

Repair Parts Manual
Manual De Repuestos
YTH22V46 / 96045006200

Please read the operator's manual carefully and make sure you understand the instructions before using the machine.

Por favor lea cuidadosamente y comprenda estas instrucciones antes de usar esta maquina.



English/Spanish

115 92 23-49 Rev. 7



HOW TO USE THIS MANUAL

This manual is designed to provide the customer with a means to identify the parts on his/her tractor when ordering repair parts. The illustrations may or may not represent the actual assemblies; therefore, it is not recommended to use this manual as a guide to assemble or disassemble the tractor. Some hardware and parts are drawn larger in order to more readily identify them.

Each tractor has its own model number. The model number for your tractor can be found on the fender under the seat.

Support / Help

If you require assistance or have questions concerning the application, operation, maintenance or parts for your product:

- Visit our website: www.husqvarna.com
- Call Us Toll Free: 1-800-487-5951

When ordering parts, always give the following information:

- Product - "TRACTOR"
- MODEL NUMBER - "YTH22V46" (96045006200)"
- Part Number
- Part Description

TABLE OF CONTENTS

SCHEMATIC	3
ELECTRICAL.....	4-5
CHASSIS	6-7
DRIVE.....	8-9
ENGINE.....	10-11
STEERING	12-13
MOWER DECK.....	14-15
MOWER LIFT.....	16
SEAT	17
DECALS.....	18

COMO UTILIZAR ESTE MANUAL

Este manual está diseñado para brindarle al comprador un medio para identificar las piezas del tractor para cuando necesite hacer el pedido de un repuesto. Las ilustraciones pueden o no representar los ensambles reales; por lo tanto, no se recomienda utilizar este manual como una guía para ensamblar o desarmar el tractor. Algunos accesorios y piezas están dibujados en tamaños más grandes para identificarlos con mayor facilidad.

Cada tractor tiene su propio número de modelo. El número de modelo del tractor se encuentra en el guardabarros debajo del asiento.

Soporte / Ayuda

Si necesita asistencia o tiene alguna pregunta acerca de la aplicación, operación, mantenimiento o piezas de su producto:

- Visite nuestro sitio web: www.husqvarna.com
- Llámenos de manera gratuita al: 1-800-487-5951

Cuando haga el pedido de una pieza, siempre brinde la siguiente información:

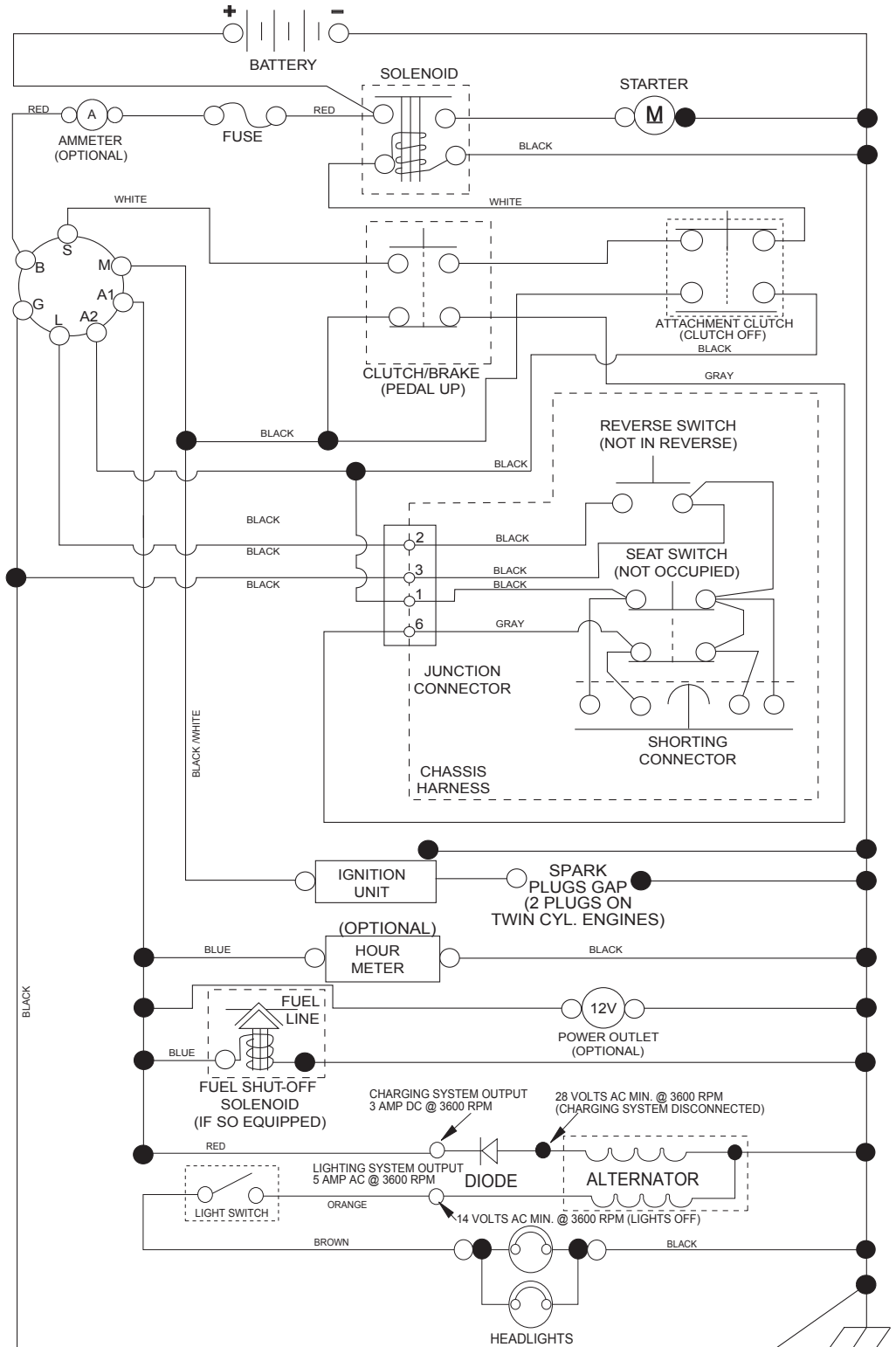
- Producto: "TRACTOR"
- NÚMERO DE MODELO: "YTH22V46" (96045006200)"
- Número de pieza
- Descripción de la pieza

ÍNDICE

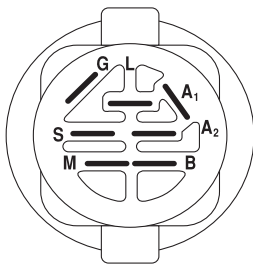
DIAGRAMA.....	19
DIAGRAMA ELÉCTRICO.....	20-21
CHASIS	22-23
TRANSMISIÓN	24-25
MOTOR.....	26-27
DIRECCIÓN	28-29
PLATAFORMA DE LA CORTADORA DE CÉSPED.....	30-31
ELEVACIÓN DE LA CORTADORA DE CÉSPED.....	32
ASIENTO.....	33
CALCOMANÍAS.....	34

TRACTOR - - MODEL NUMBER YTH22V46 (96045006200), PRODUCT NO. 960 45 00-62 SCHEMATIC

SCH11

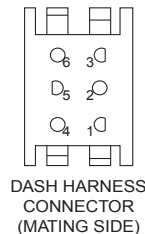
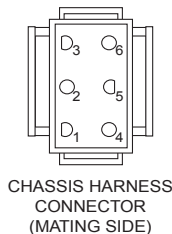


NOTE
YOUR TRACTOR IS EQUIPPED WITH A SPECIAL ALTERNATOR SYSTEM. THE LIGHTS ARE NOT CONNECTED TO THE BATTERY, BUT HAVE THEIR OWN ELECTRICAL SOURCE. BECAUSE OF THIS, THE BRIGHTNESS OF THE LIGHTS WILL CHANGE WITH ENGINE SPEED. AT IDLE THE LIGHTS WILL DIM. AS THE ENGINE IS SPEEDED UP, THE LIGHTS WILL BECOME THEIR BRIGHTEST.

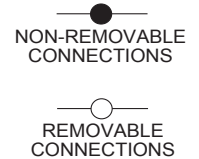


IGNITION SWITCH

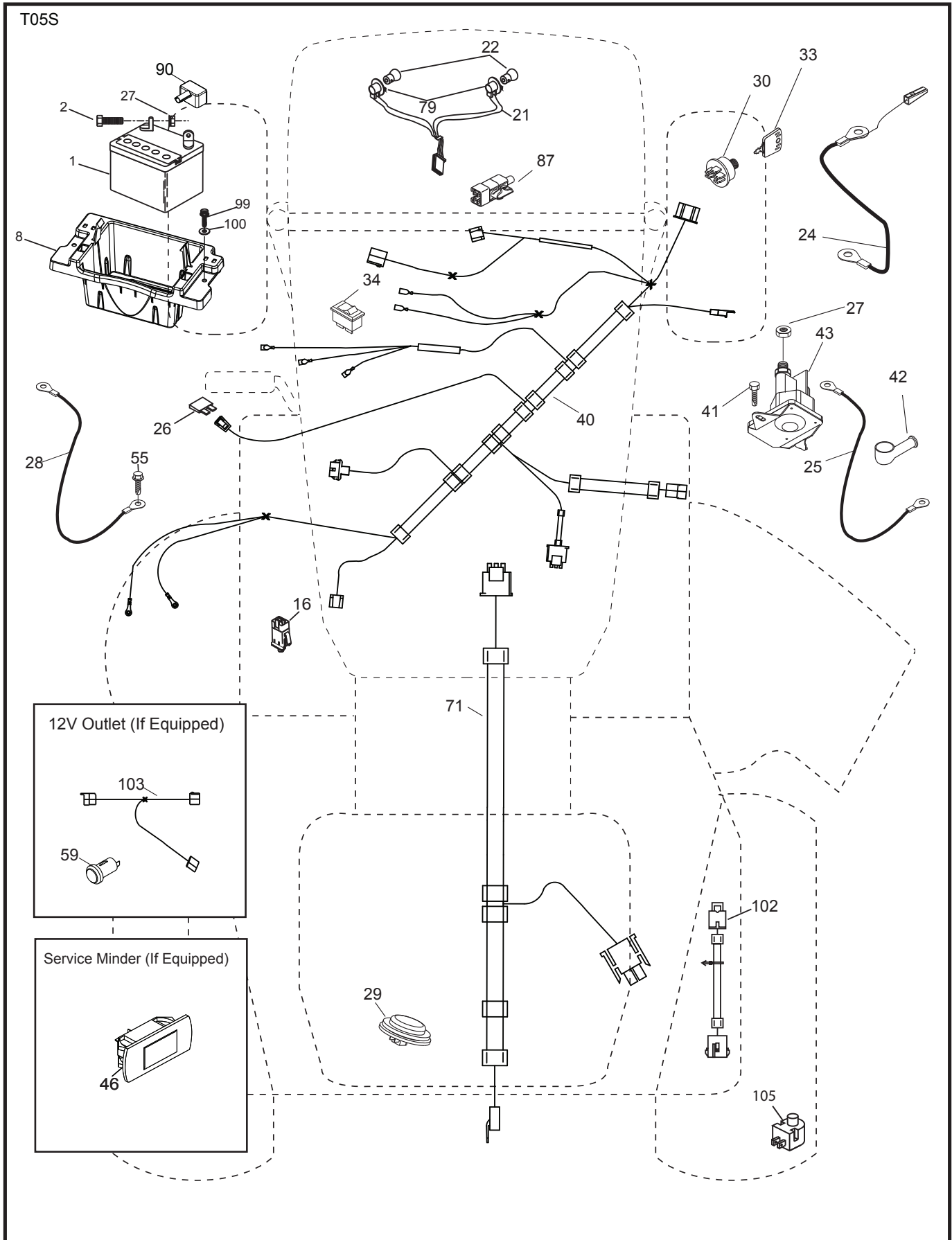
POSITION	CIRCUIT	"MAKE"
OFF	M+G+A1	
RUN/OVERRIDE	B+A1	
RUN	B+A1	L+A2
START	B + S + A1	



WIRING INSULATED CLIPS
NOTE: IF WIRING INSULATED CLIPS WERE REMOVED FOR SERVICING OF UNIT, THEY SHOULD BE RE-INSTALLED TO PROPERLY SECURE YOUR WIRING.



**TRACTOR - - MODEL NUMBER YTH22V46 (96045006200), PRODUCT NO. 960 45 00-62
ELECTRICAL**

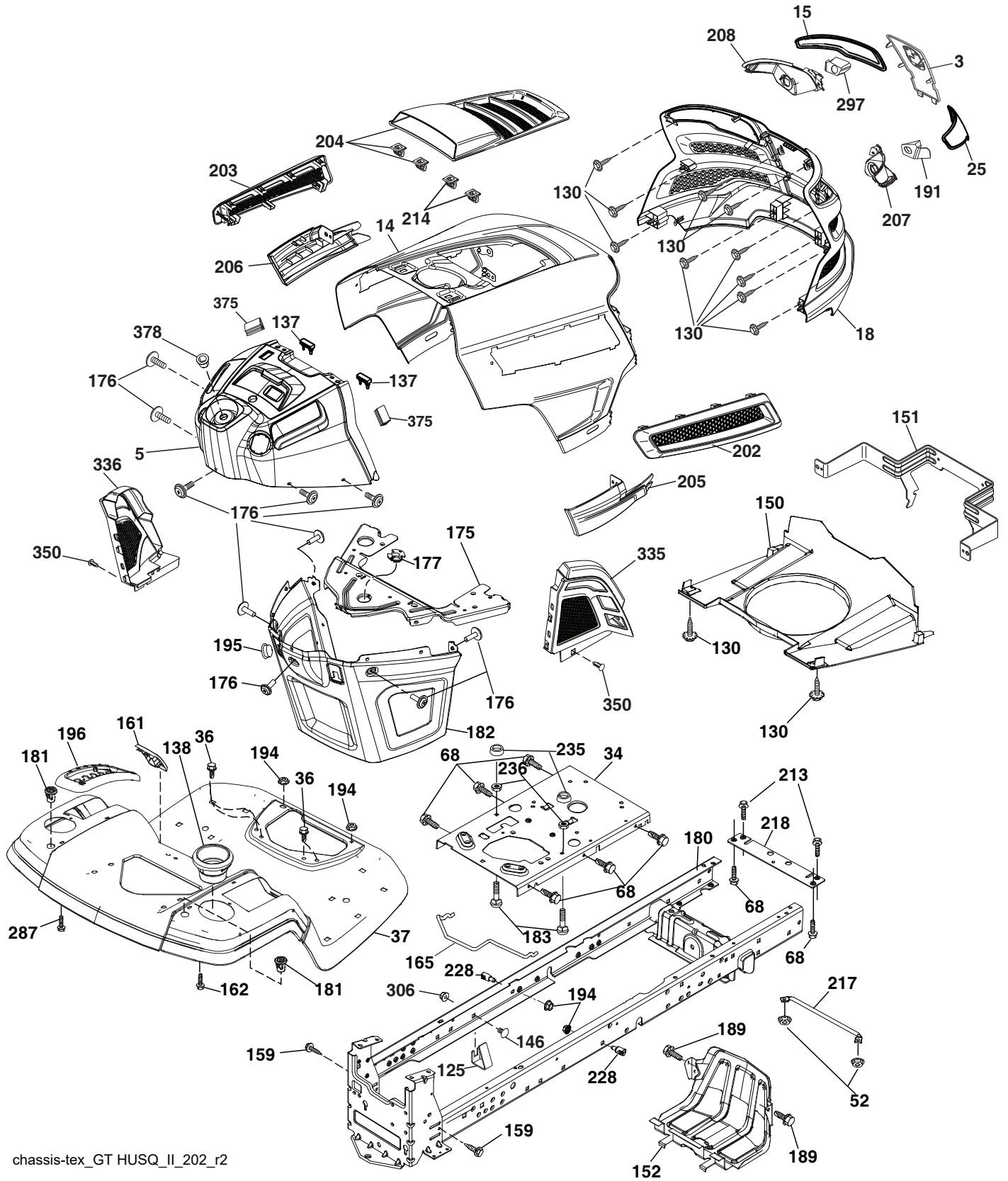


**TRACTOR - - MODEL NUMBER YTH22V46 (96045006200), PRODUCT NO. 960 45 00-62
ELECTRICAL**

KEY NO.	PART NO.	DESCRIPTION
1	532 16 34-65	Battery
2	874 76 04-12	Bolt Hex Head 1/4-20 x 3/4
8	532 41 41-26	Battery Tray
16	532 17 61-38	Switch Interlock Push-In
21	532 40 02-52	Harness Socket Light w/4152J
22	532 00 41-52	Bulb Light
24	585 55 56-01	Cable BTRY.
25	585 55 55-01	Cable Starter
26	532 17 51-58	Fuse
27	596 13 36-01	Locknut, Keps. 1/4-20
28	532 41 65-88	Cable, Ground
29	532 40 15-45	Switch, Seat
30	532 19 33-50	Switch, Ign
33	532 41 19-33	Key/Chain
34	532 11 07-12	Switch Light/Reset
40	501 13 30-01	Harness Ign. Dash
41	817 72 04-08	Screw Thd Cut 1/4-20 x 1/2
42	532 13 15-63	Cover, Terminal
43	582 04 28-02	Solenoid, W/Brass, Plunger, ZN
46	594 91 91-01	Hourmeter, Delta
55	817 06 05-12	Screw Thdrol 5/16-18 x 3/4 TYTT
71	532 19 42-76	Harness Chassis
79	532 17 52-42	Socket Asm. Bulb
87	532 19 78-02	Switch Interlock
90	532 43 53-95	Cover Terminal
99	817 67 04-12	Screw 1/4-20 x 4
100	596 13 53-01	Washer, Plain 9/32 x 7/8 Clr. Zn.
102	532 40 44-54	Harness Pigtail
105	532 40 75-68	Switch Reverse

NOTE: All component dimensions given in U.S. inches
1 inch = 25.4 mm

**TRACTOR - - MODEL NUMBER YTH22V46 (96045006200), PRODUCT NO. 960 45 00-62
CHASSIS**



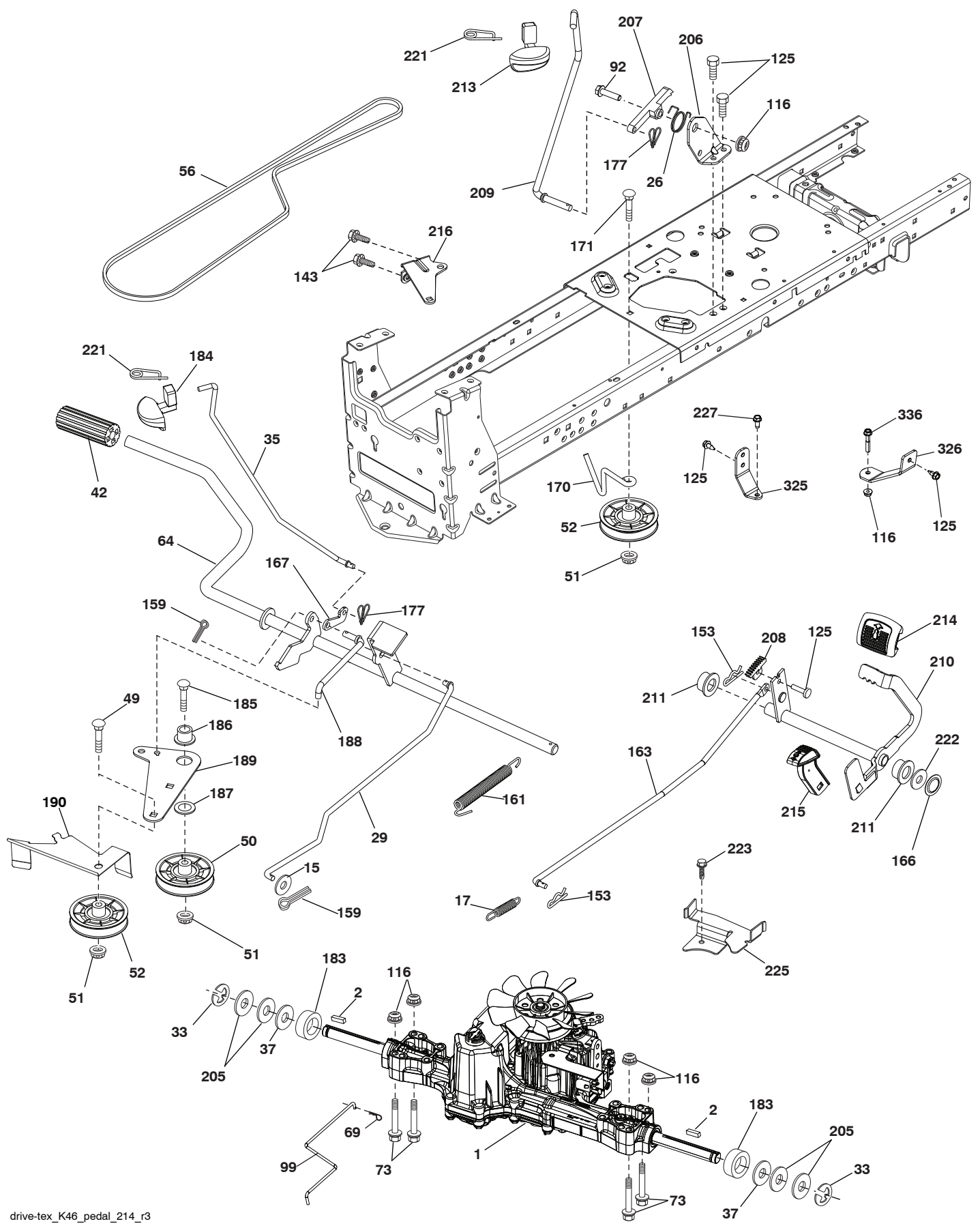
chassis-tex_GT HUSQ_II_202_r2

**TRACTOR - - MODEL NUMBER YTH22V46 (96045006200), PRODUCT NO. 960 45 00-62
CHASSIS**

KEY NO.	PART NO.	DESCRIPTION	KEY NO.	PART NO.	DESCRIPTION
3	532 44 44-81	Applique Sub Asm.	191	532 43 74-55	Insert Reflective RH
5	590 74 88-18	Dash	194	596 13 57-01	Nutlock, Prvl, Torq. 5/16-18 x .68
14	532 44 11-77	Hood	195	532 40 41-37	Plug Hole Dash Lower
15	532 43 97-33	Lens LH	196	532 43 96-47	Console Asm. Deck Lift
18	587 52 34-01	Grille	202	532 43 97-28	Vent Side Hood RH
25	532 44 33-85	Lens RH	203	532 43 97-27	Vent Side Hood LH
34	580 91 08-01	Plate Engine	204	587 48 58-01	Vent, Top, Asm.
36	817 06 05-12	Screw 5/16-18 x 3/4	205	532 43 97-30	Skirt Hood Side RH
37	532 44 12-69	Fender	206	532 43 97-29	Skirt Hood Side LH
52	596 04 05-01	Nutlock, Hex. Prvl. 5/16-18	207	587 46 48-01	Bezel RH
68	596 03 07-01	Screw, Hexagon, 5/16-18 x 1/2	208	587 46 45-01	Bezel LH
125	581 68 48-01	Clip Fuel Line	213	596 03 05-01	Bolt, Hex. Hd. 5/16-18 unc x 3/4
130	596 32 17-01	Screw, #10 x 0.750 BOS Thread	214	532 19 91-45	Clip Retainer Tinner
137	532 40 75-90	Bumper Dash	217	532 40 91-67	Rod Pivot
138	532 43 97-47	Cupholder	218	532 19 63-95	X-Piece Hood Stop
146	581 85 79-01	Bolt RDH 3/8-16 x 5/8	228	593 82 40-01	Stud, W/"D" Anti-rotation
150	532 43 97-74	Air Duct	235	596 56 42-01	Spacer, Fender, Clr. Zn
151	532 43 66-70	Bracket Pivot	236	873 93 05-00	Nut Lock 5/16-18 unc
152	532 43 98-70	Shield Browning	287	817 60 04-06	Screw 1/4-20 x 3/8
159	817 00 06-12	Screw Hexwsh Thrd 3/8-16 x 3/4	297	532 43 74-56	Insert Reflective LH
161	532 43 97-81	Fuel Window	306	873 90 06-00	Nutlock 3/8-16 unc
162	596 13 41-01	Screw, Hex. Tap. 1/4-15 x 1/2	335	532 44 82-04	Cover Lower Dash RH
165	532 19 68-26	Support Tank Rear	336	532 44 53-09	Cover Lower Dash LH
175	590 60 77-02	Crossmember	350	532 44 51-43	Clip X-mas Tree
176	532 40 07-76	Screw 10-24 x 5/8	375	586 90 82-01	Dash Clip-On Bumper
177	532 19 52-28	Bushing Steering	378	590 84 98-01	Bushing, Flange, Plastic
180	532 19 54-57	Chassis			
181	532 43 97-46	Bushing Mtg. Fender Crgo			
182	532 40 68-59	Dash Lower			
183	595 30 57-01	Screw, Hexagon, 5/16-18 x 1-1/4			
189	817 00 05-12	Screw 5/16-18 x 3/4			

NOTE: All component dimensions given in U.S. inches
1 inch = 25.4 mm

TRACTOR - - MODEL NUMBER YTH22V46 (96045006200), PRODUCT NO. 960 45 00-62 DRIVE



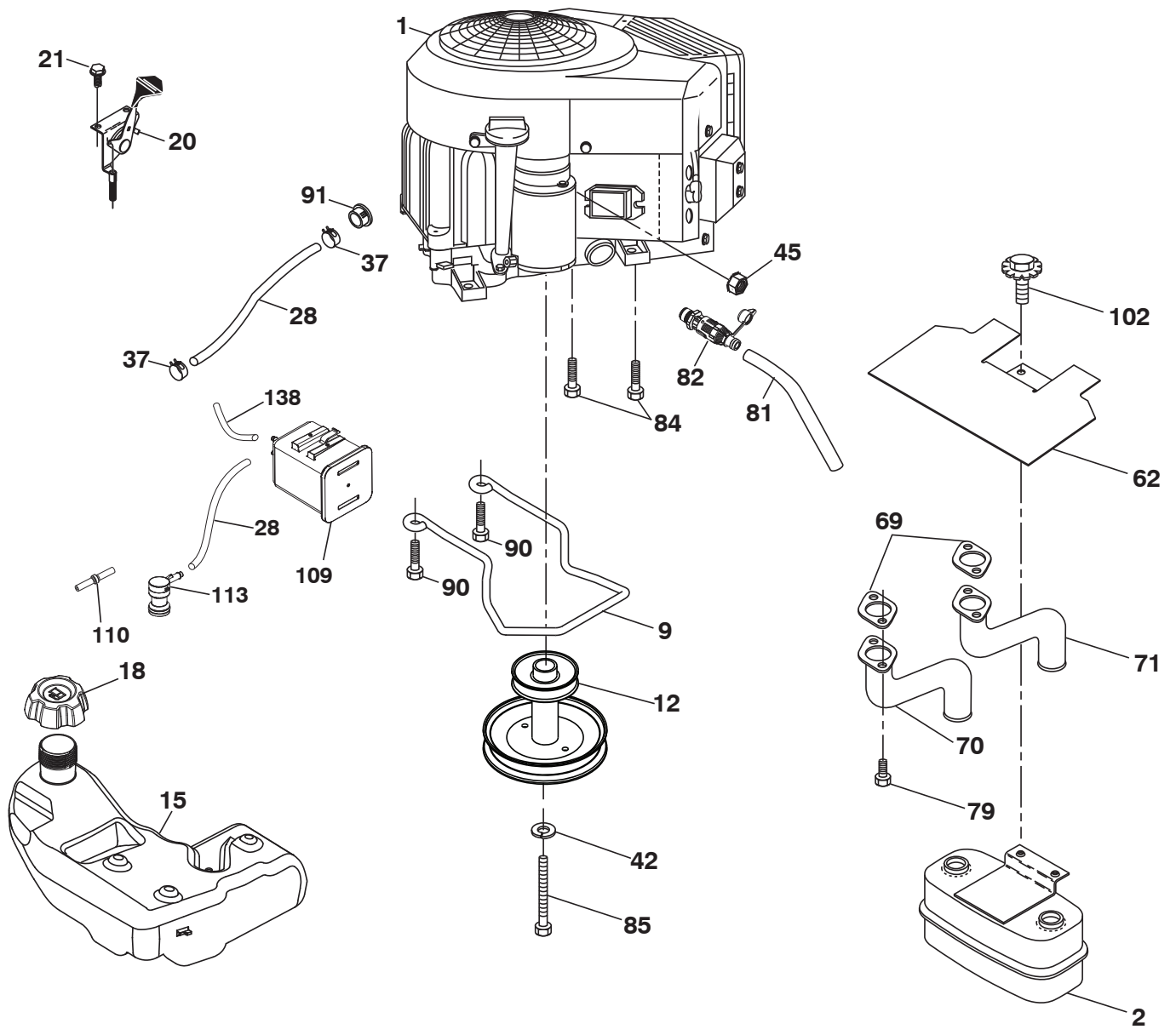
drive-tex_K46_pedal_214_r3

**TRACTOR - - MODEL NUMBER YTH22V46 (96045006200), PRODUCT NO. 960 45 00-62
DRIVE**

KEY PART NO.	PART NO.	DESCRIPTION	KEY PART NO.	PART NO.	DESCRIPTION
1	---	Transaxle, Tuff Torq K46 BT (426120) (Order parts from transaxle manufacturer.)	177	587 22 53-01	Pin, Cotter, Locking, Bowtie, 1 In.
2	532 12 35-83	Key Square	183	532 13 70-57	Spacer Axle
15	596 56 53-01	Washer, 3/8 x 0.08 in. St. Clr. Zinc	184	587 65 37-01	Handle Parking Brake
17	532 41 36-78	Spring Brake	185	872 11 06-22	Bolt Rdhd 3/8-16 unc x 2-3/4 Gr.5
26	532 19 96-79	Spring Return Cruise	186	532 19 43-21	Spacer Retainer
29	532 40 38-06	Rod Brake	187	596 13 55-01	Washer, 13/32 x 2 Clear, Zinc
33	812 00 00-01	E-Ring	188	582 21 70-01	Link Clutch Ground Drive Long
35	590 60 59-02	Rod Brake Parking	189	532 19 43-17	Bellcrank Groundrive Nstg/Nstl
37	532 18 89-67	Washer Harden .793 x 1.637 x 060	190	532 19 43-18	Keeper Bellcrank Drive Ground
42	532 00 88-83	Cover Pedal Blk Round	205	532 12 17-48	Washer 25/32 x 1-5/8 x 16 Ga.
49	596 13 62-01	Bolt, Cup Head, 3/8-16 x 3/4	206	532 44 85-96	Bracket Mount Latch Cruise
50	532 19 43-27	Idler.Flat	207	587 03 14-02	Latch, Cruisecontrol, Tex. Clr.
51	873 90 06-00	Nut Hex Flangelock 3/8-16	208	596 56 41-01	Gear
52	532 19 43-26	Idler V-Groove Offset	209	590 52 78-01	Rod Control Cruise
56	592 85 52-01	Belt Drive	210	532 40 09-80	Weldment Pedal
64	532 19 78-65	Shaft Asm. Pedal Brkt. Cntrl.	211	532 12 01-83	Bearing Nylon
69	532 42 33-03	Hairpin Zink	213	532 40 31-19	Knob Control Cruise
73	596 13 65-01	Bolt, Hex. Head, 5/16-18 x 1-1/2	214	532 42 12-63	Pedal Forward Pad
92	595 30 57-01	Screw, Hexagon, 5/16-18 x 1-1/4	215	586 60 65-02	Cap Pedal Reverse
99	582 40 45-01	Rod Bypass	216	532 19 61-31	Bracket Pulley Idler
116	596 13 57-01	Nutlock, Prvl. Torq. 5/16-18 x .68	221	532 40 31-87	Retainer Spring Clip Handle
125	817 00 05-12	Screw 5/16-18 x 3/4 Smgml Tap/Bl	222	879 21 20-10	Washer 21/32 x 1-1/4 10 Ga.
143	596 03 07-01	Screw, Hexagon, 5/16-18 x 1/2	223	598 66 26-01	Bolt, T45, 5/16-18x .75m Hexhd, Blk
153	532 00 44-97	Retainer Spring	225	532 40 33-19	Keeper Belt
159	596 02 95-01	Pin, Cotter, 1/8 Dia. x 3/4	227	596 13 59-01	Bolt, Hex. 5/16-18 x 3/4 Clr. Znc.
161	532 10 57-09	Spring Return Clutch 6.75	325	585 66 85-02	Bracket Tire LH
163	593 86 10-01	Rod, Control, K46/K57R	326	585 67 08-02	Bracket Tire RH
166	532 42 91-64	Nut Push .625	336	596 13 57-01	Nutlock, Prvl, Torq. 5/16-18 x .68
167	532 40 52-57	Latch Brake Parking			
170	532 19 43-22	Keeper V-Idler Center Span			
171	596 13 63-01	Bolt, Cup Head, 3/8-16 x 2			

NOTE: All component dimensions given in U.S. inches
1 inch = 25.4 mm

TRACTOR - - MODEL NUMBER YTH22V46 (96045006200), PRODUCT NO. 960 45 00-62
ENGINE



SPARK ARRESTER KIT

engine-tex_bs-2cyl_177

**TRACTOR - - MODEL NUMBER YTH22V46 (96045006200), PRODUCT NO. 960 45 00-62
ENGINE**

KEY NO.	PART NO.	DESCRIPTION
1	— — — — —	Engine B&S Model No. 44N677-0005-G1 (587639101)(Order parts from engine manufacturer.)
2	589 81 87-01	Muffler
9	501 83 26-02	Keeper Belt Engine
12	586 72 89-01	Pulley Engine
15	598 70 33-01	Fuel, Tank, Asm. 3 Gal. Svc Carb 19-2
18	599 50 22-01	Fuel, Cap, Asm. 3" W/Grease
20	532 42 35-02	Control Throttle
21	596 32 17-01	Screw, #10 x 0.750 BOS Thread
28	532 40 11-37	Fuel Line
29	532 13 71-80	Spark Arrester Kit
37	532 12 34-87	Clamp Hose
42	596 23 89-01	Washer, 7/16 in. Clr. Zn
45	596 13 36-01	Locknut, Keps. 1/4-20
62	532 43 40-17	Shield Heat Muffler
69	532 16 53-91	Gasket
70	581 88 11-01	Tube Exhaust LH
71	581 88 10-01	Tube Exhaust RH
79	596 13 42-02	Screw, Hex. Socket, 5/16-18 x 1 Clr. Zn
81	532 14 84-56	Tube Drain Oil Easy
82	532 42 82-87	Valve Oil Drain
84	817 06 06-20	Screw 3/8-16 x 1
85	501 60 65-01	Bolt Hex 7/16-20 x 4 Gr. 5-1.5
90	817 00 06-16	Screw 3/8-16 x 1
91	532 18 74-95	Bushing
102	817 00 05-12	Screw 5/16-18 x 3/4
109	532 41 41-14	Canister Carbon Filter
110	532 41 41-18	Valve Asm. Anti-Slosh
113	532 41 41-27	Valve Slant Cartrdg.
138	596 94 15-01	Tube, Purge, Fuel .1875"

NOTE: All component dimensions given in U.S. inches
1 inch = 25.4 mm

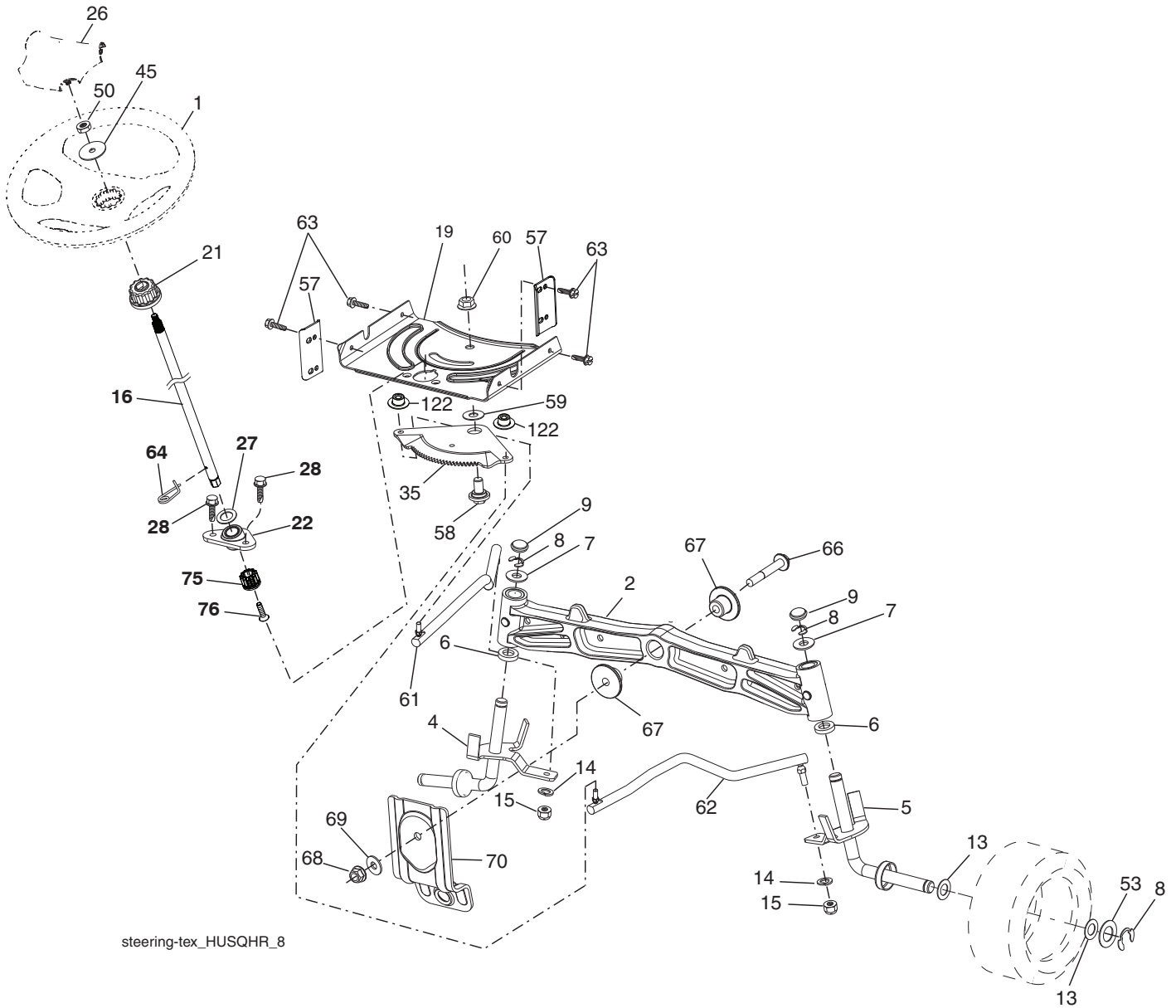
For engine service and replacement parts, call the toll free number for your engine manufacturer listed below:

Briggs & Stratton 1-800-233-3723

Engine Power Rating Information

The gross power rating for individual gas engine models is labeled in accordance with SAE (Society of Automotive Engineers) code J1940 (Small Engine Power & Torque Rating Procedure), and rating performance has been obtained and corrected in accordance with SAE J1995 (Revision 2002-05). Torque values are derived at 3060 RPM; horsepower values are derived at 3600 RPM. Actual gross engine power will be lower and is affected by, among other things, ambient operating conditions and engine-to-engine variability. Given both the wide array of products on which engines are placed and the variety of environmental issues applicable to operating the equipment, the gas engine will not develop the rated gross power when used in a given piece of power equipment (actual "on-site" or net power). This difference is due to a variety of factors including, but not limited to, accessories (air cleaner, exhaust, charging, cooling, carburetor, fuel pump, etc.), application limitations, ambient operating conditions (temperature, humidity, altitude), and engine-to-engine variability. Due to manufacturing and capacity limitations, Briggs & Stratton may substitute an engine of higher rated power for this Series engine.

**TRACTOR - - MODEL NUMBER YTH22V46 (96045006200), PRODUCT NO. 960 45 00-62
STEERING ASSEMBLY**



steering-tex_HUSQHR_8

**TRACTOR - - MODEL NUMBER YTH22V46 (96045006200), PRODUCT NO. 960 45 00-62
STEERING ASSEMBLY**

KEY NO.	PART NO.	DESCRIPTION
1	532 43 97-40	Wheel, Steering
2	532 19 59-68	Axle Cast Iron
4	532 40 30-87	Spindle Asm., LH
5	532 40 30-88	Spindle Asm., RH
6	532 00 62-66	Washer, Thrust .75 x 1.230
7	532 12 17-48	Washer 25/32 x 1-5/8 x 16 Ga.
8	812 00 00-29	Ring, Klip #T5304-75
9	532 12 12-32	Cap, Spindle
13	532 12 17-49	Washer 25/32 x 1-1/4 x 16 Ga.
14	596 23 87-01	Washer, Spring, Lock, .381 ID x .680
15	873 54 06-00	Nut, Crown Lock 3/8-24 unf
16	587 01 60-02	Steering Shaft
19	532 19 47-29	Plate Steering
21	586 84 02-01	Adapter Wheel Steering
22	585 02 98-02	Bearing
26	532 43 97-43	Insert, Wheel Steering
27	596 93 34-01	Washer, Plain
28	817 00 06-12	Screw 3/8-16 x 3/4
35	532 19 47-32	Gear, Sector Plate
45	587 01 64-01	Washer 3/8 ID 2-3/8 OD 12 Ga. PLTD
50	873 90 06-00	Nut Lock Flg 3/8-16 unc
53	532 18 89-67	Washer Hardened .793 x 1.637 x .060
57	532 40 74-65	Bracket Upstop
58	532 19 47-47	Bolt Shoulder Sector Pivot CFM
59	532 19 47-48	Washer Thrust Sector Steering
60	873 97 10-00	Nut Flange Lock 5/8-11
61	532 19 47-40	Draglink, LH
62	532 19 47-41	Draglink, RH
63	817 00 05-12	Screw 5/16-18 x 3/4
64	532 19 98-49	Retainer Clip Spring Steering
66	871 02 07-48	Bolt Hex Fghd 7/16-14 x 3 Serr
67	532 19 47-37	Bushing PM Front Axle
68	873 90 07-00	Nut Lock Flange 7/16-14 Gr. 5
69	532 19 91-62	Washer 1.5 x .505 x .118
70	585 33 88-01	Bracket Deck Susp. Front
75	580 68 37-01	Pinion
76	580 68 36-01	Screw Head Sock
122	532 44 49-62	Cap Gear

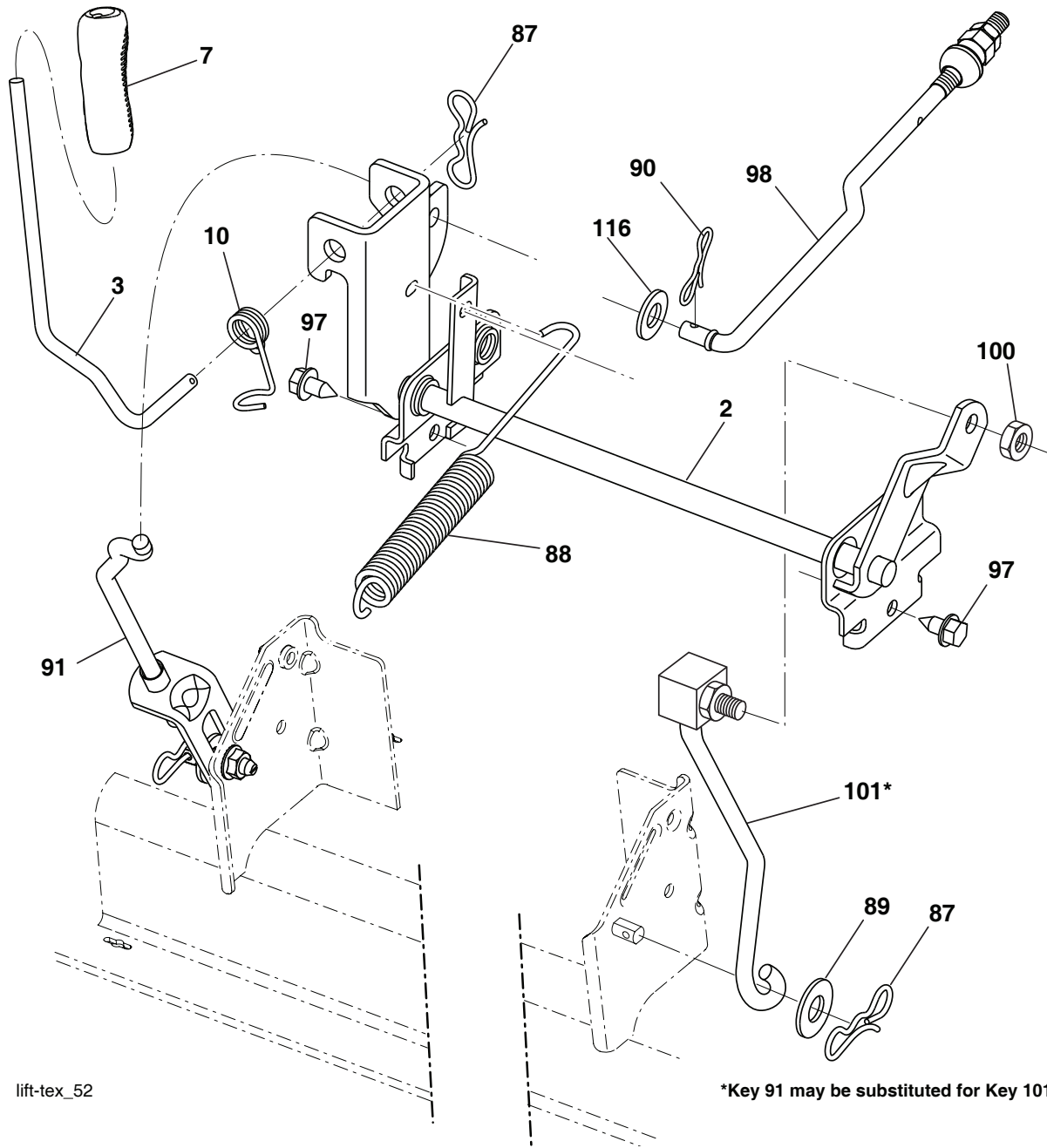
NOTE: All component dimensions given in U.S. inches
1 inch = 25.4 mm

TRACTOR - - MODEL NUMBER YTH22V46 (96045006200), PRODUCT NO. 960 45 00-62 MOWER DECK

KEY PART NO.	NO.	DESCRIPTION	KEY PART NO.	NO.	DESCRIPTION
1	586 35 23-01	Kit, SVC, Weldment	64	532 40 51-38	Linkage Brake
2	532 40 55-06	Cover Mandrel RH	67	532 40 30-12	Handle, Clutch Cable
3	532 40 55-07	Cover Mandrel LH	68	532 40 51-43	V-Belt
4	596 03 05-01	Bolt, Hex. Hd. 5/16-18 unc x 3/4	69	596 13 64-01	Bolt, Cup Head, 5/16-18 x 5/8
6	532 19 51-86	Arm Suspension	70	532 19 99-72	Clutch Asm. Cable
7	596 32 17-01	Screw, #10 x 0.750 BOS Thread	113	817 00 05-10	Screw 5/16-18
11	532 40 53-80	Blade Mower Hi Lift	116	596 43 44-04	Bolt, Shoulder, 3/8-16 x 3-5/8"
12	584 30 93-01	Screw Sems 7/16-20 x 1	117	589 52 73-01	Wheel, Gauge
14	587 81 97-01	Kit, Mandrel, Nongrease, Tall (includes shaft and bolt)	119	596 13 49-01	Washer, Plain 3/8 x 7/8
19	532 19 65-39	Bolt, Shoulder	122	532 19 72-58	Keeper Belt Eng. LH
21	596 04 05-01	Nutlock, Hex. Prvl. 5/16-18	123	532 19 72-59	Keeper Belt Eng. RH
23	532 19 25-57	Bracket, Deflector	144	532 19 92-04	Keeper Belt
24	532 10 53-04	Cap, Sleeve	145	532 19 31-97	Pulley Idler
25	532 19 70-26	Spring, Torsion, Deflector	147	532 40 18-72	Spring Return
26	532 11 04-52	Nut, Push	152	584 24 35-01	Cable Clutch Manual w/Spr.
27	532 40 53-57	Shield, Deflector	188	593 82 40-01	Stud, W/"D" Anti-rotation
29	595 29 70-01	Rod, Hinge	189	596 13 57-01	Nutlock, Prvl. Torq. 5/16-18 x .68
32	532 19 74-73	Pulley, Mandrel	195	817 00 06-12	Screw 3/8-16 x 3/4
33	596 13 48-01	Nut, Hex. 9/16-18 x 1.010	197	596 13 32-01	Washer 13/32 x 13/16 x 12 Ga.
34	596 13 61-01	Bolt, Cup Head, 3/8-16 x 1-1/2"	198	532 40 31-49	Baffle Center Front
36	532 19 73-79	Pulley, Idler, Flat	199	532 40 31-50	Baffle Front RH
37	596 56 53-01	Washer, 3/8 x 0.08 in. St. Clr. Zinc	200	532 41 35-24	Washer 13/32 x 1 x 1/2 11 Ga.
38	589 67 61-02	Keeper Belt Mandrel	240	874 52 06-36	Bolt 3/8-16 unc x 2-1/4 Gr. 5
40	873 90 06-00	Nut, Lock Flg. 3/8-16 unc	241	532 15 29-27	Screw
41	584 95 39-01	Bolt Hex 3/8-18 x 1.19	242	532 41 55-98	Washout Port
42	532 19 84-10	Spring Torsion Brake	256	596 23 84-01	Bolt, Carr. 1/4-20 x 3/4 Gr. 5 Clrzn
43	532 19 72-56	Spring Torsion Retainer	257	873 90 04-00	Nut Hex Flange 1/4-20 unc
46	532 13 77-29	Screw THD, Roll, 1/4-20 x 5/8	261	589 48 18-05	Plate Reinf Front
47	532 19 72-50	Bracket Clutch Cable	262	589 48 20-05	Plate Reinf Side
55	532 19 72-49	Arm, Idler	--	532 41 64-05	Quick Connect Coupling
56	532 19 90-92	Spacer, Retainer	--	586 05 90-01	Replacement Mower, Complete
57	817 00 06-16	Screw Hexwsh Thd 3/8-16 x 1			
59	532 14 10-43	Guard, Tuv Idler (94)			
60	532 19 94-71	Arm Brake Mower LH			
63	532 19 94-77	Arm Brake Mower			

NOTE: All component dimensions given in U.S. inches
1 inch = 25.4 mm

**TRACTOR - - MODEL NUMBER YTH22V46 (96045006200), PRODUCT NO. 960 45 00-62
MOWER LIFT**

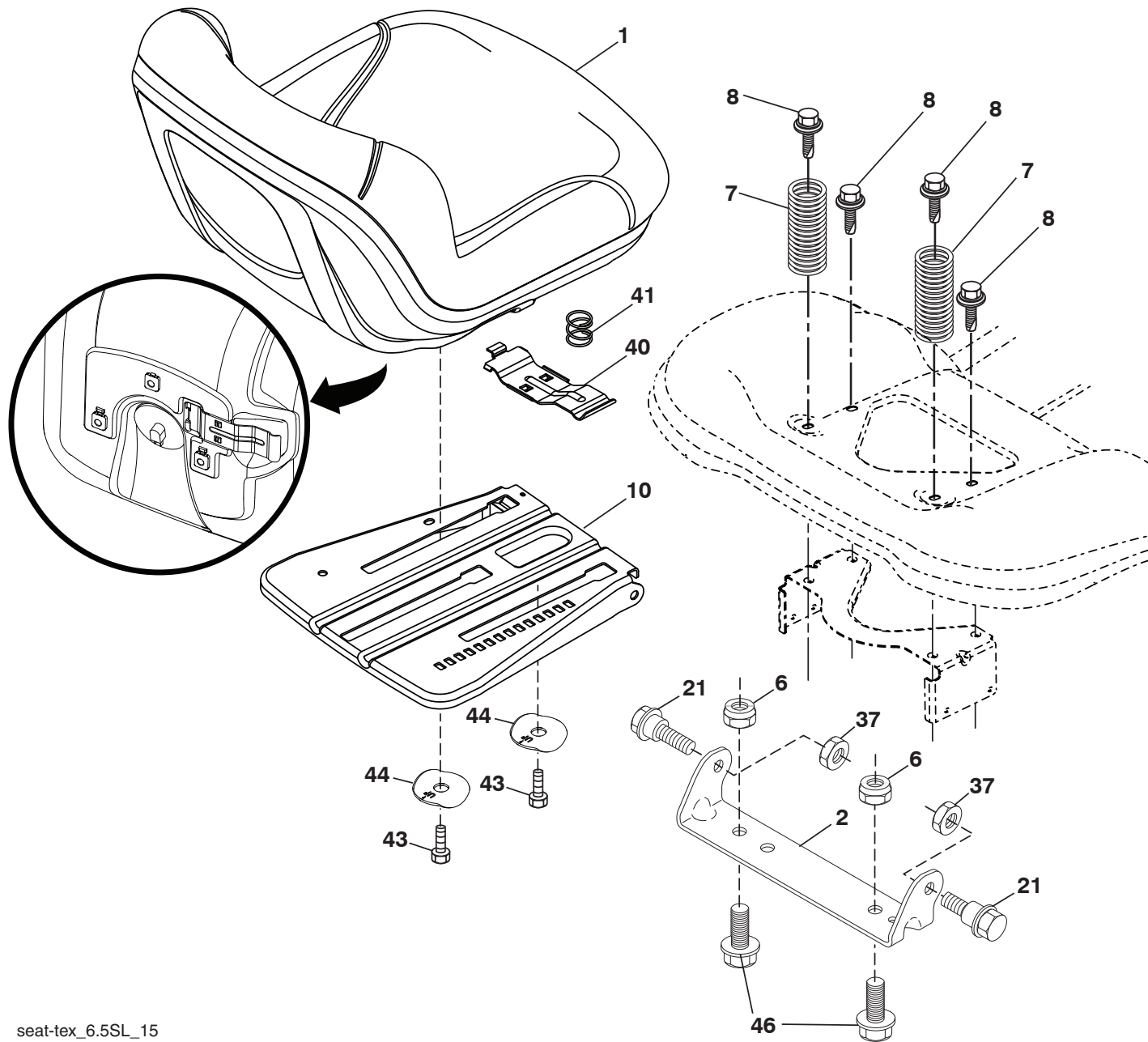


KEY NO.	PART NO.	DESCRIPTION
2	532 42 20-27	Shaft Asm., Lift
3	594 01 80-01	Handle Liftlever, Lt, Std, Wide
7	580 96 23-01	Grip, Lever
10	532 19 63-14	Spring Torsion
87	532 19 42-09	Pin Cotter 7/16 Bow Tie Lock
88	532 41 07-10	Spring Lift Assist
89	819 19 19-12	Washer Clear Zinc
90	532 19 42-08	Pin Cotter 5/16 Bow Tie Lock
91	589 46 48-03	Link, Assy. Lift, Rear

KEY NO.	PART NO.	DESCRIPTION
97	817 00 06-12	Screw 3/8-16 x .75 Smgml Tap/R.Z
98	581 50 69-03	Link, Assy. Mwr. Front, Suspension
100	595 30 59-01	Nut, Hex. Locknut, 3/8-16
101	532 40 70-03	Link Asm. Fixed
116	594 97 65-01	Washer, Round 15/32 x 15/16 x .065

NOTE: All component dimensions given in U.S. inches
1 inch = 25.4 mm

**TRACTOR - - MODEL NUMBER YTH22V46 (96045006200), PRODUCT NO. 960 45 00-62
SEAT ASSEMBLY**



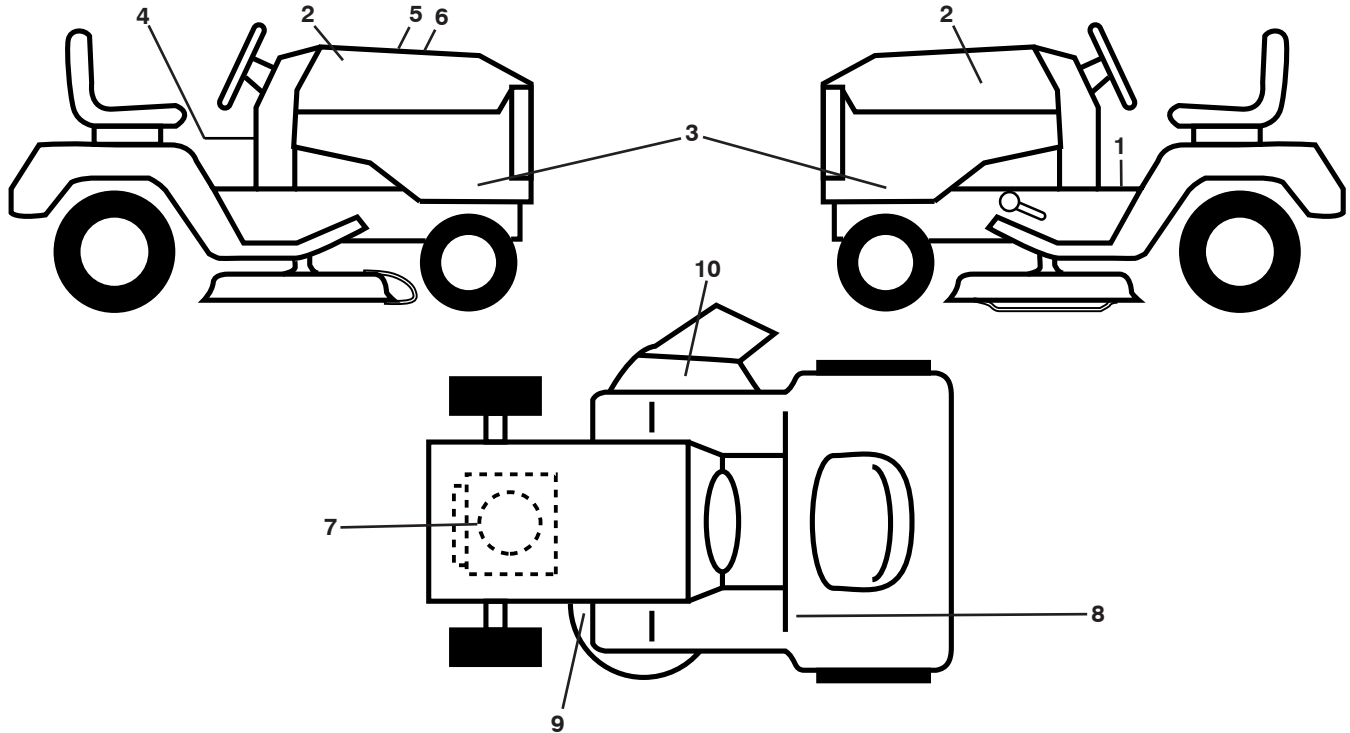
seat-tex_6.5SL_15

KEY NO.	PART NO.	DESCRIPTION
1	532 43 98-22	Seat
2	532 18 01-66	Bracket Pivot Fender
6	873 80 06-00	Nut, Lock w/Ins. 3/8-16 unc
7	589 48 35-01	Spring, Seat Cprsn
8	532 17 18-77	Bolt 5/16-18 unc x 3/4 w/Sems
10	596 65 74-02	Plate, Seat
21	587 90 78-01	Bolt, Shoulder 5/16-18 x 5/8
37	596 58 37-02	Nut 5/16-18 Nyloc. Blk. Zinc

KEY NO.	PART NO.	DESCRIPTION
40	595 08 81-02	Handle, Seat, Slide, E-Dip, x 431
41	532 19 82-00	Spring Latch Seat
43	874 76 06-12	Bolt Fin Hex 3/8-16 unc x 3/4
44	501 05 18-01	Washer Winged 3/8 ID 1.5 OD
46	588 09 04-01	Bolt 3/8-16 x 1, 1.25 OD Wshr

NOTE: All component dimensions given in U.S. inches
1 inch = 25.4 mm

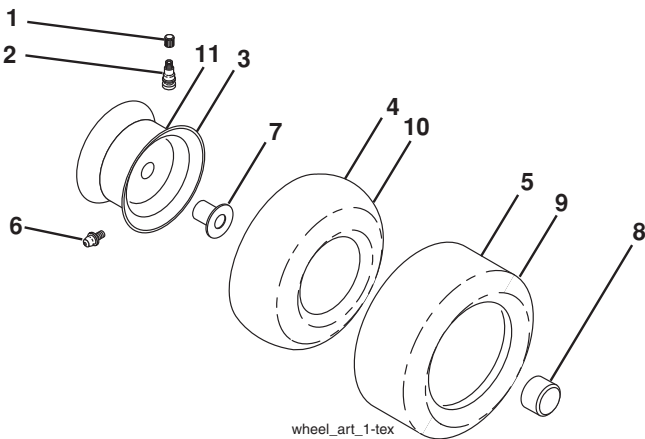
**TRACTOR - - MODEL NUMBER YTH22V46 (96045006200), PRODUCT NO. 960 45 00-62
DECALS**



KEY NO.	PART NO.	DESCRIPTION
1	581 57 87-01	Decal, Fender Warning
2	581 62 73-01	Decal, Hood
3	581 59 42-01	Decal, Panel SD
4	596 02 42-01	Decal, Warning Spark Arrestor
5	532 42 38-29	Decal, Customer Respons.
6	501 70 91-01	Decal, Replacement
7	585 55 69-01	Decal, Engine
8	580 88 58-01	Decal, E85 Warning
9	581 58 00-01	Decal, Mower V-Belt Schematic

KEY NO.	PART NO.	DESCRIPTION
10	584 90 46-01	Decal, Deflect. Warning
--	581 72 48-01	Decal, Bypass
--	532 43 96-81	Pad, Footrest, LH
--	532 43 96-82	Pad, Footrest, RH
--	115 92 22-49	Manual, Operator's (English/Spanish)
--	115 92 23-49	Manual, Parts (English/Spanish)
--	587 71 00-26	Manual, Quick Start Guide (English/Spanish)

WHEELS AND TIRES

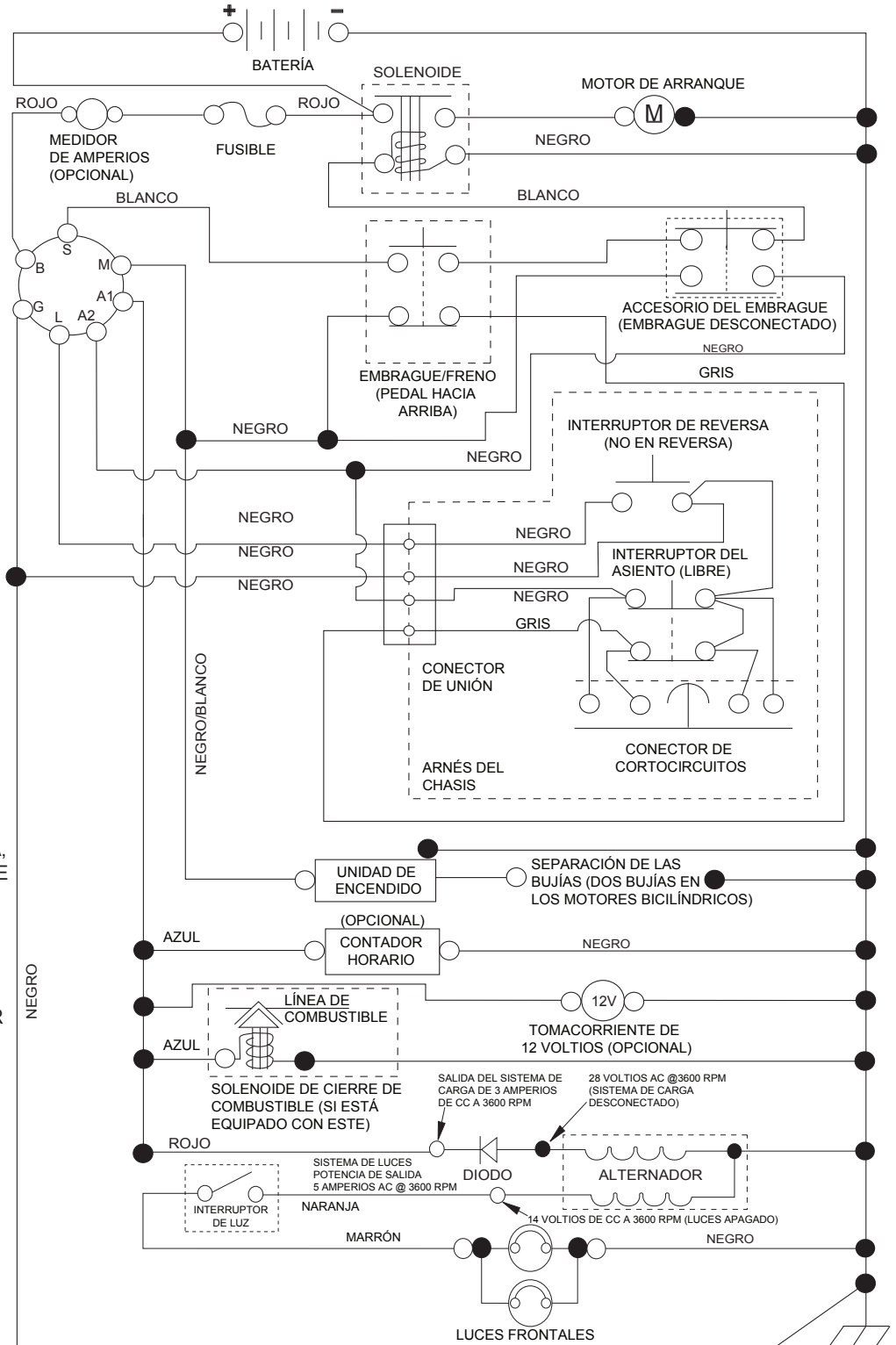


KEY NO.	PART NO.	DESCRIPTION
1	532 05 91-92	Cap Valve Tire
2	532 06 51-39	Stem Valve
3	532 13 83-36	Rim Front
4	532 05 99-04	Tube Front (Service Item Only)
5	532 10 62-22	Tire Front 15 x 6-6
6	532 00 02-78	Fitting Grease (Front Wheel Only)
7	532 00 90-40	Bearing Flange (Front Wheel Only)
8	532 17 50-39	Cap Axle Blk 1 50 x 1 00
9	532 13 84-68	Tire Rear 20 x 8-8
10	532 00 71-52	Tube Rear (Service Item Only)
11	532 13 83-37	Rim Asm 8" Rear
--	532 14 43-34	Sealant, Tire (10 oz. Tube)

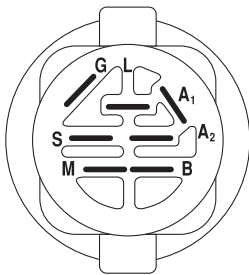
NOTE: All component dimensions given in U.S. inches
1 inch = 25.4 mm

TRACTOR MODELO NO. YTH22V46 (96045006200), PRODUCTO NO. 960 45 00-62 DIAGRAMA

SCH11-s

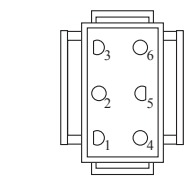


NOTAS:
QUE SU TRACTOR ES EQUIPADO CON UN SISTEMA ESPECIAL DE ALTERNADOR. LAS LUCES NO SON CONECTADAS A LA BATERIA, PERO TIENEN SU PROPIA FUENTE ELECTRICA. A CAUSA DE ESTO, EL BRILLO DE LAS LUCES CAMBIARA CON LA VELOCIDAD DE MOTOR. EN LENTO, LAS LUCES NO SON COMO BRILLANTES. CUANDO EL MOTOR ES ACCELERADO, LA LUZ CONSEGUIRÁ MÁS BRILLANTE.

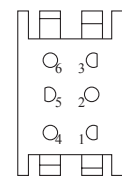


INTERRUPTOR DE ENCENDIDO

POSICIÓN	CIRCUITO «MARCA»
APAGADO	M+G+A1
PONER EN FUNCIONAMIENTO/ANULAR	B+A1
PONER EN FUNCIONAMIENTO	B+A1 L+A2
ARRANCAR	B + S + A1



CONEXIÓN DEL ARNÉS DEL CHASIS (LATERAL QUE COINCIDA)



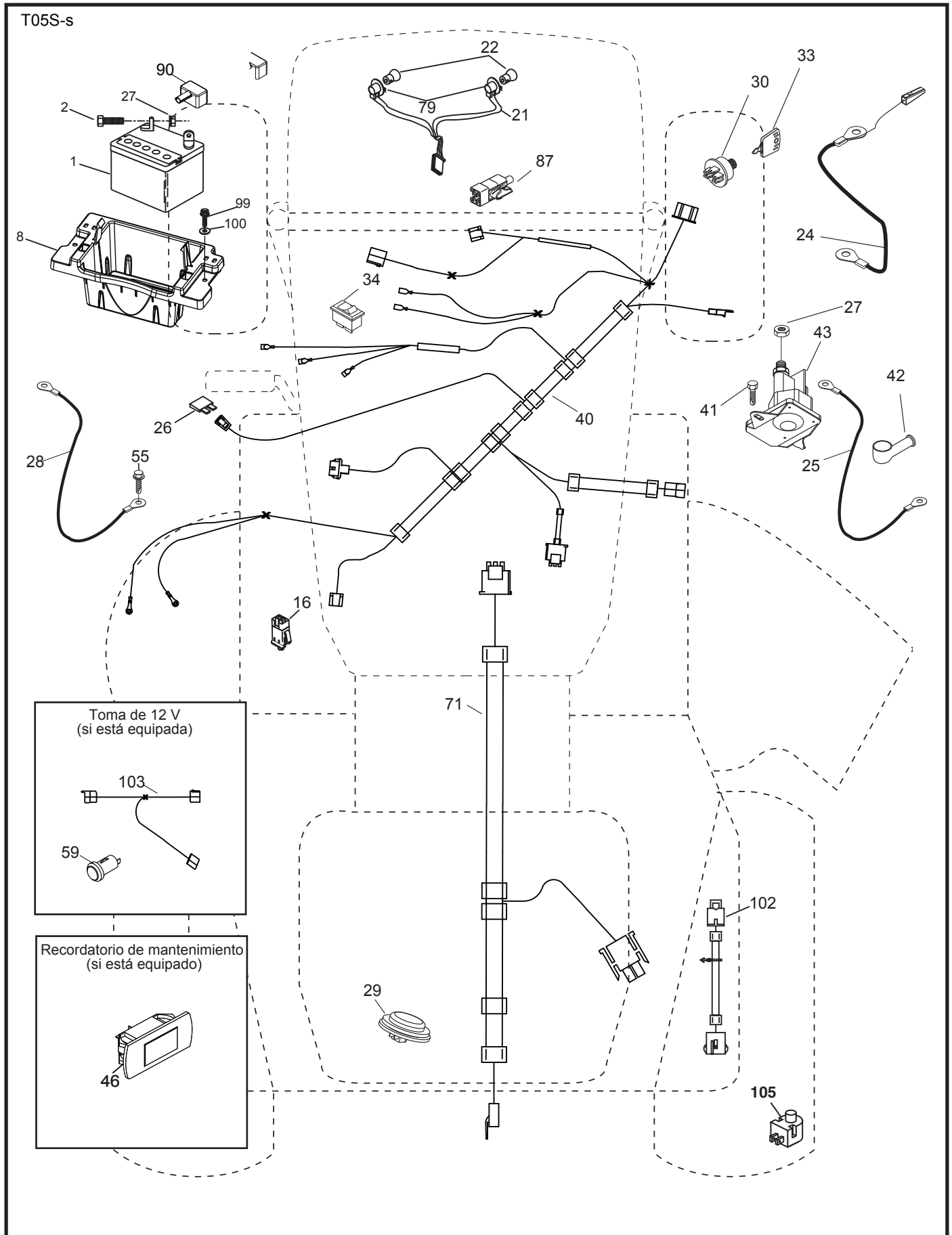
CONEXIÓN PARA EL ARNÉS DEL TABLERO (LATERAL QUE COINCIDA)

NOTA SOBRE LAS ABRAZADERAS DE AISLAMIENTO DEL CABLEADO: SI SE QUITAN LAS ABRAZADERAS DE AISLAMIENTO DEL CABLEADO PARA HACER EL MANTENIMIENTO DE LA UNIDAD, SE LAS DEBERÁ INSTALAR NUEVAMENTE PARA PROTEGER EL CABLEADO ADECUADAMENTE.

● CONEXIONES NO DESMONTABLES

○ CONEXIONES DESMONTABLES

TRACTOR MODELO NO. YTH22V46 (96045006200), PRODUCTO NO. 960 45 00-62
DIAGRAMA ELÉCTRICO

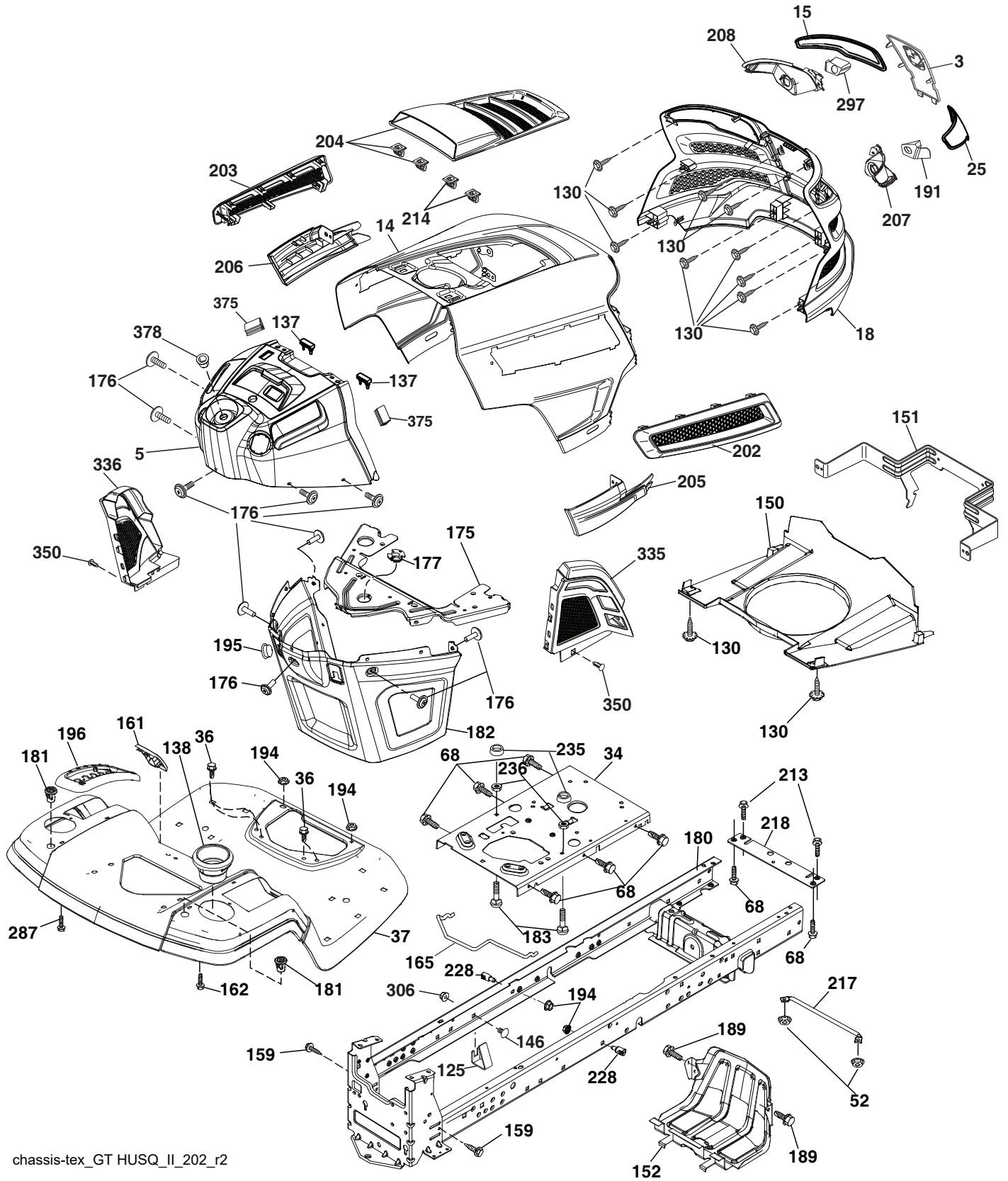


**TRACTOR MODELO NO. YTH22V46 (96045006200), PRODUCTO NO. 960 45 00-62
DIAGRAMA ELÉCTRICO**

CÓDIGO No.	PIEZA No.	DESCRIPCIÓN
1	532 16 34-65	Batería
2	874 76 04-12	Perno de cabeza hexagonal de 1/4-20 x 3/4
8	532 41 41-26	Caja de la batería
16	532 17 61-38	Interruptor corta corriente a presión
21	532 40 02-52	Cableado del enchufe para la luz c/4152J
22	532 00 41-52	Bombilla de luz
24	585 55 56-01	Cable de batería
25	585 55 55-01	Cable
26	532 17 51-58	Fusible
27	596 13 36-01	Tuerca de 1/4-20
28	532 41 65-88	Cable a tierra
29	532 40 15-45	Interruptor del asiento
30	532 19 33-50	Interruptor de encendido
33	532 41 19-33	Llave/cadena
34	532 11 07-12	Interruptor de luz/de restauración
40	501 13 30-01	Cableado del tablero de encendido
41	817 72 04-08	Tornillo
42	532 13 15-63	Cubierta de la terminal
43	582 04 28-02	Solenoide
46	594 91 91-01	Indicador HRMTR
55	817 06 05-12	Tornillo de 5/16-18 x 3/4
71	532 19 42-76	Cableado de Chasis
79	532 17 52-42	Enchufe de cierre por torsión del ensamble de la bombilla
87	532 19 78-02	Interruptor corta corriente del cable de embrague
90	532 43 53-95	Tapa de los bornes de la batería
99	817 67 04-12	Tornillo 1/4-20 x 4
100	596 13 53-01	Arandela de 9/32 x 7/8
102	532 40 44-54	Cableado
105	532 40 75-68	Interruptor

NOTA: Las dimensiones de todos los componentes están expresadas en pulgadas americanas. 1 pulgada = 25,4 mm

TRACTOR MODELO NO. YTH22V46 (96045006200), PRODUCTO NO. 960 45 00-62
CHASIS



chassis-tex_GT HUSQ_II_202_r2

**TRACTOR MODELO NO. YTH22V46 (96045006200), PRODUCTO NO. 960 45 00-62
CHASIS**

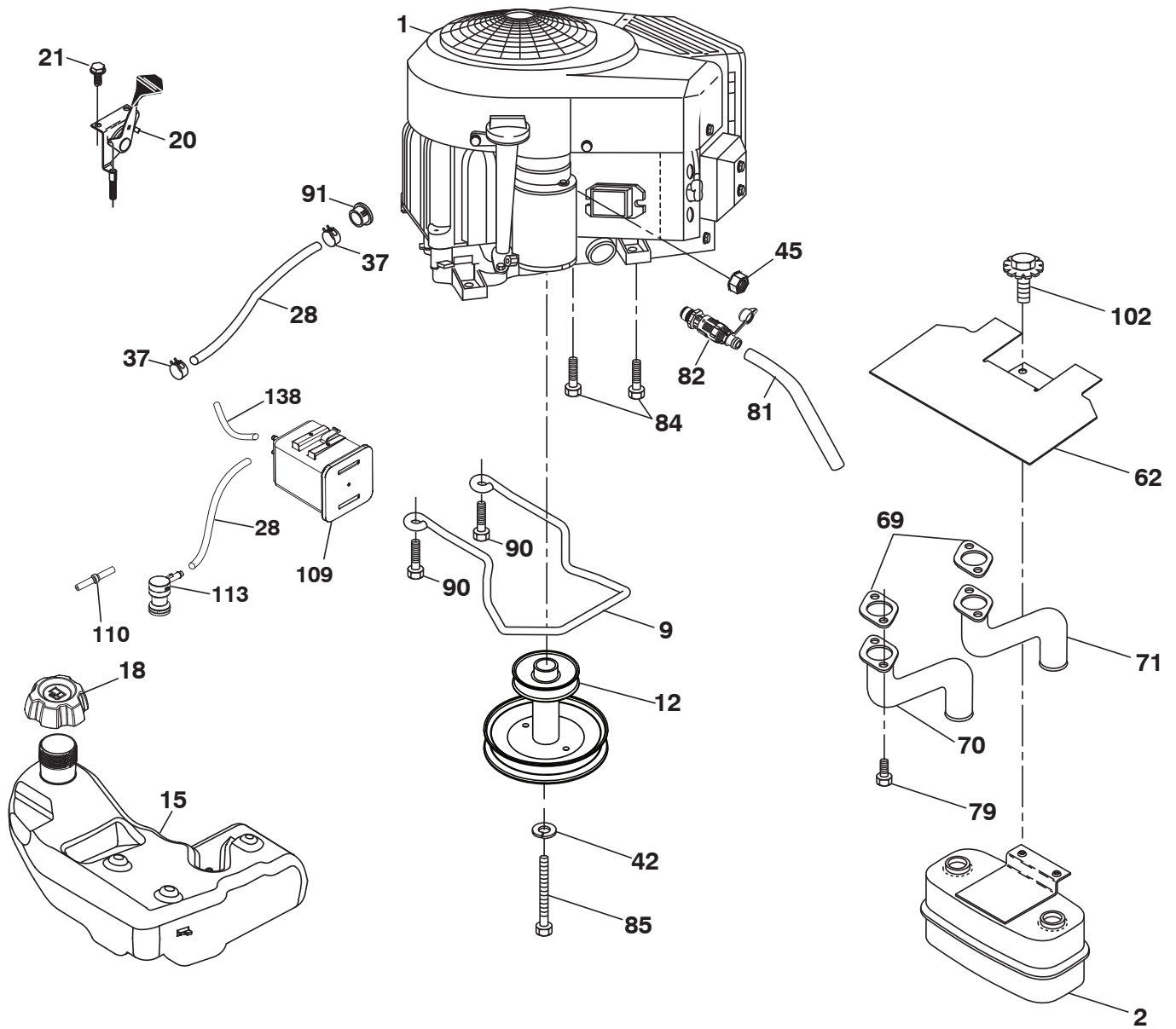
CÓDIGO PIEZA		DESCRIPCIÓN	CÓDIGO PIEZA		DESCRIPCIÓN
No.	No.		No.	No.	
3	532 44 44-81	Aplica Submontaje	191	532 43 74-55	Inserto LD
5	590 74 88-18	Tablero	194	596 13 57-01	Tuerca de presión de 5/16-18 x .68
14	532 44 11-77	Capota	195	532 40 41-37	Tapón
15	532 43 97-33	Lente izquierdo de la parrilla	196	532 43 96-47	Ensamble de la consola de la plataforma de elevación
18	587 52 34-01	Parrilla	202	532 43 97-28	Salida de Ventilación (LD)
25	532 44 33-85	Lente derecho de la parrilla	203	532 43 97-27	Salida de Ventilación (LI)
34	580 91 08-01	Chapa Motor	204	587 48 58-01	Salida de Ventilación superior
36	817 06 05-12	Tornillo de 5/16-18 x 3/4	205	532 43 97-30	Camisa de Capota (LD)
37	532 44 12-69	Guardabarros	206	532 43 97-29	Camisa de Capota (LI)
52	596 04 05-01	Tuerca de presión de 5/16-18 x .18	207	587 46 48-01	Bisel derecho
68	596 03 07-01	Tornillo de 5/16-18 x 1/2	208	587 46 45-01	Bisel izquierdo
125	581 68 48-01	Pinzas de retención	213	596 03 05-01	Perno de 5/16-18 unc x 3/4
130	596 32 17-01	Tornillo de #10 x 0.750	214	532 19 91-45	Cierre
137	532 40 75-90	Cubierta Tablero	217	532 40 91-67	Varilla giratoria
138	532 43 97-47	Portavasos	218	532 19 63-95	Tope
146	581 85 79-01	Perno 3/8-16 x 5/8	228	593 82 40-01	Perno prisionero con anti rotación
150	532 43 97-74	Cubierta térmica del conducto	235	596 56 42-01	Separador del guardabarros
151	532 43 66-70	Soporte	236	873 93 05-00	Tuerca de presión 5/16-18 unc
152	532 43 98-70	Protector contra oscurecimiento	287	817 60 04-06	Tornillo 1/4 - 20 x 3/8
159	817 00 06-12	Tornillo 3/8-16 x 3/4	297	532 43 74-56	Inserto LI
161	532 43 97-81	Ventana de combustible	306	873 90 06-00	Tuerca 3/8-16 unc
162	596 13 41-01	Tornillo de 1/4-15 x 1/2	335	532 44 82-04	Cubierta LD
165	532 19 68-26	Trasero apoyo de tanque	336	532 44 53-09	Cubierta LI
175	590 60 77-02	Travesaño	350	532 43 81-37	Cierre del árbol de navidad
176	532 40 07-76	Tornillo de 10-24 x 5/8	375	586 90 82-01	Cubierta Capota
177	532 19 52-28	Buje de dirección	378	590 84 98-01	Buje de brida, plástico
180	532 19 54-57	Chasis			
181	532 43 97-46	Buje de soporte del guardabarros de carga			
182	532 40 68-59	Tablero inferior			
183	595 30 57-01	Tornillo de 5/16-18 x 1-1/4			
189	817 00 05-12	Tornillo 5/16-18 x 3/4			

NOTA: Las dimensiones de todos los componentes están expresadas en pulgadas americanas. 1 pulgada = 25,4 mm

TRACTOR MODELO NO. YTH22V46 (96045006200), PRODUCTO NO. 960 45 00-62 TRANSMISIÓN

CÓDIGO NO.	PIEZA NO.	DESCRIPCIÓN	CÓDIGO NO.	PIEZA NO.	DESCRIPCIÓN
1	---	Transeje, Tuff Torque K46 BT (426120) (Haga el pedido de las piezas al fabricante del transeje.)	184	587 65 37-01	Manija del freno de mano
2	532 12 35-83	Cuña	185	872 11 06-22	Perno de 3/8-16 unc x 2-3/4 grado 5
5	874 76 06-36	Perno de HS 3/8-16 unc	186	532 19 43-21	Espaciador de retención
15	596 56 53-01	Rondelle 3/8 x 0.08	187	596 13 55-01	Arandela de 13/32 x 2
17	532 41 36-78	Resorte de freno	188	582 21 70-01	Mecanismo de desplazamiento de la varilla de mando del embrague del largo
26	532 19 96-79	Crucero con retorno de muelle	189	532 19 43-17	Palanca acodada del mecanismo de desplazamiento
29	532 40 38-06	Varilla del freno	190	532 19 43-18	Sujetador de la palanca acodada del mecanismo de desplazamiento
33	812 00 00-01	Aro E	205	532 12 17-48	Arandela de 25/32 x 1-5/8 x calibre 16
35	590 60 59-02	Varilla del freno de mano	206	532 44 85-96	Soporte de montaje del bloqueo del crucero
37	532 18 89-67	Arandela de .793 x 1.637 x 060	207	587 03 14-02	Pestillo
42	532 00 88-83	Cubierta del pedal	208	596 56 41-01	Engranaje
49	596 13 62-01	Perno de 3/8-16 x 3/4	209	590 52 78-01	Varilla de control del crucero
50	532 19 43-27	Polea loca plana	210	532 40 09-80	Ensamble del pedal
51	873 90 06-00	Tuerca 3/8-16	211	532 12 01-83	Rodamiento de nylon
52	532 19 43-26	Polea loca con ranura en V con un desplazamiento	213	532 40 31-19	Perilla de control del crucero
56	592 85 52-01	Correa de la transmisión	214	532 42 12-63	Forro del pedal para avanzar
64	532 19 78-65	Ensamble del eje Control	215	586 60 65-02	Forro del pedal para retroceder
69	532 42 33-03	Clavija	216	532 19 61-31	Soporte
73	596 13 65-01	Perno de 5/16-18 x 1-1/2	221	532 40 31-87	Abrazadera de retención del resorte de la manija
92	595 30 57-01	Tornillo de 5/16-18 x 1-1/4	222	879 21 20-10	Arandela de 21/32 x 1-1/4 calibre 10
99	582 40 45-01	Varilla del con resorte de desviación	223	598 66 26-01	Perno, T45, 5/16-18 x .75m Hexhd, Negro
116	596 13 57-01	Tuerca de 5/16-18 x .68	225	532 40 33-19	Fijador
125	817 00 05-12	Tornillo de 5/16-18 x 3/4	227	596 13 59-01	Perno de 5/16-18 x 3/4
143	596 03 07-01	Tornillo de 5/16-18 x 1/2	325	585 66 85-02	Soporte LH
153	532 00 44-97	Resorte de retención	326	585 67 08-02	Soporte RH
159	596 02 95-01	Pasador de chaveta de 1/8 x 3/4	336	596 13 57-01	Tuerca de presión de 5/16-18 x .68
161	532 10 57-09	Resorte de retorno del embrague			
163	593 86 10-01	Tige, K46/K57R			
166	532 42 91-64	Tuerca de presión .625			
167	532 40 52-57	Pestillo del freno de mano			
170	532 19 43-22	Fijador de la correa			
171	596 13 63-01	Perno de 3/8-16 x 2			
177	587 22 53-01	Abrazadera de retención 1 In.			
183	532 13 70-57	Separador			

NOTA: Las dimensiones de todos los componentes están expresadas en pulgadas americanas.
1 pulgada = 25,4 mm



EQUIPO APAGACHISPAS

engine-tex_bs-2cyl_177

TRACTOR MODELO NO. YTH22V46 (96045006200), PRODUCTO NO. 960 45 00-62 MOTOR

CÓDIGO PIEZA		DESCRIPCIÓN
No.	No.	
1	-----	Motor B&S modelo No. 44N677-0005-G1 (587639101) (Haga el pedido de las piezas al fabricante del motor.)
2	589 81 87-01	Silenciador
9	501 83 26-02	Ensamble del sujetador de la correa del motor
12	586 72 89-01	Polea del motor
15	598 70 33-01	Depósito de combustible 3 galón
18	599 50 22-01	Ensamble de la tapa 3"
20	532 42 35-02	Control del regulador
21	596 32 17-01	Tornillo de #10 x 0.750
28	532 40 11-37	Línea de combustible
29	532 13 71-80	Equipo apagachispas
37	532 12 34-87	Abrazadera de la manguera
42	596 23 89-01	Arandela de 7/16"
45	596 13 36-01	Tuerca de presión de 1/4-20
62	532 43 40-17	Protector
69	532 16 53-91	Junta
70	581 88 11-01	Tubo de escape LI
71	581 88 10-01	Tubo de escape LD
79	596 13 42-02	Tornillo de 5/16-18 x 1
81	532 14 84-56	Tubo de fácil drenaje de aceite
82	532 42 82-87	Conector del drenaje de aceite
84	817 06 06-20	Tornillo 3/8-16 x 1
85	501 60 65-01	Perno de 7/16-20 x 4 Gr. 5-1.5
90	817 00 06-16	Tornillo 3/8-16 x 1
91	532 18 74-95	Tornillo Buje
102	817 00 05-12	Tornillo 5/16-18 x 3/4
109	532 41 41-14	Bote
110	532 41 41-18	Válvula
113	532 41 41-27	Válvula
138	596 94 15-01	Línea de purga .1875"

NOTA: Las dimensiones de todos los componentes están expresadas en pulgadas americanas. 1 pulgada = 25,4 mm

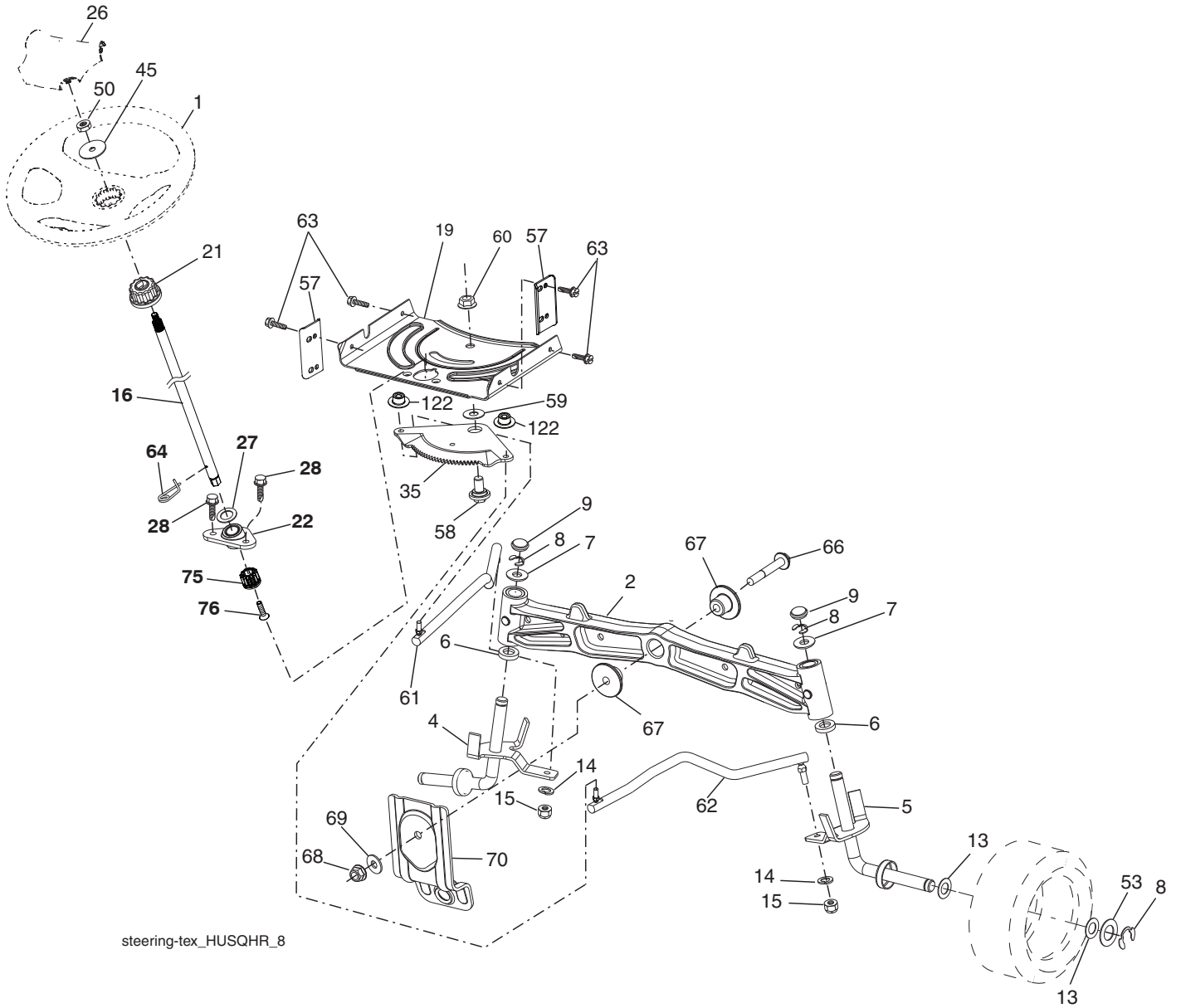
Para realizar el mantenimiento del motor y para obtener repuestos, llame al número gratuito del fabricante de su motor que se enumera a continuación:

Briggs & Stratton 1-800-233-3723

Información de Clasificación de Potencia del Motor

La clasificación de potencia para un modelo de motor a gas en particular se designa de acuerdo al código J1940 de SAE (Sociedad de Ingenieros Automotrices) (Procedimiento de Clasificación de Potencia & Torque del Motor Pequeño), y la clasificación de desempeño ha sido obtenida y corregida de acuerdo con el código J1995 de SAE (Revisión 2002-05). Los valores de torque se obtienen a 3060 RPM; los valores de potencia se obtienen a 3600 RPM. La potencia bruta actual del motor será inferior y está afectada, entre otras cosas, por las condiciones ambientales operativas y la variabilidad de motor a motor. Dado ambos un amplio conjunto de productos en los cuales son puestos nuestros motores, y la variedad de emisiones ambientales aplicables al operar el equipo, el motor a gas no desarrollará la potencia nominal cuando sea usado en una parte del equipo acoplado (potencia real "en el-sitio" o potencia neta). Esta diferencia se debe a una variedad de factores que incluyen, pero que no están limitados a, accesorios (filtro de aire, sistema de escape, sistema de carga, sistema de enfriamiento, carburador, bomba de combustible, etc.) limitaciones de la aplicación, condiciones ambientales de operación (temperatura, humedad, altitud), y la variabilidad de motor a motor. Debido a las limitaciones, Briggs & Stratton puede sustituir este motor con clasificación de potencia más alta por esta serie de motor.

TRACTOR MODELO NO. YTH22V46 (96045006200), PRODUCTO NO. 960 45 00-62
ENSAMBLE DE LA DIRECCIÓN



steering-tex_HUSQHR_8

**TRACTOR MODELO NO. YTH22V46 (96045006200), PRODUCTO NO. 960 45 00-62
ENSAMBLE DE LA DIRECCIÓN**

CÓDIGO No.	PIEZA No.	DESCRIPCIÓN
1	532 43 97-40	Volante de dirección
2	532 19 59-68	Eje
4	532 40 30-87	Ensamble del husillo izquierdo
5	532 40 30-88	Ensamble del husillo derecho
6	532 00 62-66	Arandela de .75 x 1.230
7	532 12 17-48	Arandela de 25/32 x 1-5/8 calibre 16
8	812 00 00-29	Abrazadera del aro No. T5304-75
9	532 12 12-32	Tapa del husillo
13	532 12 17-49	Arandela de 25/32 x 1-1/4 calibre 16
14	596 23 87-01	Arandela de .381 x .680
15	873 54 06-00	Tuerca corona de presión de 3/8-24 unf
16	587 01 60-02	Eje de dirección
19	532 19 47-29	Placa de dirección
21	586 84 02-01	Adaptador del volante de dirección
22	585 02 98-02	Rodamiento
26	532 43 97-43	Inserto del volante de dirección
27	596 93 34-01	Arandela
28	817 00 06-12	Tornillo de 3/8-16 x 3/4
35	532 19 47-32	Engranaje del sector de la placa
45	587 01 64-01	Arandela 3/8 ID 2-3/8 OD calibre 12 PLTD
50	873 90 06-00	Tuerca 3/8-16 unc
53	532 18 89-67	Arandela reforzada de 793 x 1637 x 0,060
57	532 40 74-65	Tope superior del soporte
58	532 19 47-47	Perno de tope del sector del pivote CFM
59	532 19 47-48	Arandela de empuje del sector de dirección
60	873 97 10-00	Tuerca de presión con brida de 5/8-11
61	532 19 47-40	Barra de acoplamiento izquierda
62	532 19 47-41	Barra de acoplamiento derecha
63	817 00 05-12	Tornillo de 5/16-18 x 3/4
64	532 19 98-49	Abrazadera de retención del resorte de la dirección
66	871 02 07-48	Perno de cabeza 7/16-14 x 3
67	532 19 47-37	Buje PM del eje delantero
68	873 90 07-00	Tuerca de presión con brida de 7/16-14 grado 5
69	532 19 91-62	Arandela de 1,5 x 0,505 x 0,118
70	585 33 88-01	Soporte de la plataforma delantera
75	580 68 37-01	Piñón
76	580 68 36-01	Tornillo
122	532 44 49-62	Tapa

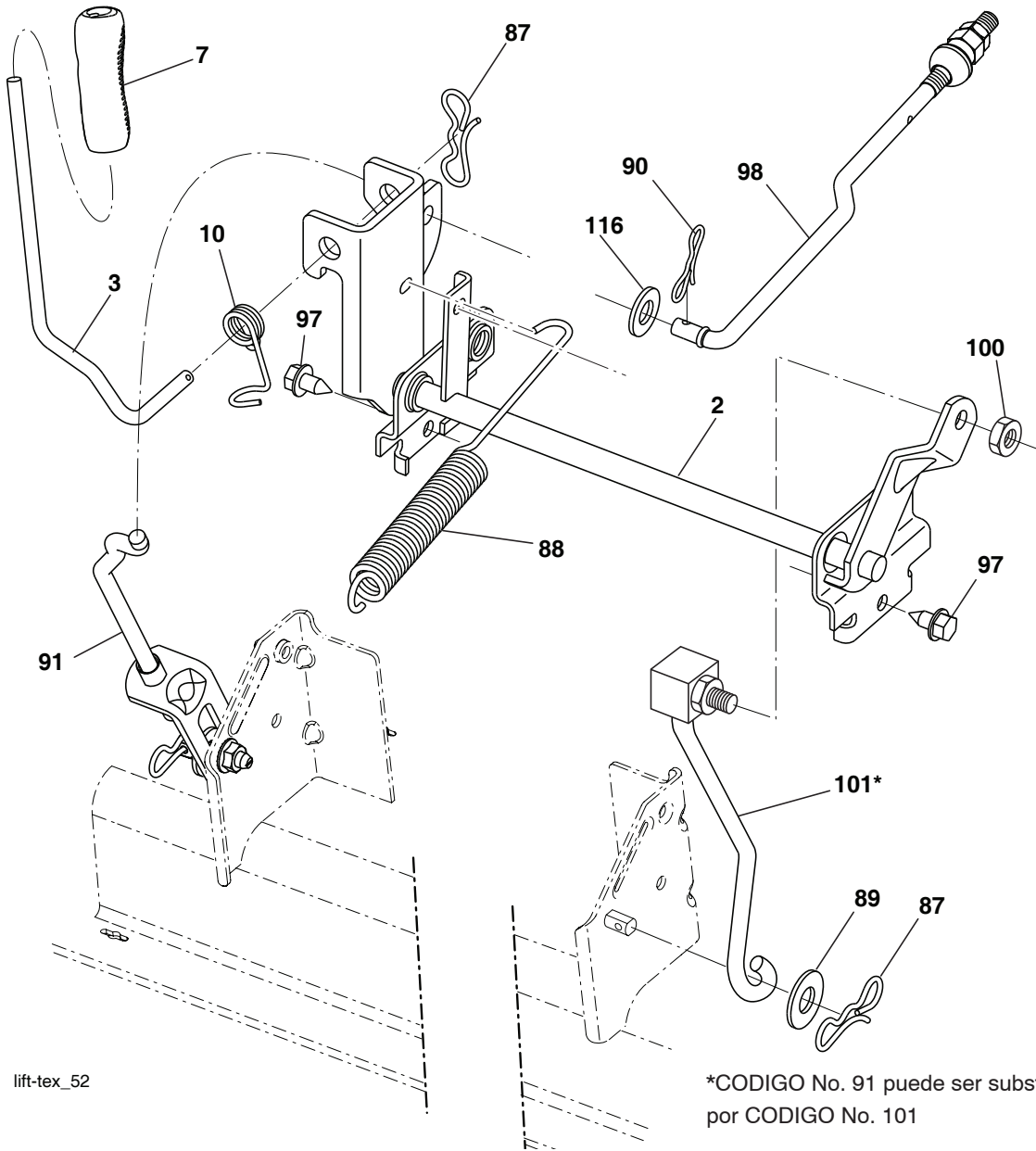
NOTA: Las dimensiones de todos los componentes están expresadas en pulgadas americanas. 1 pulgada = 25,4 mm

**TRACTOR MODELO NO. YTH22V46 (96045006200), PRODUCTO NO. 960 45 00-62
PLATAFORMA DE LA CORTADORA DE CÉSPED**

CÓDIGO PIEZA		DESCRIPCIÓN	CÓDIGO PIEZA		DESCRIPCIÓN
No.	No.		No.	No.	
1	586 35 23-01	Carcasa de la cortadora de césped	64	532 40 51-38	Varillaje del freno
2	532 40 55-06	Cubierta derecha del mandril	67	532 40 30-12	Manija del cable de embrague
3	532 40 55-07	Cubierta izquierda del mandril	68	532 40 51-43	Correa trapezoidal
4	596 03 05-01	Perno de 5/16-18 unc x 3/4	69	596 13 64-01	Perno de 5/16-18 x 5/8
6	532 19 51-86	Brazo de la suspensión	70	532 19 99-72	Ensamble del embrague Manual
7	596 32 17-01	Tornillo de #10 x 0.750	113	817 00 05-10	Tornillo de 5/16-18
11	532 40 53-80	Cuchilla de la cortadora	116	596 43 44-04	Perno de 3/8-16 x 3-5/8
12	584 30 93-01	Tornillo 7/16-20 x 1l	117	589 52 73-01	Calibrador de la rueda
14	587 81 97-01	Conjunto del mandril (incluye eje y perno)	119	596 13 49-01	Arandela de 3/8 x 7/8"
19	532 19 65-39	Perno de tope	122	532 19 72-58	Sujetador izquierdo de la correa del motor
21	596 04 05-01	Tuerca de presión de 5/16-18	123	532 19 72-59	Sujetador derecho de la correa del motor
23	532 19 25-57	Soporte del deflector	144	532 19 92-04	Sujetador de la correa
24	532 10 53-04	Tapa de la manga	145	532 19 31-97	Polea loca
25	532 19 70-26	Resorte de torsión del deflector	147	532 40 18-72	Retorno del resorte
26	532 11 04-52	Tuerca de presión	152	584 24 35-01	Cable de embrague manual con resorte
27	532 40 53-57	Protector del deflector	188	593 82 40-01	Perno prisionero con anti rotación
29	595 29 70-01	Varilla de la bisagra	189	596 13 57-01	Tuerca de presión de 5/16-18 x .68
32	532 19 74-73	Polea del mandril	195	817 00 06-12	Tornillo de 3/8-16 x 3/4
33	596 13 48-01	Tuerca de 9/16-18 x 1.010	197	596 13 32-01	Arandela de 13/32 x 13/16 x 12 Calibre
34	596 13 61-01	Perno de 3/8-16 x 1-1/2"	198	532 40 31-49	Deflector delantero central
36	532 19 73-79	Polea loca	199	532 40 31-50	Deflector delantero derecho
37	596 56 53-01	Rondelle 3/8 x 0.08	200	532 41 35-24	Arandela de 13/32 x 1 x 1/2 calibre 11
38	589 67 61-02	Sujetador de la correa izquierda del mandril	240	874 52 06-36	Perno 3/8-16 unc x 2-1/4
40	873 90 06-00	Tuerca de presión con brida de 3/8-16 unc	241	532 15 29-27	Tornillo
41	584 95 39-01	Perno 313-18 x 1.19	257	873 90 04-00	Tuerca
42	532 19 84-10	Resorte de torsión del freno	242	532 41 55-98	Puerto de Lavado de la Cubierta
43	532 19 72-56	Resorte de torsión de retención	256	596 23 84-01	Perno de 1/4-20 x 3/4
46	532 13 77-29	Tornillo	261	589 48 18-05	Placa frontal de refuerzo
47	532 19 72-50	Soporte del cable de embrague	262	589 48 20-05	Placa lateral de refuerzo
55	532 19 72-49	Brazo de la polea	--	532 41 64-05	Enganche
56	532 19 90-92	Espaciador de retención	--	586 05 90-01	Reemplazo de la cortadora de césped, completa
57	817 00 06-16	Tornillo hexagonal con arandela de 3/8-16 x 1			
59	532 14 10-43	Dispositivo de protección de la polea (94)			
60	532 19 94-71	Brazo izquierdo del freno de la cortadora de césped			
63	532 19 94-77	Brazo del freno de la cortadora de césped			

NOTA: Las dimensiones de todos los componentes están expresadas en pulgadas americanas. 1 pulgada = 25,4 mm

**TRACTOR MODELO NO. YTH22V46 (96045006200), PRODUCTO NO. 960 45 00-62
ELEVACIÓN DE LA CORTADORA DE CÉSPED**



lift-tex_52

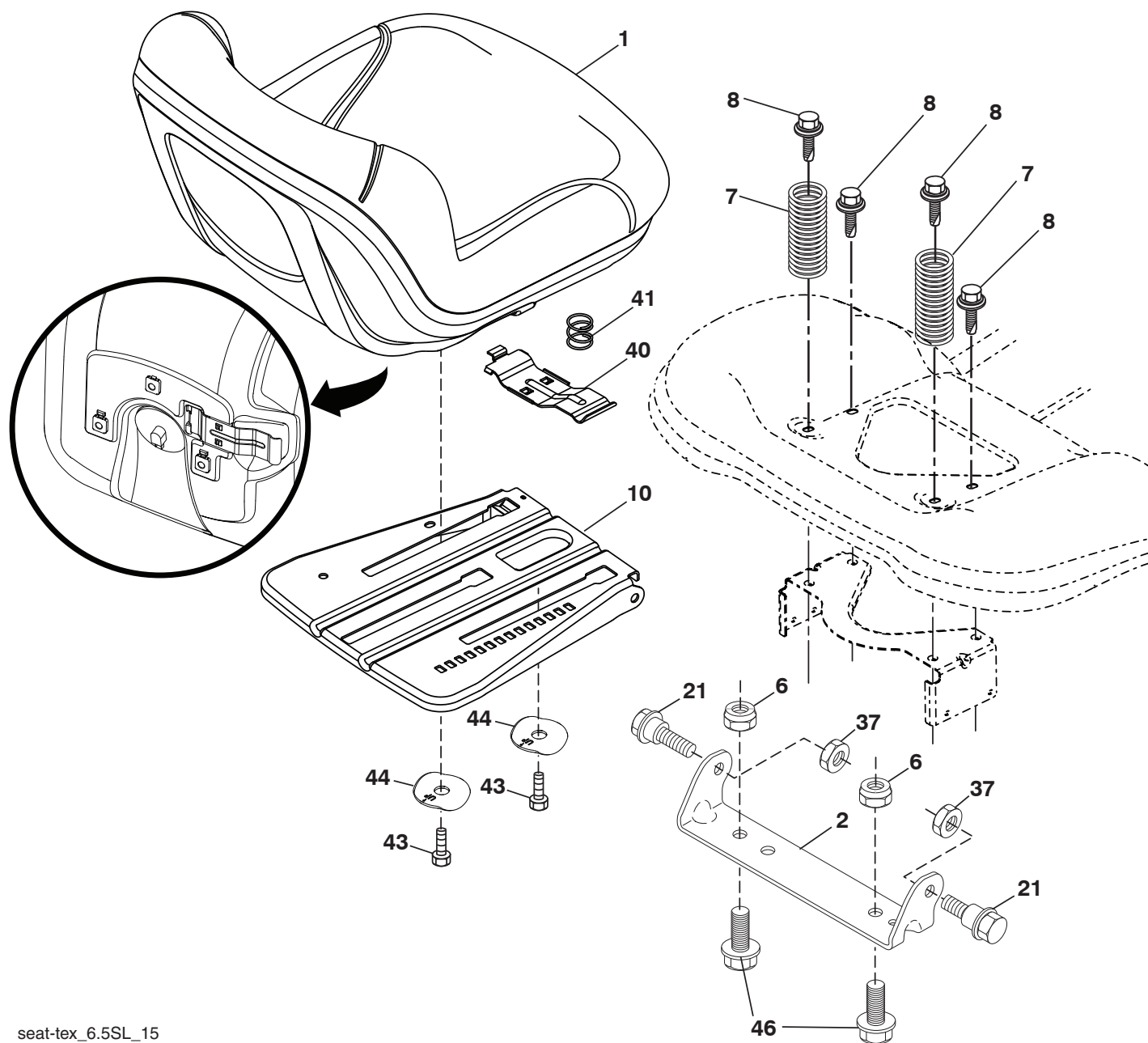
*CODIGO No. 91 puede ser substituido por CODIGO No. 101

CÓDIGO No.	PIEZA No.	DESCRIPCIÓN
2	532 42 20-27	Ensamble del eje de la elevación
3	594 01 80-01	Ensamble de la palanca de elevación
7	580 96 23-01	Mango de la palanca
10	532 19 63-14	Resorte de torsión
87	532 19 42-09	Pasador de chaveta de 7/16 con bloqueo en forma de mariposa
88	532 41 07-10	Resorte de ayuda de la elevación
89	819 19 19-12	Arandela de zinc transparente
90	532 19 42-08	Pasador de chaveta de 5/16 con bloqueo en forma de mariposa
91	589 46 48-03	Ensamble del acoplamiento Elevación trasera

CÓDIGO No.	PIEZA No.	DESCRIPCIÓN
97	817 00 06-12	Tornillo de 3/8-16 x 0,75
98	581 50 69-03	Ensamble del acoplamiento Elevación Frente
100	595 30 59-01	Tuerca 3/8-16
101	532 40 70-03	Ensamble del acoplamiento Elevación fijo
116	594 97 65-01	Arandela 15/32 x 15/16 x .065

NOTA: Las dimensiones de todos los componentes están expresadas en pulgadas americanas. 1 pulgada = 25,4 mm

**TRACTOR MODELO NO. YTH22V46 (96045006200), PRODUCTO NO. 960 45 00-62
ENSAMBLE DEL ASIENTO**



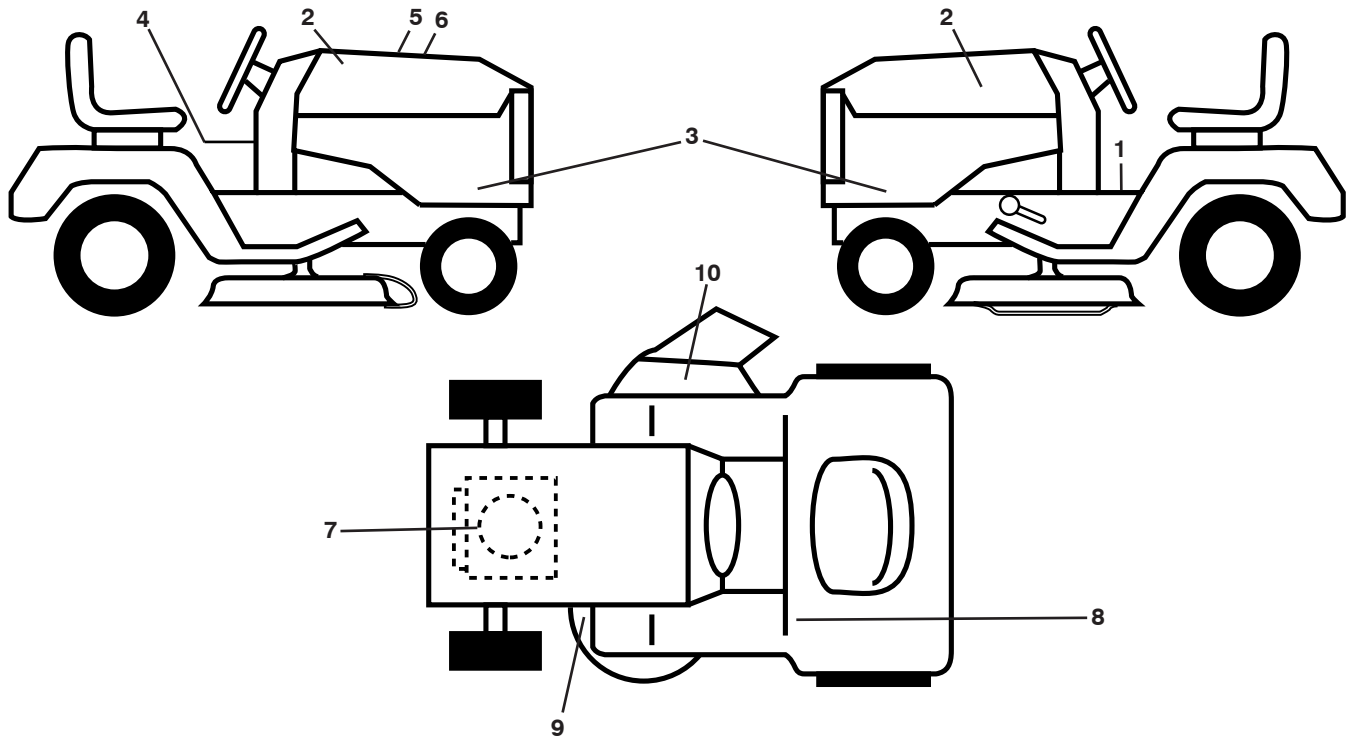
seat-tex_6.5SL_15

CÓDIGO No.	PIEZA No.	DESCRIPCIÓN
1	532 43 98-22	Asiento
2	532 18 01-66	Soporte pivotante del guardabarros
6	873 80 06-00	Tuerca de presión c/aislamiento de 3/8-16 unc
7	589 48 35-01	Resorte del asiento
8	532 17 18-77	Perno de 5/16" unc x 3/4"
10	596 65 74-02	Bandeja del asiento
21	587 90 78-01	Perno de tope de 5/16-18 x 5/8
37	596 58 37-02	Tuerca 5/16-18
40	595 08 81-02	Manija para deslizar el asiento x 431

CÓDIGO No.	PIEZA No.	DESCRIPCIÓN
41	532 19 82-00	Resorte para trabar el asiento
43	874 76 06-12	Perno de cabeza hexagonal con aleta de 3/8-16 unc x 3/4
44	501 05 18-01	Arandela
46	588 09 04-01	Perno 3/8 x 1, 1.25 OD

NOTA: Las dimensiones de todos los componentes están expresadas en pulgadas americanas. 1 pulgada = 25,4 mm

**TRACTOR MODELO NO. YTH22V46 (96045006200), PRODUCTO NO. 960 45 00-62
CALCOMANÍAS**



**CÓDIGO PIEZA
No. No.**

DESCRIPCIÓN

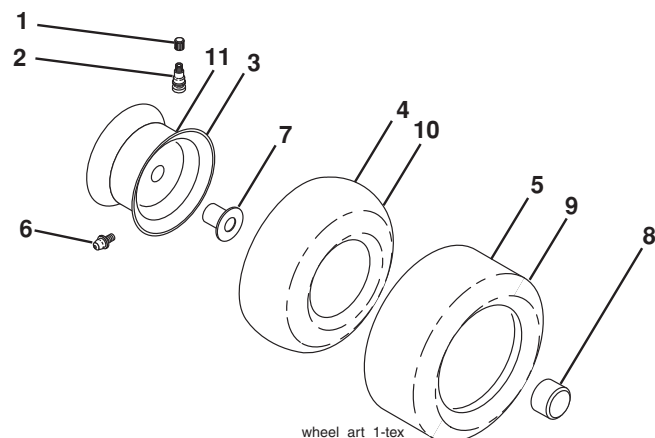
1	581 57 87-01	Calcomanía para el guardabarros
2	581 62 73-01	Calcomanía para la capota
3	581 59 42-01	Calcomanía para el panel
4	596 02 42-01	Calcomanía advertencia equipo apagachispas
5	532 42 38-29	Calcomanía del operador
6	501 70 91-01	Calcomanía de reemplazo
7	585 55 69-01	Calcomanía de motor
8	580 88 58-01	Calcomanía E85 advertencia
9	581 58 00-01	Calcomanía del diagrama de la cortadora de césped

**CÓDIGO PIEZA
No. No.**

DESCRIPCIÓN

10	584 90 46-01	Calcomanía del advertencia
--	581 72 48-01	Calcomanía para la desviación
--	532 43 96-81	Forro del apoyo para los pies (L.I.)
--	532 43 96-82	Forro del apoyo para los pies (L.D.)
--	115 92 22-49	Manual del Operario (Inglés/Español)
--	115 92 23-49	Manual de Repuestos (Inglés/Español)
--	587 71 00-26	Guía de inicio rápido (Inglés/Español)

RUEDAS Y NEUMÁTICOS



**CÓDIGO PIEZA
No. No.**

DESCRIPCIÓN

1	532 05 91-92	Tapa de la válvula del neumático
2	532 06 51-39	Vástago de la válvula
3	532 13 83-36	Ensamble de las llantas delanteras
4	532 05 99-04	Cámara delantera (Mantenimiento sólo)
5	532 10 62-22	Neumático delantero 15 x 6-6
6	532 00 02-78	Accesorio para engrasar (solo para la rueda delantera)
7	532 00 90-40	Rodamiento de la brida (solo para la rueda delantera)
8	532 17 50-39	Tapa del eje 1 50 x 1 00
9	532 13 84-68	Neumático 20 x 8-8
10	532 00 71-52	Cámara trasera (Mantenimiento sólo)
11	532 13 83-37	Ensamble trasero de la llanta 8"
--	532 14 43-34	Sellador para neumáticos (tubo de 10 onzas [283 gr])

NOTA: Las dimensiones de todos los componentes están expresadas en pulgadas americanas. 1 pulgada = 25,4 mm

SERVICE NOTES / AVISO



www.husqvarna.com