

Repair Parts Manual
Manual De Repuestos
YTH24V48 / 96045006800

Please read the operator's manual carefully and make sure you understand the instructions before using the machine.

Por favor lea cuidadosamente y comprenda estas instrucciones antes de usar esta maquina.



English/Spanish

115 94 08-49 Rev. 5



HOW TO USE THIS MANUAL

This manual is designed to provide the customer with a means to identify the parts on his/her tractor when ordering repair parts. The illustrations may or may not represent the actual assemblies; therefore, it is not recommended to use this manual as a guide to assemble or disassemble the tractor. Some hardware and parts are drawn larger in order to more readily identify them.

Each tractor has its own model number. The model number for your tractor can be found on the fender under the seat.

Support / Help

If you require assistance or have questions concerning the application, operation, maintenance or parts for your product:

- Visit our website: www.husqvarna.com
- Call Us Toll Free: 1-800-487-5951

When ordering parts, always give the following information:

- Product - "TRACTOR"
- MODEL NUMBER - "YTH24V48" (96045006800)"
- Part Number
- Part Description

TABLE OF CONTENTS

SCHEMATIC	3
ELECTRICAL.....	4-5
CHASSIS	6-7
DRIVE.....	8-9
ENGINE.....	10-11
STEERING	12-13
MOWER DECK.....	14-15
MOWER LIFT.....	16
SEAT	17
DECALS.....	18

COMO UTILIZAR ESTE MANUAL

Este manual está diseñado para brindarle al comprador un medio para identificar las piezas del tractor para cuando necesite hacer el pedido de un repuesto. Las ilustraciones pueden o no representar los ensambles reales; por lo tanto, no se recomienda utilizar este manual como una guía para ensamblar o desarmar el tractor. Algunos accesorios y piezas están dibujados en tamaños más grandes para identificarlos con mayor facilidad.

Cada tractor tiene su propio número de modelo. El número de modelo del tractor se encuentra en el guardabarros debajo del asiento.

Soporte / Ayuda

Si necesita asistencia o tiene alguna pregunta acerca de la aplicación, operación, mantenimiento o piezas de su producto:

- Visite nuestro sitio web: www.husqvarna.com
- Llámenos de manera gratuita al: 1-800-487-5951

Cuando haga el pedido de una pieza, siempre brinde la siguiente información:

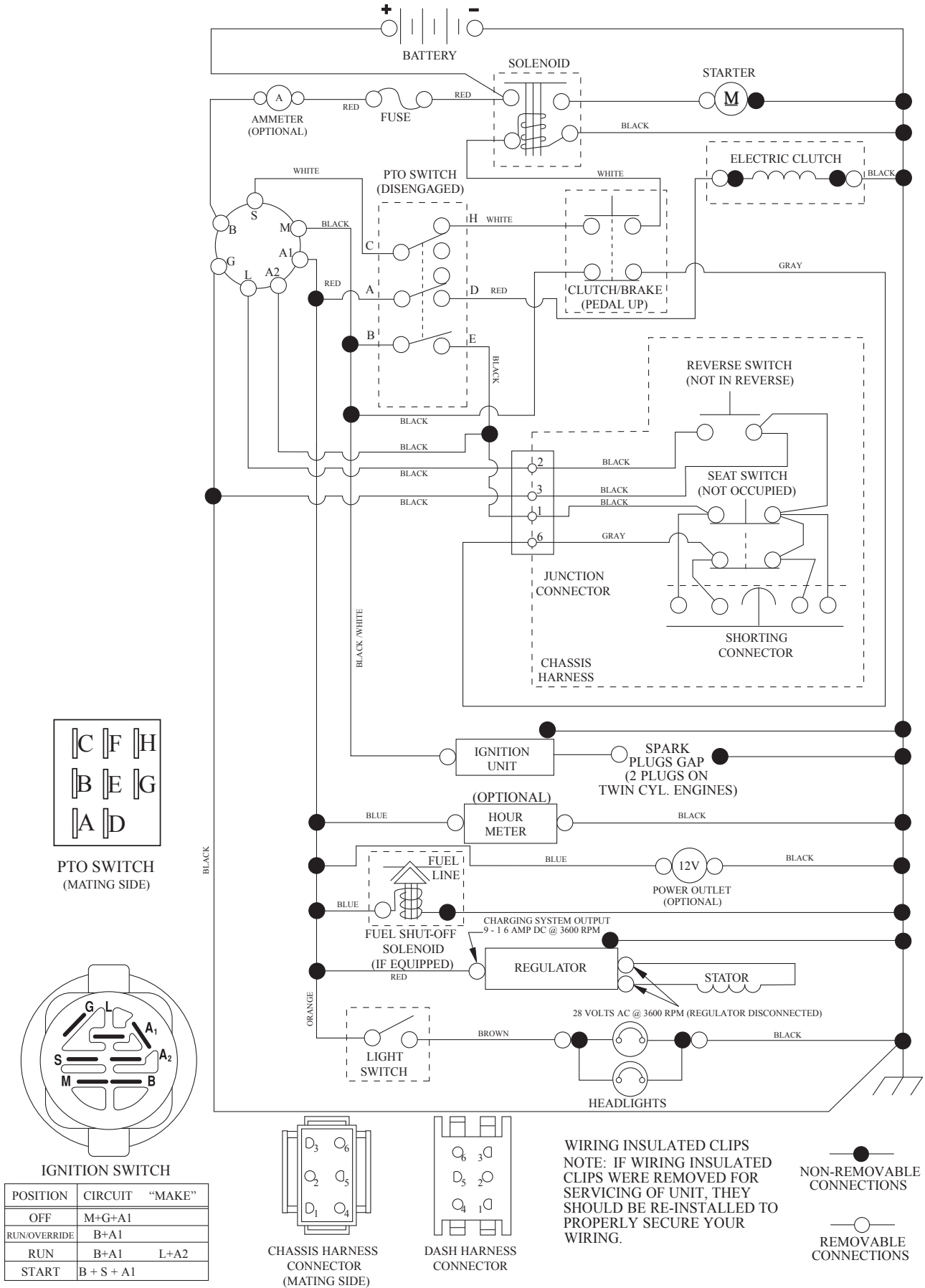
- Producto: "TRACTOR"
- NÚMERO DE MODELO: "YTH24V48" (96045006800)"
- Número de pieza
- Descripción de la pieza

ÍNDICE

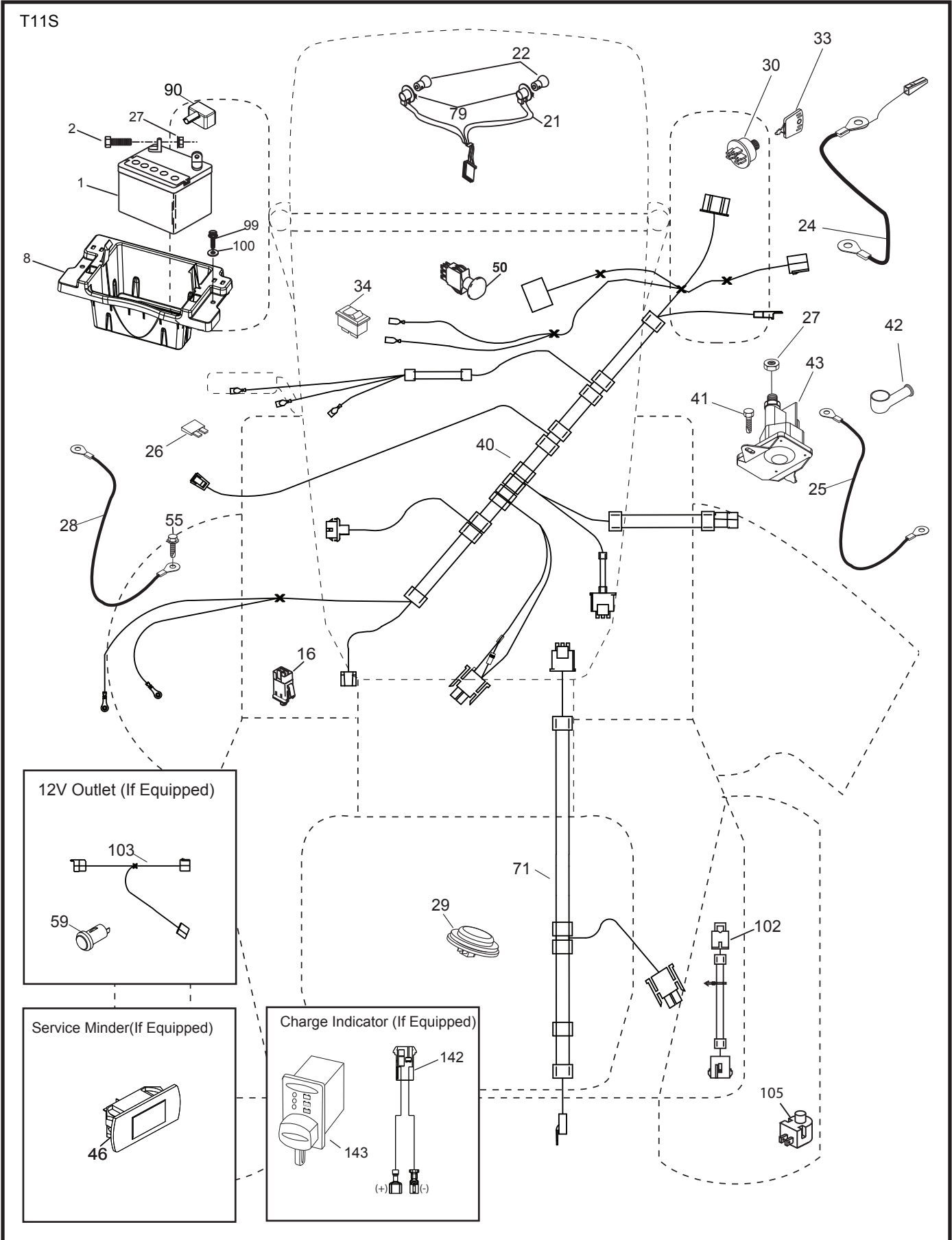
DIAGRAMA.....	19
DIAGRAMA ELÉCTRICO.....	20-21
CHASIS	22-23
TRANSMISIÓN	24-25
MOTOR.....	26-27
DIRECCIÓN	28-29
PLATAFORMA DE LA CORTADORA DE CÉSPED.....	30-31
ELEVACIÓN DE LA CORTADORA DE CÉSPED.....	32
ASIENTO.....	33
CALCOMANÍAS.....	34

TRACTOR - MODEL NO. YTH24V48 (96045006800), PRODUCT NO. 960 45 00-68 SCHEMATIC

SCH12



**TRACTOR - MODEL NO. YTH24V48 (96045006800), PRODUCT NO. 960 45 00-68
ELECTRICAL**

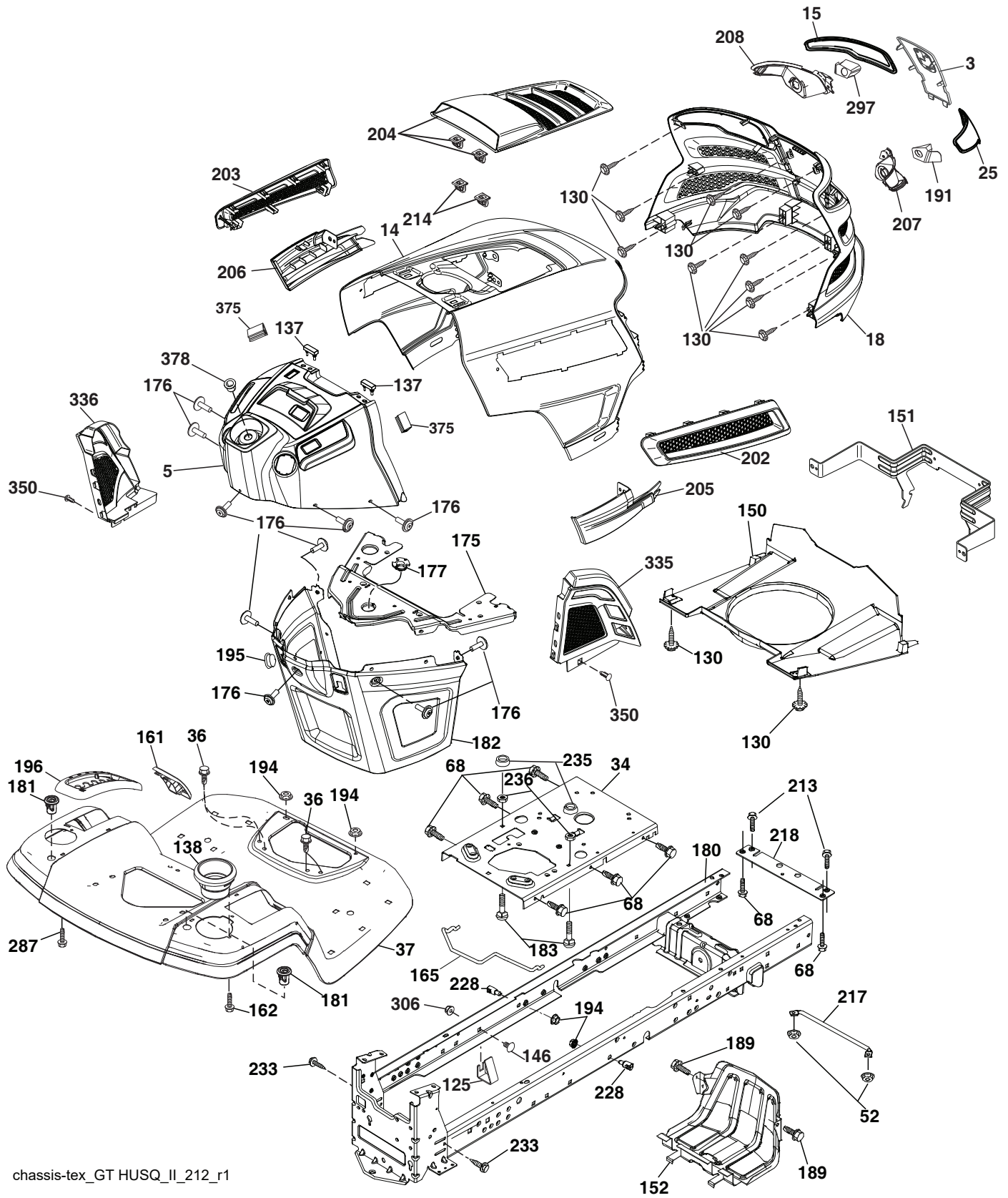


**TRACTOR - MODEL NO. YTH24V48 (96045006800), PRODUCT NO. 960 45 00-68
ELECTRICAL**

KEY NO.	PART NO.	DESCRIPTION
1	532 16 34-65	Battery
2	874 76 04-12	Bolt Hex Hd 1/4-20 unc x 3/4
8	532 41 41-26	Tray Battery
16	532 17 61-38	Switch Interlock
21	532 40 02-52	Harness Socket Light
22	532 00 41-52	Bulb, Light #1156
24	585 55 56-01	Cable Battery
25	585 55 55-01	Cable Starter
26	532 17 51-58	Fuse
27	596 13 36-01	Nut Keps Hex 1/4-20
28	532 41 65-88	Cable Ground 21" Blk 6 Ga.
29	532 40 15-45	Switch Seat
30	532 19 33-50	Switch Ign
33	532 41 19-33	Key/Chain
34	532 11 07-12	Switch Light/Reset
40	501 13 29-01	Harness Ign. Dash
41	817 72 04-08	Screw Thd Cut 1/4-20 x 1/2
42	532 13 15-63	Cover Terminal Red
43	582 04 28-02	Solenoid W/ Brass Plunger ZN
46	594 91 91-01	Hourmeter Delta
50	582 10 76-02	Switch PTO Terminal STD Red
55	817 06 05-12	Screw Thdrol 5/16-18 x 3/4
71	532 19 42-76	Harness Ign
79	532 17 52-42	Socket Asm. Bulb Twistlock
90	532 43 53-95	Cover Terminal Battery
99	817 67 04-12	Screw Hexwsh Thdrol 1/4-20 x 3/4
100	596 13 53-01	Washer Plain 9/32 x 7/8 Clear ZN
102	532 40 44-54	Harness Pigtail
105	532 40 75-68	Switch Reverse TT Pedal Control

NOTE: All component dimensions given in U.S. inches
1 inch = 25.4 mm

**TRACTOR - MODEL NO. YTH24V48 (96045006800), PRODUCT NO. 960 45 00-68
CHASSIS**



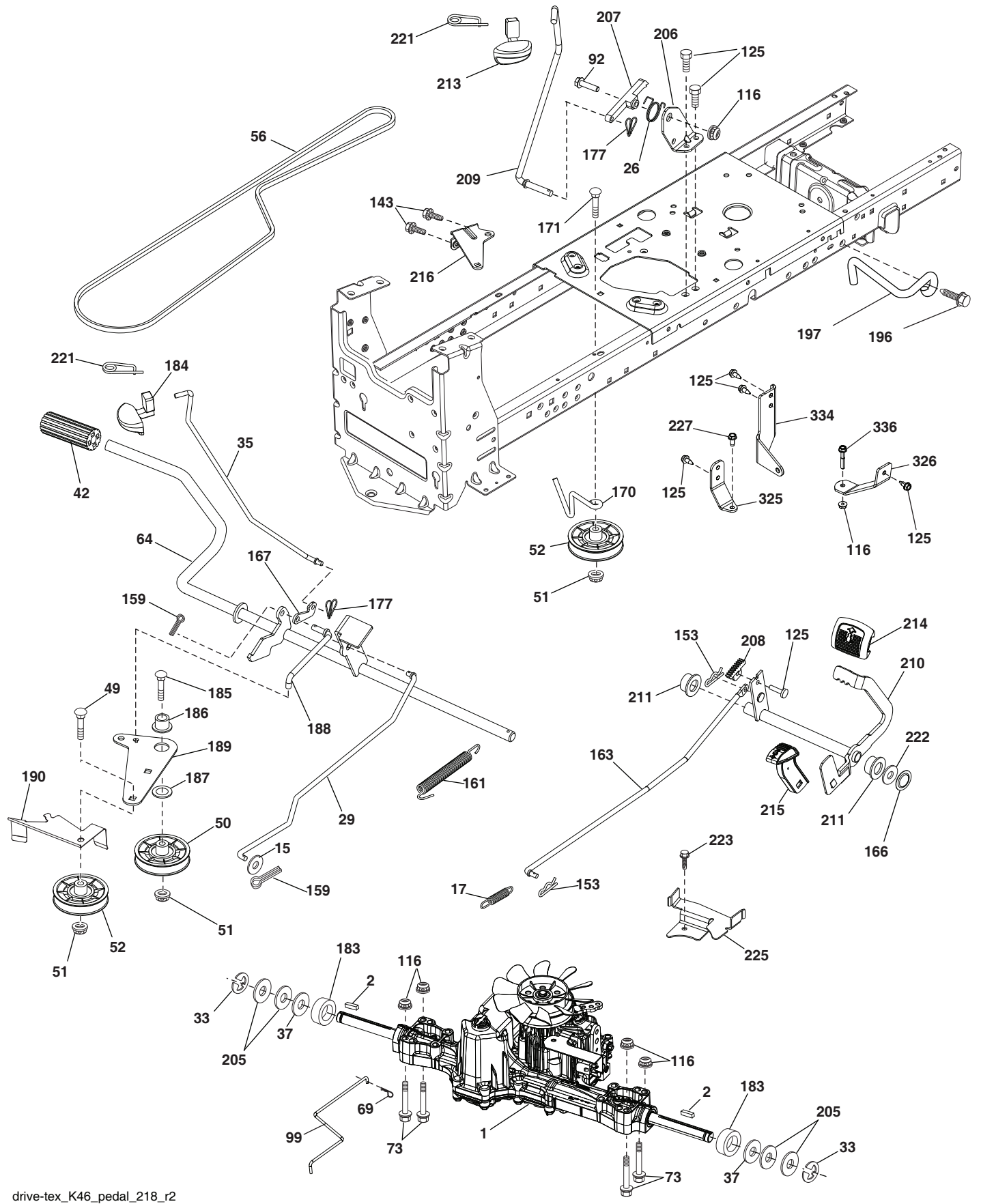
chassis-tex_GT HUSQ_II_212_r1

**TRACTOR - MODEL NO. YTH24V48 (96045006800), PRODUCT NO. 960 45 00-68
CHASSIS**

KEY NO.	PART NO.	DESCRIPTION	KEY NO.	PART NO.	DESCRIPTION
3	532 44 44-81	Logo	195	532 40 41-37	Plug Hole Dash Lower
5	590 74 88-21	Dash	196	532 43 96-47	Console Asm Decklift
14	532 44 11-77	Hood	202	532 43 97-28	Vent Side Hood RH
15	532 43 97-33	Lens LH	203	532 43 97-27	Vent Side Hood LH
18	587 52 34-01	Grille	204	587 48 58-01	Vent Top Asm.
25	532 44 33-85	Lens RH	205	532 43 97-30	Trim Hood Side RH
34	580 91 08-01	Plate Engine	206	532 43 97-29	Trim Hood Side LH
36	817 06 05-12	Screw 5/16-18 x 3/4	207	587 46 48-01	Bezel RH
37	532 44 12-69	Fender	208	587 46 45-01	Bezel LH
52	596 04 05-01	Nut, Lock, Hex, Prvl, 5/16-18	213	596 03 05-01	Screw Hex HD 5/16-18 unc x 3/4
68	596 03 07-01	Screw Hexagon 5/16-18 x 1/2	214	532 19 91-45	Clip Retainer Tinner
125	581 68 48-01	Clip Fuel Line	217	532 40 91-67	Rod Pivot
130	596 32 17-01	Screw #10 x 0.750 BOS Thread	218	532 19 63-95	X-Piece Hood Stop
137	532 40 75-90	Bumper Dash	228	593 82 40-01	Stud W/"D" Anti-Rotation
138	532 43 97-47	Holder Cup	233	532 19 65-39	Bolt, Shoulder
146	581 85 79-01	Bolt RDHD SHT SQNK 3/8-16x5/8	235	596 56 42-01	Spacer, Fender, Clr, Zn
150	532 43 97-74	Air Duct	236	873 93 05-00	Nut Lock 5/16-18 unc
151	532 43 66-70	Bracket Pivot	287	817 60 04-06	Screw Hex Washhead 1/4-20 x 3/8
152	532 43 98-70	Shield Browning	297	532 43 74-56	Insert Reflective LH
161	532 43 97-81	Window Fuel	306	873 90 06-00	Nut Lock Flg 3/8-16 unc
162	596 13 41-01	Screw, Hex, Tap, 1/4-15 x 1/2	335	532 44 82-04	Cover Lower Dash Close Out RH
165	532 19 68-26	Support Tank Rear	336	532 44 53-09	Cover Lower Dash LH
175	590 60 77-02	Crossmember	350	532 44 51-43	Clip X-mas Tree
176	532 40 07-76	Screw 10-24 x 5/8	375	586 90 82-01	Dash Clip-On Bumper
177	532 19 52-28	Bushing Steering	378	590 84 98-01	Bushing, Flange, Plastic,
180	532 19 54-57	Chassis			
181	532 43 97-46	Bushing Fender			
182	532 40 68-59	Dash Lower			
183	595 30 57-01	Screw, Hexagon, 5/16-18 x 1-1/4			
189	817 00 05-12	Screw 5/16-18 x 3/4			
191	532 43 74-55	Insert Reflective RH			
194	596 13 57-01	Nut, Lock, Prvl, Torq, 5/16-18 x .68			

NOTE: All component dimensions given in U.S. inches
1 inch = 25.4 mm

**TRACTOR - MODEL NO. YTH24V48 (96045006800), PRODUCT NO. 960 45 00-68
DRIVE**



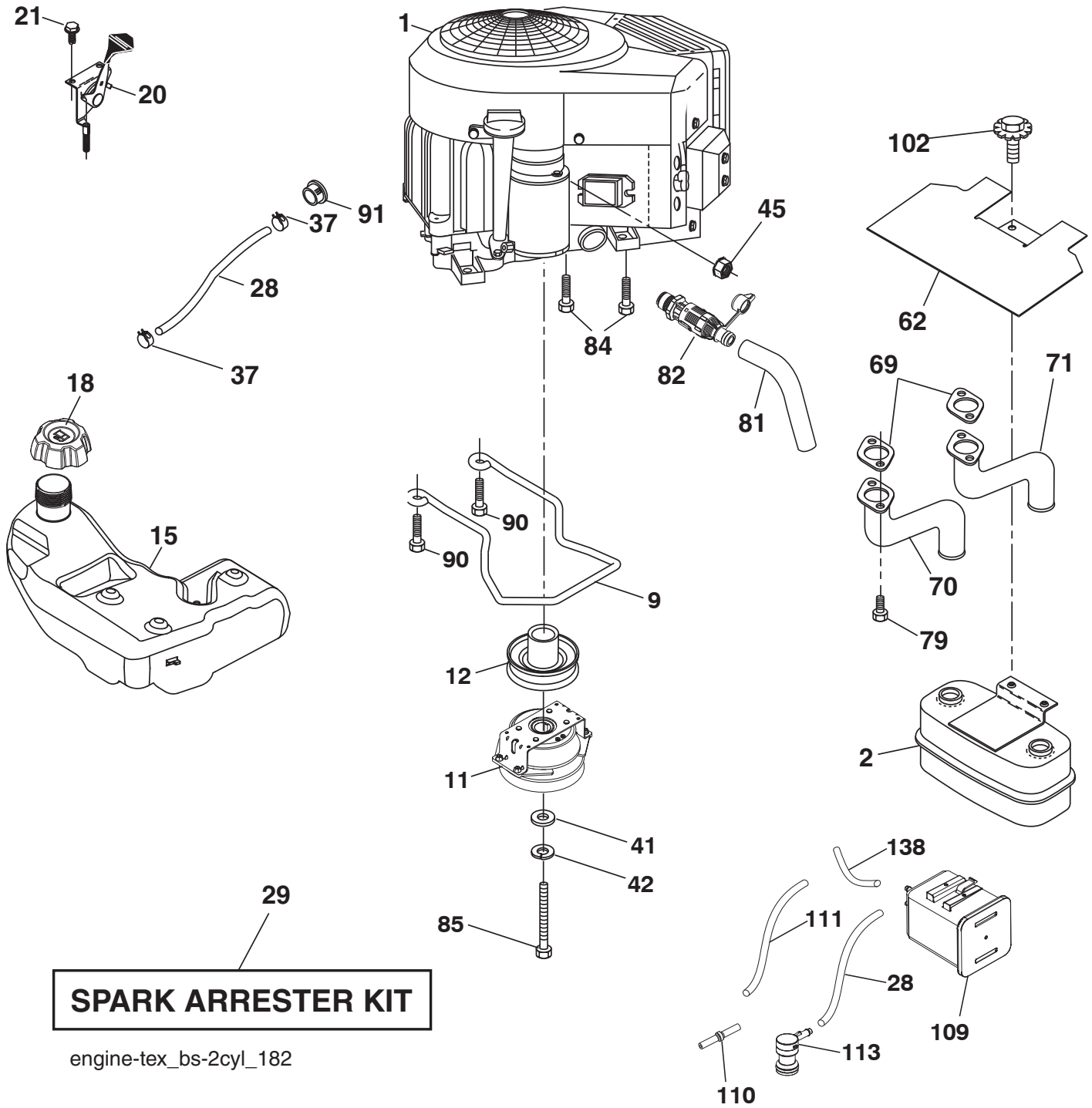
drive-tex_K46_pedal_218_r2

**TRACTOR - MODEL NO. YTH24V48 (96045006800), PRODUCT NO. 960 45 00-68
DRIVE**

KEY NO.	PART NO.	DESCRIPTION	KEY NO.	PART NO.	DESCRIPTION
1	---	Transaxle, TUFFTORQ K46 BT (426120) (Order parts from trans-axle manufacturer)	185	872 11 06-22	Bolt Rdhd Sqnk 3/8-16 x 2-3/4 Gr. 5
2	532 12 35-83	Key, Square, 2.0 x .1845/.1865	186	532 19 43-21	Spacer Retainer
15	596 56 53-01	Washer 3/8 x 0.08" St, Clr, Zinc	187	596 13 55-01	Washer, 13 x 32 x 2, Clear, Zinc
17	532 41 36-78	Spring Brake	188	582 21 70-01	Link Clutch Ground Drive, Long
26	532 19 96-79	Spring Return Cruise	189	532 19 43-17	Bellcrank Ground Drive
29	532 40 38-06	Rod, Brake	190	532 19 43-18	Keeper Bellcrank Ground Drive
33	812 00 00-01	Ring E	196	817 00 06-16	Screw 3/8-16 x 1
35	590 60 59-02	Rod Brake Park	197	585 65 86-02	Link Clutch Anti-Rotation
37	532 18 89-67	Washer Hardened	205	532 12 17-48	Washer
42	532 00 88-83	Cover Foot Pedal	206	532 44 85-96	Bracket Mount Cruise
49	596 13 62-01	Bolt, Cup Headm 3/8-16 x 3/4	207	587 03 14-02	Latch, Cruisecontrol, Tex, Clr
50	532 19 43-27	Pulley Idler Flat	208	596 56 41-01	Gear
51	873 90 06-00	Lock Nut 3/8-16	209	590 52 78-02	Rod Control Cruise
52	532 19 43-26	Idler V-Groove	210	532 40 09-80	Rocker Asm. Pedal
56	592 85 52-01	V-Belt Drive	211	532 12 01-83	Bushing Brake Shaft
64	532 19 78-65	Shaft Asm., Pedal, Brake Control	213	532 40 31-19	Knob Control Cruise
69	532 42 33-03	Hairpin Soft Zinc .059 x 1.125	214	532 42 12-63	Pedal Forward
73	596 13 65-01	Bolt Hex Head 5/16-18 x 1-1/2	215	586 60 65-02	Pedal Reverse
92	595 30 57-01	Screw, Hex, 5/16-18 x 1.25	216	532 19 61-31	Bracket Pulley Idler
99	582 40 45-01	Rod Bypass LT K46, K57	221	532 40 31-87	Retainer Spring Clip Handle
116	596 13 57-01	Nut, Lock, Hex, Flange, 5/16-18	222	879 21 20-10	Washer 21/32 x 1-1/4 10 Ga.
125	817 00 05-12	Screw 5/16-18 x 3/4	223	598 66 26-01	Bolt, T45, 5/16-18 x 3/4, Clr, Znc
143	596 03 07-01	Screw, Hexagon, 5/16-18 x 1/2	225	532 40 33-19	Keeper Belt Trans.
153	532 00 44-97	Retainer Spring	227	596 13 59-01	Bolt, Hex 5/16-18 x 3/4 Clr. znc
159	596 02 95-01	Pin Cotter 1/8 Dia x 3/4	325	585 66 85-02	Bracket
161	532 10 57-09	Spring Return Clutch	326	585 67 08-02	Bracket
163	593 86 10-01	Rod, Control, Pedal	334	585 88 22-02	Sway Rod Bracket
166	532 42 91-64	Nut Push	336	587 25 96-02	Bolt, 5/16-18 x 1-3/4, Flanged
167	532 40 52-57	Latch Brake Parking			
170	532 19 43-22	Keeper Belt Centerspan			
171	596 13 63-01	BBolt, Cup Head, 3/8-16 x 2			
177	587 22 53-01	Pin Cotter Locking Bowtie 1"			
183	532 13 70-57	Spacer Split			
184	587 65 37-01	Handle Parking Brake			

NOTE: All component dimensions given in U.S. inches
1 inch = 25.4 mm

**TRACTOR - MODEL NO. YTH24V48 (96045006800), PRODUCT NO. 960 45 00-68
ENGINE**



TRACTOR - MODEL NO. YTH24V48 (96045006800), PRODUCT NO. 960 45 00-68 ENGINE

KEY NO.	PART NO.	DESCRIPTION
1	-----	Engine Briggs Model No. 44N877-0003-G1 (501259701) (Order parts from engine manufacturer.)
2	589 81 87-01	Muffler
9	596 50 15-02	Keeper Belt Engine 4.25", Raw
11	587 24 16-01	Clutch Electric
12	532 40 50-97	Pulley Engine
15	599 83 76-01	Fuel Tank Asm., 3.0 Gal, RR 2020
18	599 50 22-01	Cap Fuel Asm. 3" W/ Grease
20	587 24 25-01	Control Throttle/Choke
21	596 32 17-01	Screw #10 x 0.750 BOS Thread
28	532 40 11-35	Fuel Line
29	532 13 71-80	Spark Arrester Kit
37	532 12 34-87	Clamp Hose
41	532 12 61-97	Washer 1-1/2 OD x 15/32 ID x .250
42	596 23 89-01	Washer 7/16" CLR ZN
45	596 13 36-01	Locknut, Keps 1/4-20
62	532 43 40-17	Shield Heat Muffler
69	532 16 53-91	Gasket
70	581 88 11-01	Tube Exhaust LH
71	581 88 10-01	Tube Exhaust RH
79	596 13 42-02	Screw Socket 5/16-18 x 1 CLR ZN
81	532 14 84-56	Tube Drain Oil Easy
82	532 42 82-87	Valve Oil Drain
84	817 06 06-20	Screw 3/8-16 x 1-1/4
85	501 60 66-01	Bolt Hx 7/16-20 x 3.75 Gr. 5
90	817 00 06-16	Screw 3/8-16 x 1
91	532 18 74-95	Bushing
102	817 00 05-12	Screw 5/16-18 x 3/4
109	532 41 41-14	Canister Carbon Filter
110	532 41 41-18	Valve Anti-Slosh
111	596 94 15-01	Tube, Purge, Fuel 1875"
113	532 41 41-27	Valve Slant Cartridge
138	532 42 07-18	Purge Line Rear

NOTE: All component dimensions given in U.S. inches
1 inch = 25.4 mm

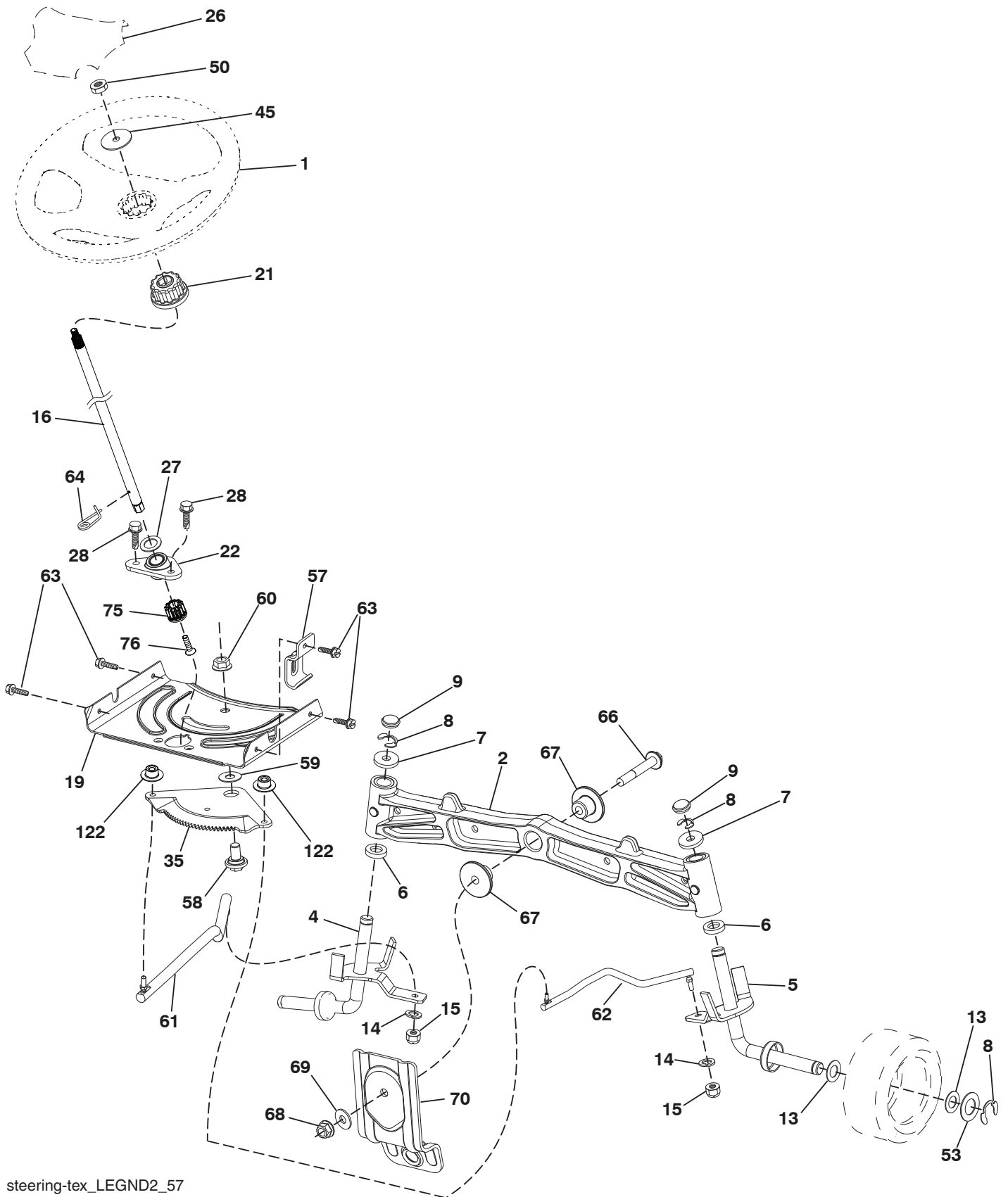
For engine service and replacement parts, call the toll free number for your engine manufacturer listed below:

Briggs & Stratton 1-800-233-3723

Engine Power Rating Information

The gross power rating for individual gas engine models is labeled in accordance with SAE (Society of Automotive Engineers) code J1940 (Small Engine Power & Torque Rating Procedure), and rating performance has been obtained and corrected in accordance with SAE J1995 (Revision 2002-05). Torque values are derived at 3060 RPM; horsepower values are derived at 3600 RPM. Actual gross engine power will be lower and is affected by, among other things, ambient operating conditions and engine-to-engine variability. Given both the wide array of products on which engines are placed and the variety of environmental issues applicable to operating the equipment, the gas engine will not develop the rated gross power when used in a given piece of power equipment (actual "on-site" or net power). This difference is due to a variety of factors including, but not limited to, accessories (air cleaner, exhaust, charging, cooling, carburetor, fuel pump, etc.), application limitations, ambient operating conditions (temperature, humidity, altitude), and engine-to-engine variability. Due to manufacturing and capacity limitations, Briggs & Stratton may substitute an engine of higher rated power for this Series engine.

TRACTOR - MODEL NO. YTH24V48 (96045006800), PRODUCT NO. 960 45 00-68
STEERING ASSEMBLY



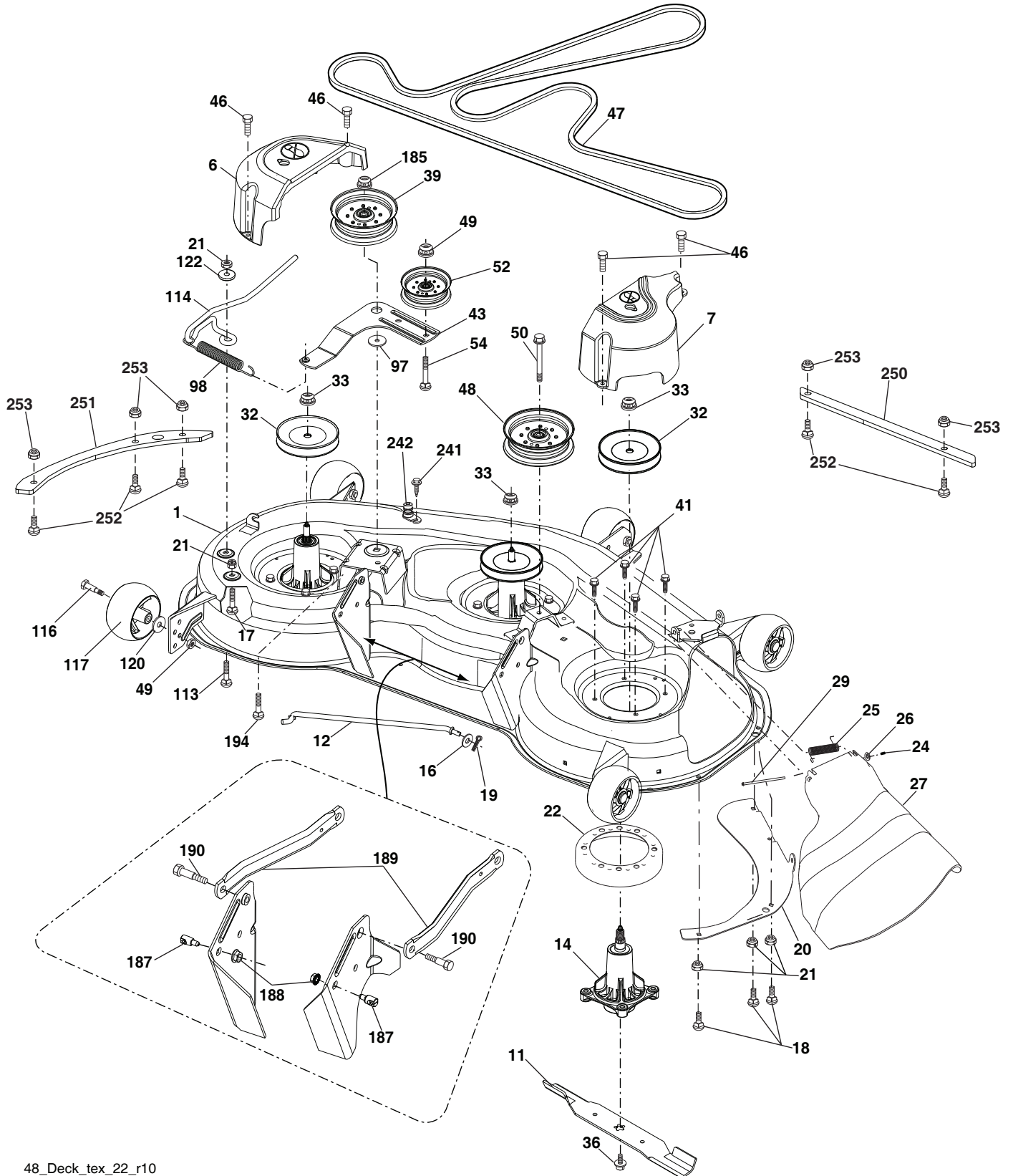
steering-tex_LEGND2_57

**TRACTOR - MODEL NO. YTH24V48 (96045006800), PRODUCT NO. 960 45 00-68
STEERING ASSEMBLY**

KEY NO.	PART NO.	DESCRIPTION
1	532 43 97-40	Wheel, Steering
2	532 19 59-68	Axle Asm., Front
4	532 40 30-87	Spindle Asm., LH
5	532 40 30-88	Spindle Asm., RH
6	532 00 62-66	Washer, Thrust .75 x 1.230
7	532 12 17-48	Washer 25/32 x 1-5/8 x 16 Ga.
8	812 00 00-29	Ring, Clip #T5304-75
9	532 12 12-32	Cap, Spindle
13	532 12 17-49	Washer 25/32 x 1-1/4 x 16 Ga.
14	596 23 87-01	Washer, Spring Lock .381 ID x .680
15	873 54 06-00	Nut, Crown Lock 3/8-24 unf
16	587 01 60-02	Steering Shaft
19	532 19 47-29	Plate Steering
21	586 84 02-01	Adapter Wheel Steering
22	585 02 98-02	Bearing
26	532 43 97-43	Insert, Wheel Steering
27	596 93 34-01	Washer, Plain
28	817 00 06-12	Screw 3/8-16 x 3/4
35	532 19 47-32	Gear, Sector Plate
45	587 01 64-01	Washer 3/8 ID 2-3/8 OD 12 Ga. PLTD
50	873 90 06-00	Nut Lock Flg 3/8-16 unc
53	532 18 89-67	Washer Hardened .793 x 1.637 x .060
57	532 19 72-46	Bracket Upstop
58	532 19 47-47	Bolt Shoulder Sector Pivot CFM
59	532 19 47-48	Washer Thrust Sector Steering
60	873 97 10-00	Nut Flange Lock 5/8-11
61	532 19 47-40	Draglink, LH
62	532 19 47-41	Draglink, RH
63	817 00 05-12	Screw 5/16-18 x 3/4
64	532 19 98-49	Retainer Clip Spring Steering
66	871 02 07-48	Bolt Hex Fghd 7/16-14 x 3 Serr
67	532 19 47-37	Bushing PM Front Axle
68	873 90 07-00	Nut Lock Flange 7/16-14 Gr. 5
69	532 19 91-62	Washer 1.5 x .505 x .118
70	585 33 88-01	Bracket Deck Susp. Front
75	580 68 37-01	Pinion
76	580 68 36-01	Screw Head Sock
122	532 44 49-62	Cap Gear Sector

NOTE: All component dimensions given in U.S. inches
1 inch = 25.4 mm

**TRACTOR - MODEL NO. YTH24V48 (96045006800), PRODUCT NO. 960 45 00-68
MOWER DECK**



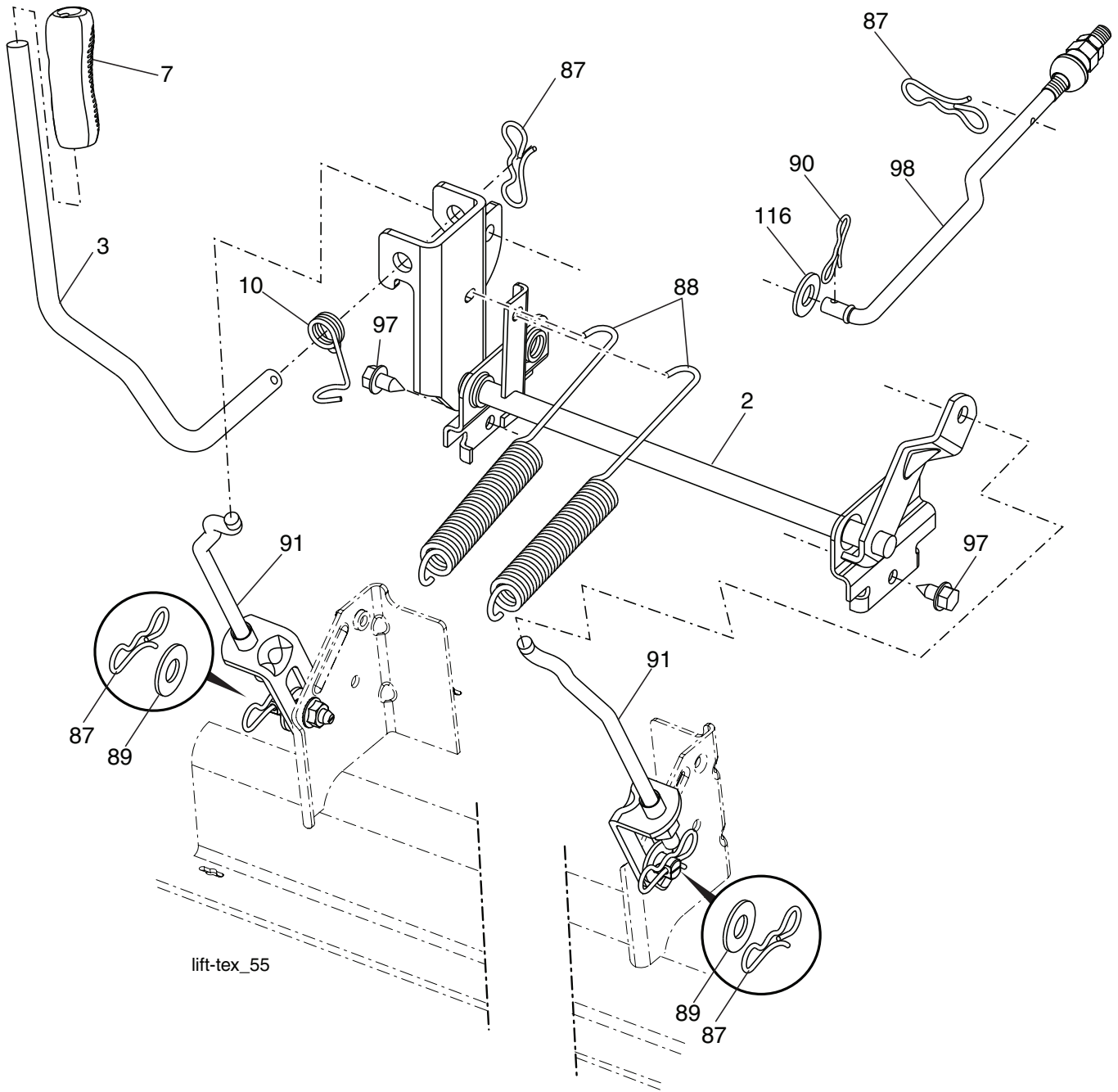
48_Deck_tex_22_r10

**TRACTOR - MODEL NO. YTH24V48 (96045006800), PRODUCT NO. 960 45 00-68
MOWER DECK**

KEY NO.	PART NO.	DESCRIPTION	KEY NO.	PART NO.	DESCRIPTION
1	532 41 82-24	Kit SVC Deck Weldment	54	596 13 61-01	Bolt Carr. Sh 3/8-16 x 1-1/2 Gr. 5
6	532 19 72-48	Cover Mandrel LH	97	532 17 85-15	Washer Hardened
7	587 45 24-01	Cover Mandrel RH	98	532 19 61-05	Spring Drive
11	532 18 00-54	Blade High Lift	113	596 43 57-01	Bolt, Sqr, 5/16-18 x 1.02 Gr. 5
12	532 40 48-51	Rod Anti-Sway	114	532 19 74-51	Rod Tension Relief
14	587 82 03-01	Kit Mandrel greaseable tall (Includes Shaft And Bolt)	116	596 43 44-04	Bolt, Shoulder, 38/-16 x 3-5/8"
16	596 13 32-01	Washer 13/32 x 13/16 x 12 Ga.	117	589 52 73-01	Gauge Wheel
17	872 11 05-05	Bolt 5/16-18 x 5/8	120	596 13 49-01	Washer, Plain, 3/8 x 7/8
18	596 13 64-01	Bolt Cup Head 5/16-18 x 5/8	122	532 18 75-57	Bushing Tension Relief
19	532 19 42-08	Pin Cotter 5/16 Bow Tie Lock	185	873 90 07-00	Nut Lock Flange 7/16-14 Gr. 5
20	532 17 43-78	Baffle Vortex	187	593 82 40-01	Stud w/"D" Anti-Rotation
21	596 04 05-01	Nut, Lock Hex PRVL 5/16-18	188	596 13 57-01	Nut lock prvl. torq. 5/16-18 x .68
22	532 17 44-93	Stripper Mandrel	189	587 14 05-02	Arm Susp. Mower Rear
24	532 10 53-04	Cap Sleeve	190	532 19 65-39	Bolt Shoulder
25	532 17 81-02	Spring, Torsion	194	874 49 07-36	Bolt 7/16 - 24
26	532 11 04-52	Nut, Push	241	532 15 29-27	Screw TT #10-32.5 3/8 Flange
27	532 18 17-07	Deflector Shield	242	532 41 55-98	Port, Washout
29	595 29 70-01	Rod, Hinge	250	585 31 80-05	Plate Reinforcement Front
32	532 15 35-32	Pulley, Mandrel	251	585 32 24-05	Plate Reinforcement Side Bolt
33	596 13 48-01	Nut, Hex 9/16-18 x 1.010	252	592 80 78-01	Carriage Bolt 1/4-20 x 1 Gr. 5
36	584 30 93-01	Screw Sems 7/16-20 x 1 Hx Hd	253	873 90 04-00	Nut Hx Flg 1/4-20 unc
39	532 19 73-80	Pulley, Idler, 4.50 Hub	--	532 41 64-05	Coupling Quick Connect
41	584 95 39-01	Bolt Hx Wshr. Hd 313-18 x 1.19	--	532 41 82-23	Replacement Mower, Complete
43	532 19 60-65	Arm, Idler			
46	532 13 77-29	Screw, Thdroll. 1/4-20 x 5/8			
47	593 77 34-01	Belt Deck Drive			
48	532 19 73-79	Pulley Idler 4.50 RAW			
49	873 90 06-00	Nut, Lock Flg. 3/8-16 unc			
50	817 49 06-36	Screw TT 3/8-16 x 2-1/4			
52	532 19 31-97	Pulley Idler 48" Primary			

NOTE: All component dimensions given in U.S. inches
1 inch = 25.4 mm

**TRACTOR - MODEL NO. YTH24V48 (96045006800), PRODUCT NO. 960 45 00-68
MOWER LIFT**

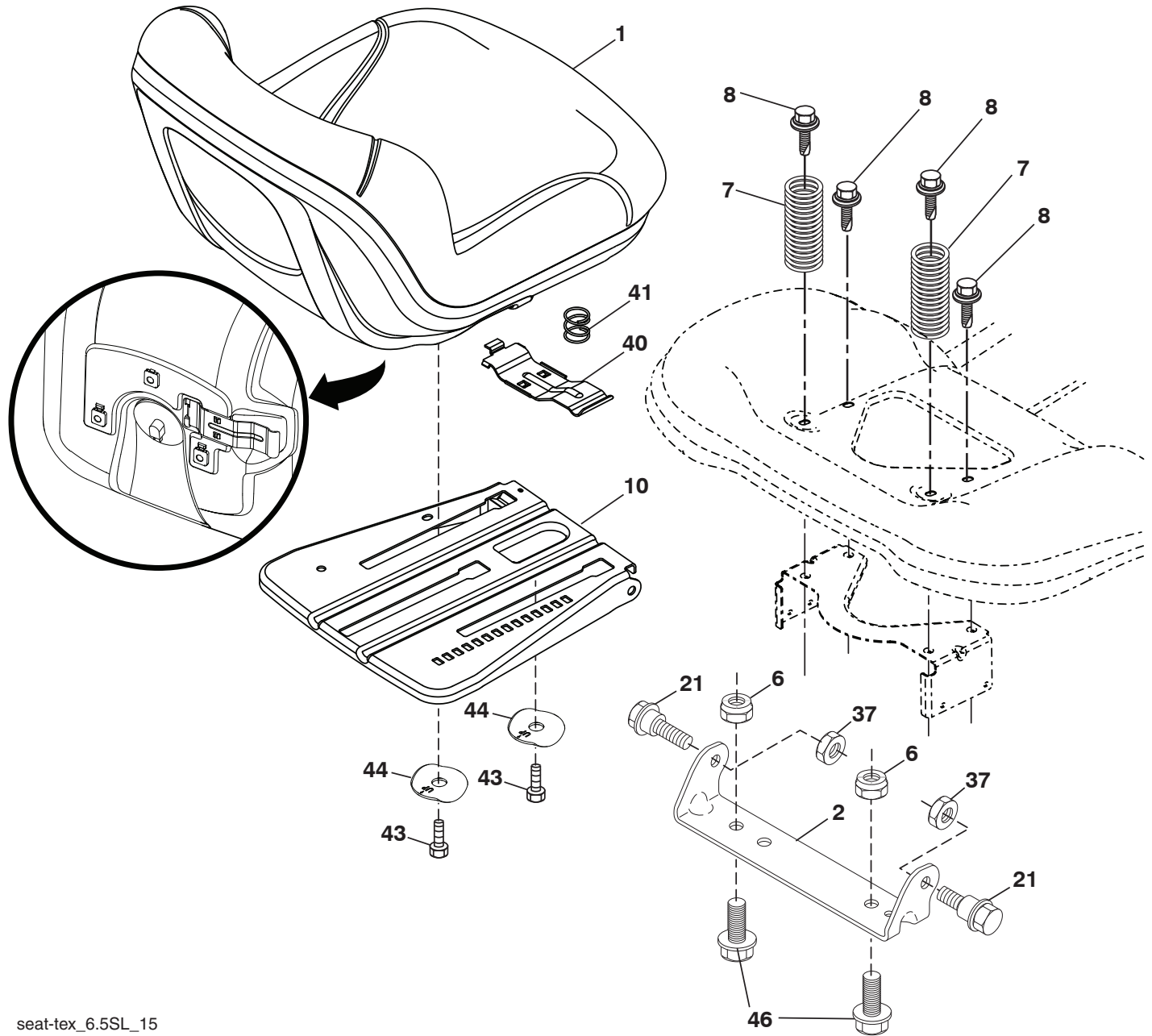


KEY NO.	PART NO.	DESCRIPTION
2	532 42 20-27	Shaft Asm. Cross, Lift
3	594 01 80-01	Handle, Lift Lever LT STD Wide
7	580 96 23-01	Grip, Lever
10	532 19 63-14	Spring Torsion
87	532 19 42-09	Pin Cotter 7/16 Bow Tie Lock
88	532 41 07-10	Spring Lift Assist
89	819 19 19-12	Washer Clear Zinc
90	532 19 42-08	Pin Cotter 5/16 Bow Tie Lock

KEY NO.	PART NO.	DESCRIPTION
91	589 46 48-03	Link Assy. Lift Rear
97	817 00 06-12	Screw 3/8-16 x .75
98	581 50 69-02	Link Asm. MWR Frnt. Susp. 9.820
116	594 97 65-01	Washer Round 15/32 x 15/16 x .065

NOTE: All component dimensions given in U.S. inches
1 inch = 25.4 mm

**TRACTOR - MODEL NO. YTH24V48 (96045006800), PRODUCT NO. 960 45 00-68
SEAT ASSEMBLY**



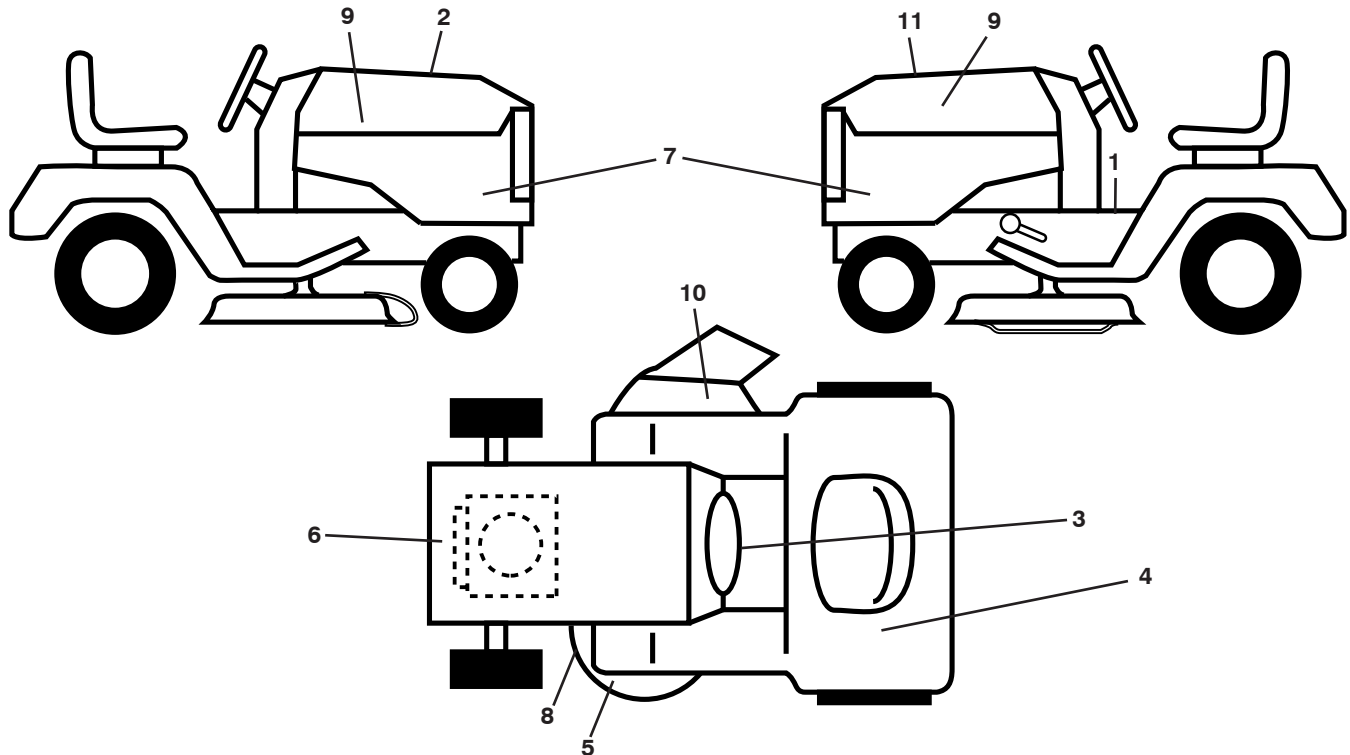
seat-tex_6.5SL_15

KEY NO.	PART NO.	DESCRIPTION
1	532 43 98-22	Seat
2	532 18 01-66	Bracket Pivot Fender
6	873 80 06-00	Nut, Lock w/Ins. 3/8-16 unc
7	589 48 35-01	Spring, Seat Cprsn
8	532 17 18-77	Bolt 5/16-18 unc x 3/4 w/Sems
10	596 65 74-02	Plate, Seat
21	587 90 78-01	Bolt, Shoulder 5/16-18 x 5/8
37	596 58 37-02	Nut, Hex 5/16-18 Nyloc Blk Zinc

KEY NO.	PART NO.	DESCRIPTION
40	595 08 81-02	Handle, Seat, Slide, E-Dip x 431
41	532 19 82-00	Spring Latch Seat
43	874 76 06-12	Bolt 3/8-16 x 3/4
44	501 05 18-01	Washer Winged
46	588 09 04-01	Bolt 3/8-16 x 1, 1.25 OD Wshr

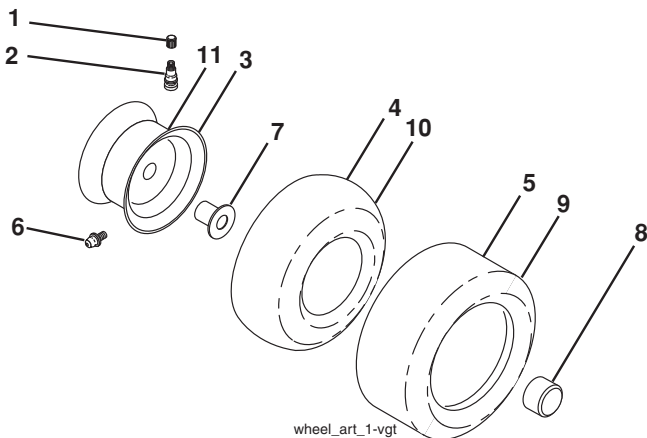
NOTE: All component dimensions given in U.S. inches
1 inch = 25.4 mm

**TRACTOR - MODEL NO. YTH24V48 (96045006800), PRODUCT NO. 960 45 00-68
DECALS**



KEY NO.	PART NO.	DESCRIPTION	KEY NO.	PART NO.	DESCRIPTION
1	586 71 38-01	Decal, Operator's	10	584 90 46-01	Decal, Deflect. Warning
2	532 42 38-29	Decal, Cust. Resp.	11	501 11 23-01	Decal, Replacement
3	596 02 42-01	Decal, Warning Spark Arrestor	--	581 72 48-01	Decal, Bypass
4	580 88 58-01	Decal, E85 Warning	--	532 43 96-81	Pad, Footrest, LH
5	581 72 45-02	Decal, Caution	--	532 43 96-82	Pad, Footrest, RH
6	585 93 73-01	Decal, Engine H.P.	--	115 94 07-49	Manual, Operator's (English/Spanish)
7	585 93 80-01	Decal, Panel Side	--	115 94 08-49	Manual, Parts (English/Spanish)
8	581 58 00-02	Decal, Mower Sch.	--	587 71 00-26	Manual, Quick Start Guide (English/Spanish)
9	581 62 73-01	Decal, Hood Logo			

WHEELS AND TIRES



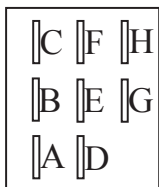
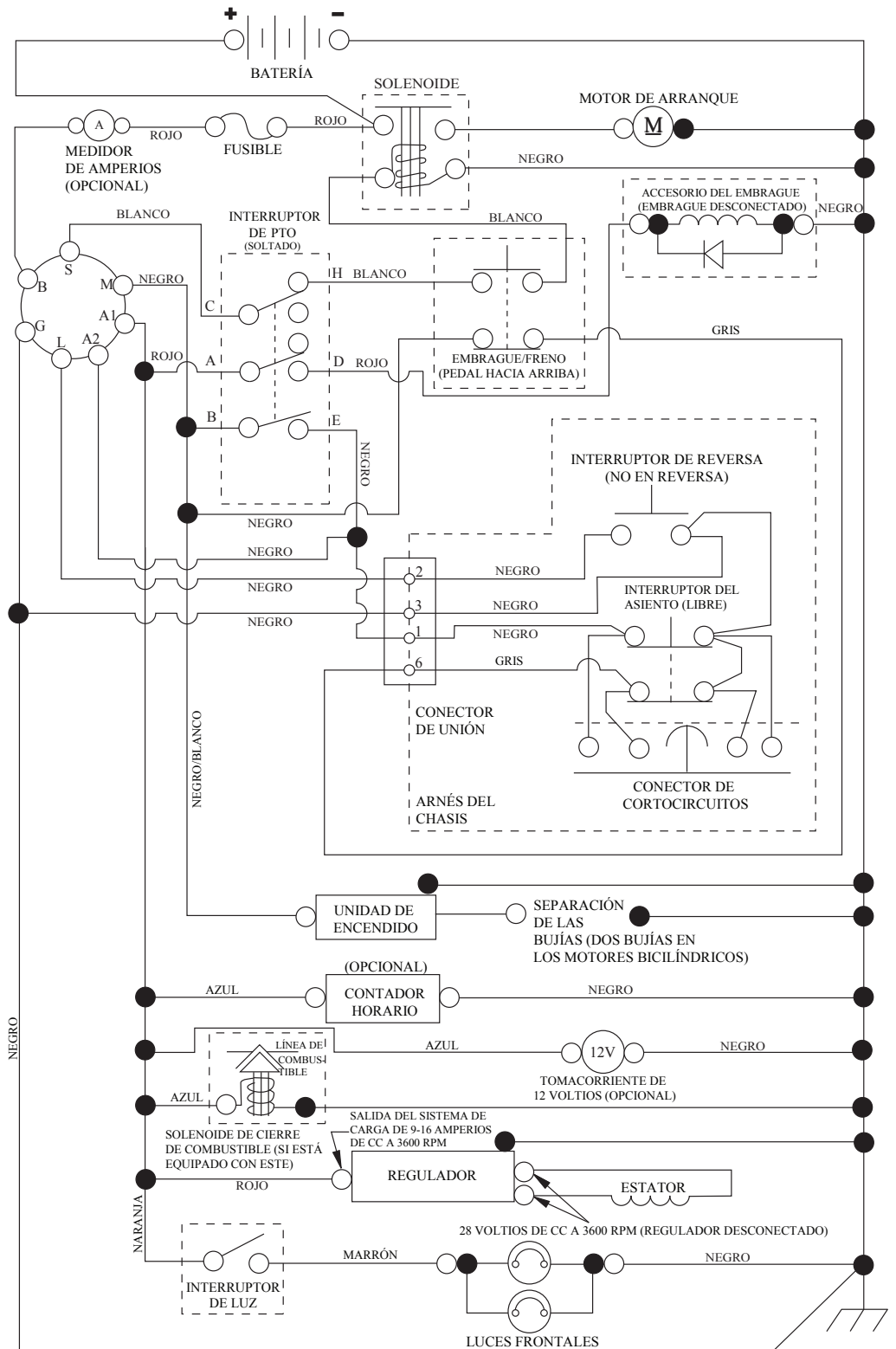
KEY NO.	PART NO.	DESCRIPTION
1	532 05 91-92	Cap, Valve, Tire
2	532 06 51-39	Stem, Valve
3	532 13 83-36	Rim Assembly, Front
4	532 05 99-04	Tube, Front (Service Item Only)
5	532 10 62-22	Tire, Front 15 x 6-6
6	532 00 02-78	Fitting, Grease (Front Wheel Only)
7	532 00 90-40	Bearing, Flange (Front Wheel Only)
8	532 17 50-39	Cap, Axle
9	532 13 84-68	Tire, Rear 20 x 8-8
10	532 00 71-52	Tube, Rear (Service Item Only)
11	532 13 83-37	Rim Assembly, Rear
--	532 14 43-34	Sealant, Tire (10 oz. Tube)

NOTE: All component dimensions given in U.S. inches
1 inch = 25.4 mm

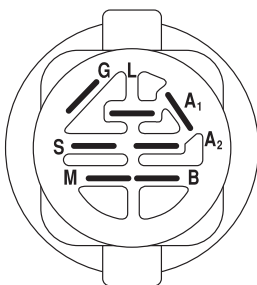
TRACTOR - MODELO NO. YTH24V48 (96045006800), PRODUCT NO. 960 45 00-68

DIAGRAMA

SCH12-s

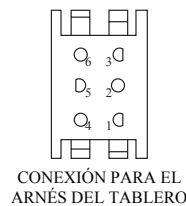


INTERRUPTOR DE PTO (CARA DE ACOPLAMIENTO)



INTERRUPTOR DE ENCENDIDO

POSICIÓN	CIRCUITO «MARCA»
APAGADO	M+G+A1
PONER EN FUNCIONAMIENTO/ANULAR	B+A1
PONER EN FUNCIONAMIENTO	B+A1 L+A2
ARRANCAR	B + S + A1

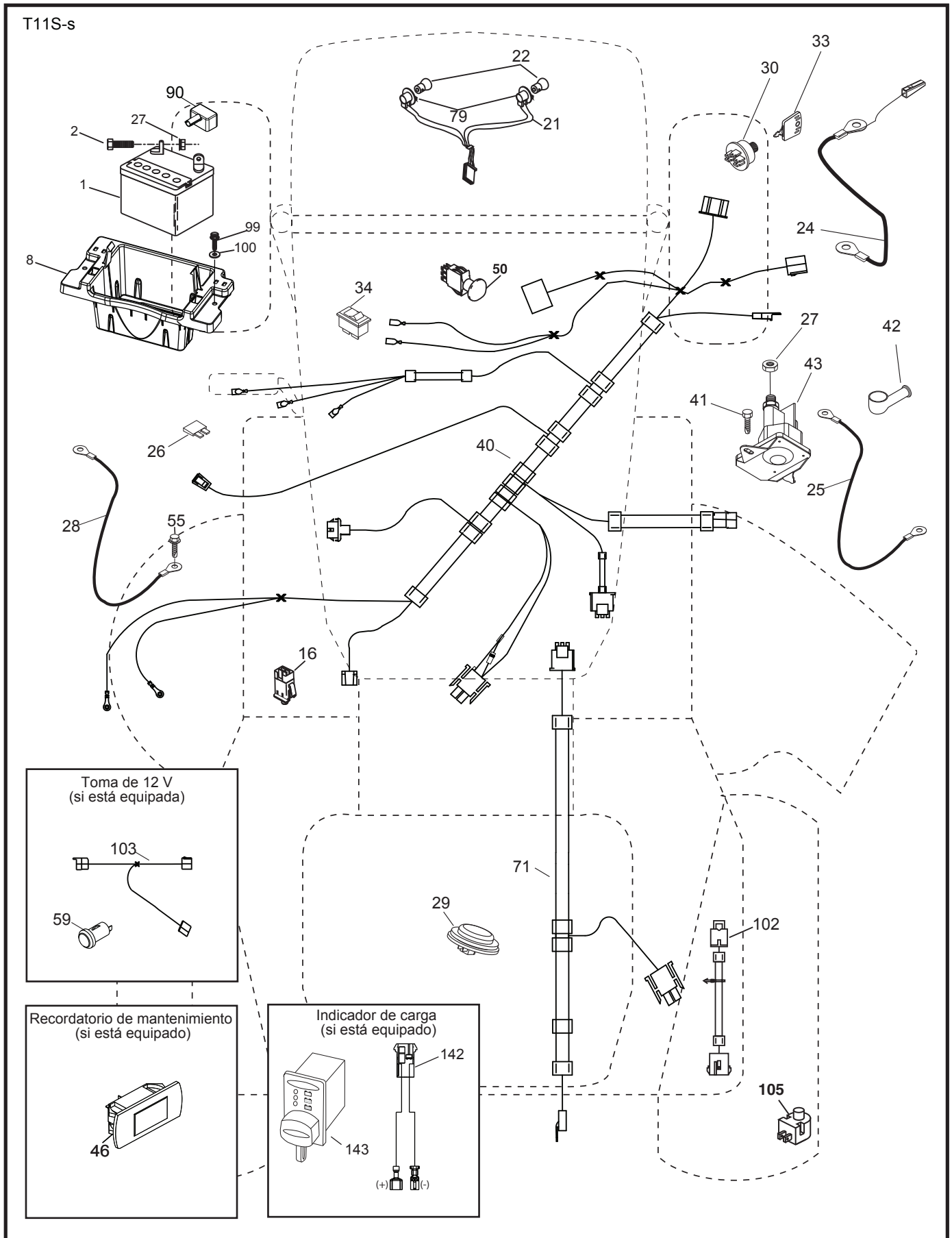


NOTA SOBRE LAS ABRAZADERAS DE AISLAMIENTO DEL CABLEADO: SI SE QUITAN LAS ABRAZADERAS DE AISLAMIENTO DEL CABLEADO PARA HACER EL MANTENIMIENTO DE LA UNIDAD, SE LAS DEBERÁ INSTALAR NUEVAMENTE PARA PROTEGER EL CABLEADO ADECUADAMENTE.

● CONEXIONES NO DESMONTABLES
○ CONEXIONES DESMONTABLES

TRACTOR - MODELO NO. YTH24V48 (96045006800), PRODUCT NO. 960 45 00-68

DIAGRAMA ELÉCTRICO

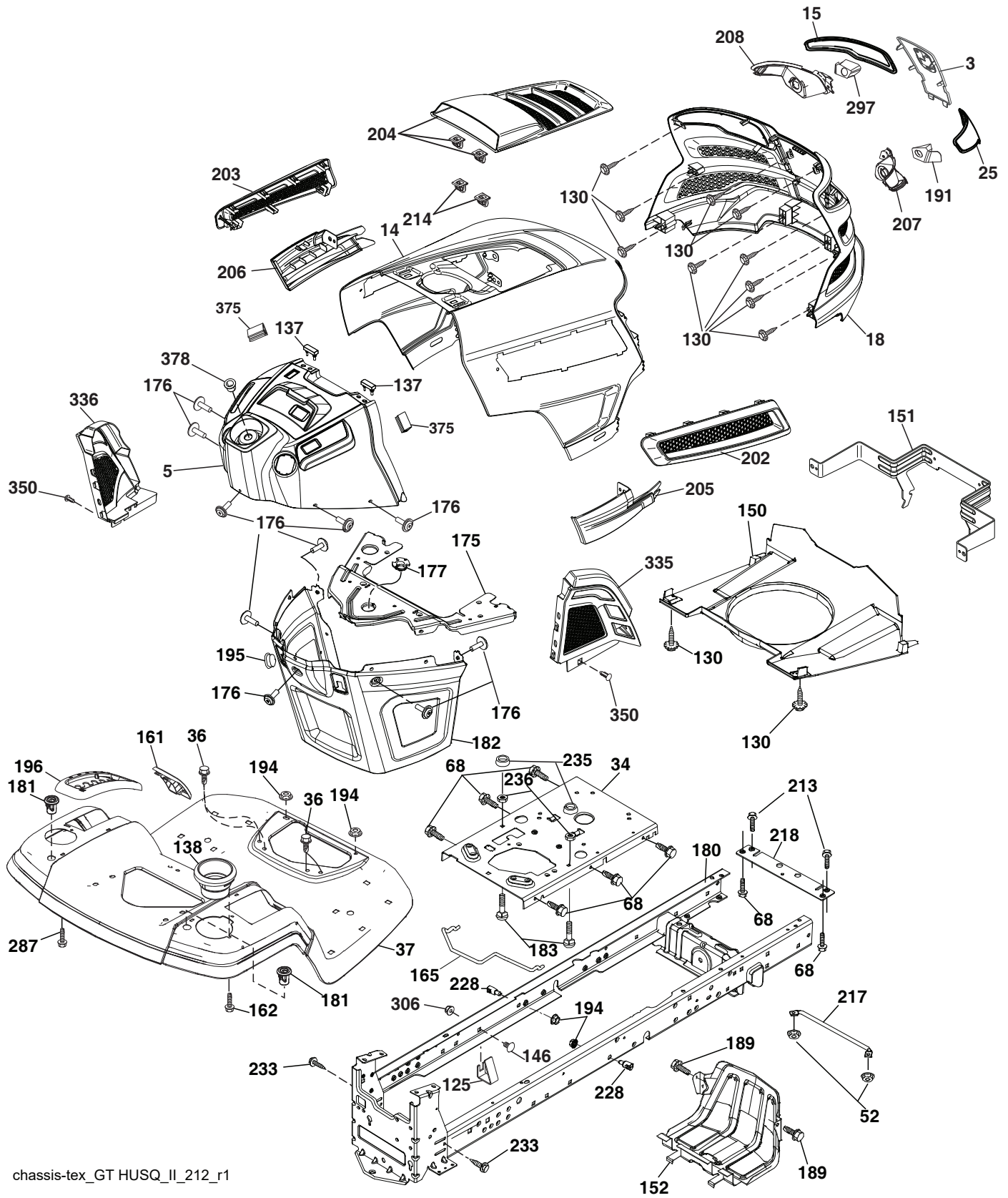


TRACTOR - MODELO NO. YTH24V48 (96045006800), PRODUCT NO. 960 45 00-68
DIAGRAMA ELÉCTRICO

CÓDIGO No.	PIEZA No.	DESCRIPCIÓN
1	532 16 34-65	Batería
2	874 76 04-12	Perno de cabeza hexagonal de 1/4-20 x 3/4
8	532 41 41-26	Puerta de la caja de la batería
16	532 17 61-38	Interruptor corta corriente a presión
21	532 40 02-52	Cableado del enchufe para la luz
22	532 00 41-52	Bombilla de luz #1156
24	585 55 56-01	Cable
25	585 55 55-01	Cable
26	532 17 51-58	Fusible
27	596 13 36-01	Tuerca de presión de 1/4-20
28	532 41 65-88	Cable a tierra 21" negro Calibre 6
29	532 40 15-45	Interruptor del asiento
30	532 19 33-50	Interruptor de encendido
33	532 41 19-33	Llave/cadena
34	532 11 07-12	Interruptor de luz/de restauración
40	501 13 29-01	Cableado del tablero de encendido
41	817 72 04-08	Tornillo
42	532 13 15-63	Cubierta de la terminal, rojo
43	582 04 28-02	Solenoides con émbolo de latón
46	594 91 91-01	Cuenta-horas, Delta
50	582 10 76-02	Interruptor PTO
55	817 06 05-12	Tornillo 5/16-18 x 3/4
71	532 19 42-76	Cableado del tablero
79	596 13 42-02	Tornillo, enchufe, 5/16-18 x 1
90	532 43 53-95	Tapa de los bornes de la batería
99	817 67 04-12	Tornillo 1/4-20 x 3/4
100	596 13 53-01	Arandela de 9/32 x 7/8
102	532 40 44-54	Cableado
105	532 40 75-68	Interruptor para retroceder TT control del pedal

NOTA: Las dimensiones de todos los componentes están expresadas en pulgadas americanas. 1 pulgada = 25,4 mm

TRACTOR - MODELO NO. YTH24V48 (96045006800), PRODUCT NO. 960 45 00-68
CHASIS



chassis-tex_GT HUSQ_II_212_r1

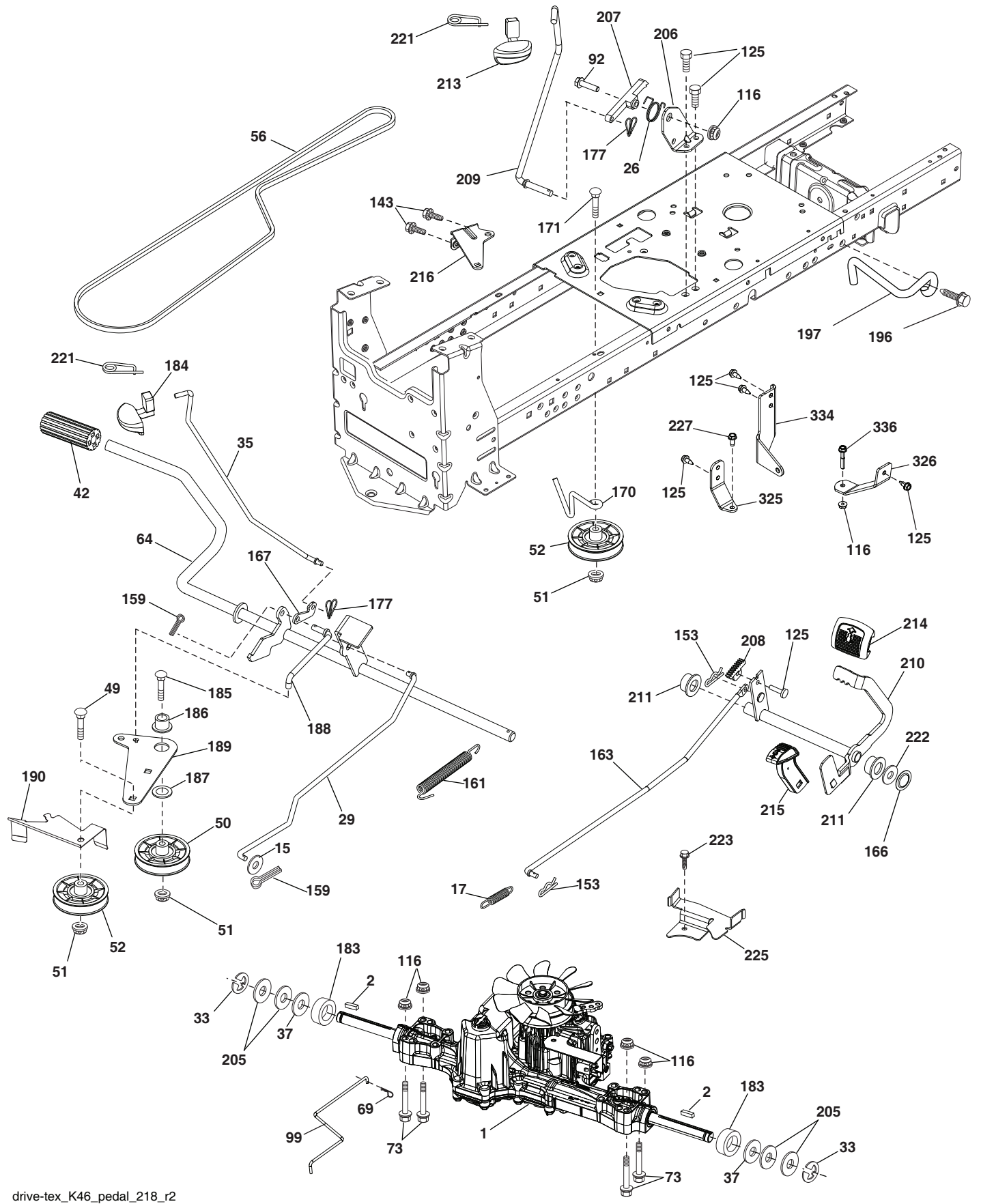
TRACTOR - MODELO NO. YTH24V48 (96045006800), PRODUCT NO. 960 45 00-68

CHASIS

CÓDIGO No.	PIEZA No.	DESCRIPCIÓN	CÓDIGO No.	PIEZA No.	DESCRIPCIÓN
3	532 44 44-81	Logo	194	596 13 57-01	Tuerca de presión de 5/16-18 X .68
5	590 74 88-21	Tablero	195	532 40 41-37	Tapón
14	532 44 11-77	Capota	196	532 43 96-47	Ensamble de la consola de la plataforma de elevación
15	532 43 97-33	Lente izquierdo de la parrilla			Salida de Ventilación (LD)
18	587 52 34-01	Parrilla	202	532 43 97-28	Salida de Ventilación (LI)
25	532 44 33-85	Lente derecho de la parrilla	203	532 43 97-27	Salida de Ventilación superior
34	580 91 08-01	Chapa Motor	204	587 48 58-01	Camisa de Capota (LD)
36	817 06 05-12	Tornillo de 5/16-18 x 3/4	205	532 43 97-30	Camisa de Capota (LI)
37	532 44 12-69	Guardabarros	206	532 43 97-29	Bisel derecho (LD)
52	596 04 05-01	Tuerca de presión de 5/16-18 x .18	207	587 46 48-01	Bisel izquierdo (LI)
68	596 03 07-01	Tornillo de 5/16-18 x 1/2	208	587 46 45-01	Perno de 5/16-18 unc x 3/4
125	581 68 48-01	Línea de combustible cierre	213	596 03 05-01	Cierre
130	596 32 17-01	Tornillo de #10 x 0.750	214	532 19 91-45	Varilla giratoria
137	532 40 75-90	Cubierta Tablero	217	532 40 91-67	Tope
138	532 43 97-47	Tenante de tasse	218	532 19 63-95	Perno prisionero con anti rotación
146	581 85 79-01	Perno 3/8-16 x 5/8	228	593 82 40-01	Tornillo
150	532 43 97-74	Cubierta térmica del conducto	233	532 19 65-39	Separador del guardabarros
151	532 43 66-70	Soporte pivotante	235	596 56 42-01	Tuerca de presión 5/16-18 unc
152	532 43 98-70	Protector contra oscurecimiento	236	873 93 05-00	Tornillo 1/4 - 20 x 3/8
161	532 43 97-81	Ventana de combustible	287	817 60 04-06	Parrilla reflectora LI
162	596 13 41-01	Tornillo de 1/4-15 x 1/2	297	532 43 74-56	Tuerca de presión de 3/8-16 unc
165	532 19 68-26	Tanque de combustible, trasero	306	879 90 06-00	Cubierta LD
175	590 60 77-02	Travesaño	335	532 44 82-04	Cubierta LI
176	532 40 07-76	Tornillo 10-24 x 5/8	336	532 44 53-09	Cierre del árbol de navidad
177	532 19 52-28	Buje de dirección	350	532 44 51-43	Cubierta Capota
180	532 19 54-57	Chasis	375	586 90 82-01	Buje de brida, plástico
181	532 43 97-46	Buje	378	590 84 98-01	
182	532 40 68-59	Tablero inferior			
183	595 30 57-01	Tornillo de 5/16-18 x 1-1/4			
189	817 00 05-12	Tornillo 5/16-18 x 3/4			
191	532 43 74-55	Parrilla reflectora LD			

NOTA: Las dimensiones de todos los componentes están expresadas en pulgadas americanas. 1 pulgada = 25,4 mm

TRACTOR - MODELO NO. YTH24V48 (96045006800), PRODUCT NO. 960 45 00-68
TRANSMISIÓN



drive-tex_K46_pedal_218_r2

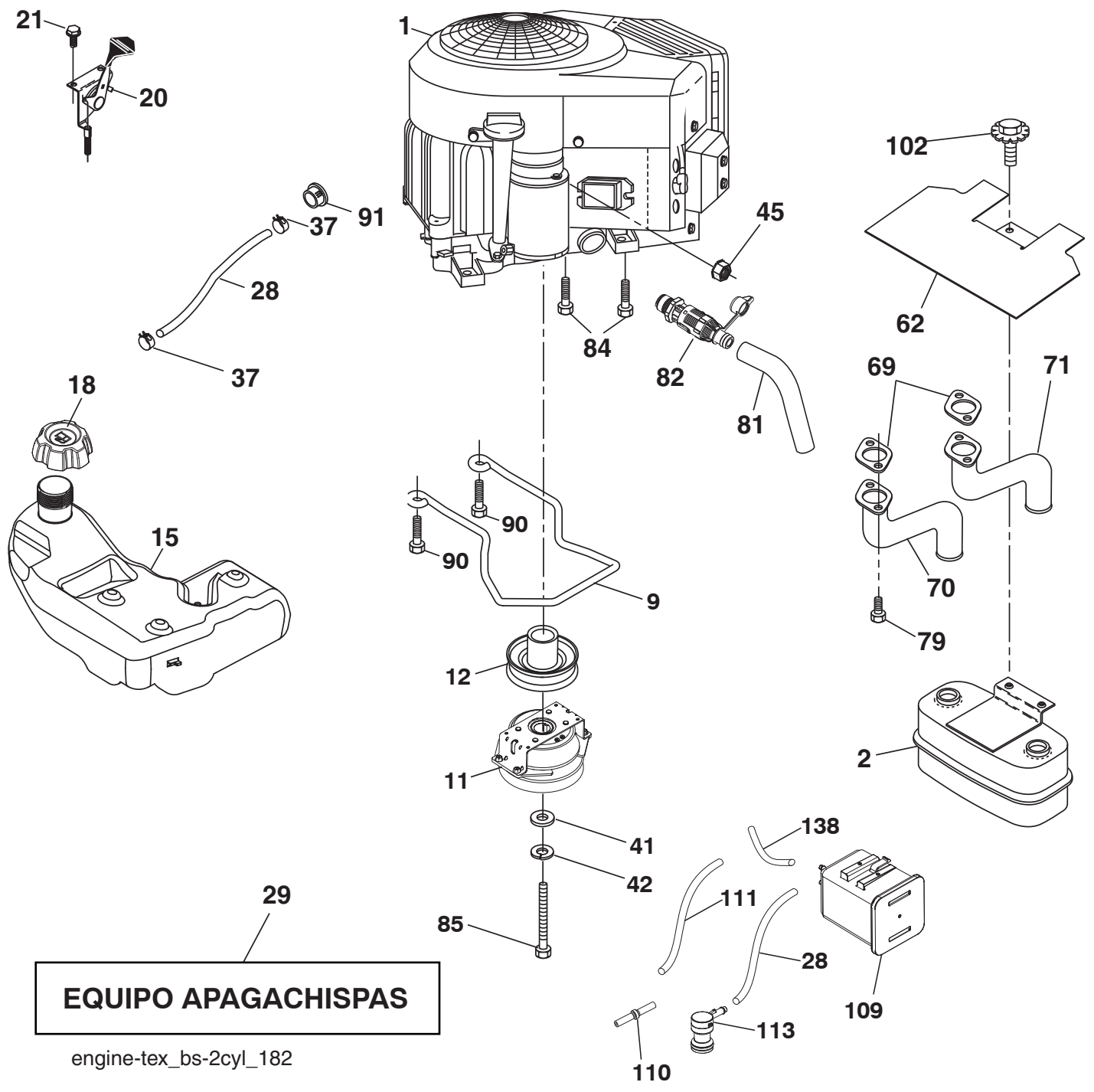
TRACTOR - MODELO NO. YTH24V48 (96045006800), PRODUCT NO. 960 45 00-68

TRANSMISIÓN

CÓDIGO No.	PIEZA No.	DESCRIPCIÓN	CÓDIGO No.	PIEZA No.	DESCRIPCIÓN
1	---	Transeje, TUFFTORQ K46 BT (426120) (Haga el pedido de las piezas al fabricante del transeje.)	187	596 13 55-01	Arandela de 13 x 32 x 2
			188	582 21 70-01	Mecanismo de desplazamiento de la varilla de mando del embrague del largo
2	532 12 35-83	Cuña, Cuadrado 2.0 x .1845/.1865			
15	596 56 53-01	Arandela de 3/8 x 0.08	189	532 19 43-17	Palanca acodada del mecanismo de desplazamiento
17	532 41 36-78	Resorte de freno			
26	532 19 96-79	Resorte	190	532 19 43-18	Sujetador de la palanca acodada del mecanismo de desplazamiento
29	532 40 38-06	Varilla del freno			
33	812 00 00-01	Aro "E"	196	817 00 06-16	Tornillo 3/8-16 x 1
35	590 60 59-02	Varilla del freno de mano	197	585 65 86-02	Soporte antirrotación
37	532 18 89-67	Arandela de .793 x 1.637 x 060	205	532 12 17-48	Arandela de 25/32 x 1-5/8 x calibre 16
42	532 00 88-83	Cubierta del pedal	206	532 44 85-96	Soporte
49	596 13 62-01	Perno de 3/8-16 x 3/4	207	587 03 14-02	Pestillo
50	532 19 43-27	Polea loca plana	208	596 56 41-01	Engranaje
51	873 90 06-00	Tuerca 3/8-16	209	590 52 78-02	Varilla de control del crucero
52	532 19 43-26	Polea loca con ranura en V con un desplazamiento	210	532 40 09-80	Ensamble del pedal
			211	532 12 01-83	Rodamiento de nylon
56	592 85 52-01	Correa de la transmisión	213	532 40 31-19	Perilla de control del crucero
64	532 19 78-65	Ensamble del eje control del pedal de freno	214	532 42 12-63	Forro del pedal para avanzar
			215	586 60 65-02	Forro del pedal para retroceder
69	532 42 33-03	Zinc suave horquilla .059 x 1.125	216	532 19 61-31	Soporte
73	596 13 65-01	Perno de 5/16-18 x 1-1/2	221	532 40 31-87	Abrazadera de retención del resorte de la manija
92	595 30 57-01	Tornillo de 5/16-18 x 1-1/4			
99	582 40 45-01	Varilla de Derivación LT K46, K57	222	879 21 20-10	Arandela de 21/32 x 1-1/4 calibre 10
116	596 13 57-01	Tuerca de 5/16-18 x .68	223	598 66 26-01	Perno De T45. 5/16-18 x .75
125	817 00 05-12	Tornillo de 5/16-18 x 3/4	225	532 40 33-19	Fijador de la correa
143	596 03 07-01	Tornillo de 5/16-18 x 1/2	227	596 13 59-01	Perno de 5/16-18 x 3/4
153	532 00 44-97	Resorte	325	585 66 85-02	Soporte
159	596 02 95-01	Goupille Fendue 1/8 Dia. x 3/4	326	585 67 08-02	Soporte
161	532 10 57-09	Resorte de retorno del embrague 6.75	334	585 88 22-02	Soporte
163	593 86 10-01	Tige, K46/K57R	336	587 25 96-02	Perno de 5/16-18 x 1-3/4
166	532 42 91-64	Tuerca de presión .625			
167	532 40 52-57	Pestillo del freno de mano			
170	532 19 43-22	Fijador de la correa			
171	596 13 63-01	Perno 3/8-16 x 2			
177	587 22 53-01	Abrazadera de retención 1 In.			
183	532 13 70-57	Separador			
184	587 65 37-01	Manija del freno de mano			
185	872 11 06-22	Perno de 3/8-16 unc x 2-3/4 grado 5			
186	532 19 43-21	Espaciador de retención			

NOTA: Las dimensiones de todos los componentes están expresadas en pulgadas americanas. 1 pulgada = 25,4 mm

TRACTOR - MODELO NO. YTH24V48 (96045006800), PRODUCT NO. 960 45 00-68
MOTOR



TRACTOR - MODELO NO. YTH24V48 (96045006800), PRODUCT NO. 960 45 00-68

MOTOR

CÓDIGO No.	PIEZA No.	DESCRIPCIÓN
1	---	Motor Briggs modelo No. 44N877-0003-G1 (501259701) (Haga el pedido de las piezas al fabricante del motor.)
2	589 81 87-01	Silenciador
9	596 50 15-02	Ensamble del sujetador de la correa del motor
11	587 24 16-01	Embrague de eléctrico
12	532 40 50-97	Polea del motor
15	599 83 76-01	Depósito de combustible 3 galón
18	599 50 22-01	Ensamble de la tapa 3"
20	587 24 25-01	Control del regulador
21	596 32 17-01	Tornillo de #10 x 0.750
28	532 40 11-35	Línea de combustible
29	532 13 71-80	Equipo apagachispas
37	532 12 34-87	Abrazadera de la manguera
41	532 12 61-97	Arandela 1-1/2 OD x 15/32 ID x .250
42	596 23 89-01	Arandela de 7/16"
45	596 13 36-01	Tuerca de presión de 1/4-20
62	532 43 40-17	Silenciador con pantalla térmica
69	532 16 53-91	Junta
70	581 88 11-01	Tubo de escape (L.I.)
71	581 88 10-01	Tubo de escape (L.D.)
79	596 13 42-02	Tornillo de 5/16-18 x 1
81	532 14 84-56	Tubo de fácil drenaje de aceite
82	532 42 82-87	Aceite drenaje válvula
84	817 06 06-20	Tornillo 3/8-16 x 1-1/4
85	501 60 66-01	Perno 7/16-20 x 3.75 calibre 5
90	817 00 06-16	Tornillo 3/8-16 x 1
91	532 18 74-95	Buje
102	817 00 05-12	Tornillo 5/16-18 x 3/4
109	532 41 41-14	Bote
110	532 41 41-18	Válvula
111	596 94 15-01	Línea de purga .1875"
113	532 41 41-27	Válvula
138	532 42 07-18	Línea de purge

NOTA: Las dimensiones de todos los componentes están expresadas en pulgadas americanas. 1 pulgada = 25,4 mm

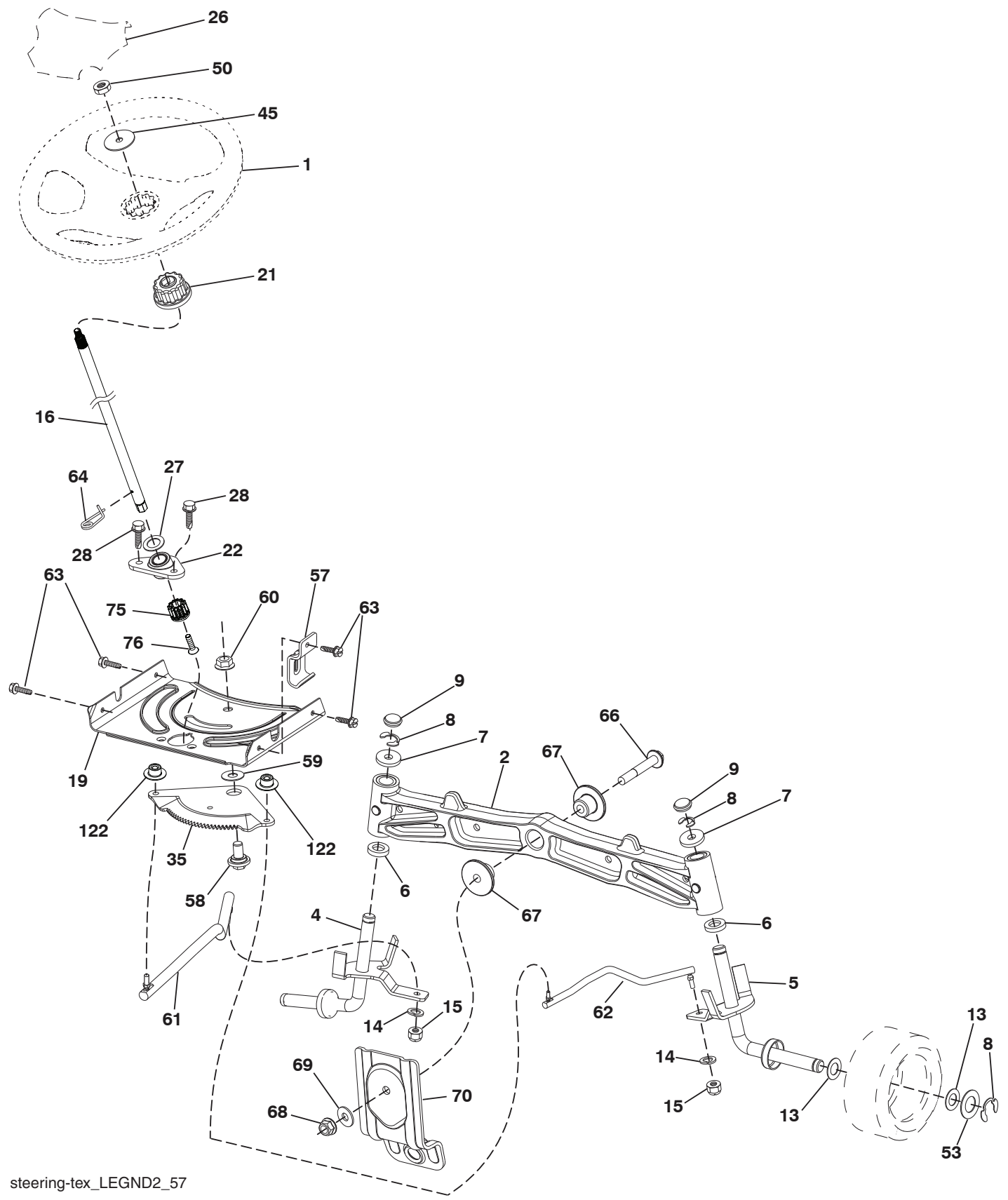
Para el servicio de motor y repuestos, llame el número de llamada gratuita para su fabricante de motor listó abajo:

Briggs & Stratton 1-800-233-3723

Información de Clasificación de Potencia del Motor

La clasificación de potencia para un modelo de motor a gas en particular se designa de acuerdo al código J1940 de SAE (Sociedad de Ingenieros Automotrices) (Procedimiento de Clasificación de Potencia & Torque del Motor Pequeño), y la clasificación de desempeño ha sido obtenida y corregida de acuerdo con el código J1995 de SAE (Revisión 2002-05). Los valores de torque se obtienen a 3060 RPM; los valores de potencia se obtienen a 3600 RPM. La potencia bruta actual del motor será inferior y está afectada, entre otras cosas, por las condiciones ambientales operativas y la variabilidad de motor a motor. Dado ambos un amplio conjunto de productos en los cuales son puestos nuestros motores, y la variedad de emisiones ambientales aplicables al operar el equipo, el motor a gas no desarrollará la potencia nominal cuando sea usado en una parte del equipo acoplado (potencia real "en el-sitio" o potencia neta). Esta diferencia se debe a una variedad de factores que incluyen, pero que no están limitados a, accesorios (filtro de aire, sistema de escape, sistema de carga, sistema de enfriamiento, carburador, bomba de combustible, etc.) limitaciones de la aplicación, condiciones ambientales de operación (temperatura, humedad, altitud), y la variabilidad de motor a motor. Debido a las limitaciones, Briggs & Stratton puede sustituir este motor con clasificación de potencia más alta por esta serie de motor.

TRACTOR - MODELO NO. YTH24V48 (96045006800), PRODUCT NO. 960 45 00-68
ENSAMBLE DE LA DIRECCIÓN



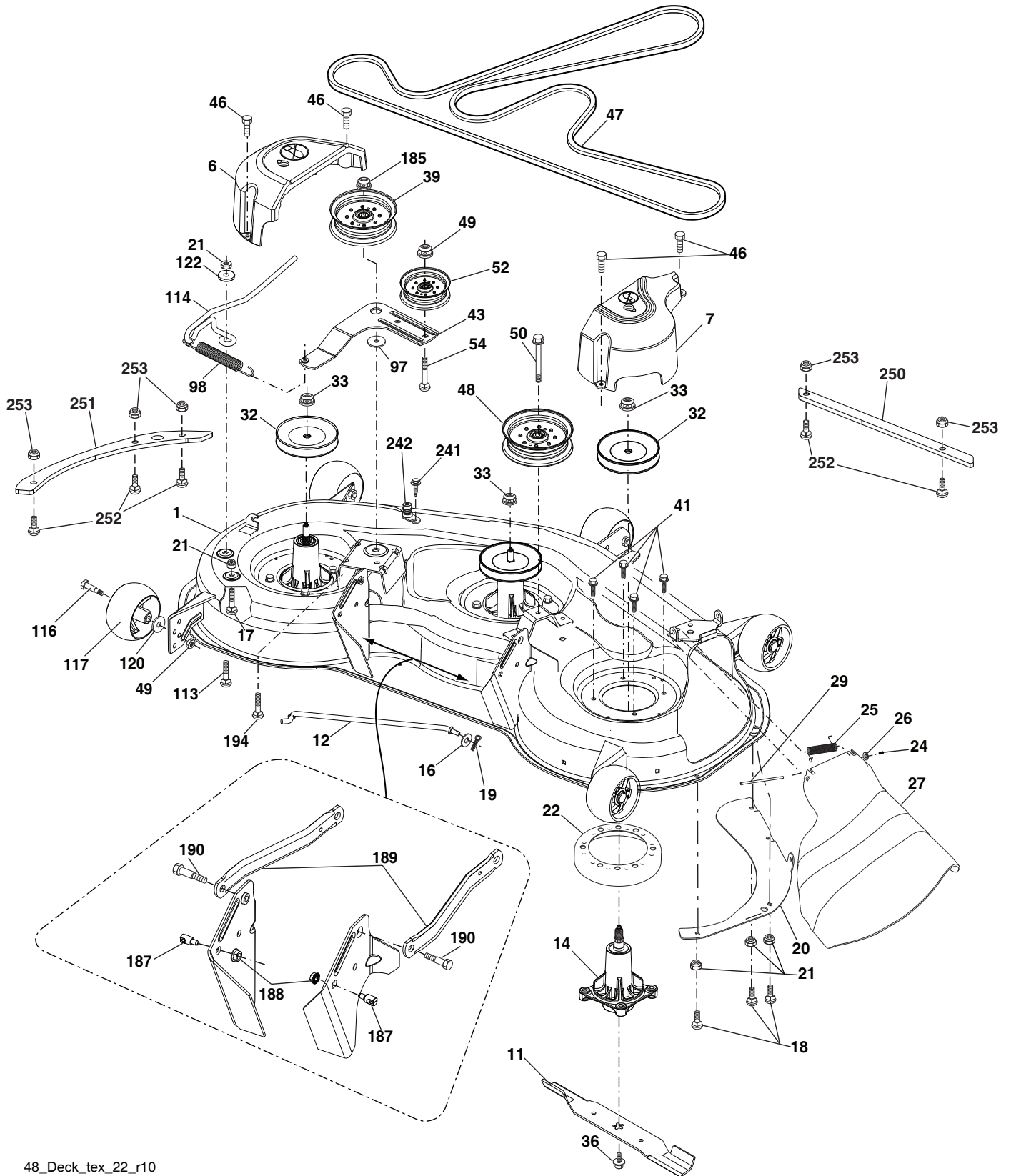
steering-tex_LEGND2_57

TRACTOR - MODELO NO. YTH24V48 (96045006800), PRODUCT NO. 960 45 00-68
ENSAMBLE DE LA DIRECCIÓN

CÓDIGO No.	PIEZA No.	DESCRIPCIÓN
1	532 43 97-40	Volante de dirección
2	532 19 59-68	Eje delantero
4	532 40 30-87	Ensamble del husillo izquierdo
5	532 40 30-88	Ensamble del husillo derecho
6	532 00 62-66	Arandela de .75 x 1.230
7	532 12 17-48	Arandela 25/32 x 1-5/8 x Calibre 16
8	812 00 00-29	Abrazadera del aro No. T5304-75
9	532 12 12-32	Tapa del husillo
13	532 12 17-49	Arandela 25/32 x 1-1/4 x Calibre 16
14	596 23 87-01	Arandela de .381 x .680
15	873 54 06-00	Tuerca corona de presión de 3/8-24 unc
16	587 01 60-02	Eje de dirección
19	532 19 47-29	Placa de dirección
21	586 84 02-01	Adaptador del volante de dirección
22	585 02 98-02	Rodamiento
26	532 43 97-43	Inserto del volante de dirección
27	596 93 34-01	Arandela
28	817 00 06-12	Tornillo 3/8-16 x 3/4
35	532 19 47-32	Engranaje del sector de la placa
45	587 01 64-01	Arandela 3/8 ID 2-3/8 OD calibre 12 PLTD
50	873 90 06-00	Tuerca 3/8-16 unc
53	532 18 89-67	Arandela .793 x 1.637 x .060
57	532 19 72-46	Tope superior del soporte
58	532 19 47-47	Perno de tope del sector del pivote CFM
59	532 19 47-48	Arandela de empuje del sector de dirección
60	873 97 10-00	Tuerca de presión con brida de 5/8-11
61	532 19 47-40	Barra de acoplamiento izquierda
62	532 19 47-41	Barra de acoplamiento derecha
63	817 00 05-12	Tornillo 5/16-18 x 3/4
64	532 19 98-49	Abrazadera de retención del resorte de la dirección
66	871 02 07-48	Perno de cabeza 7/16-14 x 3
67	532 19 47-37	Buje PM del eje delantero
68	873 90 07-00	Tuerca de presión con brida de 7/16-14 grado 5
69	532 19 91-62	Arandela 1.5 x .505 x .118
70	585 33 88-01	Soporte de la plataforma delantera
75	580 68 37-01	Piñón
76	580 68 36-01	Tornillo
122	532 44 49-62	Tapa

NOTA: Las dimensiones de todos los componentes están expresadas en pulgadas americanas. 1 pulgada = 25,4 mm

TRACTOR - MODELO NO. YTH24V48 (96045006800), PRODUCT NO. 960 45 00-68
PLATAFORMA DE LA CORTADORA DE CÉSPED



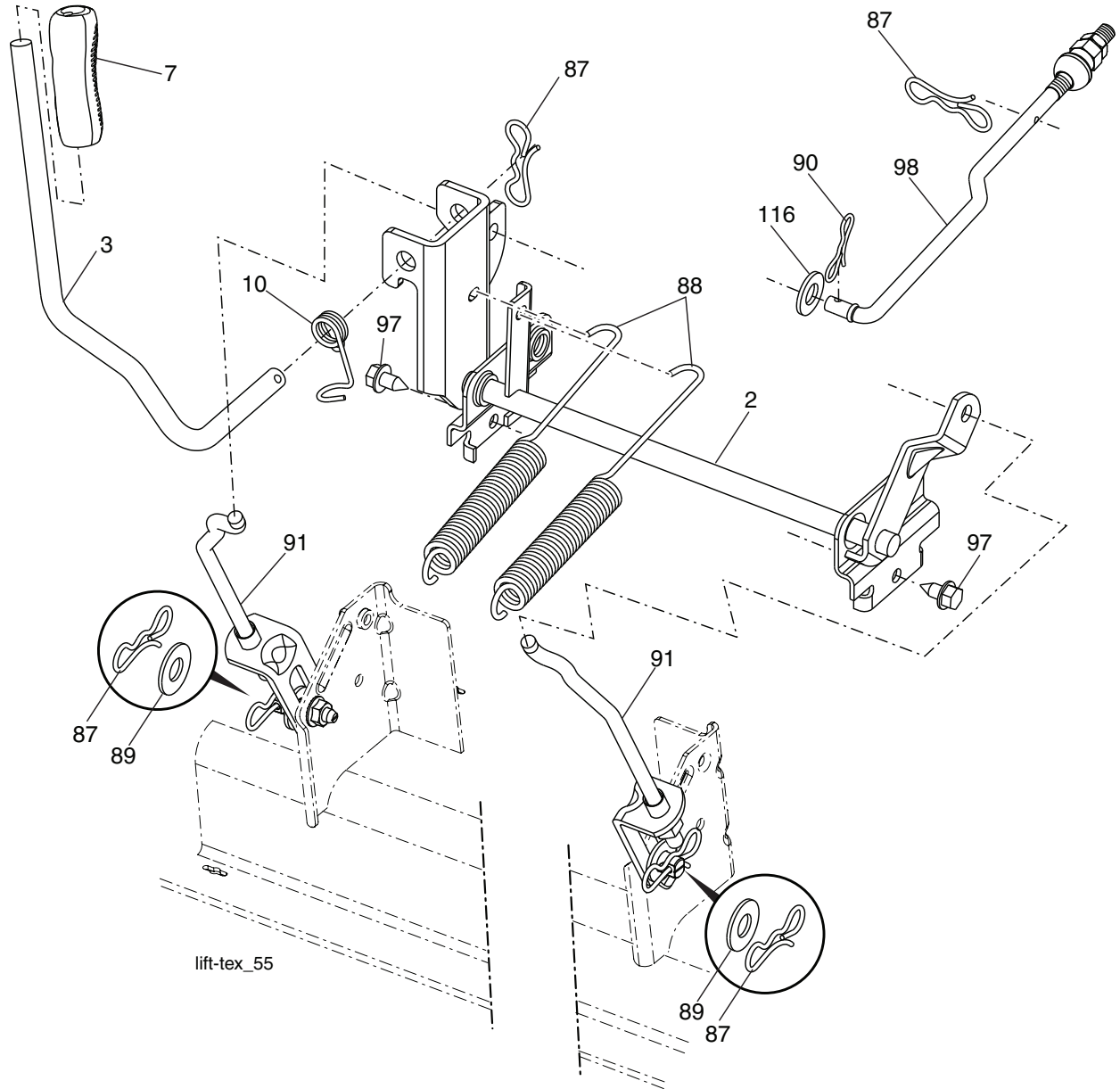
48_Deck_tex_22_r10

TRACTOR - MODELO NO. YTH24V48 (96045006800), PRODUCT NO. 960 45 00-68
PLATAFORMA DE LA CORTADORA DE CÉSPED

CÓDIGO No.	PIEZA No.	DESCRIPCIÓN	CÓDIGO No.	PIEZA No.	DESCRIPCIÓN
1	532 41 82-24	Carcasa de la cortadora de césped	97	532 17 85-15	Arandela
6	532 19 72-48	Cubierta izquierda del mandril	98	532 19 61-05	Accionamiento por resortes
7	587 45 24-01	Cubierta derecha del mandril	113	596 43 57-01	Perno de 5/16-18 x 1.02
11	532 18 00-54	Cuchilla de la cortadora	114	532 19 74-51	Varilla
12	532 40 48-51	Varilla	116	596 43 44-04	Perno de 3/8-16 x 3-5/8
14	587 82 03-01	Conjunto del mandril (incluye Eje del mandril y tornillos)	117	589 52 73-01	Calibrador de la rueda
16	596 13 32-01	Arandela de 13/32 x 13/16 x 12	120	596 13 49-01	Arandela de 3/8 x 7/8"
17	872 11 05-05	Perno 5/16-18 x 5/8	122	532 18 75-57	Buje
18	596 13 64-01	Perno de 5/16-18 x 5/8	185	873 90 07-00	Tuerca de presión con brida 7/16-14 grado 5
19	532 19 42-08	Pasador de chaveta de 5/16 con bloqueo en forma de mariposa	187	593 82 40-01	Perno prisionero con anti rotación
20	532 17 43-78	Torbellino de deflector	188	596 13 57-01	Tuerca de presión de 5/16-18 x .68
21	596 04 05-01	Tuerca de presión de 5/16-18	189	587 14 05-02	Brazo de la suspensión trasera
22	532 17 44-93	Separador de mandril	190	532 19 65-39	Perno de tope
24	532 10 53-04	Tapa de la manga	194	874 49 07-36	Perno 7/16-24
25	532 17 81-02	Resorte de torsión	241	532 15 29-27	Tornillo TT #10-32.5 3/8
26	532 11 04-52	Tuerca	242	532 41 55-98	Puerto de Lavado de la Cubierta
27	532 18 17-07	Protector del deflector	250	585 31 80-05	Placa de refuerzo frontal
29	595 29 70-01	Varilla de la bisagra	251	585 32 24-05	Placa de refuerzo lateral
32	532 15 35-32	Polea del mandril	252	592 80 78-01	Perno 1/4-20 x1 grado 5
33	596 13 48-01	Tuerca de 9/16-18 x 1.010	253	873 90 04-00	Tuerca 1/4-20 unc
36	584 30 93-01	Tornillo 7/16-20 x 1	--	532 41 64-05	Accesorio del conexión
39	532 19 73-80	Polea loca 4.50	--	532 41 82-23	Reemplazo de la cortadora de césped, completa
41	584 95 39-01	Perno 313-18 x 1.19			
43	532 19 60-65	Brazo de la polea			
46	532 13 77-29	Tornillo 1/4-20 x 5/8			
47	593 77 34-01	Correa de la transmisión			
48	532 19 73-79	Polea loca 4.50 RAW			
49	873 90 06-00	Tuerca de presión con brida 3/8-16 unc			
50	817 49 06-36	Tornillo TT 3/8-16 x 2-1/4			
52	532 19 31-97	Polea loca primaria 48"			
54	596 13 61-01	Perno de 3/8-16 x 1-1/2			

NOTA: Las dimensiones de todos los componentes están expresadas en pulgadas americanas. 1 pulgada = 25,4 mm

TRACTOR - MODELO NO. YTH24V48 (96045006800), PRODUCT NO. 960 45 00-68
ELEVACIÓN DE LA CORTADORA DE CÉSPED

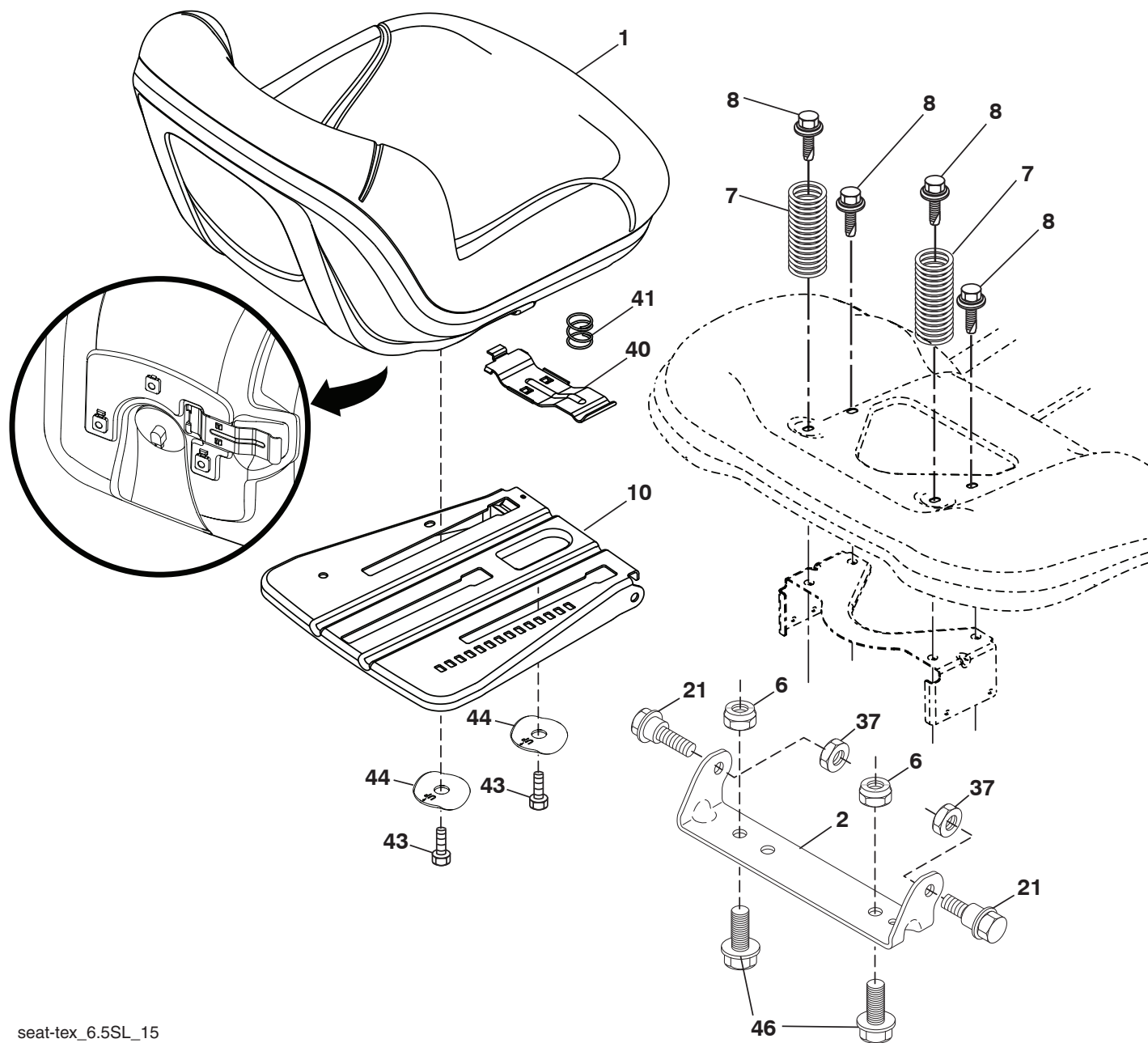


CÓDIGO No.	PIEZA No.	DESCRIPCIÓN
2	532 42 20-27	Ensamble del eje de la elevación
3	594 01 80-01	Ensamble de la palanca de elevación
7	580 96 23-01	Mango de la palanca
10	532 19 63-14	Resorte de torsión
87	532 19 42-09	Pasador de chaveta de 7/16 con bloqueo en forma de mariposa
88	532 41 07-10	Resorte de ayuda de la elevación
89	819 19 19-12	Arandela de zinc transparente
90	532 19 42-08	Pasador de chaveta de 5/16 con bloqueo en forma de mariposa

CÓDIGO No.	PIEZA No.	DESCRIPCIÓN
91	589 46 48-03	Ensamble del acoplamiento Elevación trasera
97	817 00 06-12	Tornillo de 3/8-16 x 0,75
98	581 50 69-02	Ensamble del acoplamiento Elevación Frente
116	594 97 65-01	Arandela 15/32 x 15/16 x .065

NOTA: Las dimensiones de todos los componentes están expresadas en pulgadas americanas. 1 pulgada = 25,4 mm

TRACTOR - MODELO NO. YTH24V48 (96045006800), PRODUCT NO. 960 45 00-68
ENSAMBLE DEL ASIENTO



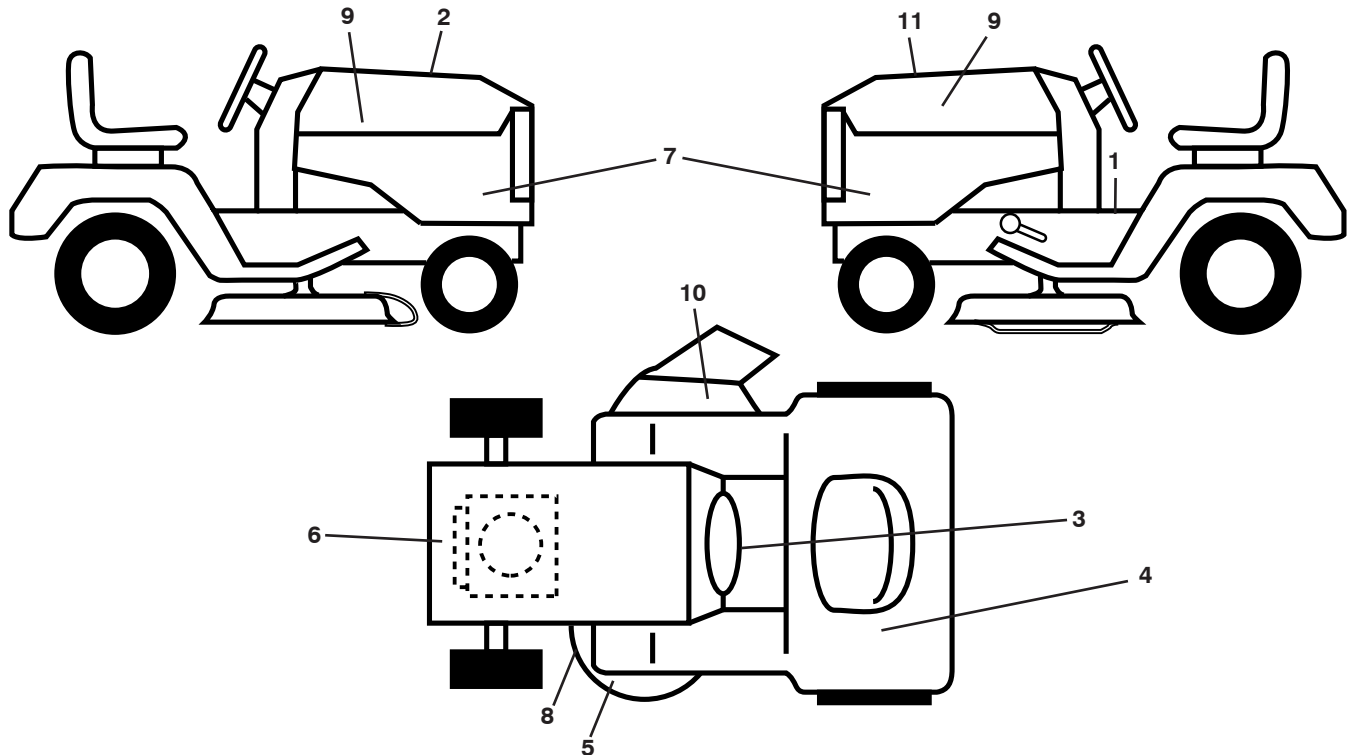
seat-tex_6.5SL_15

CÓDIGO No.	PIEZA No.	DESCRIPCIÓN
1	532 43 98-22	Asiento
2	532 18 01-66	Soporte pivotante del guardabarros
6	873 80 06-00	Tuerca de presión c/aislamiento de 3/8-16 unc
7	589 48 35-01	Resorte del asiento
8	532 17 18-77	Perno de 5/16" unc x 3/4"
10	596 65 74-02	Chapa del Asiento
21	587 90 78-01	Perno de tope de 5/16-18 x 5/8
37	596 58 37-02	Tuerca 5/16-18

CÓDIGO No.	PIEZA No.	DESCRIPCIÓN
40	595 08 81-02	Manija para deslizar el asiento x 431
41	532 19 82-00	Resorte para trabar el asiento
43	874 76 06-12	Perno de cabeza hexagonal con aleta de 3/8-16 unc x 3/4
44	501 05 18-01	Lavadora con alas
46	588 09 04-01	Perno 3/8-16 x 1, 1.25 OD Arandela

NOTA: Las dimensiones de todos los componentes están expresadas en pulgadas americanas. 1 pulgada = 25,4 mm

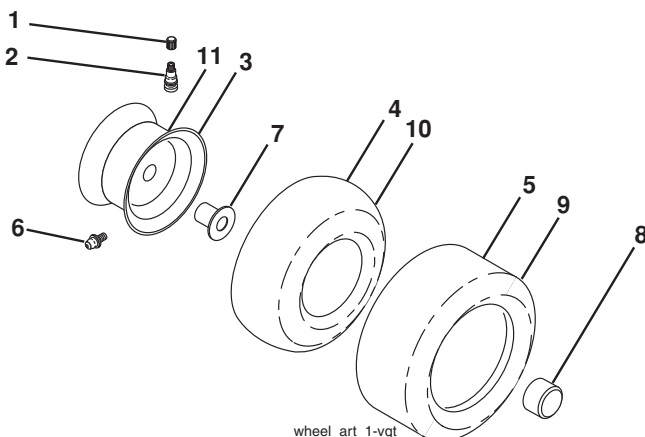
CALCOMANÍAS



CÓDIGO No.	PIEZA No.	DESCRIPCIÓN
1	586 71 38-01	Calcomanía para el guardabarros del operador
2	532 42 38-29	Calcomanía responsabilidad del cliente
3	596 02 42-01	Calcomanía precaución
4	580 88 58-01	Calcomanía de E85 advertencia
5	581 72 45-02	Calcomanía precaución
6	585 93 73-01	Calcomanía H.P.
7	585 93 80-01	Calcomanía para el panel lateral
8	581 58 00-02	Calcomanía del diagrama de la cortadora de césped

CÓDIGO No.	PIEZA No.	DESCRIPCIÓN
9	581 62 73-01	Calcomanía para el logo de la capota
10	584 90 46-01	Calcomanía precaución
11	501 11 23-01	Calcomanía de reemplazo
--	581 72 48-01	Calcomanía para la desviación
--	532 43 96-81	Forro del apoyo para los pies (LI)
--	532 43 96-82	Forro del apoyo para los pies (LD)
--	115 94 07-49	Manual del operador (Inglés/Español)
--	115 94 08-49	Manual De Repuestos (Inglés/Español)
--	587 71 00-26	Guía de inicio rápido (Inglés/Español)

RUEDAS Y NEUMÁTICOS



CÓDIGO No.	PIEZA No.	DESCRIPCIÓN
1	532 05 91-92	Tapa de la válvula del neumático
2	532 06 51-39	Vástago de la válvula
3	532 13 83-36	Ensamble de las llantas delanteras
4	532 05 99-04	Cámara delantera (Mantenimiento sólo)
5	532 10 62-22	Neumático delantero 15 x 6-6
6	532 00 02-78	Accesorio para engrasar (solo para la rueda delantera)
7	532 00 90-40	Rodamiento de la brida (solo para la rueda delantera)
8	532 17 50-39	Tapa del eje
9	532 13 84-68	Neumático trasero 20 x 8-8
10	532 00 71-52	Cámara trasera (Mantenimiento sólo)
11	532 13 83-37	Ensamble trasero de la llanta
--	532 14 43-34	Sellador para neumáticos (tubo de 10 onzas [283 gr])

NOTA: Las dimensiones de todos los componentes están expresadas en pulgadas americanas. 1 pulgada = 25,4 mm

SERVICE NOTES / AVISO



www.husqvarna.com