

Repair Parts Manual
Manual De Repuestos
TS 348D / 96043027000

Please read the operator's manual carefully and make sure you understand the instructions before using the machine.

Por favor lea cuidadosamente y comprenda estas instrucciones antes de usar esta maquina.



English/Spanish

115 95 79-49 Rev. 7



HOW TO USE THIS MANUAL

This manual is designed to provide the customer with a means to identify the parts on his/her tractor when ordering repair parts. The illustrations may or may not represent the actual assemblies; therefore, it is not recommended to use this manual as a guide to assemble or disassemble the tractor. Some hardware and parts are drawn larger in order to more readily identify them.

Each tractor has its own model number. The model number for your tractor can be found on the fender under the seat.

Support / Help

If you require assistance or have questions concerning the application, operation, maintenance or parts for your product:

- Visit our website: www.husqvarna.com
- Call Us Toll Free: 1-800-487-5951

When ordering parts, always give the following information:

- Product - "TRACTOR"
- MODEL NUMBER - "TS 348D" (96043027000)"
- Part Number
- Part Description

TABLE OF CONTENTS

SCHEMATIC	3
ELECTRICAL.....	4-5
CHASSIS	6-7
DRIVE.....	8-9
ENGINE.....	10-11
STEERING	12-13
MOWER DECK.....	14-15
MOWER LIFT.....	16
SEAT	17
DECALS.....	18

COMO UTILIZAR ESTE MANUAL

Este manual está diseñado para brindarle al comprador un medio para identificar las piezas del tractor para cuando necesite hacer el pedido de un repuesto. Las ilustraciones pueden o no representar los ensambles reales; por lo tanto, no se recomienda utilizar este manual como una guía para ensamblar o desarmar el tractor. Algunos accesorios y piezas están dibujados en tamaños más grandes para identificarlos con mayor facilidad.

Cada tractor tiene su propio número de modelo. El número de modelo del tractor se encuentra en el guardabarros debajo del asiento.

Soporte / Ayuda

Si necesita asistencia o tiene alguna pregunta acerca de la aplicación, operación, mantenimiento o piezas de su producto:

- Visite nuestro sitio web: www.husqvarna.com
- Llámenos de manera gratuita al: 1-800-487-5951

Cuando haga el pedido de una pieza, siempre brinde la siguiente información:

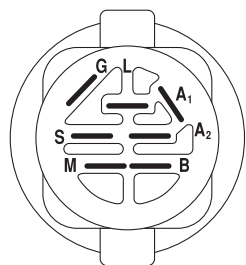
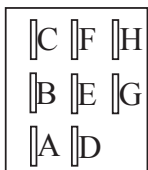
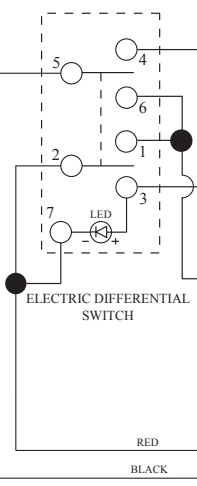
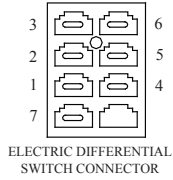
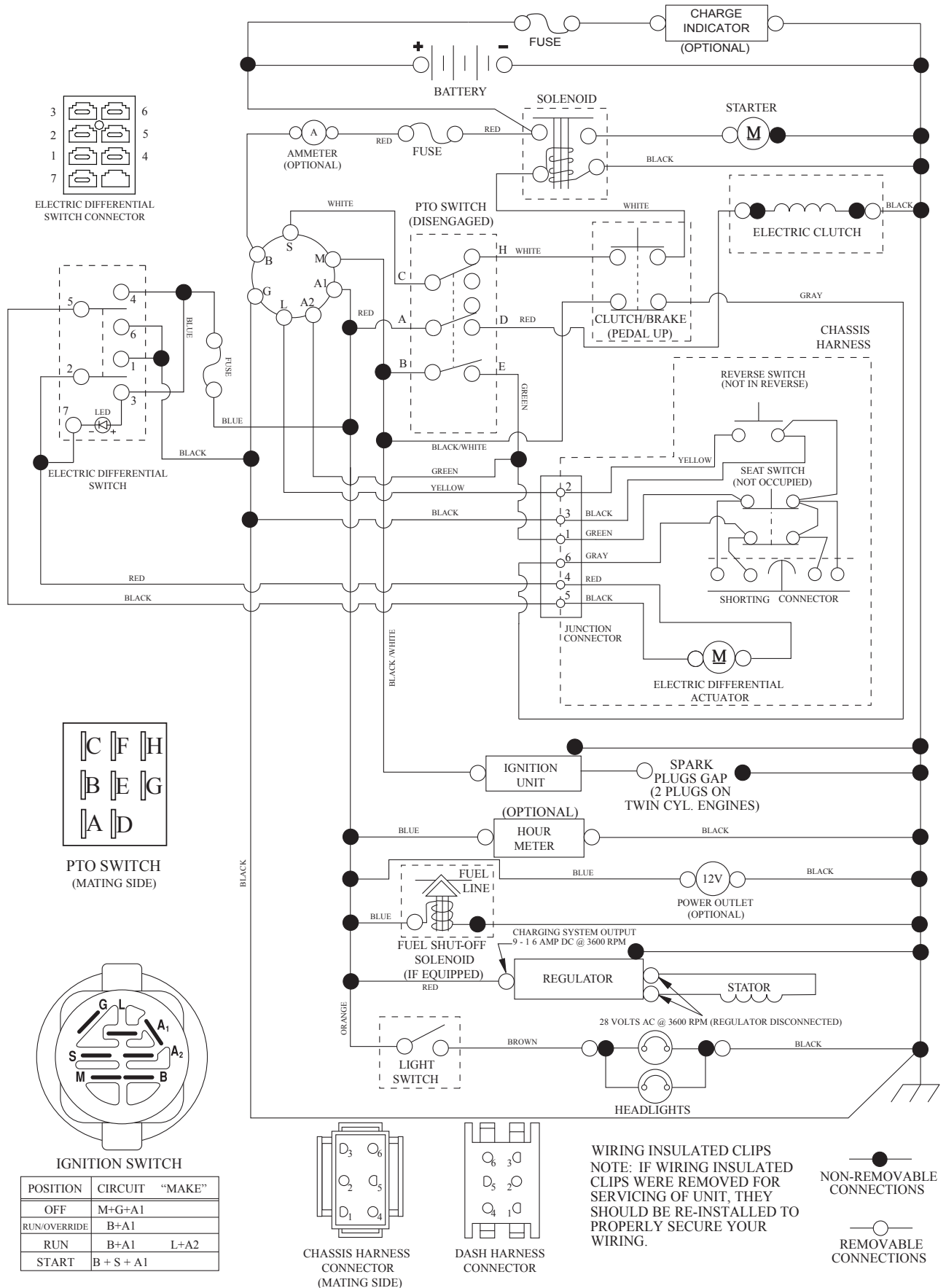
- Producto: "TRACTOR"
- NÚMERO DE MODELO: "TS 348D" (96043027000)"
- Número de pieza
- Descripción de la pieza

ÍNDICE

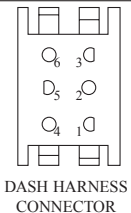
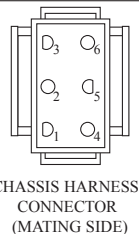
DIAGRAMA.....	19
DIAGRAMA ELÉCTRICO.....	20-21
CHASIS	22-23
TRANSMISIÓN	24-25
MOTOR.....	26-27
DIRECCIÓN	28-29
PLATAFORMA DE LA CORTADORA DE CÉSPED.....	30-31
ELEVACIÓN DE LA CORTADORA DE CÉSPED.....	32
ASIENTO.....	33
CALCOMANÍAS.....	34

TRACTOR - MODEL NO. TS 348D (96043027000), PRODUCT NO. 960 43 02-70 SCHEMATIC

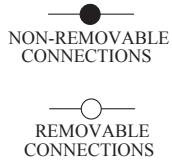
SCH27



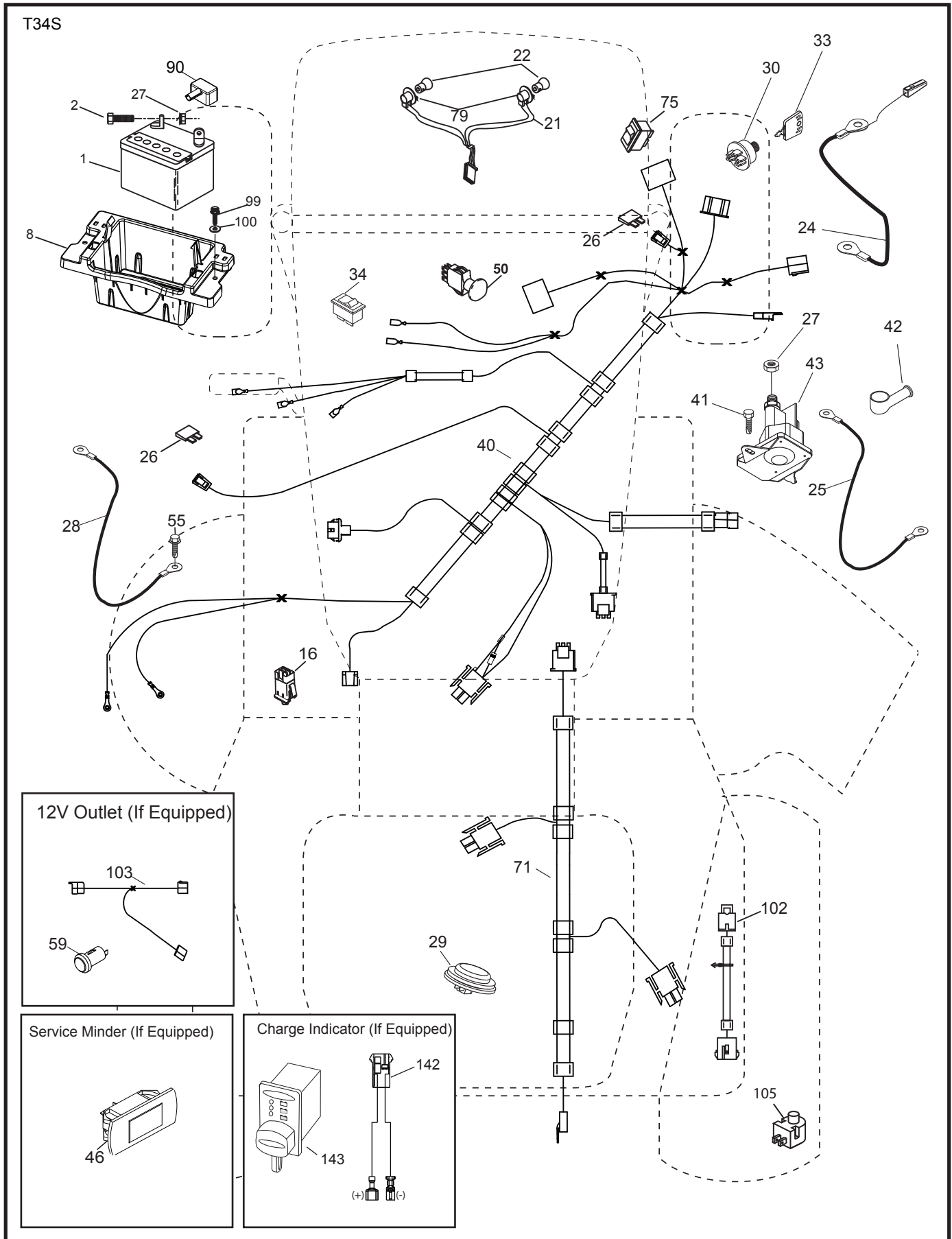
POSITION	CIRCUIT	"MAKE"
OFF	M+G+A1	
RUN/OVERRIDE	B+A1	
RUN	B+A1	L+A2
START	B+S+A1	



WIRING INSULATED CLIPS
NOTE: IF WIRING INSULATED CLIPS WERE REMOVED FOR SERVICING OF UNIT, THEY SHOULD BE RE-INSTALLED TO PROPERLY SECURE YOUR WIRING.



**TRACTOR - MODEL NO. TS 348D (96043027000), PRODUCT NO. 960 43 02-70
ELECTRICAL**

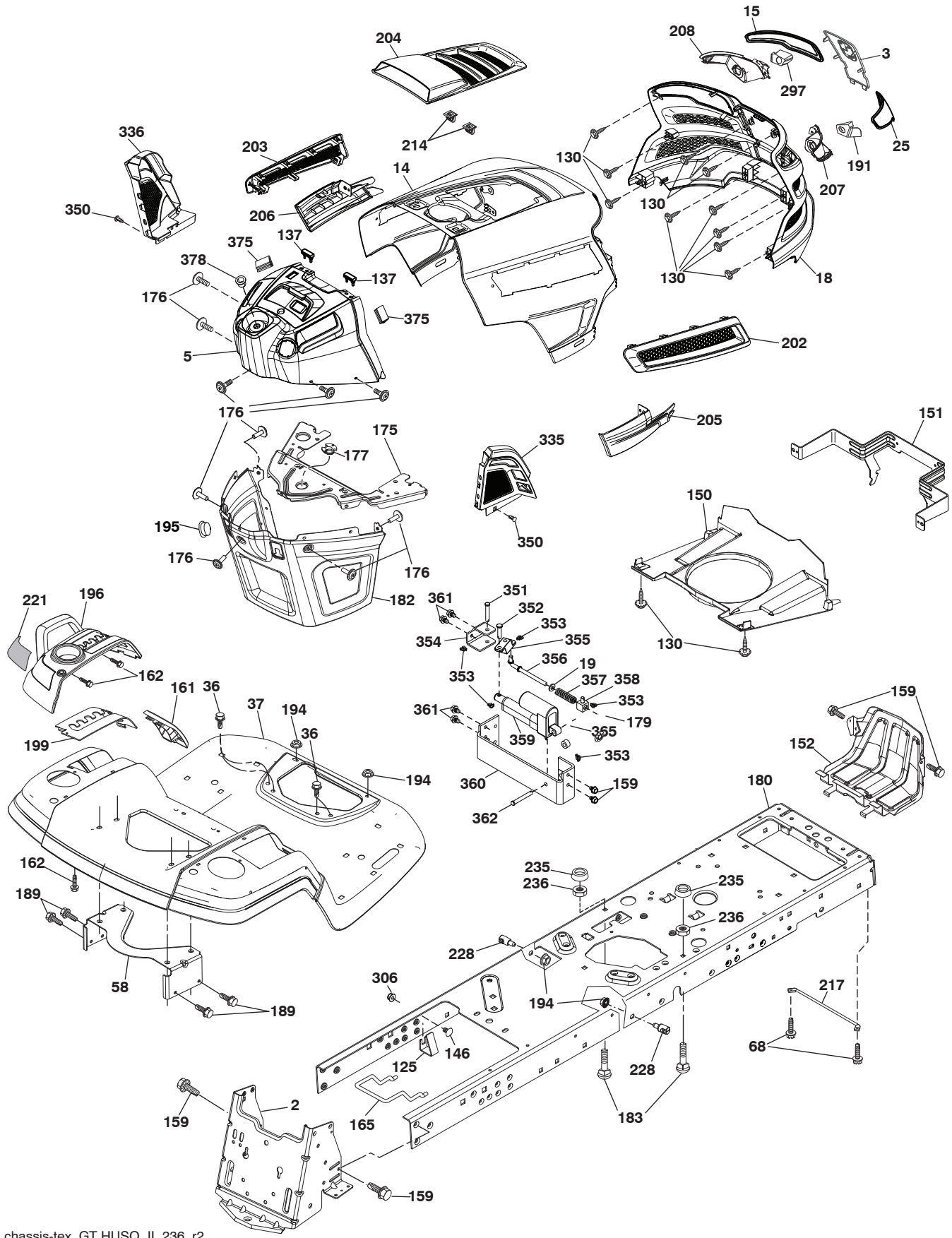


**TRACTOR - MODEL NO. TS 348D (96043027000), PRODUCT NO. 960 43 02-70
ELECTRICAL**

KEY NO.	PART NO.	DESCRIPTION
1	532 16 34-65	Battery
2	874 76 04-12	Bolt Hex Hd 1/4-20 unc x 3/4
8	532 41 41-26	Battery Tray
16	532 17 61-38	Switch Interlock
21	532 40 02-52	Harness Socket Light
22	532 00 41-52	Bulb, Light #1156
24	585 55 56-01	Cable Battery
25	585 55 55-01	Cable Starter
26	532 17 51-58	Fuse
27	873 51 04-00	Nut Keps Hex 1/4-20 unc
28	532 41 65-88	Cable Ground 21" Blk 6 Ga.
29	532 40 15-45	Switch Seat
30	532 19 33-50	Switch Ign
33	532 41 19-33	Key/Chain
34	532 11 07-12	Switch Light/Reset
40	580 72 35-02	Harness Ign. Dash
41	817 72 04-08	Screw 1/4-20 unc x 1/2
42	532 13 15-63	Cover Terminal Red
43	582 04 28-01	Solenoid
46	586 16 18-01	Gauge Srvcmndr
50	582 10 76-01	Switch PTO
55	817 06 05-12	Screw Thdrol 5/16-18 x 3/4
71	580 51 30-01	Harness Ign Chassis
75	580 36 64-01	Switch On
79	532 17 52-42	Socket Asm. Bulb Twistlock
90	532 43 53-95	Cover Terminal Battery
99	817 67 04-12	Screw Hexwsh Thdrol 1/4-20 x 3/4
100	819 09 14-16	Washer 9/32 x 7/8 x 16 Ga.
102	532 40 44-54	Harness Pigtail
105	532 40 75-68	Switch Reverse

NOTE: All component dimensions given in U.S. inches
1 inch = 25.4 mm

**TRACTOR - MODEL NO. TS 348D (96043027000), PRODUCT NO. 960 43 02-70
CHASSIS**



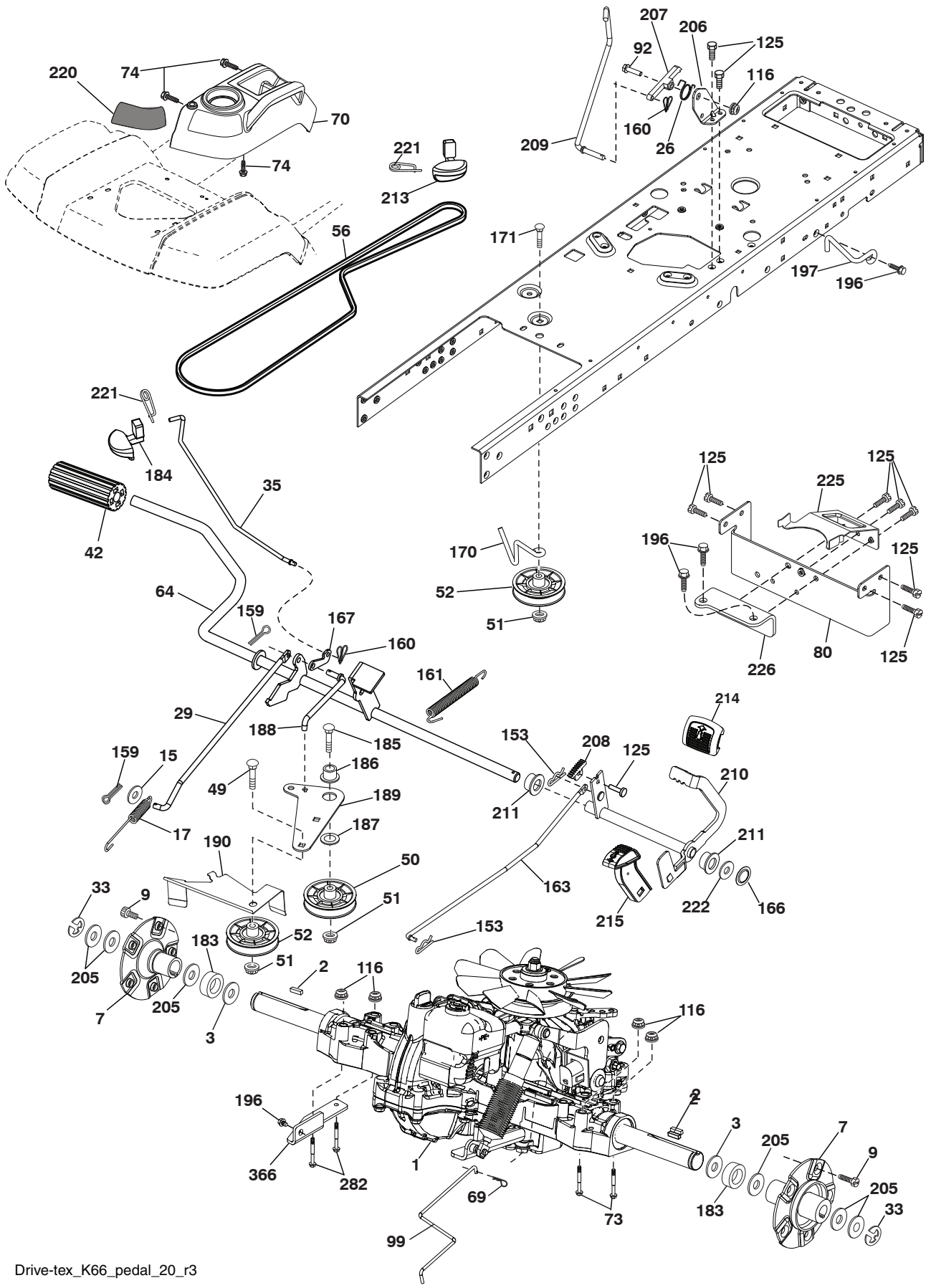
chassis-tex_GT HUSQ_II_236_r2

**TRACTOR - MODEL NO. TS 348D (96043027000), PRODUCT NO. 960 43 02-70
CHASSIS**

KEY NO.	PART NO.	DESCRIPTION	KEY NO.	PART NO.	DESCRIPTION
2	580 43 44-01	Drawbar	203	532 43 97-27	Vent Side Hood LH
3	532 44 44-81	Applique Sub Asm.	204	532 43 57-14	Vent Asm Hood Top
5	590 74 00-11	Dash	205	532 43 97-30	Skirt Hood Side RH
14	532 44 11-77	Hood	206	532 43 97-29	Skirt Hood Side LH
15	532 43 97-33	Lens LH	207	532 43 97-34	Bezel RH
18	532 44 06-53	Grille	208	532 43 97-35	Bezel LH
19	819 13 13-12	Washer 13/32 x 13 16 12 Ga.	214	532 19 91-45	Clip Retainer
25	532 44 33-85	Lens RH	217	532 40 91-67	Rod Pivot
36	817 06 05-12	Screw 5/16-18 x 3/4	221	532 19 89-09	Reflector LH
37	532 44 12-08	Fender	228	532 19 51-61	Stud Fastener
58	532 19 43-14	Bracket Fender	235	532 40 61-29	Spacer Fender
68	539 99 08-58	Screw 5/16-18 x 1/2	236	873 93 05-00	Nut Center Lock 5/16-18 unc
125	581 68 48-01	Clip Fuel Line	297	532 43 74-56	Insert Reflective LH
130	532 41 63-58	Screw #10 x 0.750 BOS Thread	306	873 90 06-00	Nut Lock
137	532 40 75-90	Bumper Dash	335	532 44 82-04	Cover RH
146	581 85 79-01	Bolt	336	532 44 53-09	Cover LH
150	532 43 97-74	Duct Air	350	532 44 51-43	Clip X-mas Tree
151	532 43 66-70	Bracket Pivot Hood	351	532 42 17-34	Pin Clevis
152	532 43 98-70	Shield Browning/Debris	352	532 44 86-34	Clevis .375 x 1.25
159	817 00 06-12	Screw 3/8-16 x 3/4	353	532 17 80-62	Clip Retainer
161	532 43 99-29	Console Fuel Window	354	532 44 86-19	Support Bellcrank
162	532 14 24-32	Screw Hex Wsh Hi-Lo 1/4 x 1/2	355	532 44 86-36	Bellcrank Pivot Lock Diff
165	532 19 43-30	Bracket Support Tank	356	532 44 86-93	Link Diff Lock Actuator
175	590 60 77-02	Crossmember	357	532 44 86-84	Spring Compression
176	532 40 07-76	Screw 10-24 x 5/8 Wshd Qdrx	358	580 36 66-01	Swivel Guide
177	532 19 52-28	Bushing Steering	359	584 39 34-01	Actuator Electric
179	532 16 89-37	Nut Push	360	532 44 86-18	Bracket Actuator
180	593 34 63-01	Chassis	361	817 49 06-10	Screw Hxwsh Ther 3/8-196 x 5/8
182	532 40 68-59	Dash Lower	362	532 44 86-33	Clevis .375 x 2.42
183	874 52 05-20	Bolt 5/16-18 x 1-1/4	365	532 44 73-68	Nyln Spcr .375C.75 x .4375
189	817 00 05-12	Screw 5/16-18 x 3/4	375	586 90 82-01	Dash Clip-On Bumper
191	532 43 74-55	Insert Reflective RH	378	590 84 98-01	Bushing Flange
194	873 90 05-00	Nut Lock Hex Flange 5/16-18	--	532 40 09-44	Bumper
195	532 40 41-37	Plug Hole			
196	532 43 96-74	Console Asm. Deck Lift			
199	532 19 82-59	Plate Deck Lift			
202	532 43 97-28	Vent Side Hood RH			

NOTE: All component dimensions given in U.S. inches
1 inch = 25.4 mm

TRACTOR - MODEL NO. TS 348D (96043027000), PRODUCT NO. 960 43 02-70
DRIVE



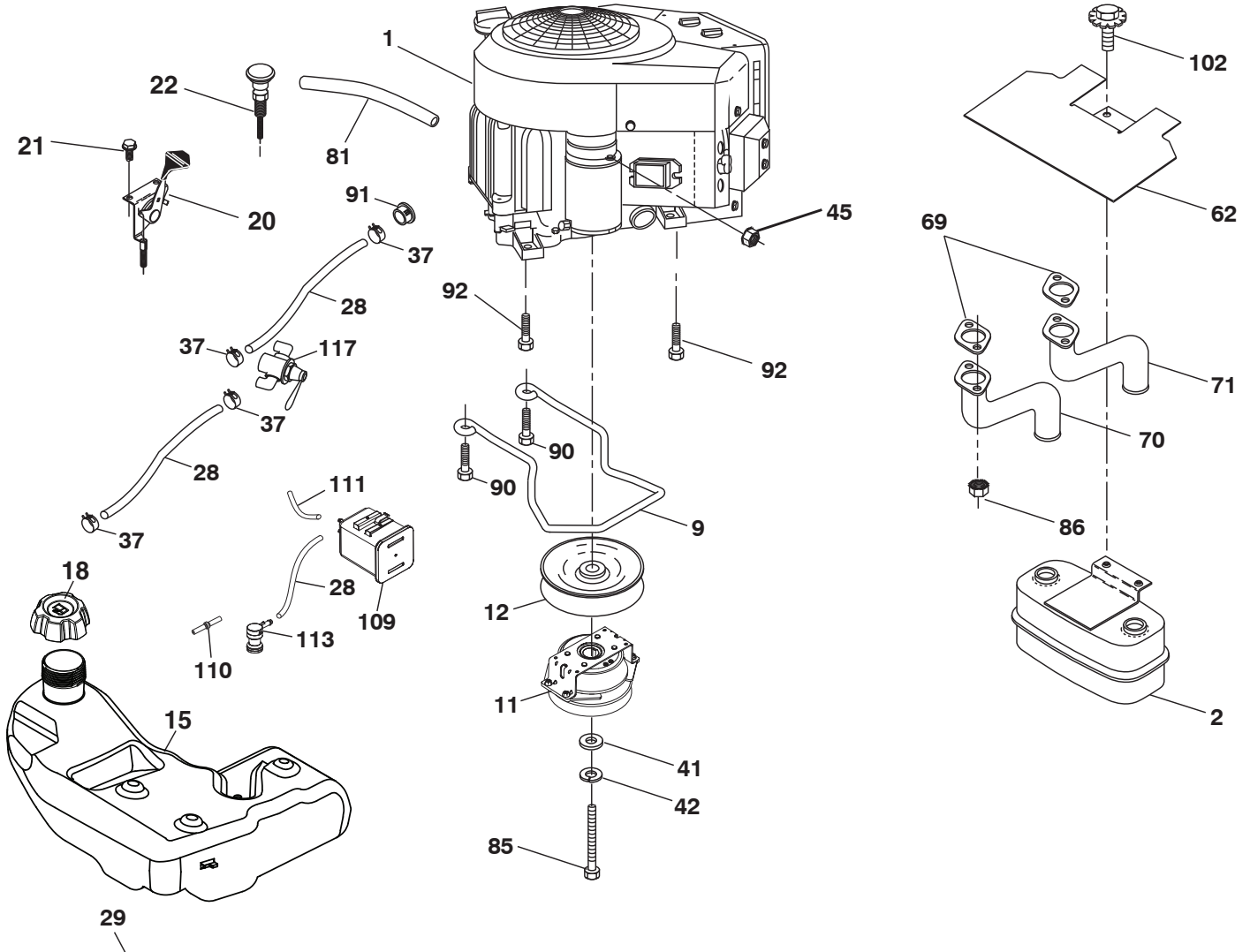
Drive-tex_K66_pedal_20_r3

TRACTOR - MODEL NO. TS 348D (96043027000), PRODUCT NO. 960 43 02-70 DRIVE

KEY NO.	PART NO.	DESCRIPTION	KEY NO.	PART NO.	DESCRIPTION
1	-----	Transaxle, Tufftorq K66ELD (580402201) (Order parts from transaxle manufacturer.)	167	532 40 52-57	Latch Brake Parking
2	539 91 27-57	Key .25 x 1.25	170	532 19 43-22	Keeper V-Idler Centerspan
3	532 00 75-63	Washer Thrust Axle Hardened	171	872 11 06-16	Bolt Rd Hd Sq NK 3/8-16 unc x 2
7	586 93 54-02	Hub Asm. Wheel	183	587 58 74-01	Spacer Axle
9	532 14 00-80	Bolt Hub Wheel	184	587 65 37-01	Handle Parking Brake
15	819 13 13-16	Washer 13/32 x 13/16 x 16 Ga.	185	872 11 06-22	Bolt Rdhd 3/8-16 unc x 2-3/4 G5
17	532 40 10-72	Spring, Brake	186	532 19 43-21	Spacer Retainer
26	532 19 96-79	Spring Return Cruise	187	819 13 32-10	Washer
29	532 40 72-45	Rod, Brake	188	582 21 70-01	Link Clutch Ground Drive, Long
33	812 00 00-53	Ring E	189	532 19 43-17	Bellcrank Ground Drive
35	590 60 59-02	Rod, Brake, Park	190	532 19 43-18	Keeper Bellcrank Ground Drive
42	532 12 48-72	Cover, Foot Pedal	196	817 00 06-16	Screw 3/8-16 x 1
49	872 11 06-14	Bolt	197	585 65 86-01	Bracket Clutch Anti-Rotation
50	532 19 43-27	Pulley Idler Flat	205	532 12 38-00	Washer 1-1/32 x 1-5/8 x 16 Ga.
51	873 90 06-00	Lock Nut 3/8-16	206	532 44 85-96	Bracket Mount Latch Cruise
52	532 19 43-26	Idler V-Groove	207	587 03 14-01	Latch Control Cruise
56	592 85 53-01	V-Belt, Drive	208	532 19 78-69	Gear Sector Control Cruise
64	532 19 78-65	Shaft Asm. Pedal Brake Control	209	590 52 78-01	Rod Control Cruise
69	532 42 33-03	Hairpin .059 x 1.125	210	532 19 78-60	Rocker Asm. Pedal Control
70	532 43 96-61	Console Asm	211	532 12 01-83	Bearing Nylon
73	874 49 05-44	Bolt Hex Flghd 5/16-18 Gr. 5	213	532 40 31-19	Knob Control Cruise
74	532 14 24-32	Screw 1/4 x 1/2	214	532 42 12-63	Pedal Forward
80	589 33 34-02	Strap Torque	215	586 60 65-02	Pedal Reverse
92	874 76 05-20	Bolt 5/16-18 x 1/2	220	532 19 89-08	Reflector RH
99	582 40 47-01	Spring Bypass	221	532 40 31-87	Retainer Spring Clip Handle
116	873 90 05-00	Nut Lock Hex Flange 5/16-18	222	879 21 20-10	Washer 21/32 x 1-1/4 x 10 Ga.
125	817 00 05-12	Screw 5/16-18 x 3/4	225	532 40 73-11	Keeper Belt
153	532 12 47-88	Retainer Spring	226	532 40 71-09	Bracket Mount Torque
159	876 02 04-12	Pin Cotter 1/8 x 3/4	282	874 49 05-48	Bolt 5/16-18 x 3.0 G5
160	532 16 94-84	Retainer Clip	366	580 62 62-01	Bracket Reinforcement
161	532 10 57-09	Spring, Return, Clutch			
163	532 40 72-46	Rod Pedal Control			
166	532 42 91-64	Nut Push .625			

NOTE: All component dimensions given in U.S. inches
1 inch = 25.4 mm

**TRACTOR - MODEL NO. TS 348D (96043027000), PRODUCT NO. 960 43 02-70
ENGINE**



SPARK ARRESTER KIT

engine-tex_Kawa-2cyl_70

**TRACTOR - MODEL NO. TS 348D (96043027000), PRODUCT NO. 960 43 02-70
ENGINE**

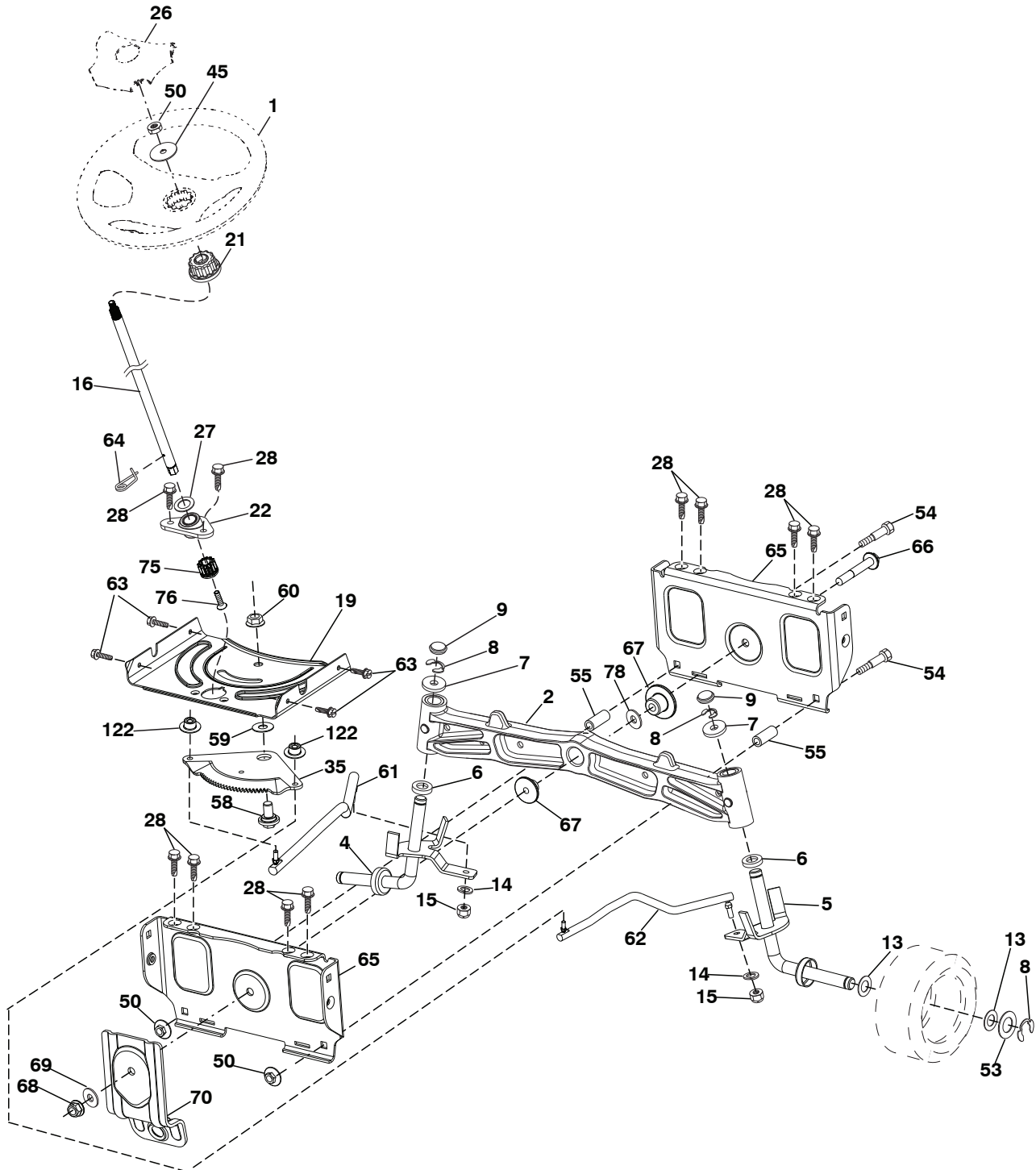
KEY NO.	PART NO.	DESCRIPTION
1	-- -- -- --	Engine KAWA Model No. FR730V-ES04 (445363)(Order parts from engine manufacturer.)
2	589 81 87-01	Muffler
9	501 83 26-02	Keeper Asm. Belt Engine
11	587 24 14-01	Clutch Electric
12	532 19 43-43	Pulley Engine
15	532 42 29-01	Tank Fuel
18	585 12 48-01	Cap Asm
20	532 41 21-65	Control Throttle
21	532 41 63-58	Screw #10 x 0.750 BOS Thread
22	532 18 95-41	Control Choke
28	532 40 11-35	Fuel Line
29	532 13 71-80	Spark Arrester Kit
37	532 12 34-87	Clamp Hose
41	532 12 61-97	Washer 1-1/2 OD x 15/32 ID x .250
42	539 99 02-47	Washer 7/16
45	873 51 04-00	Nut Keps Hex 1/4-20 unc
62	532 43 40-17	Shield Heat Muffler
69	532 17 81-51	Gasket
70	583 95 56-01	Tube Exhaust LH
71	583 95 57-01	Tube Exhaust RH
81	532 14 84-56	Oil Tube Drain
85	501 60 69-01	Bolt 7/16-20 x 3.0 x Gr. 5
86	532 18 43-62	Nut Hex M8-1.25
90	817 00 06-16	Screw 3/8-16 x 1
91	532 18 74-95	Bushing
92	817 12 06-16	Screw 3/8-16 x 1
102	817 00 05-12	Screw 5/16 x 3/4
109	532 41 41-14	Canister Carbon
110	532 41 41-18	Valve Asm
111	532 41 41-19	Purge Line
113	532 41 41-27	Valve Slant
117	532 42 08-28	Valve Fuel Reserve

NOTE: All component dimensions given in U.S. inches
1 inch = 25.4 mm

For engine service and replacement parts, call the toll free number for your engine manufacturer listed below:

Kawasaki 1-949-460-5688

**TRACTOR - MODEL NO. TS 348D (96043027000), PRODUCT NO. 960 43 02-70
STEERING ASSEMBLY**



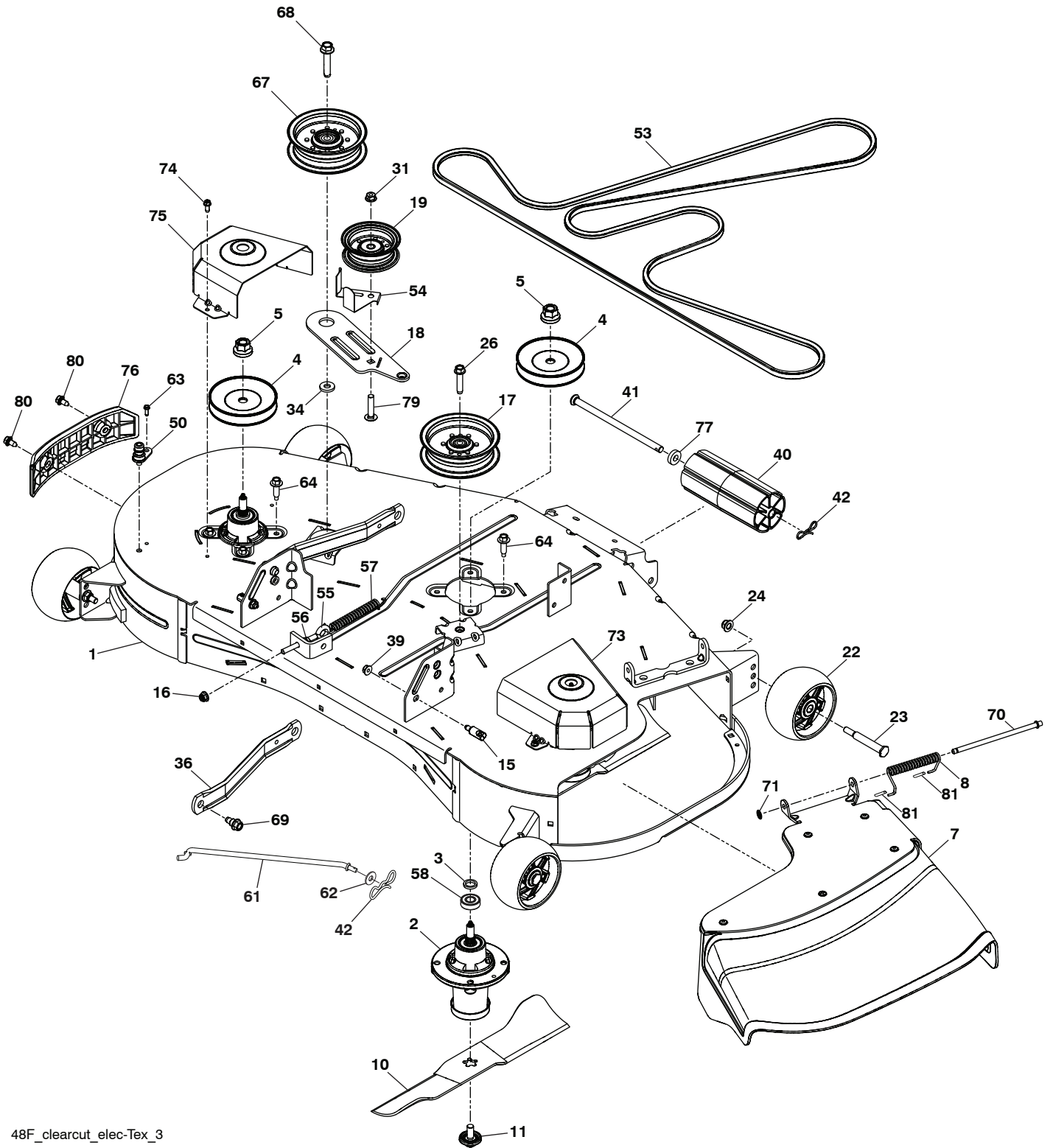
steering-tex_HUSQSR_70

**TRACTOR - MODEL NO. TS 348D (96043027000), PRODUCT NO. 960 43 02-70
STEERING ASSEMBLY**

KEY NO.	PART NO.	DESCRIPTION
1	532 43 97-40	Wheel, Steering
2	532 19 59-68	Axle Asm., Front
4	532 40 30-89	Spindle Asm. LH
5	532 40 30-90	Spindle Asm. RH
6	532 12 49-31	Bearing, Race Thrust Harden
7	532 12 17-48	Washer 25/32 x 1-5/8 x 16 Ga.
8	812 00 00-29	Ring, Clip #T5304-75
9	532 12 12-32	Cap, Spindle
13	532 12 17-49	Washer 25/32 x 1-1/4 x 16 Ga.
14	539 99 01-18	Washer, Lock Hvy Hlcl Spr 3/8
15	873 54 06-00	Nut, Crown Lock 3/8-24 unf
16	587 01 60-02	Steering Shaft
19	532 19 47-29	Plate Steering
21	586 84 02-01	Adapter Wheel Steering
22	585 02 98-02	Bearing
26	532 43 97-43	Insert, Wheel Steering
27	819 21 16-16	Washer
28	817 00 06-12	Screw 3/8-16 x 3/4
35	532 19 47-32	Gear, Sector Plate
45	587 01 64-01	Washer 3/8 ID 2-3/8 OD 12 Ga. PLTD
50	873 90 06-00	Nut Lock Flg 3/8-16 unc
53	532 18 89-67	Washer Hardened .793 x 1.637 x .060
54	874 76 06-36	Bolt Hex 3/8-16 unc x 2-1/4
55	532 41 47-36	Bolt Hex 3/8-16 unc x 2-1/4
58	532 19 47-47	Bolt Shoulder Sector Pivot CFM
59	532 19 47-48	Washer Thrust Sector Steering
60	873 97 10-00	Nut Flange Lock 5/8-11
61	588 79 44-02	Draglink, LH
62	588 79 45-02	Draglink, RH
63	817 00 05-12	Screw 5/16-18 x 3/4
64	532 19 98-49	Retainer Clip Spring Steering
65	532 19 47-34	Brace Axle Front
66	871 02 07-48	Bolt Hex Fghd 7/16-14 x 3 Serr
67	532 19 47-37	Bushing PM Front Axle
68	873 90 07-00	Nut Lock Flange 7/16-14 Gr. 5
69	532 19 91-62	Washer 1.5 x .505 x .118
70	585 33 88-01	Bracket Deck Susp. Front
75	580 68 37-01	Pinion
76	580 68 36-01	Screw Head Sock
78	532 05 70-79	Washer Thrust
122	532 44 49-62	Cap Gear Sector

NOTE: All component dimensions given in U.S. inches
1 inch = 25.4 mm

TRACTOR - MODEL NO. TS 348D (96043027000), PRODUCT NO. 960 43 02-70
MOWER DECK



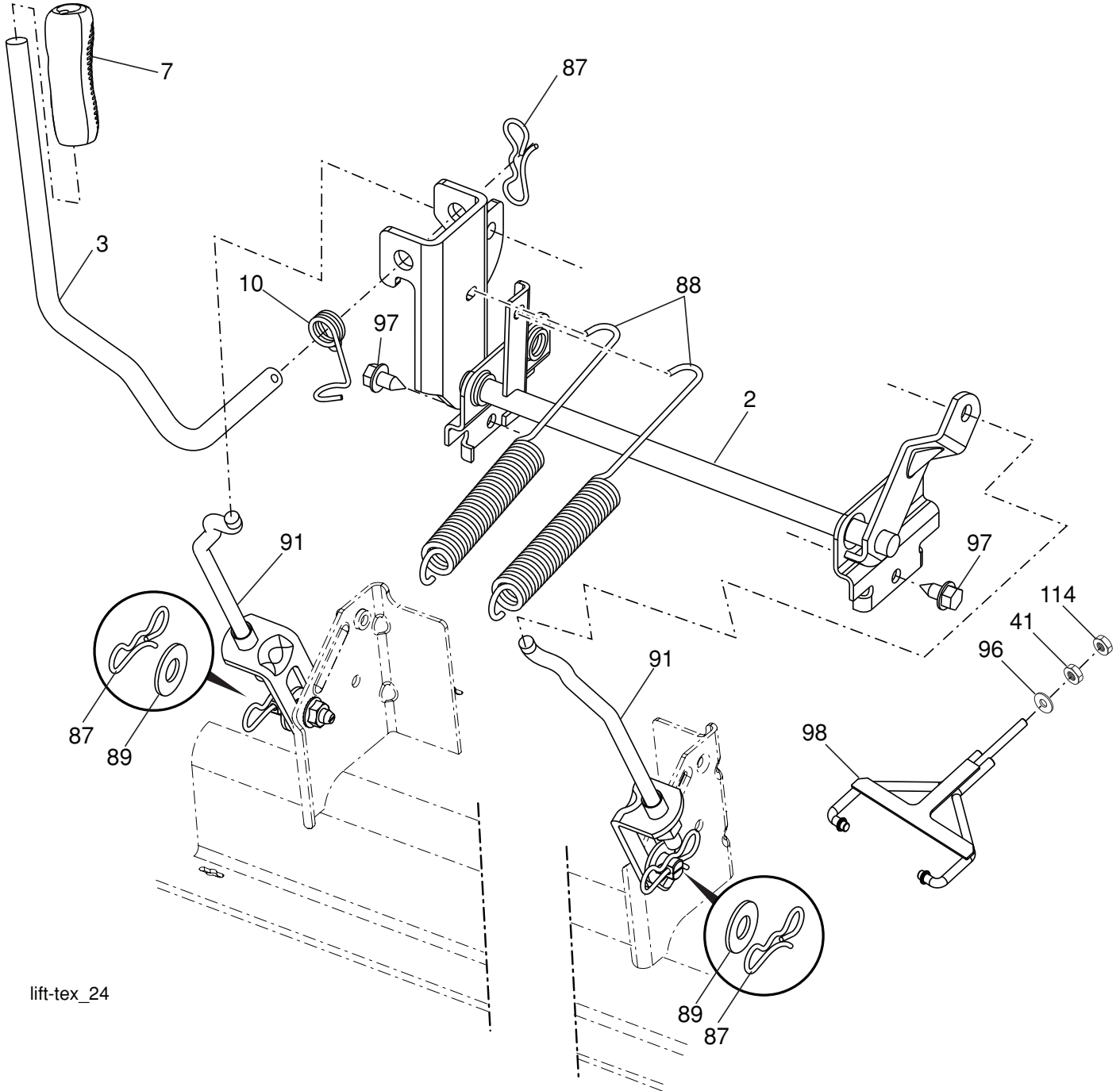
48F_clearcut_elec-Tex_3

**TRACTOR - MODEL NO. TS 348D (96043027000), PRODUCT NO. 960 43 02-70
MOWER DECK**

KEY NO.	PART NO.	DESCRIPTION	KEY NO.	PART NO.	DESCRIPTION
1	588 78 80-02	Deck	55	539 11 55-74	Eyebolt 5/16 x 3-1/2
2	539 13 18-98	Housing Assembly	56	539 99 05-85	Nut 5/16-18 Hx
3	532 18 76-90	Washer-Spacer	57	587 35 84-01	Spring Extn.
4	532 17 34-34	Pulley, Mandrel	58	532 11 04-85	Ball Bearing
5	532 40 02-34	Nut Flange Lock Top	61	532 40 03-37	Rod Anti-Sway
7	588 98 07-01	Deflector Asm. 48"	62	819 13 13-12	Washer 13/32 x 13/16 x 12 Ga.
8	587 35 47-01	Spring - Torsion	63	817 49 04-10	Screw 1/4-20 x 5/8 Hx Self Tap ZD
10	588 81 10-02	Blade	64	584 95 39-01	Bolt Hex Washer Head .313-18 x 1.19
11	532 19 30-03	Bolt Washer Assy 7/16-20	67	532 19 61-06	Pulley Idler
15	532 19 51-61	Stud, Fasten w/ Anti- Rotate	68	817 49 06-28	Screw Thdrl 3/8-16 x 1-3/4 TT
16	539 11 28-99	Nut 5/16-18 Hx Flng NYLOC	69	532 19 65-39	Bolt Shoulder
17	532 19 61-04	Pulley, Idler	70	532 13 14-91	Rod Hinge
18	588 81 22-02	Arm Clutching	71	532 11 04-52	Nut Push
19	532 19 31-97	Pulley, Idler	73	588 81 24-02	Cover Mandrel RH
22	589 52 73-01	Wheel, Gauge	74	532 13 77-29	Screw Thdrl 1/4-20 x 5/8
23	532 19 34-06	Bolt Shoulder 3/8-16 x 3-5/8	75	588 81 31-02	Cover Mandrel LH
24	521 99 65-01	Nut 3/8-16 Hex Flg Nyloc	76	582 54 11-01	Bumper Side Trim
26	588 43 83-01	Screw 7/16-14 x 2.125 Wsh	77	582 36 05-01	Bushing Nose Roller
31	873 90 06-00	Nut Lock Flng 3/8-16 unc	79	872 11 06-14	Bolt RdHd 3/8-16 unc x 1-3/4 Gr. 5
34	532 17 85-15	Washer, Flat Hardened	80	532 17 01-65	Bolt 5/16
36	532 19 51-85	Arm, Susp., Rear	81	532 10 53-04	Cap Sleeve
39	873 90 05-00	Nut Lock Hx Flng 5/16-18	--	532 41 64-05	Connect Quick Coupling
40	532 17 60-66	Roller, Nose, 48"	--	589 42 88-01	Replacement Mower, Complete
41	532 17 91-27	Rod, Roller, Nose, Narrow			
42	532 19 42-08	Pin Cotter			
50	532 41 55-98	Washout Port			
53	588 81 43-01	Belt, Deck			
54	532 14 10-43	Guard, Belt			

NOTE: All component dimensions given in U.S. inches
1 inch = 25.4 mm

**TRACTOR - MODEL NO. TS 348D (96043027000), PRODUCT NO. 960 43 02-70
MOWER LIFT**



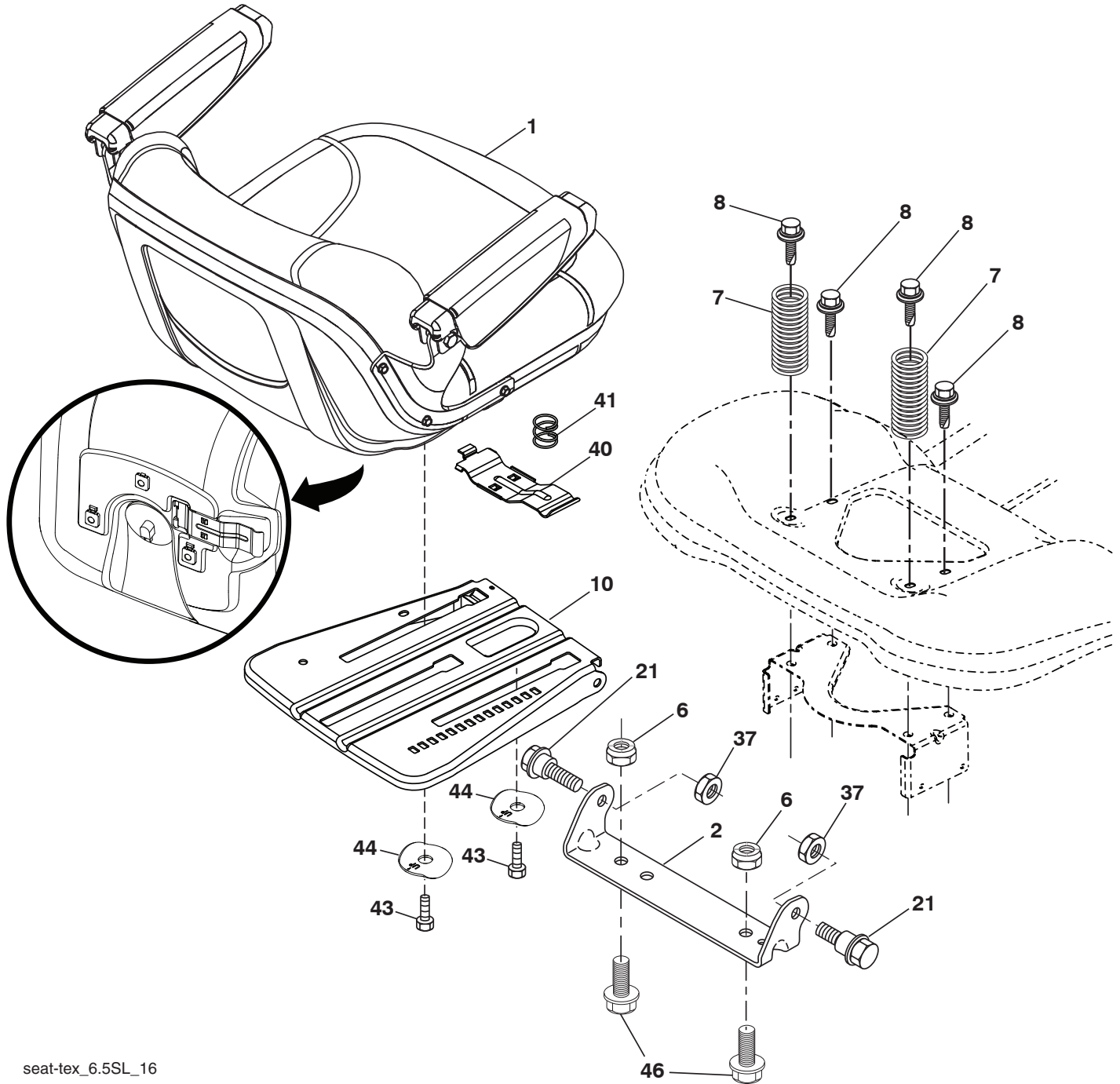
lift-tex_24

KEY NO.	PART NO.	DESCRIPTION
2	532 42 20-27	Shaft Asm., Lift
3	532 19 52-30	Lever Asm., Lift RH
7	580 96 23-01	Grip, Lever
10	532 19 63-14	Spring Torsion
41	532 17 59-94	Nut Lift Link
87	532 19 42-09	Pin Cotter 7/16 Bow Tie Lock
88	532 19 53-04	Spring Lift Assist
89	819 19 19-12	Washer Clear Zinc

KEY NO.	PART NO.	DESCRIPTION
91	532 40 34-07	Link Lift Susp Mower Rear
96	532 19 52-63	Bushing Spherical
97	817 00 06-12	Screw 3/8-16 x .75
98	574 82 25-01	Link Lift Susp. Front Mower
114	873 36 07-00	Nut Jam 7/16-20

NOTE: All component dimensions given in U.S. inches
1 inch = 25.4 mm

**TRACTOR - MODEL NO. TS 348D (96043027000), PRODUCT NO. 960 43 02-70
SEAT ASSEMBLY**



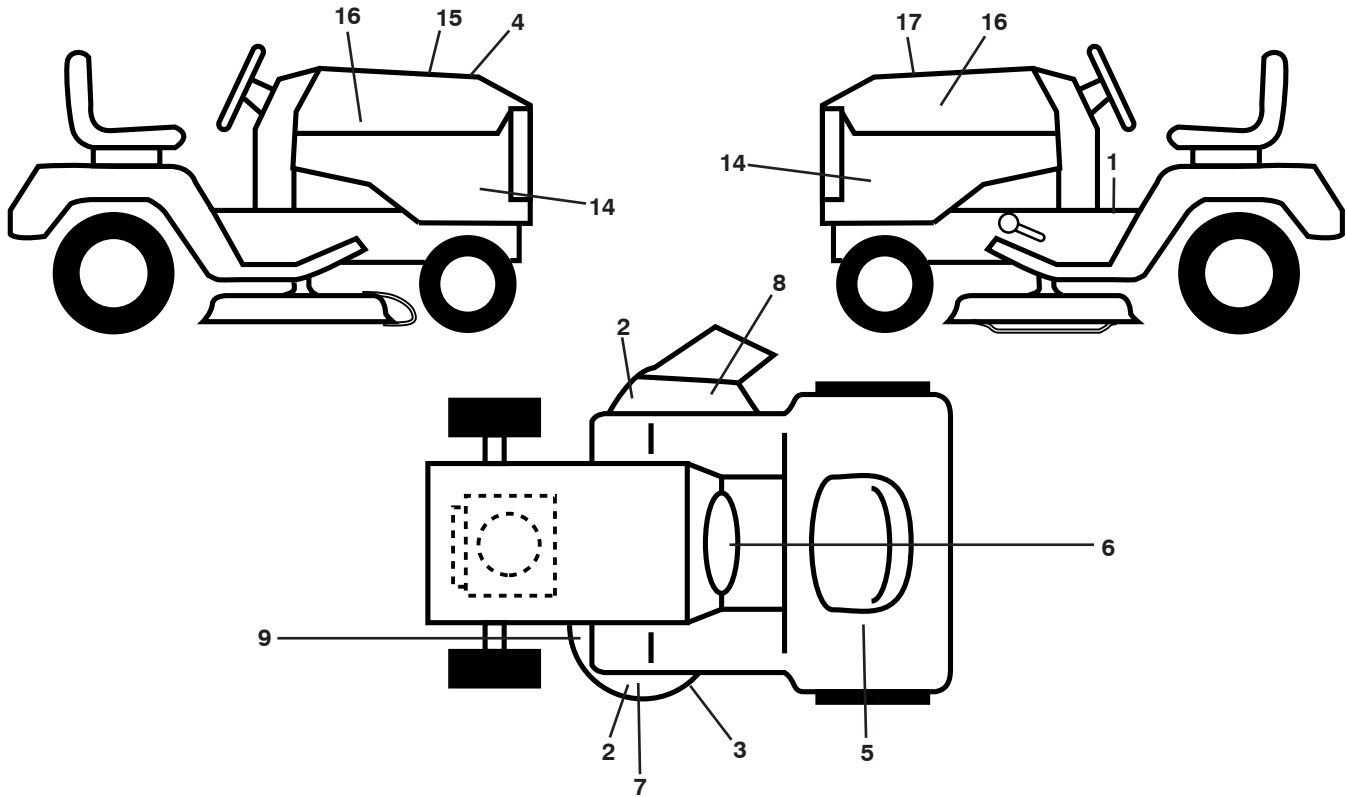
seat-tex_6.5SL_16

KEY NO.	PART NO.	DESCRIPTION
1	588 55 67-01	Seat
2	532 18 01-66	Bracket Pivot Fender
6	873 80 06-00	Nut, Lock w/Ins. 3/8-16 unc
7	589 48 35-01	Spring, Seat Cprsn
8	532 17 18-77	Bolt 5/16-18 unc x 3/4 w/Sems
10	587 23 20-02	Pan, Seat
21	587 90 78-01	Bolt, Shoulder 5/16-18 x 5/8
37	873 80 05-00	Nut, Lock 5/16-18 unc

KEY NO.	PART NO.	DESCRIPTION
40	532 19 76-61	Handle Slide Seat
41	532 19 82-00	Spring Latch Seat
43	874 76 06-12	Bolt Fin Hex 3/8-16 unc x 3/4
44	501 05 18-01	Washer Winged
46	588 09 04-01	Bolt 3/8-16 x 1, 1.25

NOTE: All component dimensions given in U.S. inches
1 inch = 25.4 mm

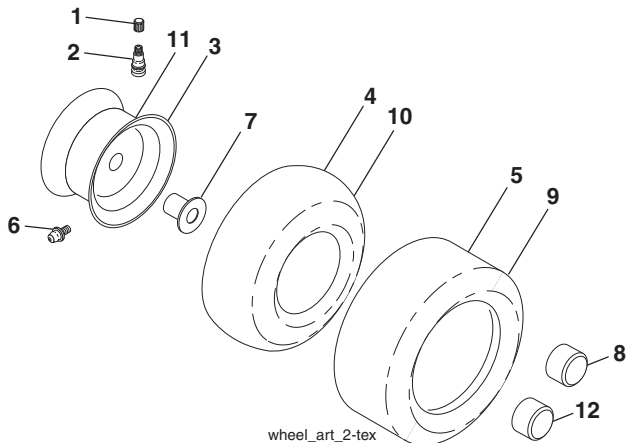
**TRACTOR - MODEL NO. TS 348D (96043027000), PRODUCT NO. 960 43 02-70
DECALS**



KEY NO.	PART NO.	DESCRIPTION
1	581 57 89-01	Decal, Warning
2	589 35 79-01	Decal, No Step
3	581 58 00-02	Decal, Mower Sch.
4	532 42 38-29	Decal, Warning
5	587 01 51-01	Decal, Warning Reserve
6	596 02 42-01	Decal, Warn Spark
7	590 88 50-01	Decal, 48" Clearcut
8	586 97 88-01	Decal, Deflect. Warning
9	592 89 83-01	Decal, Deck Warr
14	593 12 46-01	Decal, Panel Side

KEY NO.	PART NO.	DESCRIPTION
15	532 42 38-29	Decal, Cust. Resp.
16	581 62 73-01	Decal, Hood Logo
17	589 62 66-01	Decal, Replacement
--	581 72 48-01	Decal, Bypass
--	532 43 98-82	Pad, Footrest, LH
--	532 43 98-81	Pad, Footrest, RH
--	115 95 78-49	Manual, Operator's (English/Spanish)
--	115 95 79-49	Manual, Part's (English/Spanish)
--	587 71 00-26	Manual, QSG Husq (English/Spanish)

WHEELS AND TIRES



wheel_art_2-tex

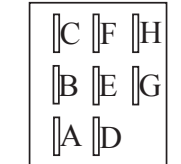
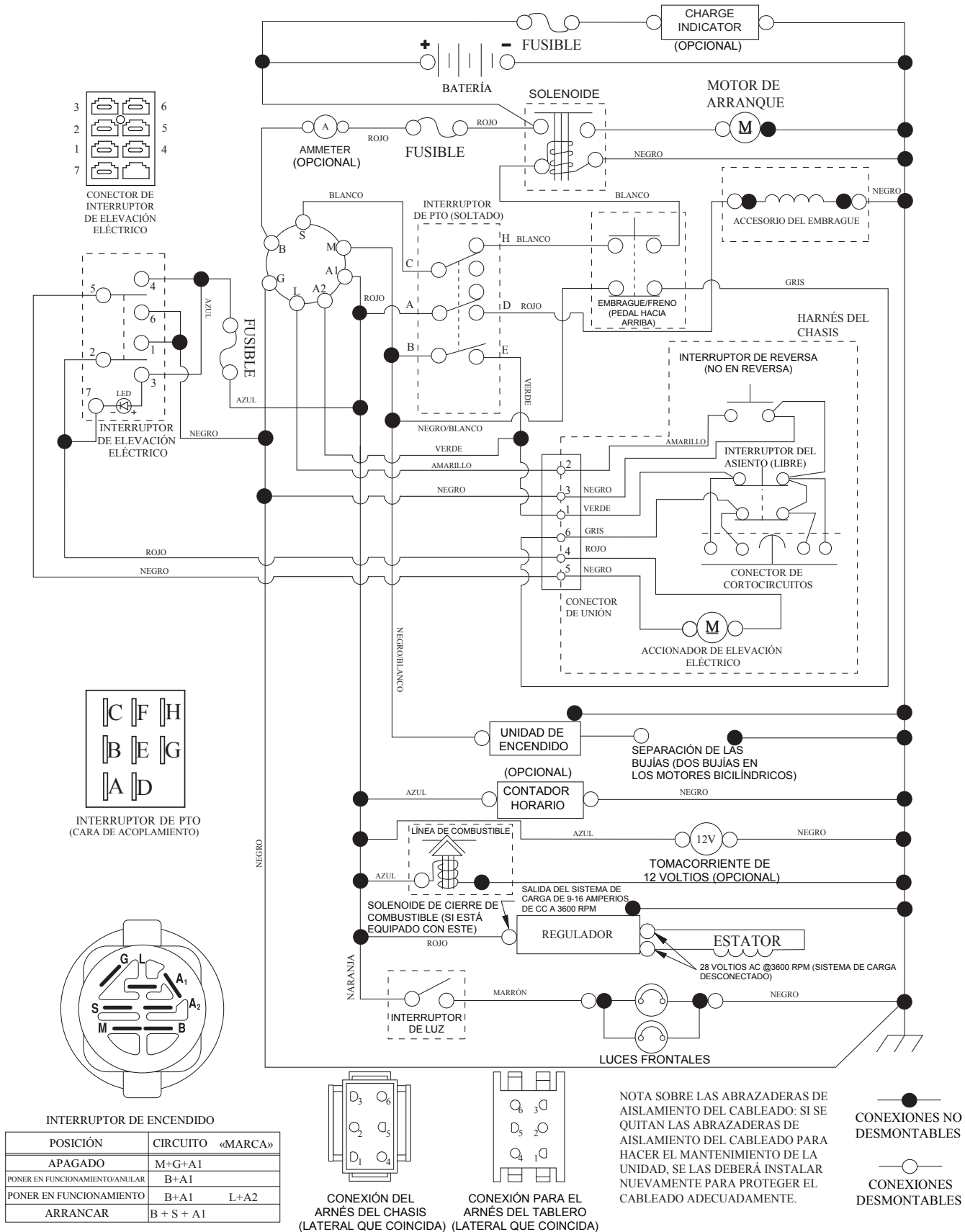
KEY NO.	PART NO.	DESCRIPTION
1	532 05 91-92	Cap, Valve, Tire
2	532 06 51-39	Stem, Valve
3	532 18 18-39	Rim Assembly, Front
4	532 00 81-34	Tube, Front (Service Item Only)
5	532 10 62-30	Tire, Front 16 x 6.5
6	532 12 49-57	Fitting, Grease (Front Wheel Only)
7	532 12 49-59	Bearing, Flange (Front Wheel Only)
8	532 17 50-39	Cap, Axle, Front
9	532 10 55-88	Tire, Rear 23 x 10.5-12
10	532 00 71-54	Tube, Rear (Service Item Only)
11	532 14 45-10	Rim Assembly, Rear
12	501 50 31-01	Cap, Hub, GT, PM, Black, Rear
--	532 14 43-34	Sealant, Tire (10 oz. Tube)

NOTE: All component dimensions given in U.S. inches
1 inch = 25.4 mm

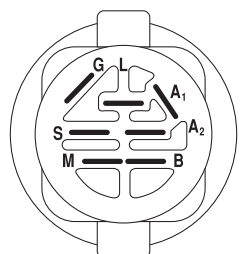
TRACTOR MODELO NO. TS 348D (96043027000), PRODUCTO NO. 960 43 02-70

DIAGRAMA

SCH27-s

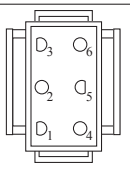


INTERRUPTOR DE PTO (CARA DE ACOPLAMIENTO)

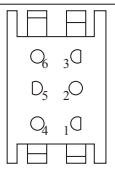


INTERRUPTOR DE ENCENDIDO

POSICIÓN	CIRCUITO «MARCA»
APAGADO	M+G+A1
PONER EN FUNCIONAMIENTO ANULAR	B+A1
PONER EN FUNCIONAMIENTO	B+A1 L+A2
ARRANCAR	B + S + A1



CONEXION DEL ARNES DEL CHASIS (LATERAL QUE COINCIDA)



CONEXION PARA EL ARNES DEL TABLERO (LATERAL QUE COINCIDA)

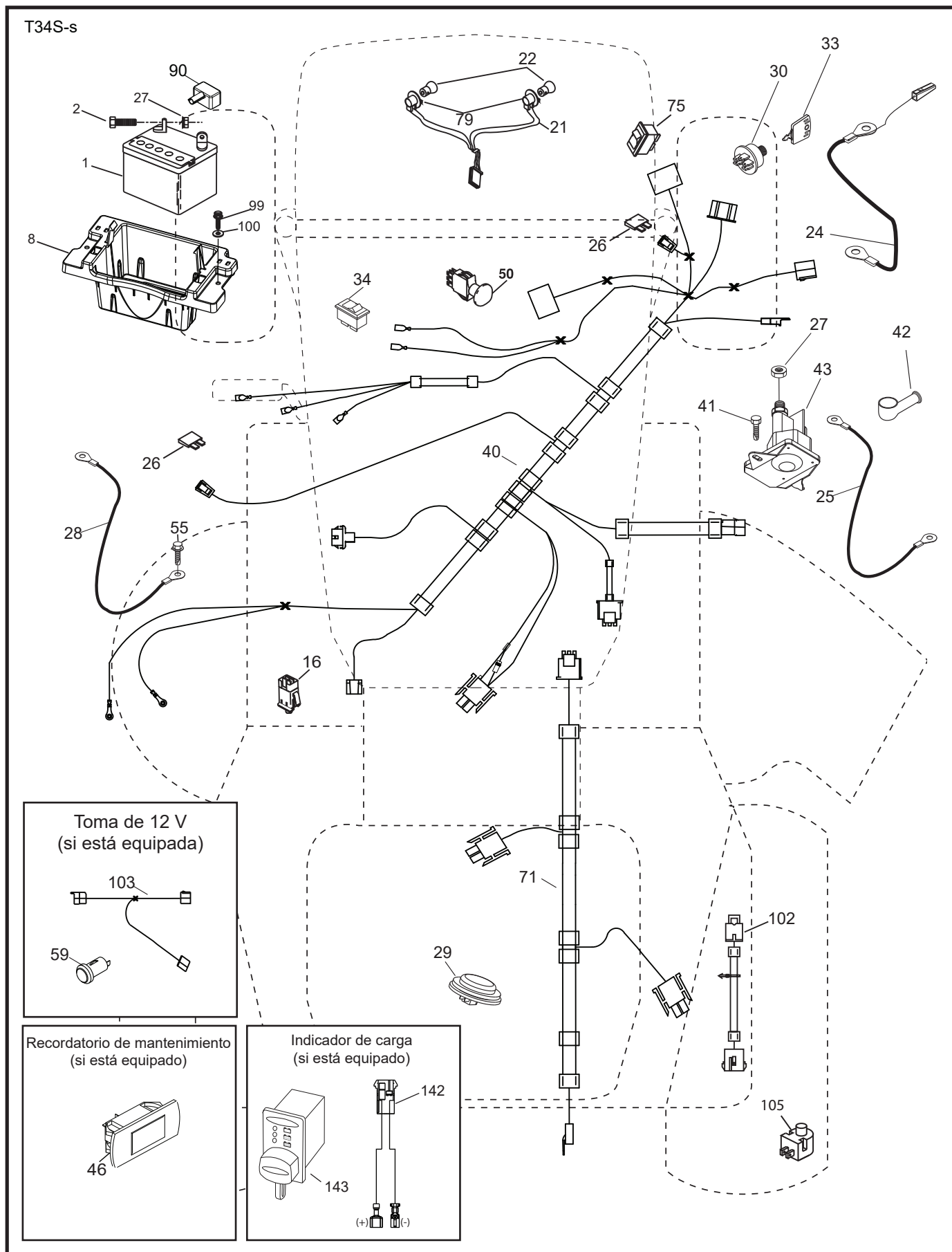
NOTA SOBRE LAS ABRAZADERAS DE AISLAMIENTO DEL CABLEADO: SI SE QUITAN LAS ABRAZADERAS DE AISLAMIENTO DEL CABLEADO PARA HACER EL MANTENIMIENTO DE LA UNIDAD, SE LAS DEBERA INSTALAR NUEVAMENTE PARA PROTEGER EL CABLEADO ADECUADAMENTE.

● CONEXIONES NO DESMONTABLES

○ CONEXIONES DESMONTABLES

TRACTOR MODELO NO. TS 348D (96043027000), PRODUCTO NO. 960 43 02-70

DIAGRAMA ELÉCTRICO

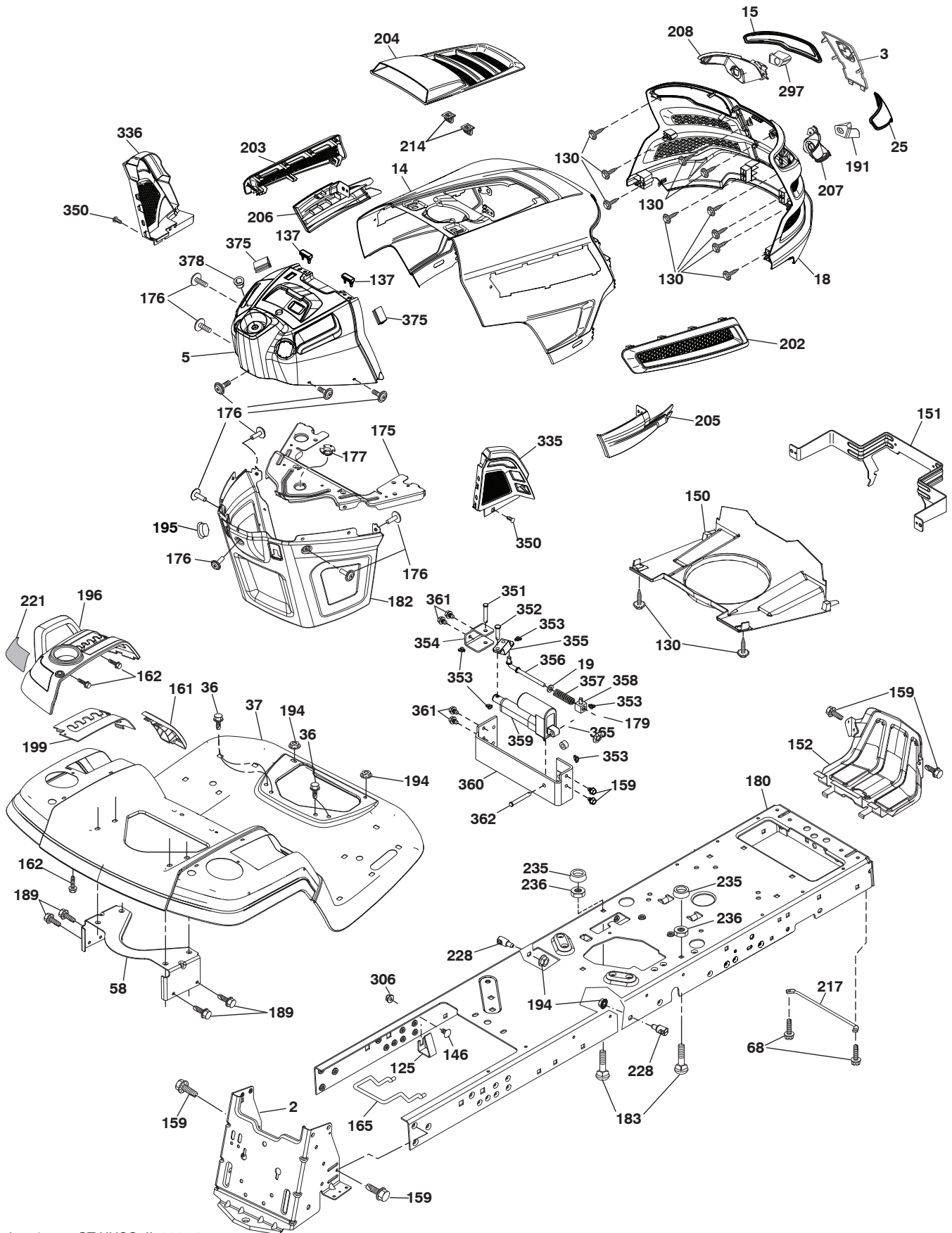


TRACTOR MODELO NO. TS 348D (96043027000), PRODUCTO NO. 960 43 02-70
DIAGRAMA ELÉCTRICO

CÓDIGO No.	PIEZA No.	DESCRIPCIÓN
1	532 16 34-65	Batería
2	874 76 04-12	Perno de cabeza hexagonal de 1/4-20 x 3/4
8	532 41 41-26	Asamblea de bandeja de batería
16	532 17 61-38	Interruptor corta corriente a presión
21	532 40 02-52	Cableado del enchufe para la luz
22	532 00 41-52	Bombilla de luz
24	585 55 56-01	Cable
25	585 55 55-01	Cable
26	532 17 51-58	Fusible
27	873 51 04-00	Tuerca hexagonal Keps de 1/4-20 unc
28	532 41 65-88	Cable a tierra
29	532 40 15-45	Interruptor del asiento
30	532 19 33-50	Interruptor de encendido
33	532 41 19-33	Llave/cadena
34	532 11 07-12	Interruptor de luz/de restauración
40	580 72 35-02	Cableado de encendido
41	817 72 04-08	Tornillo
42	532 13 15-63	Cubierta de la terminal
43	582 04 28-01	Solenoides
46	586 16 18-01	Indicador SRVCMNDR
50	582 10 76-01	Interruptor
55	817 06 05-12	Tornillo de 5/16-18 x 3/4
71	580 51 30-01	Cableado de encendido, chasis
75	580 36 64-01	Interruptor
79	532 17 52-42	Enchufe de cierre por torsión del ensamble de la bombilla
90	532 43 53-95	Tapa de los bornes de la batería
99	817 67 04-12	Tornillo 1/4-20 x 3/4
100	819 09 14-16	Arandela
102	532 40 44-54	Cableado
105	532 40 75-68	Interruptor inverso

NOTA: Las dimensiones de todos los componentes están expresadas en pulgadas americanas. 1 pulgada = 25,4 mm

TRACTOR MODELO NO. TS 348D (96043027000), PRODUCTO NO. 960 43 02-70
CHASIS



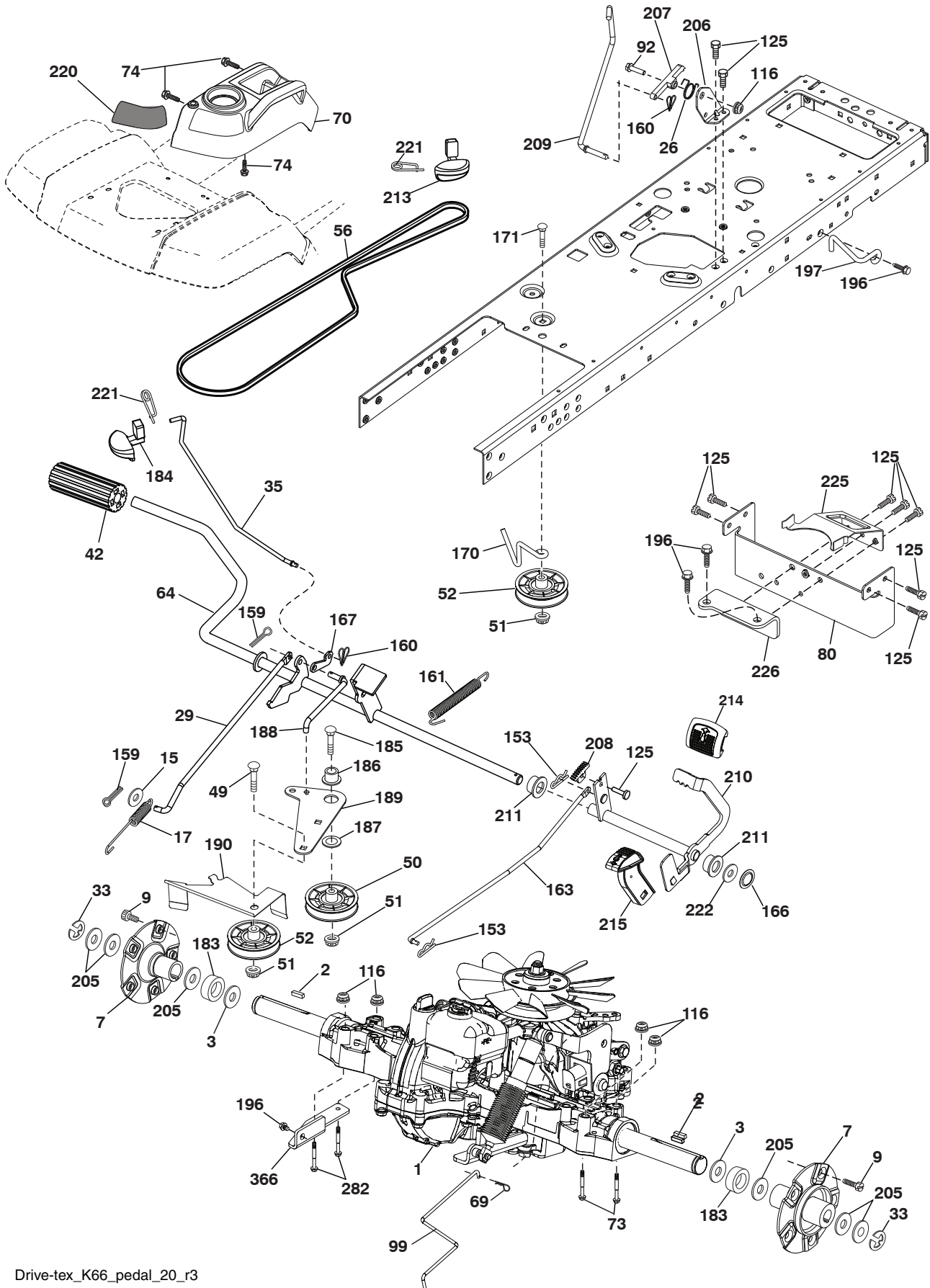
chassis-tex_GT HUSQ_II_236_r2

**TRACTOR MODELO NO. TS 348D (96043027000), PRODUCTO NO. 960 43 02-70
CHASIS**

CÓDIGO No.	PIEZA No.	DESCRIPCIÓN	CÓDIGO No.	PIEZA No.	DESCRIPCIÓN
2	580 43 44-01	Barra de tracción	204	532 43 57-14	Salida de Ventilación superior
3	532 44 44-81	Aplica Submontaje	205	532 43 97-30	Camisa de Capota (LD)
5	590 74 00-11	Tablero	206	532 43 97-29	Camisa de Capota (LI)
14	532 44 11-77	Capota	207	532 43 97-34	Bisel derecho
15	532 43 97-33	Lente izquierdo de la parrilla	208	532 43 97-35	Bisel izquierdo
18	532 44 06-53	Parrilla	214	532 19 91-45	Cierre
19	819 13 13-12	Garantía 13/32 x 13 16 12 Ga.	217	532 40 91-67	Varilla giratoria
25	532 44 33-85	Lente derecho de la parrilla	218	532 19 63-95	Tope
36	817 06 05-12	Tornillo de 5/16-18 x 3/4	221	532 19 89-09	Reflector (LI)
37	532 44 12-08	Guardabarros	228	532 19 51-61	Sujetador del travesaño
58	532 19 43-14	Soporte de Guardabarros	235	532 40 61-29	Separador del guardabarros
68	539 99 08-58	Tornillo de 5/16-18 x 1/2	236	873 93 05-00	Tuerca de presión 5/16-18 unc
125	581 68 48-01	Soporte	297	532 43 74-56	Parte movable reflexivo (LI)
130	532 41 63-58	Tornillo No. 10 x 0,75	306	873 90 06-00	Tuerca
137	532 40 75-90	Cubierta Tablero	335	532 44 82-04	Cubierta (LD)
146	581 85 79-01	Perno	336	532 44 53-09	Cubierta (LI)
150	532 43 97-74	Cubierta	350	532 44 51-43	Cierre del árbol de navidad
151	532 43 66-70	Soporte de Capota	351	532 42 17-34	Clavija de horquilla
152	532 43 98-70	Protector contra oscurecimiento	352	532 44 86-34	Clavija .375 x 1.25
159	817 00 06-12	Tornillo 3/8-16 x 3/4	353	532 17 80-62	Pinzas de retención
161	532 43 99-29	Ventanilla de combustible	354	532 44 86-19	Soporte de campana
162	532 14 24-32	Tornillo	355	532 44 86-36	Diferencial de bloqueo de pivote de campana
165	532 19 43-30	Soporte de Tanque de Gasolina	356	532 44 86-93	Actuador de bloqueo de diferencial de enlace
175	590 60 77-02	Travesaño	357	532 44 86-84	Compresión del resorte
176	532 40 07-76	Tornillo de 10-24 x 5/8	358	580 36 66-01	Guía giratoria
177	532 19 52-28	Buje de dirección	359	584 39 34-01	Actuator Electric
179	532 16 89-37	Perno	360	532 44 86-18	Soporte de Accionador
180	593 34 63-01	Chasis	361	817 49 06-10	Tornillo Hxwsh Ther 3/8-196 x 5/8
182	532 40 68-59	Tablero inferior	362	532 44 86-33	Clavija .375 x 2.42
183	874 52 05-20	Perno 5/16-18 x 1-1/4	365	532 44 73-68	Separador .375C.75 x .4375
189	817 00 05-12	Tornillo	375	586 90 82-01	Cubierta Capota
191	532 43 74-55	Parte movable reflexivo (LD)	378	590 84 98-01	Buje
194	873 90 05-00	Tuerca de presión de 5/16-18	--	532 40 09-44	Cubierta
195	532 40 41-37	Tapón			
196	532 43 96-74	Ensamble de la consola de la plata-forma de elevación			
199	532 19 82-59	Chapa			
202	532 43 97-28	Salida de Ventilación (LD)			
203	532 43 97-27	Salida de Ventilación (LI)			

NOTA: Las dimensiones de todos los componentes están expresadas en pulgadas americanas. 1 pulgada = 25,4 mm

TRACTOR MODELO NO. TS 348D (96043027000), PRODUCTO NO. 960 43 02-70
TRANSMISIÓN



Drive-tex_K66_pedal_20_r3

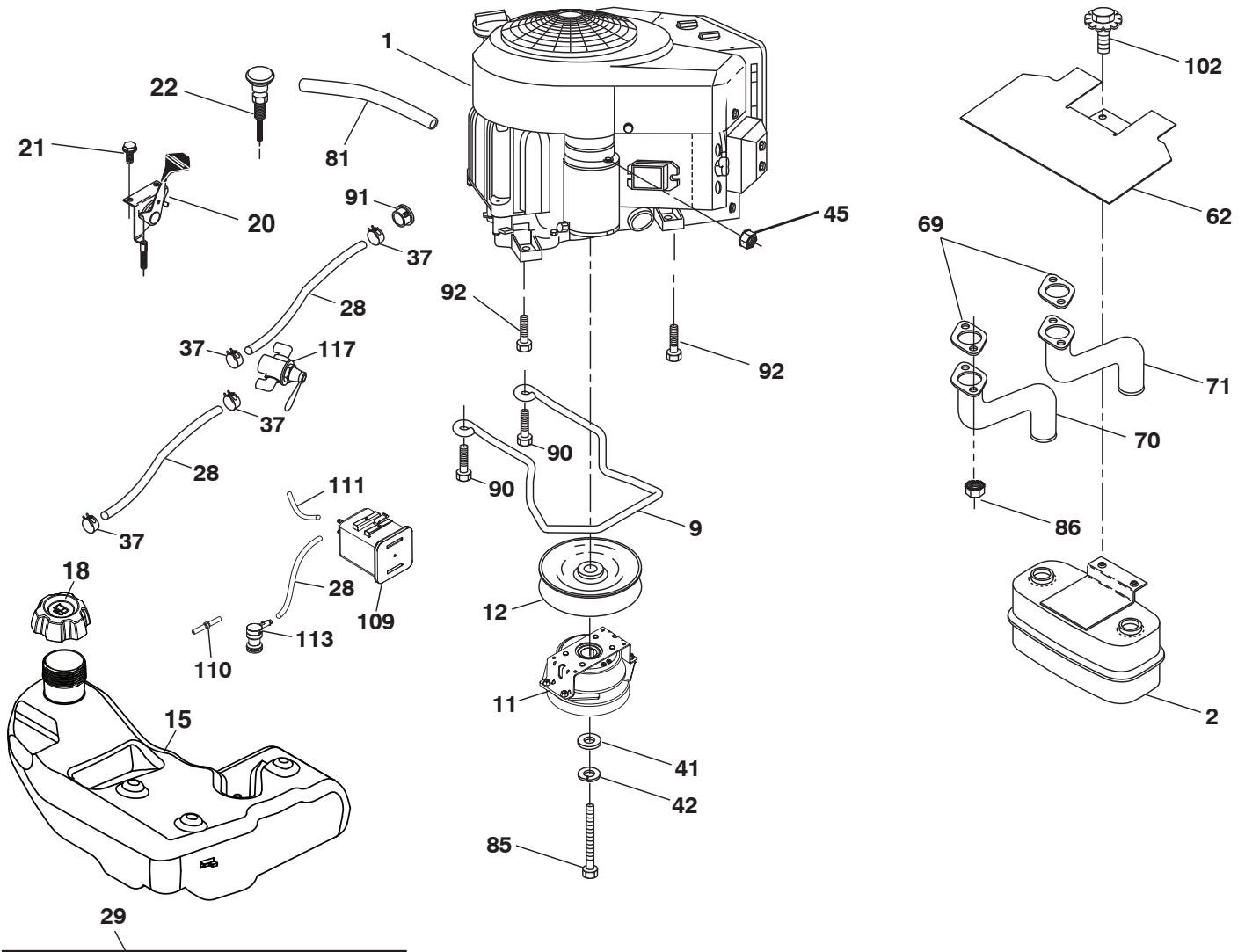
TRACTOR MODELO NO. TS 348D (96043027000), PRODUCTO NO. 960 43 02-70

TRANSMISIÓN

CÓDIGO No.	PIEZA No.	DESCRIPCIÓN	CÓDIGO No.	PIEZA No.	DESCRIPCIÓN
1	-----	Transeje, Tufftorq K66ELD (580402201) (Haga el pedido de las piezas al fabricante del transeje.)	171	872 11 06-16	Perno 3/8-16 unc x 2
			183	587 58 74-01	Separador del eje
			184	587 65 37-01	Manija del freno de mano
			185	872 11 06-22	Perno 3/8-16 unc x 2-3/4 Gr 5
2	539 91 27-57	Cuña .25 x 1.25	186	532 19 43-21	Espaciador de retención
3	532 00 75-63	Arandela	187	819 13 32-10	Arandela
7	586 93 54-02	Rueda eje la asamblea	188	582 21 70-01	Mecanismo de desplazamiento de la varilla de mando del embrague del largo
9	532 14 00-80	Perno			
15	819 13 13-16	Arandela 13/32 x 13/16 x Calibre 16			
17	532 40 10-72	Resorte de freno	189	532 19 43-17	Palanca acodada del mecanismo de desplazamiento
26	532 19 96-79	Crucero con retorno de muelle			
29	532 40 72-45	Varilla del freno	190	532 19 43-18	Sujetador de la palanca acodada del mecanismo de desplazamiento
33	812 00 00-53	Aro "E"			
35	590 60 59-02	Varilla del freno de mano	196	817 00 06-16	Tornillo 3/8-16 x 1
42	532 12 48-72	Cubierta del pedal	197	585 65 86-01	Bracket Clutch Anti-Rotation
49	872 11 06-14	Perno	205	532 12 38-00	Arandela 1-1/32 x 1-5/8 x Calibre 16
50	532 19 43-27	Polea loca plana	206	532 44 85-96	Soporte
51	873 90 06-00	Tuerca 3/8-16	207	587 03 14-01	Bloqueo del control del crucero
52	532 19 43-26	Polea loca con ranura en V con un desplazamiento	208	532 19 78-69	Engranaje del sector de control del crucero
			209	590 52 78-01	Varilla de control del crucero
56	592 85 53-01	Correa trapezoidal de la transmisión	210	532 19 78-60	Ensamble del balancín del control del pedal
64	532 19 78-65	Ensamble del eje Control del pedal de freno			
			211	532 12 01-83	Rodamiento de nylon
69	532 42 33-03	Pasador de cabello .059 x 1.125	213	532 40 31-19	Perilla de control del crucero
70	532 43 96-61	Ensamble del console	214	532 42 12-63	Forro del pedal para avanzar
73	874 49 05-44	Perno 5/16-18 x 3 Gr. 5	215	586 60 65-02	Forro del pedal para retroceder
74	532 14 24-32	Tornillo 1/4 x 1/2	220	532 19 89-08	Reflector (LD)
80	589 33 34-02	Correa de torsión	221	532 40 31-87	Abrazadera de retención del resorte de la manija
92	874 76 05-20	Perno 5/16-18 x 1/2			
99	582 40 47-01	Resorte	222	879 21 20-10	Arandela 21/32 x 1-1/4 x Calibre 10
116	873 90 05-00	Tuerca 5/16-18	225	532 40 73-11	Sujetador de la correa
125	817 00 05-12	Tornillo 5/16-18 x 3/4	226	532 40 71-09	Soporte de montaje
153	532 12 47-88	Retén del resorte	282	874 49 05-48	Perno 5/16-18 x 3.0 Gr 5
159	876 02 04-12	Pasador de chaveta de 1/8 x 3/4	366	580 62 62-01	Soporte
160	532 16 94-84	Abrazadera de retención			
161	532 10 57-09	Resorte de retorno del embrague			
163	532 40 72-46	Varilla de control del pedal			
166	532 42 91-64	Tuerca .625			
167	532 40 52-57	Pestillo del freno de mano			
170	532 19 43-22	Sujetador de la correa			

NOTA: Las dimensiones de todos los componentes están expresadas en pulgadas americanas. 1 pulgada = 25,4 mm

**TRACTOR MODELO NO. TS 348D (96043027000), PRODUCTO NO. 960 43 02-70
MOTOR**



EQUIPO APAGACHISPAS

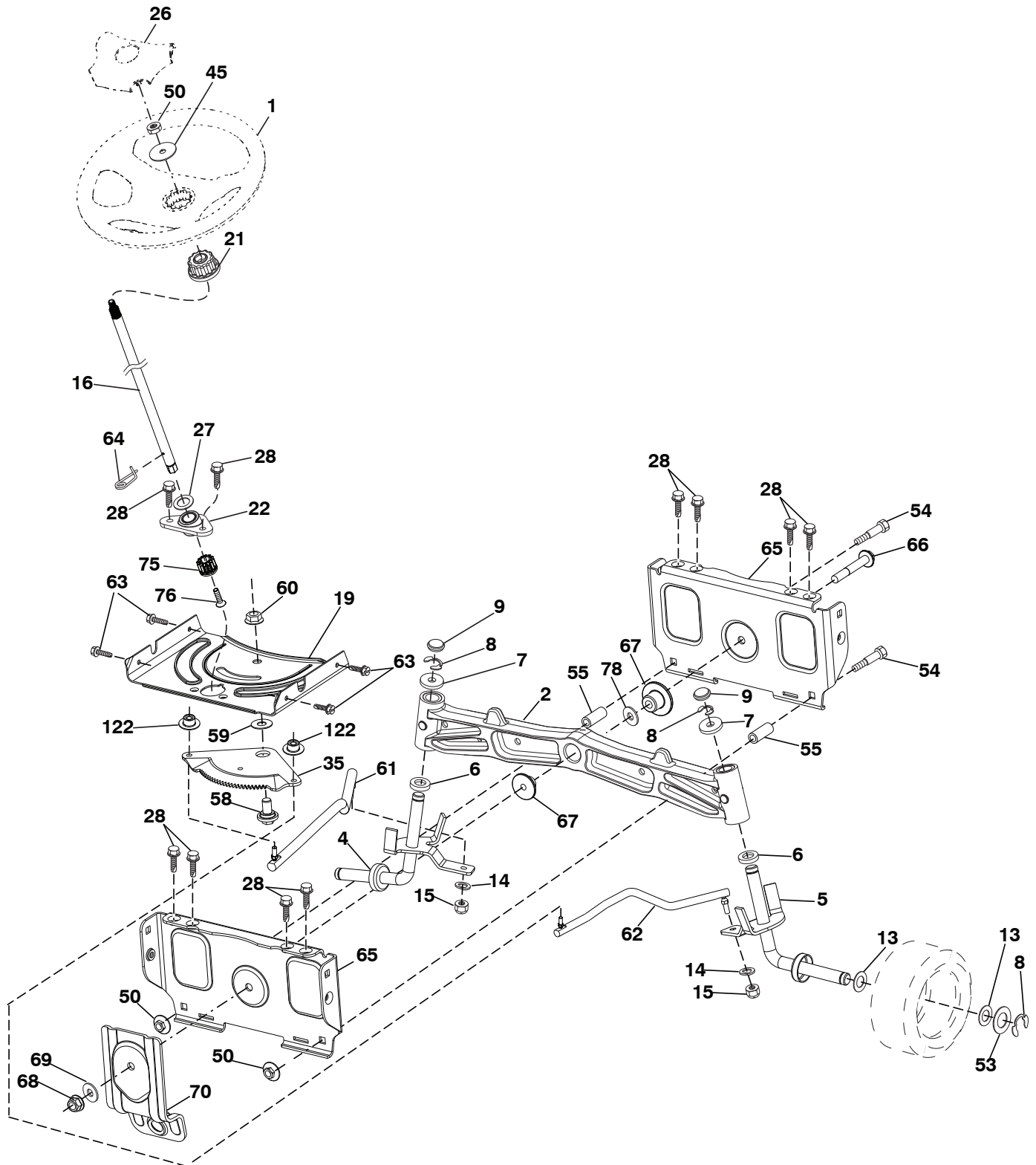
engine-tex_Kawa-2cyl_70

**TRACTOR MODELO NO. TS 348D (96043027000), PRODUCTO NO. 960 43 02-70
MOTOR**

CÓDIGO No.	PIEZA No.	DESCRIPCIÓN
1	---	Motor KAWA modelo No. FR730V-ES04 (445363)(Haga el pedido de las piezas al fabricante del motor.)
2	589 81 87-01	Silenciador
9	501 83 26-02	Ensamble del sujetador de la correa del motor
11	587 24 14-01	Embrague de eléctrico
12	532 19 43-43	Polea del motor
15	532 42 29-01	Tanque de Gasolina de 4,0 R
18	585 12 48-01	Tapa
20	532 41 21-65	Control del regulador
21	532 41 63-58	Tornillo No. 10 x 0,75 con rosca reforzada
22	532 18 95-41	Control de la estrangulación del motor
28	532 40 11-35	Línea de combustible
29	532 13 71-80	Equipo apagachispas
37	532 12 34-87	Abrazadera de la manguera
41	532 12 61-97	Arandela 1-1/2 x 15/32 x .250
42	539 99 02-47	Arandela de 7/16
45	873 51 04-00	Tuerca
62	532 14 66-29	Silenciador con pantalla térmica
69	532 17 81-51	Junta
70	583 95 56-01	Tubo de escape izquierdo
71	583 95 57-01	Tubo de escape derecho
81	532 14 84-56	Tubo de drenaje
85	501 60 69-01	Perno de 7/16-20 x 3.0 x grado 5
86	532 18 43-62	Tuerca
90	817 00 06-16	Tornillo de 3/8-16 x 1
91	532 18 74-95	Buje
92	817 12 06-16	Tornillo 3/8-16 x 1
102	817 00 05-12	Tornillo 5/16-18 x 3/4
109	532 41 41-14	Filtro de carbón
110	532 41 41-18	Válvula
111	532 41 41-19	Línea de purge
113	532 41 41-27	Válvula
117	532 42 08-28	Válvula de la reserva del combustible

NOTA: Las dimensiones de todos los componentes están expresadas en pulgadas americanas. 1 pulgada = 25,4 mm
Para las piezas del servicio y de recambio del motor, llame el número gratis para su fabricante del motor enumerado abajo:
Kawasaki 1-949-460-5688

TRACTOR MODELO NO. TS 348D (96043027000), PRODUCTO NO. 960 43 02-70
ENSAMBLE DE LA DIRECCIÓN



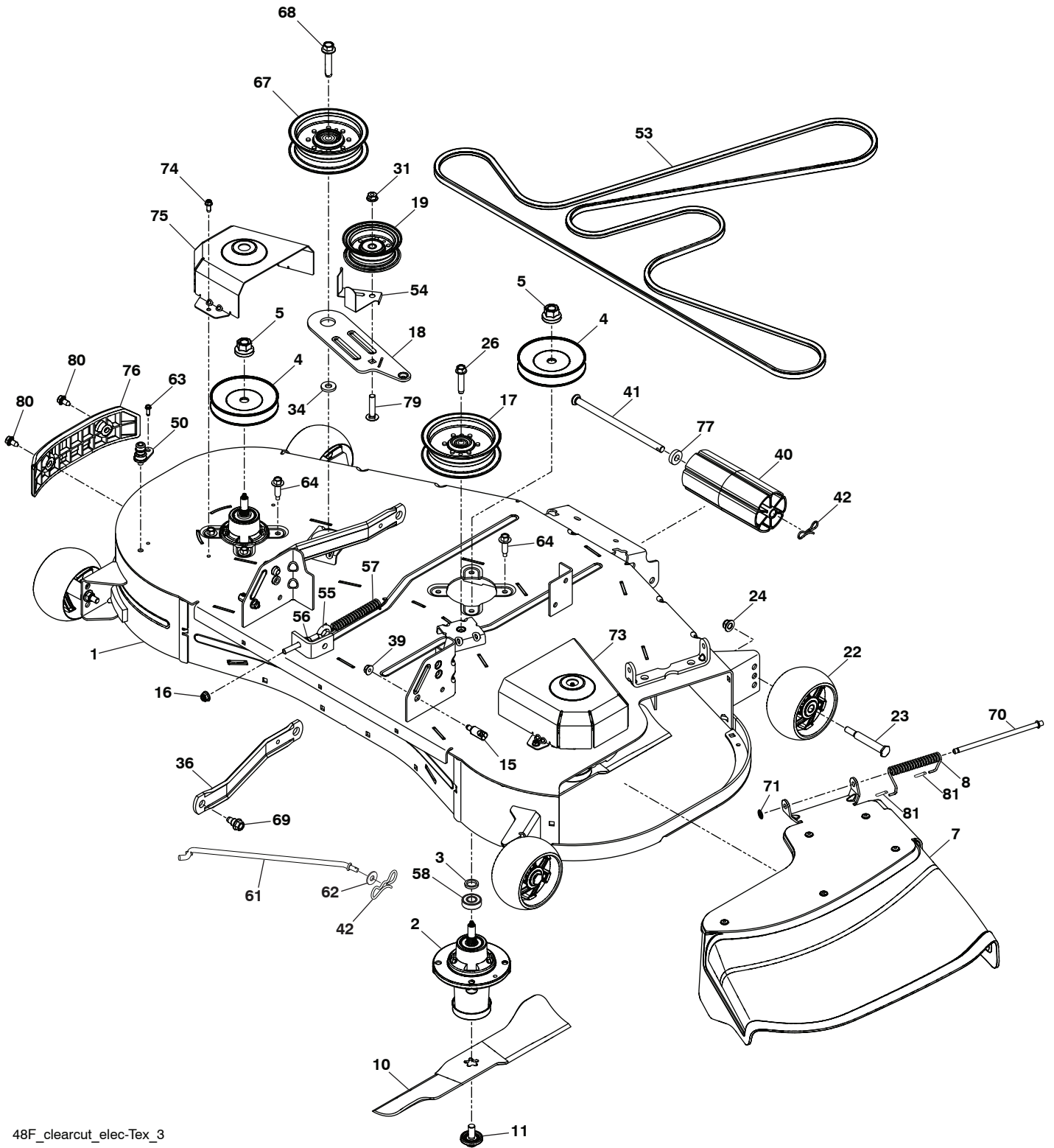
steering-tex_HUSQSR_70

**TRACTOR MODELO NO. TS 348D (96043027000), PRODUCTO NO. 960 43 02-70
ENSAMBLE DE LA DIRECCIÓN**

CÓDIGO No.	PIEZA No.	DESCRIPCIÓN
1	532 43 97-40	Volante de dirección
2	532 19 59-68	Ensamble del eje delantero
4	532 40 30-89	Ensamble del husillo izquierdo
5	532 40 30-90	Ensamble del husillo derecho
6	532 12 49-31	Pista del rodamiento para reforzar el impulso
7	532 12 17-48	Arandela de 25/32 x 1-5/8 calibre 16
8	812 00 00-29	Abrazadera del aro No. T5304-75
9	532 12 12-32	Tapa del husillo
13	532 12 17-49	Arandela de 25/32 x 1-1/4 calibre 16
14	539 99 01-18	Arandela de 3/8
15	873 54 06-00	Tuerca de 3/8-24 unf
16	587 01 60-02	Eje de dirección
19	532 19 47-29	Placa de dirección
21	586 84 02-01	Adaptador del volante de dirección
22	585 02 98-02	Rodamiento
26	532 43 97-43	Inserto del volante de dirección
27	819 21 16-16	Arandela
28	817 00 06-12	Tornillo de 3/8-16 x 3/4
35	532 19 47-32	Engranaje del sector de la placa
45	587 01 64-01	Arandela 3/8 ID 2-3/8 OD calibre 12 PLTD
50	873 90 06-00	Tuerca 3/8-16 unc
53	532 18 89-67	Arandela reforzada de, 793 x 1,637 x 0,060
54	874 76 06-36	Tornillo 3/8-16 unc x 2-1/4
55	532 41 47-36	Tornillo 3/8-16 unc x 2-1/4
58	532 19 47-47	Perno de tope del sector del pivote CFM
59	532 19 47-48	Arandela de empuje del sector de dirección
60	873 97 10-00	Tuerca de 5/8-11
61	588 79 44-02	Barra de acoplamiento izquierda
62	588 79 45-02	Barra de acoplamiento derecha
63	817 00 05-12	Tornillo de 5/16-18 x 3/4
64	532 19 98-49	Abrazadera de retención del resorte de la dirección
65	532 19 47-34	Apoyo del árbol delantero
66	871 02 07-48	Perno de cabeza hexagonal con brida acanalada de 7/16-14 x 3
67	532 19 47-37	Buje PM del eje delantero
68	873 90 07-00	Tuerca de 7/16-14 grado 5
69	532 19 91-62	Arandela de 1,5 x 0,505 x 0,118
70	585 33 88-01	Soporte de la plataforma delantera
75	580 68 37-01	Piñón
76	580 68 36-01	Tornillo
78	532 05 70-79	Tuerca
122	532 44 49-62	Tapa

NOTA: Las dimensiones de todos los componentes están expresadas en pulgadas americanas. 1 pulgada = 25,4 mm

TRACTOR MODELO NO. TS 348D (96043027000), PRODUCTO NO. 960 43 02-70
PLATAFORMA DE LA CORTADORA DE CÉSPED



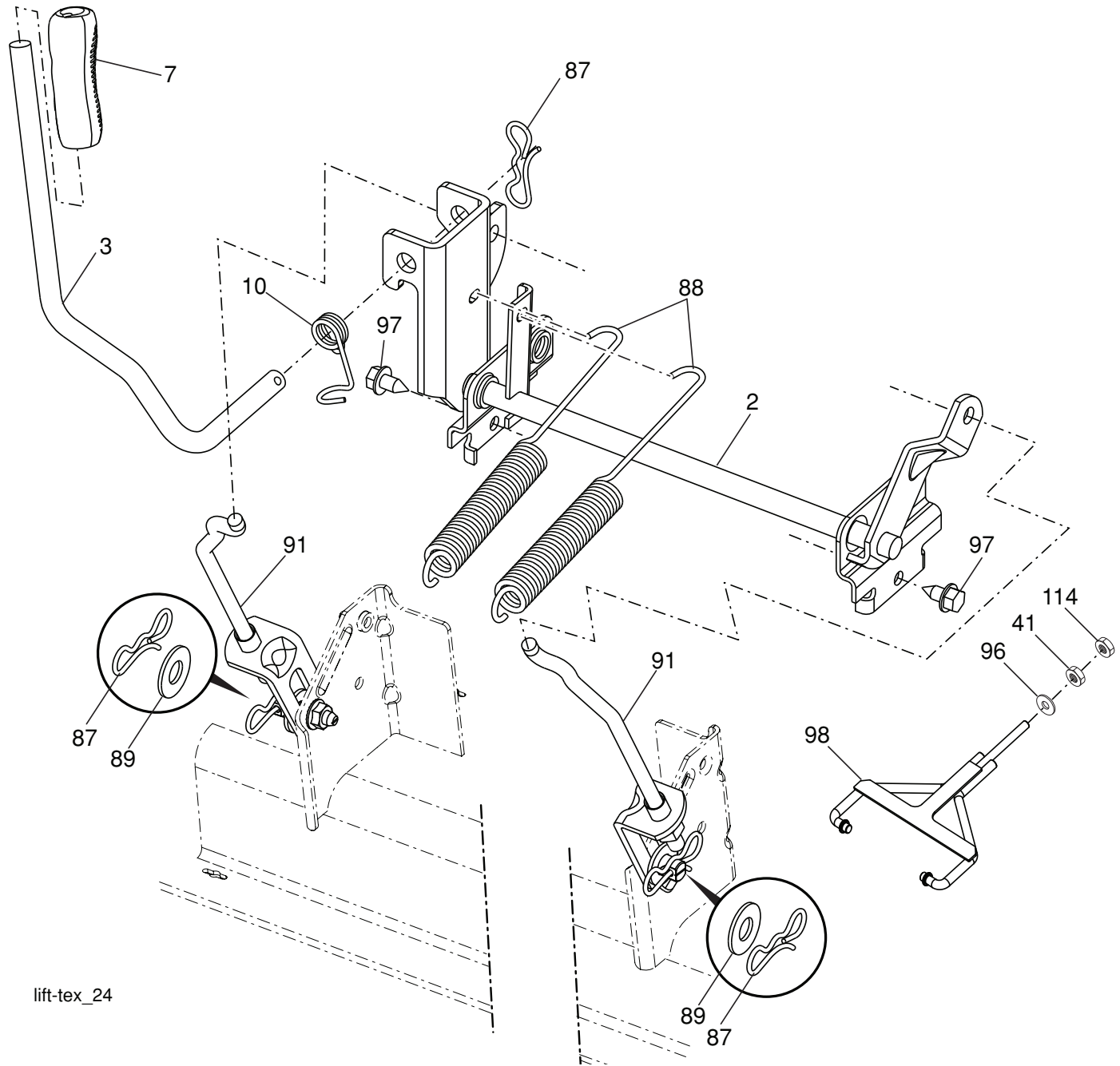
48F_clearcut_elec-Tex_3

**TRACTOR MODELO NO. TS 348D (96043027000), PRODUCTO NO. 960 43 02-70
PLATAFORMA DE LA CORTADORA DE CÉSPED**

CÓDIGO No.	PIEZA No.	DESCRIPCIÓN	CÓDIGO No.	PIEZA No.	DESCRIPCIÓN
1	588 78 80-02	Cubierta	55	539 11 55-74	Perno de argolla 5/16 x 3-1/2
2	539 13 18-98	Ensamble de la cubierta	56	539 99 05-85	Tuerca 5/16-18
3	532 18 76-90	Arandela	57	587 35 84-01	Resorte
4	532 17 34-34	Polea	58	532 11 04-85	Rodamiento de bolitas
5	532 40 02-34	Tuerca	61	532 40 03-37	Varilla
7	588 98 07-01	Deflector	62	819 13 13-12	Arandela 13/32 x 13/16 x calibre 12
8	587 35 47-01	Resorte - torsión	63	817 49 04-10	Tornillo 1/4-20 x 5/8
10	588 81 10-02	Cuchilla	64	584 95 39-01	Perno .313-18 x 1.19
11	532 19 30-03	Perno, 7/16-20	67	532 19 61-06	Polea
15	532 19 51-61	Sujetador del perno prisionero	68	817 49 06-28	Tornillo 3/8-16 x 1-3/4 TT
16	539 11 28-99	Tuerca	69	532 19 65-39	Perno
17	532 19 61-04	Polea más ociosa	70	532 13 14-91	Varilla
18	588 81 22-02	Brazo más ocioso	71	532 11 04-52	Tuerca
19	532 19 31-97	Polea más ociosa	73	588 81 24-02	Cubierta del mandril lado derecho
22	589 52 73-01	Rueda, calibrador	74	532 13 77-29	Tornillo 1/4-20 x 5/8
23	532 19 34-06	Perno 3/8-16 x 3-5/8	75	588 81 31-02	Cubierta del mandril lado izquierdo
24	521 99 65-01	Tuerca 3/8-16	76	582 54 11-01	Guarnición
26	588 43 83-01	Tornillo 7/16-14 x 2.125	77	582 36 05-01	Buje
31	873 90 06-00	Tuerca 3/8-16	79	872 11 06-14	Perno 3/8-16 unc x 1-3/4 Gr. 5
34	532 17 85-15	Arandela	80	532 17 01-65	Perno 5/16
36	532 19 51-85	Suspensión posterior del brazo	81	532 10 53-04	Tapa
39	873 90 05-00	Tuerca 5/16-18	--	532 41 64-05	Accesorio del conexión
40	532 17 60-66	Rodillo de la nariz	--	589 42 88-01	Reemplazo de la cortadora de césped, completa
41	532 17 91-27	Varilla, rodillo de la nariz			
42	532 19 42-08	Pasador de chaveta			
50	532 41 55-98	Puerto del derrubio			
53	588 81 43-01	Correa, cubierta			
54	532 14 10-43	Protector, correa			

NOTA: Las dimensiones de todos los componentes están expresadas en pulgadas americanas. 1 pulgada = 25,4 mm

TRACTOR MODELO NO. TS 348D (96043027000), PRODUCTO NO. 960 43 02-70
ELEVACIÓN DE LA CORTADORA DE CÉSPED



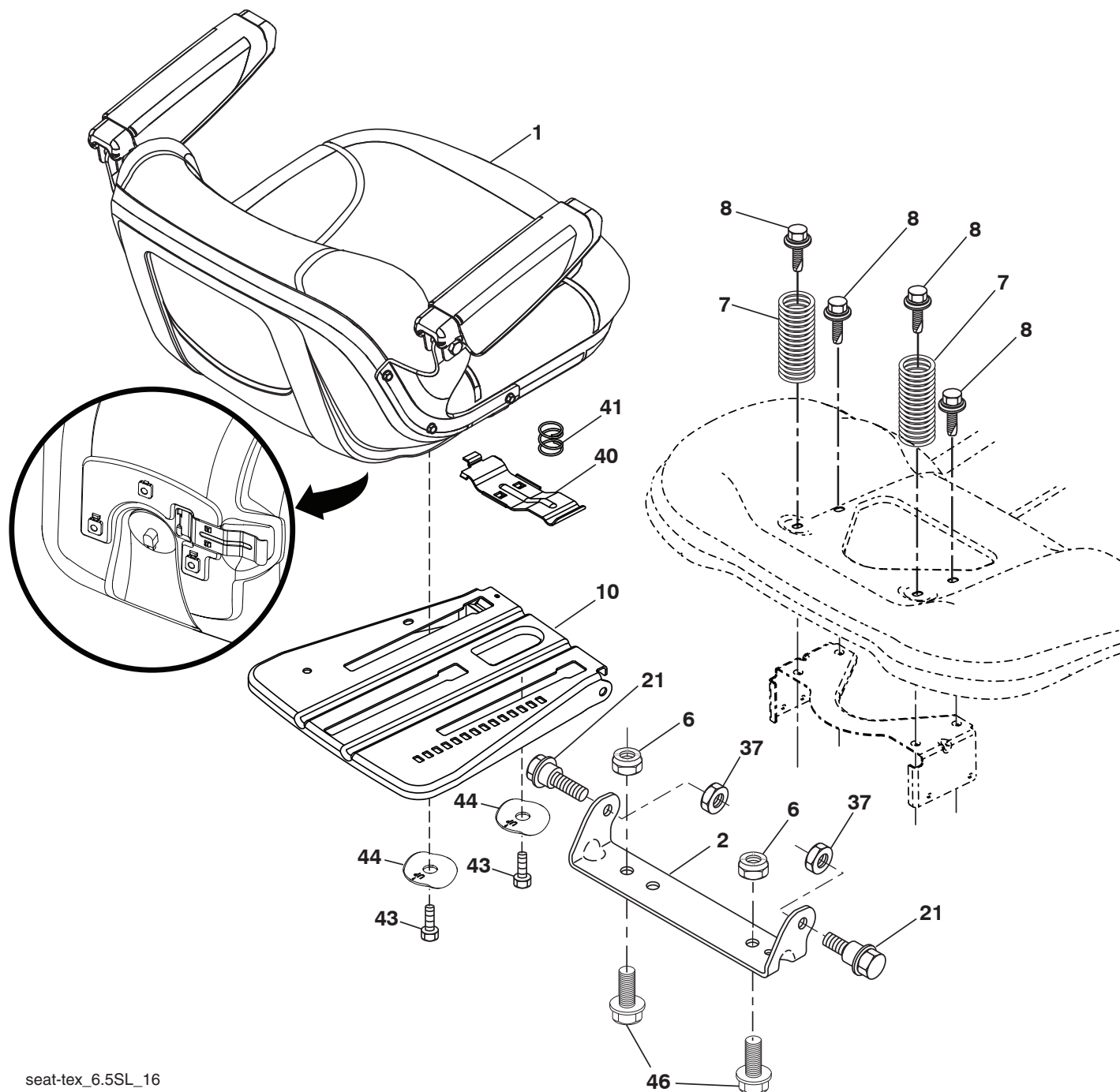
lift-tex_24

CÓDIGO No.	PIEZA No.	DESCRIPCIÓN
2	532 42 20-27	Ensamble del eje de la elevación
3	532 19 52-30	Ensamble de la palanca de elevación derecha
7	580 96 23-01	Mango de la palanca
10	532 19 63-14	Resorte de torsión
41	532 17 59-94	Tuerca
87	532 19 42-09	Pasador de chaveta de 7/16 con bloqueo en forma de mariposa
88	532 19 53-04	Resorte de ayuda de la elevación
89	819 19 19-12	Arandela de zinc transparente

CÓDIGO No.	PIEZA No.	DESCRIPCIÓN
91	532 40 34-07	Ensamble del acoplamiento Elevación trasera
96	532 19 52-63	Buje
97	817 00 06-12	Tornillo de 3/8-16 x 0,75
98	574 82 25-01	Acoplamiento frontal de la elevación de la cortadora de césped
114	873 36 07-00	Tuerca 7/16-20

NOTA: Las dimensiones de todos los componentes están expresadas en pulgadas americanas. 1 pulgada = 25,4 mm

**TRACTOR MODELO NO. TS 348D (96043027000), PRODUCTO NO. 960 43 02-70
ENSAMBLE DEL ASIENTO**



seat-tex_6.5SL_16

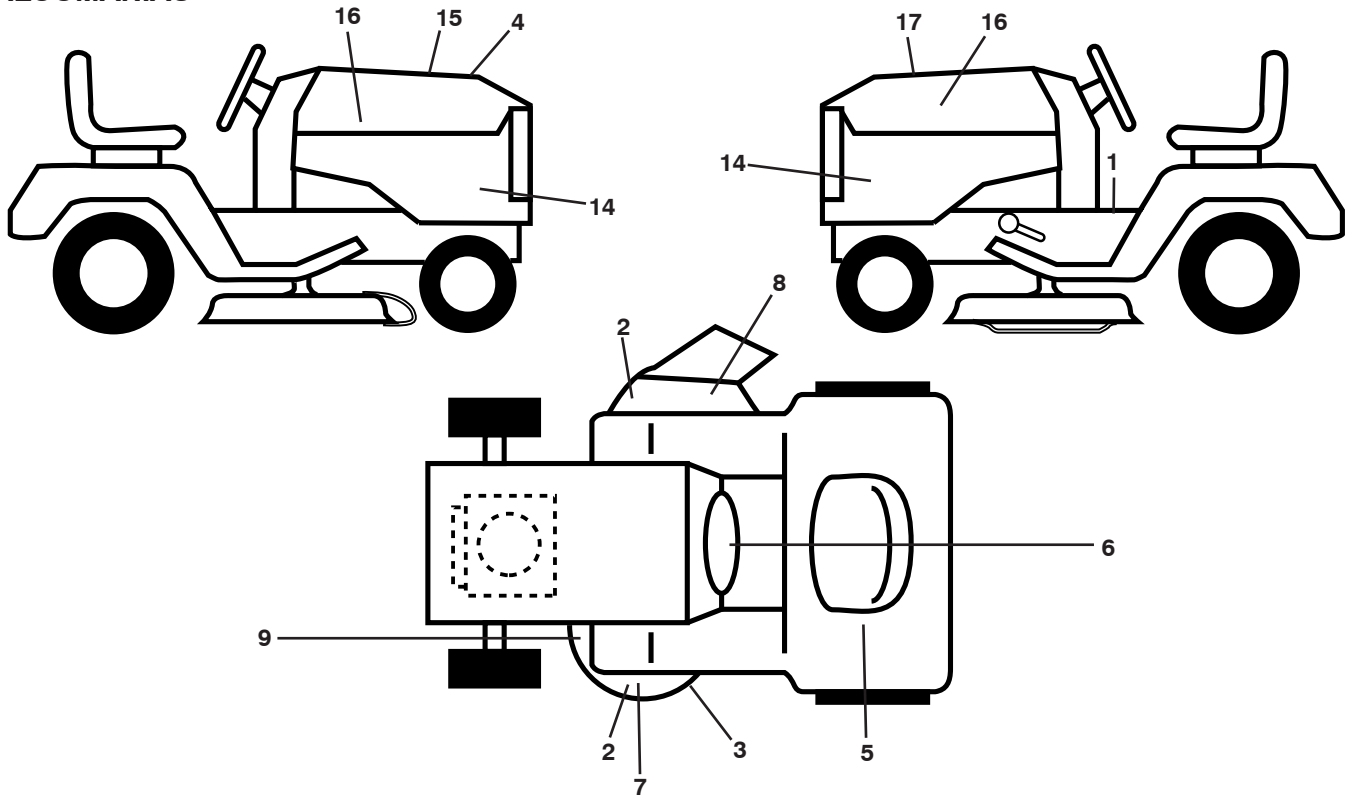
CÓDIGO No.	PIEZA No.	DESCRIPCIÓN
1	588 55 67-01	Asiento
2	532 18 01-66	Soporte pivotante del guardabarros
6	873 80 06-00	Tuerca de presión c/aislamiento de 3/8-16 unc
7	589 48 35-01	Resorte del asiento
8	532 17 18-77	Perno de 5/16" unc x 3/4"
10	587 23 20-02	Bandeja del asiento
21	587 90 78-01	Perno de tope de 5/16-18 x 5/8
37	873 80 05-00	Tuerca de presión de 5/16-18 unc

CÓDIGO No.	PIEZA No.	DESCRIPCIÓN
40	532 19 76-61	Manija para deslizar el asiento
41	532 19 82-00	Resorte para trabar el asiento
43	874 76 06-12	Perno de cabeza hexagonal con aleta de 3/8-16 unc x 3/4
44	501 05 18-01	Arandela con alas
46	588 09 04-01	Perno de 3/8-16 x 1, 1.25

NOTA: Las dimensiones de todos los componentes están expresadas en pulgadas americanas. 1 pulgada = 25,4 mm

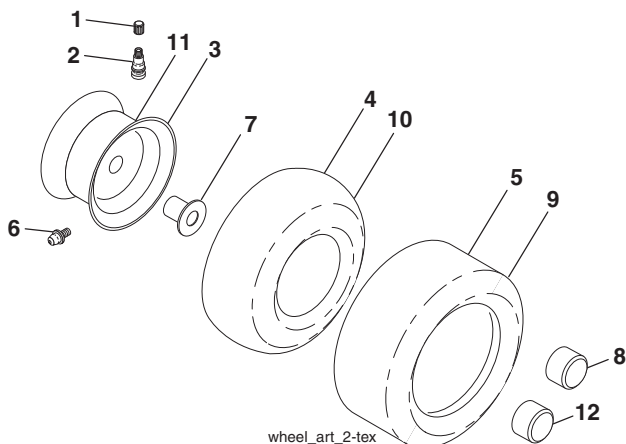
TRACTOR MODELO NO. TS 348D (96043027000), PRODUCTO NO. 960 43 02-70

CALCOMANÍAS



CÓDIGO No.	PIEZA No.	DESCRIPCIÓN	CÓDIGO No.	PIEZA No.	DESCRIPCIÓN
1	581 57 89-01	Calcomanía, Advertencia	15	532 42 38-29	Calcomanía
2	589 35 79-01	Calcomanía, Ningún paso	16	581 62 73-01	Calcomanía para la capota, logo
3	581 58 00-02	Calcomanía del diagrama de la cortadora de césped	17	589 62 66-01	Calcomanía de reemplazo
4	532 42 38-29	Calcomanía, Advertencia	--	581 72 48-01	Calcomanía para la desviación
5	587 01 51-01	Calcomanía, Cuidado	--	532 43 98-82	Forro del apoyo para los pies izquierdo
6	596 02 42-01	Calcomanía, Advertencia	--	532 43 98-81	Forro del apoyo para los pies derecho
7	590 88 50-01	Calcomanía, 48" corte claro	--	115 95 78-49	Manual del operario (Inglés/Español)
8	586 97 88-01	Calcomanía, Advertencia	--	115 95 79-49	Manual de repuestos (Inglés/Español)
9	592 89 83-01	Calcomanía, Garantía de cubierta	--	587 71 00-26	Manual de QSG (Inglés/Español)
14	593 12 46-01	Calcomanía para el panel lateral			

WHEELS AND TIRES



CÓDIGO No.	PIEZA No.	DESCRIPCIÓN
1	532 05 91-92	Tapa de la válvula del neumático
2	532 06 51-39	Vástago de la válvula
3	532 18 18-39	Ensamble de las llantas delanteras
4	532 00 81-34	Cámara delantera
5	532 10 62-30	Neumático delantero 16 x 6.5
6	532 12 49-57	Accesorio para engrasar (solo para la rueda delantera)
7	532 12 49-59	Rodamiento de la brida (solo para la rueda delantera)
8	532 17 50-39	Tapa del eje frente
9	532 10 55-88	Neumático trasero 23 x 10.5-12
10	532 00 71-54	Cámara trasera (Mantenimiento sólo)
11	532 14 45-10	Ensamble trasero de la llanta
12	501 50 31-01	Tapa del eje trasero negro
--	532 14 43-34	Sellador para neumáticos (tubo de 10 onzas [283 gr])

NOTA: Las dimensiones de todos los componentes están expresadas en pulgadas americanas. 1 pulgada = 25,4 mm

NOTES/AVISO



www.husqvarna.com