

Repair Parts Manual
Manual De Repuestos
TS 348D/96043028400

Please read the operator's manual carefully and make sure you understand the instructions before using the machine.

Por favor lea cuidadosamente y comprenda estas instrucciones antes de usar esta maquina.



English/Spanish



HOW TO USE THIS MANUAL

This manual is designed to provide the customer with a means to identify the parts on his/her tractor when ordering repair parts. The illustrations may or may not represent the actual assemblies; therefore, it is not recommended to use this manual as a guide to assemble or disassemble the tractor. Some hardware and parts are drawn larger in order to more readily identify them.

Each tractor has its own model number. The model number for your tractor can be found on the fender under the seat.

Support / Help

If you require assistance or have questions concerning the application, operation, maintenance or parts for your product:

- Visit our website: www.husqvarna.com
- Call Us Toll Free: 1-800-487-5951

When ordering parts, always give the following information:

- Product - "TRACTOR"
- MODEL NUMBER - "TS 348D" (96043028400)"
- Part Number
- Part Description

TABLE OF CONTENTS

SCHEMATIC	3
ELECTRICAL.....	4-5
CHASSIS	6-7
DRIVE.....	8-9
ENGINE.....	10-11
STEERING	12-13
MOWER DECK.....	14-15
MOWER LIFT.....	16
SEAT	17
DECALS.....	18

COMO UTILIZAR ESTE MANUAL

Este manual está diseñado para brindarle al comprador un medio para identificar las piezas del tractor para cuando necesite hacer el pedido de un repuesto. Las ilustraciones pueden o no representar los ensambles reales; por lo tanto, no se recomienda utilizar este manual como una guía para ensamblar o desarmar el tractor. Algunos accesorios y piezas están dibujados en tamaños más grandes para identificarlos con mayor facilidad.

Cada tractor tiene su propio número de modelo. El número de modelo del tractor se encuentra en el guardabarros debajo del asiento.

Soporte / Ayuda

Si necesita asistencia o tiene alguna pregunta acerca de la aplicación, operación, mantenimiento o piezas de su producto:

- Visite nuestro sitio web: www.husqvarna.com
- Llámenos de manera gratuita al: 1-800-487-5951

Cuando haga el pedido de una pieza, siempre brinde la siguiente información:

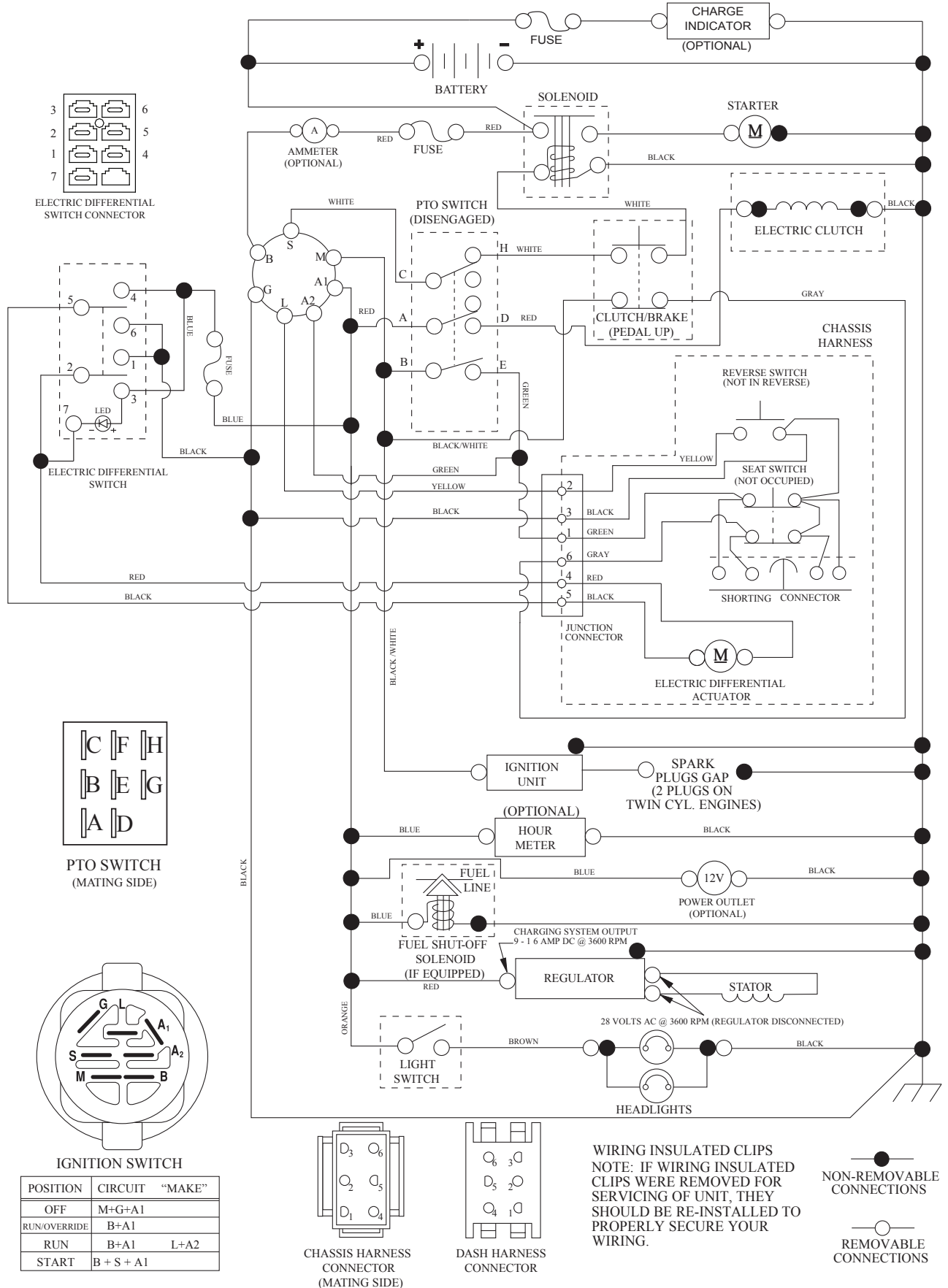
- Producto: "TRACTOR"
- NÚMERO DE MODELO: "TS 348D" (96043028400)"
- Número de pieza
- Descripción de la pieza

ÍNDICE

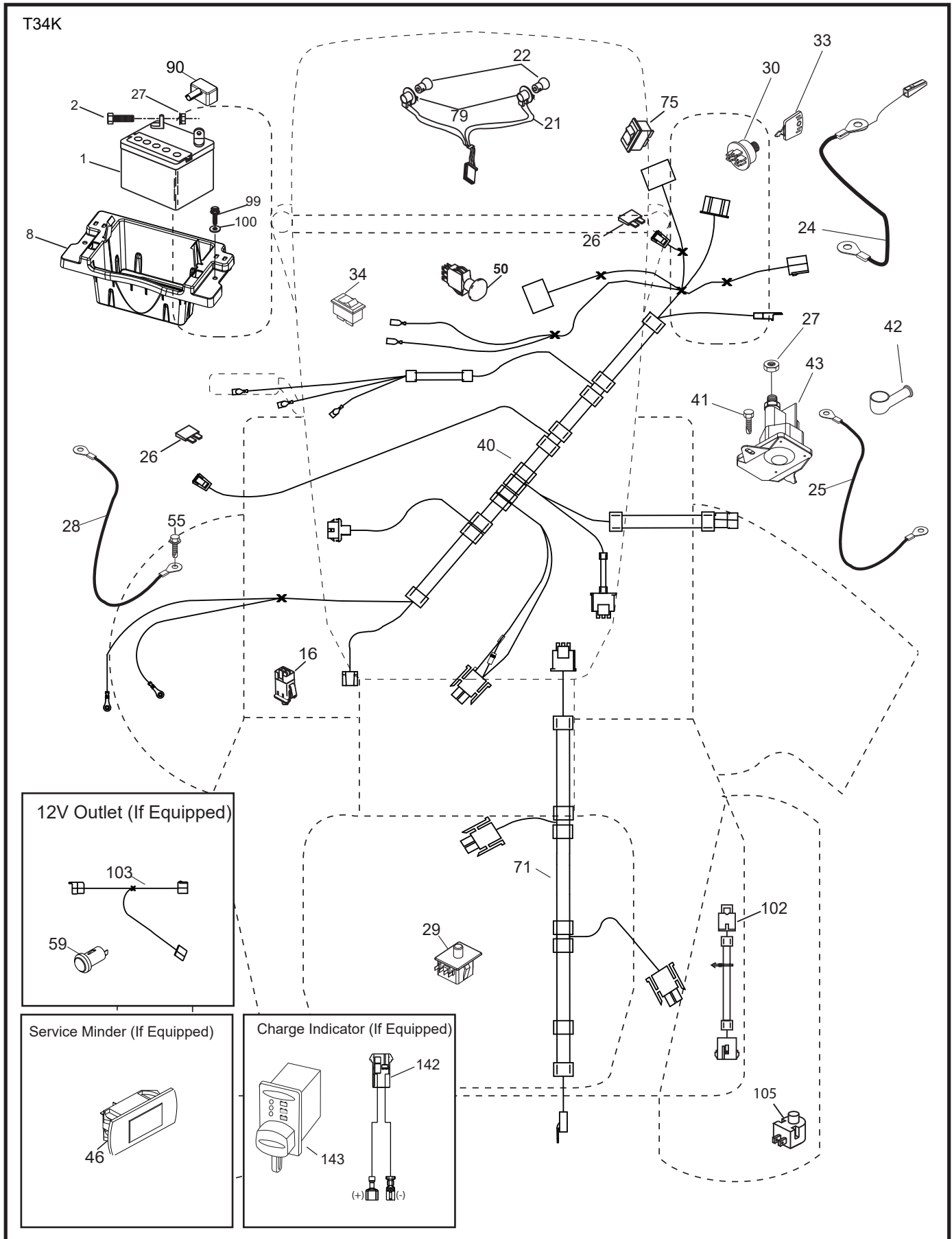
DIAGRAMA.....	19
DIAGRAMA ELÉCTRICO.....	20-21
CHASIS	22-23
TRANSMISIÓN	24-25
MOTOR.....	26-27
DIRECCIÓN	28-29
PLATAFORMA DE LA CORTADORA DE CÉSPED.....	30-31
ELEVACIÓN DE LA CORTADORA DE CÉSPED.....	32
ASIENTO.....	33
CALCOMANÍAS.....	34

TRACTOR - MODEL NO. TS 348D (96043028400), PRODUCT NO. 960 43 02-84 SCHEMATIC

SCH27



**TRACTOR - MODEL NO. TS 348D (96043028400), PRODUCT NO. 960 43 02-84
ELECTRICAL**



**TRACTOR - MODEL NO. TS 348D (96043028400), PRODUCT NO. 960 43 02-84
ELECTRICAL**

KEY NO.	PART NO.	DESCRIPTION
1	532 16 34-65	Battery
2	874 76 04-12	Bolt Hex Hd 1/4-20 unc x 3/4
8	587 20 51-01	Battery Box
16	532 17 61-38	Switch Interlock
21	532 40 02-52	Harness Socket Light
22	532 00 41-52	Bulb, Light #1156
24	585 55 56-01	Cable Battery
25	585 55 55-01	Cable Starter
26	532 17 51-58	Fuse
27	596 13 36-01	Locknut, Keps. 1/4-20
28	532 41 65-88	Cable Ground 21" Blk 6 Ga.
29	532 19 27-49	Switch Seat
30	532 19 33-50	Switch Ign
33	532 41 19-35	Key/Chain
34	532 11 07-12	Switch Light/Reset
40	580 72 35-02	Harness Ign. Dash
41	817 72 04-08	Screw 1/4-20 unc x 1/2
42	532 13 15-63	Cover Terminal Red
43	582 04 28-02	Solenoid
46	594 91 91-01	Hourmeter, Srvminder. Rect.
50	582 10 76-02	Switch PTO
55	817 06 05-12	Screw Thdrol 5/16-18 x 3/4
71	580 51 30-01	Harness Ign Chassis
75	580 36 64-01	Switch On/Off Diff Lock
79	532 17 52-42	Socket Asm. Bulb Twistlock
90	532 43 53-95	Cover Terminal Battery
99	817 67 04-12	Screw Hexwsh Thdrol 1/4-20 x 3/4
100	596 13 53-01	Washer, Plain 9/32 x 7/8 Clr. Zn.
102	532 40 44-54	Harness
105	532 40 75-68	Switch Reverse

NOTE: All component dimensions given in U.S. inches
1 inch = 25.4 mm

TRACTOR - MODEL NO. TS 348D (96043028400), PRODUCT NO. 960 43 02-84 CHASSIS

KEY NO.	PART NO.	DESCRIPTION	KEY NO.	PART NO.	DESCRIPTION
2	580 43 44-01	Drawbar	205	532 43 97-30	Skirt Hood Side RH
3	532 44 44-81	Logo Husq.	206	532 43 97-29	Skirt Hood Side LH
5	590 74 88-14	Dash, Upper	207	587 46 48-01	Headlight, Cup, Bezel, Hus. Gt2. RH
14	532 44 11-77	Hood	208	587 46 45-01	Headlight, Cup, Bezel, Hus. Gt2. LH
15	532 43 97-33	Lens LH	214	532 19 91-45	Clip Retainer
18	597 24 72-01	Grille, Asm. Gt. II, Incandescent	217	532 40 91-67	Rod Pivot
19	596 13 32-01	Washer 13/32 x 13/16 x 12 Ga.	221	532 19 89-09	Reflector LH
25	532 44 33-85	Lens RH	228	593 82 40-01	Stud, W/"D" Anti-rotation
36	817 06 05-12	Screw 5/16-18 x 3/4	235	596 56 42-01	Spacer, Fender, Clr. Zn
37	532 44 12-08	Fender	236	873 93 05-00	Nut Center Lock 5/16-18 unc
58	532 19 43-14	Bracket Fender	281	817 00 06-16	Screw 3/8-16 x 1 Smgml. Tap/R. Blk
68	596 03 07-01	Screw, Hexagon, 5/16-18 x 1/2	297	532 43 74-56	Insert Reflect. LH
125	581 68 48-01	Clip Fuel Line	306	873 90 06-00	Nut Lock
130	596 32 17-01	Screw, #10 x 0.750 BOS Thread	335	532 44 82-04	Cover RH Lower
137	532 40 75-90	Bumper Dash	336	532 44 53-09	Cover LH Lower
146	581 85 79-01	Bolt	350	532 44 51-43	Clip X-mas Tree
150	532 43 97-74	Duct Heat Hood	351	532 42 17-34	Pin Clevis .375 x 2.125
151	532 43 66-70	Bracket Pivot Hood	352	532 44 86-34	Clevis .375 x 2.125
152	532 43 98-70	Shield Browning	353	532 17 80-62	Clip Retainer .0375
159	817 00 06-12	Screw 3/8-16 x 3/4	354	593 19 69-01	Support, Diff. Lock, Bellcrank
161	532 43 99-29	Console Fuel Window	355	532 44 86-36	Bellcrank Pivot Lock Diff
162	596 13 41-01	Screw, Hex. Tap. 1/4-15 x 1/2	356	532 44 86-93	Link Lock Diff
165	532 19 43-30	Bracket Support Tank	357	532 44 86-84	Spring Compression
175	590 60 77-02	Crossmember	358	580 36 66-01	Swivel Guide
176	532 40 07-76	Screw 10-24 x 5/8 Wshd Qdrx	359	584 39 34-01	Actuator Electric
177	532 19 52-28	Bushing Steering	360	532 44 86-18	Bracket Actuator
179	532 16 89-37	Nut Push	361	596 56 40-02	Bolt, Hdd. 3/8-16 x 0.655 Clr. Zn.
180	593 34 63-01	Chassis	362	532 44 86-33	Clevis .375 x 2.42
182	532 40 68-59	Dash Lower	365	532 44 73-68	Nylon Spacer .375 x .4375L
183	595 30 57-01	Screw, Hexagon, 5/16-18 x 1-1/4	375	586 90 82-01	Dash Clip-On Bumper
189	817 00 05-12	Screw 5/16-18 x 3/4	378	590 84 98-01	Bushing Flange
191	532 43 74-55	Insert Reflect. RH	- -	597 33 48-01	Bumper
194	596 13 57-01	Nutlock, Prvl, Torq. 5/16-18 x .68			
195	532 40 41-37	Plug Hole Dash			
196	532 43 96-74	Console Asm. Deck Lift			
199	532 19 82-59	Plate Deck Lift			
202	532 43 97-28	Vent Side Hood RH			
203	532 43 97-27	Vent Side Hood LH			
204	587 48 58-01	Vent, Top, Asm. Husq. Gt2			

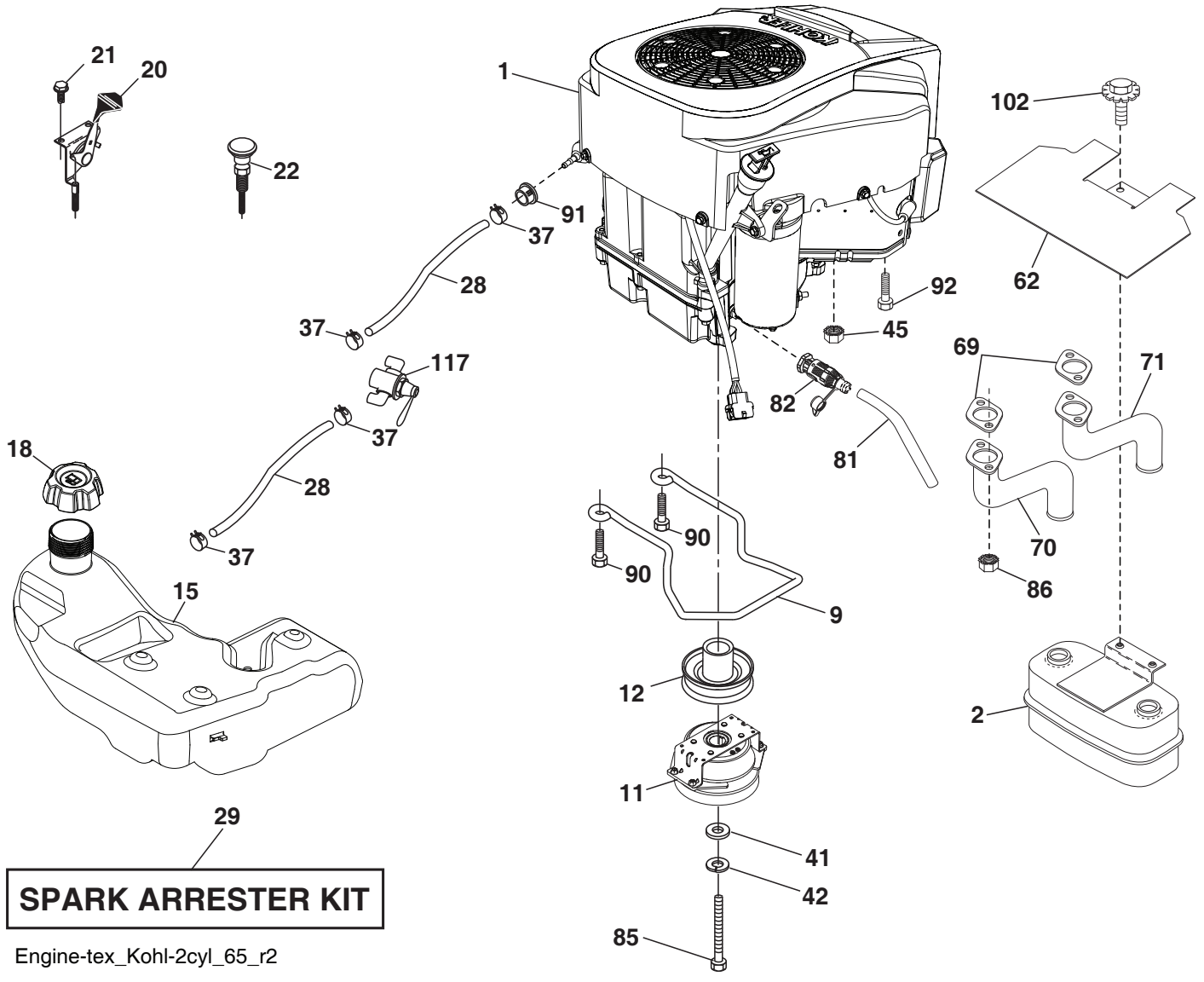
NOTE: All component dimensions given in U.S. inches
1 inch = 25.4 mm

TRACTOR - MODEL NO. TS 348D (96043028400), PRODUCT NO. 960 43 02-84 DRIVE

KEY NO.	PART NO.	DESCRIPTION	KEY NO.	PART NO.	DESCRIPTION
1	---	Transaxle, Tufftorq K66ELD (580402201)(Order parts from transaxle manufacturer.)	177	587 22 53-01	Pin, Cotter, Locking, Bowtie, 1 in.
2	539 91 27-57	Key .25 x 1.25	183	587 58 74-01	Spacer, Split, 1.000 ID x 1.75
3	532 00 75-63	Washer Thrust Axle Hardened	184	587 65 37-01	Handle Parking Brake
7	586 93 54-02	Hub Asm. Wheel	185	872 11 06-22	Bolt Rdhd 3/8-16 unc x 2-3/4 G5
9	596 21 87-01	Bolt, 7/16-14 x 1-3/8"	186	532 19 43-21	Spacer Retainer
15	819 13 13-16	Washer 13/32 x 13/16 x 16 Ga.	187	596 13 55-01	Washer, 13/32 x 2 Clear, Zinc
17	532 40 10-72	Spring, Brake	188	582 21 70-01	Link Clutch Ground Drive Long
26	532 19 96-79	Spring Return Cruise	189	532 19 43-17	Bellcrank Ground Drive
29	532 40 72-45	Rod, Brake	190	532 19 43-18	Keeper Bellcrank Ground Drive
33	812 00 00-53	Ring E	196	817 00 06-16	Screw 3/8-16 x 1
35	590 60 59-02	Rod, Brake, Park	197	585 65 86-02	Bracket Clutch Anti-Rotation
42	532 00 88-83	Cover, Pedal, Blk. Round	205	532 12 38-00	Washer 1-1/32 x 1-5/8 x 16 Ga.
49	596 13 62-01	Bolt, Cup Head, 3/8-16 x 3/4	206	532 44 85-96	Bracket Mount Latch Cruise
50	532 19 43-27	Pulley Idler Flat	207	587 03 14-02	Latch Control Cruise
51	873 90 06-00	Lock Nut 3/8-16	208	596 56 41-01	Gear
52	532 19 43-26	Idler V-Groove	209	590 52 78-02	Rod Control Cruise
56	592 85 53-01	V-Belt, Drive	210	532 19 78-60	Rocker Asm. Pedal Control
64	532 19 78-65	Shaft Asm. Pedal Brake Control	211	532 12 01-83	Bearing Nylon
70	532 43 96-61	Console Asm	213	532 40 31-19	Knob Control Cruise
73	595 31 66-01	Bolt, Hhd W/Flange 5/16-18 Gr. 5	214	532 42 12-63	Pedal Forward
74	596 13 41-01	Screw, Hex. Tap 1/4-15 x 1/2	215	586 60 65-02	Pedal Reverse
80	589 33 34-02	Strap Torque	220	532 19 89-08	Reflector RH
92	595 30 57-01	Screw, Hexagon, 5/16-18 x 1-1/4	221	532 40 31-87	Retainer Spring Clip Handle
99	582 40 47-01	Spring Bypass	222	879 21 20-10	Washer 21/32 x 1-1/4 x 10 Ga.
116	596 13 57-01	Nutlock, Prvl. Torq. 5/16-18 x .68	225	532 40 73-11	Keeper Belt
125	817 00 05-12	Screw 5/16-18 x 3/4	226	532 40 71-09	Bracket Mount Torque
153	532 00 44-97	Retainer, Spring, 1" Zinc/CAD	282	874 49 05-48	Bolt 5/16-18 x 3.0 G5
159	596 02 95-01	Pin, Cotter, 1/8 Dia. x 3/4	304	532 42 33-03	Pin .059 x 1.125
161	532 10 57-09	Spring, Return, Clutch	366	592 87 80-02	Bracket Reinforcement
163	532 40 72-46	Rod Pedal Control			
166	532 42 91-64	Nut Push .625			
167	532 40 52-57	Latch Brake Parking			
170	532 19 43-22	Keeper V-Idler Centerspan			
171	596 13 63-01	Bolt, Cup Head, 3/8-16 x 2			

NOTE: All component dimensions given in U.S. inches
1 inch = 25.4 mm

**TRACTOR - MODEL NO. TS 348D (96043028400), PRODUCT NO. 960 43 02-84
ENGINE**



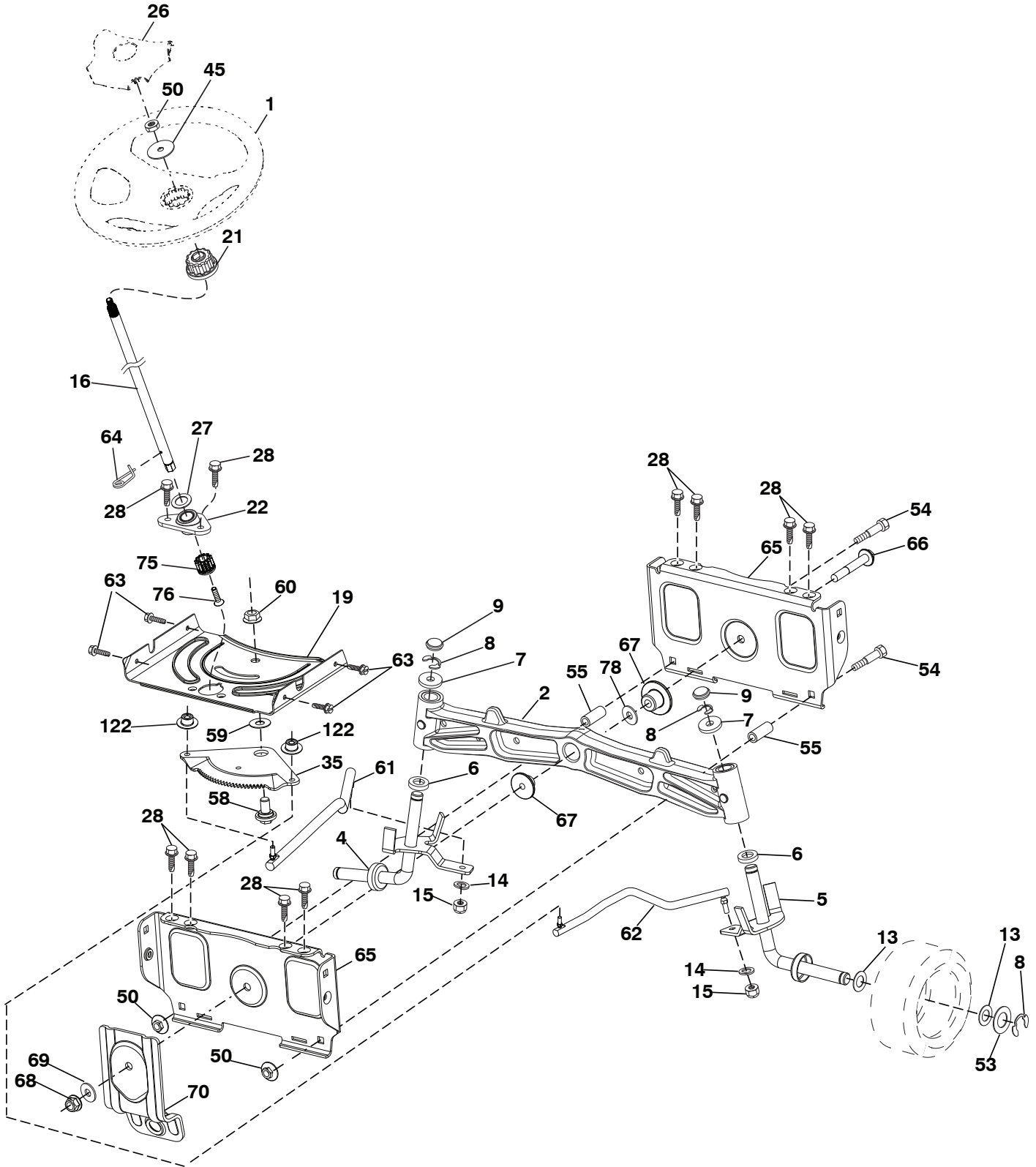
**TRACTOR - MODEL NO. TS 348D (96043028400), PRODUCT NO. 960 43 02-84
ENGINE**

KEY NO.	PART NO.	DESCRIPTION
1	— — — — —	Engine Kohler Model No. KT735-3038 (587959801) (Order parts from engine manufacturer.)
2	589 81 87-01	Muffler
9	501 83 26-02	Keeper Belt Engine
11	587 24 14-01	Clutch
12	532 19 43-43	Pulley Engine
15	532 43 80-30	Tank Fuel, Asm. 4 Gal.
18	585 12 48-01	Cap Fuel
20	532 18 29-37	Control Throttle
21	596 32 17-01	Screw, #10 x 0.750 BOS Thread
22	532 19 15-96	Control Choke
28	532 40 11-35	Fuel Line
29	532 13 71-80	Spark Arrester Kit
37	532 12 34-87	Clamp Hose
41	532 12 61-97	Washer 1-1/2 OD x 15/32 ID x .250
42	596 23 89-01	Washer, 7/16 in. Clr. Zn
45	596 13 36-01	Locknut, Keps. 1/4-20
62	532 43 40-17	Shield Heat
69	532 18 60-54	Gasket
70	583 95 45-01	Exhaust Tube LH
71	583 95 48-01	Exhaust tube RH
81	532 14 84-56	Tube Drain Oil Easy
82	532 42 82-87	Valve Oil Drain
85	501 60 69-01	Bolt Hex 7/16-20 x 3.0 Gr. 5
86	532 18 43-62	Nut. Hex.Flange
90	817 00 06-16	Screw 3/8-16 x 1
91	532 18 74-95	Bushing
92	817 12 06-16	Screw 3/8-16 x 1
102	817 00 05-12	Screw 5/16-18 x 3/4 SMGML
117	532 42 08-28	Valve Fuel Reserve

NOTE: All component dimensions given in U.S. inches
1 inch = 25.4 mm

For engine service and replacement parts, call the toll free
number for your engine manufacturer listed below:
Kohler Co. 1-800-544-2444

TRACTOR - MODEL NO. TS 348D (96043028400), PRODUCT NO. 960 43 02-84
STEERING ASSEMBLY



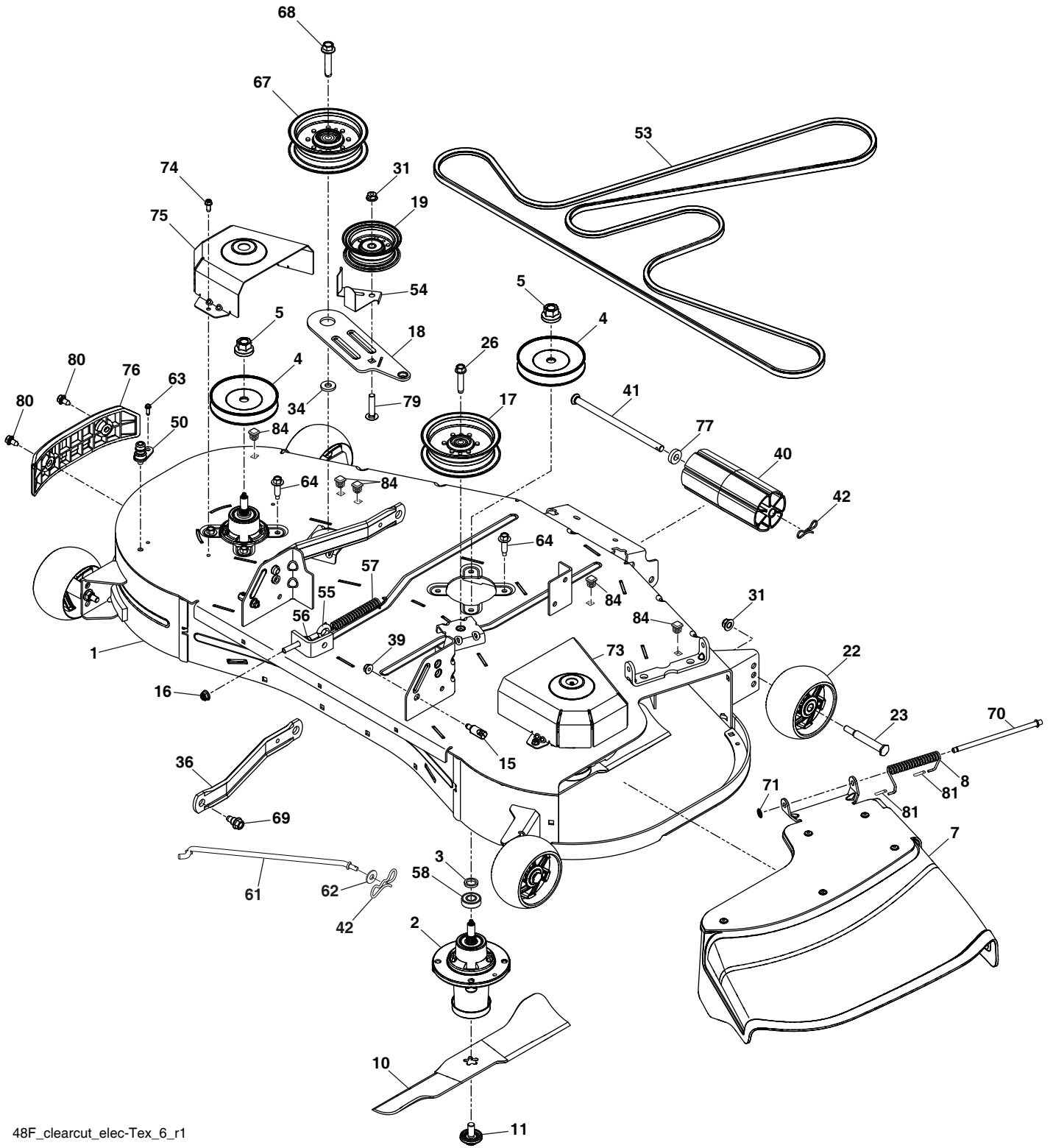
steering-tex_HUSQSR_70

**TRACTOR - MODEL NO. TS 348D (96043028400), PRODUCT NO. 960 43 02-84
STEERING ASSEMBLY**

KEY PART NO.	PART NO.	DESCRIPTION
1	532 43 97-40	Wheel, Steering
2	532 19 59-68	Axle Asm., Front
4	532 40 30-89	Spindle Asm. LH
5	532 40 30-90	Spindle Asm. RH
6	532 00 62-66	Washer, Threst, .75 x 1.230
7	532 12 17-48	Washer 25/32 x 1-5/8 x 16 Ga.
8	812 00 00-29	Ring, Clip #T5304-75
9	532 12 12-32	Cap, Spindle
13	532 12 17-49	Washer 25/32 x 1-1/4 x 16 Ga.
14	596 23 87-01	Washer, Spring, Lock, .381 ID x .680
15	873 54 06-00	Nut, Crown Lock 3/8-24 unf
16	587 01 60-02	Steering Shaft
19	532 19 47-29	Plate Steering
21	586 84 02-01	Adapter Wheel Steering
22	585 02 99-01	Bearing
26	532 43 97-43	Insert, Wheel Steering
27	596 93 34-01	Washer, Plain
28	817 00 06-12	Screw 3/8-16 x 3/4
35	532 19 47-32	Gear, Sector Plate
45	587 01 64-01	Washer 3/8 ID 2-3/8 OD 12 Ga. PLTD
50	873 90 06-00	Nut Lock Flg 3/8-16 unc
53	532 18 89-67	Washer Hardened .793 x 1.637 x .060
54	874 76 06-36	Bolt Hex 3/8-16 unc x 2-1/4
55	532 41 47-36	Bolt Hex 3/8-16 unc x 2-1/4
58	532 19 47-47	Bolt Shoulder Sector Pivot CFM
59	532 19 47-48	Washer Thrust Sector Steering
60	873 97 10-00	Nut Flange Lock 5/8-11
61	597 07 02-02	Draglink, LH. Adj. Std. Clrzn.
62	597 07 03-02	Draglink, RH. Adj. Std. Clrzn.
63	817 00 05-12	Screw 5/16-18 x 3/4
64	532 19 98-49	Retainer Clip Spring Steering
65	532 19 47-34	Brace Axle Front
66	871 02 07-48	Bolt Hex Fghd 7/16-14 x 3 Serr
67	532 19 47-37	Bushing PM Front Axle
68	873 90 07-00	Nut Lock Flange 7/16-14 Gr. 5
69	532 19 91-62	Washer 1.5 x .505 x .118
70	585 33 88-01	Bracket Deck Susp. Front
75	580 68 37-01	Pinion
76	580 68 36-01	Screw Head Sock
78	532 05 70-79	Washer Thrust
122	532 44 49-62	Cap Gear Sector

NOTE: All component dimensions given in U.S. inches
1 inch = 25.4 mm

**TRACTOR - MODEL NO. TS 348D (96043028400), PRODUCT NO. 960 43 02-84
MOWER DECK**



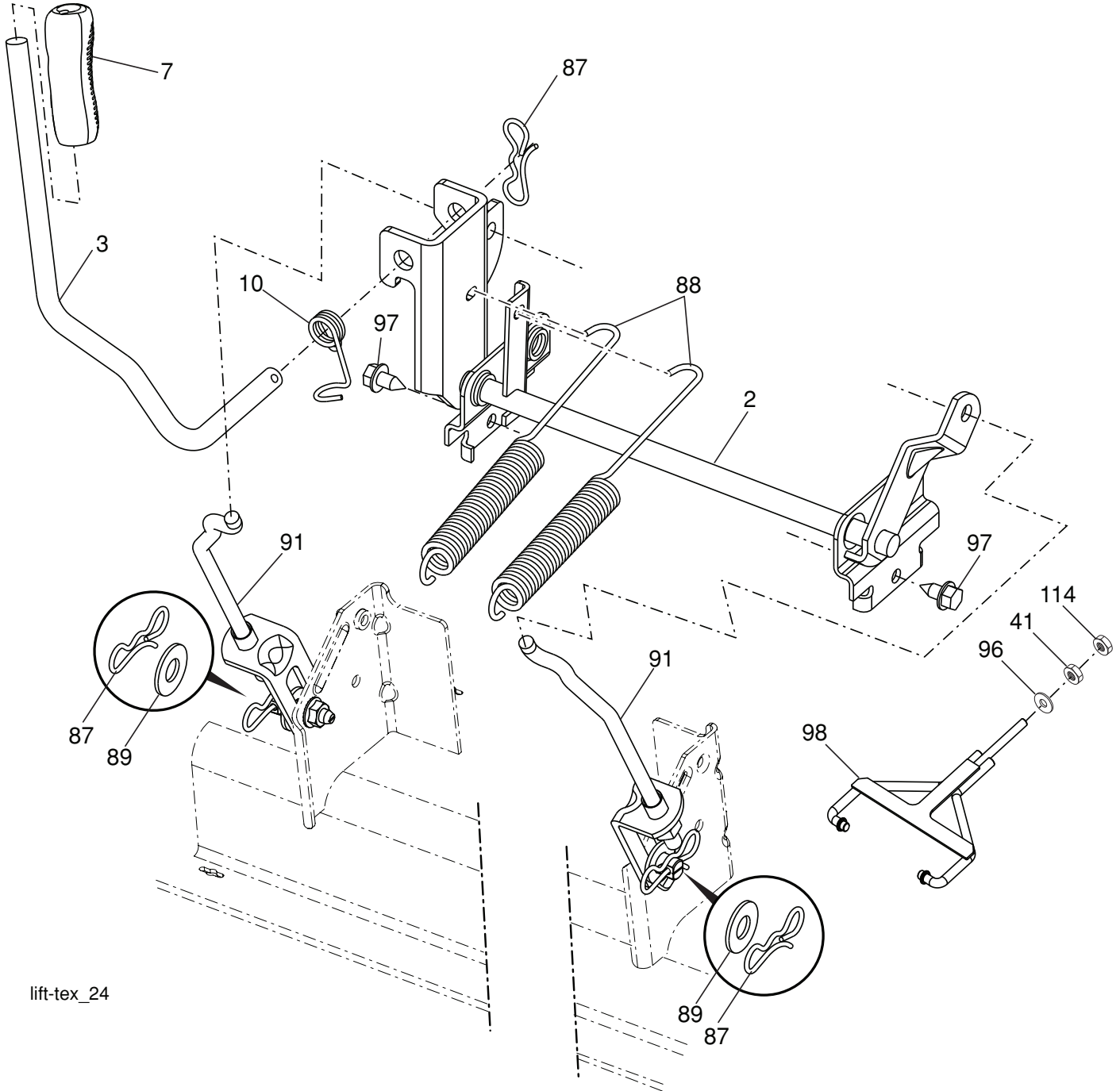
48F_clearcut_elec-Tex_6_r1

**TRACTOR - MODEL NO. TS 348D (96043028400), PRODUCT NO. 960 43 02-84
MOWER DECK**

KEY NO.	PART NO.	DESCRIPTION	KEY NO.	PART NO.	DESCRIPTION
1	583 81 00-01	Kit, Svc. 48FCS. Dckshell. Asm. 668	57	587 35 84-01	Spring Extn.
2	539 13 18-98	Housing Assembly	58	532 11 04-85	Ball Bearing
3	532 18 76-90	Washer-Spacer	61	596 27 44-01	Rod, Anti-Sway, Tex. Clr. Zinc
4	532 17 34-34	Pulley, Mandrel	62	596 13 32-01	Washer, 13/32 x 13/16 x 12 Ga.
5	596 13 48-01	Nut, Hex 9/16-18 x 1.010	63	817 49 04-10	Screw 1/4-20 x 5/8 Hx Self Tap ZD
7	593 64 97-01	Deflector, Asm. 48cc MS668	64	584 95 39-01	BoltHexWasherHead.313-18x1.19
8	587 35 47-01	Spring - Torsion	67	532 19 61-06	Pulley Idler
10	588 81 10-02	Blade	68	596 56 40-03	Bolt, Hex 3/8-16 x 1.78 Clrazinc.
11	532 19 30-03	Bolt Washer Assy 7/16-20	69	532 19 65-39	Bolt Shoulder
15	593 82 40-01	Stud, W/"D" Anti-rotation	70	595 29 70-01	Rod, Hinge
16	539 11 28-99	Nut 5/16-18 Hx Flng NYLOC	71	532 11 04-52	Nut Push
17	532 19 61-04	Pulley, Idler Spec. Hub	73	588 81 24-02	Cover Mandrel RH
18	588 81 22-02	Arm Idler	74	532 13 77-29	Screw Thdrl 1/4-20 x 5/8
19	532 19 31-97	Pulley, Idler	75	588 81 31-02	Cover Mandrel LH
22	589 52 73-01	Wheel, Gauge	76	582 54 11-03	Bumper Side Trim
23	596 43 44-04	Bolt, Shoulder 3/8-16 x 3-5/8	77	582 36 05-01	Bushing Nose Roller
26	588 43 83-01	Screw 7/16-14 x 2.125 Wsh	79	596 13 62-01	Bolt, Cup, Head, 3/8-16 x 3/4
31	873 90 06-00	Nut Lock Flng 3/8-16 unc	80	532 17 01-65	Bolt 5/16
34	532 17 85-15	Washer, Flat Hardened	81	532 10 53-04	Cap Sleeve
36	587 14 05-02	Arm, R. Fixed, Mwr. Suspnsion. Edip	84	596 95 22-01	Plug, Hole, Square
39	596 13 57-01	Nut, Lock, Prvl. Torq. 5/16-18 x .68	--	532 41 64-05	Connect Quick Coupling
40	532 17 60-66	Roller, Nose, 48"			
41	594 09 25-01	Rod, Roller, Narrow, Nose, V2			
42	532 19 42-08	Pin Cotter			
50	532 41 55-98	Washout Port			
53	599 27 57-01	Belt, Deckdrive, 48FCS. Tractor			
54	532 14 10-43	Guard, Belt			
55	596 24 08-01	Bolt, Eyelet, 5/16-18 x 3-1/2			
56	596 03 92-01	Nut, Lock, Hex. 5/16-18 Clear, Zin.			

NOTE: All component dimensions given in U.S. inches
1 inch = 25.4 mm

**TRACTOR - MODEL NO. TS 348D (96043028400), PRODUCT NO. 960 43 02-84
MOWER LIFT**



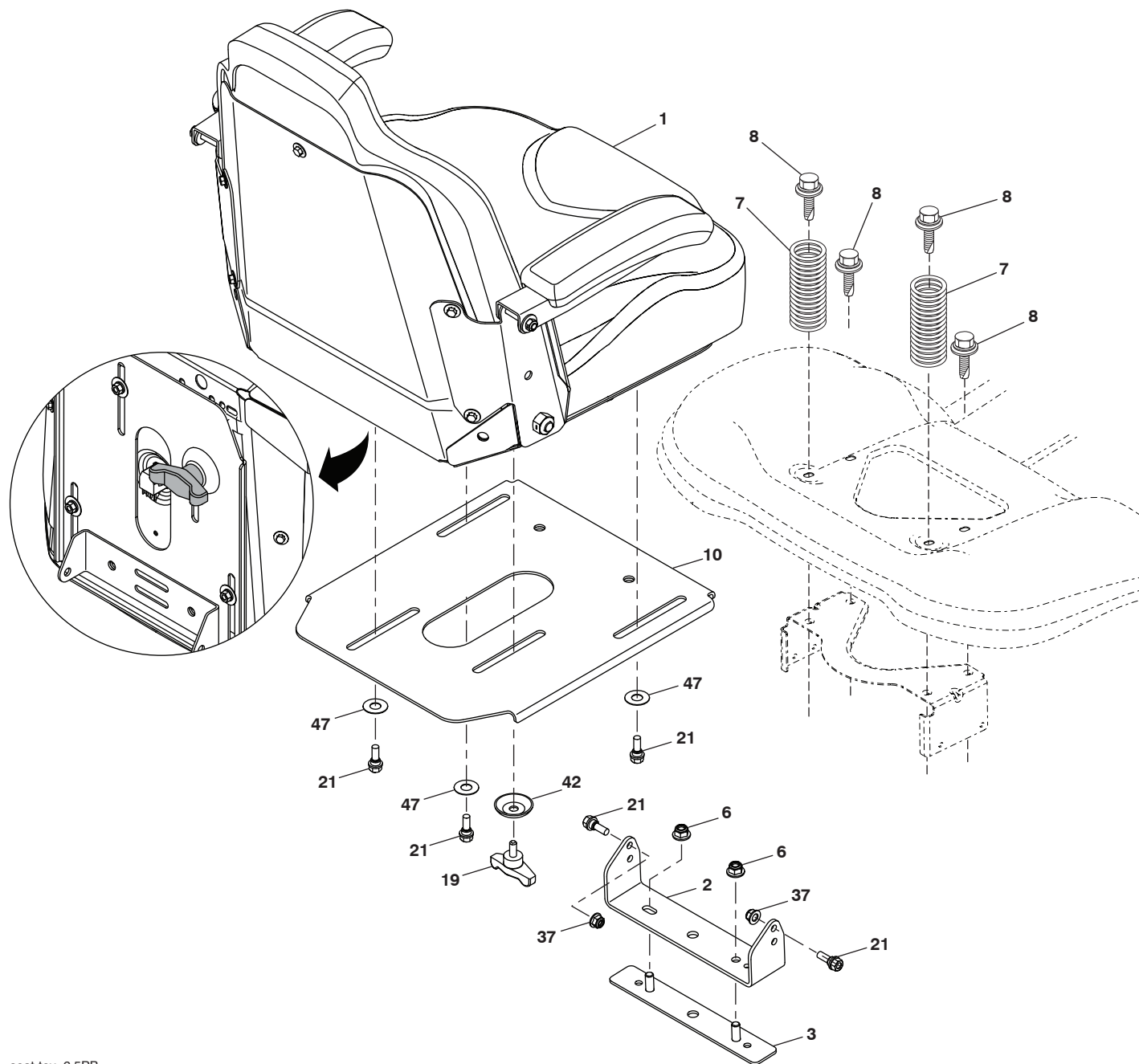
lift-tex_24

KEY NO.	PART NO.	DESCRIPTION
2	532 42 20-27	Shaft Asm., Lift
3	596 27 06-01	Lever, Lift, Handle, Clear, Zinc
7	580 96 23-01	Grip, Lever
10	532 19 63-14	Spring Torsion
41	589 46 49-02	Nut, Lift, Link, Clr. Zn.
87	532 19 42-09	Pin Cotter 7/16 Bow Tie Lock
88	532 19 53-04	Spring Lift Assist
89	819 19 19-12	Washer Clear Zinc
91	589 46 48-05	Link, Asm. Lift, Rear, 10.540 Blue

KEY NO.	PART NO.	DESCRIPTION
96	593 84 21-01	Bushing
97	817 00 06-12	Screw 3/8-16 x .75
98	574 82 25-01	Link Lift Susp. Front Mower
114	873 36 07-00	Nut Jam 7/16-20

NOTE: All component dimensions given in U.S. inches
1 inch = 25.4 mm

TRACTOR - MODEL NO. TS 348D (96043028400), PRODUCT NO. 960 43 02-84 SEAT ASSEMBLY



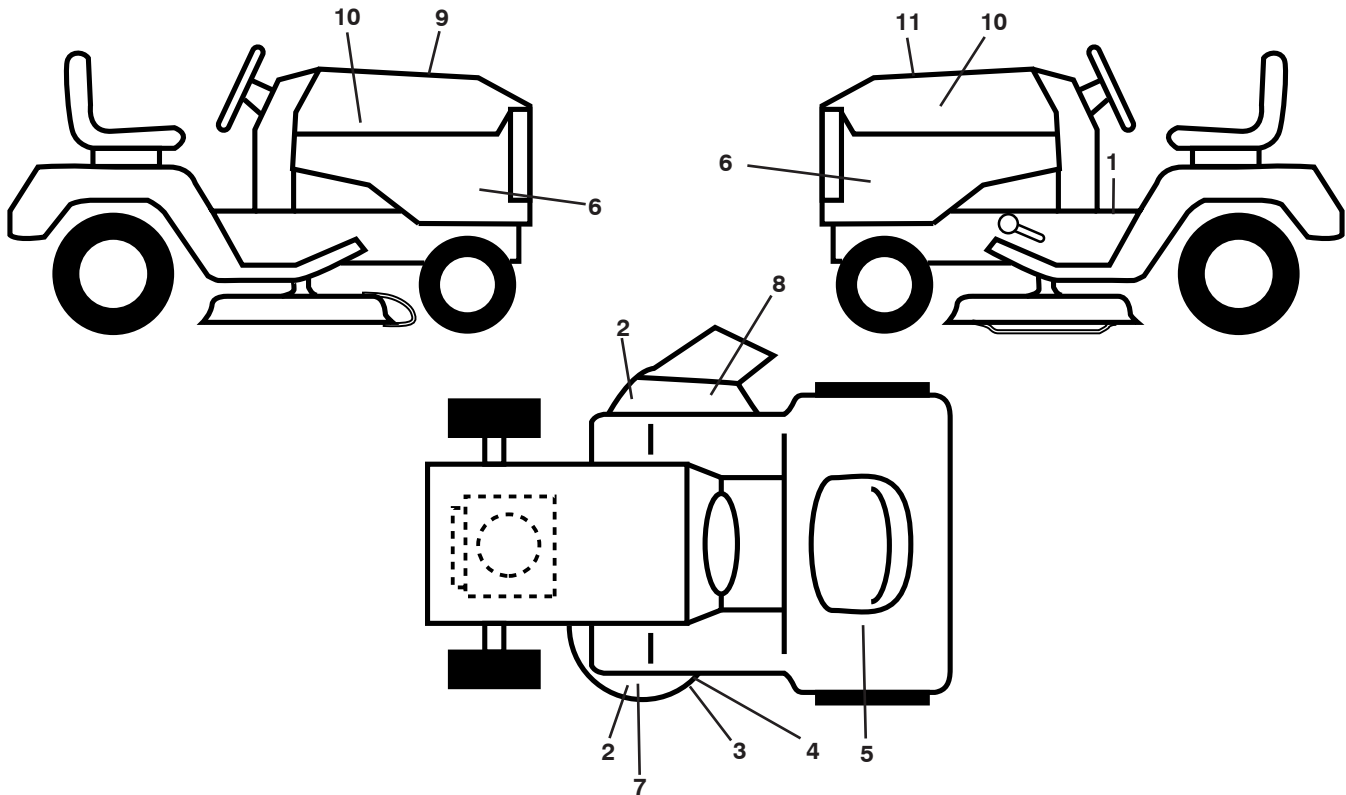
seat-tex_6.5PB

KEY NO.	PART NO.	DESCRIPTION
1	590 33 73-01	Seat
2	590 33 66-02	Bracket Pivot Fender
3	590 77 76-02	Brkt, Asm Fender
6	521 99 65-02	Nut 3/8-16 Hex Fig Nyloc
7	590 81 23-01	Spring, Seat Cprsn
8	532 17 18-77	Bolt 5/16-18 unc x 3/4 w/Sems
10	590 48 17-02	Seat, Plate, Brkt.
19	590 69 15-01	Knob Seat 5/16-18 x 3/4
21	596 23 11-01	Bolt, Hex. Washers, 5/16-18 x .910

KEY NO.	PART NO.	DESCRIPTION
37	539 11 28-99	Nut, Hex 5/16-18 unc
42	532 19 93-71	Washer Cup
47	590 35 11-01	Washer Nylon 50 x 1.12 x 003

NOTE: All component dimensions given in U.S. inches
1 inch = 25.4 mm

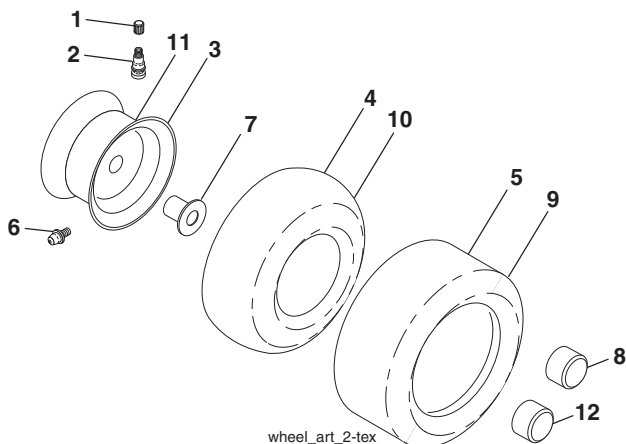
**TRACTOR - MODEL NO. TS 348D (96043028400), PRODUCT NO. 960 43 02-84
DECALS**



KEY NO.	PART NO.	DESCRIPTION
1	581 57 89-01	Decal, Warning
2	589 35 79-01	Decal, No Step
3	581 58 00-02	Decal, Mower Sch.
4	592 89 83-01	Decal, Warranty
5	587 01 51-01	Decal, Warning Reserve
6	593 12 46-01	Decal, Panel Side
7	590 88 50-01	Decal, Deck Clearcut
8	586 97 88-01	Decal, Deflect. Warning
9	532 42 38-29	Decal, Cust. Resp.
10	581 62 73-01	Decal, Hood Logo
11	593 09 74-01	Decal, Replacement

KEY NO.	PART NO.	DESCRIPTION
--	581 57 90-01	Decal, Fender Warning
--	586 74 22-01	Decal, Reserve Fuel
--	581 72 48-01	Decal, Bypass
--	532 43 98-82	Pad, Footrest, LH
--	532 43 98-81	Pad, Footrest, RH
--	115 97 41-49	Manual, Operator's (English/Spanish)
--	115 97 43-32	Manual, Operator's (French)
--	115 97 42-49	Manual, Part's (English/Spanish)
--	115 97 44-32	Manual, Part's (French)
--	587 71 00-26	Manual, QSG Husq (English/Spanish)
--	587 71 01-26	Manual, QSG Husq (English/French)

WHEELS AND TIRES

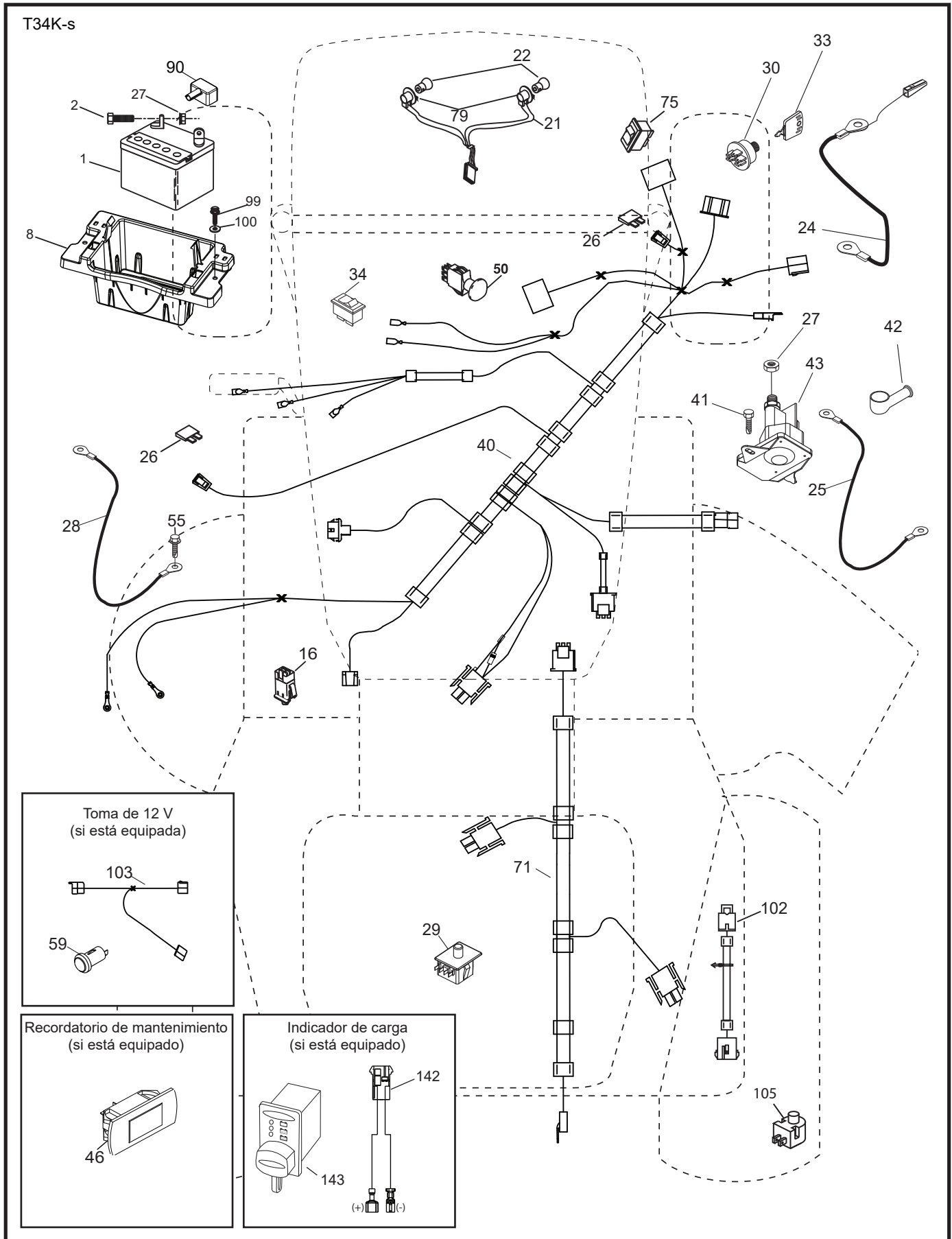


KEY NO.	PART NO.	DESCRIPTION
1	532 05 91-92	Cap, Valve, Tire
2	532 06 51-39	Stem, Valve
3	532 18 18-39	Rim Assembly, Front
4	532 00 81-34	Tube, Front (Service Item Only)
5	532 10 62-30	Tire, Front 16 x 6.5
6	532 00 02-78	Fitting, Grease
7	532 00 90-40	Bearing, Flange
8	532 17 50-39	Cap, Axle, Front
9	532 10 55-88	Tire, Rear 23 x 10.5-12
10	532 00 71-54	Tube, Rear (Service Item Only)
11	532 14 45-10	Rim Assembly, Rear
12	501 50 31-01	Cap, Hub, GT, PM, Black, Rear
--	532 14 43-34	Sealant, Tire (10 oz. Tube)

NOTE: All component dimensions given in U.S. inches
1 inch = 25.4 mm

TRACTOR MODELO NO. TS 348D (96043028400), PRODUCTO NO. 960 43 02-84

DIAGRAMA ELÉCTRICO

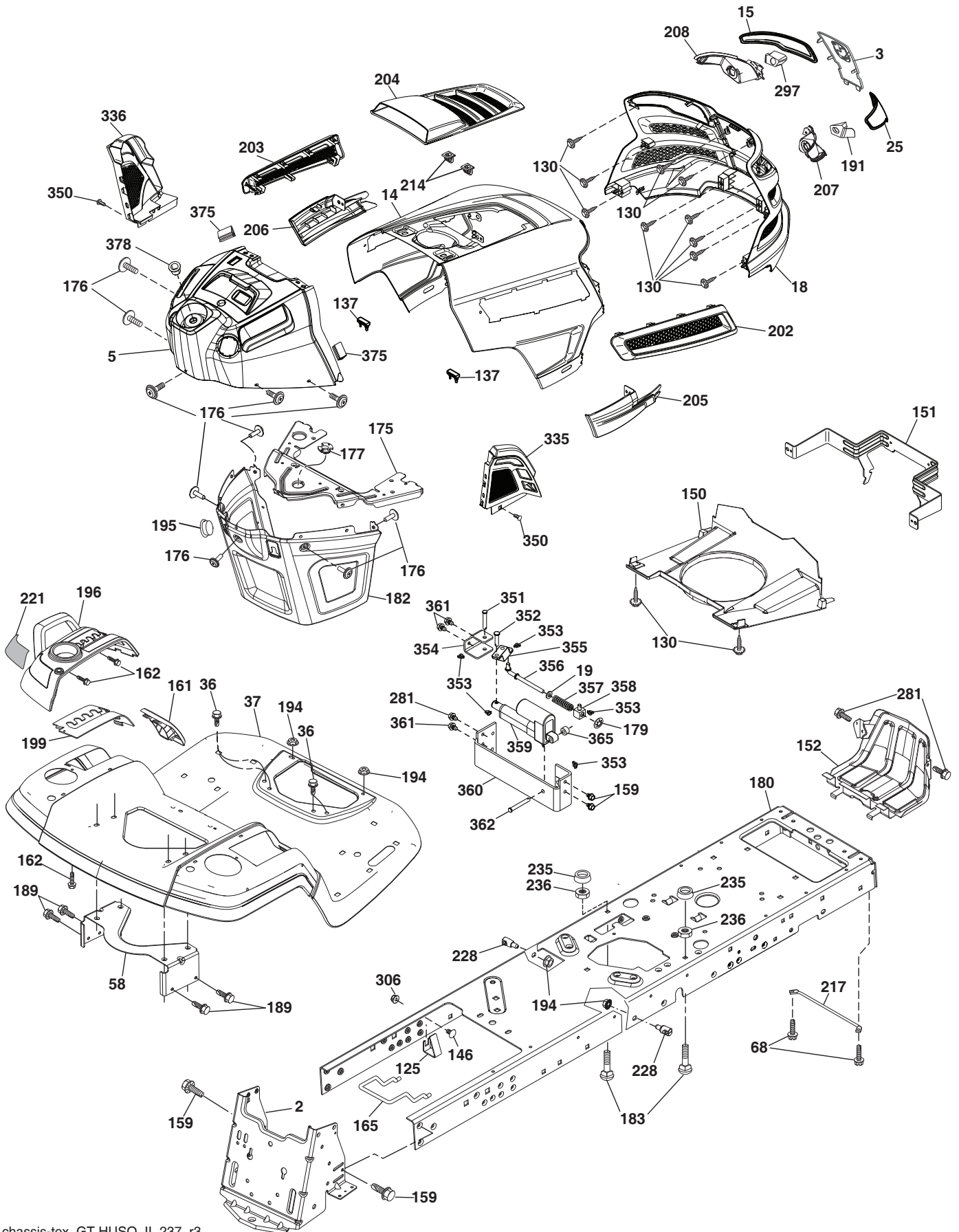


**TRACTOR MODELO NO. TS 348D (96043028400), PRODUCTO NO. 960 43 02-84
DIAGRAMA ELÉCTRICO**

CÓDIGO No.	PIEZA No.	DESCRIPCIÓN
1	532 16 34-65	Batería
2	874 76 04-12	Perno de cabeza hexagonal de 1/4-20 x 3/4
8	587 20 51-01	Caja de la batería
16	532 17 61-38	Interruptor corta corriente a presión
21	532 40 02-52	Cableado del enchufe para la luz
22	532 00 41-52	Bombilla de luz
24	585 55 56-01	Cable
25	585 55 55-01	Cable
26	532 17 51-58	Fusible
27	596 13 36-01	Tuerca de presión de 1/4-20
28	532 41 65-88	Cable a tierra
29	532 19 27-49	Interruptor del asiento
30	532 19 33-50	Interruptor de encendido
33	532 41 19-35	Llave/cadena
34	532 11 07-12	Interruptor de luz/de restauración
40	580 72 35-02	Cableado de encendido
41	817 72 04-08	Tornillo
42	532 13 15-63	Cubierta de la terminal
43	582 04 28-02	Solenoides
46	594 91 91-01	Indicador de con contador horario
50	582 10 76-02	Interruptor
55	817 06 05-12	Tornillo de 5/16-18 x 3/4
71	580 51 30-01	Cableado de encendido, chasis
75	580 36 64-01	Bloqueo de diferencial de encendido / apagado
79	532 17 52-42	Enchufe de cierre por torsión del ensamble de la bombilla
90	532 43 53-95	Tapa de los bornes de la batería
99	817 67 04-12	Tornillo 1/4-20 x 3/4
100	596 13 53-01	Arandela de 9/32 x 7/8
102	532 40 44-54	Cableado coleta
105	532 40 75-68	Interruptor inverso

NOTA: Las dimensiones de todos los componentes están expresadas en pulgadas americanas. 1 pulgada = 25,4 mm

**TRACTOR MODELO NO. TS 348D (96043028400), PRODUCTO NO. 960 43 02-84
CHASIS**

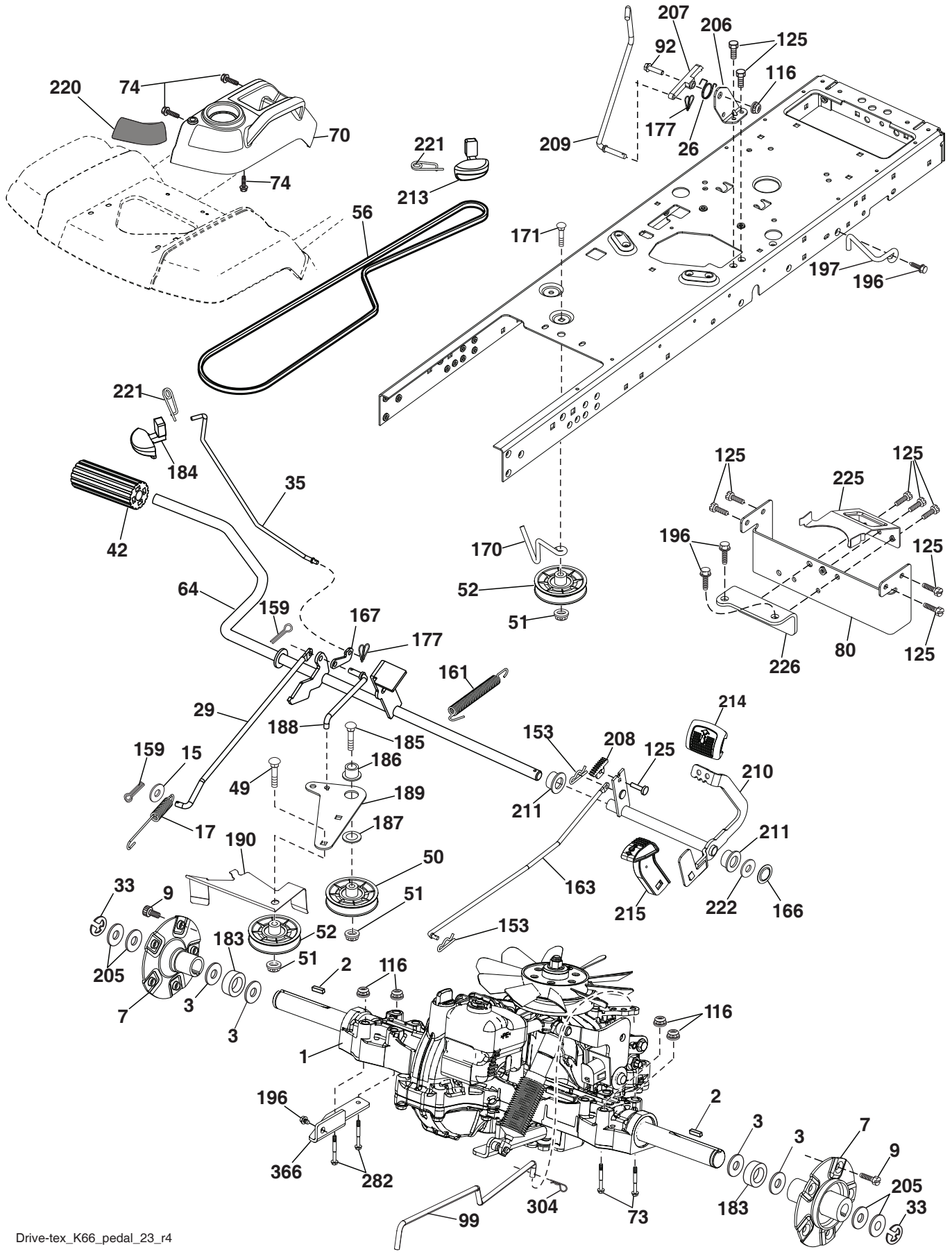


**TRACTOR MODELO NO. TS 348D (96043028400), PRODUCTO NO. 960 43 02-84
CHASIS**

CÓDIGO No.	PIEZA No.	DESCRIPCIÓN	CÓDIGO No.	PIEZA No.	DESCRIPCIÓN
2	580 43 44-01	Barra de tracción	204	587 48 58-01	Salida de Ventilación superior
3	532 44 44-81	Aplica Submontaje	205	532 43 97-30	Camisa de Capota (LD)
5	590 74 88-14	Tablero	206	532 43 97-29	Camisa de Capota (LI)
14	532 44 11-77	Capota	207	587 46 48-01	Bisel derecho
15	532 43 97-33	Lente izquierdo de la parrilla	208	587 46 45-01	Bisel izquierdo
18	597 24 72-01	Parrilla	214	532 19 91-45	Cierre
19	596 13 32-01	Arandela de 13/32 x 13/16 x 12 Calibre	217	532 40 91-67	Varilla giratoria
25	532 44 33-85	Lente derecho de la parrilla	218	532 19 63-95	Tope
36	817 06 05-12	Tornillo de 5/16-18 x 3/4	221	532 19 89-09	Reflector (LI)
37	532 44 12-08	Guardabarros	228	593 82 40-01	Perno prisionero con anti rotación
58	532 19 43-14	Soporte de Guardabarros	235	596 56 42-01	Separador del guardabarros
68	596 03 07-01	Tornillo de 5/16-18 x 1/2	236	873 93 05-00	Tuerca de presión 5/16-18 unc
125	581 68 48-01	Soporte	281	817 00 06-16	Tornillo de 3/8-16 x 1
130	596 32 17-01	Tornillo de #10 x 0.750	297	532 43 74-56	Parte movable reflexivo (LI)
137	532 40 75-90	Cubierta Tablero	306	873 90 06-00	Tuerca
146	581 85 79-01	Perno	335	532 44 82-04	Cubierta (LD)
150	532 43 97-74	Cubierta	336	532 44 53-09	Cubierta (LI)
151	532 43 66-70	Soporte de Capota	350	532 44 51-43	Cierre del árbol de navidad
152	532 43 98-70	Protector contra oscurecimiento	351	532 42 17-34	Clavija de horquilla .375 x 2.125
159	817 00 06-12	Tornillo 3/8-16 x 3/4	352	532 44 86-34	Clavija .375 x 2.125
161	532 43 99-29	Ventanilla de combustible	353	532 17 80-62	Pinzas de retención .0375
162	596 13 41-01	Tornillo de 1/4-15 x 1/2	354	593 19 69-01	Soporte
165	532 19 43-30	Soporte de Tanque de Gasolina	355	532 44 86-36	Mecanismo
175	590 60 77-02	Travesaño	356	532 44 86-93	Acoplamiento
176	532 40 07-76	Tornillo de 10-24 x 5/8	357	532 44 86-84	Resorte
177	532 19 52-28	Buje de dirección	358	580 36 66-01	Guía
179	532 16 89-37	Tuerca de presión	359	584 39 34-01	Accionador
180	593 34 63-01	Chasis	360	532 44 86-18	Soporte del accionador
182	532 40 68-59	Tablero inferior	361	596 56 40-02	Perno de 3/8-16 x 0.655
183	595 30 57-01	Tornillo de 5/16-18 x 1-1/4	362	532 44 86-33	Clavija .375 x 2.42
189	817 00 05-12	Tornillo	365	532 44 73-68	Separador .375 x .4375L
191	532 43 74-55	Parte movable reflexivo (LD)	375	586 90 82-01	Cubierta Capota
194	596 13 57-01	Tuerca de presión de 5/16-18 x .68	378	590 84 98-01	Buje
195	532 40 41-37	Tapón	--	597 33 48-01	Parachoque
196	532 43 96-74	Ensamble de la consola de la plata- forma de elevación			
199	532 19 82-59	Chapa			
202	532 43 97-28	Salida de Ventilación (LD)			
203	532 43 97-27	Salida de Ventilación (LI)			

NOTA: Las dimensiones de todos los componentes están expresadas en pulgadas americanas. 1 pulgada = 25,4 mm

TRACTOR MODELO NO. TS 348D (96043028400), PRODUCTO NO. 960 43 02-84
TRANSMISIÓN



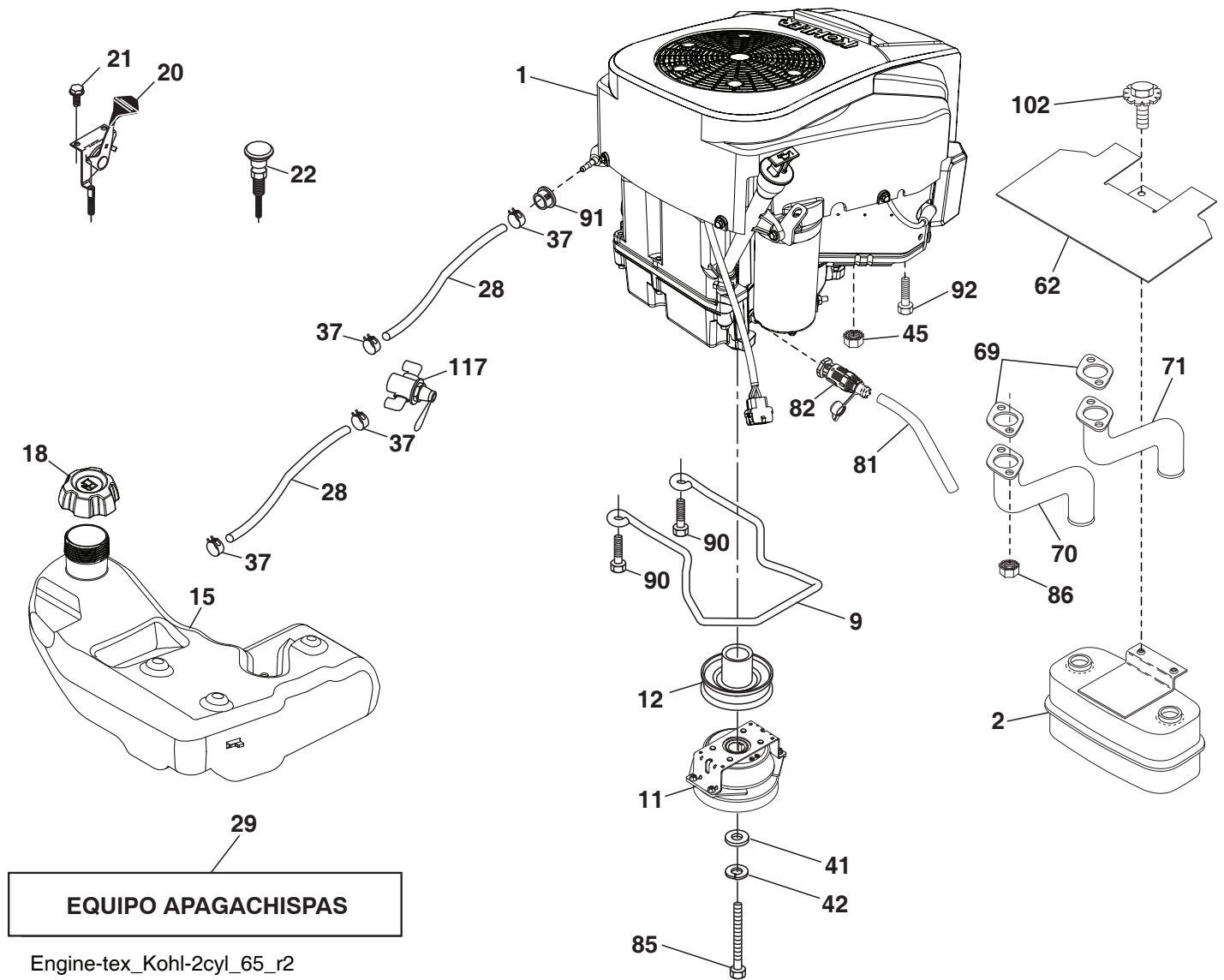
TRACTOR MODELO NO. TS 348D (96043028400), PRODUCTO NO. 960 43 02-84

TRANSMISIÓN

CÓDIGO No.	PIEZA No.	DESCRIPCIÓN	CÓDIGO No.	PIEZA No.	DESCRIPCIÓN
1	-----	Transeje, Tufftorq K66ELD (580402201) (Haga el pedido de las piezas al fabricante del transeje.)	183	587 58 74-01	Espaciador, 1.000 ID. x 1.75
2	539 91 27-57	Cuña .25 x 1.25	184	587 65 37-01	Manija del freno de mano
3	532 00 75-63	Arandela	185	872 11 06-22	Perno 3/8-16 unc x 2-3/4 grado 5
7	586 93 54-02	Ruede eje la asamblea	186	532 19 43-21	Espaciador de retención
9	596 21 87-01	Perno 7/16-14 x 1-3/8"	187	596 13 55-01	Arandela de 13/32 x 2
15	819 13 13-16	Arandela 13/32 x 13/16 x calibre 16	188	582 21 70-01	Mecanismo de desplazamiento de la varilla de mando del embrague
17	532 40 10-72	Resorte de freno	189	532 19 43-17	Palanca acodada del mecanismo de desplazamiento
26	532 19 96-79	Crucero con retorno de muelle	190	532 19 43-18	Sujetador de la palanca acodada del mecanismo de desplazamiento
29	532 40 72-45	Varilla del freno	196	817 00 06-16	Tornillo 3/8-16 x 1
33	812 00 00-53	Aro "E"	197	585 65 86-02	Soporte
35	590 60 59-02	Varilla del freno de mano	205	532 12 38-00	Arandela 1-1/32 x 1-5/8 x calibre 16
42	532 00 88-83	Cubierta del pedal	206	532 44 85-96	Soporte
49	596 13 62-01	Perno de 3/8-16 x 3/4	207	587 03 14-02	Bloqueo del control del crucero
50	532 19 43-27	Polea loca plana	208	596 56 41-01	Engranaje
51	873 90 06-00	Tuerca 3/8-16	209	590 52 78-02	Varilla de control del crucero
52	532 19 43-26	Polea loca con ranura en V con un desplazamiento	210	532 19 78-60	Ensamble del balancín del control del pedal
56	592 85 53-01	Correa trapezoidal de la transmisión	211	532 12 01-83	Rodamiento de nylon
64	532 19 78-65	Ensamble del eje control del pedal de freno	213	532 40 31-19	Perilla de control del crucero
70	532 43 96-61	Ensamble del console	214	532 42 12-63	Forro del pedal para avanzar
73	595 31 66-01	Perno de 5/16-18 Calibre 5	215	586 60 65-02	Forro del pedal para retroceder
74	596 13 41-01	Tornillo de 1/4-15 x 1/2	220	532 19 89-08	Reflector (LD)
80	589 33 34-02	Correa de torsión	221	532 40 31-87	Abrazadera de retención del resorte de la manija
92	595 30 57-01	Tornillo de 5/16-18 x 1-1/4	222	879 21 20-10	Arandela 21/32 x 1-1/4 x calibre 10
99	582 40 47-01	Resorte	225	532 40 73-11	Sujetador de la correa
116	596 13 57-01	Tuerca de 5/16-18 x .68	226	532 40 71-09	Soporte de montaje
125	817 00 05-12	Tornillo 5/16-18 x 3/4	282	874 49 05-48	Perno 5/16-18 x 3.0 Gr 5
153	532 00 44-97	Retén del resorte de 1"	304	532 42 33-03	Pasador de chaveta .059 X 1.125
159	596 02 95-01	Pasador de chaveta de 1/8 x 3/4	366	592 87 80-02	Soporte
161	532 10 57-09	Resorte de retorno del embrague			
163	532 40 72-46	Varilla de control del pedal			
166	532 42 91-64	Tuerca .625			
167	532 40 52-57	Pestillo del freno de mano			
170	532 19 43-22	Sujetador de la correa			
171	596 13 63-01	Perno de 3/8-16 x 2			
177	587 22 53-01	Abrazadera de retención 1 ln.			

NOTA: Las dimensiones de todos los componentes están expresadas en pulgadas americanas. 1 pulgada = 25,4 mm

TRACTOR MODELO NO. TS 348D (96043028400), PRODUCTO NO. 960 43 02-84
MOTOR



**TRACTOR MODELO NO. TS 348D (96043028400), PRODUCTO NO. 960 43 02-84
MOTOR**

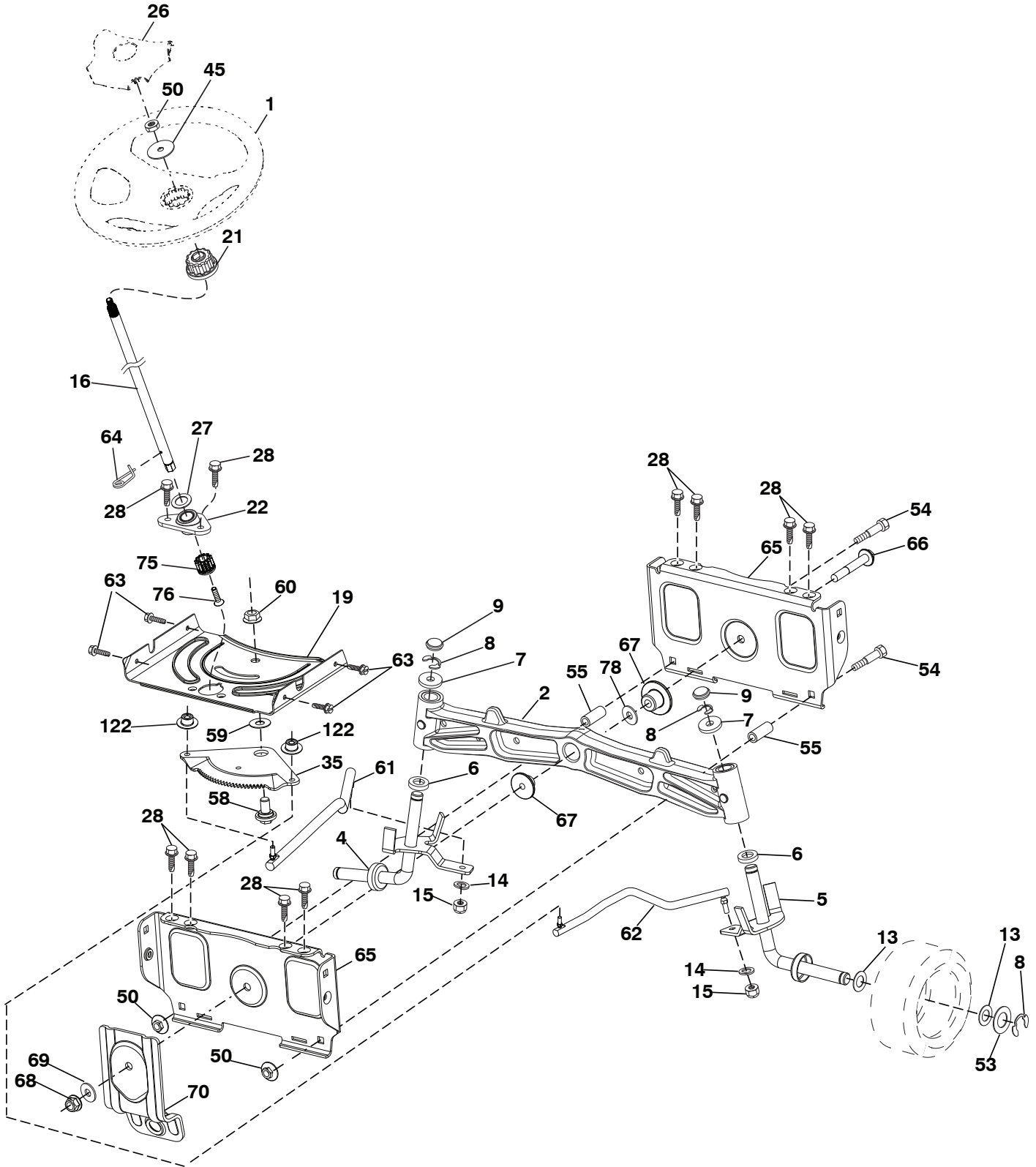
CÓDIGO No.	PIEZA No.	DESCRIPCIÓN
1	---	Motor Kohl modelo No. KT735 (587959801) (Haga el pedido de las piezas al fabricante del motor.)
2	589 81 87-01	Silenciador
9	501 83 26-02	Ensamble del sujetador de la correa del motor
11	587 24 14-01	Embrague
12	532 19 43-43	Polea del motor
15	532 43 80-30	Tanque de combustible 4 Galón
18	585 12 48-01	Ensamble de la tapa
20	532 18 29-37	Control del regulador
21	596 32 17-01	Tornillo de #10 x 0.750
22	532 19 15-96	Control del obturador
28	532 40 11-35	Línea de combustible
29	532 13 71-80	Equipo apagachispas
37	532 12 34-87	Abrazadera de la manguera
41	532 12 61-97	Arandela 1-1/2 OD x 15/32 ID x .250
42	596 23 89-01	Arandela de 7/16"
45	596 13 36-01	Tuerca de presión de 1/4-20
62	532 43 40-17	Protector
69	532 18 60-54	Junta
70	583 95 45-01	Silenciador /Tubo LI
71	583 95 48-01	Silenciador /Tubo LD
81	532 14 84-56	Tubo de fácil drenaje de aceite
82	532 42 82-87	Conector del drenaje de aceite
85	501 60 69-01	Perno de 7/16-20 x 3.0 calibre 5
86	532 18 43-62	Tuerca brida hexagonal
90	817 00 06-16	Tornillo 3/8-16 x 1
91	532 18 74-95	Buje
92	817 12 06-16	Tornillo 3/8-16 x 1
102	817 00 05-12	Tornillo 5/16-18 x 3/4
117	532 42 08-28	válvula de la reserva del combustible

NOTA: Las dimensiones de todos los componentes están expresadas en pulgadas americanas. 1 pulgada = 25,4 mm

Para realizar el mantenimiento del motor y para obtener repuestos, llame al número gratuito del fabricante de su motor que se enumera a continuación:

Kohler Co. 1-800-544-2444

TRACTOR MODELO NO. TS 348D (96043028400), PRODUCTO NO. 960 43 02-84
ENSAMBLE DE LA DIRECCIÓN



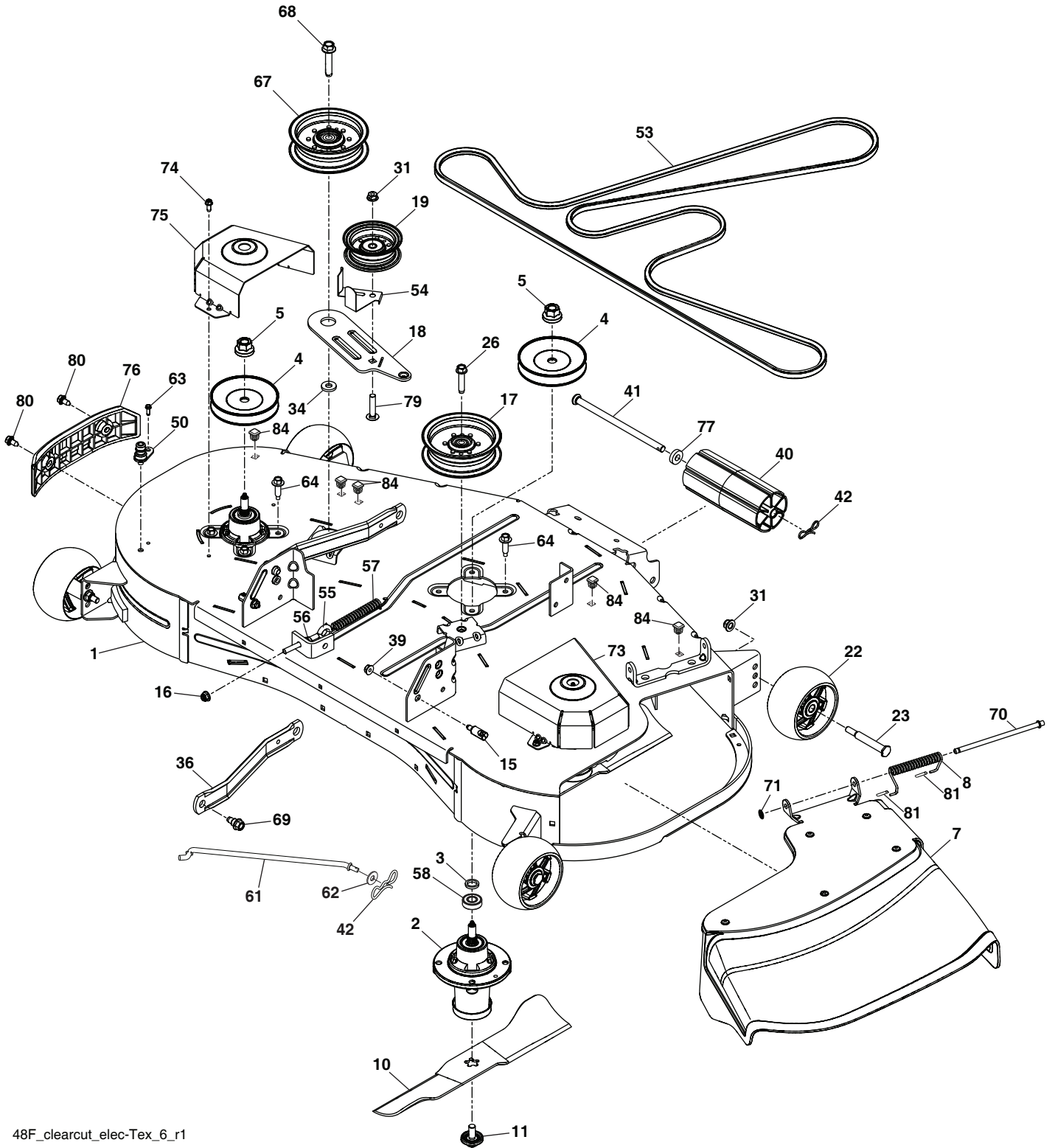
steering-tex_HUSQSR_70

**TRACTOR MODELO NO. TS 348D (96043028400), PRODUCTO NO. 960 43 02-84
ENSAMBLE DE LA DIRECCIÓN**

CÓDIGO No.	PIEZA No.	DESCRIPCIÓN
1	532 43 97-40	Volante de dirección
2	532 19 59-68	Ensamble del eje delantero
4	532 40 30-89	Ensamble del husillo izquierdo
5	532 40 30-90	Ensamble del husillo derecho
6	532 00 62-66	Arandela de .75 x 1.230
7	532 12 17-48	Arandela de 25/32 x 1-5/8 calibre 16
8	812 00 00-29	Abrazadera del aro No. T5304-75
9	532 12 12-32	Tapa del husillo
13	532 12 17-49	Arandela de 25/32 x 1-1/4 calibre 16
14	596 23 87-01	Arandela de .381 x .680
15	873 54 06-00	Tuerca de 3/8-24 unf
16	587 01 60-02	Eje de dirección
19	532 19 47-29	Placa de dirección
21	586 84 02-01	Adaptador del volante de dirección
22	585 02 99-01	Rodamiento
26	532 43 97-43	Inserto del volante de dirección
27	596 93 34-01	Arandela
28	817 00 06-12	Tornillo de 3/8-16 x 3/4
35	532 19 47-32	Engranaje del sector de la placa
45	587 01 64-01	Arandela 3/8 ID 2-3/8 OD calibre 12 PLTD
50	873 90 06-00	Tuerca 3/8-16 unc
53	532 18 89-67	Arandela reforzada de, 793 x 1,637 x 0,060
54	874 76 06-36	Tornillo 3/8-16 unc x 2-1/4
55	532 41 47-36	Tornillo 3/8-16 unc x 2-1/4
58	532 19 47-47	Perno de tope del sector del pivote CFM
59	532 19 47-48	Arandela de empuje del sector de dirección
60	873 97 10-00	Tuerca de 5/8-11
61	597 07 02-02	Barra de acoplamiento izquierda
62	597 07 03-02	Barra de acoplamiento derecha
63	817 00 05-12	Tornillo de 5/16-18 x 3/4
64	532 19 98-49	Abrazadera de retención del resorte de la dirección
65	532 19 47-34	Apoyo del árbol delantero
66	871 02 07-48	Perno de cabeza hexagonal con brida acanalada de 7/16-14 x 3
67	532 19 47-37	Buje PM del eje delantero
68	873 90 07-00	Tuerca de 7/16-14 grado 5
69	532 19 91-62	Arandela de 1,5 x 0,505 x 0,118
70	585 33 88-01	Soporte de la plataforma delantera
75	580 68 37-01	Piñón
76	580 68 36-01	Tornillo
78	532 05 70-79	Tuerca
122	532 44 49-62	Tapa

NOTA: Las dimensiones de todos los componentes están expresadas en pulgadas americanas. 1 pulgada = 25,4 mm

TRACTOR MODELO NO. TS 348D (96043028400), PRODUCTO NO. 960 43 02-84
PLATAFORMA DE LA CORTADORA DE CÉSPED



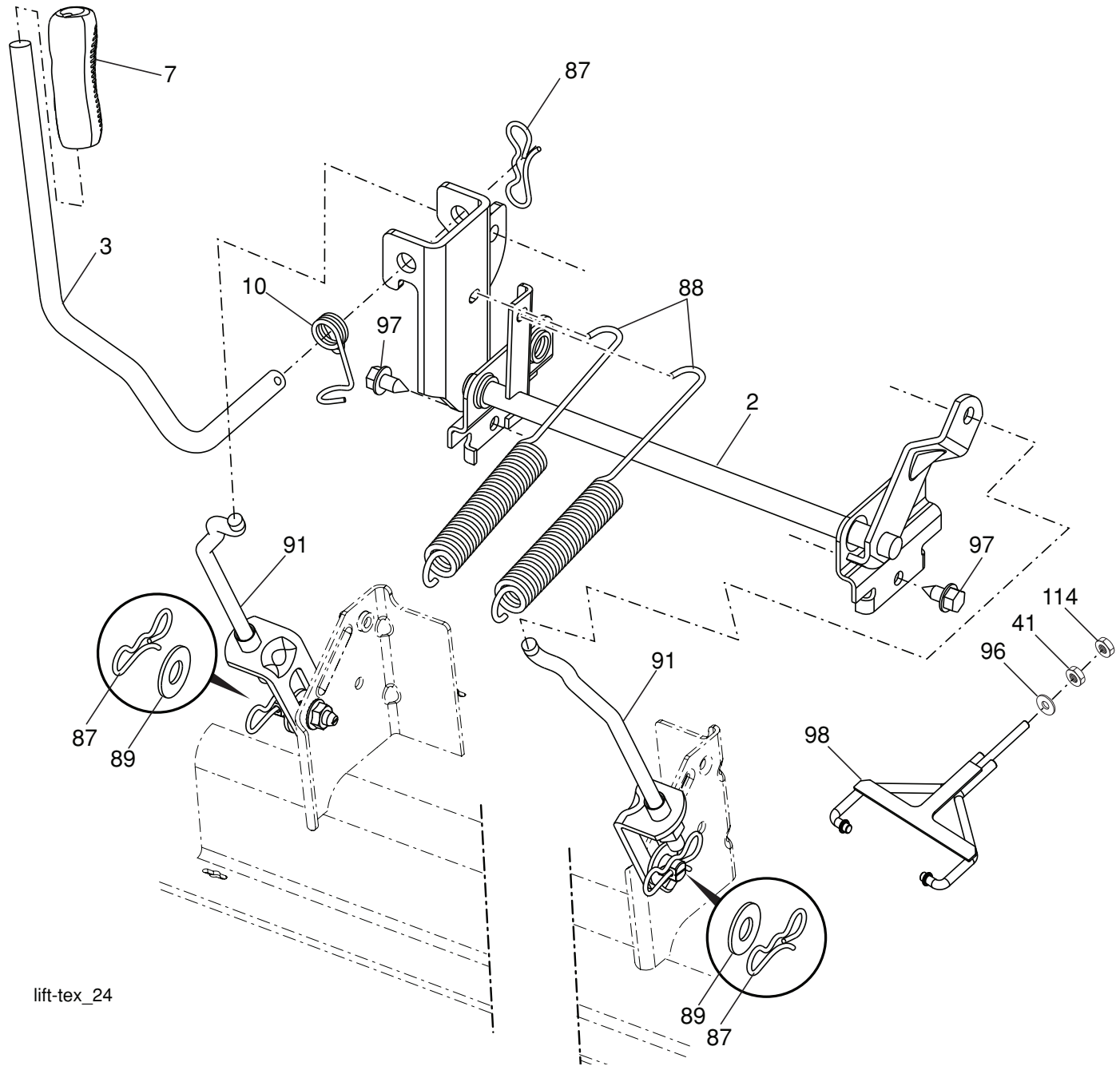
48F_clearcut_elec-Tex_6_r1

**TRACTOR MODELO NO. TS 348D (96043028400), PRODUCTO NO. 960 43 02-84
PLATAFORMA DE LA CORTADORA DE CÉSPED**

CÓDIGO No.	PIEZA No.	DESCRIPCIÓN	CÓDIGO No.	PIEZA No.	DESCRIPCIÓN
1	583 81 00-01	Equipo de Carcasa de la cortadora de césped	57	587 35 84-01	Resorte
2	539 13 18-98	Ensamble de la cubierta	58	532 11 04-85	Rodamiento de bolitas
3	532 18 76-90	Arandela	61	596 27 44-01	Barra Antibalanceo
4	532 17 34-34	Polea	62	596 13 32-01	Arandela de 13/32 x 13/16 x 12 Calibre
5	596 13 48-01	Tuerca de 9/16-18 x 1.010	63	817 49 04-10	Tornillo 1/4-20 x 5/8
7	593 64 97-01	Protector del deflector	64	584 95 39-01	Perno .313-18 x 1.19
8	587 35 47-01	Resorte - torsión	67	532 19 61-06	Polea
10	588 81 10-02	Cuchilla	68	596 56 40-03	Perno de 3/8-16 x 1.78
11	532 19 30-03	Perno, 7/16-20	69	532 19 65-39	Perno
15	593 82 40-01	Perno prisionero con anti rotación	70	595 29 70-01	Varilla de la bisagra
16	539 11 28-99	Tuerca	71	532 11 04-52	Tuerca
17	532 19 61-04	Polea más ociosa	73	588 81 24-02	Cubierta del mandril lado derecho
18	588 81 22-02	Brazo más ocioso	74	532 13 77-29	Tornillo 1/4-20 x 5/8
19	532 19 31-97	Polea más ociosa	75	588 81 31-02	Cubierta del mandril lado izquierdo
22	589 52 73-01	Rueda, calibrador	76	582 54 11-03	Guarnición
23	596 43 44-04	Perno de 3/8-16 x 3-5/8	77	582 36 05-01	Buje
26	588 43 83-01	Tornillo 7/16-14 x 2.125	79	596 13 62-01	Perno de 3/8-16 x 3/4
31	873 90 06-00	Tuerca 3/8-16	80	532 17 01-65	Perno 5/16
34	532 17 85-15	Arandela	81	532 10 53-04	Tapa
36	587 14 05-02	Suspensión posterior del brazo	84	596 95 22-01	Enchufe cuadrado
39	596 13 57-01	Tuerca de presión de 5/16-18 x .68	--	532 41 64-05	Accesorio del conexión
40	532 17 60-66	Rodillo de la nariz			
41	594 09 25-01	Varilla de rodillo estrecho			
42	532 19 42-08	Pasador de chaveta			
50	532 41 55-98	Puerto del derrubio			
53	599 27 57-01	Correa del tractor 48 FCS			
54	532 14 10-43	Protector, correa			
55	596 24 08-01	Perno de argolla 5/16 x 3-1/2			
56	596 03 92-01	Tuerca de presión de 5/16-18			

NOTA: Las dimensiones de todos los componentes están expresadas en pulgadas americanas. 1 pulgada = 25,4 mm

TRACTOR MODELO NO. TS 348D (96043028400), PRODUCTO NO. 960 43 02-84
ELEVACIÓN DE LA CORTADORA DE CÉSPED



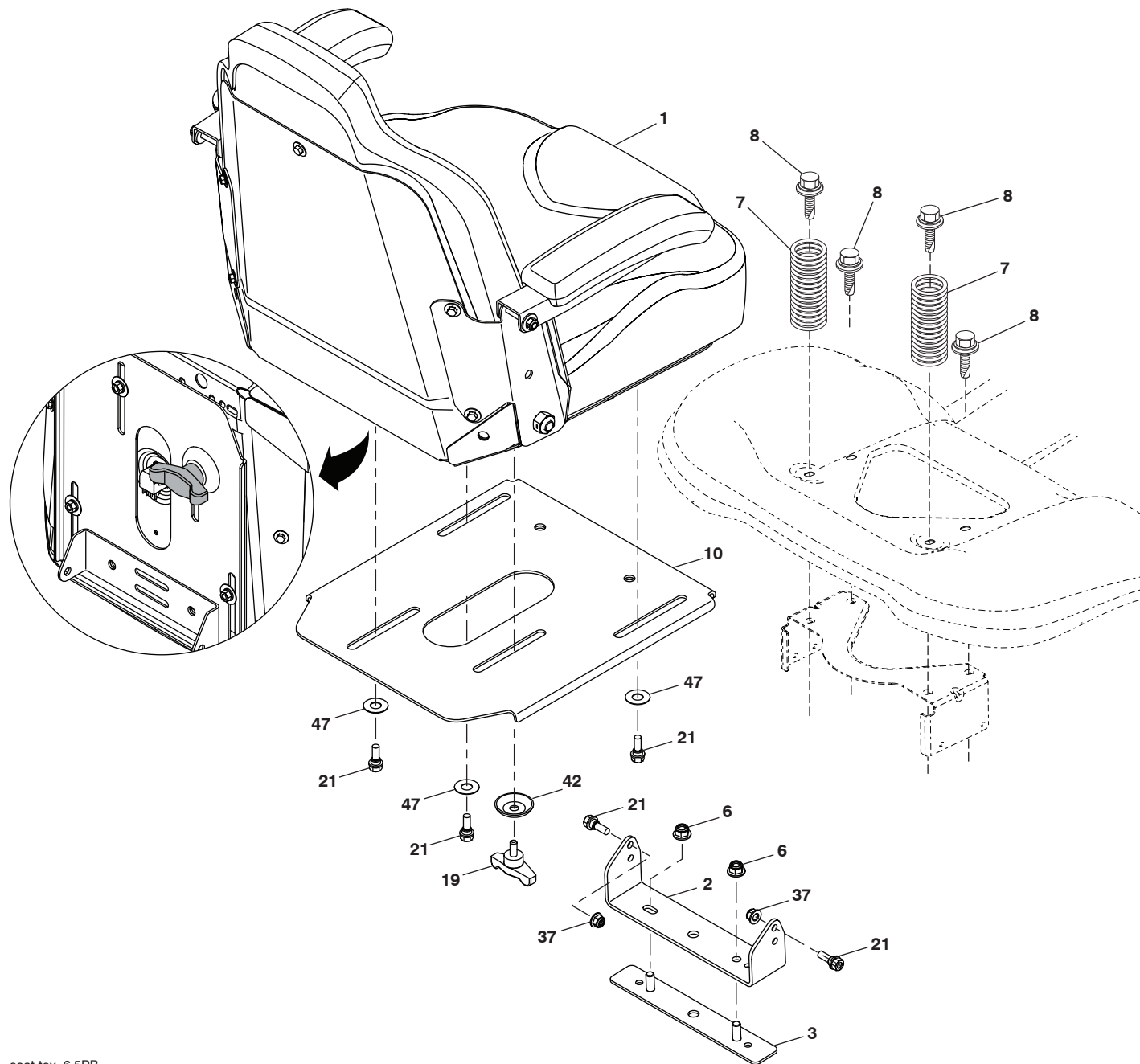
lift-tex_24

CÓDIGO No.	PIEZA No.	DESCRIPCIÓN
2	532 42 20-27	Ensamble del eje de la elevación
3	596 27 06-01	Ensamble de la palanca de elevación
7	580 96 23-01	Mango de la palanca
10	532 19 63-14	Resorte de torsión
41	589 46 49-02	Tuerca
87	532 19 42-09	Pasador de chaveta de 7/16 con bloqueo en forma de mariposa
88	532 19 53-04	Resorte de ayuda de la elevación
89	819 19 19-12	Arandela de zinc transparente
91	589 46 48-05	Levier de levage Arrière 10.540.

CÓDIGO No.	PIEZA No.	DESCRIPCIÓN
96	593 84 21-01	Buje trasera
97	817 00 06-12	Tornillo de 3/8-16 x 0,75
98	574 82 25-01	Acoplamiento frontal de la elevación de la cortadora de césped
114	873 36 07-00	Tuerca 7/16-20

NOTA: Las dimensiones de todos los componentes están expresadas en pulgadas americanas. 1 pulgada = 25,4 mm

**TRACTOR MODELO NO. TS 348D (96043028400), PRODUCTO NO. 960 43 02-84
ENSAMBLE DEL ASIENTO**



seat-tex_6.5PB

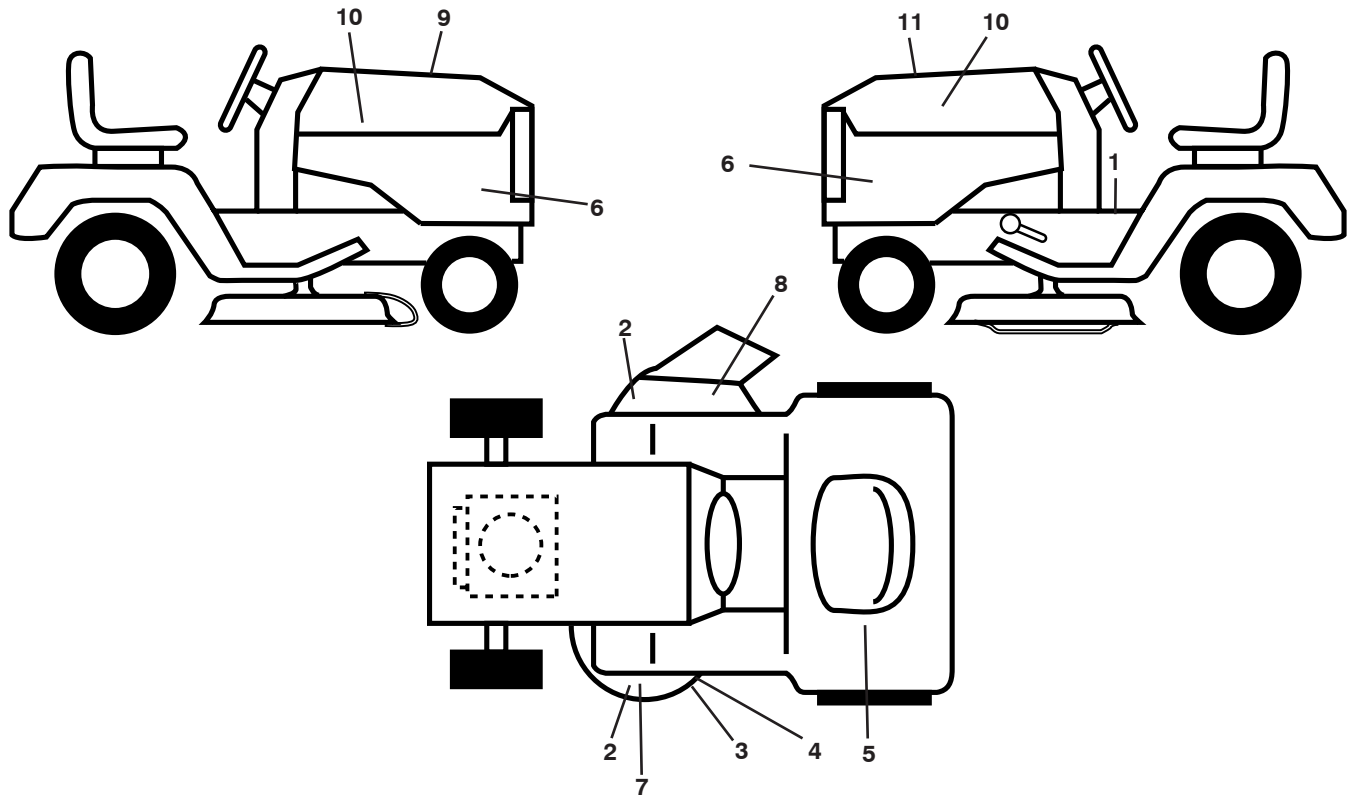
CÓDIGO No.	PIEZA No.	DESCRIPCIÓN
1	590 33 73-01	Asiento
2	590 33 66-02	Soporte pivotante del guardabarros
3	590 77 76-02	Conector del ensamble del guardabarros
6	521 99 65-02	Tuerca de 3/8 -16
7	590 81 23-01	Resorte del asiento
8	532 17 18-77	Perno de 5/16" unc x 3/4"
10	590 48 17-02	Bandeja del asiento
19	590 69 15-01	Asiento perilla 5/16-18 x 3/4

CÓDIGO No.	PIEZA No.	DESCRIPCIÓN
21	596 23 11-01	Perno de 5/16-18 x .910
37	539 11 28-99	Tuerca de 5/16-18
42	532 19 93-71	Arandela taza
47	590 35 11-01	Arandela de nylon 50 x 1.12 x 003

NOTA: Las dimensiones de todos los componentes están expresadas en pulgadas americanas. 1 pulgada = 25,4 mm

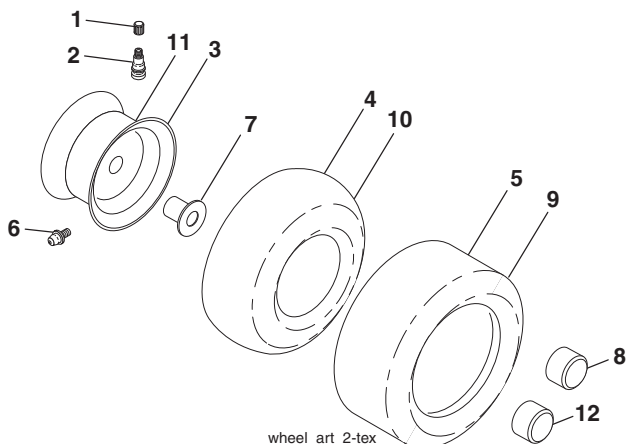
TRACTOR MODELO NO. TS 348D (96043028400), PRODUCTO NO. 960 43 02-84

CALCOMANÍAS



CÓDIGO No.	PIEZA No.	DESCRIPCIÓN	CÓDIGO No.	PIEZA No.	DESCRIPCIÓN
1	581 57 89-01	Calcomanía, Advertencia	--	581 57 90-01	Calcomanía para el guardabarros
2	589 35 79-01	Calcomanía, Ningún paso	--	586 74 22-01	Calcomanía, Reserva de combustible
3	581 58 00-02	Calcomanía del diagrama de la cortadora de césped	--	581 72 48-01	Calcomanía para la desviación
4	592 89 83-01	Calcomanía, Garantía	--	532 43 98-82	Forro del apoyo para los pies izquierdo
5	587 01 51-01	Calcomanía, Cuidado	--	532 43 98-81	Forro del apoyo para los pies derecho
7	590 88 50-01	Calcomanía, Corte claro	--	115 97 41-49	Manual del operario (Inglés/Español)
6	593 12 46-01	Calcomanía, Panel	--	115 97 43-32	Manual del operario (Francés)
8	586 97 88-01	Calcomanía, Advertencia	--	115 97 42-49	Manual de repuestos (Inglés/Español)
9	532 42 38-29	Calcomanía	--	115 97 44-32	Manual de repuestos (Francés)
10	581 62 73-01	Calcomanía para la capota, logo	--	587 71 00-26	Manual de QSG (Inglés/Español)
11	593 09 74-01	Calcomanía de reemplazo	--	587 71 01-26	Manual de QSG (Inglés/Francés)

WHEELS AND TIRES



CÓDIGO No.	PIEZA No.	DESCRIPCIÓN
1	532 05 91-92	Tapa de la válvula del neumático
2	532 06 51-39	Vástago de la válvula
3	532 18 18-39	Ensamble de las llantas delanteras
4	532 00 81-34	Cámara delantera
5	532 10 62-30	Neumático delantero 16 x 6.5
6	532 00 02-78	Accesorio para engrasar (solo para la rueda delantera)
7	532 00 90-40	Rodamiento de la brida (solo para la rueda delantera)
8	532 17 50-39	Tapa del eje frente
9	532 10 55-88	Neumático trasero 23 x 10.5-12
10	532 00 71-54	Cámara trasera (Mantenimiento sólo)
11	532 14 45-10	Ensamble trasero de la llanta
12	501 50 31-01	Tapa del eje trasero negro
--	532 14 43-34	Sellador para neumáticos (tubo de 10 onzas [283 gr])

NOTA: Las dimensiones de todos los componentes están expresadas en pulgadas americanas. 1 pulgada = 25,4 mm

NOTES/AVISO



www.husqvarna.com