

Repair Parts Manual
Manual De Repuestos
TS 348D / 96043028500

Please read the operator's manual carefully and make sure you understand the instructions before using the machine.

Por favor lea cuidadosamente y comprenda estas instrucciones antes de usar esta maquina.



English/Spanish



HOW TO USE THIS MANUAL

This manual is designed to provide the customer with a means to identify the parts on his/her tractor when ordering repair parts. The illustrations may or may not represent the actual assemblies; therefore, it is not recommended to use this manual as a guide to assemble or disassemble the tractor. Some hardware and parts are drawn larger in order to more readily identify them.

Each tractor has its own model number. The model number for your tractor can be found on the fender under the seat.

Support / Help

If you require assistance or have questions concerning the application, operation, maintenance or parts for your product:

- Visit our website: www.husqvarna.com
- Call Us Toll Free: 1-800-487-5951

When ordering parts, always give the following information:

- Product - "TRACTOR"
- MODEL NUMBER - "TS 348D" (96043028500)"
- Part Number
- Part Description

TABLE OF CONTENTS

SCHEMATIC	3
ELECTRICAL	4-5
CHASSIS	6-7
DRIVE	8-9
ENGINE	10-11
STEERING	12-13
MOWER DECK	14-15
MOWER LIFT	16
SEAT	17
DECALS	18

COMO UTILIZAR ESTE MANUAL

Este manual está diseñado para brindarle al comprador un medio para identificar las piezas del tractor para cuando necesite hacer el pedido de un repuesto. Las ilustraciones pueden o no representar los ensambles reales; por lo tanto, no se recomienda utilizar este manual como una guía para ensamblar o desarmar el tractor. Algunos accesorios y piezas están dibujados en tamaños más grandes para identificarlos con mayor facilidad.

Cada tractor tiene su propio número de modelo. El número de modelo del tractor se encuentra en el guardabarros debajo del asiento.

Soporte / Ayuda

Si necesita asistencia o tiene alguna pregunta acerca de la aplicación, operación, mantenimiento o piezas de su producto:

- Visite nuestro sitio web: www.husqvarna.com
- Llámenos de manera gratuita al: 1-800-487-5951

Cuando haga el pedido de una pieza, siempre brinde la siguiente información:

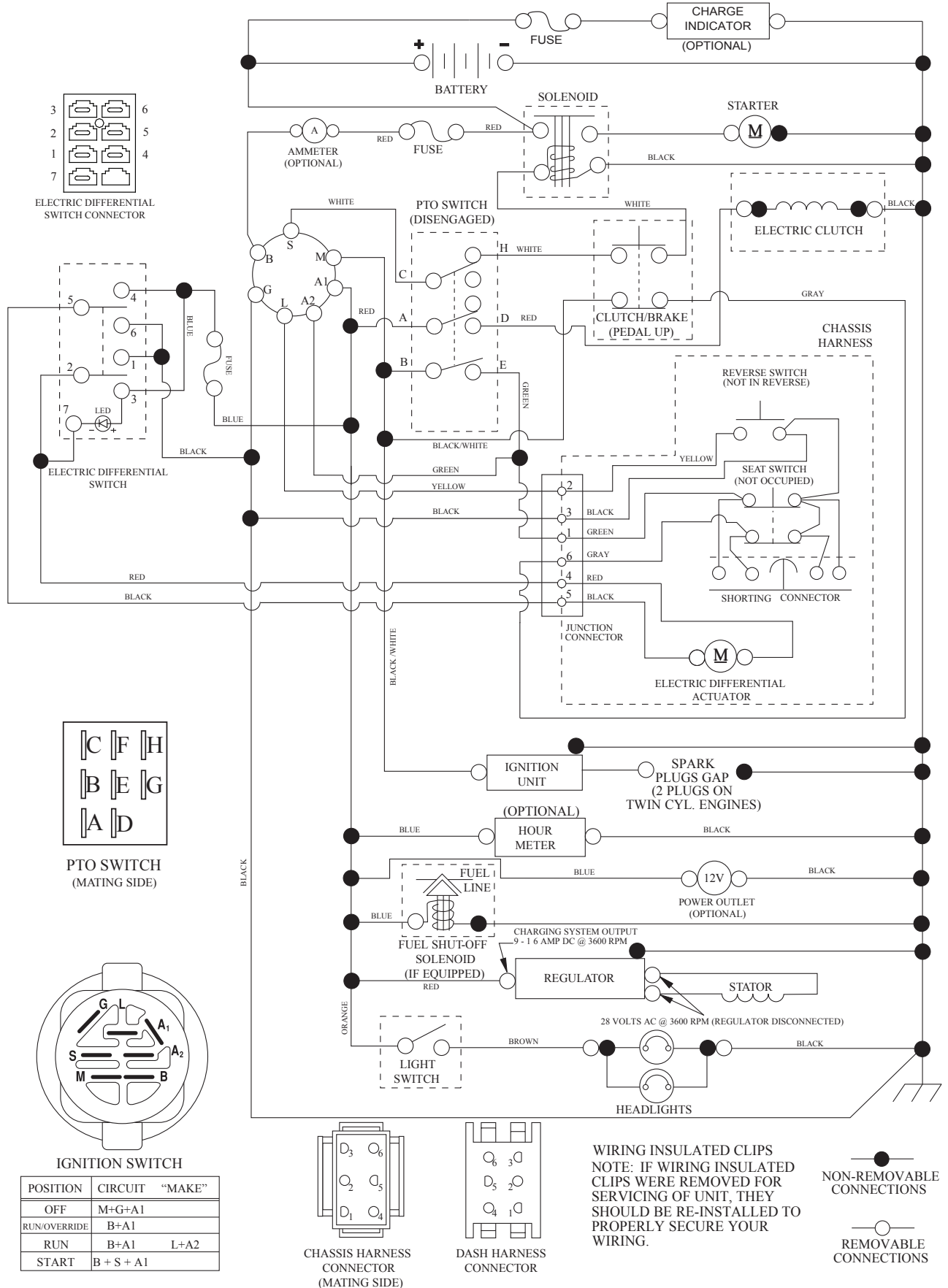
- Producto: "TRACTOR"
- NÚMERO DE MODELO: "TS 348D" (96043028500)"
- Número de pieza
- Descripción de la pieza

ÍNDICE

DIAGRAMA	19
DIAGRAMA ELÉCTRICO	20-21
CHASIS	22-23
TRANSMISIÓN	24-25
MOTOR	26-27
DIRECCIÓN	28-29
PLATAFORMA DE LA CORTADORA DE CÉSPED	30-31
ELEVACIÓN DE LA CORTADORA DE CÉSPED	32
ASIENTO	33
CALCOMANÍAS	34

TRACTOR - MODEL NO. TS 348D (96043028500), PRODUCT NO. 960 43 02-85 SCHEMATIC

SCH27

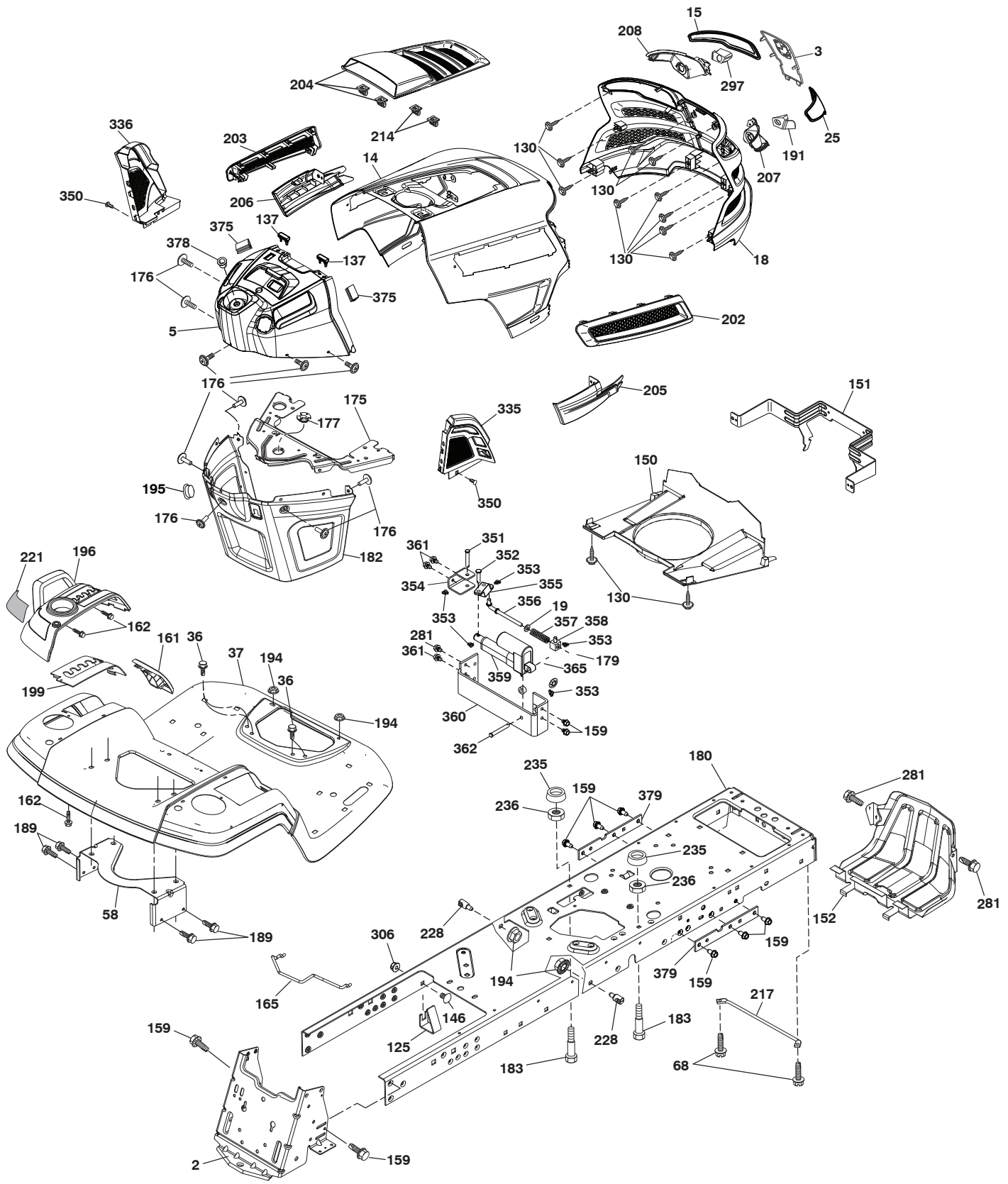


**TRACTOR - MODEL NO. TS 348D (96043028500), PRODUCT NO. 960 43 02-85
ELECTRICAL**

KEY NO.	PART NO.	DESCRIPTION
1	532 16 34-65	Battery
2	874 76 04-12	Bolt Hex Hd 1/4-20 unc x 3/4
8	532 41 41-26	Battery Tray
16	532 17 61-38	Switch Interlock
21	532 40 02-52	Harness Socket Light
22	532 00 41-52	Bulb, Light #1156
24	585 55 56-01	Cable Battery
25	585 55 55-01	Cable Starter
26	532 17 51-58	Fuse
27	596 13 36-01	Locknut, Keps, 1/4-20
28	532 41 65-88	Cable Ground 21" Blk 6 Ga.
29	532 19 27-49	Switch Seat
30	532 19 33-50	Switch Ign
33	532 41 19-33	Key/Chain
34	532 11 07-12	Switch Light/Reset
40	580 72 35-02	Harness Ign. Dash
41	817 72 04-08	Screw 1/4-20 unc x 1/2
42	532 13 15-63	Cover Terminal Red
43	582 04 28-02	Solenoid
46	594 91 91-01	Gauge Hourmeter Delta
50	582 10 76-02	Switch PTO
55	817 06 05-12	Screw Thdrol 5/16-18 x 3/4
71	580 51 30-01	Harness Ign Chassis
75	580 36 64-01	Switch On
79	532 17 52-42	Socket Asm. Bulb Twistlock
90	532 43 53-95	Cover Terminal Battery
99	817 67 04-12	Screw Hexwsh Thdrol 1/4-20 x 3/4
100	596 13 53-01	Washer, Plain, 9/32 x 7/8, Clr, Zn
102	532 40 44-54	Harness Pigtail
105	532 40 75-68	Switch Reverse

NOTE: All component dimensions given in U.S. inches
1 inch = 25.4 mm

**TRACTOR - MODEL NO. TS 348D (96043028500), PRODUCT NO. 960 43 02-85
CHASSIS**



chassis-tex_GT HUSQ_II_269_r1

**TRACTOR - MODEL NO. TS 348D (96043028500), PRODUCT NO. 960 43 02-85
CHASSIS**

KEY NO.	PART NO.	DESCRIPTION	KEY NO.	PART NO.	DESCRIPTION
2	580 43 44-01	Drawbar	205	532 43 97-30	Skirt Hood Side RH
3	532 44 44-81	Applique Sub Asm.	206	532 43 97-29	Skirt Hood Side LH
5	590 74 88-14	Dash	207	587 46 45-01	Bezel RH
14	532 44 11-77	Hood	208	587 46 48-01	Bezel LH
15	532 43 97-33	Lens LH	214	532 19 91-45	Clip Retainer
18	597 24 72-01	Grille, Asm, Gt II, Incandescent	217	532 40 91-67	Rod Pivot
19	596 13 32-01	Washer, 13/32 x 13/16 x 12 ga	221	532 19 89-09	Reflector LH
25	532 44 33-85	Lens RH	228	593 82 40-01	Stud, W/"D"Anti-Rotation
36	817 06 05-12	Screw 5/16-18 x 3/4	235	596 56 42-01	Spacer, Fender, Clr, Zn
37	532 44 12-08	Fender	236	873 93 05-00	Nut Center Lock 5/16-18 unc
58	532 19 43-14	Bracket Fender	281	817 00 06-16	Screw 3/8-16 x 1
68	596 03 07-01	Screw, Hexagon, 5/16-18 x 1/2	297	532 43 74-56	Insert Reflective LH
125	581 68 48-01	Clip Fuel Line	306	873 90 06-00	Nut Lock
130	596 32 17-01	Screw, #10 x 0.750, Bos, Thread	335	532 44 82-04	Cover RH
137	532 40 75-90	Bumper Dash	336	532 44 53-09	Cover LH
146	581 85 79-01	Bolt	350	532 44 51-43	Clip X-mas Tree
150	532 43 97-74	Duct Air	351	532 42 17-34	Pin Clevis
151	532 43 66-70	Bracket Pivot Hood	352	532 44 86-34	Clevis .375 x 1.25
152	532 43 98-70	Shield Browning/Debris	353	532 17 80-62	Clip Retainer
159	817 00 06-12	Screw 3/8-16 x 3/4	354	593 19 69-01	Support, Diff, Lock, Bellcrank
161	532 43 99-29	Console Fuel Window	355	532 44 86-36	Bellcrank Pivot Lock Diff
162	596 13 41-01	Screw, Hex, Tap, 1/4-15 x 1/2	356	532 44 86-93	Link Diff Lock Actuator
165	532 19 43-30	Bracket Support Tank	357	532 44 86-84	Spring Compression
175	590 60 77-02	Crossmember	358	599 12 81-01	Swivel, Guide
176	532 40 07-76	Screw 10-24 x 5/8 Wshd Qdrx	359	584 39 34-01	Actuator Electric
177	532 19 52-28	Bushing Steering	360	532 44 86-18	Bracket Actuator
179	532 16 89-37	Nut Push	361	596 56 40-02	Bolt, Hhd, 3/8-16 x 0.655 Clr, Zn
180	593 34 63-02	Chassis	362	532 44 86-33	Clevis .375 x 2.42
182	532 40 68-59	Dash Lower	365	532 44 73-68	Nyln Spcr .375C.75 x .4375
183	595 30 57-01	Screw, Hexagon, 5/16-18 x 1-1/4	375	586 90 82-01	Dash Clip-On Bumper
189	817 00 05-12	Screw 5/16-18 x 3/4	378	590 84 98-01	Bushing Flange
191	532 43 74-55	Insert Reflective RH	379	593 20 69-02	Chassis Plate Reinforcement
194	596 13 57-01	Nut, Lock, Prvl, Torq, 5/16-18 x .68	--	597 33 48-01	Mod, Bumper, Trctr, 1tube, Std, Blk
195	532 40 41-37	Plug Hole			
196	532 43 96-74	Console Asm. Deck Lift			
199	532 19 82-59	Plate Deck Lift			
202	532 43 97-28	Vent Side Hood RH			
203	532 43 97-27	Vent Side Hood LH			
204	587 48 58-01	Vent, Top, Asm (Includes Clips)			

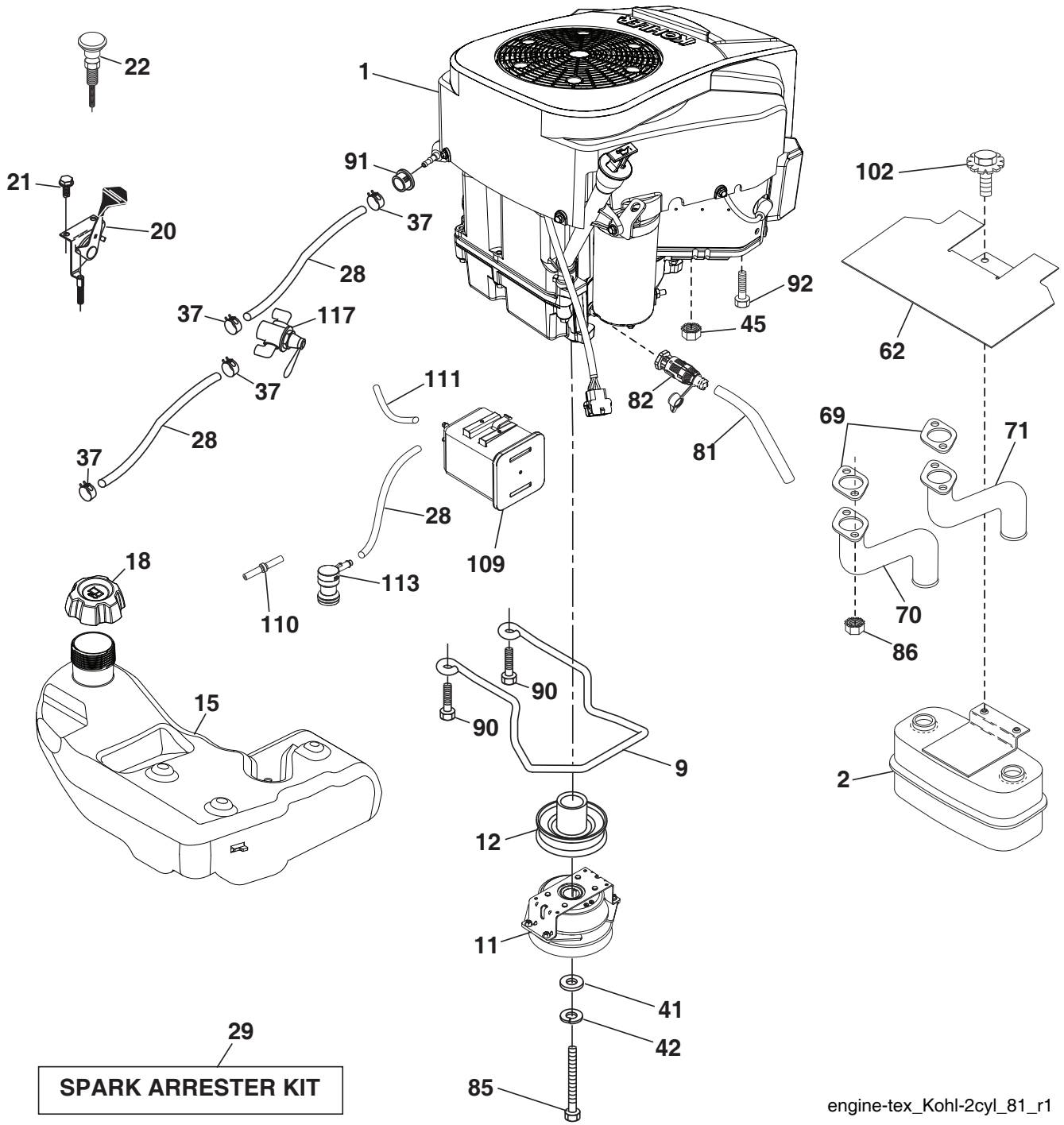
NOTE: All component dimensions given in U.S. inches
1 inch = 25.4 mm

TRACTOR - MODEL NO. TS 348D (96043028500), PRODUCT NO. 960 43 02-85 DRIVE

KEY NO.	PART NO.	DESCRIPTION	KEY NO.	PART NO.	DESCRIPTION
1	---	Transaxle, Tufftorq K66ELD (580402201) (Order parts from transaxle manufacturer.)	167	532 40 52-57	Latch Brake Parking
2	539 91 27-57	Key .25 x 1.25	170	532 19 43-22	Keeper V-Idler Centerspan
3	532 00 75-63	Washer Thrust Axle Hardened	171	596 13 63-01	Bolt, Cup, Head, 3/8-16 x 2
7	586 93 54-02	Hub Asm. Wheel	177	587 22 53-01	Pin, Cotter, Locking, Bowtie, 1in
9	596 21 87-01	Bolt, Fit, Shank, 7/16-14 x 1-3/8"	183	587 58 74-01	Spacer Axle
15	596 56 53-01	Washer, 3/8 x 0.08in, St, Clr, Zinc	184	587 65 37-01	Handle Parking Brake
17	532 40 10-72	Spring, Brake	185	872 11 06-22	Bolt Rdhd 3/8-16 unc x 2-3/4 G5
26	532 19 96-79	Spring Return Cruise	186	532 19 43-21	Spacer Retainer
29	532 40 72-45	Rod, Brake	187	596 13 55-01	Washer, 13/32 x 2, Clear, Zinc
33	812 00 00-53	Ring E	188	582 21 70-01	Link Clutch Ground Drive, Long
35	590 60 59-02	Rod, Brake, Park	189	532 19 43-17	Bellcrank Ground Drive
42	532 00 88-83	Cover, Foot Pedal	190	532 19 43-18	Keeper Bellcrank Ground Drive
49	596 13 62-01	Bolt, Cup, Head, 3/8-16 x 3/4	196	817 00 06-16	Screw 3/8-16 x 1
50	532 19 43-27	Pulley Idler Flat	197	585 65 86-02	Bracket Clutch Anti-Rotation
51	873 90 06-00	Lock Nut 3/8-16	205	532 12 38-00	Washer 1-1/32 x 1-5/8 x 16 Ga.
52	532 19 43-26	Idler V-Groove	206	532 44 85-96	Bracket Mount Latch Cruise
56	592 85 53-01	V-Belt, Drive	207	587 03 14-02	Latch Control Cruise
64	532 19 78-65	Shaft Asm. Pedal Brake Control	208	596 56 41-01	Gear
69	532 42 33-03	Hairpin .059 x 1.125	209	590 52 78-02	Rod Control Cruise
70	532 43 96-61	Console Asm	210	532 19 78-60	Rocker Asm. Pedal Control
73	595 31 66-01	Bolt, Hhd W/Flange 5/16-18 Gr5	211	532 12 01-83	Bearing Nylon
74	596 13 41-01	Screw, Hex, Tap, 1/4-15 x 1/2	213	532 40 31-19	Knob Control Cruise
80	589 33 34-02	Strap Torque	214	532 42 12-63	Pedal Forward
92	595 30 57-01	Screw, Hexagon, 5/16-18 x 1-1/4	215	586 60 65-02	Pedal Reverse
99	582 40 47-01	Spring Bypass	220	532 19 89-08	Reflector RH
116	596 13 57-01	Nut, Lock, Prvl, Torq, 5/16-18 x .68	221	532 40 31-87	Retainer Spring Clip Handle
125	817 00 05-12	Screw 5/16-18 x 3/4	222	879 21 20-10	Washer 21/32 x 1-1/4 x 10 Ga.
153	532 00 44-97	Retainer Spring	225	532 40 73-11	Keeper Belt
159	596 02 95-01	Pin, Cotter, 1/8 Dia x 3/4	226	532 40 71-09	Bracket Mount Torque
161	532 10 57-09	Spring, Return, Clutch	282	874 49 05-48	Bolt 5/16-18 x 3.0 G5
163	532 40 72-46	Rod Pedal Control	366	592 87 80-02	Brckt, Reinf, Difflock, Msx431
166	532 42 91-64	Nut Push .625			

NOTE: All component dimensions given in U.S. inches
1 inch = 25.4 mm

**TRACTOR - MODEL NO. TS 348D (96043028500), PRODUCT NO. 960 43 02-85
ENGINE**



**TRACTOR - MODEL NO. TS 348D (96043028500), PRODUCT NO. 960 43 02-85
ENGINE**

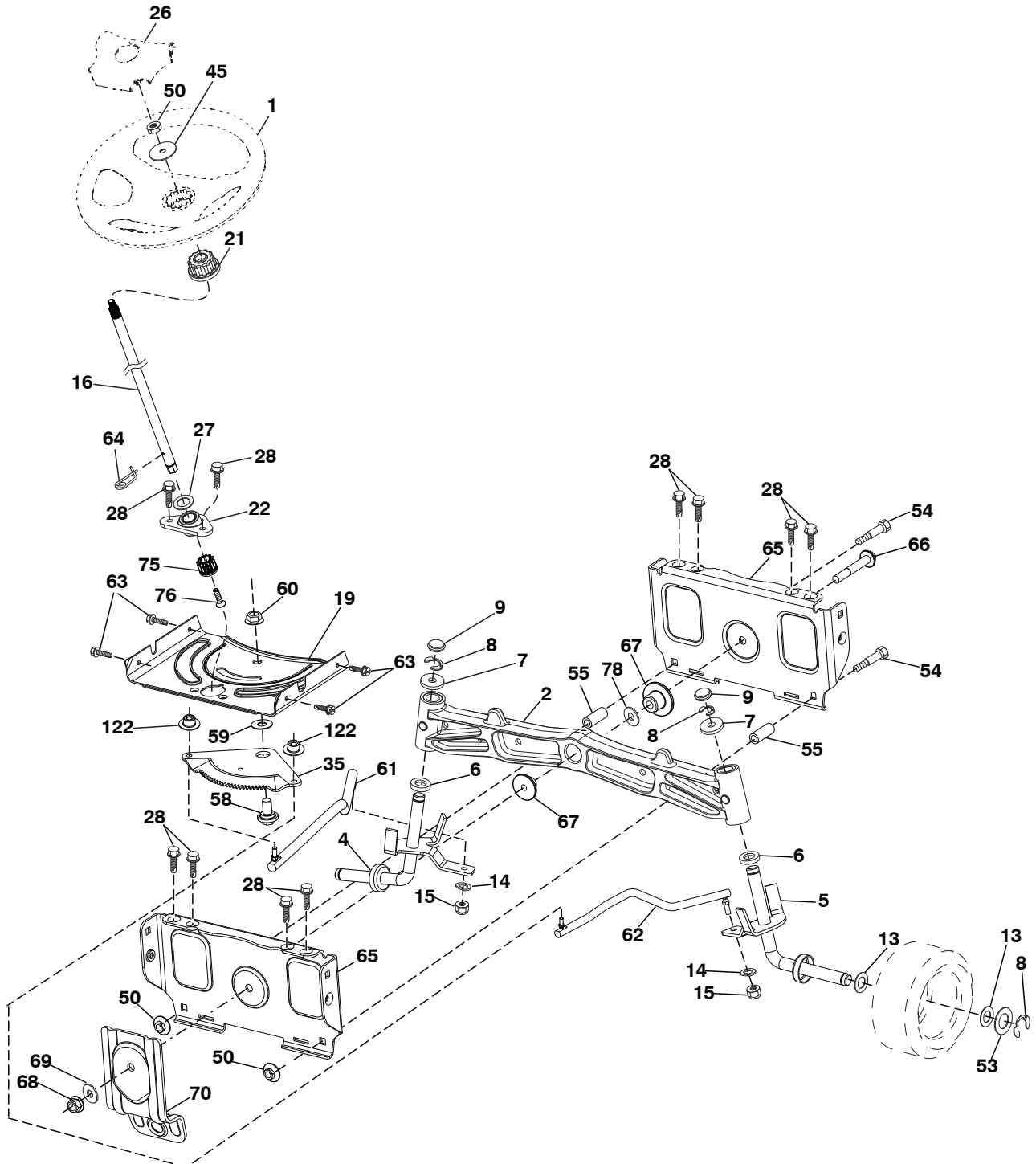
KEY NO.	PART NO.	DESCRIPTION
1	-- -- -- --	Engine Kohler Model No. KT735-3038 (587959801)(Order parts from engine manufacturer.)
2	589 81 87-01	Muffler
9	596 50 15-02	Keeper, Belt, Eng, 4, 25"
11	587 24 14-01	Clutch Electric
12	532 19 43-43	Pulley Engine
15	598 70 35-01	Fuel tank, Asm, 4 Gal, Svc, Carb19-2
18	599 50 22-01	Fuel, Cap, Asm, 3" W/Grease
20	532 18 29-37	Control Throttle
21	596 32 17-01	Screw, #10 x 0.750, Bos, Thread
22	532 19 15-96	Control Choke
28	532 40 11-35	Fuel Line
29	532 13 71-80	Spark Arrester Kit
37	532 12 34-87	Clamp Hose
41	532 12 61-97	Washer 1-1/2 OD x 15/32 ID x .250
42	596 23 89-01	Washer, 7/16 In, Clr, Zn
45	596 13 36-01	Locknut, Keps, 1/4-20
62	532 43 40-17	Shield Heat Muffler
69	532 18 60-54	Gasket
70	583 95 45-01	Tube Exhaust LH
71	583 95 48-01	Tube Exhaust RH
81	532 14 84-56	Oil Tube Drain
82	532 42 82-87	Valve Oil Drain
85	501 60 69-01	Bolt 7/16-20 x 3.0 x Gr. 5
86	532 18 43-62	Nut. Hex.Flange
90	817 00 06-16	Screw 3/8-16 x 1
91	532 18 74-95	Bushing
92	817 12 06-16	Screw 3/8-16 x 1
102	817 00 05-12	Screw 5/16 x 3/4
109	532 41 41-14	Canister Carbon
110	532 41 41-18	Valve Asm
111	596 94 15-01	Purge Line
113	532 41 41-27	Valve Slant
117	532 42 08-28	Valve Fuel Reserve

NOTE: All component dimensions given in U.S. inches
1 inch = 25.4 mm

For engine service and replacement parts, call the toll free number for your engine manufacturer listed below:

Kohler Co. 1-800-544-2444

TRACTOR - MODEL NO. TS 348D (96043028500), PRODUCT NO. 960 43 02-85
STEERING ASSEMBLY



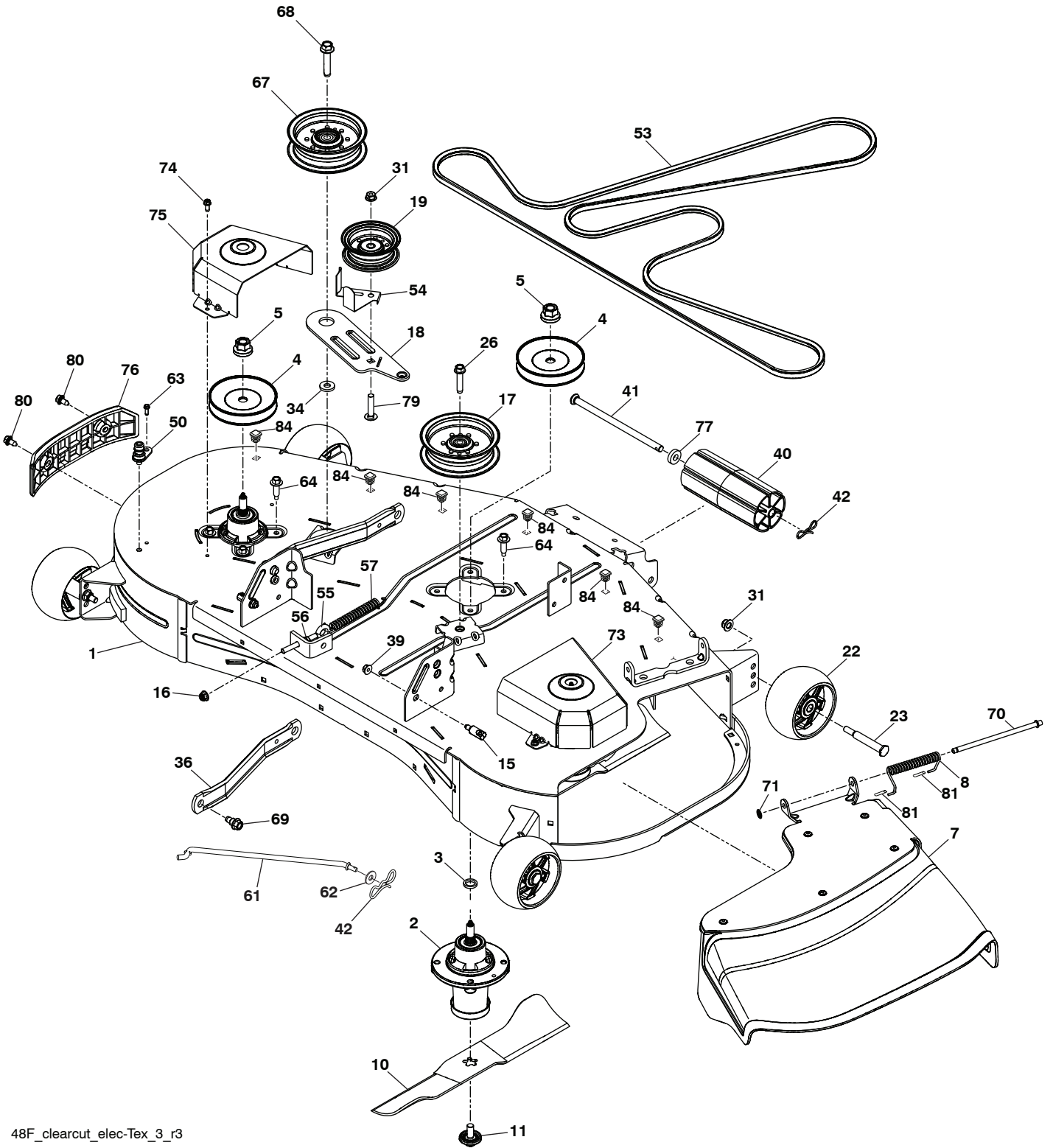
steering-tex_HUSQSR_70

**TRACTOR - MODEL NO. TS 348D (96043028500), PRODUCT NO. 960 43 02-85
STEERING ASSEMBLY**

KEY NO.	PART NO.	DESCRIPTION
1	532 43 97-40	Wheel, Steering
2	532 19 59-68	Axle Asm., Front
4	532 40 30-89	Spindle Asm. LH
5	532 40 30-90	Spindle Asm. RH
6	532 00 62-66	Washer, Thrust .75 x 1.230
7	532 12 17-48	Washer 25/32 x 1-5/8 x 16 Ga.
8	812 00 00-29	Ring, Clip #T5304-75
9	532 12 12-32	Cap, Spindle
13	532 12 17-49	Washer 25/32 x 1-1/4 x 16 Ga.
14	596 23 87-01	Washer, Spring, Lock, 381ID x .680
15	873 54 06-00	Nut, Crown Lock 3/8-24 unf
16	587 01 60-02	Steering Shaft
19	532 19 47-29	Plate Steering
21	586 84 02-01	Adapter Wheel Steering
22	585 02 99-01	Bearing
26	532 43 97-43	Insert, Wheel Steering
27	596 93 34-01	Washer, Plain
28	817 00 06-12	Screw 3/8-16 x 3/4
35	532 19 47-32	Gear, Sector Plate
45	587 01 64-01	Washer 3/8 ID 2-3/8 OD 12 Ga. PLTD
50	873 90 06-00	Nut Lock Flg 3/8-16 unc
53	532 18 89-67	Washer Hardened .793 x 1.637 x .060
54	874 76 06-36	Bolt Hex 3/8-16 unc x 2-1/4
55	532 41 47-36	Bolt Hex 3/8-16 unc x 2-1/4
58	532 19 47-47	Bolt Shoulder Sector Pivot CFM
59	532 19 47-48	Washer Thrust Sector Steering
60	873 97 10-00	Nut Flange Lock 5/8-11
61	597 07 02-02	Draglink, LH, Adj, Std, Clrzn
62	597 07 03-02	Draglink, RH, Adj, Std, Clrzn
63	817 00 05-12	Screw 5/16-18 x 3/4
64	532 19 98-49	Retainer Clip Spring Steering
65	532 19 47-34	Brace Axle Front
66	871 02 07-48	Bolt Hex Fghd 7/16-14 x 3 Serr
67	532 19 47-37	Bushing PM Front Axle
68	873 90 07-00	Nut Lock Flange 7/16-14 Gr. 5
69	532 19 91-62	Washer 1.5 x .505 x .118
70	585 33 88-01	Bracket Deck Susp. Front
75	580 68 37-01	Pinion
76	580 68 36-01	Screw Head Sock
78	532 05 70-79	Washer Thrust
122	532 44 49-62	Cap Gear Sector

NOTE: All component dimensions given in U.S. inches
1 inch = 25.4 mm

TRACTOR - MODEL NO. TS 348D (96043028500), PRODUCT NO. 960 43 02-85
MOWER DECK



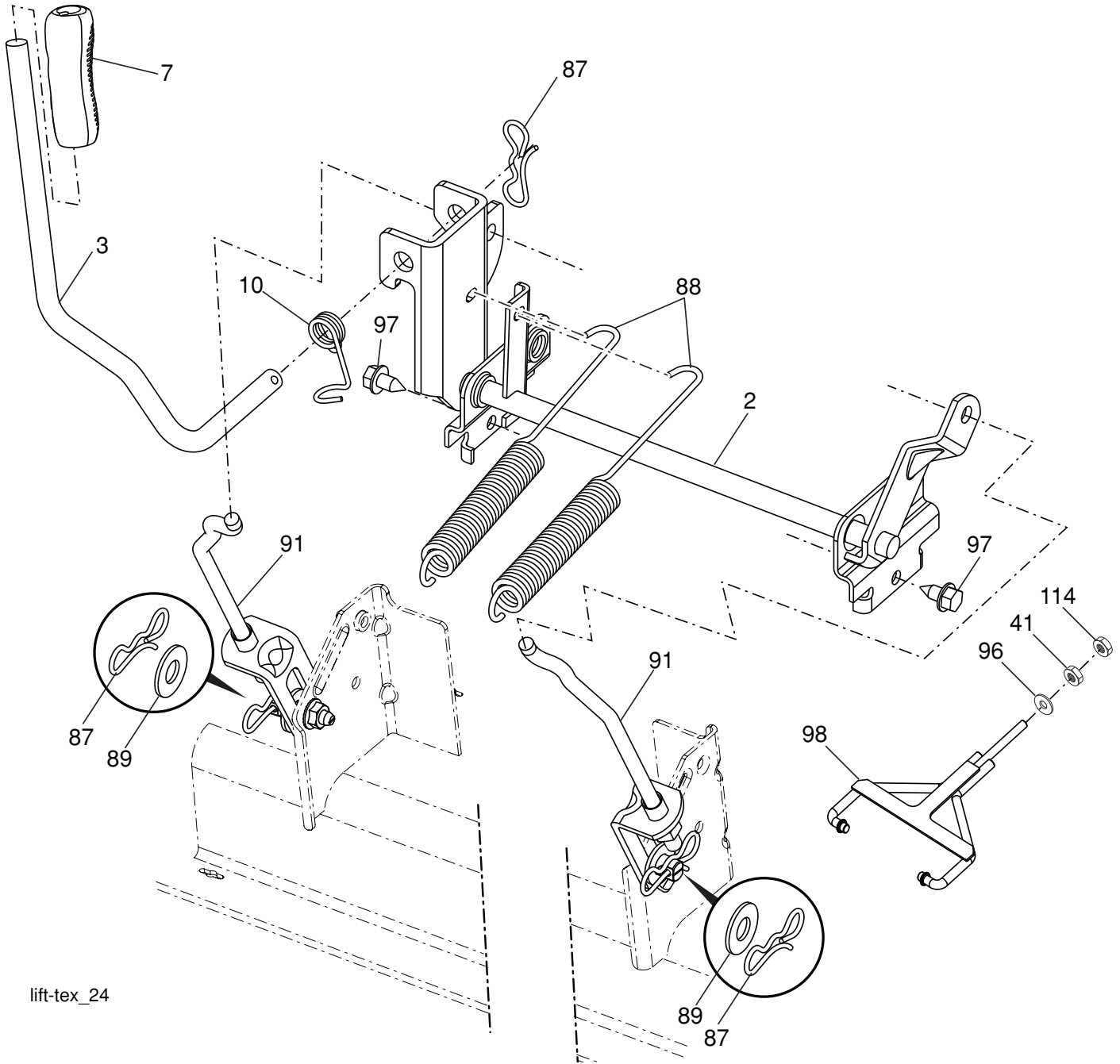
48F_clearcut_elec-Tex_3_r3

**TRACTOR - MODEL NO. TS 348D (96043028500), PRODUCT NO. 960 43 02-85
MOWER DECK**

KEY NO.	PART NO.	DESCRIPTION	KEY NO.	PART NO.	DESCRIPTION
1	583 81 00-01	Kit SVC Deck Weld.	56	596 03 92-01	Nut, Ser, Flange, Locknut, 5/16-18
2	539 13 18-98	Housing Assembly	57	587 35 84-01	Spring Extn.
3	532 18 76-90	Washer-Spacer	61	596 27 44-01	Rod, Anti-Sway, Tex, Clr, Zinc
4	532 17 34-34	Pulley, Mandrel	62	596 13 32-01	Washer, 13/32 x 13/16 x 12 Ga
5	596 13 48-01	Nut, Hex, 9/16-18 x 1.010	63	596 63 73-01	Screw, Hex, W/Collar, 1/4-20 x 5/8
7	593 64 97-01	Deflector Asm. 48"	64	584 95 39-01	Bolt Hex Washer Head .313-18 x 1.19
8	587 35 47-01	Spring - Torsion	67	532 19 61-06	Pulley Idler
10	588 81 10-02	Blade	68	596 56 40-03	Bolt, Hex 3/8-16 x 1.78, Clrzinc
11	532 19 30-03	Bolt Washer Assy 7/16-20	69	532 19 65-39	Bolt Shoulder
15	593 82 40-01	Stud, W/"D"Anti-Rotation	70	595 29 70-01	Rod, Hinge
16	594 94 44-01	Nut, Hex, Flng, 5/16-18, Nyloc, Clr	71	532 11 04-52	Nut Push
17	532 19 61-04	Pulley, Idler	73	588 81 24-02	Cover Mandrel RH
18	588 81 22-02	Arm Clutching	74	532 13 77-29	Screw Thdrl 1/4-20 x 5/8
19	532 19 31-97	Pulley, Idler	75	588 81 31-02	Cover Mandrel LH
22	589 52 73-01	Wheel, Gauge	76	582 54 11-03	Bumper Side Trim
23	596 43 44-04	Bolt, Shoulder, 3/8-16 x 3-5/8"	77	582 36 05-01	Bushing Nose Roller
26	588 43 83-01	Screw 7/16-14 x 2.125 Wsh	79	596 13 62-01	Bolt, 3/8-16 x 1-3/4, Carriage
31	873 90 06-00	Nut Lock Flng 3/8-16 unc	80	532 17 01-65	Bolt 5/16
34	532 17 85-15	Washer, Flat Hardened	81	532 10 53-04	Cap Sleeve
36	587 14 05-02	Arm, Susp., Rear	84	596 95 22-01	Plug, Hole, Square
39	596 13 57-01	Nut, Lock, Prvl, Torq, 5/16-18 x .68	--	532 41 64-05	Connect Quick Coupling
40	532 17 60-66	Roller, Nose, 48"			
41	594 09 25-01	Rod, Roller, Narrow, Nose, V2			
42	532 19 42-08	Pin Cotter			
50	532 41 55-98	Washout Port			
53	599 27 57-01	Belt, Deckdrive, 48fcs, Tractor			
54	532 14 10-43	Guard, Belt			
55	596 24 08-01	Bolt, Eyelet, 5/16-18 x 3-1/2			

NOTE: All component dimensions given in U.S. inches
1 inch = 25.4 mm

**TRACTOR - MODEL NO. TS 348D (96043028500), PRODUCT NO. 960 43 02-85
MOWER LIFT**



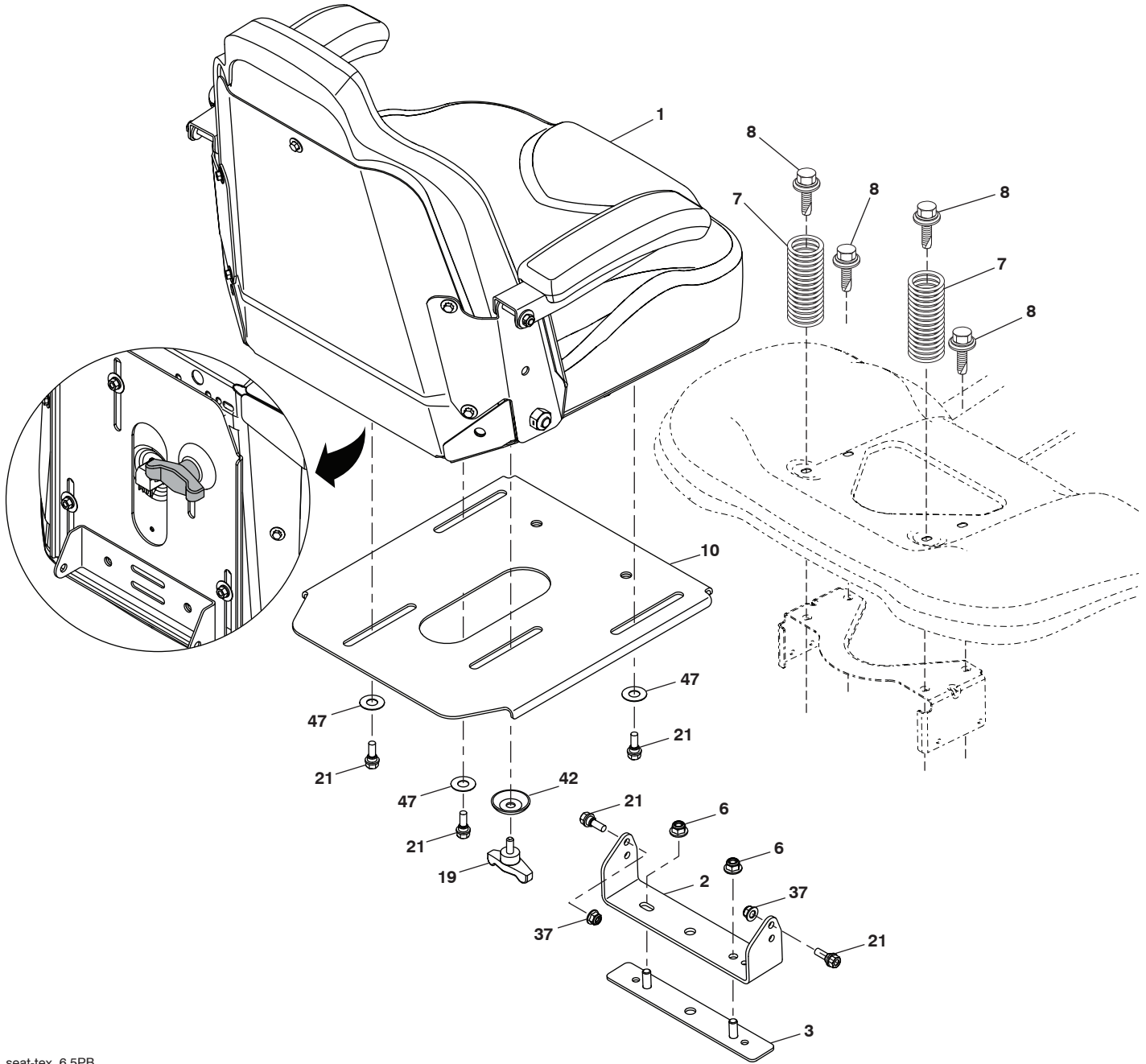
lift-tex_24

KEY NO.	PART NO.	DESCRIPTION
2	532 42 20-27	Shaft Asm., Lift
3	596 27 06-01	Handle, Liftlever, Gt, Std, Wide
7	580 96 23-01	Grip, Lever
10	532 19 63-14	Spring Torsion
41	589 46 49-02	Nut, Lift, Link, Clr, Zn
87	532 19 42-09	Pin Cotter 7/16 Bow Tie Lock
88	532 19 53-01	Spring, Lift, Assist, Gt, Black
89	819 19 19-12	Washer Clear Zinc

KEY NO.	PART NO.	DESCRIPTION
91	589 46 48-05	Link, Asm, Lift, Rear 10, 540, Blue
96	593 84 21-01	Bushing
97	817 00 06-12	Screw 3/8-16 x .75
98	574 82 25-01	Link Lift Susp. Front Mower
114	873 36 07-00	Nut Jam 7/16-20

NOTE: All component dimensions given in U.S. inches
1 inch = 25.4 mm

**TRACTOR - MODEL NO. TS 348D (96043028500), PRODUCT NO. 960 43 02-85
SEAT ASSEMBLY**



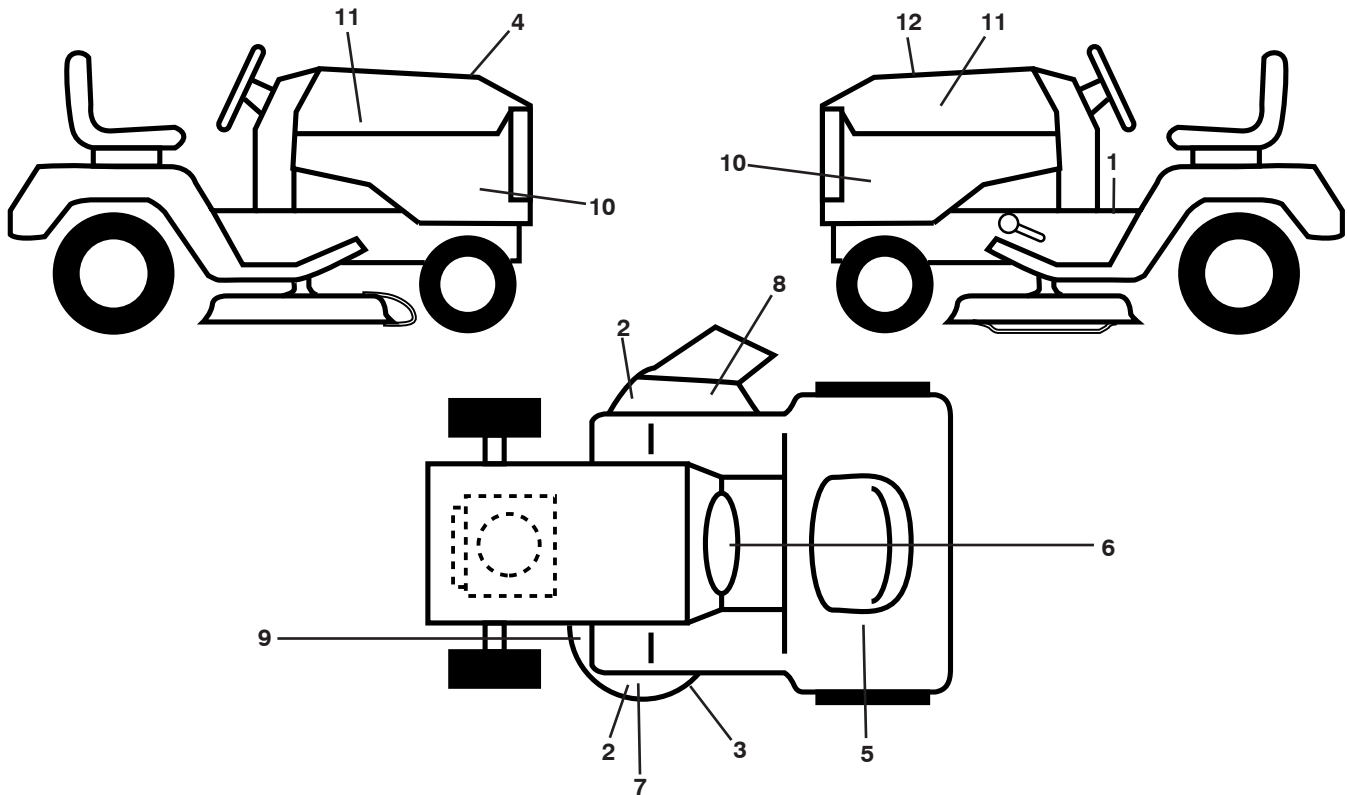
seat-tex_6.5PB

KEY NO.	PART NO.	DESCRIPTION
1	590 33 73-01	Seat
2	590 33 66-02	Bracket Pivot Fender
3	590 77 76-02	Bracket Asm.
6	521 99 65-02	Nut, 3/8-16 Hex Fig.
7	590 81 23-01	Spring, Seat Cprsn
8	532 17 18-77	Bolt 5/16-18 unc x 3/4 w/Sems
10	590 48 17-02	Pan, Seat
19	590 69 15-01	Know Seat 5/16-18 x 3/4

KEY NO.	PART NO.	DESCRIPTION
21	596 23 11-01	Bolt, Hex, Washer, 5/16-18 x .910
37	594 94 44-01	Nut, Hex, Flng, 5/16-18, Nyloc, Clr
42	532 19 93-71	Washer Cup
47	590 35 11-01	Washer Nylon 50 x 1.12 x .033

NOTE: All component dimensions given in U.S. inches
1 inch = 25.4 mm

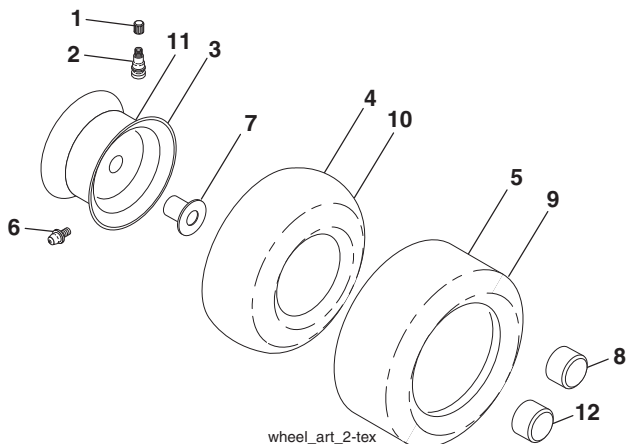
**TRACTOR - MODEL NO. TS 348D (96043028500), PRODUCT NO. 960 43 02-85
DECALS**



KEY NO.	PART NO.	DESCRIPTION
1	581 57 89-01	Decal, Warning
2	589 35 79-01	Decal, No Step
3	581 58 00-02	Decal, Mower Sch.
4	532 42 38-29	Decal, Warning
5	587 01 51-01	Decal, Warning Reserve
6	596 02 42-01	Decal, Warn Spark
7	590 88 50-01	Decal, 48" Clearcut
8	586 97 88-01	Decal, Deflect. Warning
9	592 89 83-01	Decal, Deck Warr

KEY NO.	PART NO.	DESCRIPTION
10	593 12 46-01	Decal, Panel Side
11	581 62 73-01	Decal, Hood Logo
12	593 09 74-01	Decal, Replacement
--	581 72 48-01	Decal, Bypass
--	532 43 98-82	Pad, Footrest, LH
--	532 43 98-81	Pad, Footrest, RH
--	115 97 51-49	Manual, Operator's (English/Spanish)
--	115 97 52-49	Manual, Part's (English/Spanish)
--	587 71 00-26	Manual, QSG Husq (English/Spanish)

WHEELS AND TIRES



wheel_art_2-tex

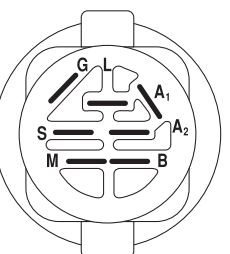
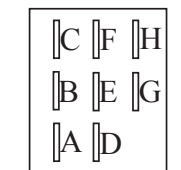
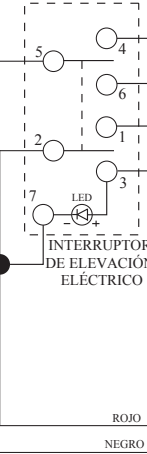
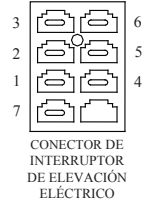
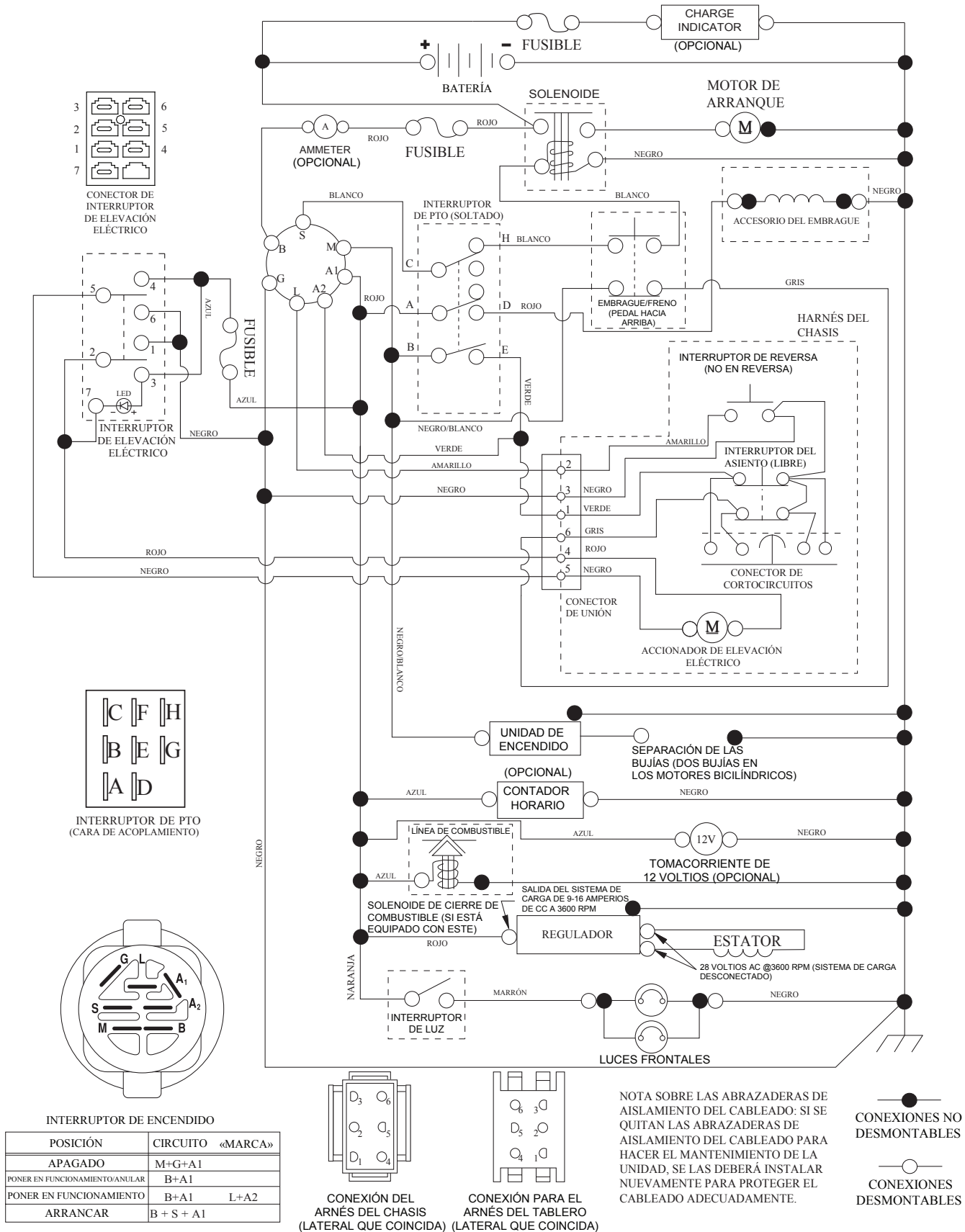
KEY NO.	PART NO.	DESCRIPTION
1	532 05 91-92	Cap, Valve, Tire
2	532 06 51-39	Stem, Valve
3	532 18 18-39	Rim Assembly, Front
4	532 00 81-34	Tube, Front (Service Item Only)
5	532 10 62-30	Tire, Front 16 x 6.5
6	532 00 02-78	Fitting, Grease (Front Wheel Only)
7	532 00 90-40	Bearing, Flange (Front Wheel Only)
8	532 17 50-39	Cap, Axle, Front
9	532 10 55-88	Tire, Rear 23 x 10.5-12
10	532 00 71-54	Tube, Rear (Service Item Only)
11	532 14 45-10	Rim Assembly, Rear
12	501 50 31-01	Cap, Hub, GT, PM, Black, Rear
--	532 14 43-34	Sealant, Tire (10 oz. Tube)

NOTE: All component dimensions given in U.S. inches
1 inch = 25.4 mm

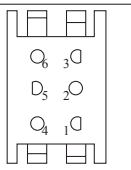
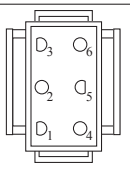
TRACTOR MODELO NO. TS 348D (96043028500), PRODUCTO NO. 960 43 02-85

DIAGRAMA

SCH27-s



POSICIÓN	CIRCUITO «MARCA»
APAGADO	M+G+A1
PONER EN FUNCIONAMIENTO ANULAR	B+A1
PONER EN FUNCIONAMIENTO	B+A1 L+A2
ARRANCAR	B + S + A1

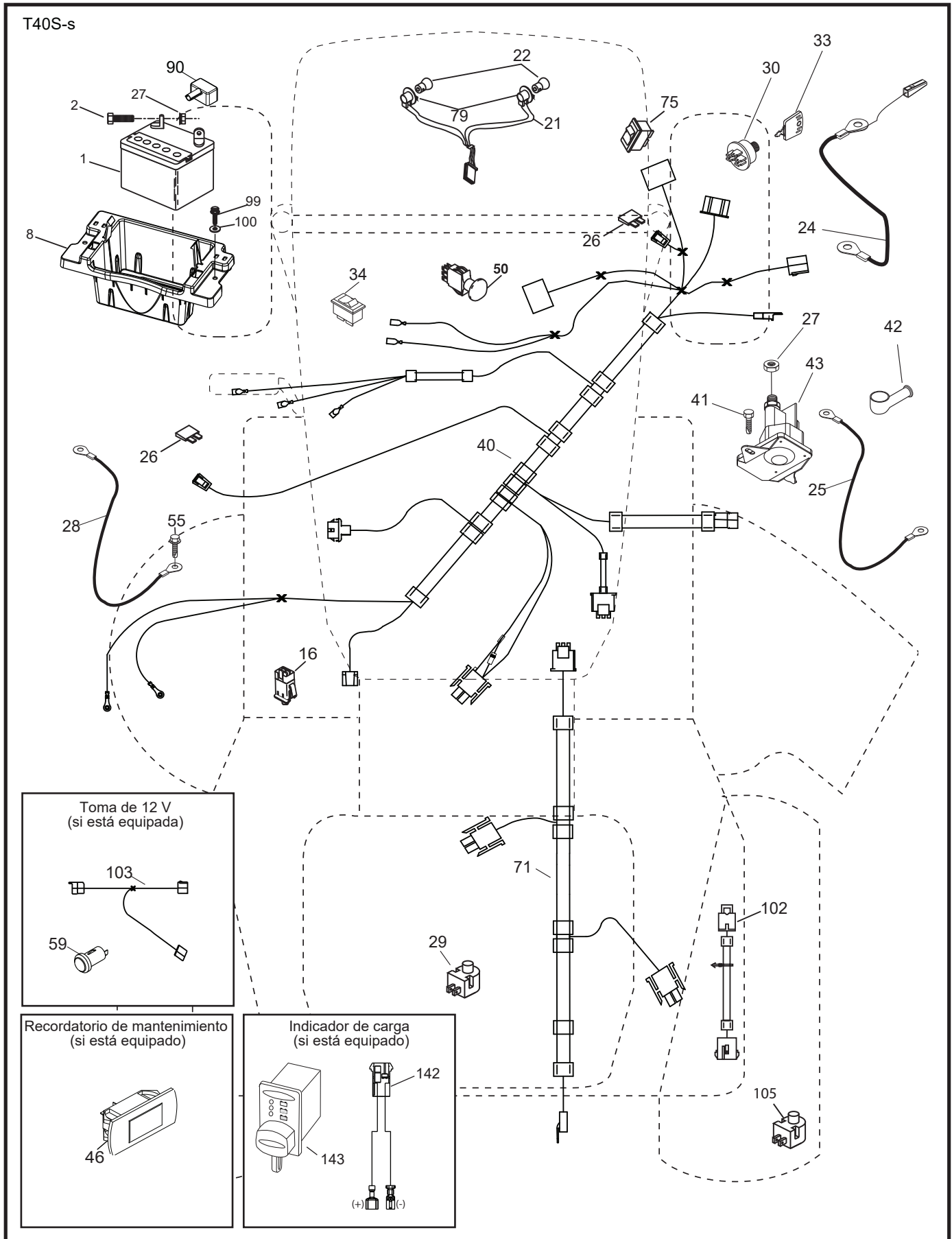


NOTA SOBRE LAS ABRAZADERAS DE AISLAMIENTO DEL CABLEADO: SI SE QUITAN LAS ABRAZADERAS DE AISLAMIENTO DEL CABLEADO PARA HACER EL MANTENIMIENTO DE LA UNIDAD, SE LAS DEBERÁ INSTALAR NUEVAMENTE PARA PROTEGER EL CABLEADO ADECUADAMENTE.



TRACTOR MODELO NO. TS 348D (96043028500), PRODUCTO NO. 960 43 02-85

DIAGRAMA ELÉCTRICO



**TRACTOR MODELO NO. TS 348D (96043028500), PRODUCTO NO. 960 43 02-85
DIAGRAMA ELÉCTRICO**

CÓDIGO No.	PIEZA No.	DESCRIPCIÓN
1	532 16 34-65	Batería
2	874 76 04-12	Perno de cabeza hexagonal de 1/4-20 x 3/4
8	532 41 41-26	Asamblea de bandeja de batería
16	532 17 61-38	Interruptor corta corriente a presión
21	532 40 02-52	Cableado del enchufe para la luz
22	532 00 41-52	Bombilla de luz
24	585 55 56-01	Cable
25	585 55 55-01	Cable
26	532 17 51-58	Fusible
27	596 13 36-01	Tuerca de presión de 1/4-20
28	532 41 65-88	Cable a tierra
29	532 19 27-49	Interruptor del asiento
30	532 19 33-50	Interruptor de encendido
33	532 41 19-33	Llave/cadena
34	532 11 07-12	Interruptor de luz/de restauración
40	580 72 35-02	Cableado de encendido
41	817 72 04-08	Tornillo
42	532 13 15-63	Cubierta de la terminal
43	582 04 28-02	Solenoides
46	594 91 91-01	Indicador
50	582 10 76-02	Interruptor
55	817 06 05-12	Tornillo de 5/16-18 x 3/4
71	580 51 30-01	Cableado de encendido, chasis
75	580 36 64-01	Interruptor
79	532 17 52-42	Enchufe de cierre por torsión del ensamble de la bombilla
90	532 43 53-95	Tapa de los bornes de la batería
99	817 67 04-12	Tornillo 1/4-20 x 3/4
100	596 13 53-01	Arandela de 9/32 x 7/8
102	532 40 44-54	Cableado
105	532 40 75-68	Interruptor inverso

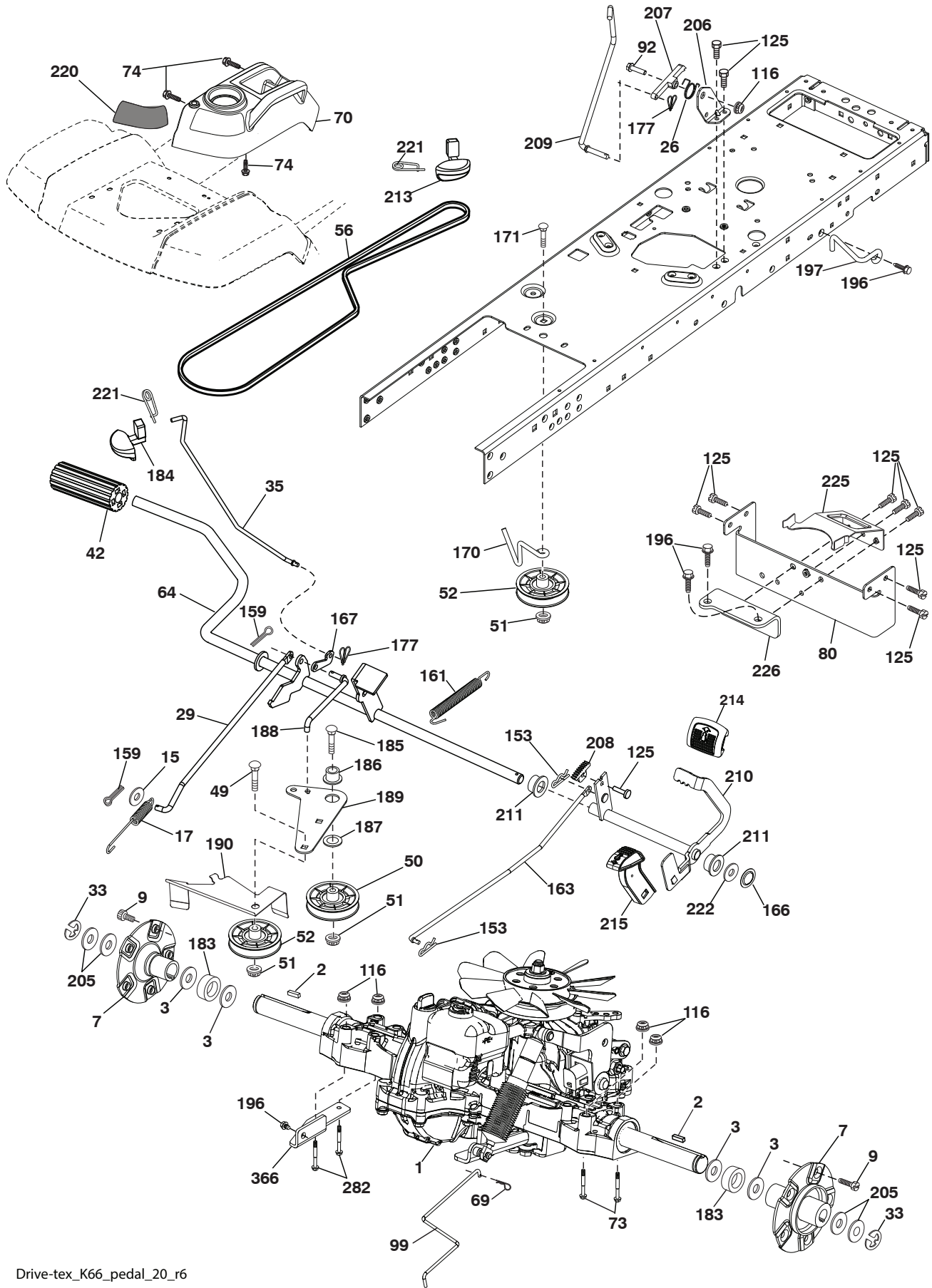
NOTA: Las dimensiones de todos los componentes están expresadas en pulgadas americanas. 1 pulgada = 25,4 mm

**TRACTOR MODELO NO. TS 348D (96043028500), PRODUCTO NO. 960 43 02-85
CHASIS**

CÓDIGO No.	PIEZA No.	DESCRIPCIÓN	CÓDIGO No.	PIEZA No.	DESCRIPCIÓN
2	580 43 44-01	Barra de tracción	205	532 43 97-30	Camisa de Capota (LD)
3	532 44 44-81	Aplica Submontaje	206	532 43 97-29	Camisa de Capota (LI)
5	590 74 88-14	Tablero	207	587 46 45-01	Bisel derecho
14	532 44 11-77	Capota	208	587 46 48-01	Bisel izquierdo
15	532 43 97-33	Lente izquierdo de la parrilla	214	532 19 91-45	Cierre
18	597 24 72-01	Rejilla, Montaje, Gt II, Incandescente	217	532 40 91-67	Varilla giratoria
19	596 13 32-01	Garantía, 13/32 x 13/16 x 12	218	532 19 63-95	Tope
25	532 44 33-85	Lente derecho de la parrilla	221	532 19 89-09	Reflector (LI)
36	817 06 05-12	Tornillo de 5/16-18 x 3/4	228	593 82 40-01	Espárrago, W / "D" antirrotación
37	532 44 12-08	Guardabarros	235	596 56 42-01	Espaciador, guardabarros, Clr, Zn
58	532 19 43-14	Soporte de Guardabarros	236	873 93 05-00	Tuerca de presión 5/16-18 unc
68	596 03 07-01	Tornillo, 5/16-18 x 1/2	281	817 00 06-16	Tornillo 3/8-16 x 1
125	581 68 48-01	Soporte	297	532 43 74-56	Parte movable reflexivo (LI)
130	596 32 17-01	Tornillo, #10 x 0.750	306	873 90 06-00	Tuerca
137	532 40 75-90	Cubierta Tablero	335	532 44 82-04	Cubierta (LD)
146	581 85 79-01	Perno	336	532 44 53-09	Cubierta (LI)
150	532 43 97-74	Cubierta	350	532 44 51-43	Cierre del árbol de navidad
151	532 43 66-70	Soporte de Capota	351	532 42 17-34	Clavija de horquilla
152	532 43 98-70	Protector contra oscurecimiento	352	532 44 86-34	Clavija .375 x 1.25
159	817 00 06-12	Tornillo 3/8-16 x 3/4	353	532 17 80-62	Pinzas de retención
161	532 43 99-29	Ventanilla de combustible	354	593 19 69-01	Soporte, diferencial, bloqueo, manivela de campana
162	596 13 41-01	Tornillo, 1/4-15 x 1/2			
165	532 19 43-30	Soporte de Tanque de Gasolina	355	532 44 86-36	Diferencial de bloqueo de pivote de campana
175	590 60 77-02	Travesaño			
176	532 40 07-76	Tornillo de 10-24 x 5/8	356	532 44 86-93	Actuador de bloqueo de diferencial de enlace
177	532 19 52-28	Buje de dirección			
179	532 16 89-37	Perno	357	532 44 86-84	Compresión del resorte
180	593 34 63-02	Chasis	358	599 12 81-01	Giratorio, Guía
182	532 40 68-59	Tablero inferior	359	584 39 34-01	Actuador Electric
183	595 30 57-01	Tornillo, 5/16-18 x 1-1/4	360	532 44 86-18	Soporte de Accionador
189	817 00 05-12	Tornillo	361	596 56 40-02	Tornillo, 3/8-16 x 0.655 Clr, Zn
191	532 43 74-55	Parte movable reflexivo (LD)	362	532 44 86-33	Clavija .375 x 2.42
194	596 13 57-01	Tuerca, Prvl, Torq, 5/16-18 x .68	365	532 44 73-68	Separador .375C.75 x .4375
195	532 40 41-37	Tapón	375	586 90 82-01	Cubierta Capota
196	532 43 96-74	Ensamble de la consola de la plataforma de elevación	378	590 84 98-01	Buje
			379	593 20 69-02	Placa Chasis
199	532 19 82-59	Chapa	--	597 33 48-01	Cubierta
202	532 43 97-28	Salida de Ventilación (LD)			
203	532 43 97-27	Salida de Ventilación (LI)			
204	587 48 58-01	Ventilación, parte superior, montaje (incluye clips)			

NOTA: Las dimensiones de todos los componentes están expresadas en pulgadas americanas. 1 pulgada = 25,4 mm

TRACTOR MODELO NO. TS 348D (96043028500), PRODUCTO NO. 960 43 02-85
TRANSMISIÓN



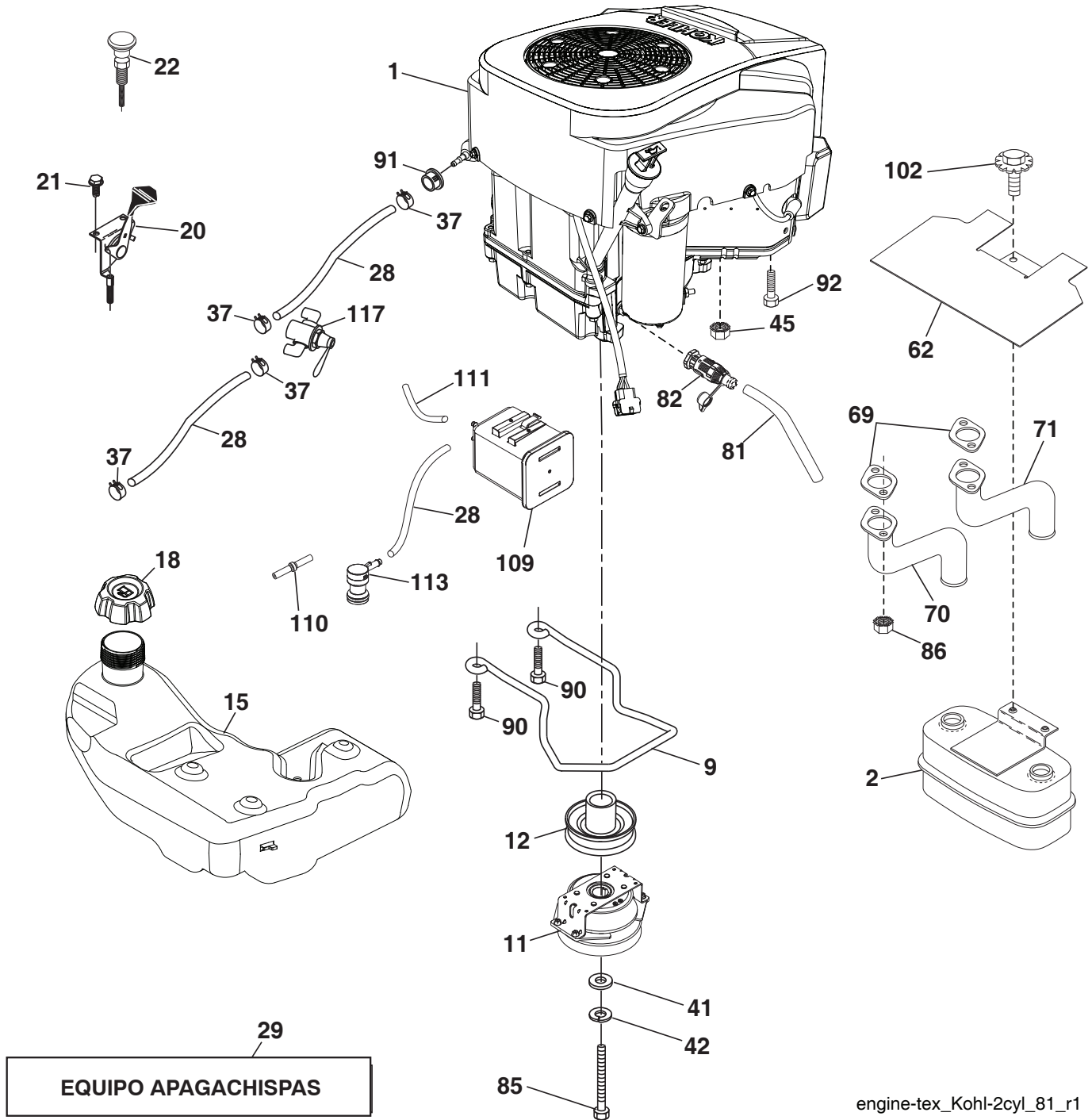
TRACTOR MODELO NO. TS 348D (96043028500), PRODUCTO NO. 960 43 02-85

TRANSMISIÓN

CÓDIGO No.	PIEZA No.	DESCRIPCIÓN	CÓDIGO No.	PIEZA No.	DESCRIPCIÓN
1	-----	Transeje, Tufftorq K66ELD (580402201) (Haga el pedido de las piezas al fabricante del transeje.)	177	587 22 53-01	Abrazadera de retención 1 In.
			183	587 58 74-01	Separador del eje
			184	587 65 37-01	Manija del freno de mano
			185	872 11 06-22	Perno 3/8-16 unc x 2-3/4 Gr 5
2	539 91 27-57	Cuña .25 x 1.25	186	532 19 43-21	Espaciador de retención
3	532 00 75-63	Arandela	187	596 13 55-01	Arandela de 13/32 x 2
7	586 93 54-02	Ruede eje la asamblea	188	582 21 70-01	Mecanismo de desplazamiento de la varilla de mando del embrague del largo
9	596 21 87-01	Perno de 7/16-14 x 1-3/8			
15	596 56 53-01	Rondelle 3/8 x 0.08			
17	532 40 10-72	Resorte de freno	189	532 19 43-17	Palanca acodada del mecanismo de desplazamiento
26	532 19 96-79	Crucero con retorno de muelle			
29	532 40 72-45	Varilla del freno	190	532 19 43-18	Sujetador de la palanca acodada del mecanismo de desplazamiento
33	812 00 00-53	Aro "E"			
35	590 60 59-02	Varilla del freno de mano	196	817 00 06-16	Tornillo 3/8-16 x 1
42	532 00 88-83	Cubierta del pedal	197	585 65 86-02	Bracket Clutch Anti-Rotation
49	596 13 62-01	Perno de 3/8-16 x 3/4	205	532 12 38-00	Arandela 1-1/32 x 1-5/8 x Calibre 16
50	532 19 43-27	Polea loca plana	206	532 44 85-96	Soporte
51	873 90 06-00	Tuerca 3/8-16	207	587 03 14-02	Bloqueo del control del crucero
52	532 19 43-26	Polea loca con ranura en V con un desplazamiento	208	596 56 41-01	Engranaje
			209	590 52 78-02	Varilla de control del crucero
56	592 85 53-01	Correa trapezoidal de la transmisión	210	532 19 78-60	Ensamble del balancín del control del pedal
64	532 19 78-65	Ensamble del eje Control del pedal de freno			
			211	532 12 01-83	Rodamiento de nylon
69	532 42 33-03	Pasador de cabello .059 x 1.125	213	532 40 31-19	Perilla de control del crucero
70	532 43 96-61	Ensamble del console	214	532 42 12-63	Forro del pedal para avanzar
73	595 31 66-01	Perno de 5/16-18	215	586 60 65-02	Forro del pedal para retroceder
74	596 13 41-01	Tornillo de 1/4-15 x 1/2	220	532 19 89-08	Reflector (LD)
80	589 33 34-02	Correa de torsión	221	532 40 31-87	Abrazadera de retención del resorte de la manija
92	595 30 57-01	Tornillo de 5/16-18 x 1-1/4			
99	582 40 47-01	Resorte	222	879 21 20-10	Arandela 21/32 x 1-1/4 x Calibre 10
116	596 13 57-01	Tuerca de 5/16-18 x .68	225	532 40 73-11	Sujetador de la correa
125	817 00 05-12	Tornillo 5/16-18 x 3/4	226	532 40 71-09	Soporte de montaje
153	532 00 44-97	Retén del resorte	282	874 49 05-48	Perno 5/16-18 x 3.0 Gr 5
159	596 02 95-01	Pasador de chaveta de 1/8 x 3/4	366	592 87 80-02	Soporte, Refuerzo, Bloqueo Diferencial, Msx431
161	532 10 57-09	Resorte de retorno del embrague			
163	532 40 72-46	Varilla de control del pedal			
166	532 42 91-64	Tuerca .625			
167	532 40 52-57	Pestillo del freno de mano			
170	532 19 43-22	Sujetador de la correa			
171	596 13 63-01	Perno 3/8-16 unc x 2			

NOTA: Las dimensiones de todos los componentes están expresadas en pulgadas americanas. 1 pulgada = 25,4 mm

**TRACTOR MODELO NO. TS 348D (96043028500), PRODUCTO NO. 960 43 02-85
MOTOR**



engine-tex_Kohl-2cyl_81_r1

**TRACTOR MODELO NO. TS 348D (96043028500), PRODUCTO NO. 960 43 02-85
MOTOR**

CÓDIGO No.	PIEZA No.	DESCRIPCIÓN
1	---	Motor Kohl modelo No. KT735-3038 (587959801)(Haga el pedido de las piezas al fabricante del motor.)
2	589 81 87-01	Silenciador
9	596 50 15-02	Ensamble del sujetador de la correa del motor
11	587 24 14-01	Embrague de eléctrico
12	532 19 43-43	Polea del motor
15	598 70 35-01	Tanque de Gasolina de 4,0 R
18	599 50 22-01	Ensamble de la tapa 3"
20	532 18 29-37	Control del regulador
21	596 32 17-01	Tornillo de #10 x 0.750
22	532 19 15-96	Control de la estrangulación del motor
28	532 40 11-35	Línea de combustible
29	532 13 71-80	Equipo apagachispas
37	532 12 34-87	Abrazadera de la manguera
41	532 12 61-97	Arandela 1-1/2 x 15/32 x .250
42	596 23 89-01	Rondelle 7/16 in. Clr. Zn
45	596 13 36-01	Tuerca de presión de 1/4-20
62	532 14 66-29	Silenciador con pantalla térmica
69	532 18 60-54	Junta
70	583 95 45-01	Tubo de escape izquierdo
71	583 95 48-01	Tubo de escape derecho
81	532 14 84-56	Tubo de drenaje
82	532 42 82-87	Drenaje de aceite de la válvula
85	501 60 69-01	Perno de 7/16-20 x 3.0 x grado 5
86	532 18 43-62	Tuerca brida hexagonal
90	817 00 06-16	Tornillo de 3/8-16 x 1
91	532 18 74-95	Buje
92	817 12 06-16	Tornillo 3/8-16 x 1
102	817 00 05-12	Tornillo 5/16-18 x 3/4
109	532 41 41-14	Filtro de carbón
110	532 41 41-18	Válvula
111	596 94 15-01	Línea de purge
113	532 41 41-27	Válvula
117	532 42 08-28	Válvula de la reserva del combustible

NOTA: Las dimensiones de todos los componentes están expresadas en pulgadas americanas. 1 pulgada = 25,4 mm

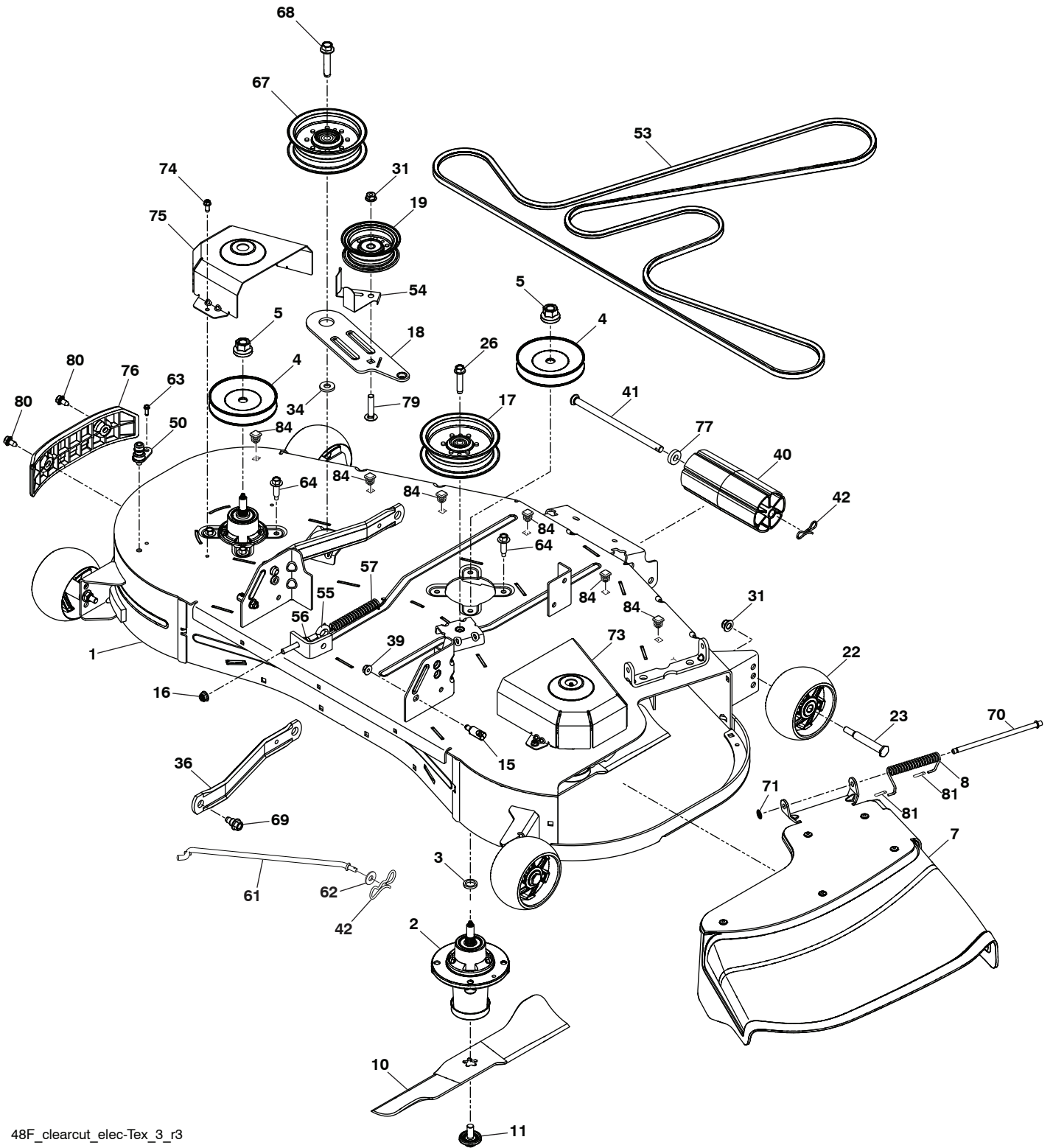
Para las piezas del servicio y de recambio del motor, llame el número gratis para su fabricante del motor enumerado abajo:
Kohler Co. 1-800-544-2444

**TRACTOR MODELO NO. TS 348D (96043028500), PRODUCTO NO. 960 43 02-85
ENSAMBLE DE LA DIRECCIÓN**

CÓDIGO No.	PIEZA No.	DESCRIPCIÓN
1	532 43 97-40	Volante de dirección
2	532 19 59-68	Ensamble del eje delantero
4	532 40 30-89	Ensamble del husillo izquierdo
5	532 40 30-90	Ensamble del husillo derecho
6	532 00 62-66	Arandela de empuje de .75 x 1.230
7	532 12 17-48	Arandela de 25/32 x 1-5/8 calibre 16
8	812 00 00-29	Abrazadera del aro No. T5304-75
9	532 12 12-32	Tapa del husillo
13	532 12 17-49	Arandela de 25/32 x 1-1/4 calibre 16
14	596 23 87-01	Arandela de .381 x .680
15	873 54 06-00	Tuerca de 3/8-24 unf
16	587 01 60-02	Eje de dirección
19	532 19 47-29	Placa de dirección
21	586 84 02-01	Adaptador del volante de dirección
22	585 02 99-01	Rodamiento
26	532 43 97-43	Inserto del volante de dirección
27	596 93 34-01	Arandela
28	817 00 06-12	Tornillo de 3/8-16 x 3/4
35	532 19 47-32	Engranaje del sector de la placa
45	587 01 64-01	Arandela 3/8 ID 2-3/8 OD calibre 12 PLTD
50	873 90 06-00	Tuerca 3/8-16 unc
53	532 18 89-67	Arandela reforzada de, 793 x 1,637 x 0,060
54	874 76 06-36	Tornillo 3/8-16 unc x 2-1/4
55	532 41 47-36	Tornillo 3/8-16 unc x 2-1/4
58	532 19 47-47	Perno de tope del sector del pivote CFM
59	532 19 47-48	Arandela de empuje del sector de dirección
60	873 97 10-00	Tuerca de 5/8-11
61	597 07 02-02	Barra de acoplamiento izquierda
62	597 07 03-02	Barra de acoplamiento derecha
63	817 00 05-12	Tornillo de 5/16-18 x 3/4
64	532 19 98-49	Abrazadera de retención del resorte de la dirección
65	532 19 47-34	Apoyo del árbol delantero
66	871 02 07-48	Perno de cabeza hexagonal con brida acanalada de 7/16-14 x 3
67	532 19 47-37	Buje PM del eje delantero
68	873 90 07-00	Tuerca de 7/16-14 grado 5
69	532 19 91-62	Arandela de 1,5 x 0,505 x 0,118
70	585 33 88-01	Soporte de la plataforma delantera
75	580 68 37-01	Piñón
76	580 68 36-01	Tornillo
78	532 05 70-79	Tuerca
122	532 44 49-62	Tapa

NOTA: Las dimensiones de todos los componentes están expresadas en pulgadas americanas. 1 pulgada = 25,4 mm

TRACTOR MODELO NO. TS 348D (96043028500), PRODUCTO NO. 960 43 02-85
PLATAFORMA DE LA CORTADORA DE CÉSPED



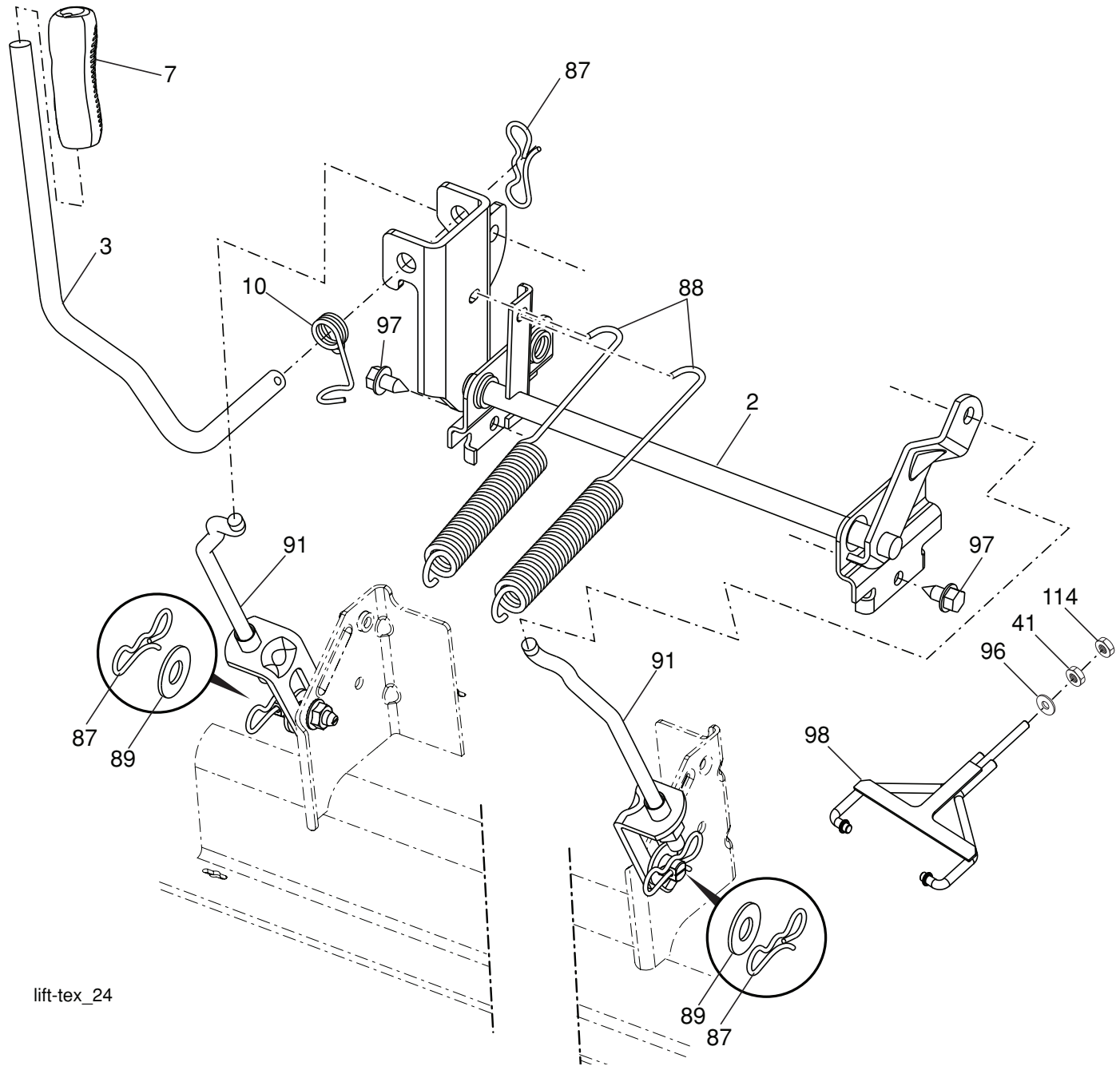
48F_clearcut_elec-Tex_3_r3

**TRACTOR MODELO NO. TS 348D (96043028500), PRODUCTO NO. 960 43 02-85
PLATAFORMA DE LA CORTADORA DE CÉSPED**

CÓDIGO No.	PIEZA No.	DESCRIPCIÓN	CÓDIGO No.	PIEZA No.	DESCRIPCIÓN
1	583 81 00-01	Plataforma De La Cortadora De Césped	55	596 24 08-01	Perno de argolla 5/16 x 3-1/2
2	539 13 18-98	Ensamble de la cubierta	56	596 03 92-01	Tuerca de presión de 5/16-18
3	532 18 76-90	Arandela	57	587 35 84-01	Resorte
4	532 17 34-34	Polea	61	596 27 44-01	Barra Antibalanceo
5	596 13 48-01	Tuerca de 9/16-18 x 1.010	62	596 13 32-01	Arandela 13/32 x 13/16 x calibre 12
7	593 64 97-01	Deflector	63	596 63 73-01	Tornillo 1/4-20 x 5/8
8	587 35 47-01	Resorte - torsión	64	584 95 39-01	Perno .313-18 x 1.19
10	588 81 10-02	Cuchilla	67	532 19 61-06	Polea
11	532 19 30-03	Perno, 7/16-20	68	596 56 40-03	Perno 3/8-16 x 1.78
15	593 82 40-01	Perno prisionero con anti rotación	69	532 19 65-39	Perno
16	594 94 44-01	Tuerca de 5/16-18	70	595 29 70-01	Varilla de la bisagra
17	532 19 61-04	Polea más ociosa	71	532 11 04-52	Tuerca
18	588 81 22-02	Brazo más ocioso	73	588 81 24-02	Cubierta del mandril lado derecho
19	532 19 31-97	Polea más ociosa	74	532 13 77-29	Tornillo 1/4-20 x 5/8
22	589 52 73-01	Rueda, calibrador	75	588 81 31-02	Cubierta del mandril lado izquierdo
23	596 43 44-04	Perno 3/8-16 x 3-5/8	76	582 54 11-03	Guarnición
26	588 43 83-01	Tornillo 7/16-14 x 2.125	77	582 36 05-01	Buje
31	873 90 06-00	Tuerca 3/8-16	79	596 13 62-01	Perno de 3/8-16 x 3/4
34	532 17 85-15	Arandela	80	532 17 01-65	Perno 5/16
36	587 14 05-02	Suspensión posterior del brazo	81	532 10 53-04	Tapa
39	596 13 57-01	Tuerca de presión de 5/16-18 x .68	84	596 95 22-01	Enchufe cuadrado
40	532 17 60-66	Rodillo de la nariz	--	532 41 64-05	Accesorio del conexión
41	594 09 25-01	Varilla de rodillo estrecho			
42	532 19 42-08	Pasador de chaveta			
50	532 41 55-98	Puerto del derrubio			
53	599 27 57-01	Correa del tractor 48 FCS			
54	532 14 10-43	Protector, correa			

NOTA: Las dimensiones de todos los componentes están expresadas en pulgadas americanas. 1 pulgada = 25,4 mm

TRACTOR MODELO NO. TS 348D (96043028500), PRODUCTO NO. 960 43 02-85
ELEVACIÓN DE LA CORTADORA DE CÉSPED



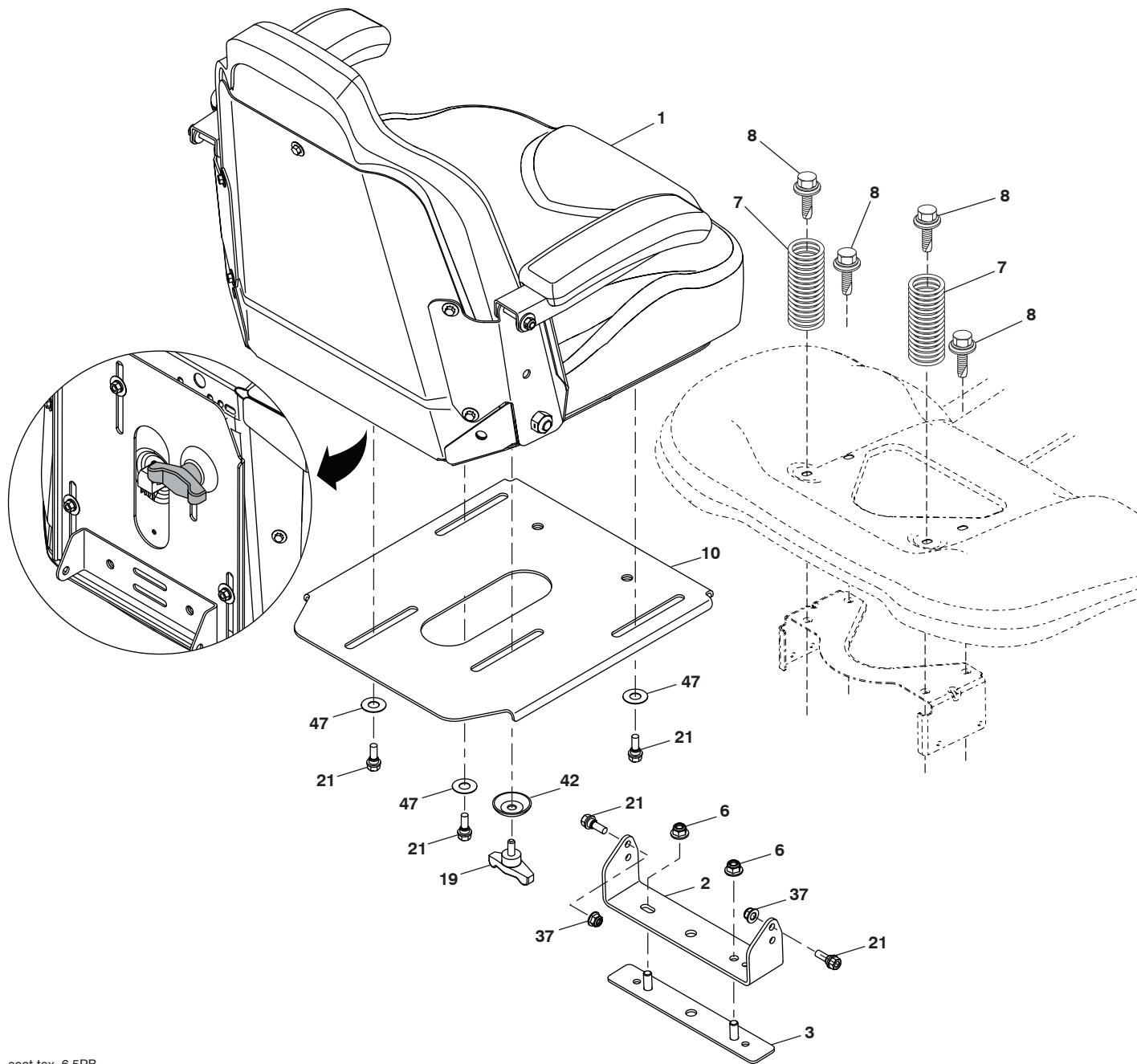
lift-tex_24

CÓDIGO No.	PIEZA No.	DESCRIPCIÓN
2	532 42 20-27	Ensamble del eje de la elevación
3	596 27 06-01	Ensemble de l'arbre de levage
7	580 96 23-01	Mango de la palanca
10	532 19 63-14	Resorte de torsión
41	589 46 49-02	Tuerca
87	532 19 42-09	Pasador de chaveta de 7/16 con bloqueo en forma de mariposa
88	532 19 53-01	Resorte de ayuda de la elevación
89	819 19 19-12	Arandela de zinc transparente
91	589 46 48-05	Ensamble del acoplamiento Elevación trasera

CÓDIGO No.	PIEZA No.	DESCRIPCIÓN
96	593 84 21-01	Buje
97	817 00 06-12	Tornillo de 3/8-16 x 0,75
98	574 82 25-01	Acoplamiento frontal de la elevación de la cortadora de césped
114	873 36 07-00	Tuerca 7/16-20

NOTA: Las dimensiones de todos los componentes están expresadas en pulgadas americanas. 1 pulgada = 25,4 mm

**TRACTOR MODELO NO. TS 348D (96043028500), PRODUCTO NO. 960 43 02-85
ENSAMBLE DEL ASIENTO**



seat-tex_6.5PB

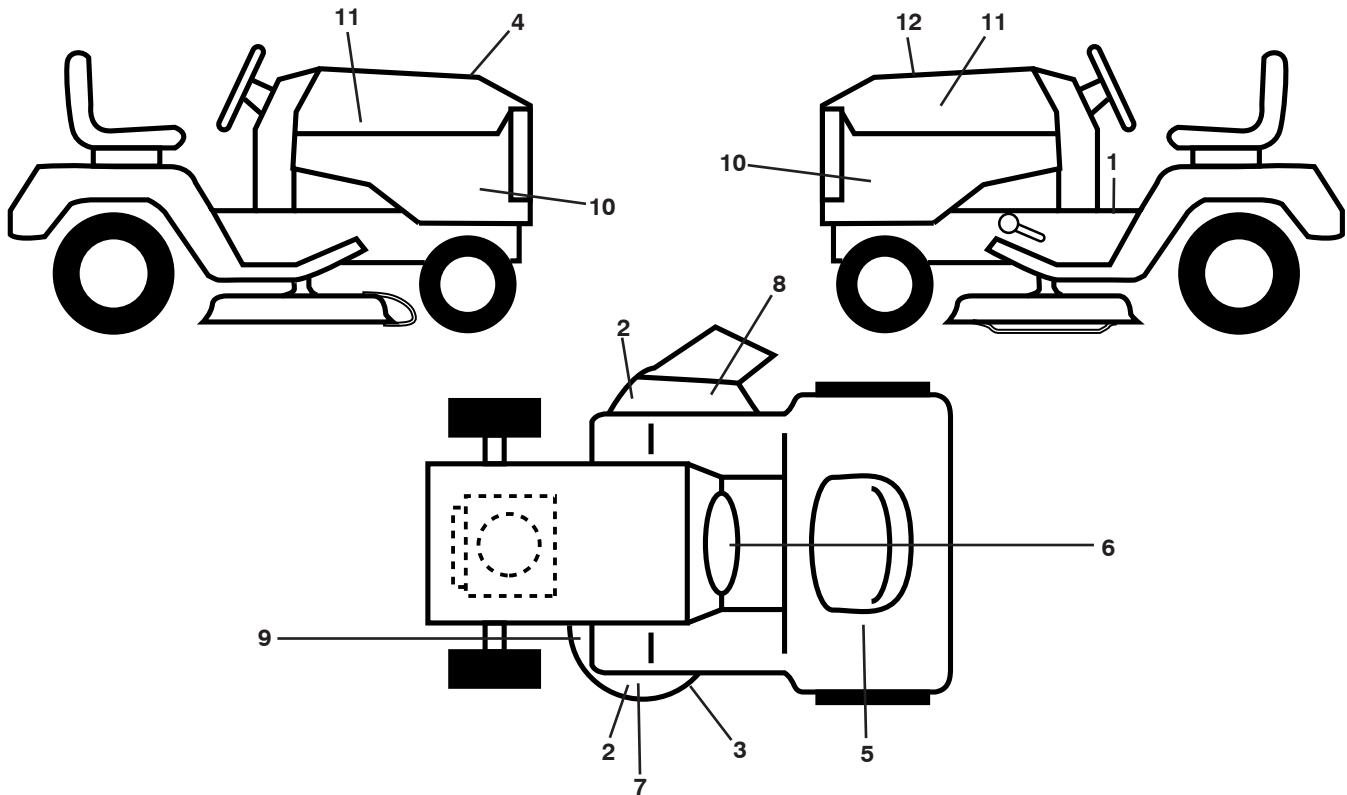
CÓDIGO No.	PIEZA No.	DESCRIPCIÓN
1	590 33 73-01	Asiento
2	590 33 66-02	Soporte pivotante del guardabarros
3	590 77 76-02	Ensamble de Soporte
6	521 99 65-02	Tuerca de 3/8-16 unc
7	590 81 23-01	Resorte del asiento
8	532 17 18-77	Perno de 5/16" unc x 3/4"
10	590 48 17-02	Bandeja del asiento
19	590 69 15-01	Perilla de Asiento

CÓDIGO No.	PIEZA No.	DESCRIPCIÓN
21	596 23 11-01	Perno de 5/16-18 x .910
37	594 94 44-01	Tuerca de 5/16-18
42	532 19 93-71	Arandela
47	590 35 11-01	Arandela de nylon de 50 x 1.12 x .033

NOTA: Las dimensiones de todos los componentes están expresadas en pulgadas americanas. 1 pulgada = 25,4 mm

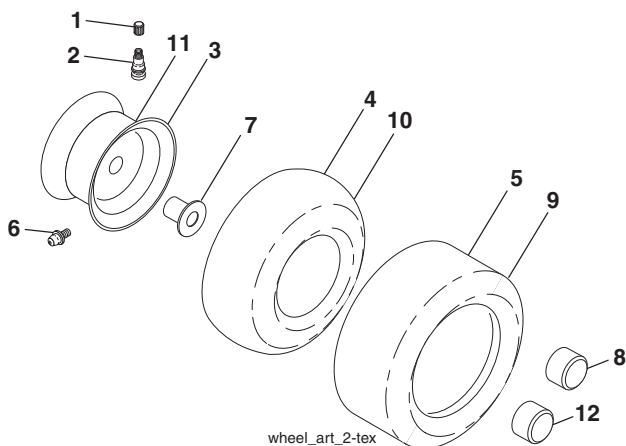
TRACTOR MODELO NO. TS 348D (96043028500), PRODUCTO NO. 960 43 02-85

CALCOMANÍAS



CÓDIGO No.	PIEZA No.	DESCRIPCIÓN	CÓDIGO No.	PIEZA No.	DESCRIPCIÓN
1	581 57 89-01	Calcomanía, Advertencia	10	593 12 46-01	Calcomanía para el panel lateral
2	589 35 79-01	Calcomanía, Ningún paso	11	581 62 73-01	Calcomanía para la capota, logo
3	581 58 00-02	Calcomanía del diagrama de la cortadora de césped	12	593 09 74-01	Calcomanía de reemplazo
4	532 42 38-29	Calcomanía, Advertencia	--	581 72 48-01	Calcomanía para la desviación
5	587 01 51-01	Calcomanía, Cuidado	--	532 43 98-82	Forro del apoyo para los pies izquierdo
6	596 02 42-01	Calcomanía, Advertencia	--	532 43 98-81	Forro del apoyo para los pies derecho
7	590 88 50-01	Calcomanía, 48" corte claro	--	115 97 51-49	Manual del operario (Inglés/Español)
8	586 97 88-01	Calcomanía, Advertencia	--	115 97 52-49	Manual de repuestos (Inglés/Español)
9	592 89 83-01	Calcomanía, Garantía de cubierta	--	587 71 00-26	Manual de QSG (Inglés/Español)

WHEELS AND TIRES



CÓDIGO No.	PIEZA No.	DESCRIPCIÓN
1	532 05 91-92	Tapa de la válvula del neumático
2	532 06 51-39	Vástago de la válvula
3	532 18 18-39	Ensamble de las llantas delanteras
4	532 00 81-34	Cámara delantera
5	532 10 62-30	Neumático delantero 16 x 6.5
6	532 00 02-78	Accesorio para engrasar (solo para la rueda delantera)
7	532 00 90-40	Rodamiento de la brida (solo para la rueda delantera)
8	532 17 50-39	Tapa del eje frente
9	532 10 55-88	Neumático trasero 23 x 10.5-12
10	532 00 71-54	Cámara trasera (Mantenimiento sólo)
11	532 14 45-10	Ensamble trasero de la llanta
12	501 50 31-01	Tapa del eje trasero negro
--	532 14 43-34	Sellador para neumáticos (tubo de 10 onzas [283 gr])

NOTA: Las dimensiones de todos los componentes están expresadas en pulgadas americanas. 1 pulgada = 25,4 mm

NOTES/AVISO



www.husqvarna.com