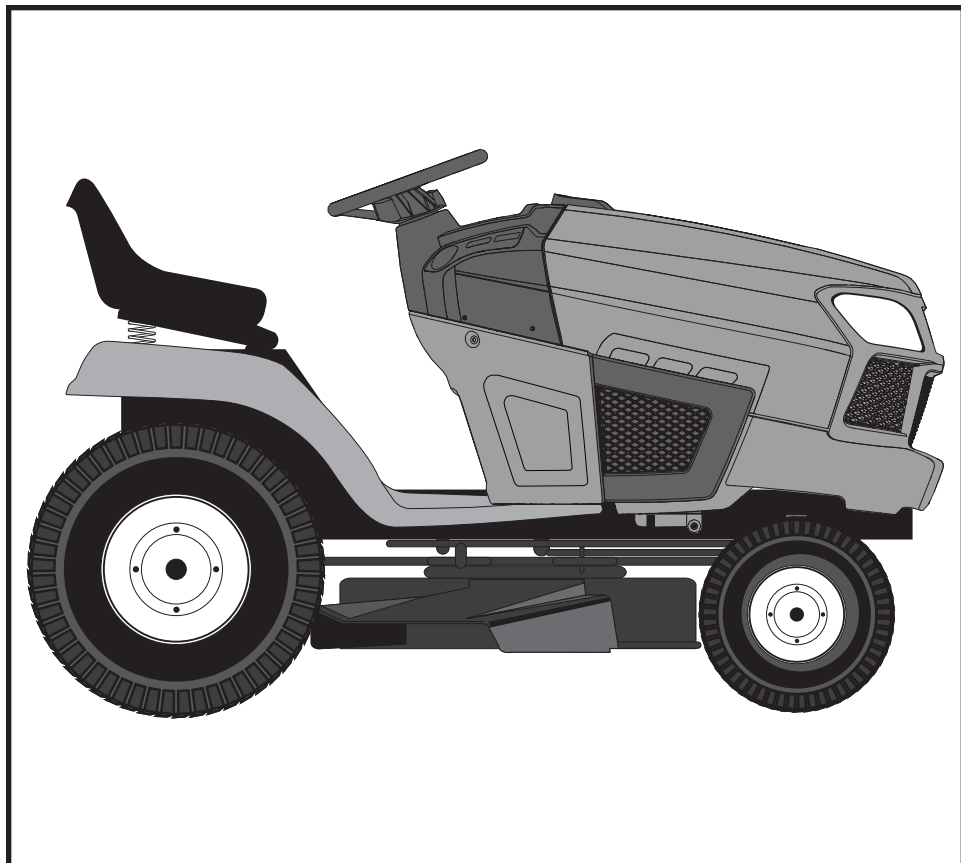


SEARS
REPAIR
PARTS
MANUAL

**MODEL NO.
944.101060**

**IMPORTANT:
Read and follow
all Safety Rules
and Instructions
Before Operating
This Equipment**



CRAFTSMAN®

**22 HP*
ELECTRIC START
42" MOWER
AUTOMATIC TRANSMISSION
LAWN TRACTOR**

* The power rating as declared by the engine manufacturer is the average gross power output at the specified RPM of a typical production engine for the engine model measured using SAE Standards for engine gross power. Please refer to the engine manufacturer for details.

Sears Canada, Inc., Toronto, Ontario M5B 2B8

115816924 Rev. 5

10.06.17 JSE
Printed in the U.S.A.

HOW TO USE THIS MANUAL

This manual is designed to provide the customer with a means to identify the parts on his/her tractor when ordering repair parts. The illustrations may or may not represent the actual assemblies; therefore, it is not recommended to use this manual as a guide to assemble or disassemble the tractor. Some hardware and parts are drawn larger in order to more readily identify them.

Each tractor has its own model number.

The model number for your tractor can be found on the fender under the seat.

When ordering parts, always give the following information:

- Product - "Tractor"
- MODEL NUMBER - "944.101060"
- Part Number
- Part Description

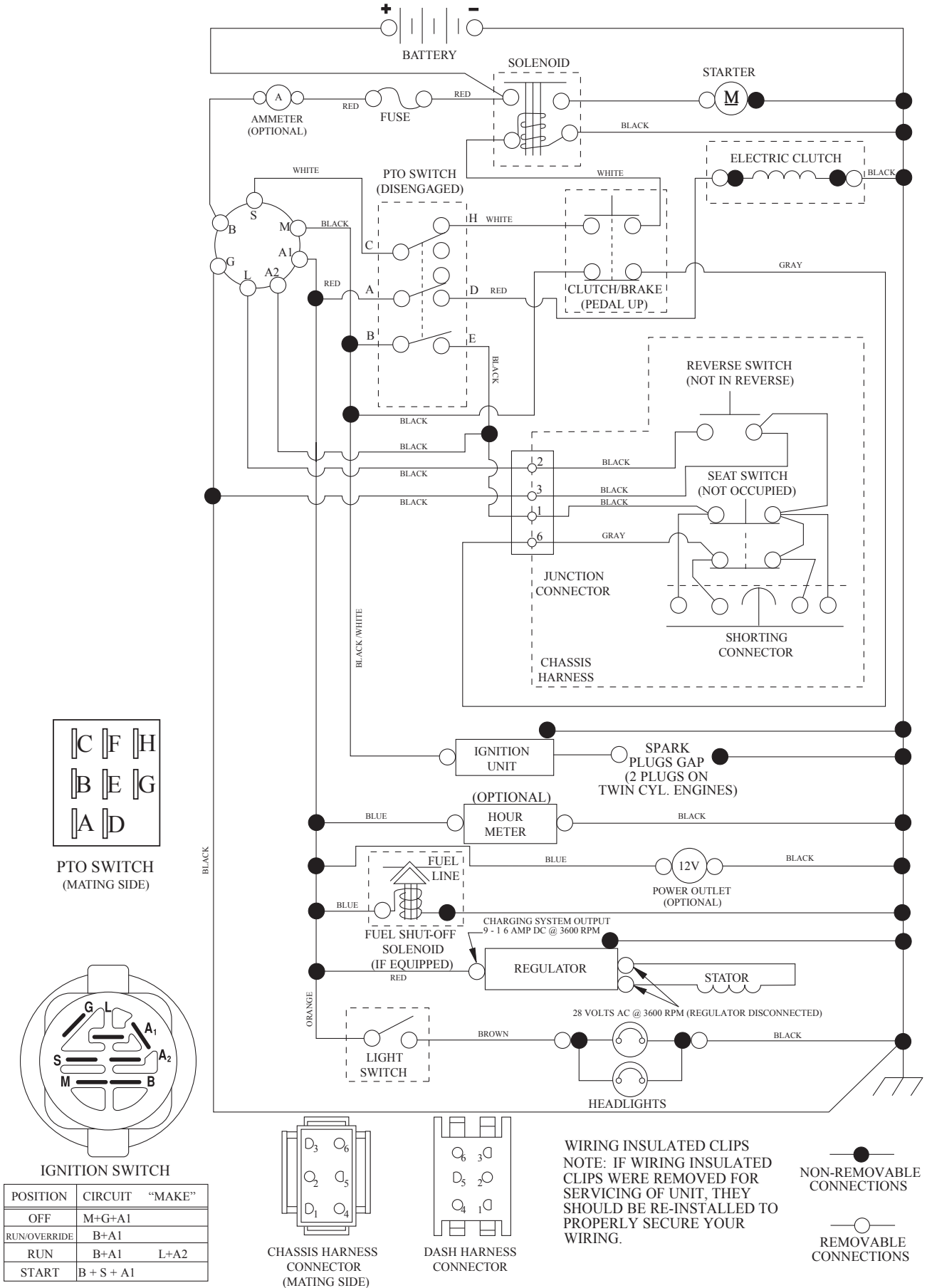
TABLE OF CONTENTS

SCHEMATIC	3
ELECTRICAL.....	4-5
CHASSIS	6-7
DRIVE.....	8-9
ENGINE.....	10-11
STEERING	12-13
MOWER DECK	14-15
MOWER LIFT.....	16
SEAT	17
DECALS.....	18
ENGINE BREAKDOWN.....	19-23
TRANSAXLE BREAKDOWN	24-25
WARRANTY.....	26
SEARS SERVICE	28

TRACTOR - - MODEL NUMBER 944.101060

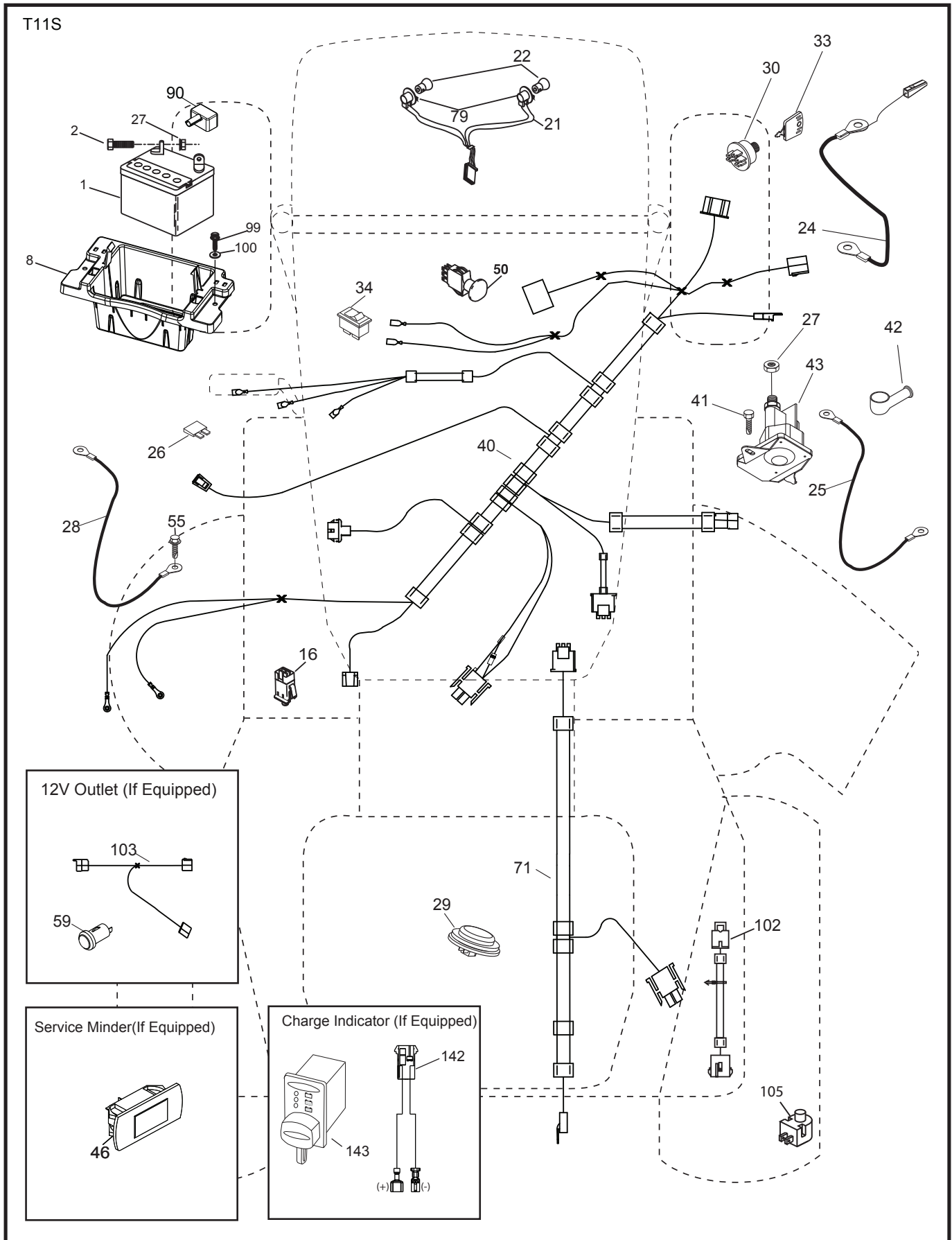
SCHEMATIC

SCH12



TRACTOR - - MODEL NUMBER 944.101060

ELECTRICAL



TRACTOR - - MODEL NUMBER 944.101060

ELECTRICAL

KEY NO.	PART NO.	DESCRIPTION
1	163465	Battery
2	74760412	Bolt Hex Hd 1/4-20 unc x 3/4
8	587205101	Box Battery
16	176138	Switch Interlock Push-In
21	400252	Harness Socket Light w/4152J
22	4152J	Bulb Light
24	585555601	Cable Btry.
25	585555501	Cable Starter
26	175158	Fuse
27	73510400	Nut Keps Hex 1/4-20 unc
28	416588	Cable, Ground
29	401545	Switch, Seat
30	193350	Switch, Ign
33	411934	Key/Chain
34	110712X	Switch Light / Reset
40	501132901	Harness Ign. Dash
41	17720408	Screw Thd Cut 1/4-20 x 1/2
42	131563	Cover, Terminal
43	192507	Solenoid
46	586161801	Gauge SRVCMNDR HRMTR
50	582107602	Switch PTO
55	17060512	Screw Thdrol 5/16-18 x 3/4 TYTT
71	194276	Harness Ign. Chassis
79	175242	Bulbholder Asm. Incan Descent
90	435395	Cover Terminal Battery
99	17670412	Screw Hexwsh Thdrol 1/4-20 x 3/4
100	19091416	Washer 9/32 x 7/8 16 Ga.
102	404454	Harness Pigtail
105	407568	Switch Reverse

NOTE: All component dimensions given in U.S. inches
1 inch = 25.4 mm

TRACTOR - - MODEL NUMBER 944.101060

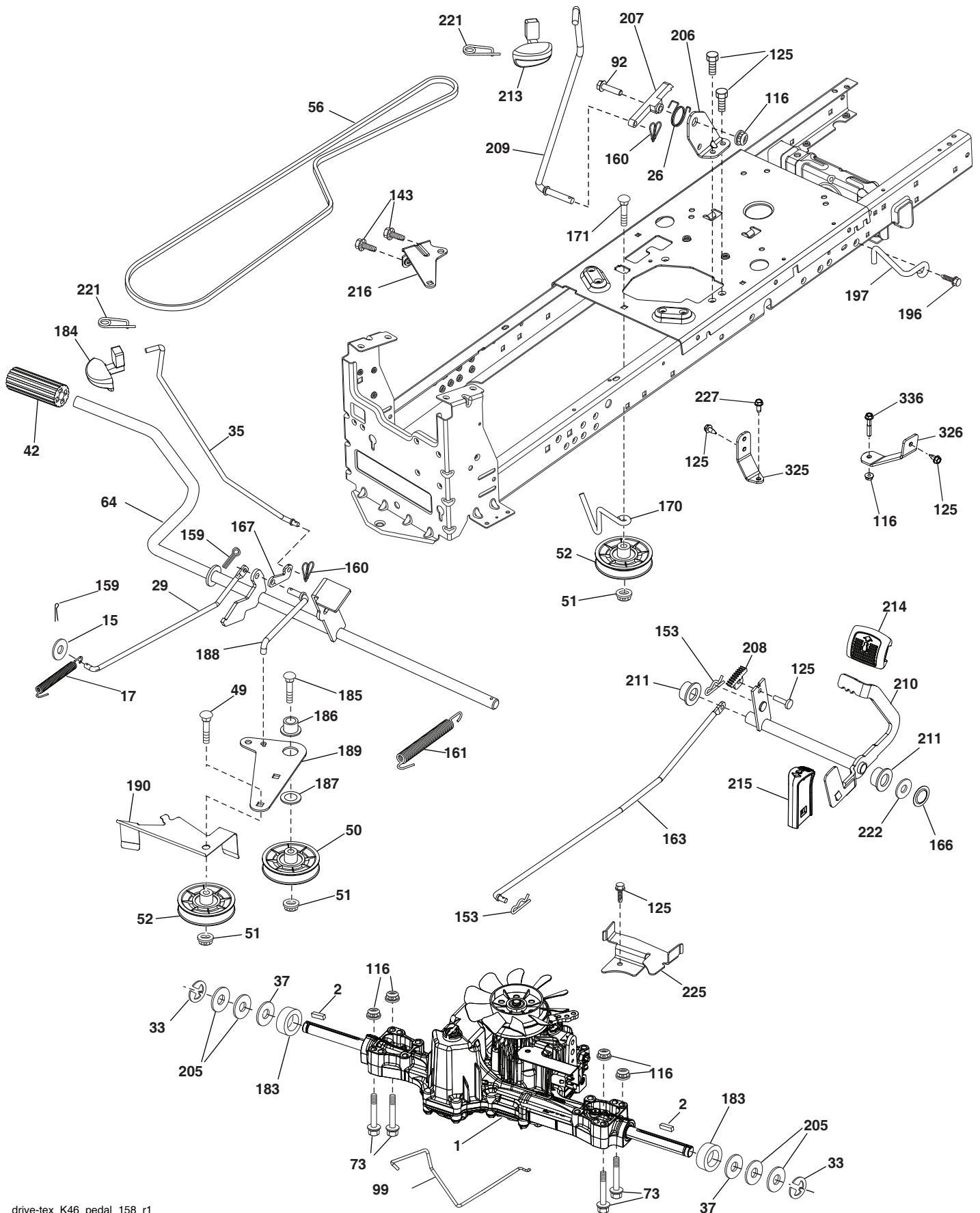
CHASSIS

KEY PART NO. NO.	DESCRIPTION	KEY PART NO. NO.	DESCRIPTION		
5	580485906	Dash	183	74520520	Bolt 5/16-18 x 1-1/4
14	580354407	Hood	189	17000512	Screw 5/16-18 x 3/4
15	580485601	Lens LH	191	580485101	Mylar Headlight/Reflective Lens RH
18	580485302	Grille	194	73900500	Nut Lock Hex Flange 5/16-18
25	580484501	Lens RH	195	401556X428	Plug Hole Dash 12V Adapter
34	580910801	Plate engine	196	431658	Console Asm. Deck Lift
35	19111116	Washer 11/32 x 11/16 x 16 Ga.	202	580485002	C-Closeout Lwr Trm RH
36	17060512	Screw 5/16-18 x 3/4	203	580484802	C-Closeout Lwr Trm LH
37	414878X428	Fender	204	580484701	Hood Top Vent
52	73680500	Nut Crown lock 5/16-18	205	580843707	Assembly Corner RH
68	17490508	Screw Thdrol 5/16-18 x 1/2	206	580843807	Assembly Corner LH
102	4497H	Retainer Spring 1"	213	74760512	Bolt hex HD 5/16-18 unc x 3/4
125	581684801	Clip Fuel Line	218	580897301	Pivot Hood Assy
130	416358	Screw # 10 x .750 BOS Thread	228	195161	Stud Fastener
137	407590	Bumper Dash	235	406129	Spacer Fender
138	193224X428	Cupholder	236	73930500	Nut Center Lock 5/16-18
146	581857901	Bolt	287	17600406	Screw Hex Washhead 1/4-20 x 3/8
150	585238002	Duct Heat Hood	297	580484901	Mylar Headlight/Reflective Lens LH
151	580663302	Bracket Pivot	298	580851001	Nut Push
152	199535	Shield Browning/Debris	306	73900600	Nut Lock
159	17000612	Screw Hexwsh Thdr 3/8-16 x 3/4	335	580484602	C-Side Closeout RH
161	193229X428	Console Fuel Window	336	580484402	C-Side Closeout LH
162	142432	Screw Hex Wsh Hi-Lo 1/4 x 1/2	350	445143	Clip X-Mass Tree
165	196826	Support Tank Rear	363	580724501	Cap Talon Grille
175	196304	Crossmember	364	17060408	Screw
176	400776	Screw 10-24 x 5/8 Wshd Qdrx	369	421756	Screw #10 x 0.500 BOS Thread
177	195228	Bushing Steering			
180	195457	Chassis			
181	193102X428	Bushing Mtg. Fender Crgo.			
182	406859	Dash Lower			

NOTE: All component dimensions given in U.S. inches
1 inch = 25.4 mm

TRACTOR - - MODEL NUMBER 944.101060

DRIVE



TRACTOR - - MODEL NUMBER 944.101060

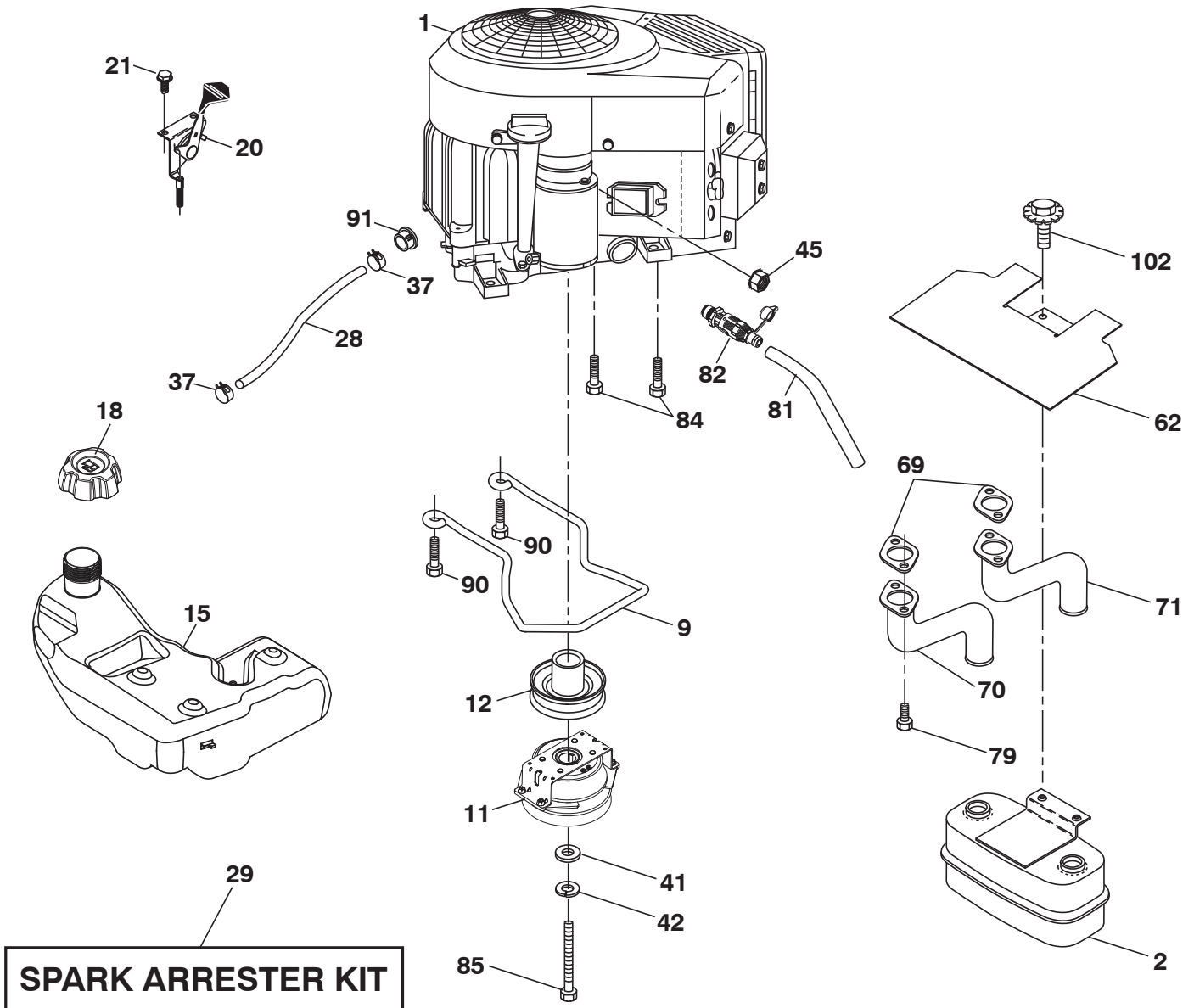
DRIVE

KEY NO.	PART NO.	DESCRIPTION	KEY NO.	PART NO.	DESCRIPTION
1	---	Transaxle, Tufftorq K46BT (426120) (See Transaxle Breakdown.)	183	137057	Spacer Split
2	123583X	Key	184	196439X428	Handle Parking Brake
15	19131316	Washer 13/32 x 13/16 x 16 Ga.	185	72110622	Bolt Rdhd Sqnk 3/8-16 x 2-1/2
17	413678	Spring, Brake	186	194321	Spacer Retainer
26	199679	Spring Return Cruise	187	19133210	Washer
29	403806	Rod, Brake	188	582217001	Link Clutch Ground Drive, Long
33	12000001	Ring E	189	194317	Bellcrank Ground Drive
35	583864501	Rod, Brake, Park	190	194318	Keeper Bellcrank Ground Drive
37	188967	Washer	196	17000616	Screw 3/8-16 x 1
42	8883R	Cover, Foot Pedal	197	585658601	Link Clutch Anti-Rotation
49	72110614	Bolt	205	121748X	Washer
50	194327	Pulley Idler Flat	206	448596	Bracket Mount Latch Cruise
51	73900600	Lock Nut 3/8-16	207	587031401	Latch Control Cruise
52	194326	Idler V-Groove	208	197869	Gear Sector Control Cruise
56	130969	V-Belt, Drive	209	199592	Rod Control Cruise
64	197865	Shaft Asm. Pedal Brake Control	210	400980	Rocker Asm. Pedal Control
73	74490540	Bolt 5/16-18 x 2-1/2 Gr. 5	211	120183X	Bearing Nylon
92	74760520	Bolt Fin Hex 5/16-18 unc x 1.25	213	196441X428	Knob Control Cruise
99	415742	Rod Spring Bypass	214	421263	Pedal Forward
116	73900500	Nut Lock Hex Flange 5/16-18	215	197301X428	Pedal Reverse
125	17000512	Screw 5/16-18 x 3/4	216	196131	Bracket Pulley Idler
143	17490508	Screw 5/16-18 x 1/2	221	403187	Retainer Spring Clip Handle
153	4497H	Retainer Spring	222	79212010	Washer 21/32 x 1-1/4 x 10 Ga.
159	76020412	Pin Cotter 1/8 x 3/4	225	403319	Keeper Belt Trans.
160	169484	Retainer Clip	227	17490512	Screw Thdrol. 5/16-18 x 3/4
161	105709X	Spring, Return, Clutch	325	585668502	Torque Strap K46 LT RH
163	448275	Rod Pedal Control	326	585670802	Bracket TRQ STP 46 20" Tire RH
166	429164	Nut Push .625	336	587259601	Bolt 5/16 - 18 x 1-3/4 Flanged
167	405257	Latch Brake Parking			
170	194322	Keeper Belt Centerspan			
171	72110616	Bolt 3/8-16 x 2			

NOTE: All component dimensions given in U.S. inches
1 inch = 25.4 mm

TRACTOR - - MODEL NUMBER 944.101060

ENGINE



engine-tex_bs-2cyl_155

TRACTOR - - MODEL NUMBER 944.101060

ENGINE

KEY NO.	PART NO.	DESCRIPTION
1	-----	Engine B&S Model No. 44R677-0026-G1 (586607601)(See Engine Breakdown.)
2	445962	Muffler
9	501832601	Keeper Belt Engine
11	587241501	Clutch Electric
12	405097	Pulley Engine
15	532438025	Tank Fuel
18	585124802	Cap Fuel
20	421473X428	Control Throttle
21	416358	Screw 10 x .750 BOS Thread
28	401135	Fuel Line
29	137180	Spark Arrester Kit
37	123487X	Clamp Hose
41	126197X	Washer 1-1/2 x 15/32 x .250
42	10040700	Washer Lock 7/16
45	73510400	Nut Keps Hex 1/4-20 unc
62	434017	Shield Heat Muffler
69	165391	Gasket
70	581881101	Exhaust Tube LH
71	581881001	Exhaust Tube RH
79	183906	Screw 5/16-18 x .75
81	148456	Tube Drain Oil Easy
82	428287	Valve Oil Drain
84	17060620	Screw 3/8-16 x 1-1/4
85	581332804	Bolt 7/16-20 x 3.5 Gr. 5
90	17000616	Screw 3/8-16 x 1.0
91	187495	Bushing
102	17000512	Screw 5/16-18 x 3/4

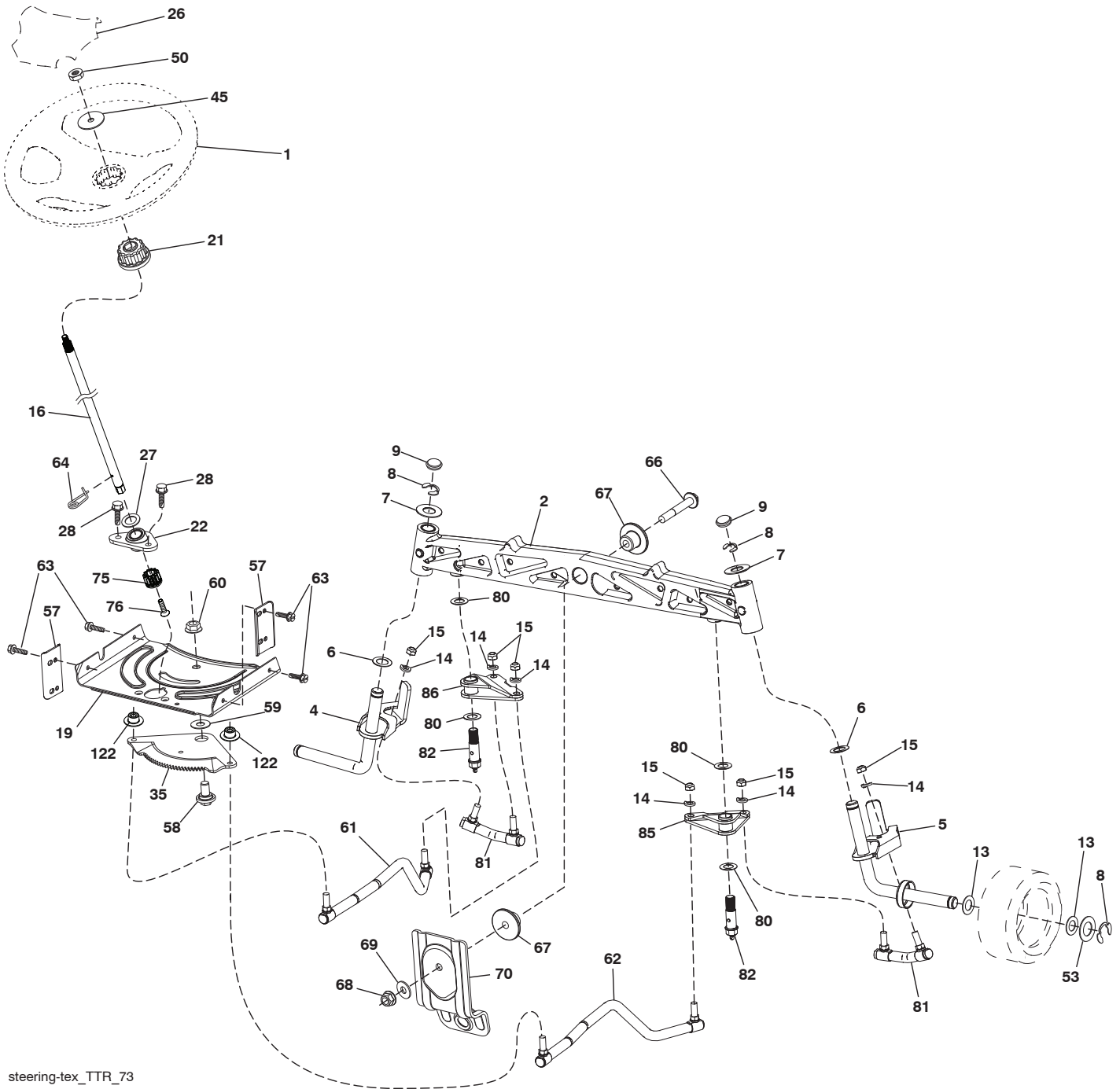
NOTE: All component dimensions given in U.S. inches
1 inch = 25.4 mm

Engine Power Rating Information

The gross power rating for individual gas engine models is labeled in accordance with SAE (Society of Automotive Engineers) code J1940 (Small Engine Power & Torque Rating Procedure), and rating performance has been obtained and corrected in accordance with SAE J1995 (Revision 2002-05). Torque values are derived at 3060 RPM; horsepower values are derived at 3600 RPM. Actual gross engine power will be lower and is affected by, among other things, ambient operating conditions and engine-to-engine variability. Given both the wide array of products on which engines are placed and the variety of environmental issues applicable to operating the equipment, the gas engine will not develop the rated gross power when used in a given piece of power equipment (actual "on-site" or net power). This difference is due to a variety of factors including, but not limited to, accessories (air cleaner, exhaust, charging, cooling, carburetor, fuel pump, etc.), application limitations, ambient operating conditions (temperature, humidity, altitude), and engine-to-engine variability. Due to manufacturing and capacity limitations, Briggs & Stratton may substitute an engine of higher rated power for this Series engine.

TRACTOR - - MODEL NUMBER 944.101060

STEERING ASSEMBLY



steering-tex_TTR_73

TRACTOR - - MODEL NUMBER 944.101060

STEERING ASSEMBLY

KEY NO.	PART NO.	DESCRIPTION
1	414803X428	Wheel, Steering
2	436870	Axle Asm., Front
4	436873	Spindle Asm., LH
5	436874	Spindle Asm., RH
6	6266H	Washer Thrust 0.75 x 1.23
7	121748X	Washer 25/32 x 1-5/8 x 16 Ga.
8	1200029	Ring, Klip #T5304-75
9	184946X667	Cap, Spindle
13	121749X	Washer 25/32 x 1-1/4 x 16 Ga.
14	10040600	Washer, Lock 3/8
15	73540600	Nut, Crown Lock 3/8-24 unf
16	587016002	Shaft Steering
19	194729	Plate Steering
21	586840201	Adapter, Wheel Steering Splnd Alum
22	585029901	Bearing Subasm Shaft Steer Low
26	414852X428	Insert, Wheel Steering
27	19211616	Washer 21/32 x 1 x 16 Ga.
28	17000612	Screw 3/8-16 x 3/4
35	440770	Gear, Sector Plate
45	587016401	Washer 3/8 ID 2-3/8OD 12 Ga. PLTD
50	73900600	Nut Lock Flg. 3/8-16 unc
53	188967	Washer Hardened .793 x 1.637 x .060
57	407465	Bracket Upstop
58	194747	Bolt Shoulder Sector Pivot CFM
59	194748	Washer Thrust Sector Steering
60	73971000	Nut Flange Lock 5/8-11
61	436884	Draglink, LH
62	436885	Draglink, RH
63	17000512	Screw 5/16-18 x 3/4
64	199849	Retainer Clip Spring Steering
66	71020748	Bolt Hex Fghd 7/16-14 x 3 Serr
67	194737	Bushing PM Front Axle
68	73900700	Nut Lock Flange 7/16-14 Gr. 5
69	199162	Washer 1.5 x .505 x .118
70	585338801	Bracket Deck Susp. Front
75	580683701	Pinion
76	580683601	Screw Head Sock
80	1370H	Washer
81	436887	Link Cross RH
82	442147	Pivot Bolt
85	441873	Pivot RH
86	441872	Pivot LH
122	444962	Cap Gear Sector

NOTE: All component dimensions given in U.S. inches
1 inch = 25.4 mm

TRACTOR - - MODEL NUMBER 944.101060

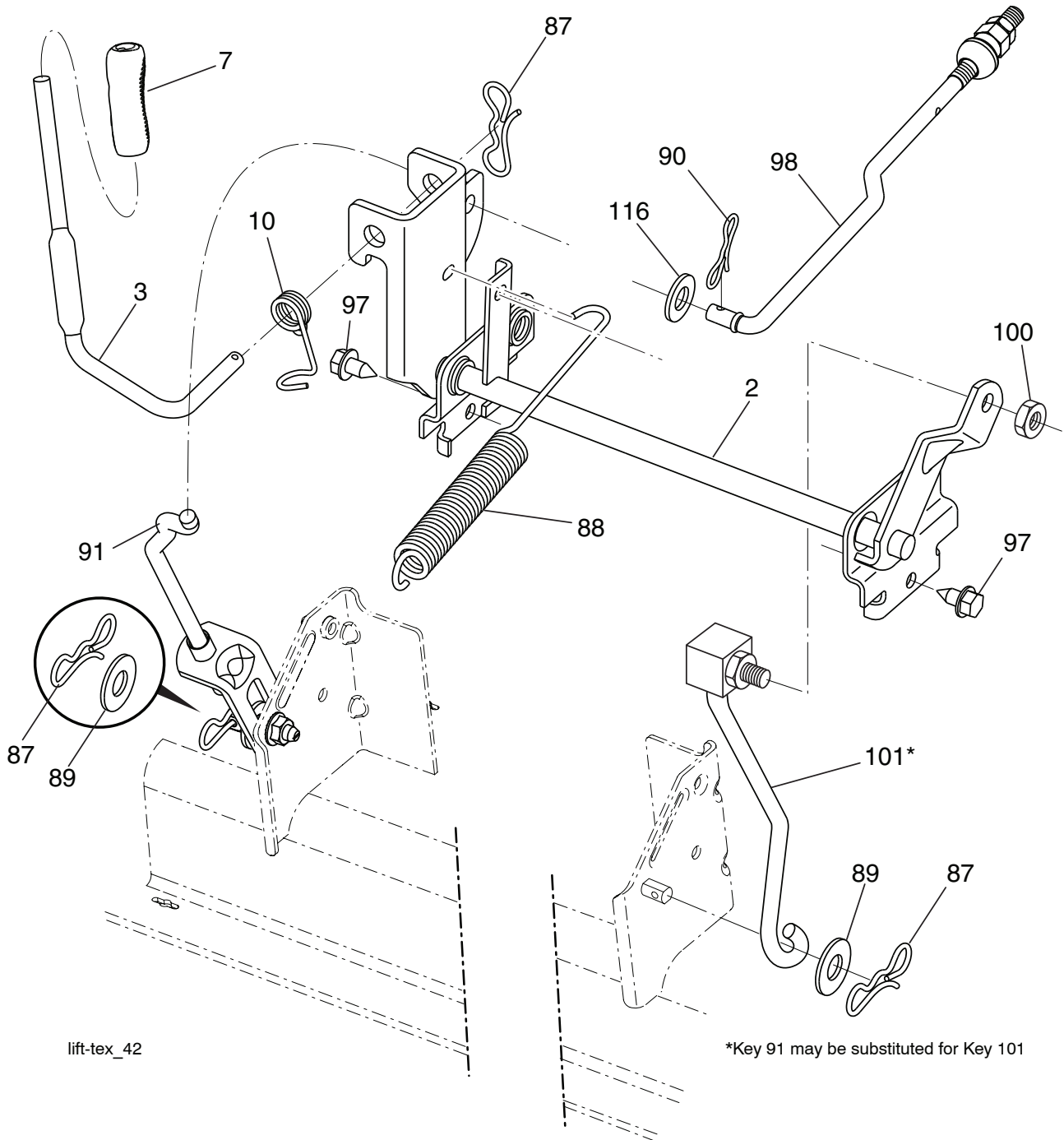
MOWER DECK

KEY NO.	PART NO.	DESCRIPTION
1	196495X613	Mower Housing
2	72140506	Bolt RDHD.SQNK. 5/16-18 unc x 3/4
6	195186	Arm Suspension
11	424752	Blade, 3N1
--	422719	Blade
--	134149	Blade
--	139775	Blade
--	138971	Blade
12	584309301	Screw
13	587256501	Shaft Assembly, Mandrel
14	187281	Housing, Mandrel
15	585323901	Bearing, Mandrel
19	196539	Bolt, Shoulder
20	159770	Baffle Vortex
21	73680500	Nut, Crownlock 5/16-18 unc
23	192557	Bracket, Deflector
24	105304X	Cap, Sleeve
25	197026	Spring, Torsion, Deflector
26	110452X	Nut, Push
27	424469	Shield, Deflector
29	131491	Rod, Hinge
32	153535	Pulley, Mandrel
33	400234	Nut, Toplock, Flanged
34	72110612	Bolt Carr Sh. 3/8-16 x 1-1/2 Gr. 5
36	197379	Pulley Idler
40	73900600	Nut, Lock Flg. 3/8-16 unc
41	584953901	Bolt Hex Washer HD .313-18 x1.19
55	437110	Arm, Idler
56	199092	Spacer, Retainer
57	17000616	Screw Hexwsh Thd 3/8-16 x 1
59	141043	Guard, Tuv Idler (94)
62	72110616	Bolt Rdhd Sqnk 3/8-16 unc x 2
68	144959	V-Belt
69	72140505	Bolt Rdhd Sqnk 5/16-18 x 5/8
111	404784	Bracket, Gauge Wheel LH
112	404785	Bracket, Gauge Wheel RH
113	17000510	Screw 5/16-18
116	4898H	Bolt, Shoulder
117	188606	Wheel, Gauge
119	19121414	Washer 13/32 x 7/8 x 14 Ga.
145	193197	Pulley, Idler, Flat
188	195161	Stud Fastener
189	73900500	Nut Lock Hex Flange
190	197251	Spring Mower Drive
241	152927	Screw
242	415598	Washout Port
--	416405	Coupling, Quick
--	586671301	Replacement Mower, Complete
--	587253301	Mandrel Assembly (Includes housing (key#14), shaft assembly (key#13), and bearing only (key#15) - pulley/nut/washer and blade bolt/washers not included)

NOTE: All component dimensions given in U.S. inches
1 inch = 25.4 mm

TRACTOR - - MODEL NUMBER 944.101060

MOWER LIFT



lift-tex_42

*Key 91 may be substituted for Key 101

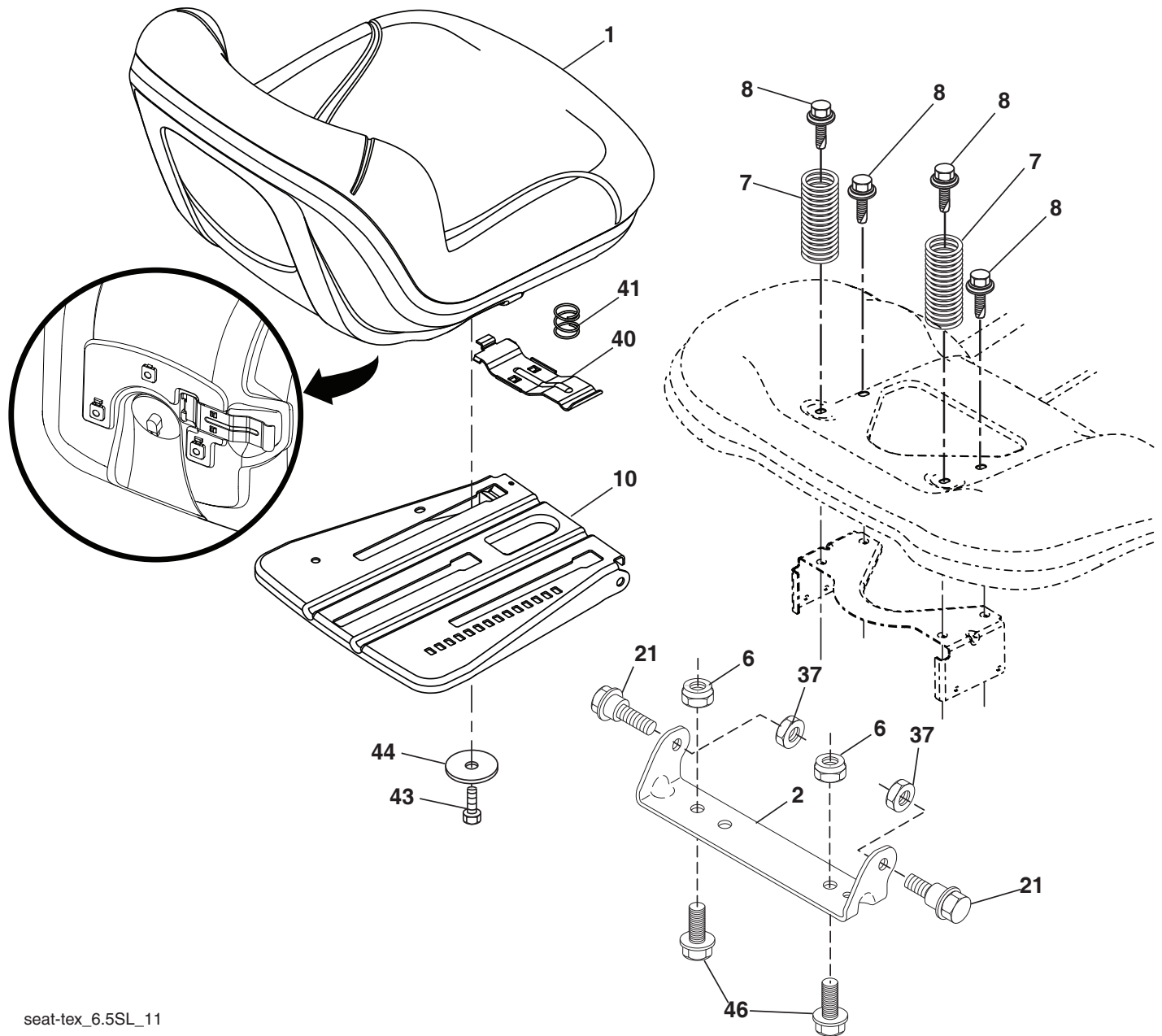
KEY NO.	PART NO.	DESCRIPTION
2	422027	Shaft Asm., Lift
3	426896	Lever Asm., Lift RH
7	445060X428	Grip, Lever
10	196314	Spring Torsion
87	194209	Pin Cotter 7/16 Bow Tie Lock
88	410710	Spring Lift Assist
89	19191912	Washer Clear Zinc
90	194208	Pin Cotter 5/16 Bow Tie Lock
91	195181	Link Lift Susp Mower Rear

KEY NO.	PART NO.	DESCRIPTION
97	17000612	Screw 3/8-16 x .75
98	195270	Link Lift Susp. Front Mower
100	73930600	Nut Centerlock 3/8-16 unc
101	407003	Link Asm Lift Fxd
116	19151516	Washer 15/32 x 15/16 x 16 Ga.

NOTE: All component dimensions given in U.S. inches
1 inch = 25.4 mm

TRACTOR - - MODEL NUMBER 944.101060

SEAT ASSEMBLY



seat-tex_6.5SL_11

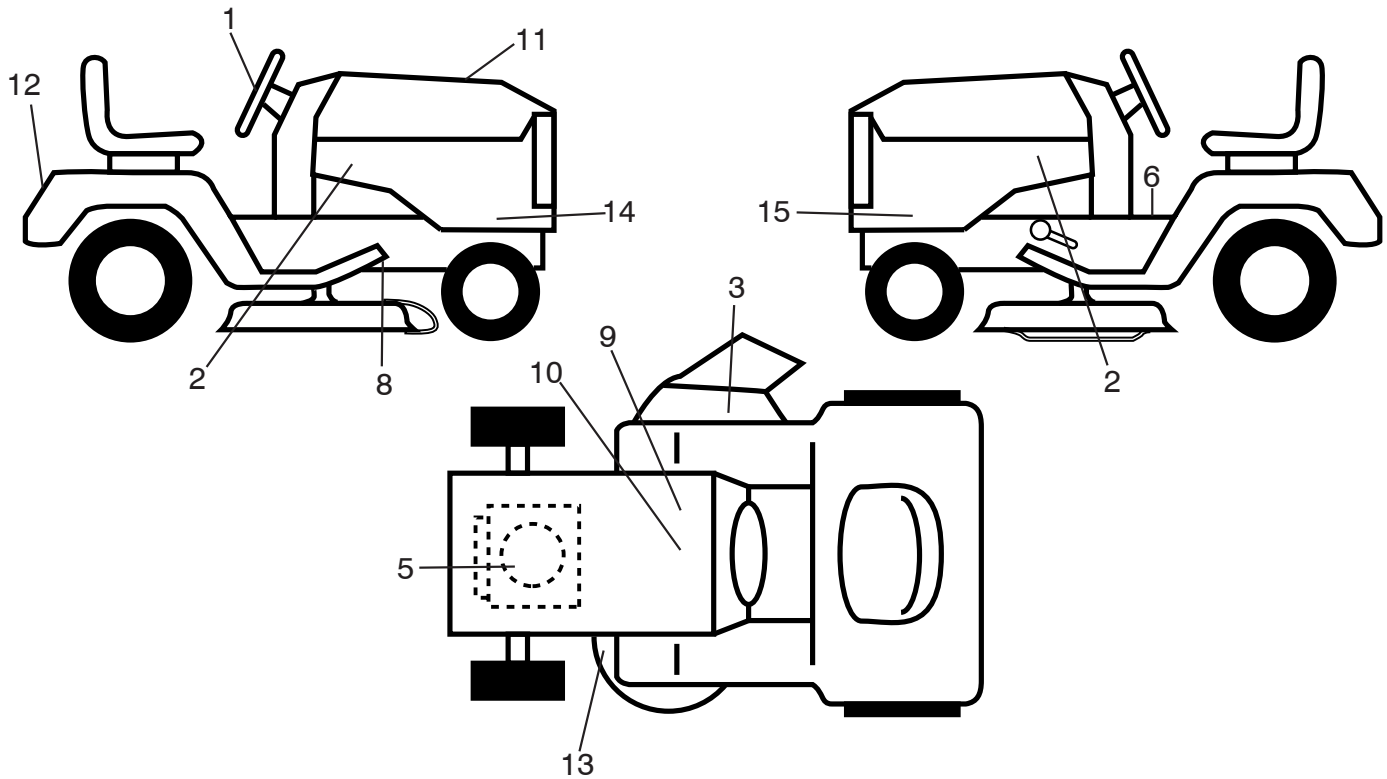
KEY PART NO.	PART NO.	DESCRIPTION
1	586507601	Seat
2	180166	Bracket Pivot Fender
6	73800600	Nut, Lock W/Ins. 3/8-16 unc
7	587613301	Spring, Seat Cprsn
8	171877	Bolt 5/16-18 uncx 3/4 w/Sems
10	196977	Pan, Seat
21	587907801	Bolt, Shoulder 5/16-18 X 5/8
37	73800500	Nut, Lock 5/16-18 unc

KEY PART NO.	PART NO.	DESCRIPTION
40	197661	Handle Slide Seat
41	198200	Spring Latch Seat
43	74760612	Bolt 3/8-16 x 3/4
44	19133812	Washer 13/32 x 2-3/8 x 12 Ga.
46	588090401	Bolt 3/8-16 x 1, 1.25 OD

NOTE: All component dimensions given in U.S. inches
1 inch = 25.4 mm

TRACTOR - - MODEL NUMBER 944.101060

DECALS



KEY PART NO. NO.

DESCRIPTION

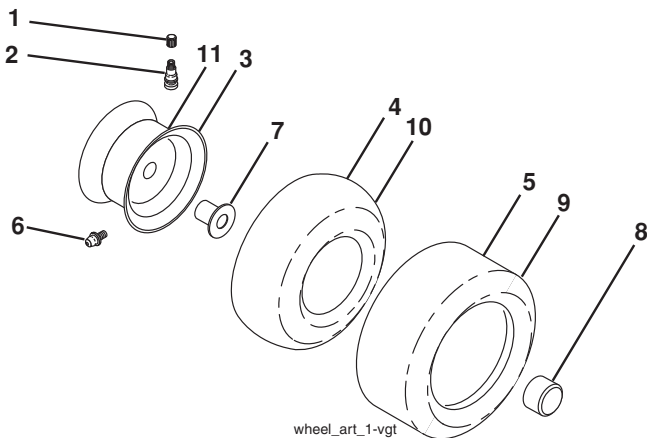
1	581894601	Decal, Steering
2	585767601	Decal, Hood
3	584904601	Decal, Deck/Deflect Warning
5	582522401	Decal, Engine HP
6	581579001	Decal, Fender Warning
8	421534	Decal, V-Belt Schematic Drive
9	149517	Decal, Battery Warning
10	448709	Decal, Battery
11	587063201	Decal, Replacement
12	587390301	Decal, Fender

KEY PART NO. NO.

DESCRIPTION

13	581580001	Decal, Mower V-Belt SCH.
14	586207901	Decal, Sideskirt RH
15	586207902	Decal, Sideskirt LH
--	193226X428	Pad, Footrest LH
--	400981X428	Pad, Footrest
--	581724801	Decal, Bypass
--	115816826	Manual, Operator's (English/French)
--	115816924	Manual, Part's (English/French)

WHEELS AND TIRES



KEY PART NO. NO.

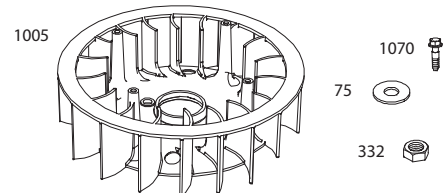
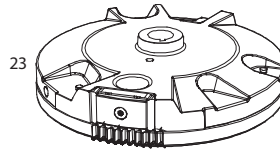
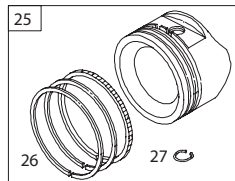
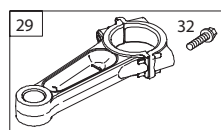
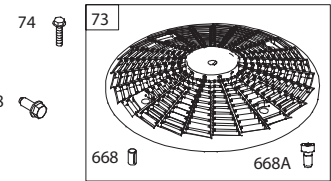
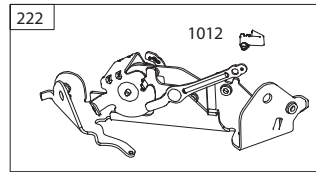
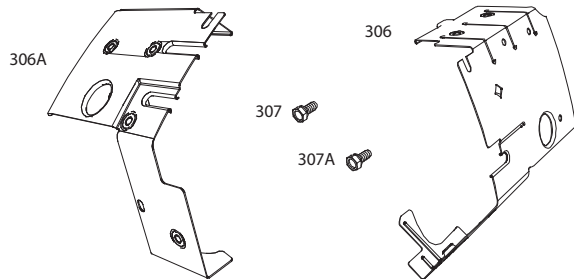
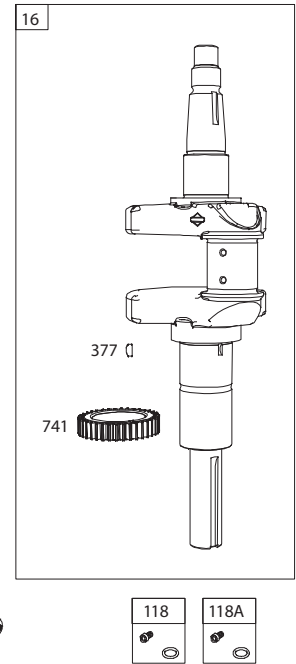
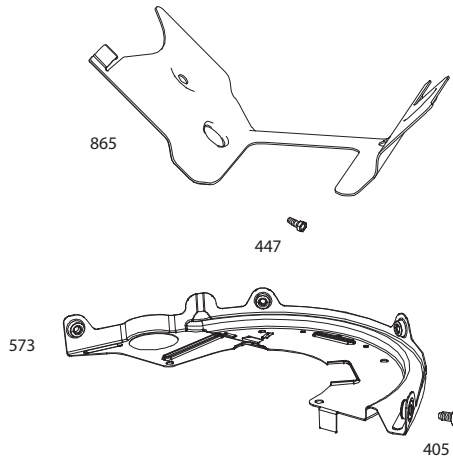
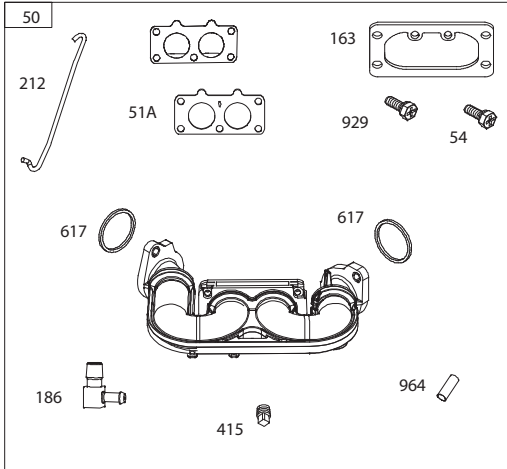
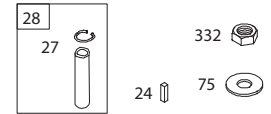
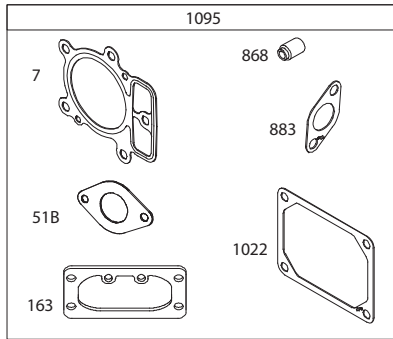
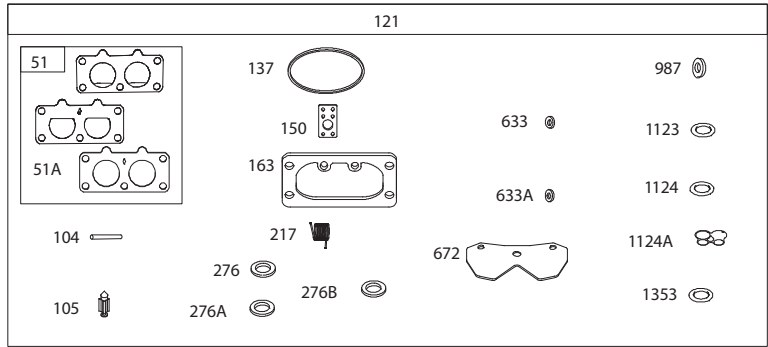
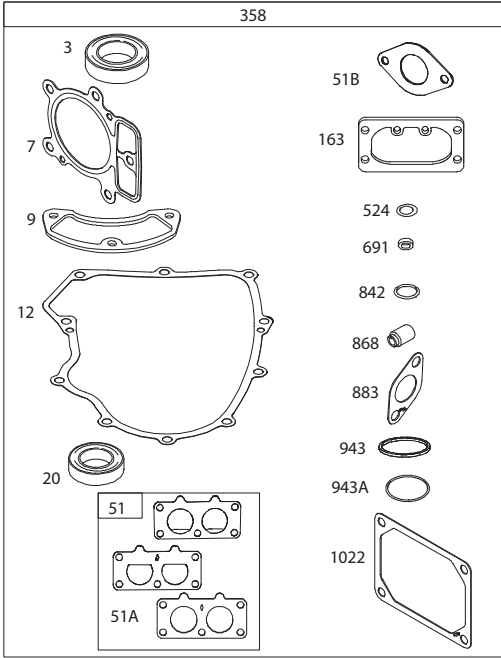
DESCRIPTION

1	59192	Cap, Valve, Tire
2	65139	Stem, Valve
3	106732X613	Rim Assembly, Front
4	59904	Tube, Front
5	106222X	Tire, Front 15 x 6-6
6	278H	Fitting, Grease
7	9040H	Bearing, Flange
8	104757X428	Cap, Axle
9	138468	Tire, Rear 20 x 8-8
10	7152J	Tube, Rear
11	106108X613	Rim Assembly, Rear
--	144334	Sealant, Tire (10 oz. Tube)

NOTE: All component dimensions given in U.S. inches
1 inch = 25.4 mm

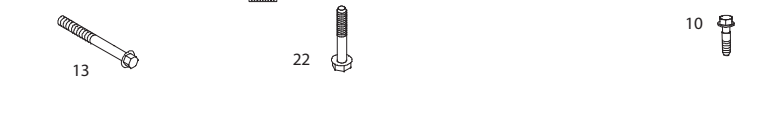
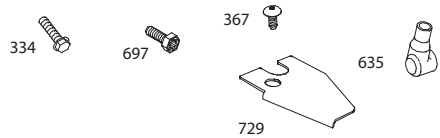
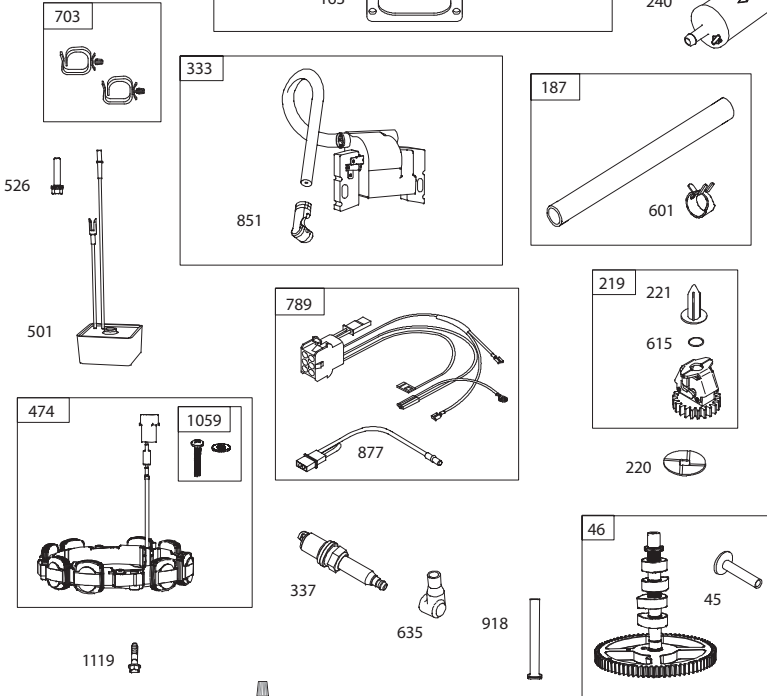
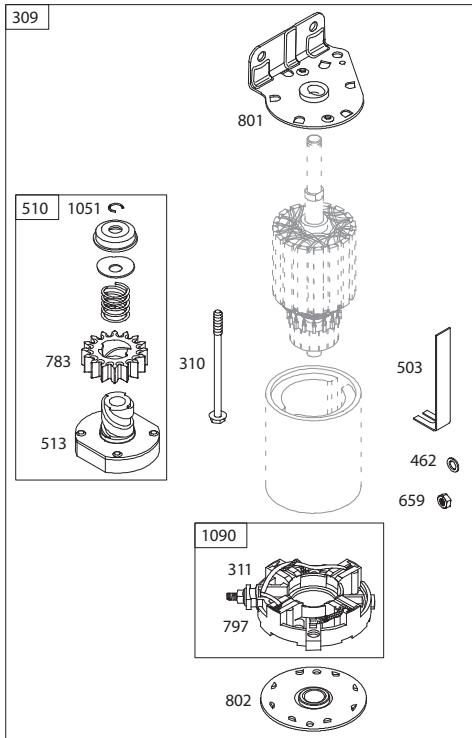
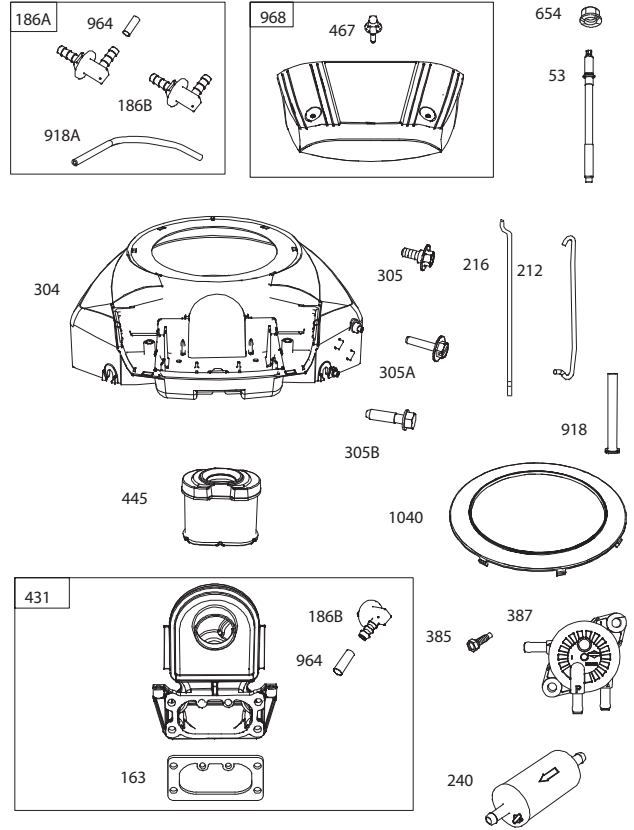
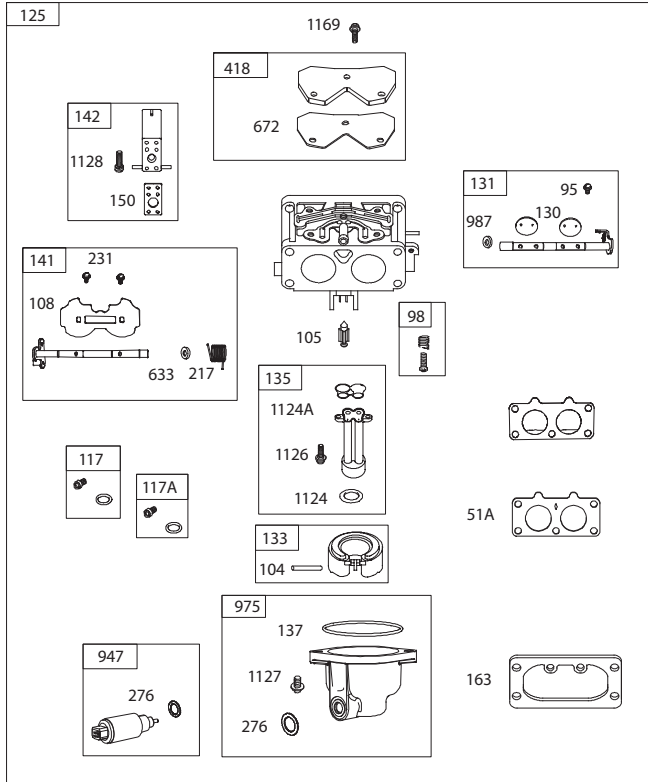
TRACTOR - - MODEL NUMBER 944.101060
BRIGGS ENGINE - MODEL NUMBER 44R677, TYPE NUMBER 0026-G1

48 1036 1058 1329 1330

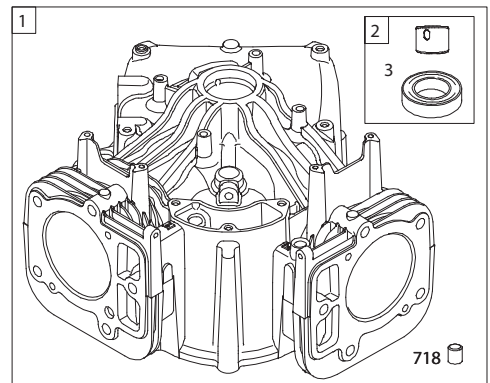
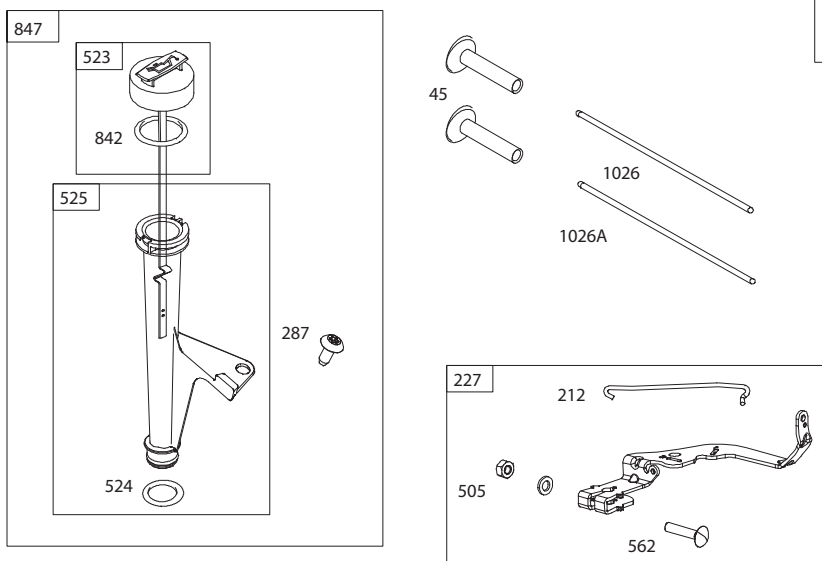
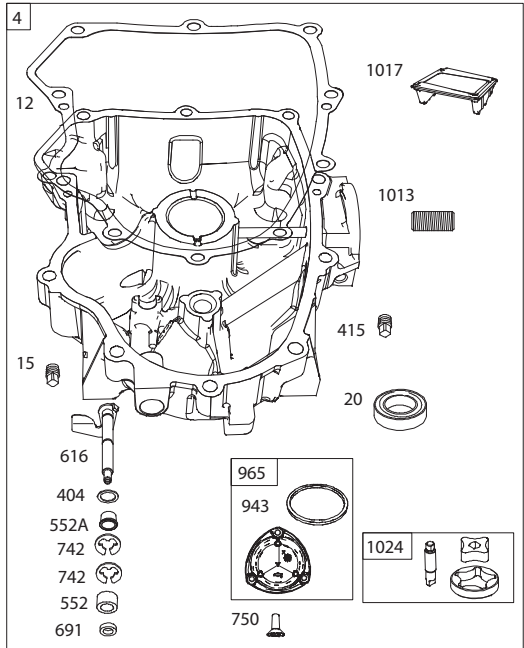
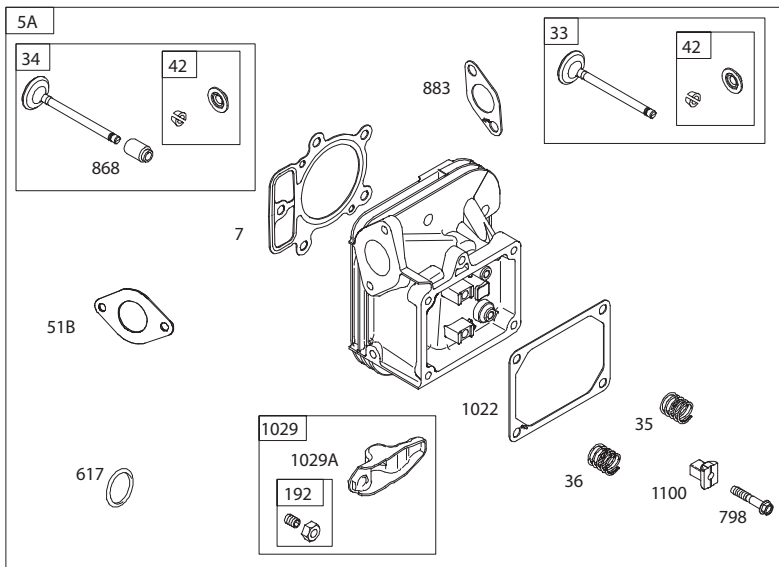
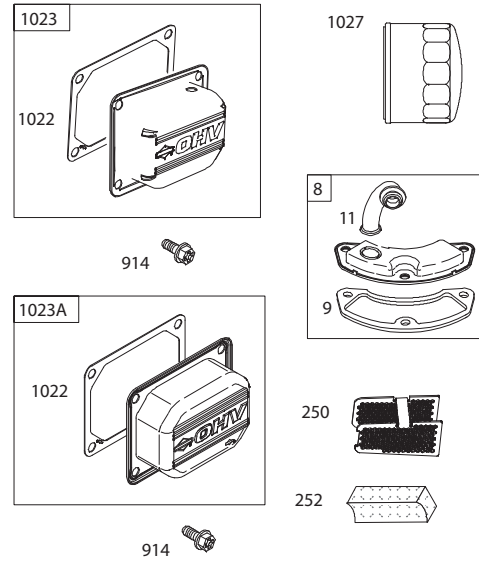
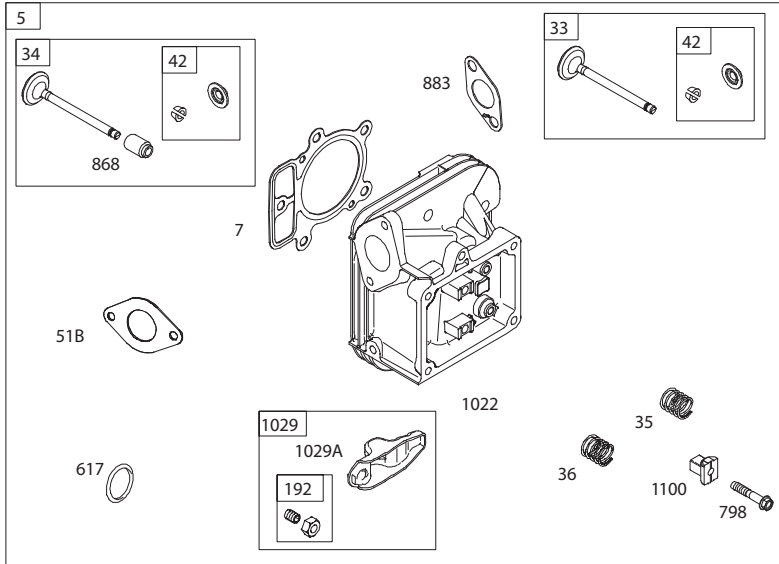


TRACTOR - - MODEL NUMBER 944.101060

BRIGGS ENGINE - MODEL NUMBER 44R677, TYPE NUMBER 0026-G1



TRACTOR - - MODEL NUMBER 944.101060
BRIGGS ENGINE - MODEL NUMBER 44R677, TYPE NUMBER 0026-G1



TRACTOR - - MODEL NUMBER 944.101060
BRIGGS ENGINE - MODEL NUMBER 44R677, TYPE NUMBER 0026-G1

KEY NO.	PART NO.	DESCRIPTION	KEY NO.	PART NO.	DESCRIPTION
1	591695	Cylinder Assembly	133	699724	Float-Carburetor
2	797673	Bushing/Seal Kit (Magneto Side)	135	699729	Tube-Fuel Transfer
3	391086s	Seal-Oil (Magneto Side)	137	690994	Gasket-Float Bowl
4	796307	Sump-Engine	141	796228	Kit-Choke Shaft
5	796231	Head-Cylinder (Cylinder #1)	142	699726	Nozzle-Carburetor
5A	796232	Head-Cylinder (Cylinder #2)	150	841649	Gasket-Nozzle
7	693997	Gasket-Cylinder Head	163	691001	Gasket-Air Cleaner
8	792185	Breather Assembly	186	795985	Connector-Hose (Intake Manifold)
9	690937	Gasket-Breather	186A	799158	Connector-Hose (EVAP)
10	691108	Screw (Breather Assembly)	186B	845141	Connector-Hose (EVAP)
11	792184	Tube-Breather	187	791766	Line-Fuel (Cut to Required Length)
12	591911	Gasket-Crankcase			
13	793988	Screw (Cylinder Head)	188	691108	Screw (Control Bracket)
15	690946	Plug-Oil Drain	192	690083	Adjuster-Rocker Arm
16	796237	Crankshaft	209	798921	Spring-Governor (Orange)
20	795387	Seal-Oil (PTO Side)	211	691019	Spring-Governed Idle (No Color)
22	694966	Screw (Crankcase Cover/Sump)	212	695238	Link-Throttle
23	691053	Flywheel	216	796229	Link-Choke
24	222698s	Key-Flywheel (Aluminum)	217	799771	Spring-Choke Return
25	792023	Piston Assembly (Standard)	219	793338	Gear-Governor
	792072	Piston Assembly (020" Oversize)	220	799772	Washer (Governor Gear)
26	792026	Ring Set (Standard)	221	841026	Cup-Governor
	792073	Ring Set (.020" Oversize)	222	592555	Bracket-Control
27	690975	Lock-Piston Pin	227	798856	Lever-Governor Control
28	696581	Pin-Piston	231	690718	Screw (Choke Valve)
29	796209	Rod-Connecting	240	695666	Filter-Fuel
32	690976	Screw (Connecting Rod)	250	690957	Retainer-Breather
33	697576	Valve-Exhaust	252	794389	Collector-Oil
34	792200	Valve-Intake	265	691024	Clamp-Casing
35	694865	Spring-Valve (Intake)	267	792629	Screw (Casing Clamp)
36	694865	Spring-Valve (Exhaust)	276	695410	Washer-Sealing (Aluminum)
42	499586	Keeper-Valve	276A	690997	Washer-Sealing (Fiber)
45	690977	Tappet-Valve	276B	794271	Washer-Sealing
46	792555	Camshaft	287	697820	Screw (Dipstick Tube)
48	N/A	Short Block (Not Available At This Printing)	304	591668	Housing-Blower
			305	691005	Screw (Blower Housing) (1/4-20x.66)
50	591784	Manifold-Intake			
51	795123	Gasket-Intake	305A	790690	Screw (Blower Housing) (Blower Housing to Intake Elbow)
51A	690950	Gasket-Intake			
51B	690949	Gasket-Intake	305B	691061	Screw (Blower Housing) (#8-32x.87)
53	690951	Stud (Carburetor)			
54	699816	Screw (Intake Manifold)	306	591666	Shield-Cylinder (Cylinder #2)
73	494439	Screen-Rotating	306A	796852	Shield-Cylinder (Cylinder #1)
74	698425	Screw (Rotating Screen)	307	691003	Screw (Cylinder Shield)
75	691056	Washer (Flywheel)	307A	691108	Screw (Cylinder Shield) (1/4-20x.66)
95	690718	Screw (Throttle Valve)			
98	699721	Kit-Idle Speed	309	497595	Motor-Starter
104	694918	Pin-Float Hinge	310	690323	Screw (Starter Motor)
105	797410	Valve-Float Needle	311	497608	Brush Set
108	699723	Valve-Choke	332	691059	Nut (Flywheel)
117	792296	Jet-Main (Standard) (Left Jet)	333	592846	Armature-Magneto
117A	842627	Jet-Main (Standard) (Left Jet)	334	691061	Screw (Magneto Armature)
118	699457	Jet-Main (High Altitude) (Left Jet) (5000/9000 Feet)	337	792015	Plug-Spark
			358	694012	Gasket Set-Engine
118A	699733	Jet-Main (High Altitude) (Right Jet) (5000/9000 Feet)	367	697820	Screw (Wire Clip)
			377	690979	Key-Woodruff
121	797890	Kit-Carburetor Overhaul	385	797409	Screw (Fuel Pump)
125	796227	Carburetor	387	808656	Pump-Fuel
130	690993	Valve-Throttle	404	690442	Washer (Governor Crank)
131	499805	Kit-Throttle Shaft	405	697820	Screw (Back Plate)

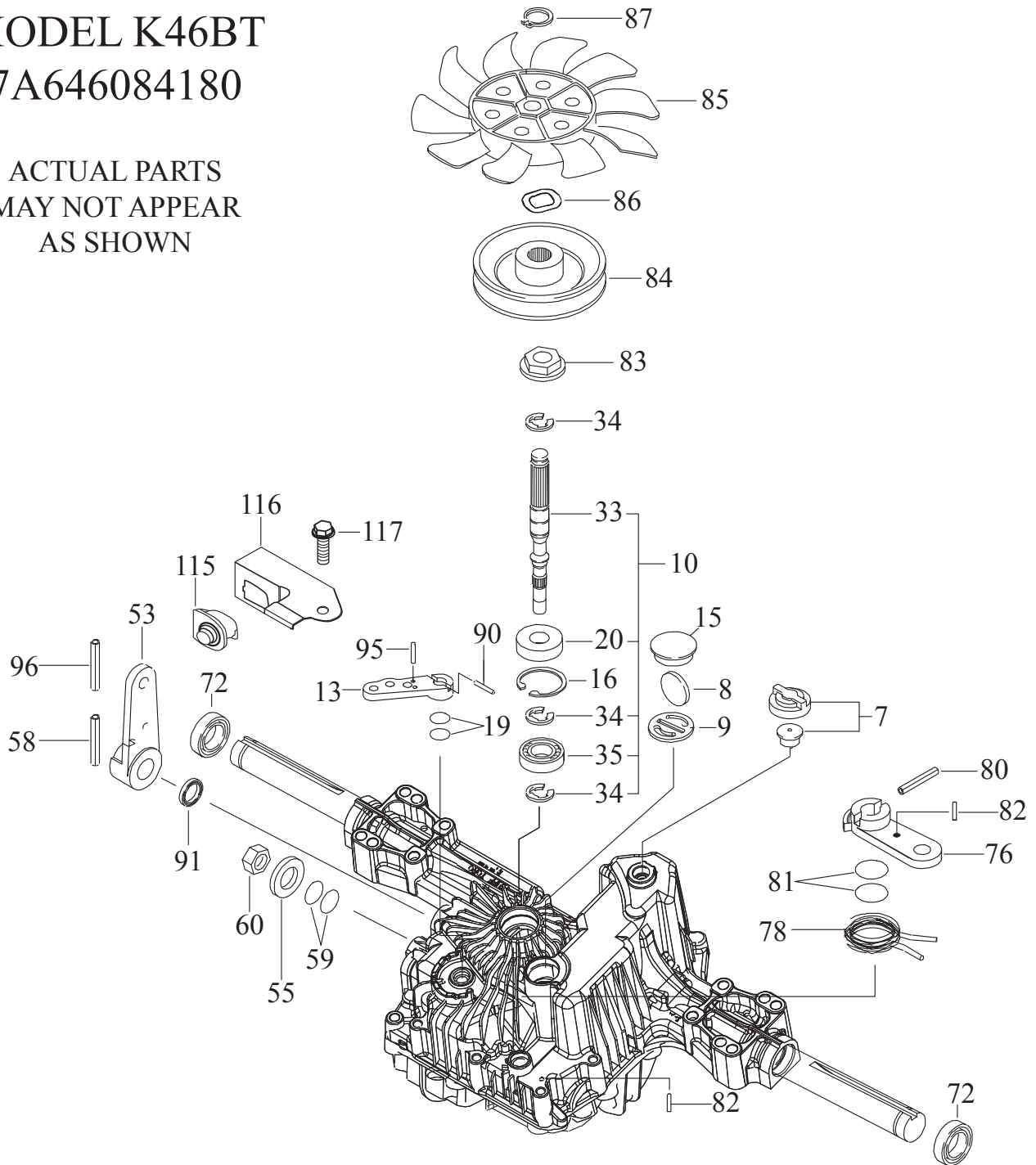
TRACTOR - - MODEL NUMBER 944.101060
BRIGGS ENGINE - MODEL NUMBER 44R677, TYPE NUMBER 0026-G1

KEY NO.	PART NO.	DESCRIPTION	KEY NO.	PART NO.	DESCRIPTION
415	794903	Plug	918	797408	Hose-Vacuum (Rocker Cover #1)
418	795912	Plate-Carburetor	918A	799160	Hose-Vacuum (EVAP)
431	591661	Elbow-Intake	929	695239	Screw (Choke Control Bracket)
445	593240	Filter-Air Cleaner Cartridge	943	796222	Seal-O Ring (Oil Pump Cover)
447	691003	Screw (Air Guide Cover) (#10-24x.43)	943A	690589	(Square Cut) (I.D. 2.48)
462	691261	Washer (Starter Cable)	947	798779	Seal-O Ring (Oil Pump Cover)
467	790697	Knob-Air Cleaner	964	799159	Solenoid-Fuel
474	592830	Alternator	965	796221	Cap-Connector
501	845907	Regulator	968	795120	Cover-Oil Pump
503	691532	Strap-Starter	975	796777	Cover-Air Cleaner
505	691029	Nut (Governor Control Lever)	987	691000	Bowl-Fuel
510	696541	Drive-Starter	1005	791236	Seal-Throttle Shaft
513	692024	Clutch-Drive	1012	592556	Fan-Flywheel
523	691036	Dipstick	1013	690954	Retainer-Link
524	691032	Seal-Dipstick Tube	1017	796214	Nipple-Oil Filter
525	691037	Tube-Dipstick	1022	690971	Screen-Oil Pump
526	691108	Screw (Regulator)	1023	793146	Gasket-Rocker Cover
552	796638	Bushing-Governor Crank	1023A	499600	Cover-Rocker (Cylinder #1)
552A	690553	Bushing-Governor Crank	1024	796220	Cover-Rocker (Cylinder #2)
562	690311	Screw (Governor Control Lever)	1026	690981	Pump-Oil
573	790444	Plate-Back	1026A	690982	Rod-Push (Exhaust) (Steel)
601	691038	Hose-Clamp (Black)	1027	795890	Rod-Push (Intake) (Aluminum)
615	698290	Retainer-Governor Shaft	1029	690972	Filter-Oil
616	691045	Crank-Governor	1029A	807323	Arm-Rocker
617	697891	Seal-O Ring (Intake Manifold)	1036		Arm-Rocker
		(Red)			Label-Emissions (Available from
633	699813	Seal-Choke/Throttle Shaft			a Briggs & Stratton Authorized
		(Choke Shaft)	1040	791237	Dealer)
633A	690998	Seal-Choke/Throttle Shaft	1051	691265	Plate-Trim
635	66538s	Boot-Spark Plug	1058	381258TRI	Ring-Retaining
654	690958	Nut (Carburetor) (Serrated)	1059	698516	Operator's Manual
659	691029	Nut (Starter Strap)	1070	592604	Kit-Screw/Washer (Alternator)
668	691500	Spacer (Rotating Screen)	1090	691293	Screw (Flywheel Fan)
668A	691215	Spacer (Rotating Screen)	1095	691293	Retainer-Brush
672	690234	Gasket-Carburetor Plate	1100	694013	Gasket Set-Valve
691	790574	Seal-Governor Shaft	1119	791959	Pivot-Rocker Arm
697	591909	Screw (Drive Cap)	1123	690987	Screw (Alternator)
703	691010	Clip (Fuel Line)	1124	841653	Seal-O Ring (Solenoid Retainer)
718	690959	Pin-Locating	1124A	690988	Seal-O Ring (Fuel Transfer Tube)
729	797454	Clip-Wire	1126	690991	Seal-O Ring (Fuel Transfer Tube)
741	690980	Gear-Timing	1127	695407	Screw (Fuel Transfer Tube)
742	690328	Retainer-E Ring	1128	690990	Screw (Float Bowl)
750	796208	Screw (Oil Pump Cover)	1193	592577	Screw (Carburetor Nozzle)
783	695708	Gear-Pinion	1329	N/A	Screw (Thermostat) (#10-32x.62)
789	591392	Harness-Wiring			Replacement Engine (Not
797	693167	Nut (Brush Retainer)	1330	N/A	Available At This Printing)
798	697890	Screw (Rocker Arm)			Repair Manual (Not Available
801	691283	Cap-Drive	1353	699725	At This Printing)
802	691286	Cap-End			Seal-O Ring (Fuel Transfer Tube
842	691031	Seal-O Ring (Dipstick Tube)			Extension)
847	499602	Dipstick/Tube Assembly			Carburetor Overhaul Kit
850	100106	Sealant-Liquid			Engine Gasket Set
851	493880s	Terminal-Spark Plug			Valve Gasket Set
865	591667	Cover-Air Guide (Valley)			Key No. 121
868	690968	Seal-Valve			Key No. 358
877	790544	Wire/Connector-Alternator			Key No. 1095
883	690970	Gasket-Exhaust			
914	691127	Screw (Rocker Cover)			

TRACTOR - - MODEL NUMBER 944.101060
TUFF TORQ TRANSAXLE - MODEL NUMBER K46BT

MODEL K46BT
7A646084180

ACTUAL PARTS
MAY NOT APPEAR
AS SHOWN



TRACTOR - - MODEL NUMBER 944.101060
TUFF TORQ TRANSAXLE - MODEL NUMBER K46BT

KEY NO.	PART NO.	DESCRIPTION
--	--	K46BT TRANSAXLE
7	414395	VENT VALVE 15
8	414396	MAGNET
9	414397	MAGNET HOLDER
10	415923	PUMP SHAFT/BEARING KIT
13	414398	BYPASS LEVER
15	414399	SEALING CAP 30
16	414400	SNAP RING C 35
19	414401	O-RING 1A P10A
20	414402	SEAL TC 153507
33	414403	PUMP SHAFT (STANDARD)
34	414404	E-RING 15
35	414405	BEARING 6202C3
53	414431	CONTROL LEVER F
55	415924	WASHER 12
58	415925	ROLL PIN 6 * 40
59	415926	O-RING 1A P14
60	415927	NUT 12
72	414407	SEAL 19 * 32 * 8
76	414408	BRAKE LEVER
78	414409	BRAKE RETURN SPRING
80	414410	SPRING PIN 5 * 32
81	414411	O-RING 1A P12
82	414412	SPRING PIN 4 * 16
83	414413	SPINE COLLAR
84	414414	PULLEY L
85	414415	FAN, BLACK
86	414416	WAVE WASHER
87	414417	SNAP RING
90	414418	SPRING PIN 3.0A * 20
91	414419	OIL SEAL 16 * 22 *.03
95	414850	SPRING PIN 3.0A*16
96	414420	ROLL PIN 3.5 * 40
115	415928	SWITCH 6440-11 DELTA
116	415929	SWITCH BRACKET
117	415930	TAPPING SCREW 8 * 20

NOTE: All component dimensions given in U.S. inches
1 inch = 25.4 mm

**TRACTEUR - - NUMÉRO DE MODÈLE 944.101060
TRANSMISSION "TUFFTORQ" - NO. DE MODÈLE K46BT**

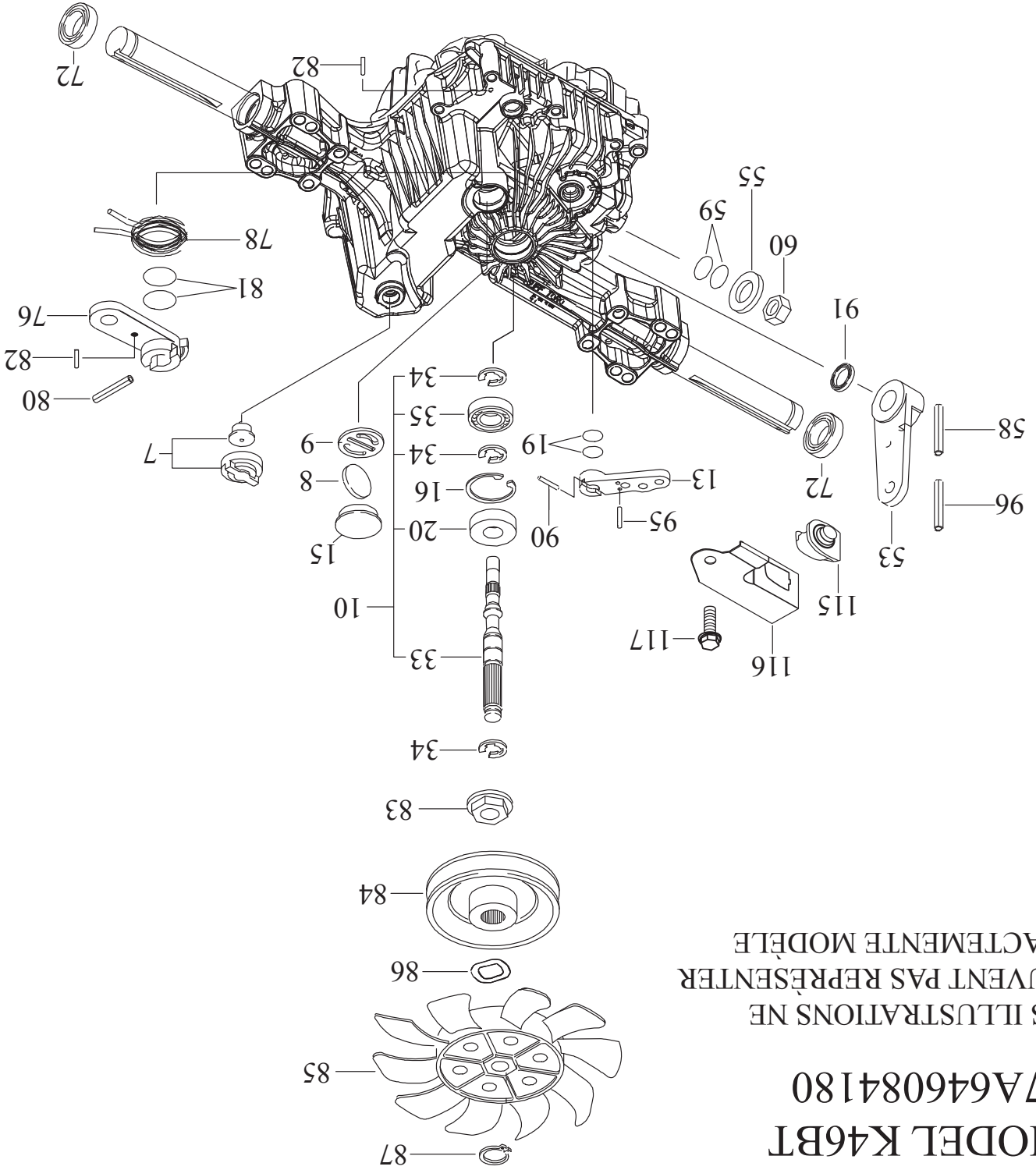
NO. DE RÉF. DE PIÈCE	DESCRIPTION
7	K46BT TRANSMISSION
414395	CONDUIT 15
414396	AIMANT
414397	PORTE-AIMANT
415923	POMPE VARBRE/TROUSSE DE MAINTIEN
414398	SAUTER LE LEVIER
414399	CASQUETTE SCELLANT 30
414400	CLAQUER L'ANNEAU C 35
414401	O-ANNEAU 1A P10A
414402	SCELLANT TC 153507
414403	POMPE VARBRE (STANDARD
414404	E-ANNEAU 15
414405	BEARING 6202C3
414406	ROULER L'ÉPINGLE 6 * 40
414407	SCELLANT 19 * 32 * 8
414408	LEVIER DE FREIN À MAIN
414409	FREINER LE RETOUR DE PRINT-EMPS
414410	BONDIR L'ÉPINGLE 5 * 32
414411	O-ANNEAU 1A P12
414412	BONDIR L'ÉPINGLE 4 * 16
414413	COL D'ÉPINE
414414	POULIE L
414415	VENTILATEUR, NOIR
414416	RONDELLE
414417	SONNER LE CLAQUEMENT
414418	BONDIR L'ÉPINGLE 3.0A * 20
414419	HUILER LE CACHET 16 * 22 * 03
415850	BONDIR L'ÉPINGLE 3.0A * 16
414420	ROULER L'ÉPINGLE 3.5 * 40
414421	CONTRÔLER LE LEVIER
414216	ÉCROU FREIN 10
414423	RONDELLE 10 * 40 * 4
414424	PRINTEMPS
414425	CLOU 10 * 60
414426	CASQUETTE SCELLANT 18
414427	RONDELLE 10 * 36 * 2.8
414428	COLLARE 10 * 20 * 17
414429	TROUSSE DE PLAQUE DE FRICTION

REMARQUE: Toutes les dimensions de composant sont données en pouces E.-U. --1 pouce = 25,4 mm

**TRACTEUR - - NUMÉRO DE MODÈLE 944.101060
TRANSMISSION "TUFFTORQ" - NO. DE MODÈLE K46BT**

**MODEL K46BT
7A646084180**

LES ILLUSTRATIONS NE
PEUVENT PAS REPRÉSENTER
EXACTEMENT LE MODÈLE



TRACTEUR - - NUMÉRO DE MODÈLE 944.101060
MOTEUR "BRIGGS & STRATTON" - NO. DE MODÈLE 44R677, NO. DE TYPE 0026-G1

NO. DE PIÈCE	DESCRIPTION	NO. DE PIÈCE	DESCRIPTION
552	796638	552	Douille, Manivelle du Régulateur
552A	69053	552A	Douille, Manivelle du Régulateur
562	690311	562	Vis de Levier de Régulateur
573	790444	573	Plat-En arrière
601	691038	601	Bride de Serrage de Tuyau
615	698290	615	Attache, Arbre de Régulateur
616	691045	616	Manivelle du Régulateur
617	697891	617	Anneau de Joint-o (tubulure de prise)
633	699813	633	Siège de Arbre de Starter / Papillon
633A	690998	633A	Siège de Arbre de Starter / Papillon
635	665385	635	Coude de Bougie d'allumage
654	690958	654	Écrou (Carburateur)
659	691029	659	Écrou
668	691500	668	Entretoise, Support de Commande
668A	691215	668A	Entretoise, Support de Commande
672	690234	672	Plat de Garniture-Carburateur
691	790574	691	Joint d'axe du Gouverneur
697	591909	697	Vis, Moteur de Rebobinage
703	691010	703	Agrafe
718	690959	718	Goupille de Emplacement
729	797454	729	Agrafe-Fil
741	690980	741	Vitesse de Distribution
742	690228	742	Bague en E
750	796208	750	Vis, (Pompe de Couvrir-Huile)
783	695708	783	Vitesse-Fignon
789	591392	789	Harnais-Câblage
797	693167	797	Écrou (Arrêtior de brosse)
798	697890	798	Vis, Couvratere de Balancier
801	691283	801	Chapeau-Conduisez
802	691286	802	Monture
842	691031	842	Joint Torique, d'étanchéité
847	499602	847	Ensemble des Tube et jauge de Rem-
850	100106	850	Mastic-Liquide
851	493880S	851	Borne, Bougie d'allumage
865	591667	865	Guide de Couvrir-Air (vallée)
868	690968	868	Joint d'étanchéité, Soupape
877	790544	877	Fil/Connecteur-Alternateur
883	690970	883	Garniture d'échappement
914	691127	914	Vis, Couvratere de Balancier
918	797408	918	Ligne-Vide (couverture de culbuteur)
918A	799160	918A	Ligne-Vide
929	695239	929	Vis (paréthèse de commande de bobine)
943	796222	943	Anneau de Joint-o (couverture de pompe d'huile)
943A	690589	943A	Anneau de Joint-o (couverture de pompe d'huile)
947	798779	947	Solénoide-Carburant
964	799159	964	Chapeau-Connecteur
965	796221	965	Pompe de Couvrir-Huile

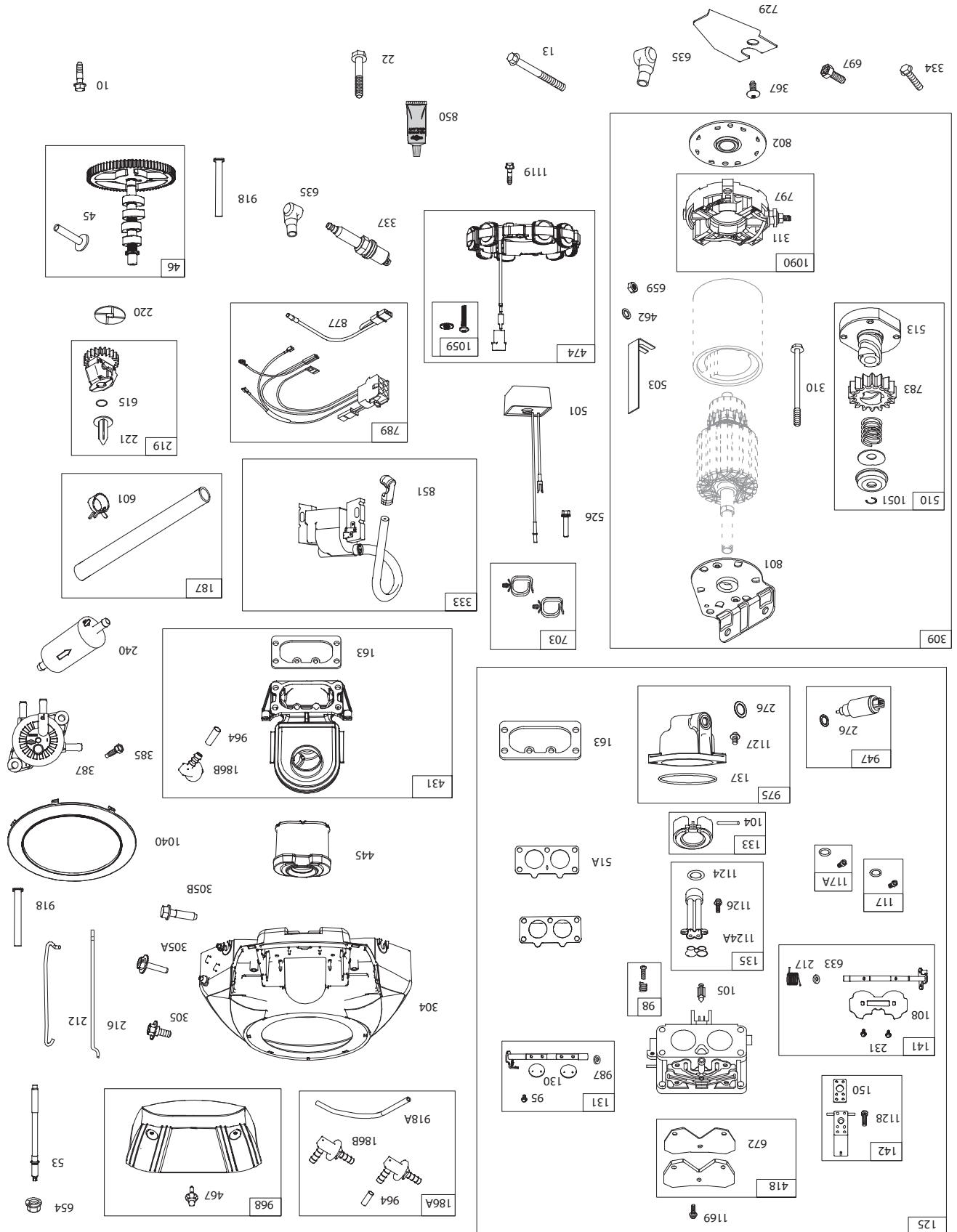
REMARQUE: Toutes les dimensions de composant sont données en pouces E.-U. -- 1 pouce = 25,4 mm

NO. DE PIÈCE	DESCRIPTION	NO. DE PIÈCE	DESCRIPTION
968	795120	968	Décapant de Couvrir-Air
975	796777	975	Cuve de Carburateur
987	691000	987	Axe de Joint-Commande de puis-
1005	791236	1005	Ventilateur de Volant du Moteur
1012	592556	1012	Arrêtior
1013	690954	1013	Filtre de Mamelon-Huile
1017	796214	1017	Écran de pompe d'huile
1022	690971	1022	Garniture, Couvratere de Balancier
1023	793146	1023	Couvratere de Balancier
1023A	499600	1023A	Couvratere de Balancier
1024	796220	1024	Pompe d'huile
1026	690981	1026	Tige à Frein
1026A	690982	1026A	Tige
1027	795890	1027	Filtre à huile
1029	690972	1029	Bras de Balancier
1029A	807323	1029A	Bras de Balancier
1036		1036	Jeu d'étriqueotte (Fourni par un reven-
1040	791237	1040	Plat d'équilibre
1051	691265	1051	Circlip
1058	381258TRI	1058	Le manuel de l'opérateur
1059	698516	1059	Jeu, Vis/Rondelle (Alternateur)
1070	592604	1070	Vis, Ventilateur de Volant du Moteur
1090	691293	1090	Arrêtior de brosse
1095	694013	1095	Fixée, Garnitures du Soupape
1100	791959	1100	Pivot, Tige à Frein
1119	691183	1119	Vis, Alternateur
1123	690987	1123	Anneau de Joint-o
1124	841653	1124	Anneau de Joint-o (renvoi des billes de carburant)
1124A	690988	1124A	Anneau de Joint-o
1126	690991	1126	Vis (renvoi des billes de carburant)
1127	695407	1127	Vis, Cuve de Flotteur
1128	690990	1128	Vis (bec de carburateur)
1193	592577	1193	Vis
1329	N/A	1329	Moteur de rechange
1330	N/A	1330	Réparez le manuel
1353	699725	1353	Anneau de Joint-o

Ensemble de garniture de moteur No. De Réf. 358
 Ensemble de garniture de valve No. De Réf. 1095
 Jeu de révision de carburateur No. De Réf. 121

**TRACTEUR - - NUMÉRO DE MODÈLE 944.10160
MOTEUR "BRIGGS & STRATTON" - NO. DE MODÈLE 44R677, NO. DE TYPE 0026-G1**

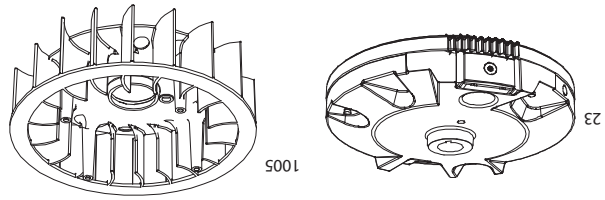
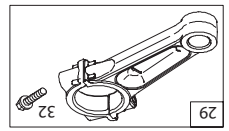
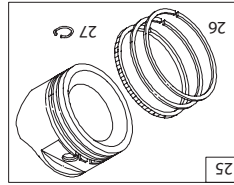
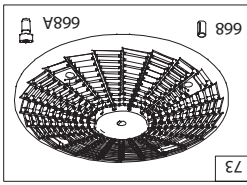
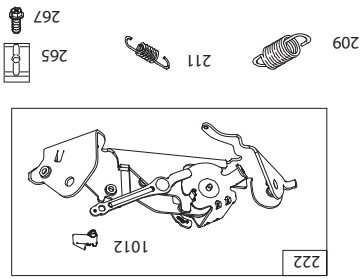
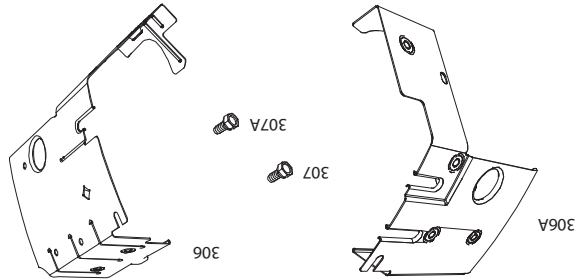
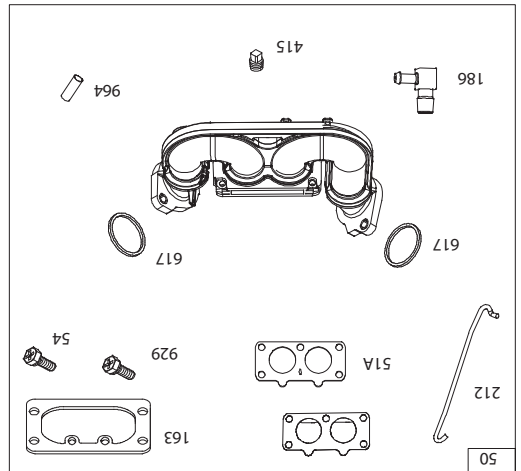
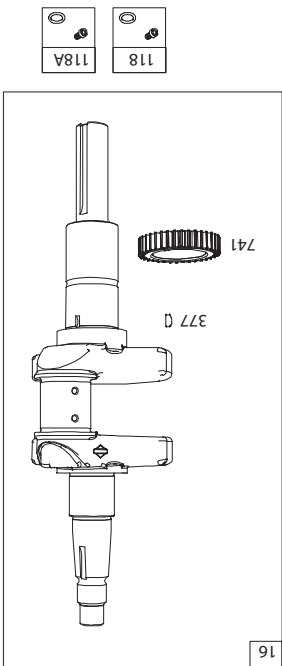
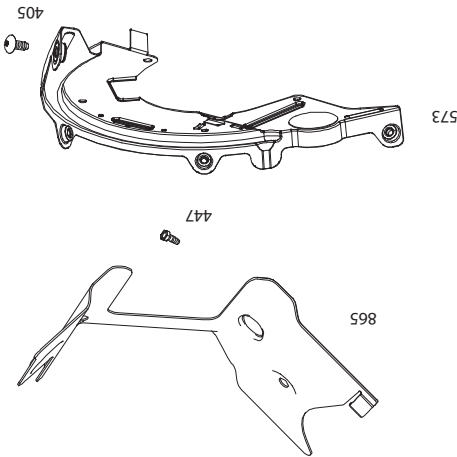
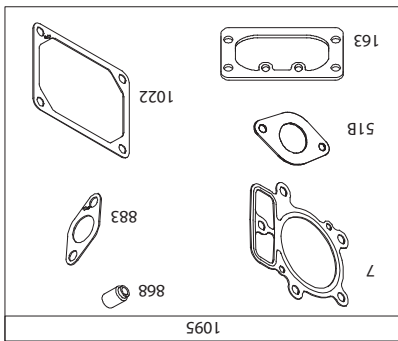
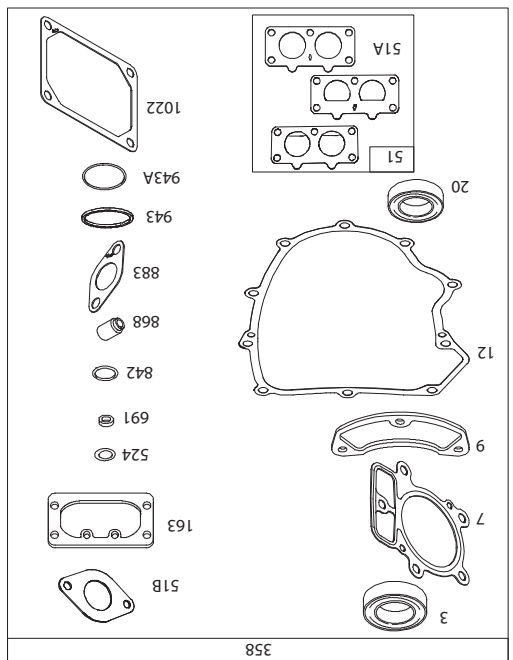
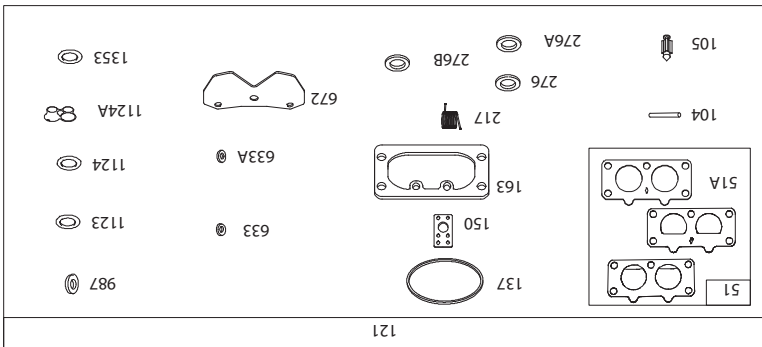
NO. DE DÉ	DESCRIPTION	NO. DE DÉ	DESCRIPTION	NO. DE DÉ	DESCRIPTION
1	591695	186A	799158	186A	Ensemble du Cylindre
2	797673	186B	845141	186B	Douille de Cylindre (Côté Magneto)
3	3910863	187	791766	187	Bague d'étanchéité (Côté Magneto)
4	796307	188	691108	188	Carter de vidange-Moteur
5	796231	192	690083	192	Tête de Cylindre
5A	796232	209	798921	209	Tête de Cylindre
7	693997	211	691019	211	Garniture de la Tête de Cylindre
8	792185	212	695238	212	Assemblée de reniflard
9	690937	216	796229	216	Garniture de reniflard
10	691108	217	799771	217	Vis
11	792184	219	793338	219	Tube de Reniflard
12	591911	221	841026	221	Garniture du Carter-moteur
13	793988	222	592555	222	Vis de Tête de Cylindre
15	690946	227	798856	227	Bouchon de Vidange d'huile
16	796237	228	592555	228	Vilbrequin
20	795387	231	690718	231	Bague d'étanchéité (Côté PTO)
22	694966	234	690718	234	Vis de Montage de Bac à Sems
23	691053	240	695666	240	Volant Magneto
24	2226988	250	690957	250	Cle de Volant
25	792023	252	794389	252	Ensemble du Piston, Standard
26	792026	255	691024	255	Jeu des Segments de Piston, Std.
27	792073	267	792629	267	Jeu, Segments de Piston, 0,020" OS
28	696581	276B	794271	276B	Ensemble de la Bielle
29	796209	287	697820	287	Axe de Piston
32	690976	304	591668	304	Verrou de l'axe de Piston
33	697576	305	691005	305	Jeu, Segments de Piston, 0,020" OS
34	792200	305A	790690	305A	Soupape d'échappement
35	694865	306	591666	306	Soupape d'admission
42	495956	306A	796852	306A	Ressort de Soupape d'échappement
45	690977	307	691003	307	Guide à Soupape
46	792555	307A	691108	307A	Poussoir à Soupape
48	N/A	337	792015	337	Engrenage de Came
51	795123	338	694012	338	Bloc Count
51A	690950	358	694012	358	Engrénage de Came
51B	690949	367	697820	367	Vis
53	690951	377	690979	377	Rondelle
54	699816	385	797409	385	Vis à Sems de Montage de Soupape
55	690951	387	808656	387	de Commande des Gaz
58	699721	404	690442	404	Jeu de Vitesse à Vide
68	699721	405	697820	405	Axe de Charnière de Flotteur
73	494439	415	794903	415	Soupape de Aiguille
74	698425	418	795912	418	Soupape à Starter
75	691056	431	591661	431	Giclette, Standard
77	494439	447	691003	447	Giclette, Standard
78	699724	445	593240	445	Giclette, Altitude Haute
88	699721	467	790697	467	Giclette
95	690718	474	592830	474	Jeu de Carburateur
98	699721	497	790697	497	Carburateur
104	694918	501	845907	501	Jeu-Axe de commande de puissance
105	797410	503	691532	503	Soupape de Commande des Gaz
108	699723	505	691029	505	Tube d'essence
117A	792296	510	696541	510	Ens. de Flotteur de Carburateur
118	699457	513	692024	513	Jeu-Obstruez l'axe
118A	699733	523	691036	523	Garniture de Flotteur
121	797890	524	691032	524	Bec-Carburateur
125	796227	526	691108	526	Bec-Carburateur
130	690993	525	691037	525	Garniture de Filtre à Aire
131	499805	526	691108	526	Tuyau-Connecteur (Drain de Tuyau- Huile)
133	699724	526	691108	526	Tuyau-Connecteur (Drain de Tuyau- Huile)
137	690994	526	691108	526	Tuyau-Connecteur (Drain de Tuyau- Huile)
141	796228	526	691108	526	Tuyau-Connecteur (Drain de Tuyau- Huile)
142	699726	526	691108	526	Tuyau-Connecteur (Drain de Tuyau- Huile)
144	796228	526	691108	526	Tuyau-Connecteur (Drain de Tuyau- Huile)
145	690994	526	691108	526	Tuyau-Connecteur (Drain de Tuyau- Huile)
150	841649	526	691108	526	Tuyau-Connecteur (Drain de Tuyau- Huile)
163	691001	526	691108	526	Tuyau-Connecteur (Drain de Tuyau- Huile)
186	795985	526	691108	526	Tuyau-Connecteur (Drain de Tuyau- Huile)
1	591695	186A	799158	186A	Ensemble du Cylindre
2	797673	186B	845141	186B	Douille de Cylindre (Côté Magneto)
3	3910863	187	791766	187	Bague d'étanchéité (Côté Magneto)
4	796307	188	691108	188	Carter de vidange-Moteur
5	796231	192	690083	192	Tête de Cylindre
5A	796232	209	798921	209	Tête de Cylindre
7	693997	211	691019	211	Garniture de la Tête de Cylindre
8	792185	212	695238	212	Assemblée de reniflard
9	690937	216	796229	216	Garniture de reniflard
10	691108	217	799771	217	Vis
11	792184	219	793338	219	Tube de Reniflard
12	591911	221	841026	221	Garniture du Carter-moteur
13	793988	222	592555	222	Vis de Tête de Cylindre
15	690946	227	798856	227	Bouchon de Vidange d'huile
16	796237	228	592555	228	Vilbrequin
20	795387	231	690718	231	Bague d'étanchéité (Côté PTO)
22	694966	234	690718	234	Vis de Montage de Bac à Sems
23	691053	240	695666	240	Volant Magneto
24	2226988	250	690957	250	Cle de Volant
25	792023	252	794389	252	Ensemble du Piston, Standard
26	792026	255	691024	255	Jeu des Segments de Piston, Std.
27	792073	267	792629	267	Jeu, Segments de Piston, 0,020" OS
28	696581	276B	794271	276B	Ensemble de la Bielle
29	796209	287	697820	287	Axe de Piston
32	690976	304	591668	304	Verrou de l'axe de Piston
33	697576	305	691005	305	Jeu, Segments de Piston, 0,020" OS
34	792200	305A	790690	305A	Soupape d'admission
35	694865	306	591666	306	Soupape d'échappement
42	495956	306A	796852	306A	Ressort de Soupape d'échappement
45	690977	307	691003	307	Guide à Soupape
46	792555	307A	691108	307A	Poussoir à Soupape
48	N/A	337	792015	337	Engrenage de Came
51	795123	338	694012	338	Bloc Count
51A	690950	358	694012	358	Engrénage de Came
51B	690949	367	697820	367	Vis
53	690951	377	690979	377	Rondelle
54	699816	385	797409	385	Vis à Sems de Montage de Soupape
55	690951	387	808656	387	de Commande des Gaz
58	699721	404	690442	404	Jeu de Vitesse à Vide
68	699721	405	697820	405	Axe de Charnière de Flotteur
73	494439	415	794903	415	Soupape de Aiguille
74	698425	418	795912	418	Soupape à Starter
75	691056	431	591661	431	Giclette, Standard
77	494439	447	691003	447	Giclette, Standard
78	699724	445	593240	445	Giclette, Altitude Haute
88	699721	467	790697	467	Giclette
95	690718	474	592830	474	Jeu de Carburateur
98	699721	497	790697	497	Carburateur
104	694918	501	845907	501	Jeu-Axe de commande de puissance
105	797410	503	691532	503	Soupape de Commande des Gaz
108	699723	505	691029	505	Tube d'essence
117A	792296	510	696541	510	Ens. de Flotteur de Carburateur
118	699457	513	692024	513	Jeu-Obstruez l'axe
118A	699733	523	691036	523	Garniture de Flotteur
121	797890	524	691032	524	Bec-Carburateur
125	796227	526	691108	526	Bec-Carburateur
130	690993	526	691108	526	Garniture de Filtre à Aire
131	499805	526	691108	526	Tuyau-Connecteur (Drain de Tuyau- Huile)
133	699724	526	691108	526	Tuyau-Connecteur (Drain de Tuyau- Huile)
137	690994	526	691108	526	Tuyau-Connecteur (Drain de Tuyau- Huile)
141	796228	526	691108	526	Tuyau-Connecteur (Drain de Tuyau- Huile)
142	699726	526	691108	526	Tuyau-Connecteur (Drain de Tuyau- Huile)
144	796228	526	691108	526	Tuyau-Connecteur (Drain de Tuyau- Huile)
145	690994	526	691108	526	Tuyau-Connecteur (Drain de Tuyau- Huile)
150	841649	526	691108	526	Tuyau-Connecteur (Drain de Tuyau- Huile)
163	691001	526	691108	526	Tuyau-Connecteur (Drain de Tuyau- Huile)
186	795985	526	691108	526	Tuyau-Connecteur (Drain de Tuyau- Huile)
1	591695	186A	799158	186A	Ensemble du Cylindre
2	797673	186B	845141	186B	Douille de Cylindre (Côté Magneto)
3	3910863	187	791766	187	Bague d'étanchéité (Côté Magneto)
4	796307	188	691108	188	Carter de vidange-Moteur
5	796231	192	690083	192	Tête de Cylindre
5A	796232	209	798921	209	Tête de Cylindre
7	693997	211	691019	211	Garniture de la Tête de Cylindre
8	792185	212	695238	212	Assemblée de reniflard
9	690937	216	796229	216	Garniture de reniflard
10	691108	217	799771	217	Vis
11	792184	219	793338	219	Tube de Reniflard
12	591911	221	841026	221	Garniture du Carter-moteur
13	793988	222	592555	222	Vis de Tête de Cylindre
15	690946	227	798856	227	Bouchon de Vidange d'huile
16	796237	228	592555	228	Vilbrequin
20	795387	231	690718	231	Bague d'étanchéité (Côté PTO)
22	694966	234	690718	234	Vis de Montage de Bac à Sems
23	691053	240	695666	240	Volant Magneto
24	2226988	250	690957	250	Cle de Volant
25	792023	252	794389	252	Ensemble du Piston, Standard
26	792026	255	691024	255	Jeu des Segments de Piston, Std.
27	792073	267	792629	267	Jeu, Segments de Piston, 0,020" OS
28	696581	276B	794271	276B	Ensemble de la Bielle
29	796209	287	697820	287	Axe de Piston
32	690976	304	591668	304	Verrou de l'axe de Piston
33	697576	305	691005	305	Jeu, Segments de Piston, 0,020" OS
34	792200	305A	790690	305A	Soupape d'admission
35	694865	306	591666	306	Soupape d'échappement
42	495956	306A	796852	306A	Ressort de Soupape d'échappement
45	690977	307	691003	307	Guide à Soupape
46	792555	307A	691108	307A	Poussoir à Soupape
48	N/A	337	792015	337	Engrenage de Came
51	795123	338	694012	338	Bloc Count
51A	690950	358	694012	358	Engrénage de Came
51B	690949	367	697820	367	Vis
53	690951	377	690979	377	Rondelle
54	699816	385	797409	385	Vis à Sems de Montage de Soupape
55	69095				



TRACTEUR - - NUMÉRO DE MODÈLE 944.101060
 MOTEUR "BRIGGS & STRATTON" - NO. DE MODÈLE 44R677, NO. DE TYPE 0026-G1

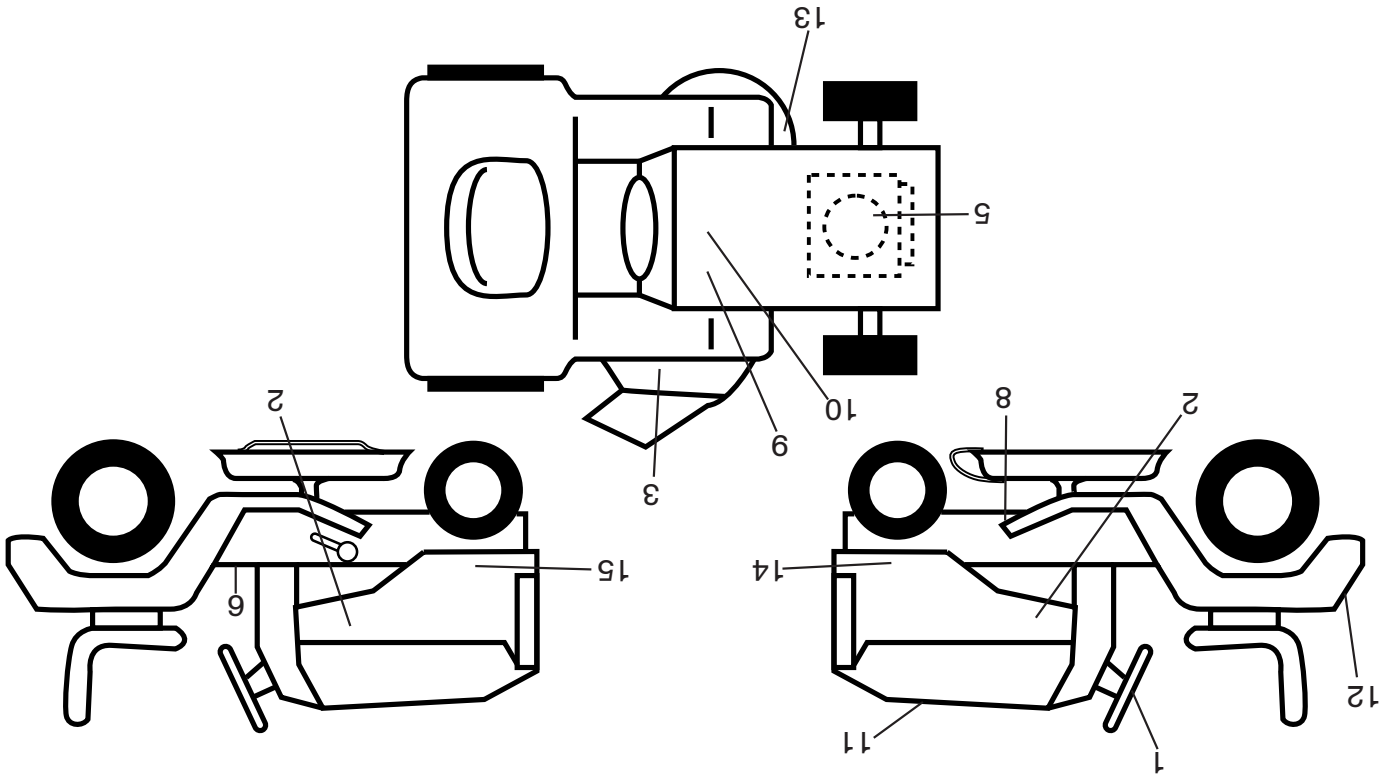
TRACTEUR - - NUMÉRO DE MODÈLE 944.101060
MOTEUR "BRIGGS & STRATTON" - NO. DE MODÈLE 44R677, NO. DE TYPE 0026-G1

1330 1329 1058 1036 48



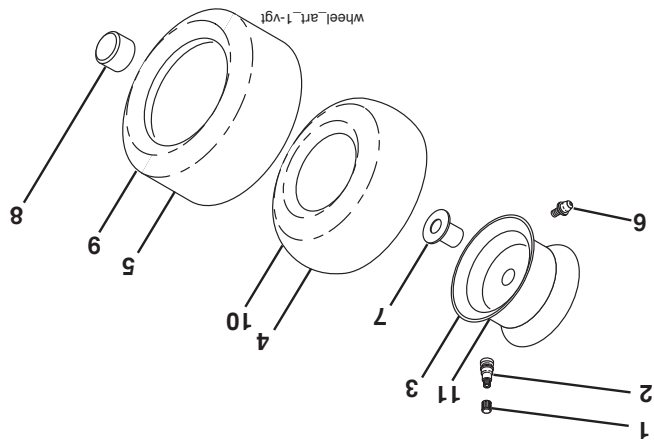
TRACTEUR - - NUMÉRO DE MODÈLE 944.101060

DECALCOMANIES



NO. DÉ	NO. DÉ	DESCRIPTION	NO. DÉ	NO. DÉ	DESCRIPTION
1	581894601	Décalcomanie, Capot	13	581580001	Décalcomanie, Schématique du Cour-roi "V" du tondeuse
2	585767601	Décalcomanie, Volant de direction	14	586207901	Décalcomanie, Panneau Latéral (C.D.)
3	584904601	Décalcomanie, Avertissement	15	586207902	Décalcomanie, Panneau Latéral (C.G.)
4	582522401	Décalcomanie, Moteur		193226X428	Coussin de repose-pied (C.G.)
5	581579001	Décalcomanie, Pare-chocs		400981X428	Coussin de repose-pied (C.D.)
6	421534	Décalcomanie, Schématique du Cour-roi "V" d'entraînement		581724801	Décalcomanie, Dérivation
7	149517	Décalcomanie, Batterie		115816826	Manuel de L'Opérateur
8	448709	Décalcomanie, Batterie		115816924	Manuel De Pièces De Rechange
9	587063201	Décalcomanie, Remplacement			(Anglais/ Français)
10	587390301	Décalcomanie, Remplacement			(Anglais/ Français)
11		Décalcomanie, Garde-boue			
12		Décalcomanie, Garderoue			

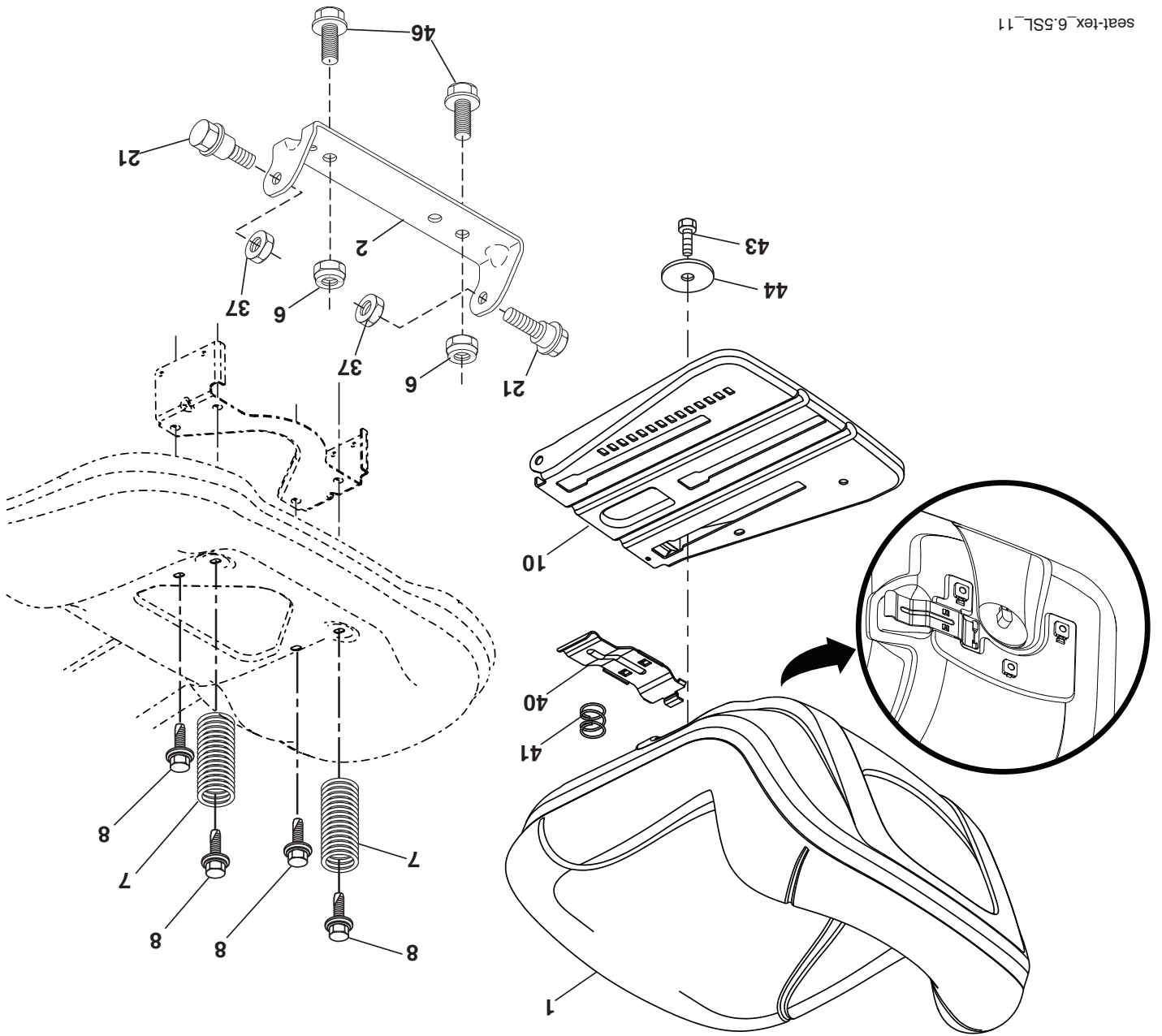
WHEELS AND TIRES



NO. DÉ	NO. DÉ	DESCRIPTION	NO. DÉ	NO. DÉ	DESCRIPTION
1	59192	Chapeau de soupape du pneu	1	59192	Chapeau de soupape du pneu
2	65139	Tuyau du soupape	2	65139	Tuyau du soupape
3	106732X613	Assemblage de la jante antérieure	3	106732X613	Assemblage de la jante antérieure
4	59904	Chambre à air antérieure	4	59904	Chambre à air antérieure
5	106222X	Pneu antérieur 15 x 6-6	5	106222X	Pneu antérieur 15 x 6-6
6	278H	Graisneur	6	278H	Graisneur
7	9040H	Paler à collerette	7	9040H	Paler à collerette
8	104757X428	Chapeau de l'essieu	8	104757X428	Chapeau de l'essieu
9	138468	Pneu arrière 20 x 8-8	9	138468	Pneu arrière 20 x 8-8
10	7152J	Chambre à air arrière	10	7152J	Chambre à air arrière
11	106108X613	Assemblage de la jante arrière	11	106108X613	Assemblage de la jante arrière
--	144334	Joint d'étanchéité de pneu (tube de .30L [10 oz. Tube])	--	144334	Joint d'étanchéité de pneu (tube de .30L [10 oz. Tube])

REMARQUE: Toutes les dimensions de composant sont données en pouces E.-U. --1 pouce = 25,4 mm

TRACTEUR - - NUMÉRO DE MODÈLE 944.101060
ENSEMBLE DU SIÈGE



seat_tex_6.5SL_11

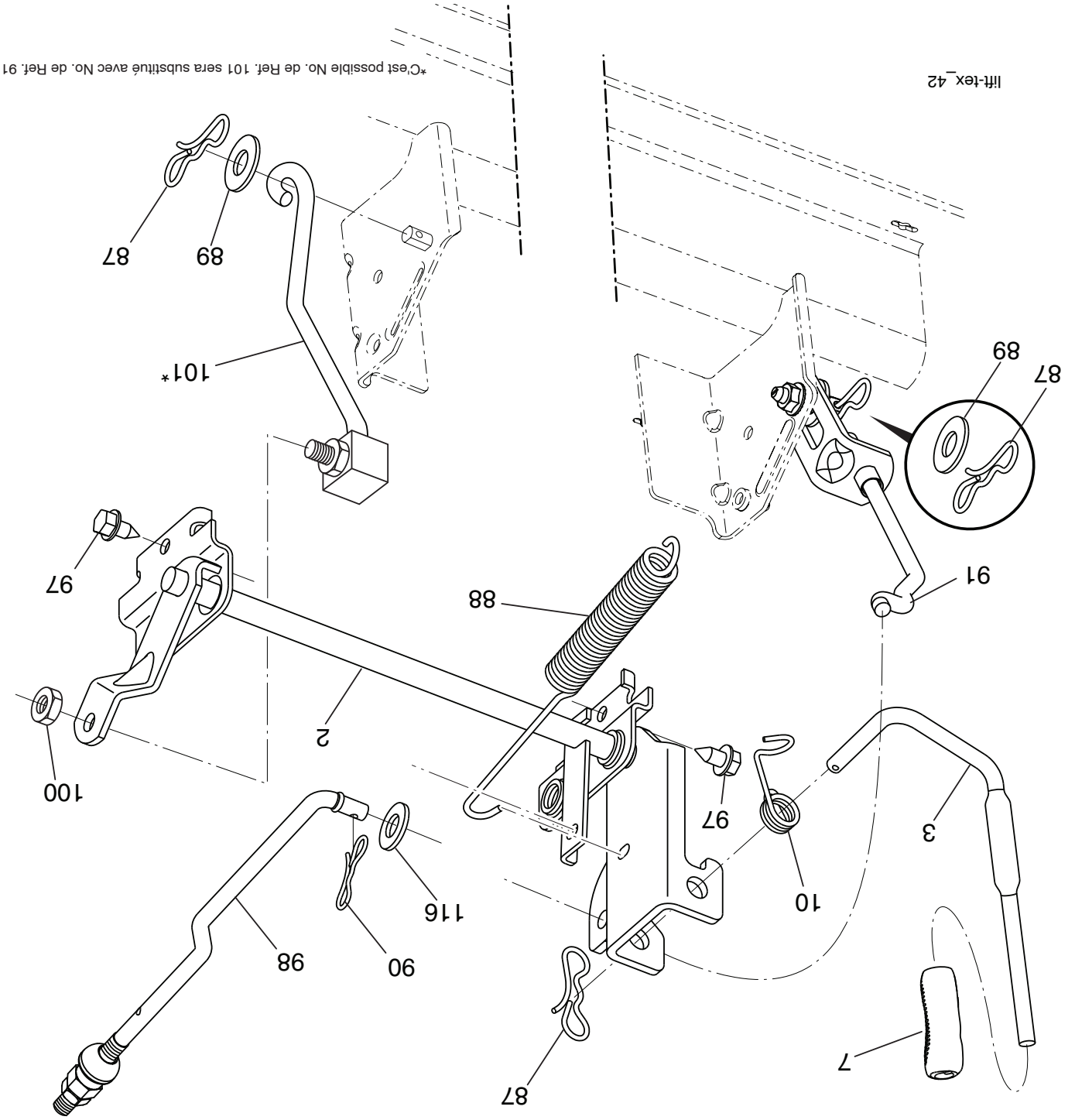
NO.	DÉ	PIÈCE	DESCRIPTION
1			Siège
2			Support de pivot
6			Contre-écrou avec rondelle insert 3/8-16
7			Ressort de compression du siège
8			Boulon 5/16-18 unc x 3/4
10			Panneau du siège
21			Boulon 5/16-18 x 5/8
37			Contre-écrou 5/16-18
40			Poignée glissant du siège
41			Ressort du loquet
43			Boulon 3/8-16 x 3/4
44			Rondelle 13/32 x 2 3/8 x 12 Ja.
46			Boulon 3/8-16 x 1, 1.25 OD

NO.	DÉ	PIÈCE	DESCRIPTION
197661			Poignée glissant du siège
198200			Ressort du loquet
74760612			Boulon 3/8-16 x 3/4
19133812			Rondelle 13/32 x 2 3/8 x 12 Ja.
588090401			Boulon 3/8-16 x 1, 1.25 OD

REMARQUE: Toutes les dimensions de composant sont données en pouces E.-U. -- 1 pouce = 25,4 mm

TRACTEUR - - NUMÉRO DE MODÈLE 944.101060

LEVAGE DE LA TONDEUSE



*C'est possible No. de Réf. 101 sera substituée avec No. de Réf. 91

NO.	DE	DESCRIPTION
91	DE	Tige de levage (C.G.)
90	DE	Goupille fendue 5/16
89	DE	Rondelle clair
88	DE	Ressort du levage
87	DE	Goupille fendue 7/16
10	DE	Ressort de torsion
7	DE	Poignée du levier
445060X428	DE	Levier de levage (C.D.)
422027	DE	Ensemble de l'arbre
97	DE	Vis 3/8-16 x 3/4
98	DE	Tige de levage du suspension avant
100	DE	Ecran
73930600	DE	Tige de levage pas ajustable
19151516	DE	Rondelle 15/32 x 15/16 x 16 Ja.
407003	DE	Tige de levage pas ajustable
1700612	DE	Vis 3/8-16 x 3/4

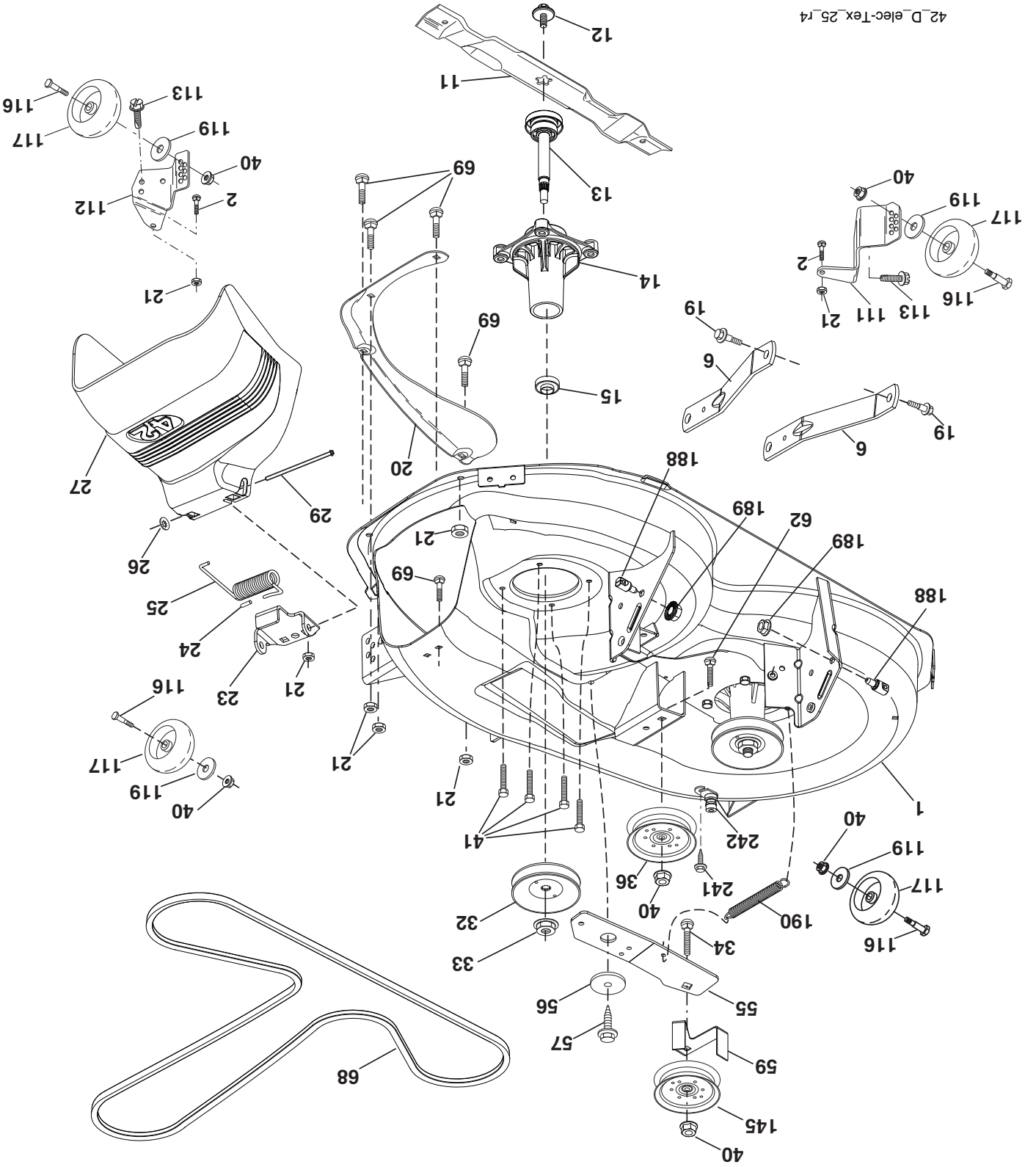
NO.	DE	DESCRIPTION
91	DE	Tige de levage (C.G.)
90	DE	Goupille fendue 5/16
89	DE	Rondelle clair
88	DE	Ressort du levage
87	DE	Goupille fendue 7/16
10	DE	Ressort de torsion
7	DE	Poignée du levier
445060X428	DE	Levier de levage (C.D.)
422027	DE	Ensemble de l'arbre

TRACTEUR - - NUMÉRO DE MODÈLE 944.101060
CARTER DE TONDEUSE

NO. DE DÉ NO.	RÉF. PIÈCE	DESCRIPTION
1	196495X613	Carter de tondeuse
2	72140506	Boulon 5/16-18 unc x 3/4
6	195186	Bras de suspension
11	424752	Lame de faucheuse, 3N1
--	422719	Lame de faucheuse
--	134149	Lame de faucheuse
--	139775	Lame de faucheuse
--	138971	Lame de faucheuse
12	584309301	Vis
13	587256501	Ensemble de l'arbre
14	187281	Carter du mandrin
15	585323901	Roulement à billes du Mandrin
19	196539	Boulon à épaulement
20	159770	Clouson
21	73680500	Ecroû auto-serrant 5/16-18 unc
23	192557	Support du déflecteur
24	105304X	Chapeau de manchon
25	197026	Ressort de torsion
26	110452X	Frein ecrou
27	424469	Déflecteur de décharge
29	131491	Tige à charnière
32	153535	Pouille du Mandrin
33	400234	Ecroû
34	72110612	Boulon 3/8-16 x 1-1/2 Cat. 5
36	197379	Pouille de tension, 4.50 RAW
40	73900600	Ecroû frein 3/8-16 unc
41	584953901	Boulon .313-18 x 1.19
55	437110	Bras du galet-tendeur
56	199092	Entretoise
57	17000616	Vis 3/8-16 x 1
59	141043	Protecteur
62	72110616	Boulon 3/8-16 unc x 2
68	144959	Courroie trapézoïdale
69	72140505	Boulon 5/16-18 x 5/8
111	404784	Support de roue C.G.
112	404785	Support de roue C.D.
113	17000510	Vis 5/16-18
116	4898H	Boulon
117	188606	Support de roue
119	19121414	Rondelle 3/8-7/8 x 14 Ja.
145	193197	Pouille de tension principal
188	195161	Attache
189	73900500	Ecroû frein
190	197251	Ressort
241	152927	Vis
242	415598	Raccord de lavage du plateau de coupe
--	416405	Connecter d'accouplement du rapide
--	586671301	La Tondeuse à gazon de remplacement, Complet
--	587253301	Ensemble du mandrin (Inclut boîtier (no. 14), ensemble arbre (no. 13), et palier seulement (no. 15) - pouille/écrou/rondelette et lame, boulon/rondelette ne pas inclut)

REMARQUE: Toutes les dimensions de composant sont données en pouces E.-U. -- 1 pouce = 25,4 mm.

TRACTEUR - - NUMÉRO DE MODÈLE 944.101060
CARTER DE TONDEUSE



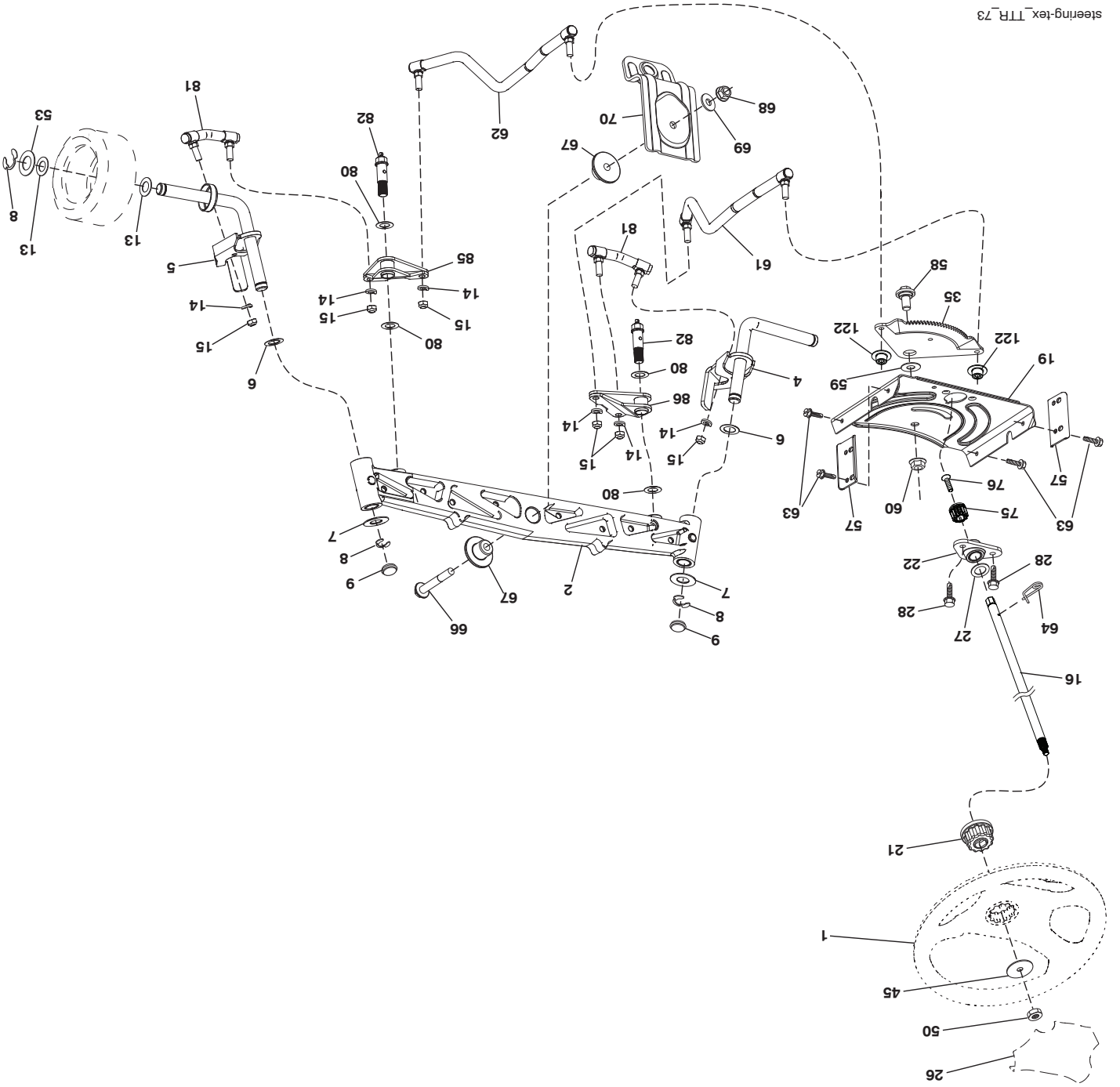
TRACTEUR - - NUMÉRO DE MODÈLE 944.101060

ENSEMBLE DE LA DIRECTION

NO.	DE	RÉF.	PIÈCE	DESCRIPTION
1		414803X428		Volant de direction
2		436870		Assemblage d'essieu
4		436873		Fusée d'arbre (C.G.)
5		436874		Fusée d'arbre (C.D.)
6		6266H		Pallier
7		121748X		Rondelle 25/32 x 1-5/8 x 16 Ja.
8		1200029		Anneau de retenue #T5304-75
9		184946X667		Chapeau de fusée d'arbre
13		121749X		Rondelle 25/32 x 1-1/4 x 16 Ja.
14		10040600		Rondelle 3/8
15		73540600		Écrou 3/8-24 unf
16		587016002		Arbre de direction
19		194729		Plaque de direction
21		586840201		Adaptateur du volant de direction
22		585029901		Douille
26		414852X428		Chapeau du volant de direction
27		19211616		Rondelle 21/32 x 1 x 16 Ja.
28		17000612		Vis 3/8-16 x 3/4
35		440770		Plaque de mécanisme denté
45		587016401		Rondelle 3/8 ID 2-3/8OD 12 Ja.
50		73900600		Écrou 3/8-16 unc
53		188967		Rondelle .793 x 1.637 x .060
57		407465		Support
58		194747		Boulon
59		194748		Rondelle
60		73971000		Contre-écrou collerette 5/8-11
61		436884		Tige de direction (C.G.)
62		436885		Tige de direction (C.D.)
63		17000512		Vis 5/16-18 x 3/4
64		199849		Collier de retenue
66		71020748		Boulon 7/16-14 x 3
67		194737		Coussinet
68		73900700		Contre-écrou collerette 7/16-14 Cat. 5
69		199162		Rondelle 1.5 x .505 x .118
70		585338801		Support du suspension de tondeuse
75		580683701		Pignon
76		580683601		Vis
80		1370H		Rondelle
81		436887		Lien (C.D.)
82		442147		Boulon de pivot
85		441873		Pivot (C.D.)
86		441872		Pivot (C.G.)
122		444962		Chapeau

REMARQUE: Toutes les dimensions de composant sont données en pouces E.-U. --1 pouce = 25,4 mm

TRACTEUR - - NUMÉRO DE MODÈLE 944.101060
ENSEMBLE DE LA DIRECTION



steering-tex_TTR_73

TRACTEUR - - NUMÉRO DE MODÈLE 944.101060

MOTEUR

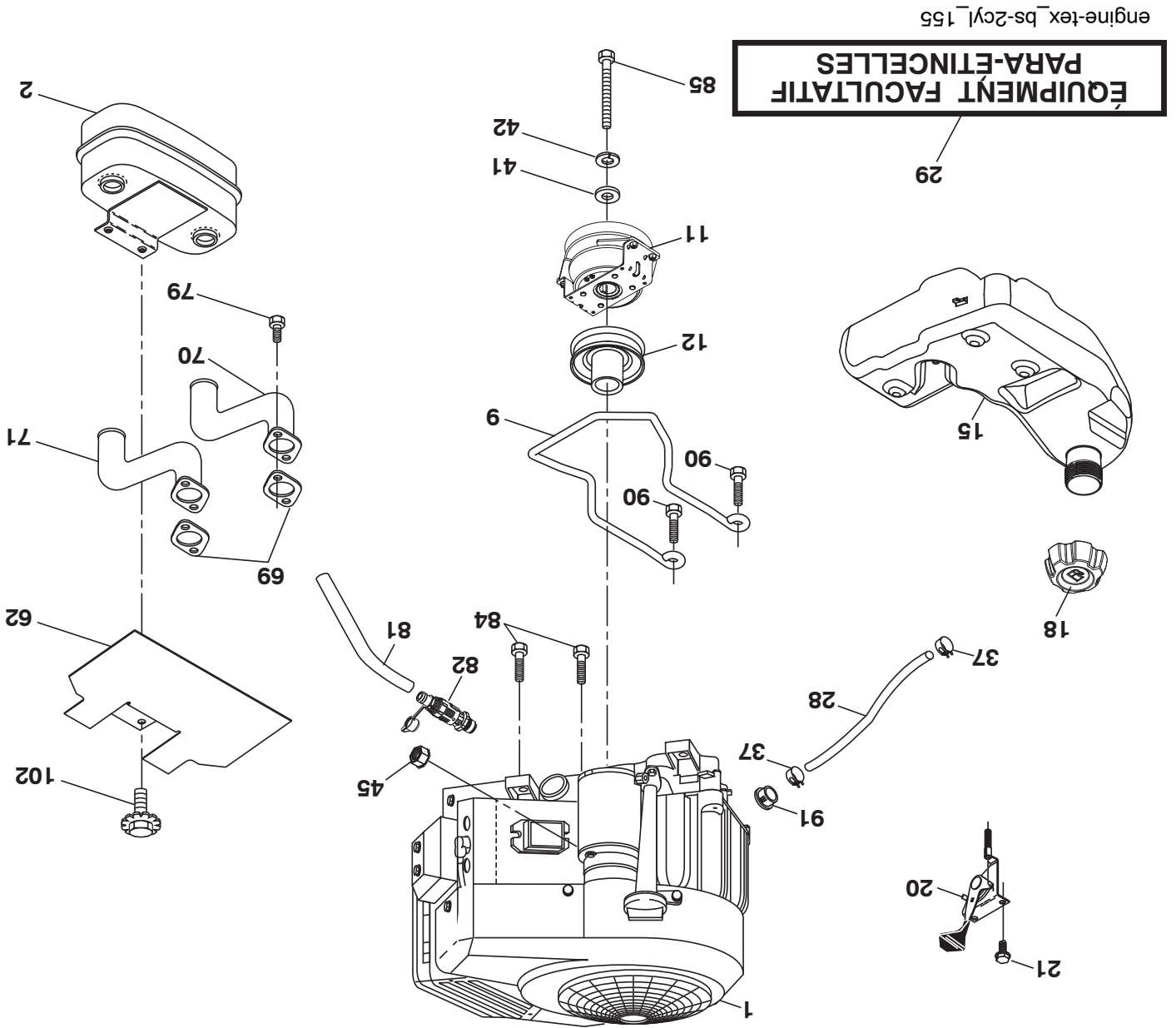
NO. NO. DE REF. DE REF. PIÉCE DESCRIPTION

1	----	Moteur B&S No. de modèle 44R677-0026-G1 (586607601) (Voir l'assemblage du moteur.)
2	445962	Silencieux
9	501832601	Garde du courroie du moteur
11	587241501	Embrayage
12	405097	Pouille du moteur
15	532438025	Réservoir d'essence
18	585124802	Chapeau d'essence
20	421473X428	Commande des gaz et l'étrangleur
21	416358	Vis 10 x .750
28	401135	Conduite d'essence
29	137180	Jeu de pare - étincelles
37	123487X	Collier de serrage pour tuyaux flexibles
41	126197X	Rondelle 1-1/2 x 15/32 x .250
42	10040700	Rondelle 7/16
45	73510400	Ecroû 1/4-20 unc
62	434017	Pare-chaleur du silencieux
69	165391	Garniture
70	581881101	Tube d'échappement (C.G.)
71	581881001	Tube d'échappement (C.D.)
79	183906	Vis 5/16-18 x 1
81	148456	Tuyau
82	428287	Soupape
84	17060620	Vis 3/8-16 x 1-1/4
85	581332804	Boulon 7/16-20 x 3.5 Gr. 5
90	17000616	Vis 3/8-16 x 1.0
91	187495	Douille
102	17000512	Vis 5/16-18 x 3/4

REMARQUE: Toutes les dimensions de composant sont données en pouce d'E.-U. - - 1 pouce = 25,4 mm.

Informations concernant la puissance théorique du moteur

La puissance brute pour chaque Modèle de moteur à essence est indiquée conformément au code J1940 (procédure de calcul de la puissance et du couple des petits moteurs) de la SAE (Society of Automotive Engineers) et les performances théoriques ont été obtenues et corrigées selon SAE J1995 (révision 2002-05). Les valeurs de couple sont calculées sur la base de 3060tr/min et celles de puissance sur la base de 3600tr/min. La puissance brute réelle du moteur peut être plus faible notamment à cause des conditions de fonctionnement et des variations d'un moteur à l'autre. Compte tenu de la grande variété de machines sur lesquelles nos moteurs sont utilisés et du nombre de problèmes environnementaux applicables au fonctionnement des équipements, il se peut que le moteur à essence ne développe pas sa puissance théorique une fois qu'il est monté sur une machine particulière (puissance nette ou réelle « sur site»). Cette différence s'explique par un grand nombre de facteurs, tels que (liste non limitative): accessoires (filtre à air, échappement, admission, refroidissement, carburateur, pompe à essence, etc.), limites d'utilisation, conditions ambiantes d'utilisation (température, humidité, altitude) et variations d'un moteur à l'autre. Pour des raisons de fabrication et de capacité limitées, Briggs & Stratton est susceptible de remplacer ce Modèle par un moteur plus puissant.



TRACTEUR - - NUMÉRO DE MODÈLE 944.101060

ENTRAÎNEMENT

NO. DE DÉ	REF. PIÈCE	DESCRIPTION	NO. DE DÉ	REF. PIÈCE	DESCRIPTION
1	---	Transmission, TUFFTORQ K46BT	184	1964439X428	Poignée de frein de stationnement
2	123583X	Cle	185	72110622	Boulon 3/8-16 x 2-3/4 Cat. 5
15	19131316	Rondelle 13/32 x 13/16 x 16 Ja.	187	19133210	Rondelle
17	413678	Ressort du frein	188	582217001	Raccord d'embrayage longue
26	199679	Tige d'embrayage, croisère	189	194317	Support du poulies
29	403806	Tige du frein	190	194318	Garde du poulie
33	12000001	Anneau "E"	196	17000616	Vis 3/8-16 x 1
35	583864501	Tige du frein de stationnement	197	585658601	Raccord D'embrayage
37	188967	Rondelle	205	121748X	Rondelle
42	8883R	Couverture de la pédale	206	448596	Support, croisère
49	72110614	Boulon	207	587031401	Commande de verrou croisère
50	194327	Poulie du galet-tendeur	208	197869	Commande de secteur de vitesse, croisère
51	73900600	Contre-écrou 3/8-16	209	199592	Tige du croisère
52	194326	Poulie	210	400980	Culbuteur commande de pédale
56	130969	Courroie trapézoïdale	211	120183X	Nylon de roulement
64	197865	Ensemble de l'arbre	213	196441X428	Bouton, croisère
73	74490540	Boulon 5/16-18 x 2-1/2 Cat. 5	214	421263	Pédale en avant
92	74760520	Boulon 5/16-18 unc x 1.25	215	197301X428	Inverse de pédale
99	415742	Tige de dérivation	216	196131	Support
116	73900500	Contre-écrou collière 5/16-18	221	403187	Ressort du retenue
125	17000512	Vis 5/16-18 x 3/4	222	79212010	Rondelle 21/32 x 1-1/4 x 10 Ja.
143	17490508	Vis	225	403319	Guide-Courroie Transmission
153	4497H	Ressort de retenue	227	17490512	Vis 5/16-18 x 3/4
159	76020412	Epingle goupille 1/8 x 3/4	325	585668502	Support
160	169484	Collier de retenue	326	585670802	Support
161	105709X	Ressort du rappel d'embrayage	336	587259601	Boulon
163	448275	Tige du commande de pédale			
166	429164	Ecrou .625			
167	405257	Loquet du frein de stationnement			
170	194322	Garde du poulie			
171	72110616	Boulon 3/8-16 x 2			
183	137057	Entroîse d'essieu			

REMARQUE: Toutes les dimensions de composant sont données en pouces E.-U. --1 pouce = 25,4 mm

TRACTEUR - - NUMÉRO DE MODÈLE 944.101060

CHÂSSIS/ENCEINTES

NO.	DE	RÉF.	DESCRIPTION
5	580485906		Tableau De Bord
14	580354407		Capot
15	580485601		Lentille CG
18	580485302		Calandre
25	580484501		Lentille CD
34	580910801		Plaque de moteur
35	191111116		Rondelle 11/32 x 11/16 x 16 Ja.
36	17060512		Vis 5/16-18 x 3/4
37	414878X428		Aile
52	73680500		Ecrou 5/16-18
52	73680500		Ecrou 5/16-18
68	17490508		Vis 5/16-18 x 1/2
102	4497H		Ressort De Retenue "
125	581684801		Pince
130	416358		Vis # 10 x .750
137	407590		Pare-Chocs
138	193224X428		Porte-gobele
146	581857901		Boulon
150	585238002		Canalisation
151	580663302		Support
152	199535		Deflecteur
159	17000612		Vis 3/8-16 x 3/4
161	193229X428		Fenêtre De Carburant
162	142432		Vis 1/4 x 1/2
165	196826		Support
175	196304		Pièce D'entretouement
176	400776		Vis 10-24 x 5/8
177	195228		Coussinet
180	195457		Chassis
181	193102X428		Coussinet
182	406859		Tableau de bord inférieur
183	74520520		Boulon 5/16-18 x 1-1/4
189	17000512		Vis 5/16-18 x 3/4
191	580485101		Phare/Lentille CD
194	73900500		Ecrou 5/16-18
195	4015556X428		Bouchon
196	431658		Ensemble de console
202	580485002		Couvercle garniture inférieure CD
203	580484802		Couvercle garniture inférieure CG
204	580484701		Ventille
205	580843707		Ensemble d'angle CD
206	580843807		Ensemble d'angle CG
213	74760512		Boulon 5/16-18 unc x 3/4
218	580897301		Ensemble du pivot du capot
228	195161		Attache A Tenon
235	406129		Entretoise De L'aile
236	73930500		Ecrou 5/16-18
287	17600406		Vis 1/4-20 x 3/8
297	580484901		Phare/Lentille CG
298	580851001		Écrou
306	73900600		Écrou
335	580484602		Couvercle latéral CD
336	580484402		Couvercle latéral CG
350	445143		Pince
363	580724501		Chapeau
364	17060408		Vis
369	421756		Vis #10 x 0.500

REMARQUE: Toutes les dimensions de composant sont données en pouces E.-U. -- 1 pouce = 25,4 mm

TRACTEUR - - NUMÉRO DE MODÈLE 944.101060

ELECTRIQUE

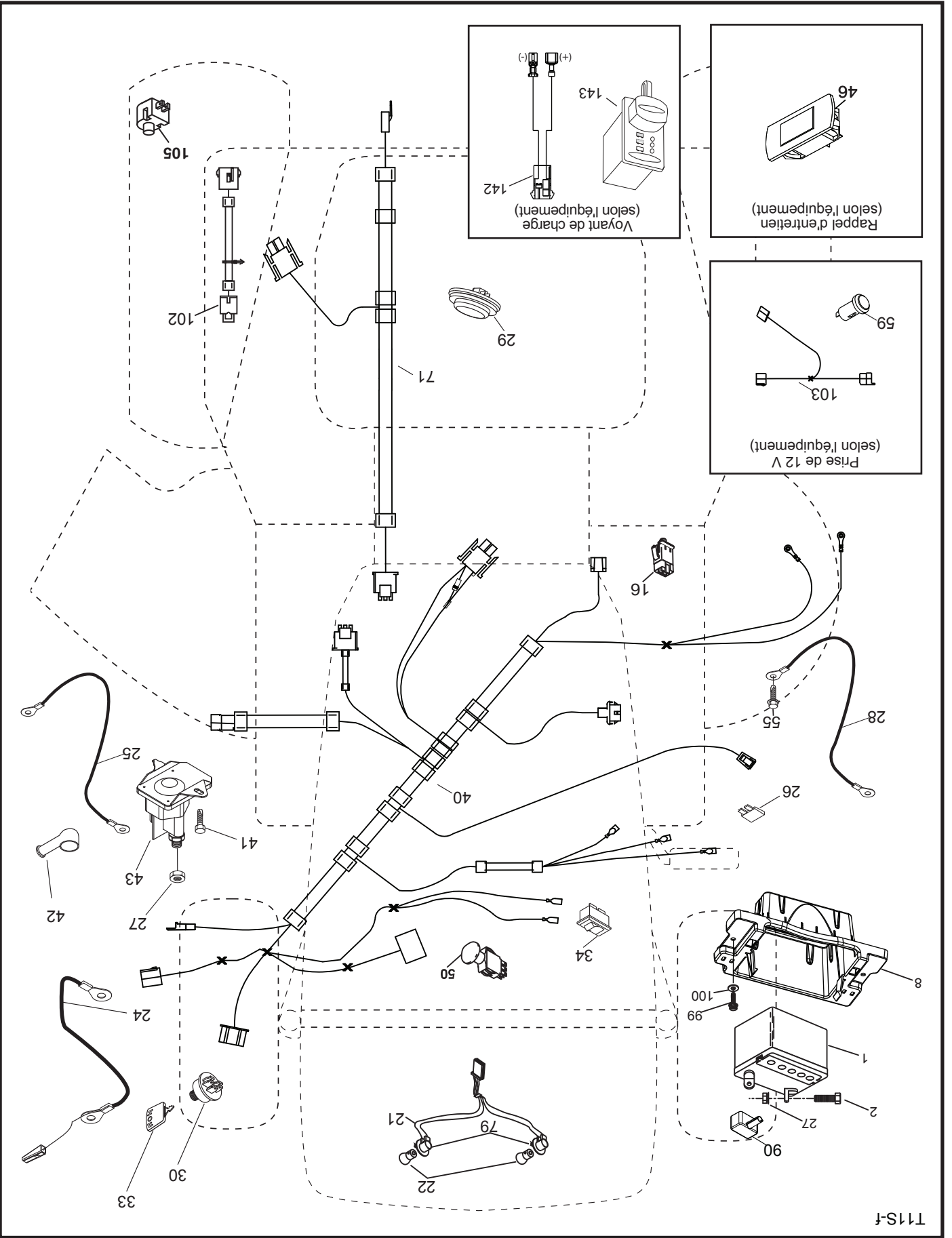
NO.	DE	REF.	DESCRIPTION
1		163465	Batterie
2		74760412	Boulon 1/4-20 unc x 3/4
8		587205101	Bac de batterie
16		176138	Interrupteur
21		400252	Harnais de prise de courant d'ampoule 4152J
22		4152J	Ampoule
24		5855555601	Câble de Batterie 8"
25		5855555501	Câble 6 Ja. 17.5"
26		175158	Fusible
27		73510400	Écrou 1/4-20 unc
28		416588	Câble
29		401545	Interrupteur de siège
30		193350	Interrupteur d'allumage
33		411934	Clé/Chaîne
34		110712X	Interrupteur des phares
40		501132901	Harnais d'allumage
41		17720408	Vis 1/4-20 x 1/2
42		131563	Couvercle de borne
43		192507	Solénoïde
46		586161801	L'indicateur d'heures
50		582107602	Interrupteur PTO
55		17060612	Vis 5/16-18 x 3/4
71		194276	Harnais d'allumage
79		175242	Prise de courant d'ampoule
90		435395	Couvercle du borne de batterie
99		17670412	Vis 1/4-20 x 3/4
100		19091416	Rondelle 9/32 x 7/8 x 16 Ja.
102		404454	Harnais de tresse
105		407568	Inverseur

REMARQUE: Toutes les dimensions de composant sont données en pouces E.-U. -- 1 pouce = 25,4 mm

TRACTEUR - - NUMÉRO DE MODÈLE 944.101060

ELECTRIQUE

T11S-F



COMMENT UTILISER CE MANUEL

Ce manuel a été dessiné pour fournir le client avec les moyens d'identification des pièces de détails du tracteur quand il/elle a besoin de commander les pièces de rechange. Les illustrations ne peuvent pas représenter exactement le modèle que vous avez acheté. N'utilisez pas ce manuel comme un guide dans le montage et/ou démontage de votre tracteur. La visserie montrée est plus grande pour faciliter l'identification.

Chaque tracteur a un numéro de modèle particulier.

Le numéro de modèle du produit se trouvera sur l'aile, dessous le siège.

Lorsque vous commandez des pièces de rechange, donnez toujours les renseignements suivants:

- Produit - "TRACTEUR"
- NUMÉRO DU MODÈLE - "944.101060"
- Numéro de la Pièce
- Description de la Pièce

TABLE DE MATIERES

SCHEMA.....	3
ELECTRIQUE.....	4-5
CHASSIS/ENCEINTES.....	6-7
ENTRAÎNEMENT.....	8-9
MOTEUR.....	10-11
ENSEMBLE DE LA DIRECTION.....	12-13
CARTER DE TONDEUSE.....	14-15
LEVAGE DE LA TONDEUSE.....	16
ENSEMBLE DU SIÈGE.....	17
DECALCOMANIES.....	18
VOYEZ LES DÉTAILS DE MOTOR.....	19-23
VOYEZ LES DÉTAILS DE TRANSMISSION.....	24-25
GARANTIE.....	26
ENTRETIEN DE "SEARS".....	28

Sears Canada, Inc., Toronto, Ontario MSB 2B8

* La puissance nominale indiquée par le fabricant du moteur est la puissance brute moyenne (à un régime en tr/min spécifique) d'un moteur de production type pour le modèle de moteur mesuré selon les normes SAE pour la puissance brute du moteur. Se reporter au fabricant du moteur pour tous les détails.

**22 C.V.*
DÉMARRAGE ÉLECTRIQUE
TONDEUSE DE 107 CM (42 PO.)
AUTOMATIQUE
TRACTEUR DE PELOUSE**



Importante: Lisez
et suivez le mode
d'emploi et toutes
les règles de sécu-
rité avant d'utiliser
cet équipement.

**NUMÉRO DE
MODÈLE
944.101060**

**SEARS
MANUEL DE
PIÈCES DE
RECHANGE**

