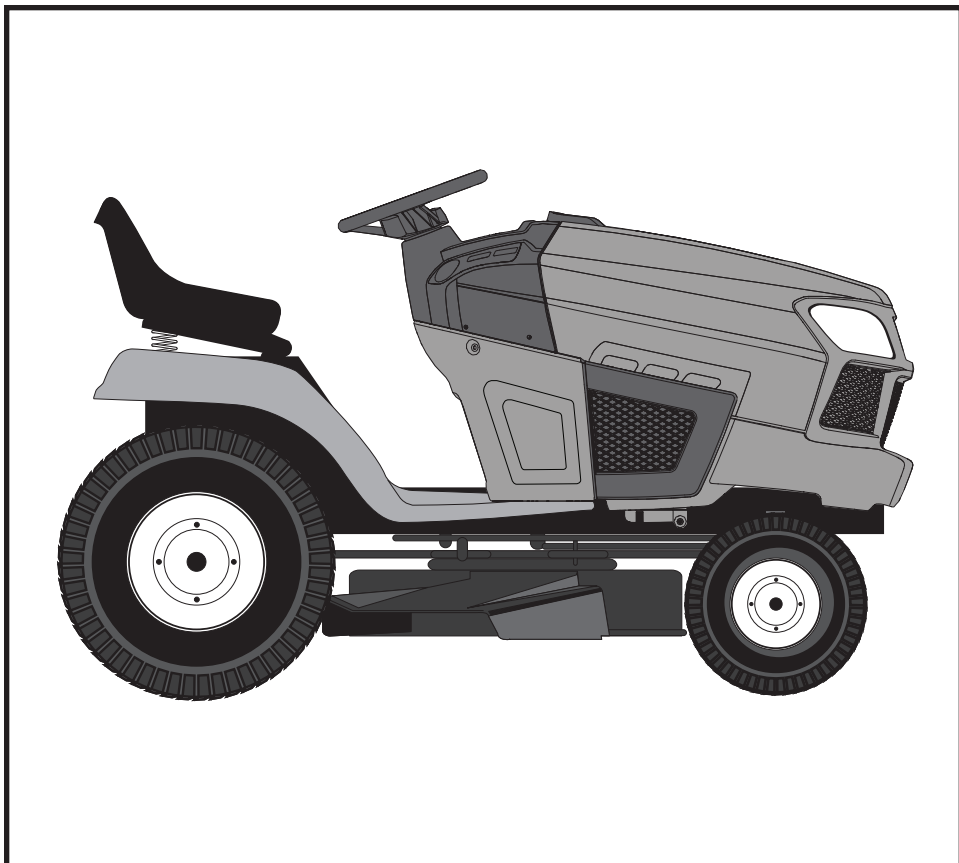


**SEARS**  
REPAIR  
PARTS  
MANUAL

**MODEL NO.**  
**944.604230**

**IMPORTANT:**  
Read and follow  
all Safety Rules  
and Instructions  
Before Operating  
This Equipment



**CRAFTSMAN®**

**19.0 HP\***  
**ELECTRIC START**  
**42" MOWER**  
**AUTOMATIC TRANSMISSION**  
**LAWN TRACTOR**

\* The power rating as declared by the engine manufacturer is the average gross power output at the specified RPM of a typical production engine for the engine model measured using SAE Standards for engine gross power. Please refer to the engine manufacturer for details.

**Sears Canada, Inc., Toronto, Ontario M5B 2B8**

**587754924 Rev. 7**

10.04.2016 JSE  
Printed in the U.S.A.

# HOW TO USE THIS MANUAL

This manual is designed to provide the customer with a means to identify the parts on his/her tractor when ordering repair parts. The illustrations may or may not represent the actual assemblies; therefore, it is not recommended to use this manual as a guide to assemble or disassemble the tractor. Some hardware and parts are drawn larger in order to more readily identify them.

Each tractor has its own model number.

The model number for your tractor can be found on the fender under the seat.

When ordering parts, always give the following information:

- Product - "Tractor"
- MODEL NUMBER - "944.604230"
- Part Number
- Part Description

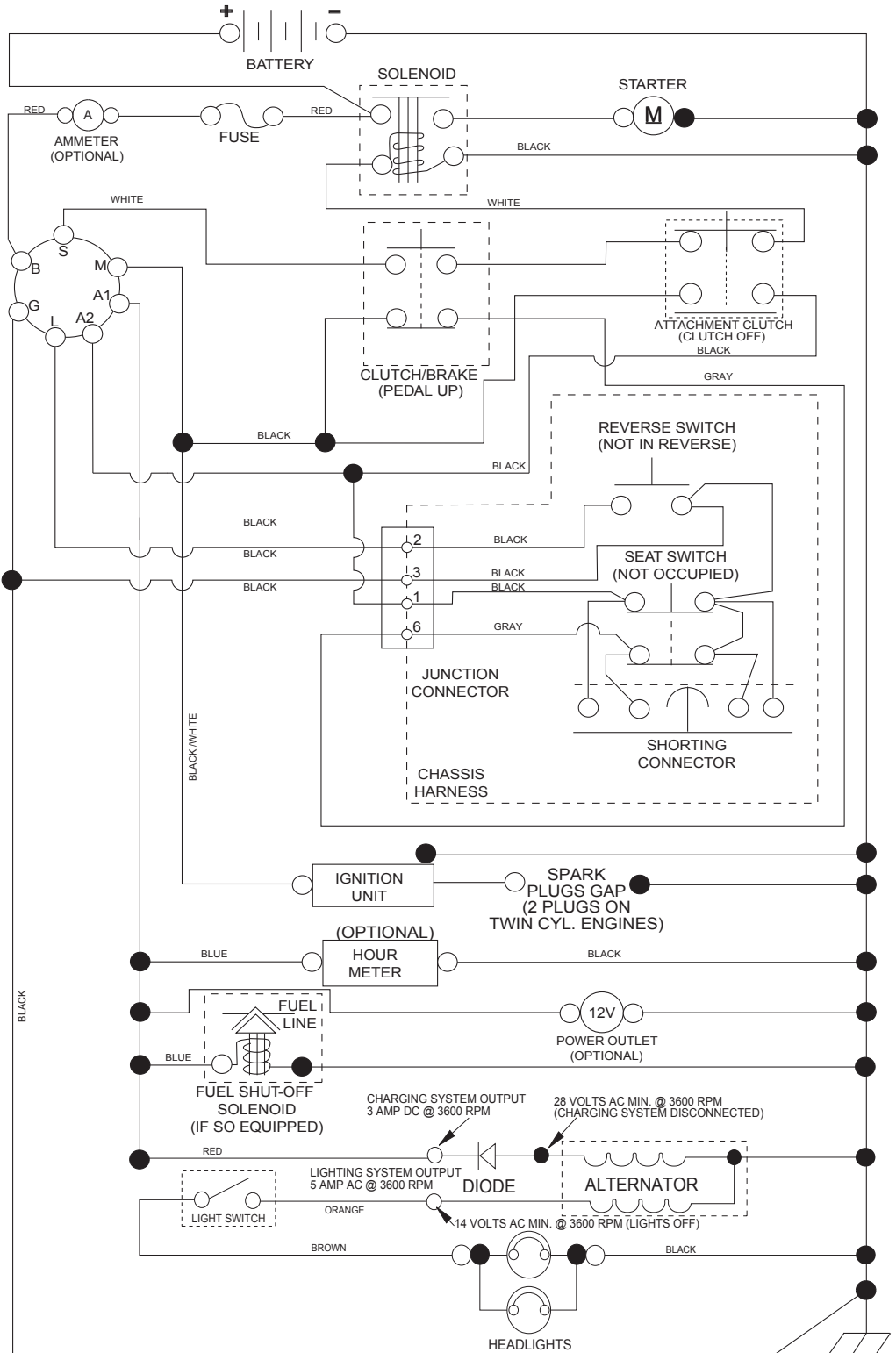
## TABLE OF CONTENTS

|                       |       |
|-----------------------|-------|
| SCHEMATIC .....       | 3     |
| ELECTRICAL.....       | 4-5   |
| CHASSIS .....         | 6-7   |
| DRIVE.....            | 8-9   |
| ENGINE.....           | 10-11 |
| STEERING .....        | 12-13 |
| MOWER DECK .....      | 14-15 |
| MOWER LIFT.....       | 16    |
| SEAT .....            | 17    |
| DECALS.....           | 18    |
| ENGINE BREAKDOWN..... | 20-23 |
| SEARS SERVICE .....   | 24    |

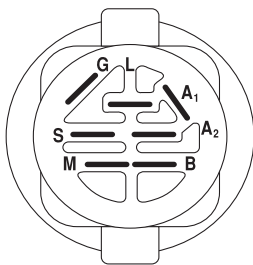
# TRACTOR - - MODEL NUMBER 944.604230

## SCHEMATIC

SCH11

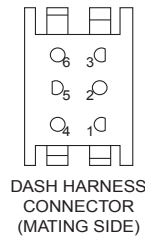
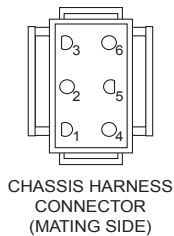


**NOTE**  
 YOUR TRACTOR IS EQUIPPED WITH A SPECIAL ALTERNATOR SYSTEM. THE LIGHTS ARE NOT CONNECTED TO THE BATTERY, BUT HAVE THEIR OWN ELECTRICAL SOURCE. BECAUSE OF THIS, THE BRIGHTNESS OF THE LIGHTS WILL CHANGE WITH ENGINE SPEED. AT IDLE THE LIGHTS WILL DIM. AS THE ENGINE IS SPEEDED UP, THE LIGHTS WILL BECOME THEIR BRIGHTEST.

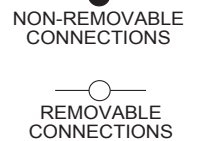


IGNITION SWITCH

| POSITION     | CIRCUIT    | "MAKE" |
|--------------|------------|--------|
| OFF          | M+G+A1     |        |
| RUN/OVERRIDE | B+A1       |        |
| RUN          | B+A1       | L+A2   |
| START        | B + S + A1 |        |

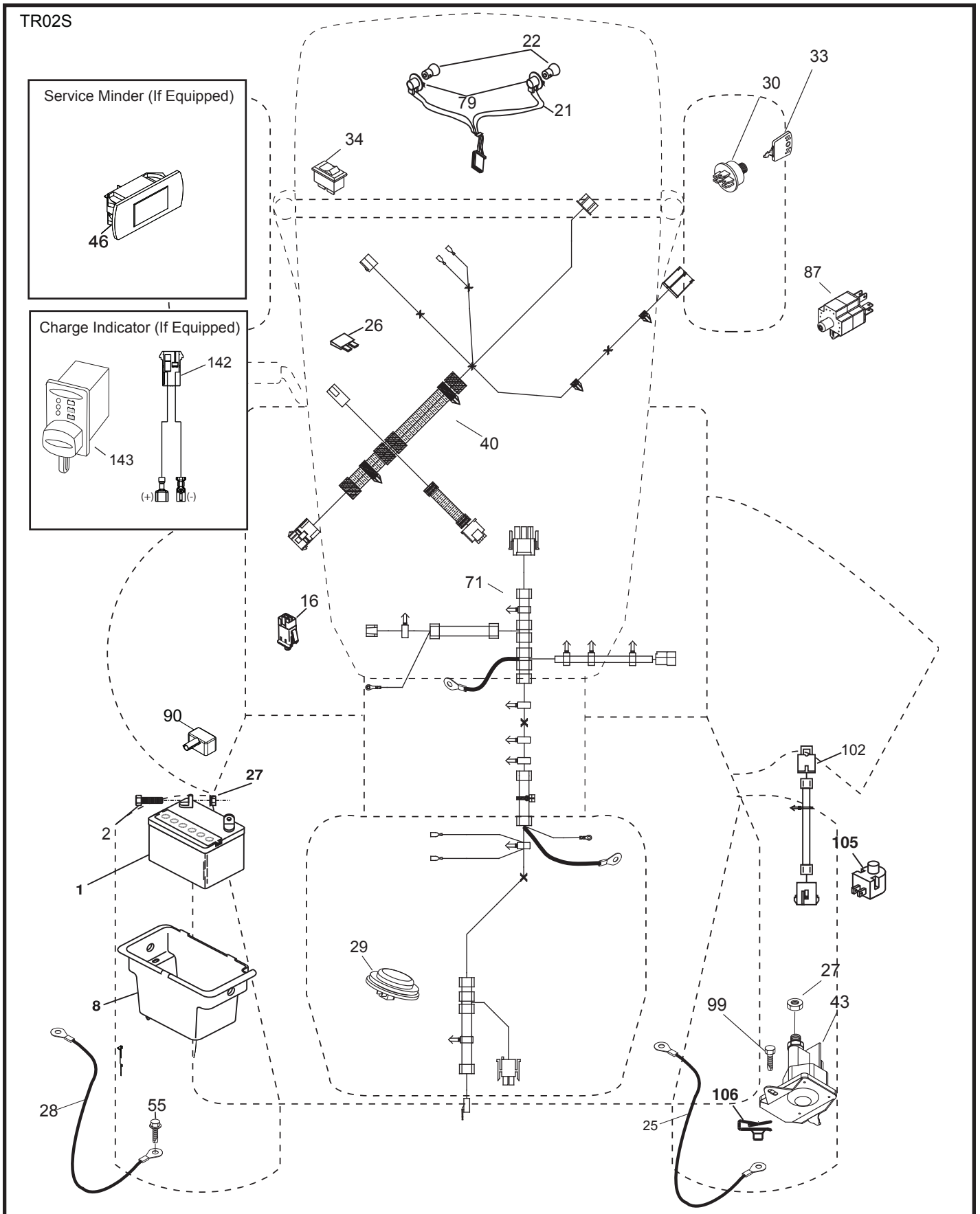


WIRING INSULATED CLIPS  
 NOTE: IF WIRING INSULATED CLIPS WERE REMOVED FOR SERVICING OF UNIT, THEY SHOULD BE RE-INSTALLED TO PROPERLY SECURE YOUR WIRING.



# TRACTOR - - MODEL NUMBER 944.604230

## ELECTRICAL



# TRACTOR - - MODEL NUMBER 944.604230

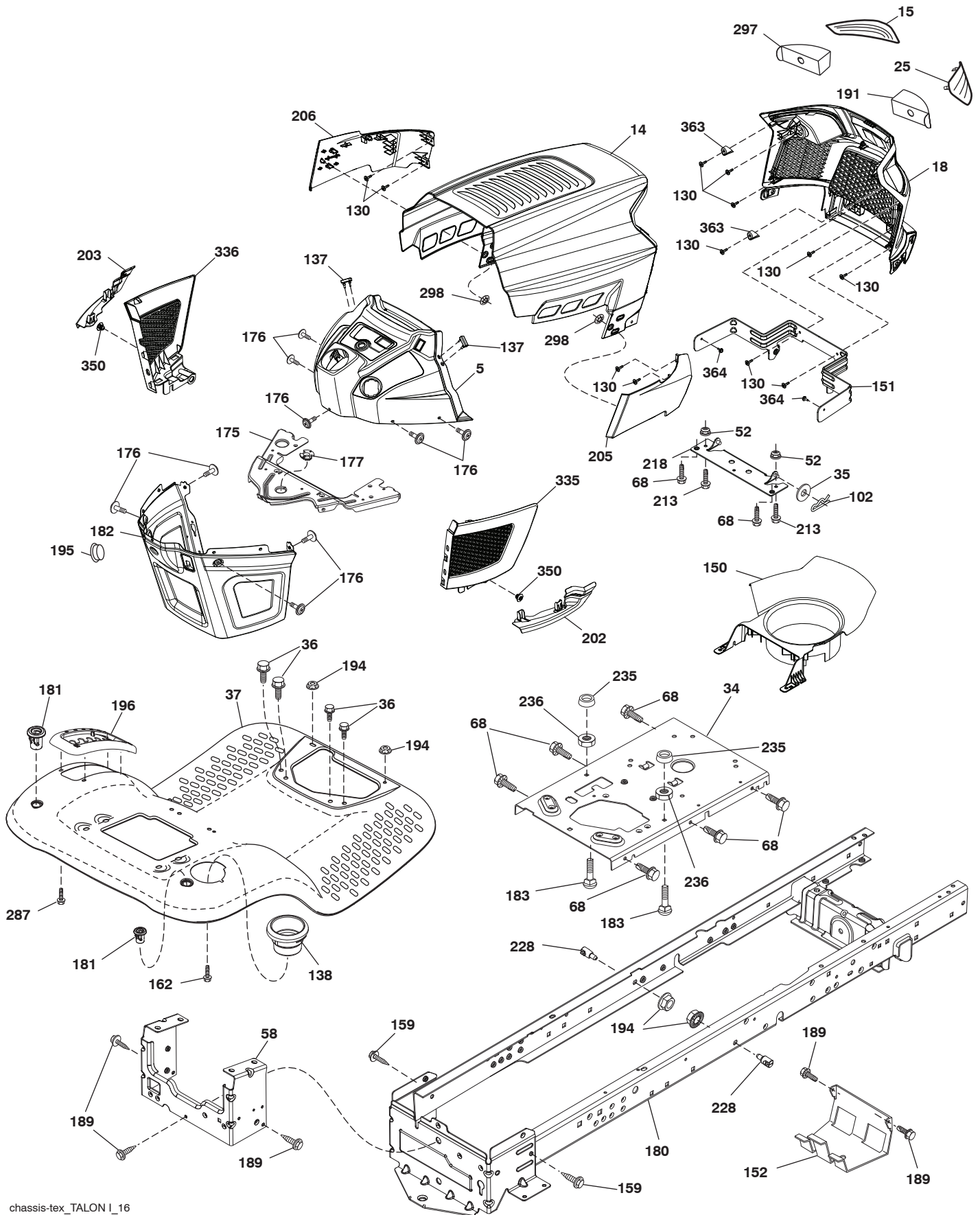
## ELECTRICAL

| KEY NO. | PART NO.  | DESCRIPTION  |
|---------|-----------|--|
| 1       | 163465    | Battery  |
| 2       | 74760412  | Bolt Hex Hd 1/4-20 unc x 3/4                                     |
| 8       | 193228    | Box Battery  |
| 16      | 176138    | Switch Interlock Push-In   |
| 21      | 400252    | Harness Socket Light w/4152J                                     |
| 22      | 4152J     | Bulb Light   |
| 25      | 581498001 | Cable Starter  |
| 26      | 175158    | Fuse   |
| 27      | 73510400  | Nut Keps Hex 1/4-20 unc  |
| 28      | 421686    | Cable, Ground  |
| 29      | 401545    | Switch, Seat   |
| 30      | 193350    | Switch, Ign  |
| 33      | 411934    | Key/Chain  |
| 34      | 110712X   | Switch Light / Reset   |
| 40      | 401098    | Harness Ign. Dash<br><b>(if equipped with front solenoid)</b>    |
| --      | 581023101 | Harness Ign. Dash<br><b>(if equipped with rear solenoid)</b>     |
| 43      | 192507    | Solenoid   |
| 55      | 17060512  | Screw Thdrol 5/16-18 x 3/4 TYTT                                  |
| 71      | 400449    | Harness Ign. Chassis<br><b>(if equipped with front solenoid)</b> |
| --      | 581023001 | Harness Ign. Chassis<br><b>(if equipped with rear solenoid)</b>  |
| 79      | 175242    | Bulbholder Asm. Incandescent                                     |
| 87      | 197802    | Switch Interlock Clutch Cable                                    |
| 90      | 435395    | Cover Terminal Battery   |
| 99      | 17670412  | Screw Hexwsh thdro; 1/4-20 unc                                   |
| 102     | 581901601 | Harness Pigtail  |
| 105     | 407568    | Switch Reverse   |
| 106     | 174814    | Palnut 1/4 Lugs  |

**NOTE:** All component dimensions given in U.S. inches  
1 inch = 25.4 mm

# TRACTOR - - MODEL NUMBER 944.604230

## CHASSIS



# TRACTOR - - MODEL NUMBER 944.604230

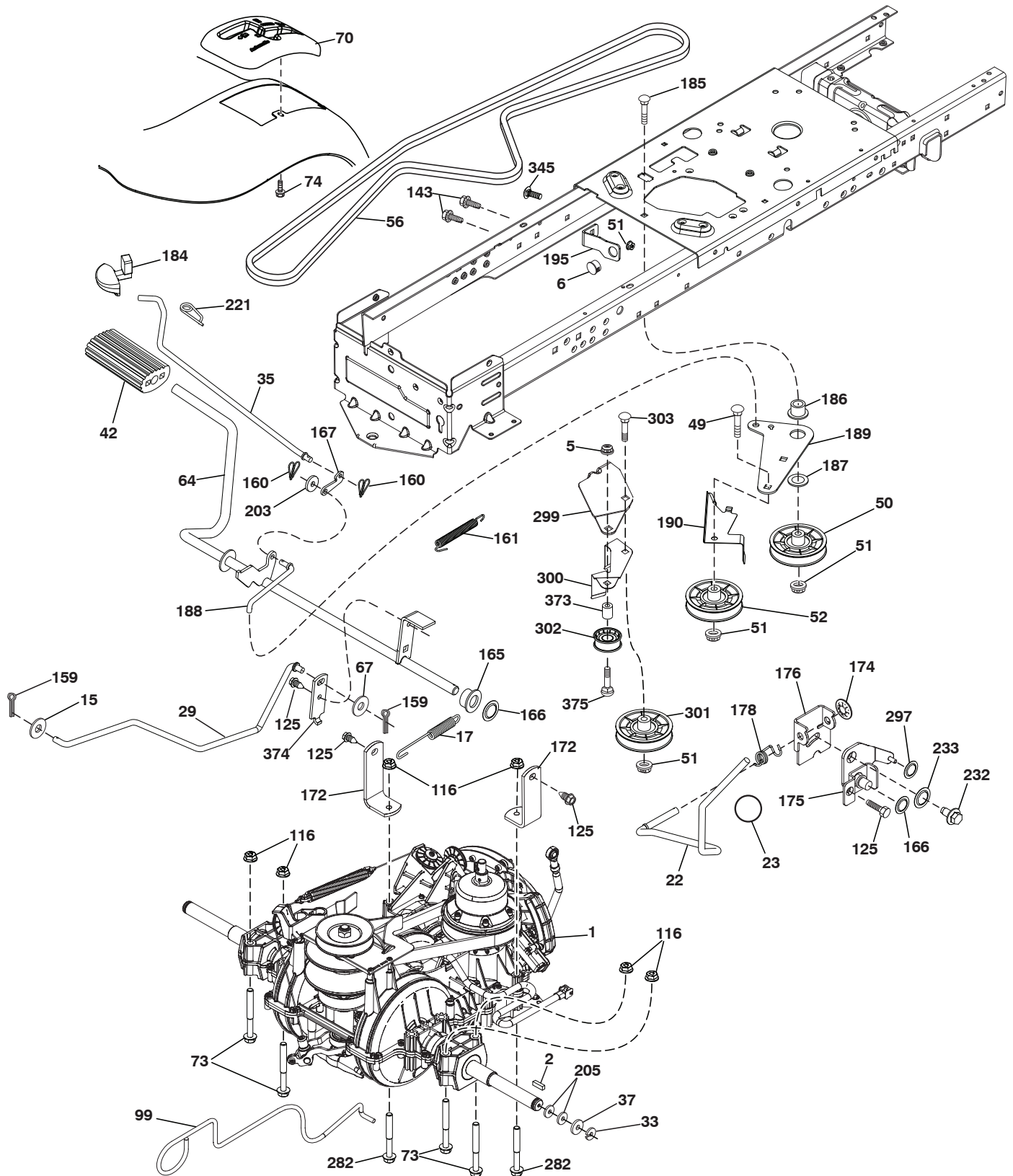
## CHASSIS

| KEY PART<br>NO. NO. | DESCRIPTION | KEY PART<br>NO. NO.              | DESCRIPTION |            |                                 |
|---------------------|-------------|----------------------------------|-------------|------------|---------------------------------|
| 5                   | 580485903   | Dash                             | 191         | 580485101  | Mylar Headlight RH              |
| 14                  | 580354405   | Hood                             | 194         | 73900500   | Nut Lock Hex Flange 5/16-18     |
| 15                  | 580485601   | Lens LH                          | 195         | 401556X428 | Plug Hole Dash 12V Adapter      |
| 18                  | 580485302   | Grille                           | 196         | 431658     | Console Asm. Deck Lift          |
| 25                  | 580484501   | Lens RH                          | 202         | 580485003  | C-Closeout Lwr Trm RH           |
| 34                  | 580910801   | Plate engine                     | 203         | 580484803  | C-Closeout Lwr Trm LH           |
| 35                  | 19111116    | Washer 11/32 x 11/16 x 16 Ga.    | 205         | 580843708  | Assembly Corner RH              |
| 36                  | 17060512    | Screw 5/16-18 x 3/4              | 206         | 580843808  | Assembly Corner LH              |
| 37                  | 414872X613  | Fender                           | 213         | 74760512   | Bolt hex HD 5/16-18 unc x 3/4   |
| 52                  | 73680500    | Nut Crown lock 5/16-18           | 218         | 580897301  | Pivot Hood Assy                 |
| 58                  | 412280      | Drawbar upper                    | 228         | 195161     | Stud Fastener                   |
| 68                  | 17490508    | Screw Thdrol 5/16-18 x 1/2       | 235         | 406129     | Spacer Fender                   |
| 102                 | 4497H       | Retainer Spring 1"               | 236         | 73930500   | Nut Center Lock 5/16-18         |
| 125                 | 581684801   | Clip Fuel Line                   | 287         | 17600406   | Screw Hex Washhead 1/4-20 x 3/8 |
| 130                 | 416358      | Screw # 10 x .750 BOS Thread     | 297         | 580484901  | Mylar Headlights LH             |
| 137                 | 407590      | Bumper Dash                      | 298         | 580851001  | Nut Push                        |
| 138                 | 193224X428  | Cupholder                        | 306         | 73900600   | Nut                             |
| 146                 | 581857901   | Bolt                             | 335         | 580484602  | C-Side Closeout RH              |
| 150                 | 580485503   | Duct Heat Hood                   | 336         | 580484402  | C-Side Closeout LH              |
| 151                 | 580663302   | Bracket Pivot                    | 350         | 445143     | Clip X-Mass Tree                |
| 152                 | 199535      | Shield Browning/Debris           | 363         | 580724501  | Cap Talon Grille                |
| 159                 | 17000612    | Screw Hexwsh Thdrol 3/8-16 x 3/4 | 364         | 17060408   | Screw                           |
| 162                 | 142432      | Screw Hex Wsh Hi-Lo 1/4 x 1/2    | - - -       | 404951X428 | Plug Dash SRVMNDR               |
| 175                 | 196304      | Crossmember                      |             |            |                                 |
| 176                 | 400776      | Screw 10-24 x 5/8 Wshd Qdrx      |             |            |                                 |
| 177                 | 195228      | Bushing Steering                 |             |            |                                 |
| 180                 | 415063      | Chassis                          |             |            |                                 |
| 181                 | 193102X428  | Bushing Mtg. Fender Crgo.        |             |            |                                 |
| 182                 | 586738602   | Dash Lower                       |             |            |                                 |
| 183                 | 74520520    | Bolt 5/16-18 x 1-1/4             |             |            |                                 |
| 189                 | 17000512    | Screw 5/16-18 x 3/4              |             |            |                                 |

**NOTE:** All component dimensions given in U.S. inches  
1 inch = 25.4 mm

# TRACTOR - - MODEL NUMBER 944.604230

## DRIVE





# TRACTOR - - MODEL NUMBER 944.604230

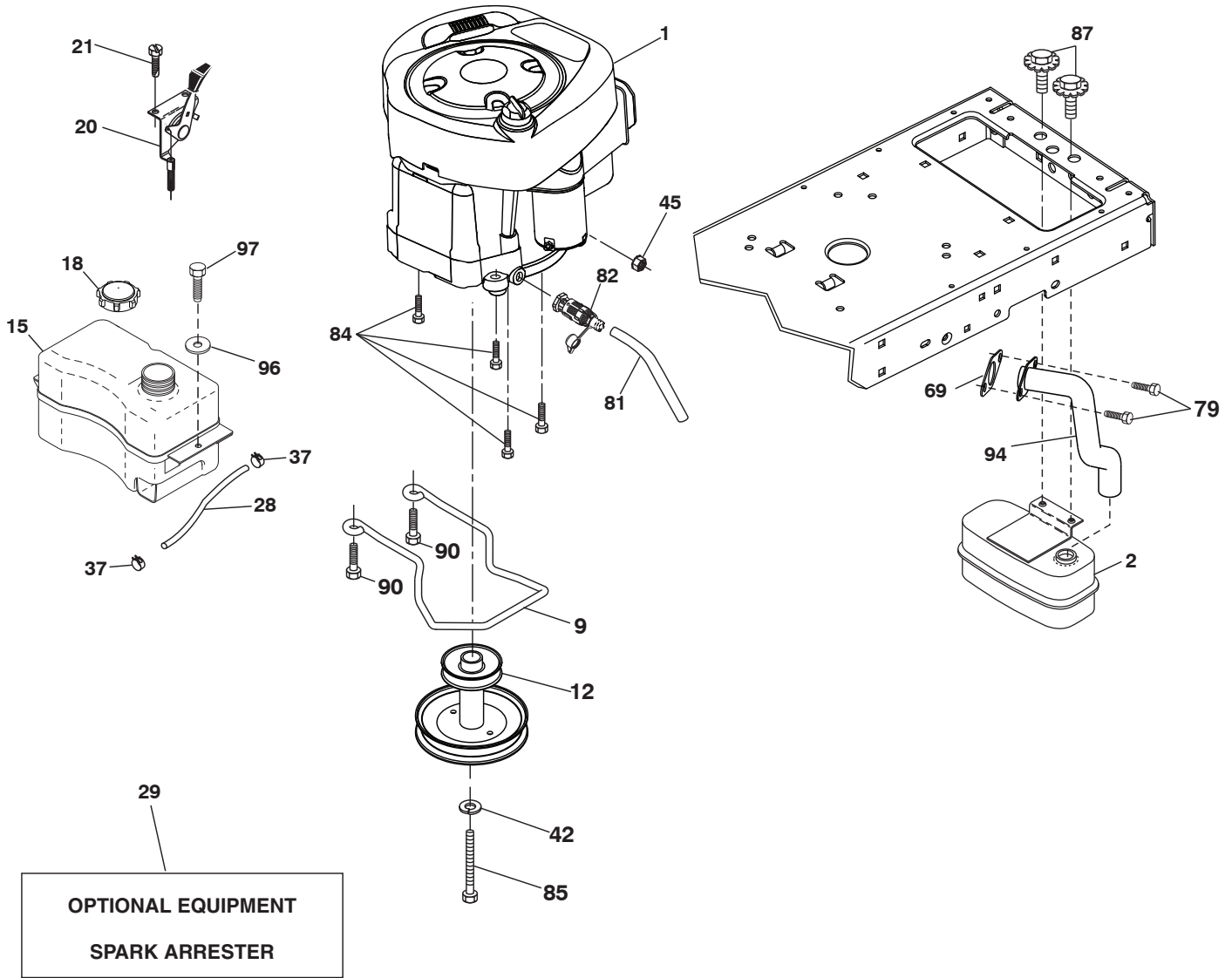
## DRIVE

| KEY NO. | PART NO.   | DESCRIPTION  | KEY NO. | PART NO.   | DESCRIPTION                      |
|---------|------------|--|---------|------------|----------------------------------|
| 1       | -----      | Transaxle, Gentrans Variator (580486301)(Order parts from transaxle manufacturer.) | 166     | 429164     | Nut Push .625                    |
| 2       | 123583X    | Key.Square .2.0 x .1845/.1865  | 167     | 405257     | Latch.Brake.Parking              |
| 5       | 73680600   | Nut Crownlock  | 172     | 583974201  | Strap Torque Lh/Rh               |
| 6       | 124028X    | Bushing Snap   | 174     | 197289     | Nut.Push..500                    |
| 15      | 19131316   | Washer 13/32 x 13/16 x 16 Ga.  | 175     | 415677     | Shaft Asm Shift                  |
| 17      | 501487101  | Spring Brake   | 176     | 196214     | Arm.Clevis.Rod.Shift             |
| 22      | 421063     | Rod Shift  | 178     | 197456     | Spring.Shift.Gt.2006             |
| 23      | 140845     | Knob   | 184     | 196439X428 | Handle.Parking Brake.Lttex.505   |
| 29      | 584823101  | Rod Brake  | 185     | 72110622   | Bolt.Rdhd.3/8-16 Unc x 2-3/4 Gr5 |
| 33      | 12000001   | E-Ring. #5133-75   | 186     | 194321     | Spacer.Retainer                  |
| 35      | 583864501  | Rod.Brake.Parking. Lt.Tex  | 187     | 19133210   | Washer.13/32 x 2 x 10 Ga.        |
| 37      | 188967     | Washer Harden .793 x 1.637 x 060   | 188     | 582217001  | Link.Clutch.Ground Drive, Long   |
| 42      | 8883R      | Cover.Pedal.Blk.Round  | 189     | 194317     | Bellcrank.Grounddrive.Nstg/Nstl  |
| 49      | 72110614   | Bolt.Rdhd.3/8-16Uncx1-3/4.Gr 5   | 190     | 194318     | Keeper.Bellcrank.Drive.Ground    |
| 50      | 194327     | Idler.Flat   | 195     | 581504601  | Bracket Brake                    |
| 51      | 73900600   | Nut, Hex, Flangelock 3/8-16  | 203     | 19111116   | Washer 11/32 x 11/16 x 16 Ga.    |
| 52      | 194326     | Idler.V-Groove   | 205     | 121748     | Washer.25/32 x 1-5/8 x 16Ga.     |
| 56      | 197253     | Belt.Drive.100.97"   | 221     | 403187     | Retainer.Spring.Clip.Handle      |
| 64      | 580401501  | Shaft Asm.Pedal.Brake Control  | 232     | 74780716   | Bolt.Fin Hex.7/16-14 x 1 Gr5     |
| 67      | 19131312   | Washer 13/32 x 13/16 x 12 Ga.  | 233     | 405296     | Washer.Serrated                  |
| 70      | 415688X428 | Console  | 282     | 74490548   | Screw Thdrol 5/16-18 x 3         |
| 73      | 74490544   | Bolt.Hex.Flghd.5/16-18.Gr.5  | 297     | 420223     | Nut Push 1/4                     |
| 74      | 142432     | Screw.Hex.Wsh.Hi-Lo.1/4 X 1/2 unc  | 299     | 415683     | Bracket Mount Idler              |
| 99      | 435935     | Rod Bypass   | 300     | 415681     | Keeper Idler Rear                |
| 116     | 73900500   | Nut, Lock Hex Flange 5/16-18 unc   | 301     | 415680     | Pulley Idler V-Groove            |
| 125     | 17000512   | Screw.5/16-18 x 3/4.Smgml. Tap/Bl  | 302     | 581420501  | Pulley Idler Flat 2.0 Od         |
| 143     | 17490508   | Screw.Thdrol.5/16-18 x 1/2 Tytt  | 303     | 72110618   | Bolt Rdhd Sgnk 3/8-16 x 2-1/4    |
| 159     | 76020412   | Pin Cotter 1/8 x 3/4   | 345     | 72110606   | Bolt Rdhd Sqnk 3/-16 x 1 GR5     |
| 160     | 169484     | Retainer.Clip(M).Dia.290   | 373     | 581461801  | Spacer Idler                     |
| 161     | 105709X    | Spring.Return.Clutch.6.75  | 374     | 581475201  | Arm Control Brake                |
| 165     | 196212     | Bushing.Shaft.Brake.Hand Contr   | 375     | 74760636   | Bolt Hex                         |

**NOTE:** All component dimensions given in U.S. inches  
1 inch = 25.4 mm

# TRACTOR - - MODEL NUMBER 944.604230

## ENGINE



engine-tex\_BS\_135

# TRACTOR - - MODEL NUMBER 944.604230

## ENGINE

| KEY PART NO. | PART NO.   | DESCRIPTION   |
|--------------|------------|---|
| 1            | ---        | Engine B&S Model No.<br>33R877-0017-G1 (586607501)<br>(See engine breakdown.) |
| 2            | 580532301  | Muffler   |
| 9            | 582540302  | Keeper Belt Engine  |
| 12           | 586729001  | Pulley Engine   |
| 15           | 581290101  | Tank Fuel   |
| 18           | 430220     | Cap Asm. Fuel   |
| 20           | 175438X428 | Control Throttle/Choke  |
| 21           | 416358     | Screw 10 x .750 BOS Thread  |
| 28           | 401137     | Fuel Line   |
| 29           | 137180     | Spark Arrester Kit  |
| 37           | 123487X    | Clamp Hose  |
| 42           | 10040700   | Washer Lock 7/16  |
| 45           | 73510400   | Nut Keps Hex 1/4-20 unc   |
| 69           | 165291     | Gasket  |
| 79           | 192334     | Screw 5/16-18 x .75   |
| 81           | 148456     | Tube Drain Oil Easy   |
| 82           | 428287     | Valve Oil Drain   |
| 84           | 17060620   | Screw 3/8-16 x 1-1/4  |
| 85           | 173937     | Bolt Hex 7/16-20 x 4 x Gr. 5-1.5  |
| 87           | 171877     | Bolt 5/16-18 unc x 3/4 w/Sems   |
| 90           | 17000616   | Screw 3/8-16 x 1.0  |
| 94           | 581880901  | Exhaust Tube  |
| 96           | 19091416   | Washer 9/32 x 7/8 x 16 Ga.  |
| 97           | 17670412   | Screw 1/4-20 x 3/4  |

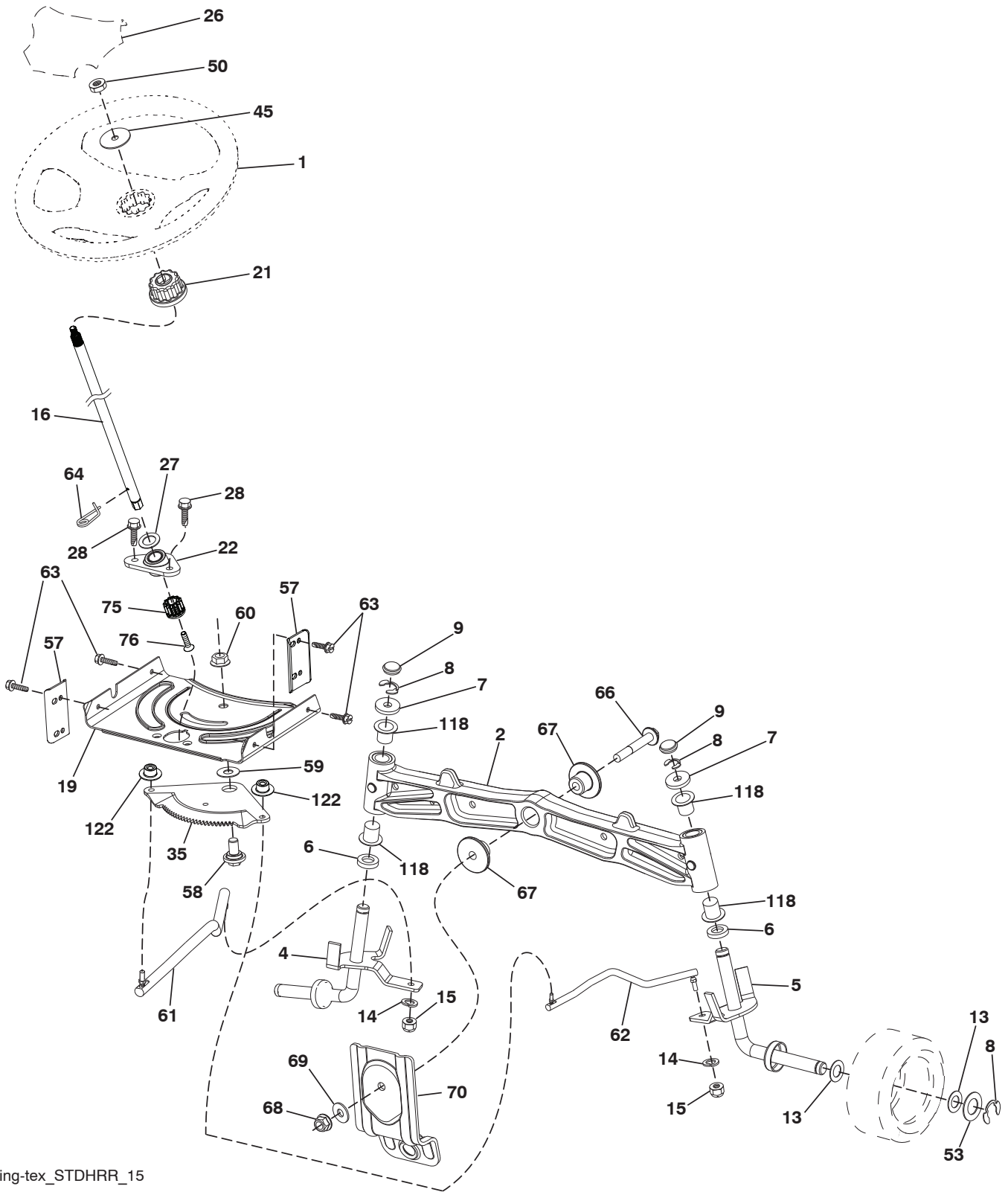
**NOTE:** All component dimensions given in U.S. inches  
1 inch = 25.4 mm

### Engine Power Rating Information

The gross power rating for individual gas engine models is labeled in accordance with SAE (Society of Automotive Engineers) code J1940 (Small Engine Power & Torque Rating Procedure), and rating performance has been obtained and corrected in accordance with SAE J1995 (Revision 2002-05). Torque values are derived at 3060 RPM; horsepower values are derived at 3600 RPM. Actual gross engine power will be lower and is affected by, among other things, ambient operating conditions and engine-to-engine variability. Given both the wide array of products on which engines are placed and the variety of environmental issues applicable to operating the equipment, the gas engine will not develop the rated gross power when used in a given piece of power equipment (actual "on-site" or net power). This difference is due to a variety of factors including, but not limited to, accessories (air cleaner, exhaust, charging, cooling, carburetor, fuel pump, etc.), application limitations, ambient operating conditions (temperature, humidity, altitude), and engine-to-engine variability. Due to manufacturing and capacity limitations, Briggs & Stratton may substitute an engine of higher rated power for this Series engine.

# TRACTOR - - MODEL NUMBER 944.604230

## STEERING ASSEMBLY



steering-tex\_STDHRR\_15

# TRACTOR - - MODEL NUMBER 944.604230

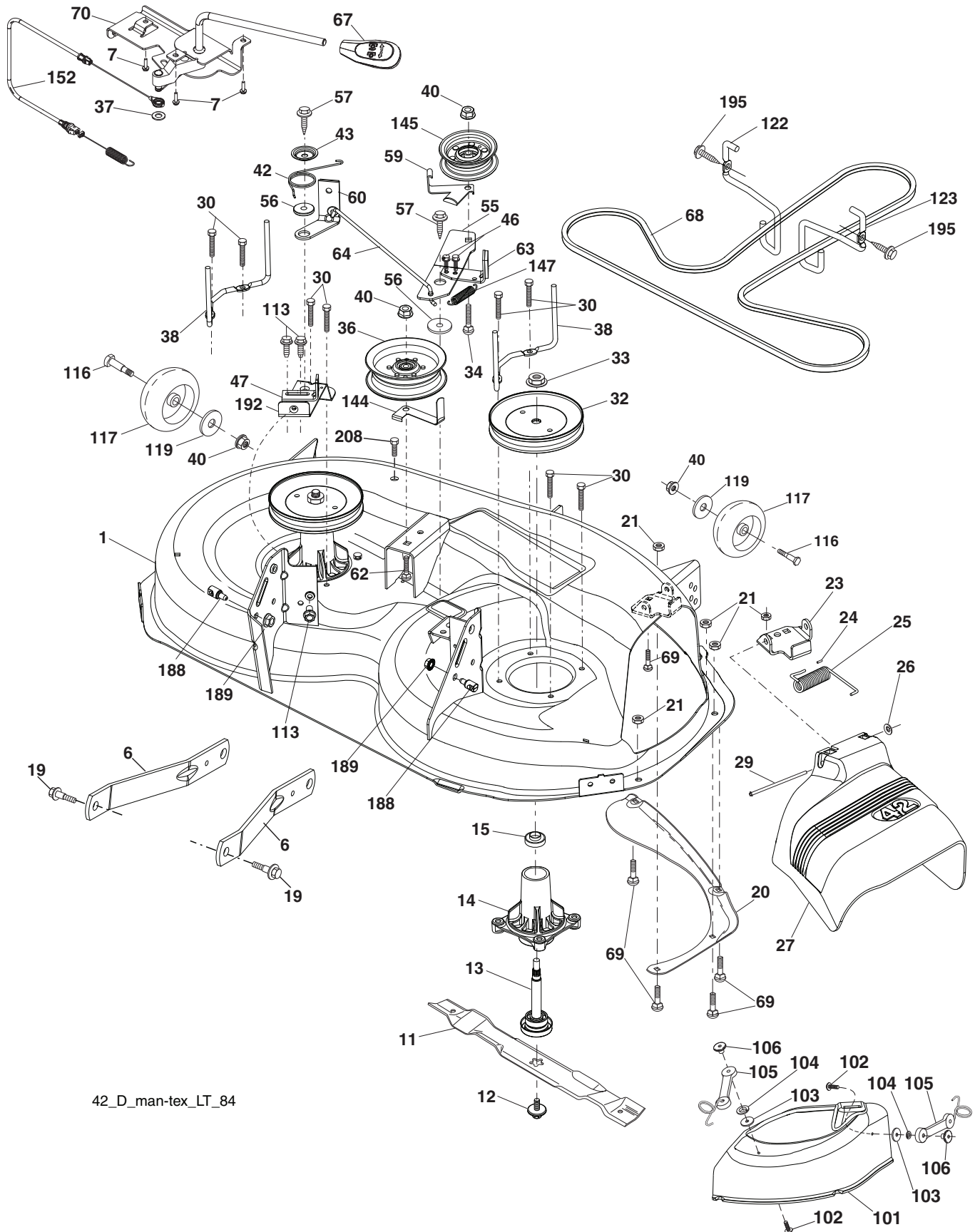
## STEERING ASSEMBLY

| KEY<br>NO. | PART<br>NO. | DESCRIPTION                         |
|------------|-------------|-------------------------------------|
| 1          | 414803X428  | Wheel, Steering                     |
| 2          | 436870      | Axle Asm., Front                    |
| 4          | 403087      | Spindle Asm., LH                    |
| 5          | 403088      | Spindle Asm., RH                    |
| 6          | 6266H       | Washer Thrust                       |
| 7          | 121748X     | Washer 25/32 x 1-5/8 x 16 Ga.       |
| 8          | 1200029     | Ring, Klip #T5304-75                |
| 9          | 184946X667  | Cap, Spindle                        |
| 13         | 121749X     | Washer 25/32 x 1-1/4 x 16 Ga.       |
| 14         | 10040600    | Washer, Lock Hvy Hlcl Spr 3/8       |
| 15         | 73540600    | Nut, Crown Lock 3/8-24 unf          |
| 16         | 587016002   | Steering Shaft                      |
| 19         | 194729      | Plate Steering                      |
| 21         | 586840201   | Adapter Wheel Steering              |
| 22         | 585029802   | Bearing                             |
| 26         | 414852X428  | Insert, Wheel Steering              |
| 27         | 19211616    | Washer                              |
| 28         | 17000612    | Screw 3/8-16 x 3/4                  |
| 35         | 194732      | Gear, Sector Plate                  |
| 45         | 587016401   | Washer 3/8 ID 2-3/8 OD 12 Ga. PLTD  |
| 50         | 73900600    | Nut Lock Flg 3/8-16 unc             |
| 53         | 188967      | Washer Hardened .793 x 1.637 x .060 |
| 57         | 407465      | Bracket Upstop                      |
| 58         | 194747      | Bolt Shoulder Sector Pivot CFM      |
| 59         | 194748      | Washer Thrust Sector Steering       |
| 60         | 73971000    | Nut Flange Lock 5/8-11              |
| 61         | 194740      | Draglink LH                         |
| 62         | 194741      | Draglink, RH                        |
| 63         | 17000512    | Screw 5/16-18 x 3/4                 |
| 64         | 199849      | Retainer Clip Spring Steering       |
| 66         | 71020748    | Bolt Hex Fghd 7/16-14 x 3 Serr      |
| 67         | 194737      | Bushing PM Front Axle               |
| 68         | 73900700    | Nut Lock Flange 7/16-14 Gr. 5       |
| 69         | 199162      | Washer 1.5 x .505 x .118            |
| 70         | 196197      | Bracket Deck Susp. Front            |
| 75         | 580683701   | Pinion                              |
| 76         | 580683601   | Screw Head Sock                     |
| 118        | 406013      | Bushing                             |
| 122        | 444962      | Cap Gear                            |

**NOTE:** All component dimensions given in U.S. inches  
1 inch = 25.4 mm

# TRACTOR - - MODEL NUMBER 944.604230

## MOWER DECK



42\_D\_man-tex\_LT\_84

# TRACTOR - - MODEL NUMBER 944.604230

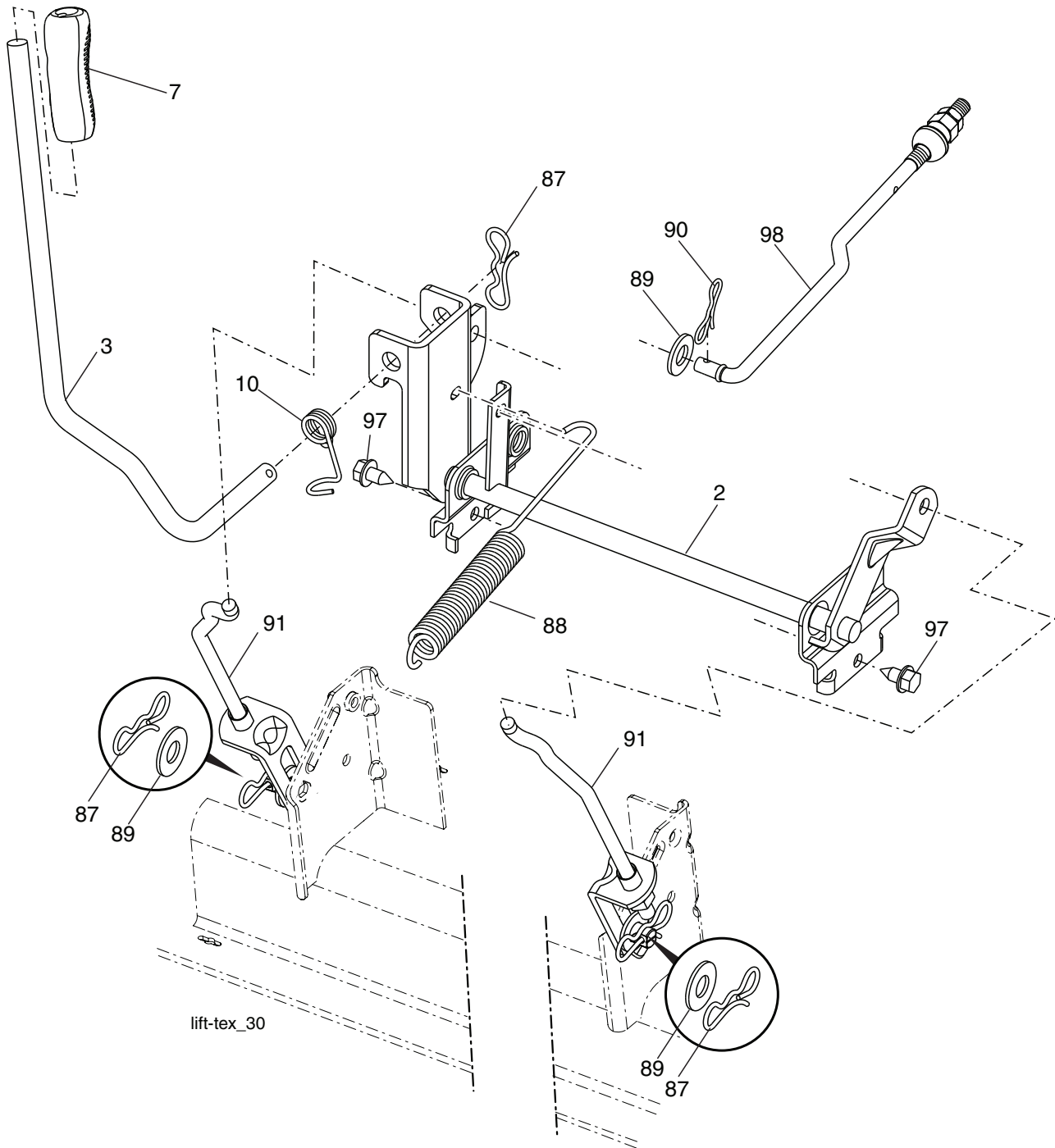
## MOWER DECK

| KEY NO. | PART NO.   | DESCRIPTION                                      | KEY NO. | PART NO.  | DESCRIPTION   |
|---------|------------|--|---------|-----------|---|
| 1       | 196495X613 | Mower Housing                                    | 68      | 429636    | V-Belt  |
| 6       | 195186     | Arm Suspension                                   | 69      | 72140505  | Bolt Rdhd Sqnk 5/16-18 x 5/8  |
| 7       | 416358     | Screw 10 x .750 BOS Thread                       | 70      | 199972    | Clutch Asm. Manual  |
| 11      | 424752     | Blade, 3N1 Premium<br>(For bagging or discharge) | 101     | 193107    | Cover Mulching  |
| 12      | 584309301  | Screw 7/16-20 x 1 Hex                            | 102     | 71081010  | Screw Pan HD Phillip 10-24 x 5/8  |
| 13      | 587256501  | Shaft Assembly, Mandrel                          | 103     | 19061216  | Washer #10  |
| 14      | 187281     | Housing, Mandrel                                 | 104     | 10071000  | Washer Lock #10   |
| 15      | 585323901  | Bearing, Mandrel                                 | 105     | 160793    | Latch Asm. Mulch  |
| 19      | 196539     | Bolt, Shoulder                                   | 106     | 2029J     | Nut Weld .327/.304 #10-24   |
| 20      | 159770     | Baffle, Vortex                                   | 113     | 17000510  | Screw 5/16-18   |
| 21      | 73680500   | Nut, Crownlock 5/16-18 unc                       | 116     | 4898H     | Bolt, Shoulder  |
| 23      | 192557     | Bracket, Deflector                               | 117     | 188606    | Wheel, Gauge  |
| 24      | 105304X    | Cap, Sleeve                                      | 119     | 19121414  | Washer 13/32 x 7/8 x 14 Ga.   |
| 25      | 197026     | Spring, Torsion, Deflector                       | 122     | 197258    | Keeper Belt Eng. LH   |
| 26      | 110452X    | Nut, Push  | 123     | 197259    | Keeper Belt Eng. RH   |
| 27      | 424469     | Shield, Deflector                                | 144     | 199204    | Keeper Belt   |
| 29      | 131491     | Rod, Hinge                                       | 145     | 193197    | Pulley, Idler, Flat   |
| 30      | 173984     | Screw Thdrol Rolling Wsh Hd                      | 147     | 401971    | Spring Return   |
| 32      | 197473     | Pulley, Mandrel                                  | 152     | 584243501 | Cable Clutch Manual w/Spr.  |
| 33      | 400234     | Nut, Toplock, Flanged                            | 188     | 195161    | Stud Fastener   |
| 34      | 72110612   | Bolt Carr Sh. 3/8-16 x 1-1/2 Gr. 5               | 189     | 73900500  | Nut Lock Hex Flange   |
| 36      | 197379     | Pulley Idler                                     | 192     | 197260    | Bracket Brake Stand LH  |
| 37      | 19131316   | Washer 13/32 x 13/16 x 16 Ga.                    | 195     | 17000612  | Screw Hexwsh Thdr 3/8-16 x 3/4  |
| 38      | 432520     | Keeper Belt LH Mandrel                           | 208     | 17670608  | Screw Thdr 3/8-16 x 1/2   |
| 40      | 73900600   | Nut, Lock Flg. 3/8-16 unc                        | --      | 587253301 | Mandrel Assembly (Includes housing (key #14), shaft assembly (key #13), and bearing (key #15) only - pulley/nut/washer and blade bolt/washers not included) |
| 42      | 198410     | Spring Torsion Brake                             | --      | 442755    | Replacement Mower, Complete   |
| 43      | 197256     | Spring Torsion Retainer                          |         |           |   |
| 46      | 137729     | Screw Thd Roll 1/4-20 x 5/8                      |         |           |   |
| 47      | 197250     | Bracket Clutch Cable                             |         |           |   |
| 55      | 437110     | Arm, Idler                                       |         |           |   |
| 56      | 199092     | Spacer, Retainer                                 |         |           |   |
| 57      | 17000616   | Screw Hexwsh Thd 3/8-16 x 1                      |         |           |   |
| 59      | 141043     | Guard, Tuv Idler (94)                            |         |           |   |
| 60      | 197261     | Arm Brake Mower                                  |         |           |   |
| 62      | 72110616   | Bolt Rdhd Sqnk 3/8-16 unc x 2                    |         |           |   |
| 63      | 199477     | Arm Brake Mower                                  |         |           |   |
| 64      | 199790     | Linkage Brake                                    |         |           |   |
| 67      | 198398X667 | Handle, Clutch Cable                             |         |           |   |

**NOTE:** All component dimensions given in U.S. inches  
1 inch = 25.4 mm

# TRACTOR - - MODEL NUMBER 944.604230

## MOWER LIFT



| KEY NO. | PART NO.   | DESCRIPTION                  |
|---------|------------|------------------------------|
| 2       | 422027     | Shaft Asm., Cross Lift       |
| 3       | 426896     | Lever Asm., Lift RH          |
| 7       | 445060X428 | Grip, Lever                  |
| 10      | 196314     | Spring Torsion               |
| 87      | 194209     | Pin Cotter 7/16 Bow Tie Lock |
| 88      | 410710     | Spring Lift Assist           |
| 89      | 19191912   | Washer Clear Zinc            |
| 90      | 194208     | Pin Cotter 5/16 Bow Tie Lock |

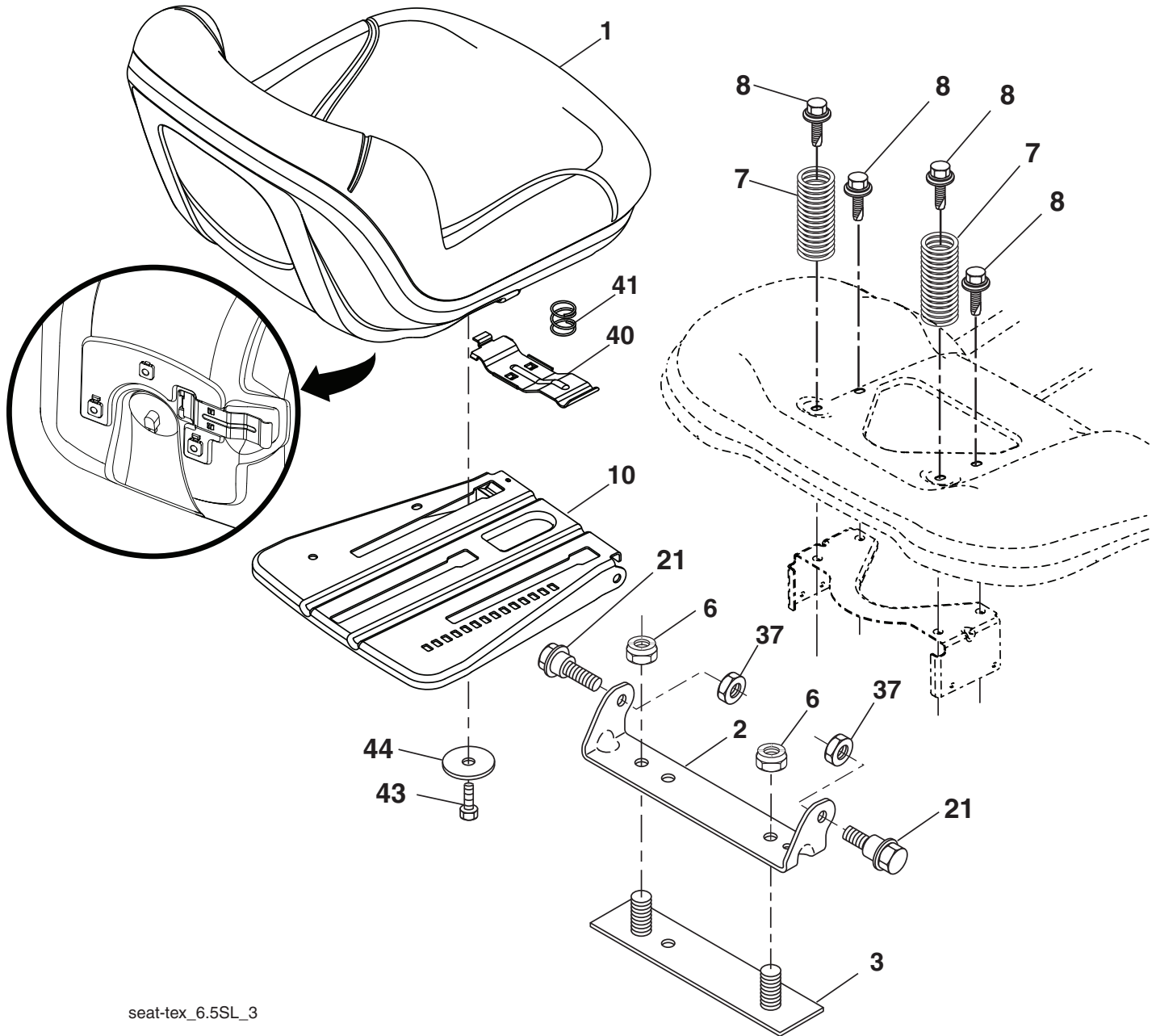
| KEY NO. | PART NO. | DESCRIPTION                      |
|---------|----------|----------------------------------|
| 91      | 197984   | Link Lift Susp Mower Rear        |
| 97      | 17000612 | Screw 3/8-16 x .75 Smgml Tap/R.Z |
| 98      | 420525   | Link Lift Susp. Front Mower      |

**NOTE:** All component dimensions given in U.S. inches  
1 inch = 25.4 mm



# TRACTOR - - MODEL NUMBER 944.604230

## SEAT ASSEMBLY



seat-tex\_6.5SL\_3

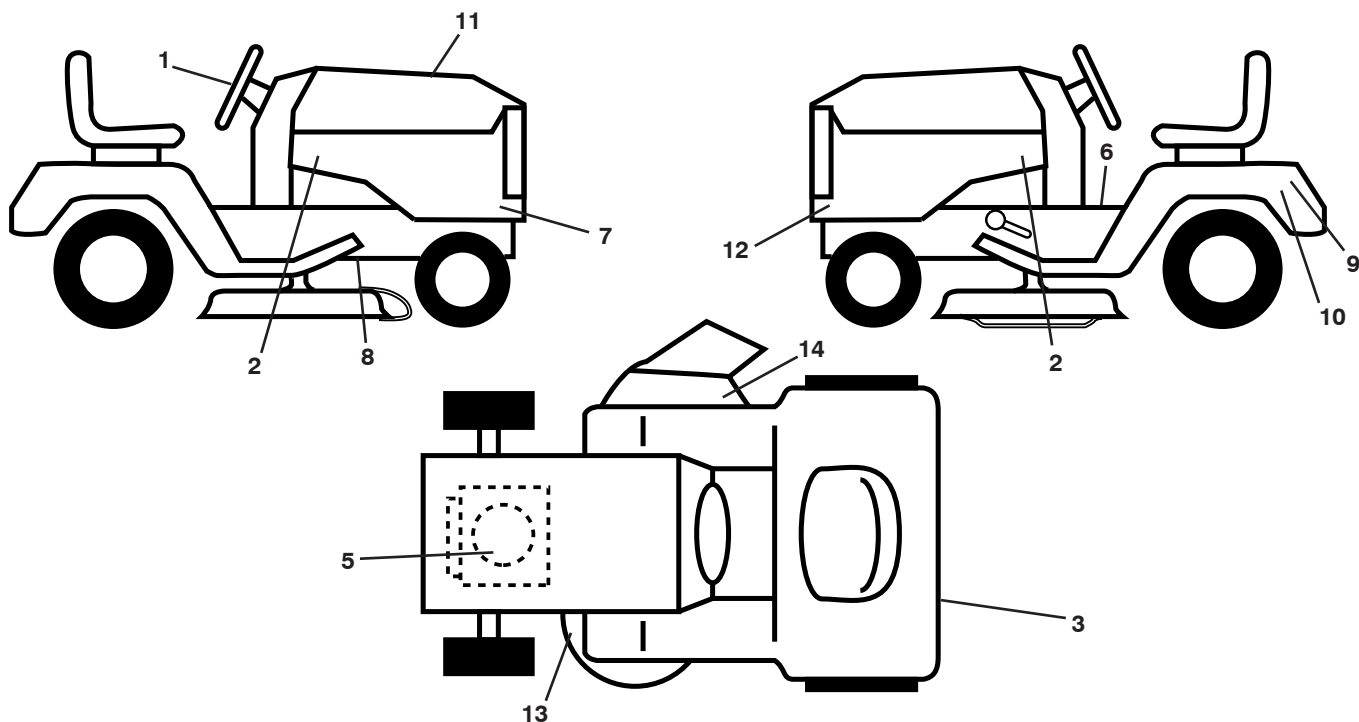
| KEY NO. | PART NO. | DESCRIPTION                   |
|---------|----------|-------------------------------|
| 1       | 423645   | Seat                          |
| 2       | 180166   | Bracket Pivot Fender          |
| 3       | 140675   | Strap, Asm Fender             |
| 6       | 73800600 | Nut, Lock W/Ins. 3/8-16 unc   |
| 7       | 124181X  | Spring, Seat Cprsn            |
| 8       | 171877   | Bolt 5/16-18 unc x 3/4 w/Sems |
| 10      | 196977   | Pan, Seat                     |
| 21      | 171852   | Bolt, Shoulder 5/16-18        |

| KEY NO. | PART NO. | DESCRIPTION                   |
|---------|----------|-------------------------------|
| 37      | 73800500 | Nut, Lock 5/16-18 unc         |
| 40      | 197661   | Handle Slide Seat             |
| 41      | 198200   | Spring Latch Seat             |
| 43      | 74760612 | Bolt 3/8-16 x 3/4             |
| 44      | 19133812 | Washer 13/32 x 2-3/8 x 12 Ga. |

**NOTE:** All component dimensions given in U.S. inches  
1 inch = 25.4 mm

# TRACTOR - - MODEL NUMBER 944.604230

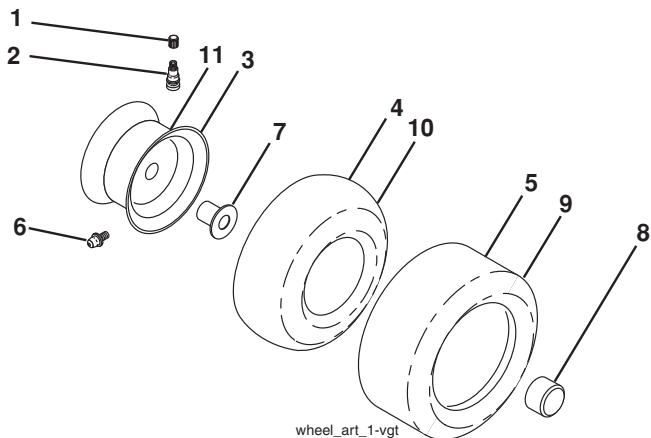
## DECALS



| KEY PART NO. | NO.       | DESCRIPTION                   |
|--------------|-----------|-------------------------------|
| 1            | 581894601 | Decal, Steering               |
| 2            | 585767601 | Decal, Hood                   |
| 3            | 586627301 | Decal, Fender                 |
| 5            | 585722401 | Decal, Engine HP              |
| 6            | 581579001 | Decal, Fender Warning         |
| 7            | 586644501 | Decal, Sideskirt RH           |
| 8            | 421534    | Decal, V-Belt Schematic Drive |
| 9            | 149517    | Decal, Battery Warning        |
| 10           | 448709    | Decal, Battery                |
| 11           | 580385701 | Decal, Replacement            |

| KEY PART NO. | NO.        | DESCRIPTION                         |
|--------------|------------|-------------------------------------|
| 12           | 586644502  | Decal, Sideskirt LH                 |
| 13           | 581580001  | Decal, Mower V-Belt SCH.            |
| 14           | 584904601  | Decal, Deck/Deflect Warning         |
| --           | 193226X428 | Pad, Footrest LH                    |
| --           | 193227X428 | Pad, Footrest RH                    |
| --           | 581724801  | Decal, Bypass                       |
| --           | 586652124  | Manual, Operator's (English/French) |
| --           | 587754924  | Manual, Parts (English/French)      |

## WHEELS AND TIRES



| KEY PART NO. | NO.        | DESCRIPTION                  |
|--------------|------------|------------------------------|
| 1            | 59192      | Cap, Valve, Tire             |
| 2            | 65139      | Stem, Valve                  |
| 3            | 106732X613 | Rim Assembly, Front          |
| 4            | 59904      | Tube, Front                  |
| 5            | 106222X    | Tire, Front 15 x 6-6         |
| 6            | 278H       | Fitting, Grease              |
| 7            | 9040H      | Bearing, Flange              |
| 8            | 104757X428 | Cap, Axle (Front Wheel Only) |
| 9            | 138468     | Tire, Rear 20 x 8-8          |
| 10           | 7152J      | Tube, Rear                   |
| 11           | 106108X613 | Rim Assembly, Rear           |
| --           | 144334     | Sealant, Tire (10 oz. Tube)  |

**NOTE:** All component dimensions given in U.S. inches  
1 inch = 25.4 mm

---

# SERVICE NOTES

---

# TRACTOR - - MODEL NUMBER 944.604230

## BRIGGS ENGINE - MODEL NUMBER 33R877, TYPE NUMBER 0017-G1

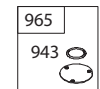
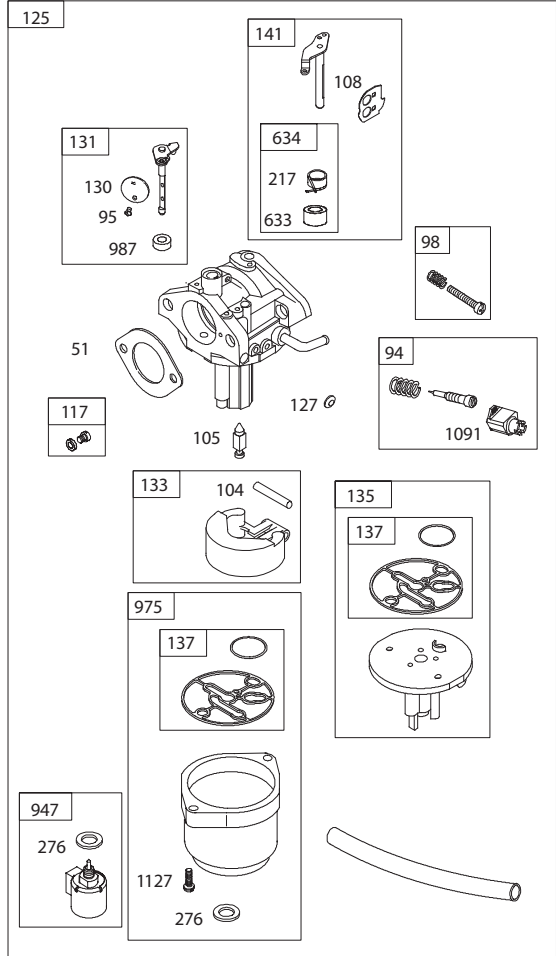
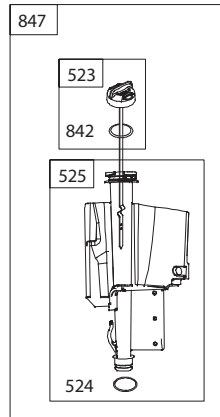
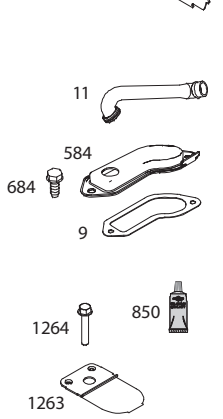
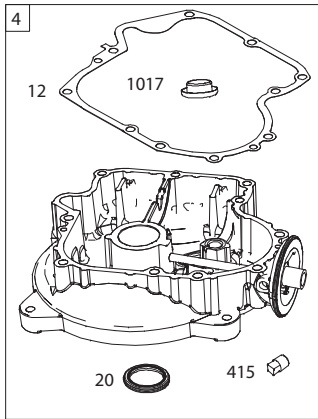
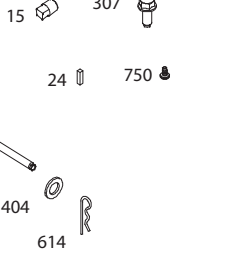
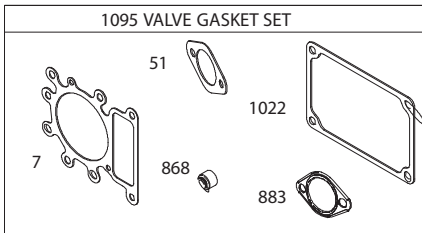
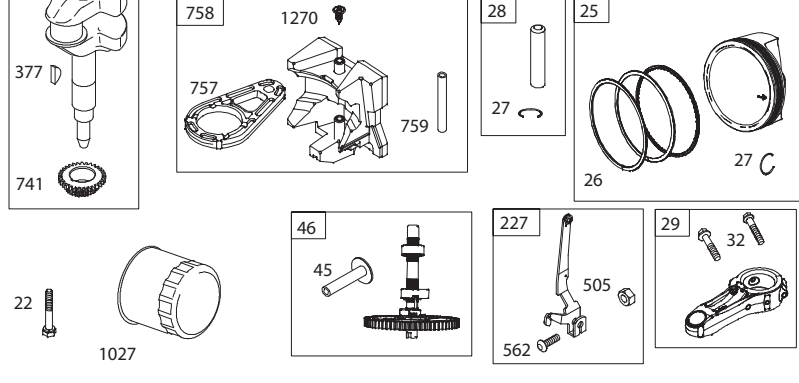
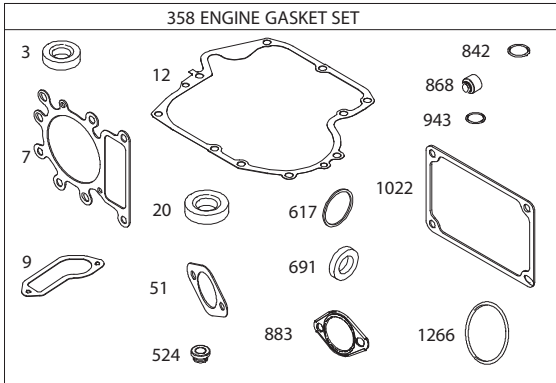
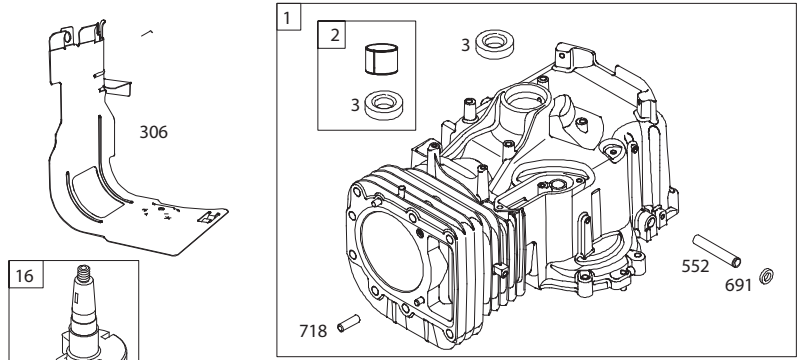
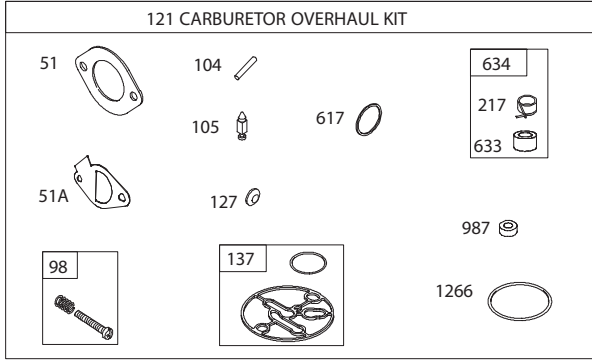
48 SHORT BLOCK

1036 EMISSIONS L LABEL

1058 OPERATOR'S MANUAL

1329 REPLACEMENT ENGINE

1330 REPAIR MANUAL

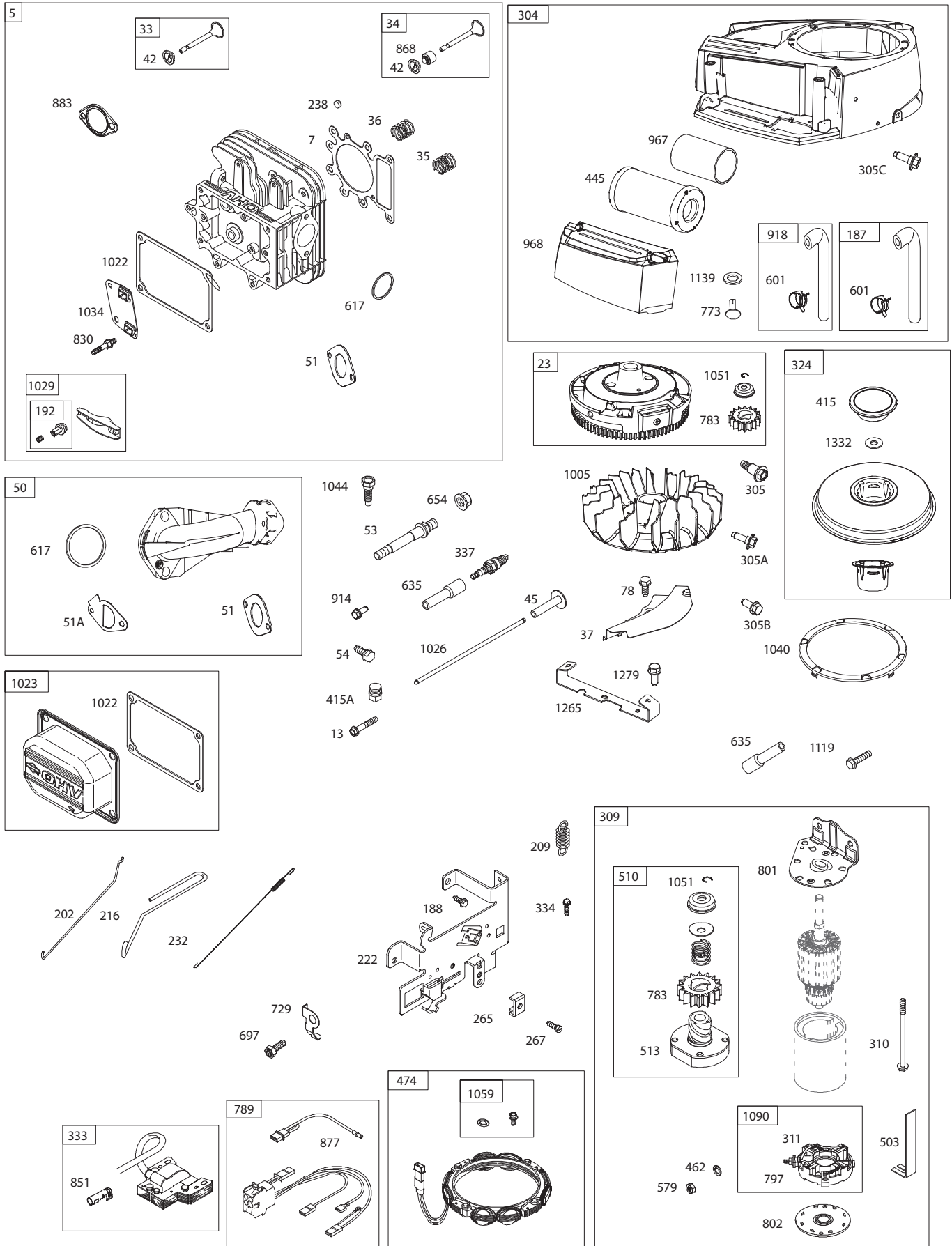


431

1266

# TRACTOR - - MODEL NUMBER 944.604230

## BRIGGS ENGINE - MODEL NUMBER 33R877, TYPE NUMBER 0017-G1



**TRACTOR - - MODEL NUMBER 944.604230**  
**BRIGGS ENGINE - MODEL NUMBER 33R877, TYPE NUMBER 0017-G1**

| <b>KEY NO.</b> | <b>PART NO.</b> | <b>DESCRIPTION</b>                           | <b>KEY NO.</b> | <b>PART NO.</b> | <b>DESCRIPTION</b>                                 |
|----------------|-----------------|--|----------------|-----------------|--|
| 1              | 591465          | Cylinder Assembly                            | 127            | 690727          | Plug-Welch   |
| 2              | 797673          | Kit-Bushing/Seal (Magneto Side)              | 130            | 792747          | Valve-Throttle                                     |
| 3              | 391086s         | Seal-Oil (Magneto Side)                      | 131            | 792765          | Kit-Throttle Shaft                                 |
| 4              | 592849          | Sump-Engine                                  | 133            | 694914          | Float-Carburetor                                   |
| 5              | 591750          | Head-Cylinder                                | 135            | 698780          | Tube-Fuel Transfer                                 |
| 7              | 794114          | Gasket-Cylinder Head                         | 137            | 698781          | Gasket-Float Bowl                                  |
| 9              | 697109          | Gasket-Breather                              | 141            | 592937          | Kit-Choke Shaft                                    |
| 11             | 794683          | Tube-Breather                                | 187            | 791805          | Line-Fuel (Formed)                                 |
| 12             | 697110          | Gasket-Crankcase                             | 187A           | 791766          | Line-Fuel (Cut to Required Length)                 |
| 13             | 592244          | Screw (Cylinder Head)                        | 188            | 691693          | Screw (Control Bracket)                            |
| 15             | 690946          | Plug-Oil Drain                               | 192            | 691986          | Adjuster-Rocker Arm                                |
| 16             | 591763          | Crankshaft                                   | 202            | 691841          | Link-Mechanical Governor                           |
| 20             | 795387          | Seal-Oil (PTO Side)                          | 209            | 796260          | Spring-Governor (Green)                            |
| 22             | 692125          | Screw (Crankcase Cover/Sump)                 | 216            | 691840          | Link-Choke   |
| 23             | 591759          | Flywheel                                     | 217            | 695409          | Spring-Choke Return                                |
| 24             | 591757          | Key-Flywheel (Steel)                         | 222            | 694042          | Bracket-Control                                    |
| 25             | 795858          | Piston Assembly (Standard)                   | 227            | 691374          | Lever-Governor Control                             |
|                | 795877          | Piston Assembly (.020" Oversize)             | 232            | 691842          | Spring-Governor Link                               |
| 26             | 794126          | Ring Set (Standard)                          | 238            | 691843          | Cap-Valve  |
|                | 794127          | Ring Set (.020" Oversize)                    | 240            | 691035          | Filter-Fuel  |
| 27             | 698469          | Lock-Piston Pin                              | 265            | 691024          | Clamp-Casing                                       |
| 28             | 795861          | Pin-Piston                                   | 267            | 794904          | Screw (Casing Clamp)                               |
| 29             | 794571          | Rod-Connecting                               | 276            | 695410          | Washer-Sealing                                     |
| 32             | 791118          | Screw (Connecting Rod)                       | 304            | 592814          | Housing-Blower                                     |
| 33             | 591752          | Valve-Exhaust                                | 305            | 697102          | Screw (Blower Housing) (1/4-20x1.21)               |
| 34             | 591751          | Valve-Intake                                 | 305A           | 793376          | Screw (Blower Housing) (1/4-20x.68)                |
| 35             | 691279          | Spring-Valve (Intake)                        | 305B           | 795891          | Screw (Blower Housing to Itake Elbow) (#10-16x.43) |
| 36             | 691279          | Spring-Valve (Exhaust)                       | 305C           | 799370          | Screw (Blower Housing) (1/4-20x.90)                |
| 37             | 699882          | Guard-Flywheel                               | 306            | 794953          | Shield-Cylinder                                    |
| 42             | 499586          | Keeper-Valve                                 | 307            | 691693          | Screw (Cylinder Shield)                            |
| 43             | 691968          | Slinger-Governor/Oil                         | 309            | 693551          | Motor-Starter                                      |
| 45             | 690564          | Tappet-Valve                                 | 310            | 690323          | Screw (Starter Motor)                              |
| 46             | 793880          | Camshaft                                     | 311            | 497608          | Brush Set  |
| 48             | N/A             | Short Block (Not Available at this Printing) | 324            | 796309          | Screen/Cup Assembly                                |
| 50             | 592842          | Manifold-Intake                              | 333            | 592841          | Armature-Magneto                                   |
| 51             | 692137          | Gasket-Intake                                | 334            | 691061          | Screw (Magneto Armature)                           |
| 51A            | 796081          | Gasket-Intake                                | 337            | 793541          | Plug-Spark   |
| 53             | 591260          | Stud (Carburetor)                            | 358            | 796187          | Gasket Set-Engine                                  |
| 54             | 691148          | Screw (Intake Manifold)                      | 377            | 691639          | Key-Woodruff                                       |
| 78             | 691693          | Screw (Flywheel Guard)                       | 404            | 691691          | Washer (Governor Crank)                            |
| 94             | 793610          | Kit-Idle Mixture                             | 415            | 794129          | Plug (Cover/Retainer)                              |
| 95             | 690718          | Screw (Throttle Valve)                       | 415A           | 794903          | Plug (Intake Manifold)                             |
| 98             | 695408          | Kit-Idle Speed                               | 431            | 799043          | Elbow-Intake                                       |
| 104            | 694918          | Pin-Float Hinge                              | 445            | 793569          | Filter-Air Cleaner Cartridge                       |
| 105            | 696136          | Valve-Float Needle                           | 462            | 691261          | Washer (Starter Cable)                             |
| 108            | 695419          | Valve-Choke                                  | 474            | 592831          | Alternator   |
| 117            | 796251          | Jet-Main (Standard)                          | 503            | 691532          | Strap-Starter                                      |
| 118            | 791406          | Jet-Main (High Altitude)                     | 505            | 691251          | Nut (Governor Control Lever)                       |
| 121            | 796184          | Kit-Carburetor Overhaul                      |                |                 |  |
| 125            | 591736          | Carburetor                                   |                |                 |  |

**TRACTOR - - MODEL NUMBER 944.604230  
BRIGGS ENGINE - MODEL NUMBER 33R877, TYPE NUMBER 0017-G1**

| <b>KEY NO.</b> | <b>PART NO.</b> | <b>DESCRIPTION</b>                      | <b>KEY NO.</b> | <b>PART NO.</b> | <b>DESCRIPTION</b>   |
|----------------|-----------------|---|----------------|-----------------|--|
| 510            | 693699          | Drive-Starter                           | 975            | 699502          | Bowl-Fuel  |
| 513            | 692024          | Clutch-Drive                            | 987            | 698777          | Seal-Throttle Shaft  |
| 523            | 699908          | Dipstick                                | 1005           | 796084          | Fan-Flywheel   |
| 524            | 691032          | Seal-Dipstick Tube                      | 1017           | 796981          | Screen-Oil Pump  |
| 525            | 697184          | Tube-Dipstick                           | 1022           | 272475s         | Gasket-Rocker Cover  |
| 552            | 697144          | Bushing-Governor Crank                  | 1023           | 797421          | Cover-Rocker   |
| 562            | 691119          | Screw (Governor Control Lever)          | 1024           | 794644          | Pump-Oil   |
| 579            | 691029          | Nut (Starter Cable)                     | 1026           | 692003          | Rod-Push (Intake) (Aluminum)   |
| 584            | 794682          | Cover-Breather Passage                  |                | 692011          | Rod-Push (Exhaust) (Steel)   |
| 601            | 791850          | Hose-Clamp (Green)                      | 1027           | 795890          | Filter-Oil   |
| 614            | 691620          | Pin-Cotter (Governor Crank)             | 1029           | 691751          | Arm-Rocker   |
| 616            | 692012          | Crank-Governor                          | 1034           | 690822          | Guide-Push Rod   |
| 617            | 692138          | Seal-O Ring (Intake Manifold)<br>(Red)  | 1036           |                 | Label-Emissions (Available from<br>a Briggs & Stratton Authorized<br>Dealer) |
| 633            | 699813          | Seal-Choke/Throttle (Choke<br>Shaft)    | 1040           | 698368          | Plate-Trim   |
| 634            | 698779          | Spring/Seal Assembly                    | 1044           | 698139          | Screw (Flywheel)   |
| 635            | 691909          | Boot-Spark Plug                         | 1051           | 691265          | Ring-Retaining   |
| 654            | 690958          | Nut (Carburetor) (Serrated)             | 1058           | 277675          | Operator's Manual  |
| 684            | 697157          | Screw (Breather Passage<br>Cover)       | 1059           | 698516          | Kit-Screw/Washer (Alternator)  |
| 691            | 692407          | Seal-Governor Shaft                     | 1090           | 691293          | Retainer-Brush   |
| 697            | 791680          | Screw (Drive Cap)                       | 1091           | 691333          | Cap-Limiter  |
| 718            | 690959          | Pin-Locating                            | 1095           | 794152          | Gasket Set-Valve   |
| 729            | 691224          | Clip-Wire                               | 1119           | 691183          | Screw (Alternator)   |
| 741            | 697128          | Gear-Timing                             | 1127           | 695407          | Screw (Float Bowl)   |
| 750            | 790832          | Screw (Oil Pump Cover)                  | 1139           | 796449          | Washer (Fuel Pump)   |
| 757            | 793242          | Link-Counterweight                      | 1263           | 697124          | Reed-Breather  |
| 758            | 793763          | Counterweight                           | 1264           | 697104          | Screw (Breather Reed)  |
| 759            | 697392          | Pin-Counterweight                       | 1265           | 794151          | Support-Blower Housing   |
| 773            | 796448          | Retainer (Fuel Pump)                    | 1266           | 691917          | Seal-O Ring (Intake Elbow)<br>(Red)  |
| 783            | 693713          | Gear-Pinion                             | 1270           | 793243          | Plug-AVS Counterweight   |
| 789            | 698329          | Harness-Wiring                          | 1279           | 691108          | Screw (Blower Housing Sup<br>port)   |
| 797            | 693167          | Nut (Brush Retainer)                    |                |                 |  |
| 801            | 691283          | Cap-Drive                               | 1329           | N/A             | Replacement Engine (Not Avail<br>able at this Printing)                      |
| 802            | 691286          | Cap-End                                 |                |                 |  |
| 830            | 691095          | Stud-Rocker Arm                         | 1330           | N/A             | Repair Manual (Not Available at<br>this Printing)                            |
| 842            | 691031          | Seal-O Ring (Dipstick)                  |                |                 |  |
| 847            | 790442          | Dipstick/Tube Assembly                  | 1332           | 591991          | Washer (Rotating Screen)   |
| 850            | 100106          | Sealant-Liquid                          |                |                 |  |
| 851            | 692424          | Terminal-Spark Plug                     |                |                 |  |
| 868            | 690968          | Seal-Valve                              |                |                 |  |
| 877            | 790544          | Wire/Connector-Alternator               |                |                 |  |
| 883            | 692236          | Gasket-Exhaust                          |                |                 |  |
| 914            | 691108          | Screw (Rocker Cover)                    |                |                 |  |
| 918            | 791744          | Hose-Vacuum (Cut to Required<br>Length) |                |                 |  |
| 943            | 690589          | Seal-O Ring (Oil Pump Cover)            |                |                 |  |
| 947            | 699915          | Solenoid-Fuel                           |                |                 |  |
| 964            | 799159          | Cap-Connector                           |                |                 |  |
| 965            | 499613          | Cover-Oil Pump                          |                |                 |  |
| 967            | 793685          | Filter-Pre Cleaner                      |                |                 |  |
| 968            | 591644          | Cover-Air Cleaner                       |                |                 |  |

Carburetor Overhaul Kit                     Key No. 121  
Engine Gasket Set                             Key No. 358  
Valve Gasket Set                               Key No. 1095

**NOTE:** All component dimensions given in U.S. inches  
1 inch = 25.4 mm

# Get it fixed, at your home or ours!

Just Call:

**1-800-4-MY-HOME<sup>®</sup>**

(1-800-469-4663)

24 hours a day, 7 days a week

For the repair of major brand appliances **in your own home...**  
no matter who made it, no matter who sold it!

For your nearest **Sears Parts and Service** location,  
to bring in products like vacuums, lawn equipment and electronics.

For **Sears Parts & Service**, to order the replacement parts,  
accessories and owner's manuals that you need to do-it-yourself.

[www.sears.ca](http://www.sears.ca)

---

To purchase or inquire about a Sears Maintenance Agreement, call:

**1-800-361-6665**

9 a.m. – 11 p.m. Mon. – Fri., EST, 9 a.m. – 4 p.m. Sat.

---

Pour service en français:

**1-800-LE-FOYER<sup>MC</sup>**

(1-800-533-6937)

[www.sears.ca](http://www.sears.ca)



® / <sup>TM</sup> Trademarks of Sears Brands Management Corporation used under license by Sears Canada

<sup>MD</sup> Marque déposée / <sup>MC</sup> Marque de commerce de Sears Brands Management Corporation utilisée en vertu d'une licence de Sears Canada



# Faites-le réparer, à domicile ou à l'atelier!

Téléphonez au:  
**1-800-LE-FOYER**<sup>MC</sup>  
(1-800-533-6937)  
24 heures par jour, 7 jours par semaine

Pour la réparation des appareils électroménagers de grandes marques  
**à votre domicile** ... peu importe le fabricant ou le détaillant!

Pour connaître l'emplacement du **Service des pièces et de l'entretien**  
**Sears** le plus proche afin d'apporter à l'atelier des produits tels que  
des aspirateurs, tondeuses à gazon ou appareils électroniques.

Pour connaître le no. de téléphone du **Service des pièces et de l'entretien**  
**Sears** afin de commander les pièces de rechange, accessoires et  
manuels d'instructions requis pour effectuer vous-même les réparations.

**www.sears.ca**

Pour acheter ou demander des renseignements  
sur un contrat d'entretien Sears, téléphonez au:  
**1-800-361-6665**

de 9 h à 23 h du lundi au vendredi (HNE), de 9 h à 16 h le samedi!

For service in English:  
**1-800-4-MY-HOME**<sup>®</sup>  
(1-800-469-4663)  
**www.sears.ca**



**TRACTEUR - - NUMÉRO DE MODÈLE 944.604230  
MOTEUR "BRIGGS & STRATTON" - NO. DE MODÈLE 33R877, NO. DE TYPE 0017-G1**

| NO. | DE | PIÈCE  | DESCRIPTION                           | NO.    | DE | PIÈCE  | DESCRIPTION                             |
|-----|----|--------|---------------------------------------|--------|----|--------|---|
| 513 | DE | 692024 | Embrayage-Conduisez                   | 975    | DE | 699502 | Cuve de Carburateur                     |
| 523 | DE | 699908 | Jauge de Remplissage d'huile          | 987    | DE | 698777 | Axe de Joint-Commande de puis-          |
| 524 | DE | 691032 | Joint d'étanchéité, Tube de Remplis-  | 1005   | DE | 796084 | Ventilateur de Volant du Moteur         |
| 525 | DE | 697184 | Tube de Remplissage d'huile           | 1017   | DE | 796981 | Ecran de pompe d'huile                  |
| 552 | DE | 697144 | Douille, Manivelle du Régulateur      | 1022   | DE | 272475 | Garniture, Couverture de Balancier      |
| 562 | DE | 691119 | Vis de Levier de Régulateur           | 1023   | DE | 797421 | Couverture de Balancier                 |
| 579 | DE | 691029 | Ecro (Câble de démarrage)             | 1024   | DE | 794644 | Pompe d'huile                           |
| 584 | DE | 794682 | Passage de Couvrir-Rentillard         | 1026   | DE | 692003 | Tige à Frein                            |
| 601 | DE | 791850 | Bride de Serrage de Tuyau (Green)     | 692011 | DE | 692011 | Tige à Frein                            |
| 614 | DE | 691620 | Pin (Manivelle du Gouverneur)         | 1027   | DE | 795890 | Filtre à huile                          |
| 616 | DE | 692012 | Manivelle du Régulateur               | 1029   | DE | 691751 | Bras de Balancier                       |
| 617 | DE | 692138 | Anneau de Joint-o (tubulure de prise) | 1034   | DE | 690822 | Guide-Poussez Rod                       |
| 633 | DE | 699813 | Siège de Arbre de Starter/ Papiillon  | 1036   | DE |        | Jeu d'étriqueotte (Fourni par un reven- |
| 634 | DE | 698779 | Assemblée de ressort/joint            | 1040   | DE | 698368 | Plat d'équilibré                        |
| 635 | DE | 691909 | Coude de Bougie d'allumage            | 1044   | DE | 698139 | Vis (Volant Magnéto)                    |
| 654 | DE | 690958 | Ecro (Carburetor)                     | 1051   | DE | 691265 | Circlip                                 |
| 684 | DE | 697157 | Vis, (Couverture de passage de reni-  | 1058   | DE | 277675 | Le manuel de l'opérateur                |
| 691 | DE | 692407 | Joint d'axe du Gouverneur             | 1059   | DE | 698516 | Jeu-Vis/Rondelle (Alternateur)          |
| 697 | DE | 791680 | Vis, Moteur de Rebobinage             | 1091   | DE | 691293 | Arrêteur de brosse                      |
| 718 | DE | 690959 | Goupille de Emplacement               | 1095   | DE | 794152 | Fixée, Garnitures du Soupape            |
| 729 | DE | 691224 | Agrafe-Fil                            | 1119   | DE | 691183 | Vis, Alternateur                        |
| 741 | DE | 697128 | Vitesse de Distribution               | 1127   | DE | 695407 | Vis, Cuve de Flotteur                   |
| 750 | DE | 790832 | Vis, (Pompe de Couvrir-Huile)         | 1139   | DE | 796449 | Rondelle (Pompe à essence)              |
| 757 | DE | 793242 | Lien-Contrepoids                      | 1263   | DE | 697124 | Roseau de renfiliard                    |
| 758 | DE | 793763 | Contrepoids                           | 1264   | DE | 697104 | Vis, Roseau de renfiliard               |
| 759 | DE | 697392 | Pin-Contrepoids                       | 1265   | DE | 794151 | Appui de logement de ventilateur        |
| 773 | DE | 796448 | Arrêteur                              | 1266   | DE | 691917 | Joint de joint circulaire (Coude        |
| 783 | DE | 693713 | Vitesse-Pignon                        | 1270   | DE | 793243 | Contrepoids de Prise-AVS                |
| 789 | DE | 698329 | Harnais-Câblage                       | 1279   | DE | 691108 | Vis (1/4-20x.62)                        |
| 797 | DE | 693167 | Ecro (Arrêteur de brosse)             | 1329   | DE | N/A    | Remplacement Engine (Not Available At   |
| 801 | DE | 691283 | Chapeau-Conduisez                     | 1330   | DE | N/A    | Réparez le manuel                       |
| 802 | DE | 691286 | Monture                               | 1332   | DE | 591991 | Rondelle                                |
| 830 | DE | 691095 | Bras de Goujon-Culbuteur              |        | DE |        |   |
| 842 | DE | 691031 | Joint Torique, d'étanchéité           |        | DE |        |   |
| 847 | DE | 790442 | Ensemble des Tube et Jauge de Rem-    |        | DE |        |   |
| 850 | DE | 100106 | plissage d'huile                      |        | DE |        |   |
| 851 | DE | 692424 | Borne, Bougie d'allumage              |        | DE |        |   |
| 868 | DE | 690968 | Joint d'étanchéité, Soupape           |        | DE |        |   |
| 877 | DE | 790544 | Fil/Connecteur-Alternateur            |        | DE |        |   |
| 883 | DE | 692236 | Garniture d'échappement               |        | DE |        |   |
| 914 | DE | 691108 | Vis, Couverture de Balancier          |        | DE |        |   |
| 918 | DE | 791744 | Flexible d'aspiration                 |        | DE |        |   |
| 943 | DE | 690589 | Anneau de Joint-o (couverture de      |        | DE |        |   |
| 947 | DE | 699915 | pompe d'huile)                        |        | DE |        |   |
| 964 | DE | 799159 | Solenoïde-Carburant                   |        | DE |        |   |
| 965 | DE | 499613 | Chapeau-Connecteur                    |        | DE |        |   |
| 967 | DE | 793685 | Pompe de Couvrir-Huile                |        | DE |        |   |
| 968 | DE | 591644 | Décapant de Filtre-Pré                |        | DE |        |   |
|     | DE |        | Décapant de Couvrir-Air               |        | DE |        |   |

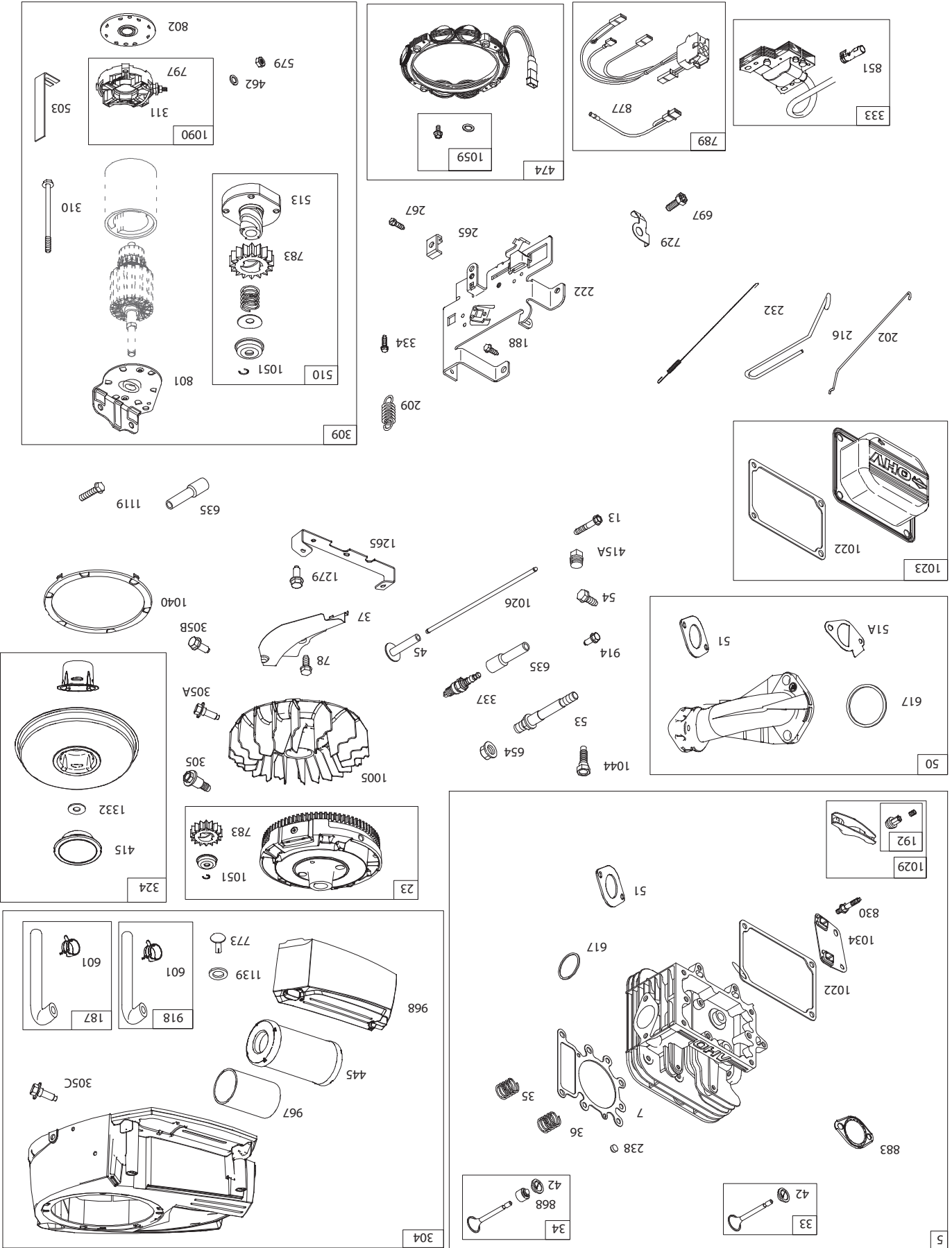
**REMARQUE:** Toutes les dimensions de composant sont données en pouces E.-U. -- 1 pouce = 25,4 mm

Ensemble de garniture de moteur No. De Réf. 358  
 Ensemble de garniture de valve No. De Réf. 1095  
 Kit de révision de carburateur No. De Réf. 121

**TRACTEUR - - NUMÉRO DE MODÈLE 944.604230  
MOTEUR "BRIGGS & STRATTON" - NO. DE MODÈLE 33R877, NO. DE TYPE 0017-G1**

| NO. | DE | PIÈCE   | DESCRIPTION                       | NO.  | DE | PIÈCE  | DESCRIPTION                                |
|-----|----|---------|-----------------------------------|------|----|--------|--|
| 1   |    | 591465  | Ensemble du Cylindre              | 131  |    | 792765 | Jeu-Axe de commande de puissance           |
| 2   |    | 797673  | Bague/kit de joint                | 133  |    | 694914 | Ens. de Flotteur de Carburateur            |
| 3   |    | 391086S | Bague d'étanchéité (Côté Magnéto) | 135  |    | 698780 | Tube d'essence                             |
| 4   |    | 592849  | Carter de vidange-Moteur          | 137  |    | 698781 | Garniture du Flotteur                      |
| 5   |    | 591750  | Tête de Cylindre                  | 141  |    | 592937 | Jeu-Obstruez l'axe                         |
| 7   |    | 794114  | Garniture de la Tête de Cylindre  | 187  |    | 791805 | Tuyau, Essence                             |
| 9   |    | 697109  | Garniture de reniflard            | 187A |    | 791766 | Tuyau, Essence                             |
| 11  |    | 794683  | Tube de Reniflard                 | 188  |    | 691693 | Vis, Support de Control                    |
| 12  |    | 697110  | Garniture du Carter-moteur        | 192  |    | 691986 | Balancier de Réglage                       |
| 13  |    | 592244  | Vis de Tête de Cylindre           | 202  |    | 691841 | Gouverneur Lien-Mécanique                  |
| 15  |    | 690946  | Bouchon de vidange d'huile        | 209  |    | 796260 | Ressort, Régulateur (Green)                |
| 16  |    | 591763  | Vilbrequin                        | 216  |    | 691840 | Lien-Obstruez                              |
| 20  |    | 795387  | Bague d'étanchéité (Côté PTO)     | 217  |    | 695409 | Ressort-Obstruez le retour                 |
| 22  |    | 692125  | Vis de Montage de Bac à Sems      | 222  |    | 694042 | Support du Carburateur                     |
| 23  |    | 591759  | Volant Magnéto                    | 227  |    | 691374 | Ensemble du Levier de Régulateur           |
| 24  |    | 591757  | Cle de Volant                     | 232  |    | 691842 | Lien de Ressort-Gouverneur                 |
| 25  |    | 795858  | Piston Assembly (Standard)        | 238  |    | 691843 | Chapeau-Valve                              |
| 26  |    | 794126  | Ensemble du Piston, Standard      | 240  |    | 691035 | Filter-Carburant                           |
| 27  |    | 794127  | Ensemble du Piston, 0,020" OS     | 267  |    | 794904 | Vis (Bride d'enveloppe)                    |
| 28  |    | 795861  | Verrou de l'axe de Piston         | 276  |    | 695410 | Rondelle-Cachetage                         |
| 29  |    | 794571  | Ensemble de la Bielle             | 304  |    | 592814 | Boîtier de Soufflerie                      |
| 32  |    | 791118  | Vis de Bielle                     | 305  |    | 697102 | Vis H, Boîtier de Soufflerie (1/4-20x1,14) |
| 33  |    | 591752  | Soupape d'échappement             | 305A |    | 793376 | Vis H, Boîtier de Soufflerie (1/4-20x,68)  |
| 34  |    | 591751  | Soupape d'admission               | 305B |    | 795891 | Vis H, Boîtier de Soufflerie               |
| 35  |    | 691279  | Ressort de Soupape d'admission    | 305C |    | 799370 | Vis H, Boîtier de Soufflerie               |
| 36  |    | 691279  | Ressort de Soupape                | 306  |    | 794953 | Protecteur deCylindre (1/4-20x,90)         |
| 37  |    | 699882  | Protecteur de Volant Magnéto      | 307  |    | 691693 | Vis, Protecteur de Cylindre                |
| 42  |    | 499586  | Guide à Soupape                   | 309  |    | 693551 | Démarrateur de Rebobinage                  |
| 43  |    | 691968  | E Carter-Gouverneur/pétrole       | 310  |    | 690323 | Vis, Moteur de Rebobinage                  |
| 45  |    | 690564  | Poussoir à Soupape                | 311  |    | 497608 | Brush Set                                  |
| 46  |    | 793880  | Engrenage de Came                 | 324  |    | 796309 | Assemblée d'écran/fasse                    |
| 48  |    | N/A     | Bloc court                        | 333  |    | 592841 | Armature de Magnéto                        |
| 50  |    | 592842  | Coude de prise                    | 334  |    | 691061 | Vis de Armature de Magnéto                 |
| 51  |    | 692137  | Garniture de Coude d'admission    | 337  |    | 793541 | Bougie d'allumage                          |
| 51A |    | 796081  | Garniture de Coude d'admission    | 358  |    | 796187 | Jeu de la Garniture de Moteur              |
| 53  |    | 591260  | Stud (Carburetor)                 | 377  |    | 691639 | Key-Woodruff                               |
| 54  |    | 691148  | Vis (Coude de prise)              | 404  |    | 691691 | Rondelle de Levier de Régulateur           |
| 78  |    | 691693  | Vis (Garde de volant)             | 415  |    | 794129 | Prise (couverture/arretoir)                |
| 94  |    | 793610  | Kit-Mélange à vide                | 431  |    | 799043 | Coude de prise                             |
| 95  |    | 690718  | Vis à Sems de Montage de Soupape  | 445  |    | 793569 | Cartouche de décapant de Filtre-Air        |
| 98  |    | 695408  | Jeu de Vitesses à Vide            | 462  |    | 691261 | Rondelle (Câble de démarrage)              |
| 104 |    | 694918  | Axe de Charnière de Flotteur      | 474  |    | 592831 | Alternateur                                |
| 108 |    | 695419  | Soupape à Starter                 | 503  |    | 691532 | Courroie-Démarrateur                       |
| 117 |    | 796251  | Giclette, Standard                | 505  |    | 691251 | Ecroû de Levier de Régulateur              |
| 118 |    | 791406  | Giclette, Altitude Haute          | 510  |    | 693699 | Conduire-Démarrateur                       |
| 121 |    | 796184  | Jeu de Carburateur                |      |    |        |  |
| 125 |    | 591736  | Carburateur                       |      |    |        |  |
| 127 |    | 690727  | Rondelle Obturatrice              |      |    |        |  |
| 130 |    | 792747  | Soupape de Commande des Gaz       |      |    |        |  |

**TRACTEUR - - NUMÉRO DE MODÈLE 944.604230**  
**MOTEUR "BRIGGS & STRATTON" - NO. DE MODÈLE 33R877, NO. DE TYPE 0017-G1**



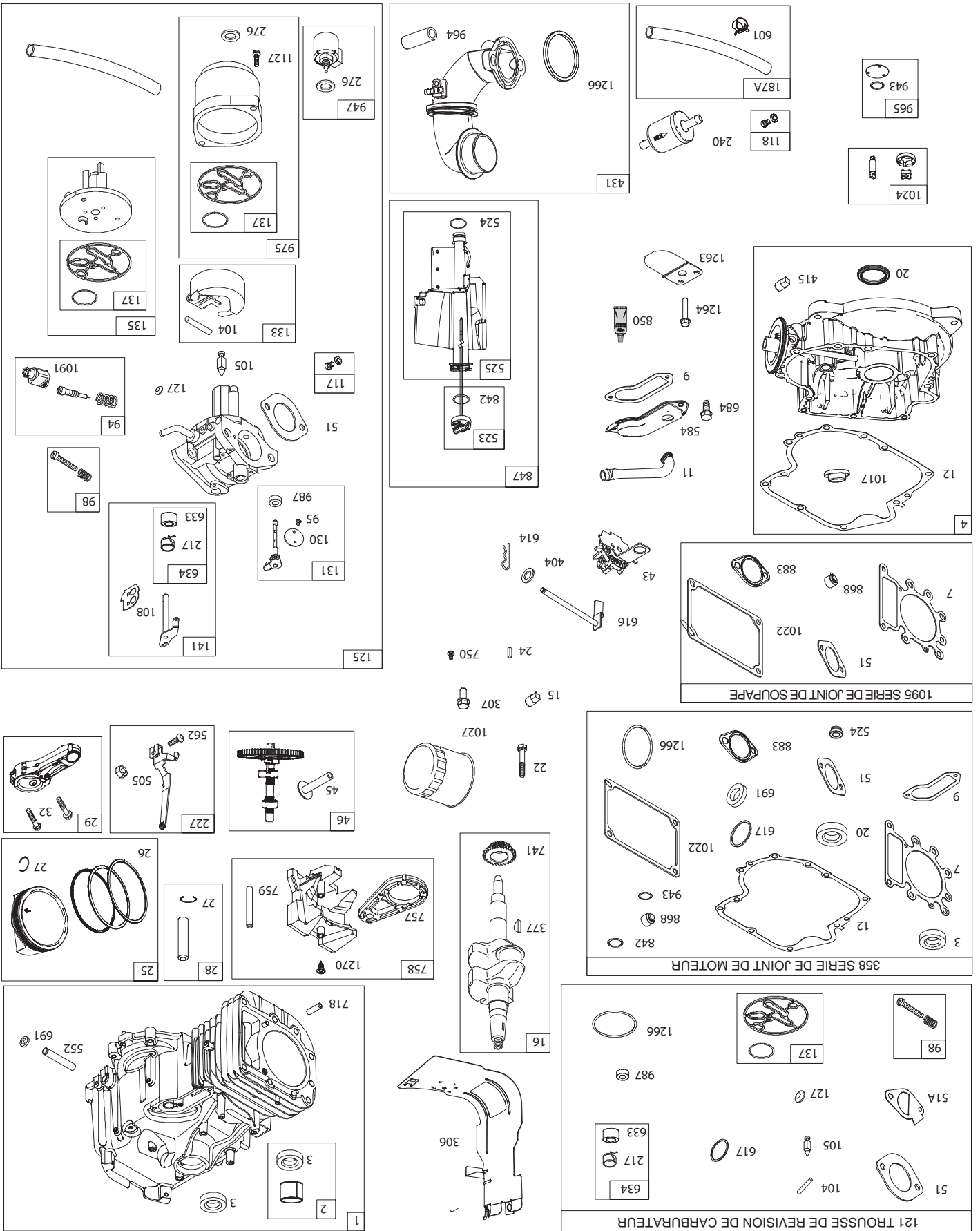
**TRACTEUR - - NUMÉRO DE MODÈLE 944.604230**  
**MOTEUR "BRIGGS & STRATTON" - NO. DE MODÈLE 33R877, NO. DE TYPE 0017-G1**

1329 MOTEUR DE RECHANGE

1058 MANUEL DE L'OPÉRATEUR

1036 EMISSIONS ETIQUETENT

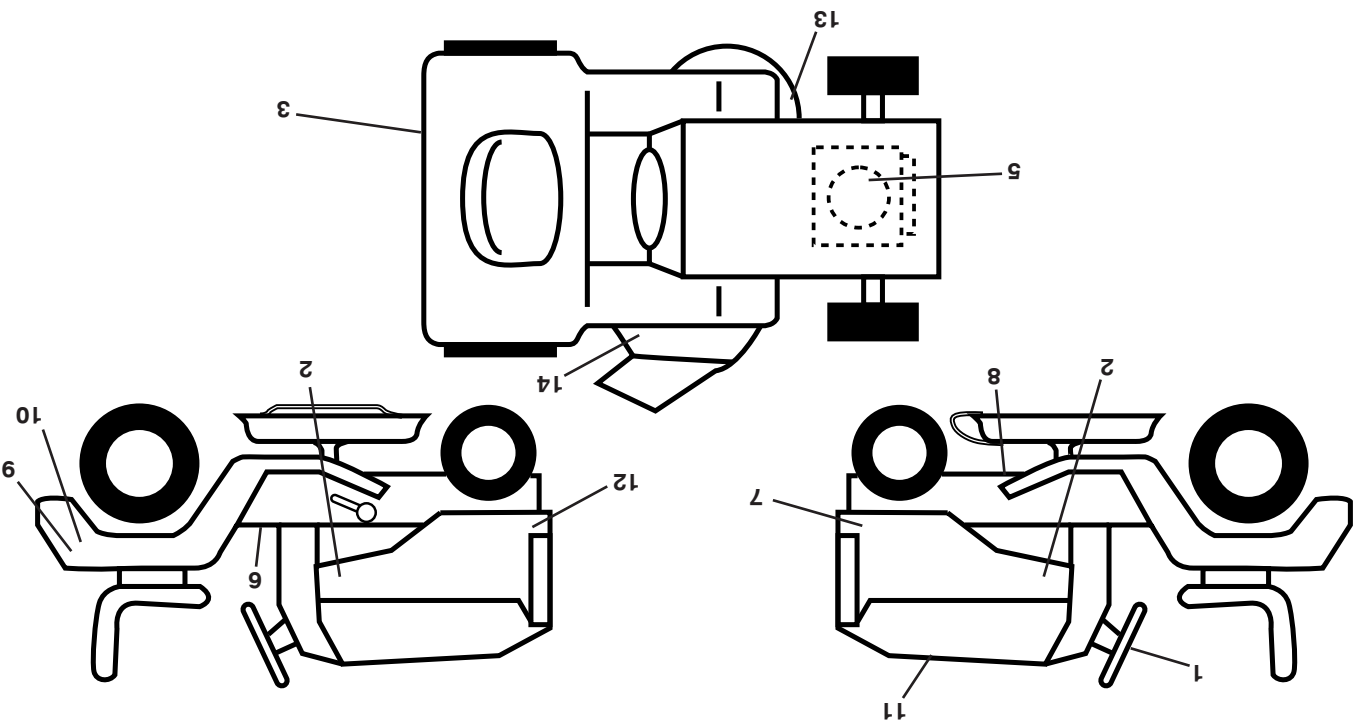
48 BLOC COURT





# TRACTEUR - - NUMÉRO DE MODÈLE 944.604230

## DECALCOMANIES



NO. DE DÉ  
REF. PIÈCE

DESCRIPTION

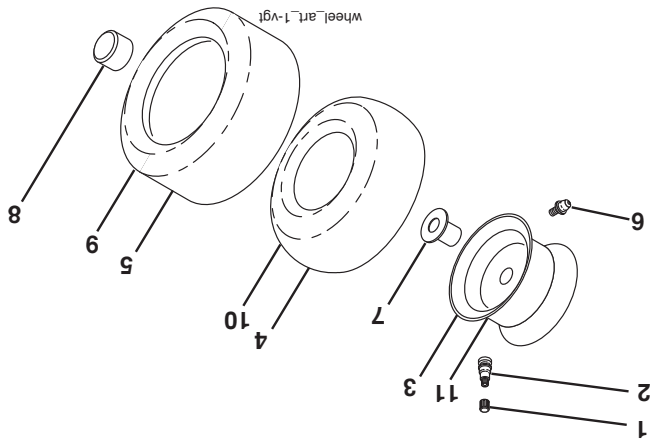
1 581894601 Décalcomanie, Volant de direction  
 2 585767601 Décalcomanie du capot  
 3 586627301 Décalcomanie, Tableau De Bord  
 5 585722401 Décalcomanie, Moteur C.V.  
 6 581579001 Décalcomanie d'avertissement de  
 Tableau De Bord  
 7 586644501 Décalcomanie, Tableau De Bord (C.D.)  
 8 421534 Décalcomanie de courroie  
 9 149517 Décalcomanie d'avertissement de batterie  
 10 448709 Décalcomanie de batterie  
 11 580385701 Décalcomanie, Remplacement  
 12 586644502 Décalcomanie, Tableau De Bord (C.G.)

NO. DE DÉ  
REF. PIÈCE

DESCRIPTION

13 581580001 Décalcomanie de courroie de tondeuse  
 14 584904601 Décalcomanie d'avertissement  
 193226X428 Coussin de repose-pied (C.G.)  
 193227X428 Coussin de repose-pied (C.D.)  
 581724801 Décalcomanie, Dérivation  
 586652124 Manuel de L'Opérateur  
 (Anglais/Français)  
 587754924 Manuel des Pièces de Remplacement  
 (Anglais/Français)

## PNEU



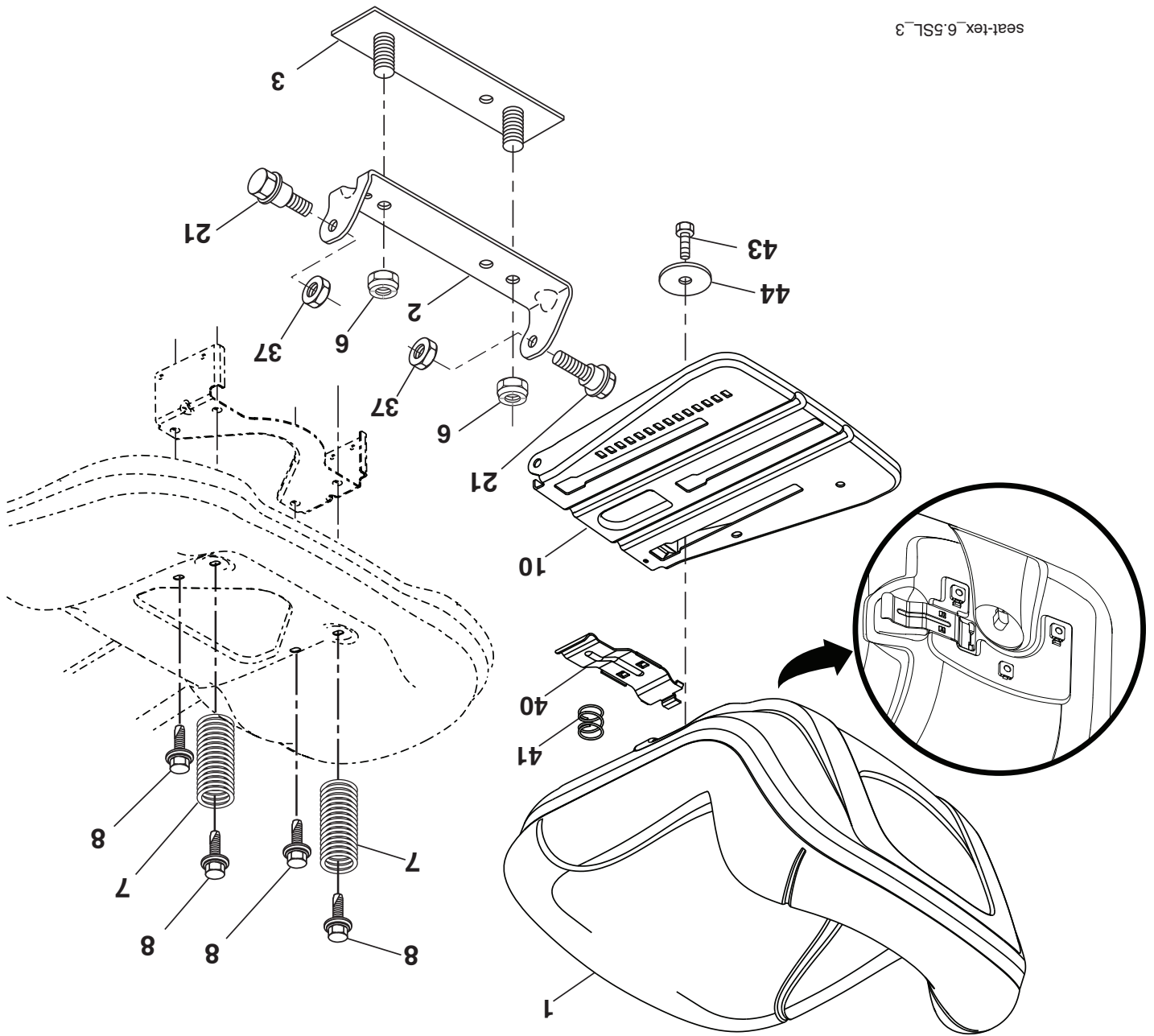
NO. DE DÉ  
REF. PIÈCE

DESCRIPTION

1 59192 Chapeau de soupape du pneu  
 2 65139 Tuyau du soupape  
 3 106732X613 Assemblage de la jante antérieure  
 4 59904 Chambre à air antérieure  
 5 106222X Pneu antérieur 15 x 6.0-6  
 6 278H Graisseur  
 7 9040H Palier à collerette  
 8 104757X613 Chapeau de l'essieu (Roue antérieure  
 seulement)  
 9 138468 Pneu arrière 20 x 8-8  
 10 7152J Chambre à air arrière  
 11 106108X613 Assemblage de la jante arrière  
 -- 144334 Joint d'étanchéité de pneu (tube de  
 .30L [10 oz. Tube])

REMARQUE: Toutes les dimensions de composant sont  
 données en pouces E.-U. --1 pouce = 25,4 mm

**TRACTEUR - - NUMÉRO DE MODÈLE 944.604230**  
**ENSEMBLE DU SIÈGE**



seat-tex\_6.5SL\_3

| NO. | DE       | REF. | PIECE                                    |
|-----|----------|------|--|
| 1   | 423645   |      | Siège                                    |
| 2   | 180166   |      | Support de pivot                         |
| 3   | 140675   |      | Support de siège                         |
| 6   | 73800600 |      | Contre-écrou avec rondelle insert 3/8-16 |
| 7   | 124181X  |      | Ressort de compression du siège          |
| 8   | 171877   |      | Boulon 5/16-18 unc x 3/4                 |
| 10  | 196977   |      | Panneau du siège                         |
| 21  | 171852   |      | Boulon 5/16-18                           |

**DESCRIPTION**

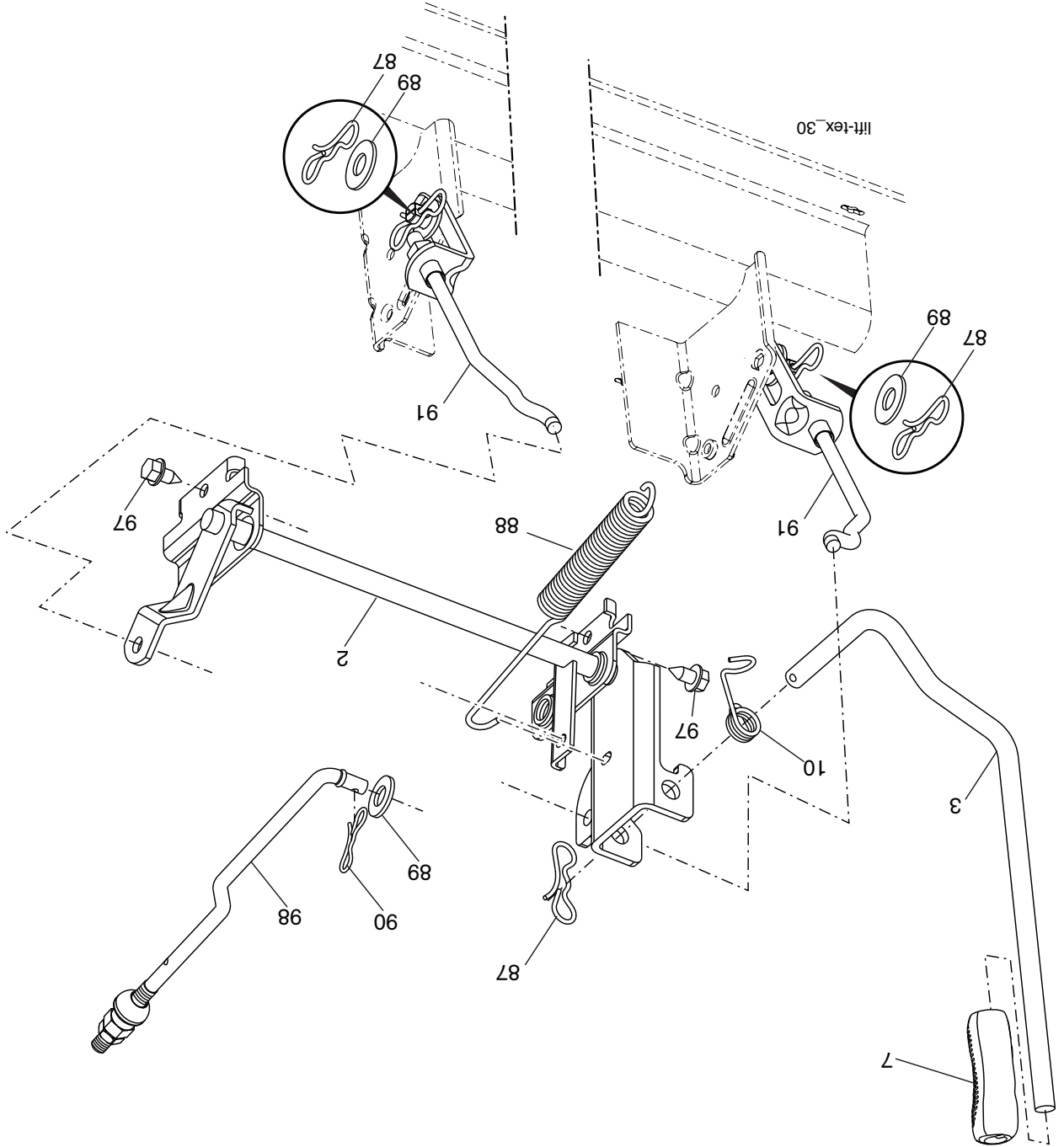
| NO. | DE       | REF. | PIECE                           |
|-----|----------|------|---------------------------------|
| 37  | 73800500 |      | Contre-écrou 5/16-18            |
| 40  | 197661   |      | Poignée de siège                |
| 41  | 198200   |      | Ressort de siège                |
| 43  | 74760612 |      | Boulon 3/8-16 x 3/4             |
| 44  | 19133812 |      | Rondelle 13/32 x 2-3/8 x 12 Ja. |

**REMARQUE:** Toutes les dimensions de composant sont données en pouces E.-U. -- 1 pouce = 25,4 mm

| NO. | DE       | REF. | PIECE                           |
|-----|----------|------|---------------------------------|
| 37  | 73800500 |      | Contre-écrou 5/16-18            |
| 40  | 197661   |      | Poignée de siège                |
| 41  | 198200   |      | Ressort de siège                |
| 43  | 74760612 |      | Boulon 3/8-16 x 3/4             |
| 44  | 19133812 |      | Rondelle 13/32 x 2-3/8 x 12 Ja. |



**TRACTEUR -- NUMÉRO DE MODÈLE 944.604230**  
**LEVAGE DE LA TONDEUSE**



| NO. DE PIÈCE | REF. PIÈCE | DESCRIPTION                |
|--------------|------------|----------------------------|
| 91           | 197984     | Raccord du levage, arrière |
| 97           | 17060612   | Vis 3/8-16 x .75           |
| 98           | 420525     | Raccord du levage, avant   |

| NO. DE PIÈCE | REF. PIÈCE | DESCRIPTION                |
|--------------|------------|----------------------------|
| 2            | 422027     | Ensemble de l'arbre        |
| 3            | 426896     | Levier de l'ensemble, C.D. |
| 7            | 445060X428 | Poignée                    |
| 10           | 196314     | Ressort de torsion         |
| 87           | 194209     | Goupille fendue 7/16       |
| 88           | 195303     | Ressort                    |
| 89           | 19191912   | Rondelle                   |
| 90           | 194208     | Goupille fendue 5/16       |

**REMARQUE:** Toutes les dimensions de composant sont données en pouces E.-U. -- 1 pouce = 25,4 mm.

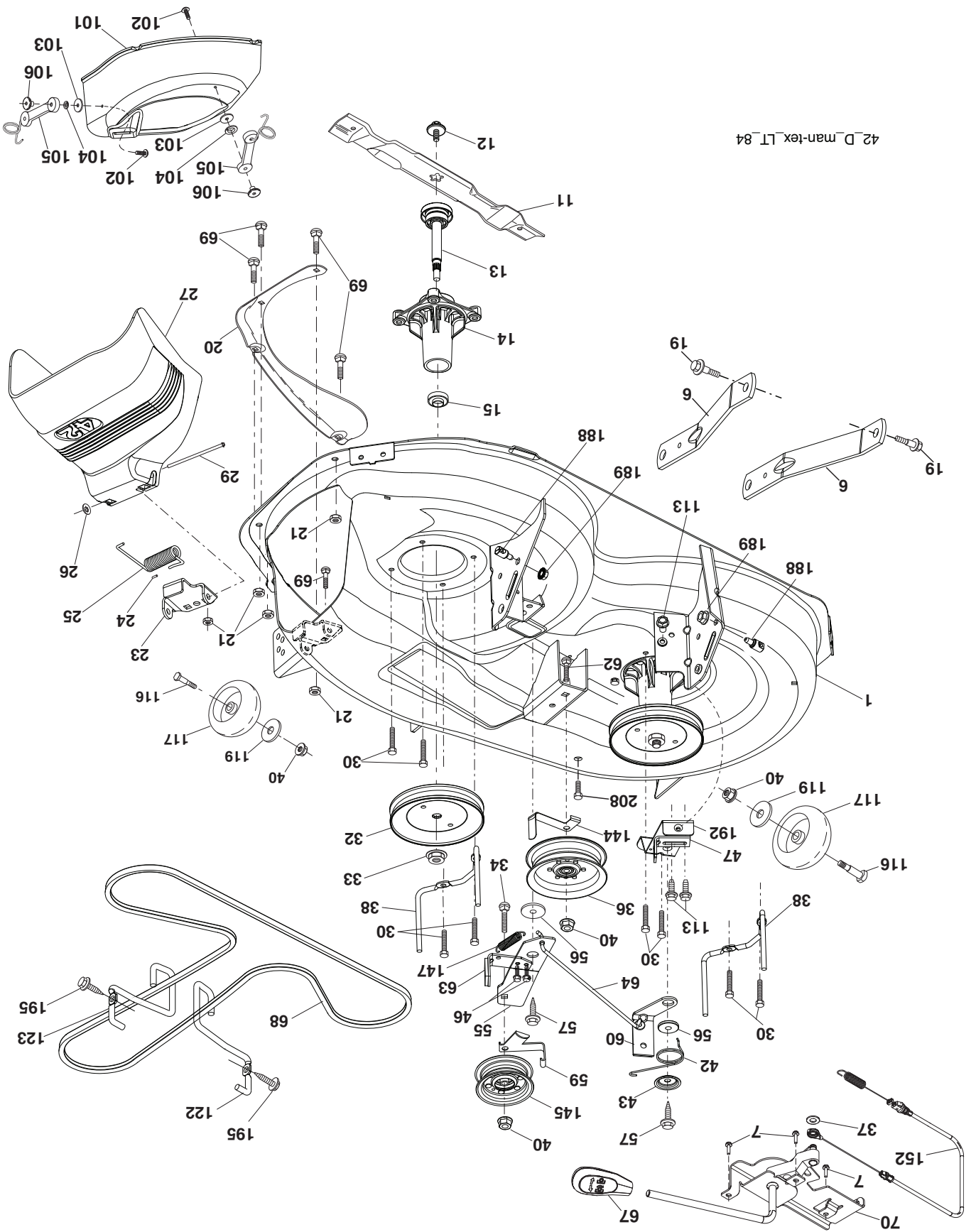
# TRACTEUR - - NUMÉRO DE MODÈLE 944.604230

## CARTER DE TONDEUSE

| NO. | DE         | PIÈCE | DESCRIPTION                                       | NO.    | DE        | PIÈCE | DESCRIPTION  |
|-----|------------|-------|---|--------|-----------|-------|--|
| 1   | 195186     |       | Tondeuse du gazon                                 | 101    | 193107    |       | Couverture   |
| 6   | 195186     |       | Tige du suspension                                | 102    | 71081010  |       | Vis 10-24 x 5/8  |
| 7   | 416358     |       | Vis 10 x .750                                     | 103    | 19061216  |       | Rondelle #10   |
| 11  | 424752     |       | Lame 3N1 "Supérieure"(Pour ramassage ou décharge) | 104    | 10071000  |       | Rondelle #10   |
| 12  | 584309301  |       | Vis 7/16-20 x 1                                   | 105    | 160793    |       | Ensemble de loquet   |
| 13  | 587256501  |       | Assemblage d'arbre du mandrin                     | 106    | 2029J     |       | Écrou .327/.304 #10-24   |
| 14  | 18281      |       | Boîtier de mandrin                                | 113    | 17000510  |       | Boulon 5/16-18   |
| 15  | 585323901  |       | Palier du mandrin                                 | 116    | 4898H     |       | Boulon   |
| 19  | 196539     |       | Boulon  | 117    | 188606    |       | Roue   |
| 20  | 159770     |       | Chicane   | 119    | 19121414  |       | Rondelle   |
| 21  | 73680500   |       | Écrou 5/16-18 unc                                 | 122    | 197258    |       | Garde du courroie (C.G.)   |
| 23  | 192557     |       | Support de déflecteur                             | 123    | 197259    |       | Garde du courroie (C.D.)   |
| 24  | 105304X    |       | Chapeau   | 144    | 199204    |       | Garde du courroie  |
| 25  | 197026     |       | Ressort   | 145    | 193197    |       | Poulie de tension  |
| 26  | 110452X    |       | Écrou   | 147    | 401971    |       | Ressort de retour  |
| 27  | 42469      |       | Déflecteur  | 152    | 584243501 |       | Câble d'embrayage avec ressort   |
| 29  | 131491     |       | Tige d'articulation                               | 152    | 584243501 |       | Câble d'embrayage avec ressort   |
| 30  | 173984     |       | Vis   | 188    | 195161    |       | Attache à tenon  |
| 32  | 197473     |       | Poulie de mandrin                                 | 189    | 73900500  |       | Contre-écrou collerette  |
| 33  | 400234     |       | Écrou   | 192    | 197260    |       | Support (C.G.)   |
| 34  | 72110612   |       | Boulon 3/8-16 x 1-1/2 Cat. 5                      | 195    | 17000612  |       | Vis 3/8-16 x 3/4   |
| 36  | 197379     |       | Pouie de galet-tendeur                            | 208    | 17670608  |       | Vis 3/8-16 x 1/2   |
| 37  | 19131316   |       | Rondelle  | --     | 587253301 | --    | Assemblage du mandrin (Inclut boîte (#14), ensemble arbre (#13), et palier-soleusement (#15)- poulie/écrou/rondelle et lame, boulon/rondelle n'est pas inclus) |
| 38  | 432520     |       | Garde de courroie                                 | 442755 |           | --    | Tondeuse du gazon pour remplacement, Complet   |
| 40  | 73900600   |       | Écrou 3/8-16 unc                                  |        |           |       |  |
| 42  | 198410     |       | Ressort de torsion du frein                       |        |           |       |  |
| 43  | 197256     |       | Ressort de torsion de retenue                     |        |           |       |  |
| 46  | 137229     |       | Vis 1/4-20 x 5/8                                  |        |           |       |  |
| 47  | 197250     |       | Support du câble de commande                      |        |           |       |  |
| 55  | 437110     |       | Tige  |        |           |       |  |
| 56  | 199092     |       | Entretoise de retenue                             |        |           |       |  |
| 57  | 17000616   |       | Vis 3/8-16 x 1                                    |        |           |       |  |
| 59  | 141043     |       | Garde de poulie                                   |        |           |       |  |
| 60  | 197261     |       | Tige du frein du tondeuse                         |        |           |       |  |
| 62  | 72110616   |       | Boulon 3/8-16 unc x 2                             |        |           |       |  |
| 63  | 199477     |       | Tige du frein du tondeuse                         |        |           |       |  |
| 64  | 199790     |       | Tige du frein                                     |        |           |       |  |
| 67  | 198398X667 |       | Poignée du câble de commande d'embrayage          |        |           |       |  |
| 68  | 429636     |       | Courroie de tondeuse                              |        |           |       |  |
| 69  | 72140505   |       | Boulon 5/16-18 x 5/8                              |        |           |       |  |
| 70  | 199972     |       | Assemblage d'embrayage                            |        |           |       |  |

**REMARQUE:** Toutes les dimensions de composant sont données en pouces E.-U. -- 1 pouce = 25,4 mm

TRACTEUR - - NUMÉRO DE MODÈLE 944.604230  
CARTER DE TONDEUSE



42\_D\_man-tex\_LT\_84

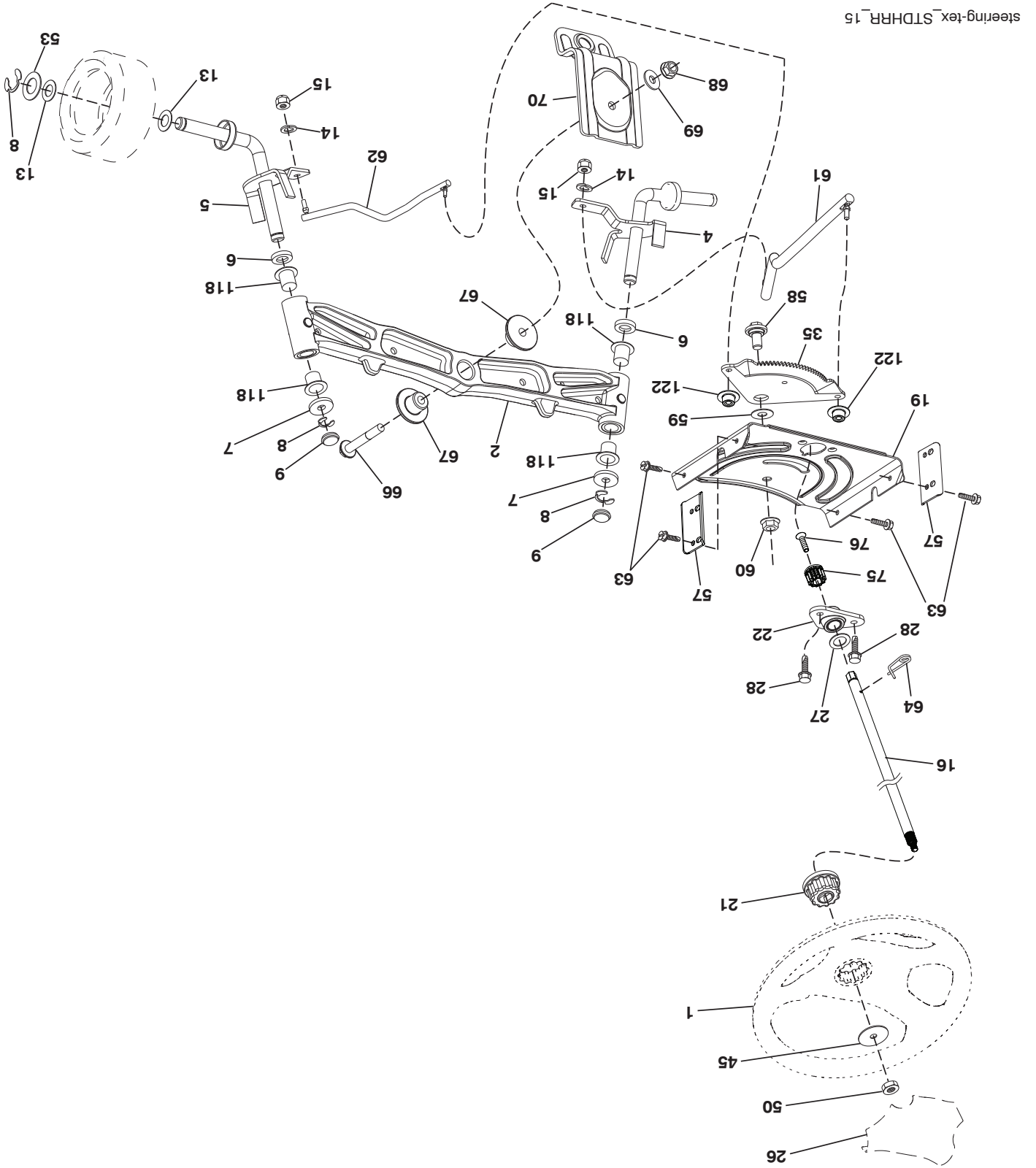
**TRACTEUR - - NUMÉRO DE MODÈLE 944.604230**  
**ENSEMBLE DE LA DIRECTION**

| NO. | DE | RÉF.       | PIÈCE | DESCRIPTION                            |
|-----|----|------------|-------|--|
| 1   |    | 414803X428 |       | Volant de direction                    |
| 2   |    | 436870     |       | Assemblage d'essieu                    |
| 4   |    | 403087     |       | Fusée d'arbre (C.G.)                   |
| 5   |    | 403088     |       | Fusée d'arbre (C.D.)                   |
| 6   |    | 6266H      |       | Palier                                 |
| 7   |    | 121748X    |       | Rondelle 25/32 x 1-5/8 x 16 Ja.        |
| 8   |    | 12000029   |       | Anneau de retenue #T5304-75            |
| 9   |    | 184946X667 |       | Chapeau de fusée d'arbre               |
| 13  |    | 121749X    |       | Rondelle 25/32 x 1-1/4 x 16 Ja.        |
| 14  |    | 10040600   |       | Rondelle 3/8                           |
| 15  |    | 73540600   |       | Erou 3/8-24 unf                        |
| 16  |    | 587016002  |       | Arbre de direction                     |
| 19  |    | 194729     |       | Plaque de direction                    |
| 21  |    | 586840201  |       | Adaptateur du volant de direction      |
| 22  |    | 585029802  |       | Palier                                 |
| 26  |    | 414852X428 |       | Chapeau du volant de direction         |
| 27  |    | 19211616   |       | Rondelle                               |
| 28  |    | 17000612   |       | Vis 3/8-16 x 3/4                       |
| 35  |    | 194732     |       | Plaque de mécanisme denté              |
| 45  |    | 587016401  |       | Rondelle 3/8 ID 2-3/8 OD 12 Ja. PLTD   |
| 50  |    | 73900600   |       | Erou 3/8-16 unc                        |
| 53  |    | 188967     |       | Rondelle : 793 x 1.637 x .060          |
| 57  |    | 407465     |       | Support                                |
| 58  |    | 194747     |       | Boulon                                 |
| 59  |    | 194748     |       | Rondelle                               |
| 60  |    | 73971000   |       | Contre-écrou collerette 5/8-11         |
| 61  |    | 194740     |       | Tige de direction (C.G.)               |
| 62  |    | 194741     |       | Tige de direction (C.D.)               |
| 63  |    | 17000512   |       | Vis 5/16-18 x 3/4                      |
| 64  |    | 199849     |       | Collier de retenue                     |
| 66  |    | 71020748   |       | Boulon 7/16-14 x 3                     |
| 67  |    | 194737     |       | Coussinet                              |
| 68  |    | 73900700   |       | Contre-écrou collerette 7/16-14 Cat. 5 |
| 69  |    | 199162     |       | Rondelle 1.5 x .505 x .118             |
| 70  |    | 196197     |       | Support du suspension de tondeuse      |
| 75  |    | 580683701  |       | Pignon                                 |
| 76  |    | 580683601  |       | Vis                                    |
| 118 |    | 406013     |       | Douille                                |
| 122 |    | 444962     |       | Chapeau                                |

**REMARQUE:** Toutes les dimensions de composant sont données en pouces E.-U. -- 1 pouce = 25,4 mm

**TRACTEUR - - NUMÉRO DE MODÈLE 944.604230**

**ENSEMBLE DE LA DIRECTION**



# TRACTEUR - - NUMÉRO DE MODÈLE 944.604230

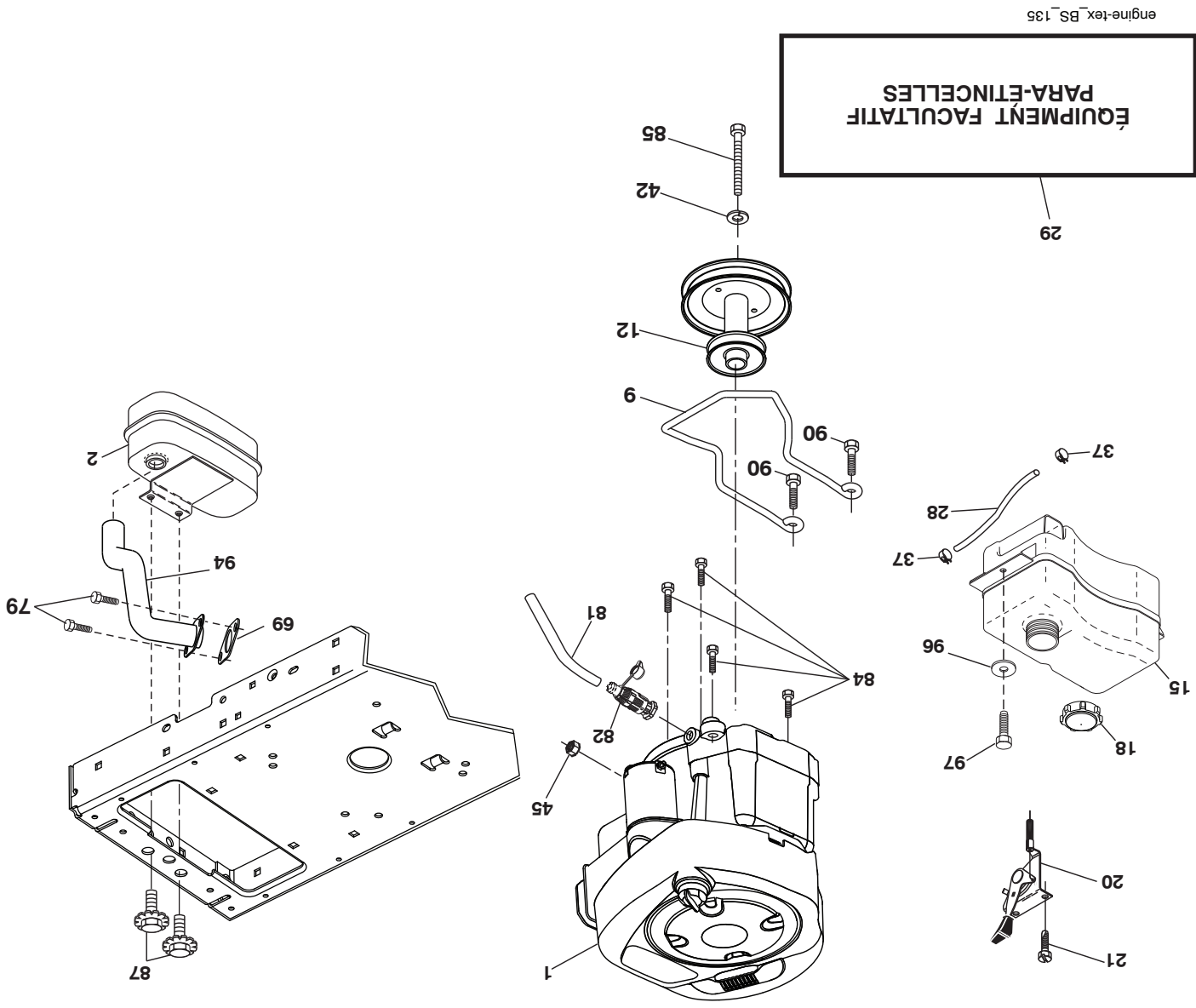
## MOTEUR

| NO. DE RÉF. PIÈCE | DESCRIPTION   |
|-------------------|---|
| 1                 | Moteur B&S No. de modèle 33R877-0017-G1 (586607501) |
| 2                 | 580532301 Silencieux                                |
| 9                 | 582540302 Garde du courroie du moteur               |
| 12                | 586729001 Poulie du moteur                          |
| 15                | 581290101 Réservoir d'essence                       |
| 18                | 430220 Chapeau d'essence                            |
| 20                | 175438X428 Commande des gaz et l'étrangleur         |
| 21                | 416358 Vis 10 x .750                                |
| 28                | 401137 Conduite d'essence                           |
| 29                | 137180 Jeu de pare - étincelles                     |
| 37                | 123487X Collier de serrage pour tuyaux flexibles    |
| 42                | 10040700 Rondelle 7/16                              |
| 45                | 73510400 Ecrou 1/4-20 unc                           |
| 69                | 165291 Garniture                                    |
| 79                | 192334 Vis 5/16-18 x .75                            |
| 81                | 148456 Tuyau D'huile                                |
| 82                | 428287 Vanne de vidange d'huile                     |
| 84                | 17060620 Vis 3/8-16 x 1-1/4                         |
| 85                | 173937 Boulon 7/16-20 x 4 x Cat. 5-1.5              |
| 87                | 171877 Boulon 5/16-18 unc x 3/4                     |
| 90                | 17000616 Vis 3/8-16 x 1.0                           |
| 94                | 581880901 Tuyau d'échappement                       |
| 96                | 19091416 Rondelle 9/32 x 7/8 x 16 Ja.               |
| 97                | 17670412 Vis 1/4-20 x 3/4                           |

**REMARQUE:** Toutes les dimensions de composant sont données en pouce d'E.-U. - - 1 pouce = 25,4 mm.

### Informations concernant la puissance théorique du moteur

La puissance brute pour chaque Modèle de moteur à essence est indiquée conformément au code J1940 (procédure de calcul de la puissance et du couple des petits moteurs) de la SAE (Society of Automotive Engineers) et les performances théoriques ont été obtenues et corrigées selon SAE J1995 (révision 2002-05). Les valeurs de couple sont calculées sur la base de 3060tr/min et celles de puissance sur la base de 3600tr/min. La puissance brute réelle du moteur peut être plus faible notamment à cause des conditions de fonctionnement et des variations d'un moteur à l'autre. Compte tenu de la grande variété de machines sur lesquelles nos moteurs sont utilisés et du nombre de problèmes environnementaux applicables au fonctionnement des équipements, il se peut que le moteur à essence ne développe pas sa puissance théorique une fois qu'il est monté sur une machine particulière (puissance nette ou réelle «sur site»). Cette différence s'explique par un grand nombre de facteurs, tels que (liste non limitative): accessoires (filtre à air, échappement, admission, refroidissement, carburateur, pompe à essence, etc.), limites d'utilisation, conditions ambiantes d'utilisation (température, humidité, altitude) et variations d'un moteur à l'autre. Pour des raisons de fabrication et de capacité limitées, Briggs & Stratton est susceptible de remplacer ce Modèle par un moteur plus puissant.



engine-tex\_BS\_135

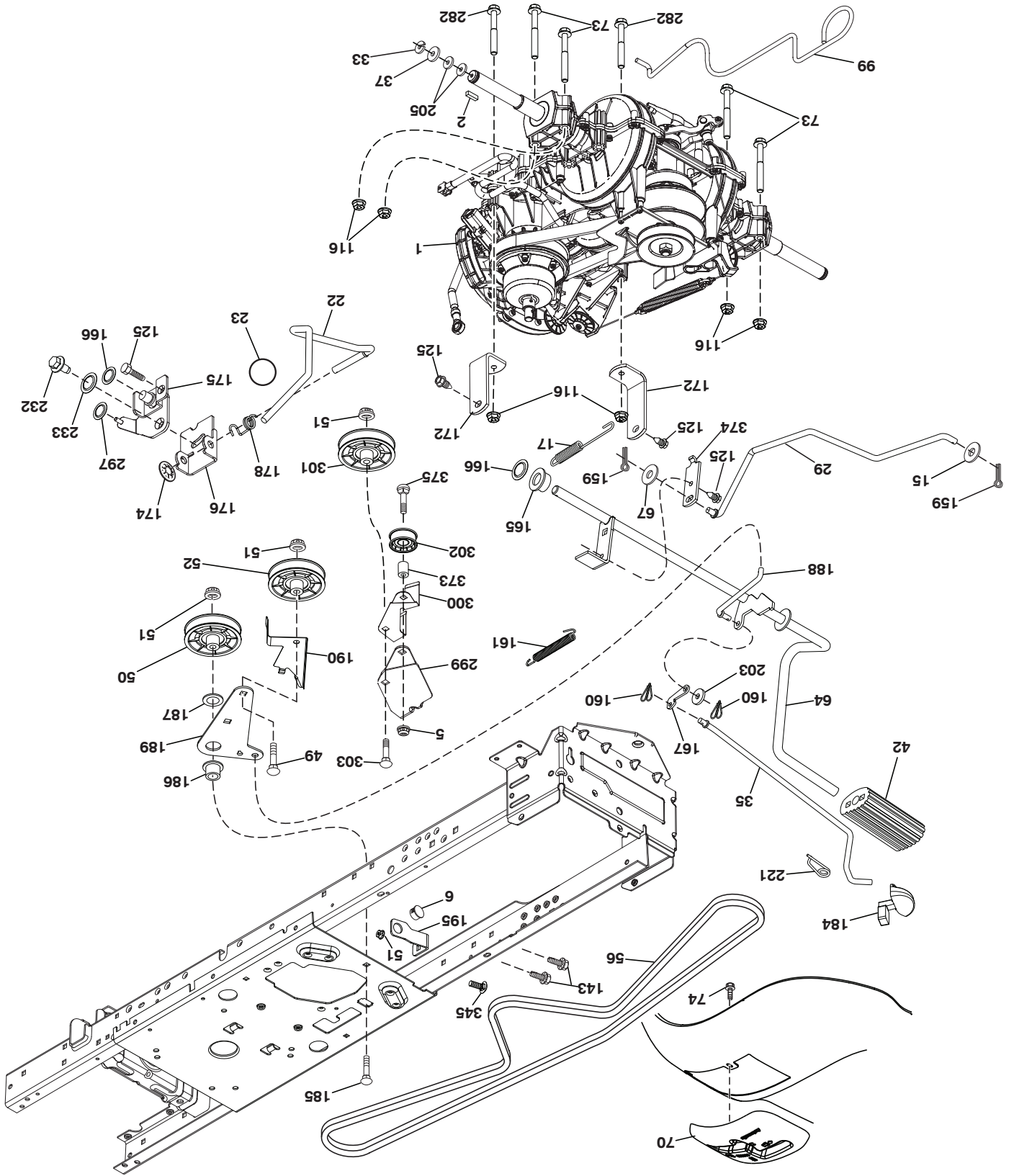
# TRACTEUR - - NUMÉRO DE MODÈLE 944.604230

## ENTRAÎNEMENT

| NO. | DE         | PIÈCE | DESCRIPTION                       | NO. | DE         | PIÈCE | DESCRIPTION                      |
|-----|------------|-------|-----------------------------------|-----|------------|-------|----------------------------------|
| 1   | ---        | ---   | Transaxe, Gentrans (580486301)    | 167 | 405257     | 167   | Loquet Du Frein De Stationnement |
| 2   | 125838X    | ---   | Ciê.2.0 X .1845/.1865             | 175 | 415677     | 175   | Tige Du Mouvement                |
| 5   | 73680600   | ---   | Ecroû                             | 174 | 197289     | 174   | Ecroû .500                       |
| 6   | 124028X    | ---   | Douille De Bouton-Pression        | 178 | 197456     | 178   | Ressort Du Mouvement             |
| 15  | 19131316   | ---   | Rondelle 13/32 x 13/16 x 16 Ja.   | 184 | 196439X428 | 184   | Poignée                          |
| 17  | 501487101  | ---   | Ressort De Rappel-Du Frein        | 185 | 72110622   | 185   | Boulon.3/8-16 Unc X 2-3/4 Cat. 5 |
| 22  | 421063     | ---   | Tige                              | 186 | 194321     | 186   | Entretoise                       |
| 23  | 140845     | ---   | Bouton                            | 187 | 19133210   | 187   | Rondelle.13/32 X 2 X 10 Ja.      |
| 29  | 584823101  | ---   | Tige Du Frein                     | 188 | 582217001  | 188   | Raccord d'embrayage longue       |
| 33  | 12000001   | ---   | Anneau.#5133-75                   | 189 | 194317     | 189   | Support                          |
| 35  | 583864501  | ---   | Tige De Frein Du Stationnement    | 190 | 194318     | 190   | Support                          |
| 37  | 188967     | ---   | Rondelle .793 x 1.637 x 060       | 195 | 581504601  | 195   | Support De Frein                 |
| 42  | 8883R      | ---   | Couvercle Du Pedale               | 203 | 191111116  | 203   | Rondelle 11/32 X 11/16 X 16 Ja.  |
| 49  | 72110614   | ---   | Boulon 3/8-16 Unc X 1-3/4. Cat. 5 | 205 | 121748     | 205   | Rondelle.25/32 X 1-5/8 X 16 Ja.  |
| 50  | 194327     | ---   | Pouille                           | 221 | 403187     | 221   | Ressort De Retenue               |
| 51  | 73900600   | ---   | Ecroû 3/8-16                      | 232 | 74780716   | 232   | Boulon. 7/16-14 X 1 Cat.5        |
| 52  | 194326     | ---   | Pouille                           | 233 | 405296     | 233   | Rondelle                         |
| 56  | 197253     | ---   | Courroie                          | 282 | 74490548   | 282   | Vis 5/16-18 X 3                  |
| 64  | 580401501  | ---   | Ensemble Du Tige Du Frein         | 297 | 420223     | 297   | Ecroû 1/4                        |
| 67  | 19131312   | ---   | Rondelle 13/32 x 13/16 x 12 Ja.   | 299 | 415683     | 299   | Support De Pouille               |
| 70  | 415688X428 | ---   | Console                           | 300 | 415681     | 300   | Garde Du Pouille                 |
| 73  | 74490544   | ---   | Boulon 5/16-18.Cat.5              | 301 | 415680     | 301   | Pouille                          |
| 74  | 142432     | ---   | Vis 1/4 X 1/2 Unc                 | 302 | 581420501  | 302   | Pouille                          |
| 99  | 435935     | ---   | Tige                              | 303 | 72110618   | 303   | Boulon 3/8-16 X 2-1/4            |
| 116 | 73900500   | ---   | Ecroû 5/16-18 Unc                 | 345 | 72110606   | 345   | Boulon 3/16 x 1 Cat. 5           |
| 125 | 17000512   | ---   | Vis .5/16-18X3/4                  | 373 | 581461801  | 373   | Entretoise                       |
| 143 | 17490508   | ---   | Vis.5/16-18 X 1/2                 | 374 | 581475201  | 374   | Levier De Frein                  |
| 159 | 76020412   | ---   | Goupille Fendue 1/8 x 3/4         | 375 | 74760636   | 375   | Boulon                           |
| 160 | 169484     | ---   | Ressort De Retenue                |     |            |       |                                  |
| 161 | 105709X    | ---   | Ressort D'embrayage 6.75          |     |            |       |                                  |
| 165 | 196212     | ---   | Douille                           |     |            |       |                                  |
| 166 | 429164     | ---   | Ecroû .625                        |     |            |       |                                  |

REMARQUE: Toutes les dimensions de composant sont données en pouces E.-U. -- 1 pouce = 25,4 mm.





TRACTEUR - - NUMÉRO DE MODÈLE 944.604230  
ENTRAÎNEMENT

# TRACTEUR - - NUMÉRO DE MODÈLE 944.604230

## CHÂSSIS/ENCEINTES

| NO. | DE | RÉF.       | DESCRIPTION                     | NO. | DE | RÉF.        | DESCRIPTION                              |
|-----|----|------------|---------------------------------|-----|----|-------------|--|
| 5   |    | 580485903  | Tableau de bord                 | 189 |    | 17000512    | Vis 5/16-18 x 3/4                        |
| 14  |    | 580354405  | Capot                           | 191 |    | 580485101   | Phare/Insert Lentille Réfléchissant C.D. |
| 15  |    | 580485601  | Lentille C.G.                   | 194 |    | 73900500    | Ecro 5/16-18                             |
| 18  |    | 580485302  | Calandre                        | 195 |    | 4015556X428 | Bouchon                                  |
| 25  |    | 580484501  | Lentille C.D.                   | 196 |    | 431658      | Ensemble de la console                   |
| 34  |    | 580910801  | Plaque de moteur                | 202 |    | 580485003   | Basse bouclier de garniture C.D.         |
| 35  |    | 191111116  | Rondelle 11/32 x 11/16 x 16 Ja. | 203 |    | 580484803   | Basse bouclier de garniture C.G.         |
| 36  |    | 17060512   | Vis 5/16-18 x 3/4               | 205 |    | 580843708   | Ensemble d'angle C.D.                    |
| 37  |    | 414872X613 | Aile                            | 206 |    | 580843808   | Ensemble d'angle C.G.                    |
| 52  |    | 73680500   | Ecro 5/16-18                    | 213 |    | 74760512    | Boulon 5/16-18 unc x 3/4                 |
| 58  |    | 412280     | Barre D'attelage                | 218 |    | 580897301   | Ensemble de capuche pivot                |
| 68  |    | 17490508   | Vis 5/16-18 x 1/2               | 228 |    | 195161      | Fermeture                                |
| 102 |    | 4497H      | Arrêtir 1"                      | 235 |    | 406129      | Entretoise                               |
| 125 |    | 581684801  | Pince                           | 236 |    | 73930500    | Contre-écrou 5/16-18                     |
| 130 |    | 416358     | Vis # 10 x .750                 | 287 |    | 17600406    | Vis 1/4-20 x 3/8                         |
| 137 |    | 407590     | Pare-Chocs                      | 297 |    | 580484901   | Phare/Insert Lentille Réfléchissant C.G. |
| 138 |    | 193224X428 | Porte-gobelet                   | 298 |    | 580851001   | Ecro                                     |
| 146 |    | 581857901  | Boulon                          | 306 |    | 73900600    | Contre-écrou                             |
| 150 |    | 580485503  | Canalisation du capot           | 335 |    | 580484602   | Panneau de clôture de côté C.D.          |
| 151 |    | 580663302  | Support                         | 336 |    | 580484402   | Panneau de clôture de côté C.G.          |
| 152 |    | 199535     | Deflecteur                      | 350 |    | 445143      | Pince                                    |
| 159 |    | 17000612   | Vis 3/8-16 x 3/4                | 363 |    | 580724501   | Chapeau                                  |
| 162 |    | 142432     | Vis 1/4 x 1/2                   | 364 |    | 17060408    | Vis                                      |
| 175 |    | 196304     | Pièce d'entretoisement          | --  |    | 404951X428  | Bouchon du Tableau de bord               |
| 176 |    | 400776     | Vis 10-24 x 5/8                 |     |    |             |  |
| 177 |    | 195228     | Coussinet                       |     |    |             |  |
| 180 |    | 415063     | Châssis                         |     |    |             |  |
| 181 |    | 193102X428 | Coussinet                       |     |    |             |  |
| 182 |    | 586738602  | Tableau de bord                 |     |    |             |  |
| 183 |    | 74520520   | Boulon 5/16-18 x 1-1/4          |     |    |             |  |

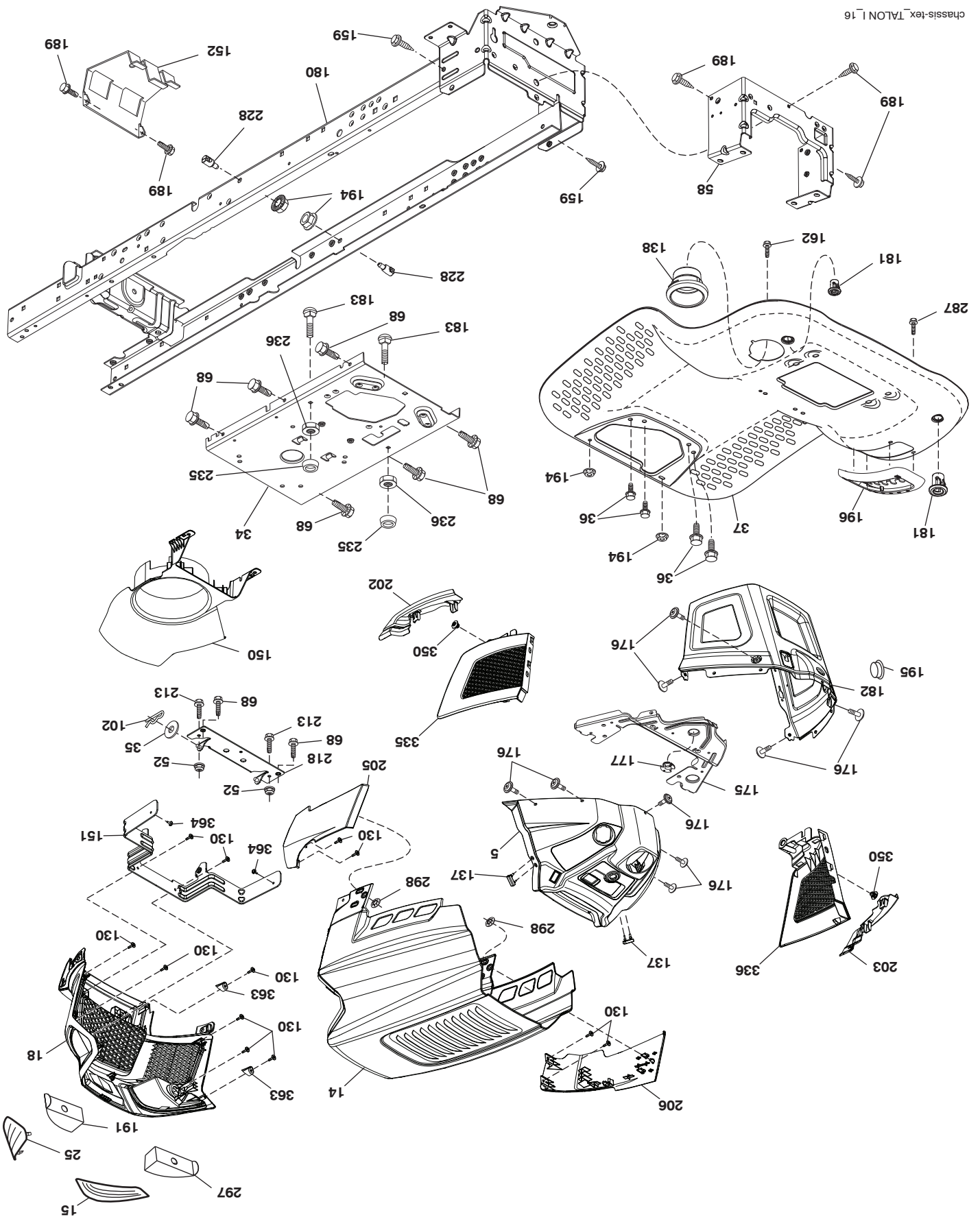
**REMARQUE:** Toutes les dimensions de composant sont données en pouces E.-U. -- 1 pouce = 25,4 mm.

**TRACTEUR - - NUMÉRO DE MODÈLE 944.604230**

**CHÂSSIS/ENCEINTES**

chassis-tex TALON 116

6



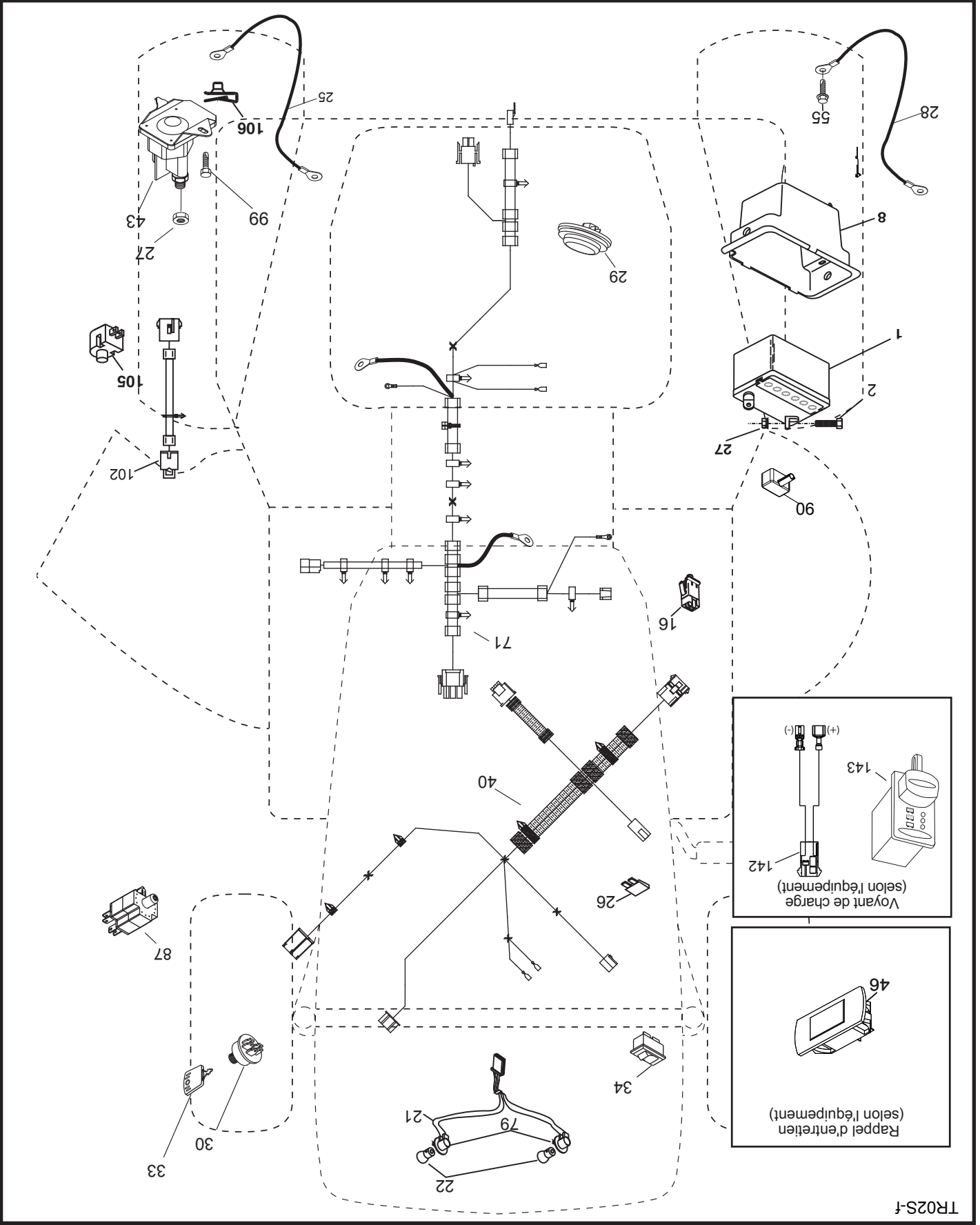
| NO.<br>DE<br>PIÈCE | RÉF.      | DESCRIPTION   |
|--------------------|-----------|---|
| 1                  | 163465    | Batterie  |
| 2                  | 74760412  | Boulon 1/4-20 unc x 3/4                             |
| 8                  | 193228    | Bac de batterie                                     |
| 16                 | 176138    | Interrupteur  |
| 21                 | 400252    | Harnais de prise de courant d'ampoule 4152J         |
| 22                 | 4152J     | Ampoule   |
| 25                 | 581498001 | Cable 6 Ja. 14.5"                                   |
| 26                 | 175158    | Fusible   |
| 27                 | 73510400  | Ecrou 1/4-20 unc                                    |
| 28                 | 421686    | Câble   |
| 29                 | 401545    | Interrupteur de siège                               |
| 30                 | 193350    | Interrupteur d'allumage                             |
| 33                 | 411934    | Cle/Chaine  |
| 34                 | 110712X   | Interrupteur des phares                             |
| 40                 | 401098    | Harnais (si équipé avec solénoïde avant)            |
| --                 | 581023101 | Harnais (si équipé avec solénoïde arrière)          |
| 43                 | 192507    | Solénoïde   |
| 55                 | 17060512  | Vis 5/16-18 x 3/4                                   |
| 71                 | 400449    | Harnais (si équipé avec solénoïde avant)            |
| --                 | 581023001 | Harnais (si équipé avec solénoïde arrière)          |
| 79                 | 175242    | Prise de courant d'ampoule                          |
| 87                 | 197802    | Interrupteur de verrouillage de câble d'embranchage |
| 90                 | 435395    | Couvercle du borne de batterie                      |
| 99                 | 17670412  | Vis 1/4-20 unc                                      |
| 102                | 581901601 | Harnais de fil                                      |
| 105                | 407568    | Commutez, renversez                                 |
| 106                | 174814    | Ecrou 1/4   |

**REMARQUE:** Toutes les dimensions de composant sont données en pouces E.-U. -- 1 pouce = 25,4 mm

TRACTEUR - - NUMÉRO DE MODÈLE 944.604230

ELECTRIQUE

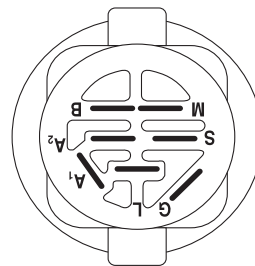
TR02S-f



TRACTEUR - - NUMÉRO DE MODÈLE 944.604230

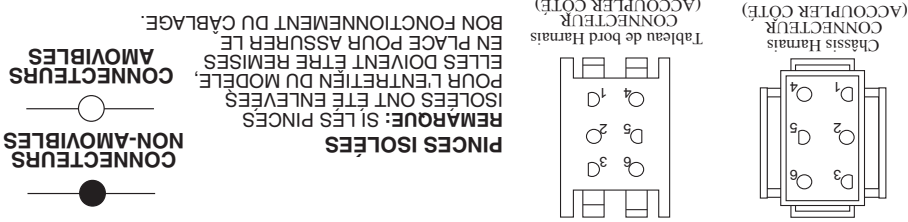
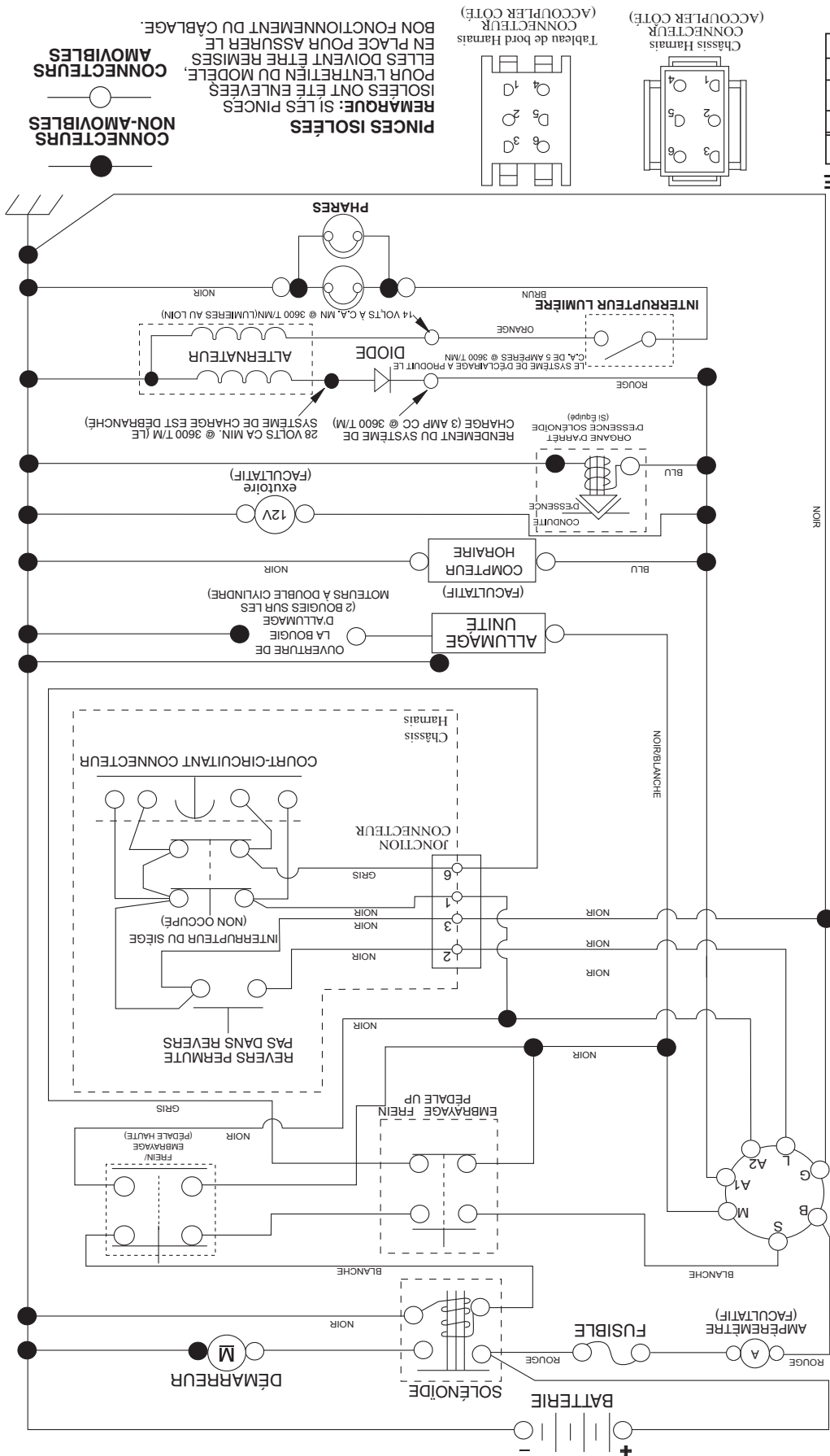
CONTACTEUR D'ALLUMAGE

| POSITION         | CIRCUIT "FAITS" |
|------------------|-----------------|
| ARRÊT            | M + G + A1      |
| MARCHE/ ALLUMAGE | B + A1          |
| MARCHE           | B + A1          |
| DÉMARRAGE        | B + S + A1      |



**REMARQUE**  
 VOTRE TRACTEUR EST ÉQUIPÉ D'UN SYSTÈME D'ALTERNATEUR SPÉCIAL AU LIEU D'ÊTRE BRANCHÉS SUR LA BATTERIE. LES PHARES DISPOSENT DE LEUR PROPRE SOURCE D'ÉNERGIE ÉLECTRIQUE. DONC LA BRILLANCE DES PHARES CHANGERA EN FONCTION DE LA VITESSE DU MOTEUR. AU RALENTI, LA BRILLANCE DES PHARES BAISSERA. QUAND LE MOTEUR EST ACCÉLÉRÉ, LA BRILLANCE ATTEINDRA SON MAXIMUM.

NOIR



**PINCES ISOLÉES**  
 REMARQUE: SI LES PINCES ISOLÉES ONT ÉTÉ ENLEVÉES, ELLES DOIVENT ÊTRE REMISES POUR L'ENTRETIEN DU MODÈLE. EN PLACE POUR ASSURER LE BON FONCTIONNEMENT DU CÂBLAGE.



# COMMENT UTILISER CE MANUEL

Ce manuel a été dessiné pour fournir le client avec les moyens d'identification des pièces de détails du tracteur quand il/elle a besoin de commander les pièces de rechange. Les illustrations ne peuvent pas représenter exactement le modèle que vous avez acheté. N'utilisez pas ce manuel comme un guide dans le montage et/ou démontage de votre tracteur. La visserie montrée est plus grande pour faciliter l'identification.

Chaque tracteur a un numéro de modèle particulier.

Le numéro de modèle du produit se trouvera sur l'aile, dessous le siège.

Lorsque vous commandez des pièces de rechange, donnez toujours les renseignements suivants:

- Produit - "TRACTEUR"
- NUMÉRO DU MODÈLE - "944.604230"
- Numéro de la Pièce
- Description de la Pièce

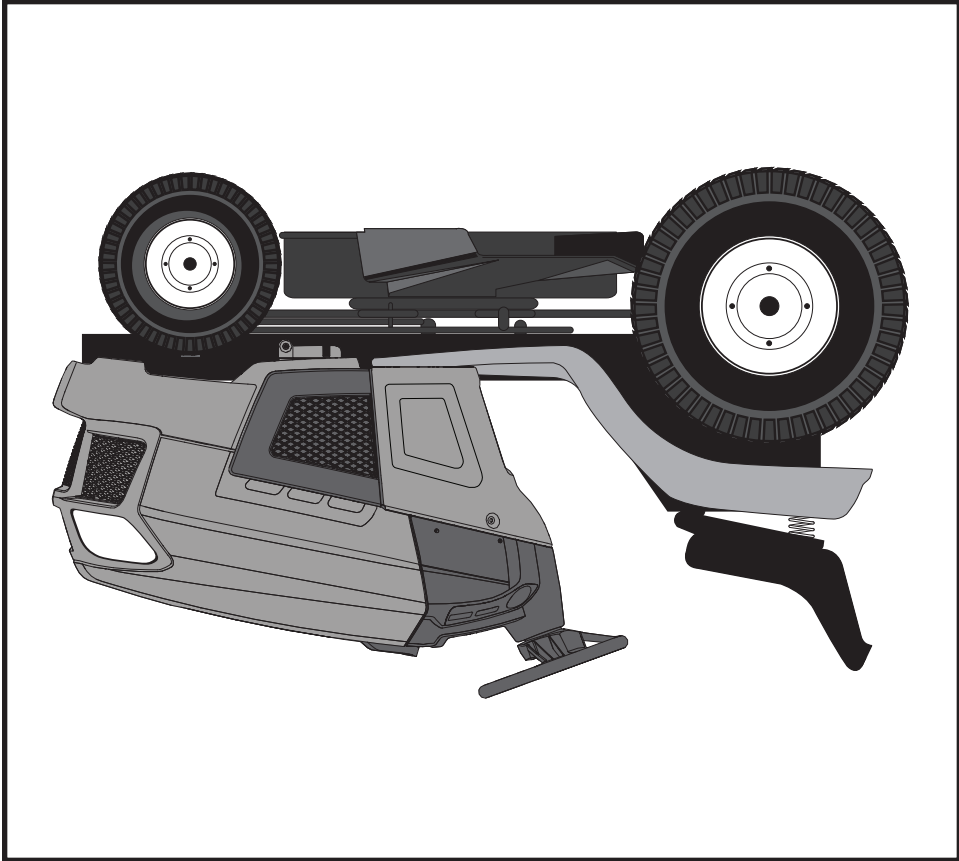
## TABLE DE MATIERES

|                                 |       |
|---------------------------------|-------|
| SCHEMA.....                     | 3     |
| ELECTRIQUE.....                 | 4-5   |
| CHÂSSIS/ENCEINTES.....          | 6-7   |
| ENTRAÎNEMENT.....               | 8-9   |
| MOTEUR.....                     | 10-11 |
| ENSEMBLE DE LA DIRECTION.....   | 12-13 |
| ENSEMBLE DU SIÈGE.....          | 17    |
| CARTER DE TONDEUSE.....         | 14-15 |
| LEVAGE DE LA TONDEUSE.....      | 16    |
| ENSEMBLE DU SIÈGE.....          | 17    |
| DÉCALCOMANIES.....              | 18    |
| VOYEZ LES DÉTAILS DE MOTOR..... | 20-23 |
| ENTRETIEN DE "SEARS".....       | 24    |

Sears Canada, Inc., Toronto, Ontario M5B 2B8

\* La puissance nominale indiquée par le fabricant du moteur est la puissance brute moyenne (à un régime en tr/min spécifique) d'un moteur de production type pour le modèle de moteur mesuré selon les normes SAE pour la puissance brute du moteur. Se reporter au fabricant du moteur pour tous les détails.

**19.0 C.V.\***  
**DÉMARRAGE ÉLECTRIQUE**  
**TONDEUSE DE 107 CM (42 PO.)**  
**AUTOMATIQUE**  
**TRACTEUR DE PELOUSE**



**IMPORTANT:**  
Lisez et suivez le  
mode d'emploi et  
toutes les règles  
de sécurité avant  
d'utiliser cet  
équipement

**NUMÉRO DE  
MODÈLE**  
944.604230

**SEARS**  
MANUEL DES  
PIÈCES DE  
RECHANGE