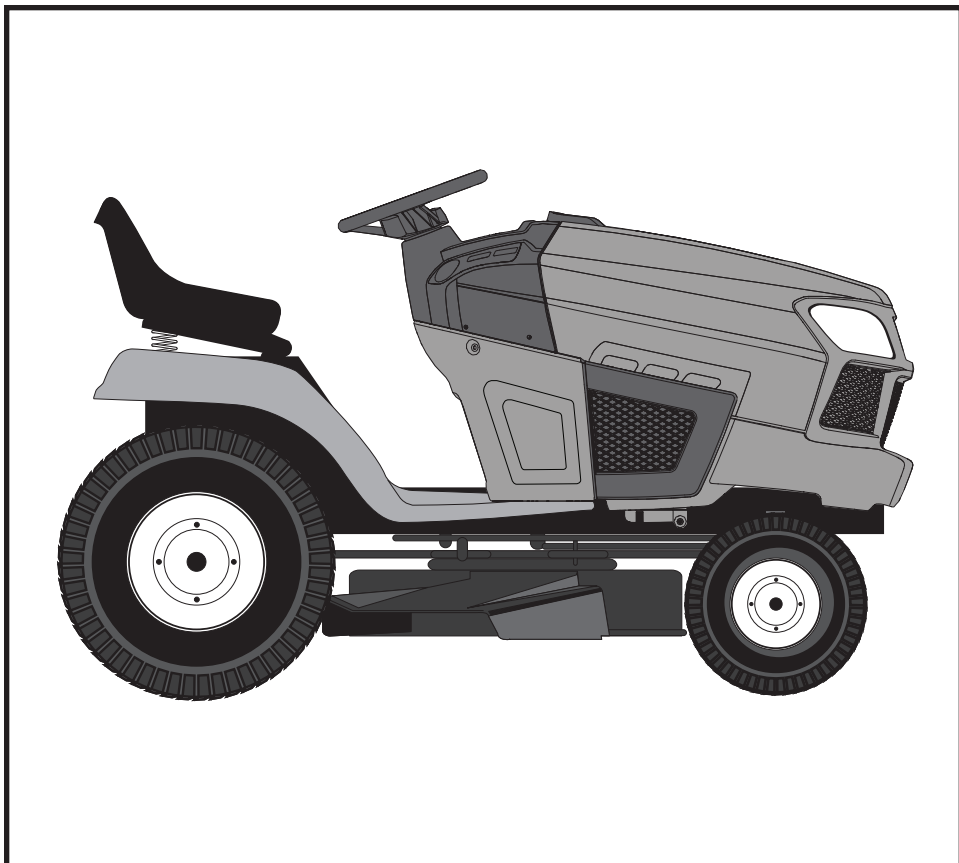


SEARS
REPAIR
PARTS
MANUAL

**MODEL NO.
944.604390**

**IMPORTANT:
Read and follow
all Safety Rules
and Instructions
Before Operating
This Equipment**



CRAFTSMAN®

**24.0 HP*
ELECTRIC START
48" MOWER
AUTOMATIC TRANSMISSION
LAWN TRACTOR**

* The power rating as declared by the engine manufacturer is the average gross power output at the specified RPM of a typical production engine for the engine model measured using SAE Standards for engine gross power. Please refer to the engine manufacturer for details.

Sears Canada, Inc., Toronto, Ontario M5B 2B8

587756224 Rev. 9

11.09.15 BD/TH
Printed in the U.S.A.

HOW TO USE THIS MANUAL

This manual is designed to provide the customer with a means to identify the parts on his/her tractor when ordering repair parts. The illustrations may or may not represent the actual assemblies; therefore, it is not recommended to use this manual as a guide to assemble or disassemble the tractor. Some hardware and parts are drawn larger in order to more readily identify them.

Each tractor has its own model number.

The model number for your tractor can be found on the fender under the seat.

When ordering parts, always give the following information:

- Product - "Tractor"
- MODEL NUMBER - "944.604390"
- Part Number
- Part Description

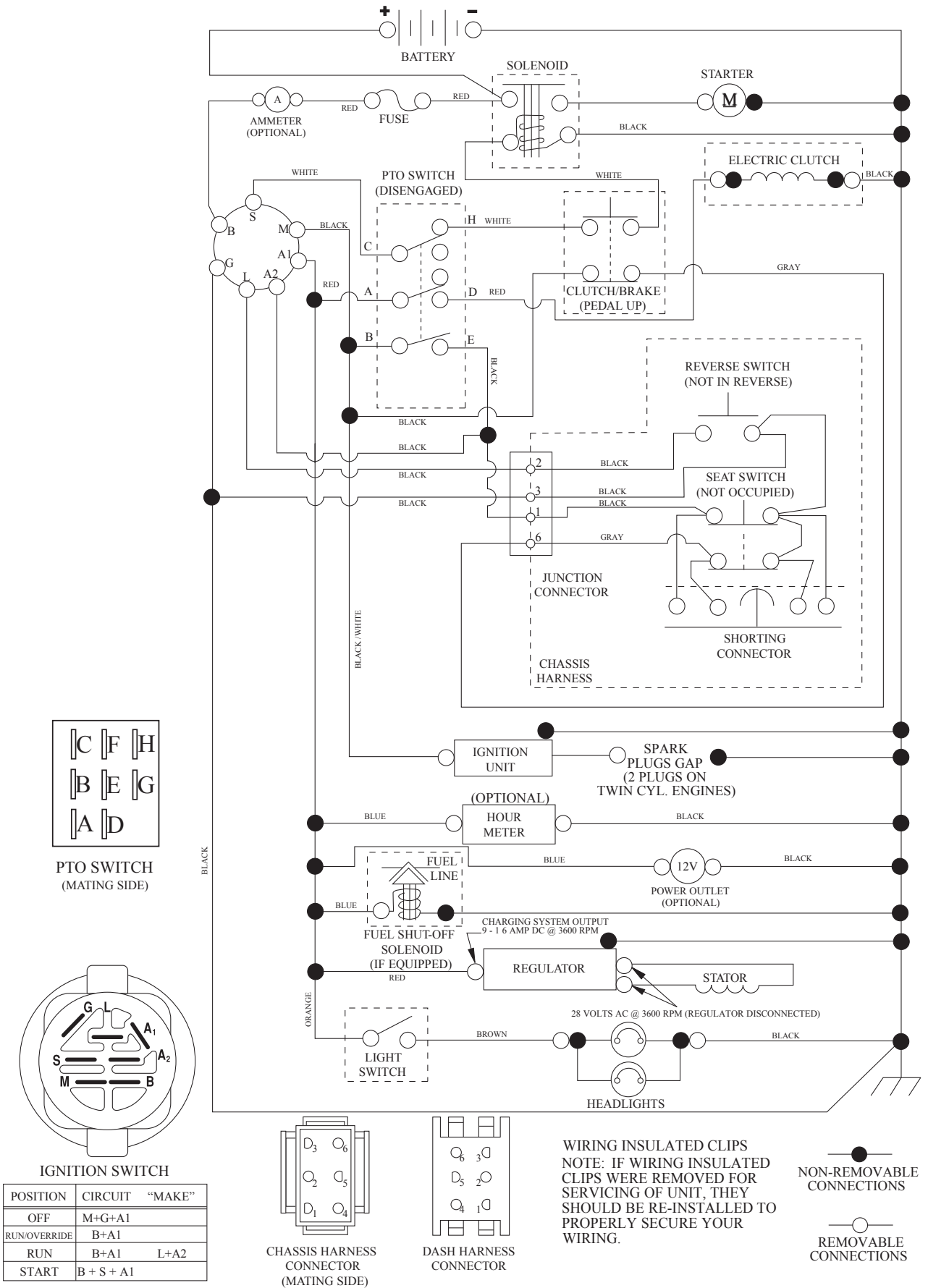
TABLE OF CONTENTS

| | |
|---------------------------|-------|
| SCHEMATIC | 3 |
| ELECTRICAL..... | 4-5 |
| CHASSIS..... | 6-7 |
| DRIVE..... | 8-9 |
| ENGINE..... | 10-11 |
| STEERING | 12-13 |
| MOWER DECK | 14-15 |
| MOWER LIFT..... | 16 |
| SEAT | 17 |
| DECALS..... | 18 |
| ENGINE BREAKDOWN..... | 19-23 |
| TRANSAXLE BREAKDOWN | 24-25 |
| WARRANTY..... | 26 |
| SEARS SERVICE | 28 |

TRACTOR - - MODEL NUMBER 944.604390

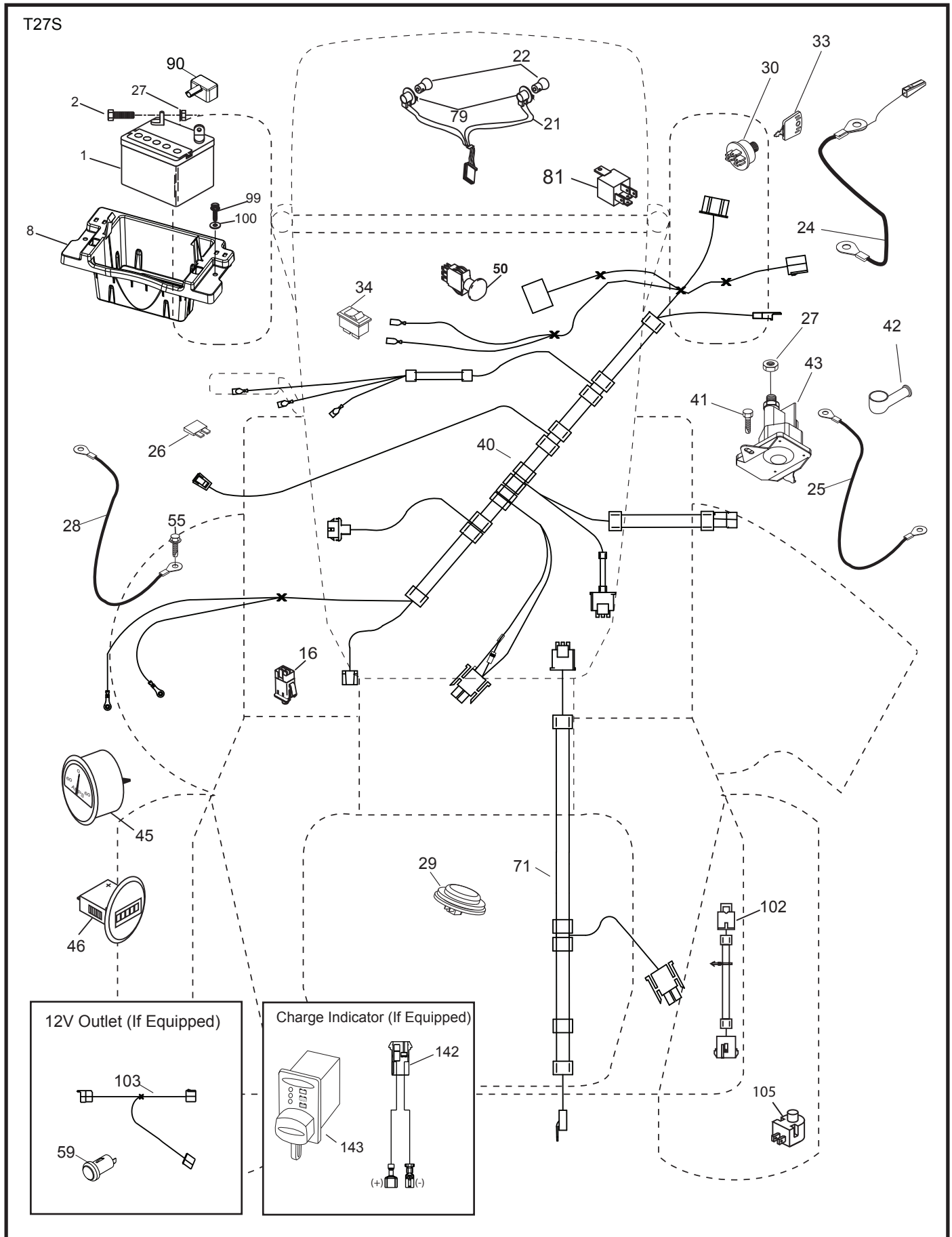
SCHEMATIC

SCH12



TRACTOR - - MODEL NUMBER 944.604390

ELECTRICAL



TRACTOR - - MODEL NUMBER 944.604390

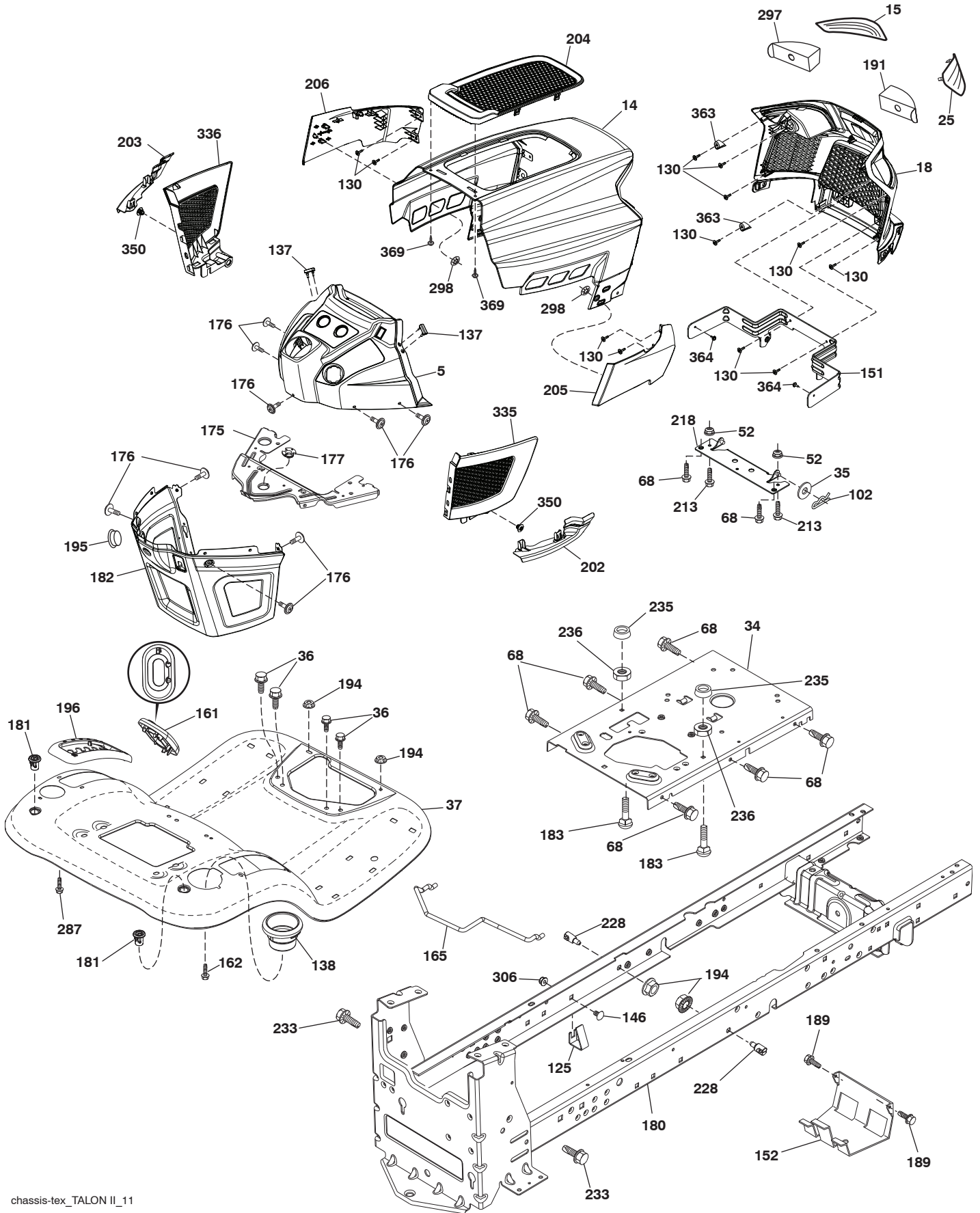
ELECTRICAL

| KEY NO. | PART NO. | DESCRIPTION |
|------------|-------------|------------------------------------|
| 1 | 163465 | Battery |
| 2 | 74760412 | Bolt Hex Hd 1/4-20 unc x 3/4 |
| 8 | 587205101 | Box Battery |
| 16 | 176138 | Switch Interlock Push-In |
| 21 | 400252 | Harness Socket Light w/4152J |
| 22 | 4152J | Bulb Light |
| 24 | 585555601 | Cable Btry. |
| 25 | 585555501 | Cable Starter |
| 26 | 175158 | Fuse |
| 27 | 73510400 | Nut Keps Hex 1/4-20 unc |
| 28 | 416588 | Cable, Ground |
| 29 | 401545 | Switch, Seat |
| 30 | 193350 | Switch, Ign |
| 33 | 411934 | Key/Chain |
| 34 | 110712X | Switch Light / Reset |
| 40 | 402167 | Harness Ign. Dash |
| 41 | 17720408 | Screw Thd Cut 1/4-20 x 1/2 |
| 42 | 131563 | Cover, Terminal |
| 43 | 192507 | Solenoid |
| 45 | 587553902 | Ammeter, Round |
| 46 | 587554002 | Gauge SRVCMNDR HRMTR |
| 50 | 174653 | Switch PTO |
| 55 | 17060512 | Screw Thdrol 5/16-18 x 3/4 TYTT |
| 71 | 194276 | Harness Ign. Chassis |
| 79 | 175242 | Bulbholder Asm. Incan Descent |
| 81 | 409615 | Relay Harness |
| 90 | 435395 | Cover Terminal Battery |
| 99 | 17670412 | Screw Hexwsh Thdrol 1/4-20 x 3/4 |
| 100 | 19091416 | Washer 9/32 x 7/8 16 Ga. |
| 102 | 404454 | Harness Pigtail Tex ROS Tuff Torq. |
| 105 | 407568 | Switch Reverse |

NOTE: All component dimensions given in U.S. inches
1 inch = 25.4 mm

TRACTOR - - MODEL NUMBER 944.604390

CHASSIS



TRACTOR - - MODEL NUMBER 944.604390

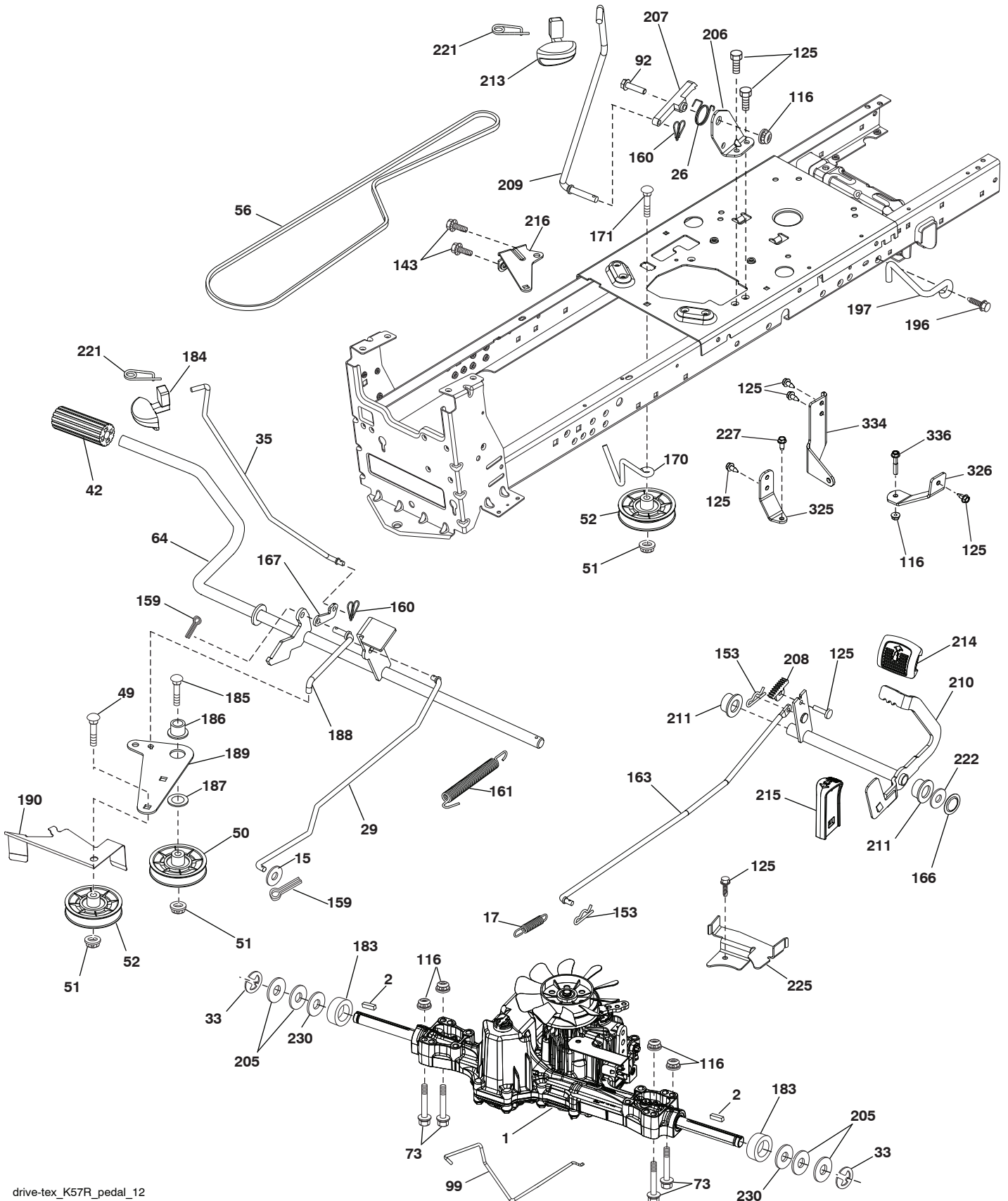
CHASSIS

| KEY PART NO. NO. | DESCRIPTION | KEY PART NO. NO. | DESCRIPTION | | |
|---------------------|-------------|-------------------------------|-------------|------------|------------------------------------|
| 5 | 580485811 | Dash | 191 | 580485101 | Mylar Headlight/Reflective Lens RH |
| 14 | 580354407 | Hood | 194 | 73900500 | Nut Lock Hex Flange 5/16-18 |
| 15 | 580485601 | Lens LH | 195 | 401556X428 | Plug Hole Dash 12V Adapter |
| 18 | 580485303 | Grille | 196 | 431659 | Console Asm. Deck Lift |
| 25 | 580484501 | Lens RH | 202 | 580485002 | C-Closeout Lwr Trm RH |
| 34 | 580910801 | Plate engine | 203 | 580484802 | C-Closeout Lwr Trm LH |
| 35 | 19111116 | Washer 11/32 x 11/16 x 16 Ga. | 204 | 580485002 | Hood Top Vent |
| 36 | 17060512 | Screw 5/16-18 x 3/4 | 205 | 580843707 | Assembly Corner RH |
| 37 | 414878X428 | Fender | 206 | 580843807 | Assembly Corner LH |
| 52 | 73680500 | Nut Crown lock 5/16-18 | 213 | 74760512 | Bolt hex HD 5/16-18 unc x 3/4 |
| 68 | 17490508 | Screw Thdrol 5/16-18 x 1/2 | 218 | 580897301 | Pivot Hood Assy |
| 102 | 4497H | Retainer Spring 1" | 228 | 195161 | Stud Fastener |
| 125 | 581684801 | Clip Fuel Line | 233 | 196539 | Bolt Shoulder |
| 130 | 416358 | Screw # 10 x .750 BOS Thread | 235 | 406129 | Spacer Fender |
| 137 | 407590 | Bumper Dash | 236 | 73930500 | Nut Center Lock 5/16-18 |
| 138 | 193224X428 | Cupholder | 287 | 17600406 | Screw Hex Washhead 1/4 - 20 x 3/8 |
| 146 | 581857901 | Bolt | 297 | 580484901 | Mylar Headlight/Reflective Lens LH |
| 151 | 580663302 | Bracket Pivot | 298 | 580851001 | Nut Push |
| 152 | 199535 | Shield Browning/Debris | 306 | 73900600 | Nut Lock |
| 161 | 193229X428 | Window Fuel | 335 | 580484602 | C-Side Closeout RH |
| 162 | 142432 | Screw Hex Wsh Hi-Lo 1/4 x 1/2 | 336 | 580484402 | C-Side Closeout LH |
| 165 | 196826 | Support Tank Rear | 350 | 445143 | Clip X-Mass Tree |
| 175 | 196304 | Crossmember | 363 | 580724501 | Cap Talon Grille |
| 176 | 400776 | Screw 10-24 x 5/8 Wshd Qdrx | 364 | 17060408 | Screw |
| 177 | 195228 | Bushing Steering | 369 | 421756 | Screw #10 x 0.500 BOS Thread |
| 180 | 195457 | Chassis | -- | 421264 | Brush Guard |
| 181 | 193102X428 | Bushing Mtg. Fender Crgo. | | | |
| 182 | 406859 | Dash Lower | | | |
| 183 | 74520520 | Bolt 5/16-18 x 1-1/4 | | | |
| 189 | 17000512 | Screw 5/16-18 x 3/4 | | | |

NOTE: All component dimensions given in U.S. inches
1 inch = 25.4 mm

TRACTOR - - MODEL NUMBER 944.604390

DRIVE



drive-tex_K57R_pedal_12

TRACTOR - - MODEL NUMBER 944.604390

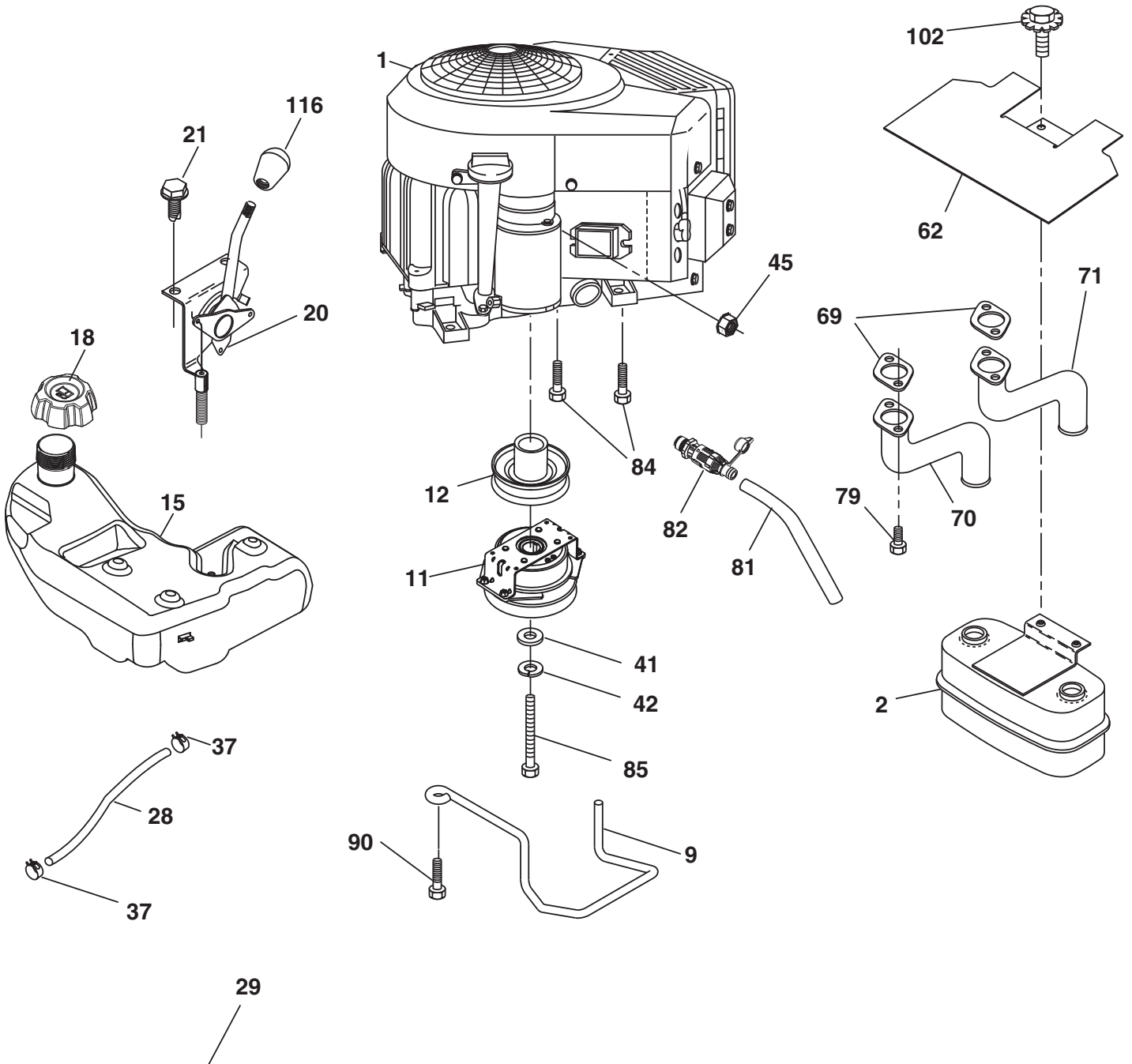
DRIVE

| KEY NO. | PART NO. | DESCRIPTION | KEY NO. | PART NO. | DESCRIPTION |
|------------|-------------|-----------------------------------------------------------------|------------|-------------|-------------------------------|
| 1 | - - - - | Transaxle, Tufftorq K57R (437814) (See Transaxle Breakdown.) | 184 | 196439X428 | Handle Parking Brake |
| 2 | 123583X | Key | 185 | 72110622 | Bolt |
| 15 | 19131316 | Washer 13/32 x 13/16 x 16 Ga. | 186 | 194321 | Spacer Retainer |
| 17 | 413678 | Spring, Brake | 187 | 19133210 | Washer |
| 26 | 199679 | Spring Return Cruise | 188 | 194323 | Link Clutch Ground Drive |
| 29 | 403806 | Rod, Brake | 189 | 194317 | Bellcrank Ground Drive |
| 33 | 12000001 | Ring E | 190 | 194318 | Keeper Bellcrank Ground Drive |
| 35 | 583864501 | Rod, Brake, Park | 196 | 17000616 | Screw 3/8-16 x 1 |
| 42 | 8883R | Cover, Foot Pedal | 197 | 585658601 | Link Clutch Anti-Rotation |
| 49 | 72110614 | Bolt | 205 | 121748X | Washer |
| 50 | 194327 | Pulley Idler Flat | 206 | 448596 | Bracket Mount Latch Cruise |
| 51 | 73900600 | Lock Nut 3/8-16 | 207 | 197868 | Latch Control Cruise |
| 52 | 194326 | Idler V-Groove | 208 | 197869 | Bolt Sector Control Cruise |
| 56 | 130969 | V-Belt, Drive | 209 | 199592 | Rod Control Cruise |
| 64 | 197865 | Shaft Asm. Pedal Brake Control | 210 | 400980 | Rocker Asm. Pedal Control |
| 73 | 74490540 | Bolt 5/16-18 x 2-1/2 Gr. 5 | 211 | 120183X | Bearing, Nylon |
| 92 | 74760520 | Bolt Fin. Hex 5/16-18 unc x 1.25 | 213 | 196441X428 | Knob Control Cruise |
| 99 | 415742 | Rod Asm. Bypass | 214 | 421263 | Pedal Forward |
| 116 | 73900500 | Nut Lock Hex Flange 5/16-18 | 215 | 197301X428 | Pedal Reverse |
| 125 | 17000512 | Screw 5/16-18 x 3/4 | 216 | 196131 | Bracket Pulley Idler |
| 143 | 17490508 | Screw 5/16-18 x 1/2 | 221 | 403187 | Retainer Spring Clip Handle |
| 153 | 4497H | Retainer Spring | 222 | 79212010 | Washer |
| 159 | 76020412 | Pin Cotter 1/8 x 3/4 | 225 | 403319 | Keeper Belt Transaxle |
| 160 | 169484 | Retainer Clip | 230 | 188967 | Washer Harden |
| 161 | 105709x | Spring, Return, Clutch | 325 | 585668502 | Bracket |
| 163 | 448275 | Rod Pedal Control | 326 | 585670802 | Bracket |
| 166 | 429164 | Nut, Push | 334 | 585882202 | Bracket |
| 167 | 405257 | Latch Brake Parking | 336 | 587259601 | Bolt |
| 170 | 194322 | Keeper Belt Centerspan | | | |
| 171 | 72110616 | Bolt 3/8-16 unc | | | |
| 183 | 137057 | Spacer Axle | | | |

NOTE: All component dimensions given in U.S. inches
1 inch = 25.4 mm

TRACTOR - - MODEL NUMBER 944.604390

ENGINE



SPARK ARRESTER KIT

engine-tex_bs-2cyl_122_r1

TRACTOR - - MODEL NUMBER 944.604390

ENGINE

| KEY NO. | PART NO. | DESCRIPTION |
|---------|------------|-------------------------------------------------------------------------------|
| 1 | - - - - | Engine B&S Model No. 44S877-0013-G1 (586190701) (See Engine Breakdown.) |
| 2 | 149723 | Muffler |
| 9 | 584908001 | Keeper Belt Engine |
| 11 | 587241601 | Clutch Electric |
| 12 | 405097 | Pulley Engine |
| 15 | 438080 | Tank Fuel 3.0 |
| 18 | 430214 | Cap Asm Fuel |
| 20 | 586219601 | Control Throttle/Choke |
| 21 | 416358 | Screw 10 x .750 BOS Thread |
| 28 | 401135 | Fuel Line |
| 29 | 137180 | Spark Arrester Kit |
| 37 | 123487X | Clamp Hose |
| 41 | 126197X | Washer 1-1/2 OD x 15/32 ID x .250 |
| 42 | 10040700 | Washer Lock 7/16 |
| 45 | 73510400 | Nut Keps Hex 1/4-20 unc |
| 62 | 434017 | Shield Heat Muffler |
| 69 | 165391 | Gasket |
| 70 | 581881101 | Tube Exhaust LH |
| 71 | 581881001 | Tube Exhaust RH |
| 79 | 183906 | Screw 5/16-18 x 3/4 |
| 81 | 148456 | Tube Drain Oil Easy |
| 82 | 428287 | Valve Drain Oil |
| 84 | 17060620 | Screw 3/8-16 x 1 |
| 85 | 179953 | Bolt Hex 7/16-20 x 3.75 Gr |
| 90 | 17000616 | Screw 3/8-16 x 1 |
| 102 | 17000512 | Screw 5/16-18 x 3/4 |
| 116 | 423109X421 | Knob Oval Tapered 3/8-16 |

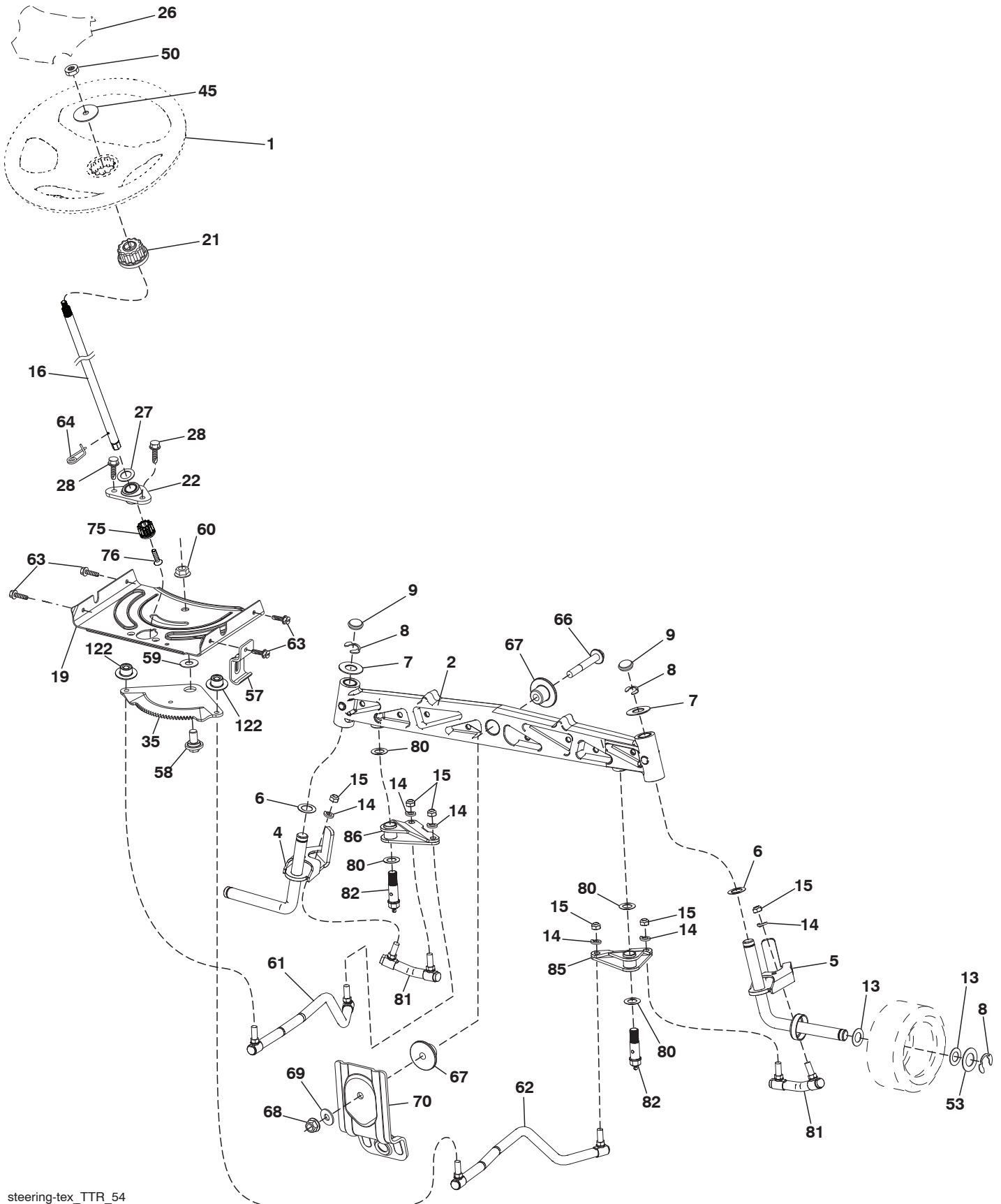
NOTE: All component dimensions given in U.S. inches
1 inch = 25.4 mm

Engine Power Rating Information

The gross power rating for individual gas engine models is labeled in accordance with SAE (Society of Automotive Engineers) code J1940 (Small Engine Power & Torque Rating Procedure), and rating performance has been obtained and corrected in accordance with SAE J1995 (Revision 2002-05). Torque values are derived at 3060 RPM; horsepower values are derived at 3600 RPM. Actual gross engine power will be lower and is affected by, among other things, ambient operating conditions and engine-to-engine variability. Given both the wide array of products on which engines are placed and the variety of environmental issues applicable to operating the equipment, the gas engine will not develop the rated gross power when used in a given piece of power equipment (actual "on-site" or net power). This difference is due to a variety of factors including, but not limited to, accessories (air cleaner, exhaust, charging, cooling, carburetor, fuel pump, etc.), application limitations, ambient operating conditions (temperature, humidity, altitude), and engine-to-engine variability. Due to manufacturing and capacity limitations, Briggs & Stratton may substitute an engine of higher rated power for this Series engine.

TRACTOR - - MODEL NUMBER 944.604390

STEERING ASSEMBLY



steering-tex_TTR_54

TRACTOR - - MODEL NUMBER 944.604390

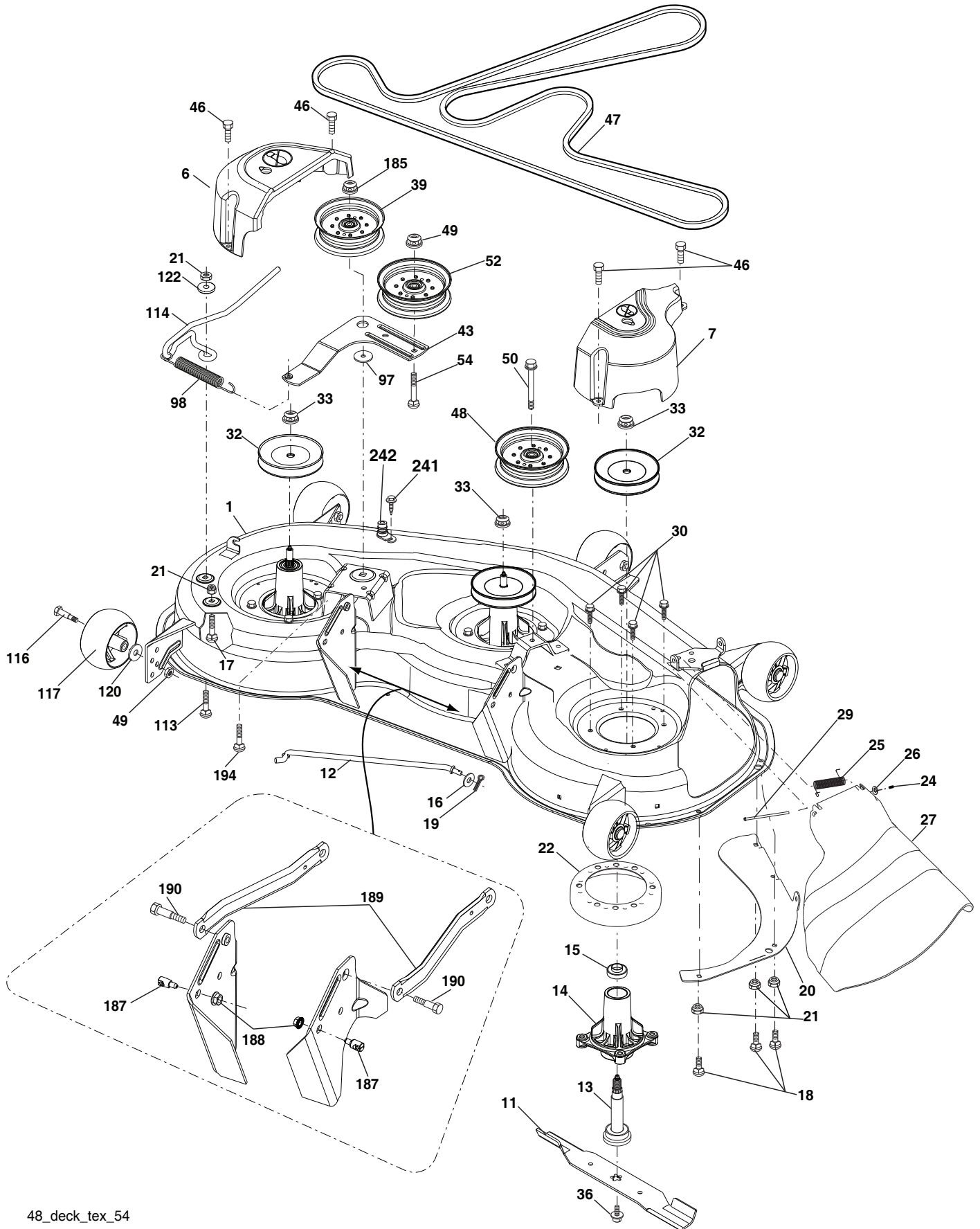
STEERING ASSEMBLY

| KEY NO. | PART NO. | DESCRIPTION |
|------------|-------------|-------------------------------------|
| 1 | 414851X421 | Wheel, Steering |
| 2 | 436870 | Axle Asm., Front |
| 4 | 436873 | Spindle Asm., LH |
| 5 | 436874 | Spindle Asm., RH |
| 6 | 6266H | Washer Thrust 0.75 x 1.23 |
| 7 | 121748X | Washer 25/32 x 1-5/8 x 16 Ga. |
| 8 | 12000029 | Ring, Clip #T5304-75 |
| 9 | 184946X667 | Cap, Spindle |
| 13 | 121749X | Washer 25/32 x 1-1/4 x 16 Ga. |
| 14 | 10040600 | Washer Lock 3/8 |
| 15 | 73540600 | Nut, Crown Lock 3/8-24 unf |
| 16 | 587016002 | Shaft Steering |
| 19 | 194729 | Plate Steering |
| 21 | 586840201 | Adapter, Wheel Steering Splnd Alum |
| 22 | 585029901 | Bearing Subasm Shaft Steer Low |
| 26 | 414852X421 | Insert, Wheel Steering |
| 27 | 19211616 | Washer 21/32 x 1 x 16 Ga. |
| 28 | 17000612 | Screw 3/8-16 x 3/4 |
| 35 | 440770 | Gear, Sector Plate |
| 45 | 587016401 | Washer 3/8 ID 2-3/8OD 12 Ga. PLTD |
| 50 | 73900600 | Nut Lock Fig. 3/8-16 unc |
| 53 | 188967 | Washer Hardened .793 x 1.637 x .060 |
| 57 | 197246 | Bracket Upstop |
| 58 | 194747 | Bolt Shoulder Sector Pivot CFM |
| 59 | 194748 | Washer Thrust Sector Steering |
| 60 | 73971000 | Nut Flange Lock 5/8-11 |
| 61 | 436884 | Draglink, LH |
| 62 | 436885 | Draglink, RH |
| 63 | 17000512 | Screw 5/16-18 x 3/4 |
| 64 | 199849 | Retainer Clip Spring Steering |
| 66 | 71020748 | Bolt Hex Fghd 7/16-14 x 3 Serr |
| 67 | 194737 | Bushing PM Front Axle |
| 68 | 73900700 | Nut Lock Flange 7/16-14 Gr. 5 |
| 69 | 199162 | Washer 1.5 x .505 x .118 |
| 70 | 196197 | Bracket Deck Susp. Front |
| 75 | 580683701 | Pinion |
| 76 | 580683601 | Screw Head Sock |
| 80 | 1370H | Washer |
| 81 | 436887 | Link Cross RH |
| 82 | 442147 | Pivot Bolt |
| 85 | 441873 | Pivot RH |
| 86 | 441872 | Pivot LH |
| 122 | 444962 | Cap Gear Sector |

NOTE: All component dimensions given in U.S. inches
1 inch = 25.4 mm

TRACTOR - - MODEL NUMBER 944.604390

MOWER DECK



TRACTOR - - MODEL NUMBER 944.604390

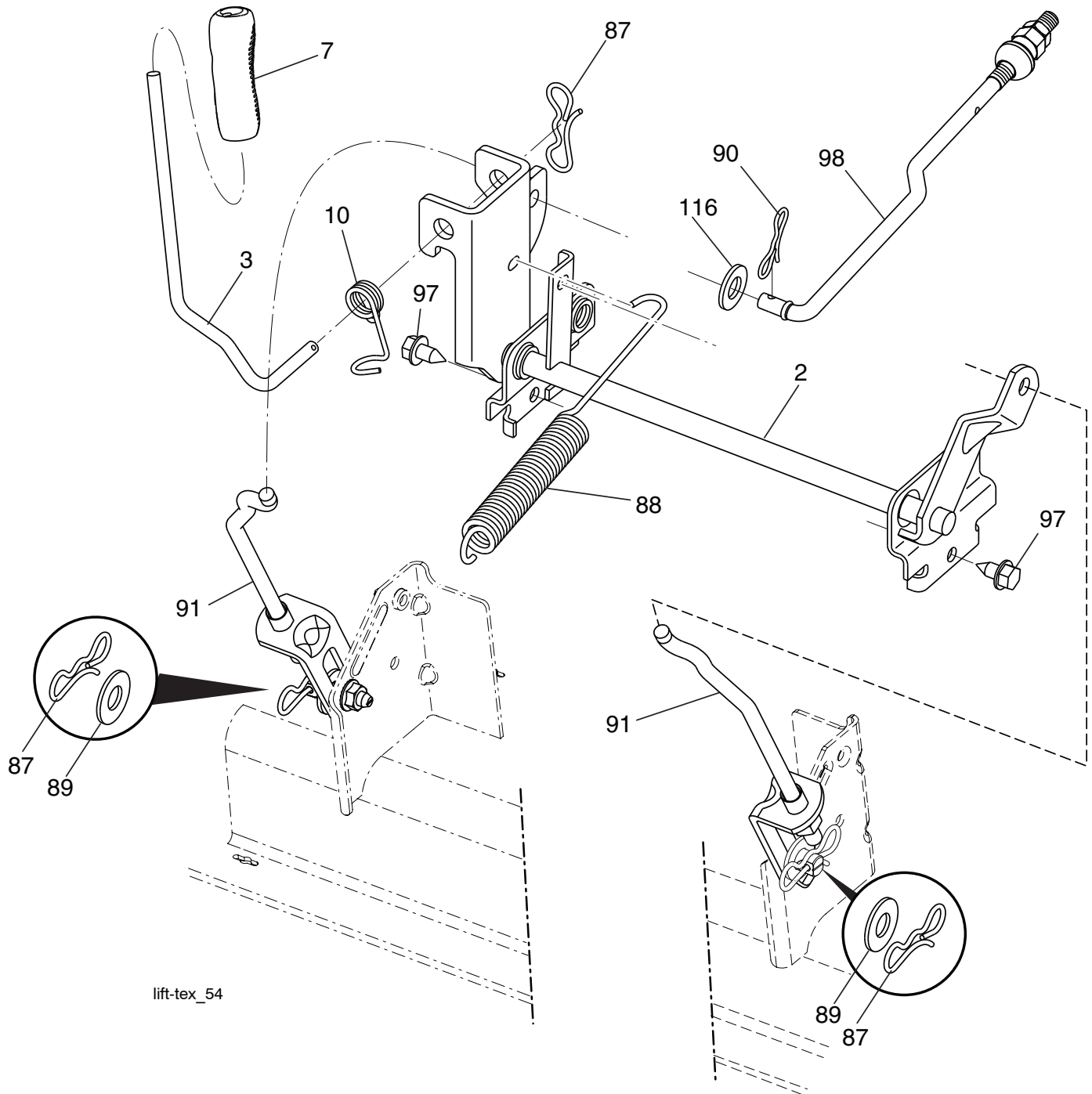
MOWER DECK

| KEY PART NO. NO. | DESCRIPTION | KEY PART NO. NO. | DESCRIPTION |
|---------------------|-------------------------------|---------------------|--------------------------------------------------------------------------------------------------------------------------------------------------------------------------|
| 1 197216X421 | Deck Weldment Mower | 50 17490636 | Screw TT 3/8-16 x 2-1/4 |
| 6 197248 | Cover Mandrel LH | 52 193197 | Pulley Idler |
| 7 587452401 | Cover Mandrel RH | 54 72110612 | Bolt Carr. Sh 3/8-16 x 1-1/2 Gr. 5 |
| 11 180054 | Blade High Lift | 97 178515 | Washer Hardened |
| 12 404851 | Rod Anti Sway | 98 196105 | Spring Drive |
| 13 587256401 | Shaft Asm. | 113 72110508 | Bolt Rdhd Sqnk 5/16-18 x 3/4 |
| 14 187281 | Housing, Mandrel | 114 197451 | Rod Tension Relief |
| 15 585323901 | Bearing, Mandrel | 116 193406 | Bolt, Shoulder |
| 16 19131312 | Washer 13/32 x 13/16 x 12 Ga. | 117 174873 | Gauge Wheel |
| 17 72110505 | Bolt 5/16-18 x 5/8 | 120 19132012 | Washer 13/32 x 1-1/4 x 12 Ga. |
| 18 72140505 | Bolt RdHd 5/16-18 unc x 5/8 | 122 187557 | Bushing Tension Relief |
| 19 194208 | Pin Cotter 5/16 Bow Tie Lock | 185 73900700 | Nut Lock Flange 7/16-14 Gr. 5 |
| 20 174378 | Baffle Vortex | 187 195161 | Stud Fastener w/"D" Anti-Rotation |
| 21 73680500 | Nut, Crownlock 5/16-18 unc | 188 73900500 | Nut Lock Hex Flange |
| 22 174493 | Stripper Mandrel | 189 195185 | Arm Susp. Mower Rear |
| 24 105304X | Cap Sleeve | 190 196539 | Bolt Shoulder |
| 25 178102 | Spring, Torsion | 194 74490736 | Bolt Hex Washer Head |
| 26 110452X | Nut, Push | 241 152927 | Screw TT # 10-32.5. 3/8 Flange |
| 27 180655X428 | Deflector Shield | 242 415598 | Port Washout |
| 29 131491 | Rod, Hinge | -- 416405 | Coupling Connect |
| 30 173984 | Screw, Thdrol Washer Head | -- 587125401 | Mandrel Assembly (Includes housing (Key #14), shaft assembly (Key #13), and bearing (Key #15) only - pulley/ nut/washer and blade bolt/washers not included) |
| 32 153532 | Pulley, Mandrel | | |
| 33 400234 | Nut, Flg. Top Lock | | |
| 36 584309301 | Screw Sems 7/16-20 x 1 Hx Hd | | |
| 39 197380 | Pulley, Idler | | |
| 43 196065 | Arm, Idler | -- 429653 | Replacement Mower, Complete |
| 46 137729 | Screw, Thdrol 1/4-20 x 5/8 | | |
| 47 197242 | Belt Deck Drive | | |
| 48 197379 | Pulley Idler | | |
| 49 73900600 | Nut, Lock Flg. 3/8-16 unc | | |

NOTE: All component dimensions given in U.S. inches
1 inch = 25.4 mm

TRACTOR - - MODEL NUMBER 944.604390

MOWER LIFT



lift-tex_54

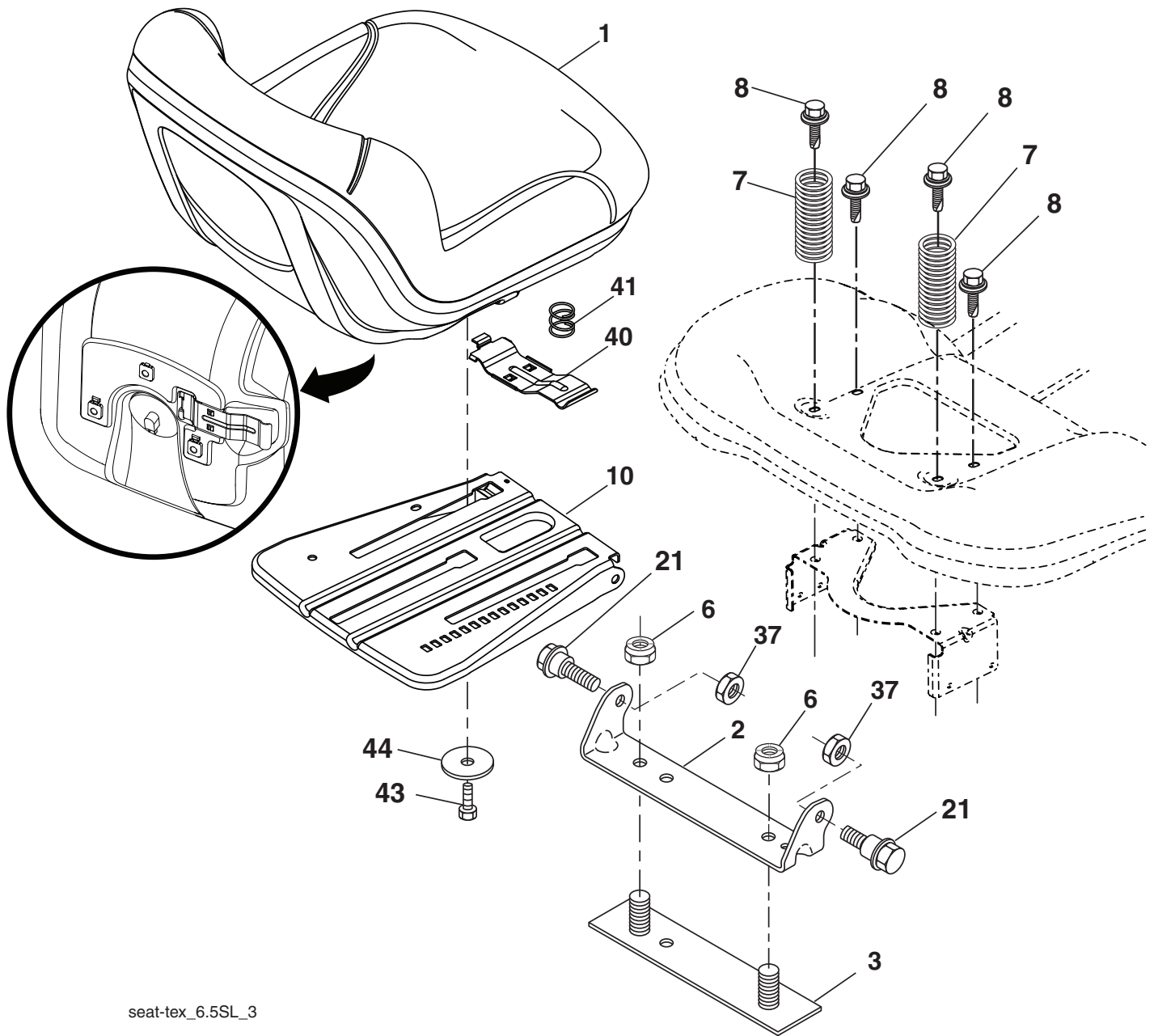
| KEY PART NO. | PART NO. | DESCRIPTION |
|--------------|------------|------------------------------|
| 2 | 422027 | Shaft Asm., Lift |
| 3 | 426896 | Lever Asm., Lift RH |
| 7 | 445060X421 | Grip, Lever |
| 10 | 196314 | Spring Torsion |
| 87 | 194209 | Pin Cotter 7/16 Bow Tie Lock |
| 88 | 410710 | Spring Lift Assist |
| 89 | 19191912 | Washer Clear Zinc |
| 90 | 194208 | Pin Cotter 5/16 Bow Tie Lock |

| KEY PART NO. | PART NO. | DESCRIPTION |
|--------------|----------|-------------------------------|
| 91 | 195181 | Link Lift Susp Mower Rear |
| 97 | 17000612 | Screw 3/8-16 x .75 |
| 98 | 195264 | Link Lift Susp. Front Mower |
| 116 | 19151516 | Washer 15/32 x 15/16 x 16 Ga. |

NOTE: All component dimensions given in U.S. inches
1 inch = 25.4 mm

TRACTOR -- MODEL NUMBER 944.604390

SEAT ASSEMBLY



seat-tex_6.5SL_3

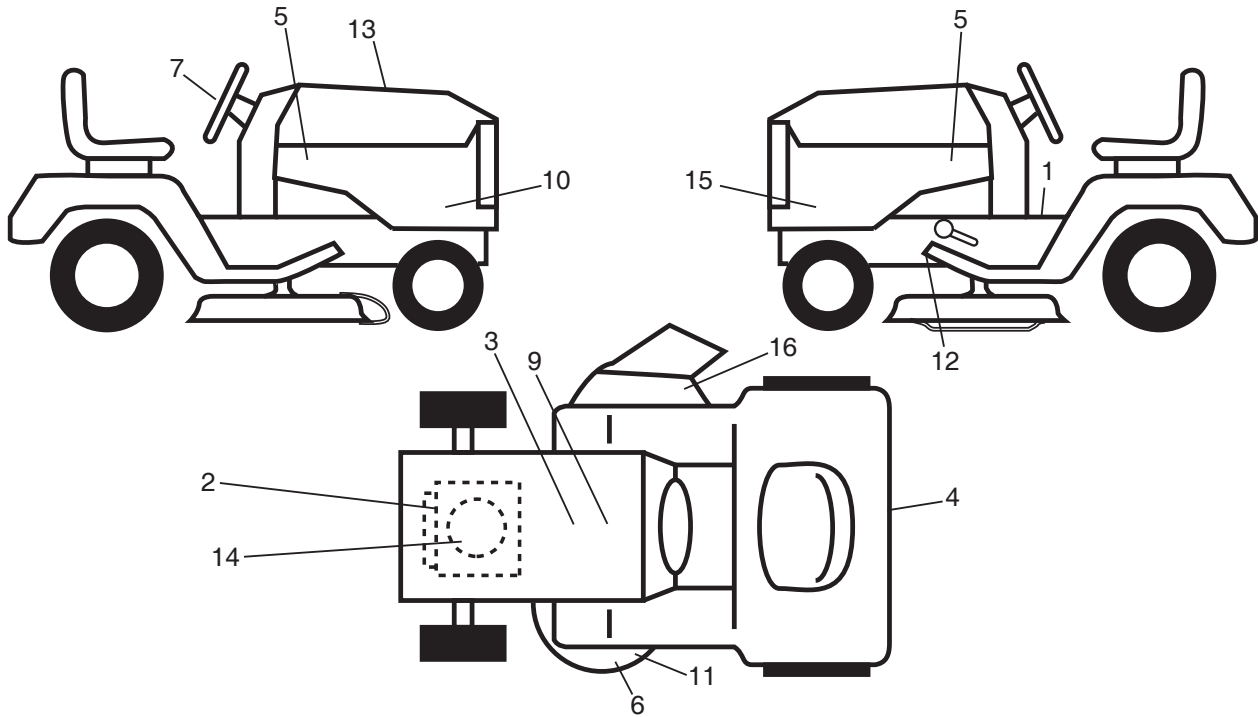
| KEY PART NO. | NO. | DESCRIPTION |
|--------------|-----------|-------------------------------|
| 1 | 586507701 | Seat |
| 2 | 180166 | Bracket Pivot Fender |
| 3 | 140675 | Strap, Asm Fender |
| 6 | 73800600 | Nut, Lock W/Ins. 3/8-16 unc |
| 7 | 124181X | Spring, Seat Cprsn |
| 8 | 171877 | Bolt 5/16-18 unc x 3/4 w/Sems |
| 10 | 196977 | Pan, Seat |
| 21 | 171852 | Bolt, Shoulder 5/16-18 |

| KEY PART NO. | NO. | DESCRIPTION |
|--------------|----------|-------------------------------|
| 37 | 73800500 | Nut, Lock 5/16-18 unc |
| 40 | 197661 | Handle Slide Seat |
| 41 | 198200 | Spring Latch Seat |
| 43 | 74760612 | Bolt 3/8-16 x 3/4 |
| 44 | 19133812 | Washer 13/32 x 2-3/8 x 12 Ga. |

NOTE: All component dimensions given in U.S. inches.
1 inch = 25.4 mm

TRACTOR - - MODEL NUMBER 944.604390

DECALS



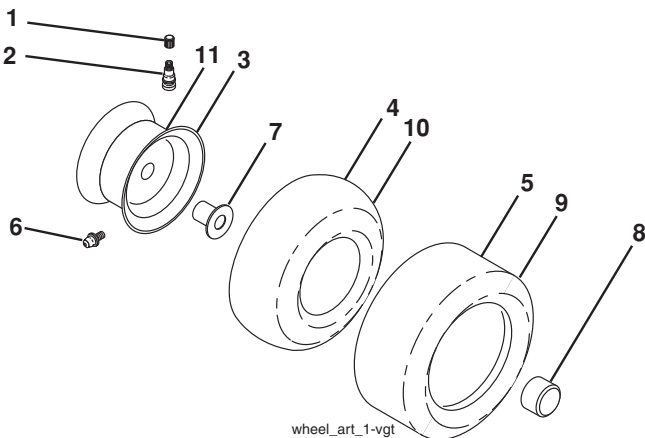
KEY PART NO. NO.

| KEY PART NO. | NO. | DESCRIPTION |
|--------------|-----------|-------------------------------|
| 1 | 581579001 | Decal, Warning |
| 2 | 580385901 | Decal, Engine |
| 3 | 448709 | Decal, Mower |
| 4 | 441122 | Decal, Fender |
| 5 | 586456301 | Decal, Hood |
| 6 | 581724501 | Decal, Mower |
| 7 | 581894601 | Decal, Steering |
| 9 | 149517 | Decal, Battery Warning |
| 10 | 586256901 | Decal, Side Skirt RH |
| 11 | 581580002 | Decal, Mower Schematic |
| 12 | 421534 | Decal, Mower V-Belt Schematic |

KEY PART NO. NO.

| KEY PART NO. | NO. | DESCRIPTION |
|--------------|------------|----------------------------------|
| 13 | 585571401 | Decal, Hood |
| 14 | 585556201 | Decal, Engine |
| 15 | 586256902 | Decal, Side Skirt LH |
| 16 | 584904601 | Decal, Deck/Deflect Warning |
| -- | 581724801 | Decal, Bypass |
| -- | 400981X428 | Pad Footrest RH |
| -- | 193226X428 | Pad Footrest LH |
| -- | 586618524 | Manual, Oper.'s (English/French) |
| -- | 587756224 | Manual, Parts (English/French) |

WHEELS AND TIRES



KEY PART NO. NO.

| KEY PART NO. | NO. | DESCRIPTION |
|--------------|------------|------------------------------------|
| 1 | 59192 | Cap, Valve, Tire |
| 2 | 65139 | Stem, Valve |
| 3 | 106732X421 | Rim Assembly, Front |
| 4 | 59904 | Tube, Front (Service Item Only) |
| 5 | 106222X | Tire, Front 15 x 6.0-6 |
| 6 | 278H | Fitting, Grease (Front Wheel Only) |
| 7 | 9040H | Bearing, Flange (Front Wheel Only) |
| 8 | 104757X428 | Cap, Axle |
| 9 | 122082X | Tire, Rear 20 x 8-8 |
| 10 | 7152J | Tube, Rear (Service Item Only) |
| 11 | 106108X421 | Rim Assembly, Rear |
| -- | 144334 | Sealant, Tire (10 oz. Tube) |

NOTE: All component dimensions given in U.S. inches
1 inch = 25.4 mm

TRACTOR - - MODEL NUMBER 944.604390

BRIGGS & STRATTON ENGINE - - MODEL NUMBER 44S877, TYPE NUMBER 0013-G1

- 48 SHORT BLOCK
- 1036 EMISSIONS LABEL
- 1058 OPERATOR'S MANUAL
- 1329 REPLACEMENT ENGINE
- 1330 REPAIR MANUAL

121 CARBURETOR OVERHAUL KIT

51, 51A, 104, 105, 137, 150, 163, 217, 276, 276A, 276B, 633, 633A, 672, 987, 1123, 1124, 1124A, 1353

1095 VALVE GASKET SET

7, 51B, 163, 868, 883, 1022, 850, 250, 252, 1027

358 ENGINE GASKET SET

3, 7, 9, 12, 20, 51, 51A, 51B, 163, 524, 691, 842, 868, 883, 943, 943A, 1022

4

12, 15, 616, 404, 552A, 742, 742, 552, 691, 1017, 1013, 415, 20, 965, 943, 1024, 750

10

22, 220, 8, 11, 9

847

523, 842, 525, 287, 524

1

2, 3, 718

219

221, 615, 227, 212, 505, 562

46

45

25

26, 27

50

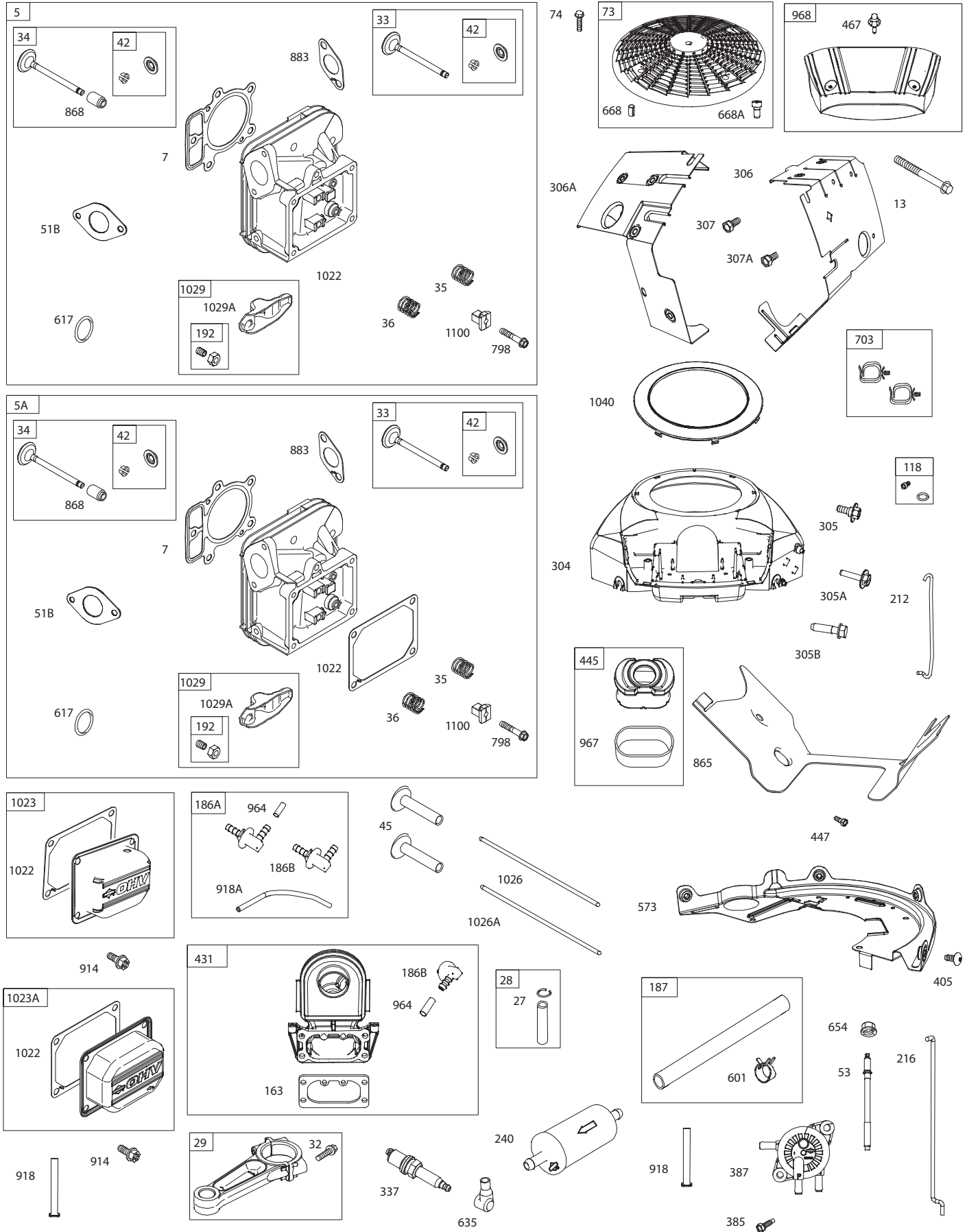
212, 51A, 163, 929, 54, 617, 617, 186, 415

16

24, 332, 75, 377, 741

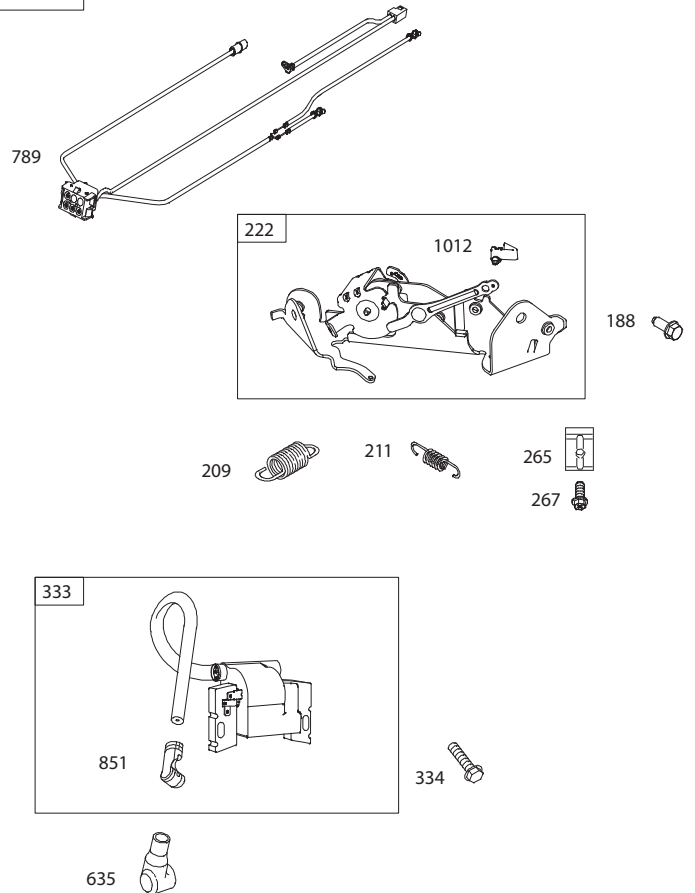
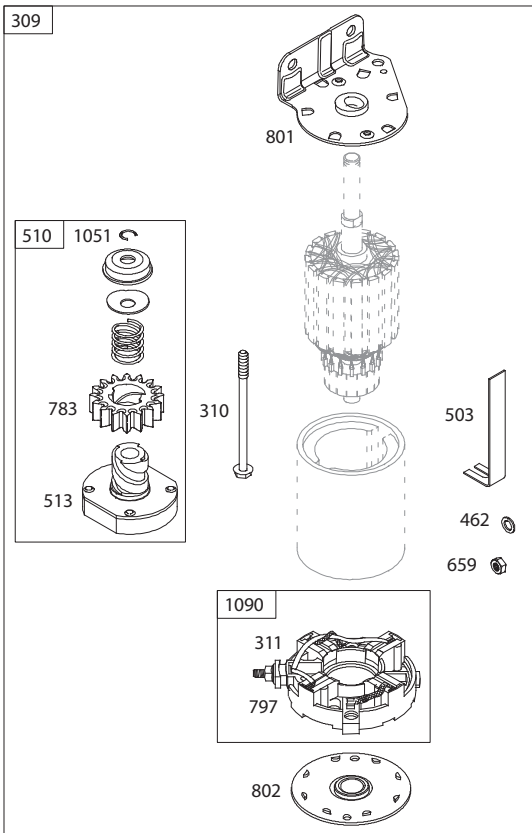
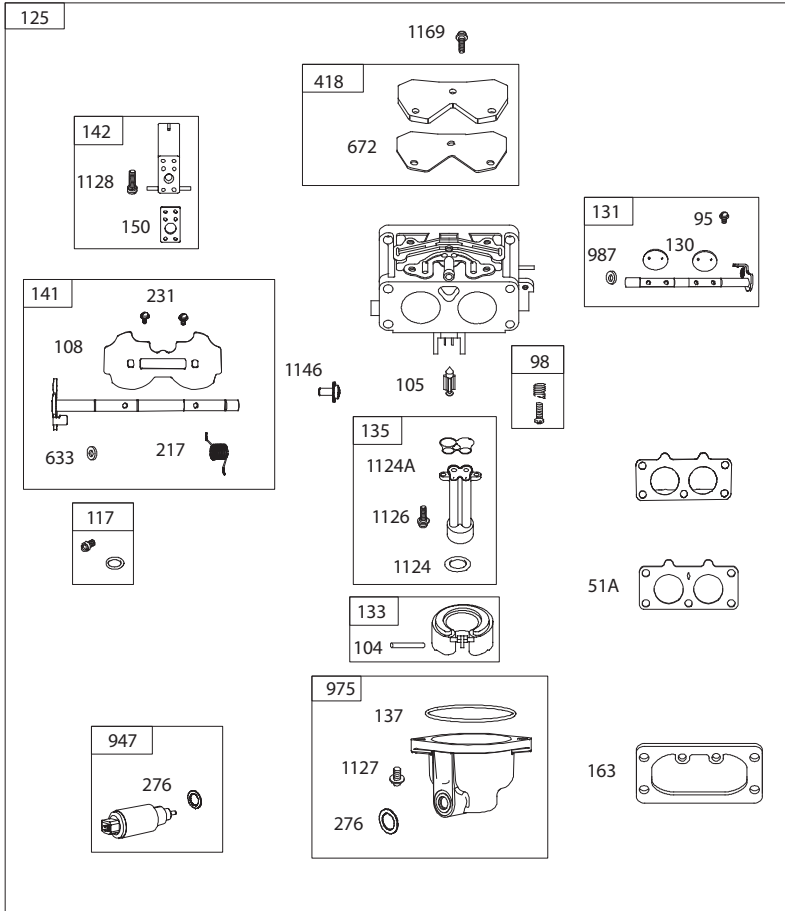
TRACTOR - - MODEL NUMBER 944.604390

BRIGGS & STRATTON ENGINE - - MODEL NUMBER 44S877, TYPE NUMBER 0013-G1



TRACTOR - - MODEL NUMBER 944.604390

BRIGGS & STRATTON ENGINE - - MODEL NUMBER 44S877, TYPE NUMBER 0013-G1



TRACTOR - - MODEL NUMBER 944.604390

BRIGGS & STRATTON ENGINE - - MODEL NUMBER 44S877, TYPE NUMBER 0013-G1

| KEY NO. | PART NO. | DESCRIPTION | KEY NO. | PART NO. | DESCRIPTION |
|---------|----------|----------------------------------------------------------------|---------|----------|---------------------------------------------------------|
| 1 | 591695 | Cylinder Assembly | 133 | 699724 | Float-Carburetor |
| 2 | 797673 | Bushing/Seal Kit (Magneto Side) | 135 | 699729 | Tube-Fuel Transfer |
| 3 | 391086s | Seal-Oil (Magneto Side) | 137 | 690994 | Gasket-Float Bowl |
| 4 | 796307 | Sump-Engine | 141 | 796228 | Kit-Choke Shaft |
| 5 | 799088 | Head-Cylinder (Cylinder #1) | 142 | 796871 | Nozzle-Carburetor |
| 5A | 799089 | Head-Cylinder (Cylinder #2) | 150 | 841649 | Gasket-Nozzle |
| 7 | 693997 | Gasket-Cylinder Head | 163 | 691001 | Gasket-Air Cleaner |
| 8 | 792185 | Breather Assembly | 186 | 795985 | Connector-Hose (Intake Manifold) |
| 9 | 690937 | Gasket-Breather | 186A | 799158 | Connector-Hose (EVAP) |
| 10 | 691108 | Screw (Breather Assembly) | 186B | 845141 | Connector-Hose (EVAP) |
| 11 | 792184 | Tube-Breather | 187 | 791766 | Line-Fuel (Cut to Required Length) |
| 12 | 591911 | Gasket-Crankcase | 188 | 691108 | Screw (Control Bracket) |
| 13 | 793988 | Screw (Cylinder Head) | 192 | 690083 | Adjuster-Rocker Arm |
| 15 | 690946 | Plug-Oil Drain | 209 | 798921 | Spring-Governor (Orange) |
| 16 | 796237 | Crankshaft | 211 | 691019 | Spring-Governed Idle (No Color) |
| 20 | 795387 | Seal-Oil (PTO Side) | 212 | 695238 | Link-Throttle |
| 22 | 694966 | Screw (Crankcase Cover/Sump) | 216 | 796229 | Link-Choke |
| 23 | 691053 | Flywheel | 217 | 799771 | Spring-Choke Return |
| 24 | 222698s | Key-Flywheel (Aluminum) | 219 | 793338 | Gear-Governor |
| 25 | 792023 | Piston Assembly (Standard) | 220 | 799772 | Washer (Governor Gear) |
| | 792072 | Piston Assembly (.020" Oversize) | 221 | 841026 | Cup-Governor |
| 26 | 792026 | Ring Set (Standard) | 222 | 592555 | Bracket-Control |
| | 792073 | Ring Set (.020" Oversize) | 227 | 798856 | Lever-Governor Control |
| 27 | 690975 | Lock-Piston Pin | 231 | 690718 | Screw (Choke Valve) |
| 28 | 696581 | Pin-Piston | 240 | 695666 | Filter-Fuel |
| 29 | 796209 | Rod-Connecting | 250 | 690957 | Retainer-Breather |
| 32 | 690976 | Screw (Connecting Rod) | 252 | 794389 | Collector-Oil |
| 33 | 793557 | Valve-Exhaust | 265 | 691024 | Clamp-Casing |
| 34 | 793556 | Valve-Intake | 267 | 792629 | Screw (Casing Clamp) |
| 35 | 694865 | Spring-Valve (Intake) | 276 | 695410 | Washer-Sealing (Aluminum) |
| 36 | 694865 | Spring-Valve (Exhaust) | 276A | 690997 | Washer-Sealing (Fiber) |
| 42 | 499586 | Keeper-Valve | 276B | 794271 | Washer-Sealing |
| 45 | 690977 | Tappet-Valve | 287 | 697820 | Screw (Dipstick Tube) |
| 46 | 797242 | Camshaft | 304 | 591668 | Housing-Blower |
| 48 | N/A | Short Block (Not Available At This Printing) | 305 | 691005 | Screw (Blower Housing) (1/4-20x.66) |
| 50 | 591784 | Manifold-Intake | 305A | 790690 | Screw (Blower Housing) (Blower Housing to Intake Elbow) |
| 51 | 795123 | Gasket-Intake | 305B | 691061 | Screw (Blower Housing) (#8-32x.87) |
| 51A | 690950 | Gasket-Intake | 306 | 591666 | Shield-Cylinder (Cylinder #2) |
| 51B | 690949 | Gasket-Intake | 306A | 796852 | Shield-Cylinder (Cylinder #1) |
| 53 | 690951 | Stud (Carburetor) | 307 | 691003 | Screw (Cylinder Shield) |
| 54 | 699816 | Screw (Intake Manifold) | 307A | 691108 | Screw (Cylinder Shield) (1/4-20x.66) |
| 73 | 494439 | Screen-Rotating | 309 | 497595 | Motor-Starter |
| 74 | 698425 | Screw (Rotating Screen) | 310 | 690323 | Screw (Starter Motor) |
| 75 | 691056 | Washer (Flywheel) | 311 | 497608 | Brush Set |
| 95 | 690718 | Screw (Throttle Valve) | 332 | 691059 | Nut (Flywheel) |
| 98 | 699721 | Kit-Idle Speed | 333 | 592846 | Armature-Magneto |
| 104 | 694918 | Pin-Float Hinge | 334 | 691061 | Screw |
| 105 | 797410 | Valve-Float Needle | 337 | 792015 | Plug-Spark |
| 108 | 699723 | Valve-Choke | 358 | 694012 | Gasket Set-Engine |
| 117 | 842585 | Jet-Main (Standard) (Left and Right Jet) | 367 | 697820 | Screw (Wire Clip) |
| | | | 377 | 690979 | Key-Woodruff |
| 118 | 791502 | Jet-Main (High Altitude) (Left and Right Jet) (5000/9000 Feet) | 385 | 797409 | Screw (Fuel Pump) |
| | | | 387 | 808656 | Pump-Fuel |
| 121 | 797890 | Kit-Carburetor Overhaul | 404 | 690442 | Washer (Governor Crank) |
| 125 | 796997 | Carburetor | 405 | 697820 | Screw (Back Plate) |
| 130 | 690993 | Valve-Throttle | 415 | 794903 | Plug |
| 131 | 499805 | Kit-Throttle Shaft | 418 | 795912 | Plate-Carburetor |

TRACTOR - - MODEL NUMBER 944.604390

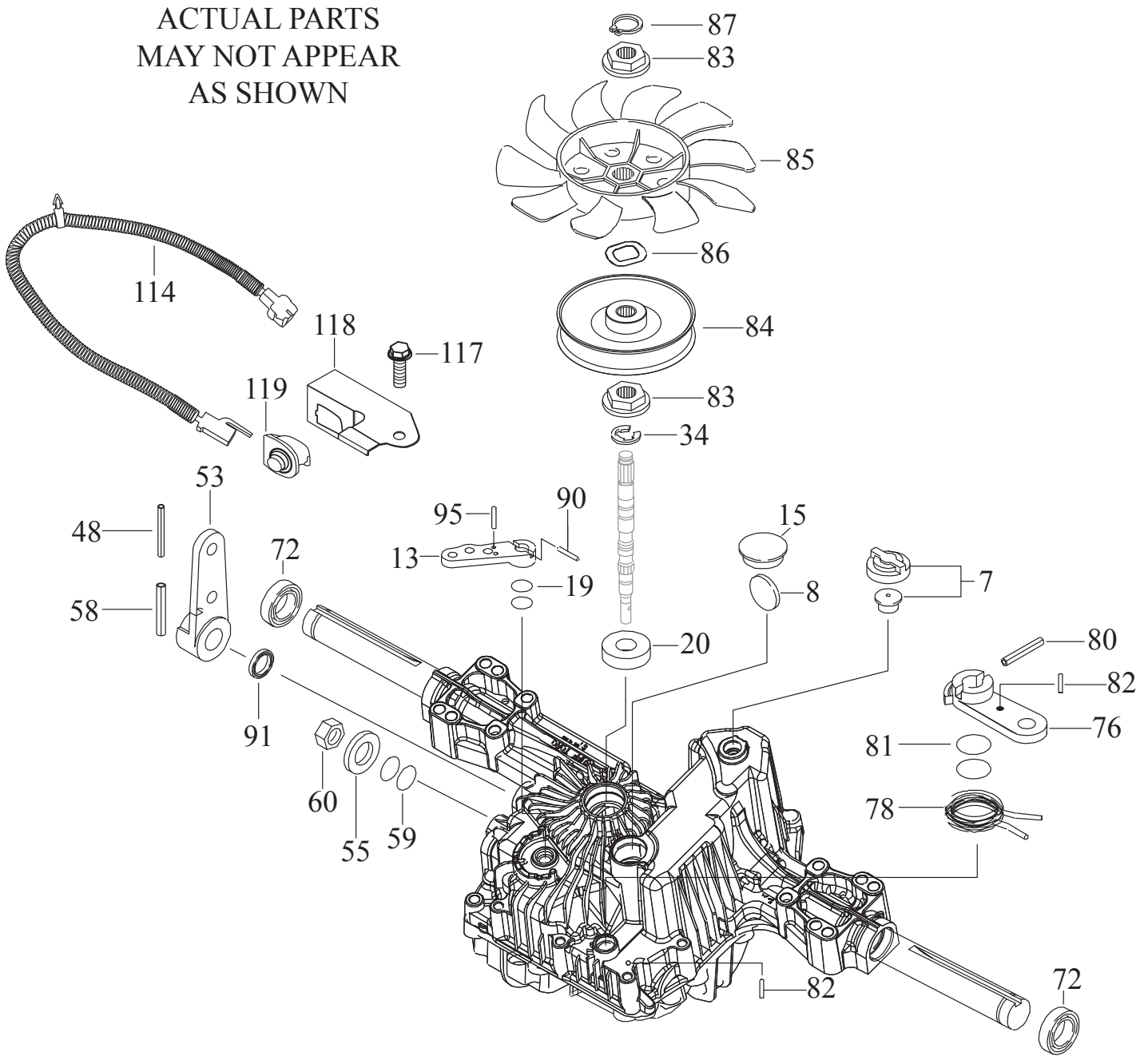
BRIGGS & STRATTON ENGINE - - MODEL NUMBER 44S877, TYPE NUMBER 0013-G1

| KEY NO. | PART NO. | DESCRIPTION | KEY NO. | PART NO. | DESCRIPTION |
|---------|----------|-------------------------------------------------------|-------------------------|-----------|------------------------------------------------------------------------|
| 431 | 798860 | Elbow-Intake | 943A | 690589 | Seal-O Ring (Oil Pump Cover) |
| 445 | 792105 | Filter-Air Cleaner Cartridge | 947 | 798779 | Solenoid-Fuel |
| 447 | 691003 | Screw(AirGuideCover)(#10-24x.43) | 964 | 799159 | Cap-Connector |
| 462 | 691261 | Washer (Starter Cable) | 965 | 796221 | Cover-Oil Pump |
| 467 | 790697 | Knob-Air Cleaner | 967 | 792303 | Filter-Pre Cleaner |
| 474 | 592830 | Alternator | 968 | 795120 | Cover-Air Cleaner |
| 501 | 845907 | Regulator | 975 | 796777 | Bowl-Fuel |
| 503 | 691532 | Strap-Starter | 987 | 691000 | Seal-Throttle Shaft |
| 505 | 691029 | Nut (Governor Control Lever) | 1005 | 791236 | Fan-Flywheel |
| 510 | 696541 | Drive-Starter | 1012 | 592556 | Retainer-Link |
| 513 | 692024 | Clutch-Drive | 1013 | 690954 | Nipple-Oil Filter |
| 523 | 691036 | Dipstick | 1017 | 796214 | Screen-Oil Pump |
| 524 | 691032 | Seal-Dipstick Tube | 1022 | 690971 | Gasket-Rocker Cover |
| 525 | 691037 | Tube-Dipstick | 1023 | 793146 | Cover-Rocker (Cylinder #1) |
| 526 | 691108 | Screw (Regulator) | 1023A | 499600 | Cover-Rocker (Cylinder #2) |
| 552 | 796638 | Bushing-Governor Crank | 1024 | 796220 | Pump-Oil |
| 552A | 690553 | Bushing-Governor Crank | 1026 | 690981 | Rod-Push (Exhaust) (Steel) |
| 562 | 690311 | Screw (Governor Control Lever) | 1026A | 690982 | Rod-Push (Intake) (Aluminum) |
| 573 | 790444 | Plate-Back | 1027 | 795890 | Filter-Oil |
| 601 | 691038 | Hose-Clamp (Black) | 1029 | 690972 | Arm-Rocker |
| 615 | 698290 | Retainer-Governor Shaft | 1029A | 807323 | Arm-Rocker |
| 616 | 691045 | Crank-Governor | 1036 | N/A | Label-Emissions (Available from a Briggs & Stratton Authorized Dealer) |
| 617 | 697891 | Seal-O Ring (Intake Manifold) (Red) | 1040 | 791237 | Plate-Trim |
| 633 | 699813 | Seal-Choke/Throttle Shaft (Choke Shaft) | 1051 | 691265 | Ring-Retaining |
| 633A | 690998 | Seal-Choke/Throttle Shaft | 1058 | 381258TRI | Operator's Manual |
| 635 | 66538s | Boot-Spark Plug | 1059 | 698516 | Kit-Screw/Washer (Alternator) |
| 654 | 690958 | Nut (Carburetor) (Serrated) | 1070 | 592604 | Screw (Flywheel Fan) |
| 668 | 691500 | Spacer (Rotating Screen) | 1090 | 691293 | Retainer-Brush |
| 668A | 691215 | Spacer (Rotating Screen) | 1095 | 694013 | Gasket Set-Valve |
| 672 | 690234 | Gasket-Carburetor Plate | 1100 | 791959 | Pivot-Rocker Arm |
| 691 | 790574 | Seal-Governor Shaft | 1119 | 691183 | Screw (Alternator) |
| 697 | 591909 | Screw (Drive Cap) | 1123 | 690987 | Seal-O Ring (Solenoid Retainer) |
| 703 | 691010 | Clip (Fuel Line) | 1124 | 841653 | Seal-O Ring (Fuel Transfer Tube) |
| 718 | 690959 | Pin-Locating | 1124A | 690988 | Seal-O Ring (Fuel Transfer Tube) |
| 729 | 797454 | Clip-Wire | 1126 | 690991 | Screw (Fuel Transfer Tube) |
| 741 | 690980 | Gear-Timing | 1127 | 695407 | Screw (Float Bowl) |
| 742 | 690328 | Retainer-E Ring | 1128 | 690990 | Screw (Carburetor Nozzle) |
| 750 | 796208 | Screw (Oil Pump Cover) | 1146 | 690991 | Screw (Choke Shaft) |
| 783 | 695708 | Gear-Pinion | 1169 | 690990 | Screw (Carburetor Cover Plate) |
| 789 | 591392 | Harness-Wiring | 1329 | N/A | Replacement Engine (Not Available At This Printing) |
| 797 | 693167 | Nut (Brush Retainer) | 1330 | N/A | Repair Manual (Not Available At This Printing) |
| 798 | 697890 | Screw (Rocker Arm) | 1353 | 699725 | Seal-O Ring (Fuel Transfer Tube Extension) |
| 801 | 691283 | Cap-Drive | | | |
| 802 | 691286 | Cap-End | | | |
| 842 | 691031 | Seal-O Ring (Dipstick Tube) | | | |
| 847 | 499602 | Dipstick/Tube Assembly | | | |
| 850 | 100106 | Sealant-Liquid | | | |
| 851 | 493880s | Terminal-Spark Plug | Carburetor Overhaul Kit | | Key No. 121 |
| 865 | 591667 | Cover-Air Guide (Valley) | Engine Gasket Set | | Key No. 358 |
| 868 | 690968 | Seal-Valve | Valve Gasket Set | | Key No. 1095 |
| 883 | 690970 | Gasket-Exhaust | | | |
| 914 | 691127 | Screw (Rocker Cover) | | | |
| 918 | 797408 | Hose-Vacuum (Rocker Cover #1) | | | |
| 918A | 799160 | Hose-Vacuum (EVAP) | | | |
| 929 | 695239 | Screw (Choke Control Bracket) | | | |
| 943 | 796222 | Seal-O Ring (Oil Pump Cover) (Square Cut) (I.D. 2.48) | | | |

NOTE: All component dimensions given in U.S. inches
1 inch = 25.4 mm

TRACTOR - - MODEL NUMBER 944.604390
TUFFTORQ TRANSAXLE - - MODEL NUMBER K57R

ACTUAL PARTS
MAY NOT APPEAR
AS SHOWN



TRACTOR - - MODEL NUMBER 944.604390
TUFFTORQ TRANSAXLE - - MODEL NUMBER K57R

| KEY NO. | PART NO. | DESCRIPTION |
|------------|--------------|-----------------------|
| 7 | 532 41 43-95 | Vent Valve 15 |
| 8 | 532 41 43-96 | Magnet |
| 13 | 532 41 43-98 | Bypass Lever |
| 15 | 532 41 43-99 | Sealing Cap 30 |
| 19 | 532 41 44-01 | O-Ring 1a P10a |
| 20 | 532 41 44-02 | Seal Tc 153507 |
| 34 | 532 41 44-04 | E-Ring 15 |
| 48 | 532 41 44-20 | Roll Pin |
| 53 | 532 41 44-31 | Control Lever F |
| 55 | 532 41 59-24 | Washer 12 |
| 58 | 532 41 59-25 | Roll Pin 6 * 40 |
| 59 | 532 41 59-26 | O-Ring 1a P14 |
| 60 | 532 41 59-27 | Nut 12 |
| 72 | 532 41 44-07 | Seal 19 * 32 * 8 |
| 76 | 532 41 44-08 | Brake Lever |
| 78 | 532 41 44-09 | Brake Return Spring |
| 80 | 532 41 44-10 | Spring Pin 5 * 32 |
| 81 | 532 41 44-11 | O-Ring 1a P12 |
| 82 | 532 41 44-12 | Spring Pin 4 * 16 |
| 83 | 532 41 44-13 | Spine Collar |
| 84 | 532 41 44-14 | Pulley L |
| 85 | 532 41 44-15 | Fan, Black |
| 86 | 532 41 44-16 | Wave Washer |
| 87 | 532 41 44-17 | Snap Ring |
| 90 | 532 41 44-18 | Spring Pin 3.0a * 20 |
| 91 | 532 41 44-19 | Oil Seal 16 * 22 *.03 |
| 95 | 532 41 48-50 | Spring Pin 3.0a*16 |
| 114 | 532 40 44-54 | Pigtail |
| 117 | 532 41 59-30 | Tapping Screw 8 * 20 |
| 118 | 532 41 59-29 | Switch Bracket |
| 119 | 532 41 59-28 | Switch |

NOTE: All component dimensions given in U.S. inches.
1 inch = 25.4 mm

GENERAL: Craftsman products are warranted to be free from defects in materials or workmanship for a specific time period as set-out below (the "Warranty Period"). Warranties extend to the original purchaser of a Craftsman product only. Purchases made through an online auction or through any website other than www.sears.ca are excluded. The relevant Warranty Period commences on the original date of purchase. Within this period, SEARS CANADA, Inc. will, at its sole option, repair or replace any products or components which fail in normal use. Such repairs or replacement will be made at no charge to the customer for parts or labor, provided that the customer shall be responsible for any transportation cost.

EXCLUSIONS: This warranty does not cover failures due to normal wear, abuse, misuse, neglect (including but not limited to the use of stale fuel, dirt, abrasives, moisture, rust, corrosion, or any adverse reaction due to improper storage or use habits), improper maintenance or failure to follow maintenance guidelines and/or instructions, failure to operate the product in accordance with the owner's manual or any additional instructions or information provided at the time of purchase or in subsequent communications with the original purchaser, accident or unauthorized alterations or repairs made or attempted by others. Also excluded from warranty coverage - except as provided below - are the following: maintenance, adjustments, components subject to wear including but not limited to: cosmetic components, belts, blades, blade adapters, bulbs, tires, filters, guide bars, lubricants, seats, grips, recoil assy's, saw chains and bars, trimmer lines and spools, spark plugs, starter ropers and tines, and discoloration resulting from ultraviolet light. Any product missing the model and/or serial number identification label will be disqualified from coverage under this warranty.

REPAIRS: Repairs have a 90 day warranty. If the defective product is still within the Warranty Period, then the new warranty is 90 days from the date of repair or to the end of the original Warranty Period, whichever period is longer.

DISCLAIMERS: THE WARRANTIES AND REMEDIES CONTAINED HEREIN ARE EXCLUSIVE AND IN LIEU OF ALL OTHER WARRANTIES, WHETHER ORAL OR WRITTEN (OTHER THAN AS STATED HEREIN), AND WHETHER EXPRESS, IMPLIED OR STATUTORY, INCLUDING BUT NOT LIMITED TO ANY. THIS WARRANTY GIVES YOU SPECIFIC LEGAL RIGHTS, WHICH MAY VARY FROM PROVINCE TO PROVINCE.

IN NO EVENT SHALL SEARS BE LIABLE FOR ANY INCIDENTAL, SPECIAL, INDIRECT OR CONSEQUENTIAL DAMAGES, WHETHER RESULTING FROM THE USE, MISUSE OR INABILITY TO USE THE PRODUCT OR FROM DEFECTS IN THE PRODUCT. THE EXCLUSIONS IN THIS PARAGRAPH SHALL NOT APPLY IN JURISDICTIONS WHERE APPLICABLE LAW DOES NOT ALLOW FOR THE EXCLUSION OF INCIDENTAL OR CONSEQUENTIAL DAMAGES. IN SUCH JURISDICTIONS, THIS PARAGRAPH SHALL NOT APPLY, BUT THE REMAINING PROVISIONS OF THIS DOCUMENT SHALL REMAIN VALID.

SEARS retains the exclusive right to repair or replace the product or offer a full refund of the purchase price at its sole discretion. SUCH REMEDY SHALL BE YOUR SOLE AND EXCLUSIVE REMEDY FOR ANY BREACH OF WARRANTY.

CUSTOMER RESPONSIBILITIES: In addition to complying with all suggested maintenance guidelines and instructions, customers' obligations shall include but shall not be limited to: operating the product in accordance with the owner's manual or any additional instructions or information provided at the time of purchase or in subsequent communications to the purchaser from time to time, exhibit reasonable care in the use, operation, maintenance, general upkeep and storage of the product. Failure to comply with these requirements will void any applicable warranty.

LIST OF APPLICABLE WARRANTY PERIODS: The following list contains the applicable Warranty Period for your Craftsman product and is based on a combination of the type of product or component and the intended and actual use of the product or component:

1. **90 DAYS:** Craftsman products intended for use or actually used for commercial, institutional, professional or income-producing purposes
2. **2 YEARS:** Craftsman riding lawn mowers, yard and garden tractors, walk behind mowers, tillers, brush cutters, snow blowers, handheld blowers, backpack blowers, hedge trimmers and electrical products for noncommercial, nonprofessional, non-institutional, or non-income-producing use, except for those components which are part of engine systems manufactured by third party engine manufacturers for which the purchase has received a separate warranty with product information supplied at the time of purchase.
3. **1 YEAR:** Craftsman power cutters, stump grinders, pole pruners, gas chain saws, electric chain saws, trimmer attachments, baggers and pole saws for noncommercial, nonprofessional, non-institutional, or non-income-producing use.
4. **90 DAYS:** All defective batteries, which will be replaced during this 90-day Warranty Period.
5. **60 DAYS:** Additional Warranty Period of 60 days will apply to adjustments and worn products or components BUT DOES NOT INCLUDE WEAR OR ADJUSTMENTS for products used for commercial, institutional, professional or income-producing purposes. Wear items include but are not limited to: belts, blades, tires, spark plugs, air filters, chains, shear bolts, skid plates, scraper bars, drift cutters, ropes, tines, collection bags and pulleys.

As the Warranty Period runs from the date of purchase and NOT from the date that a product is delivered, opened, assembled or first used, please ensure during this time period that your product or component has been assembled and tested for correction operation regardless of when you intend to actually use it. Claims made after the Warranty Period has expired will not be honored.

PROOF OF PURCHASE/DOCUMENTATION: Warranty coverage is conditioned upon the original purchaser furnishing SEARS CANADA or its authorized third party service provider if applicable, with the original sales receipt or other adequate written proof of the original purchase date and identification of the product. In the event that the original purchaser is unable to provide a company of the original sales receipt, SEARS CANADA Inc. reserves the right to determine in its sole discretion what other written proof of the original purchase date and identification of the product is acceptable.

SERVICE NOTES

Get it fixed, at your home or ours!

Just Call:

1-800-4-MY-HOME[®]

(1-800-469-4663)

24 hours a day, 7 days a week

For the repair of major brand appliances **in your own home...**
no matter who made it, no matter who sold it!

For your nearest **Sears Parts and Service** location,
to bring in products like vacuums, lawn equipment and electronics.

For **Sears Parts & Service**, to order the replacement parts,
accessories and owner's manuals that you need to do-it-yourself.

www.sears.ca

To purchase or inquire about a Sears Maintenance Agreement, call:

1-800-361-6665

9 a.m. – 11 p.m. Mon. – Fri., EST, 9 a.m. – 4 p.m. Sat.

Pour service en français:

1-800-LE-FOYER^{MC}

(1-800-533-6937)

www.sears.ca



® / TM Trademarks of Sears Brands Management Corporation used under license by Sears Canada

^{MD} Marque déposée / ^{MC} Marque de commerce de Sears Brands Management Corporation utilisée en vertu d'une licence de Sears Canada

Faites-le réparer, à domicile ou à l'atelier!

Téléphonez au:
1-800-LE-FOYER^{MC}
(1-800-533-6937)
24 heures par jour, 7 jours par semaine

Pour la réparation des appareils électroménagers de grandes marques
à votre domicile ... peu importe le fabricant ou le détaillant!

Pour connaître l'emplacement du **Service des pièces et de l'entretien**
Sears le plus proche afin d'apporter à l'atelier des produits tels que
des aspirateurs, tondeuses à gazon ou appareils électroniques.

Pour connaître le no. de téléphone du **Service des pièces et de l'entretien**
Sears afin de commander les pièces de rechange, accessoires et
manuels d'instructions requis pour effectuer vous-même les réparations.

www.sears.ca

Pour acheter ou demander des renseignements
sur un contrat d'entretien Sears, téléphonez au:
1-800-361-6665

de 9 h à 23 h du lundi au vendredi (HNE), de 9 h à 16 h le samedi!

For service in English:
1-800-4-MY-HOME[®]
(1-800-469-4663)
www.sears.ca



GÉNÉRALITÉS : Les produits Craftsman sont garantis contre tout défaut de matériaux ou de fabrication pendant une période de temps précise, telle qu'établie ci-dessous (la « période de garantie »). En outre, cette garantie est offerte uniquement à l'acheteur initial du produit Craftsman. Les achats effectués par l'entremise d'un encan en ligne ou sur tout site Web autre que www.sears.ca sont exclus. La période de garantie débute à la date de l'achat initial. Au cours de cette période, Sears Canada, Inc. s'engage, à sa seule discrétion, à réparer ou à remplacer tout produit ou composant de produit défectueux dans des conditions d'utilisation normale. La réparation ou le remplacement sera effectué pour le client sans frais de pièces ni de main-d'œuvre, à condition que le client prenne à sa charge les frais de transport.

EXCLUSIONS : La présente garantie ne couvre pas les défectuosités dues à l'usure normale, l'utilisation inappropriée ou abusive, la négligence (y compris s'y restreindre, l'utilisation d'essence éventrée, la poussière, l'humidité, la rouille, la corrosion ou tout autre effet indésirable, imputable à un entreposage ou à des habitudes d'utilisation inappropriées), un mauvais entretien, le non-respect des consignes ou directives d'entretien, l'utilisation de l'appareil contrairement aux instructions fournies dans le manuel d'entretien ou aux consignes ou informations données à l'acheteur initial, au moment de l'achat ou au cours de communications subséquentes avec lui, un accident ou encore une modification ou des réparations non autorisées, effectuées ou tentées par d'autres. Sont également exclus de la couverture de la garantie - - sauf indication fournie ci-dessous - les éléments suivants : travaux d'entretien, réglages, composants sujets à l'usure, y compris mais sans s'y restreindre : les composants esthétiques, courroies, lames, adaptateurs de lame, ampoules, pneus, filtres, barres de guidage, lubrifiants, sièges, poignées, logements de cordon de scie, chaînes et barres de scie, bobines et fils de tonduse à touet, bougies, cordes de démarrage et dents, ainsi que les décorations résultant de l'exposition aux rayons ultraviolets. Tout produit ne portant pas son étiquette d'identification avec son numéro de modèle ou de série sera exclu de la protection offerte par la présente garantie.

RÉPARATIONS : Les réparations sont garanties pendant une période de 90 jours. Si le produit défectueux est toujours couvert par la garantie, la nouvelle garantie est de 90 jours à compter de la date de la réparation ou jusqu'à la fin de la période de garantie initiale, selon la plus longue des deux échéances.

RESTRICTIONS : LES GARANTIES ET RECOURS DÉFINIS DANS LES PRÉSENTES SONT EXCLUSIFS ET REMPLACENT TOUTE AUTRE GARANTIE, QU'ELLE SOIT VERBALE OU ÉCRITE (AUTRE QUE CELLES ÉNONCÉES DANS LES PRÉSENTES) OU QU'ELLE SOIT EXPRÉSSE, IMPLICITE OU PRÉVUE PAR LA LOI, SANS SE RESTREINDRE À AUCUNE. LA PRÉSENTE GARANTIE VOUS CONFÈRE DES DROITS JURIDIQUES PRÉCIS, POUVANT DIFFÉRER D'UNE PROVINCE À L'AUTRE.

SEARS NE POURRA EN AUCUN CAS ÊTRE TENUE RESPONSABLE DE TOUT DOMMAGE ACCESSOIRE, SPÉCIAL, INDIRECT OU CONSÉCUTIF, QUI RÉSULTERAIT DE L'UTILISATION, DU MÉSUSAGE OU DE L'INCAPACITÉ D'UTILISER LE PRODUIT OU QUI DÉCOULERAIT DE DÉFECTUOSITÉS DU PRODUIT. LES EXCLUSIONS DU PRÉSENT PARAGRAPHE NE S'APPLIQUENT PAS DANS LES TERRITOIRES OU LA LOI NE PERMET PAS L'EXCLUSION DES DOMMAGES ACCESSOIRES OU CONSÉCUTIFS. DANS CES TERRITOIRES, LE PRÉSENT PARAGRAPHE SERA SANS EFFET, MAIS SEARS conserve le droit exclusif de réparer ou de remplacer le produit ou encore d'offrir un remboursement complet de son prix d'achat, à sa seule discrétion. CE RECOURS SERA LE SEUL ET UNIQUE RECOURS DONT VOUS DISPOSEREZ EN CAS D'INEXÉCUTION QUELLE QU'ELLE SOIT DE LA GARANTIE.

RESPONSABILITÉS DU CLIENT : En plus d'observer toutes les consignes et directives d'entretien, le client doit s'acquitter, entre autres, des obligations suivantes : utiliser le produit conformément aux consignes de la notice d'entretien et aux directives ou informations additionnelles fournies à l'acheteur au moment de l'achat ou à l'occasion de communications subséquentes ; faire preuve d'un soin raisonnable pour l'utilisation, le fonctionnement, l'entretien général, le maintien en bon état et l'entreposage du produit. Le manquement à ces obligations entraînera une annulation de la garantie applicable.

LISTE DES PÉRIODES DE GARANTIE APPLICABLES : La liste ci-dessous indique la période de garantie applicable aux divers produits Craftsman qu'elle couvre ; la période accordée tient compte du type de produit ou de composants et du type d'utilisation prévue ou effective de l'appareil ou du composant :

1. **90 JOURS** - Produits Craftsman devant être ou étant effectivement utilisés à des fins commerciales, institutionnelles, professionnelles ou lucratives.
2. **2 ANS** - Les produits de marque Craftsman suivants : tondeuses à conducteur porté, tracteurs de jardin, tondeuses à contrôle arrière, motobèches, débroussaillieurs, souffleuses à neige, souffleuses portatives, souffleuses dorsales, taille-bordures et produits électriques à usage non commercial, non professionnel, non institutionnel ou non lucratif, sauf les composants faisant partie de systèmes de moteur fabriqués par des tiers pour lesquels l'acheteur a reçu une garantie séparée ainsi que des renseignements sur le produit, au moment de l'achat.
3. **1 AN** - Produits de marque Craftsman suivants : couteaux électriques, broyeuses de souches, ébranchoirs, scies à chaîne à essence, scies à chaîne électriques, accessoires de taille-bordures, sacs et scies à long manche utilisées à des fins non commerciales, non professionnelles, non institutionnelles et non lucratives.
4. **90 JOURS** - Toutes les batteries défectueuses, qui seront remplacées pendant une période de garantie de 90 jours.
5. **60 JOURS** - Une période de garantie additionnelle de 60 jours s'appliquera pour le réglage de produits de produits commerciaux, institutionnelles, professionnelles ou lucratives. Les articles sujets à l'usure englobent, sans s'y restreindre : les courroies, lames, pneus, bougies, filtres à air, chaînes, bouillons de cisaillement, plaques de protection, barres de raclage, coupe-congères, cordons, dents, sacs collecteurs et poilies.

Étant donné que la période de garantie débute à la date d'achat et NON à la date à laquelle le produit est livré, l'emballage ouvert et l'appareil assemblé ou utilisé la première fois, assurez-vous que votre produit ou composant est assemblé et mis à l'essai pour en vérifier le bon fonctionnement, quel que soit le moment où vous prévoyez commencer à l'utiliser réellement. Les réclamations présentées après l'expiration de la garantie ne seront pas acceptées.

PREUVE D'ACHAT ET DOCUMENTS : La protection de la garantie est conditionnelle à la présentation par l'acheteur initial, à Sears Canada ou à son fournisseur de service autorisé s'il y a lieu, de la facture ou de toute autre preuve d'achat appropriée indiquant la date de l'achat et désignant le produit. Dans le cas où l'acheteur initial serait dans l'impossibilité de fournir une copie de sa facture, Sears Canada Inc. se réserve le droit d'établir, à sa seule discrétion, quelle autre preuve écrite de la date d'achat initial et de la désignation du produit est acceptable.

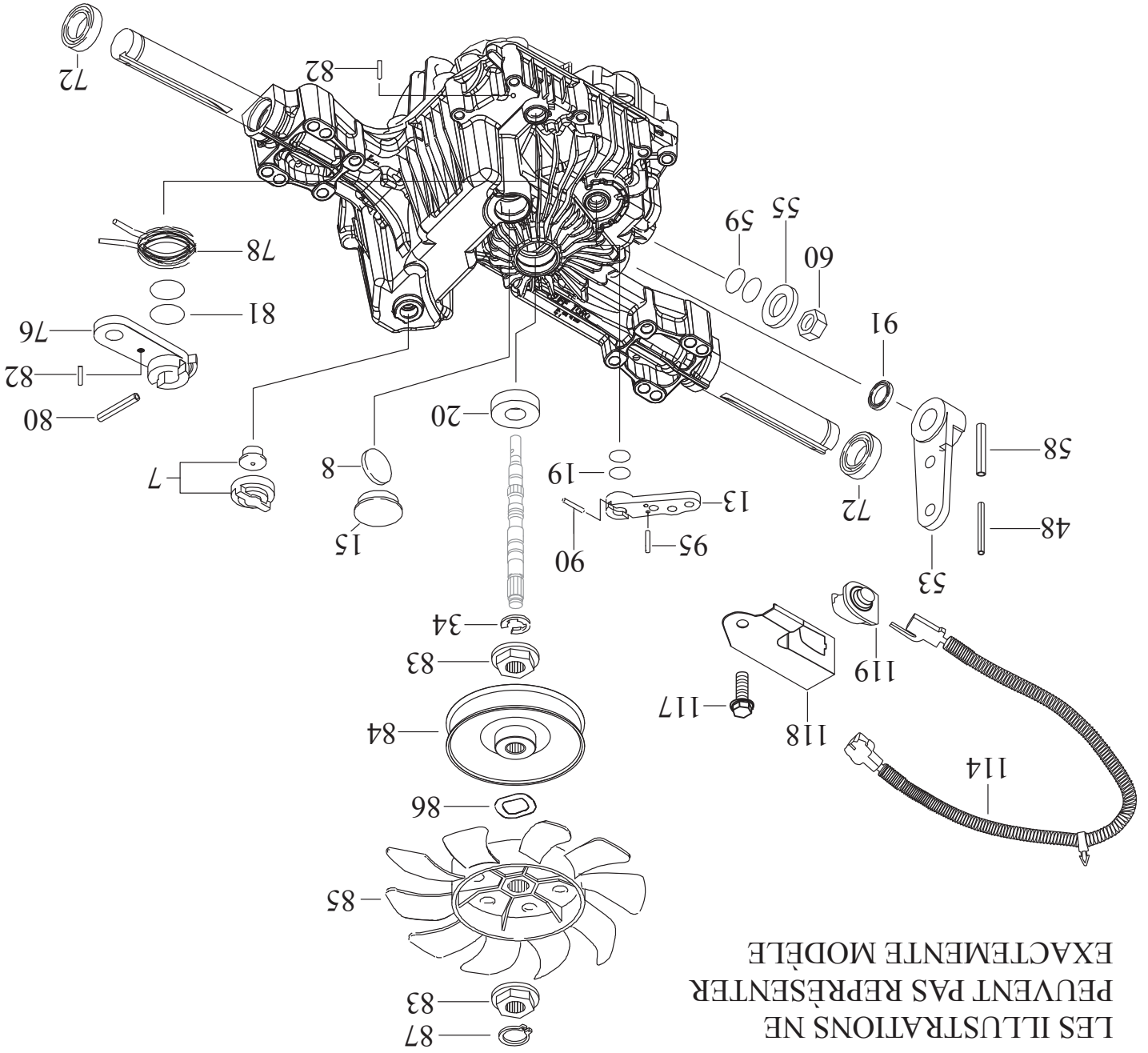
TRACTEUR - - NUMÉRO DE MODÈLE 944.604390
TRANSMISSION "TUFFORQ" - NO. DE MODÈLE K57R

| NO. | DE | PIECE | DESCRIPTION |
|-----|--------|-------|----------------------------------|
| 7 | 532 41 | 43-95 | Soupape le bouche d'aération 15 |
| 8 | 532 41 | 43-96 | Aimant |
| 13 | 532 41 | 43-98 | Commande de dérivation |
| 15 | 532 41 | 43-99 | Chapeau 30 |
| 19 | 532 41 | 44-01 | Bague en o 1a p10a |
| 20 | 532 41 | 44-02 | Joint d'étanchéité tc 153507 |
| 34 | 532 41 | 44-04 | Bague en e 15 |
| 48 | 532 41 | 44-20 | Chevillon |
| 53 | 532 41 | 44-31 | Levier f |
| 55 | 532 41 | 59-24 | Rondelle 12 |
| 58 | 532 41 | 59-25 | Goupille mécanicus 6 * 40 |
| 59 | 532 41 | 59-26 | Bague en o 1a p14 |
| 60 | 532 41 | 59-27 | Ecroû 12 |
| 72 | 532 41 | 44-07 | Joint d'étanchéité 19 * 32 * 8 |
| 76 | 532 41 | 44-08 | Levier de frein |
| 78 | 532 41 | 44-09 | Ressort de rappel du frein |
| 80 | 532 41 | 44-10 | Chevillon 5 * 32 |
| 81 | 532 41 | 44-11 | Bague en o 1a p12 |
| 82 | 532 41 | 44-12 | Chevillon 4 * 16 |
| 83 | 532 41 | 44-13 | Collier |
| 84 | 532 41 | 44-14 | Poulie I |
| 85 | 532 41 | 44-15 | Ventilateur |
| 86 | 532 41 | 44-16 | Rondelle |
| 87 | 532 41 | 44-17 | Bague en ressort |
| 90 | 532 41 | 44-18 | Chevillon 3.0A * 20 |
| 91 | 532 41 | 44-19 | Joint d'étanchéité 16 * 22 * .03 |
| 95 | 532 41 | 48-50 | Chevillon 3.0A*16 |
| 114 | 532 40 | 44-54 | Natte |
| 117 | 532 41 | 59-30 | Vis 8 * 20 |
| 118 | 532 41 | 59-29 | Support interrupteur |
| 119 | 532 41 | 59-28 | Interrupteur |

REMARQUE: Toutes les dimensions de composant sont données en pouce d'E.-U. - - 1 pouce = 25,4 mm.

TRACTEUR - - NÚMÉRO DE MODELE 944.604390
TRANSMISSION "TUFFTORQ" - NO. DE MODELE K57R

LES ILLUSTRATIONS NE
 PEUVENT PAS REPRÉSENTER
 EXACTEMENT LE MODELE



TRACTEUR - - NUMÉRO DE MODÈLE 944.604390
MOTEUR "BRIGGS & STRATTON" - NO. DE MODÈLE 44S877, NO. DE TYPE 0013-G1

| NO. DE PIÈCE | DESCRIPTION | NO. DE PIÈCE | DESCRIPTION |
|--------------|---------------------------------------|--------------|---------------------------------------|
| 462 | Rondelle | 965 | Pompe de Couvrir-Huile |
| 467 | Décapant de Bouton-Air | 967 | Décapant de Filtre-Pré |
| 474 | Alternateur | 968 | Décapant de Couvrir-Air |
| 501 | Régulateur | 975 | Cuve de Carburateur |
| 503 | Support du démarreur | 987 | Axe de Joint-Commande de puis- |
| 505 | Ecrou de Levier de Régulateur | 1005 | Ventilateur de Volant du Moteur |
| 510 | Conduire-Démarreur | 791236 | Jonction de retenue |
| 513 | Embrayage-Conduisez | 592556 | Filtre de Mamelon-Huile |
| 524 | Joint d'étanchéité, Tube de Remplis- | 1013 | Ecran de pompe d'huile |
| 525 | Tube de Remplissage d'huile | 1017 | Garniture, Couverture de Balancier |
| 526 | Vis (Régulateur) | 1023 | Couverature de Balancier (Cyl. 1) |
| 527 | Douille, Manivelle du Régulateur | 1023A | Couverature de Balancier (Cyl. 2) |
| 528 | Douille, Manivelle du Régulateur | 1024 | Pompe d'huile |
| 529 | Vis de Levier de Régulateur | 1026 | Tige à Frein (Steel) |
| 530 | Plat-En arrière | 1026A | Tige à Frein (Aluminium) |
| 531 | Bride de Serrage de Tuyau (Black) | 1027 | Filtre à huile |
| 532 | Attache, Arbre de Régulateur | 1029 | Bras de Balancier |
| 533 | Manivelle du Régulateur | 1029A | Bras de Balancier |
| 534 | Anneau de Joint-o (tubulure de prise) | 1036 | Jeu d'équilibré (Fourni par un reven- |
| 535 | (Red) | 1040 | Plat d'équilibré |
| 536 | Siège de Arbre de Starter / Papillon | 1051 | Circuit |
| 537 | Siège de Arbre de Starter / Papillon | 1058 | Le manuel de l'opérateur |
| 538 | Coude de Bougie d'allumage | 1059 | Jeu, Vis/Rondelle (Alternateur) |
| 539 | Ecrou (Carburateur) | 1070 | Vis, Ventilateur de Volant du Moteur |
| 540 | Entretoise, Support de Commande | 1090 | Arrêt de brosse |
| 541 | Entretoise, Support de Commande | 1095 | Fixée, Garnitures du Soupape |
| 542 | Plat de Garniture-Carburateur | 1100 | Pivot, Tige à Frein |
| 543 | Joint d'axe du Gouverneur | 1119 | Vis, Alternateur |
| 544 | Vis, Moteur de Rebobinage | 1123 | Anneau de Joint-O (Solénoïde) |
| 545 | Agrafe | 1124 | Anneau de Joint-O (renvoi des billes |
| 546 | Goupille de Emplacement | 1124A | de carburant) |
| 547 | Agrafe-Fil | 690988 | Anneau de Joint-o (renvoi des billes |
| 548 | Vitesse de Distribution | 1126 | de carburant) |
| 549 | Bague en E | 690991 | Vis (renvoi des billes de carburant) |
| 550 | Vis, (Pompe de Couvrir-Huile) | 1127 | Vis, Cuve de Flotteur |
| 551 | Vitesse-Pignon | 1128 | Vis (bec de carburateur) |
| 552 | Harnais-Câblage | 1146 | Vis |
| 553 | Ecrou | 690990 | Vis (plat de carburateur) |
| 554 | Vis, Couverture de Balancier | 1169 | Vis (plat de carburateur) |
| 555 | Chapeau-Conduisez | 1329 | Moteur de rechange (Non disponible |
| 556 | Monture | N/A | lorsque le manuel a été imprimé) |
| 557 | Joint Torique, d'étanchéité | 1330 | Réparez le manuel (Non disponible |
| 558 | Ensemble des Tube et Jauge de Rem- | 699725 | lorsque le manuel a été imprimé) |
| 559 | plissage d'huile | | Anneau de Joint-O (tuyau de carbu- |
| 560 | Mastic-Liquide | | rant) |
| 561 | Borne, Bougie d'allumage | | |
| 562 | Guide de Couvrir-Air (vallée) | | |
| 563 | Joint d'étanchéité, Soupape | | |
| 564 | Garniture d'échappement | | |
| 565 | Vis, Couverture de Balancier | | |
| 566 | Tuyau-Vide (couverture de culbuteur) | | |
| 567 | Tuyau-Vide (EVAF) | | |
| 568 | Vis (support de commande de bobine) | | |
| 569 | Anneau de Joint-O (couverture de | | |
| 570 | pompe d'huile) (carre) | | |
| 571 | Anneau de Joint-O (couverture de | | |
| 572 | pompe d'huile) | | |
| 573 | Solénoïde-Carburant | | |
| 574 | Chapeau-Connecteur | | |

DESCRIPTION

NO. DE PIÈCE

DESCRIPTION

NO. DE PIÈCE

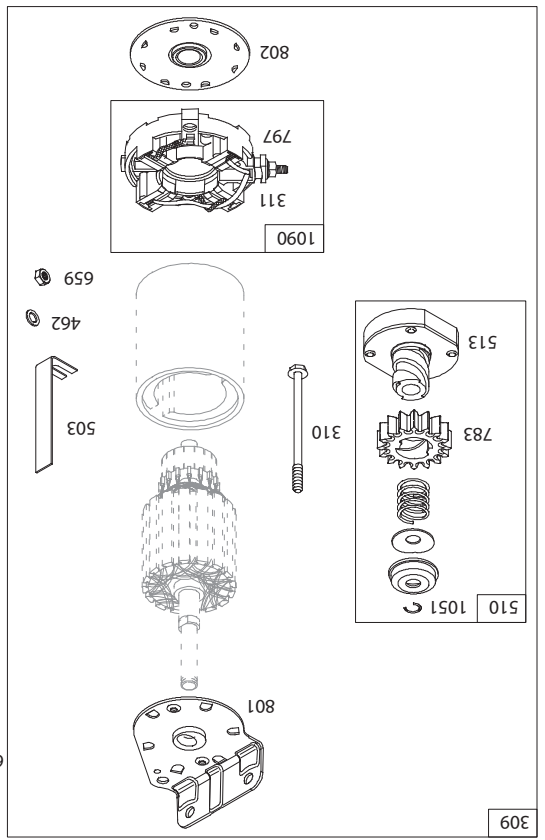
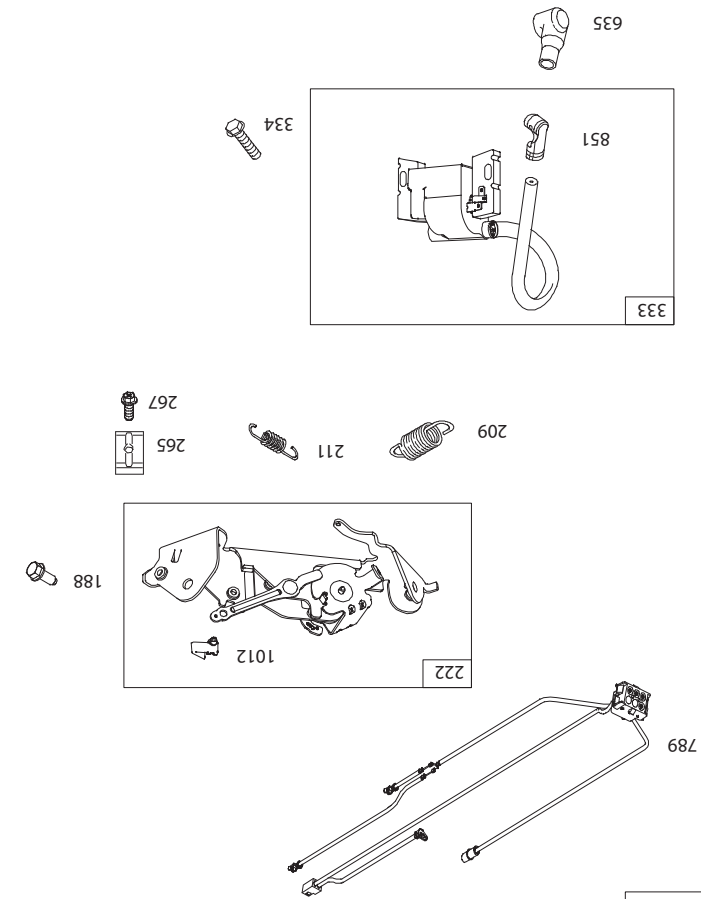
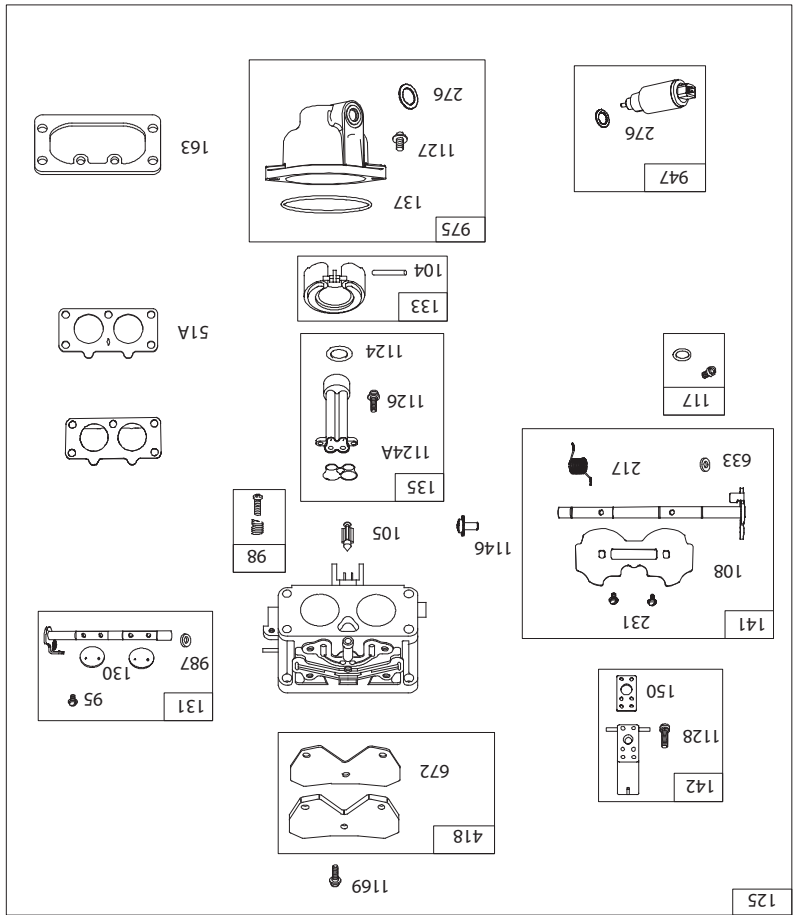
Key No. 121
 Jeu de révision de carburateur
 Key No. 358
 Jeu de garniture de moteur
 Key No. 1095
 Jeu de garniture de valve

REMARQUE: Toutes les dimensions de composant sont données en pouces E.-U. -- 1 pouce = 25,4 mm

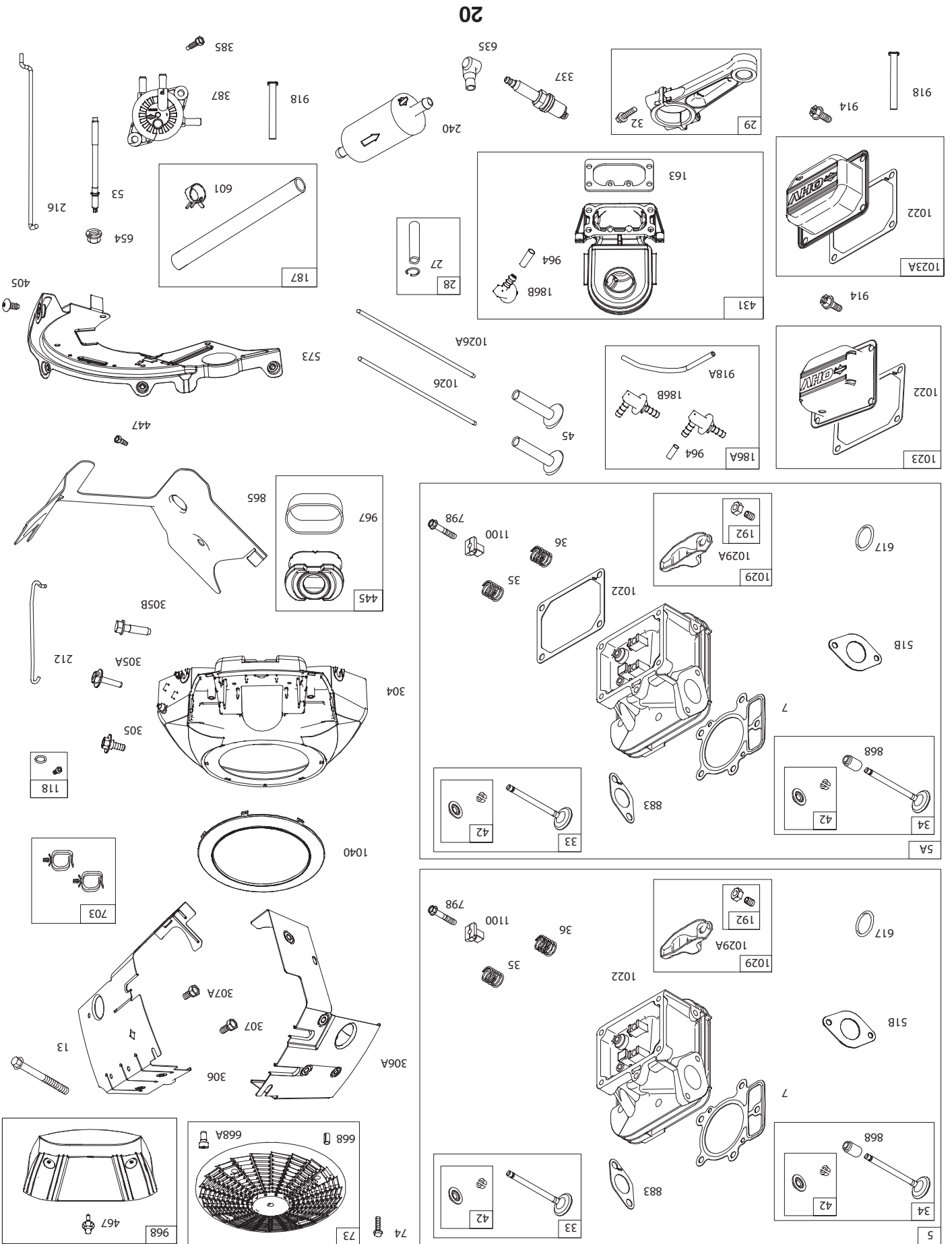
**TRACTEUR - - NUMÉRO DE MODÈLE 944.604390
MOTEUR "BRIGGS & STRATTON" - NO. DE MODÈLE 44S877, NO. DE TYPE 0013-G1**

| NO. DE PIÈCE | DESCRIPTION | NO. DE PIÈCE | DESCRIPTION |
|--------------|-----------------------------------------------------------------|--------------|---------------------------------------------|
| 1 | Ensemble du Cylindre | 137 | Garniture du Flotteur |
| 2 | 797673 Douille de Cylindre (Côté Magnéto) | 141 | Jeu-Obstruez l'axe |
| 3 | 3910866 Bague d'étanchéité (Côté Magnéto) | 796871 | Bec-Carburateur |
| 4 | 796307 Carter de vidange-Moteur | 841649 | Cle de la Distribution |
| 5 | 799088 Tête de Cylindre (Cyl 1) | 691001 | Garniture-Bec |
| 5A | 799089 Tête de Cylindre (Cyl 2) | 795985 | Garniture de Filtre à Aire |
| 7 | 693997 Garniture de la Tête de Cylindre | 79158 | Tuyau-Connecteur (Coude de prise) |
| 8 | 792185 Assemblée de reniflard | 845141 | Tuyau-Connecteur (EVA) |
| 9 | 690937 Garniture de reniflard | 791766 | Tuyau, Essence |
| 10 | 691108 Vis (Assemblée de reniflard) | 691108 | Vis, Support de Control |
| 11 | 792184 Tube de Reniflard | 690083 | Balancier de Réglage |
| 12 | 591911 Garniture du Carter-moteur | 798921 | Ressort, Régulateur (Orange) |
| 13 | 793988 Vis de Tête de Cylindre | 691019 | Ralentil Ressort-Régi (Aucune Cou- |
| 15 | 690946 Bouchon de Vidange d'huile | | leur) |
| 16 | 796237 Vilebrequin | 695238 | Lien-Commande de puissance |
| 20 | 795387 Bague d'étanchéité (Côté PTO) | 796229 | Lien-Obstruez |
| 22 | 694966 Vis de Montage de Bac à Sems | 799771 | Ressort-Obstruez le retour |
| 23 | 691053 Volant Magnéto | 793338 | Vitesse, Régulateur |
| 24 | 2226988 Cle de Volant | 799772 | Rondelle de Vitesse de Régulateur |
| 25 | 792023 Ensemble du Piston, Standard | 841026 | Tasse-Gouverneur |
| 26 | 792026 Jeu des Segments de Piston, Std. | 592555 | Support du Carburateur |
| 27 | 690975 Verrou de l'axe de Piston | 798856 | Ensemble du Levier de Régulateur |
| 28 | 696581 Axe de Piston | 690718 | Vis (Valve de Bobine) |
| 29 | 796209 Ensemble de la Bielle | 695666 | Filtre-Carburant |
| 32 | 690976 Vis de Bielle | 690957 | Arrêt-Reniflard |
| 33 | 793557 Soupape d'échappement | 794389 | Collecteur-Huile |
| 34 | 793556 Soupape d'admission | 691024 | Clamp-Casing |
| 35 | 694865 Ressort de Soupape d'admission | 792629 | Vis (Bride d'enveloppe) |
| 36 | 694865 Ressort de Soupape d'échappement | 695410 | Rondelle-Cachetage (aluminium) |
| 42 | 499586 Guide à Soupape | 690997 | Rondelle-Cachetage (filbre) |
| 45 | 690977 Poussoir à Soupape | 794271 | Rondelle-Cachetage |
| 46 | 797242 Engrenage de Came | 697820 | Vis de Tube de Jauge d'huile |
| 48 | N/A Bloc Court (Non disponible lorsque le manuel a été imprimé) | 591668 | Boîtier de Soufflerie |
| 50 | 591784 Coude de prise | 691005 | Vis, Boîtier de Soufflerie (1/4 20 x.66) |
| 51 | 795123 Garniture de Coude d'admission | 790690 | Vis (ventilateur logeant au coude de prise) |
| 51A | 690950 Garniture de Coude d'admission | 305B | 691061 Vis, Boîtier de Soufflerie |
| 51B | 690949 Garniture de Coude d'admission | 306 | Protecteur de Cylindre (Cyl. 2) |
| 53 | 690951 Stud (Carburateur) | 306A | Protecteur de Cylindre (Cyl. 1) |
| 54 | 699816 Vis (Intake Manifold) | 307 | Vis, Protecteur de Cylindre |
| 73 | 494439 Ecran | 307A | Vis, Protecteur de Cylindre (1/4 20 x.66) |
| 74 | 698425 Vis (Ecran) | 309 | Démarrateur de Rebobinage |
| 75 | 691056 Rondelle (Volant Magnéto) | 497595 | Vis (Démarrateur de Rebobinage) |
| 95 | 690718 Vis à Sems de Montage de Soupape | 310 | Série de brosse |
| 98 | 699721 Jeu de Vitesse à Vide | 332 | Ecrou de Volant |
| 104 | 694918 Axe de Charnière de Flotteur | 333 | Armature de Magneto |
| 105 | 797410 Soupape de Aiguille | 337 | Vis |
| 108 | 699723 Soupape à Starter | 337 | Bougie d'allumage |
| 117 | 842585 Giclette (Standard) (C.G. et C.D. Giclette) | 358 | Jeu de la Garniture de Moteur |
| 121 | 797890 Jeu de Carburateur | 367 | Vis (attache) |
| 125 | 796997 Carburateur | 377 | Cle |
| 130 | 690993 Soupape de Commande des Gaz | 385 | Vis (Pompe à Essence) |
| 131 | 499805 Jeu-Axe de commande de puissance | 387 | Pompe à Essence |
| 133 | 699724 Ens. de Flotteur de Carburateur | 404 | Rondelle de Levier de Régulateur |
| 135 | 699729 Tube d'essence | 405 | Vis |
| | | 415 | Prise (couverture/arrêt) |
| | | 418 | Plat-Carburateur |
| | | 431 | Coude de prise |
| | | 445 | Cartouche de décapant de Filtre-Air |
| | | 447 | Vis |

TRACTEUR - - NUMÉRO DE MODÈLE 944.604390
MOTEUR "BRIGGS & STRATTON" - NO. DE MODÈLE 44S877, NO. DE TYPE 0013-G1



TRACTEUR - - NUMÉRO DE MODÈLE 944.604390 - - NO. DE MODÈLE 44S877, NO. DE TYPE 0013-G1



TRACTEUR - - NUMÉRO DE MODÈLE 944.604390 MOTEUR "BRIGGS & STRATTON" - NO. DE MODÈLE 44S877, NO. DE TYPE 0013-G1

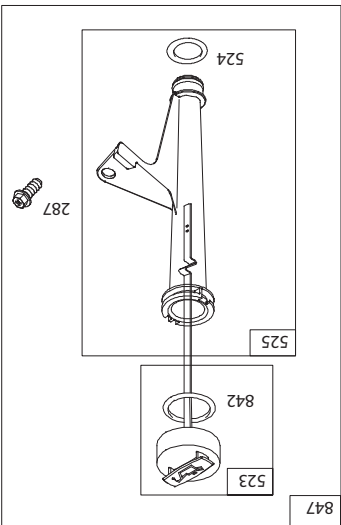
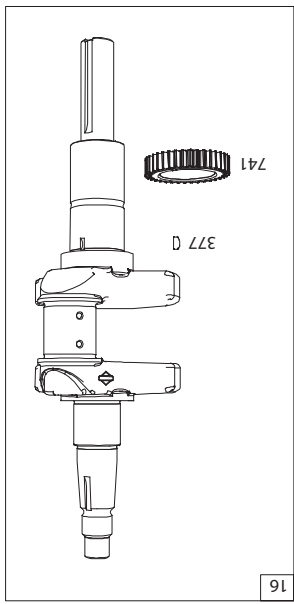
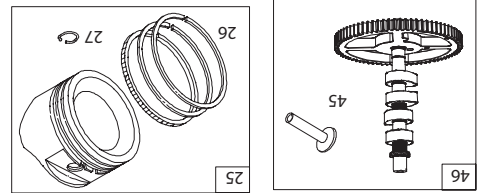
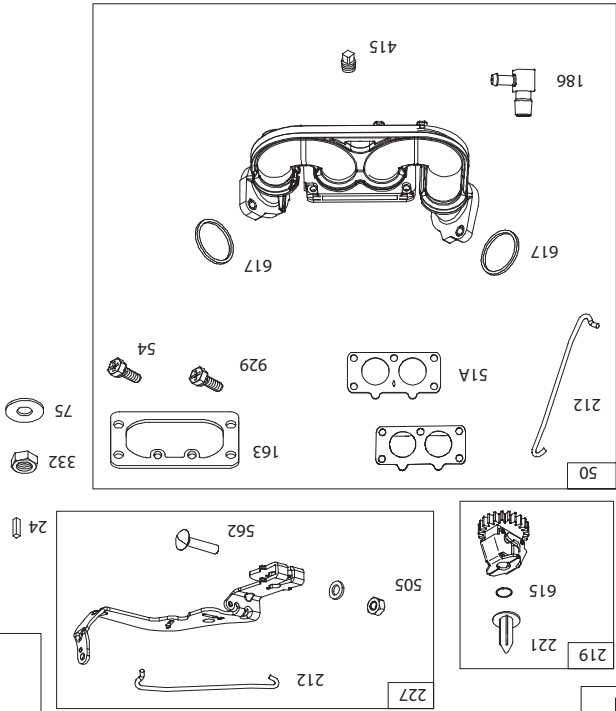
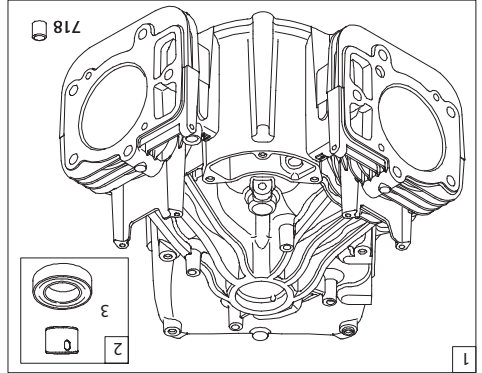
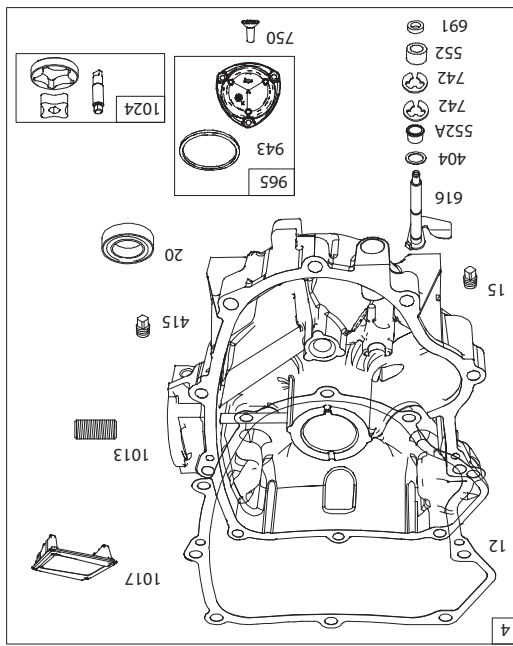
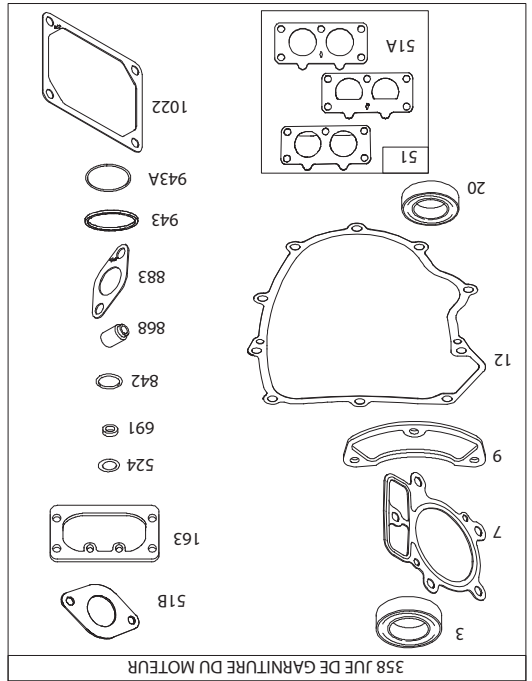
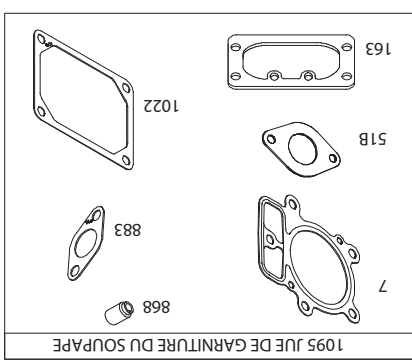
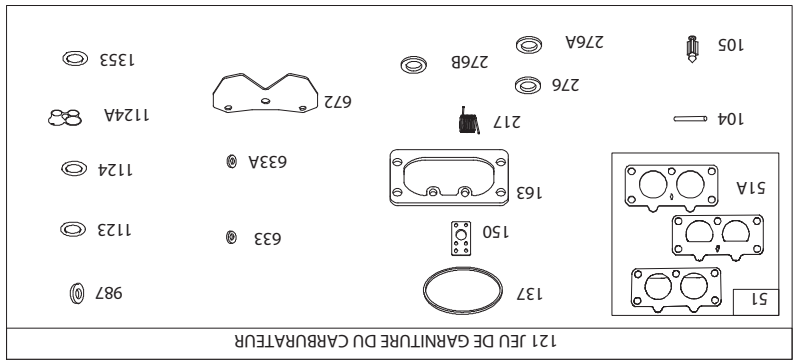
1330 MANUEL DE RÉPARATION

1329 MOTEUR DE RECHANGE

1058 LE MANUEL DU L'OPÉRATEUR

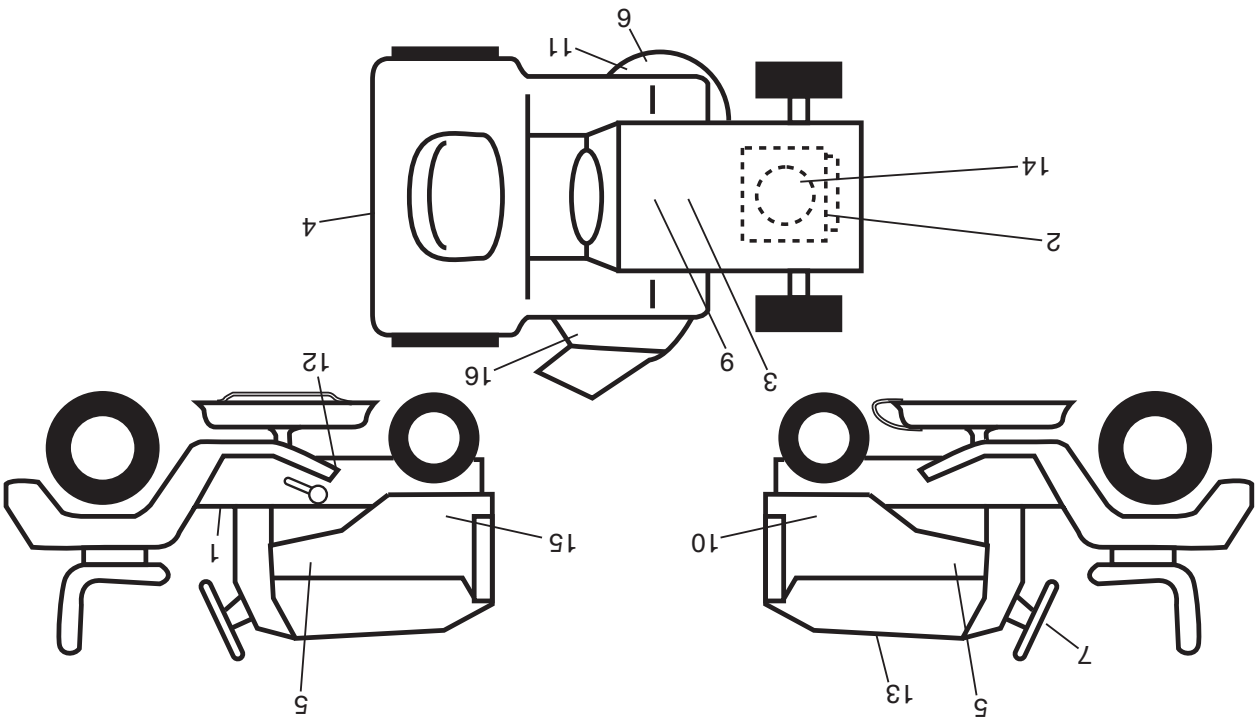
1036 ÉTIQUETTE D'ÉMISSIONS

48 BLOC COURT



TRACTEUR - - NUMÉRO DE MODÈLE 944.604390

DÉCALCOMANIES



NO. DE
REF. PIÈCE

| | | |
|----|-----------|---------------------------------------|
| 1 | 581579001 | Décalcomanie d'avertissement |
| 2 | 580385901 | Décalcomanie du moteur |
| 3 | 448709 | Décalcomanie du tondeuse |
| 4 | 441122 | Décalcomanie de l'aile |
| 5 | 586456301 | Décalcomanie du capot |
| 6 | 581724501 | Décalcomanie du tondeuse |
| 7 | 581894601 | Décalcomanie de direction |
| 9 | 149517 | Décalcomanie d'avertissement du |
| 10 | 586256901 | Décalcomanie, Panneau de côté (C.D.) |
| 11 | 581580002 | Décalcomanie de tondeuse schématique |
| 12 | 421534 | Décalcomanie de courroie trapézoïdale |

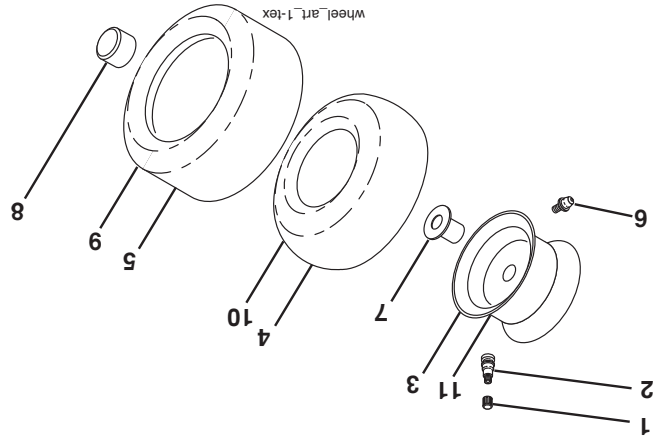
DESCRIPTION

NO. DE
REF. PIÈCE

| | | |
|----|------------|--------------------------------------|
| 13 | 585571401 | Décalcomanie du capot |
| 14 | 585556201 | Décalcomanie du moteur |
| 15 | 586256902 | Décalcomanie, Panneau de côté (C.G.) |
| 16 | 584904601 | Décalcomanie d'avertissement |
| -- | 581724801 | Décalcomanie de dérivation |
| -- | 400981X428 | Coussin de repose-pied C.D. |
| -- | 193226X428 | Coussin de repose-pied C.G. |
| -- | 586618524 | Manuel de l'opérateur |
| -- | 587756224 | Manuel des Pièces de Remplacement |
| -- | | (Anglais/Français) |

DESCRIPTION

ROUES & PNEUS



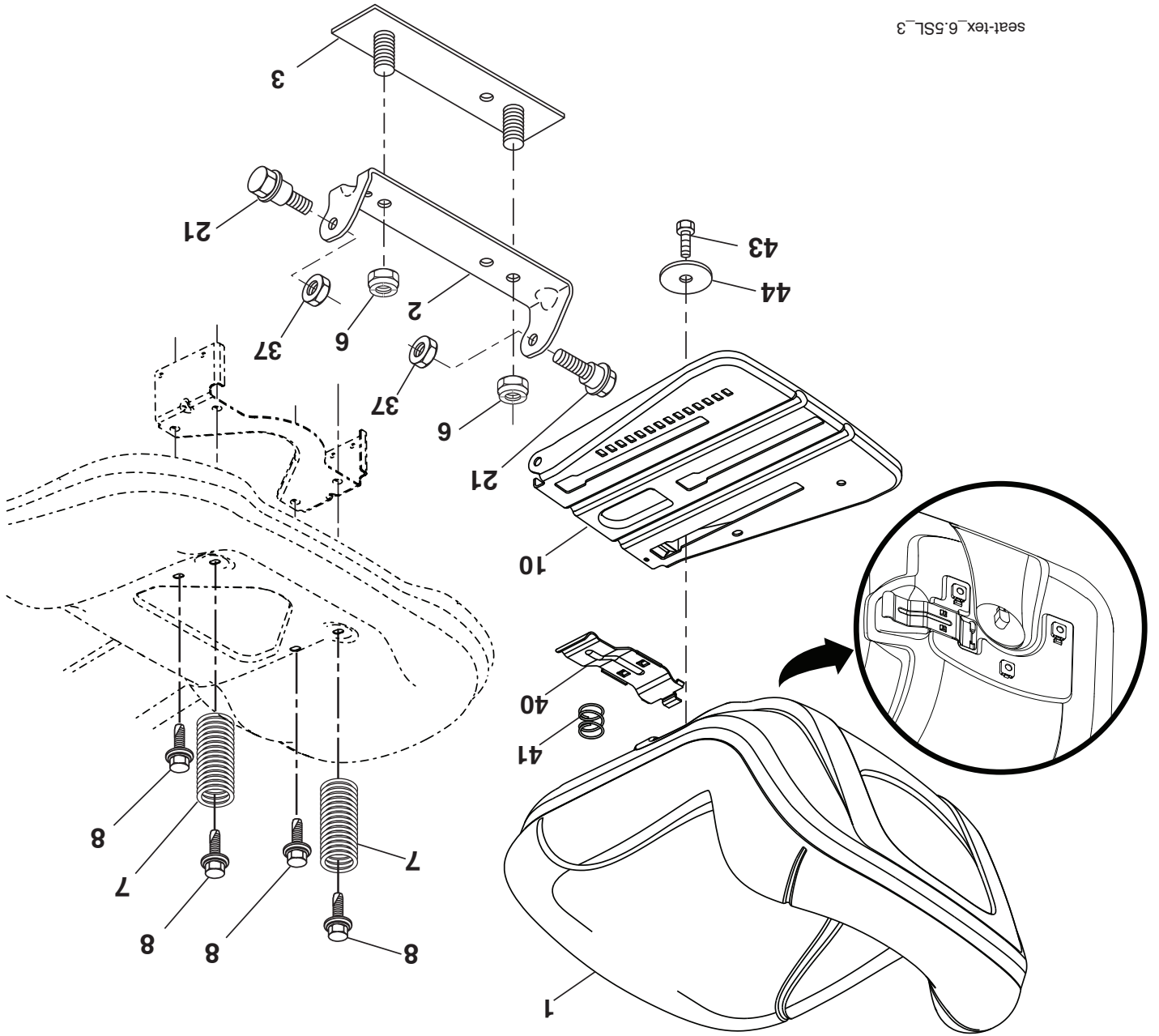
NO. DE
REF. PIÈCE

| | | |
|----|------------|---------------------------------------------------------|
| 1 | 59192 | Capuchon de la valve du pneu |
| 2 | 65139 | Tubulure de la valve |
| 3 | 106732X421 | Ensemble de la jante antérieure |
| 4 | 59904 | Chambre à air antérieure (non fournie) |
| 5 | 106222X | Pneu antérieur 15 x 6.0-6 |
| 6 | 278H | Graisneur (roue antérieure seulement) |
| 7 | 9040H | Palier à bride (roue antérieure seulement) |
| 8 | 104757X428 | Chapeau de l'essieu |
| 9 | 122082X | Pneu arrière 20 x 8-8 |
| 10 | 7152J | Chambre à air arrière (non fournie) |
| 11 | 106108X421 | Ensemble de la jante arrière |
| -- | 144334 | Joint d'étanchéité de pneu (tube de .30L [10 oz. Tube]) |

DESCRIPTION

REMARQUE: Toutes les dimensions de composant sont données en pouces E.-U. -- 1 pouce = 25,4 mm

TRACTEUR - - NUMÉRO DE MODÈLE 944.604390
ENSEMBLE DU SIÈGE



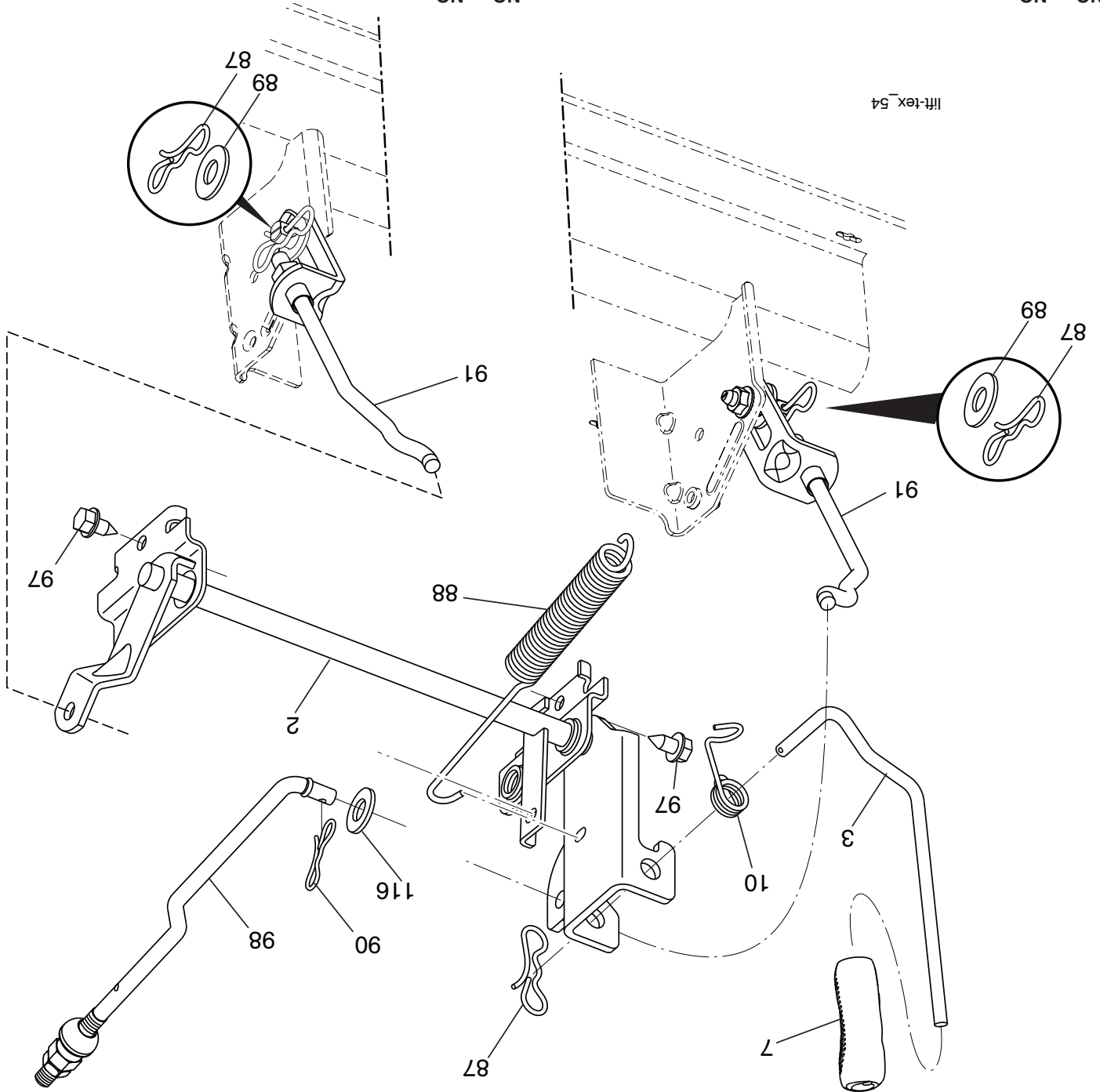
seat-tex_6.5SL_3

| NO. DE PIÈCE | DESCRIPTION |
|--------------|---------------------------------|
| 37 | Écrou frein 5/16-18 unc |
| 40 | Guidon |
| 41 | Ressort de compression |
| 43 | Boulon 3/8-16 x 3/4 |
| 44 | Rondelle 13/32 x 2-3/8 x 12 Ja. |

REMARQUE: Toutes les dimensions de composant sont données en pouces E.-U. -- 1 pouce = 25,4 mm

| NO. DE PIÈCE | DESCRIPTION |
|--------------|--------------------------------------|
| 1 | Siège |
| 2 | Support de pivot |
| 3 | Attache de l'ensemble de l'aile |
| 6 | Écrou frein H avec insert 3/8-16 unc |
| 7 | Ressort de compression du siège |
| 8 | Boulon 5/16-18 unc x 3/4 |
| 10 | Cuvette du siège |
| 21 | Boulon à épaulement 5/16-18 |

TRACTEUR -- NUMÉRO DE MODÈLE 944.604390
LEVAGE DE LA TONDEUSE



lift-tex_54

| NO. | DE | PIÈCE |
|-----|------------|------------------------------------|
| 2 | 422027 | Ensemble de l'arbre |
| 3 | 426896 | Ensemble de l'arbre de levage C.D. |
| 7 | 445060X421 | Poignée cannelée du levier |
| 10 | 196314 | Ressort de Torsion |
| 87 | 194209 | Goupille fendue 7/16 |
| 88 | 410710 | Ressort de retenue |
| 89 | 19191912 | Rondelle |
| 90 | 194208 | Goupille fendue 5/16 |

DESCRIPTION

Ensemble de l'arbre de levage C.D.
 Poignée cannelée du levier
 Ressort de Torsion
 Goupille fendue 7/16
 Ressort de retenue
 Rondelle
 Goupille fendue 5/16

NO. DE PIÈCE

| NO. | DE | PIÈCE |
|-----|----------|---------------------------------|
| 91 | 195181 | Raccord de levage |
| 97 | 1700612 | Vis 3/8-16 x 3/4 |
| 98 | 195264 | Raccord de levage |
| 116 | 19151516 | Rondelle 15/32 x 15/16 x 16 Ja. |

DESCRIPTION

Raccord de levage
 Vis 3/8-16 x 3/4
 Raccord de levage
 Rondelle 15/32 x 15/16 x 16 Ja.

REMARQUE: Toutes les dimensions de composant sont données en pouces E.-U. -- 1 pouce = 25,4 mm.

TRACTEUR - - NUMÉRO DE MODÈLE 944.604390

CARTER DE TONDEUSE

| NO. DE RÉF. PIÈCE | DESCRIPTION | NO. DE RÉF. PIÈCE | DESCRIPTION |
|-------------------|-------------|-------------------|-------------|
| 1 | 197216X421 | 52 | 193197 |
| 6 | 197248 | 54 | 72110612 |
| 7 | 587452401 | 97 | 178515 |
| 11 | 180054 | 98 | 196105 |
| 12 | 404851 | 113 | 72110508 |
| 13 | 587256401 | 114 | 197451 |
| 14 | 187281 | 116 | 193406 |
| 15 | 585323901 | 117 | 174873 |
| 16 | 19131312 | 120 | 19132012 |
| 17 | 72110505 | 122 | 187557 |
| 18 | 72140505 | 185 | 73900700 |
| 19 | 194208 | 187 | 195161 |
| 20 | 174378 | 188 | 73900500 |
| 21 | 73680500 | 189 | 195185 |
| 22 | 174493 | 190 | 196539 |
| 24 | 105304X | 194 | 74490736 |
| 25 | 178102 | 241 | 152927 |
| 26 | 110452X | 242 | 415598 |
| 27 | 180655X428 | -- | 416405 |
| 29 | 131491 | -- | 587125401 |
| 30 | 173984 | | |
| 32 | 153532 | | |
| 33 | 400234 | | |
| 36 | 584309301 | -- | 429653 |
| 39 | 197380 | | |
| 43 | 196065 | | |
| 46 | 137729 | | |
| 47 | 197242 | | |
| 48 | 197379 | | |
| 49 | 73900600 | | |
| 50 | 17490636 | | |

REMARQUE: Toutes les dimensions de composant sont données en pouces E.-U. --1 pouce = 25,4 mm.

NO. DE RÉF. PIÈCE DESCRIPTION

52 193197 Poulie de renvoi

54 72110612 Boulon 3/8-16 x 1-1/2 Gr. 5

97 178515 Rondelle

98 196105 Ressort

113 72110508 Boulon 5/16-18 x 3/4

114 197451 Tige

116 193406 Boulon

117 174873 Roue de jauge

120 19132012 Rondelle 13/32 x 1-1/4 x 12 Ja.

122 187557 Douille

185 73900700 Écrou 7/16-14 Gr. 5

187 195161 Fixation à goujon

188 73900500 Écrou

189 195185 Suspension arrière

190 196539 Boulon

194 74490736 Boulon

241 152927 Vis # 10-32.5. 3/8 Flange

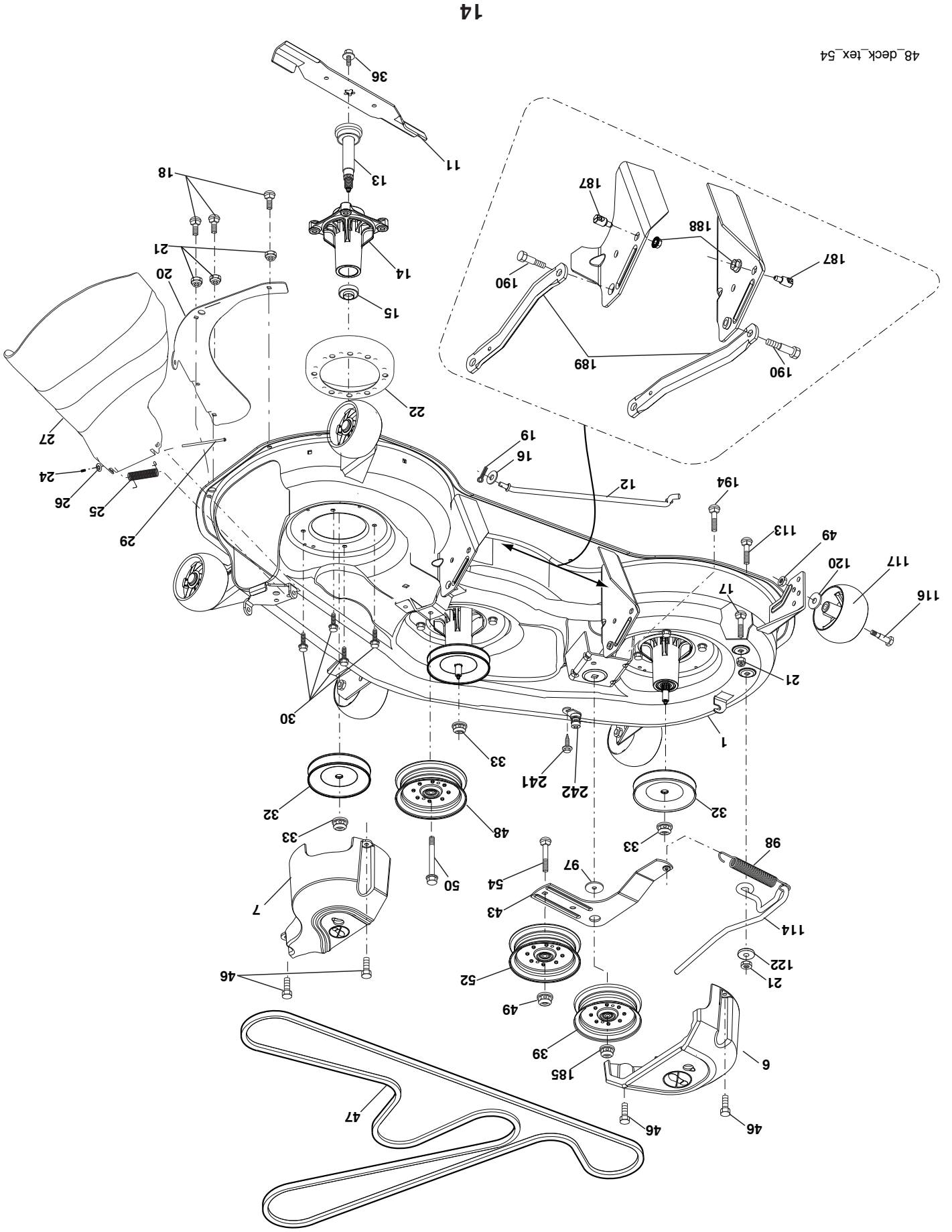
242 415598 Accord de lavage

-- 416405 Accouplement par raccord

-- 587125401 Ensemble du mandrin (inclut boîtier (#14), ensemble arbré (#13), et palier (#15) seulement - poulie/écrou/rondelle et lame, boulon/rondelle ne pas inclut)

429653 Remplacer Tondeuse

TRACTEUR - - NUMÉRO DE MODÈLE 944.604390
CARTER DE TONDEUSE



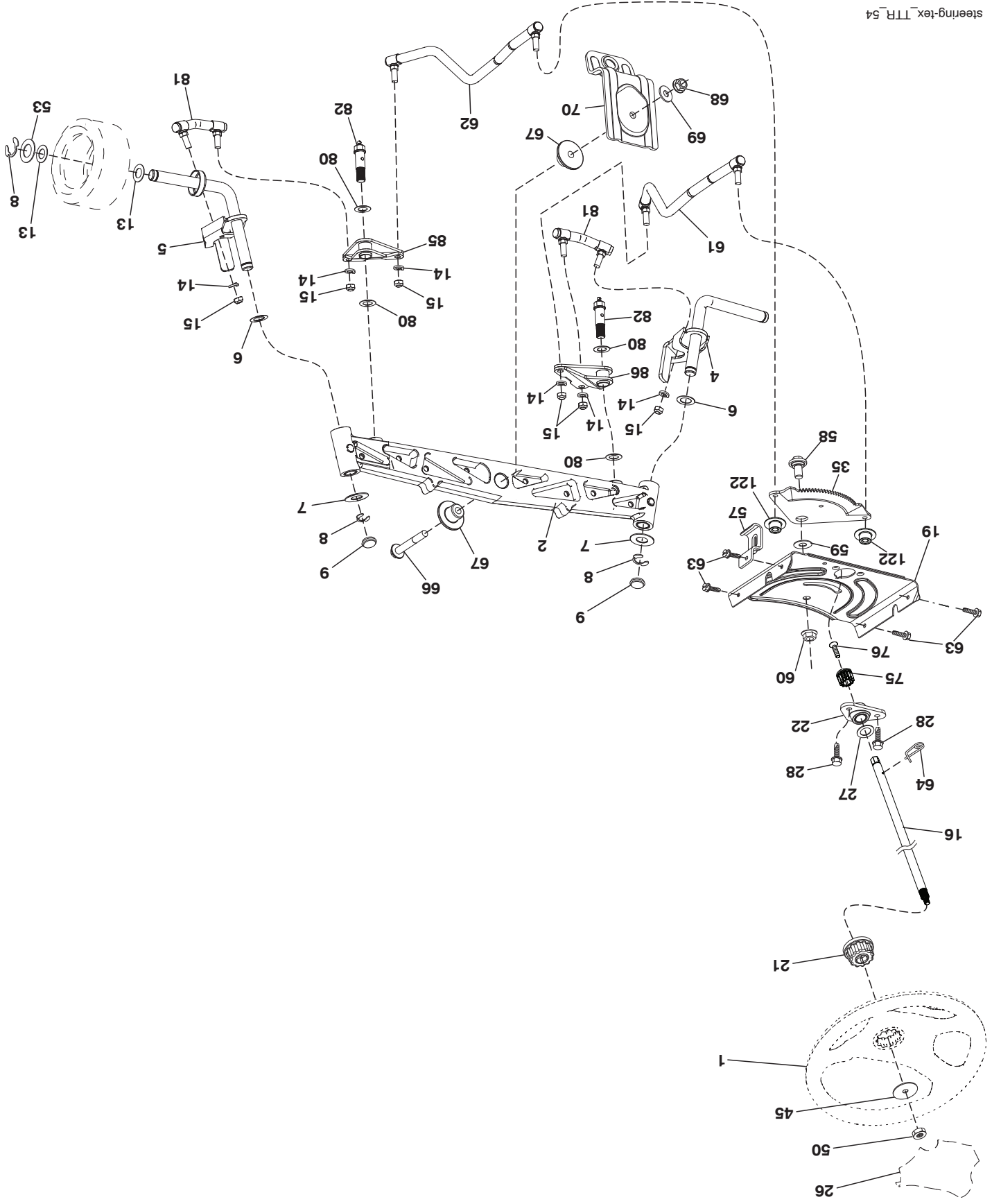
TRACTEUR - - NUMÉRO DE MODÈLE 944.604390
ENSEMBLE DE LA DIRECTION

| NO. DE PIÈCE | DESCRIPTION | RÉF. PIÈCE |
|--------------------|---------------------------------|------------|
| 1 | Volant de direction | 414851X421 |
| 2 | Ensamble d'axe d'avant | 436870 |
| 4 | Ensamble de la broche C.G. | 436873 |
| 5 | Ensamble de la broche C.D. | 436874 |
| 6 | Rondelle clip n°T5304-75 | 6266H |
| 7 | Rondelle 25/32 x 1-5/8 x 16 Ja. | 121748X |
| 8 | Anneau d'agrafe #T5304-75 | 1200029 |
| 9 | Spindle Cape | 184946X667 |
| 13 | Rondelle | 121749X |
| 14 | Rondelle 3/8 | 10040600 |
| 15 | Écrou 3/8-24 un† | 73540600 |
| 16 | Arbre de direction | 587016002 |
| 19 | Arbre de plaque | 194729 |
| 21 | Adaptateur de volant | 586840201 |
| 22 | Roulement | 585029901 |
| 26 | Insertion de volant | 414852X421 |
| 27 | Rondelle 21/32 x 1 x 16 Ja. | 19211616 |
| 28 | Vis 3/8-16 x 3/4 | 17000612 |
| 35 | Vitesse de plat de secteur | 440770 |
| 45 | Rondelle 3/8 ID 2-3/8OD 12 Ja. | 587016401 |
| 50 | Écrou 3/8-16 unc | 73900600 |
| 53 | Rondelle : 793 x 1.637 x .060 | 188967 |
| 57 | Support | 197246 |
| 58 | Boulon | 194747 |
| 59 | Rondelle | 194748 |
| 60 | Écrou 5/8-11 | 73971000 |
| 61 | Tige, C.G. | 436884 |
| 62 | Tige, C.D. | 436885 |
| 63 | Vis 5/16-18 x 3/4 | 17000512 |
| 64 | Ressort | 199849 |
| 66 | Boulon 7/16-14 x 3 Serr | 71020748 |
| 67 | Douille | 194737 |
| 68 | Écrou 7/16-14 Gr. 5 | 73900700 |
| 69 | Rondelle 1.5 x .505 x .118 | 199162 |
| 70 | Support | 196197 |
| 75 | Pignon | 580683701 |
| 76 | Vis | 580683601 |
| 80 | Rondelle | 1370H |
| 81 | Réticulation C.G. | 436887 |
| 82 | Pivot Boulon | 442147 |
| 85 | Pivot C.G. | 441873 |
| 86 | Pivot C.D. | 441872 |
| 122 | Chapeau | 444962 |

REMARQUE: Toutes les dimensions de composant sont données en pouces E.-U. --1 pouce = 25,4 mm

TRACTEUR - - NUMÉRO DE MODÈLE 944.604390

ENSEMBLE DE LA DIRECTION



TRACTEUR - - NUMÉRO DE MODÈLE 944.604390

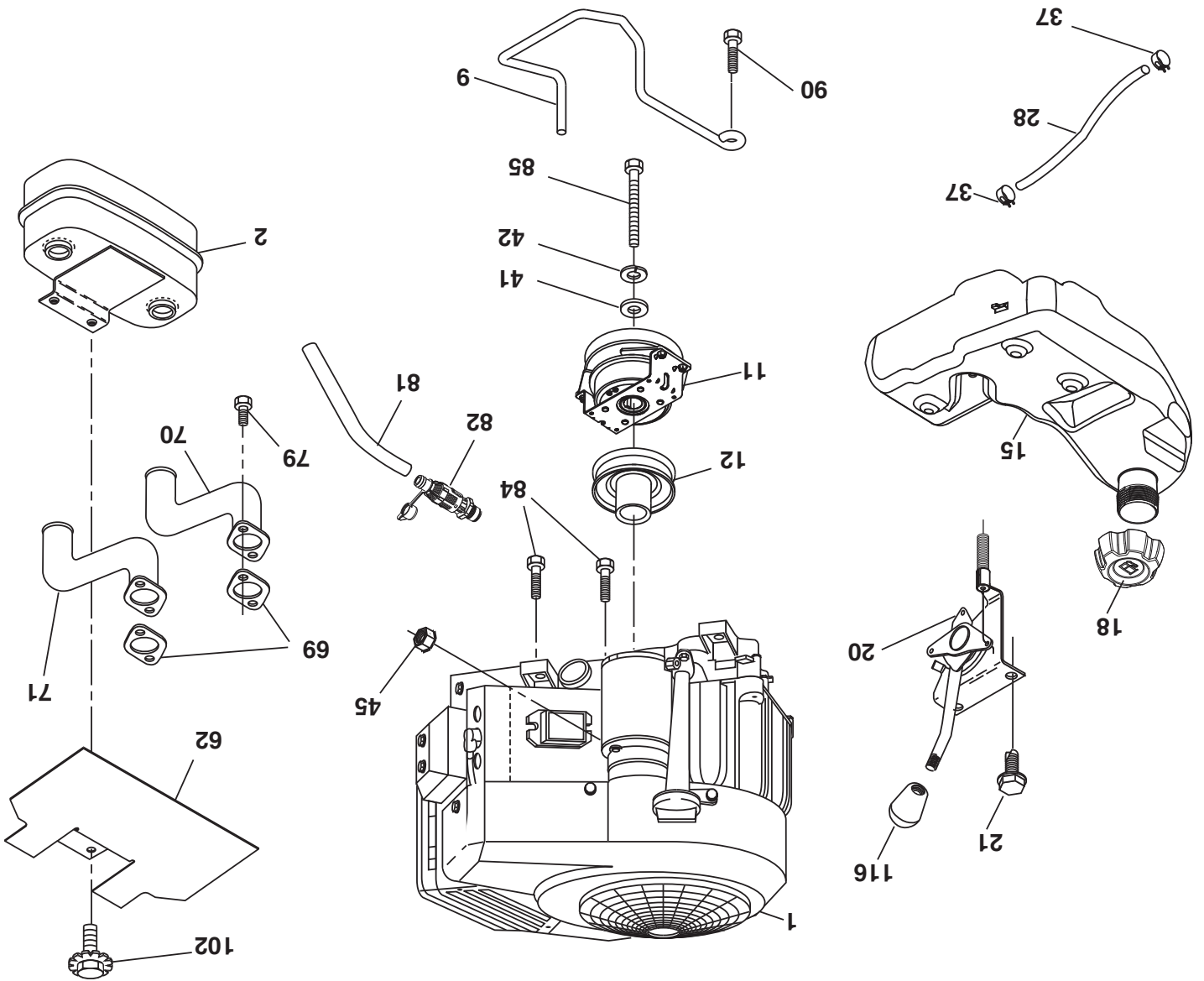
MOTEUR

| NO. DE RÉF. PIÈCE | DESCRIPTION |
|-------------------|------------------------------------------------------------------------------------------|
| 1 | Moteur B&S - No. de modèle 44S877-0013-G1 (586190701) (Voir la assemblage de moteur.) |
| 2 | Silencieux |
| 9 | Ensemble de la guide courroie du moteur |
| 11 | Embrayage électrique |
| 12 | Pouille |
| 15 | Réservoir d'essence 3.0 |
| 18 | Chapeau |
| 20 | Commande des gaz/starter |
| 21 | Vis |
| 28 | Conduite d'essence |
| 29 | Jeu de pare - étincelles |
| 37 | Bride de serrage de tuyau |
| 41 | Rondelle 1-1/2 OD x 15/32 ID x .250 |
| 42 | Rondelle 7/16 |
| 45 | Ecrou 1/4-20 unc |
| 62 | Déflecteur de débris |
| 69 | Garniture de silencieux |
| 70 | Tube C.G. |
| 71 | Tube C.D. |
| 79 | Vis 5/16-18 x 3/4 |
| 81 | Tube de vidange d'huile |
| 82 | Bouchon |
| 84 | Vis 3/8-16 x 1 |
| 85 | Boulon 7/16-20 x 3.75 |
| 90 | Vis 3/8-16 x 1 |
| 102 | Vis 5/16-18 x 3/4 |
| 116 | Boulon 3/8-16 |

REMARQUE: Toutes les dimensions de composant sont données en pouce d'E.-U. - - 1 pouce = 25,4 mm.

Informations concernant la puissance théorique du moteur

La puissance brute pour chaque Modèle de moteur à essence est indiquée conformément au code J1940 (procédure de calcul de la puissance et du couple des petits moteurs) de la SAE (Society of Automotive Engineers) et les performances théoriques ont été obtenues et corrigées selon SAE J1995 (révision 2002-05). Les valeurs de couple sont calculées sur la base de 3060tr/min et celles de puissance sur la base de 3600tr/min. La puissance brute réelle du moteur peut être plus faible notamment à cause des conditions de fonctionnement et des variations d'un moteur à l'autre. Compte tenu de la grande variété de machines sur lesquelles nos moteurs sont utilisés et du nombre de problèmes environnementaux applicables au fonctionnement des équipements, il se peut que le moteur à essence ne développe sa puissance théorique une fois qu'il est monté sur une machine particulière (puissance nette ou réelle «sur site»). Cette différence s'explique par un grand nombre de facteurs, tels que (liste non limitative): accessoires (filtre à air, échappement, admission, refroidissement, carburateur, pompe à essence, etc.), limites d'utilisation, conditions ambiantes d'utilisation (température, humidité, altitude) et variations d'un moteur à l'autre. Pour des raisons de fabrication et de capacité limitées, Briggs & Stratton est susceptible de remplacer ce Modèle par un moteur plus puissant.



TRACTEUR - - NUMÉRO DE MODÈLE 944.604390

ENTRAÎNEMENT

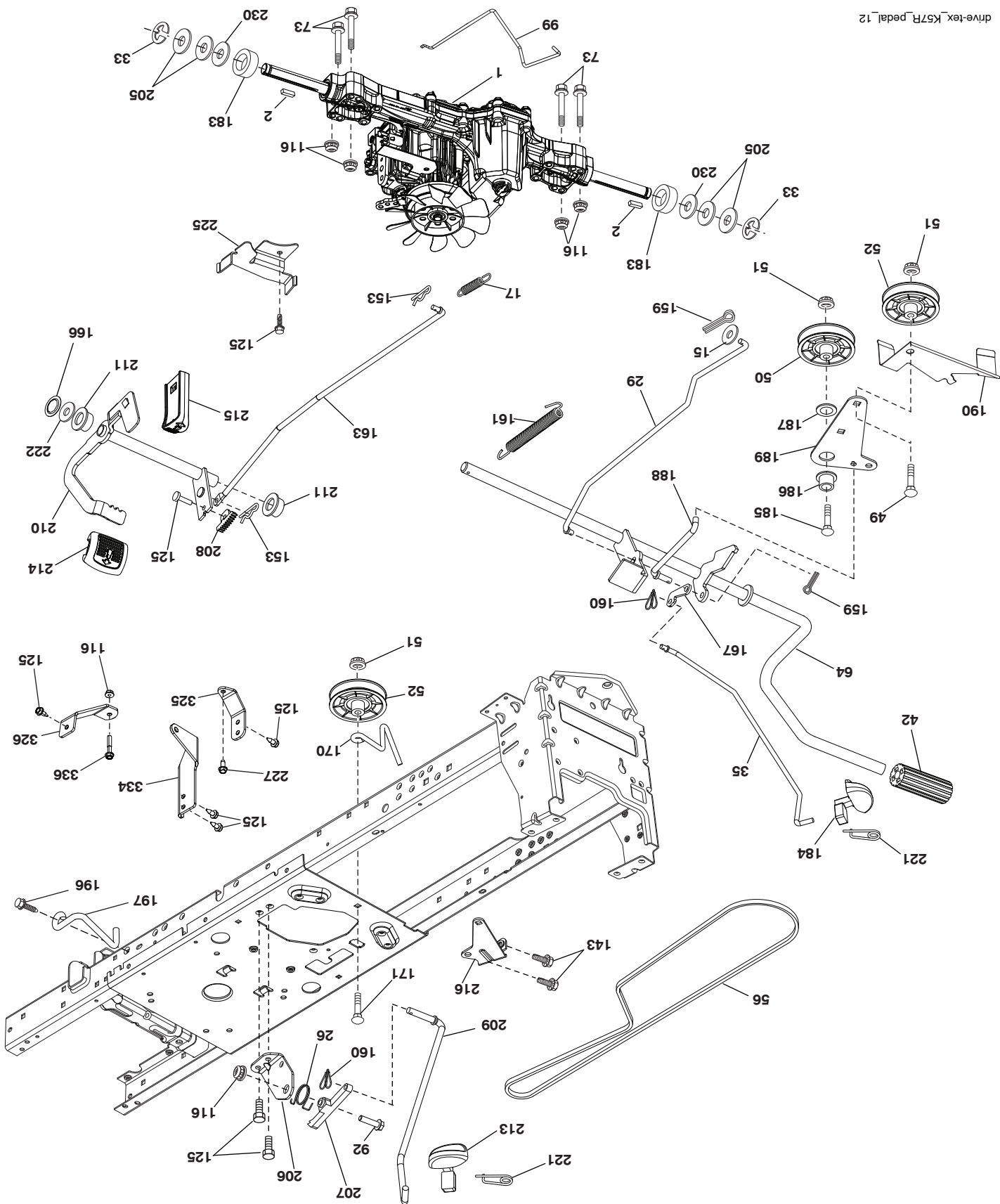
| NO. | DE | REF. | DESCRIPTION |
|-----|-----------|------|--------------------------------------|
| 1 | --- | --- | Transmission, Tufftorq K57R (437814) |
| 2 | 123583X | | Cle |
| 15 | 19131316 | | Rondelle 13/32 x 13/16 x 16 Ja. |
| 17 | 413678 | | Ressort |
| 26 | 199679 | | Ressort |
| 29 | 403806 | | Tige du frein |
| 33 | 1200001 | | Bague en E |
| 35 | 583864501 | | Tige du frein de stationnement |
| 42 | 8883R | | Couverture de la pédale |
| 49 | 72110614 | | Boulon |
| 50 | 194327 | | Poulie du galet-tendeur |
| 51 | 73900600 | | Ecroû 3/8-16 |
| 52 | 194326 | | Galet-tendeur |
| 56 | 130969 | | Ceinture trapézoïdale |
| 64 | 197865 | | Axe |
| 73 | 74490540 | | Boulon 5/16-18 Gr. 5 |
| 92 | 74760520 | | Boulon 5/16-18 unc x 1.25 |
| 99 | 415742 | | Tige |
| 116 | 73900500 | | Ecroû 5/16-18 |
| 125 | 17000512 | | Vis 5/16-18 x 3/4 |
| 143 | 17490508 | | Vis 5/16-18 x 1/2 |
| 153 | 4497H | | Ressort |
| 159 | 76020412 | | Pin 1/8 x 3/4 |
| 160 | 169484 | | Goupille fendue |
| 161 | 105709X | | Ressort |
| 163 | 448275 | | De commande triangle de pédale |
| 166 | 429164 | | Ecroû |
| 167 | 405257 | | Frein à main |
| 170 | 194322 | | Garde |
| 171 | 72110616 | | Boulon 3/8-16 unc |
| 183 | 137057 | | Axe |

| NO. | DE | REF. | DESCRIPTION |
|-----|------------|------|------------------------------------------|
| 184 | 196439X428 | | Poignée de frein à main |
| 185 | 72110622 | | Boulon |
| 186 | 194321 | | Arrêtoir d'entretoise |
| 187 | 19133210 | | Rondelle |
| 188 | 194323 | | Lien d'embrayage |
| 189 | 194317 | | Commande au sol de balancier |
| 190 | 194318 | | Garde |
| 196 | 17000616 | | Vis 3/8-16 x 1 |
| 197 | 585658601 | | Anti-rotation d'embrayage de lien |
| 205 | 121748X | | Rondelle |
| 206 | 448596 | | Support |
| 207 | 197868 | | Commandez le verrou de croisière |
| 208 | 197869 | | Boulon-Commandez la croisière |
| 209 | 199592 | | Commandez la croisière Rod |
| 210 | 400980 | | Ensemble culbuteur de commande de pédale |
| 211 | 120183X | | Roulement en nylon |
| 213 | 196441X428 | | Commandez le bouton de croisière |
| 214 | 421263 | | Pédale vers l'avant |
| 215 | 197301X428 | | Pédale renversée |
| 216 | 196131 | | Poulie du galet-tendeur |
| 221 | 403187 | | Ressort |
| 222 | 79212010 | | Rondelle |
| 225 | 403319 | | Garde |
| 230 | 188967 | | Rondelle |
| 325 | 585668502 | | Support |
| 326 | 585670802 | | Support |
| 334 | 585882202 | | Support |
| 336 | 587259601 | | Boulon |

REMARQUE: Toutes les dimensions de composant sont données en pouces E.-U. --1 pouce = 25,4 mm

TRACTEUR - - NUMÉRO DE MODÈLE 944.604390

ENTRAÎNEMENT

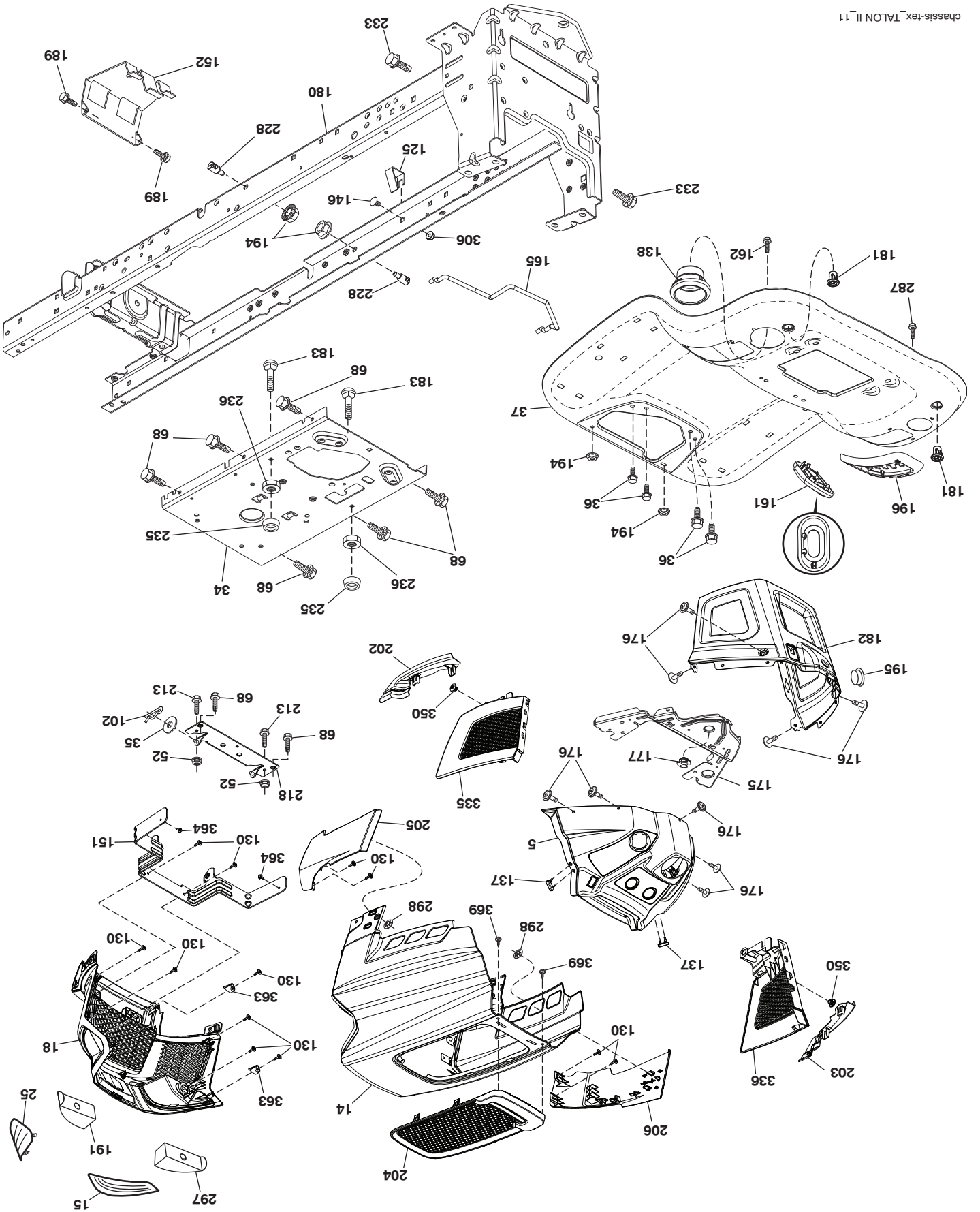


TRACTEUR - - NUMÉRO DE MODÈLE 944.604390

CHÂSSIS/ENCEINTES

| NO. | DE | PIÈCE | DESCRIPTION |
|-----|----|------------|------------------------------------------|
| 5 | | 580485811 | Tableau de bord |
| 14 | | 580354407 | Capot |
| 15 | | 580485601 | Lentille C.G. |
| 18 | | 580485303 | Calandre |
| 25 | | 580484501 | Lentille C.D. |
| 34 | | 580910801 | Plaque de moteur |
| 35 | | 191111116 | Rondelle 11/32 x 11/16 x 16 Ja. |
| 36 | | 17060512 | Vis 5/16-18 x 3/4 |
| 37 | | 414878X428 | Aile |
| 52 | | 73680500 | Ecrou 5/16-18 |
| 68 | | 17490508 | Vis 5/16-18 x 1/2 |
| 102 | | 4497H | Arrêtir 1" |
| 125 | | 581684801 | Pince |
| 130 | | 416358 | Vis # 10 x .750 |
| 137 | | 407590 | Pare-Chocs |
| 138 | | 193224X428 | Porte-gobelet |
| 146 | | 581857901 | Bouillon |
| 151 | | 580663302 | Support |
| 152 | | 199535 | Deflecteur |
| 161 | | 193229X428 | Fenêtre de carburant |
| 162 | | 142432 | Vis 1/4 x 1/2 |
| 165 | | 196826 | Support réservoir d'essence |
| 175 | | 196304 | Pièce d'entretoisement |
| 176 | | 400776 | Vis 10-24 x 5/8 |
| 177 | | 195228 | Coussinet |
| 180 | | 195457 | Châssis |
| 181 | | 193102X428 | Coussinet |
| 182 | | 406859 | Tableau de bord |
| 183 | | 74520520 | Bouillon 5/16-18 x 1-1/4 |
| 189 | | 17000512 | Vis 5/16-18 x 3/4 |
| 191 | | 580485101 | Phare/Insert Lentille Réfléchissant C.D. |
| 194 | | 73900500 | Ecrou 5/16-18 |
| 195 | | 401556X428 | Bouchon |
| 196 | | 431659 | Ensemble de la console |
| 202 | | 580485002 | Basse bouclier de garniture C.D. |
| 203 | | 580484802 | Basse bouclier de garniture C.G. |
| 204 | | 580485002 | Ventilation |
| 205 | | 580843707 | Ensemble d'angle C.D. |
| 206 | | 580843807 | Ensemble d'angle C.G. |
| 213 | | 74760512 | Bouillon 5/16-18 unc x 3/4 |
| 218 | | 580897301 | Ensemble de capuche pivot |
| 228 | | 195161 | Fermeture |
| 233 | | 196539 | Bouillon |
| 235 | | 406129 | Entretoise |
| 236 | | 73930500 | Contre-écrou 5/16-18 |
| 287 | | 17600406 | Vis 1/4-20 x 3/8 |
| 297 | | 580484901 | Phare/Insert Lentille Réfléchissant C.G. |
| 298 | | 580851001 | Ecrou |
| 306 | | 73900600 | Contre-écrou |
| 335 | | 580484602 | Panneau de clôture de côté C.D. |
| 336 | | 580484402 | Panneau de clôture de côté C.G. |
| 350 | | 445143 | Pince |
| 363 | | 580724501 | Chapeau |
| 364 | | 17060408 | Vis |
| 369 | | 421756 | Vis #10 x 0.500 |
| - | | 421264 | Pare-chocs |

REMARQUE: Toutes les dimensions de composant sont données en pouces E.-U. --1 pouce = 25,4 mm



TRACTEUR - - NUMÉRO DE MODÈLE 944.604390
CHÂSSIS/ENCEINTES

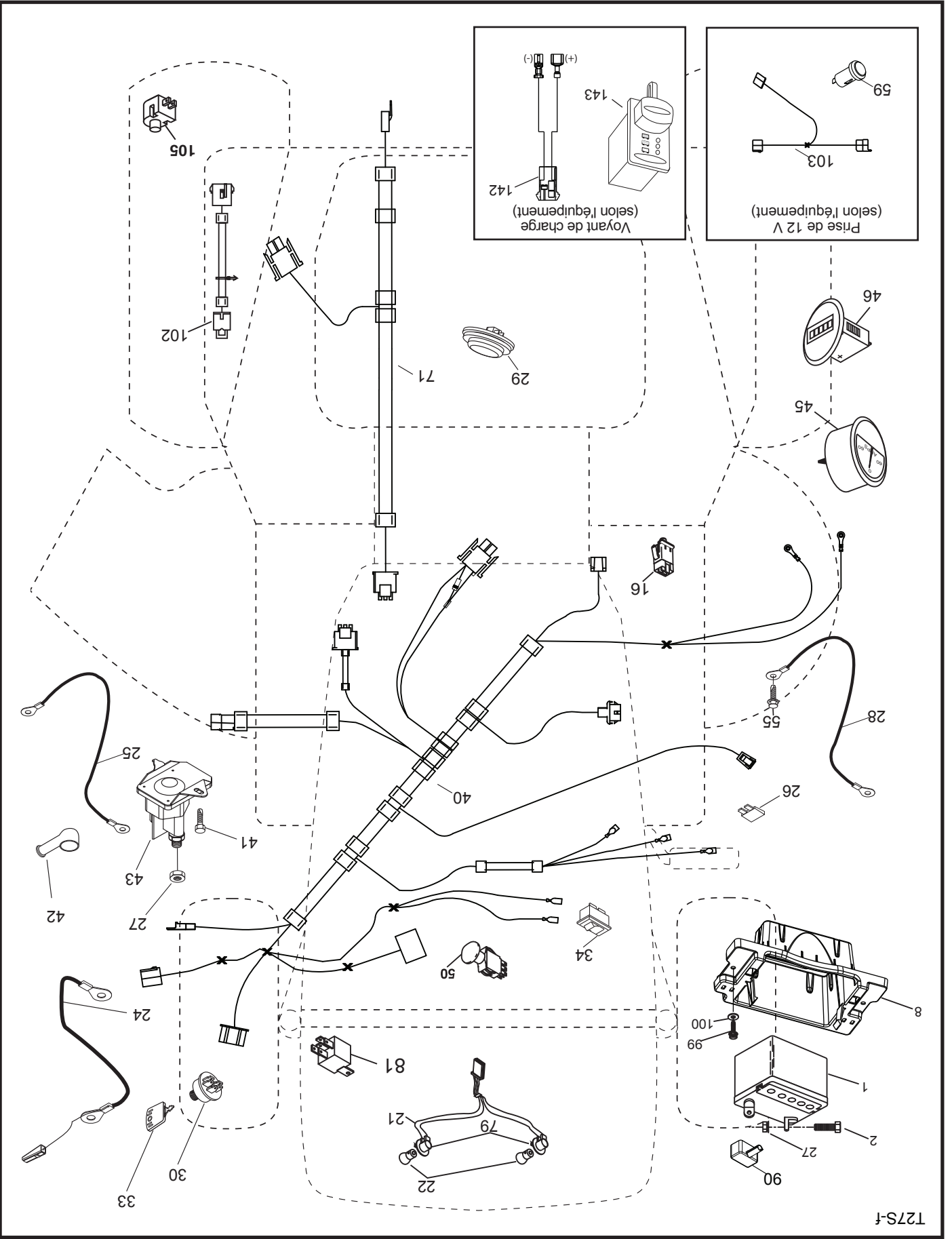
| NO. | DE | RÉF. | PIÈCE | DESCRIPTION |
|-----|----|-----------|----------------------------------------------------------|-------------|
| 1 | | 163465 | Batterie | |
| 2 | | 74760412 | Boulon 1/4-20 unc x 3/4 | |
| 8 | | 587205101 | Bac de batterie | |
| 16 | | 176138 | Interrupteur de verrouillage pressé | |
| 21 | | 400252 | Harnais des prises de courant des phares | |
| 22 | | 4152J | Ampoule N°1156 | |
| 24 | | 585555601 | Câble de batterie | |
| 25 | | 585555501 | Câble de batterie de 6 ja. avec un fil de 16 po. - rouge | |
| 26 | | 175158 | Fusible | |
| 27 | | 73510400 | Ecroû 1/4-20 unc | |
| 28 | | 416588 | Câble de masse de 6 ja. de 21" - noir | |
| 29 | | 401545 | Interrupteur | |
| 30 | | 193350 | Contacteur d'allumage | |
| 33 | | 411934 | Cle/Chaîne | |
| 34 | | 110712X | L'Interrupteur des phares | |
| 40 | | 402167 | Harnais tableau de bord | |
| 41 | | 17720408 | Vis 1/4-20 x 1/2 | |
| 42 | | 131563 | Couverture de borne | |
| 43 | | 192507 | Solénoïde | |
| 45 | | 587553902 | Ampèremètre rond | |
| 46 | | 587554002 | Compteur horaire rond | |
| 50 | | 174653 | Interrupteur, PTO | |
| 55 | | 17060512 | Vis 5/16-18 x 3/4 | |
| 71 | | 194276 | Harnais des câbles d'allumage | |
| 79 | | 175242 | Douille ensemble ampoule torsion | |
| 81 | | 409615 | Harnais | |
| 90 | | 435395 | Couverture | |
| 99 | | 17670412 | Vis 1/4-20 x 3/4 | |
| 100 | | 19091416 | Rondelle 9/32 x 7/8 x 16 Ja. | |
| 102 | | 404454 | Harnais K46 | |
| 105 | | 407568 | Interrupteur, Inverse | |

REMARQUE: Toutes les dimensions de composant sont données en pouces E.-U. --1 pouce = 25,4 mm

TRACTEUR - - NUMÉRO DE MODÈLE 944.604390

ELECTRIQUE

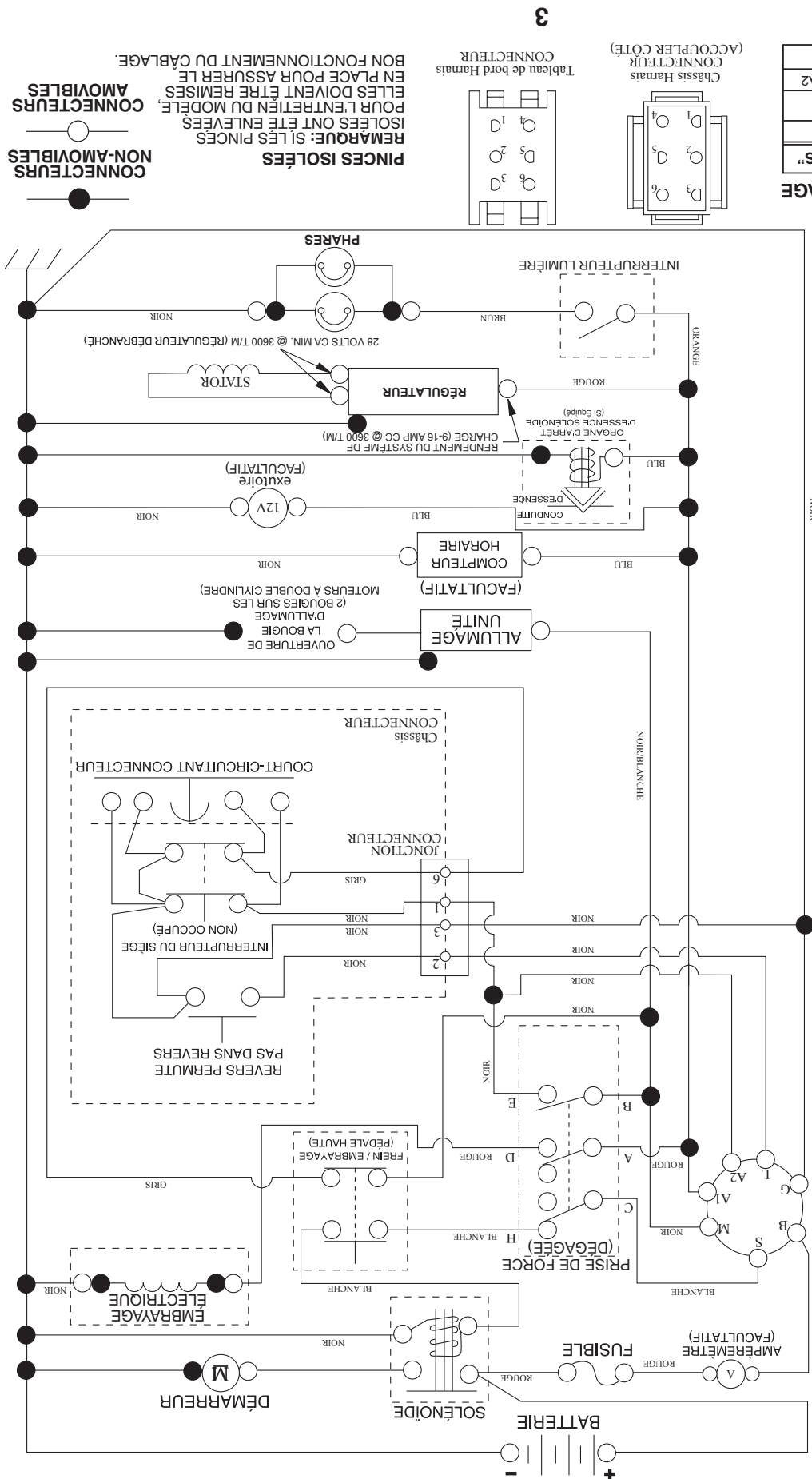
T27S-f



TRACTEUR - - NUMÉRO DE MODÈLE 944.604390

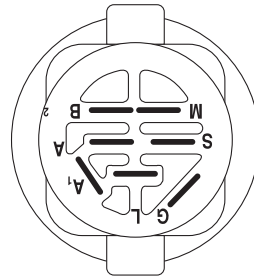
SCHEMA

SC112-F

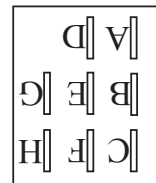


CONTACTEUR D'ALLUMAGE

| POSITION | CIRCUIT "FAITS" |
|-----------------|-----------------|
| ARRÊT | M + G + A1 |
| MARCHE/ALLUMAGE | B + A1 |
| MARCHE | B + A1 |
| DÉMARRAGE | B + S + A1 |



PRISE DE FORCE INTERRUPTEUR (ACCOUPLER CÔTÉ)



Chassis Hamais CONNEXEUR (ACCOUPLER CÔTÉ)

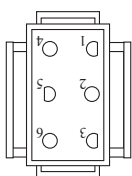
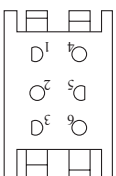


Tableau de bord Hamais CONNEXEUR



3

PINCES ISOLÉES
REMARQUE: SI LES PINCES ISOLÉES ONT ÉTÉ ENLEVÉES POUR L'ENTRÉTIEN DU MODÈLE, ELLES DOIVENT ÊTRE REMISES EN PLACE POUR ASSURER LE BON FONCTIONNEMENT DU CÂBLAGE.

CONNECTEURS AMOVIBLES

CONNECTEURS NON-AMOVIBLES

COMMENT UTILISER CE MANUEL

Ce manuel a été dessiné pour fournir le client avec les moyens d'identification des pièces de détails du tracteur quand il/elle a besoin de commander les pièces de rechange. Les illustrations ne peuvent pas représenter exactement le modèle que vous avez acheté. N'utilisez pas ce manuel comme un guide dans le montage et/ou démontage de votre tracteur. La visserie montrée est plus grande pour faciliter l'identification.

Chaque tracteur a un numéro de modèle particulier.

Le numéro de modèle du produit se trouvera sur l'aile, dessous le siège.

Lorsque vous commandez des pièces de rechange, donnez toujours les renseignements suivants:

- Produit - "TRACTEUR"
- NUMÉRO DU MODÈLE - "944.604390"
- Numéro de la Pièce
- Description de la Pièce

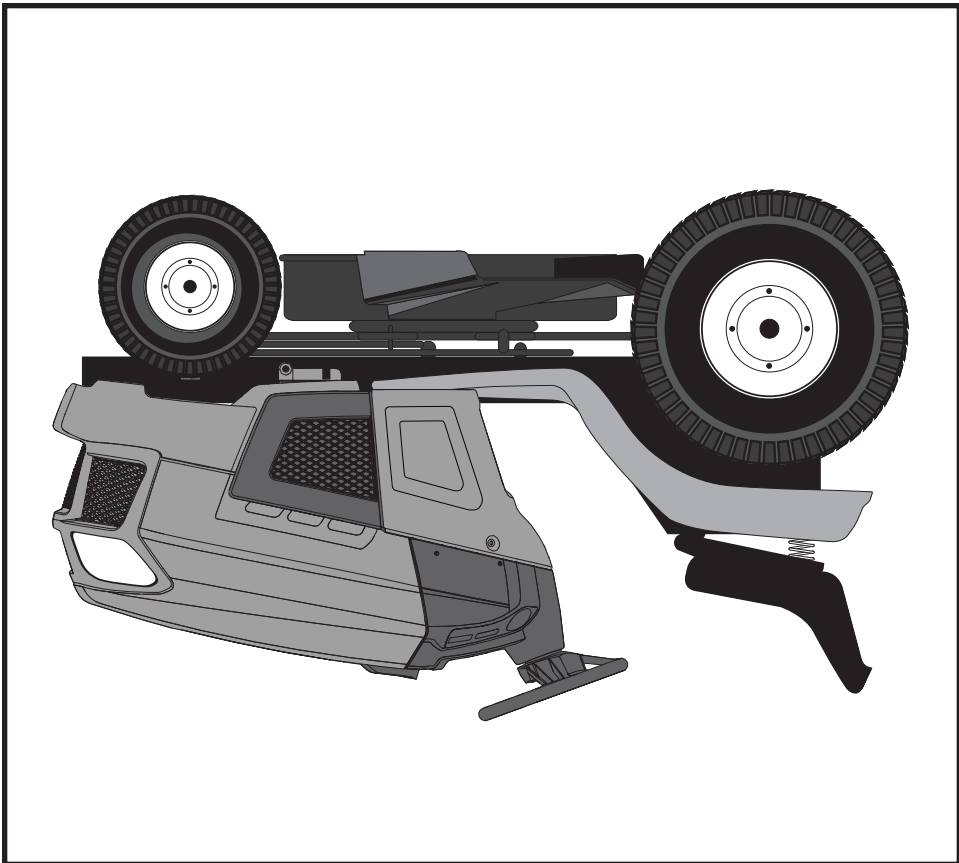
TABLE DE MATIERES

| | |
|----------------------------------------|-------|
| SCHEMA..... | 3 |
| ELECTRIQUE..... | 4-5 |
| CHASSIS/ENCEINTES..... | 6-7 |
| ENTRAÎNEMENT..... | 8-9 |
| MOTEUR..... | 10-11 |
| ENSEMBLE DE LA DIRECTION..... | 12-13 |
| CARTER DE TONDEUSE..... | 14-15 |
| LEVAGE DE LA TONDEUSE..... | 16 |
| ENSEMBLE DU SIÈGE..... | 17 |
| DÉCALCOMANIES..... | 18 |
| VOYEZ LES DÉTAILS DE MOTOR..... | 19-23 |
| VOYEZ LES DÉTAILS DE TRANSMISSION..... | 24-25 |
| GARANTIE..... | 26 |
| ENTRETIEN DE "SEARS"..... | 28 |

Sears Canada, Inc., Toronto, Ontario M5B 2B8

* La puissance nominale indiquée par le fabricant du moteur est la puissance brute moyenne (à un régime en tr/min spécifique) d'un moteur de production type pour le modèle de moteur mesuré selon les normes SAE pour la puissance brute du moteur. Se reporter au fabricant du moteur pour tous les détails.

**24.0 C.V.*
DÉMARRAGE ÉLECTRIQUE
TONDEUSE DE 122 CM (48 PO.)
AUTOMATIQUE
TRACTEUR DE PELOUSE**



IMPORTANT:
Lisez et suivez le
mode d'emploi et
toutes les règles
de sécurité avant
d'utiliser cet
équipement

**NUMÉRO DE
MODÈLE
944.604390**

SEARS
MANUEL DES
PIÈCES DE
RECHANGE