

SEARS
REPAIR
PARTS
MANUAL

MODEL NO.
944.604410

IMPORTANT:
Read and follow
all Safety Rules
and Instructions
Before Operating
This Equipment



CRAFTSMAN®

24.0 HP*
ELECTRIC START
54" MOWER
AUTOMATIC TRANSMISSION
GARDEN TRACTOR

* The power rating as declared by the engine manufacturer is the average gross power output at the specified RPM of a typical production engine for the engine model measured using SAE Standards for engine gross power. Please refer to the engine manufacturer for details.

Sears Canada, Inc., Toronto, Ontario M5B 2B8

587756324 Rev. 9

02.21.17 CL
Printed In The U.S.A.

HOW TO USE THIS MANUAL

This manual is designed to provide the customer with a means to identify the parts on his/her tractor when ordering repair parts. The illustrations may or may not represent the actual assemblies; therefore, it is not recommended to use this manual as a guide to assemble or disassemble the tractor. Some hardware and parts are drawn larger in order to more readily identify them.

Each tractor has its own model number.

The model number for your tractor can be found on the fender under the seat.

When ordering parts, always give the following information:

- Product - "Tractor"
- MODEL NUMBER - "944.604410"
- Part Number
- Part Description

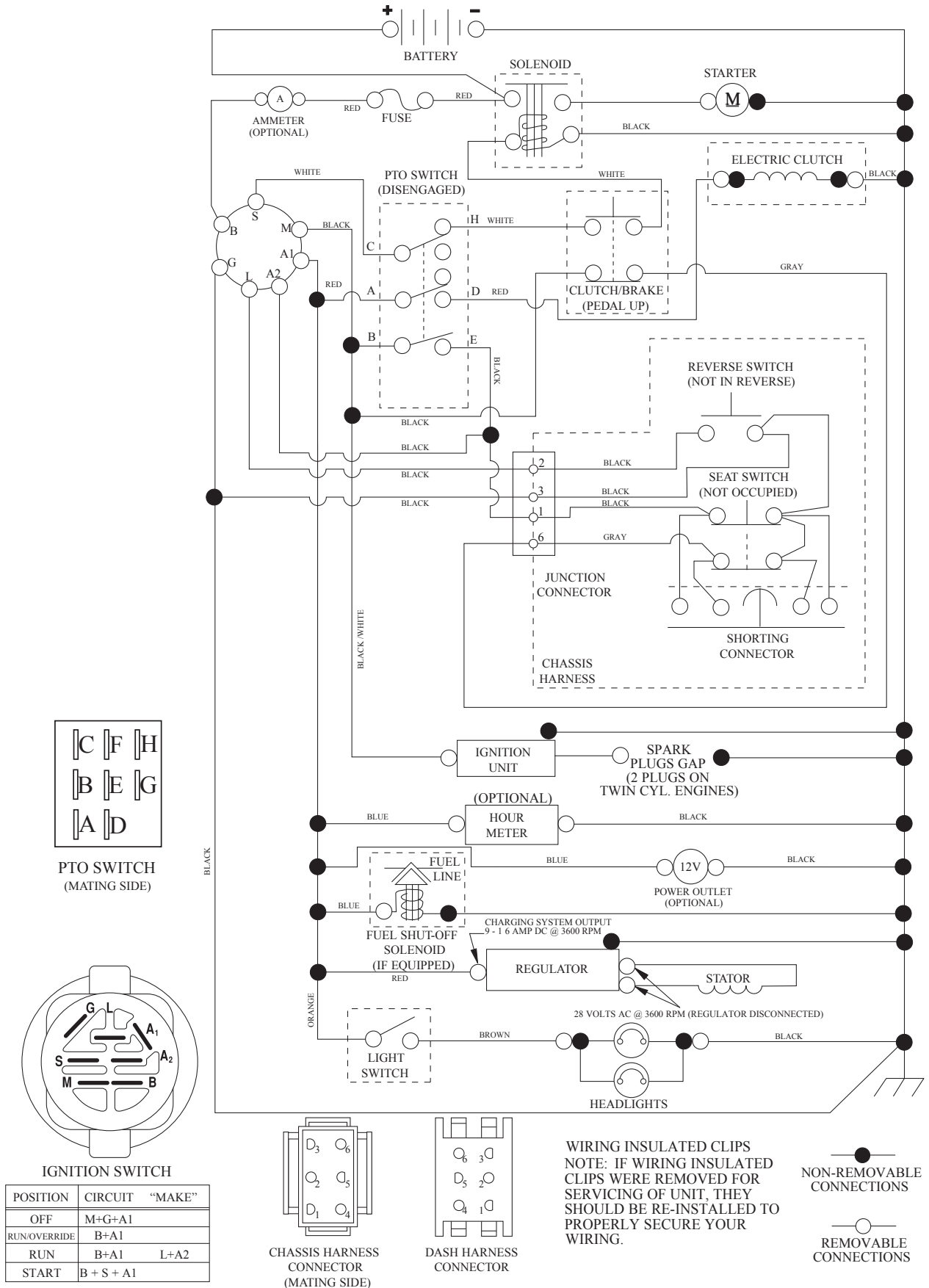
TABLE OF CONTENTS

SCHEMATIC	3
ELECTRICAL.....	4-5
CHASSIS	6-7
DRIVE.....	8-9
ENGINE.....	10-11
STEERING	12-13
MOWER DECK	14-15
MOWER LIFT.....	16
SEAT	17
DECALS.....	18
TRANSAXLE BREAKDOWN	20-21
ENGINE BREAKDOWN.....	22-27
WARRANTY.....	29
SEARS SERVICE	30

TRACTOR - - MODEL NUMBER 944.604410

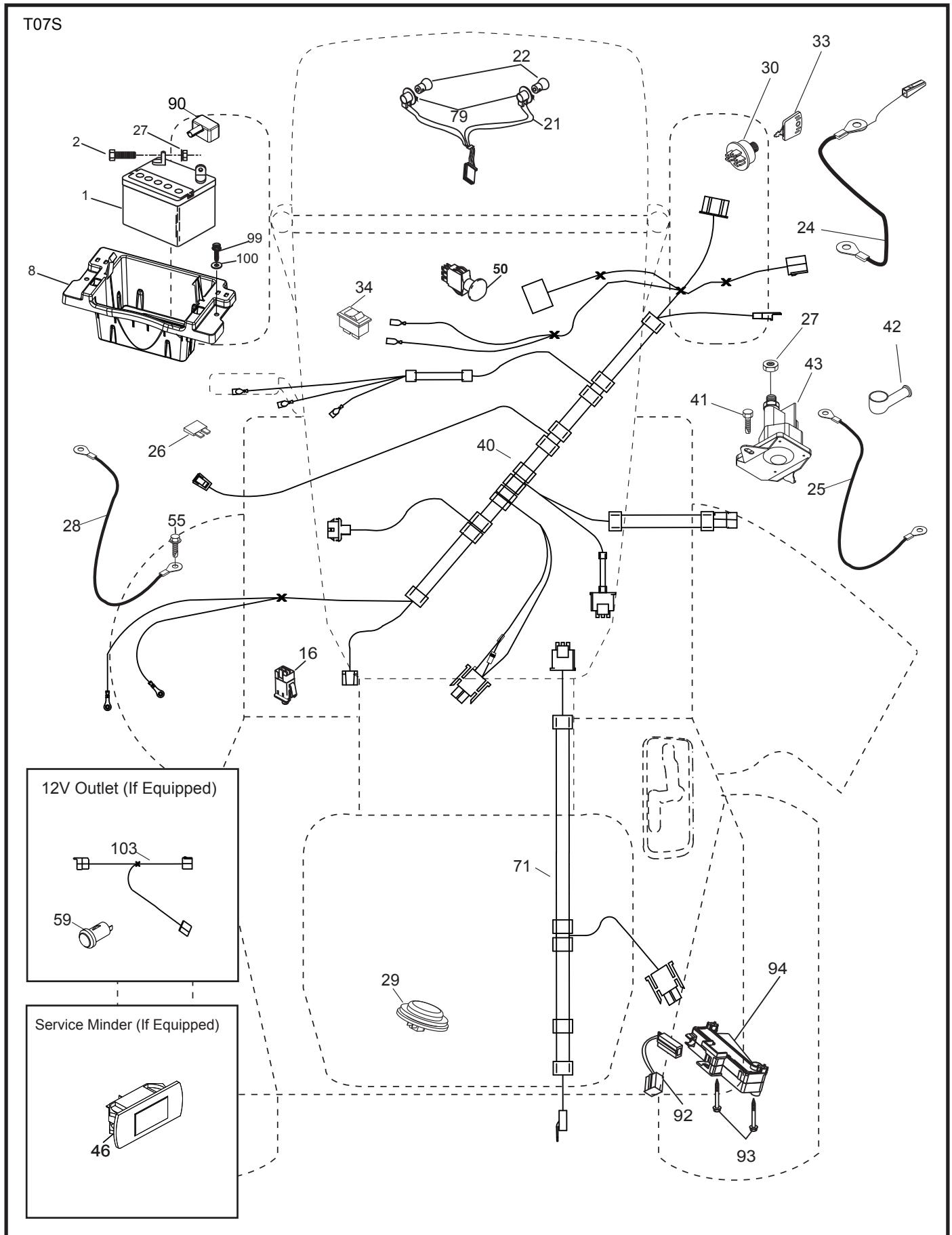
SCHEMATIC

SCH12



TRACTOR -- MODEL NUMBER 944.604410

ELECTRICAL



TRACTOR - - MODEL NUMBER 944.604410

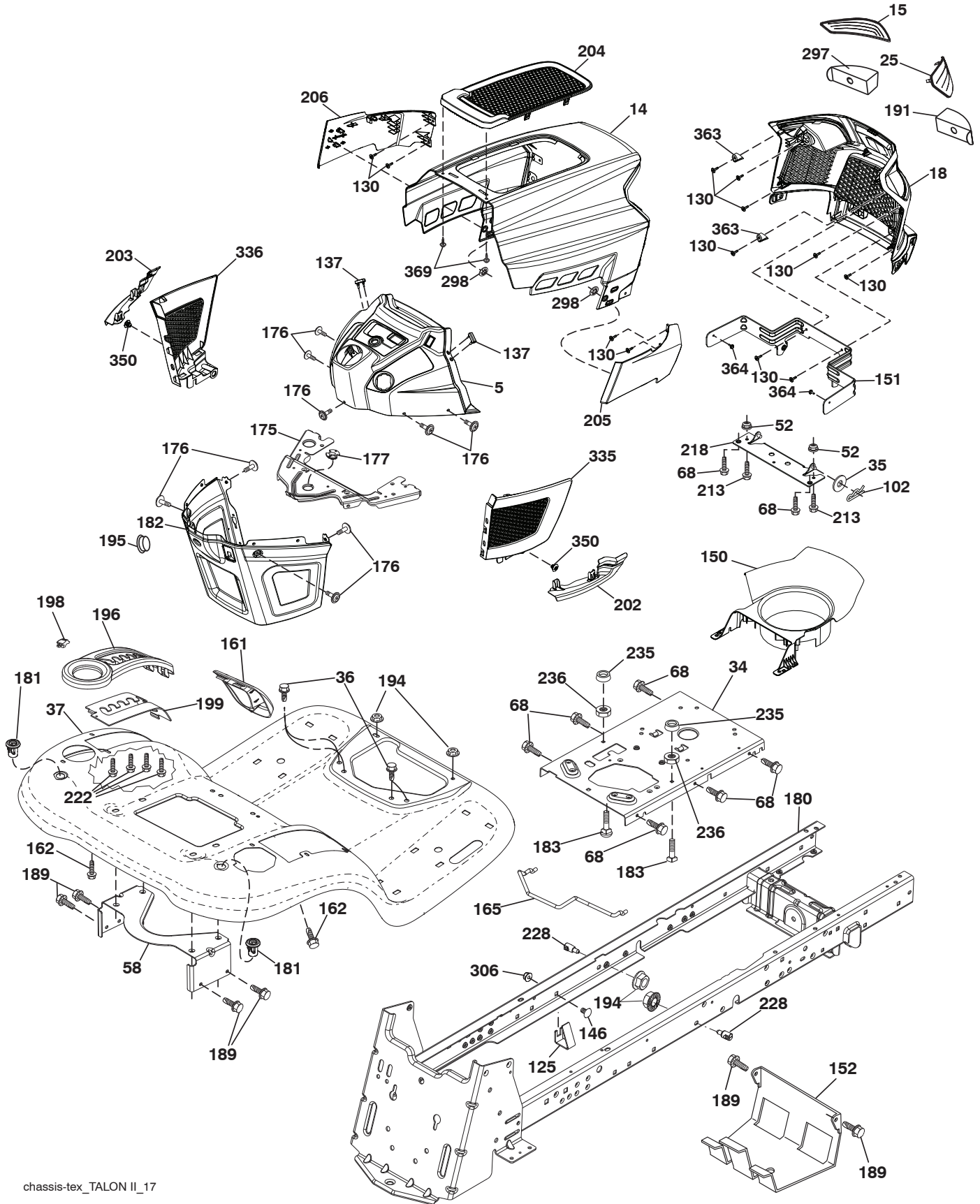
ELECTRICAL

KEY NO.	PART NO.	DESCRIPTION
1	163465	Battery
2	74760412	Bolt Hex Head 1/4-20 x 3/4
8	587205101	Box Battery
16	176138	Switch Interlock Push-In
21	400252	Harness Socket Light w/4152J
22	4152J	Bulb Light
24	585555601	Cable Battery
25	585555501	Cable Starter
26	175158	Fuse
27	73510400	Nut Keps Hex 1/4-20 unc
28	416588	Cable, Ground
29	401545	Switch, Seat
30	193350	Switch, Ign
33	411934	Key/Chain
34	110712X	Switch Light/Reset
40	401104	Harness Ign. Dash
41	17720408	Screw 1/4-20 x 1/2
42	131563	Cover, Terminal
43	192507	Solenoid
46	586161801	Gauge Hourmeter
50	174652	Switch, PTO
55	17060512	Screw 5/16-18 x 3/4
71	194276	Harness Ignition Chassis
79	175242	Socket Asm. Bulb
90	435395	Cover Terminal Battery
92	196615	Harness Pigtail
93	192540	Screw Plastic
94	191834	Module Reverse
99	17670412	Screw Hexwsh Thdrol 1/4-20 x 3/4
100	19091416	Washer 9/32 x 7/8 x 16 Ga.

NOTE: All component dimensions given in U.S. inches
1 inch = 25.4 mm

TRACTOR - - MODEL NUMBER 944.604410

CHASSIS



chassis-tex_TALON II_17

TRACTOR - - MODEL NUMBER 944.604410

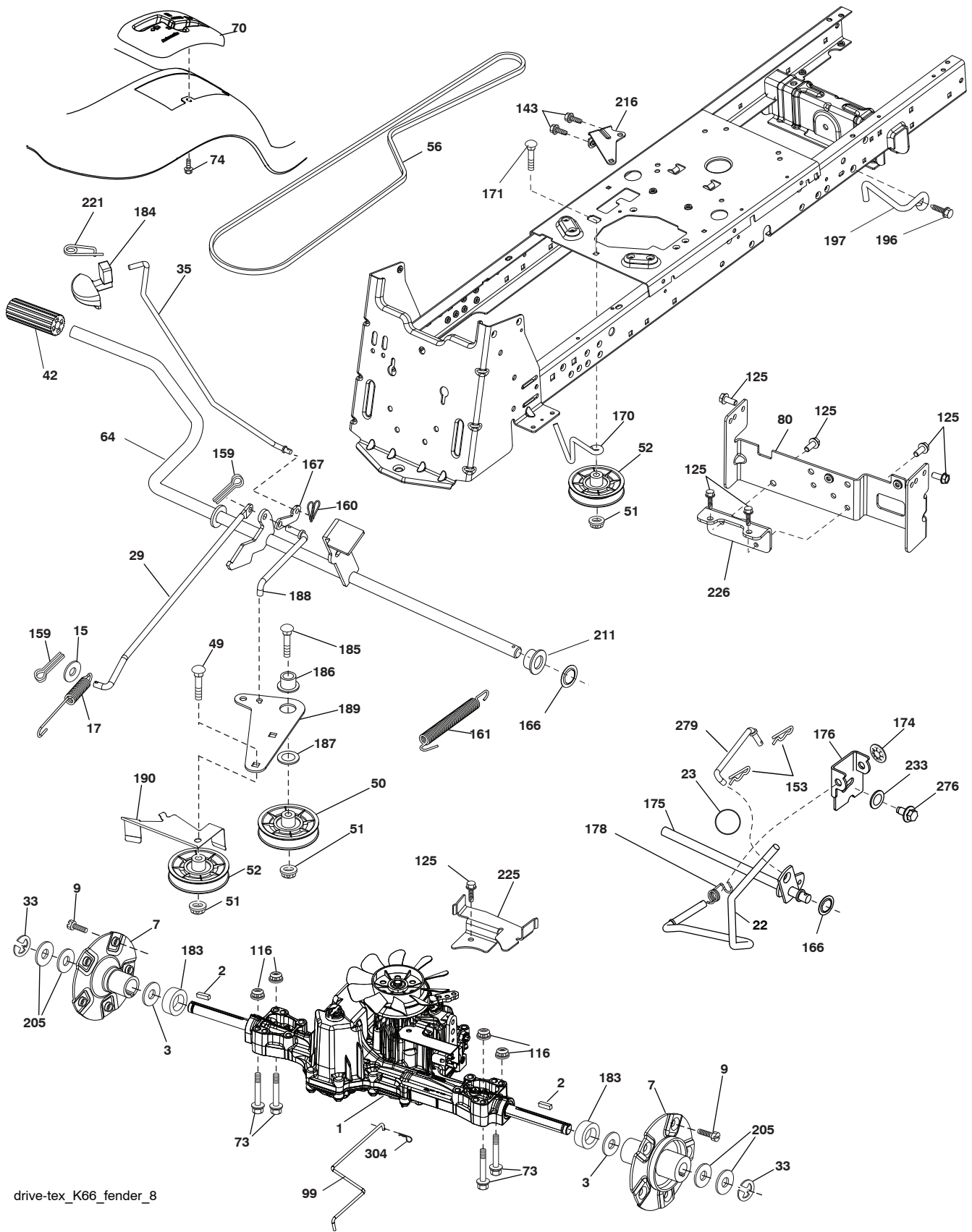
CHASSIS

KEY PART NO. NO.	DESCRIPTION	KEY PART NO. NO.	DESCRIPTION		
5	580485806	Dash	191	580485101	Mylar Headlight/Reflective Lens RH
14	580354407	Hood	194	73900500	Nut Lock Hex Flange 5/16-18
15	580485601	Lens LH	195	401556X428	Plug Hole Dash 12V Adapter
18	580485302	Grille	196	419828X428	Console Asm. Deck Lift
25	580484501	Lens RH	198	197300X667	Indicator Deck Lift
34	580910801	Plate engine	199	419350	Plate Deck Lift
35	19111116	Washer 11/32 x 11/16 x 16 Ga.	202	580485002	C-Closeout Lwr Trm RH
36	17060512	Screw 5/16-18 x 3/4	203	580484802	C-Closeout Lwr Trm LH
37	400009X428	Fender	204	580484701	Hood Top Vent
52	73680500	Nut Crown lock 5/16-18	205	580843707	Assembly Corner RH
58	194314	Bracket Support Fend	206	580843807	Assembly Corner LH
68	17490508	Screw Thdrol 5/16-18 x 1/2	213	74760512	Bolt hex HD 5/16-18 unc x 3/4
102	4497H	Retainer Spring 1"	218	580897301	Pivot Hood Assy
125	581684801	Clip Fuel Line	222	137729	Screw
130	416358	Screw #10 x .750 BOS Thread	228	195161	Stud Fastener
137	407590	Bumper Dash	235	406129	Spacer Fender
146	581857901	Bolt	236	73930500	Nut Center Lock 5/16-18
150	585238002	Duct Heat Hood	297	580484901	Mylar Headlight/Reflective Lens LH
151	580663302	Bracket Pivot	306	73900600	Nut Lock
152	199535	Shield Browning/Debris	335	580484602	C-Side Closeout RH
159	17000612	Screw Hexwsh Thdr 3/8-16 x 3/4	336	580484402	C-Side Closeout LH
161	193097X428	Window Fuel	350	445143	Clip X-Mass Tree
162	142432	Screw Hex Wsh Hi-Lo 1/4 x 1/2	363	580724501	Cap Talon Grille
165	196826	Support Tank Rear	364	17060408	Screw
175	196304	Crossmember	369	421756	Screw #10 x 0.500 BOS Thread
176	400776	Screw 10-24 x 5/8 Wshd Qdrx			
177	195228	Bushing Steering			
180	195477	Chassis			
181	193102X428	Bushing Mtg. Fender Crgo.			
182	586738602	Dash Lower			
183	74520520	Bolt 5/16-18 x 1-1/4			
189	17000512	Screw 5/16-18 x 3/4			

NOTE: All component dimensions given in U.S. inches
1 inch = 25.4 mm

TRACTOR - - MODEL NUMBER 944.604410

DRIVE



drive-tex_K66_fender_8

TRACTOR - - MODEL NUMBER 944.604410

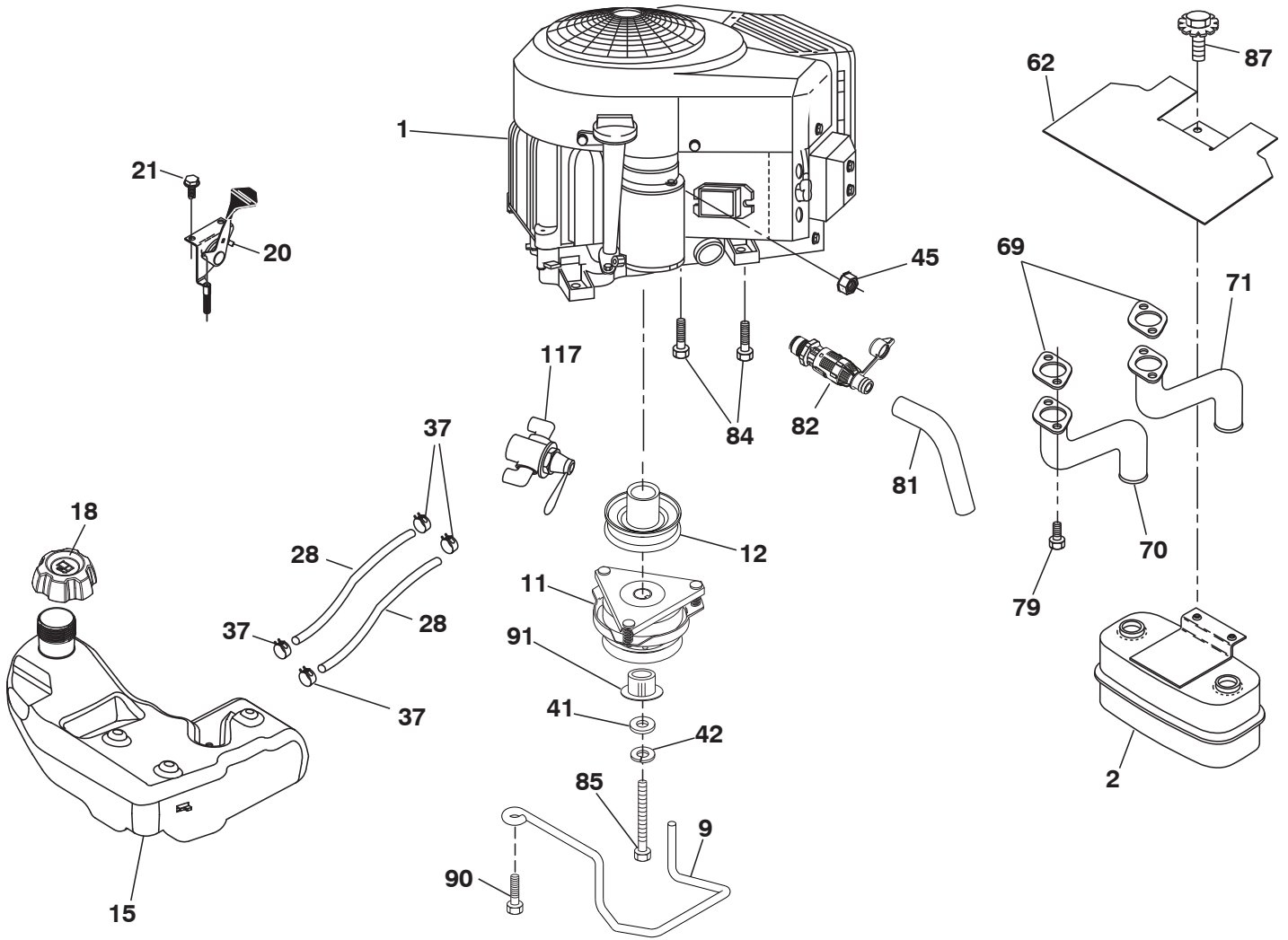
DRIVE

KEY NO.	PART NO.	DESCRIPTION	KEY NO.	PART NO.	DESCRIPTION
1	-----	Transaxle, TUFFTORQ K66AD (414145) (Order parts from trans- axle manufacturer.)	167	405257	Latch Brake Parking
2	7070E	Key	170	194322	Keeper Belt Centerspan
3	7563R	Washer Thrust Axle Hardened	171	72110616	Bolt 3/8-16 unc
7	199837	Hub Asm. Wheel Rear	174	197289	Nut Push
9	140080	Bolt Hub Wheel Rear	175	408539	Shaft Asm Shift
15	19131316	Washer 13/32 x 13/16 x 16 Ga.	176	196214	Arm Clevis Rod Shift
17	401072	Spring Brake	178	197456	Spring Shift
22	197329	Rod Shift	183	197357	Spacer Split
23	140845	Knob	184	196439X428	Handle Parking Brake
29	407245	Rod, Brake	185	72110622	Bolt Rdhd Sqnk 3/8-16 x 2-3/4 Gr. 5
33	12000053	Ring E	186	194321	Spacer Retainer
35	583864501	Rod Brake Park	187	19133210	Washer
42	8883R	Cover Foot Pedal	188	582217001	Link Clutch Ground Drive, Long
49	72110614	Bolt	189	194317	Bellcrank Ground Drive
50	194327	Pulley Idler Flat	190	194318	Keeper Bellcrank Ground Drive
51	73900600	Lock Nut 3/8-16	196	17000616	Screw 3/8-16 x 1
52	194326	Idler V-Groove	197	585658601	Link Clutch Anti-Rotation
56	125907X	V-Belt Drive	205	123800	Washer 1-1/32 x 1-5/8 x 16 Ga.
64	196200	Shaft Asm. Pedal Brake Control	211	196212	Bushing Brake Shaft
70	193340	Console Asm.	216	196131	Bracket Pulley Idler
73	74490544	Bolt Hex 5/16-18 x Gr. 5	221	403187	Retainer Spring Clip Handle
74	142432	Screw 1/4 x 1/2	225	407311	Keeper Belt Trans.
80	583970701	Strap Torque	226	407109	Bracket Mount Torque
99	582404701	Rod Bypass	232	74780716	Bolt 7/16-14 x 1 Gr. 5
116	73900500	Nut Lock Hex Flange 5/16-18	233	405296	Washer Serrated
125	17000512	Screw 5/16-18 x 3/4	279	413778	Link Shift
143	17490508	Screw 5/16-18 x 1/2	304	423303	Hair Pin Soft Zinc .059 x 1.125
153	4497H	Retainer Spring			
159	76020412	Pin Cotter 1/8 x 3/4			
160	169484	Retainer Clip			
161	105709X	Spring Return Clutch			
166	429164	Nut Push			

NOTE: All component dimensions given in U.S. inches
1 inch = 25.4 mm

TRACTOR - - MODEL NUMBER 944.604410

ENGINE



29

SPARK ARRESTER KIT

engine-tex_bs-2cyl_86

TRACTOR - - MODEL NUMBER 944.604410

ENGINE

KEY NO.	PART NO.	DESCRIPTION
1	---	Engine B&S Model No. 44S877-0032-G1 (586640501) (See engine breakdown.)
2	445962	Muffler
9	584908001	Keeper Belt Engine
11	587241401	Clutch Electric
12	194343	Pulley Engine
15	422804	Tank Fuel 4.0
18	584248701	Cap Asm Fuel
20	421473X428	Control Throttle
21	416358	Screw 10 x .750 BOS Thread
28	401135	Fuel Line
29	137180	Spark Arrester Kit
37	123487X	Clamp Hose
41	126197X	Washer 1-1/2 OD x 15/32 ID x .250
42	10040700	Washer Lock 7/16
45	73510400	Nut Keps Hex 1/4-20 unc
62	434017	Shield Heat Muffler
69	165391	Gasket
70	581881101	Tube Exhaust LH
71	581881001	Tube Exhaust RH
79	183906	Screw 5/16-18
81	148456	Tube, Drain Oil
82	428287	Valve, Oil Drain
84	17060620	Screw 3/8-16 x 1
85	581636201	Bolt Hex 7/16-20 x 3.0 x Gr. 5
87	198239	Bolt 5/16-18 unc x 1 w/Sems
90	17000616	Screw 3/8-16 x 1
91	187495	Bushing
117	420828	Valve Fuel Reserve

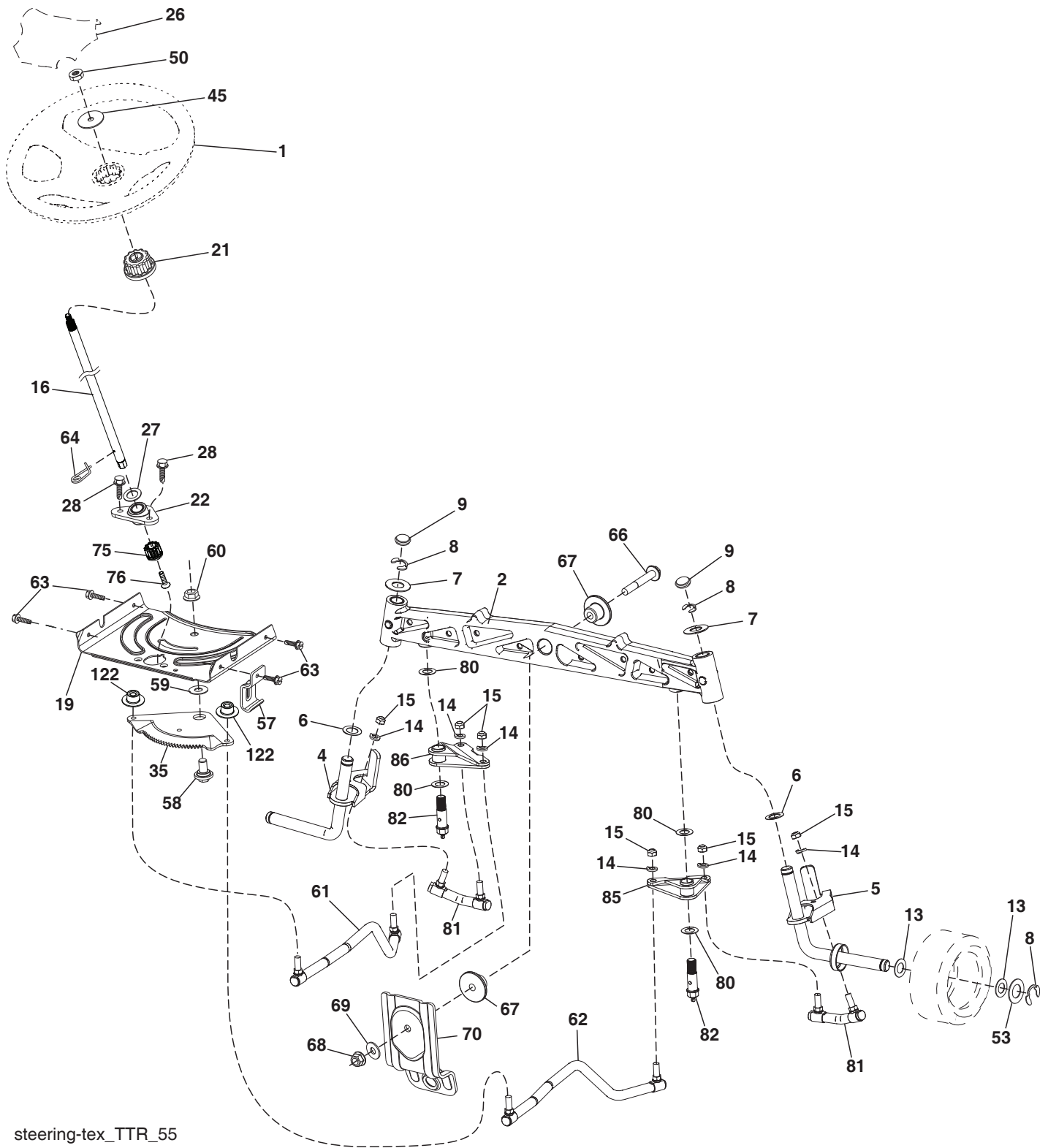
NOTE: All component dimensions given in U.S. inches
1 inch = 25.4 mm

Engine Power Rating Information

The gross power rating for individual gas engine models is labeled in accordance with SAE (Society of Automotive Engineers) code J1940 (Small Engine Power & Torque Rating Procedure), and rating performance has been obtained and corrected in accordance with SAE J1995 (Revision 2002-05). Torque values are derived at 3060 RPM; horsepower values are derived at 3600 RPM. Actual gross engine power will be lower and is affected by, among other things, ambient operating conditions and engine-to-engine variability. Given both the wide array of products on which engines are placed and the variety of environmental issues applicable to operating the equipment, the gas engine will not develop the rated gross power when used in a given piece of power equipment (actual "on-site" or net power). This difference is due to a variety of factors including, but not limited to, accessories (air cleaner, exhaust, charging, cooling, carburetor, fuel pump, etc.), application limitations, ambient operating conditions (temperature, humidity, altitude), and engine-to-engine variability. Due to manufacturing and capacity limitations, Briggs & Stratton may substitute an engine of higher rated power for this Series engine.

TRACTOR - - MODEL NUMBER 944.604410

STEERING ASSEMBLY



steering-tex_TTR_55

TRACTOR - - MODEL NUMBER 944.604410

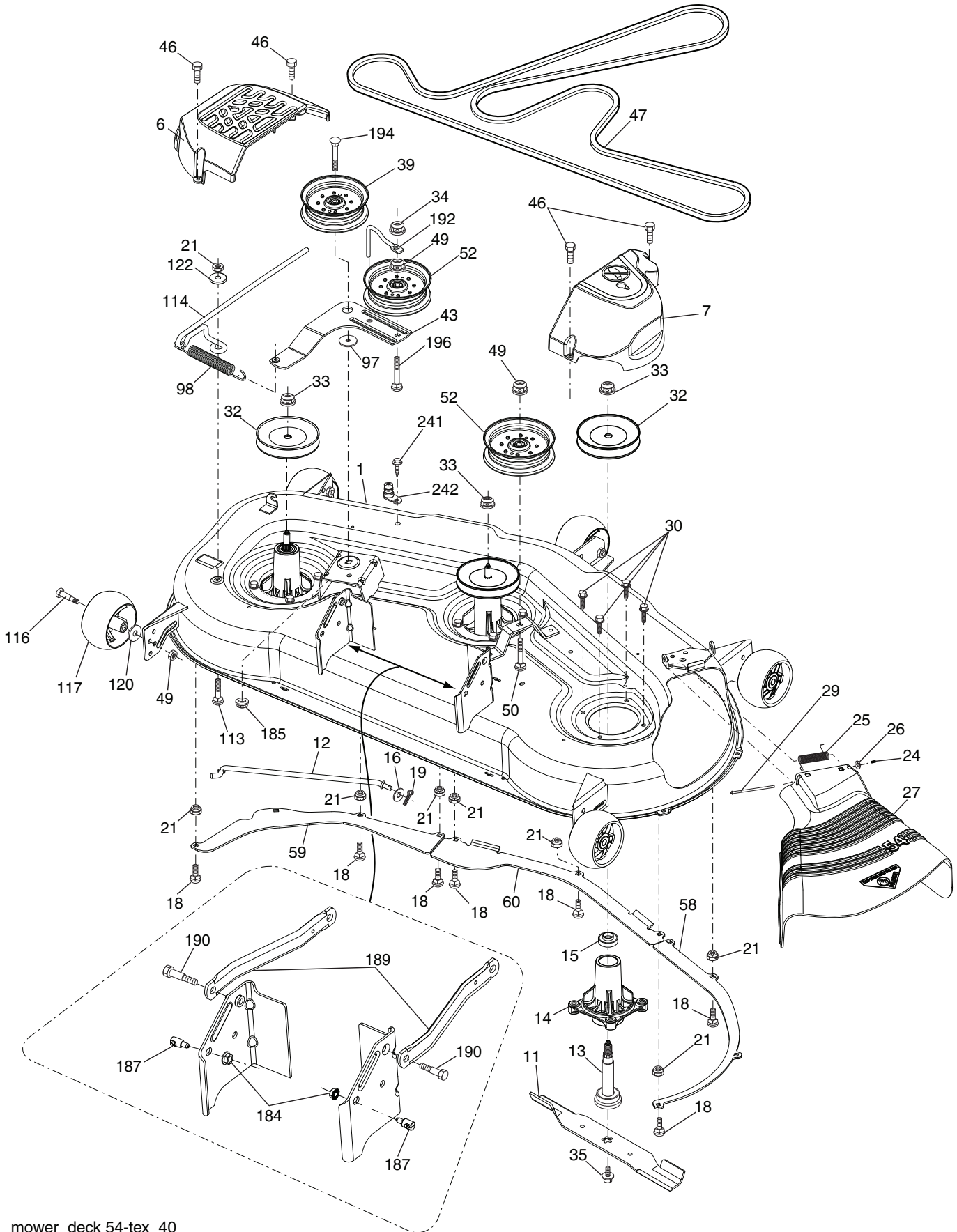
STEERING ASSEMBLY

KEY NO.	PART NO.	DESCRIPTION
1	414851X428	Wheel, Steering
2	436870	Axle Asm., Front
4	436873	Spindle Asm., LH
5	436874	Spindle Asm., RH
6	6266H	Washer Thrust 0.75 x 1.23
7	121748X	Washer 25/32 x 1-5/8 x 16 Ga.
8	12000029	Ring, Clip #T5304-75
9	184946X667	Cap, Spindle
13	121749X	Washer 25/32 x 1-1/4 x 16 Ga.
14	10040600	Washer Lock 3/8
15	73540600	Nut, Crown Lock 3/8-24 unf
16	587016002	Shaft Steering
19	194729	Plate Steering
21	586840201	Adapter, Wheel Steering Splnd Alum
22	585029901	Bearing Subasm Shaft Steer Low
26	414852X428	Insert, Wheel Steering
27	19211616	Washer 21/32 x 1 x 16 Ga.
28	17000612	Screw 3/8-16 x 3/4
35	440770	Gear, Sector Plate
45	587016401	Washer 3/8 ID 2-3/8OD 12 Ga. PLTD
50	73900600	Nut Lock Flg. 3/8-16 unc
53	188967	Washer Hardened .793 x 1.637 x .060
57	197246	Bracket Upstop
58	194747	Bolt Shoulder Sector Pivot CFM
59	194748	Washer Thrust Sector Steering
60	73971000	Nut Flange Lock 5/8-11
61	436884	Draglink, LH
62	436885	Draglink, RH
63	17000512	Screw 5/16-18 x 3/4
64	199849	Retainer Clip Spring Steering
66	71020748	Bolt Hex Fghd 7/16-14 x 3 Serr
67	194737	Bushing PM Front Axle
68	73900700	Nut Lock Flange 7/16-14 Gr. 5
69	199162	Washer 1.5 x .505 x .118
70	196197	Bracket Deck Susp. Front
75	580683702	Pinion
76	580683601	Screw Head Sock
80	1370H	Washer
81	436887	Link Cross RH
82	442147	Pivot Bolt
85	441873	Pivot RH
86	441872	Pivot LH
122	444962	Cap Gear

NOTE: All component dimensions given in U.S. inches
1 inch = 25.4 mm

TRACTOR - - MODEL NUMBER 944.604410

MOWER DECK



mower_deck 54-tex_40

TRACTOR - - MODEL NUMBER 944.604410

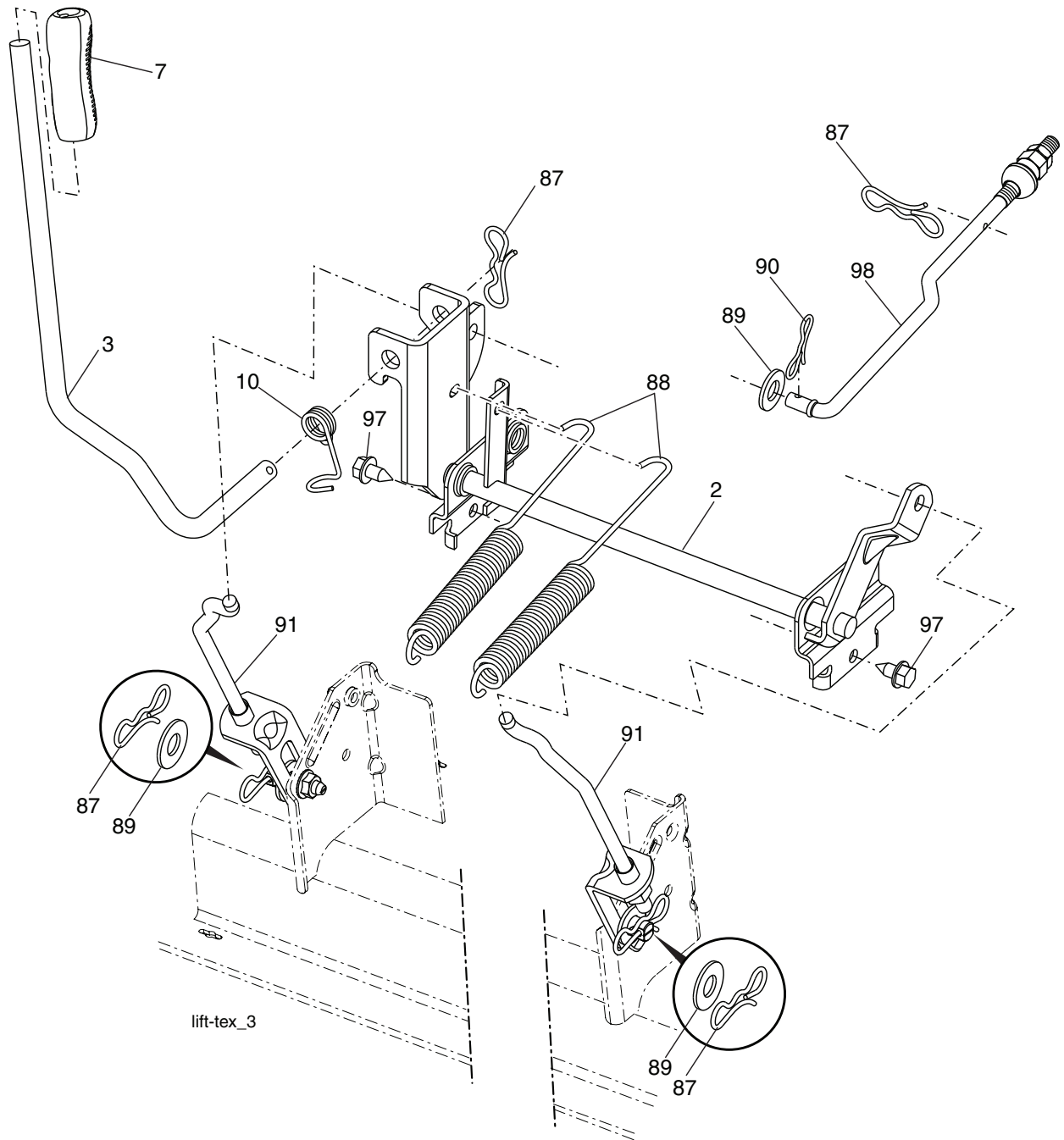
MOWER DECK

KEY NO.	PART NO.	DESCRIPTION	KEY NO.	PART NO.	DESCRIPTION
1	195632X613	Deck Weldment Mower	59	187344	Baffle Left
6	196066	Cover Mandrel LH	60	187607	Baffle Center
7	197181	Cover Mandrel RH	97	178515	Washer Hardened
11	187256	Blade Bagging	98	196105	Spring Drive
12	400337	Rod Anti Sway	113	72110508	Bolt Rdhd Sqnk 5/16-18 x 3/4
13	587256401	Shaft Asm.	114	187556	Rod Tension Relief
14	187281	Housing, Mandrel	116	193406	Bolt, Shoulder
15	585323901	Bearing, Mandrel	117	174873	Gauge Wheel
16	19131312	Washer 13/32 x 13/16 x 12 Ga.	120	19132012	Washer 13/32 x 1-1/4 x 12 Ga.
18	72140505	Bolt RdHd 5/16-18 unc x 5/8	122	187557	Bushing Tension Relief
19	194208	Pin Cotter 5/16 Bow Tie Lock	184	73900500	Nut Lock Flange 5/16-18
21	73680500	Nut, Crownlock 5/16-18 unc	185	73900700	Nut Lock Flange 7/16-14 Gr. 5
24	105304X	Cap Sleeve	187	195161	Stud Fastener w/"D" Anti-Rotation
25	178102	Spring, Torsion	189	195185	Arm Susp. Mower Rear
26	110452X	Nut, Push	190	196539	Bolt Shoulder
27	187257X428	Deflector Shield	192	198468	Keeper Belt Idler
29	131491	Rod, Hinge	194	74490736	Bolt Carr Sqnk 3/8-16 x 2-1/4
30	173984	Screw, Thdroll Washer Head	196	72140620	Bolt RdHd 3/8-16 unc x 2-1/2 Gr. 5
32	153535	Pulley, Mandrel	241	152927	Screw
33	400234	Nut, Flg. Top Lock	242	415598	Washout Port
34	73680600	Nut	--	587125401	Mandrel Asm. Service (Includes Key Nos. 13-15 and 33)
35	584309301	Screw	--	416405	Coupling Quick Connect
39	197380	Pulley, Idler	--	403349	Replacement Mower, Complete
43	196065	Arm, Idler			
46	137729	Screw, Thdroll. 1/4-20 x 5/8			
47	587686701	V-Belt, Mower			
49	73900600	Nut, Lock Flg. 3/8-16 unc			
50	72110616	Bolt, Carr. 3/8-16 x 2			
52	197379	Pulley Idler			
58	187342	Baffle Right			

NOTE: All component dimensions given in U.S. inches
1 inch = 25.4 mm

TRACTOR - - MODEL NUMBER 944.604410

MOWER LIFT



KEY PART NO. NO.

KEY PART NO.	NO.	DESCRIPTION
2	422027	Shaft Asm., Lift
3	419497	Lever Asm., Lift RH
7	445060X428	Grip, Lever
10	196314	Spring Torsion
87	194209	Pin Cotter 7/16 Bow Tie Lock
88	195304	Spring Lift Assist
89	19191912	Washer Clear Zinc

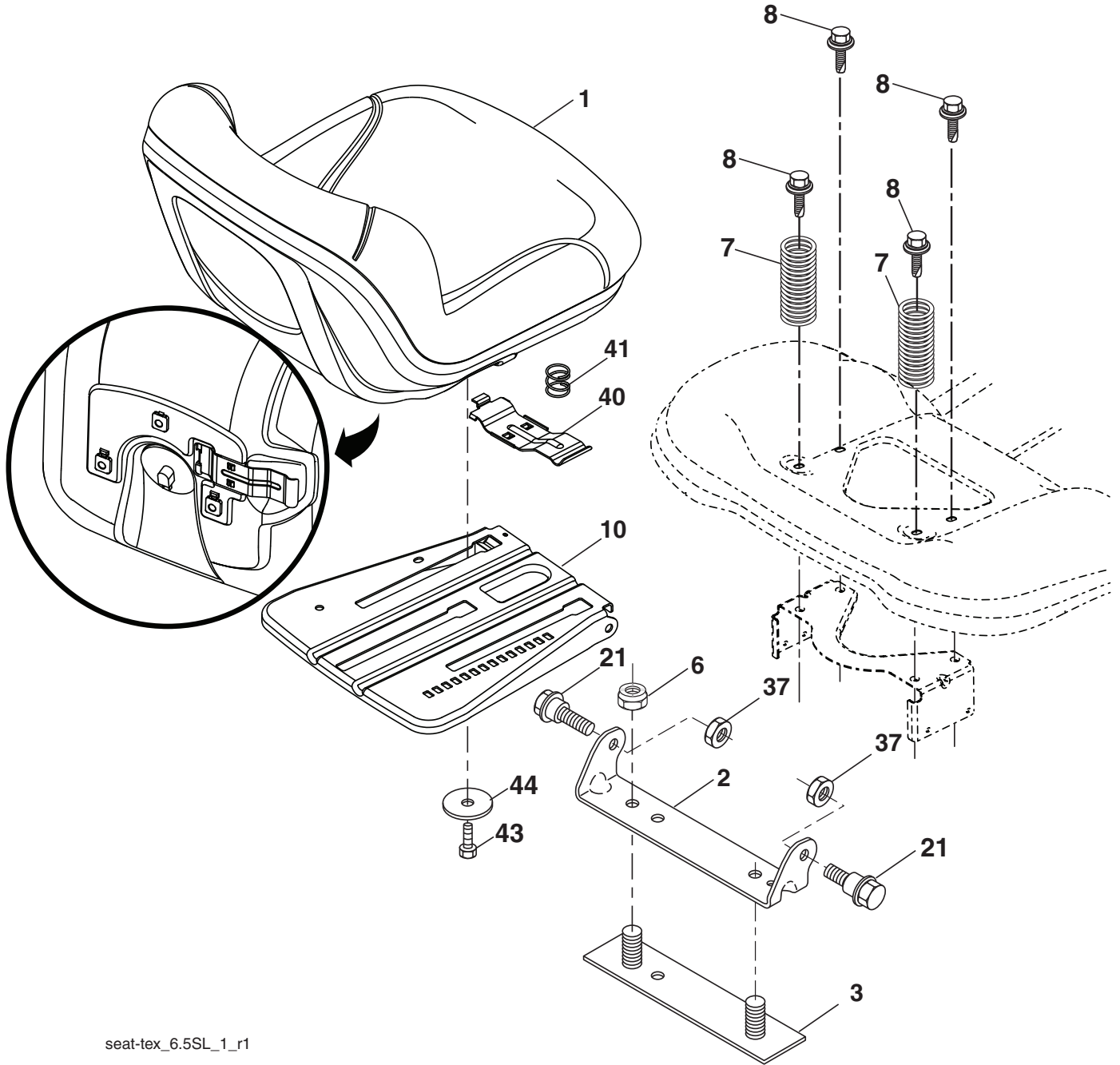
KEY PART NO. NO.

KEY PART NO.	NO.	DESCRIPTION
90	194208	Pin Cotter 5/16 Bow Tie Lock
91	403407	Link Lift Asm. Rear
97	17000612	Screw 3/8-16 x .75 R.Z
98	195264	Link Asm. Susp. Front Mower

NOTE: All component dimensions given in U.S. inches
1 inch = 25.4 mm

TRACTOR - - MODEL NUMBER 944.604410

SEAT ASSEMBLY



seat-tex_6.5SL_1_r1

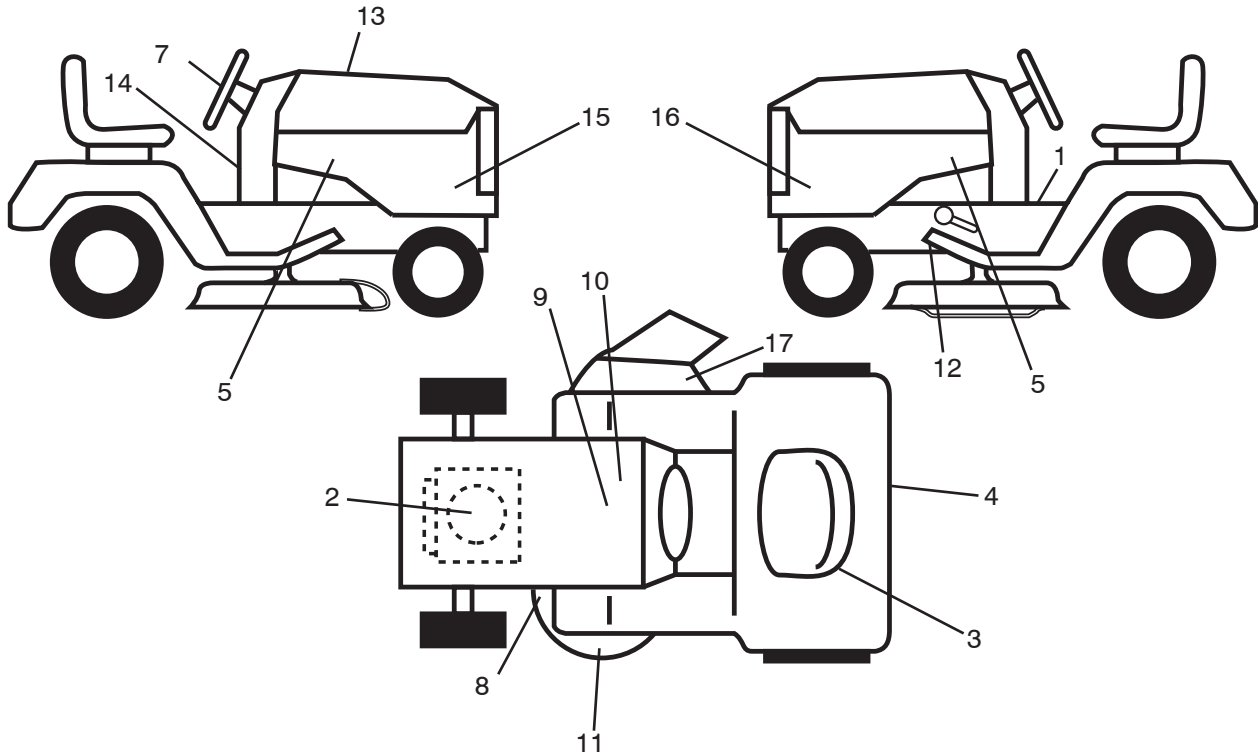
KEY PART NO.	PART NO.	DESCRIPTION
1	586507701	Seat
2	180166	Bracket Pivot Fender
3	140675	Strap, Asm Fender
6	73800600	Nut, Lock w/Ins. 3/8-16 unc
7	124181X	Spring, Seat Cprsn
8	171877	Bolt 5/16-18 unc x 3/4 w/Sems
10	196977	Pan, Seat
21	171852	Bolt, Shoulder 5/16-18

KEY PART NO.	PART NO.	DESCRIPTION
37	73800500	Nut, Lock 5/16-18 unc
40	197661	Handle Slide Seat
41	198200	Spring Latch Seat
43	74760612	Bolt 3/8-16 unc x 3/4
44	19133812	Washer 13/32 x 2-3/8 x 12 Ga.

NOTE: All component dimensions given in U.S. inches
1 inch = 25.4 mm

TRACTOR - - MODEL NUMBER 944.604410

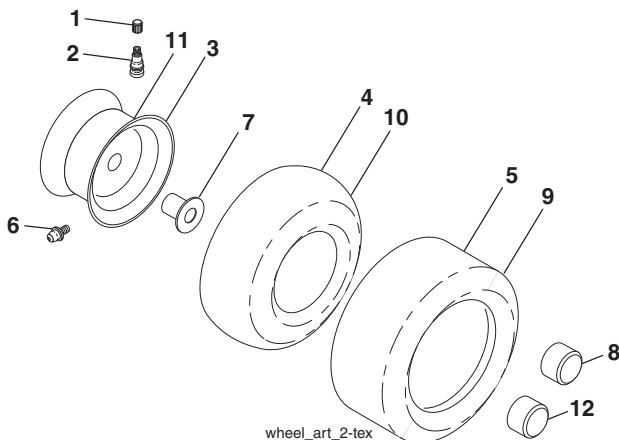
DECALS



KEY PART NO.	PART NO.	DESCRIPTION
1	581579001	Decal, Warning
2	585915201	Decal, Eng
3	581724201	Decal, Warn. Reserve Fuel
4	441122	Decal, Fender
5	585767601	Decal, Hood
7	581894601	Decal, Steering
8	581580002	Decal, Mower Schematic
9	149517	Decal, Battery Warning
10	448709	Decal, Battery
11	581724501	Decal, Mower Caution
12	421534	Decal, Mower V-Belt Schematic

KEY PART NO.	PART NO.	DESCRIPTION
13	586643101	Decal, Replacement
14	581579901	Decal, Warn
15	586208201	Decal, Sideskirt RH
16	586208202	Decal, Sideskirt LH
17	584904601	Decal, Deck/Deflect Warning
--	581724801	Decal Bypass
--	193100X428	Pad Footrest RH
--	193101X428	Pad Footrest LH
--	586654124	Manual, Operator's (English/French)
--	587756324	Manual, Parts (English/French)

WHEELS AND TIRES



KEY PART NO.	PART NO.	DESCRIPTION
1	59192	Cap, Valve, Tire
2	65139	Stem, Valve
3	148736X613	Rim Assembly, Front
4	8134H	Tube, Front (Service Item Only)
5	106230X	Tire, Front 16 x 6.5-8
6	278H	Fitting, Grease (Front Wheel Only)
7	9040H	Bearing, Flange (Front Wheel Only)
8	104757X428	Cap, Axle, Front
9	105588X	Tire, Rear 23 x 10.5-12
10	7154J	Tube, Rear (Service Item Only)
11	106277X613	Rim Assembly, Rear
12	501503101	Cap, Hub, GT, PM, Black, Rear
--	144334	Sealant, Tire (10 oz. Tube)

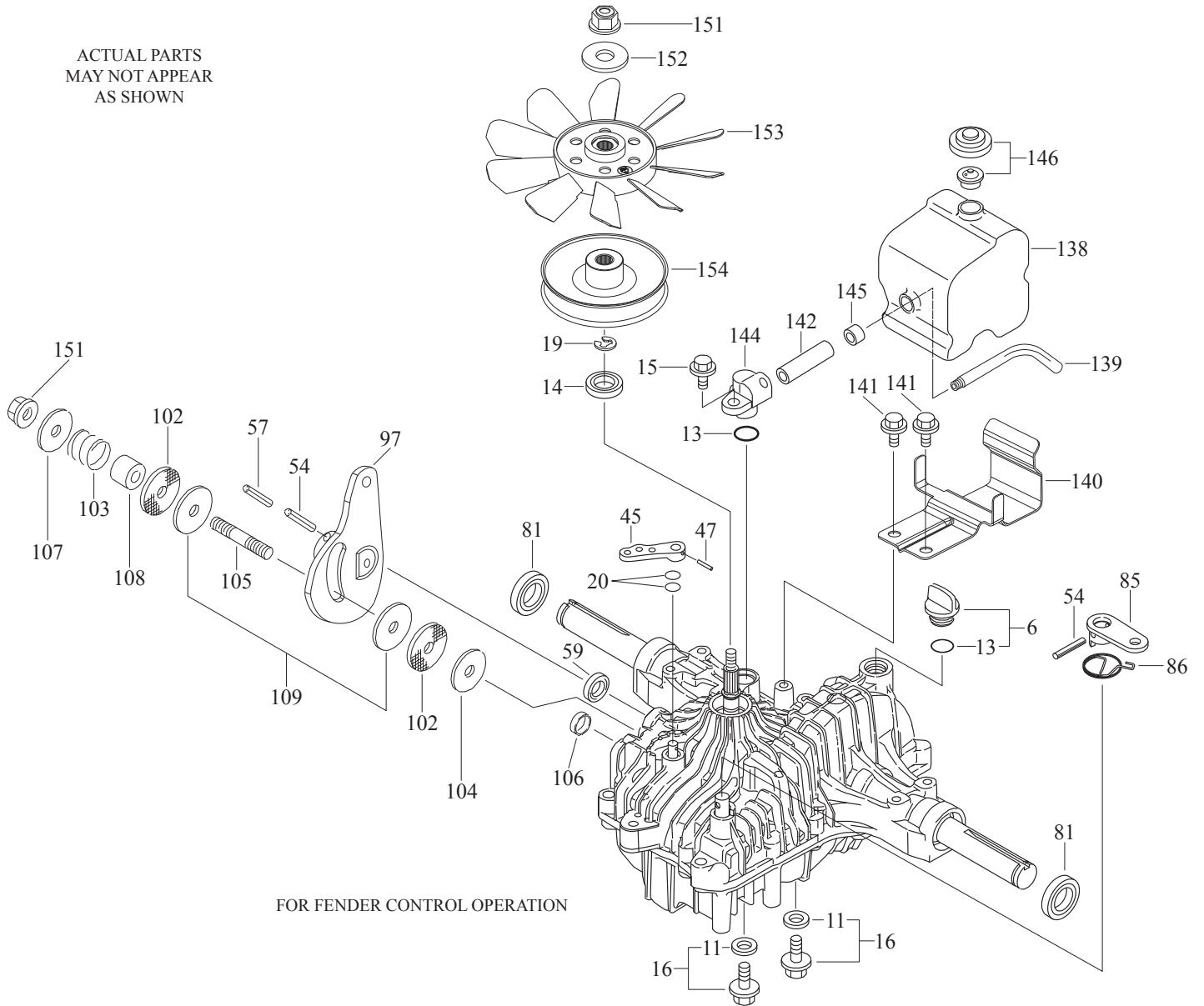
NOTE: All component dimensions given in U.S. inches
1 inch = 25.4 mm

SERVICE NOTES

TRACTOR - - MODEL NUMBER 944.604410

TUFFTORQ TRANSAXLE - - MODEL NUMBER K66AD

ACTUAL PARTS
MAY NOT APPEAR
AS SHOWN



FOR FENDER CONTROL OPERATION

TRACTOR - - MODEL NUMBER 944.604410
TUFFTORQ TRANSAXLE - - MODEL NUMBER K66AD

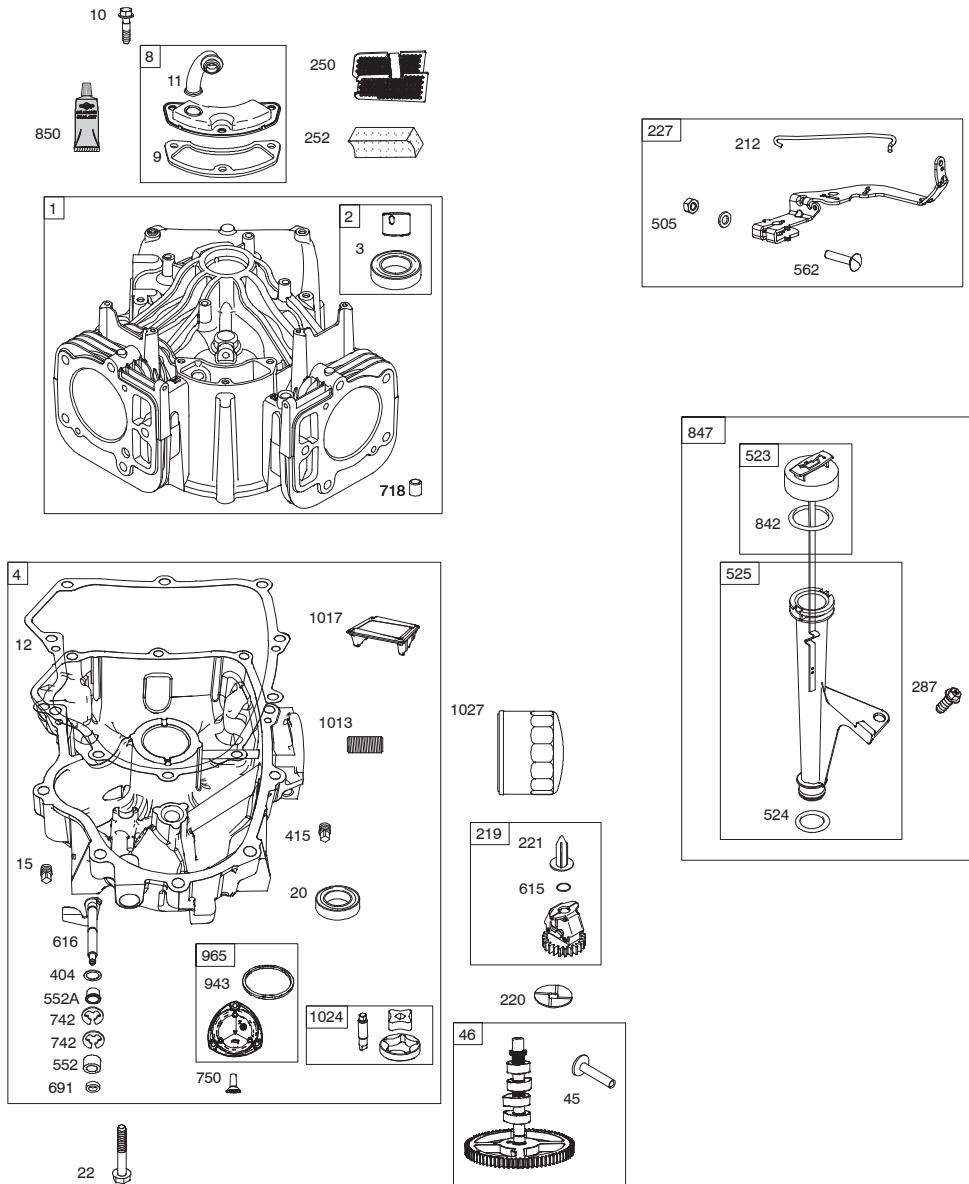
KEY NO.	PART NO.	DESCRIPTION
6	414182	OIL CAP KIT
11	414183	SEAL WASHER 10
13	414184	O-RING P18
14	414185	SEAL TC 153507
15	414186	BOLT 8 * 20
16	414187	DRAIN BOLT KIT
19	414189	E-RING 15
20	414190	O-RING 1A P10A
45	414191	BYPASS LEVER
47	414192	PIN 3.0A * 20
54	414197	ROLL PIN 6 * 40
57	414420	ROLL PIN 3.5 * 40
59	414198	SEAL TC 162606
81	414202	SEAL (S25.4 * 42 * 8
85	414203	BRAKE LEVER
86	414204	BRAKE RETURN SPRING
97	417442	CONTROL LEVER
102	417444	WASHER 10 * 35 * 4
103	414424	SPRING
104	417446	WASHER 10 * 25 * 4
105	414425	STUD 10 * 60
106	414426	SEALING CAP 18
107	414427	WASHER 10 * 36 * 2.8
108	414428	COLLAR 10 * 20 * 17
109	417476	FRICTION PLATE KIT
138	414208	RESERVOIR TANK
139	414209	PIPE 8
140	414210	TANK BRACKET
141	414211	TAPPING SCREW 8 * 20
142	414212	TANK SPACER
144	414213	FITTING
145	414214	SEAL
146	414215	VENT VALVE 15
151	414216	LOCK NUT 10
152	414217	WASHER 11 * 32 * 3.2
153	414218	FAN
154	414414	PULLEY L

NOTE: All component dimensions given in U.S. inches
1 inch = 25.4 mm

TRACTOR - - MODEL NUMBER 944.604410

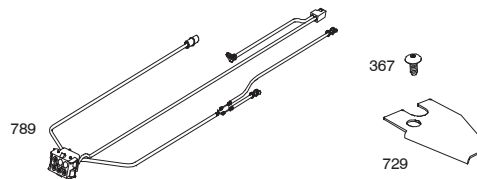
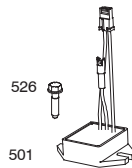
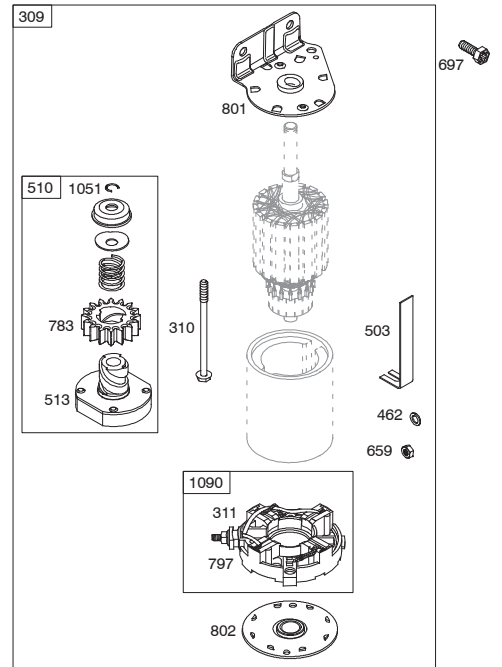
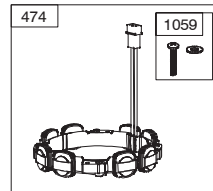
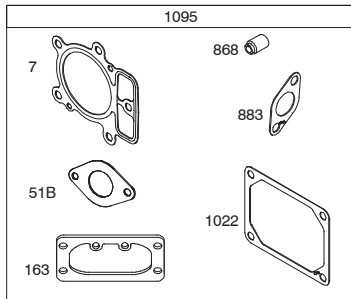
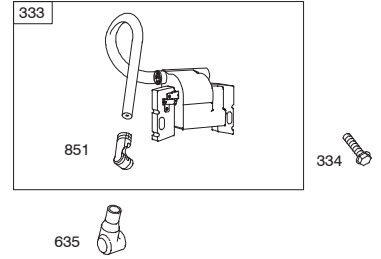
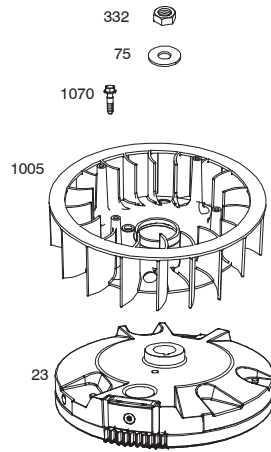
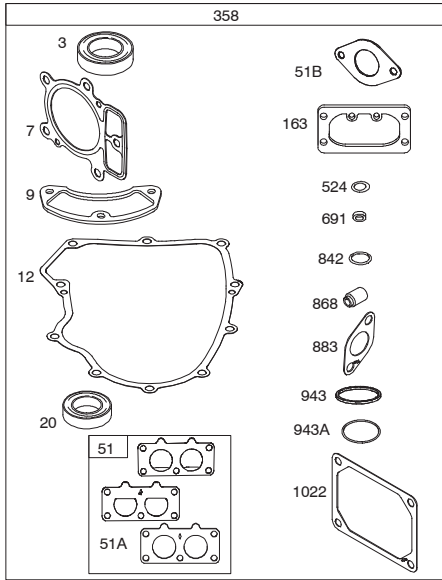
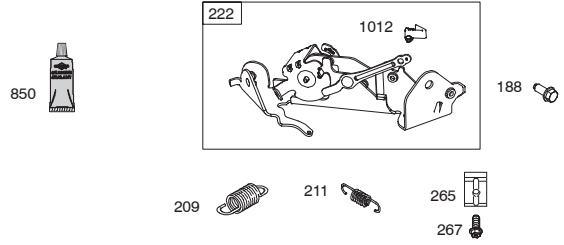
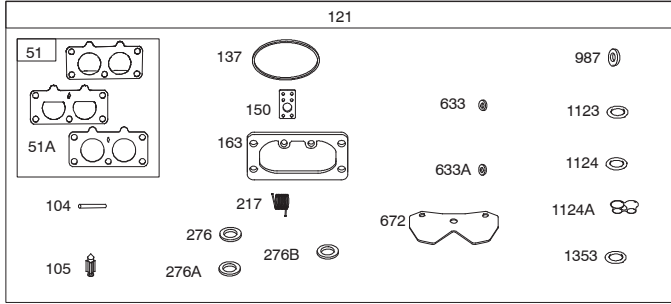
BRIGGS & STRATTON ENGINE - - MODEL NUMBER 44S877, TYPE NUMBER 0032-G1

48	1036	1058	1329	1330
----	------	------	------	------

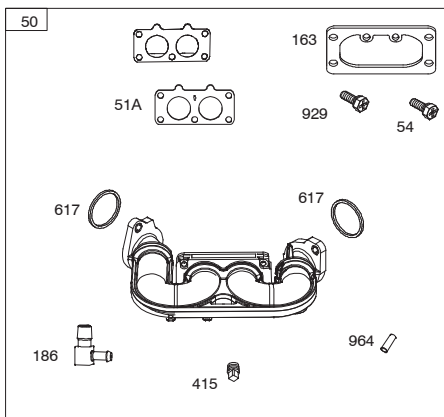
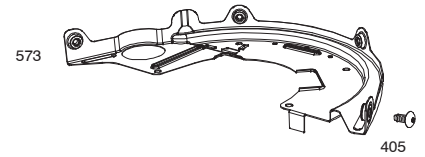
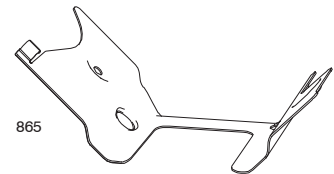
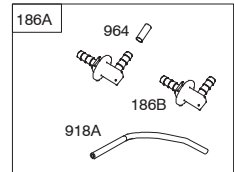
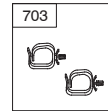
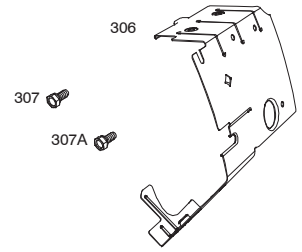
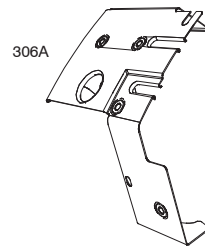
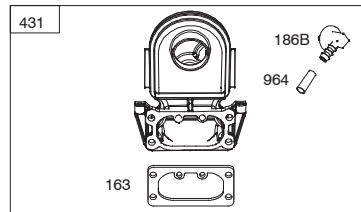
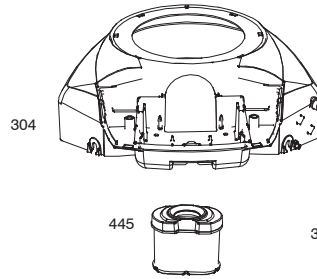
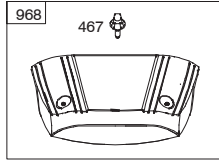
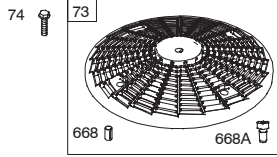
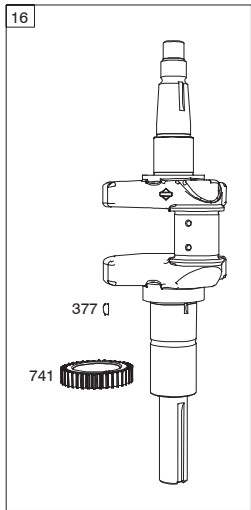
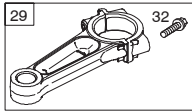
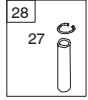
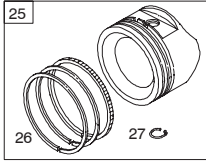


TRACTOR - - MODEL NUMBER 944.604410

BRIGGS & STRATTON ENGINE - - MODEL NUMBER 44S877, TYPE NUMBER 0032-G1

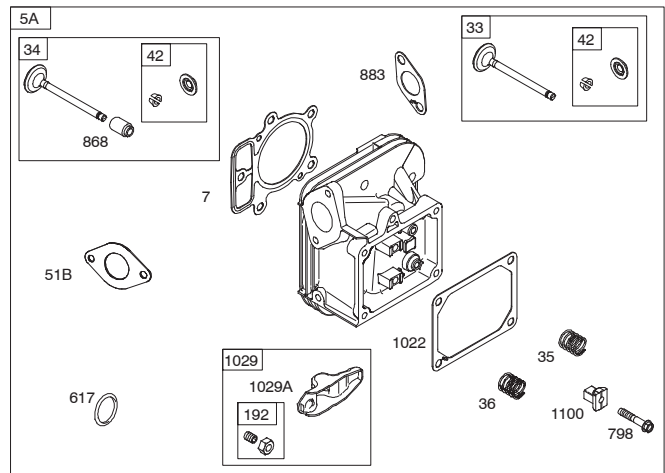
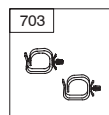
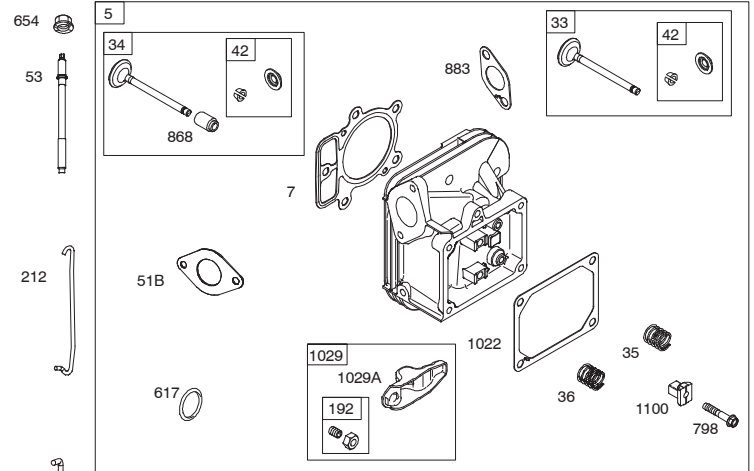
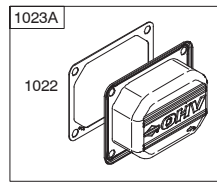
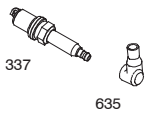
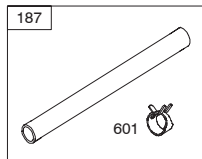
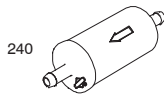
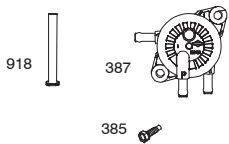
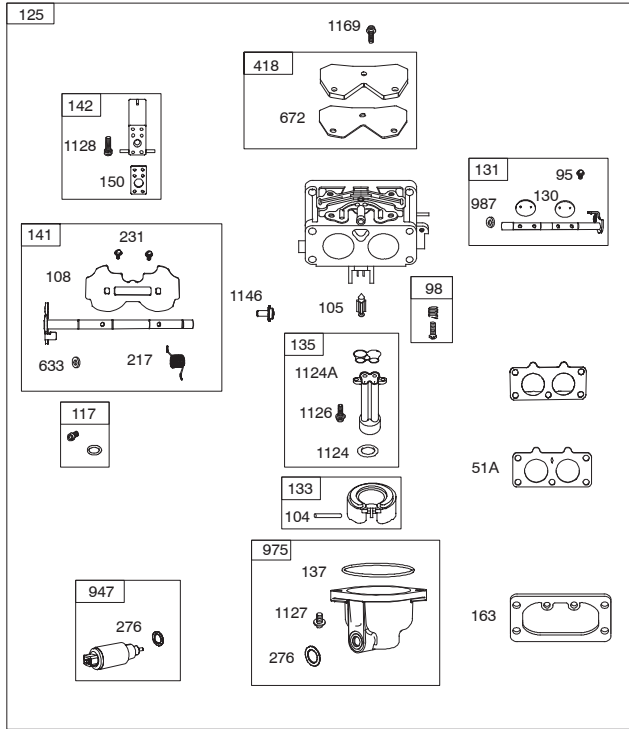


TRACTOR - - MODEL NUMBER 944.604410
BRIGGS & STRATTON ENGINE - - MODEL NUMBER 44S877, TYPE NUMBER 0032-G1



TRACTOR - - MODEL NUMBER 944.604410

BRIGGS & STRATTON ENGINE - - MODEL NUMBER 44S877, TYPE NUMBER 0032-G1



TRACTOR - - MODEL NUMBER 944.604410

BRIGGS & STRATTON ENGINE - - MODEL NUMBER 44S877, TYPE NUMBER 0032-G1

KEY NO.	PART NO.	DESCRIPTION	KEY NO.	PART NO.	DESCRIPTION
1	591695	Cylinder Assembly	133	699724	Float-Carburetor
2	797673	Bushing/Seal Kit (Magneto Side)	135	699729	Tube-Fuel Transfer
3	391086s	Seal-Oil (Magneto Side)	137	690994	Gasket-Float Bowl
4	796307	Sump-Engine	141	796228	Kit-Choke Shaft
5	799088	Head-Cylinder (Cylinder #1)	142	796871	Nozzle-Carburetor
5A	799089	Head-Cylinder (Cylinder #2)	150	841649	Gasket-Nozzle
7	693997	Gasket-Cylinder Head	163	691001	Gasket-Air Cleaner
8	792185	Breather Assembly	186	795985	Connector-Hose (Intake Manifold)
9	690937	Gasket-Breather	186A	799158	Connector-Hose (EVAP)
10	691108	Screw (Breather Assembly)	186B	845141	Connector-Hose (EVAP)
11	792184	Tube-Breather	187	791766	Line-Fuel (Cut to Required Length)
12	591911	Gasket-Crankcase	188	691108	Screw (Control Bracket)
13	793988	Screw (Cylinder Head)	192	690083	Adjuster-Rocker Arm
15	690946	Plug-Oil Drain	209	798921	Spring-Governor (Orange)
16	796256	Crankshaft	211	691019	Spring-Governed Idle (No Color)
20	795387	Seal-Oil (PTO Side)	212	695238	Link-Throttle
22	694966	Screw (Crankcase Cover/Sump)	216	796229	Link-Choke
23	691053	Flywheel	217	799771	Spring-Choke Return
24	222698s	Key-Flywheel (Aluminum)	219	793338	Gear-Governor
25	792023	Piston Assembly (Standard)	220	799772	Washer (Governor Gear)
	792072	Piston Assembly (.020" Oversize)	221	841026	Cup-Governor
26	792026	Ring Set (Standard)	222	592555	Bracket-Control
	792073	Ring Set (.020" Oversize)	227	798856	Lever-Governor Control
27	690975	Lock-Piston Pin	231	690718	Screw (Choke Valve)
28	696581	Pin-Piston	240	695666	Filter-Fuel
29	796209	Rod-Connecting	250	690957	Retainer-Breather
32	690976	Screw (Connecting Rod)	252	794389	Collector-Oil
33	793557	Valve-Exhaust	265	691024	Clamp-Casing
34	793556	Valve-Intake	267	792629	Screw (Casing Clamp)
35	694865	Spring-Valve (Intake)	276	695410	Washer-Sealing (Aluminum)
36	694865	Spring-Valve (Exhaust)	276A	690997	Washer-Sealing (Fiber)
42	499586	Keeper-Valve	276B	794271	Washer-Sealing
45	690977	Tappet-Valve	287	697820	Screw (Dipstick Tube)
46	797242	Camshaft	304	591668	Housing-Blower
48	N/A	Short Block (Not Available At This Printing)	305	691005	Screw (Blower Housing) (1/4-20x.66)
50	591784	Manifold-Intake	305A	790690	Screw (Blower Housing) (Blower Housing to Intake Elbow)
51	795123	Gasket-Intake	305B	691061	Screw (Blower Housing) (#8-32x.87)
51A	690950	Gasket-Intake			
51B	690949	Gasket-Intake			
53	690951	Stud (Carburetor)	306	591666	Shield-Cylinder (Cylinder #2)
54	699816	Screw (Intake Manifold)	306A	796852	Shield-Cylinder (Cylinder #1)
73	494439	Screen-Rotating	307	691003	Screw (Cylinder Shield)
74	698425	Screw (Rotating Screen)	307A	691108	Screw (Cylinder Shield) (1/4-20x.66)
75	691056	Washer (Flywheel)			
95	690718	Screw (Throttle Valve)	309	497595	Motor-Starter
98	699721	Kit-Idle Speed	310	690323	Screw (Starter Motor)
104	694918	Pin-Float Hinge	311	497608	Brush Set
105	797410	Valve-Float Needle	332	691059	Nut (Flywheel)
108	699723	Valve-Choke	333	592846	Armature-Magneto
117	842585	Jet-Main (Standard) (Left and Right Jet)	334	691061	Screw (Magneto Armature)
			337	792015	Plug-Spark
118	791502	Jet-Main (High Altitude) (Left and Right Jet) (5000/9000 Feet)	358	694012	Gasket Set-Engine
			367	697820	Screw (Wire Clip)
121	797890	Kit-Carburetor Overhaul	377	690979	Key-Woodruff
125	796997	Carburetor	385	797409	Screw (Fuel Pump)
130	690993	Valve-Throttle	387	808656	Pump-Fuel
131	499805	Kit-Throttle Shaft	404	690442	Washer (Governor Crank)

TRACTOR - - MODEL NUMBER 944.604410

BRIGGS & STRATTON ENGINE - - MODEL NUMBER 44S877, TYPE NUMBER 0032-G1

KEY NO.	PART NO.	DESCRIPTION	KEY NO.	PART NO.	DESCRIPTION	
405	697820	Screw (Back Plate)	918A	799160	Hose-Vacuum (EVAP)	
415	794903	Plug	929	695239	Screw (Choke Control Bracket)	
418	795912	Plate-Carburetor	943	796222	Seal-O Ring (Oil Pump Cover) (Square Cut) (I.D. 2.48)	
431	798860	Elbow-Intake			Seal-O Ring (Oil Pump Cover)	
445	593240	Filter-Air Cleaner Cartridge	943A	690589	Solenoid-Fuel	
447	691003	Screw (Air Guide Cover) (#10-24x.43)	947	798779	Cap-Connector	
462	691261	Washer (Starter Cable)	964	799159	Cover-Oil Pump	
467	790697	Knob-Air Cleaner	965	796221	Cover-Air Cleaner	
474	592830	Alternator	968	795120	Bowl-Fuel	
501	845907	Regulator	975	796777	Seal-Throttle Shaft	
503	691532	Strap-Starter	987	691000	Fan-Flywheel	
505	691029	Nut (Governor Control Lever)	1005	791236	Retainer-Link	
510	696541	Drive-Starter	1012	592556	Nipple-Oil Filter	
513	692024	Clutch-Drive	1013	690954	Screen-Oil Pump	
523	691036	Dipstick	1017	796214	Gasket-Rocker Cover	
524	691032	Seal-Dipstick Tube	1022	690971	Cover-Rocker (Cylinder #1)	
525	691037	Tube-Dipstick	1023	793146	Cover-Rocker (Cylinder #2)	
526	691108	Screw (Regulator)	1023A	499600	Pump-Oil	
552	796638	Bushing-Governor Crank	1024	796220	Rod-Push (Exhaust) (Steel)	
552A	690553	Bushing-Governor Crank	1026	690981	Rod-Push (Intake) (Aluminum)	
562	690311	Screw (Governor Control Lever)	1026A	690982	Filter-Oil	
573	790444	Plate-Back	1027	795890	Arm-Rocker	
601	691038	Hose-Clamp (Black)	1029	690972	Arm-Rocker	
615	698290	Retainer-Governor Shaft	1029A	807323	Label-Emissions (Available from a Briggs & Stratton Authorized Dealer)	
616	691045	Crank-Governor	1036		Plate-Trim	
617	697891	Seal-O Ring (Intake Manifold) (Red)			Ring-Retaining	
633	699813	Seal-Choke/Throttle Shaft (Choke Shaft)	1040	791237	Operator's Manual	
633A	690998	Seal-Choke/Throttle Shaft	1051	691265	Kit-Screw/Washer (Alternator)	
635	66538s	Boot-Spark Plug	1058	381258TRI	Screw (Flywheel Fan)	
654	690958	Nut (Carburetor) (Serrated)	1059	698516	Retainer-Brush	
668	691500	Spacer (Rotating Screen)	1070	592604	Gasket Set-Valve	
668A	691215	Spacer (Rotating Screen)	1090	691293	Pivot-Rocker Arm	
672	690234	Gasket-Carburetor Plate	1095	694013	Screw (Alternator)	
691	790574	Seal-Governor Shaft	1100	791959	Seal-O Ring (Solenoid Retainer)	
697	591909	Screw (Drive Cap)	1119	691183	Seal-O Ring (Fuel Transfer Tube)	
703	691010	Clip (Fuel Line)	1123	690987	Seal-O Ring (Fuel Transfer Tube)	
718	690959	Pin-Locating	1124	841653	Screw (Fuel Transfer Tube)	
729	797454	Clip-Wire	1124A	690988	Screw (Float Bowl)	
741	690980	Gear-Timing	1126	690991	Screw (Carburetor Nozzle)	
742	690328	Retainer-E Ring	1127	695407	Screw (Choke Shaft)	
750	796208	Screw (Oil Pump Cover)	1128	690990	Screw (Carburetor Cover Plate)	
783	695708	Gear-Pinion	1146	690991	Replacement Engine (Not Available At This Printing)	
789	591392	Harness-Wiring	1169	690990	Repair Manual (Not Available At This Printing)	
797	693167	Nut (Brush Retainer)	1329	N/A	Seal-O Ring (Fuel Transfer Tube Extension)	
798	697890	Screw (Rocker Arm)				
801	691283	Cap-Drive	1330	N/A		
802	691286	Cap-End				
842	691031	Seal-O Ring (Dipstick Tube)	1353	699725		
847	499602	Dipstick/Tube Assembly				
850	100106	Sealant-Liquid				
851	493880s	Terminal-Spark Plug				
865	591667	Cover-Air Guide (Valley)				
868	690968	Seal-Valve				
883	690970	Gasket-Exhaust				
914	691127	Screw (Rocker Cover)				
918	797408	Hose-Vacuum (Rocker Cover #1)				

NOTE: All component dimensions given in U.S. inches
1 inch = 25.4 mm

SERVICE NOTES

GENERAL: Craftsman products are warranted to be free from defects in materials or workmanship for a specific time period as set-out below (the "Warranty Period"). Warranties extend to the original purchaser of a Craftsman product only. Purchases made through an online auction or through any website other than www.sears.ca are excluded. The relevant Warranty Period commences on the original date of purchase. Within this period, SEARS CANADA, Inc. will, at its sole option, repair or replace any products or components which fail in normal use. Such repairs or replacement will be made at no charge to the customer for parts or labor, provided that the customer shall be responsible for any transportation cost.

EXCLUSIONS: This warranty does not cover failures due to normal wear, abuse, misuse, neglect (including but not limited to the use of stale fuel, dirt, abrasives, moisture, rust, corrosion, or any adverse reaction due to improper storage or use habits), improper maintenance or failure to follow maintenance guidelines and/or instructions, failure to operate the product in accordance with the owner's manual or any additional instructions or information provided at the time of purchase or in subsequent communications with the original purchaser, accident or unauthorized alterations or repairs made or attempted by others. Also excluded from warranty coverage - except as provided below - are the following: maintenance, adjustments, components subject to wear including but not limited to: cosmetic components, belts, blades, blade adapters, bulbs, tires, filters, guide bars, lubricants, seats, grips, recoil assy's, saw chains and bars, trimmer lines and spools, spark plugs, starter ropers and tines, and discoloration resulting from ultraviolet light. Any product missing the model and/or serial number identification label will be disqualified from coverage under this warranty.

REPAIRS: Repairs have a 90 day warranty. If the defective product is still within the Warranty Period, then the new warranty is 90 days from the date of repair or to the end of the original Warranty Period, whichever period is longer.

DISCLAIMERS: THE WARRANTIES AND REMEDIES CONTAINED HEREIN ARE EXCLUSIVE AND IN LIEU OF ALL OTHER WARRANTIES, WHETHER ORAL OR WRITTEN (OTHER THAN AS STATED HEREIN), AND WHETHER EXPRESS, IMPLIED OR STATUTORY, INCLUDING BUT NOT LIMITED TO ANY. THIS WARRANTY GIVES YOU SPECIFIC LEGAL RIGHTS, WHICH MAY VARY FROM PROVINCE TO PROVINCE.

IN NO EVENT SHALL SEARS BE LIABLE FOR ANY INCIDENTAL, SPECIAL, INDIRECT OR CONSEQUENTIAL DAMAGES, WHETHER RESULTING FROM THE USE, MISUSE OR INABILITY TO USE THE PRODUCT OR FROM DEFECTS IN THE PRODUCT. THE EXCLUSIONS IN THIS PARAGRAPH SHALL NOT APPLY IN JURISDICTIONS WHERE APPLICABLE LAW DOES NOT ALLOW FOR THE EXCLUSION OF INCIDENTAL OR CONSEQUENTIAL DAMAGES. IN SUCH JURISDICTIONS, THIS PARAGRAPH SHALL NOT APPLY, BUT THE REMAINING PROVISIONS OF THIS DOCUMENT SHALL REMAIN VALID.

SEARS retains the exclusive right to repair or replace the product or offer a full refund of the purchase price at its sole discretion. SUCH REMEDY SHALL BE YOUR SOLE AND EXCLUSIVE REMEDY FOR ANY BREACH OF WARRANTY.

CUSTOMER RESPONSIBILITIES: In addition to complying with all suggested maintenance guidelines and instructions, customers' obligations shall include but shall not be limited to: operating the product in accordance with the owner's manual or any additional instructions or information provided at the time of purchase or in subsequent communications to the purchaser from time to time, exhibit reasonable care in the use, operation, maintenance, general upkeep and storage of the product. Failure to comply with these requirements will void any applicable warranty.

LIST OF APPLICABLE WARRANTY PERIODS: The following list contains the applicable Warranty Period for your Craftsman product and is based on a combination of the type of product or component and the intended and actual use of the product or component:

1. **90 DAYS:** Craftsman products intended for use or actually used for commercial, institutional, professional or income-producing purposes
2. **2 YEARS:** Craftsman riding lawn mowers, yard and garden tractors, walk behind mowers, tillers, brush cutters, snow blowers, handheld blowers, backpack blowers, hedge trimmers and electrical products for noncommercial, nonprofessional, non-institutional, or non-income-producing use, except for those components which are part of engine systems manufactured by third party engine manufacturers for which the purchase has received a separate warranty with product information supplied at the time of purchase.
3. **1 YEAR:** Craftsman power cutters, stump grinders, pole pruners, gas chain saws, electric chain saws, trimmer attachments, baggers and pole saws for noncommercial, nonprofessional, non-institutional, or non-income-producing use.
4. **90 DAYS:** All defective batteries, which will be replaced during this 90-day Warranty Period.
5. **60 DAYS:** Additional Warranty Period of 60 days will apply to adjustments and worn products or components BUT DOES NOT INCLUDE WEAR OR ADJUSTMENTS for products used for commercial, institutional, professional or income-producing purposes. Wear items include but are not limited to: belts, blades, tires, spark plugs, air filters, chains, shear bolts, skid plates, scraper bars, drift cutters, ropes, tines, collection bags and pulleys.

As the Warranty Period runs from the date of purchase and NOT from the date that a product is delivered, opened, assembled or first used, please ensure during this time period that your product or component has been assembled and tested for correction operation regardless of when you intend to actually use it. Claims made after the Warranty Period has expired will not be honored.

PROOF OF PURCHASE/DOCUMENTATION: Warranty coverage is conditioned upon the original purchaser furnishing SEARS CANADA or its authorized third party service provider if applicable, with the original sales receipt or other adequate written proof of the original purchase date and identification of the product. In the event that the original purchaser is unable to provide a company of the original sales receipt, SEARS CANADA Inc. reserves the right to determine in its sole discretion what other written proof of the original purchase date and identification of the product is acceptable.

Get it fixed, at your home or ours!

Just Call:

1-800-4-MY-HOME[®]

(1-800-469-4663)

24 hours a day, 7 days a week

For the repair of major brand appliances **in your own home...**
no matter who made it, no matter who sold it!

For your nearest **Sears Parts and Service** location,
to bring in products like vacuums, lawn equipment and electronics.

For **Sears Parts & Service**, to order the replacement parts,
accessories and owner's manuals that you need to do-it-yourself.

www.sears.ca

To purchase or inquire about a Sears Maintenance Agreement, call:

1-800-361-6665

9 a.m. – 11 p.m. Mon. – Fri., EST, 9 a.m. – 4 p.m. Sat.

Pour service en français:

1-800-LE-FOYER^{MC}

(1-800-533-6937)

www.sears.ca



® / TM Trademarks of Sears Brands Management Corporation used under license by Sears Canada

^{MD} Marque déposée / ^{MC} Marque de commerce de Sears Brands Management Corporation utilisée en vertu d'une licence de Sears Canada

Faites-le réparer, à domicile ou à l'atelier!

Téléphonez au:
1-800-LE-FOYER^{MC}
(1-800-533-6937)
24 heures par jour, 7 jours par semaine

Pour la réparation des appareils électroménagers de grandes marques
à votre domicile ... peu importe le fabricant ou le détaillant!

Pour connaître l'emplacement du **Service des pièces et de l'entretien**
Sears le plus proche afin d'apporter à l'atelier des produits tels que
des aspirateurs, tondeuses à gazon ou appareils électroniques.

Pour connaître le no. de téléphone du **Service des pièces et de l'entretien**
Sears afin de commander les pièces de rechange, accessoires et
manuels d'instructions requis pour effectuer vous-même les réparations.

www.sears.ca

Pour acheter ou demander des renseignements
sur un contrat d'entretien Sears, téléphonez au:
1-800-361-6665

de 9 h à 23 h du lundi au vendredi (HNE), de 9 h à 16 h le samedi!

For service in English:
1-800-4-MY-HOME[®]
(1-800-469-4663)
www.sears.ca



GÉNÉRALITÉS : Les produits Craftsman sont garantis contre tout défaut de matériaux ou de fabrication pendant une période de temps précise, telle qu'établie ci-dessous (la « période de garantie »). En outre, cette garantie est offerte uniquement à l'acheteur initial du produit Craftsman. Les achats effectués par l'entremise d'un encan en ligne ou sur tout site Web autre que www.sears.ca sont exclus. La période de garantie débute à la date de l'achat initial. Au cours de cette période, Sears Canada, Inc. s'engage, à sa seule discrétion, à réparer ou à remplacer tout produit ou composant de produit défectueux dans des conditions d'utilisation normale. La réparation ou le remplacement sera effectué pour le client sans frais de pièces ni de main-d'œuvre, à condition que le client prenne à sa charge les frais de transport.

EXCLUSIONS: La présente garantie ne couvre pas les détériorations dues à l'usage normale, l'utilisation inappropriée ou abusive, la négligence (y compris s'y restreindre, l'absence d'entretien, la poussière, les abrasifs, l'humidité, la rouille, la corrosion ou tout autre effet indésirable, imputable à un entreposage ou à des habitudes d'utilisation inappropriées), un mauvais entretien, le non-respect des consignes ou directives d'entretien, l'utilisation de l'appareil contrairement aux instructions fournies dans le manuel d'entretien ou aux consignes ou informations données à l'acheteur initial, au moment de l'achat ou au cours de communications subséquentes avec lui, un accident ou un autre modification ou des réparations non autorisées effectuées ou tentées par d'autres. Sont également exclus de la couverture de la garantie - sauf indication fournie ci-dessous - les éléments suivants : traux d'entretien, réglages, composants sujets à l'usure, y compris mais sans s'y restreindre : les composants esthétiques, courroies, lames, adaptateurs de lame, ampoules, pneus, filtres, barres de guidage, lubrifiants, sièges, poignées, logements de démarrage et fils de tondeuse à tonte, bougies, cordes de démarrage et dents, ainsi que les décolorations résultant de l'exposition aux rayons ultraviolets. Tout produit ne portant pas son étiquette d'identification avec son numéro de modèle ou de série sera exclu de la protection offerte par la présente garantie.

RÉPARATIONS : Les réparations sont garanties pendant une période de 90 jours. Si le produit défectueux est toujours couvert par la garantie, la nouvelle garantie est de 90 jours à compter de la date de la réparation ou jusqu'à la fin de la période de garantie initiale, selon la plus longue des échéances.

RESTRICTIONS ET RECOURS DÉFINIS DANS LES PRÉSENTES SONT EXCLUSIFS ET REMPLACENT TOUTE AUTRE GARANTIE, QUELLE SOIT VERBALE OU ÉCRITE (AUTRE QUE CELLES ÉNONCÉES DANS LES PRÉSENTES) OU QUELLE SOIT EXPRESSE, IMPLICITE OU PRÉVUE PAR LA LOI, SANS SE RESTREINDRE À AUCUNE. LA PRÉSENTE GARANTIE VOUS CONFÈRE DES DROITS JURIDIQUES PRÉCIS, POUVANT DIFFÉRER D'UNE PROVINCE À L'AUTRE. SEARS NE POURRA EN AUCUN CAS ÊTRE TENUE RESPONSABLE DE TOUT DOMMAGE ACCESSOIRE, SPÉCIAL, INDIRECT OU CONSÉCUTIF, QUI RÉSULTERAIT DE L'UTILISATION, DU MÉSUSAGE OU DE L'INCAPACITÉ D'UTILISER LE PRODUIT OU QUI DÉCOULERAIT DE DÉFECTUOSITÉS DU PRODUIT. LES EXCLUSIONS DU PRÉSENT PARAGRAPHE NE S'APPLIQUENT PAS DANS LES TERRITOIRES OU LA LOI NE PERMET PAS L'EXCLUSION DES DOMMAGES ACCESSOIRES OU CONSÉCUTIFS. DANS CES TERRITOIRES, LE PRÉSENT PARAGRAPHE SERA SANS EFFET, MAIS SEARS conserve le droit exclusif de réparer ou de remplacer le produit ou encore d'offrir un remboursement complet de son prix d'achat, à sa seule discrétion. CE RECOURS SERA LE SEUL ET UNIQUE RECOURS DONT VOUS DISPOSEREZ EN CAS D'INEXÉCUTION QUELLE QU'ELLE SOIT DE LA GARANTIE.

RESPONSABILITÉS DU CLIENT: En plus d'observer toutes les consignes et directives d'entretien, le client doit s'acquitter, entre autres, des obligations suivantes : utiliser le produit conformément aux consignes de la notice d'entretien et aux directives ou informations additionnelles fournies à l'acheteur au moment de l'achat ou à l'occasion de communications subséquentes ; faire preuve d'un soin raisonnable pour l'utilisation, le fonctionnement, l'entretien général, le maintien en bon état et l'entreposage du produit. Le manquement à ces obligations entraînera une annulation de la garantie applicable.

LISTE DES PÉRIODES DE GARANTIE APPLICABLES: La liste ci-dessous indique la période de garantie applicable aux divers produits Craftsman qu'elle couvre ; la période accordée tient compte du type de produit ou de composants et du type d'utilisation prévue ou effective de l'appareil ou du composant :

1. **90 JOURS** - Produits Craftsman devant être ou étant effectivement utilisés à des fins commerciales, institutionnelles, professionnelles ou lucratives.
2. **2 ANS** - Les produits de marque Craftsman suivants : tondeuses à conducteur porté, tracteurs de jardin, tondeuses à contrôle arrière, motocyclettes, débroussaillieurs, soufflées à neige, soufflées portatives, soufflées dorsales, taille-bordures et produits électriques à usage non commercial, non professionnel, non institutionnel ou non lucratif, sauf les composants faisant partie de systèmes de moteur fabriqués par des tiers pour lesquels l'acheteur a reçu une garantie séparée ainsi que des renseignements sur le produit, au moment de l'achat.
3. **1 AN** - Produits de marque Craftsman suivants : coupeaux électriques, broyeurseuses de souches, ébranchoirs, scies à chaîne à essence, scies à chaîne électriques, accessoires de taille-bordures, sacs et scies à long manche utilisées à des fins non commerciales, non professionnelles, non institutionnelles et non lucratives.
4. **90 JOURS** - Toutes les batteries défectueuses, qui seront remplacées pendant une période de garantie de 90 jours.
5. **60 JOURS** - Une période de garantie additionnelle de 60 jours s'appliquera pour le réglage ou l'usure de produits ou de fins commerciaux, institutionnelles, professionnelles ou lucratives. Les articles sujets à l'usure englobent, sans s'y restreindre : les courroies, lames, pneus, bougies, filtres à air, chaînes, boudins de cisaillement, plaques de protection, barres de raclage, coupe-congères, cordons, dents, sacs collecteurs et poules.

Étant donné que la période de garantie débute à la date d'achat et NON à la date à laquelle le produit est livré, l'emballage ouvert et l'appareil assemblé ou utilisé la première fois, assurez-vous que votre produit ou composant est assemblé et mis à l'essai pour en vérifier le bon fonctionnement, quel que soit le moment où vous prévoyez commencer à l'utiliser réellement. Les réclamations présentées après l'expiration de la garantie ne seront pas acceptées.

PREUVE D'ACHAT ET DOCUMENTS: La protection de la garantie est conditionnelle à la présentation par l'acheteur initial, à Sears Canada ou à son fournisseur de service autorisé s'il y a lieu, de la facture ou de toute autre preuve d'achat appropriée indiquant la date de l'achat et désignant le produit. Dans le cas où l'acheteur initial serait dans l'impossibilité de fournir une copie de sa facture, Sears Canada Inc. se réserve le droit d'établir, à sa seule discrétion, quelle autre preuve écrite de la date d'achat initial et de la désignation du produit est acceptable.

TRACTEUR - - NUMÉRO DE MODÈLE 944.604410
MOTEUR "BRIGGS & STRATTON" - NO. DE MODÈLE 44S877, NO. DE TYPE 0032-G1

NO. DE PIÈCE	DESCRIPTION	NO. DE PIÈCE	DESCRIPTION
418	Plat-Carburateur	943	Anneau de Joint-O (couverture de
431	Conde de prise	943A	pompe d'huile) (carré)
445	Cartouche de décapant de Filtre-Air	943A	Anneau de Joint-O (couverture de
462	Vis	947	Solénoïde-Carburant
467	Rondelle	798779	Chapeau-Connecteur
474	Décapant de Bouton-Air	799159	Pompe de Couvrir-Huile
501	Régulateur	968	Décapant de Couvrir-Air
503	Sûpport du démarreur	796777	Cuve de Carburateur
505	Ecrou de Levier de Régulateur	691000	Axe de Joint-Commande de puis-
510	Conduire-Démarreur	987	sance
513	Embrayage-Conduisez	791236	Ventilateur de Volant du Moteur
523	Jauge de Remplissage d'huile	592556	Jonction de retenue
524	Joint d'étanchéité, Tube de Remplis-	1012	Filtre de Mamelon-Huile
525	Tube de Remplissage d'huile	1017	Ecran de pompe d'huile
526	Vis (Régulateur)	796214	Couverature de Balancier (Cyl. 2)
552	Douille, Manivelle du Régulateur	499600	Pompe d'huile
552A	Douille, Manivelle du Régulateur	1023A	Tige à Frein (Steel)
562	Vis de Levier de Régulateur	1026	Tige à Frein (Aluminium)
573	Plat-En arrière	690981	Filtre à huile
601	Bride de Serrage de Tuyau (Black)	1026A	Bras de Balancier
615	Attâche, Arbre de Régulateur	1027	Bras de Balancier
616	Manivelle du Régulateur	690972	Jeu d'étriquette (Fourni par un reven-
617	Anneau de Joint-o (tubulure de prise)	1029A	deur autorisés Briggs & Stratton)
633	(Red)	1040	Plat d'équilibré
633A	Siège de Arbre de Starter / Papillon	791237	Circlip
635	Conde de Bougie d'allumage	1051	Le manuel de l'opérateur
654	Ecrou (Carburateur)	1059	Jeu, Vis/Rondelle (Alternateur)
668	Entretoise, Sûpport de Commande	592604	Vis, Ventilateur de Volant du Moteur
668A	Entretoise, Sûpport de Commande	1070	Arrêtior de brosse
672	Plat de Garniture-Carburateur	691293	Fixée, Garnitures du Soupape
691	Joint d'axe du Gouverneur	1095	Pivot, Tige à Frein
697	Vis, Moteur de Rebobinage	791959	Vis, Alternateur
703	Agrafe	690987	Anneau de Joint-O (Solénoïde)
718	Goupille de Emplacement	1123	Anneau de Joint-O (renvoi des billes
729	Agrafe-Fil	1124	de carburant)
741	Vitesse de Distribution	690988	Anneau de Joint-o (renvoi des billes
742	Bague en E	1124A	de carburant)
750	Vis, (Pompe de Couvrir-Huile)	1126	Vis (renvoi des billes de carburant)
783	Vitesse-Fignon	695407	Vis, Cuve de Flotteur
789	Harnais-Câblage	1127	Vis (dec de carburateur)
797	Ecrou	690991	Vis
798	Vis, Couverture de Balancier	690990	Vis (plat de carburateur)
801	Chapeau-Conduisez	1169	Moteur de rechange (Non disponible
802	Monture	1329	lorsque le manuel a été imprimé)
842	Joint Torique, d'étanchéité	N/A	Réparez le manuel (Non disponible
847	Ensemble des Tube et Jauge de Rem-	N/A	lorsque le manuel a été imprimé)
850	Mastic-Liquide	699725	Anneau de Joint-O (Tuyau de carburant)
851	Borne, Bougie d'allumage		Jeu de révision de carburateur
865	Guide de Couvrir-Air (vallée)		Jeu de garniture de moteur
868	Joint d'étanchéité, Soupape		Jeu de garniture de valve
883	Garniture d'échappement		
914	Vis, Couverture de Balancier		
918	Tuyau-Vide (couverture de culbuteur)		
918A	Tuyau-Vide (EVAF)		
929	Vis (sûpport de commande de bobine)		

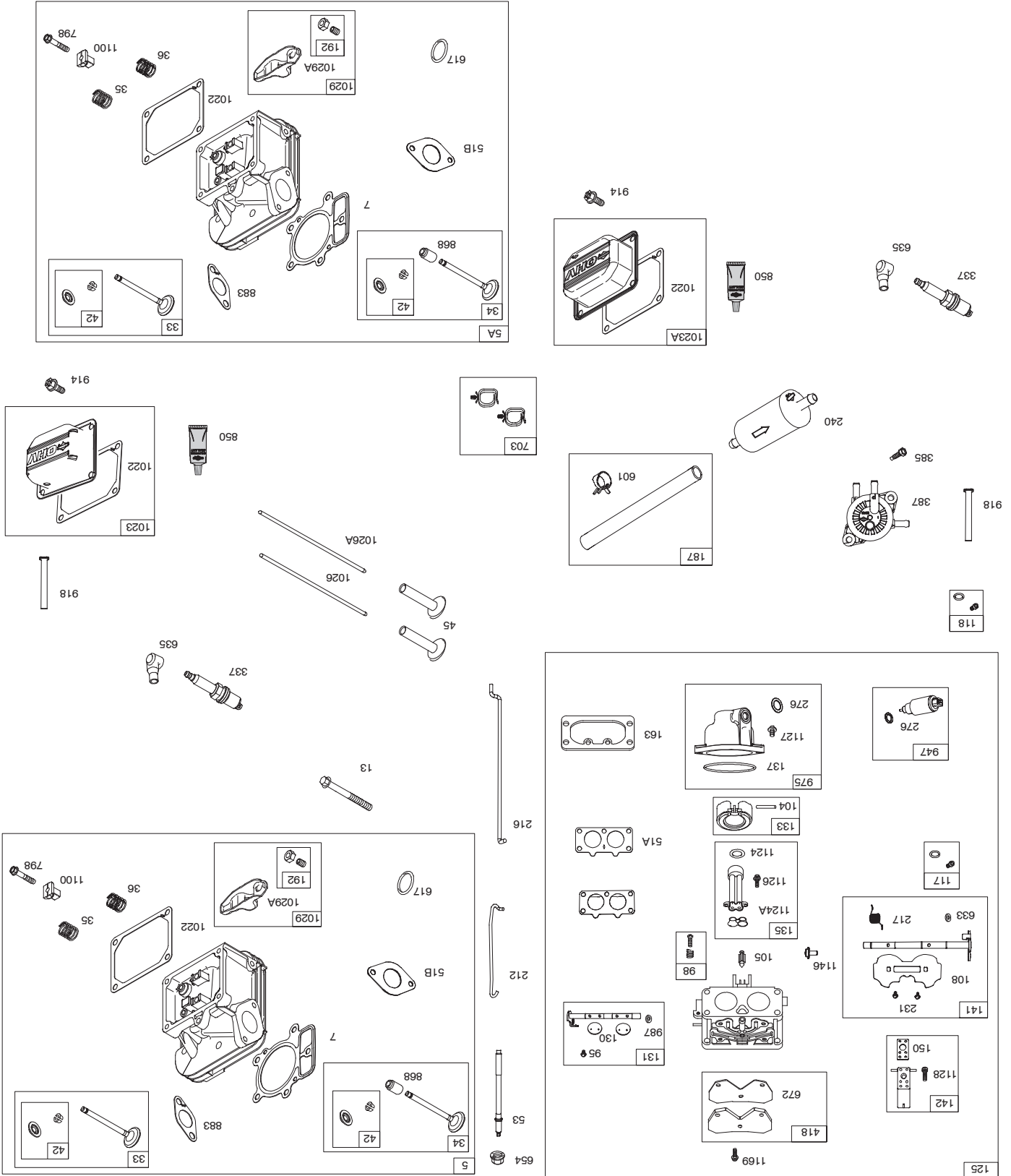
REMARQUE: Toutes les dimensions de composant sont données en pouce d'E.-U. - - 1 pouce = 25,4 mm.

Key No. 121
 Key No. 358
 Key No. 1095

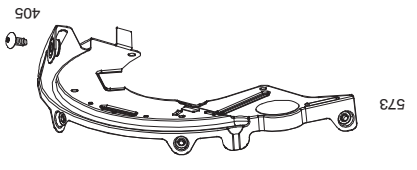
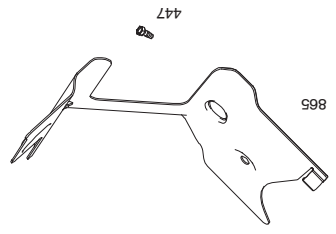
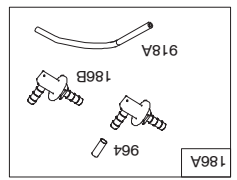
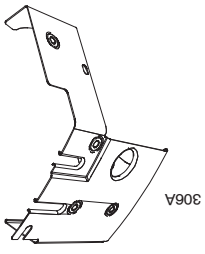
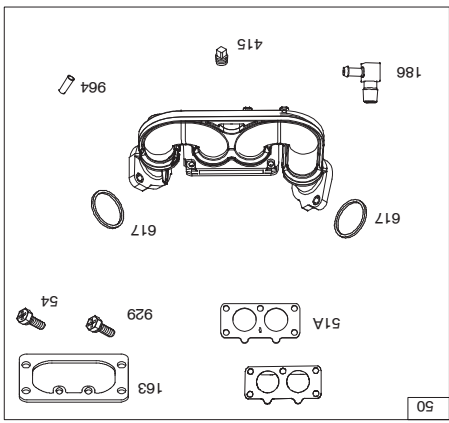
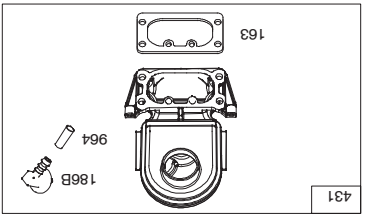
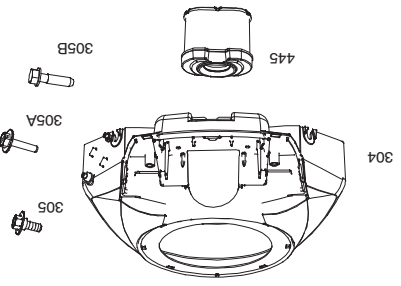
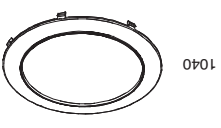
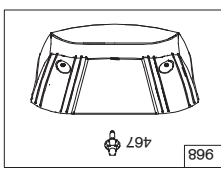
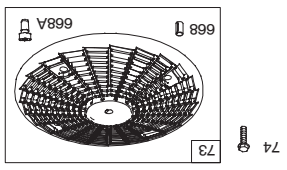
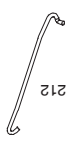
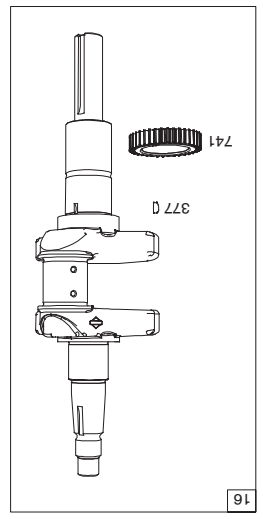
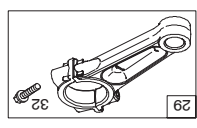
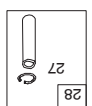
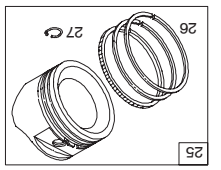
**TRACTEUR - - NUMÉRO DE MODÈLE 944.604410
MOTEUR "BRIGGS & STRATTON" - NO. DE MODÈLE 44S877, NO. DE TYPE 0032-G1**

NO. DE REF.	DESCRIPTION	NO. DE REF.	DESCRIPTION
1	Ensemble du Cylindre	133	Ensemble du Cylindre
2	Douille de Cylindre (Côté Magneto)	135	Douille de Cylindre (Côté Magneto)
3	Bague d'étanchéité (Côté Magneto)	137	Bague d'étanchéité (Côté Magneto)
4	Carter de vidange-Moteur	141	Carter de vidange-Moteur
5	Tête de Cylindre (Cyl 1)	142	Tête de Cylindre (Cyl 1)
5A	Tête de Cylindre (Cyl 2)	150	Tête de Cylindre (Cyl 2)
7	Garniture de la Tête de Cylindre	163	Garniture de la Tête de Cylindre
8	Assemblée de reniflard	186	Assemblée de reniflard
9	Garniture de reniflard	186A	Garniture de reniflard
10	Vis (Assemblée de reniflard)	186B	Vis (Assemblée de reniflard)
11	Tube de Reniflard	187	Tube de Reniflard
12	Garniture du Carter-moteur	188	Garniture du Carter-moteur
13	Vis de Tête de Cylindre	192	Vis de Tête de Cylindre
15	Bouchon de Vidange d'huile	209	Bouchon de Vidange d'huile
16	Vilbrequin	211	Vilbrequin
20	Bague d'étanchéité (Côté PTO)	212	Bague d'étanchéité (Côté PTO)
22	Vis de Montage de Bac à Sems	216	Vis de Montage de Bac à Sems
23	Volant Magneto	217	Volant Magneto
24	Cle de Volant	219	Cle de Volant
25	Ensemble du Piston, Standard	220	Ensemble du Piston, Standard
26	Ensemble du Piston, 0,020" OS	221	Ensemble du Piston, 0,020" OS
27	Jeu des Segments de Piston, Std.	222	Jeu des Segments de Piston, Std.
27	Verrou de l'axe de Piston	227	Verrou de l'axe de Piston
28	Axe de Piston	231	Axe de Piston
29	Ensemble de la Bielle	240	Ensemble de la Bielle
32	Vis de Bielle	250	Vis de Bielle
33	Soupape d'échappement	252	Soupape d'échappement
34	Soupape d'admission	265	Soupape d'admission
35	Ressort de Soupape d'admission	267	Ressort de Soupape d'admission
36	Ressort de Soupape d'échappement	276	Ressort de Soupape d'échappement
42	Guide à Soupape	276A	Guide à Soupape
45	Poussoir à Soupape	276B	Poussoir à Soupape
46	Engrenage de Came	287	Engrenage de Came
48	N/A	304	Bloc Court (Non disponible lorsque le manuel a été imprimé)
50	Coude de prise	305A	Coude de prise
51	Garniture de Coude d'admission	305B	Garniture de Coude d'admission
51A	Garniture de Coude d'admission	306	Garniture de Coude d'admission
53	Stud (Carburateur)	306A	Stud (Carburateur)
54	Vis (Intake Manifold)	307	Vis (Intake Manifold)
73	Ecran	307A	Ecran
74	Vis (Ecran)	309	Vis (Ecran)
95	Vis à Sems de Montage de Soupape	310	Vis à Sems de Montage de Soupape
98	Jeu de Vitesses à Vide	311	Jeu de Vitesses à Vide
104	Axe de Charnière de Flotteur	332	Axe de Charnière de Flotteur
105	Soupape à Aiguille	334	Soupape à Aiguille
108	Soupape à Starter	337	Soupape à Starter
117	Giclette (Standard) (C.G. et C.D. Giclette)	358	Giclette (Standard) (C.G. et C.D. Giclette)
118	Giclette (Haute altitude) (C.G. et C.D. Giclette)	377	Giclette (Haute altitude) (C.G. et C.D. Giclette)
121	Jeu de Carburateur	385	Jeu de Carburateur
125	Carburateur	387	Carburateur
130	Soupape de Commande des Gaz	404	Soupape de Commande des Gaz
131	Jeu-Axe de commande de puissance	415	Jeu-Axe de commande de puissance
133	Ensemble de Carburateur	699724	Ensemble de Carburateur
135	Tube d'essence	699729	Tube d'essence
137	Garniture du Flotteur	690994	Garniture du Flotteur
141	Jeu-Obstruez l'axe	796228	Jeu-Obstruez l'axe
142	Bec-Carburateur	796871	Bec-Carburateur
150	Cle de la Distribution	841649	Cle de la Distribution
163	Garniture-Bec	691001	Garniture-Bec
186	Garniture de Filtre à Aire	795985	Garniture de Filtre à Aire
186A	Tuyau-Connecteur (Coude de prise)	799158	Tuyau-Connecteur (Coude de prise)
186B	Tuyau-Connecteur (EVAF)	845141	Tuyau-Connecteur (EVAF)
187	Tuyau, Essence	791766	Tuyau, Essence
188	Vis, Support de Control	691108	Vis, Support de Control
192	Balancier de Réglage	690083	Balancier de Réglage
209	Ressort, Régulateur (Orange)	798921	Ressort, Régulateur (Orange)
211	Ralentir Ressort-Régi (Aucune Couleur)	691019	Ralentir Ressort-Régi (Aucune Couleur)
212	Lien-Commande de puissance	695238	Lien-Commande de puissance
216	Lien-Obstruez	796229	Lien-Obstruez
217	Ressort-Obstruez le retour	799771	Ressort-Obstruez le retour
219	Vitesses, Régulateur	793338	Vitesses, Régulateur
220	Rondelle de Vitesses de Régulateur	799772	Rondelle de Vitesses de Régulateur
221	Tasse-Gouverneur	841026	Tasse-Gouverneur
222	Support du Carburateur	592555	Support du Carburateur
227	Ensemble du Levier de Régulateur	798856	Ensemble du Levier de Régulateur
231	Vis (Valve de Bobine)	690718	Vis (Valve de Bobine)
240	Filtre-Carburant	695666	Filtre-Carburant
250	Arrêt-Reniflard	690957	Arrêt-Reniflard
252	Collecteur-Huile	794389	Collecteur-Huile
265	Clamp-Casting	691024	Clamp-Casting
267	Vis (Bride d'enveloppe)	792629	Vis (Bride d'enveloppe)
276	Rondelle-Cachetage (aluminium)	695410	Rondelle-Cachetage (aluminium)
276A	Rondelle-Cachetage (tibre)	690997	Rondelle-Cachetage (tibre)
276B	Rondelle-Cachetage	794271	Rondelle-Cachetage
287	Vis de Tube de Jauge d'huile	697820	Vis de Tube de Jauge d'huile
304	Boîtier de Soupffier	591668	Boîtier de Soupffier
305	Vis, Boîtier de Soupffier (1/4 20 x.66)	691005	Vis, Boîtier de Soupffier (1/4 20 x.66)
305A	Vis (ventilateur logeant au coude de prise)	790690	Vis (ventilateur logeant au coude de prise)
305B	Vis, Boîtier de Soupffier	691061	Vis, Boîtier de Soupffier
306	Protecteur de Cylindre (Cyl. 2)	591666	Protecteur de Cylindre (Cyl. 2)
306A	Protecteur de Cylindre (Cyl. 1)	796852	Protecteur de Cylindre (Cyl. 1)
307	Vis, Protecteur de Cylindre	691003	Vis, Protecteur de Cylindre
307A	Vis, Protecteur de Cylindre (1/4 20 x.66)	691108	Vis, Protecteur de Cylindre (1/4 20 x.66)
309	Démarrateur de Rebobinage	497595	Démarrateur de Rebobinage
310	Vis (Démarrateur de Rebobinage)	690323	Vis (Démarrateur de Rebobinage)
311	Série de brosse	497608	Série de brosse
332	Ecrou de Volant	691059	Ecrou de Volant
333	Armature de Magneto	592846	Armature de Magneto
334	Vis (Armature de Magneto)	691061	Vis (Armature de Magneto)
337	Bougie d'allumage	792015	Bougie d'allumage
358	Jeu de la Garniture de Moteur	694012	Jeu de la Garniture de Moteur
367	Vis (attache)	697820	Vis (attache)
377	Cle	690979	Cle
385	Vis (Pompe à Essence)	797409	Vis (Pompe à Essence)
387	Pompe à Essence	808656	Pompe à Essence
404	Rondelle de Levier de Régulateur	690442	Rondelle de Levier de Régulateur
405	Vis	697820	Vis
415	Prise (couverture/arrêt)	794903	Prise (couverture/arrêt)

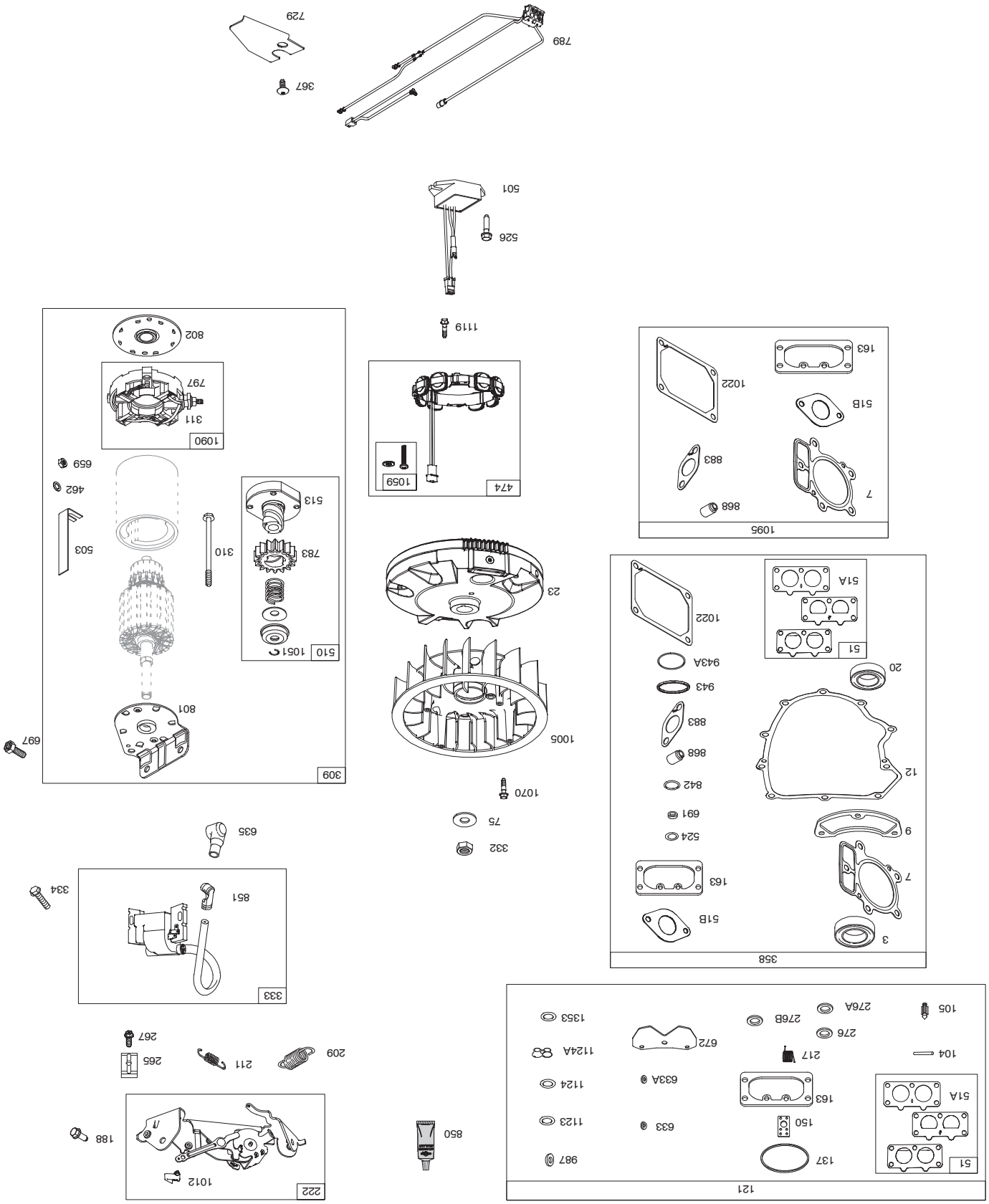
TRACTEUR - - NUMÉRO DE MODÈLE 944.604410
MOTEUR "BRIGGS & STRATTON" - NO. DE MODÈLE 44S877, NO. DE TYPE 0032-G1



TRACTEUR - - NUMÉRO DE MODÈLE 944.604410
MOTEUR "BRIGGS & STRATTON" - NO. DE MODÈLE 44S877, NO. DE TYPE 0032-G1

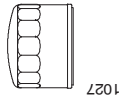
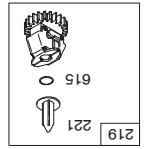
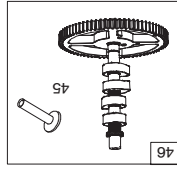
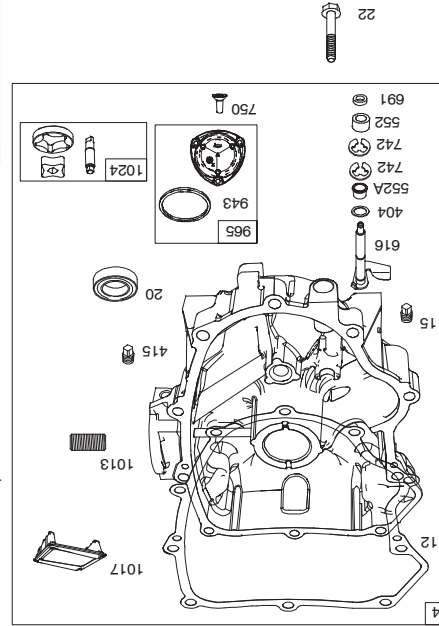
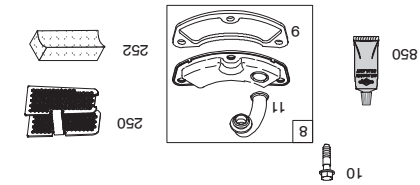
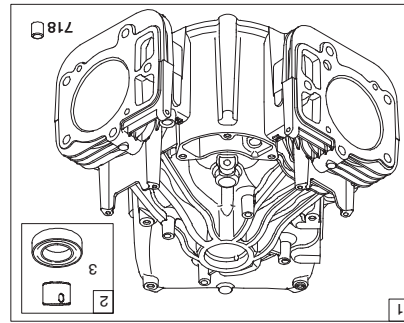
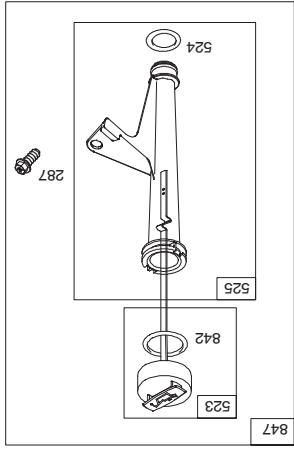
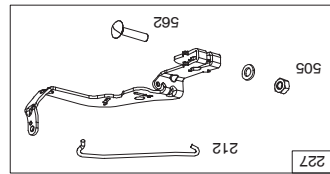


TRACTEUR - - NUMÉRO DE MODÈLE 944.604410
MOTEUR "BRIGGS & STRATTON" - NO. DE MODÈLE 44S877, NO. DE TYPE 0032-G1



TRACTEUR - - NUMÉRO DE MODÈLE 944.604410
MOTEUR "BRIGGS & STRATTON" - NO. DE MODÈLE 44S877, NO. DE TYPE 0032-G1

48 1036 1058 1329 1330



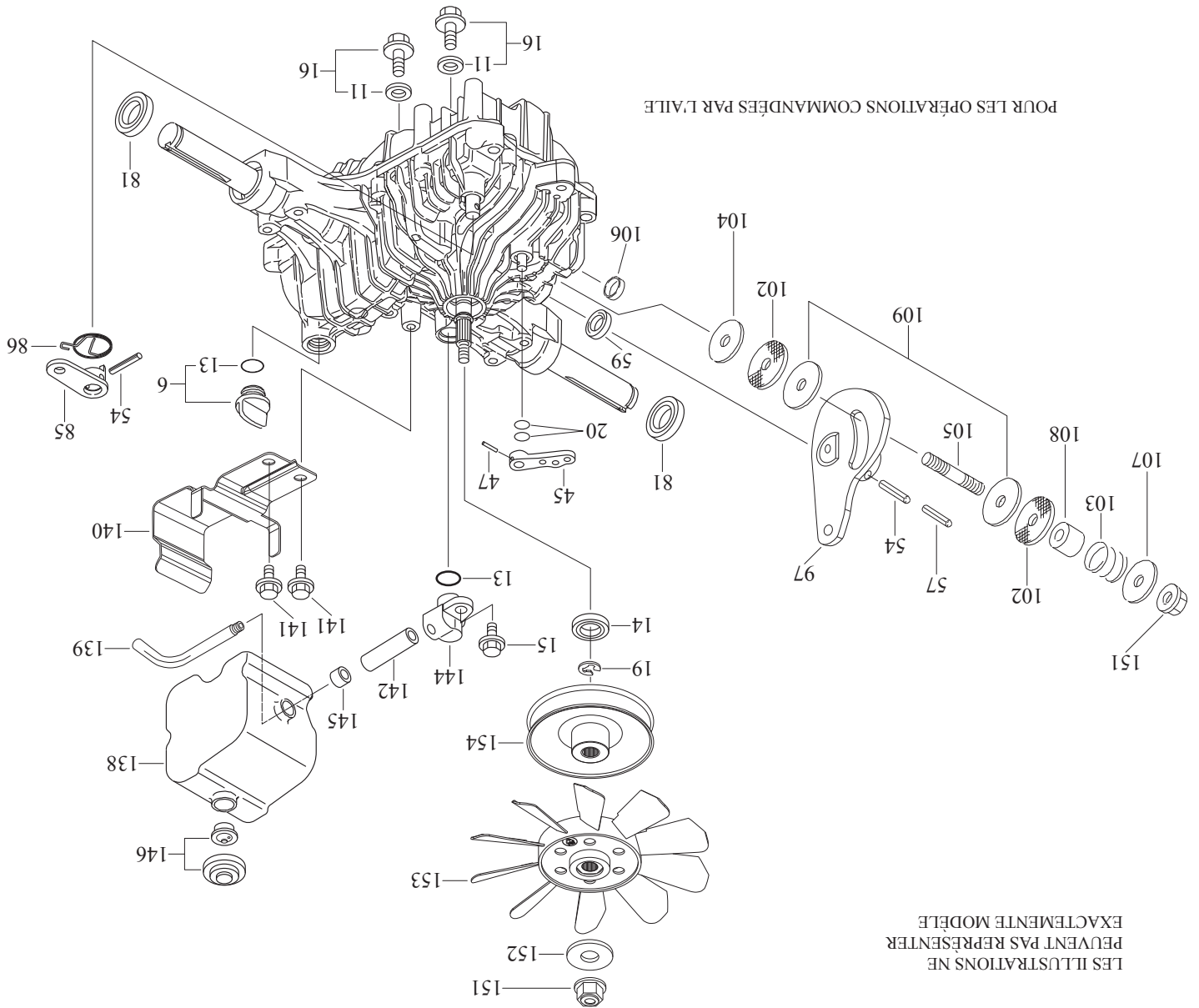
TRACTEUR - - NUMÉRO DE MODÈLE 944.604410
TRANSMISSION "TUFFTORQ" - NO. DE MODÈLE K66AD

NO.	DE	REF.	PIECE	DESCRIPTION
6		414182		BONNET DE PÉTRÔLE
11		414183		JOINT D'ÉTANCHÉITÉ RONDELLE 10
13		414184		JOINT TORIQUE P18
14		414185		JOINT D'ÉTANCHÉITÉ TC 153507
15		414186		BOULON 8 * 20
16		414187		BOULON 10 * 12
19		414189		BAGUE EN E 15
20		414190		JOINT TORIQUE 1A P10A
45		414191		LEVIER DE DÉRIVATION
47		414192		GOUPILLE 3,0A * 20
54		414197		GOUPILLE MÉCANIDUS 6 * 40
57		414420		GOUPILLE MÉCANIDUS 3,5 * 40
59		414198		JOINT D'ÉTANCHÉITÉ TC 16260
81		414202		JOINT D'ÉTANCHÉITÉ S25,4 * 42 * 8
85		414203		FREIN LEVIER
86		414204		RESSORT DU FREIN
97		417442		LEVIER CONTRÔLE
102		417444		RONDELLE 10 * 35 * 4
103		414424		RESSORT
104		417446		RONDELLE 10 * 25 * 4
105		414425		GOJON 10 * 60
106		414426		CHAPÉAU D'ÉTANCHÉITÉ 18
107		414427		RONDELLE 10 * 36 * 2,8
108		414428		BAGUE 10 * 20 * 17
109		417476		JEU DE PLAQUE DE FRICTION
138		414208		RÉSÉROIR
139		414209		TUYAU 8
140		414210		RÉSÉROIR PARENTHÈSE
141		414211		VIS TARAUDÉE 8 * 20
142		414212		RÉSÉROIR ENTRETOISE
144		414213		ESSAYAGE
145		414214		JOINT D'ÉTANCHÉITÉ
146		414215		SOUFLE VENTILATION 15
151		414216		ÉCROU FREIN 10
152		414217		RONDELLE 11 * 32 * 3,2
153		414218		ÉBRÈCHE VENTILATEUR
154		414414		POULIE

REMARQUE: Toutes les dimensions de composant sont données en pouces E.-U. --1 pouce = 25,4 mm

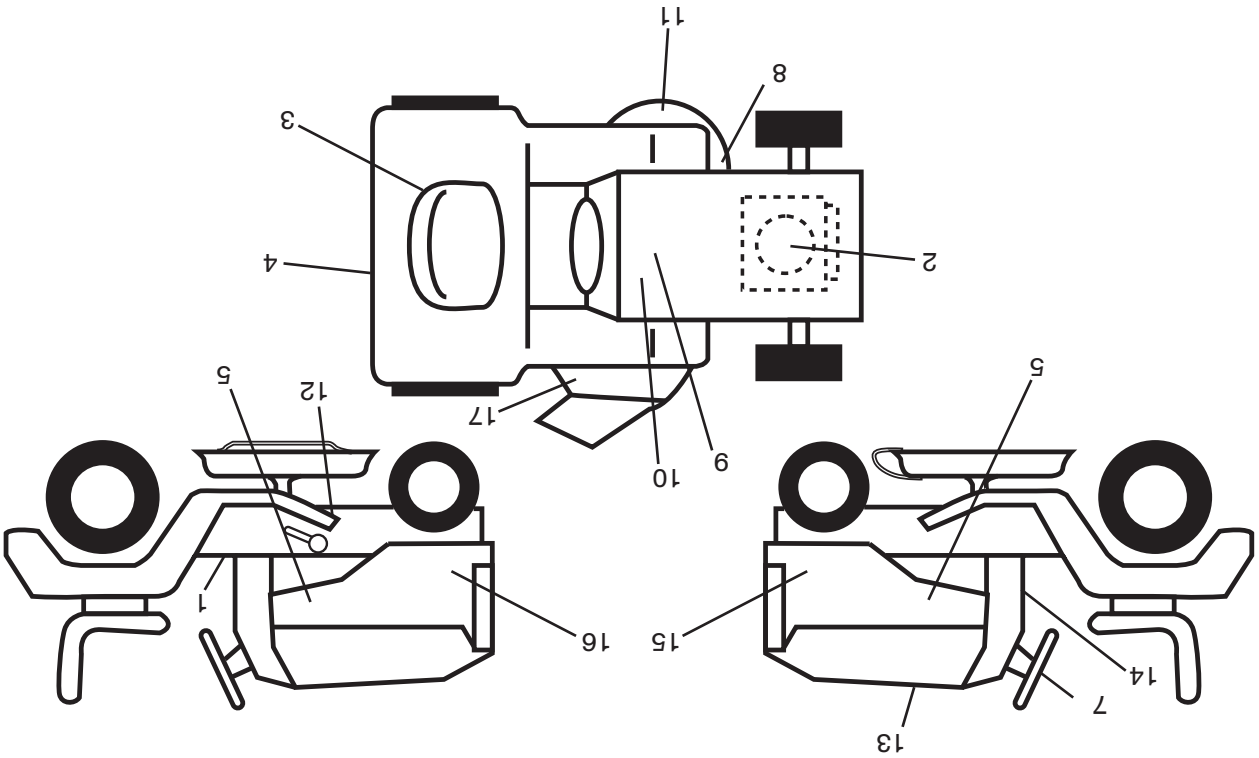
TRACTEUR - - NUMÉRO DE MODÈLE 944.604410
TRANSMISSION "TUFFTORQ" - NO. DE MODÈLE K66AD

LES ILLUSTRATIONS NE
 PEUVENT PAS REPRÉSENTER
 EXACTEMENT LE MODÈLE



TRACTEUR -- NUMÉRO DE MODÈLE 944.604410

DÉCALCOMANIES



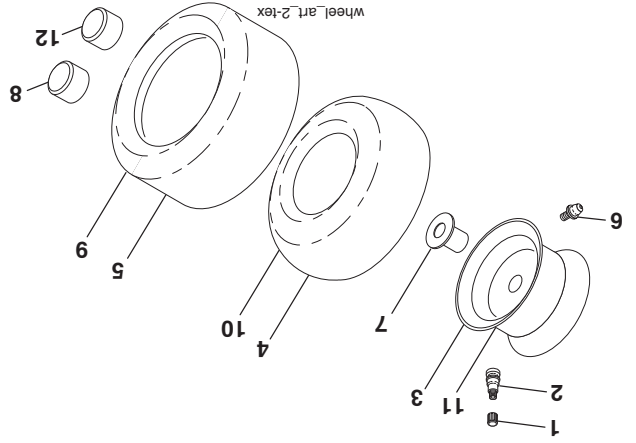
DESCRIPTION

NO.	DÉ	REF.	DESCRIPTION
13	586643101	--	Décalcomanie remplacement
14	581579901	--	Décalcomanie avertissement
15	586208201	--	Décalcomanie (C.D)
16	586208202	--	Décalcomanie (C.G.)
17	584904601	--	Décalcomanie avertissement
	581724801	--	Décalcomanie dérivation
	193100X428	--	Coussin d' repose-pied C.G.
	193101X428	--	Coussin d' repose-pied C.D.
	586654124	--	Manuel de l'opérateur
	587756324	--	Manuel des Pièces de Remplacement
		--	(Anglais/Français)

DESCRIPTION

NO.	DÉ	REF.	DESCRIPTION
1	581579001	--	Décalcomanie avertissement
2	585915201	--	Décalcomanie du moteur
3	581724201	--	Décalcomanie avertissement
4	441122	--	Décalcomanie de l'aile
5	585767601	--	Décalcomanie du capot
7	581894601	--	Décalcomanie de direction
8	581580002	--	Décalcomanie Courroie
9	149517	--	Décalcomanie avertissement de batterie
10	448709	--	Décalcomanie de batterie
11	581724501	--	Décalcomanie avertissement de tondeuse
12	421534	--	Décalcomanie de courroie

ROUES & PNEUS

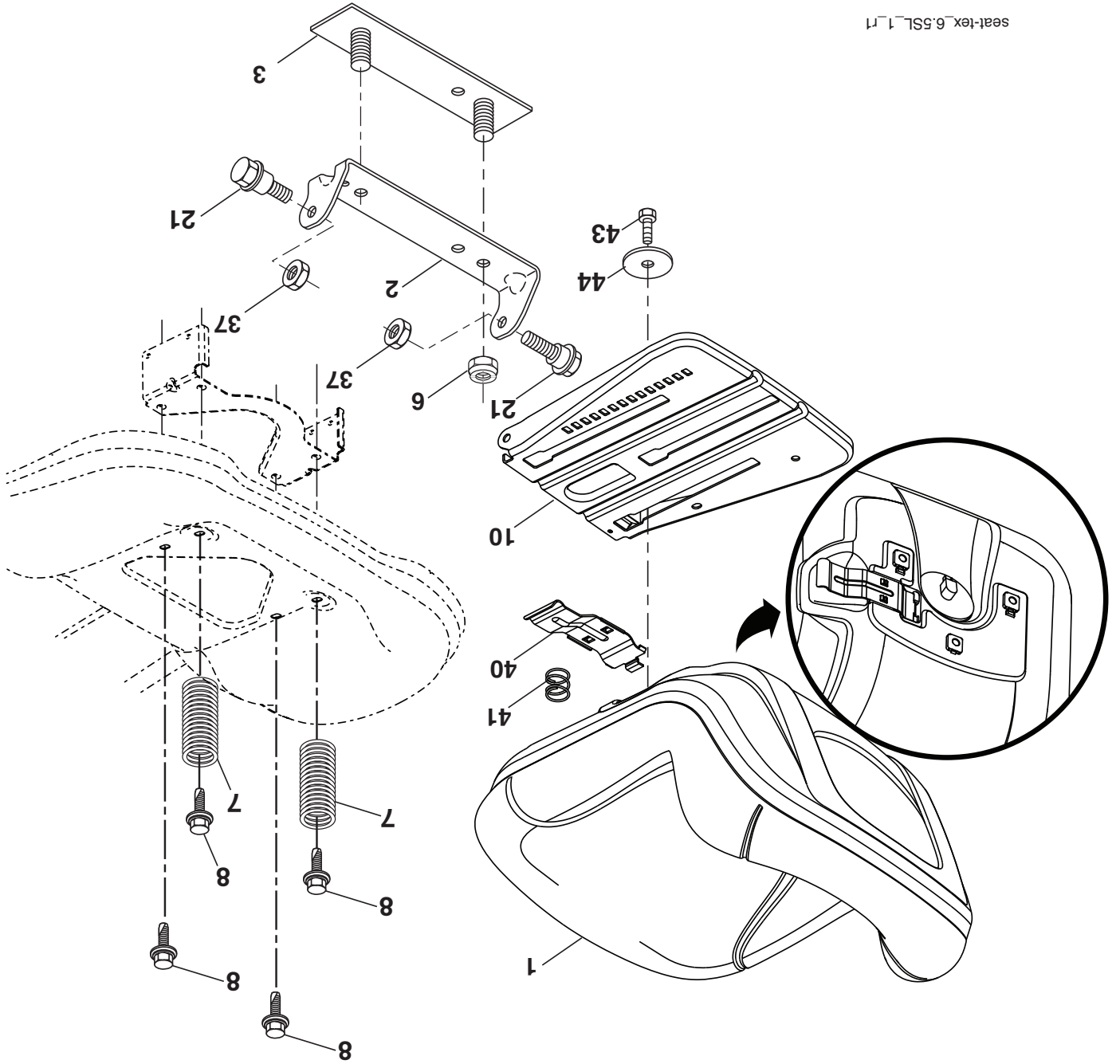


DESCRIPTION

NO.	DÉ	REF.	DESCRIPTION
1	59192	1	Capuchon de la valve du pneu
2	65139	2	Tubulure de la valve
3	148736X613	3	Ensemble de la jante antérieure
4	8134H	4	Chambre à air antérieure
5	106230X	5	Pneu antérieur 16 x 6.5-8
6	278H	6	Graisneur (roue antérieure seulement)
7	9040H	7	Paliers à bride (roue antérieure seulement)
8	104757X428	8	Chapeau de l'essieu avant
9	105588X	9	Pneu arrière 23 x 10.5-12
10	7154J	10	Chambre à air arrière
11	106277X613	11	Ensemble de la jante arrière
12	501503101	12	Capot d'essieu arrière noir
--	144334	--	Joint d'étanchéité de pneu (tube de .30L [10 oz. Tube])

REMARQUE: Toutes les dimensions de composant sont données en pouce d'E.-U. - - 1 pouce = 25,4 mm.

TRACTEUR - - NUMÉRO DE MODÈLE 944.604410
ENSEMBLE DU SIÈGE



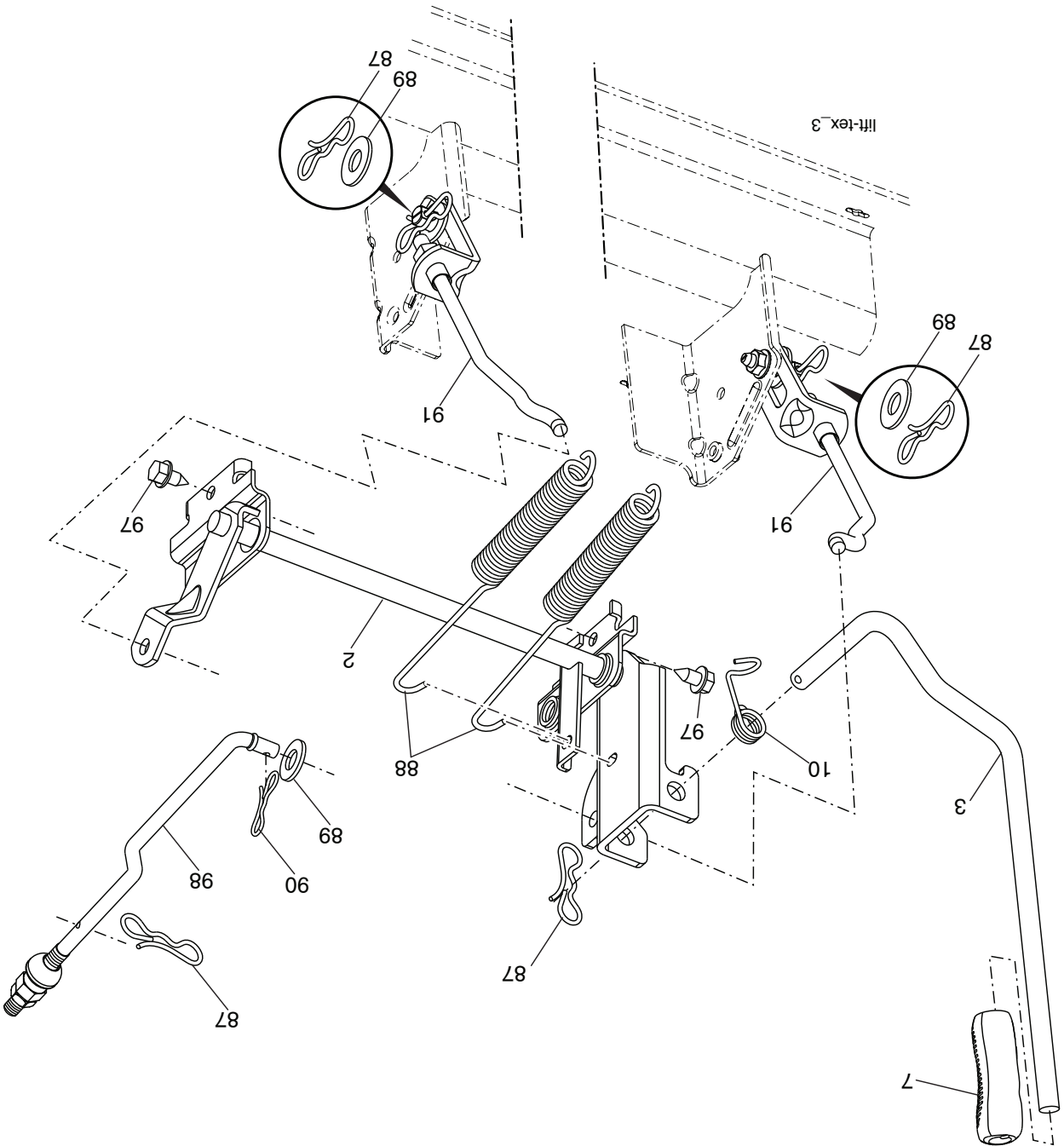
NO.	DE	PIÈCE	DESCRIPTION
1	586507701	Siège	
2	180166	Support de pivot	
3	140675	Attache de l'ensemble de l'aile	
6	73800600	Ecroû frein H avec insert 3/8-16 unc	
7	124181X	Ressort de compression du siège	
8	171877	Boulon 5/16-18 unc x 3/4	
10	196977	Cuvette du siège	
21	171852	Boulon à épaulement 5/16-18	
37	73800500	Ecroû frein 5/16-18 unc	
40	197661	Guidon	
41	198200	Ressort de compression	
43	74760612	Boulon 3/8-16 x 3/4	
44	19133812	Rondelle 13/32 x 2-3/8 x 12 Ja.	

NO.	DE	PIÈCE	DESCRIPTION
40	197661	Guidon	
41	198200	Ressort de compression	
43	74760612	Boulon 3/8-16 x 3/4	
44	19133812	Rondelle 13/32 x 2-3/8 x 12 Ja.	

REMARQUE: Toutes les dimensions de composant sont données en pouce d'E.-U. - - 1 pouce = 25,4 mm.

TRACTEUR -- NUMÉRO DE MODÈLE 944.604410

LEVAGE DE LA TONDEUSE



NO. DE PIÈCE	DESCRIPTION	NO. DE PIÈCE	DESCRIPTION
2	Ensemble de l'arbre	91	Raccord de levage
3	419497	97	Vis 3/8-16 x 3/4
7	445060X428	98	Raccord de levage
10	196314		
87	194209		
88	195304		
89	19191912		
90	194208		
2	422027	91	403407
3	419497	97	1700612
7	445060X428	98	195264
10	196314		
87	194209		
88	195304		
89	19191912		
90	194208		

REMARQUE: Toutes les dimensions de composant sont données en pouce d'E.-U. - - 1 pouce = 25,4 mm.

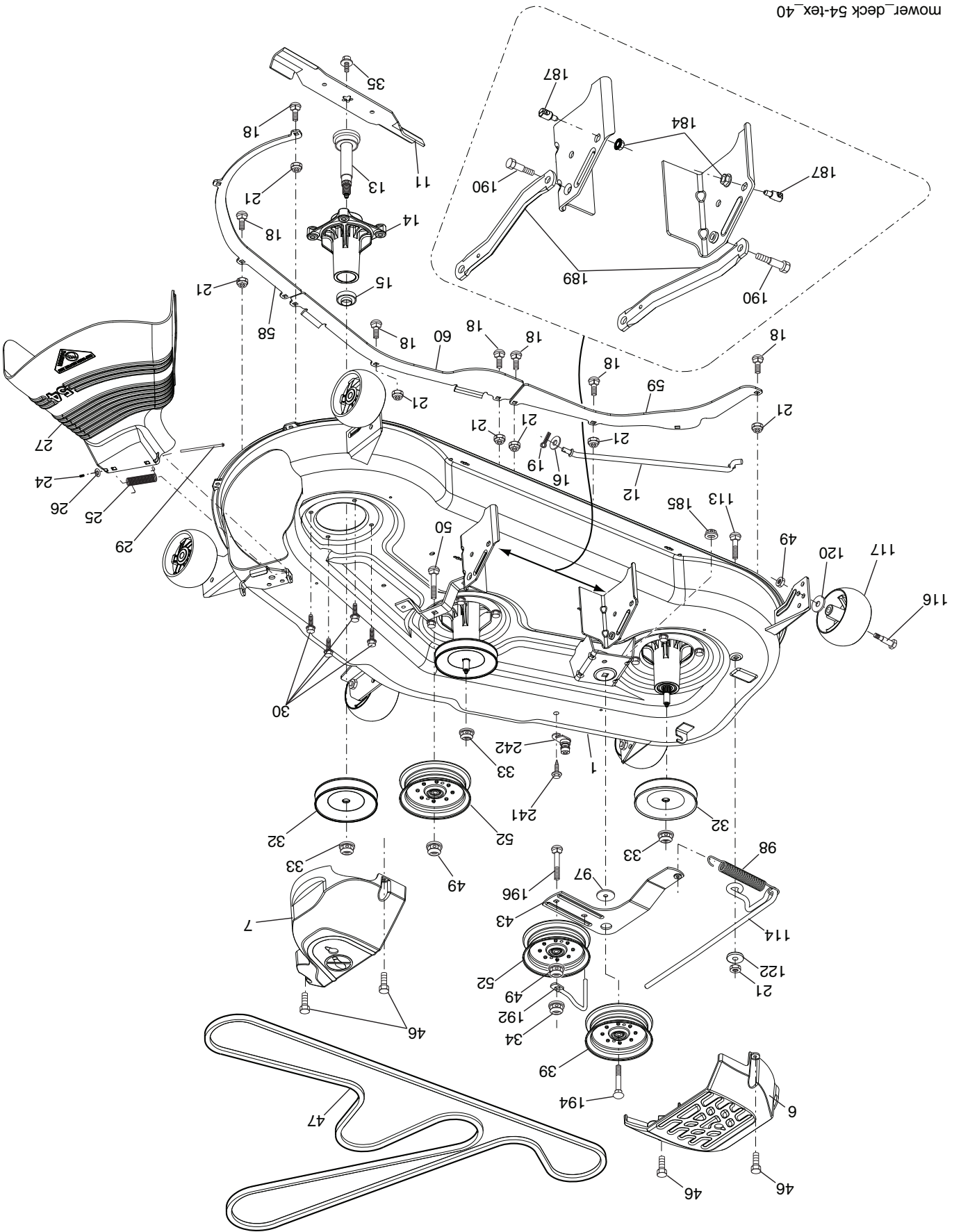
TRACTEUR - - NUMÉRO DE MODÈLE 944.604410

CARTER DE TONDEUSE

NO.	DE	RÉF.	DESCRIPTION
1	DE	195632X613	Carter De Tondeuse
6	DE	196066	Mandrin de logement C.G.
7	DE	197181	Mandrin de logement C.D.
11	DE	187256	Lame
12	DE	400337	Tige
13	DE	587256401	Roulement à billes
14	DE	187281	Mandrin de logement
15	DE	585323901	Roulement à billes, mandrin
16	DE	19131312	Rondelle 13/32 x 13/16 x 12 Ja.
18	DE	72140505	Boulon 5/16-18 unc x 5/8
19	DE	194208	Epingle
21	DE	73680500	Écrou 5/16-18 unc
24	DE	105304X	Chapeau
25	DE	178102	Ressort de torsion
26	DE	110452X	Écrou
27	DE	187257X428	Déflecteur de bouclier
29	DE	131491	Tige
30	DE	173984	Vis
32	DE	153535	Pouille de mandrin
33	DE	400234	Écrou
34	DE	73680600	Écrou 3/8-16 unc
35	DE	584309301	Vis
39	DE	197380	Pouille de renvoi
43	DE	196065	Le bras du tendeur
46	DE	137729	Vis 1/4-20 x 5/8
47	DE	587686701	Courroie
49	DE	73900600	Écrou 3/8-16 unc
50	DE	72110616	Vis 3/8-16 x 2-1/4
52	DE	197379	Pouille de renvoi
58	DE	187342	Chicane (C.D.)
59	DE	187344	Chicane (C.G.)
60	DE	187607	Chicane
97	DE	178515	Rondelle
98	DE	196105	Ressort
113	DE	72110508	Boulon 5/16-18 x 3/4
114	DE	187556	Tige
116	DE	193406	Boulon
117	DE	174873	Roue de jauge
120	DE	19132012	Rondelle 13/32 x 1-1/4 x 12 Ja.
122	DE	187557	Coussinet
184	DE	73900500	Écrou 5/16-18
185	DE	73900700	Écrou 7/16-14 Cat. 5
187	DE	195161	Fixation à goujon
189	DE	195185	Suspension arrière
190	DE	196539	Boulon
192	DE	198468	Garde de pouille
194	DE	74490736	Boulon 7/16-24
196	DE	72140620	Boulon 3/8-16 x 2-1/2 Cat. 5
241	DE	152927	Vis
242	DE	415598	Raccord de lavage
--	DE	587125401	Ensemble du mandrin (Inclut no. de ref. 13-15 et 33)
--	DE	416405	Connecter d'accouplement du rapide
--	DE	403349	Remplacer Tondeuse

REMARQUE: Toutes les dimensions de composant sont données en pouce d'E.U. - - 1 pouce = 25,4 mm.

TRACTEUR - - NUMÉRO DE MODÈLE 944.604410
CARTER DE TONDEUSE



TRACTEUR - - NUMÉRO DE MODÈLE 944.604410

ENSEMBLE DE LA DIRECTION

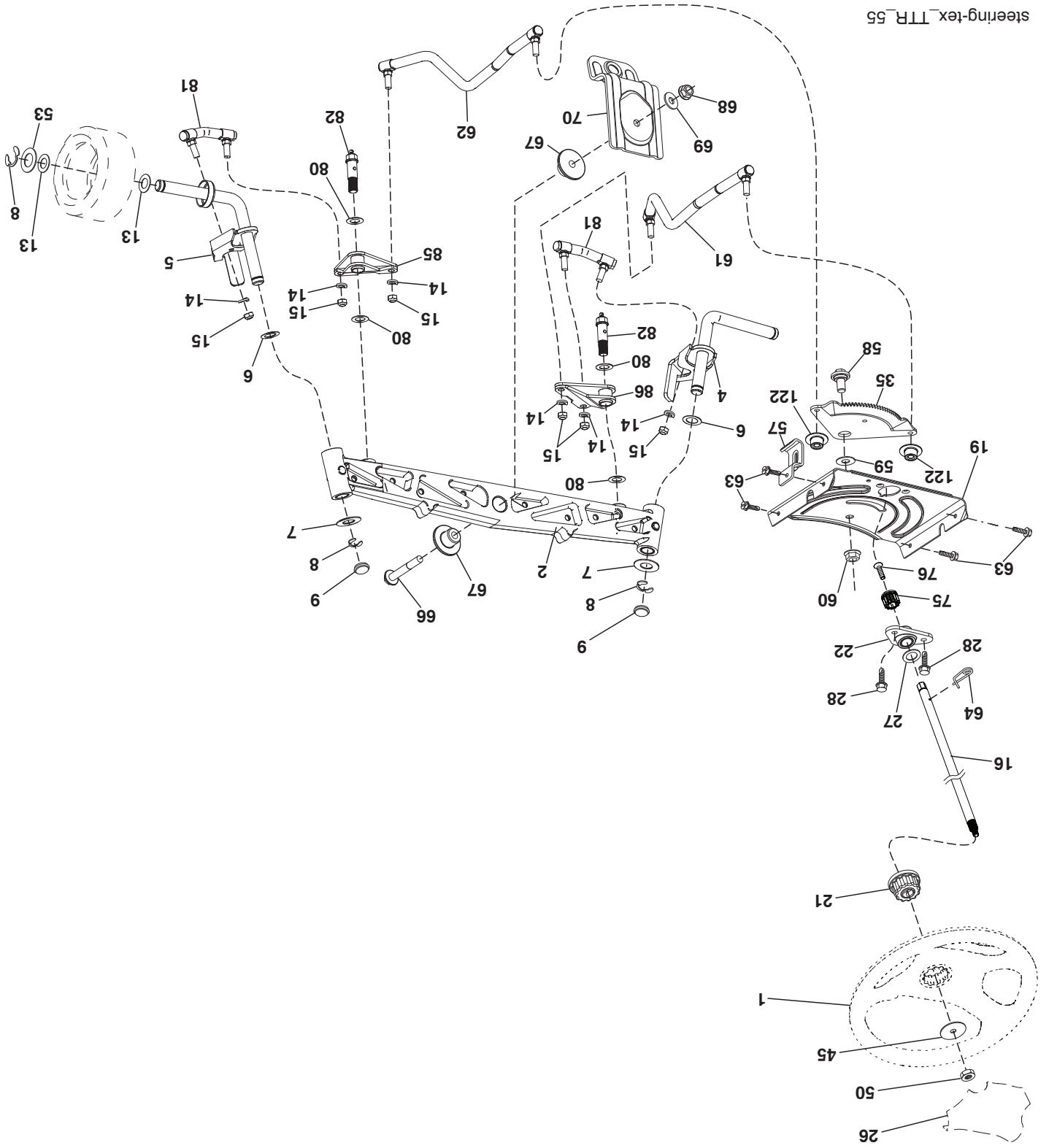
NO. DE RÉF. PIÈCE	DESCRIPTION
1	414851X428 Volant de direction
2	436870 Axe avant Asmnbly
4	436873 Ensemble de la broche C.G.
5	436874 Ensemble de la broche C.D.
6	6266H Rondelle clip n°T5304-75
7	121748X Rondelle 25/32 x 1-5/8 x 16 Ja.
8	1200029 Anneau d'agrafe #T5304-75
9	184946X667 Spindle Cape
13	121749X Rondelle
14	10040600 Rondelle 3/8
15	73540600 Erou 3/8-24 unf
16	587016002 Arbre de direction
19	194729 Arbre de plaque
21	586840201 Adaptateur de volant
22	585029901 Roulement
26	414852X428 Insertion de volant
27	19211616 Rondelle 21/32 x 1 x 16 Ja.
28	17000612 Vis 3/8-16 x 3/4
35	440770 Vitesses de plat de secteur
45	587016401 Rondelle 3/8 ID 2-3/8OD 12 Ja.
50	73900600 Erou 3/8-16 unc
53	188967 Rondelle : 793 x 1.637 x .060
57	197246 Support
58	194747 Boulon
59	194748 Rondelle
60	73971000 Erou 5/8-11
61	436884 Draglink, C.G.
62	436885 Draglink, C.D.
63	17000512 Vis 5/16-18 x 3/4
64	199849 Ressort
66	71020748 Boulon 7/16-14 x 3 Serr
67	194737 Douille
68	73900700 Erou 7/16-14 Cat. 5
69	199162 Rondelle 1.5 x .505 x .118
70	196197 Support
75	580683702 Pignon
76	580683601 Vis
80	1370H Rondelle
81	436887 Réticulation C.G.
82	442147 Pivot Boulon
85	441873 Pivot C.G.
86	441872 Pivot C.D.
122	444962 Chapeau

REMARQUE: Toutes les dimensions de composant sont données en pouce d'E.-U. - - 1 pouce = 25,4 mm.

TRACTEUR - - NUMÉRO DE MODÈLE 944.604410

ENSEMBLE DE LA DIRECTION

steering-tex_TTR_55

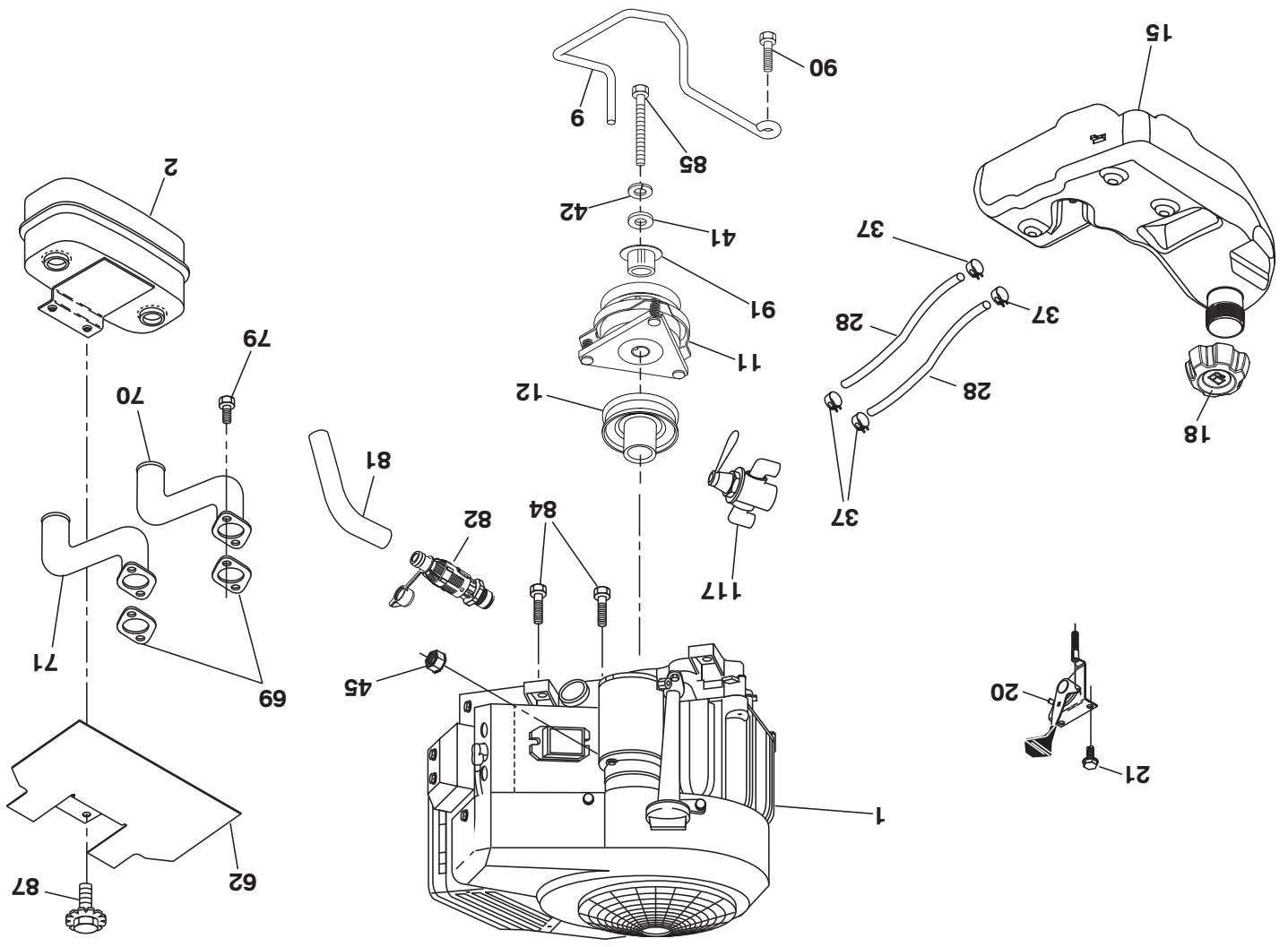


NO. DE PIÈCE	DESCRIPTION
1	Moteur B&S-No. de modele 44S877-0032-G1 (586640501) (Voyez Les Détails De Moteur.)
2	445962 Silencieux
9	584908001 Ensemble de la guide courroie du moteur
11	587241401 Embrayage électrique
12	194343 Pouille
15	422804 Réservoir d'essence 3.0
18	584248701 Chapeau
20	421473X428 Commande des gaz
21	416358 Vis
28	401135 Conduite d'essence
29	137180 Jeu de pare - étincelles
37	123487X Bride de serrage de tuyau
41	126197X Rondelle 1-1/2 OD x 15/32 ID x .250
42	10040700 Rondelle 7/16
45	73510400 Ecrou 1/4-20 unc
62	434017 Déflecteur de débris
69	165391 Garniture de silencieux
70	581881101 Tube C.G.
71	581881001 Tube C.D.
79	183906 Vis 5/16-18
81	148456 Tuyau
82	428287 Soupape
84	17060620 Vis 3/8-16 x 1
85	581636201 Boulon 7/16-20 x 3.0 x Ja. 5
87	198239 Boulon 5/16-18 unc x 1
90	17000616 Vis 3/8-16 x 1
91	187495 Bague
117	420828 Soupape d'essence

REMARQUE: Toutes les dimensions de composant sont données en pouce d'E.-U. - - 1 pouce = 25,4 mm.

Informations concernant la puissance théorique du moteur

La puissance brute pour chaque Modèle de moteur à essence est indiquée conformément au code J1940 (procédure de calcul de la puissance et du couple des petits moteurs) de la SAE (Society of Automotive Engineers) et les performances théoriques ont été obtenues et corrigées selon SAE J1995 (révision 2002-05). Les valeurs de couple sont calculées sur la base de 3060tr/min et celles de puissance sur la base de 3600tr/min. La puissance brute réelle du moteur peut être plus faible notamment à cause des conditions de fonctionnement et des variations d'un moteur à l'autre. Compte tenu de la grande variété de machines sur lesquelles nos moteurs sont utilisés et du nombre de problèmes environnementaux applicables au fonctionnement des équipements, il se peut que le moteur à essence ne développe pas sa puissance théorique une fois qu'il est monté sur une machine particulière (puissance nette ou réelle « site»). Cette différence s'explique par un grand nombre de facteurs, tels que (liste non limitative): accessoires (filtre à air, échappement, admission, refroidissement, carburateur, pompe à essence, etc.), limites d'utilisation, conditions ambiantes d'utilisation (température, humidité, altitude) et variations d'un moteur à l'autre. Pour des raisons de fabrication et de capacité limitées, Briggs & Stratton est susceptible de remplacer ce Modèle par un moteur plus puissant.



EQUIPMENT FACULTATIF
PARA-ETINCELLES

29

engine-tex_bs-2cyl_86

TRACTEUR - - NUMÉRO DE MODÈLE 944.604410

ENTRAÎNEMENT

NO.	DE	RÉF.	DESCRIPTION
2		7070E	Cie
3		7563R	Rondelle
7		199837	Moyeu roue arrière
9		140080	Boulon
15		19131316	Rondelle 13/32 x 13/16 x 16 Ja.
17		401072	Ressort
22		197329	Tige de mouvement
23		140845	Boulon
29		407245	Tige du frein
33		12000053	Bague en "E"
35		583864501	Tige du frein de stationnement
42		8883R	Couverture de la pédale
49		72110614	Boulon
50		194327	Pouille du galet-tendeur
51		73900600	Ecrou frein 3/8-16
52		194326	Galet-tendeur
56		125907X	Courroie trapézoïdale
64		196200	Ensemble de l'arbre
70		193340	Ensemble de Console
73		74490544	Boulon 5/16-18 x Cat. 5
74		142432	Vis 1/4 x 1/2 unc
80		583970701	Support
99		582404701	Tige de dérivation
116		73900500	Ecrou frein 5/16-18
125		17000512	Vis 5/16-18 x 3/4
143		17490508	Vis 5/16-18 x 1/2
153		4497H	Ressort de retenue
159		76020412	Goupille fendue 1/8 x 3/4
160		169484	Collier de retenue
161		105709X	Ressort de rappel d'embrayage

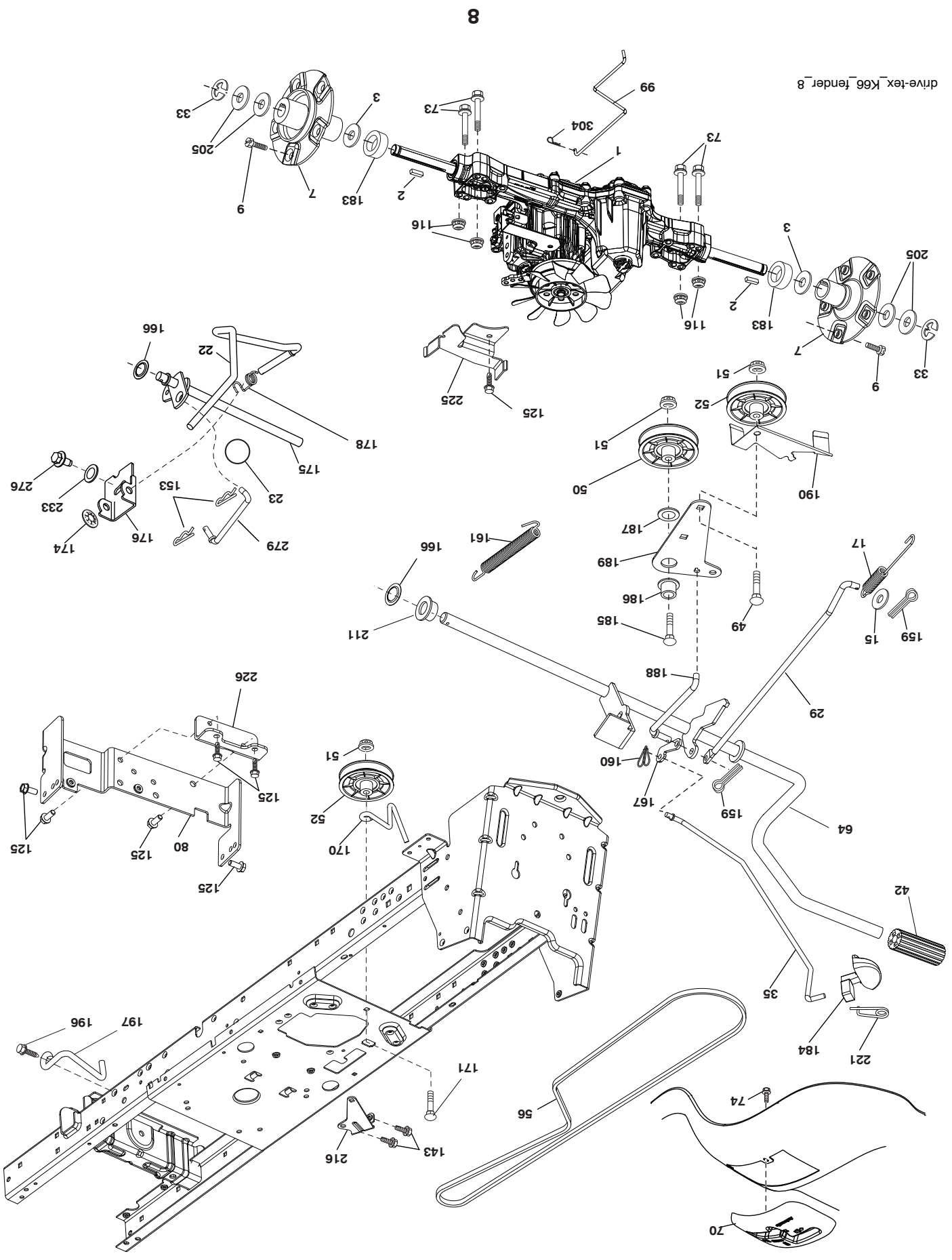
Transmission TUFFTORQ K66AD
(414145) (Commandez les pièces du fabricant du transmission.)

NO.	DE	RÉF.	DESCRIPTION
166		429164	Poussez l'écrou .625
167		405257	Loquet
170		194322	Guide-courroie
171		72110616	Boulon 3/8-16 unc
174		197289	Rondelle frein
175		408539	Ensemble de l'arbre
176		196214	Bras d'embrayage
178		197456	Ressort de changement
183		197357	Entretoise fendue
184		196439X428	Poignée de frein de stationnement
185		72110622	Boulon
186		194321	Ressort de retenue
187		191333210	Rondelle
188		582217001	Raccord d'embrayage longue
189		194317	Levier coudé
190		194318	Garde du courroie
196		17000616	Vis 3/8-16 x 1
197		585658601	Tige
205		123800	Rondelle 1-1/32 x 1-5/8 x 16 Ja.
216		196212	Support pouille du galet-tendeur
211		196131	Douille
221		403187	Ressort de retenue
225		407311	Garde du courroie
226		407109	Support
232		74780716	Boulon 7/16-14 x 1 Cat. 5
233		405296	Rondelle
279		413778	Tige
304		423303	Cheveux d'angle couple Zinc .059 x 1.125

REMARQUE: Toutes les dimensions de composant sont données en pouce d'E.-U. - - 1 pouce = 25,4 mm.

ENTRAÎNEMENT

TRACTEUR - - NUMÉRO DE MODÈLE 944.604410



drive-tex_k66_fender_8

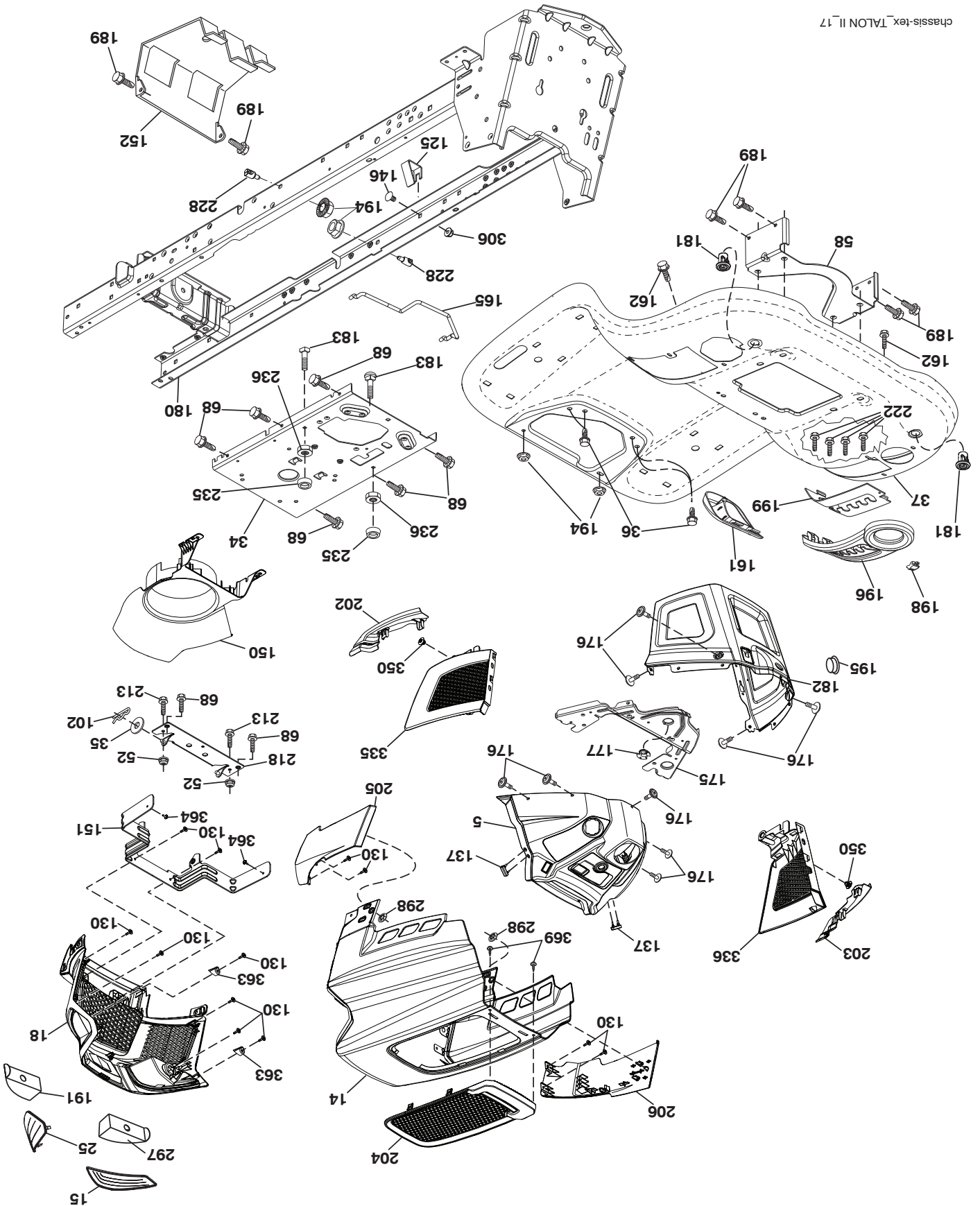
8

TRACTEUR - - NUMÉRO DE MODÈLE 944.604410

CHÂSSIS/ENCEINTES

NO.	DE	RÉF.	DESCRIPTION
5	580485806		Tableau de bord
14	580354407		Capot
15	580485601		Lentille CG
18	580485302		Calandre
25	580484501		Lentille CD
34	580910801		Plaque de moteur
35	19111116		Rondelle 11/32 x 11/16 x 16 Ja.
36	17060512		Vis 5/16-18 x 3/4
37	400009X428		Aile
52	73680500		Ecroû 5/16-18
58	194314		Support de l'aile
68	17490508		Vis 5/16-18 x 1/2
102	4497H		Arrêtoir 1"
125	581684801		Pince
130	416358		Vis #10 x .750
137	407590		Pare-Chocs
146	581857901		Bouillon
150	585238002		Conduit D'air
151	580663302		Support
152	199535		Deflecteur
159	17000612		Vis 3/8-16 x 3/4
161	193097X428		Fenêtre de carburant
162	142432		Vis 1/4 x 1/2
165	196826		Support
175	196304		Pièce d'entretoisement
176	400776		Vis 10-24 x 5/8
177	195228		Coussinet
180	195477		Chassis
181	193102X428		Coussinet
182	586738602		Tableau de bord
183	74520520		Bouillon 5/16-18 x 1-1/4
189	17000512		Vis 5/16-18 x 3/4
191	580485101		Phare/Insert Lentille Réfléchissant CD
194	73900500		Ecroû 5/16-18
195	401556X428		Bouchon
196	419828X428		Ensemble de la console
198	197300X667		Indicateur
199	419350		Plaque
202	580485002		Basse bouclier de garniture CD
203	580484802		Basse bouclier de garniture CG
204	580484701		Ventilation
205	580843707		Ensemble d'angle CD
206	580843807		Ensemble d'angle CG
213	74760512		Bouillon 5/16-18 unc x 3/4
218	580897301		Ensemble de capuche pivot
222	137729		Vis
228	195161		Fermeture
235	406129		Entretoise
236	73930500		Ecroû 5/16-18
297	580484901		Phare/Insert Lentille Réfléchissant CG
306	73900600		Ecroû
335	580484602		Panneau de clôture de côté CD
336	580484402		Panneau de clôture de côté CG
350	445143		Pince
363	580724501		Chapeau
364	17060408		Vis
369	421756		Vis #10 x 0.500

REMARQUE: Toutes les dimensions de composant sont données en pouce d'E.-U. - - 1 pouce = 25,4 mm.



TRACTEUR - - NUMÉRO DE MODÈLE 944.604410 CHÂSSIS/ENCEINTES

TRACTEUR - - NUMÉRO DE MODÈLE 944.604410

ELECTRIQUE

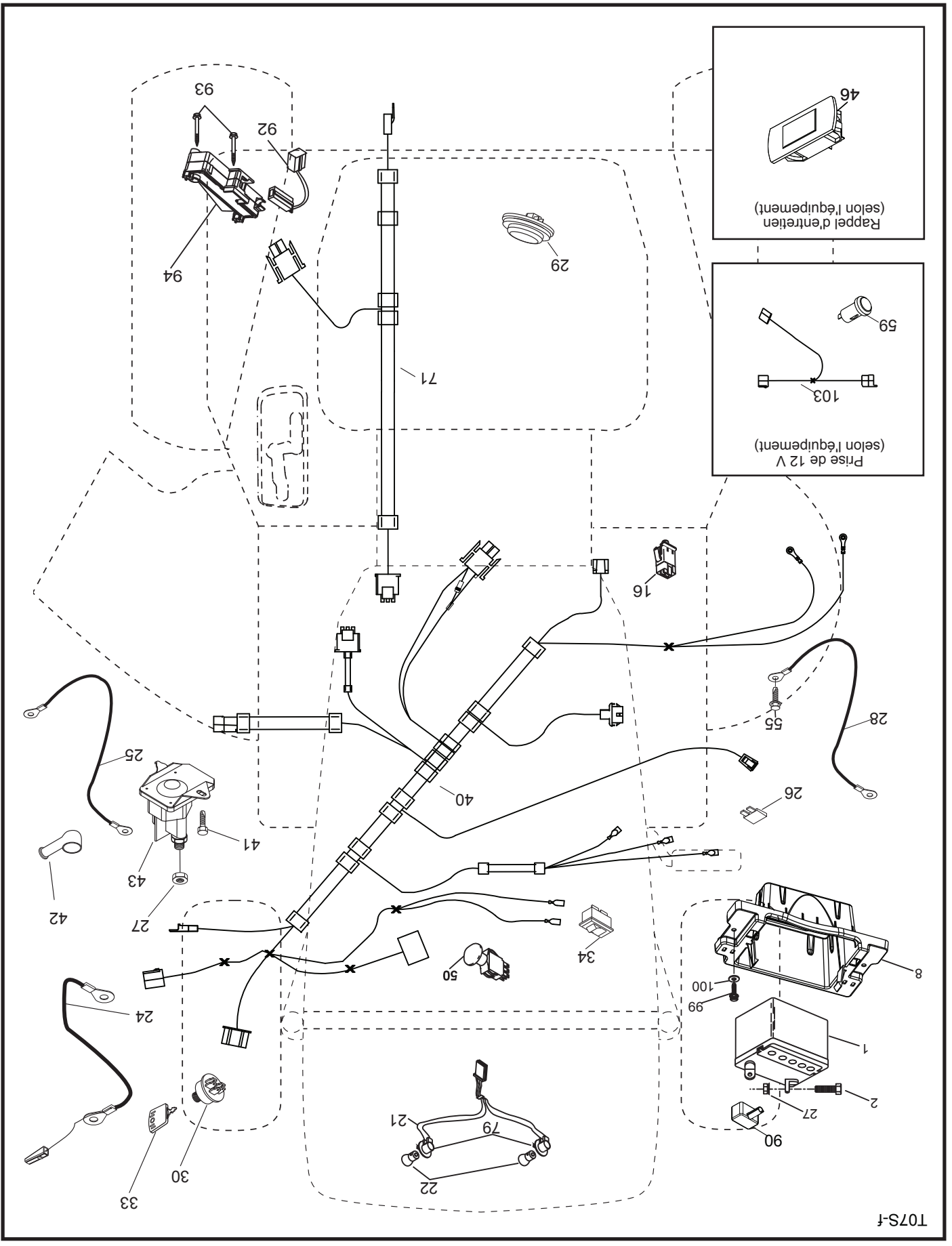
NO. DE RÉF. PIÈCE	DESCRIPTION
1	Batterie
2	Boulon 1/4-20 unc x 3/4
8	Bac de batterie
16	Interrupteur de verrouillage pressé
21	Harnais des prises de courant des phares
22	Ampoule N°1156
24	Câble de batterie
25	Câble du démarreur
26	Fusible
27	Écrou 1/4-20 unc
28	Câble de masse de 6 ja. de 21" - noir
29	Interrupteur
30	Contacteur d'allumage
33	Clé/Chaîne
34	L'Interrupteur des phares
40	Harnais tableau du bord/d'élévation
41	Vis 1/4-20 x 1/2
42	Couverture de borne
43	Solénoïde
46	Compteur horaire rond
50	Interrupteur, PTO
55	Vis 5/16-18 x 3/4
71	Harnais des câbles d'allumage
79	Douille ensemble ampoule torsion serrure
90	Couverture
92	Harnais
93	Vis
94	Module
99	Vis 1/4-20 x 3/4
100	Rondelle 9/32 x 7/8 x 16 Ja.

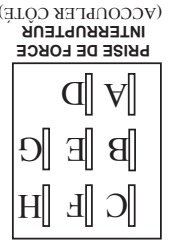
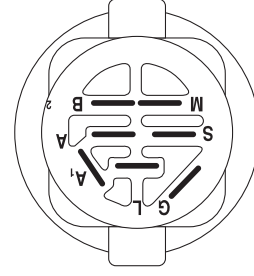
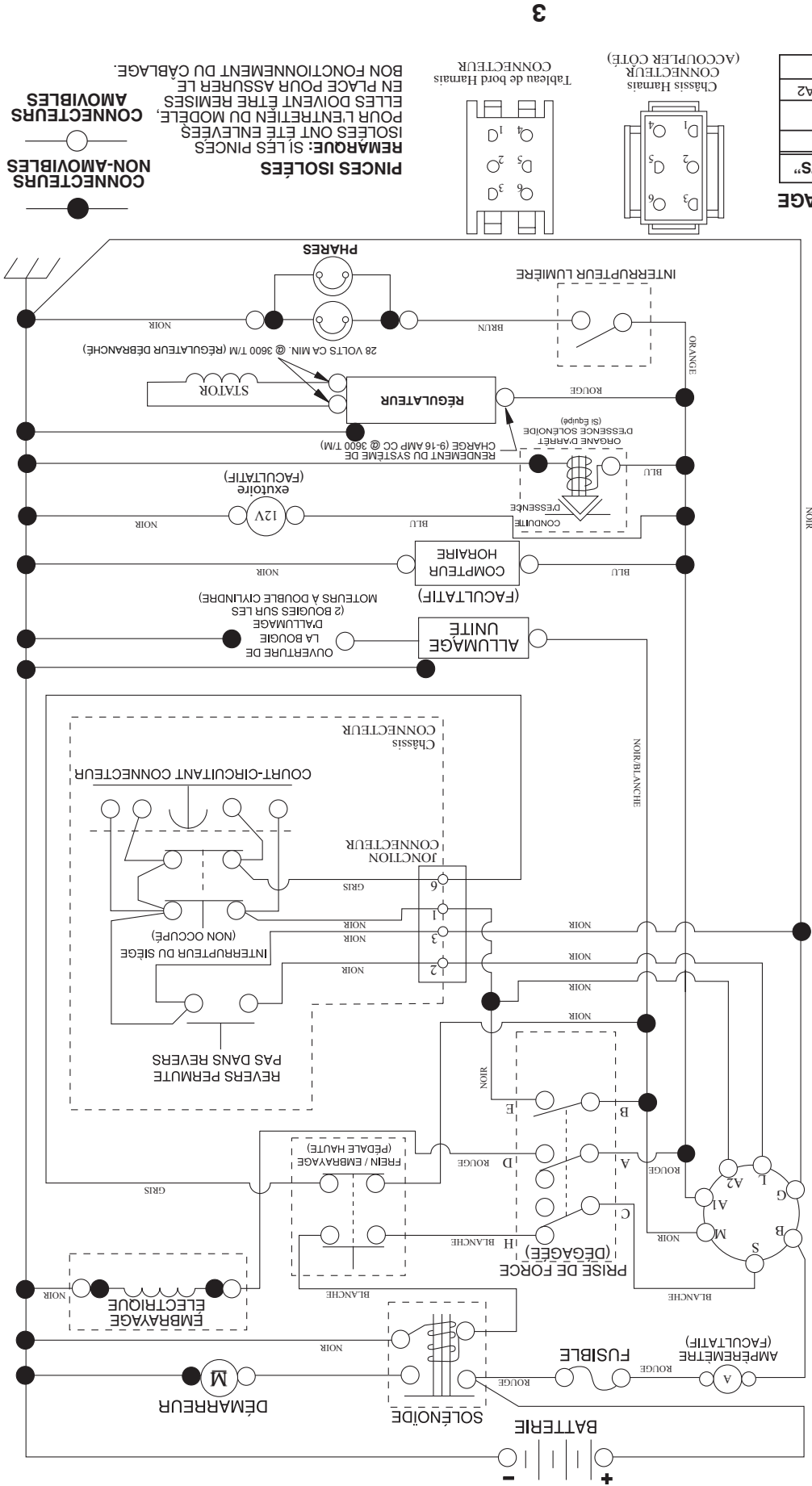
REMARQUE: Toutes les dimensions de composant sont données en pouce d'E.-U. - - 1 pouce = 25,4 mm.

TRACTEUR -- NUMÉRO DE MODÈLE 944.604410

ELECTRIQUE

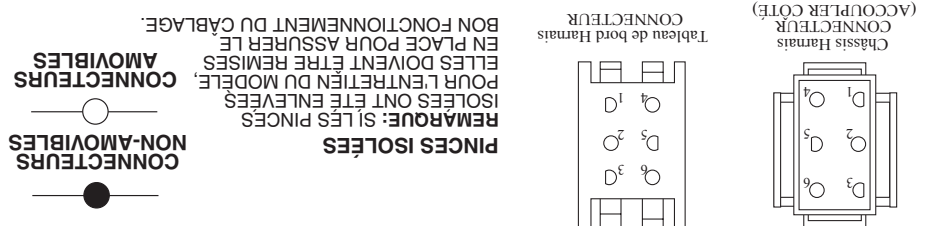
T07S-f





POSITION	CIRCUIT "FAITS"
ARRÊT	M + G + A1
MARCHE/ ALLUMAGE	B + A1
MARCHE	B + A1
L+ A2	B + A1
DÉMARRAGE	B + S + A1

CONTACTEUR D'ALLUMAGE



REMARQUE: SI LES PINCES ISOLÉES ONT ÉTÉ ENLEVÉES, ELLES DOIVENT ÊTRE REMISES EN PLACE POUR ASSURER LE BON FONCTIONNEMENT DU CABLAGE.

PINCES ISOLÉES

CONNECTEURS NON-AMOVIBLES

CONNECTEURS AMOVIBLES

COMMENT UTILISER CE MANUEL

Ce manuel a été dessiné pour fournir le client avec les moyens d'identification des pièces de détails du tracteur quand il/elle a besoin de commander les pièces de rechange. Les illustrations ne peuvent pas représenter exactement le modèle que vous avez acheté. N'utilisez pas ce manuel comme un guide dans le montage et/ou démontage de votre tracteur. La visserie montrée est plus grande pour faciliter l'identification.

Chaque tracteur a un numéro de modèle particulier.

Le numéro de modèle du produit se trouvera sur l'aile, dessous le siège.

Lorsque vous commandez des pièces de rechange, donnez toujours les renseignements suivants:

- Produit - "TRACTEUR"
- NUMÉRO DU MODÈLE - "944.604410"
- Numéro de la Pièce
- Description de la Pièce

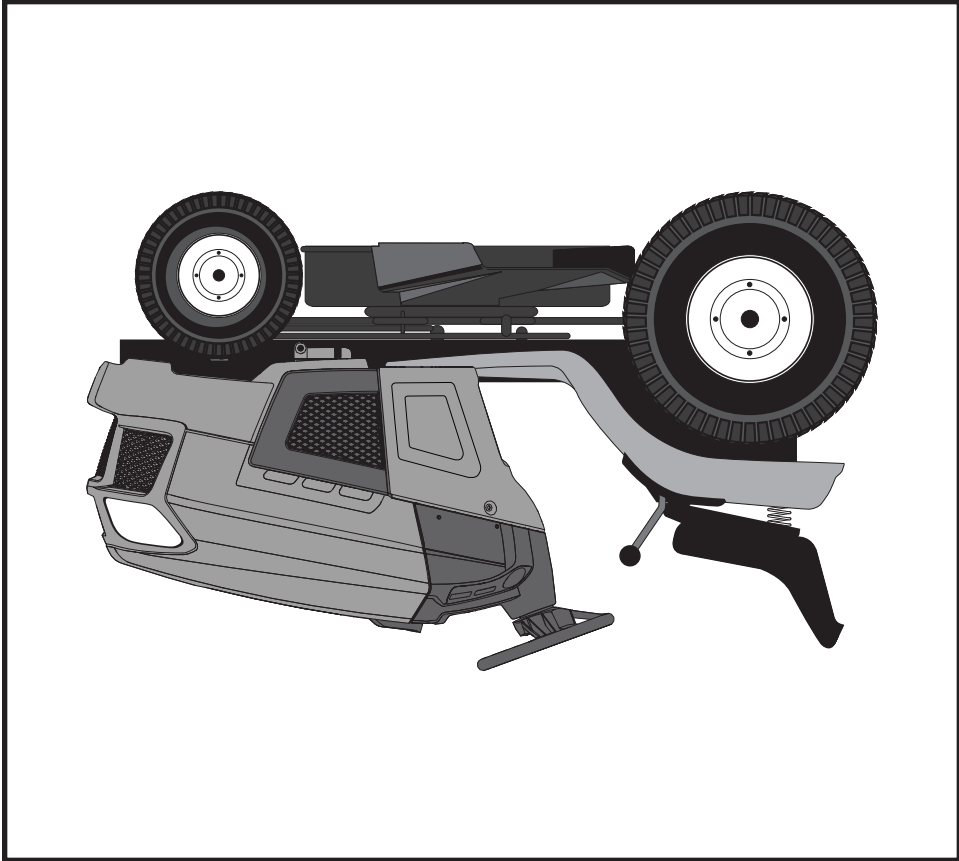
TABLE DE MATIERES

SCHEMA.....	3
ELECTRIQUE.....	4-5
CHASSIS/ENCEINTES.....	6-7
ENTRAÎNEMENT.....	8-9
MOTEUR.....	10-11
ENSEMBLE DE LA DIRECTION.....	12-13
CARTER DE TONDEUSE.....	14-15
LEVAGE DE LA TONDEUSE.....	16
ENSEMBLE DU SIÈGE.....	17
DECALCOMANIES.....	18
VOYEZ LES DÉTAILS DE TRANSMISSION.....	20-21
VOYEZ LES DÉTAILS DE MOTOR.....	22-27
GARANTIE.....	29
ENTRETIEN DE "SEARS".....	30

Sears Canada, Inc., Toronto, Ontario M5B 2B8

* La puissance nominale indiquée par le fabricant du moteur est la puissance brute moyenne (à un régime en tr/min spécifique) d'un moteur de production type pour le modèle de moteur mesuré selon les normes SAE pour la puissance brute du moteur. Se reporter au fabricant du moteur pour tous les détails.

24.0 C.V.*
DÉMARRAGE ÉLECTRIQUE
TONDEUSE DE 137 CM (54 PO.)
AUTOMATIQUE
TRACTEUR DE JARDIN



SEARS
MANUEL DES
PIÈCES DE
RECHANGE

NUMÉRO DE
MODÈLE
944.604410

IMPORTANT:
Lisez et suivez
le mode d'emploi
et toutes les
règles de sécurité
avant d'utiliser
cet équipement