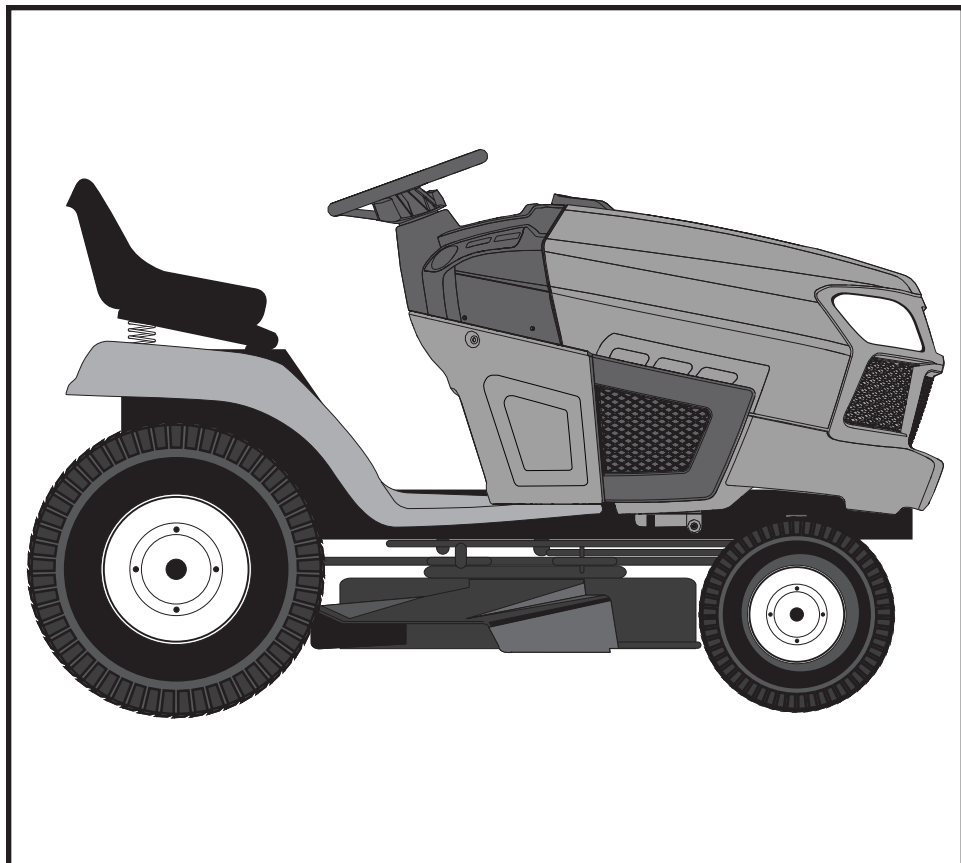


SEARS
REPAIR
PARTS
MANUAL

**MODEL NO.
944.101040**

**IMPORTANT:
Read and follow
all Safety Rules
and Instructions
Before Operating
This Equipment**



CRAFTSMAN®

**22 HP*
ELECTRIC START
46" MOWER
AUTOMATIC TRANSMISSION
LAWN TRACTOR**

* The power rating as declared by the engine manufacturer is the average gross power output at the specified RPM of a typical production engine for the engine model measured using SAE Standards for engine gross power. Please refer to the engine manufacturer for details.

Sears Canada, Inc., Toronto, Ontario M5B 2B8

115816724 Rev. 6

**10.06.17 JSE
PRINTED IN THE U.S.A.**

HOW TO USE THIS MANUAL

This manual is designed to provide the customer with a means to identify the parts on his/her tractor when ordering repair parts. The illustrations may or may not represent the actual assemblies; therefore, it is not recommended to use this manual as a guide to assemble or disassemble the tractor. Some hardware and parts are drawn larger in order to more readily identify them.

Each tractor has its own model number.

The model number for your tractor can be found on the fender under the seat.

When ordering parts, always give the following information:

- Product - "Tractor"
- MODEL NUMBER - "944.101040"
- Part Number
- Part Description

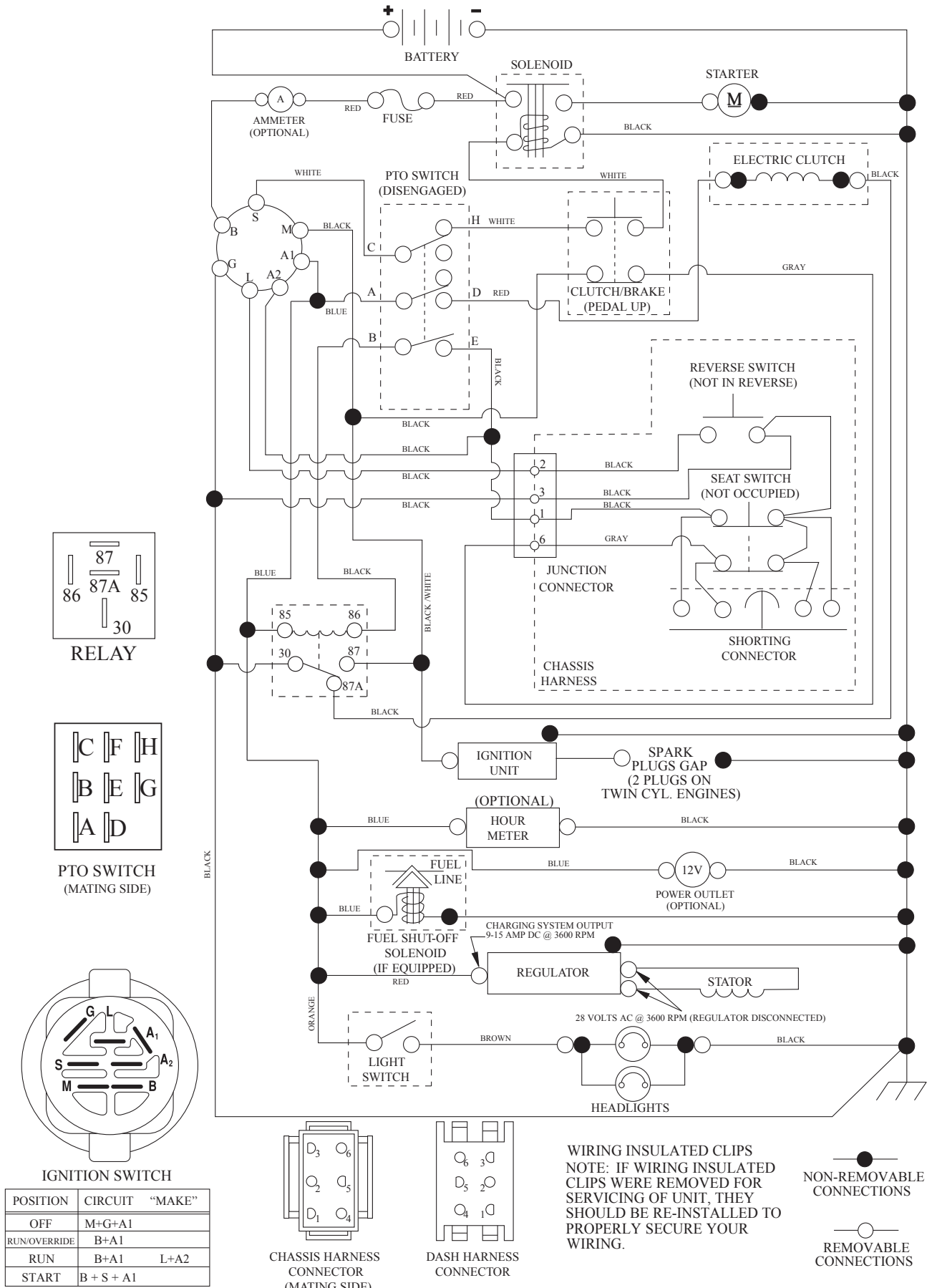
TABLE OF CONTENTS

| | |
|---------------------------|-------|
| SCHEMATIC | 3 |
| ELECTRICAL..... | 4-5 |
| CHASSIS | 6-7 |
| DRIVE..... | 8-9 |
| ENGINE..... | 10-11 |
| STEERING | 12-13 |
| MOWER DECK | 14-15 |
| MOWER LIFT..... | 16 |
| SEAT | 17 |
| DECALS..... | 18 |
| ENGINE BREAKDOWN..... | 19-23 |
| TRANSAXLE BREAKDOWN | 24-25 |
| SEARS SERVICE | 26 |

TRACTOR - - MODEL NUMBER 944.101040

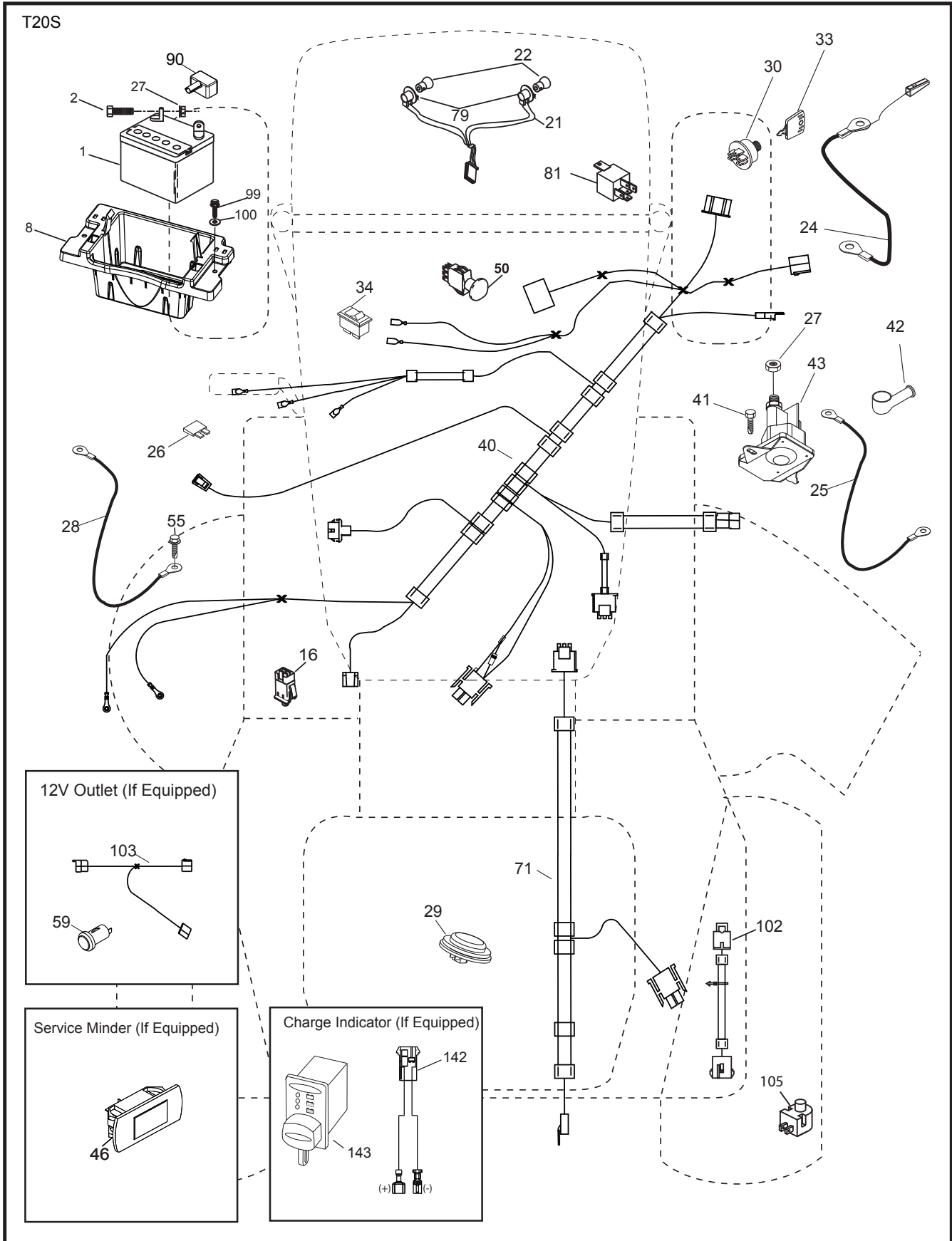
SCHEMATIC

SCH13



TRACTOR - - MODEL NUMBER 944.101040

ELECTRICAL



TRACTOR - - MODEL NUMBER 944.101040

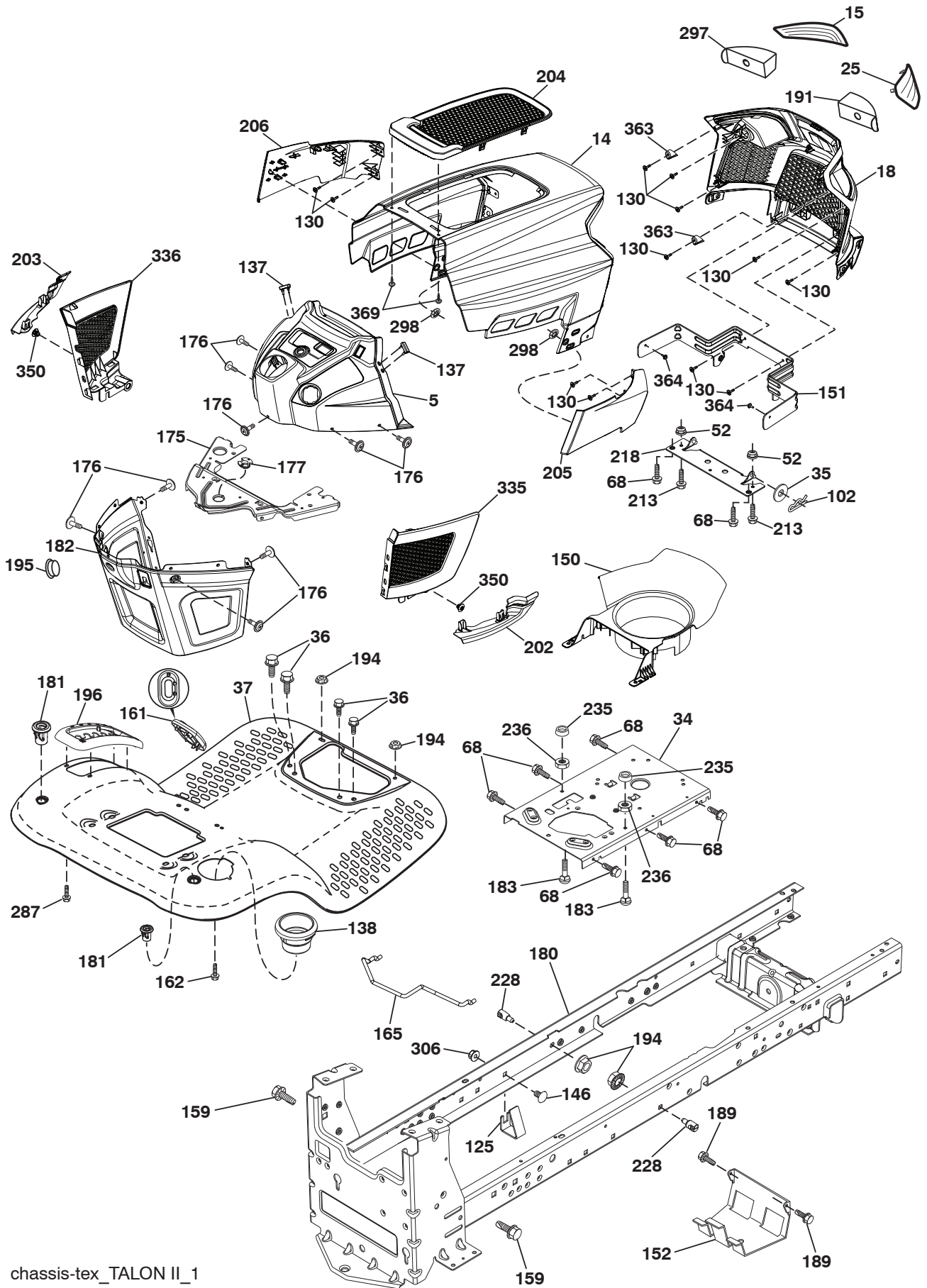
ELECTRICAL

| KEY NO. | PART NO. | DESCRIPTION |
|------------|-------------|----------------------------------|
| 1 | 163465 | Battery |
| 2 | 74760412 | Bolt Hex Hd 1/4-20 unc x 3/4 |
| 8 | 587205101 | Box Battery |
| 16 | 176138 | Switch Interlock Push-In |
| 21 | 400252 | Harness Socket Light w/4152J |
| 22 | 4152J | Bulb Light |
| 24 | 585555601 | Cable Btry. |
| 25 | 585555501 | Cable Starter |
| 26 | 175158 | Fuse |
| 27 | 73510400 | Nut Keps Hex 1/4-20 unc |
| 28 | 416588 | Cable, Ground |
| 29 | 401545 | Switch, Seat |
| 30 | 193350 | Switch, Ign |
| 33 | 411934 | Key/Chain |
| 34 | 110712X | Switch Light / Reset |
| 40 | 501133201 | Harness Ign. Elec Relay |
| 41 | 17720408 | Screw Thd Cut 1/4-20 x 1/2 |
| 42 | 131563 | Cover, Terminal |
| 43 | 192507 | Solenoid |
| 46 | 586161801 | Gauge SRVCMNDR HRMTR |
| 50 | 582107602 | Switch PTO |
| 55 | 17060512 | Screw Thdrol 5/16-18 x 3/4 TYTT |
| 71 | 194276 | Harness Ign. Chassis |
| 79 | 175242 | Bulbholder Asm. Incandescent |
| 81 | 409615 | Relay Harness Sealed |
| 90 | 435395 | Cover Terminal Battery |
| 99 | 17670412 | Screw Hexwsh Thdrol 1/4-20 x 3/4 |
| 100 | 19091416 | Washer 9/32 x 7/8 16 Ga. |
| 102 | 404454 | Harness Pigtail |
| 105 | 407568 | Switch Reverse |

NOTE: All component dimensions given in U.S. inches
1 inch = 25.4 mm

TRACTOR - - MODEL NUMBER 944.101040

CHASSIS



chassis-tex_TALON II_1

TRACTOR - - MODEL NUMBER 944.101040

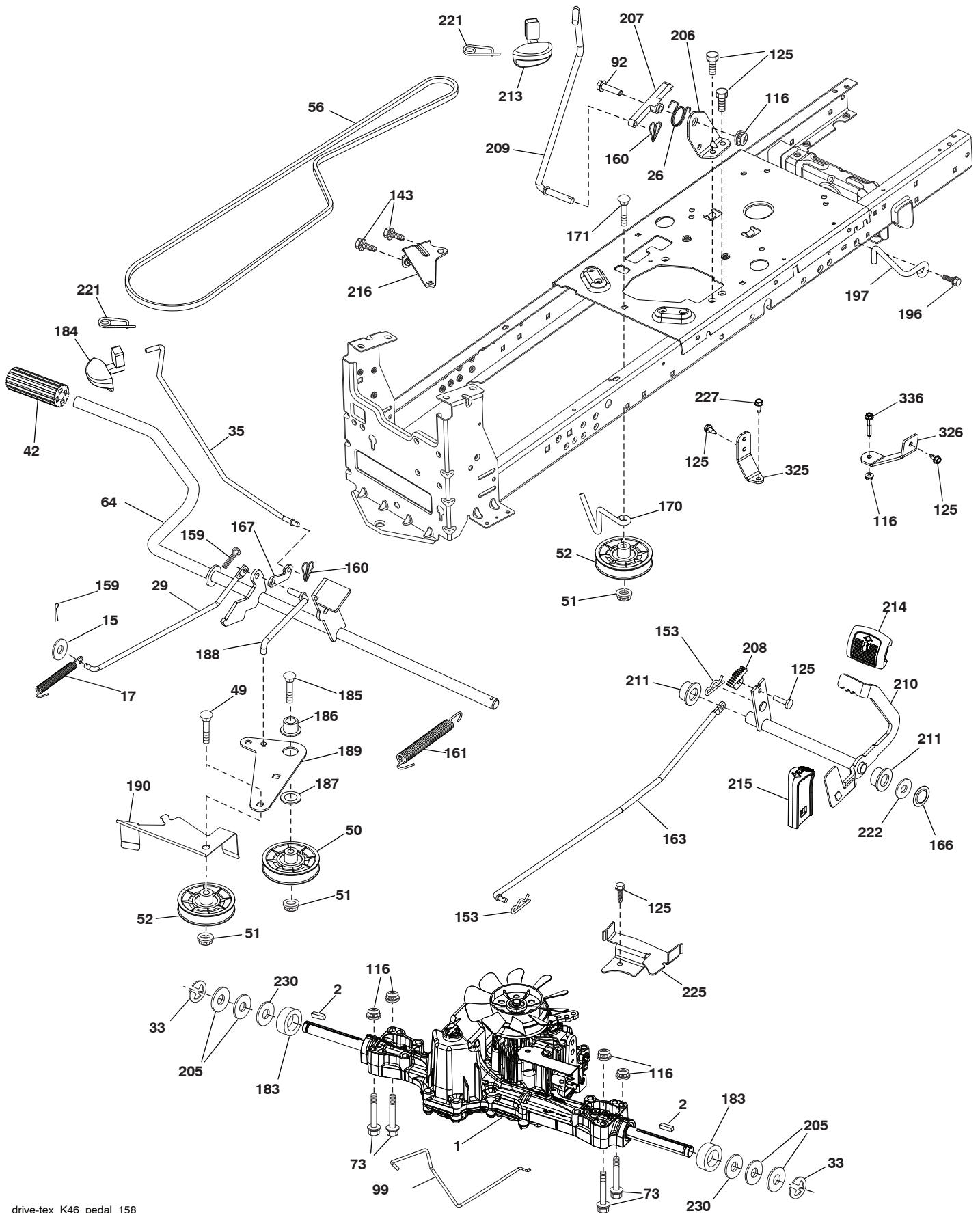
CHASSIS

| KEY PART NO. NO. | DESCRIPTION | KEY PART NO. NO. | DESCRIPTION | | |
|---------------------|-------------|--------------------------------|-------------|------------|------------------------------------|
| 5 | 580485906 | Dash | 183 | 74520520 | Bolt 5/16-18 x 1-1/4 |
| 14 | 580354407 | Hood | 189 | 17000512 | Screw 5/16-18 x 3/4 |
| 15 | 580485601 | Lens LH | 191 | 580485101 | Mylar Headlight/Reflective Lens RH |
| 18 | 580485302 | Grille | 194 | 73900500 | Nut Lock Hex Flange 5/16-18 |
| 25 | 580484501 | Lens RH | 195 | 401556X428 | Plug Hole Dash 12V Adapter |
| 34 | 580910801 | Plate engine | 196 | 431658 | Console Asm. Deck Lift |
| 35 | 19111116 | Washer 11/32 x 11/16 x 16 Ga. | 202 | 580485002 | C-Closeout Lwr Trm RH |
| 36 | 17060512 | Screw 5/16-18 x 3/4 | 203 | 580484802 | C-Closeout Lwr Trm LH |
| 37 | 414878X428 | Fender | 204 | 580484701 | Hood Top Vent |
| 52 | 73680500 | Nut Crown lock 5/16-18 | 205 | 580843707 | Assembly Corner RH |
| 68 | 17490508 | Screw Thdrol 5/16-18 x 1/2 | 206 | 580843807 | Assembly Corner LH |
| 102 | 4497H | Retainer Spring 1" | 213 | 74760512 | Bolt hex HD 5/16-18 unc x 3/4 |
| 125 | 581684801 | Clip Fuel Line | 218 | 580897301 | Pivot Hood Assy |
| 130 | 416358 | Screw # 10 x .750 BOS Thread | 228 | 195161 | Stud Fastener |
| 137 | 407590 | Bumper Dash | 235 | 406129 | Spacer Fender |
| 138 | 193224X428 | Cupholder | 236 | 73930500 | Nut Center Lock 5/16-18 |
| 146 | 581857901 | Bolt | 287 | 17600406 | Screw Hex Washhead 1/4-20 x 3/8 |
| 150 | 585238002 | Duct Heat Hood | 297 | 580484901 | Mylar Headlight/Reflective Lens LH |
| 151 | 580663302 | Bracket Pivot | 298 | 580851001 | Nut Push |
| 152 | 199535 | Shield Browning/Debris | 306 | 73900600 | Nut Lock |
| 159 | 17000612 | Screw Hexwsh Thdr 3/8-16 x 3/4 | 335 | 580484602 | C-Side Closeout RH |
| 161 | 193229X428 | Console Fuel Window | 336 | 580484402 | C-Side Closeout LH |
| 162 | 142432 | Screw Hex Wsh Hi-Lo 1/4 x 1/2 | 350 | 445143 | Clip X-Mass Tree |
| 165 | 196826 | Support Tank Rear | 363 | 580724501 | Cap Talon Grille |
| 175 | 196304 | Crossmember | 364 | 17060408 | Screw |
| 176 | 400776 | Screw 10-24 x 5/8 Wshd Qdrx | 369 | 421756 | Screw #10 x 0.500 BOS Thread |
| 177 | 195228 | Bushing Steering | | | |
| 180 | 195457 | Chassis | | | |
| 181 | 193102X428 | Bushing Mtg. Fender Crgo. | | | |
| 182 | 406859 | Dash Lower | | | |

NOTE: All component dimensions given in U.S. inches
1 inch = 25.4 mm

TRACTOR - - MODEL NUMBER 944.101040

DRIVE



TRACTOR - - MODEL NUMBER 944.101040

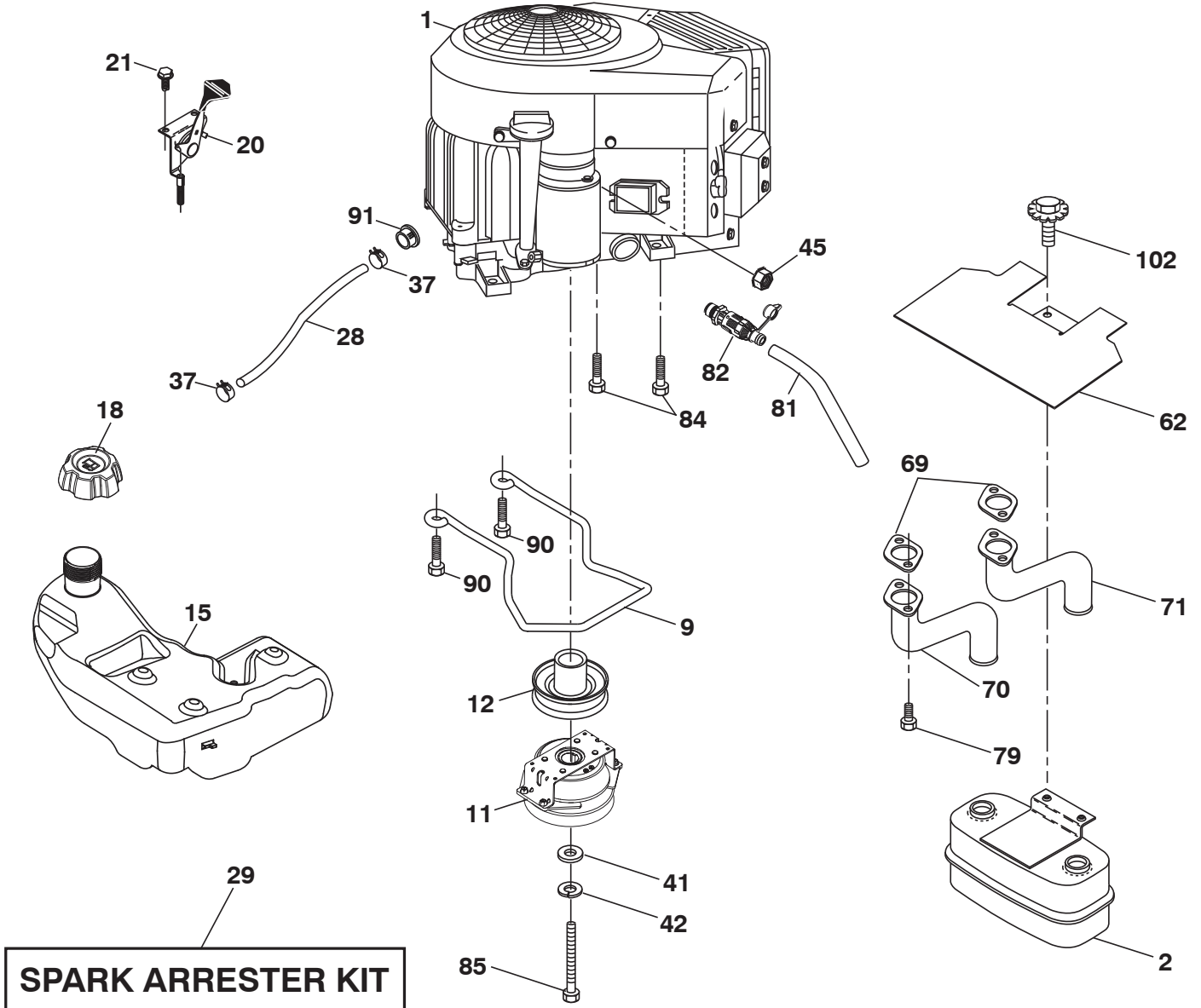
DRIVE

| KEY NO. | PART NO. | DESCRIPTION | KEY NO. | PART NO. | DESCRIPTION |
|------------|-------------|--|------------|-------------|--------------------------------|
| 1 | — — — — | Transaxle, Tufftorq K46BT (426120) (See Transaxle Breakdown.) | 184 | 196439X428 | Handle Parking Brake |
| 2 | 123583X | Key | 185 | 72110622 | Bolt |
| 15 | 19131316 | Washer 13/32 x 13/16 x 16 Ga. | 186 | 194321 | Spacer Retainer |
| 17 | 413678 | Spring, Brake | 187 | 19133210 | Washer |
| 26 | 199679 | Spring Return Cruise | 188 | 582217001 | Link Clutch Ground Drive, Long |
| 29 | 403806 | Rod, Brake | 189 | 194317 | Bellcrank Ground Drive |
| 33 | 12000001 | Ring E | 190 | 194318 | Keeper Bellcrank Ground Drive |
| 35 | 583864501 | Rod, Brake, Park | 196 | 17000616 | Screw 3/8-16 x 1 |
| 42 | 8883R | Cover, Foot Pedal | 197 | 585658601 | Link Clutch Anti-Rotation |
| 49 | 72110614 | Bolt | 205 | 121748X | Washer |
| 50 | 194327 | Pulley Idler Flat | 206 | 448596 | Bracket Mount Latch Cruise |
| 51 | 73900600 | Lock Nut 3/8-16 | 207 | 587031401 | Latch Control Cruise |
| 52 | 194326 | Idler V-Groove | 208 | 197869 | Bolt Sector Control Cruise |
| 56 | 130969 | V-Belt, Drive | 209 | 199592 | Rod Control Cruise |
| 64 | 197865 | Shaft Asm. Pedal Brake Control | 210 | 400980 | Rocker Asm. Pedal Control |
| 73 | 74490540 | Bolt 5/16-18 x 2-1/2 Gr. 5 | 211 | 120183X | Bearing, Nylon |
| 92 | 74760520 | Bolt Fin. Hex 5/16-18 unc x 1.25 | 213 | 196441X428 | Knob Control Cruise |
| 99 | 415742 | Rod Asm. Bypass | 214 | 421263 | Pad Pedal Forward |
| 116 | 73900500 | Nut Lock Hex Flange 5/16-18 | 215 | 197301X428 | Pad Pedal Reverse |
| 125 | 17000512 | Screw 5/16-18 x 3/4 | 216 | 196131 | Bracket Pulley Idler |
| 143 | 17490508 | Screw 5/16-18 x 1/2 | 221 | 403187 | Retainer Spring Clip Handle |
| 153 | 4497H | Retainer Spring | 222 | 79212010 | Washer |
| 159 | 76020412 | Pin Cotter 1/8 x 3/4 | 225 | 403319 | Keeper Belt Transaxle |
| 160 | 169484 | Retainer Clip | 227 | 17490512 | Screw 5/16-18 x 3/4 |
| 161 | 105709x | Spring, Return, Clutch | 230 | 188967 | Washer Harden |
| 163 | 448275 | Rod Pedal Control | 325 | 585668502 | Torque Strap K46 LT RH |
| 166 | 429164 | Nut, Push | 326 | 585670802 | Bracket TRQ STP 46 20" Tire RH |
| 167 | 405257 | Latch Brake Parking | 336 | 587259601 | Bolt 5/16 - 18 x 1-3/4 Flanged |
| 170 | 194322 | Keeper Belt Centerspan | | | |
| 171 | 72110616 | Bolt 3/8-16 unc | | | |
| 183 | 137057 | Spacer Axle | | | |

NOTE: All component dimensions given in U.S. inches
1 inch = 25.4 mm

TRACTOR - - MODEL NUMBER 944.101040

ENGINE



engine-tex_bs-2cyl_155

TRACTOR - - MODEL NUMBER 944.101040

ENGINE

| KEY NO. | PART NO. | DESCRIPTION |
|---------|------------|---|
| 1 | - - - - | Engine B&S Model No. 44R677-0026-G1 (586607601) (See engine breakdown.) |
| 2 | 445962 | Muffler |
| 9 | 501832601 | Keeper Belt Engine |
| 11 | 587241601 | Clutch Electric |
| 12 | 405097 | Pulley Engine |
| 15 | 532438025 | Tank Fuel |
| 18 | 585124802 | Cap Fuel |
| 20 | 421473X428 | Control Throttle |
| 21 | 416358 | Screw 10 x .750 BOS Thread |
| 28 | 401135 | Fuel Line |
| 29 | 137180 | Spark Arrester Kit |
| 37 | 123487X | Clamp Hose |
| 41 | 126197X | Washer 1-1/2 OD x 15/32 ID x .250 |
| 42 | 10040700 | Washer Lock 7/16 |
| 45 | 73510400 | Nut Keps Hex 1/4-20 unc |
| 62 | 434017 | Shield Heat Muffler |
| 69 | 165391 | Gasket |
| 70 | 581881101 | Exhaust Tube LH |
| 71 | 581881001 | Exhaust Tube RH |
| 79 | 183906 | Screw 5/16-18 x .75 |
| 81 | 148456 | Tube Drain Oil Easy |
| 82 | 428287 | Valve Oil Drain |
| 84 | 17060620 | Screw 3/8-16 x 1-1/4 |
| 85 | 179953 | Bolt Hex 7/16-20 x 3.75 Gr |
| 90 | 17000616 | Screw 3/8-16 x 1.0 |
| 91 | 187495 | Bushing |
| 102 | 17000512 | Screw 5/16-18 x 3/4 |

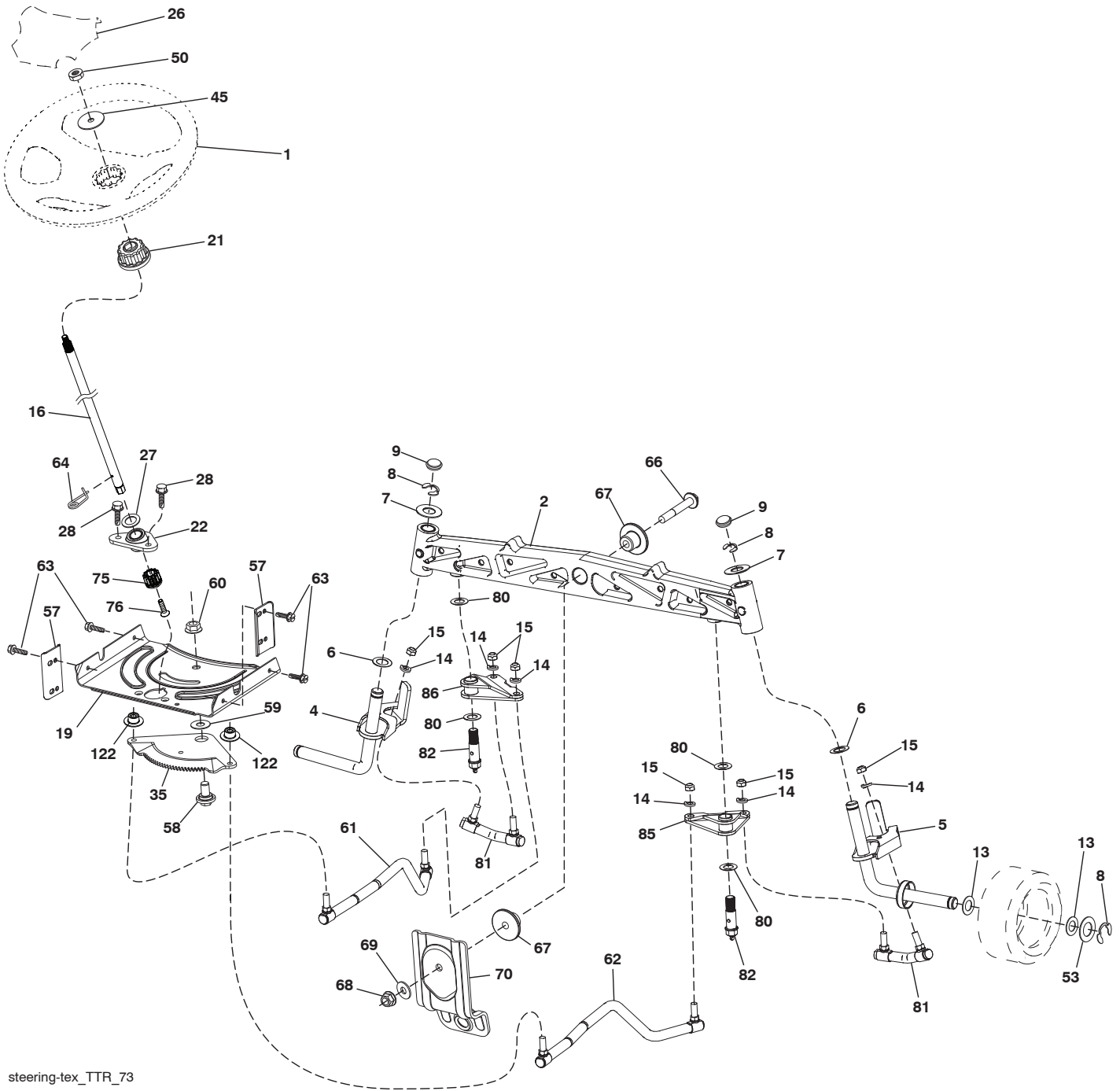
NOTE: All component dimensions given in U.S. inches
1 inch = 25.4 mm

Engine Power Rating Information

The gross power rating for individual gas engine models is labeled in accordance with SAE (Society of Automotive Engineers) code J1940 (Small Engine Power & Torque Rating Procedure), and rating performance has been obtained and corrected in accordance with SAE J1995 (Revision 2002-05). Torque values are derived at 3060 RPM; horsepower values are derived at 3600 RPM. Actual gross engine power will be lower and is affected by, among other things, ambient operating conditions and engine-to-engine variability. Given both the wide array of products on which engines are placed and the variety of environmental issues applicable to operating the equipment, the gas engine will not develop the rated gross power when used in a given piece of power equipment (actual "on-site" or net power). This difference is due to a variety of factors including, but not limited to, accessories (air cleaner, exhaust, charging, cooling, carburetor, fuel pump, etc.), application limitations, ambient operating conditions (temperature, humidity, altitude), and engine-to-engine variability. Due to manufacturing and capacity limitations, Briggs & Stratton may substitute an engine of higher rated power for this Series engine.

TRACTOR - - MODEL NUMBER 944.101040

STEERING ASSEMBLY



steering-tex_TTR_73

TRACTOR - - MODEL NUMBER 944.101040

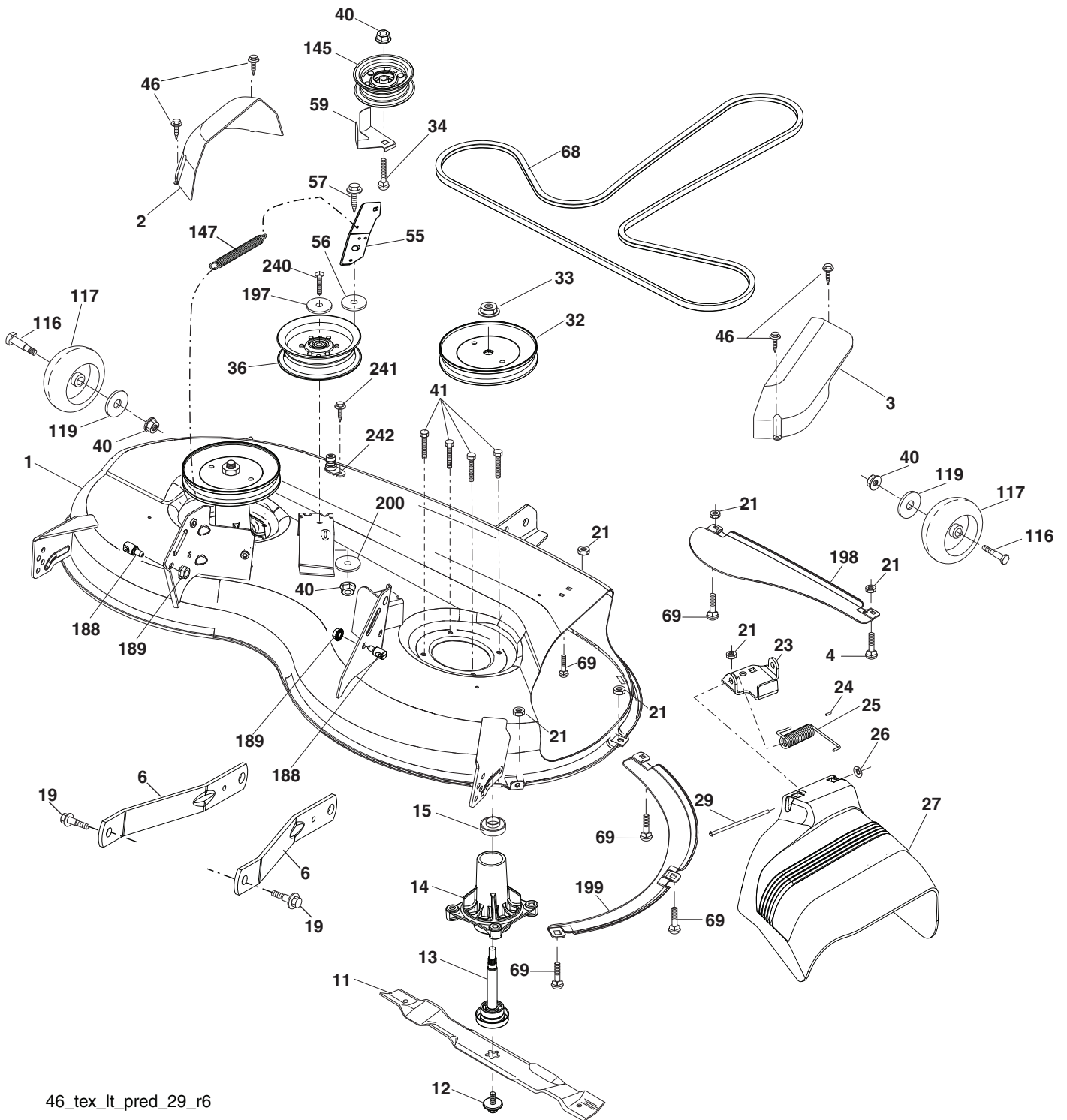
STEERING ASSEMBLY

| KEY NO. | PART NO. | DESCRIPTION |
|---------|------------|-------------------------------------|
| 1 | 414803X428 | Wheel, Steering |
| 2 | 436870 | Axle Asm., Front |
| 4 | 436873 | Spindle Asm., LH |
| 5 | 436874 | Spindle Asm., RH |
| 6 | 6266H | Washer Thrust 0.75 x 1.23 |
| 7 | 121748X | Washer 25/32 x 1-5/8 x 16 Ga. |
| 8 | 12000029 | Ring, Klip #T5304-75 |
| 9 | 184946X667 | Cap, Spindle |
| 13 | 121749X | Washer 25/32 x 1-1/4 x 16 Ga. |
| 14 | 10040600 | Washer, Lock 3/8 |
| 15 | 73540600 | Nut, Crown Lock 3/8-24 unfl |
| 16 | 587016002 | Shaft Steering |
| 19 | 194729 | Plate Steering |
| 21 | 586840201 | Adapter, Wheel Steering Splnd Alum |
| 22 | 585029901 | Bearing Subasm Shaft Steer Low |
| 26 | 414852X428 | Insert, Wheel Steering |
| 27 | 19211616 | Washer 21/32 x 1 x 16 Ga. |
| 28 | 17000612 | Screw 3/8-16 x 3/4 |
| 35 | 440770 | Gear, Sector Plate |
| 45 | 587016401 | Washer 3/8 ID 2-3/8OD 12 Ga. PLTD |
| 50 | 73900600 | Nut Lock Flg. 3/8-16 unfl |
| 53 | 188967 | Washer Hardened .793 x 1.637 x .060 |
| 57 | 407465 | Bracket Upstop |
| 58 | 194747 | Bolt Shoulder Sector Pivot CFM |
| 59 | 194748 | Washer Thrust Sector Steering |
| 60 | 73971000 | Nut Flange Lock 5/8-11 |
| 61 | 436884 | Draglink, LH |
| 62 | 436885 | Draglink, RH |
| 63 | 17000512 | Screw 5/16-18 x 3/4 |
| 64 | 199849 | Retainer Clip Spring Steering |
| 66 | 71020748 | Bolt Hex Fghd 7/16-14 x 3 Serr |
| 67 | 194737 | Bushing PM Front Axle |
| 68 | 73900700 | Nut Lock Flange 7/16-14 Gr. 5 |
| 69 | 199162 | Washer 1.5 x .505 x .118 |
| 70 | 585338801 | Bracket Deck Susp. Front |
| 75 | 580683701 | Pinion |
| 76 | 580683601 | Screw Head Sock |
| 80 | 1370H | Washer |
| 81 | 436887 | Link Cross RH |
| 82 | 442147 | Pivot Bolt |
| 85 | 441873 | Pivot RH |
| 86 | 441872 | Pivot LH |
| 122 | 444962 | Cap Gear Sector |

NOTE: All component dimensions given in U.S. inches
1 inch = 25.4 mm

TRACTOR - - MODEL NUMBER 944.101040

MOWER DECK



46_tex_lt_pred_29_r6

TRACTOR - - MODEL NUMBER 944.101040

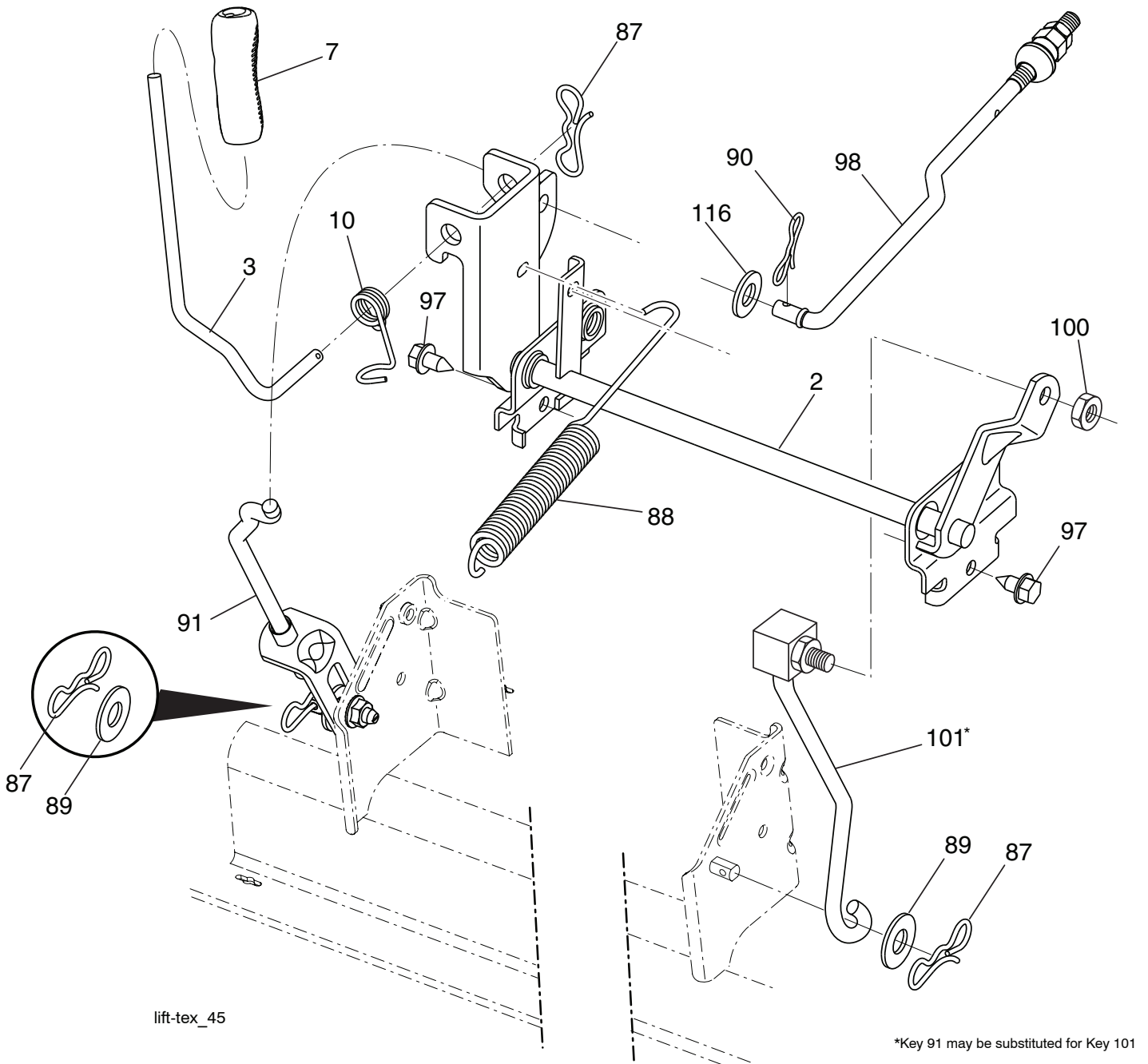
MOWER DECK

| KEY NO. | PART NO. | DESCRIPTION | KEY NO. | PART NO. | DESCRIPTION |
|---------|-----------|-------------------------------------|---------|-----------|--|
| 1 | 589535317 | Mower Housing | 68 | 405143 | V-Belt |
| 2 | 405507 | Cover Mandrel LH | 69 | 72140505 | Bolt |
| 3 | 405506 | Cover Mandrel RH | 116 | 4898H | Bolt, Shoulder |
| 4 | 74760512 | Bolt Hex Hd 5/16-18 unc x 3/4 | 117 | 188606 | Wheel, Gauge |
| 6 | 195186 | Arm Suspension | 119 | 19121414 | Washer 13/32 x 7/8 x 14 Ga. |
| 11 | 405380 | Blade Mulching | 145 | 193197 | Pulley Idler |
| 12 | 584309301 | Screw | 147 | 197251 | Spring Return |
| 13 | 587256501 | Shaft Assembly, Mandrel | 188 | 195161 | Stud Fastener |
| 14 | 187281 | Housing, Mandrel | 189 | 73900500 | Nut Lock Hex Flange |
| 15 | 585323901 | Bearing, Mandrel | 197 | 19131312 | Washer 13/32 x 13/16 x 12 Ga. |
| 19 | 196539 | Bolt, Shoulder | 198 | 403149 | Baffle Center Front |
| 21 | 73680500 | Nut | 199 | 403150 | Baffle Front RH |
| 23 | 192557 | Bracket, Deflector | 200 | 413524 | Washer 13/32 x 1 x 1/2 x 11 Ga |
| 24 | 105304X | Cap, Sleeve | 240 | 74520636 | Bolt Fin. Hex 3/8-16 x 2-1/4 Gr. 5 |
| 25 | 197026 | Spring, Torsion, Deflector | 241 | 152927 | Screw |
| 26 | 110452X | Nut, Push | 242 | 415598 | Port Washout |
| 27 | 405357 | Shield, Deflector | -- | 416405 | Coupling Quick Connect |
| 29 | 131491 | Rod, Hinge | -- | 587253301 | Mandrel Assembly (Includes housing (Key #14), shaft assembly (Key #13), and bearing only (Key #15)-pulley/nut/washer and blade bolt/washers not included.) |
| 32 | 197473 | Pulley, Mandrel | -- | 582245701 | Replacement Mower, Complete |
| 33 | 400234 | Nut, Toplock, Flanged | | | |
| 34 | 72110612 | Bolt Carr. Sh. 3/8-16 x 1-1/2 Gr. 5 | | | |
| 36 | 197379 | Pulley, Idler, Flat | | | |
| 40 | 73900600 | Nut, Lock Flg. 3/8-16 unc | | | |
| 41 | 584953901 | Bolt Hx Wsh Hd 313-18 x 1.19 | | | |
| 46 | 137729 | Screw | | | |
| 55 | 197249 | Arm, Idler | | | |
| 56 | 199092 | Spacer, Retainer | | | |
| 57 | 17000616 | Screw Hex Wsh. Thd. 3/8-16 x 1 | | | |
| 59 | 141043 | Guard, Tuv. Idler (94) | | | |

NOTE: All component dimensions given in U.S. inches
1 inch = 25.4 mm

TRACTOR - - MODEL NUMBER 944.101040

MOWER LIFT



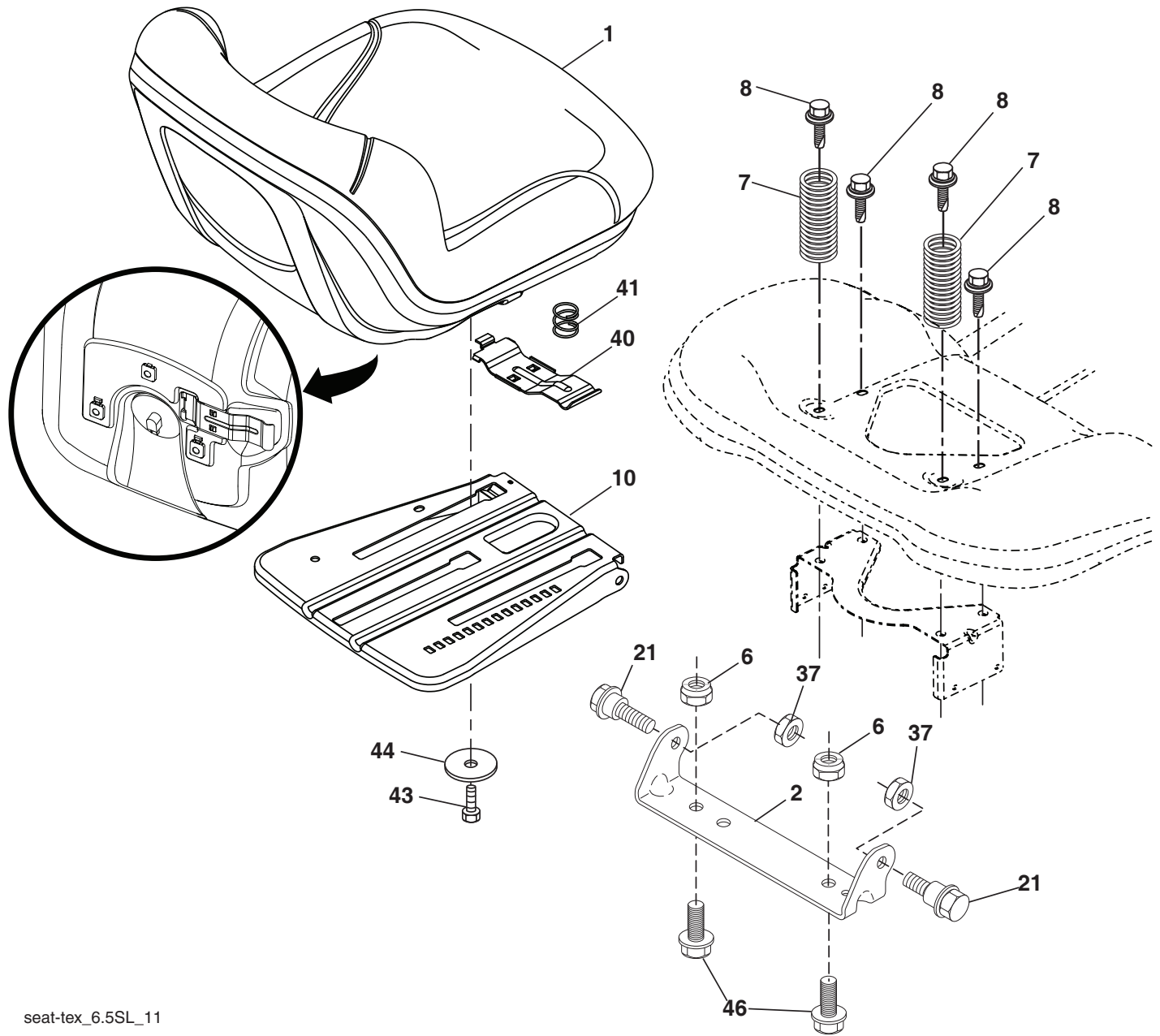
| KEY NO. | PART NO. | DESCRIPTION |
|---------|------------|------------------------------|
| 2 | 422027 | Shaft Asm., Lift |
| 3 | 426896 | Lever Asm., Lift RH |
| 7 | 445060X428 | Grip, Lever |
| 10 | 196314 | Spring Torsion |
| 87 | 194209 | Pin Cotter 7/16 Bow Tie Lock |
| 88 | 410710 | Spring Lift Assist |
| 89 | 19191912 | Washer Clear Zinc |
| 90 | 194208 | Pin Cotter 5/16 Bow Tie Lock |
| 91 | 195181 | Link Lift Susp Mower Rear |

| KEY NO. | PART NO. | DESCRIPTION |
|---------|----------|-------------------------------|
| 97 | 17000612 | Screw 3/8-16 x .75 |
| 98 | 195270 | Link Lift Susp. Front Mower |
| 100 | 73930600 | Nut Centerlock 3/8-16 unc |
| 101 | 407003 | Link Asm Lift Fxd |
| 116 | 19151516 | Washer 15/32 x 15/16 x 16 Ga. |

NOTE: All component dimensions given in U.S. inches
1 inch = 25.4 mm

TRACTOR -- MODEL NUMBER 944.101040

SEAT ASSEMBLY



seat-tex_6.5SL_11

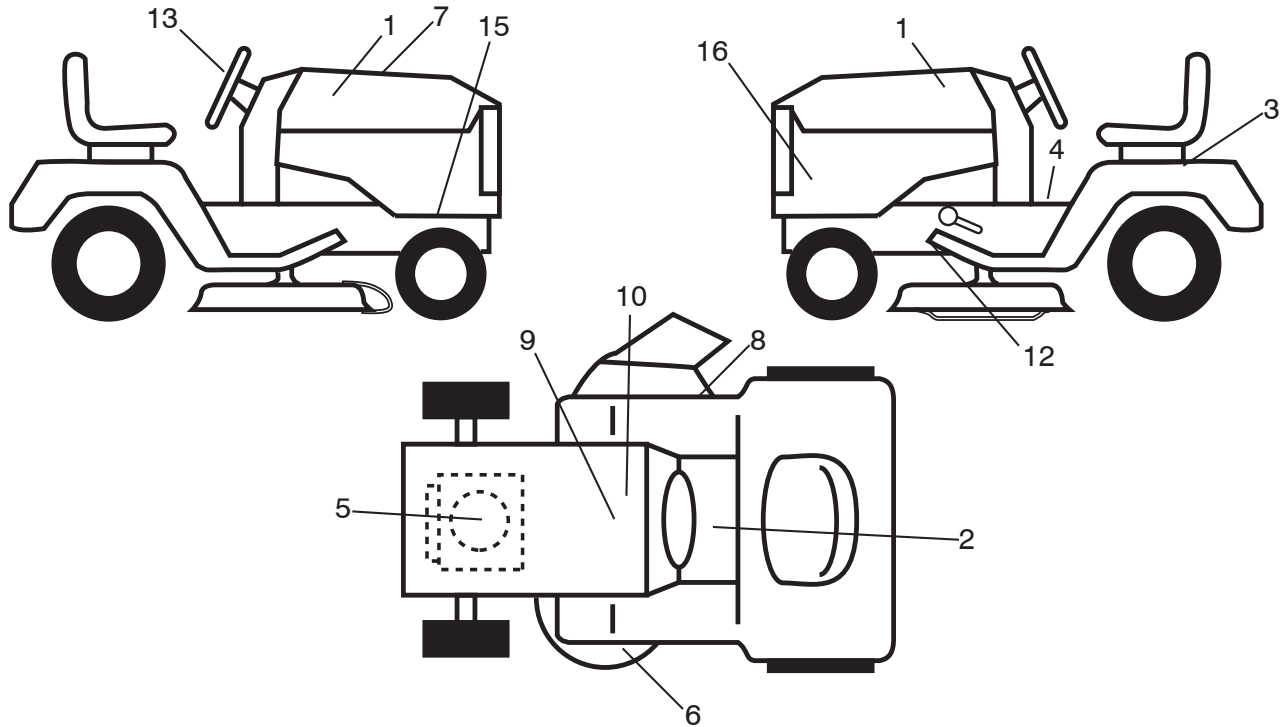
| KEY NO. | PART NO. | DESCRIPTION |
|---------|-----------|-------------------------------|
| 1 | 586507601 | Seat |
| 2 | 180166 | Bracket Pivot Fender |
| 6 | 73800600 | Nut, Lock W/Ins. 3/8-16 unc |
| 7 | 587613301 | Spring, Seat Cprsn |
| 8 | 171877 | Bolt 5/16-18 unc x 3/4 w/Sems |
| 10 | 196977 | Pan, Seat |
| 21 | 587907801 | Bolt, Shoulder 5/16-18 x 5/8 |
| 37 | 73800500 | Nut, Lock 5/16-18 unc |
| 40 | 197661 | Handle Slide Seat |

| KEY NO. | PART NO. | DESCRIPTION |
|---------|-----------|-------------------------------|
| 41 | 198200 | Spring Latch Seat |
| 43 | 74760612 | Bolt 3/8-16 x 3/4 |
| 44 | 19133812 | Washer 13/32 x 2-3/8 x 12 Ga. |
| 46 | 588090401 | Bolt 3/8-16 x 1.25 |

NOTE: All component dimensions given in U.S. inches
1 inch = 25.4 mm

TRACTOR - - MODEL NUMBER 944.101040

DECALS



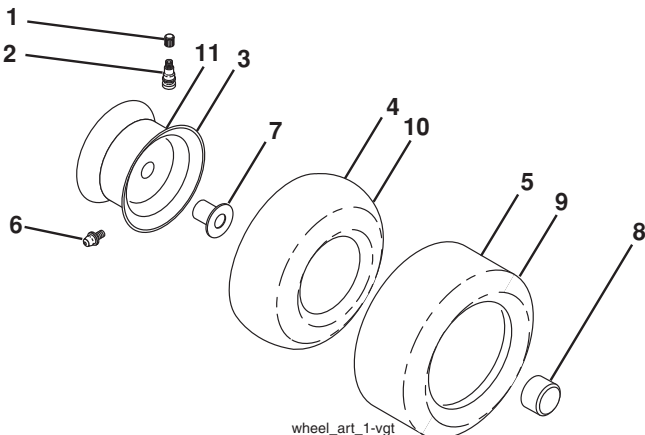
KEY PART NO. NO.

| KEY PART NO. | NO. | DESCRIPTION |
|--------------|-----------|-----------------------------|
| 1 | 585767601 | Decal, Hood |
| 2 | 581579901 | Decal, Warn. Spark |
| 3 | 587390301 | Decal, Fender Dichard |
| 4 | 581579001 | Decal, Warning |
| 5 | 582522401 | Decal, Engine |
| 6 | 581580001 | Decal, B-Belt Schematic |
| 7 | 427508 | Decal, RPL |
| 8 | 584904601 | Decal, Deck/Deflect Warning |
| 9 | 149517 | Decal, Battery Warning |
| 10 | 448709 | Decal, Battery |

KEY PART NO. NO.

| KEY PART NO. | NO. | DESCRIPTION |
|--------------|------------|-------------------------------------|
| 15 | 586208001 | Decal, Sideskirt RH |
| 16 | 586208002 | Decal, Sideskirt LH |
| 12 | 421534 | Decal, Mower V-Belt Schematic |
| 13 | 581894601 | Decal, Steering Wheel |
| -- | 581724801 | Decal, Bypass |
| -- | 193226X428 | Pad, Footrest, LH |
| -- | 400981X428 | Pad, Footrest, RH |
| -- | 115816626 | Manual, Operator's (English/French) |
| -- | 115816724 | Manual, Parts (English/French) |

WHEELS AND TIRES



wheel_art_1-vgt

KEY PART NO. NO.

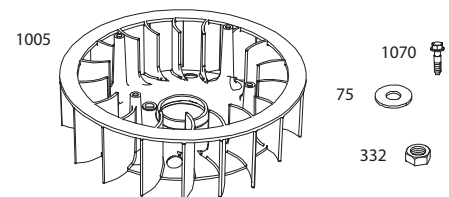
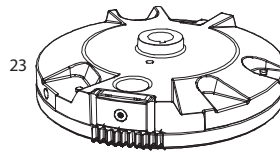
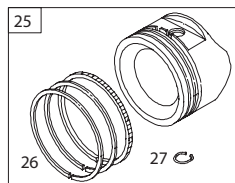
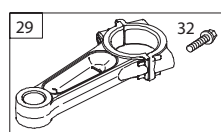
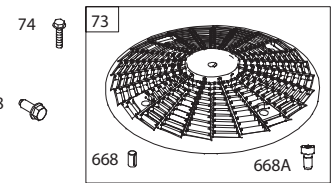
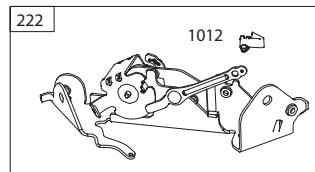
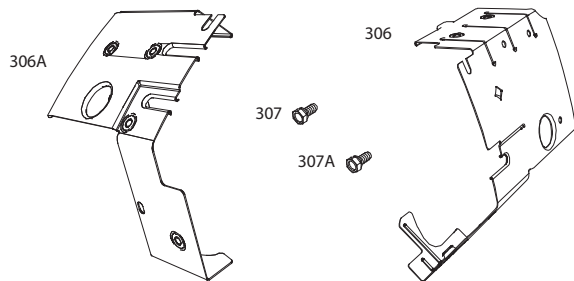
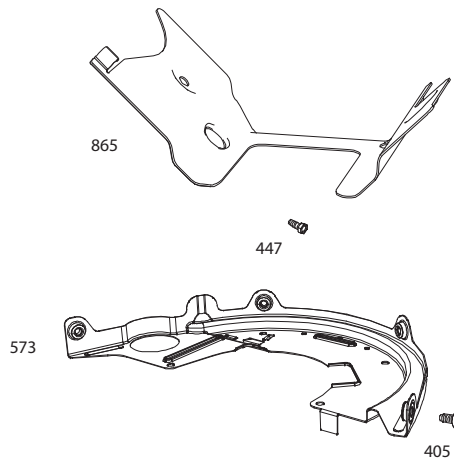
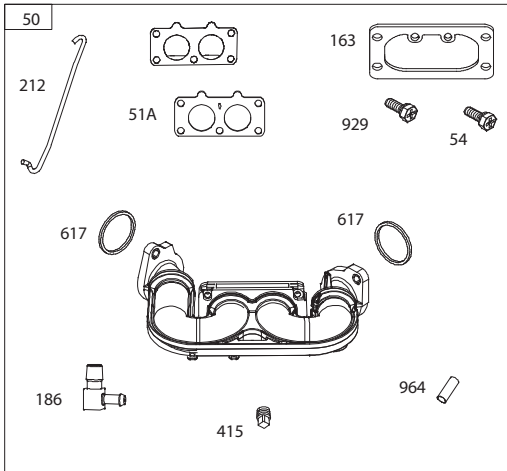
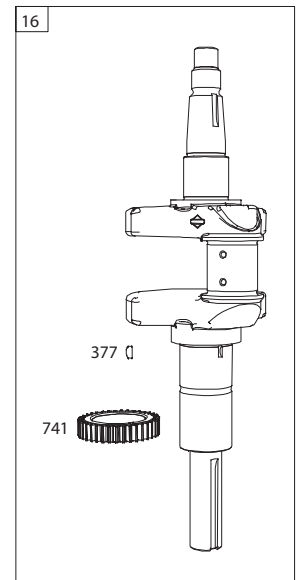
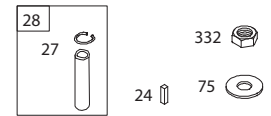
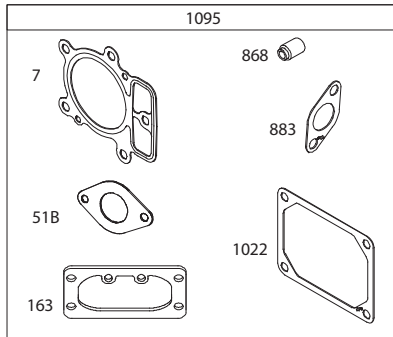
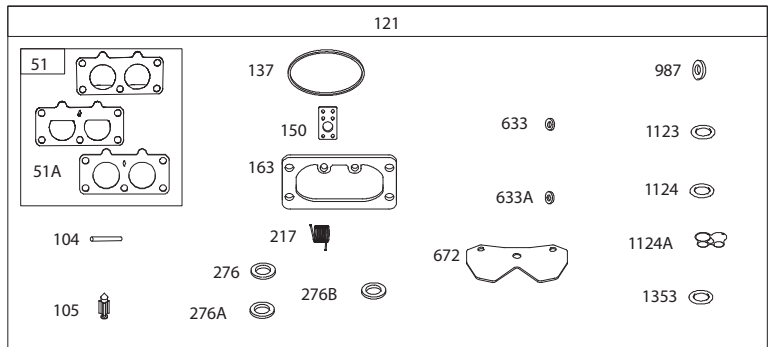
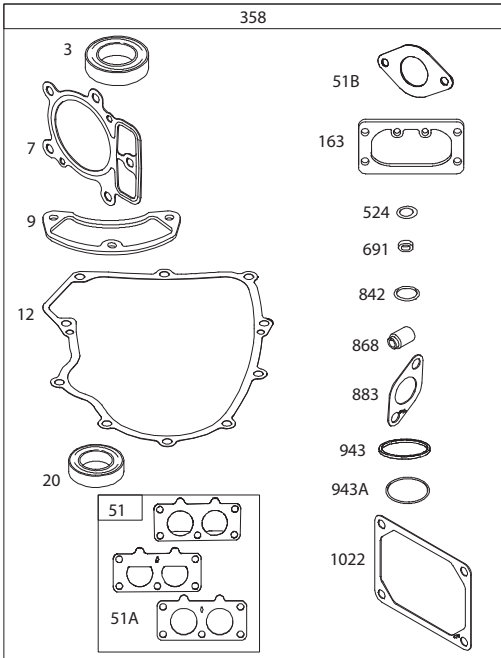
| KEY PART NO. | NO. | DESCRIPTION |
|--------------|------------|-----------------------------|
| 1 | 59192 | Cap, Valve, Tire |
| 2 | 65139 | Stem, Valve |
| 3 | 106732X613 | Rim Assembly, Front |
| 4 | 59904 | Tube, Front |
| 5 | 106222X | Tire, Front 15 x 6-6 |
| 6 | 278H | Fitting, Grease |
| 7 | 9040H | Bearing, Flange |
| 8 | 104757X428 | Cap, Axle |
| 9 | 138468 | Tire, Rear 20 x 8-8 |
| 10 | 7152J | Tube, Rear |
| 11 | 106108X613 | Rim Assembly, Rear |
| -- | 144334 | Sealant, Tire (10 oz. Tube) |

NOTE: All component dimensions given in U.S. inches
1 inch = 25.4 mm

TRACTOR - - MODEL NUMBER 944.101040

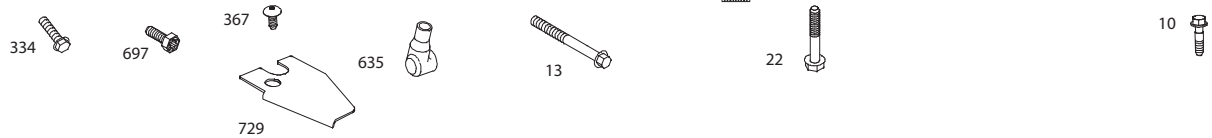
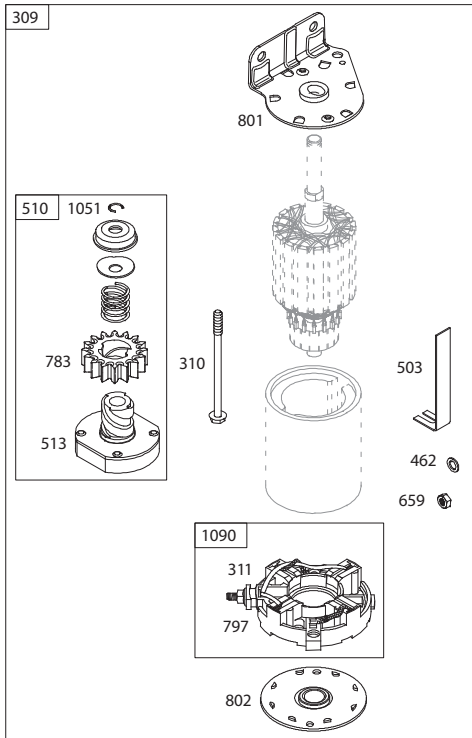
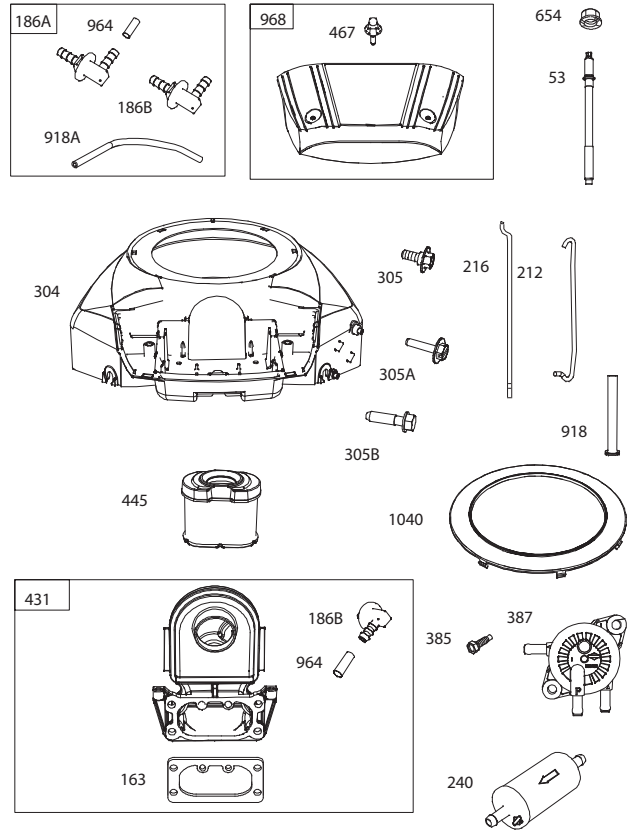
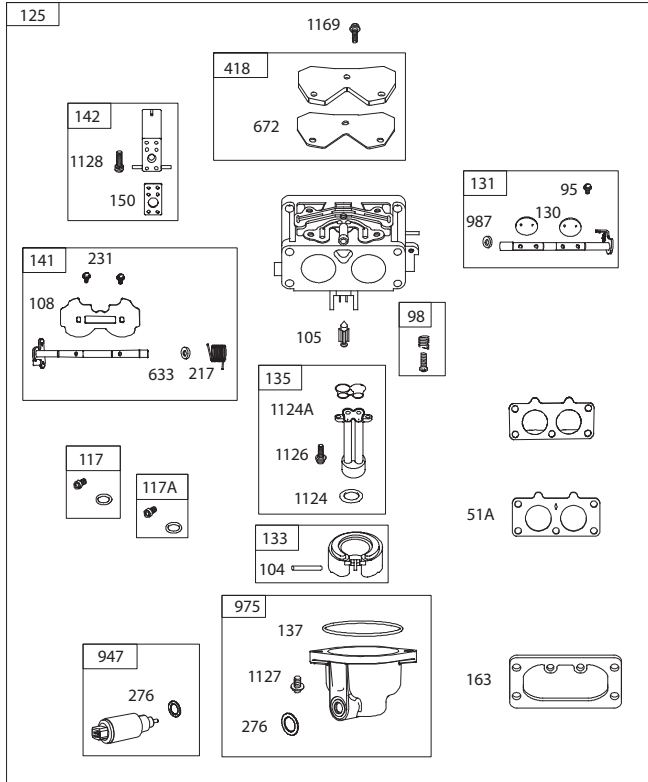
BRIGGS ENGINE - MODEL NUMBER 44R677, TYPE NUMBER 0026-G1

48 1036 1058 1329 1330

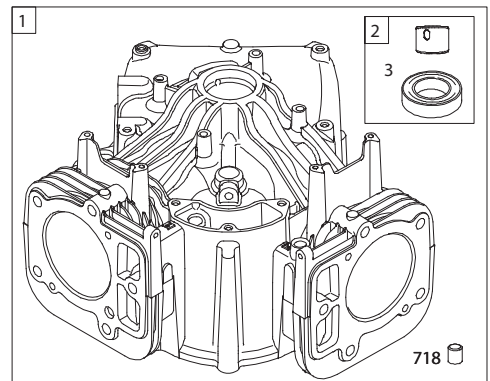
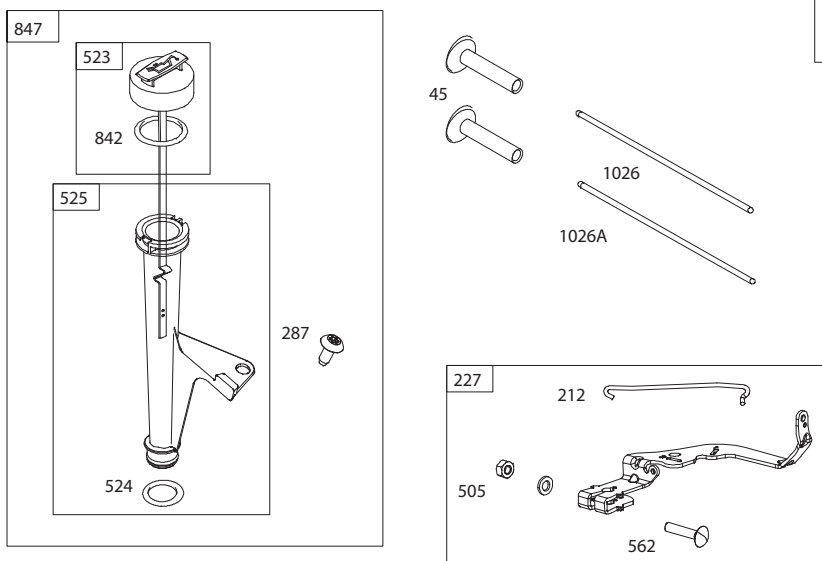
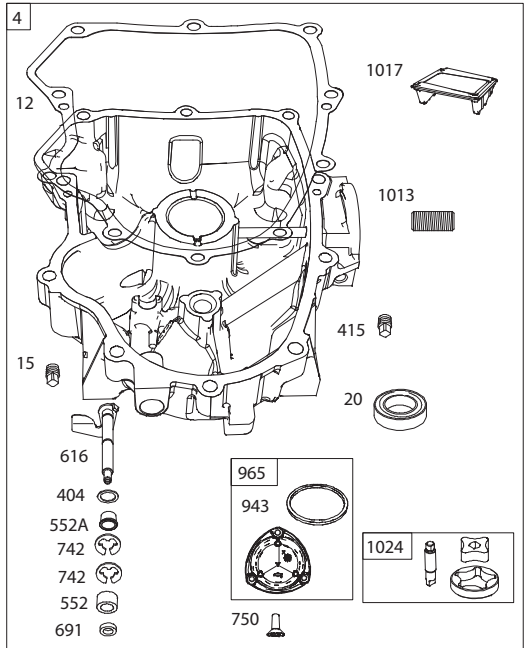
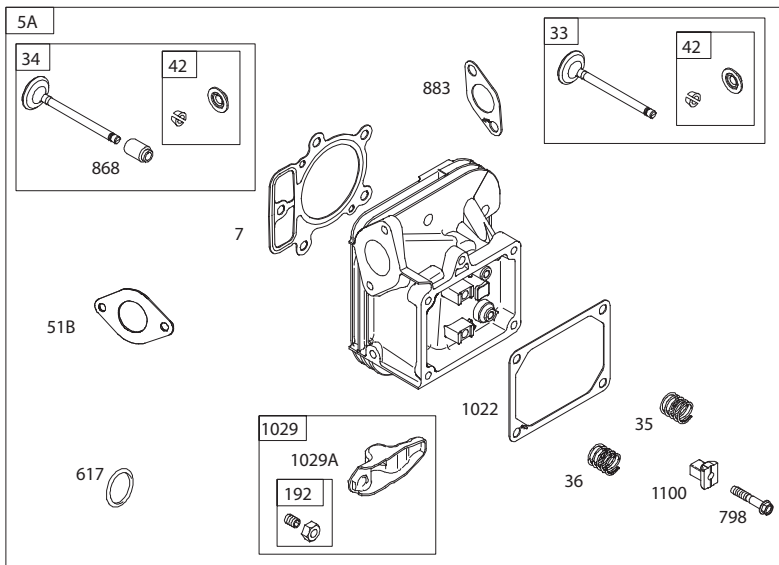
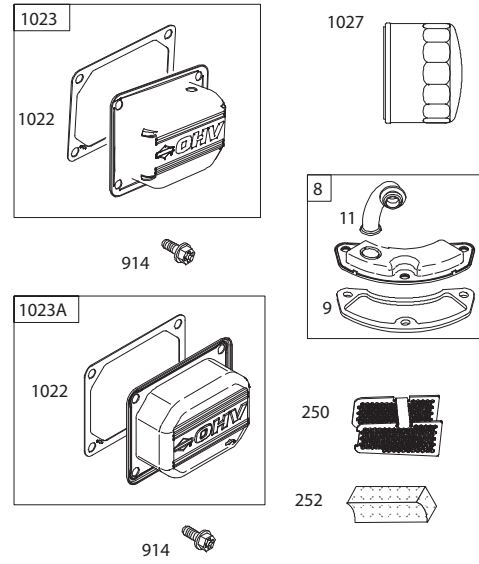
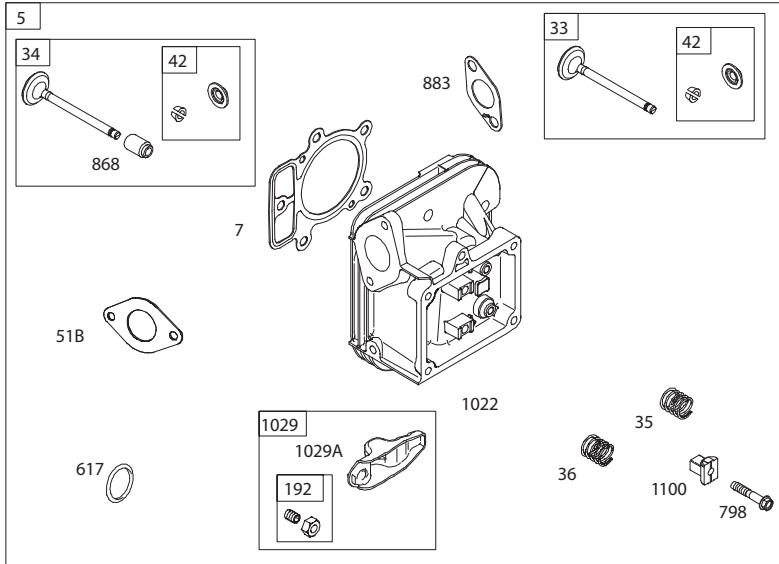


TRACTOR - - MODEL NUMBER 944.101040

BRIGGS ENGINE - MODEL NUMBER 44R677, TYPE NUMBER 0026-G1



TRACTOR - - MODEL NUMBER 944.101040
BRIGGS ENGINE - MODEL NUMBER 44R677, TYPE NUMBER 0026-G1



TRACTOR - - MODEL NUMBER 944.101040
BRIGGS ENGINE - MODEL NUMBER 44R677, TYPE NUMBER 0026-G1

| KEY NO. | PART NO. | DESCRIPTION | KEY NO. | PART NO. | DESCRIPTION |
|---------|----------|---|---------|----------|---|
| 1 | 591695 | Cylinder Assembly | 133 | 699724 | Float-Carburetor |
| 2 | 797673 | Bushing/Seal Kit (Magneto Side) | 135 | 699729 | Tube-Fuel Transfer |
| 3 | 391086s | Seal-Oil (Magneto Side) | 137 | 690994 | Gasket-Float Bowl |
| 4 | 796307 | Sump-Engine | 141 | 796228 | Kit-Choke Shaft |
| 5 | 796231 | Head-Cylinder (Cylinder #1) | 142 | 699726 | Nozzle-Carburetor |
| 5A | 796232 | Head-Cylinder (Cylinder #2) | 150 | 841649 | Gasket-Nozzle |
| 7 | 693997 | Gasket-Cylinder Head | 163 | 691001 | Gasket-Air Cleaner |
| 8 | 792185 | Breather Assembly | 186 | 795985 | Connector-Hose (Intake Manifold) |
| 9 | 690937 | Gasket-Breather | 186A | 799158 | Connector-Hose (EVAP) |
| 10 | 691108 | Screw (Breather Assembly) | 186B | 845141 | Connector-Hose (EVAP) |
| 11 | 792184 | Tube-Breather | 187 | 791766 | Line-Fuel (Cut to Required Length) |
| 12 | 591911 | Gasket-Crankcase | | | |
| 13 | 793988 | Screw (Cylinder Head) | 188 | 691108 | Screw (Control Bracket) |
| 15 | 690946 | Plug-Oil Drain | 192 | 690083 | Adjuster-Rocker Arm |
| 16 | 796237 | Crankshaft | 209 | 798921 | Spring-Governor (Orange) |
| 20 | 795387 | Seal-Oil (PTO Side) | 211 | 691019 | Spring-Governed Idle (No Color) |
| 22 | 694966 | Screw (Crankcase Cover/Sump) | 212 | 695238 | Link-Throttle |
| 23 | 691053 | Flywheel | 216 | 796229 | Link-Choke |
| 24 | 222698s | Key-Flywheel (Aluminum) | 217 | 799771 | Spring-Choke Return |
| 25 | 792023 | Piston Assembly (Standard) | 219 | 793338 | Gear-Governor |
| | 792072 | Piston Assembly (020" Oversize) | 220 | 799772 | Washer (Governor Gear) |
| 26 | 792026 | Ring Set (Standard) | 221 | 841026 | Cup-Governor |
| | 792073 | Ring Set (.020" Oversize) | 222 | 592555 | Bracket-Control |
| 27 | 690975 | Lock-Piston Pin | 227 | 798856 | Lever-Governor Control |
| 28 | 696581 | Pin-Piston | 231 | 690718 | Screw (Choke Valve) |
| 29 | 796209 | Rod-Connecting | 240 | 695666 | Filter-Fuel |
| 32 | 690976 | Screw (Connecting Rod) | 250 | 690957 | Retainer-Breather |
| 33 | 697576 | Valve-Exhaust | 252 | 794389 | Collector-Oil |
| 34 | 792200 | Valve-Intake | 265 | 691024 | Clamp-Casing |
| 35 | 694865 | Spring-Valve (Intake) | 267 | 792629 | Screw (Casing Clamp) |
| 36 | 694865 | Spring-Valve (Exhaust) | 276 | 695410 | Washer-Sealing (Aluminum) |
| 42 | 499586 | Keeper-Valve | 276A | 690997 | Washer-Sealing (Fiber) |
| 45 | 690977 | Tappet-Valve | 276B | 794271 | Washer-Sealing |
| 46 | 792555 | Camshaft | 287 | 697820 | Screw (Dipstick Tube) |
| 48 | N/A | Short Block (Not Available At This Printing) | 304 | 591668 | Housing-Blower |
| | | | 305 | 691005 | Screw (Blower Housing) (1/4-20x.66) |
| 50 | 591784 | Manifold-Intake | | | |
| 51 | 795123 | Gasket-Intake | 305A | 790690 | Screw (Blower Housing) (Blower Housing to Intake Elbow) |
| 51A | 690950 | Gasket-Intake | | | |
| 51B | 690949 | Gasket-Intake | 305B | 691061 | Screw (Blower Housing) (#8-32x.87) |
| 53 | 690951 | Stud (Carburetor) | | | |
| 54 | 699816 | Screw (Intake Manifold) | 306 | 591666 | Shield-Cylinder (Cylinder #2) |
| 73 | 494439 | Screen-Rotating | 306A | 796852 | Shield-Cylinder (Cylinder #1) |
| 74 | 698425 | Screw (Rotating Screen) | 307 | 691003 | Screw (Cylinder Shield) |
| 75 | 691056 | Washer (Flywheel) | 307A | 691108 | Screw (Cylinder Shield) (1/4-20x.66) |
| 95 | 690718 | Screw (Throttle Valve) | | | |
| 98 | 699721 | Kit-Idle Speed | 309 | 497595 | Motor-Starter |
| 104 | 694918 | Pin-Float Hinge | 310 | 690323 | Screw (Starter Motor) |
| 105 | 797410 | Valve-Float Needle | 311 | 497608 | Brush Set |
| 108 | 699723 | Valve-Choke | 332 | 691059 | Nut (Flywheel) |
| 117 | 792296 | Jet-Main (Standard) (Left Jet) | 333 | 592846 | Armature-Magneto |
| 117A | 842627 | Jet-Main (Standard) (Left Jet) | 334 | 691061 | Screw (Magneto Armature) |
| 118 | 699457 | Jet-Main (High Altitude) (Left Jet) (5000/9000 Feet) | 337 | 792015 | Plug-Spark |
| | | | 358 | 694012 | Gasket Set-Engine |
| 118A | 699733 | Jet-Main (High Altitude) (Right Jet) (5000/9000 Feet) | 367 | 697820 | Screw (Wire Clip) |
| | | | 377 | 690979 | Key-Woodruff |
| 121 | 797890 | Kit-Carburetor Overhaul | 385 | 797409 | Screw (Fuel Pump) |
| 125 | 796227 | Carburetor | 387 | 808656 | Pump-Fuel |
| 130 | 690993 | Valve-Throttle | 404 | 690442 | Washer (Governor Crank) |
| 131 | 499805 | Kit-Throttle Shaft | 405 | 697820 | Screw (Back Plate) |

TRACTOR - - MODEL NUMBER 944.101040
BRIGGS ENGINE - MODEL NUMBER 44R677, TYPE NUMBER 0026-G1

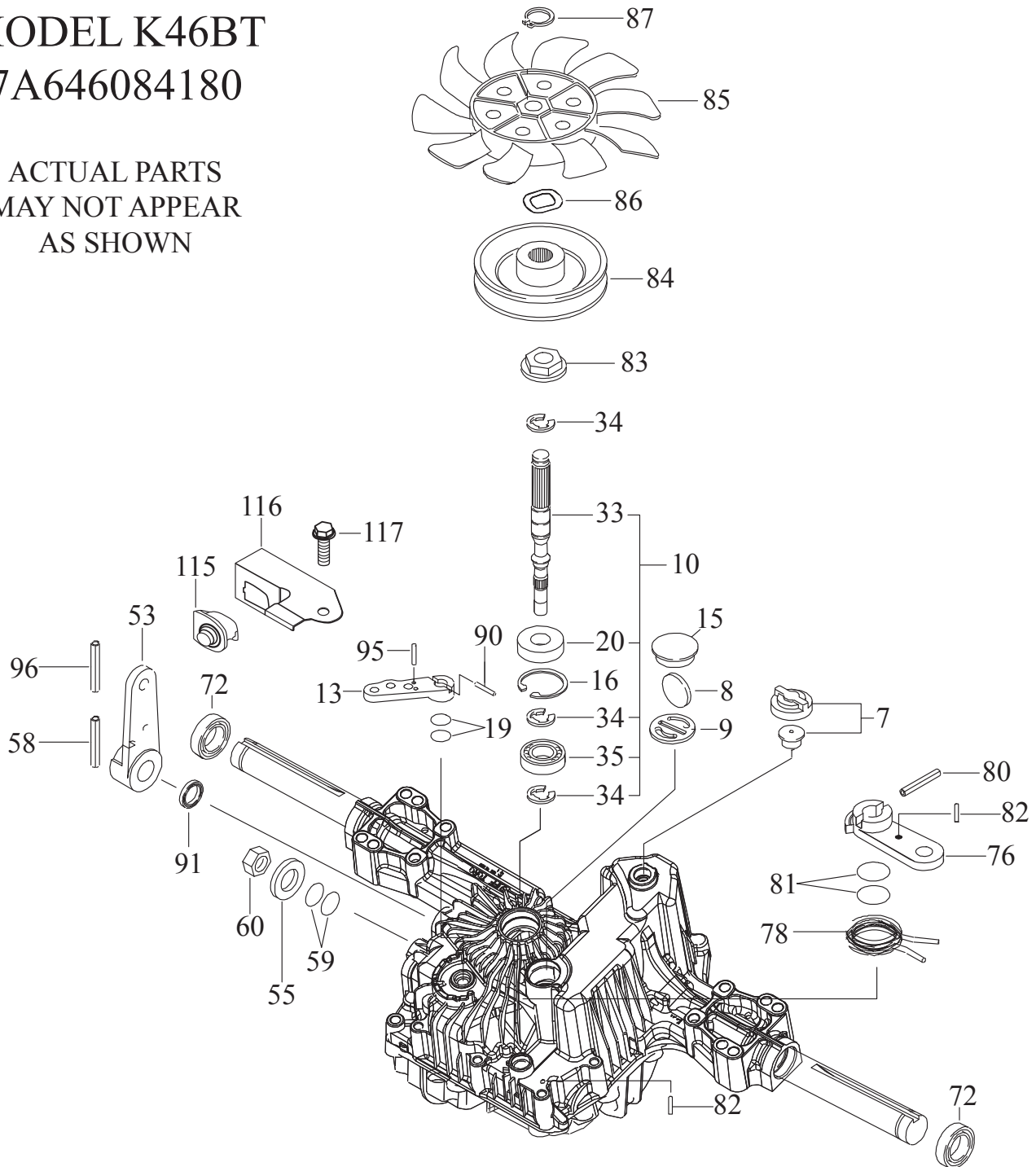
| KEY NO. | PART NO. | DESCRIPTION | KEY NO. | PART NO. | DESCRIPTION |
|---------|----------|--|-------------------------|-----------|--|
| 415 | 794903 | Plug | 918 | 797408 | Hose-Vacuum (Rocker Cover #1) |
| 418 | 795912 | Plate-Carburetor | 918A | 799160 | Hose-Vacuum (EVAP) |
| 431 | 591661 | Elbow-Intake | 929 | 695239 | Screw (Choke Control Bracket) |
| 445 | 593240 | Filter-Air Cleaner Cartridge | 943 | 796222 | Seal-O Ring (Oil Pump Cover) |
| 447 | 691003 | Screw (Air Guide Cover) (#10-24x.43) | 943A | 690589 | (Square Cut) (I.D. 2.48) |
| 462 | 691261 | Washer (Starter Cable) | 947 | 798779 | Seal-O Ring (Oil Pump Cover) |
| 467 | 790697 | Knob-Air Cleaner | 964 | 799159 | Solenoid-Fuel |
| 474 | 592830 | Alternator | 965 | 796221 | Cap-Connector |
| 501 | 845907 | Regulator | 968 | 795120 | Cover-Oil Pump |
| 503 | 691532 | Strap-Starter | 975 | 796777 | Cover-Air Cleaner |
| 505 | 691029 | Nut (Governor Control Lever) | 987 | 691000 | Bowl-Fuel |
| 510 | 696541 | Drive-Starter | 1005 | 791236 | Seal-Throttle Shaft |
| 513 | 692024 | Clutch-Drive | 1012 | 592556 | Fan-Flywheel |
| 523 | 691036 | Dipstick | 1013 | 690954 | Retainer-Link |
| 524 | 691032 | Seal-Dipstick Tube | 1017 | 796214 | Nipple-Oil Filter |
| 525 | 691037 | Tube-Dipstick | 1022 | 690971 | Screen-Oil Pump |
| 526 | 691108 | Screw (Regulator) | 1023 | 793146 | Gasket-Rocker Cover |
| 552 | 796638 | Bushing-Governor Crank | 1023A | 499600 | Cover-Rocker (Cylinder #1) |
| 552A | 690553 | Bushing-Governor Crank | 1024 | 796220 | Cover-Rocker (Cylinder #2) |
| 562 | 690311 | Screw (Governor Control Lever) | 1026 | 690981 | Pump-Oil |
| 573 | 790444 | Plate-Back | 1026A | 690982 | Rod-Push (Exhaust) (Steel) |
| 601 | 691038 | Hose-Clamp (Black) | 1027 | 795890 | Rod-Push (Intake) (Aluminum) |
| 615 | 698290 | Retainer-Governor Shaft | 1029 | 690972 | Filter-Oil |
| 616 | 691045 | Crank-Governor | 1029A | 807323 | Arm-Rocker |
| 617 | 697891 | Seal-O Ring (Intake Manifold) | 1036 | | Arm-Rocker |
| | | (Red) | | | Label-Emissions (Available from a Briggs & Stratton Authorized Dealer) |
| 633 | 699813 | Seal-Choke/Throttle Shaft (Choke Shaft) | 1040 | 791237 | Plate-Trim |
| 633A | 690998 | Seal-Choke/Throttle Shaft | 1051 | 691265 | Ring-Retaining |
| 635 | 66538s | Boot-Spark Plug | 1058 | 381258TRI | Operator's Manual |
| 654 | 690958 | Nut (Carburetor) (Serrated) | 1059 | 698516 | Kit-Screw/Washer (Alternator) |
| 659 | 691029 | Nut (Starter Strap) | 1070 | 592604 | Screw (Flywheel Fan) |
| 668 | 691500 | Spacer (Rotating Screen) | 1090 | 691293 | Retainer-Brush |
| 668A | 691215 | Spacer (Rotating Screen) | 1095 | 694013 | Gasket Set-Valve |
| 672 | 690234 | Gasket-Carburetor Plate | 1100 | 791959 | Pivot-Rocker Arm |
| 691 | 790574 | Seal-Governor Shaft | 1119 | 691183 | Screw (Alternator) |
| 697 | 591909 | Screw (Drive Cap) | 1123 | 690987 | Seal-O Ring (Solenoid Retainer) |
| 703 | 691010 | Clip (Fuel Line) | 1124 | 841653 | Seal-O Ring (Fuel Transfer Tube) |
| 718 | 690959 | Pin-Locating | 1124A | 690988 | Seal-O Ring (Fuel Transfer Tube) |
| 729 | 797454 | Clip-Wire | 1126 | 690991 | Screw (Fuel Transfer Tube) |
| 741 | 690980 | Gear-Timing | 1127 | 695407 | Screw (Float Bowl) |
| 742 | 690328 | Retainer-E Ring | 1128 | 690990 | Screw (Carburetor Nozzle) |
| 750 | 796208 | Screw (Oil Pump Cover) | 1193 | 592577 | Screw (Thermostat) (#10-32x.62) |
| 783 | 695708 | Gear-Pinion | 1329 | N/A | Replacement Engine (Not Available At This Printing) |
| 789 | 591392 | Harness-Wiring | | | |
| 797 | 693167 | Nut (Brush Retainer) | 1330 | N/A | Repair Manual (Not Available At This Printing) |
| 798 | 697890 | Screw (Rocker Arm) | | | |
| 801 | 691283 | Cap-Drive | 1353 | 699725 | Seal-O Ring (Fuel Transfer Tube Extension) |
| 802 | 691286 | Cap-End | | | |
| 842 | 691031 | Seal-O Ring (Dipstick Tube) | | | |
| 847 | 499602 | Dipstick/Tube Assembly | Carburetor Overhaul Kit | | Key No. 121 |
| 850 | 100106 | Sealant-Liquid | Engine Gasket Set | | Key No. 358 |
| 851 | 493880s | Terminal-Spark Plug | Valve Gasket Set | | Key No. 1095 |
| 865 | 591667 | Cover-Air Guide (Valley) | | | |
| 868 | 690968 | Seal-Valve | | | |
| 877 | 790544 | Wire/Connector-Alternator | | | |
| 883 | 690970 | Gasket-Exhaust | | | |
| 914 | 691127 | Screw (Rocker Cover) | | | |

NOTE: All component dimensions given in U.S. inches
1 inch = 25.4 mm

TRACTOR - - MODEL NUMBER 944.101040
TUFF TORQ TRANSAXLE - MODEL NUMBER K46BT

MODEL K46BT
7A646084180

ACTUAL PARTS
MAY NOT APPEAR
AS SHOWN



**TRACTOR - - MODEL NUMBER 944.101040
TUFF TORQ TRANSAXLE - MODEL NUMBER K46BT**

| KEY NO. | PART NO. | DESCRIPTION |
|--------------------|---------------------|------------------------|
| 7 | 414395 | VENT VALVE 15 |
| 8 | 414396 | MAGNET |
| 9 | 414397 | MAGNET HOLDER |
| 10 | 415923 | PUMP SHAFT/BEARING KIT |
| 13 | 414398 | BYPASS LEVER |
| 15 | 414399 | SEALING CAP 30 |
| 16 | 414400 | SNAP RING C 35 |
| 19 | 414401 | O-RING 1A P10A |
| 20 | 414402 | SEAL TC 153507 |
| 33 | 414403 | PUMP SHAFT (STANDARD) |
| 34 | 414404 | E-RING 15 |
| 35 | 414405 | BEARING 6202C3 |
| 53 | 414431 | CONTROL LEVER F |
| 55 | 415924 | WASHER 12 |
| 58 | 415925 | ROLL PIN 6 * 40 |
| 59 | 415926 | O-RING 1A P14 |
| 60 | 415927 | NUT 12 |
| 72 | 414407 | SEAL 19 * 32 * 8 |
| 76 | 414408 | BRAKE LEVER |
| 78 | 414409 | BRAKE RETURN SPRING |
| 80 | 414410 | SPRING PIN 5 * 32 |
| 81 | 414411 | O-RING 1A P12 |
| 82 | 414412 | SPRING PIN 4 * 16 |
| 83 | 414413 | SPINE COLLAR |
| 84 | 414414 | PULLEY L |
| 85 | 414415 | FAN, BLACK |
| 86 | 414416 | WAVE WASHER |
| 87 | 414417 | SNAP RING |
| 90 | 414418 | SPRING PIN 3.0A * 20 |
| 91 | 414419 | OIL SEAL 16 * 22 *.03 |
| 95 | 414850 | SPRING PIN 3.0A*16 |
| 96 | 414420 | ROLL PIN 3.5 * 40 |
| 115 | 415928 | SWITCH 6440-11 DELTA |
| 116 | 415929 | SWITCH BRACKET |
| 117 | 415930 | TAPPING SCREW 8 * 20 |

NOTE: All component dimensions given in U.S. inches.
1 inch = 25.4 mm

**TRACTEUR - - NUMÉRO DE MODÈLE 944.101040
TRANSMISSION "TUFFTORQ" - NO. DE MODÈLE K46BT**

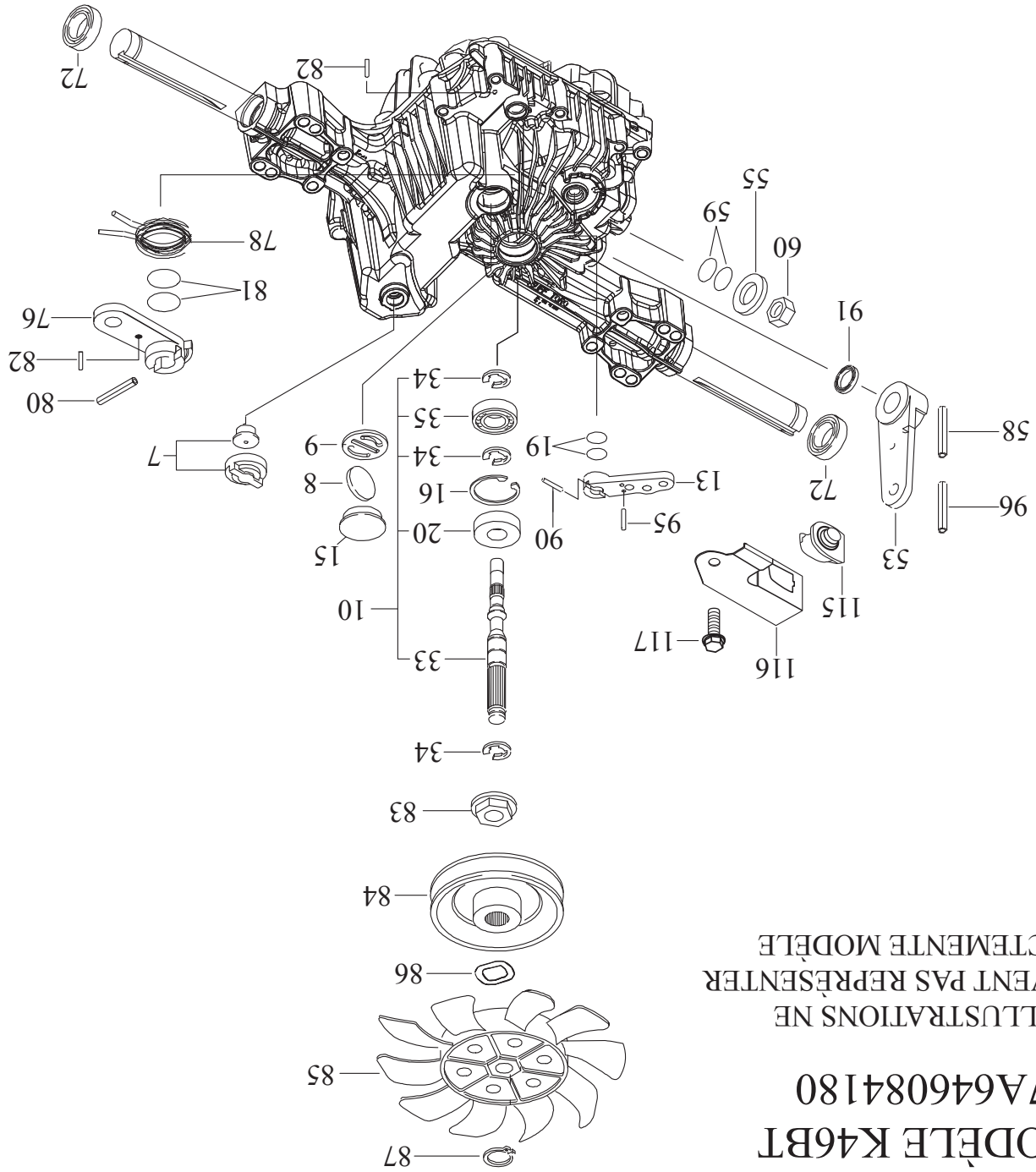
| NO. | DE | REF. | PIECE | DESCRIPTION |
|-----|----|--------|------------------------------------|-------------|
| 7 | | 414395 | Conduit 15 | |
| 8 | | 414396 | Almant | |
| 9 | | 414397 | Porte-aimant | |
| 10 | | 415923 | Pomper l'Arbre/Trousse de maintien | |
| 13 | | 414398 | Sauter le levier | |
| 15 | | 414399 | Casquette scellant 30 | |
| 16 | | 414400 | Claquer l'anneau C 35 | |
| 19 | | 414401 | O-anneau 1A P10a | |
| 20 | | 414402 | Scellant Tc 153507 | |
| 33 | | 414403 | Pomper l'Arbre (Standard | |
| 34 | | 414404 | E-anneau 15 | |
| 35 | | 414405 | Bearing 6202c3 | |
| 53 | | 414431 | Levier de commande | |
| 55 | | 415924 | Rondelle 12 | |
| 58 | | 415925 | Rouler l'épingle 6 * 40 | |
| 59 | | 415926 | O-anneau 1A P14 | |
| 60 | | 415927 | Ecrou 12 | |
| 72 | | 414407 | Scellant 19 * 32 * 8 | |
| 76 | | 414408 | Levier de frein à main | |
| 78 | | 414409 | Freiner le retour de printemps | |
| 80 | | 414410 | Bondir l'épingle 5 * 32 | |
| 81 | | 414411 | O-anneau 1A P12 | |
| 82 | | 414412 | Bondir l'épingle 4 * 16 | |
| 83 | | 414413 | Col d'épine | |
| 84 | | 414414 | Pouille L | |
| 85 | | 414415 | Ventilateur, noir | |
| 86 | | 414416 | Rondelle | |
| 87 | | 414417 | Sonner le claquement | |
| 90 | | 414418 | Bondir l'épingle 3.0a * 20 | |
| 91 | | 414419 | Huiler le cachet 16 * 22 * 03 | |
| 95 | | 414850 | Bondir l'épingle 3.0a * 16 | |
| 96 | | 414420 | Rouler l'épingle 3.5 * 40 | |
| 115 | | 415928 | Interrupteur 6440-11 DELTA | |
| 116 | | 415929 | Support de Interrupteur | |
| 117 | | 415930 | Vis 8 * 20 | |

REMARQUE: Toutes les dimensions de composant sont données en pouces E.-U. -- 1 pouce = 25,4 mm

**TRACTEUR - - NUMÉRO DE MODÈLE 944.101040
TRANSMISSION "TUFFTORQ" - NO. DE MODÈLE K46BT**

**MODÈLE K46BT
7A646084180**

LES ILLUSTRATIONS NE
PEUVENT PAS REPRÉSENTER
EXACTEMENT LE MODÈLE



**TRACTEUR - - NUMÉRO DE MODÈLE 944.101040
MOTEUR "BRIGGS & STRATTON" - NO. DE MODÈLE 44R677, NO. DE TYPE 0026-G1**

| NO. DE PIÈCE | DESCRIPTION | NO. DE PIÈCE | DESCRIPTION | NO. DE PIÈCE | DESCRIPTION |
|--------------|-------------|--------------|---------------------------------------|--------------|-------------|
| 552 | 796638 | 552 | Douille, Manivelle du Régulateur | 968 | 795120 |
| 552A | 69053 | 552A | Douille, Manivelle du Régulateur | 975 | 796777 |
| 562 | 690311 | 562 | Vis de Levier de Régulateur | 987 | 691000 |
| 573 | 790444 | 573 | Plat-En arrière | 1005 | 791236 |
| 601 | 691038 | 601 | Bride de Serrage de Tuyau | 1012 | 592556 |
| 615 | 698290 | 615 | Attâche, Arbre de Régulateur | 1013 | 690954 |
| 616 | 691045 | 616 | Manivelle du Régulateur | 1017 | 796214 |
| 617 | 697891 | 617 | Anneau de Joint-o (tubulure de prise) | 1022 | 690971 |
| 633 | 699813 | 633 | Siège de Arbre de Starter / Papillon | 1023 | 793146 |
| 633A | 690998 | 633A | Siège de Arbre de Starter / Papillon | 1024 | 796220 |
| 635 | 665385 | 635 | Conde de Bougie d'allumage | 1026 | 690981 |
| 654 | 690958 | 654 | Écrou (Carburateur) | 1027 | 795890 |
| 659 | 691029 | 659 | Écrou | 1029 | 690972 |
| 668 | 691500 | 668 | Entretien, Support de Commande | 1029A | 807323 |
| 668A | 691215 | 668A | Entretien, Support de Commande | 1036 | |
| 672 | 690234 | 672 | Plat de Garniture-Carburateur | 1036 | |
| 691 | 790574 | 691 | Joint d'axe du Gouverneur | 1040 | 791237 |
| 697 | 591909 | 697 | Vis, Moteur de Rebobinage | 1051 | 691265 |
| 703 | 691010 | 703 | Agrafe | 1058 | 381258TRI |
| 718 | 690959 | 718 | Goupille de Emplacement | 1059 | 698516 |
| 729 | 797454 | 729 | Agrafe-Fil | 1070 | 592604 |
| 738 | 695708 | 738 | Vitresse-Fignon | 1095 | 694013 |
| 742 | 690228 | 742 | Bague en E | 1100 | 791959 |
| 747 | 499602 | 747 | Ensemble des Tube et Jauge de Rem- | 1109 | 694013 |
| 801 | 691283 | 801 | Chapeau-Conduisez | 1119 | 691183 |
| 802 | 691286 | 802 | Monture | 1124 | 841653 |
| 842 | 691031 | 842 | Joint Torique, d'étanchéité | 1123 | 690987 |
| 847 | 499602 | 847 | Ensemble des Tube et Jauge de Rem- | 1128 | 690990 |
| 850 | 100106 | 850 | Mastic-Liquide | 1127 | 695407 |
| 851 | 493880S | 851 | Borne, Bougie d'allumage | 1128 | 690990 |
| 865 | 591667 | 865 | Guide de Couvrir-Air (vallée) | 1193 | 592577 |
| 868 | 690968 | 868 | Joint d'étanchéité, Soupape | 1329 | N/A |
| 877 | 790544 | 877 | Fil/Connecteur-Alternateur | 1330 | N/A |
| 883 | 690970 | 883 | Garniture d'échappement | 1353 | 699725 |
| 914 | 691127 | 914 | Vis, Couverture de Balancier | | |
| 918 | 797408 | 918 | Ligne-Vide (couverture de culbuteur) | | |
| 918A | 799160 | 918A | Ligne-Vide | | |
| 929 | 695239 | 929 | Vis (paréthèse de commande de | | |
| 943 | 796222 | 943 | bobine) | | |
| 943A | 690589 | 943A | Anneau de Joint-o (couverture de | | |
| 947 | 798779 | 947 | pompe d'huile) | | |
| 964 | 799159 | 964 | Chapeau-Connecteur | | |
| 965 | 796221 | 965 | Pompe de Couvrir-Huile | | |

REMARQUE: Toutes les dimensions de composant sont données en pouces E.-U. -- 1 pouce = 25,4 mm

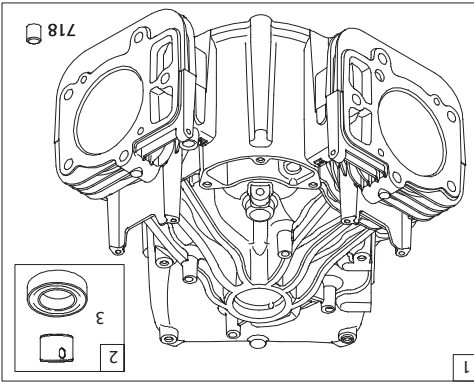
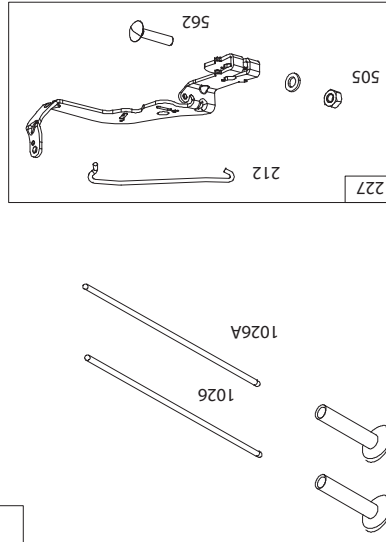
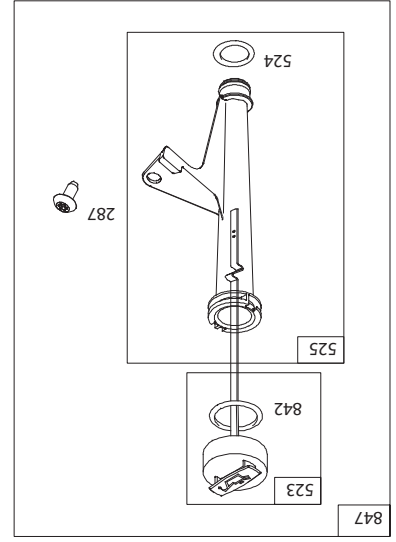
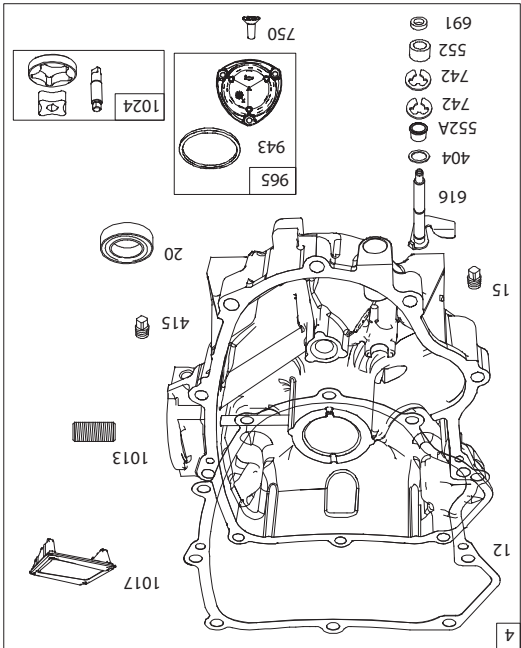
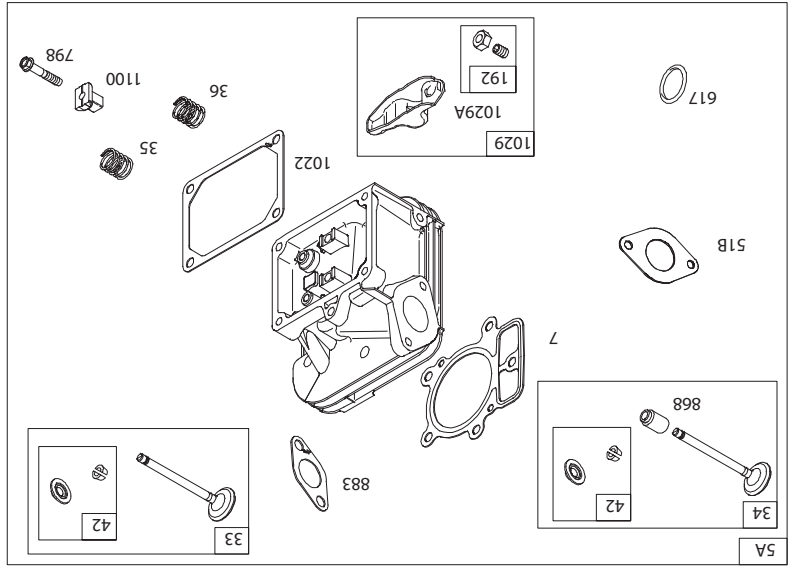
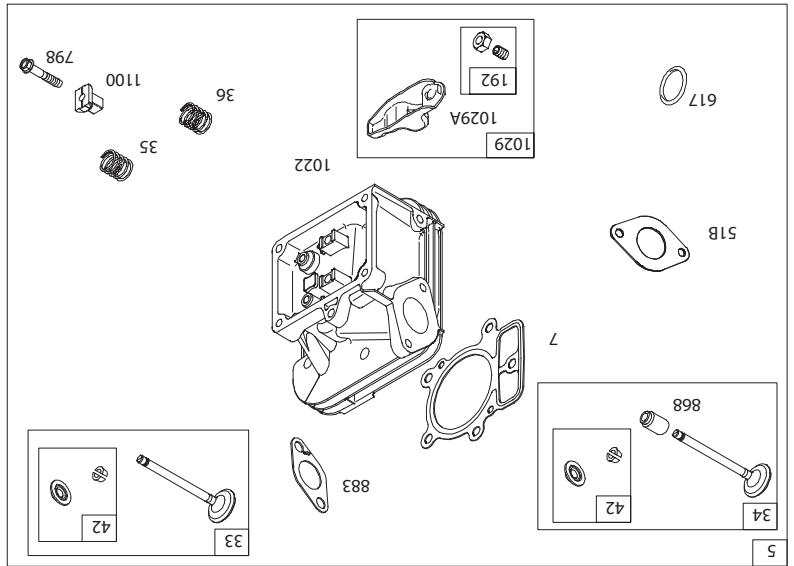
Ensemble de garniture de moteur No. De Réf. 358
Ensemble de garniture de valve No. De Réf. 1095
Jeu de révision de carburateur No. De Réf. 121

| NO. DE PIÈCE | DESCRIPTION | NO. DE PIÈCE | DESCRIPTION |
|--------------|--|--------------|--|
| 1124 | Anneau de Joint-o (renvoi des billes de carburant) | 1124 | Anneau de Joint-o |
| 1123 | Anneau de Joint-o | 1123 | Année de Joint-o |
| 1119 | Vis, Alternateur | 1119 | Vis, Alternateur |
| 1100 | Pivot, Tige à Frein | 1100 | Pivot, Tige à Frein |
| 1095 | Fixée, Garnitures du Soupape | 1095 | Fixée, Garnitures du Soupape |
| 1090 | Arrêt-oi de brosse | 1090 | Arrêt-oi de brosse |
| 1070 | Vis, Ventilateur de Volant du Moteur | 1070 | Vis, Ventilateur de Volant du Moteur |
| 1059 | Jeu, Vis/Rondelle (Alternateur) | 1059 | Jeu, Vis/Rondelle (Alternateur) |
| 1058 | Le manuel de l'opérateur | 1058 | Le manuel de l'opérateur |
| 1051 | Circlip | 1051 | Circlip |
| 1040 | Plat d'équilibre | 1040 | Plat d'équilibre |
| 1036 | Jeu d'étriquette (Fourni par un revendeur autorisés Briggs & Stratton) | 1036 | Jeu d'étriquette (Fourni par un revendeur autorisés Briggs & Stratton) |
| 1029A | Bras de Balancier | 1029A | Bras de Balancier |
| 1027 | Filtre à huile | 1027 | Filtre à huile |
| 1026A | Tige | 1026A | Tige |
| 1026 | Tige à Frein | 1026 | Tige à Frein |
| 1024 | Pompe d'huile | 1024 | Pompe d'huile |
| 1023A | Couverture de Balancier | 1023A | Couverture de Balancier |
| 1023 | Couverture de Balancier | 1023 | Couverture de Balancier |
| 1022 | Garniture, Couverture de Balancier | 1022 | Garniture, Couverture de Balancier |
| 1017 | Écran de pompe d'huile | 1017 | Écran de pompe d'huile |
| 1013 | Filtre de Mamelon-Huile | 1013 | Filtre de Mamelon-Huile |
| 1012 | Arrêt-oi | 1012 | Arrêt-oi |
| 1005 | Ventilateur de Volant du Moteur | 1005 | Ventilateur de Volant du Moteur |
| 987 | sance | 987 | sance |
| 975 | Axe de Joint-Commande de puis- | 975 | Axe de Joint-Commande de puis- |
| 968 | Cuve de Carburateur | 968 | Cuve de Carburateur |
| 968 | Decapant de Couvrir-Air | 968 | Decapant de Couvrir-Air |

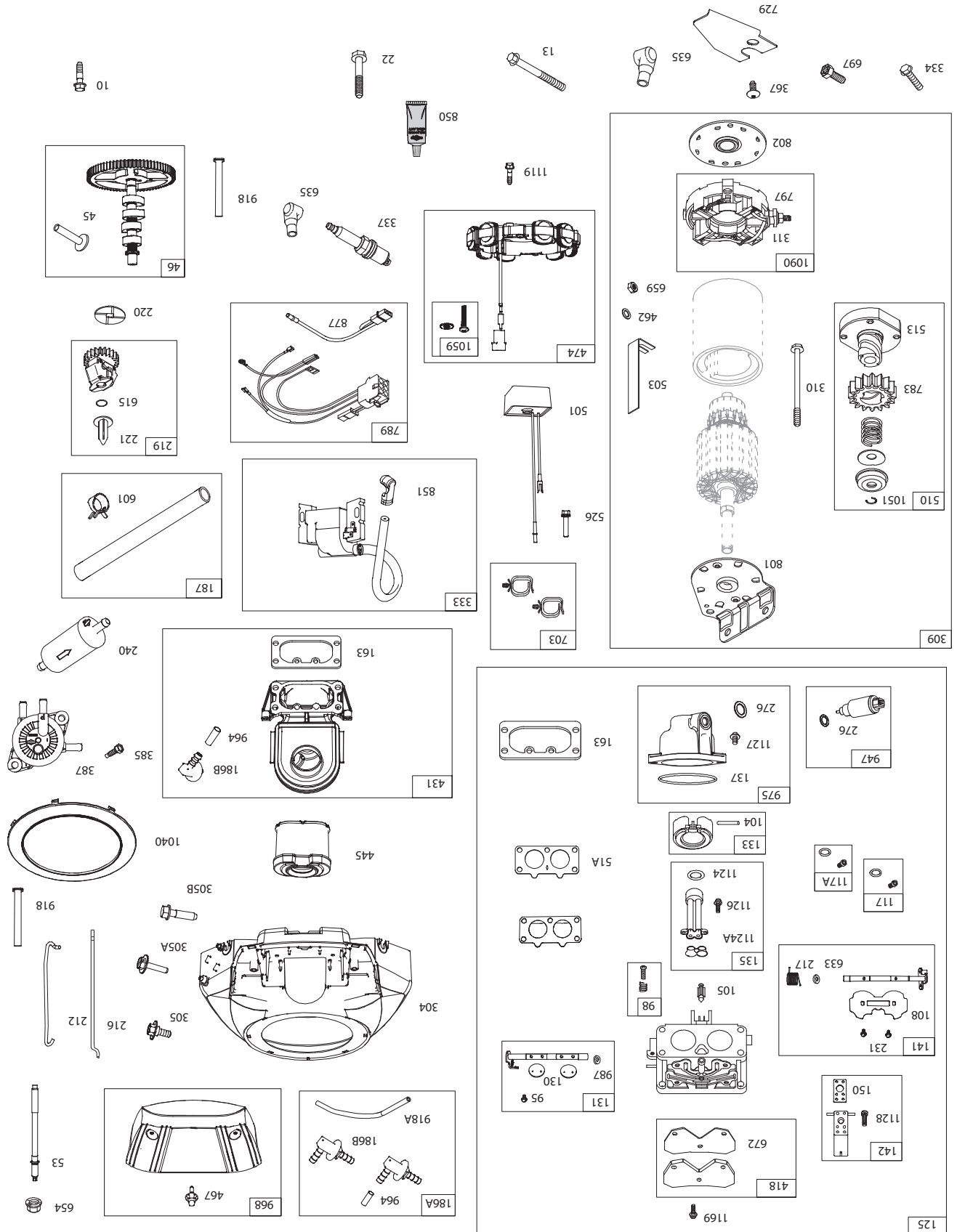
TRACTEUR - - NUMÉRO DE MODÈLE 944.10140
MOTEUR "BRIGGS & STRATTON" - NO. DE MODÈLE 44R677, NO. DE TYPE 0026-G1

| NO. DE DÉ | DESCRIPTION | NO. DE DÉ | DESCRIPTION |
|-----------|---|-----------|--|
| 1 | 591695 Ensemble du Cylindre | 186A | 799158 Tuyaou-Connecteur (Coude de prise) |
| 2 | 797673 Douille de Cylindre (Côté Magneto) | 186B | 845141 Tuyaou-Connecteur |
| 3 | 3910863 Bague d'étanchéité (Côté Magneto) | 187 | 791766 Tuyaou, Essence |
| 4 | 796307 Carter de vidange-Moteur | 188 | 691108 Vis, Support de Control |
| 5 | 796231 Tête de Cylindre | 192 | 690083 Balancier de Réglage |
| 5A | 796232 Tête de Cylindre | 209 | 798821 Ressort, Régulateur |
| 7 | 693997 Garniture de la Tête de Cylindre | 211 | 691019 Ressort-Régi (Aucune Cou- leur) |
| 8 | 792185 Assemblée de reniflard | 212 | 695238 Lien-Commande de puissance |
| 9 | 690937 Garniture de reniflard | 216 | 796229 Lien-Obstruez |
| 10 | 691108 Vis | 217 | 799771 Ressort-Obstruez le retour |
| 11 | 792184 Tube de Reniflard | 219 | 793338 Vitesse, Régulateur |
| 12 | 591911 Garniture du Carter-moteur | 220 | 799772 Rondelle de Vitesse de Régulateur |
| 13 | 793988 Vis de Tête de Cylindre | 221 | 841026 Tasse-Gouverneur |
| 15 | 690946 Bouchon de Vidange d'huile | 222 | 592555 Support du Carburateur |
| 16 | 796237 Vilebrequin | 227 | 798856 Ensemble du Levier de Régulateur |
| 20 | 795387 Bague d'étanchéité (Côté PTO) | 231 | 690718 Vis (Valve de Bobine) |
| 22 | 694966 Vis de Montage de Bac à Sems | 240 | 695666 Filtre-Carburant |
| 23 | 691053 Volant Magneto | 250 | 690957 Arrêtior-Reniflard |
| 24 | 2226988 Clé de Volant | 252 | 794389 Collecteur-Huile |
| 25 | 792023 Ensemble du Piston, Standard | 265 | 691024 Bride d'enveloppe |
| 26 | 792026 Jeu des Segments de Piston, Std. | 267 | 792629 Vis (Bride d'enveloppe) |
| 27 | 792073 Jeu, Segments de Piston, 0,020" OS | 276 | 695410 Rondelle-Cachetage |
| 27 | 690975 Verron de l'axe de Piston | 276A | 690997 Rondelle |
| 28 | 696581 Axe de Piston | 276B | 794271 Rondille |
| 29 | 796209 Ensemble de la Bielle | 287 | 697820 Vis de Tube de Jauge d'huile |
| 32 | 690976 Vis de Bielle | 304 | 591668 Boîtier de Soufflerie |
| 33 | 697576 Soupape d'échappement | 305 | 691005 Vis H, Boîtier de Soufflerie |
| 34 | 792200 Soupape d'admission | 305A | 790690 Vis (ventilateur logeant au coude de prise) |
| 35 | 694865 Ressort de Soupape d'admission | 305B | 691061 Vis |
| 36 | 694865 Ressort de Soupape d'échappement | 306 | 591666 Protecteur de Cylindre |
| 42 | 495986 Guide à Soupape | 306A | 796852 Protecteur de Cylindre |
| 45 | 690977 Poussoir à Soupape | 307 | 691003 Vis |
| 46 | 792555 Engrenage de Came | 307A | 691108 Vis |
| 48 | N/A Bloc Count | 309 | 497595 Démarreur de Rebobinage |
| 50 | 591784 Coude de prise | 310 | 690323 Vis, Moteur de Rebobinage |
| 51 | 795123 Garniture de Coude d'admission | 311 | 497608 Ensemble de brosse |
| 51A | 690950 Garniture de Coude d'admission | 332 | 691059 Ecrou de Volant |
| 51B | 690949 Garniture de Coude d'admission | 333 | 592846 Armature de Magneto |
| 53 | 690951 Bras (Carburateur) | 337 | 792015 Bougie d'allumage |
| 54 | 699816 Vis (Coude de prise) | 338 | 694012 Jeu de la Garniture de Moteur |
| 73 | 494439 Ecran rotatif | 358 | 694012 Vis |
| 74 | 698425 Vis | 367 | 697820 Rondelle |
| 75 | 691056 Vis | 377 | 690979 Clé |
| 95 | 690718 Vis à Sems de Montage de Soupape | 385 | 797409 Vis (Pompe à Essence) |
| 98 | 699721 Jeu de Vitesse à Vide | 387 | 808656 Pompe à Essence |
| 104 | 694918 Axe de Charnière de Flotteur | 404 | 690442 Rondelle de Levier de Régulateur |
| 105 | 797410 Soupape de Aiguille | 405 | 697820 Vis |
| 108 | 699723 Soupape à Starter | 415 | 794903 Prise (couverture/arrêtior) |
| 117 | 792296 Giclette, Standard | 418 | 795912 Plat-Carburateur |
| 117A | 842627 Giclette, Standard | 431 | 591661 Coude de prise |
| 118 | 699457 Giclette, Altitude Haute | 445 | 593240 Cartouche de décapant de Filtre-Air |
| 118A | 699733 Giclette | 447 | 691003 Vis |
| 121 | 797890 Jeu de Carburateur | 462 | 691261 Rondelle (Câble de démarreur) |
| 125 | 796227 Carburateur | 474 | 592830 Alternateur |
| 130 | 690993 Soupape de Commande des Gaz | 474 | 592830 Régulateur |
| 131 | 499805 Jeu-Axe de commande de puissance | 501 | 845907 Régulateur |
| 133 | 699724 Ens. de Flotteur de Carburateur | 503 | 691532 Courroie-Démarreur |
| 135 | 699729 Tube d'essence | 505 | 691029 Ecrou de Levier de Régulateur |
| 137 | 690994 Garniture du Flotteur | 510 | 696541 Conduire-Démarreur |
| 141 | 796228 Jeu-Obstruez l'axe | 513 | 692024 Embrayage-Conduisez |
| 142 | 699726 Bec-Carburateur | 523 | 691036 Jauge de Remplissage d'huile |
| 150 | 841649 Garniture-Bec | 524 | 691032 Joint d'étanchéité, Tube de Remplis- sage d'huile |
| 163 | 691001 Garniture de Filtre à Aire | 525 | 691037 Tube de Remplissage d'huile |
| 186 | 795985 Tuyaou-Connecteur (Drain de Tuyaou- Huile) | 526 | 691108 Vis |

TRACTEUR - - NUMÉRO DE MODÈLE 944.101040
MOTEUR "BRIGGS & STRATTON" - NO. DE MODÈLE 44R677, NO. DE TYPE 0026-G1

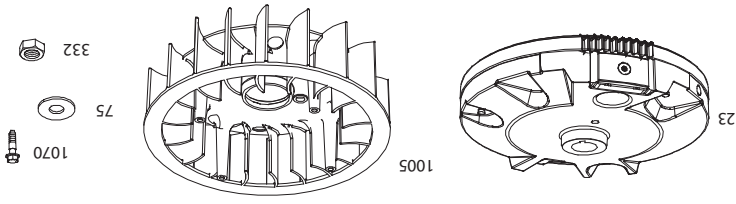
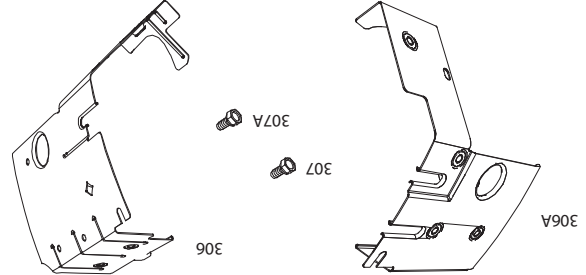
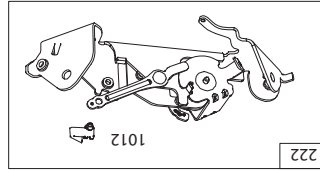
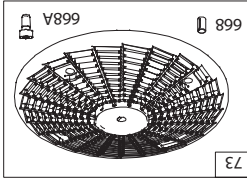
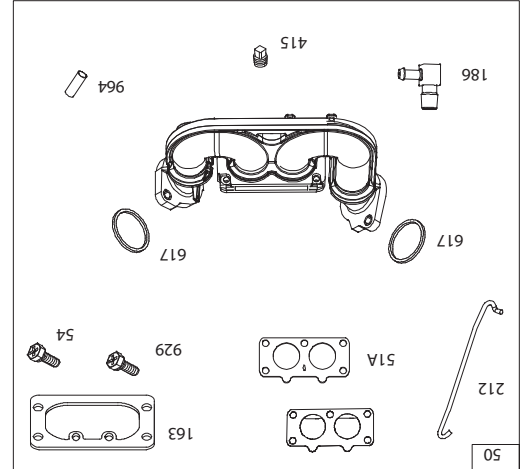
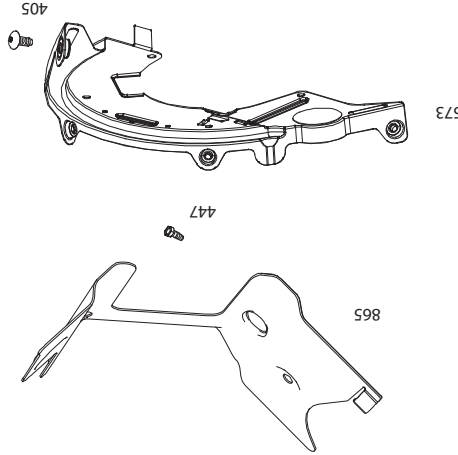
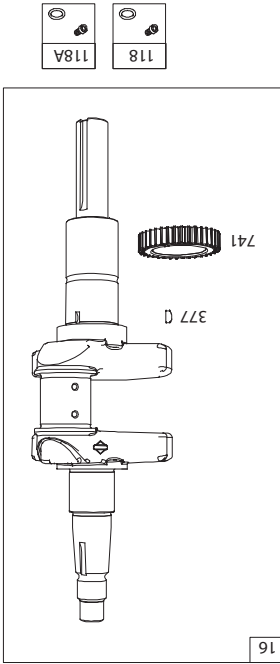
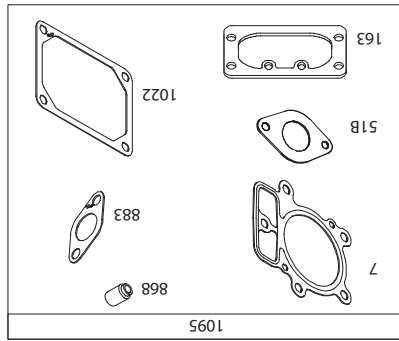
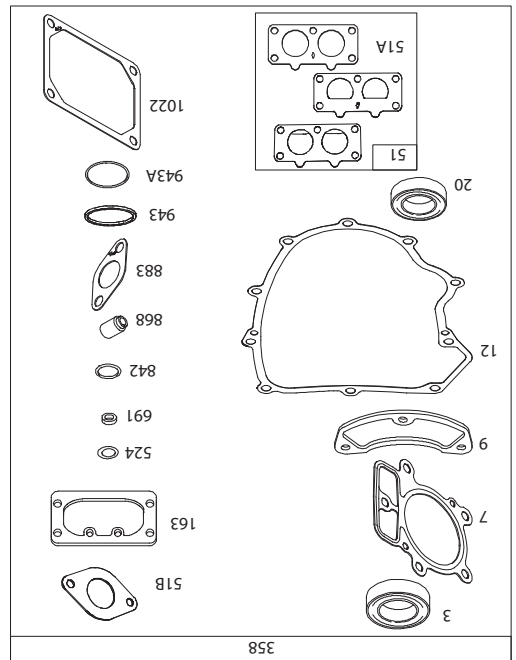
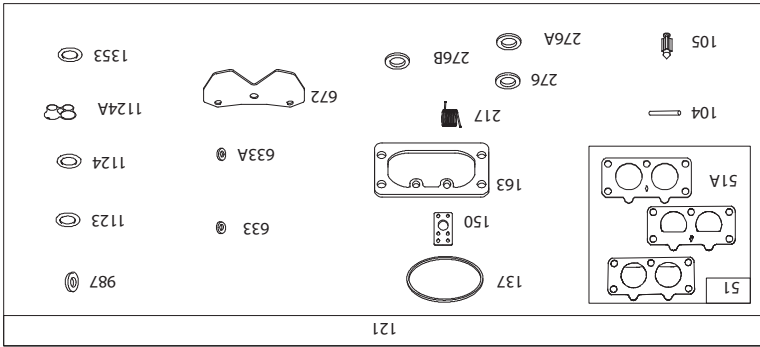


TRACTEUR - - NUMÉRO DE MODÈLE 944.101040
MOTEUR "BRIGGS & STRATTON" - NO. DE MODÈLE 44R677, NO. DE TYPE 0026-G1



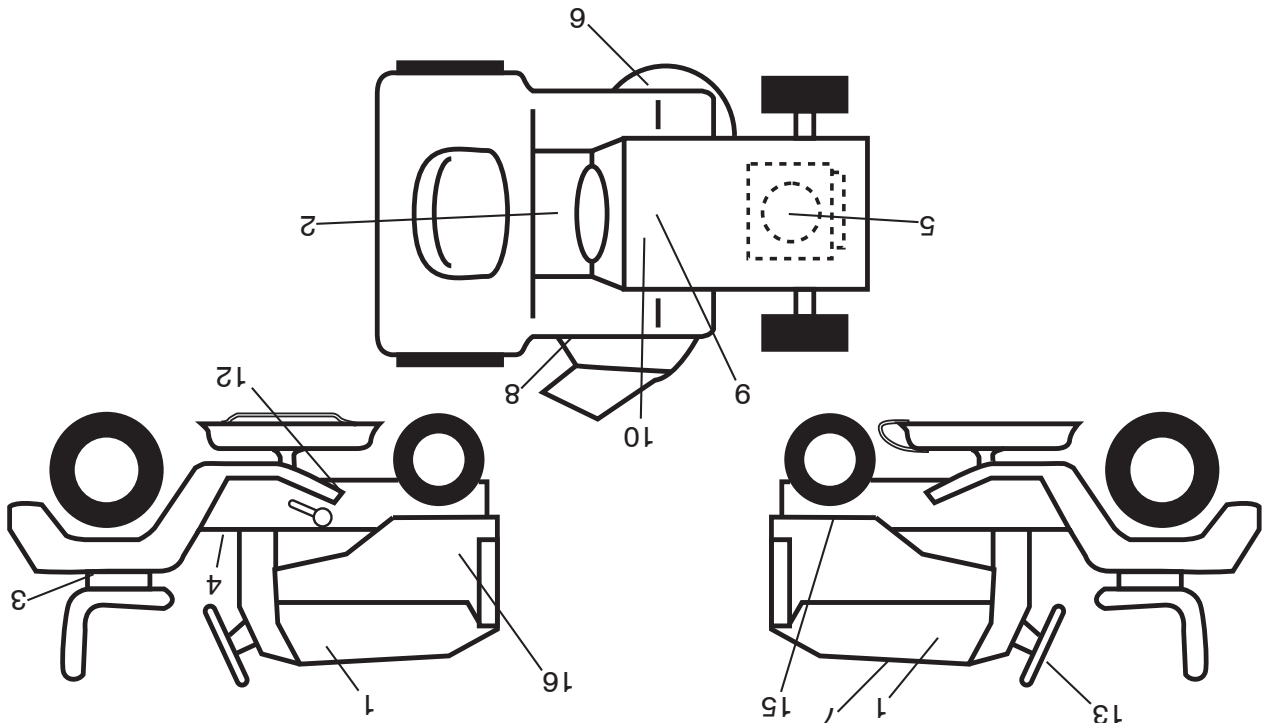
TRACTEUR - - NUMÉRO DE MODÈLE 944.101040
MOTEUR "BRIGGS & STRATTON" - NO. DE MODÈLE 44R677, NO. DE TYPE 0026-G1

1330 1329 1058 1036 48



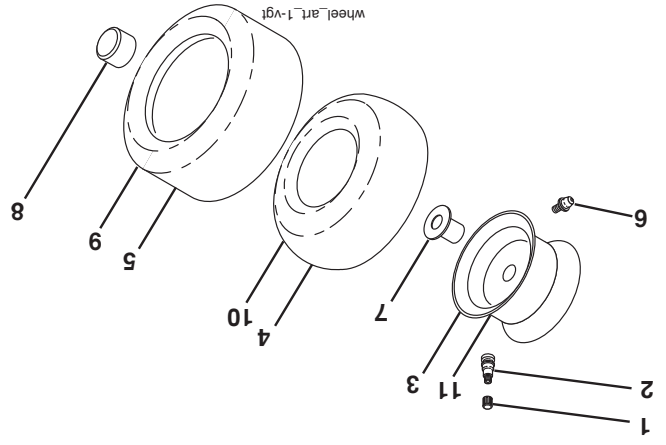
TRACTEUR - - NUMÉRO DE MODÈLE 944.101040

DÉCALCOMANIES



| NO. DÉ | NO. DÉ | DESCRIPTION | NO. DÉ | NO. DÉ | DESCRIPTION |
|--------|--------|----------------------------------|--------|------------|-------------------------------------|
| 1 | 15 | Décalcomanie Du Capot | 15 | 586208001 | Décalcomanie Du Panneau Latéral CD |
| 2 | 16 | Décalcomanie | 16 | 586208002 | Décalcomanie Du Pannau Latéral CG |
| 3 | 3 | Décalcomanie De L'aile | 12 | 421534 | Décalcomanie De La Courroie Tra- |
| 4 | 4 | Décalcomanie D'avertissement | 13 | 581894601 | Décalcomanie Du Volant De Direction |
| 5 | 5 | Décalcomanie Du Moteur | 13 | 581894601 | Décalcomanie |
| 6 | 6 | Décalcomanie De La Courroie Tra- | 13 | 581724801 | Décalcomanie |
| 7 | 7 | Décalcomanie | 13 | 193226X428 | Repose-Pied, CG |
| 8 | 8 | Décalcomanie D'avertissement | 13 | 400981X428 | Repose-Pied, CD |
| 9 | 9 | Décalcomanie De Danger/Poison De | -- | 115816626 | Manuel de L'opérateur |
| 10 | 10 | La Batterie | -- | 115816724 | Manuel De Pièces De Rechange |
| | | Décalcomanie De La Batterie | | | (Anglais/ Français) |
| | | D'avertissement | | | (Anglais/ Français) |

WHEELS AND TIRES

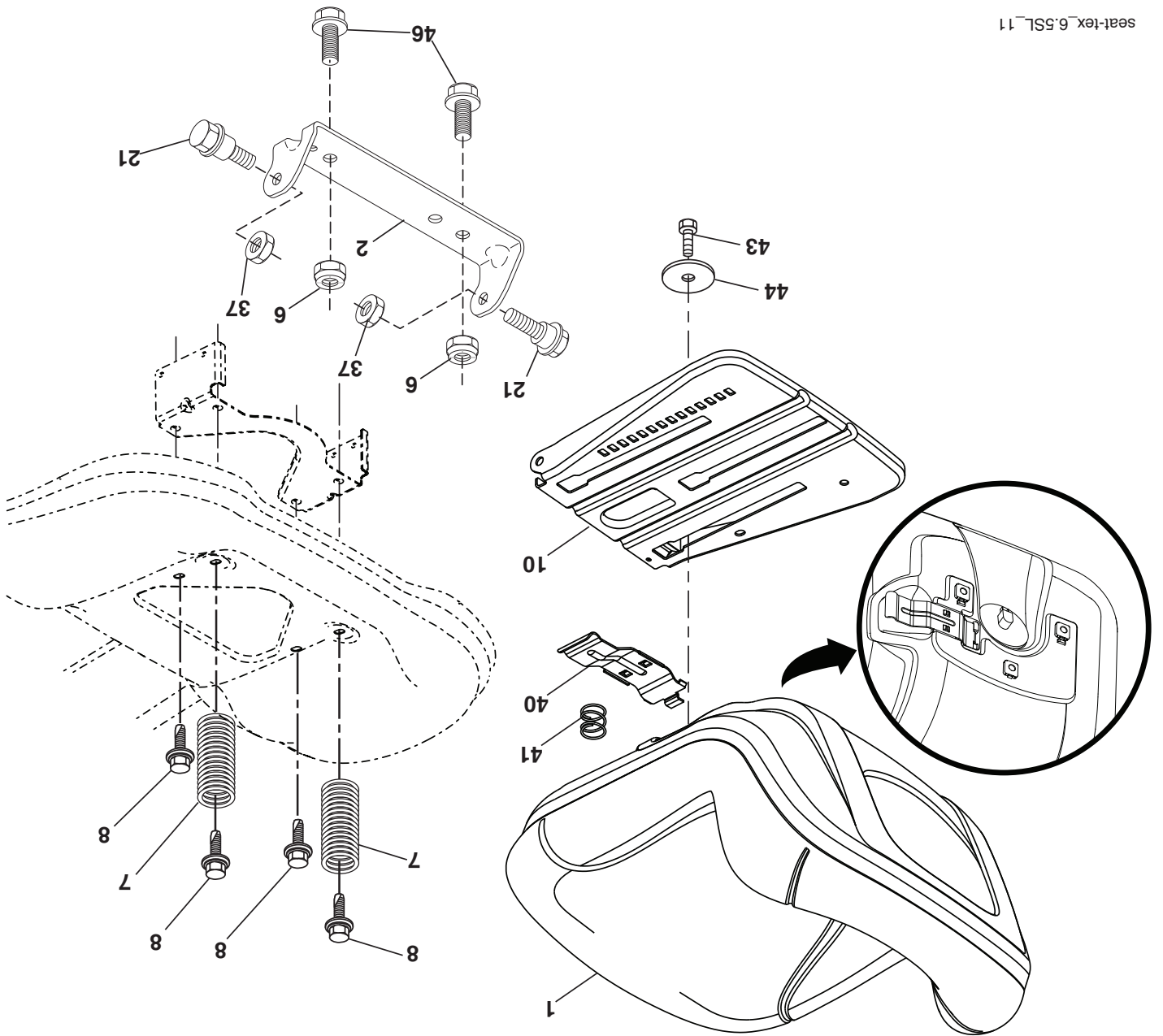


| NO. DÉ | NO. DÉ | DESCRIPTION | NO. DÉ | NO. DÉ | DESCRIPTION |
|--------|--------|---|--------|------------|---|
| 1 | 1 | Chapeau de soupape du pneu | 1 | 59192 | Chapeau de soupape du pneu |
| 2 | 2 | Tuyau du soupape | 2 | 65139 | Tuyau du soupape |
| 3 | 3 | Assemblage de la jante antérieure | 3 | 106732X613 | Assemblage de la jante antérieure |
| 4 | 4 | Chambre à air antérieure | 4 | 59904 | Chambre à air antérieure |
| 5 | 5 | Pneu antérieur 15 x 6.0-0 | 5 | 106222X | Pneu antérieur 15 x 6.0-0 |
| 6 | 6 | Graisneur | 6 | 278H | Graisneur |
| 7 | 7 | Palier à collerette | 7 | 9040H | Palier à collerette |
| 8 | 8 | Chapeau de l'essieu (Roue antérieure seulement) | 8 | 104757X428 | Chapeau de l'essieu (Roue antérieure seulement) |
| 9 | 9 | Pneu arrière 20 x 8-8 | 9 | 138468 | Pneu arrière 20 x 8-8 |
| 10 | 10 | Chambre à air arrière | 10 | 7152J | Chambre à air arrière |
| 11 | 11 | Assemblage de la jante arrière | 11 | 106108X613 | Assemblage de la jante arrière |
| -- | -- | Joint d'étanchéité de pneu (tube de .30L [10 oz. Tube]) | -- | 144334 | Joint d'étanchéité de pneu (tube de .30L [10 oz. Tube]) |

REMARQUE: Toutes les dimensions de composant sont données en pouces E.-U. -- 1 pouce = 25,4 mm

TRACTEUR -- NUMÉRO DE MODÈLE 944.101040

ENSEMBLE DU SIÈGE



seat-tex_6.5SL_11

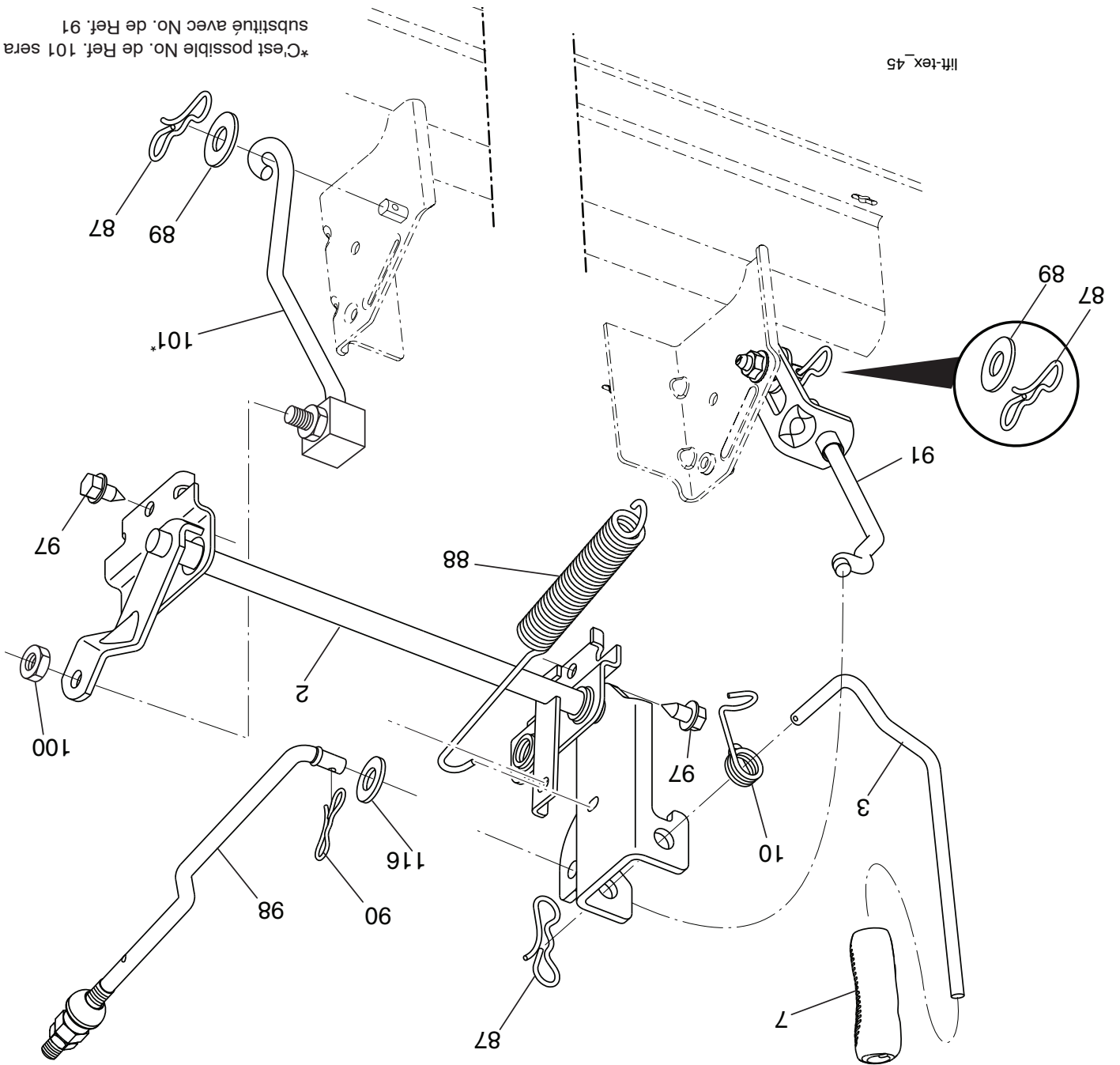
| NO. | DÉ | PIÈCE | DESCRIPTION |
|-----|----|-------|--|
| 1 | | | Siège |
| 2 | | | Support de pivot |
| 6 | | | Contre-écrou avec rondelle insert 3/8-16 |
| 7 | | | Ressort de compression du siège |
| 8 | | | Boulon 5/16-18 unc x 3/4 |
| 10 | | | Panneau du siège |
| 21 | | | Boulon 5/16-18 x 5/8 |
| 37 | | | Contre-écrou 5/16-18 |
| 40 | | | Poignée glissant du siège |

| NO. | DÉ | PIÈCE | DESCRIPTION |
|-----|----|-------|---------------------------------|
| 41 | | | Ressort du loquet |
| 43 | | | Boulon 3/8-16 x 3/4 |
| 44 | | | Rondelle 13/32 x 2 3/8 x 12 Ja. |
| 46 | | | Boulon 3/8-16 x 1,25 |

REMARQUE: Toutes les dimensions de composant sont données en pouces E.-U. -- 1 pouce = 25,4 mm

TRACTEUR -- NUMÉRO DE MODÈLE 944.101040

LEVAGE DE LA TONDEUSE



| NO. | DE | DESCRIPTION |
|-----|----------|------------------------------------|
| 97 | 17000612 | Vis 3/8-16 x 3/4 |
| 98 | 195270 | Tige de levage du suspension avant |
| 100 | 73930600 | Ecroû |
| 101 | 407003 | Tige de levage pas ajustable |
| 116 | 19151516 | Rondelle 15/32 x 15/16 x 16 Ja. |

REMARQUE: Toutes les dimensions de composant sont données en pouces E.-U. -- 1 pouce = 25,4 mm

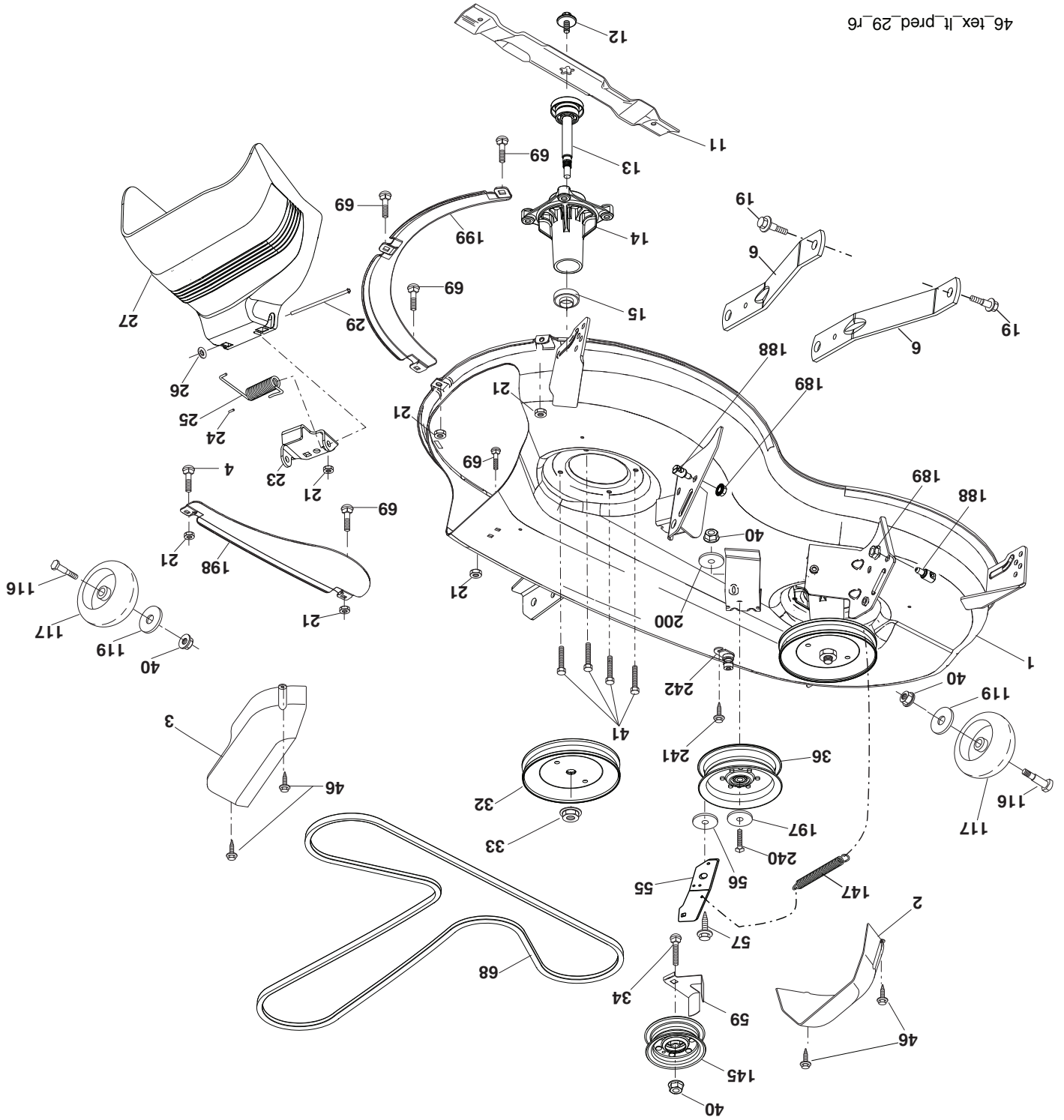
| NO. | DE | DESCRIPTION |
|-----|------------|----------------------------------|
| 2 | 422027 | Ensemble de l'arbre |
| 3 | 426896 | Levier de levage (C.D.) |
| 7 | 445060X428 | Poignée du levier |
| 10 | 196314 | Ressort de torsion |
| 87 | 194209 | Goupille fendue 7/16 |
| 88 | 410710 | Ressort du levage |
| 89 | 19191912 | Rondelle 17/32 x 1-3/16 x 12 Ja. |
| 90 | 194208 | Goupille fendue 5/16 |
| 91 | 195181 | Tige de levage (C.G.) |

TRACTEUR - - NUMÉRO DE MODÈLE 944.101040
CARTER DE TONDEUSE

| NO. DÉ | REF. PIÈCE | DESCRIPTION | NO. DÉ | REF. PIÈCE | DESCRIPTION |
|--------|------------|--------------------------------|--------|------------|---|
| 1 | 589535317 | Boîtier de tondeuse | 116 | 4898H | Boulon |
| 2 | 405507 | Mandrin de couverture C.G | 117 | 188606 | Support de roue |
| 3 | 405506 | Mandrin de couverture C.D. | 119 | 19121414 | Rondelle 3/8-7/8 x 14 Ja. |
| 4 | 74760512 | Boulon 5/16-18 unc x 3/4 | 145 | 193197 | Pouille de tension principal |
| 6 | 195186 | Bras de suspension | 147 | 197251 | Ressort de rappel |
| 11 | 405380 | Paillage de la lame | 188 | 195161 | Attache |
| 12 | 584309301 | Vis | 189 | 73900500 | Écrou frein |
| 13 | 587256501 | Ensemble de l'arbre | 197 | 19131312 | Rondelle 13/32 x 13/16 x 12 Ja.. |
| 14 | 187281 | Carter du mandrin | 198 | 403149 | Cloison de centre avant |
| 15 | 585323901 | Roulement à billes du Mandrin | 199 | 403150 | Cloison avant C.D. |
| 19 | 196539 | Boulon à épaulement | 200 | 413524 | Rondelle 13/32 x 1 x 1/2 x 11 Ja. |
| 21 | 73680500 | Écrou auto-serrant 5/16-18 unc | 240 | 74520636 | Boulon 3/8-16 x 2-1/4 Cat. 5 |
| 23 | 192557 | Support du déflecteur | 241 | 152927 | Vis |
| 24 | 105304X | Chapeau de manchon | 242 | 415598 | Raccord de lavage du plateau de coupe |
| 25 | 197026 | Ressort de torsion | -- | 416405 | Connecter d'accouplement du rapide |
| 26 | 110452X | Frein ecrou | -- | 587253301 | Ensemble du mandrin (Inclut boîtier (No. de réf. 14), ensemble arbre (No. de réf. 13), et palier seulement (No. de réf. 15) - pouille/écrou/rondelle et lame, boulon/rondelle ne pas inclut.) |
| 27 | 405357 | Déflecteur de décharge | -- | 582245701 | La Tondeuse à gazon de remplacement, Complet |
| 29 | 131491 | Tige à charnière | | | |
| 32 | 197473 | Pouille du Mandrin | | | |
| 33 | 400234 | Écrou | | | |
| 34 | 72110612 | Boulon 3/8-16 x 1-1/2 Cat. 5 | | | |
| 36 | 197379 | Pouille de tension, 4.50 RAW | | | |
| 40 | 73900600 | Écrou frein 3/8-16 unc | | | |
| 41 | 584953901 | Boulon 313-18 x 1.19 | | | |
| 46 | 137729 | Vis 1/4-20 x 5/8 | | | |
| 55 | 197249 | Bras du gallet-tendeur | | | |
| 56 | 199092 | Entretoise | | | |
| 57 | 1700616 | Vis 3/8-16 x 1 | | | |
| 59 | 141043 | Protecteur | | | |
| 68 | 405143 | Courroie trapézoïdale | | | |
| 69 | 72140505 | Boulon 5/16-18 x 5/8 | | | |

REMARQUE: Toutes les dimensions de composant sont données en pouces E.-U. -- 1 pouce = 25,4 mm.

TRACTEUR - - NUMÉRO DE MODÈLE 944.101040
CARTER DE TONDEUSE



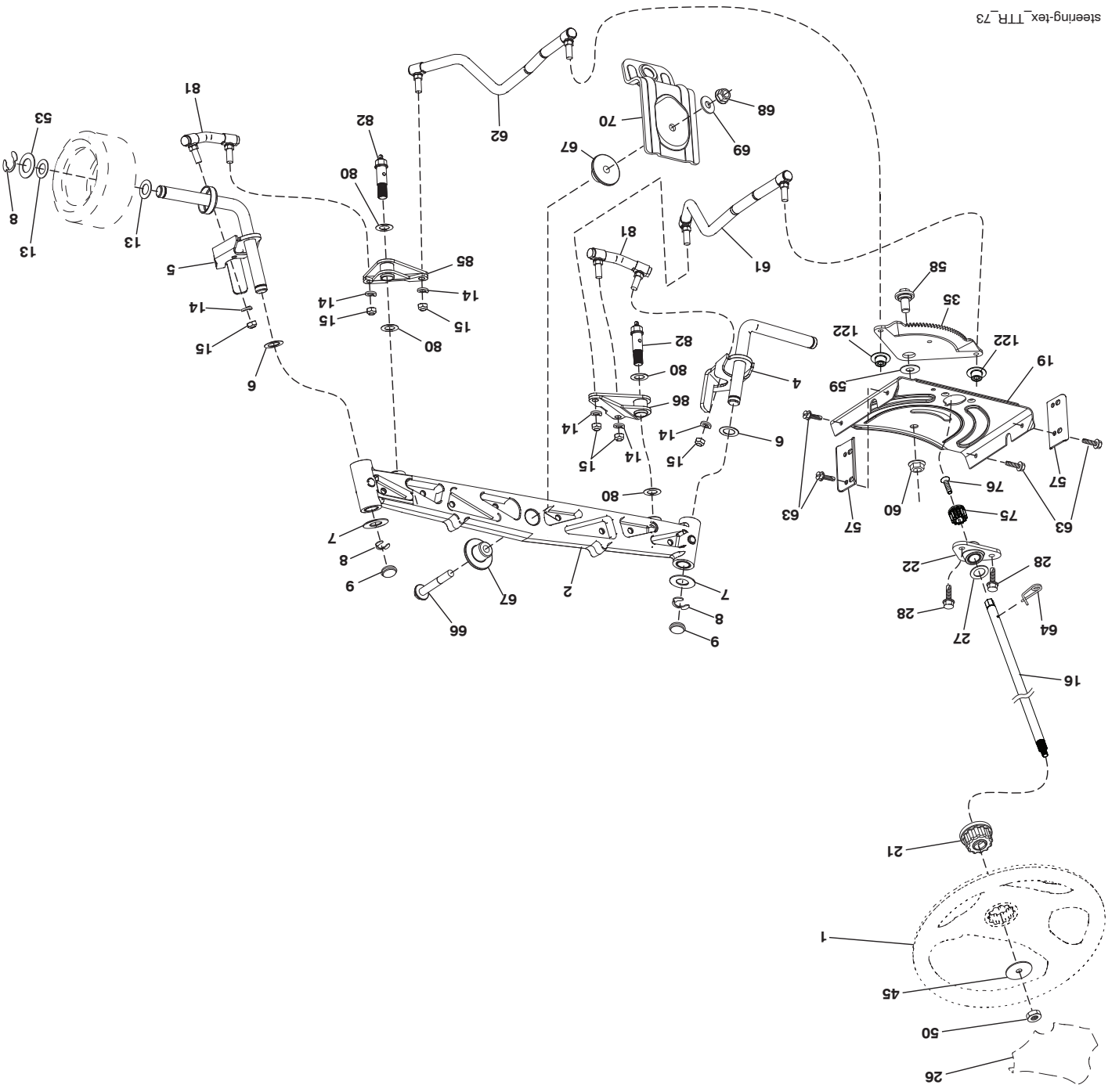
TRACTEUR - - NUMÉRO DE MODÈLE 944.101040

ENSEMBLE DE LA DIRECTION

| NO. DE RÉF. PIÈCE | DESCRIPTION |
|-------------------|---|
| 1 | Volant de direction 414803X428 |
| 2 | Assemblage d'essieu 436870 |
| 4 | Fusée d'arbre (C.G.) 436873 |
| 5 | Fusée d'arbre (C.D.) 436874 |
| 6 | Pallier 6266H |
| 7 | Rondelle 25/32 x 1-5/8 x 16 Ja. 121748X |
| 8 | Anneau de retenue #T5304-75 12000029 |
| 9 | Chapeau de fusée d'arbre 184946X667 |
| 13 | Rondelle 25/32 x 1-1/4 x 16 Ja. 121749X |
| 14 | Rondelle 3/8 10040600 |
| 15 | Ecrou 3/8-24 unf 73540600 |
| 16 | Arbre de direction 587016002 |
| 19 | Plaque de direction 194729 |
| 21 | Adaptateur du volant de direction 586840201 |
| 22 | Douille 585029901 |
| 26 | Chapeau du volant de direction 414852X428 |
| 27 | Rondelle 21/32 x 1 x 16 Ja. 19211616 |
| 28 | Vis 3/8-16 x 3/4 17000612 |
| 35 | Plaque de mécanisme denté 440770 |
| 45 | Rondelle 3/8 ID 2-3/8OD 12 Ja. 587016401 |
| 50 | Ecrou 3/8-16 unc 739000600 |
| 53 | Rondelle :793 x 1.637 x .060 188967 |
| 57 | Support 407465 |
| 58 | Boulon 194747 |
| 59 | Rondelle 194748 |
| 60 | Contre-écrou collerette 5/8-11 73971000 |
| 61 | Tige de direction (C.G.) 436884 |
| 62 | Tige de direction (C.D.) 436885 |
| 63 | Vis 5/16-18 x 3/4 17000512 |
| 64 | Collier de retenue 199849 |
| 66 | Boulon 7/16-14 x 3 71020748 |
| 67 | Coussinet 194737 |
| 68 | Contre-écrou collerette 7/16-14 Cat. 5 73900700 |
| 69 | Rondelle 1.5 x .505 x .118 199162 |
| 70 | Support du suspension de tondeuse 585338801 |
| 75 | Pignon 580683701 |
| 76 | Vis 580683601 |
| 80 | Rondelle 1370H |
| 81 | Lien (C.D.) 436887 |
| 82 | Boulon de pivot 442147 |
| 85 | Pivot (C.D.) 441873 |
| 86 | Pivot (C.G.) 441872 |
| 122 | Chapeau 444962 |

REMARQUE: Toutes les dimensions de composant sont données en pouces E.-U. -- 1 pouce = 25,4 mm

TRACTEUR - - NUMÉRO DE MODÈLE 944.101040
ENSEMBLE DE LA DIRECTION



steering-tex_TTR_73

TRACTEUR - - NUMÉRO DE MODÈLE 944.101040

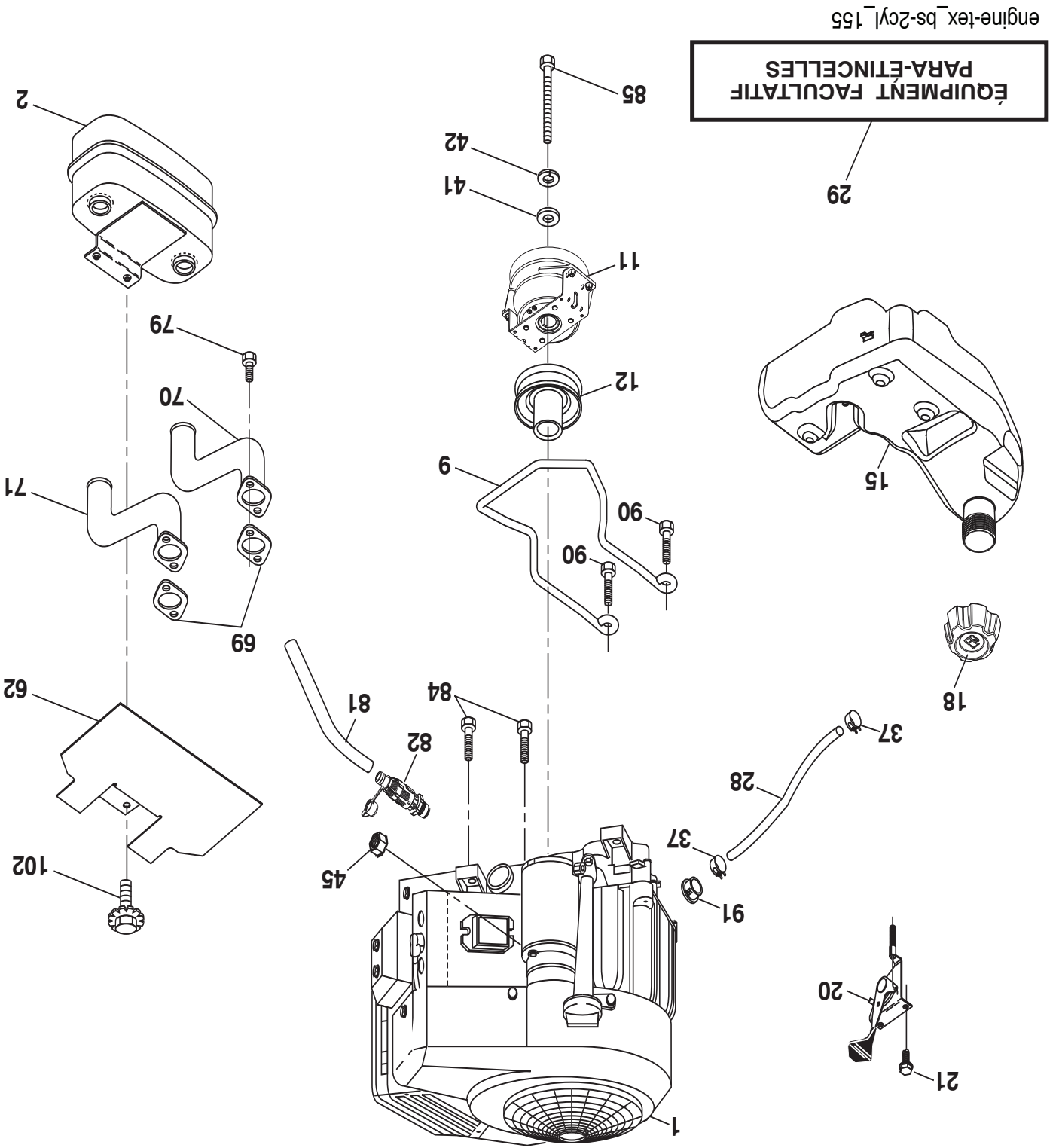
MOTEUR

| NO. | DE | REF. | DESCRIPTION |
|-----|-------|------------|--|
| 1 | - - - | - - - | Moteur B&S No. de modèle 44R677-0026-G1 (586607601) (Commandez les pièces du fabricant du moteur.) |
| 2 | | 44596 | Silencieux |
| 9 | | 501832601 | Garde du couvercle du moteur |
| 11 | | 587241601 | Embrayage Electrique |
| 12 | | 405097 | Puile du moteur |
| 15 | | 532438025 | Réservoir d'essence |
| 18 | | 585124802 | Chapeau d'essence |
| 20 | | 421473X428 | Commande des gaz et l'étrangleur |
| 21 | | 416358 | Vis 10 x .750 |
| 28 | | 401135 | Conduite d'essence |
| 29 | | 137180 | Jeu de pare - étincelles |
| 37 | | 123487X | Collier de serrage pour tuyaux flexibles |
| 41 | | 126197X | Rondelle 1-1/2 OD x 15/32 ID x .250 |
| 42 | | 10040700 | Rondelle 7/16 |
| 45 | | 73510400 | Ecroû 1/4-20 unc |
| 62 | | 434017 | Pare-chaleur du silencieux |
| 69 | | 165391 | Garniture |
| 70 | | 581881101 | Tube d'échappement (C.G.) |
| 71 | | 581881001 | Tube d'échappement (C.D.) |
| 79 | | 183906 | Vis 5/16-18 x 1 |
| 81 | | 148456 | Tuyau |
| 82 | | 428287 | Soupape |
| 84 | | 17060620 | Vis 3/8-16 x 1-1/4 |
| 85 | | 179953 | Boulon 7/16-20 x 3.75 Gr |
| 90 | | 17000616 | Vis 3/8-16 x 1.0 |
| 91 | | 187495 | Douille |
| 102 | | 17000512 | Vis 5/16-18 x 3/4 |

REMARQUE: Toutes les dimensions de composant sont données en pouce d'E.-U. - - 1 pouce = 25,4 mm.

Informations concernant la puissance théorique du moteur

La puissance brute pour chaque Modèle de moteur à essence est indiquée conformément au code J1940 (procédure de calcul de la puissance et du couple des petits moteurs) de la SAE (Society of Automotive Engineers) et les performances théoriques ont été obtenues et corrigées selon SAE J1995 (révision 2002-05). Les valeurs de couple sont calculées sur la base de 3060tr/min et celles de puissance sur la base de 3600tr/min. La puissance brute réelle du moteur peut être plus faible notamment à cause des conditions de fonctionnement et des variations d'un moteur à l'autre. Compte tenu de la grande variété de machines sur lesquelles nos moteurs sont utilisés et du nombre de problèmes environnementaux applicables au fonctionnement des équipements, il se peut que le moteur à essence ne développe pas sa puissance théorique une fois qu'il est monté sur une machine particulière (puissance nette ou réelle « sur site»). Cette différence s'explique par un grand nombre de facteurs, tels que (liste non limitative): accessoires (filtre à air, échappement, admission, refroidissement, carburateur, pompe à essence, etc.), limites d'utilisation, conditions ambiantes d'utilisation (température, humidité, altitude) et variations d'un moteur à l'autre. Pour des raisons de fabrication et de capacité limitées, Briggs & Stratton est susceptible de remplacer ce Modèle par un moteur plus puissant.



TRACTEUR - - NUMÉRO DE MODÈLE 944.101040

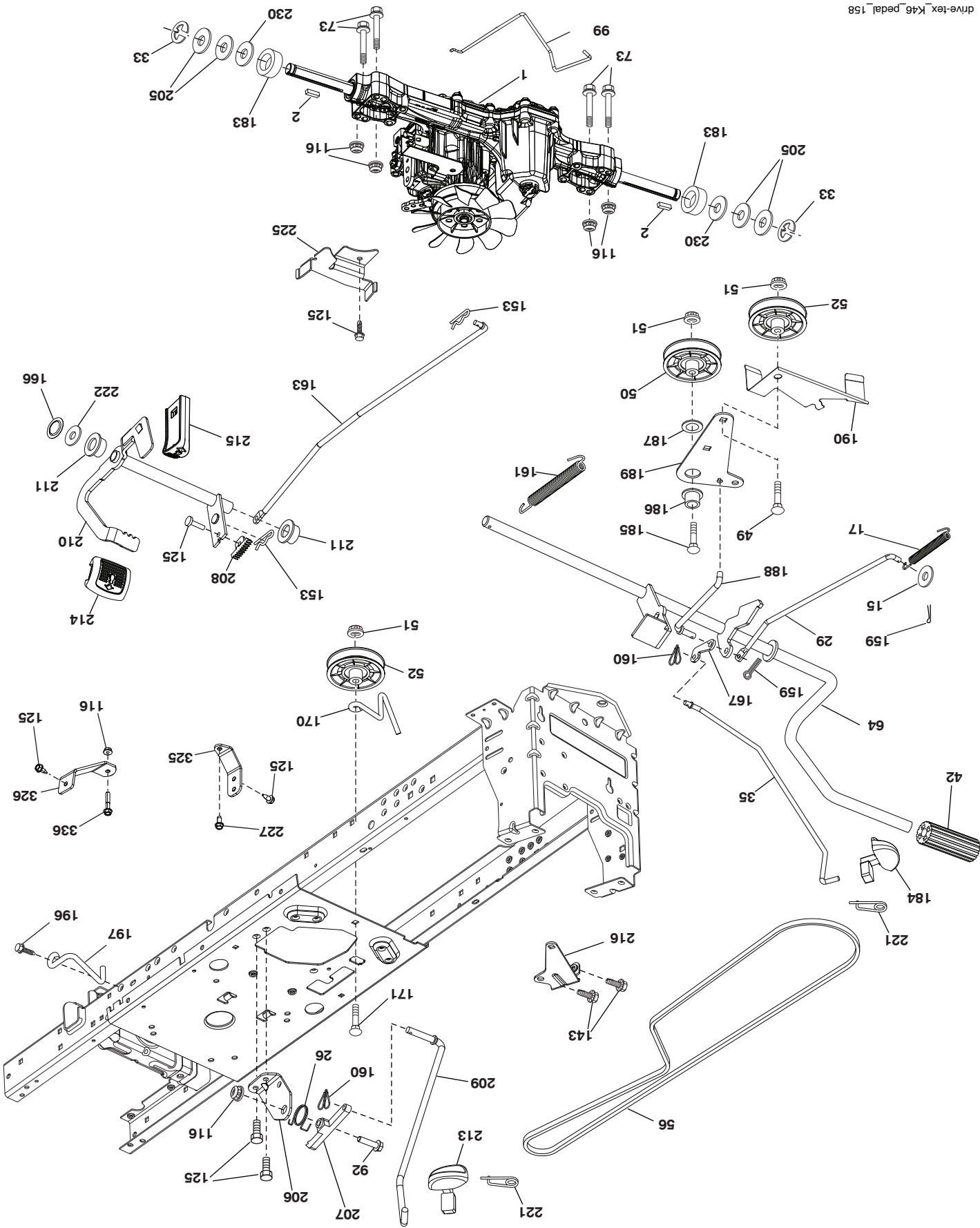
ENTRAÎNEMENT

| NO. | DE | RÉF. | DESCRIPTION | NO. | DE | RÉF. | DESCRIPTION |
|-----|----|------|---|-----|----|------------|-----------------------------------|
| 1 | | | | 184 | | 196439X428 | Poignée de frein à main |
| 2 | | | Cle (Voyez Les Détails De Transmission.) | 185 | | 72110622 | Boulon |
| 15 | | | Rondelle 13/32 x 13/16 x 16 Ja. | 186 | | 194321 | Arrêtoir d'entretoise |
| 17 | | | Ressort | 188 | | 5822217001 | Raccord d'embrayage longue |
| 26 | | | Ressort | 189 | | 194317 | Commande au sol de balancier |
| 29 | | | Tige du frein | 190 | | 194318 | Garde |
| 33 | | | Bague en E | 196 | | 17000616 | Vis 3/8-16 x 1 |
| 35 | | | Tige du frein de stationnement | 197 | | 585658601 | Anti-rotation d'embrayage de lien |
| 42 | | | Couverture de la pédale | 205 | | 121748X | Rondelle |
| 49 | | | Boulon | 206 | | 448596 | Support |
| 50 | | | Poulie du galet-tendeur | 207 | | 587031401 | Commandez le verrou de croisière |
| 51 | | | Ecrou 3/8-16 | 208 | | 197869 | Boulon-Commandez la croisière |
| 52 | | | Galet-tendeur | 209 | | 199592 | Commandez la croisière Rod |
| 56 | | | Courroie trapézoïdale | 210 | | 400980 | Ensemble de pédale |
| 64 | | | Axe | 211 | | 120183X | Roulement en nylon |
| 73 | | | Boulon 5/16-18 x 2-1/2 cat. 5 | 213 | | 196441X428 | Commandez le bouton de croisière |
| 92 | | | Boulon 5/16-18 unc x 1.25 | 214 | | 421263 | Pédale vers l'avant |
| 99 | | | Tige | 215 | | 197301X428 | Pédale renversée |
| 116 | | | Ecrou 5/16-18 | 216 | | 196131 | Poulie du galet-tendeur |
| 125 | | | Vis 5/16-18 x 3/4 | 221 | | 403187 | Ressort |
| 143 | | | Vis 5/16-18 x 1/2 | 222 | | 79212010 | Rondelle |
| 153 | | | Ressort | 225 | | 403319 | Garde |
| 159 | | | Tige 1/8 x 3/4 | 227 | | 17490512 | Vis 5/16-18 x 3/4 |
| 160 | | | Goupille fendue | 230 | | 188967 | Rondelle |
| 161 | | | Ressort | 325 | | 585668502 | Support |
| 163 | | | Tige de commande de pédale | 326 | | 585670802 | Support |
| 166 | | | Ecrou | 336 | | 587259601 | Boulon |
| 167 | | | Frein à main | | | | |
| 170 | | | Garde | | | | |
| 171 | | | Boulon 3/8-16 unc | | | | |
| 183 | | | Axe | | | | |

REMARQUE: Toutes les dimensions de composant sont données en pouces E.-U. --1 pouce = 25,4 mm

ENTRAÎNEMENT

TRACTEUR - - NUMÉRO DE MODÈLE 944.101040



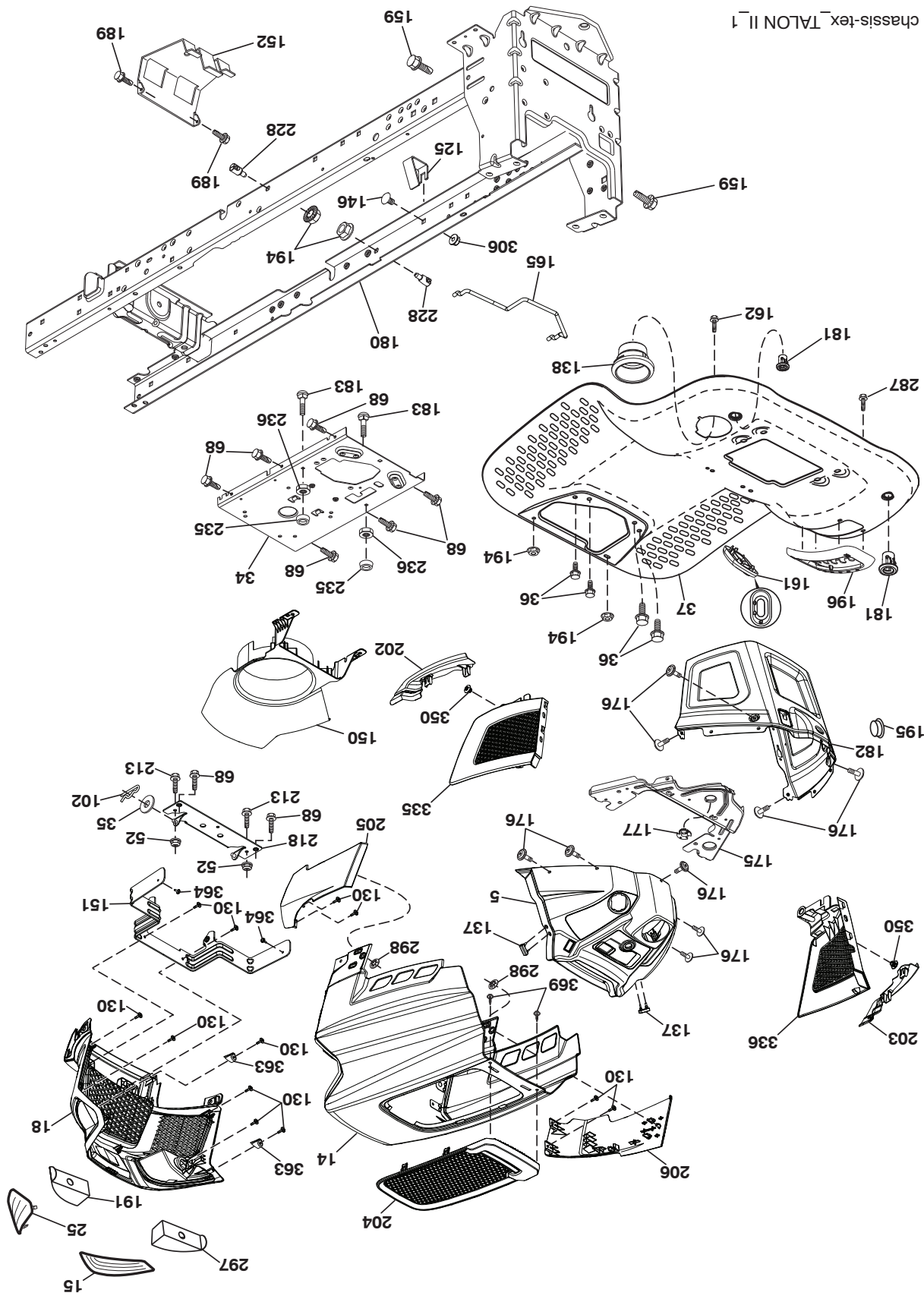
TRACTEUR - - NUMÉRO DE MODÈLE 944.101040

CHÂSSIS/ENCEINTES

| NO. | DE | REF. | DESCRIPTION |
|-----|-------------|------|-----------------------------------|
| 5 | 580485906 | | Tableau De Bord |
| 14 | 580354407 | | Capot |
| 15 | 580485601 | | Lentille CG |
| 18 | 580485302 | | Calandre |
| 25 | 580484501 | | Lentille CD |
| 34 | 580910801 | | Plaque de moteur |
| 35 | 191111116 | | Rondelle 11/32 x 11/16 x 16 Ja. |
| 36 | 17060512 | | Vis 5/16-18 x 3/4 |
| 37 | 414878X428 | | Aile |
| 52 | 73680500 | | Ecrou 5/16-18 |
| 58 | 17490508 | | Vis 5/16-18 x 1/2 |
| 102 | 4497H | | Ressort De Retenue " |
| 125 | 581684801 | | Pince |
| 130 | 416358 | | Vis # 10 x .750 |
| 137 | 407590 | | Pare-Chocs |
| 138 | 193224X428 | | Porte-gobele |
| 146 | 581857901 | | Boulon |
| 150 | 585238002 | | Canalisation |
| 151 | 580663302 | | Support |
| 152 | 199535 | | Deflecteur |
| 159 | 17000612 | | Vis 3/8-16 x 3/4 |
| 161 | 193229X428 | | Fenêtre De Carburant |
| 162 | 142432 | | Vis 1/4 x 1/2 |
| 165 | 196826 | | Support |
| 175 | 196304 | | Pièce D'entretènement |
| 176 | 400776 | | Vis 10-24 x 5/8 |
| 177 | 195228 | | Coussinet |
| 180 | 195457 | | Chassis |
| 181 | 193102X428 | | Coussinet |
| 182 | 406859 | | Tableau de bord inférieur |
| 183 | 74520520 | | Boulon 5/16-18 x 1-1/4 |
| 189 | 17000512 | | Vis 5/16-18 x 3/4 |
| 191 | 580485101 | | Phare/Lentille CD |
| 194 | 73900500 | | Ecrou 5/16-18 |
| 195 | 4015556X428 | | Bouchon |
| 196 | 431658 | | Ensemble de console |
| 202 | 580485002 | | Couvercle garniture inférieure CD |
| 203 | 580484802 | | Couvercle garniture inférieure CG |
| 204 | 580484701 | | Ventille |
| 205 | 580843707 | | Ensemble d'angle CD |
| 206 | 580843807 | | Ensemble d'angle CG |
| 213 | 74760512 | | Boulon 5/16-18 unc x 3/4 |
| 218 | 580897301 | | Ensemble du pivot du capot |
| 228 | 195161 | | Attache A Tenon |
| 235 | 406129 | | Entretoise De L'aile |
| 236 | 73930500 | | Ecrou 5/16-18 |
| 287 | 17600406 | | Vis 1/4-20 x 3/8 |
| 297 | 580484901 | | Phare/Lentille CG |
| 298 | 580851001 | | Ecrou |
| 306 | 73900600 | | Ecrou |
| 335 | 580484602 | | Couvercle latéral CD |
| 336 | 580484402 | | Couvercle latéral CG |
| 350 | 445143 | | Pince |
| 363 | 580724501 | | Chapeau |
| 364 | 17060408 | | Vis |
| 369 | 421756 | | Vis #10 x 0.500 |

REMARQUE: Toutes les dimensions de composant sont données en pouces E.-U. -- 1 pouce = 25,4 mm

TRACTEUR - - NUMÉRO DE MODÈLE 944.101040
CHÂSSIS/ENCEINTES



chassis-tex_TALON II 1

TRACTEUR - - NUMÉRO DE MODÈLE 944.101040

ELECTRIQUE

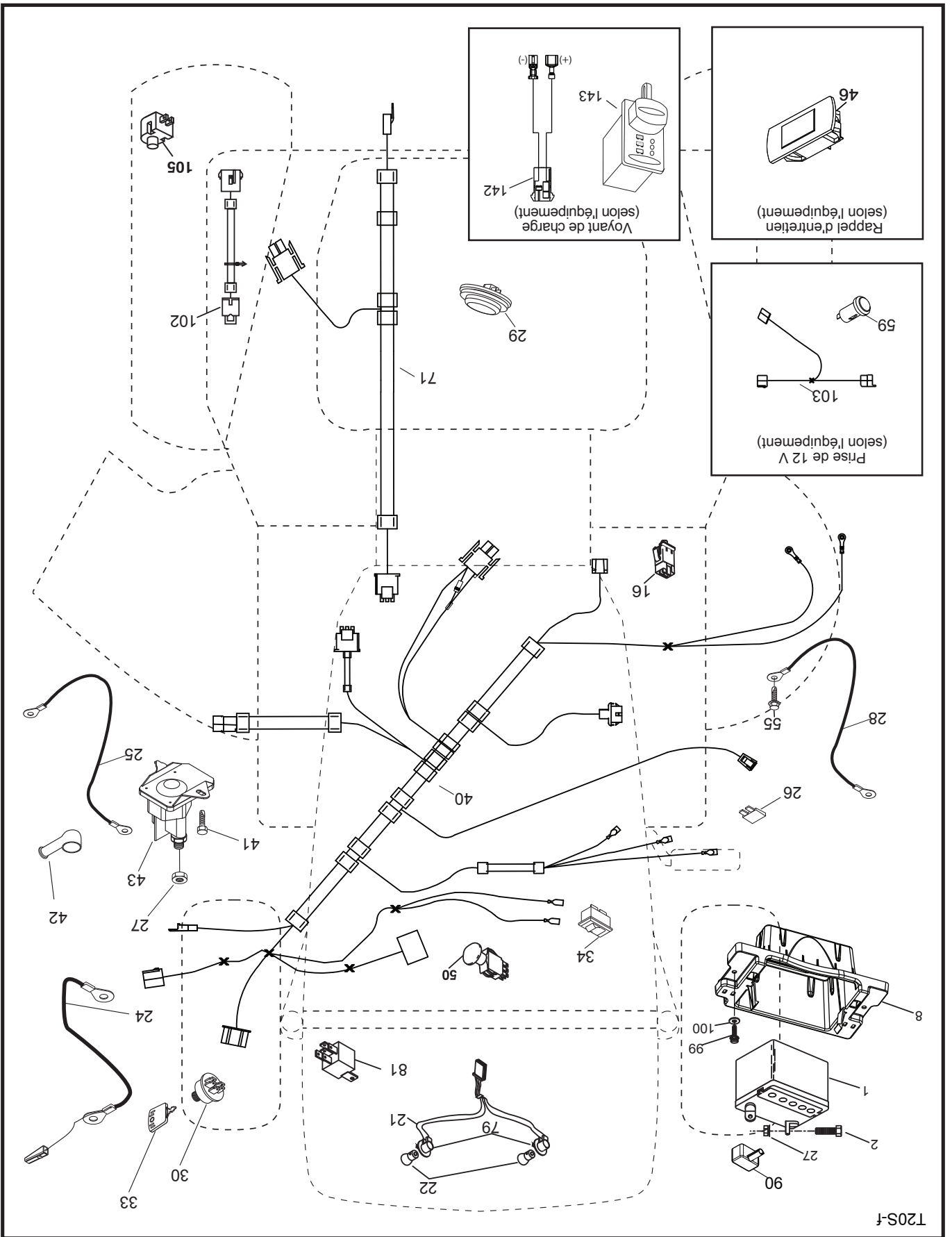
| NO. | DÉ | REF. | DESCRIPTION |
|-----|----|-----------|---|
| NO. | DE | PIECE | |
| 1 | | 163465 | Batterie |
| 2 | | 74760412 | Boulon 1/4-20 unc x 3/4 |
| 8 | | 587205101 | Bac de batterie |
| 16 | | 176138 | Interrupteur |
| 21 | | 400252 | Harnais de prise de courant d'ampoule 4152J |
| 22 | | 4152J | Ampoule |
| 24 | | 585555601 | Câble de Batterie 8" |
| 25 | | 585555501 | Cable 6 Ja. 17.5" |
| 26 | | 175158 | Fusible |
| 27 | | 73510400 | Ecroû 1/4-20 unc |
| 28 | | 416588 | Câble |
| 29 | | 401545 | Interrupteur de siège |
| 30 | | 193350 | Interrupteur d'allumage |
| 33 | | 411934 | Clé/Chaîne |
| 34 | | 110712X | Interrupteur des phares |
| 40 | | 501133201 | Harnais |
| 41 | | 17720408 | Vis 1/4-20 x 1/2 |
| 42 | | 131563 | Couvercle de borne |
| 43 | | 192507 | Solénoïde |
| 46 | | 586161801 | Compteur Horaire |
| 50 | | 582107602 | Interrupteur PTO |
| 55 | | 17060512 | Vis 5/16-18 x 3/4 |
| 71 | | 194276 | Harnais d'allumage |
| 79 | | 175242 | Prise de courant d'ampoule |
| 81 | | 409615 | Harnais |
| 90 | | 435395 | Couvercle du borne de batterie |
| 99 | | 17670412 | Vis 1/4-20 x 3/4 |
| 100 | | 19091416 | Rondelle 9/32 x 7/8 x 16 Ja. |
| 102 | | 404454 | Harnais de tresse |
| 105 | | 407568 | Inverseur |

REMARQUE: Toutes les dimensions de composant sont données en pouces E.-U. --1 pouce = 25,4 mm

TRACTEUR - - NUMÉRO DE MODÈLE 944.101040

ELECTRIQUE

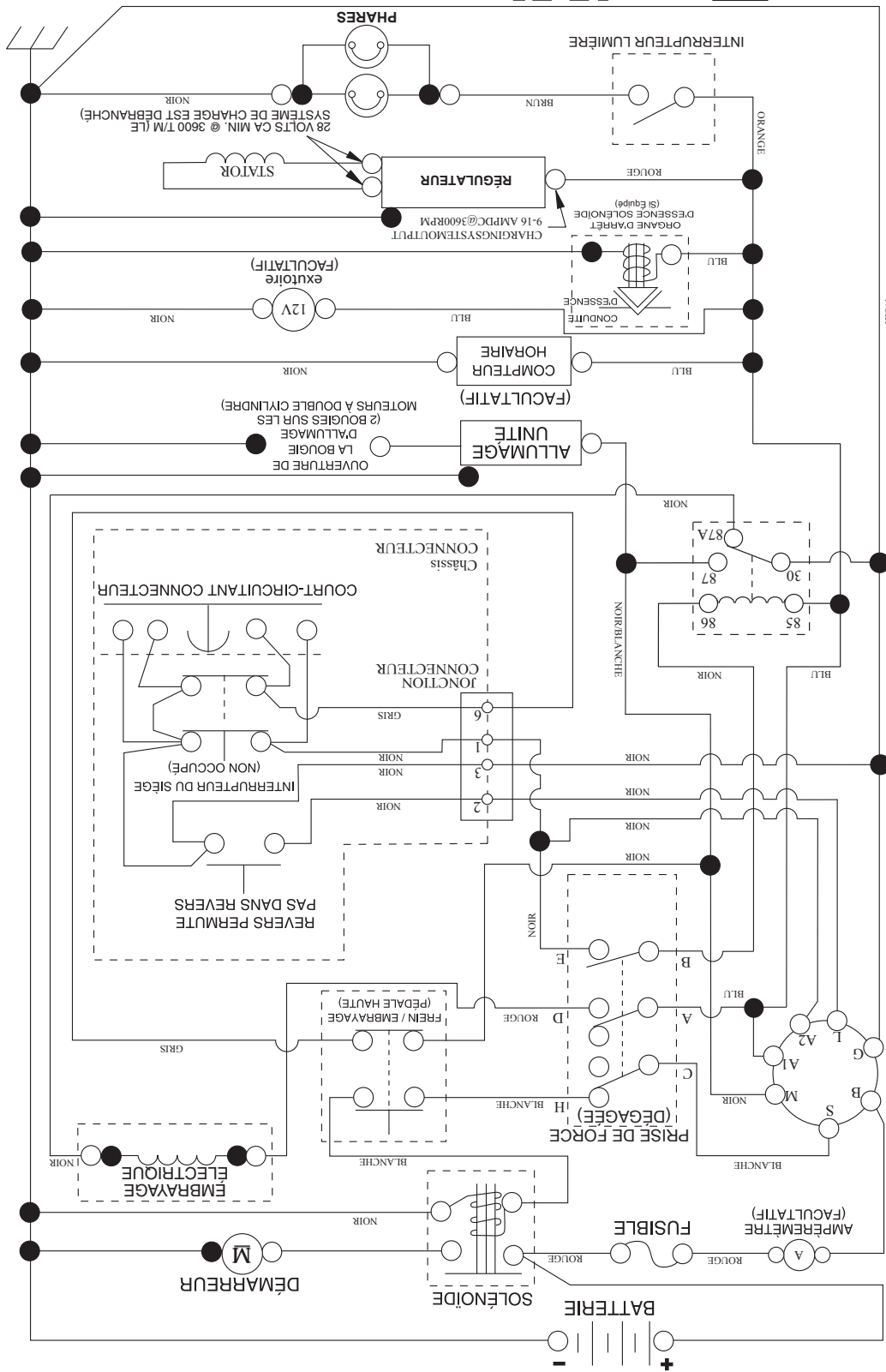
T20S-f



TRACTEUR - - NUMÉRO DE MODÈLE 944.101040

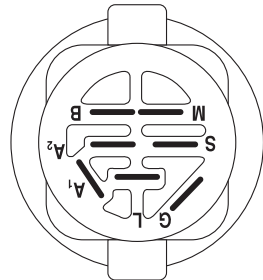
SCHEMA

SCH13-F

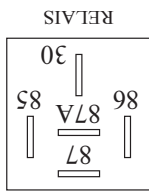
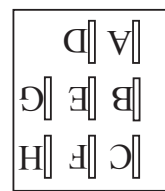


CONTACTEUR D'ALLUMAGE

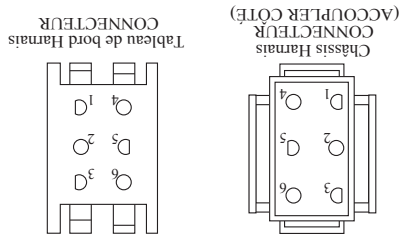
| POSITION | CIRCUIT "FAITS" | ARRÊT | M + G + A1 | MARCHE/ ALLUMAGE | B + A1 | MARCHE | B + A1 | L+A2 | DÉMARRAGE | B + S + A1 |
|----------|-----------------|-------|------------|------------------|--------|--------|--------|------|-----------|------------|
|----------|-----------------|-------|------------|------------------|--------|--------|--------|------|-----------|------------|



PRISE DE FORCE INTERRUPTEUR (ACCOUPLER CÔTÉ)



3



PINCES ISOLEES
REMARQUE: SI LES PINCES ISOLEES ONT ETE ENLEVEES POUR L'ENTRETIEN DU MODELE, ELLES DOIVENT ETRE REMISES EN PLACE POUR ASSURER LE BON FONCTIONNEMENT DU CABLAGE.

CONNECTEURS AMOVIBLES

CONNECTEURS NON-AMOVIBLES

COMMENT UTILISER CE MANUEL

Ce manuel a été dessiné pour fournir le client avec les moyens d'identification des pièces de détails du tracteur quand il/elle a besoin de commander les pièces de rechange. Les illustrations ne peuvent pas représenter exactement le modèle que vous avez acheté. N'utilisez pas ce manuel comme un guide dans le montage et/ou démontage de votre tracteur. La visserie montrée est plus grande pour faciliter l'identification.

Chaque tracteur a un numéro de modèle particulier.

Le numéro de modèle du produit se trouvera sur l'aile, dessous le siège.

Lorsque vous commandez des pièces de rechange, donnez toujours les renseignements suivants:

- Produit - "TRACTEUR"
- NUMÉRO DU MODÈLE - "944.101040"
- Numéro de la Pièce
- Description de la Pièce

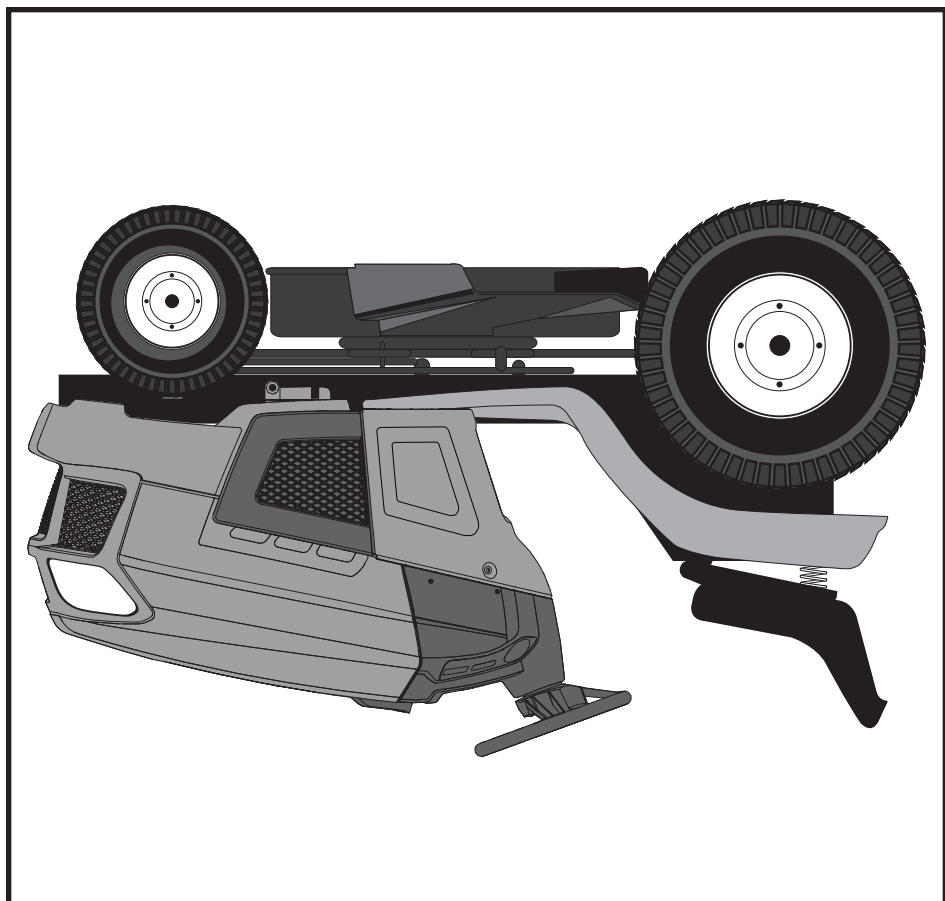
TABLE DE MATIERES

| | |
|--|-------|
| SCHEMA..... | 3 |
| ELECTRIQUE..... | 4-5 |
| CHASSIS/ENCEINTES..... | 6-7 |
| ENTRAÎNEMENT..... | 8-9 |
| MOTEUR..... | 10-11 |
| ENSEMBLE DE LA DIRECTION..... | 12-13 |
| CARTER DE TONDEUSE..... | 14-15 |
| LEVAGE DE LA TONDEUSE..... | 16 |
| ENSEMBLE DU SIÈGE..... | 17 |
| DECALCOMANIES..... | 18 |
| VOYEZ LES DÉTAILS DE MOTOR..... | 19-23 |
| VOYEZ LES DÉTAILS DE TRANSMISSION..... | 24-25 |
| ENTRETIEN DE "SEARS"..... | 26 |

Sears Canada, Inc., Toronto, Ontario MSB 2B8

* La puissance nominale indiquée par le fabricant du moteur est la puissance brute moyenne (à un régime en tr/min spécifique) d'un moteur de production type pour le modèle de moteur mesuré selon les normes SAE pour la puissance brute du moteur. Se reporter au fabricant du moteur pour tous les détails.

22 C.V.*
DÉMARRAGE ÉLECTRIQUE
TONDEUSE DE 117 CM (46 PO.)
AUTOMATIQUE
TRACTEUR DE PELOUSE



Importante: Lisez et suivez le mode d'emploi et toutes les règles de sécurité avant d'utiliser cet équipement.

NUMÉRO DE
MODÈLE
944.101040

SEARS
MANUEL DE
PIÈCES DE
RECHANGE