

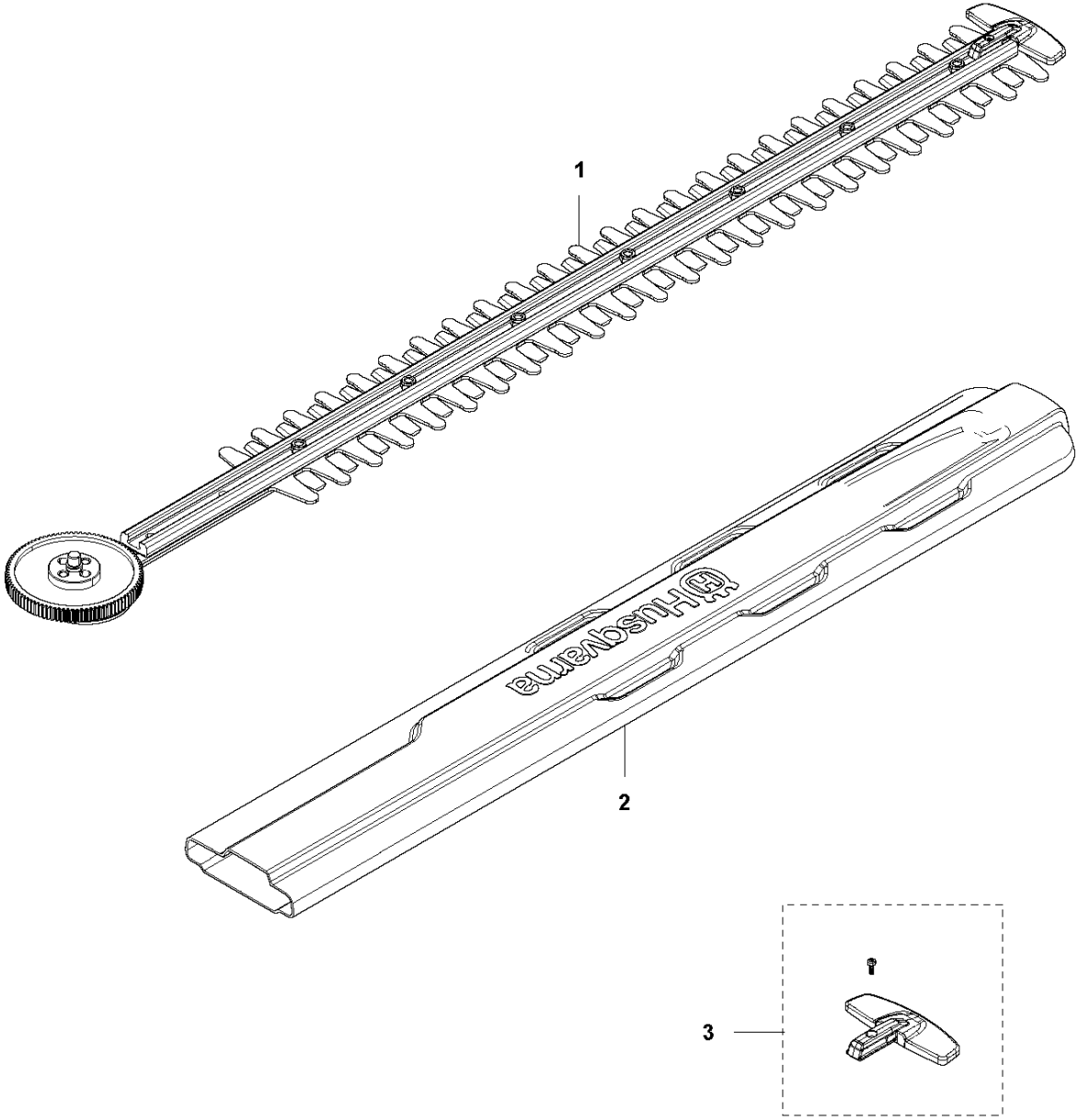


SPARE PARTS LIST

HEDGE TRIMMERS/POLE HEDGE
TRIMMERS

115 iHD55, 967098602, 2017-03

A 115iHD55
CUTTING EQUIPMENT



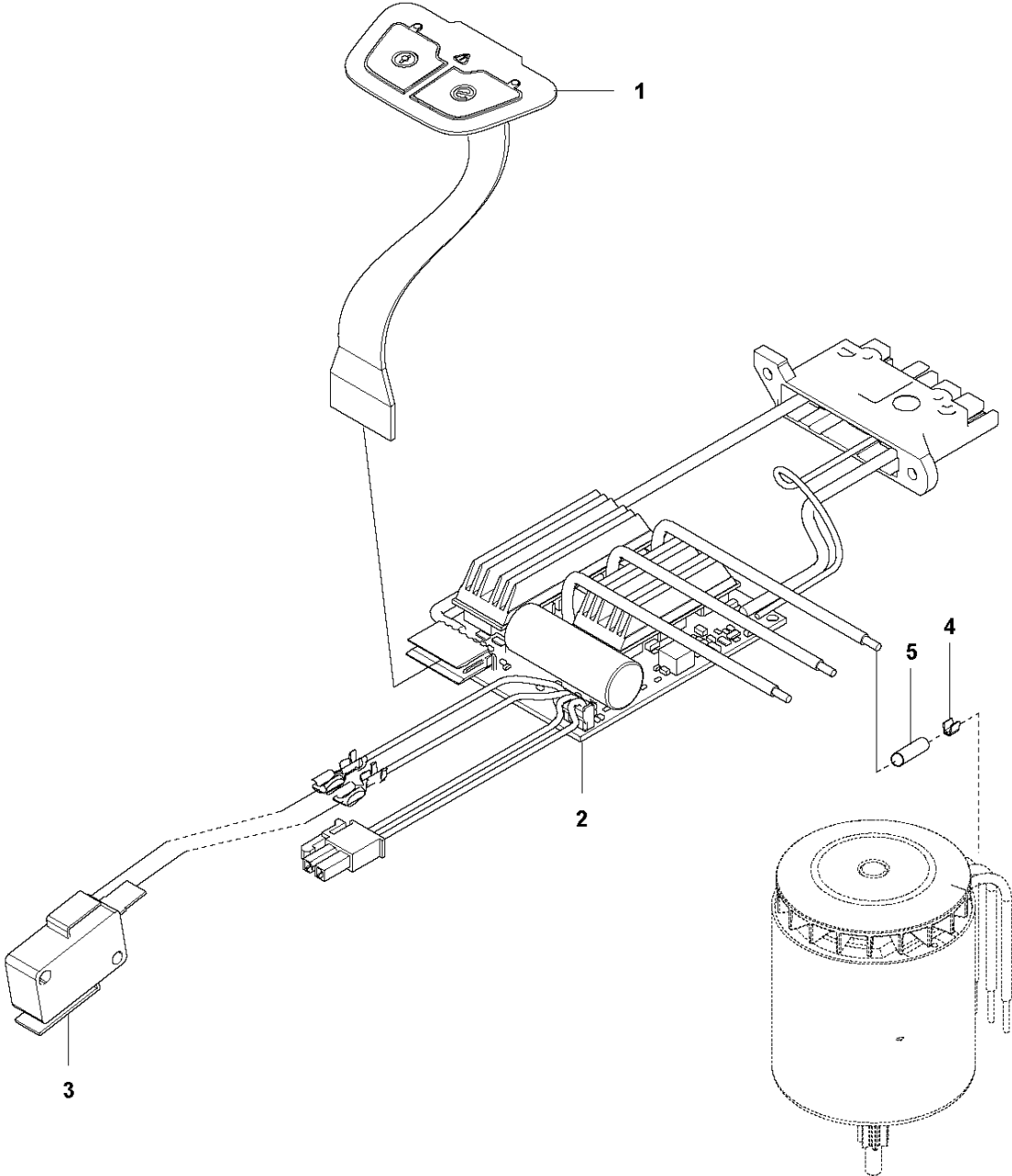
CUTTING EQUIPMENT

115 iHD55, 967098602, 2017-03

Ref	Part No	Description	Remark	QTY KIT
1	582 56 91-01	DRIVER ASSY		1
2	582 49 29-01	BLADE		1
3	588 76 01-01	BLADE		1

E2 115iHD55
ELECTRICAL

HIGHER THAN S/N 20170102420



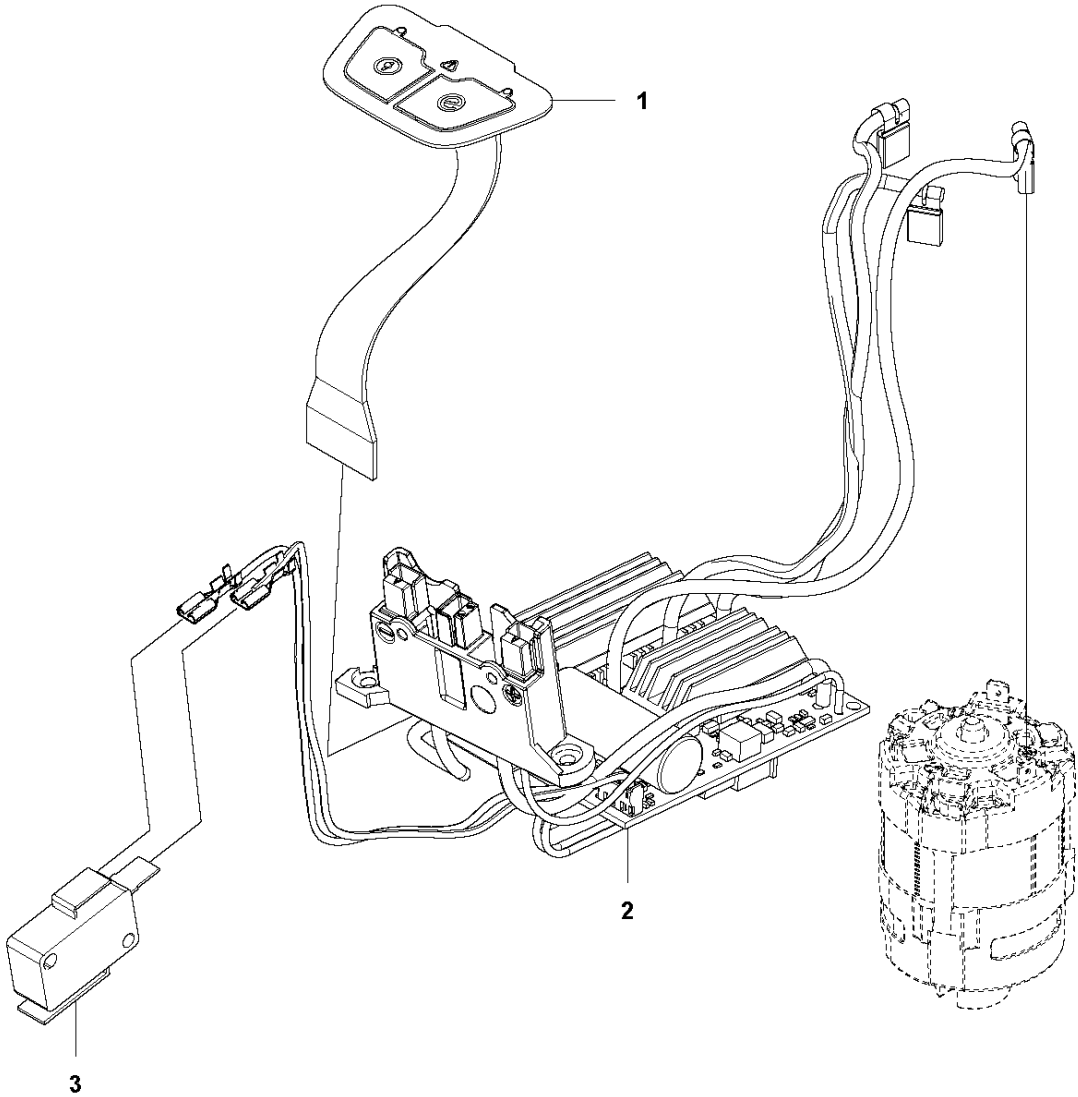
ELECTRICAL

115 iHD55, 967098602, 2017-03

Ref	Part No	Description	Remark	QTY KIT
1	582 54 16-01	KEYPAD		1
2	582 40 59-07	CONTROL UNIT		1
3	585 59 06-01	MICRO SWITCH		1
4	588 25 97-01	TERMINAL		3
5	588 25 98-01	SLEEVE		3

E1 115iHD55
ELECTRICAL

UP TO S/N 20170102420



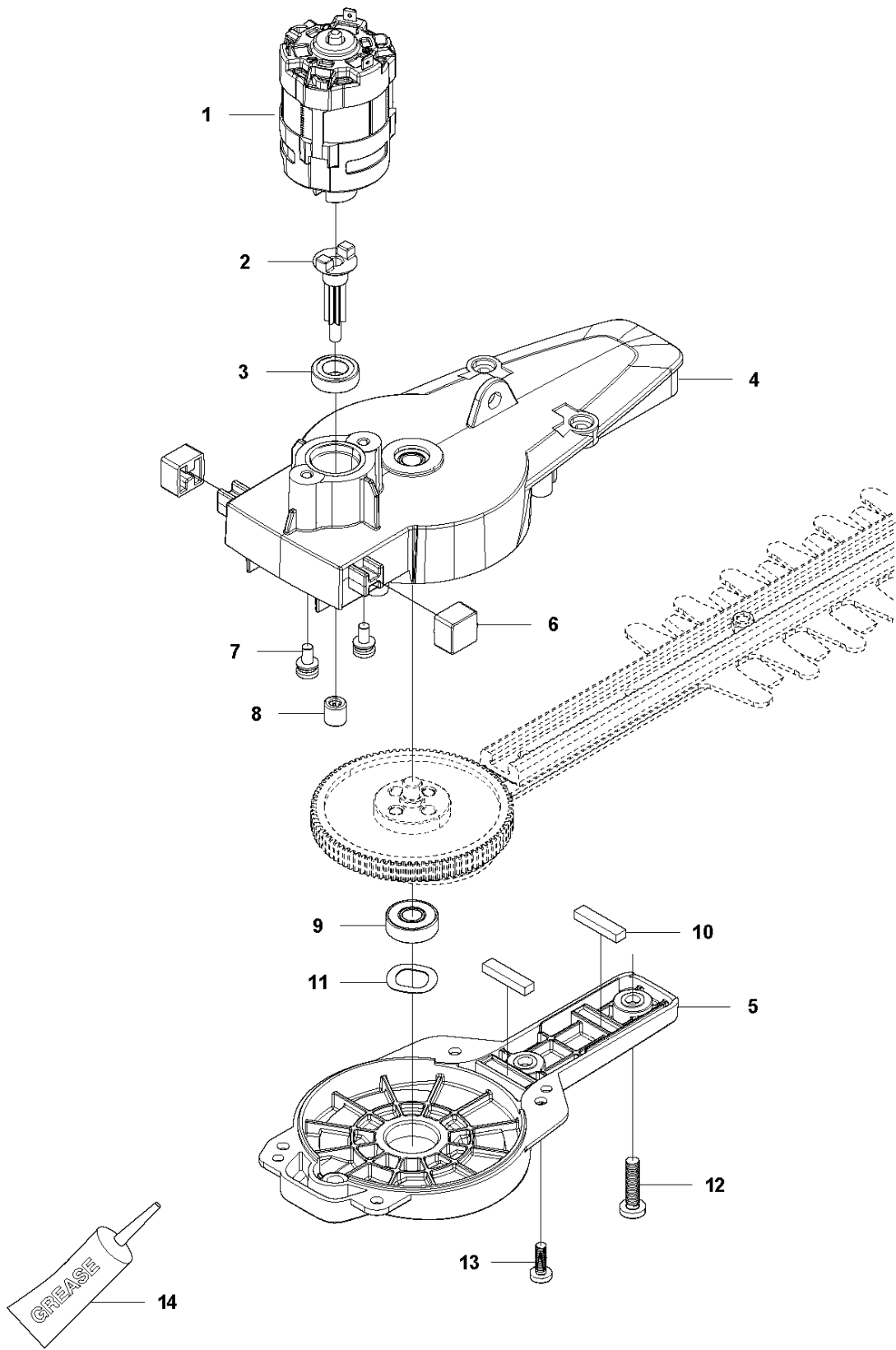
ELECTRICAL

115 iHD55, 967098602, 2017-03

Ref	Part No	Description	Remark	QTY KIT
1	582 54 16-01	KEYPAD		1
2	582 40 59-03	CONTROL UNIT		1
3	585 59 06-01	MICRO SWITCH		1

B1 115iHD55
GEARS

UP TO S/N 20170102420



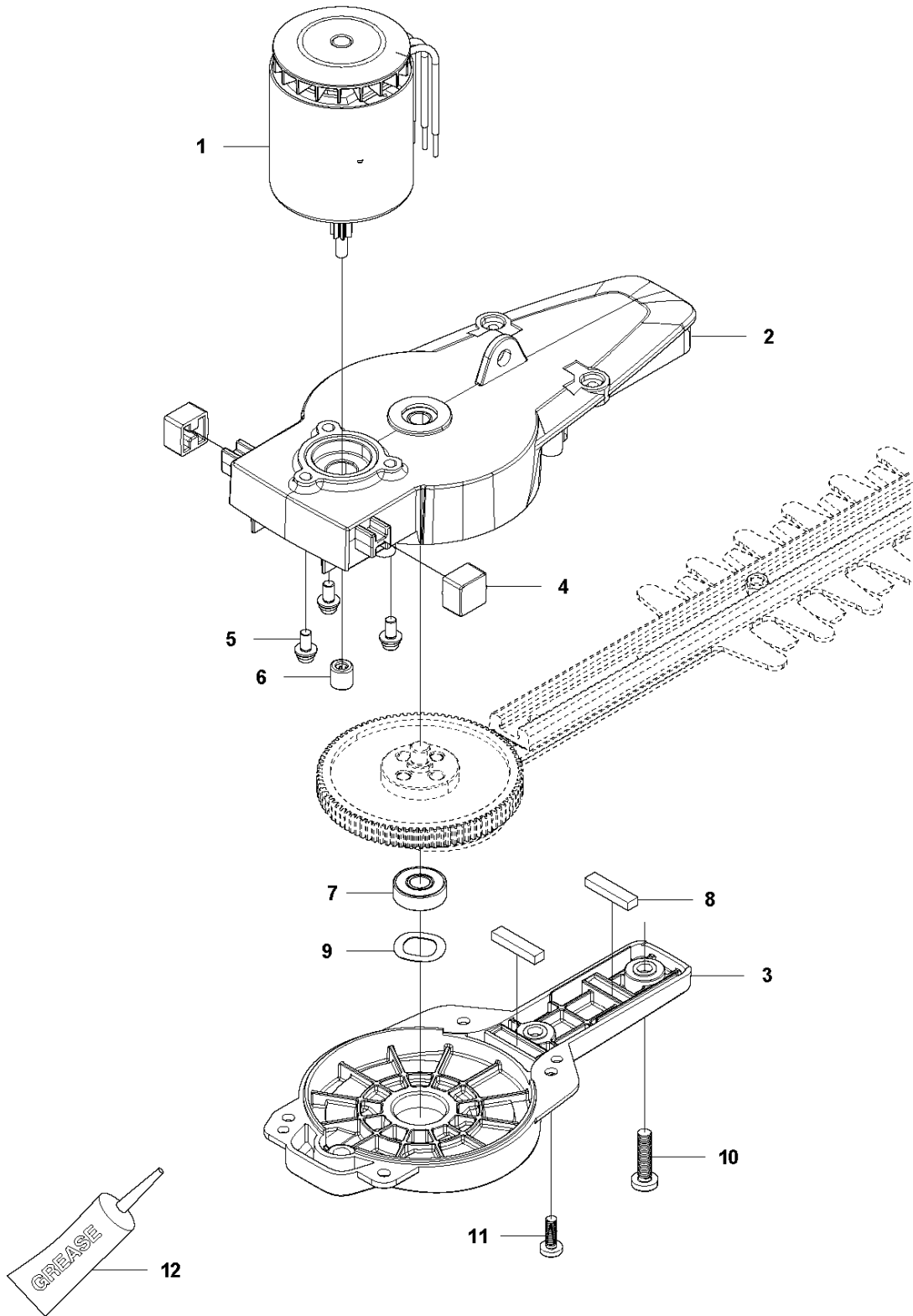
GEARS

115 iHD55, 967098602, 2017-03

Ref	Part No	Description	Remark	QTY KIT
1	582 86 13-01	MOTOR		1
2	582 51 63-01	PINION		1
3	582 51 71-01	BALL BEARING		1
4	582 85 50-01	GEAR		1
5	582 49 26-01	COVER		1
6	585 81 88-01	SLEEVE		2
7	582 56 10-01	SCREW		2
8	585 62 83-01	NEEDLE BEARING		1
9	585 63 58-01	BALL BEARING		1
10	585 62 82-01	PAD		2
11	588 26 77-01	GEARBOX		1
12	585 81 86-01	SCREW		2
13	585 81 87-01	SCREW		4
14	589 38 29-01	GREASE	3,5g	1

B2 115iHD55
GEARS

HIGHER THAN S/N 20170102420

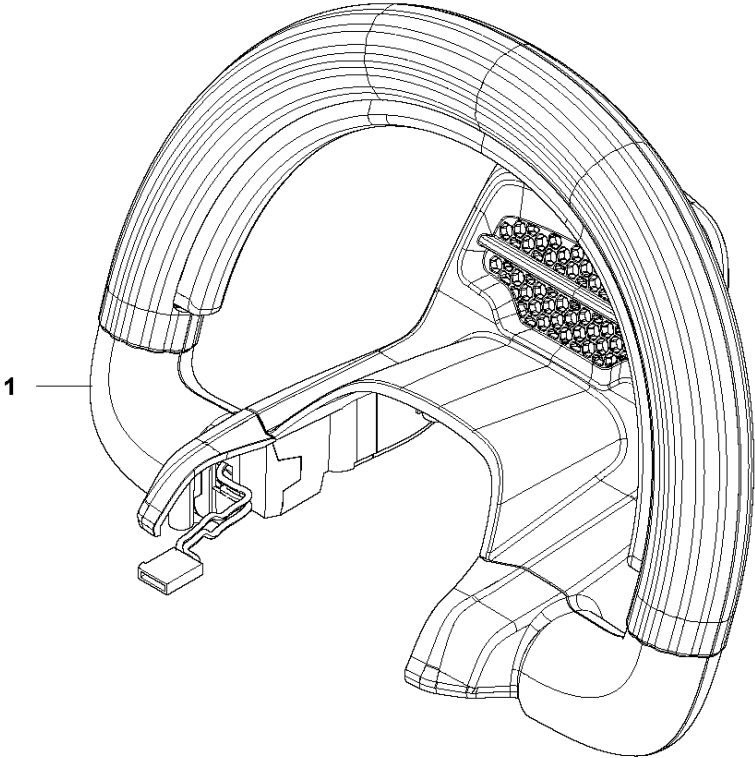


GEARS

115 iHD55, 967098602, 2017-03

Ref	Part No	Description	Remark	QTY KIT
1	589 60 59-01	MOTOR		1
2	589 76 67-01	GEAR		1
3	582 49 26-01	COVER		1
4	585 81 88-01	SLEEVE		2
5	585 94 44-01	SCREW		3
6	585 62 83-01	NEEDLE BEARING		1
7	585 63 58-01	BALL BEARING		1
8	585 62 82-01	PAD		2
9	588 26 77-01	GEARBOX		1
10	585 81 86-01	SCREW		2
11	585 81 87-01	SCREW		4
12	589 38 29-01	GREASE	3,5g	1

C 115iHD55
HANDLE



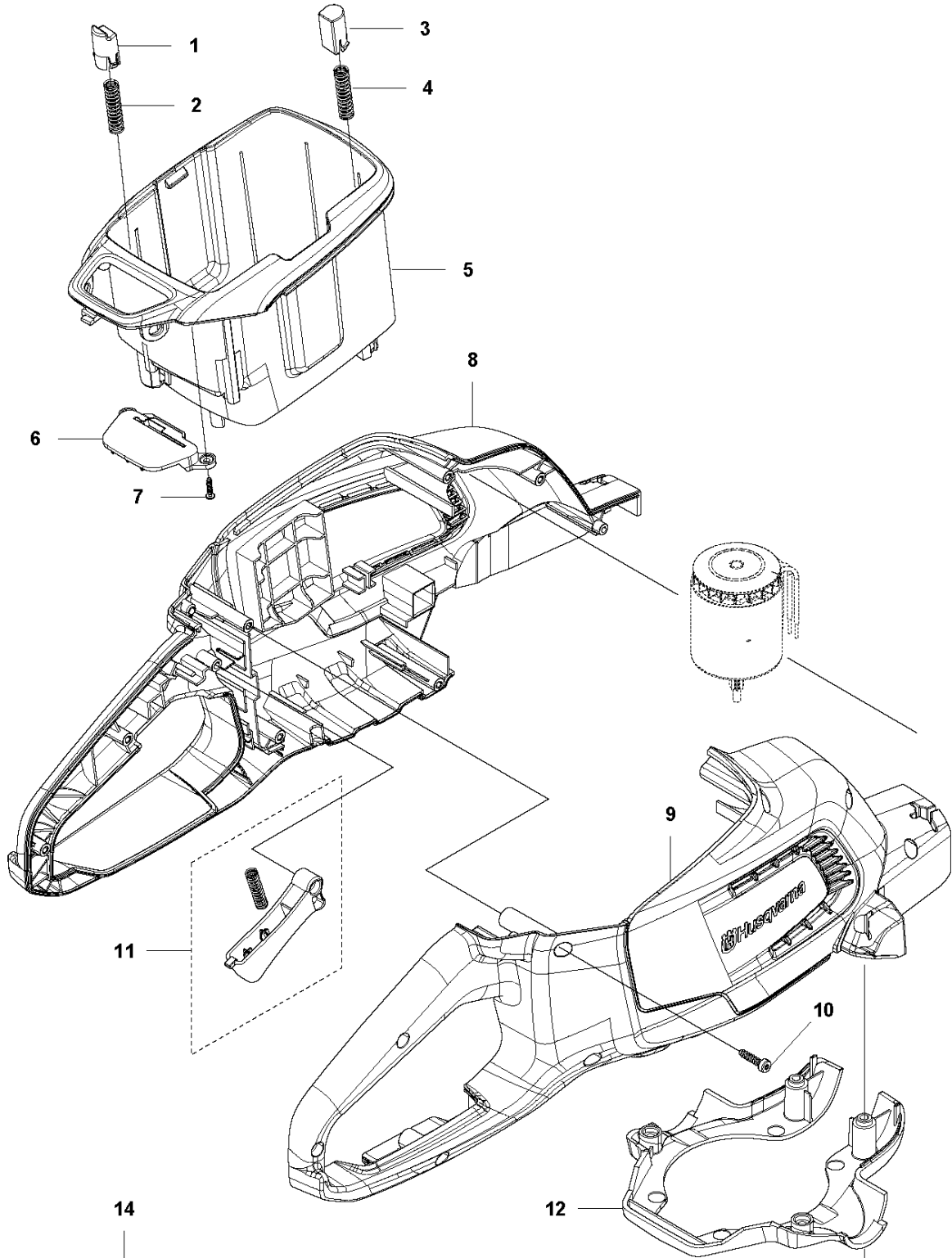
HANDLE

115 iHD55, 967098602, 2017-03

Ref	Part No	Description	Remark	QTY KIT
1	588 76 04-01	HANDLE		1

D2 115iHD55
HOUSING

HIGHER THAN S/N 20170102420



Husqvarna 40V max
36V nom
Model: 115iHD55
Platform: HT100UL
PNC No.:
Serial No.:

HUSQVARNAS, SE-461 82 HUSKVARNA, SWEDEN

DANGER
KEEP HANDS AWAY FROM BLADE

DANGER
MAINTENEZ LES MAINS À DISTANCE
DE LA LAME

PELIGRO
MANTENGA LAS MANOS ALEJADAS
DE LA HOJA

582678202

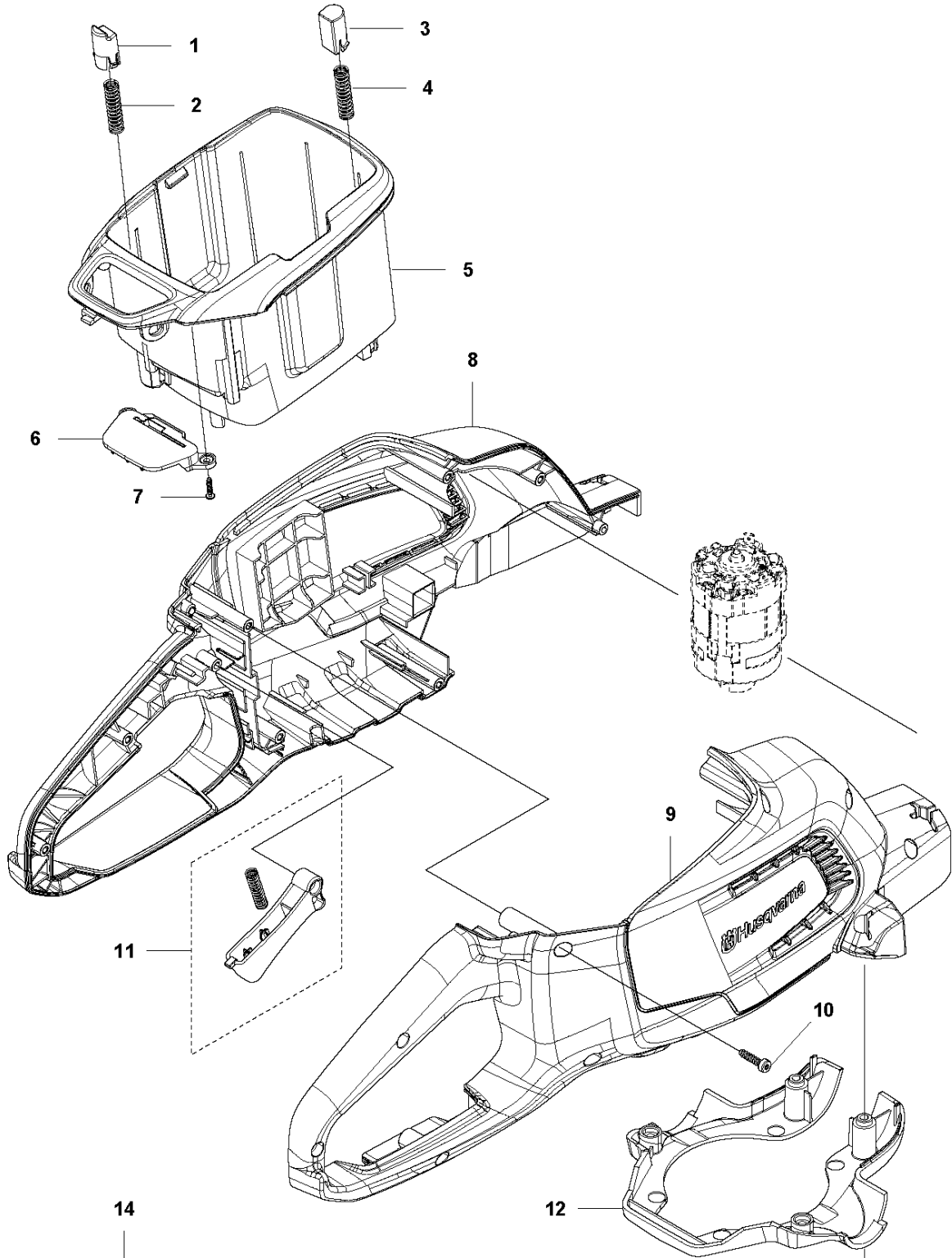
HOUSING

115 iHD55, 967098602, 2017-03

Ref	Part No	Description	Remark	QTY KIT
1	577 99 66-01	PUSH BUTTON		1
2	585 63 62-01	SPRING		1
3	585 63 60-01	PUSH BUTTON		1
4	585 63 66-01	SPRING		1
5	585 63 49-01	BATTERY BOX		1
6	585 63 50-01	BRACKET		1
7	585 81 89-01	SCREW		4
8	588 14 58-02	HOUSING		1
9	588 14 57-01	HOUSING		1
10	585 81 90-02	SCREW		9
11	588 76 05-01	TRIGGER		1
12	585 63 39-01	COVER		1
13	585 81 90-02	SCREW		4
14	582 67 81-03	DECAL		1
15	582 67 82-02	DECAL		1

D1 115iHD55
HOUSING

UP TO S/N 20170102420



Husqvarna 40V max
36V nom
Model: 115iHD55
Platform: HT100UL
PNC No.:
Serial No.:
HUSQVARNA AB, SE-461 82 HUSQVARNA, SWEDEN

! DANGER
KEEP HANDS AWAY FROM BLADE
! DANGER
MAINTENEZ LES MAINS À DISTANCE DE LA LAME
! PELIGRO
MANTENGA LAS MANOS ALEJADAS DE LA HOJA

562678202

13
15

HOUSING

115 iHD55, 967098602, 2017-03

Ref	Part No	Description	Remark	QTY KIT
1	577 99 66-01	PUSH BUTTON		1
2	585 63 62-01	SPRING		1
3	585 63 60-01	PUSH BUTTON		1
4	585 63 66-01	SPRING		1
5	585 63 49-01	BATTERY BOX		1
6	585 63 50-01	BRACKET		1
7	585 81 89-01	SCREW		4
8	588 14 58-02	HOUSING		1
9	588 14 57-01	HOUSING		1
10	585 81 90-02	SCREW		9
11	588 76 05-01	TRIGGER		1
12	585 63 39-01	COVER		1
13	585 81 90-02	SCREW		4
14	582 67 81-03	DECAL		1
15	582 67 82-02	DECAL		1