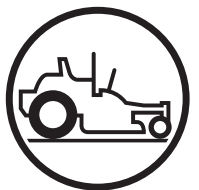




www.husqvarna.com



Parts Manual

Z 248F / 96726250101

Please read the operator manual carefully
and make sure you understand the instructions
before using the machine.

Gasoline containing a maximum of 10% ethanol (E10)
is permitted for use in this machine.
The use of gasoline with more than 10% ethanol
(E10) will void the product warranty.

2019-04-11 JSE

115 91 77-27 Rev. C



When you need spare parts or support in service questions, warranty issues, etc., please consult the following professional:

| | | |
|---|--------|--------------|
| | | |
| This manual belongs to the machine with the manufacturing number: | Engine | Transmission |

| Ref. | Part No. | Qty | Description | Kit / Assy Includes |
|------|--------------|-----|----------------------------|---------------------|
| 1 | 587 59 56-01 | 1 | Decal, Steer / Brake Left | |
| 2 | 587 59 55-01 | 1 | Decal, Steer / Brake Right | |
| 3 | 587 22 03-01 | 2 | Decal, Z 248F | |
| 4 | 539 10 57-45 | 1 | Decal, Battery Warning | |
| 5 | 532 42 86-77 | 1 | Decal, Crown | |
| 6 | 539 10 83-85 | 1 | Decal, Do Not Tow | |
| 7 | 539 10 83-86 | 1 | Decal, Exit Mower | |
| 8 | 539 10 98-97 | 1 | Decal, Service | |
| 9 | 590 48 55-01 | 1 | Decal, Safety Warnings | |
| 10 | 532 42 38-29 | 1 | Decal, Responsibility | |
| 11 | 588 03 51-01 | 1 | Decal, Start | |
| 12 | 586 97 88-01 | 1 | Decal, Deflector | |
| 13 | 589 35 79-01 | 1 | Decal, No Step | |
| 14 | 539 11 26-20 | 1 | Decal, Belt Routing | |
| 15 | 577 46 90-01 | 2 | Decal, Husqvarna | |
| 16 | 587 00 07-01 | 1 | Pad, Abrasive | |

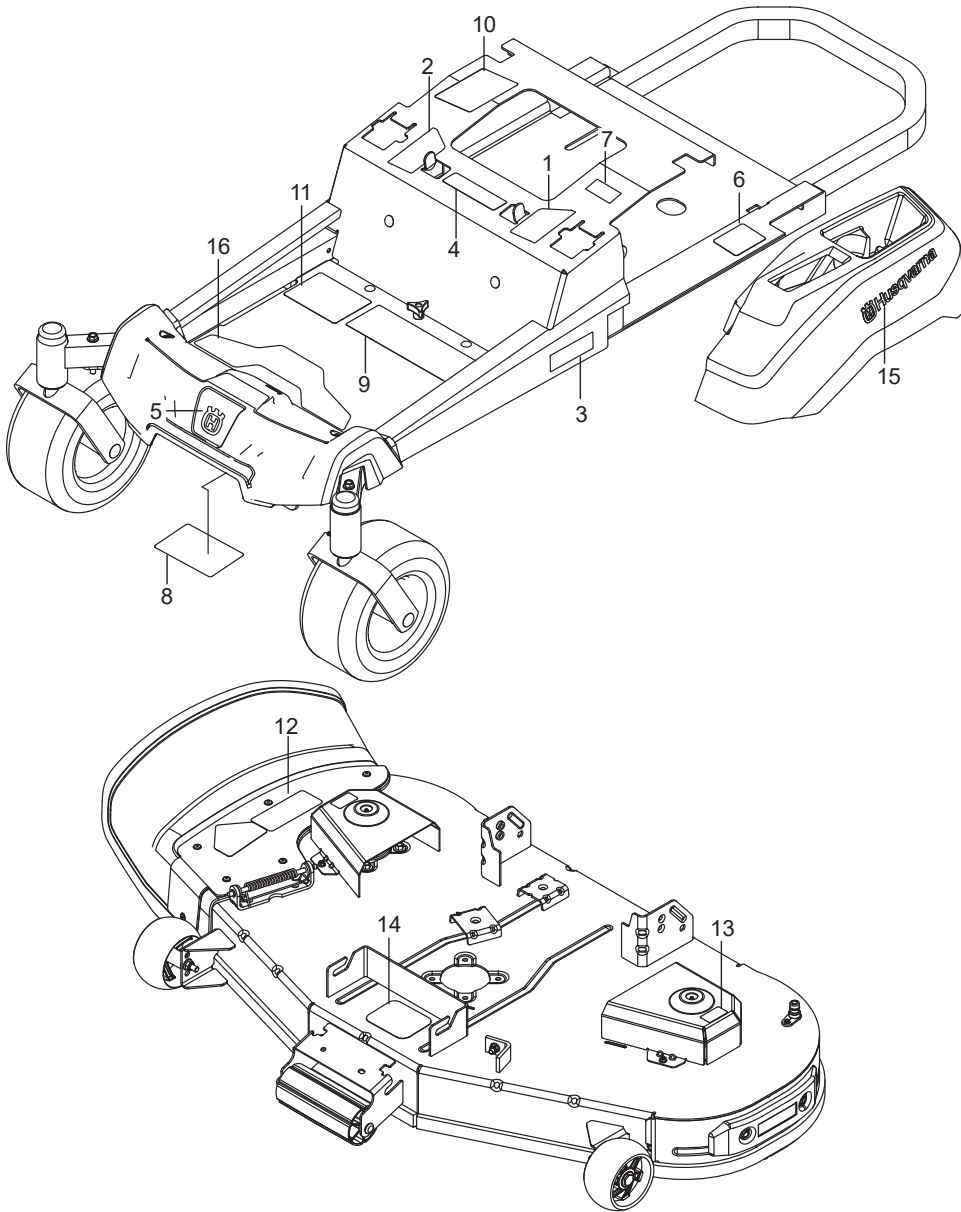
Manufacturing Number

The machine's manufacturing number can be found on the printed plate affixed to the engine compartment.

Stated on the plate, from the top are:

- The machine's type designation (I.D.).
- The manufacturer's type number (Model).
- The machine's serial number (Serial no.)

Please have the type designation and serial number available when ordering spare parts.



FRAME4

ENGINE MOUNTING, GUARDS & MUFFLER6

STEERING8

IGNITION SYSTEM.....10

BRAKE / LIFT12

HYDRAULIC PUMP-MOTOR..... 14

WHEELS & TIRES16

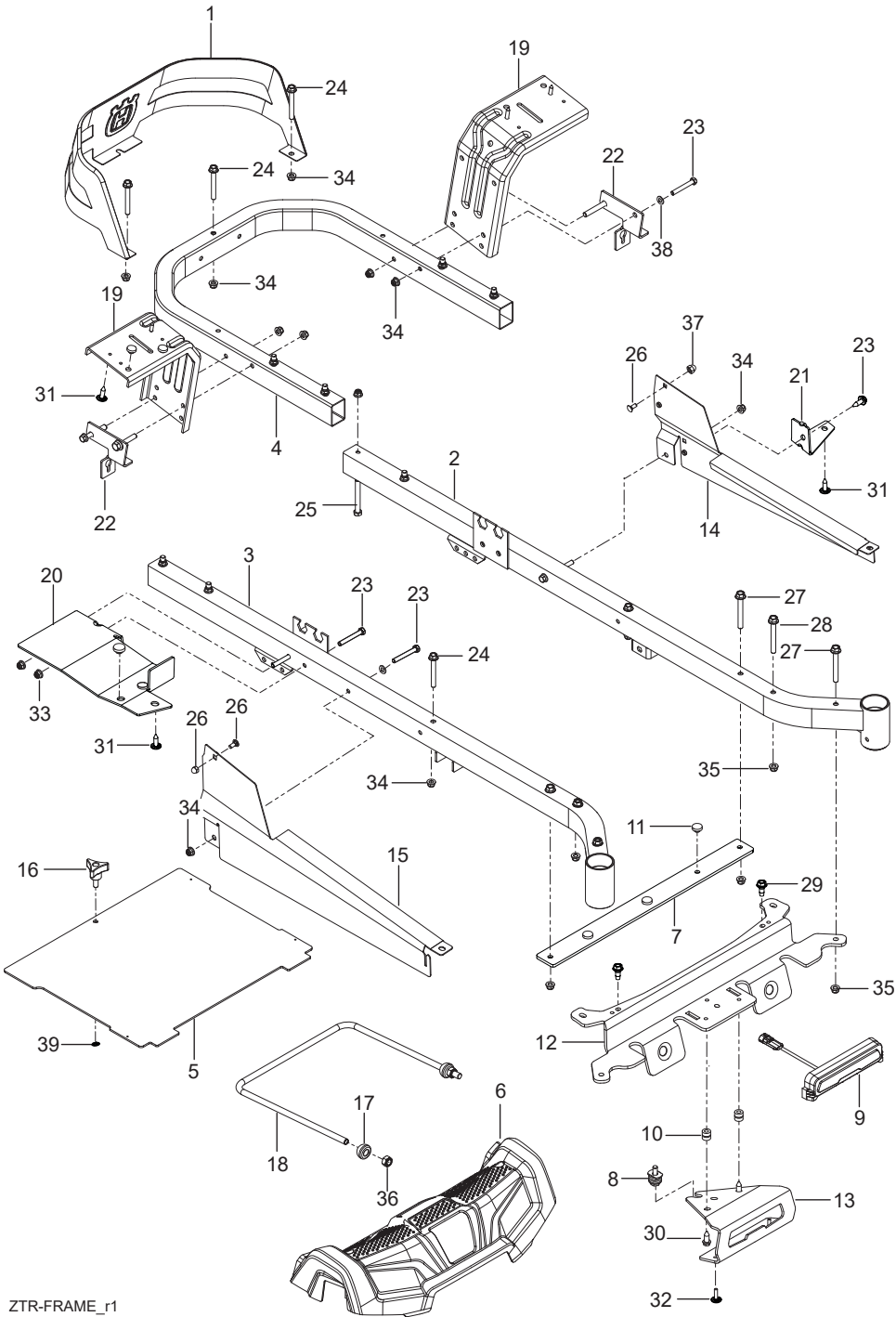
MOWER DECK / CUTTING DECK18

SEAT20

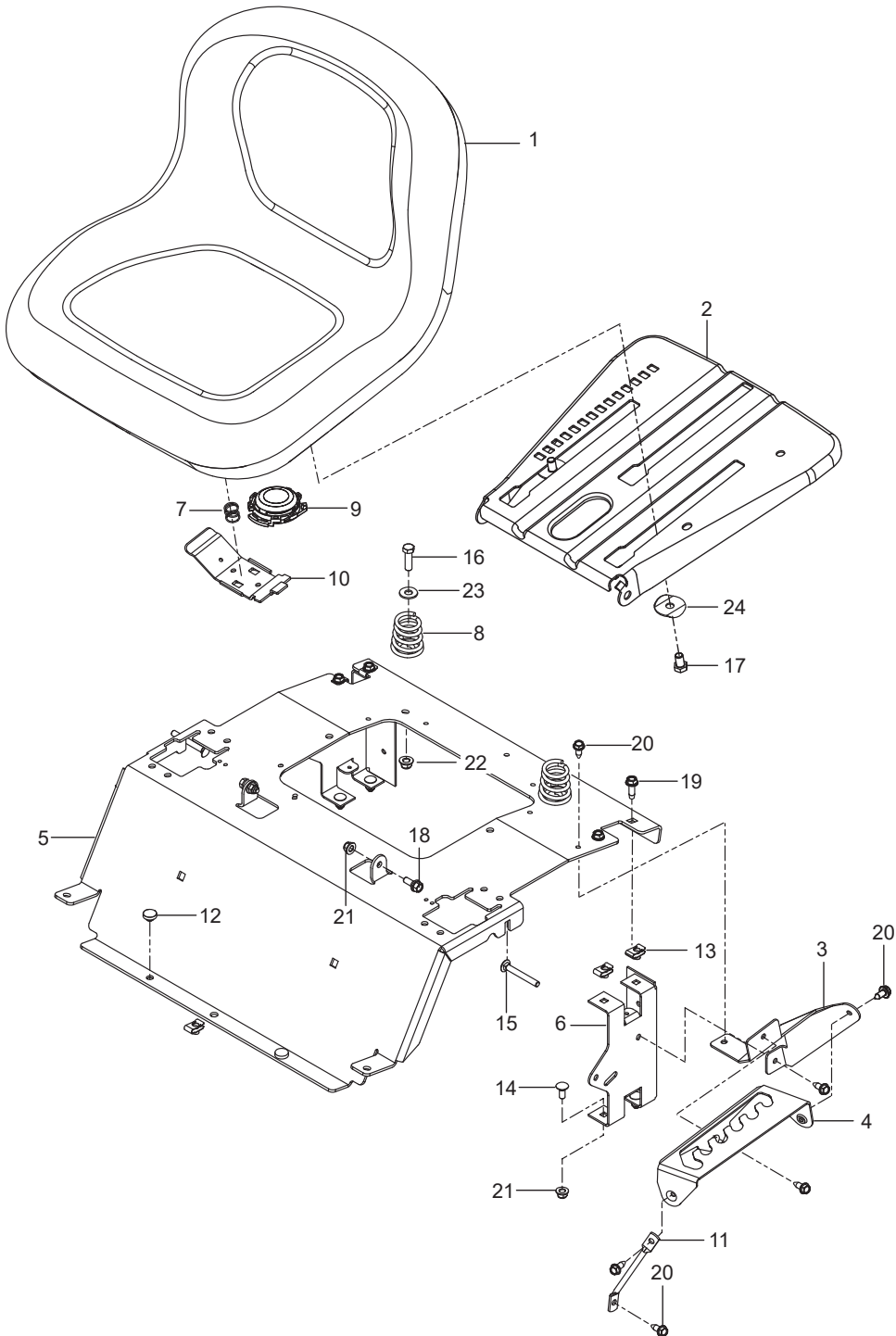
DECALS22

Illustrations may or may not represent the actual assemblies and it is not recommended to use this manual as a guide to assemble or disassemble the mower.

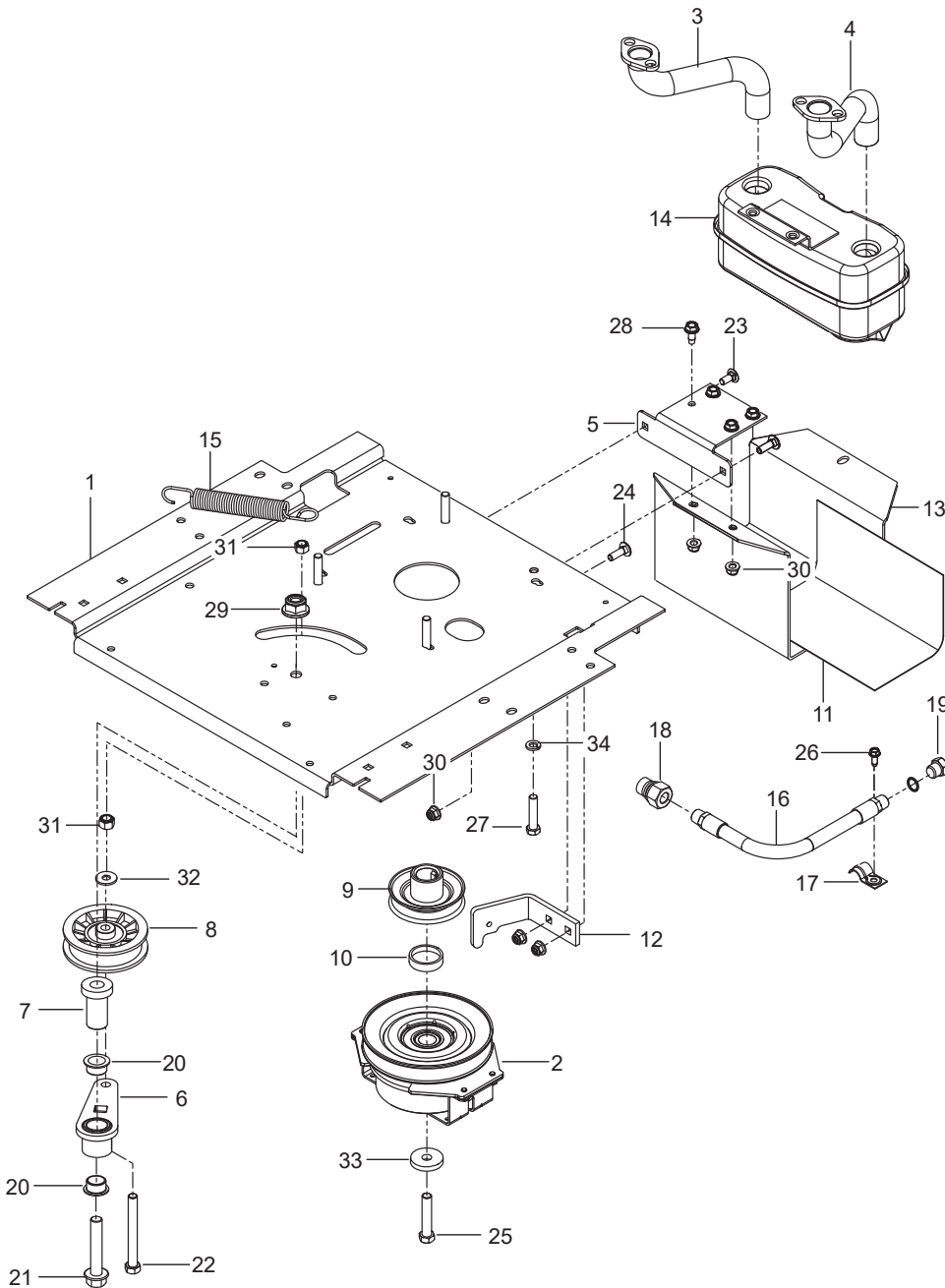
NOTE: All fasteners are Grade 5 unless otherwise specified.



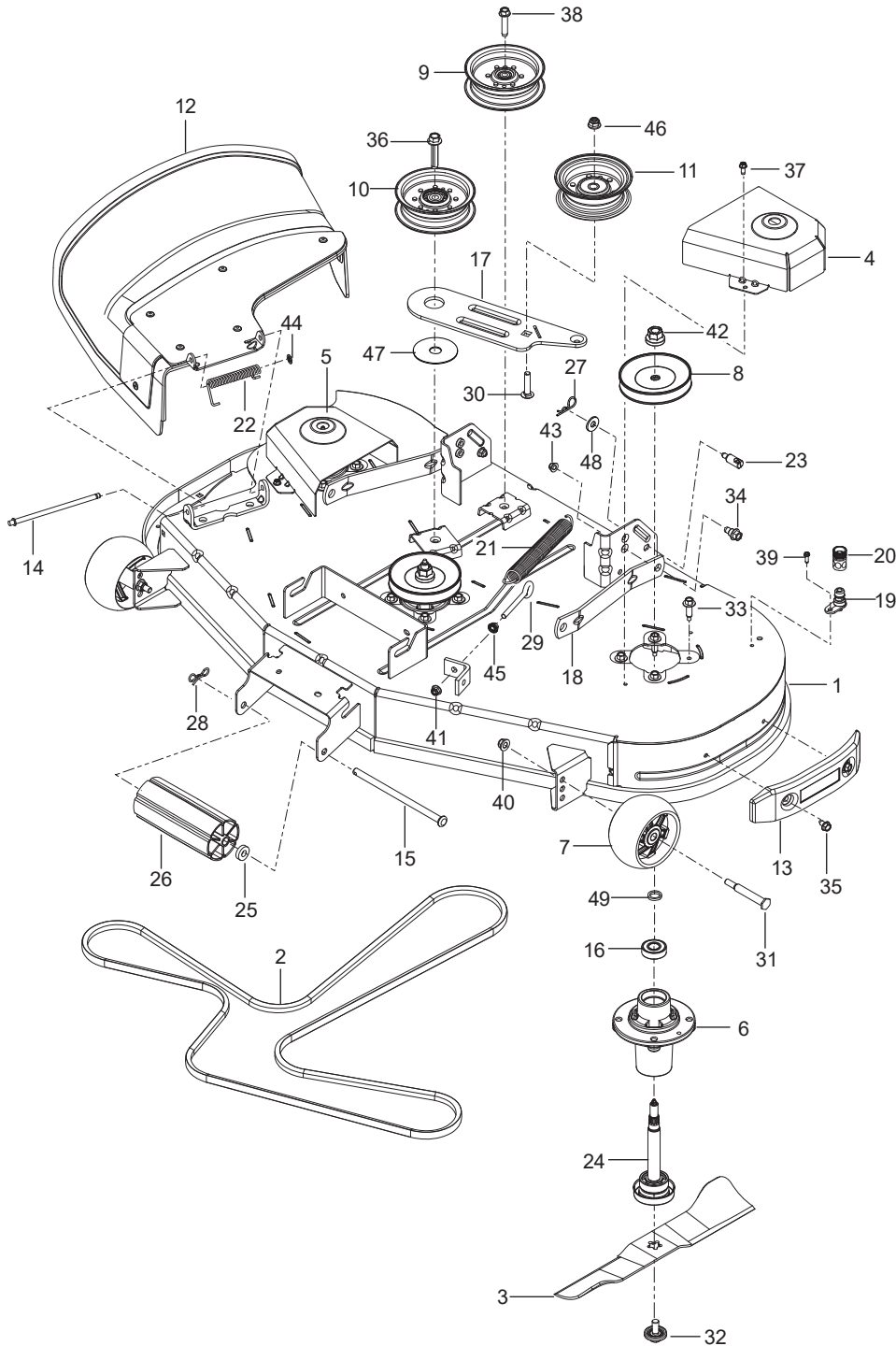
| Ref. | Part No. | Qty | Description | Kit / Assy Includes |
|----------------------|--------------|---------------|---|---------------------|
| 1 | 532 43 98-22 | 1 | Seat | |
| 2 | 587 23 20-02 | 1 | Pan, Seat | |
| 3 | 586 22 08-02 | 1 | Plate, Lift Support | |
| 4 | 586 22 12-02 | 1 | Plate, Deck Lift | |
| 5 | 589 76 12-06 | 1 | Support, Seat Org | |
| 6 | 580 30 82-02 | 2 | Support, Seat Rear Blk | |
| 7 | 532 19 82-00 | 1 | Spring, Latch | |
| 8 | 589 48 35-01 | 2 | Spring, Seat | |
| 9 | 581 42 93-02 | 1 | Switch, Seat | |
| 10 | 532 19 76-61 | 1 | Handle, Slide | |
| 11 | 586 42 86-01 | 1 | Leg, Support | |
| 12 | 585 98 93-01 | 2 | Grommet, Bumper | |
| 13 | 539 10 47-63 | 5 | Retainer, U Type | |
| 14 | 872 14 05-06 | 4 | Bolt 5/16-18 x 3/4 Round Head Square Neck | |
| 15 | 510 42 27-01 | 2 | Bolt 5/16-18 x 2-1/2 Round Hd Square Neck | |
| 16 | 874 78 06-20 | 2 | Bolt 3/8-16 x 1-1/4 | |
| 17 | 874 76 06-12 | 1 | Bolt 3/8-16 x 3/4 | |
| 18 | 539 11 03-03 | 2 | Bolt 5/16-18 Shoulder | |
| 19 | 817 49 05-12 | 4 | Screw 5/16-18 x 3/4 Thread Form | |
| 20 | 817 00 05-10 | 6 | Screw 5/16-18 x 5/8 Washer Head | |
| 21 | 539 11 28-99 | 4 | Nut 5/16-18 Hex Flange Nyloc | |
| 22 | 521 99 65-01 | 2 | Nut 3/8-16 Hex Flange Nyloc | |
| 23 | 819 14 16-14 | 2 | Washer 3/8 Std Flat | |
| 24 | 501 05 18-01 | 1 | Washer, Winged | |
| NOT SHOWN - OPTIONAL | | | | |
| 532 42 14-99 | 1 | Kit, Arm Rest | | |



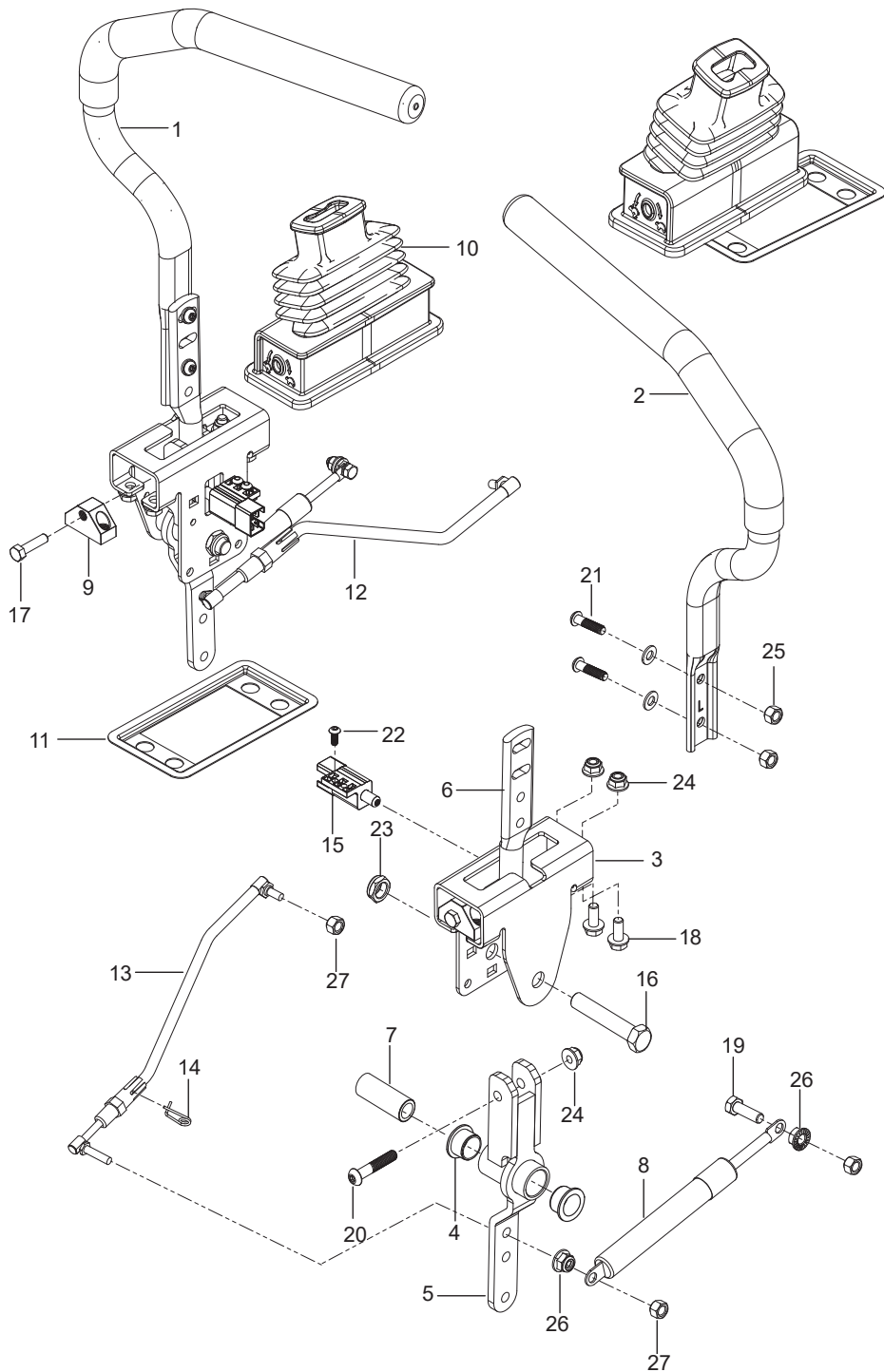
| Ref. | Part No. | Qty | Description | Kit / Assy Includes |
|------|--------------|-----|-----------------------------------|---------------------|
| 1 | 585 03 98-02 | 1 | Guard, Rear Blk | |
| 2 | 589 28 34-02 | 1 | Frame, Front Right Org | |
| 3 | 589 28 33-02 | 1 | Frame, Front Left Org | |
| 4 | 584 99 10-02 | 1 | Frame, Rear Tube Org | |
| 5 | 522 84 29-02 | 1 | Foot Plate w/ Safety Decal | |
| 6 | 586 70 38-01 | 1 | Cover, Footrest w/Decal | |
| 7 | 585 52 30-04 | 1 | Support, Footrest | |
| 8 | 587 54 69-01 | 1 | Assembly, Isolator Tap | |
| 9 | 585 91 67-01 | 1 | Assembly, Led Light | |
| 10 | 587 22 52-01 | 2 | Grommet, Push | |
| 11 | 585 98 93-01 | 7 | Grommet, Bumper | |
| 12 | 585 52 31-04 | 1 | Cross Member | |
| 13 | 587 45 86-02 | 1 | Bracket, Light | |
| 14 | 585 33 16-02 | 1 | Cover, Rail Right | |
| 15 | 585 33 15-02 | 1 | Cover, Rail Left | |
| 16 | 539 10 44-11 | 1 | Knob w/ Stud | |
| 17 | 532 19 52-63 | 2 | Bushing, Pivot | |
| 18 | 521 93 81-01 | 1 | Link, Front Suspension | |
| 19 | 580 50 13-02 | 2 | Support, Fender Blk | |
| 20 | 585 52 34-04 | 1 | Support, Console Right | |
| 21 | 585 52 36-04 | 1 | Support, Console Left | |
| 22 | 585 47 43-02 | 2 | Bracket, Bypass Rod | |
| 23 | 874 78 05-36 | 7 | Bolt 5/16-18 x 2-1/4 | |
| 24 | 874 78 05-44 | 5 | Bolt 5/16-18 x 2-3/4 | |
| 25 | 874 78 06-48 | 8 | Bolt 3/8-16 x 3 | |
| 26 | 585 94 00-01 | 2 | Bolt 5/16-18 x 1 Carriage | |
| 27 | 577 11 77-01 | 4 | Bolt 3/8-16 x 3 | |
| 28 | 586 65 43-01 | 2 | Bolt 3/8-16 x 3 Shoulder | |
| 29 | 586 88 11-01 | 2 | Bolt 5/16-18 Shoulder | |
| 30 | 817 58 52-00 | 2 | Screw 5/16-18 x 1-1/4 Washer Head | |
| 31 | 532 41 63-58 | 6 | Screw #10-24 x 3/4 Hex Head | |
| 32 | 532 42 17-56 | 2 | Screw #10 x 1/2 | |
| 33 | 873 90 05-00 | 2 | Nut 5/16-18 Hex Flange Lock | |
| 34 | 539 11 28-99 | 9 | Nut 5/16-18 Hex Flange Nyloc | |
| 35 | 521 99 65-01 | 8 | Nut 3/8-16 Hex Flange Nyloc | |
| 36 | 539 11 91-24 | 2 | Nut 7/16-14 Hex Nyloc | |
| 37 | 585 93 81-01 | 2 | Nut 5/16-18 Acorn | |
| 38 | 819 11 11-16 | 6 | Washer 11/32 16 Gauge | |
| 39 | 532 42 30-63 | 1 | Palnut 5/16" | |



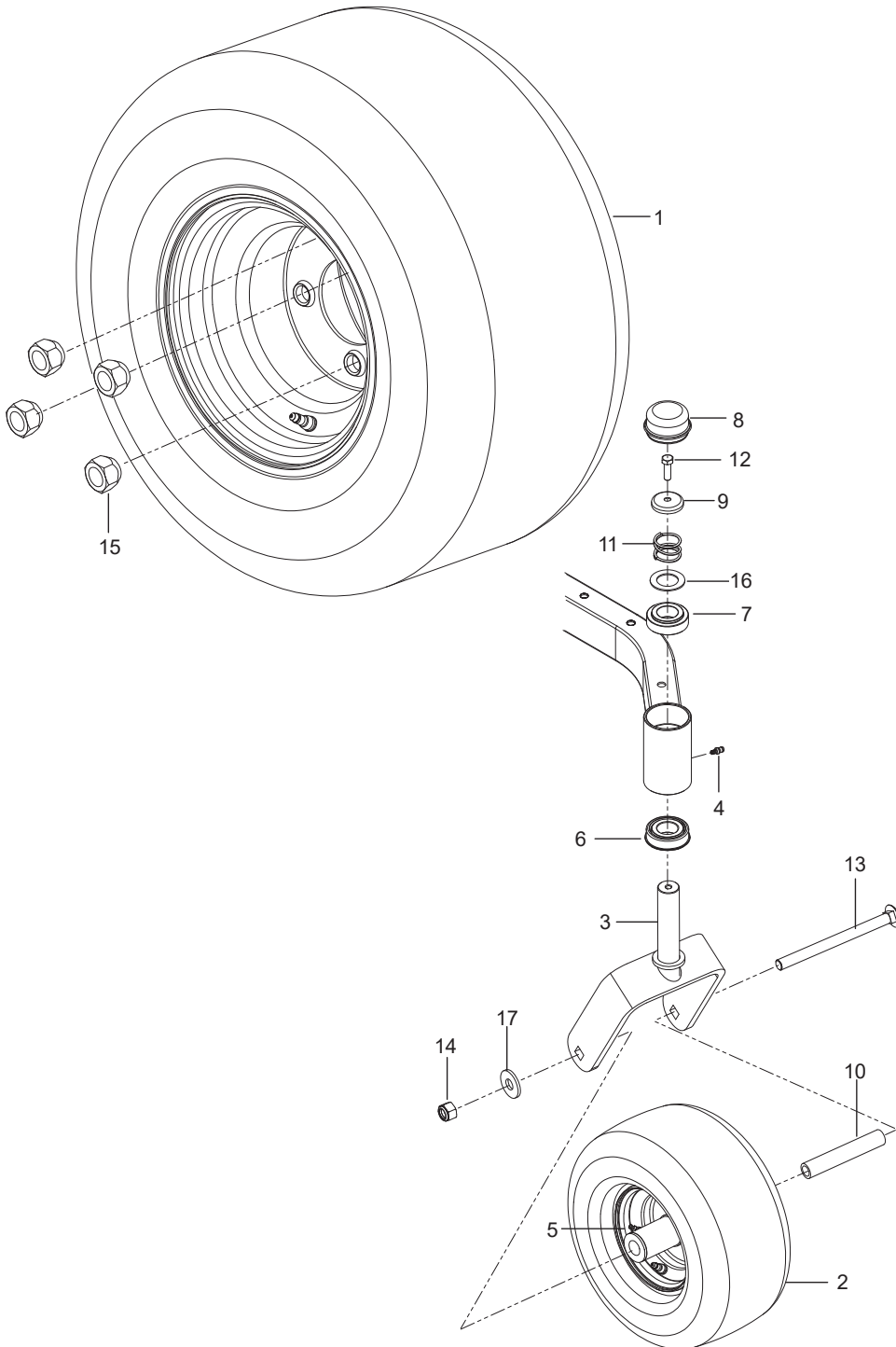
| Ref. | Part No. | Qty | Description | Kit / Assy Includes |
|------|--------------|-----|--|---------------------|
| 1 | 588 78 13-02 | 1 | Deck Org | |
| 2 | 582 55 80-01 | 1 | V-Belt | |
| 3 | 588 81 10-02 | 3 | Blade, Bagging | |
| 4 | 588 81 28-02 | 1 | Belt Shield, Left Gry | |
| 5 | 588 81 24-02 | 1 | Belt Shield, Right Gry | |
| 6 | 539 13 18 98 | 3 | Assembly, Mandrel Cast Iron | 16, 24 |
| 7 | 589 52 73-01 | 2 | Wheel, Gauge | |
| 8 | 532 17 34-35 | 3 | Pulley | |
| 9 | 532 19 61-06 | 1 | Pulley, Idler | |
| 10 | 532 19 61-04 | 1 | Pulley, Idler | |
| 11 | 532 19 31-97 | 1 | Pulley, Idler | |
| 12 | 588 98 07-01 | 1 | Deflector w/ Safety Decals | |
| 13 | 582 54 11-01 | 1 | Bumper w/ Decal | |
| 14 | 532 13 14-91 | 1 | Rod, Hinge | |
| 15 | 532 17 91-27 | 1 | Rod, Nose Roller | |
| 16 | 532 11 04-85 | 1 | Bearing | |
| 17 | 588 81 22-02 | 1 | Arm, Idler | |
| 18 | 587 14 05-02 | 2 | Arm, Suspension | |
| 19 | 532 41 55-98 | 1 | Port, Washout | |
| 20 | 532 41 64-05 | 1 | Coupling, Quick Connect | |
| 21 | 582 50 40-01 | 1 | Spring, Deck Belt | |
| 22 | 587 35 47 01 | 1 | Spring, Torsion | |
| 23 | 532 19 51-61 | 2 | Stud, w/ Anti-Rotate | |
| 24 | 532 18 72-91 | 1 | Shaft | |
| 25 | 582 36 05-01 | 1 | Bushing, Nose Roller | |
| 26 | 532 17 60-66 | 1 | Nose Roller | |
| 27 | 539 97 69-89 | 2 | Clip | |
| 28 | 532 19 42-08 | 1 | Clip | |
| 29 | 539 11 55-74 | 1 | Eye Bolt 5/16 x 3-1/2 | |
| 30 | 872 11 06-14 | 1 | Bolt 3/8-16 x 1-3/4 Round Hd Square Neck | |
| 31 | 532 19 34-06 | 2 | Bolt 3/8-16 x 3-5/8 Shoulder | |
| 32 | 532 19 30-03 | 3 | Bolt, Blade | |
| 33 | 584 95 39-01 | 12 | Bolt 5/16-18 x 1-1/4 Hex Washer Head | |
| 34 | 532 19 65-39 | 2 | Bolt 3/8-16 Shoulder | |
| 35 | 532 17 01-65 | 2 | Bolt 5/16-18 x 3/4 Hex Washer Head | |
| 36 | 588 43 83-01 | 1 | Screw 7/16-14 x 2-1/8 Hex Washer Head | |
| 37 | 532 13 77-29 | 4 | Screw 1/4-20 x 5/8 Hex Thread Form | |
| 38 | 817 49 06-28 | 1 | Screw 3/8-16 x 1-3/4 Hex Thread Form | |
| 39 | 817 49 04-10 | 1 | Screw 1/4-20 x 5/8 Hex Self Tap | |
| 40 | 521 99 65-01 | 2 | Nut 3/8-16 Hex Flange Nyloc | |
| 41 | 539 11 28-99 | 1 | Nut 5/16-18 Hex Flange Nyloc | |
| 42 | 532 40 02-34 | 3 | Nut 9/16 Top Center Lock | |
| 43 | 873 90 05-00 | 2 | Nut 5/16-18 Hex Flange Lock | |
| 44 | 532 11 04-52 | 1 | Pushnut | |
| 45 | 539 99 05-85 | 1 | Nut 5/16-18 Hex Whiz Lock | |
| 46 | 873 90 06-00 | 1 | Nut 3/8-16 Hex Flange Lock | |
| 47 | 532 17 85-15 | 1 | Washer 16 Gauge | |
| 48 | 819 21 21-13 | 2 | Washer 1/2 Flat 13 Gauge | |
| 49 | 532 18 76-90 | 3 | Washer Spacer | |



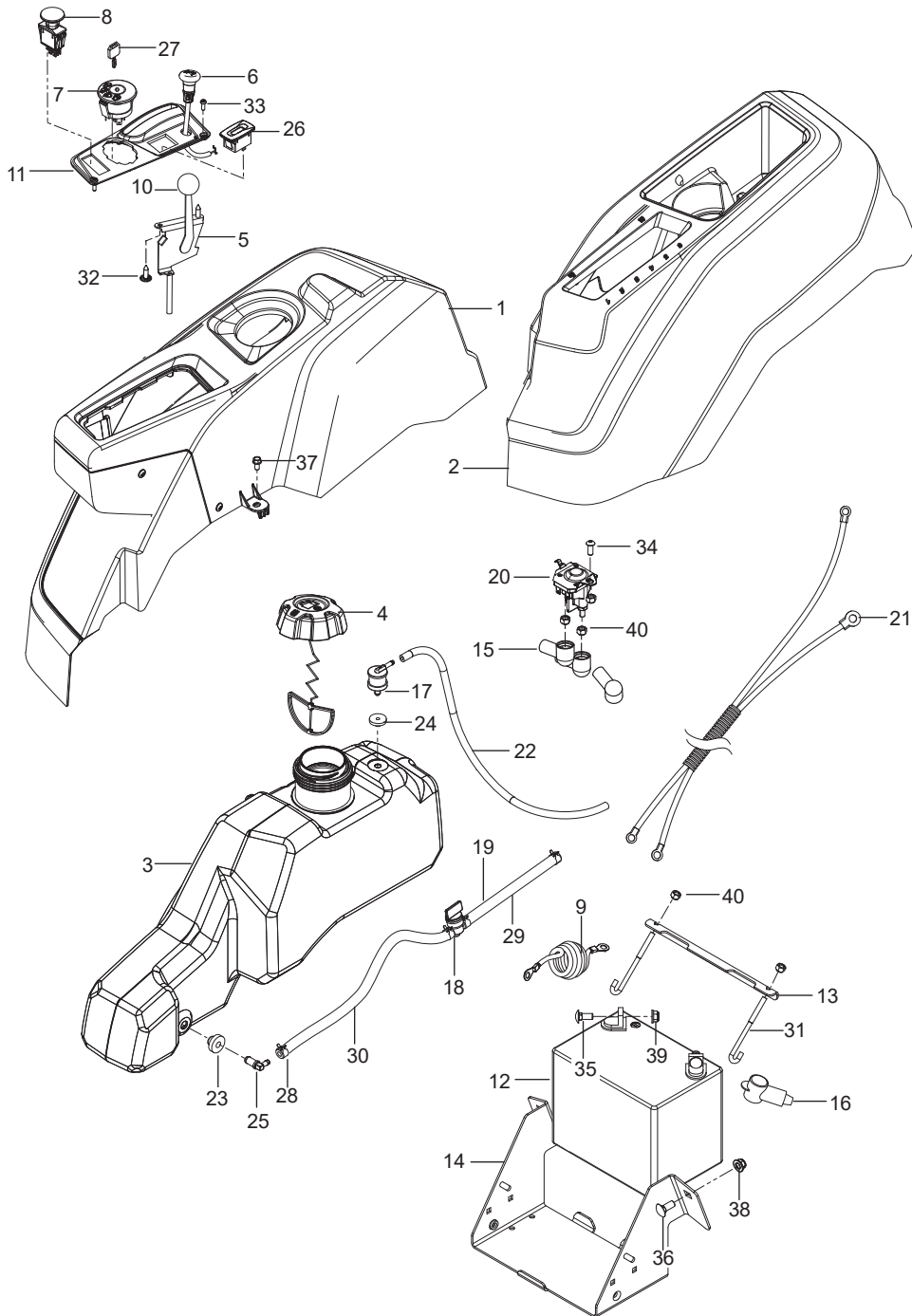
| Ref. | Part No. | Qty | Description | Kit / Assy Includes |
|------|--------------|-----|--|---------------------|
| 1 | 588 01 71-02 | 1 | Plate, Engine Blk | |
| 2 | 587 24 16-01 | 1 | Clutch | |
| 3 | 583 95 57-01 | 1 | Tube, Exhaust Right | |
| 4 | 583 95 56-01 | 1 | Tube, Exhaust Left | |
| 5 | 581 88 67-02 | 1 | Bracket, Muffler Blk | |
| 6 | 532 44 81-45 | 1 | Arm, Idler | |
| 7 | 582 53 89-01 | 1 | Spindle, Idler | |
| 8 | 539 11 03-11 | 1 | Pulley, Idler | |
| 9 | 587 53 74-01 | 1 | Pulley, Engine | |
| 10 | 587 66 01-01 | 1 | Spacer | |
| 11 | 539 13 28-59 | 1 | Shield, Muffler | |
| 12 | 587 63 33-02 | 1 | Stop, Clutch Blk | |
| 13 | 587 45 12-02 | 1 | Guard, Muffler Blk | |
| 14 | 539 13 16-04 | 1 | Muffler Assembly | |
| 15 | 532 19 61-05 | 1 | Spring, Deck Drive | |
| 16 | 584 82 55-01 | 2 | Assy, Drain Hose | |
| 17 | 539 10 13-63 | 1 | Clamp | |
| 18 | 522 59 90-01 | 1 | Adapter, Oil Drain | |
| 19 | 585 80 71-01 | 1 | Plug, Oil | |
| 20 | 501 60 37-01 | 2 | Bearing, Flanged | |
| 21 | 582 53 95-01 | 1 | Bolt 1/2-13 x 2-3/4 Hex Flange Head | |
| 22 | 874 52 06-56 | 1 | Bolt 3/8-16 x 3-1/2 Hex Head | |
| 23 | 872 14 05-06 | 2 | Bolt 5/16-18 x 3/4 Round Head Square Neck | |
| 24 | 872 14 05-08 | 2 | Bolt 5/16-18 x 1 Round Head Square Neck | |
| 25 | 581 33 28 03 | 1 | Bolt 7/16-20 x 2-1/2 Hex Head | |
| 26 | 817 49 04-10 | 1 | Screw 1/4-20 X 5/8 Thread Form | |
| 27 | 539 97 69-49 | 4 | Bolt 3/8-16 x 1-3/4 | |
| 28 | 817 49 05-12 | 4 | Screw 5/16-18 x 3/4 Thread Form | |
| 29 | 521 99 11-01 | 1 | Nut 1/2-13 Hex Flange Nyloc | |
| 30 | 539 11 28-99 | 5 | Nut 5/16-18 Hex Flange Nyloc | |
| 31 | 539 97 69-79 | 2 | Nut 3/8-16 Hex Nyloc | |
| 32 | 539 99 06-92 | 2 | Washer 5/16 Std Flat | |
| 33 | 532 12 61-97 | 1 | Washer, Clutch | |
| 34 | 810 03 06-00 | 4 | Washer 3/8 Splt Lock | |
| | NOT SHOWN | | | |
| | ----- | 1 | Engine, Kawasaki FR691V-FS00-S 23 HP For Engine Replacement Parts, See a Kawasaki Dealer | |



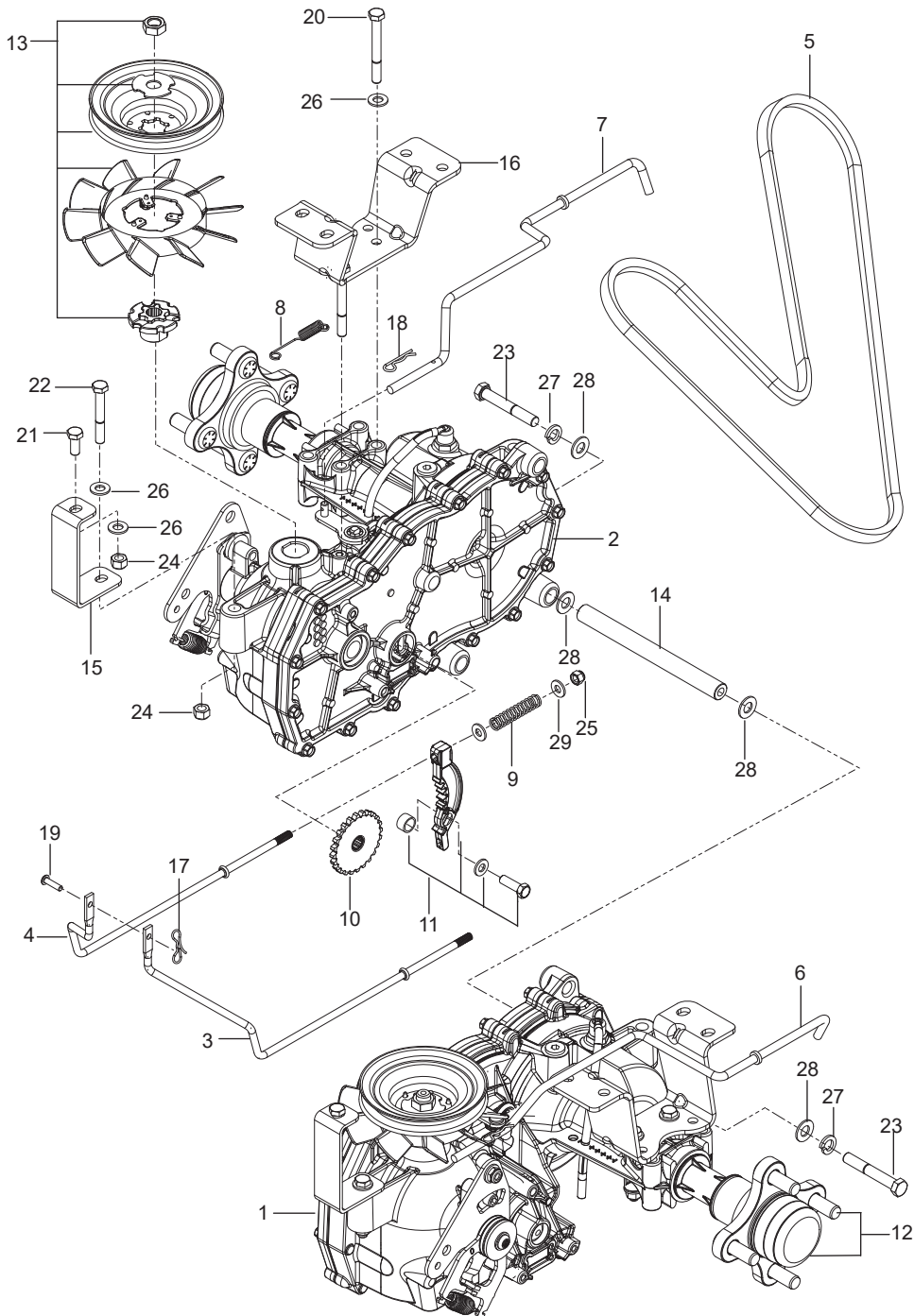
| Ref. | Part No. | Qty | Description | Kit / Assy Includes |
|------|--------------|-----|--|---------------------|
| 1 | 590 48 66-01 | 2 | Assy, Wheel Rear 18 x 9.5 | |
| 2 | 576 58 86-02 | 2 | Wheel Assembly Caster 11 x 6-5 | |
| 3 | 586 65 03-02 | 2 | Yoke Orange | |
| 4 | 539 11 56-38 | 2 | Zerk 3/16 Drive | |
| 5 | 539 10 33-00 | 2 | Zerk | |
| 6 | 539 11 26-60 | 2 | Bearing, Flanged | |
| 7 | 539 11 79-01 | 2 | Bushing, Caster | |
| 8 | 539 10 25-35 | 2 | Grease Cap | |
| 9 | 539 11 57-49 | 2 | Plug, Caster | |
| 10 | 576 58 89-01 | 2 | Spacer, Pivot | |
| 11 | 539 11 57-47 | 2 | Spring, Caster | |
| 12 | 874 95 05-16 | 2 | Bolt, Hex 5/16-18 x 1 Nylon Patch | |
| 13 | 576 60 15-01 | 2 | Bolt 1/2-13 x 7-1/2 Round Hd Square Neck | |
| 14 | 873 93 08-00 | 2 | Nut 1/2-13 Hex Center Lock | |
| 15 | 587 65 39-02 | 8 | Nut 1/2 Lug | |
| 16 | 539 11 56-75 | 2 | Washer | |
| 17 | 819 18 22-12 | 2 | Washer 9/16 | |



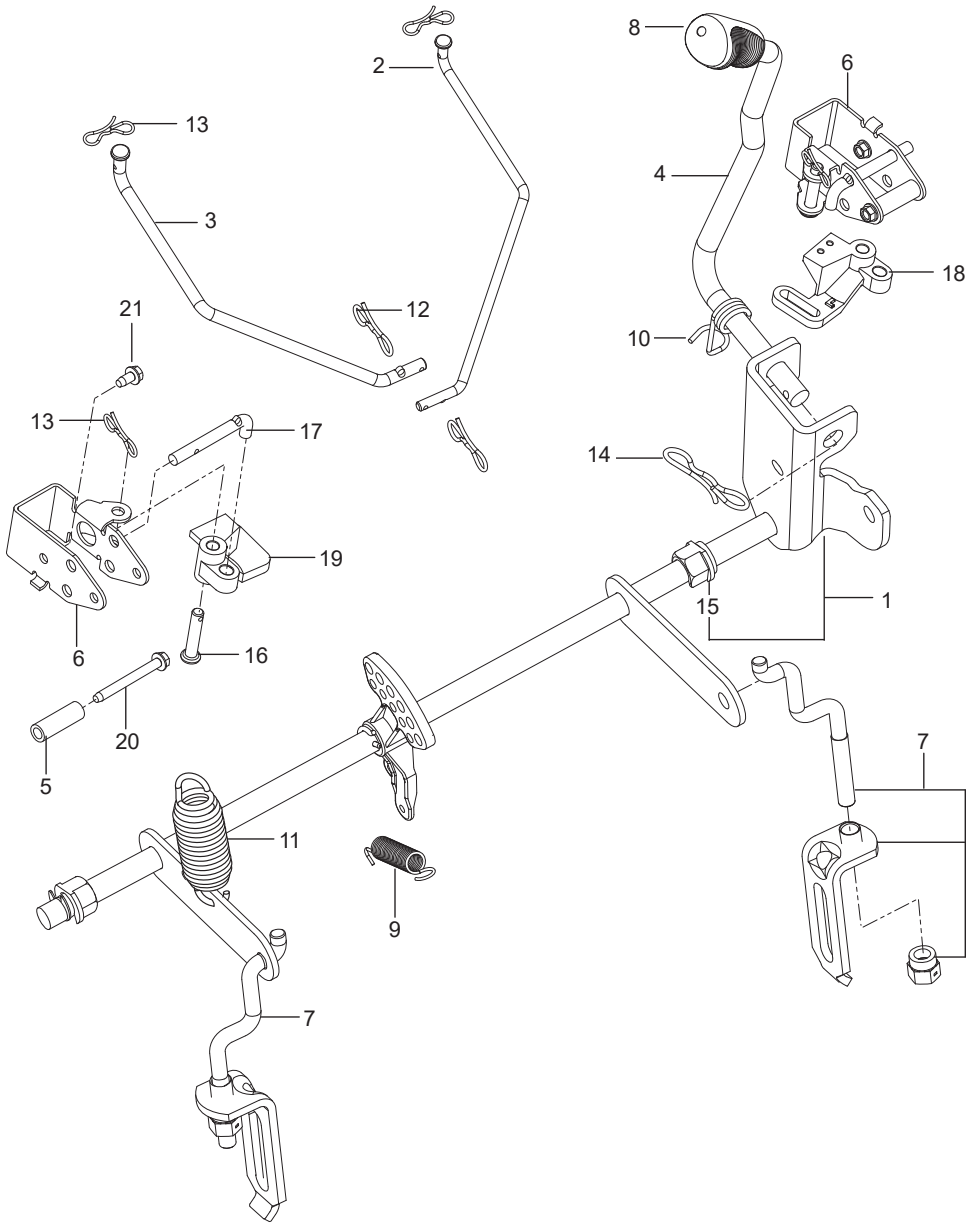
| Ref. | Part No. | Qty | Description | Kit / Assy Includes |
|------|--------------|-----|---------------------------------------|---------------------|
| 1 | 582 31 38-03 | 1 | Lever w/ Grip Right Blk | |
| 2 | 582 31 38-04 | 1 | Lever w/ Grip Left Blk | |
| 3 | 585 12 47-05 | 2 | Bracket, Control | |
| 4 | 539 13 15-18 | 4 | Bearing, Flanged | |
| 5 | 576 14 03-01 | 2 | Control, Lever | |
| 6 | 587 60 17-02 | 2 | Lever, Handle | |
| 7 | 584 92 72-01 | 2 | Spacer, Pivot Control | |
| 8 | 539 10 27-20 | 2 | Dampener | |
| 9 | 581 43 75-01 | 2 | Block, Tracking | |
| 10 | 585 83 16-01 | 2 | Boot, Steering | |
| 11 | 585 48 82-02 | 2 | Flange, Boot | |
| 12 | 588 60 49-01 | 2 | Assy, Right Control Linkage | 14 |
| 13 | 588 60 50-01 | 2 | Assy, Left Control Linkage | 14 |
| 14 | 532 19 98-49 | 2 | Clip, Spring | |
| 15 | 587 60 15-01 | 2 | Switch, Interlock | |
| 16 | 874 78 08-44 | 2 | Bolt 1/2-13 x 2-3/4 Hex Head | |
| 17 | 585 98 61-01 | 2 | Bolt 5/16-18 x 1-1/4 Hex Head | |
| 18 | 874 49 05-12 | 8 | Bolt Hex Flange 5/16-18 x 3/4 | |
| 19 | 539 99 02-09 | 2 | Bolt 5/16-18 x 1 Hex Head | |
| 20 | 587 88 53-01 | 2 | Screw 5/16-18 x 1-3/4 Button Head | |
| 21 | 585 98 59-01 | 4 | Screw 5/16-18 x 1-1/4 Button Head Blk | |
| 22 | 586 93 60-01 | 2 | Screw #10-24 x 1/2 Socket Hd | |
| 23 | 539 10 80-10 | 2 | Nut 1/2-13 Hex Jam Nyloc Grade 2 | |
| 24 | 539 11 28-99 | 10 | Nut 5/16-18 Hex Flange Nyloc | |
| 25 | 585 98 60-01 | 4 | Nut 5/16-18 Hex Nyloc Blk | |
| 26 | 539 99 05-85 | 4 | Nut 5/16-18 Hex Whiz Lock | |
| 27 | 873 80 05-00 | 4 | Nut 5/16-18 Hex Nyloc | |
| 28 | 819 11 11-16 | 4 | Washer 11/32 16 Gauge | |
| 29 | 587 61 42-01 | 2 | Washer 11/32 | |



| Ref. | Part No. | Qty | Description | Kit / Assy Includes |
|------|--------------|-----|-----------------------------|---------------------|
| 1 | 510 37 56-01 | 1 | EZT, Left | |
| 2 | 510 37 56-02 | 1 | EZT, Right | |
| 3 | 574 03 05-01 | 1 | Rod, EZT Brake Left | |
| 4 | 574 03 05-02 | 1 | Rod, EZT Brake Right | |
| 5 | 539 11 04-11 | 1 | Belt, EZT | |
| 6 | 585 47 44-01 | 1 | Rod, Bypass Left | |
| 7 | 585 47 45-01 | 1 | Rod, Bypass Right | |
| 8 | 586 66 51-01 | 2 | Spring, Bypass | |
| 9 | 539 11 03-42 | 2 | Spring, Brake Rod | |
| 10 | 539 12 00-80 | 2 | Cog, Brake Disc | |
| 11 | 539 12 00-79 | 2 | Assembly Kit, Brake Arm | |
| 12 | 575 50 70-01 | 1 | Assembly Kit, Hub w/ Nuts | |
| 13 | 501 40 36-02 | 2 | Assembly Kit, Blade, Pulley | |
| 14 | 510 18 41-04 | 2 | Spacer Tube | |
| 15 | 580 80 65-02 | 2 | Support, EZT Front | |
| 16 | 580 80 66-02 | 2 | Mount, EZT Rear Blk | |
| 17 | 587 22 53-01 | 1 | Clip | |
| 18 | 539 97 69-88 | 4 | Clip | |
| 19 | 587 11 53-01 | 1 | Pin, Clevis | |
| 20 | 874 78 05-44 | 4 | Bolt 5/16-18 x 2-3/4 Hex Hd | |
| 21 | 874 78 05-12 | 2 | Bolt 5/16-18 x 3/4 Hex Hd | |
| 22 | 874 78 05-36 | 2 | Bolt 5/16-18 x 2-1/4 Hex Hd | |
| 23 | 874 78 06-40 | 4 | Bolt 3/8-16 x 2-1/2 Hex Hd | |
| 24 | 873 80 05-00 | 4 | Nut 5/16-18 Hex Nyloc | |
| 25 | 539 97 69-78 | 2 | Nut 1/4-20 Hex Nyloc | |
| 26 | 819 11 11-16 | 16 | Washer 11/32 16 Gauge | |
| 27 | 810 03 06-00 | 4 | Washer 3/8 Split Lock | |
| 28 | 819 13 13-16 | 8 | Washer 3/8 SAE Flat | |
| 29 | 819 09 10-16 | 4 | Washer 1/4 SAE Flat | |



| Ref. | Part No. | Qty | Description | Kit / Assy Includes |
|-----------|--------------|-----|---|---------------------|
| 1 | 585 52 28-01 | 1 | Assembly, Fender, Right Gry | |
| 2 | 586 62 12 01 | 1 | Assembly, Fender, Left Gry | |
| 3 | 589 92 47-01 | 1 | Assembly, Fuel Tank | 23, 24, 25 |
| 4 | 585 12 48-01 | 1 | Cap, Fuel w/ Tether | |
| 5 | 539 11 24-38 | 1 | Cable, Throttle | |
| 6 | 586 88 15-01 | 1 | Control, Choke | |
| 7 | 539 10 75-41 | 1 | Switch, Ignition | |
| 8 | 582 10 76-02 | 1 | Switch, Blade | |
| 9 | 586 10 82-01 | 1 | Cable, Battery Positive | |
| 10 | 539 13 30-49 | 1 | Knob | |
| 11 | 585 52 27-01 | 1 | Panel, Control | |
| 12 | 539 10 24-36 | 1 | Battery | |
| 13 | 510 03 00-03 | 1 | Bracket, Battery | |
| 14 | 582 60 96-02 | 1 | Box, Battery Black | |
| 15 | 532 13 15-63 | 3 | Terminal Cover | |
| 16 | 539 10 27-59 | 1 | Terminal Cover | |
| 17 | 576 61 81-01 | 1 | Valve, Fuel Check | |
| 18 | 539 91 63-25 | 1 | Valve, Fuel | |
| 19 | 586 12 39-06 | 1 | Assembly, Fuel Line w/ Valve | 18, 28, 29, 30 |
| 20 | 582 04 28-01 | 1 | Solenoid | |
| 21 | 587 19 86-01 | 1 | Harness, Battery Cable | |
| 22 | 587 04 45-50 | 1 | Hose 3/16 x 50" Vapor | |
| 23 | 532 00 36-45 | 1 | Grommet, Rubber | |
| 24 | 532 43 74-92 | 1 | Grommet, Check Valve | |
| 25 | 532 13 92-77 | 1 | Elbow | |
| 26 | 586 16 18-01 | 1 | Meter, Service | |
| 27 | 532 14 04-01 | 1 | Key, Ignition | |
| 28 | 532 12 34-87 | 4 | Clamp, Hose | |
| 29 | 587 04 48-10 | 1 | Hose 1/4 x 10" Fuel | |
| 30 | 587 04 48-18 | 1 | Hose 1/4 x 18" Fuel | |
| 31 | 588 83 94-01 | 2 | J Hook | |
| 32 | 532 14 18-41 | 2 | Screw 10-16 x .65 | |
| 33 | 545 22 71-01 | 2 | Screw 6-19 x 7/16 Pan Hd | |
| 34 | 539 11 12-29 | 1 | Screw 1/4-20 x 5/8 Button Socket | |
| 35 | 872 14 05-06 | 2 | Bolt 5/16-18 x 3/4 Round Hd Square Neck | |
| 36 | 539 99 06-45 | 2 | Bolt 3/8-16 x 1 Round Hd Square Neck | |
| 37 | 817 49 04-08 | 2 | Bolt 1/4-20 x 1/2 | |
| 38 | 521 99 65-01 | 2 | Nut 3/8-16 Hex Flange Nyloc | |
| 39 | 539 11 28-99 | 2 | Nut 5/16-18 Flange Nyloc | |
| 40 | 539 97 69-78 | 5 | Nut 1/4-20 Hex Nyloc | |
| NOT SHOWN | | | | |
| | 586 33 73-01 | 1 | Harness, Wiring | |
| | 586 54 81-01 | 1 | Harness., LED Light | |
| | 532 10 97-48 | 1 | Relay 40A | |
| | 505 28 00-01 | 1 | Tie Wrap 8-3/8" w/ Clip | |



| Ref. | Part No. | Qty | Description | Kit / Assy Includes |
|------|--------------|-----|----------------------------------|---------------------|
| 1 | 587 62 31-01 | 1 | Assembly, Shaft w/ Nuts, E-Rings | 15 |
| 2 | 586 45 71-01 | 1 | Link, Brake Left | |
| 3 | 586 45 72-01 | 1 | Link, Brake Right | |
| 4 | 587 62 29-01 | 1 | Assembly, Lift Handle | 9, 11, 14 |
| 5 | 580 48 61-01 | 2 | Spacer | |
| 6 | 585 68 21-02 | 2 | Bracket, Bellcrank | |
| 7 | 587 62 30-01 | 2 | Assembly, Centering Lnk | |
| 8 | 532 44 50-60 | 1 | Grip, Handle Black | |
| 9 | 586 86 76-01 | 1 | Spring | |
| 10 | 532 19 63-14 | 1 | Spring | |
| 11 | 539 11 87-62 | 1 | Spring | |
| 12 | 587 22 53-01 | 4 | Clip | |
| 13 | 532 19 42-09 | 1 | Clip | |
| 14 | 532 19 42-08 | 2 | Clip | |
| 15 | 510 18 49-01 | 2 | Nut, Plastic | |
| 16 | 585 70 14-01 | 2 | Pin 1/2 Clevis | |
| 17 | 585 68 20-01 | 2 | Pushrod | |
| 18 | 586 45 74-01 | 1 | Bellcrank Left | |
| 19 | 586 45 75-01 | 1 | Bellcrank Right | |
| 20 | 586 56 13-01 | 2 | Screw 1/4-20 x 2-1/4 Thread Roll | |
| 21 | 532 13 77-29 | 2 | Screw 1/4-20 x 5/8 Thread Roll | |