



Husqvarna[®]



Parts Manual

MZ54 / 967 696001-00

Please read the operator manual carefully
and make sure you understand the instructions
before using the machine.

Gasoline containing a maximum of 10% ethanol (E10)
is permitted for use in this machine.
The use of gasoline with more than 10% ethanol
(E10) will void the product warranty.



When you need spare parts or support in service questions, warranty issues, etc., please consult the following professional:

| | | |
|---|--------|--------------|
| | | |
| This manual belongs to the machine with the manufacturing number: | Engine | Transmission |

Manufacturing Number

The machine's manufacturing number can be found on the printed plate affixed to the engine compartment.

Stated on the plate, from the top are:

- The machine's type designation (I.D.).
- The manufacturer's type number (Model).
- The machine's serial number (Serial no.)

Please have the type designation and serial number available when ordering spare parts.

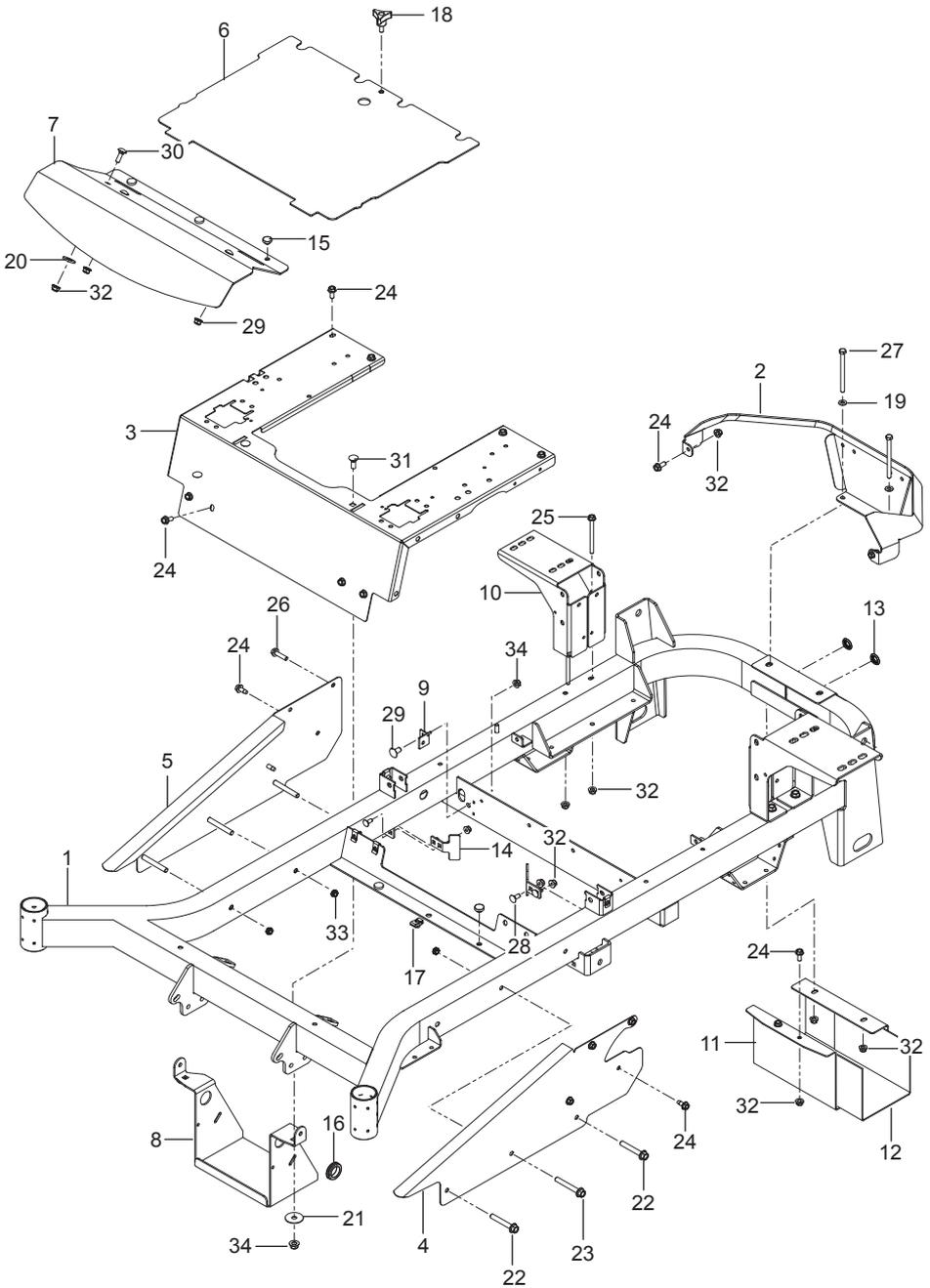
CONTENTS

| | |
|---|----|
| FRAME | 4 |
| ENGINE MOUNTING, GUARDS & MUFFLER | 6 |
| STEERING | 8 |
| IGNITION SYSTEM..... | 10 |
| BRAKE / LIFT | 12 |
| HYDRAULIC PUMP-MOTOR..... | 14 |
| WHEELS & TIRES | 16 |
| MOWER DECK / CUTTING DECK | 18 |
| SEAT | 20 |
| DECALS | 22 |

Illustrations may or may not represent the actual assemblies and it is not recommended to use this manual as a guide to assemble or disassemble the mower.

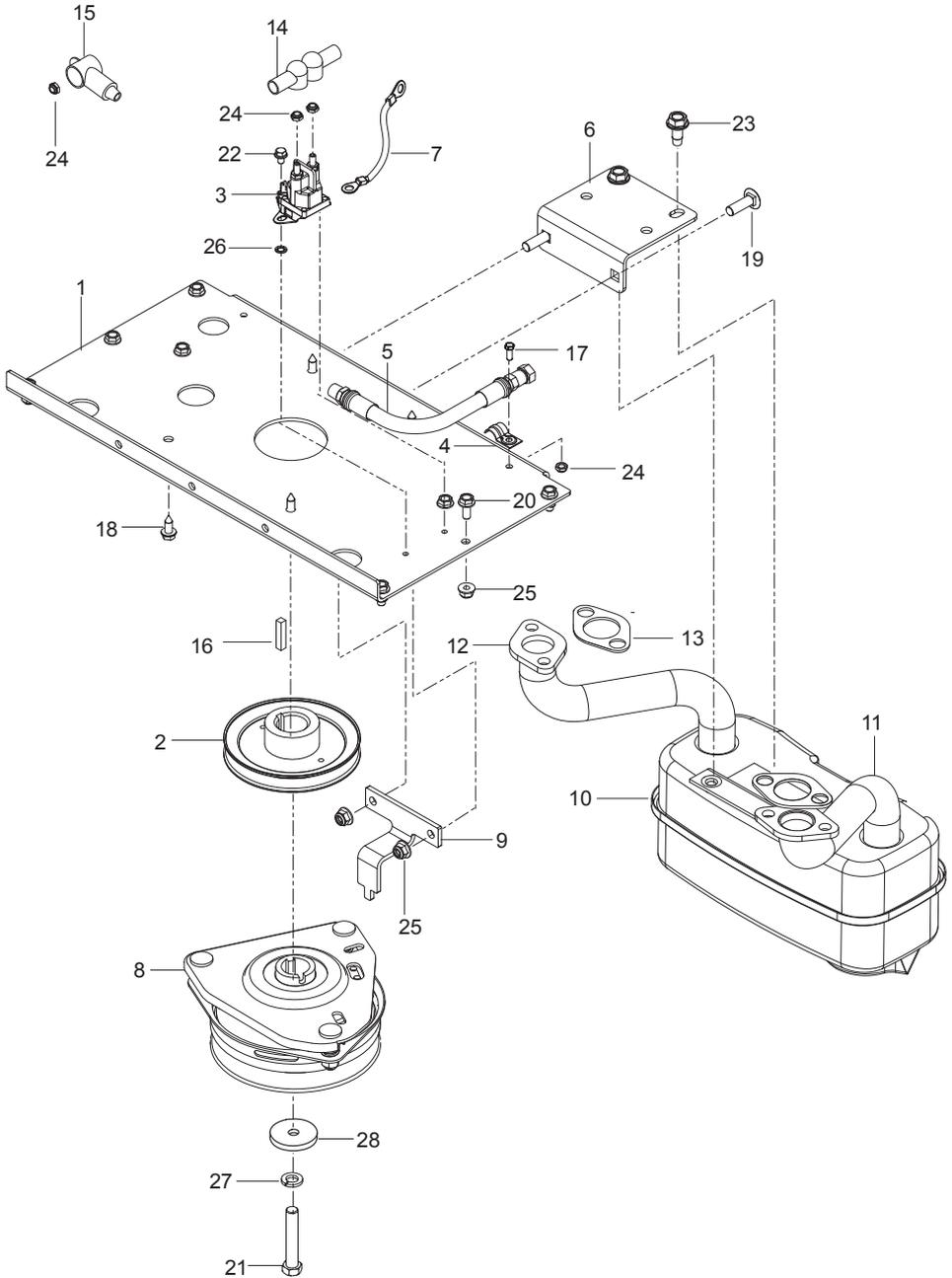
NOTE: All fasteners are Grade 5 unless otherwise specified.

FRAME



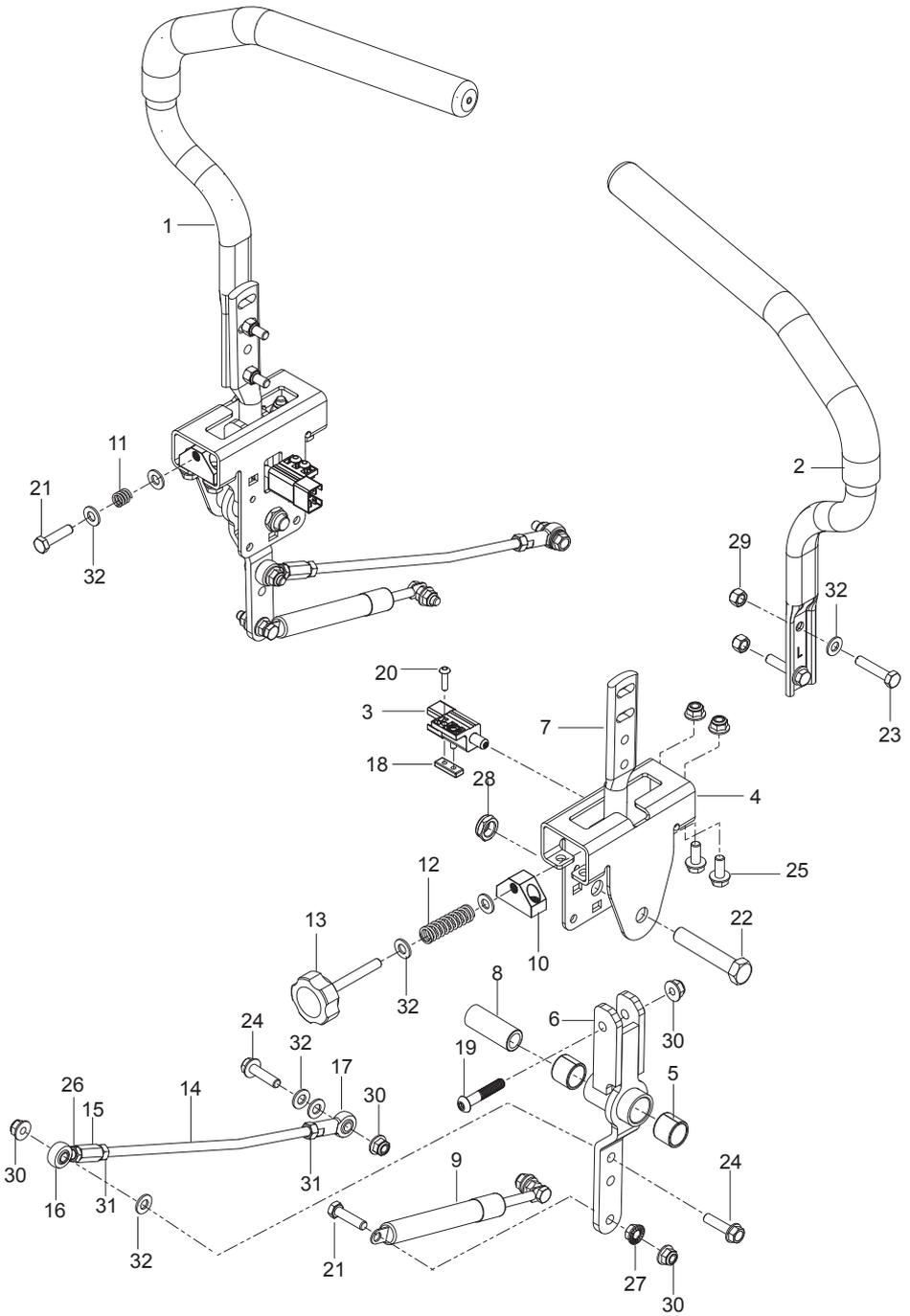
| Ref. | Part No. | Qty | Description | Kit / Assy Includes |
|------|--------------|-----|---|---------------------|
| 1 | 501 65 60-01 | 1 | Frame w/ Safety Decals Org | |
| 2 | 586 89 30-02 | 1 | Guard, Rear Gry | |
| 3 | 586 86 77-02 | 1 | Support, Seat Org | |
| 4 | 539 13 15-77 | 1 | Side, Left Blk | |
| 5 | 539 13 15-79 | 1 | Side, Right Blk | |
| 6 | 539 13 27-44 | 1 | Plate w/ Safety Decal | |
| 7 | 539 13 23-80 | 1 | Plate, Footrest Org | |
| 8 | 587 04 87-02 | 1 | Bracket, Battery Blk | |
| 9 | 575 24 52-02 | 2 | Bracket, Dampener | |
| 10 | 575 53 36-02 | 2 | Mount, Tank Blk | |
| 11 | 575 23 04-02 | 1 | Shield, Muffler Blk | |
| 12 | 539 13 28-59 | 1 | Shield, Heat | |
| 13 | 587 99 05-01 | 2 | Plug, Frame | |
| 14 | 505 25 64-01 | 2 | Stop, Deck | |
| 15 | 539 10 25-87 | 7 | Grommet, Bumper | |
| 16 | 539 10 59-74 | 1 | Grommet, Rubber | |
| 17 | 539 10 47-63 | 1 | Retainer, U Type 5/16-18 | |
| 18 | 539 10 44-11 | 1 | Knob w/ Stud | |
| 19 | 819 11 11-16 | 2 | Washer 5/16 SAE Flat Thick | |
| 20 | 539 99 02-50 | 1 | Washer | |
| 21 | 819 13 24-16 | 2 | Washer 16 Gauge Flat | |
| 22 | 539 13 30-06 | 2 | Bolt 3/8-16 x 2 1/2 Hex Flange Head | |
| 23 | 874 49 06-44 | 2 | Bolt 3/8-16 x 2-3/4 Hex Flange Head | |
| 24 | 874 49 05-12 | 18 | Bolt 5/16-18 x 3/4 Hex Flange Head | |
| 25 | 874 49 05-60 | 4 | Bolt 5/16-18 x 3-3/4 Hex Flange Head | |
| 26 | 525 54 40-01 | 1 | Bolt 5/16-18 x 1-1/4 Hex Flange Head | |
| 27 | 539 10 23-35 | 2 | Bolt 5/16-18 x 4 Hex Head | |
| 28 | 539 99 03-16 | 4 | Bolt 5/16-18 x 3/4 Round Head Square Neck | |
| 29 | 872 05 06-06 | 2 | Bolt 3/8-16 x 3/4 Round Head Square Neck | |
| 30 | 539 99 02-08 | 3 | Bolt 5/16-18 x 1 Round Head Square Neck | |
| 31 | 539 99 06-45 | 2 | Bolt 3/8-16 x 1 Round Head Square Neck | |
| 32 | 539 11 28-99 | 11 | Nut 5/16-18 Hex Flange Nyloc | |
| 33 | 539 20 02-82 | 6 | Nut 3/8-16 Hex Jam Nyloc | |
| 34 | 521 99 65-01 | 4 | Nut 3/8-16 Hex Flange Nyloc | |

ENGINE MOUNTING, GUARDS & MUFFLER



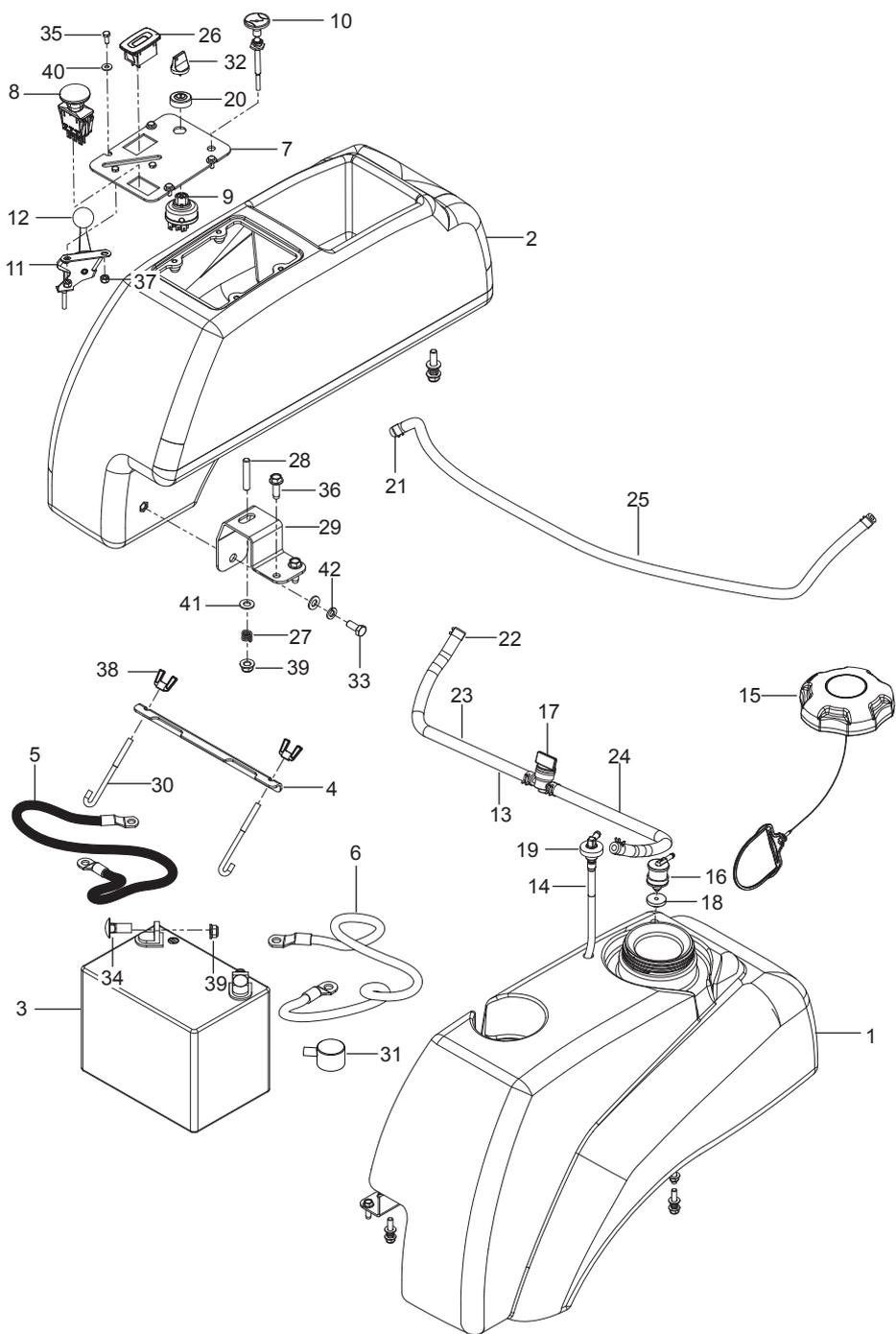
| Ref. | Part No. | Qty | Description | Kit / Assy Includes |
|------|--------------|-----|---|---------------------|
| 1 | 586 65 14-02 | 1 | Plate, Engine, Blk | |
| 2 | 585 81 37-01 | 1 | Pulley, Drive | |
| 3 | 582 04 28 01 | 1 | Solenoid | |
| 4 | 539 10 13-63 | 1 | Clamp | |
| 5 | 584 82 55-01 | 1 | Assy, Drain Hose | |
| 6 | 575 22 99-02 | 1 | Bracket, Muffler | |
| 7 | 539 10 27-57 | 1 | Cable, Positive | |
| 8 | 532 17 93-35 | 1 | Clutch | |
| 9 | 585 81 36-01 | 1 | Stop, Clutch Blk | |
| 10 | 539 13 16-04 | 1 | Muffler | |
| 11 | 583 95 45-01 | 1 | Exhaust Tube, LT | |
| 12 | 583 95 48-01 | 1 | Exhaust Tube, RT | |
| 13 | 586 83 97-01 | 2 | Gasket, Muffler | |
| 14 | 532 13 15-63 | 2 | Insulator | |
| 15 | 539 10 27-59 | 1 | Insulator | |
| 16 | 539 91 27-57 | 1 | Key 1/4 Sq x 1-1/4 | |
| 17 | 539 99 00-71 | 1 | Bolt 1/4-20 x 1/2 Hex Hd | |
| 18 | 817 12 06-16 | 4 | Screw 3/8-16 x 1 Hex Hd Tap | |
| 19 | 539 10 72-71 | 2 | Bolt 5/16-18 x 1 Round Hd Square Neck | |
| 20 | 874 49 05-12 | 8 | Bolt 5/16-18 x 3/4 Hex Flange Hd | |
| 21 | 581 33 28-02 | 1 | Bolt 7/16-20 x 2-1/2 Hex Hd | |
| 22 | 539 99 03-02 | 1 | Screw 1/4-20 x 3/8 Thread Form | |
| 23 | 539 10 74-75 | 2 | Screw 5/16-18 x 3/4 Thread Form | |
| 24 | 539 10 81-20 | 4 | Nut 1/4-20 Hex Thin | |
| 25 | 539 11 28-99 | 10 | Nut 5/16-18 Hex Flange Nyloc | |
| 26 | 539 99 00-53 | 1 | Washer 1/4 Internal Tooth Lock | |
| 27 | 539 99 02-47 | 1 | Washer 7/16 Slotted | |
| 28 | 539 10 65-04 | 1 | Washer, Harden | |
| | Not Shown | | | |
| | 532 19 83-16 | 1 | Pigtail | |
| | ----- | | Engine, Kohler KT-740 25 Hp For Engine replacement parts, See Kohler dealer | |

STEERING



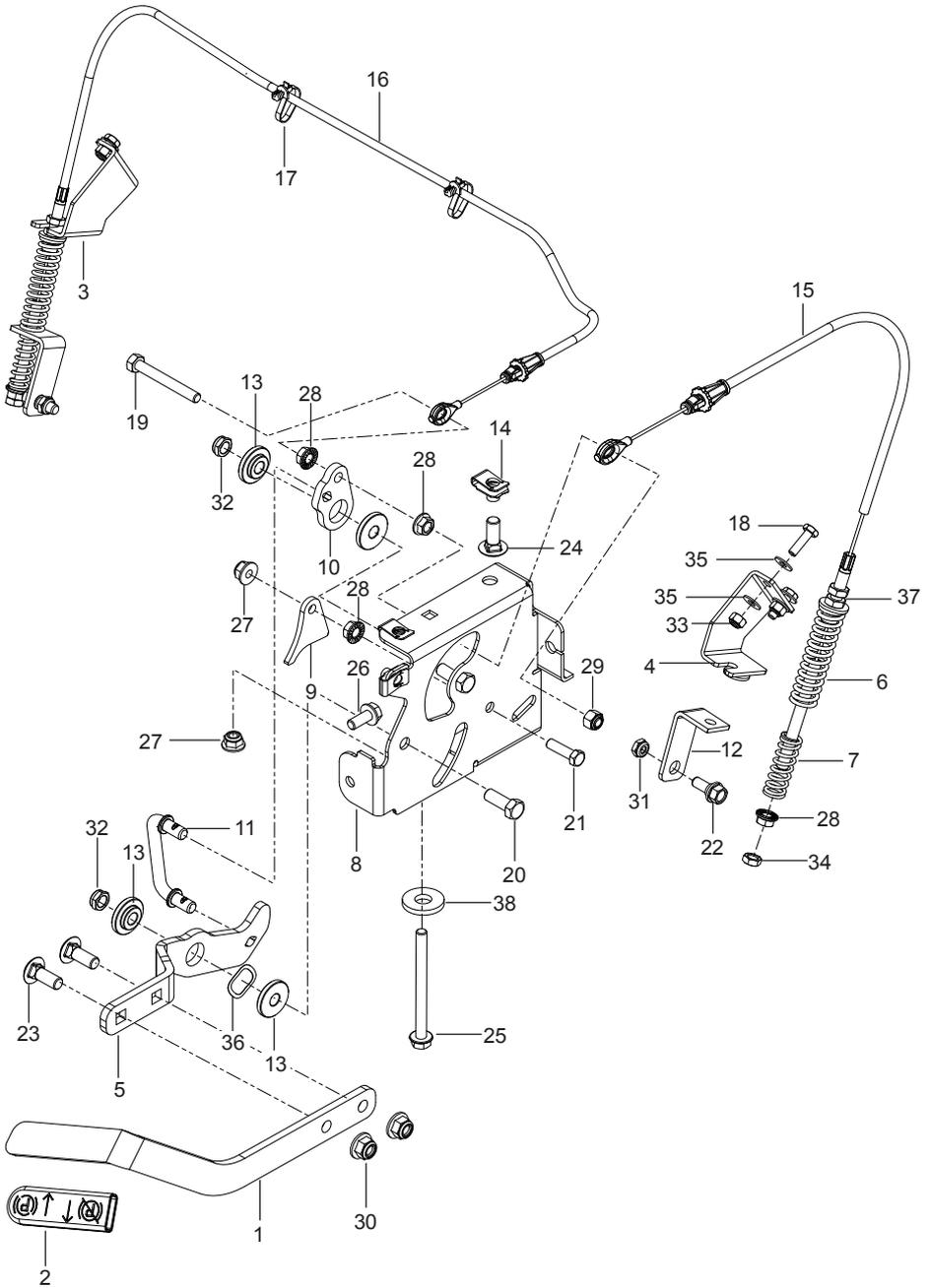
| Ref. | Part No. | Qty | Description | Kit / Assy Includes |
|------|--------------|-----|----------------------------------|---------------------|
| 1 | 590 09 08-03 | 1 | Lever w/ Grip Right Blk | |
| 2 | 590 09 08-04 | 1 | Lever w/ Grip Left Blk | |
| 3 | 532 10 95-53 | 2 | Switch, Interlock | |
| 4 | 585 12 47-05 | 2 | Bracket, Control | |
| 5 | 532 43 82-82 | 4 | Bearing | |
| 6 | 587 18 77 01 | 2 | Lever, Control | |
| 7 | 577 42 00-01 | 2 | Lever, Handle | |
| 8 | 584 92 72-01 | 2 | Spacer, Pivot Control | |
| 9 | 539 10 27-20 | 2 | Dampener | |
| 10 | 581 43 75-01 | 2 | Block, Tracking | |
| 11 | 539 10 28-45 | 1 | Spring | |
| 12 | 576 85 03-01 | 1 | Spring | |
| 13 | 539 13 17-99 | 1 | Knob | |
| 14 | 574 81 14-01 | 2 | Rod, Motion Control | |
| 15 | 539 11 66-89 | 2 | Coupler, Rod End | |
| 16 | 588 69 25 02 | 2 | Rod End Left | |
| 17 | 579 76 46-01 | 2 | Rod End Right | |
| 18 | 581 22 30-01 | 2 | Plate, Nut | |
| 19 | 576 85 04-02 | 2 | Screw 5/16-18 x 1-3/4 Button Hd | |
| 20 | 574 82 27-01 | 4 | Screw #10-24 x 3/4 Socket Hd | |
| 21 | 874 78 05-20 | 5 | Bolt 5/16-18 x 1-1/4 Hex Hd | |
| 22 | 874 78 08 44 | 2 | Bolt 1/2-13 x 2-3/4 Hex Hd | |
| 23 | 539 97 69-35 | 4 | Bolt 5/16-18 x 1-1/2 Hex Hd | |
| 24 | 525 54 40-01 | 4 | Bolt 5/16-18 x 1-1/4 Tap | |
| 25 | 874 49 05 12 | 8 | Bolt 5/16-18 x 3/4 Hex Flange Hd | |
| 26 | 539 99 10-73 | 2 | Nut 15/16-24 Hex Jam Nyloc | |
| 27 | 539 99 05-85 | 4 | Nut 5/16-18 Hex Whiz Lock | |
| 28 | 539 10 80-10 | 2 | Nut 1/2-13 Hex Jam Nyloc Grade 2 | |
| 29 | 539 99 07-17 | 4 | Nut 5/16-18 Hex Nyloc | |
| 30 | 539 11 28-99 | 10 | Nut 5/16-18 Hex Flange Nyloc | |
| 31 | 539 99 02-23 | 4 | Nut 15/16-24 Hex | |
| 32 | 819 11 11-16 | 14 | Washer 5/16 SAE Flat | |

IGNITION SYSTEM



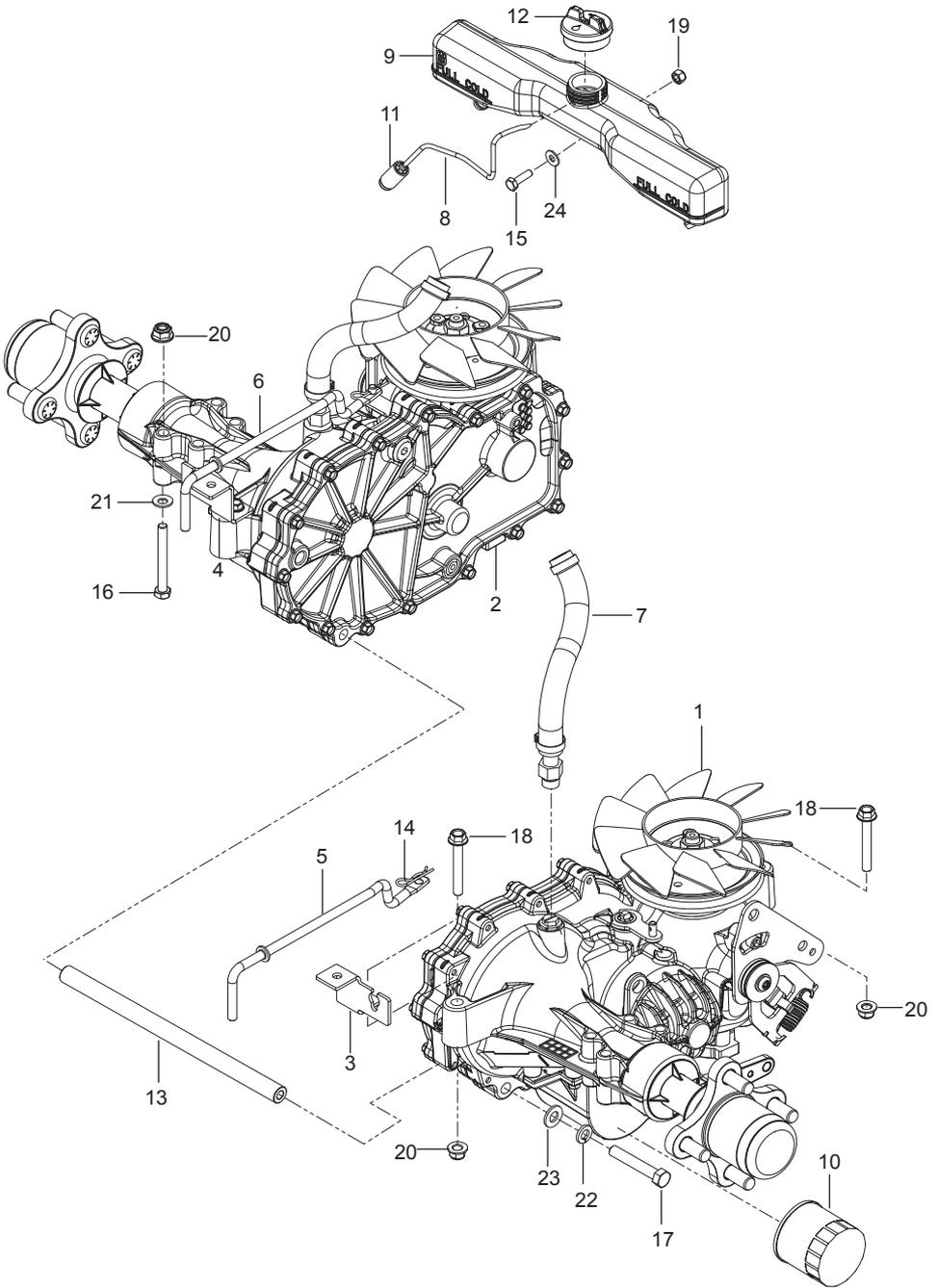
| Ref. | Part No. | Qty | Description | Kit / Assy Includes |
|------|--------------|-----|---|---------------------|
| 1 | 539 10 75-93 | 1 | Assembly, Tank Left Gry | 14, 15, 16, 18, 19 |
| 2 | 585 72 23-03 | 1 | Console, Right Gry | |
| 3 | 539 10 24-36 | 1 | Battery | |
| 4 | 588 10 72-01 | 1 | Bracket, Battery Mount | |
| 5 | 588 03 08-01 | 1 | Cable, Battery Neg Blk | |
| 6 | 588 03 07-01 | 1 | Cable, Battery Pos Red | |
| 7 | 574 84 12-04 | 1 | Plate, Console, Blk | |
| 8 | 582 10 76-02 | 1 | Switch, Blade Switch | |
| 9 | 574 45 54-01 | 1 | Switch, Ignition w/ Washer, Nut | |
| 10 | 539 11 34-58 | 1 | Control, Choke | |
| 11 | 539 10 27-32 | 1 | Control, Throttle | |
| 12 | 539 13 30-49 | 1 | Knob | |
| 13 | 586 12 39-01 | 1 | Assembly, Fuel Hose | 17, 22, 23, 24 |
| 14 | 576 46 92-01 | 1 | Fitting, Fuel | |
| 15 | 575 01 81-01 | 1 | Fuel Cap w /Tether | |
| 16 | 576 61 81-01 | 1 | Valve, Fuel Check | |
| 17 | 539 91 63-25 | 1 | Valve, Fuel Shut Off | |
| 18 | 576 61 82-01 | 1 | Grommet, Check Valve | |
| 19 | 539 10 52-45 | 1 | Grommet, Rubber | |
| 20 | 539 10 31-78 | 1 | Nutcap, Switch | |
| 21 | 575 43 65-01 | 2 | Clamp 3/16"Hose | |
| 22 | 532 12 34-87 | 4 | Clamp 1/4" Hose | |
| 23 | 587 04 48-10 | 1 | Hose 1/4" Fuel 10" | |
| 24 | 587 04 48-26 | 1 | Hose 1/4" Fuel 26" | |
| 25 | 587 04 45-39 | 1 | Hose 3/16" Vapor 39" | |
| 26 | 586 16 18-01 | 1 | Meter, Service | |
| 27 | 539 10 28-45 | 6 | Spring | |
| 28 | 539 10 25-02 | 6 | Stud, Tank | |
| 29 | 588 84 32-02 | 2 | Support, Tank Blk | |
| 30 | 510 06 40-01 | 2 | Hook, J | |
| 31 | 532 43 53-95 | 1 | Cover, Terminal | |
| 32 | 574 45 55-01 | 1 | Key | |
| 33 | 539 97 69-34 | 2 | Bolt 5/16-18 x 3/4 Hex Head | |
| 34 | 539 99 03-16 | 2 | Bolt 5/16-18 x 3/4 Round Head Square Neck | |
| 35 | 539 99 04-11 | 6 | Screw #10-24 x 1/2 Slotted Hex Head | |
| 36 | 817 49 05-16 | 3 | Screw 5/16-18 x 1 Washer Head | |
| 37 | 539 97 69-77 | 2 | Nut #10-24 Hex Nylon Ring | |
| 38 | 539 99 09-97 | 2 | Nut 1/4-20 Wing Nut Nyloc | |
| 39 | 539 11 28-99 | 13 | Nut 5/16-18 Hex Flange Nyloc | |
| 40 | 819 07 08-18 | 4 | Washer 1/2 18 Gauge | |
| 41 | 819 11 11-16 | 8 | Washer 5/16 SAE Flat | |
| 42 | 539 99 01-87 | 2 | Washer, Slotted Lock | |
| | Not Shown | | | |
| | 587 69 01-08 | 1 | Harness, Wiring | |

BRAKE / LIFT



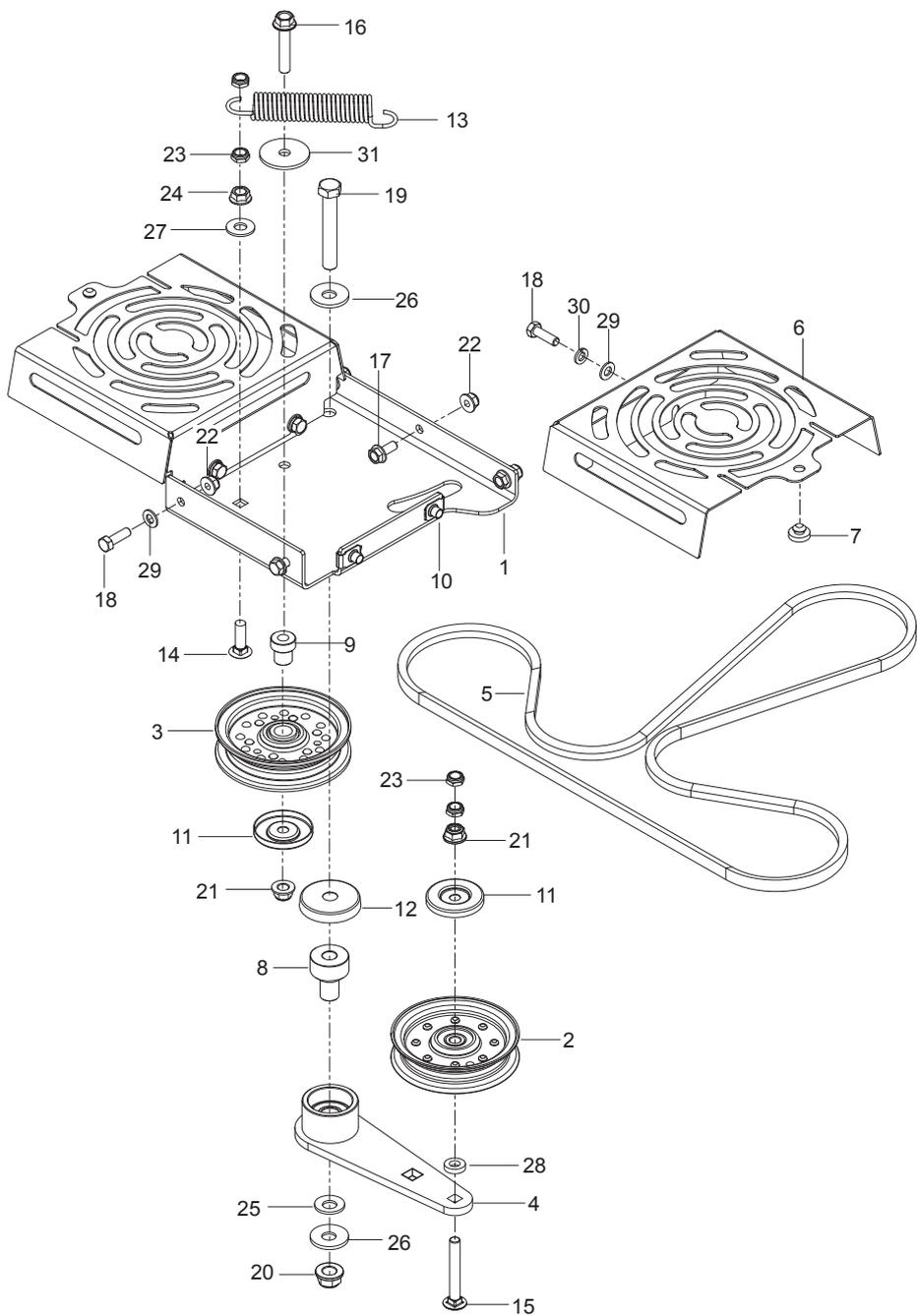
| Ref. | Part No. | Qty | Description | Kit / Assy Includes |
|------|--------------|-----|--------------------------------------|---------------------|
| 1 | 539 13 21-51 | 1 | Arm, Brake | |
| 2 | 539 10 50-36 | 1 | Grip, Brake Handle | |
| 3 | 575 22 96-02 | 1 | Bracket, Right Blk | |
| 4 | 575 22 97-02 | 1 | Bracket, Left Blk | |
| 5 | 586 73 88-02 | 1 | Lever, Brake | |
| 6 | 575 23 02-01 | 2 | Spring, Return | |
| 7 | 575 23 03-01 | 2 | Spring, Engagement | |
| 8 | 586 83 00-02 | 1 | Mount, Brake | |
| 9 | 539 13 21-54 | 1 | Actuator, Switch | |
| 10 | 539 13 21-53 | 1 | Bellcrank, Brake | |
| 11 | 539 13 24-24 | 1 | Linkage, Brake | |
| 12 | 575 22 98-02 | 2 | Bracket, Brake | |
| 13 | 539 13 21-61 | 4 | Bushing, Brake | |
| 14 | 539 10 47-63 | 3 | Retainer, U Type 5/16-18 | |
| 15 | 582 12 18-01 | 1 | Cable, Brake Short | |
| 16 | 582 12 20 01 | 2 | Cable, Brake Long | |
| 17 | 505 28 00-01 | 2 | Tie Wrap w/ Clip | |
| 18 | 539 99 06-43 | 4 | Bolt 1/4-20 x 7/8 Hex Hd | |
| 19 | 539 10 83-96 | 1 | Bolt 5/16-18 x 2-1/2 Hex Hd Tap | |
| 20 | 539 99 05-63 | 2 | Bolt 3/8-16 x 1 Hex Hd | |
| 21 | 539 99 02-09 | 1 | Bolt 5/16-18 x 1 Hex Hd | |
| 22 | 539 11 03-03 | 2 | Bolt 5/16 Shoulder | |
| 23 | 539 99 06-45 | 2 | Bolt 3/8-16 x 1 Round Hd Square Neck | |
| 24 | 539 99 03-16 | 1 | Bolt 5/16-18 x 3/4 | |
| 25 | 539 13 17-80 | 1 | Bolt 5/16-18 x 3-3/4 Hex Flange Hd | |
| 26 | 874 49 05-12 | 1 | Bolt 5/16-18 x 3/4 Hex Flange Hd | |
| 27 | 539 11 28-99 | 2 | Nut 5/16-18 Hex Flange Nyloc | |
| 28 | 539 99 05-85 | 5 | Nut 5/16-18 Hex Whiz Lock | |
| 29 | 539 99 07-17 | 1 | Nut 5/16-18 Hex Nyloc | |
| 30 | 521 99 65-01 | 2 | Nut 3/8-16 Hex Flange Nyloc | |
| 31 | 539 11 56-17 | 2 | Nut 5/16 Hex Nyloc | |
| 32 | 539 20 02-82 | 2 | Nut 3/8-16 Hex Jam Nyloc | |
| 33 | 539 97 69-78 | 4 | Nut 1/4-20 Hex Nyloc | |
| 34 | 539 10 78-97 | 2 | Nut 5/16-18 Hex Jam | |
| 35 | 539 99 00-55 | 8 | Washer 1/4 SAE Flat | |
| 36 | 539 13 30-07 | 1 | Washer, Wave | |
| 37 | 539 99 01-22 | 2 | Washer 3/8 SAE | |
| 38 | 819 18 22-12 | 1 | Washer 1/2 Flat | |
| | Not Shown | | | |
| | 532 19 78-02 | 1 | Switch, Brake | |

HYDRAULIC PUMP-MOTOR



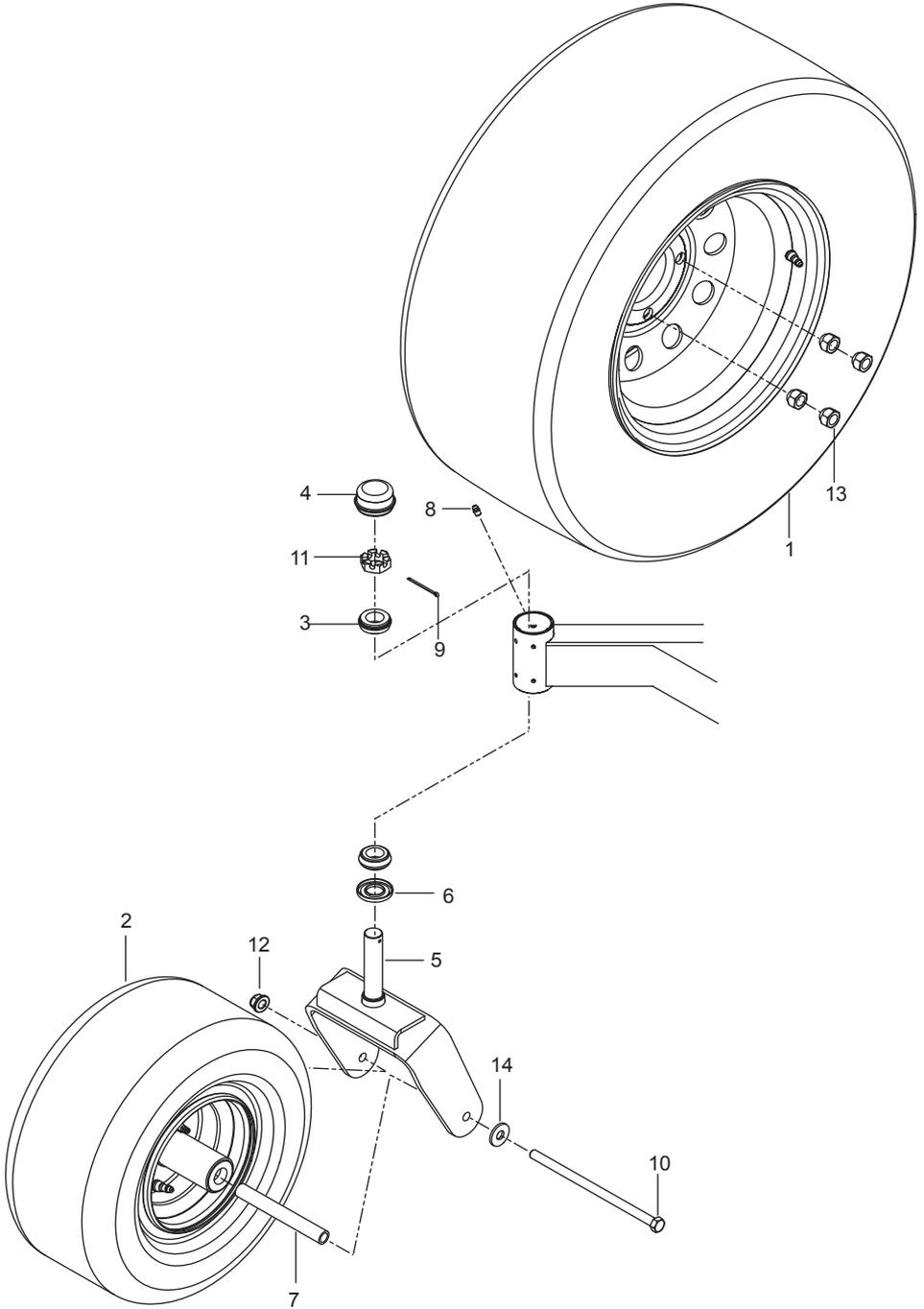
| Ref. | Part No. | Qty | Description | Kit / Assy Includes |
|------|--------------|-----|------------------------------------|---------------------|
| 1 | 577 22 77-02 | 1 | Trans, ZT-3100, Left | |
| 2 | 577 22 77-01 | 1 | Trans, ZT-3100, Right | |
| 3 | 575 01 71-02 | 1 | Bracket, Trans, Left | |
| 4 | 575 01 70-02 | 1 | Bracket, Trans, Right | |
| 5 | 539 13 16-16 | 1 | Linkage, Bypass Left | |
| 6 | 539 13 16-18 | 1 | Linkage, Bypass Right | |
| 7 | 574 89 21-01 | 2 | Hose, Expansion | |
| 8 | 586 06 75-01 | 1 | Hose, Fuel | |
| 9 | 585 31 82-01 | 1 | Assy, Expansion Tank | 8, 11, 12 |
| 10 | 539 11 34-66 | 2 | Filter, Hydro | |
| 11 | 530 09 56-46 | 1 | Filter | |
| 12 | 586 07 27-01 | 1 | Cap, Tank | |
| 13 | 574 86 85-01 | 1 | Tube, Spacer | |
| 14 | 539 97 69-88 | 2 | Pin | |
| 15 | 539 99 06-43 | 1 | Bolt 1/4-20 x 7/8 Hex Hd | |
| 16 | 874 78 05-44 | 4 | Bolt 5/16-18 x 2-3/4 Hex Hd | |
| 17 | 539 10 85-51 | 2 | Bolt 3/8-16 x 2-1/2 Hex Hd Grade 8 | |
| 18 | 574 23 38-01 | 4 | Bolt 5/16-18 x 2-1/4 Hex Flange Hd | |
| 19 | 539 97 69-78 | 1 | Nut 1/4-20 Hex Nyloc | |
| 20 | 539 11 28-99 | 8 | Nut 5/16-18 Hex Flange Nyloc | |
| 21 | 819 11 11-16 | 4 | Washer 5/16 SAE Flat | |
| 22 | 539 99 01-18 | 2 | Washer 3/8 Split Lock | |
| 23 | 539 99 01-22 | 2 | Washer 3/8 SAE Flat | |
| 24 | 539 99 00-55 | 1 | Washer 1/4 SAE Flat | |

HYDRAULIC PUMP DRIVE



| Ref. | Part No. | Qty | Description | Kit / Assy Includes |
|------|--------------|-----|--|---------------------|
| 1 | 586 67 04-02 | 1 | Plate, Idler Support, Blk | |
| 2 | 539 97 66-88 | 1 | Pulley, Idler | |
| 3 | 532 17 58 20 | 1 | Pulley, Idler Secondary | |
| 4 | 510 04 16-03 | 1 | Arm, Idler w/ Bearings | |
| 5 | 574 87 09-01 | 1 | Belt | |
| 6 | 584 99 42-02 | 2 | Cover, Fan | |
| 7 | 539 10 25-87 | 2 | Grommet, Bumper | |
| 8 | 510 20 63-01 | 1 | Pivot, Bearing | |
| 9 | 525 43 56-01 | 1 | Pivot, Idler | |
| 10 | 539 10 47-63 | 4 | Retainer, U Type 5/16-18 | |
| 11 | 510 25 45-01 | 2 | Shield, Dust | |
| 12 | 539 11 46-62 | 1 | Shield, Dust | |
| 13 | 510 25 44-01 | 1 | Spring, Pump | |
| 14 | 872 14 06-10 | 1 | Bolt 3/8-16 x 1-1/4 Round Hd Square Neck | |
| 15 | 539 13 02-35 | 1 | Bolt 3/8-16 x 2-3/4 Round Hd Square Neck | |
| 16 | 874 49 06-32 | 1 | Bolt 3/8-16 x 2 Hex Flange Hd | |
| 17 | 874 49 05-12 | 3 | Bolt 5/16-18 x 3/4 Hex Flange Hd | |
| 18 | 539 99 02-09 | 6 | Bolt 5/16-18 x 1 Hex Hd | |
| 19 | 874 78 08-52 | 1 | Bolt 1/2-13 x 3-1/4 Hex Hd | |
| 20 | 521 99 11-01 | 1 | Nut 1/2-13 Hex Flange Nyloc | |
| 21 | 521 99 65-01 | 2 | Nut 3/8-16 Hex Flange Nyloc | |
| 22 | 539 11 28-99 | 5 | Nut 5/16-18 Hex Flange Nyloc | |
| 23 | 539 20 02-82 | 4 | Nut 3/8-16 Hex Jam Nyloc | |
| 24 | 539 99 06-13 | 1 | Nut 3/8-16 Hex Whiz Lock | |
| 25 | 539 11 55-28 | 1 | Washer 1/2 Belleville | |
| 26 | 819 18 22-12 | 2 | Washer 1/2 Flat | |
| 27 | 819 14 16-14 | 1 | Washer 3/8 Flat | |
| 28 | 539 10 95-62 | 1 | Washer 3/8 x 3/4 Thick | |
| 29 | 819 11 11-16 | 6 | Washer 5/16 SAE Flat | |
| 30 | 539 99 01-87 | 4 | Washer 5/16 Slotted Lock | |
| 31 | 539 11 18-97 | 1 | Washer, Special | |

WHEELS & TIRES

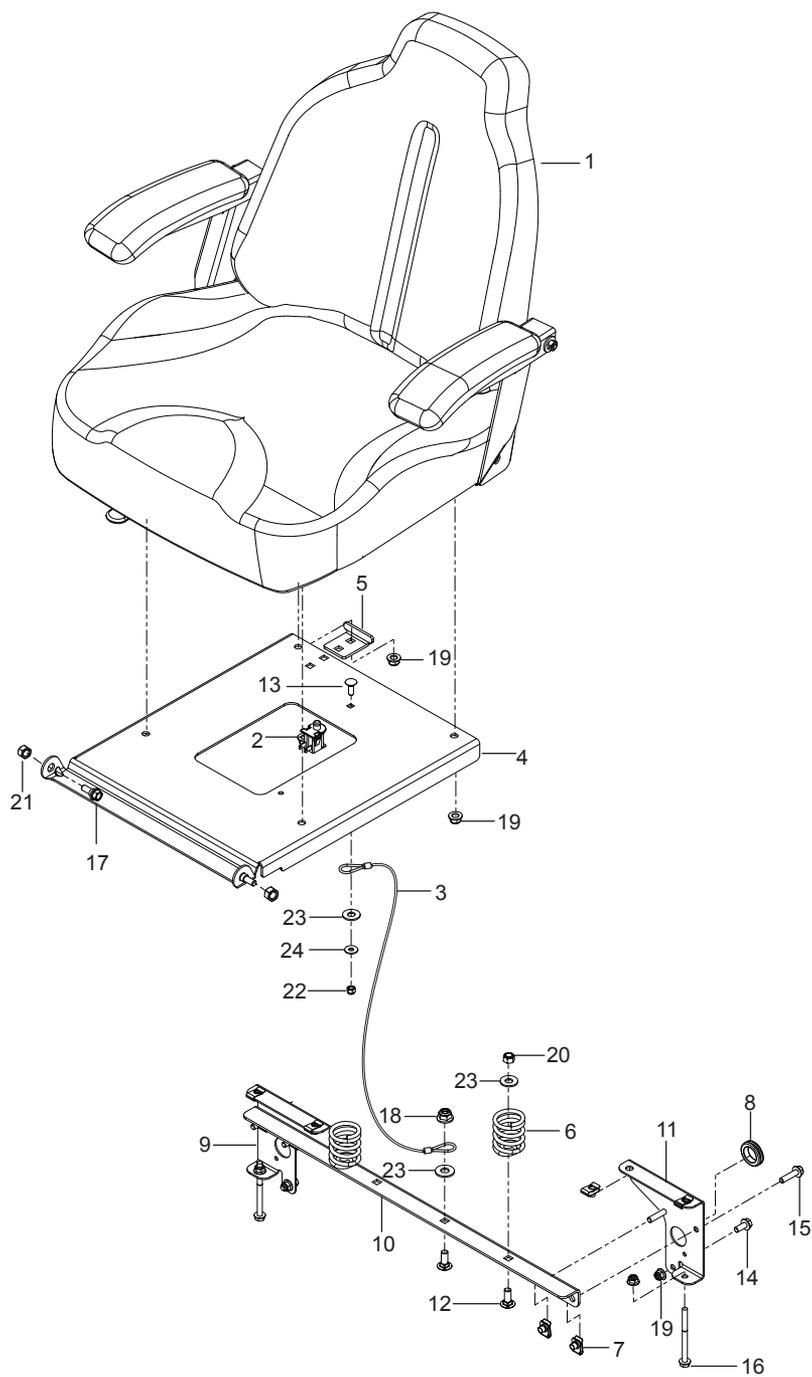


| Ref. | Part No. | Qty | Description | Kit / Assy Includes |
|------|--------------|-----|-----------------------------|---------------------|
| 1 | 580 74 70-01 | 2 | Assembly, Wheel 22 x 10-10 | |
| | 582 74 63-01 | 2 | Tire, 22 x 10-10 | |
| 2 | 581 19 95-01 | 2 | Assembly, Wheel 13 x 6.5-6 | |
| 3 | 539 10 25-43 | 4 | Bearing | |
| 4 | 539 10 25-35 | 2 | Cap, Grease | |
| 5 | 586 92 19-02 | 2 | Yoke, Caster Org | |
| 6 | 539 10 28-51 | 2 | Seal | |
| 7 | 575 33 49-01 | 2 | Spacer, Pivot | |
| 8 | 539 10 14-74 | 2 | Zerk | |
| 9 | 539 10 28-89 | 2 | Pin 1/8 x 2 Cotter | |
| 10 | 539 10 55-17 | 2 | Bolt 1/2-13 x 9-1/2 Hex Hd | |
| 11 | 539 10 28-52 | 2 | Nut 1-14 Slotted Jam | |
| 12 | 873 80 08-00 | 2 | Nut 1/2-13 Hex Flange Nyloc | |
| 13 | 587 65 39-02 | 8 | Nut 1/2-20 Lug Grade 8 | |
| 14 | 819 18 22-12 | 2 | Washer 1/2 Flat | |

| Ref. | Part No. | Qty | Description | Kit / Assy Includes |
|------|--------------|-----|--------------------------------------|---------------------|
| 1 | 510 40 83-01 | 1 | Pedal, Foot | |
| 2 | 539 11 08-08 | 2 | Link, Deck Lift | |
| 3 | 586 70 17-01 | 2 | Spacer, Idler | |
| 4 | 539 13 18-61 | 1 | Spacer | |
| 5 | 586 92 87-02 | 1 | Shaft, Front Lift Blk | |
| 6 | 584 39 27-02 | 2 | Plate, Reinforcement | |
| 7 | 539 13 18-97 | 1 | Bellcrank, Rear, Lift Blk | |
| 8 | 539 13 18-53 | 1 | Bellcrank, Rear, Right Blk | |
| 9 | 588 81 21-02 | 1 | Bracket, Suspension Left | |
| 10 | 588 81 20-02 | 1 | Bracket, Suspension Right | |
| 11 | 539 13 15-66 | 1 | Latch, Transport | |
| 12 | 539 10 50-59 | 1 | Lanyard | |
| 13 | 539 13 17-91 | 1 | Mount, Spring | |
| 14 | 532 19 51-61 | 4 | Stud w/ Anti-Rotate | |
| 15 | 539 13 17-92 | 1 | Tab, Spring | |
| 16 | 539 11 28-96 | 1 | J-Bolt | |
| 17 | 539 10 26-42 | 1 | Spring | |
| 18 | 539 13 27-34 | 1 | Spring, Torsion | |
| 19 | 539 13 18-50 | 1 | Height Adjust, Deck | |
| 20 | 539 13 18-60 | 1 | Pivot Latch, Transport | |
| 21 | 539 10 48-08 | 4 | Pillow Block | |
| 22 | 539 13 21-82 | 1 | Pin 1/2 x 1-1/2 Detent Ring | |
| 23 | 539 13 28-51 | 1 | Grip | |
| 24 | 539 11 55-01 | 4 | Pin 1-3/4 Cotter | |
| 25 | 532 19 42-09 | 2 | Pin 7/16 Cotter Bowtie | |
| 26 | 874 78 06-48 | 1 | Bolt 3/8-16 x 3 Hex Head | |
| 27 | 539 99 06-46 | 1 | Bolt 1/2-13 x 1 Hex Head | |
| 28 | 874 78 05-44 | 4 | Bolt 5/16-18 x 2-3/4 Hex Head | |
| 29 | 539 10 81-81 | 2 | Bolt 1/2-13 x 1-3/4 Hex Head Grade 8 | |
| 30 | 539 99 05-63 | 4 | Bolt 3/8-16 x 1 Hex Head | |
| 31 | 539 11 28-99 | 5 | Nut 5/16-18 Hex Flange Nyloc | |
| 32 | 539 97 69-79 | 4 | Nut 3/8-16 Hex Nyloc | |
| 33 | 873 80 08-00 | 2 | Nut 1/2-13 Hex Nyloc | |
| 34 | 873 90 05-00 | 2 | Nut 5/16-18 Hex Flange Lock | |
| 35 | 539 20 02-82 | 2 | Nut 3/8-16 Hex Jam Nyloc | |
| 36 | 873 90 06-00 | 4 | Nut 3/8-16 Hex Flange Lock | |
| 37 | 819 14 16-14 | 1 | Washer 3/8 Flat | |
| 38 | 539 11 55-28 | 1 | Washer 7/16 Spring | |
| 39 | 539 10 95-54 | 2 | Washer 1/2 Flat | |
| 40 | 819 19 19-12 | 2 | Washer | |
| 41 | 539 99 10-43 | 10 | Washer 5/8 | |

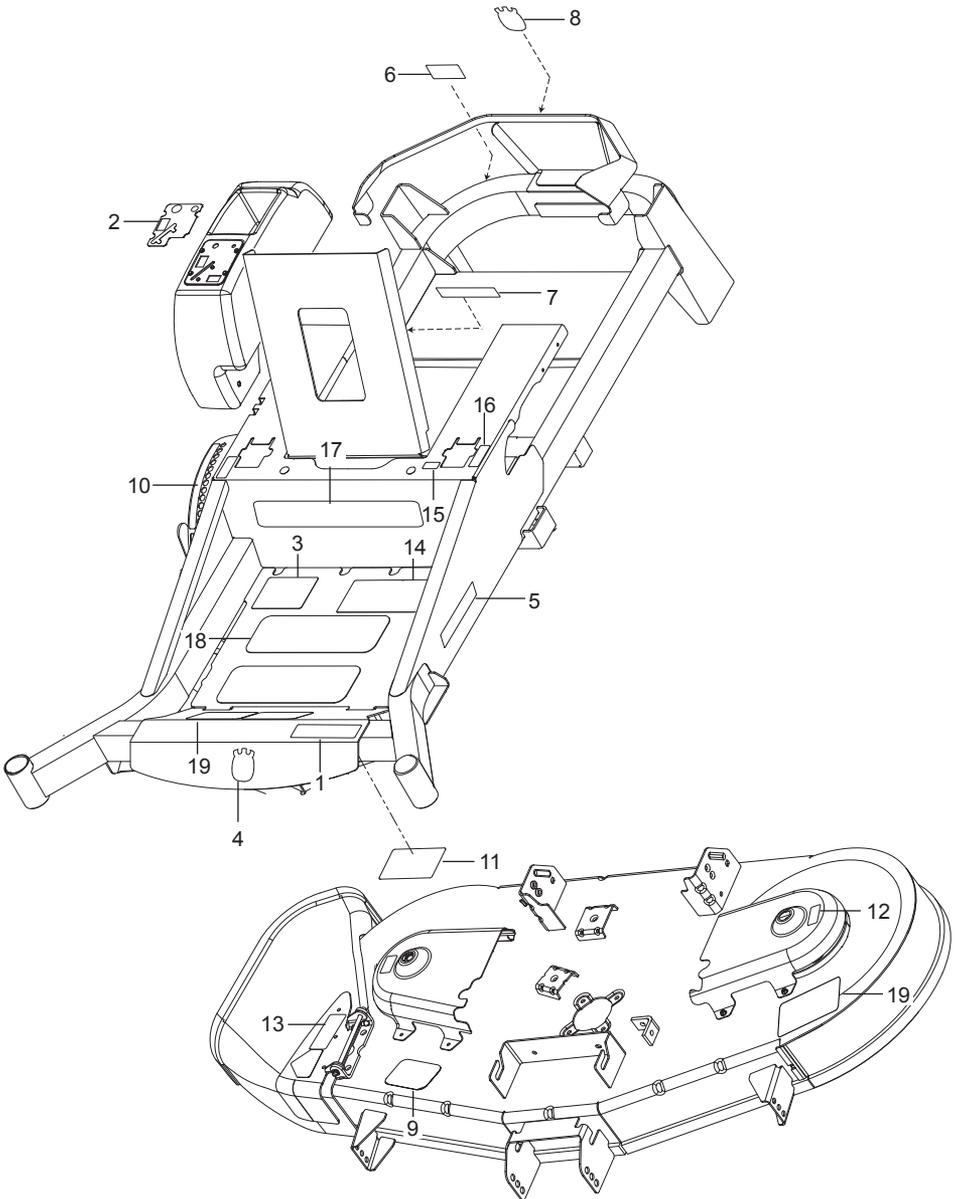
| Ref. | Part No. | Qty | Description | Kit / Assy Includes |
|------|--------------|-----|--|---------------------|
| 1 | 582 77 32-02 | 1 | Deck Blk | |
| 2 | 592 95 18-01 | 1 | Belt 54" Deck | |
| 3 | 582 06 25-01 | 3 | Blade, Hi-lift | |
| 4 | 590 30 44-02 | 1 | Belt Shield, Left Org | |
| 5 | 590 30 42-02 | 1 | Belt Shield, Right Org | |
| 6 | 539 11 21-70 | 3 | Mandrel, Aluminum | |
| 7 | 574 16 96-01 | 4 | Wheel, Gauge | |
| 8 | 532 19 73-79 | 2 | Pulley Idler | |
| 9 | 532 19 73-80 | 1 | Pulley Idler | |
| 10 | 532 17 57-08 | 3 | Pulley, Mandrel | |
| 11 | 590 63 22-01 | 1 | Deflector 54" Org | |
| 12 | 532 13 14-91 | 1 | Rod, Hinge | |
| 13 | 532 11 04-85 | 1 | Bearing | |
| 14 | 532 18 72-91 | 1 | Shaft | |
| 15 | 582 21 96-02 | 1 | Arm, Idler | |
| 16 | 532 19 81-85 | 2 | Arm, Suspension | |
| 17 | 532 41 55-98 | 1 | Port, Washout | |
| 18 | 532 41 64-05 | 1 | Coupling, Quick Connect | |
| 19 | 587 35 47-01 | 1 | Spring, Deflector | |
| 20 | 532 19 72-51 | 1 | Spring, Extension | |
| 21 | 532 17 62-05 | 4 | Trunnion | |
| 22 | 574 19 64-01 | 2 | Tube, Roller Axle | |
| 23 | 574 19 65-01 | 1 | Tube, Roller Axle Long | |
| 24 | 590 73 25-01 | 1 | Bumper | |
| 25 | 588 78 33-01 | 4 | Link | |
| 26 | 589 81-33-01 | 3 | Plug, Hole Blk | |
| 27 | 532 11 04-52 | 1 | Pushnut | |
| 28 | 510 02 23-01 | 2 | Bolt 1/2-13 x 4-3/4 Round Hd Square Neck | |
| 29 | 872 14 08-64 | 1 | Bolt 1/2-13 x 8 Round Hd Square Neck | |
| 30 | 872 11 06-16 | 1 | Bolt 3/8-16 x 2 Round Hd Square Neck | |
| 31 | 532 17 01-65 | 2 | Bolt 5/16 Shoulder | |
| 32 | 584 95 39-01 | 12 | Bolt 5/16-18 x 1-1/4 Hex Washer Hd | |
| 33 | 532 19 65-39 | 6 | Bolt, Shoulder | |
| 34 | 539 11 55-74 | 1 | Bolt Eye 5/16 x 3-1/2 | |
| 35 | 532 19 30-03 | 3 | Bolt/Washer 7/16-20 | |
| 36 | 532 13 77-29 | 9 | Screw 1/4-20 x 5/8 Thread Roll | |
| 37 | 817 49 06-28 | 1 | Screw 3/8-16 x 1-3/4 Hex Thread Form | |
| 38 | 588 43 83-01 | 1 | Screw 7/16-14 x 2-1/8 Washer Hd | |
| 39 | 521 99 11-01 | 3 | Nut 1/2-13 Hex Flange Nyloc | |
| 40 | 873 90 06-00 | 1 | Nut 3/8-16 Hex Flange Lock | |
| 41 | 532 40 02-44 | 4 | Nut 3/8-16 Hex Flange Lock | |
| 42 | 539 99 05-85 | 2 | Nut 5/16-18 Hex Whizlock | |
| 43 | 532 40 02-34 | 3 | Nut 9/16 Top Center Lock | |
| 44 | 532 18 76-90 | 3 | Washer Spacer | |
| 45 | 532 17 85-15 | 1 | Washer, Flat Hardened | |

SEAT



| Ref. | Part No. | Qty | Description | Kit / Assy Includes |
|------|--------------|-----|--|---------------------|
| 1 | 501 58 04-02 | 1 | Assembly, Seat | 2 |
| 2 | 539 11 97-41 | 1 | Switch, Seat | |
| 3 | 539 10 32-47 | 1 | Lanyard, Seat | |
| 4 | 501 76 21-02 | 1 | Mount, Seat Org | |
| 5 | 539 13 07-94 | 1 | Deck Stop Blk | |
| 6 | 587 61 33-01 | 2 | Spring, Seat Blk | |
| 7 | 539 10 47-63 | 8 | Retainer, U Type | |
| 8 | 539 10 59-74 | 1 | Grommet Rubber | |
| 9 | 584 99 02-02 | 1 | Support, Left Blk | |
| 10 | 584 80 91-02 | 1 | Support, Seat Blk | |
| 11 | 584 99 01-02 | 1 | Support, Right Blk | |
| 12 | 539 99 06-45 | 3 | Bolt 3/8-16 x 1 Round Hd Square Neck | |
| 13 | 539 11 56-20 | 1 | Bolt 1/4-20 x 3/4 Round Hd Square Neck | |
| 14 | 874 49 05-12 | 2 | Bolt 5/16-18 x 3/4 Hex Flange Hd | |
| 15 | 525 54 40-01 | 4 | Bolt 5/16-18 x 1-1/4 Hex Flange Hd | |
| 16 | 874 49 05-60 | 2 | Bolt 5/16-18 x 3-3/4 Hex Flange Hd | |
| 17 | 539 13 08-96 | 2 | Bolt 5/16-18 Shoulder | |
| 18 | 521 99 65-01 | 1 | Nut 3/8-16 Hex Flange Nyloc | |
| 19 | 539 11 28-99 | 11 | Nut 5/16-18 Hex Flange Nyloc | |
| 20 | 539 97 69-79 | 2 | Nut 3/8-16 Hex Nyloc | |
| 21 | 873 80 05-00 | 2 | Nut 5/16-18 Hex Nyloc | |
| 22 | 539 97 69-78 | 1 | Nut 1/4-20 Hex Nyloc | |
| 23 | 819 14 16-14 | 4 | Washer 3/8 Std Flat | |
| 24 | 819 09 12-16 | 1 | Washer 1/4 Flat | |

DECALS



| Ref. | Part No. | Qty | Description | Kit / Assy Includes |
|------|--------------|-----|--------------------------|---------------------|
| 1 | 592 91 79-01 | 1 | Decal, MZ 54 | |
| 2 | 574 84 11-03 | 1 | Decal, Console | |
| 3 | 586 34 25-01 | 1 | Decal, Start | |
| 4 | 532 42 86-76 | 2 | Decal, Crown H 4" | |
| 5 | 532 42 91-96 | 2 | Decal, Husqvarna | |
| 6 | 539 10 57-44 | 1 | Decal, Danger Belt Drive | |
| 7 | 539 10 57-45 | 1 | Decal, Battery Warning | |
| 8 | 574 45 50-01 | 1 | Decal, Crown H 6" | |
| 9 | 591 16 39-01 | 1 | Decal, Belt Routing | |
| 10 | 539 13 20-39 | 1 | Decal, Height Adjust | |
| 11 | 539 13 21-87 | 1 | Decal, Service | |
| 12 | 589 35 79-01 | 2 | Decal, No Step | |
| 13 | 586 97 88-01 | 1 | Decal, Deflector | |
| 14 | 590 48 55-01 | 1 | Decal, Warning | |
| 15 | 585 14 26 01 | 2 | Decal, Tracking | |
| 16 | 589 28 30-01 | 2 | Decal, Motion Control | |
| 17 | 591 35 74-01 | 1 | Decal, Logo | |
| 18 | 539 97 77-78 | 2 | Pad, Abrasive Large | |
| 19 | 539 12 13-22 | 3 | Pad, Abrasive Small | |



www.husqvarna.com

2017-10-01