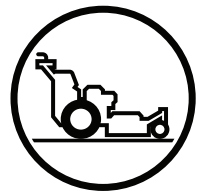




Husqvarna[®]



Parts Manual

W548 / 967657701

W552 / 967657801

Please read the operator manual carefully and make sure you understand the instructions before using the machine.

Gasoline containing a maximum of 10% ethanol (E10) is permitted for use in this machine. The use of gasoline with more than 10% ethanol (E10) will void the product warranty.



When you need spare parts or support in service questions, warranty issues, etc., please consult the following professional:

This manual belongs to the machine with the manufacturing number:	Engine	Transmission

Manufacturing Number

The machine's manufacturing number can be found on the printed plate affixed to the engine compartment.

Stated on the plate, from the top are:

- The machine's type designation (I.D.).
- The manufacturer's type number (Model).
- The machine's serial number (Serial no.)

Please have the type designation and serial number available when ordering spare parts.

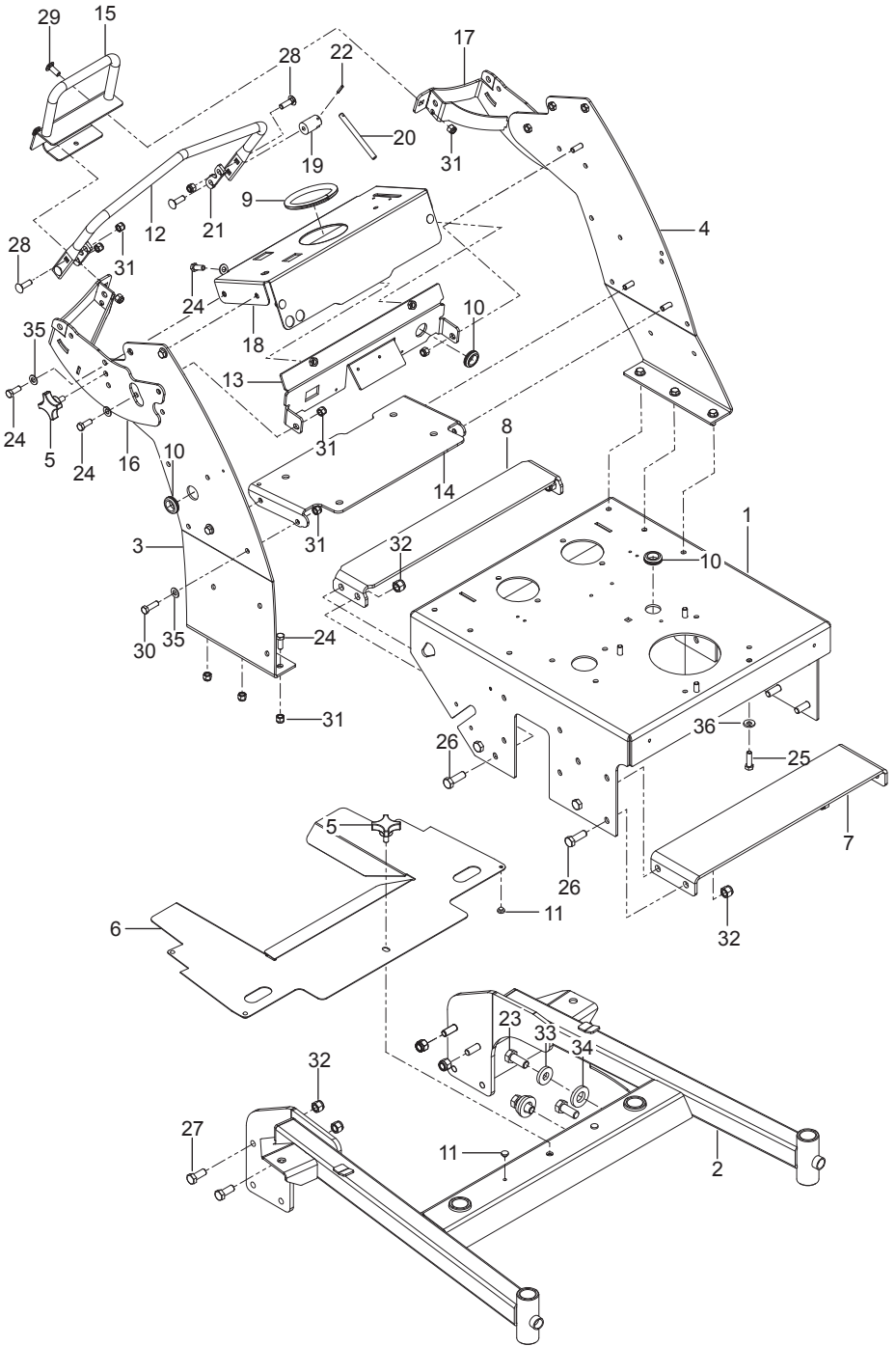
CONTENTS

FRAME.....	4
ENGINE MOUNTING, GUARDS & MUFFLER	6
PARK BRAKE.....	8
CONTROLS.....	10
IGNITION SYSTEM.....	12
HYDRAULIC PUMP-MOTOR.....	14
WHEELS & TIRES	16
MOWER DECK / CUTTING DECK	18
Deck 48" Pulleys and Guards	
MOWER DECK / CUTTING DECK	20
Deck 52" Pulleys and Guards	
HEIGHT ADJUSTMENT	22
Mower Decks	
DECALS	24

Illustrations may or may not represent the actual assemblies and it is not recommended to use this manual as a guide to assemble or disassemble the mower.

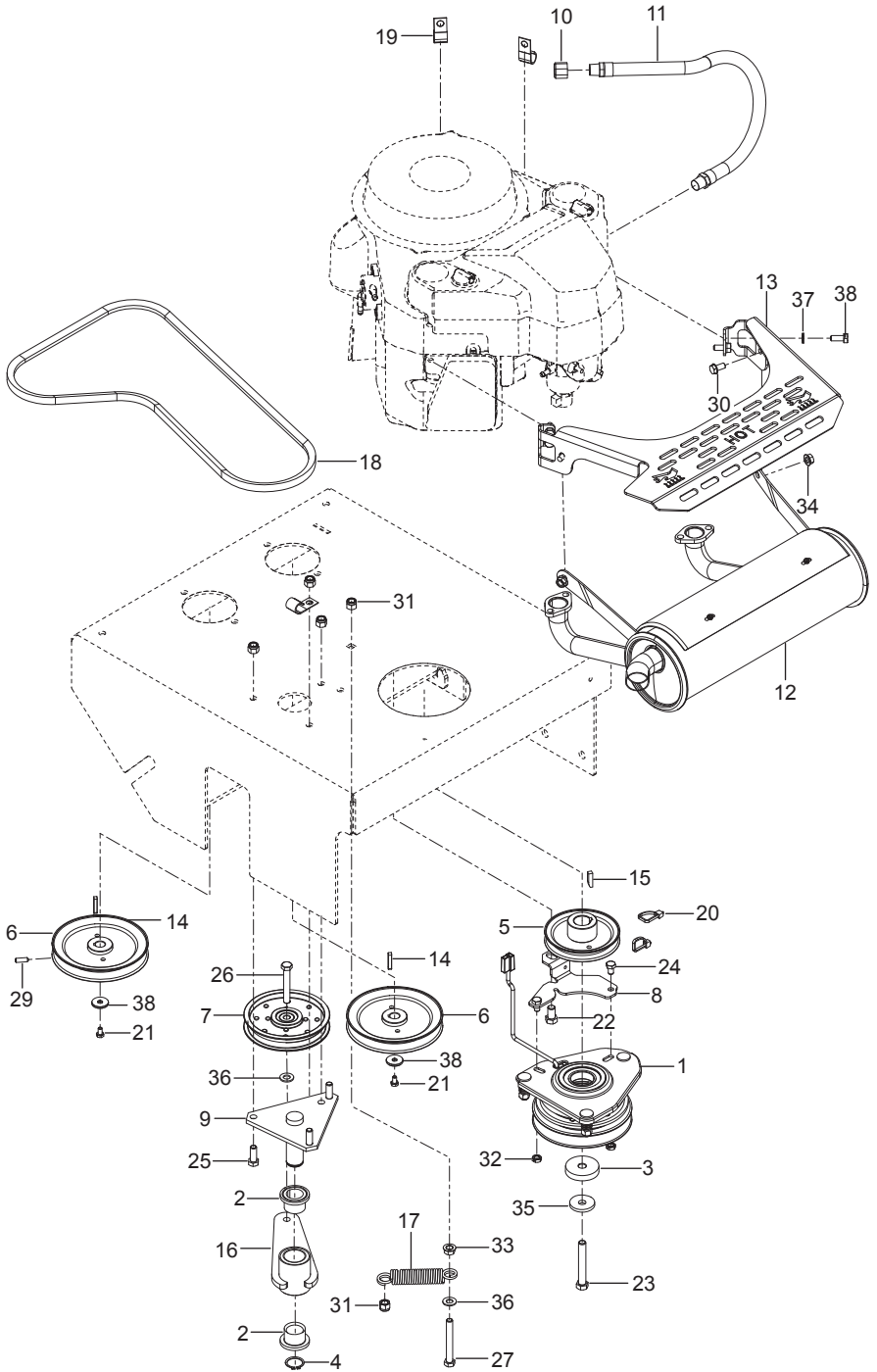
NOTE: All fasteners are Grade 5 unless otherwise specified.

FRAME



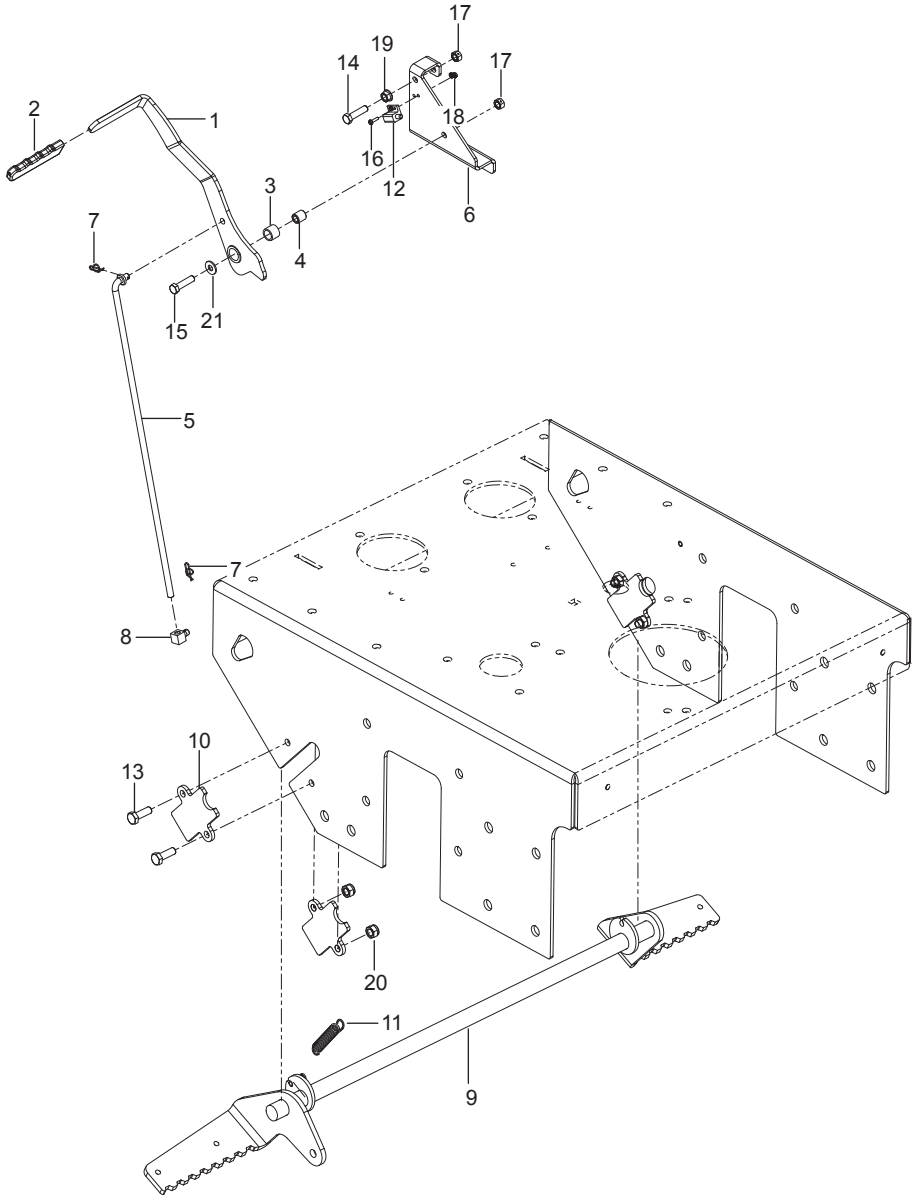
Ref.	Part No.	Qty	Description
1	592 77 98-01	1	Frame w/ Decals
2	592 77 12-01	1	Frame, Front 48"
	592 77 12-02	1	Frame, Front 52"
3	592 78 63-01	1	Side, Right
4	592 78 66-01	1	Side, Left
5	588 06 99-01	3	Knob 3/8-16 x 3/4
6	592 76 92-01	1	Shield, Belt 48"
	592 76 92-02	1	Shield, Belt 52"
7	592 76 41-01	1	Plate, Engine Bed Front Org
8	592 76 42-01	1	Plate, Engine Bed Rear Org
9	592 76 18-01	1	Trim, Rubber
10	588 06 88-04	3	Grommet, Rubber
11	588 06 66-01	6	Grommet, Rubber
12	592 76 34-01	1	Handle, Support Org
13	592 77 18-01	1	Brace, Handle Org
14	592 77 30-01	1	Bracket, Fuel Tank
15	592 77 21-01	1	Bar, Reverse Org
16	592 77 22-01	1	Mount, Right Control
17	592 77 23-01	1	Mount, Left Control
18	592 77 99-01	1	Console w/ Decals
19	588 06 68-05	1	Base, Lock Lever
20	592 78 05-01	1	Lever, Lock
21	592 76 43-01	2	Shim
22	592 77 43-01	1	Pin, Spring
23	588 06 47-29	3	Bolt 5/8-11 x 1-1/2 Hex Head Grade 8
24	588 06 47-08	17	Bolt .38-16 x 1 Hex Head
25	588 06 47-09	4	Bolt .38-16 x 1-1/4 Hex Head Torq
26	592 81 60-01	8	Bolt 1/2-13 x 1-1/2 Hex Head
27	588 06 47-15	4	Bolt 1/2-13 x 1-1/4 Hex Head
28	501 09 54-01	4	Bolt .38-16 x 1-1/4 Round Head Square Neck
29	588 06 47-21	2	Bolt .38-16 x 1 Round Head Square Neck
30	501 10 13-01	4	Bolt .38-16 x 1-1/4 Hex Head
31	501 09 98-01	17	Nut .38-16 Hex Nyloc
32	592 81 88-01	12	Nut 1/2-13 Hex Nyloc
33	588 07 32-13	2	Washer .630 Fl Stl
34	592 81 54-01	2	Washer .905 x 1-3/4 x 1/4
35	588 07 32-10	14	Washer .406 x.812 x.065 Fl Stl
36	588 07 32-02	4	Washer, Spring Disc

ENGINE MOUNTING, GUARDS & MUFFLER



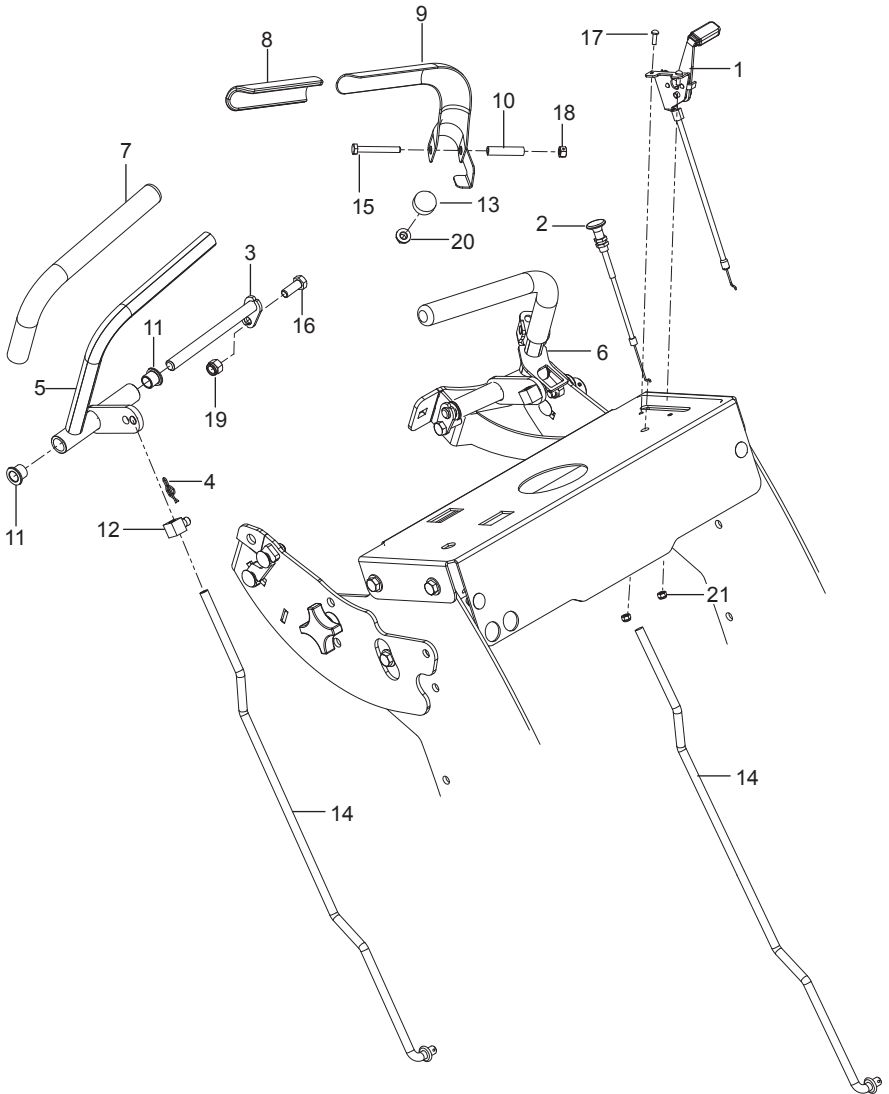
Ref.	Part No.	Qty	Description
1	588 06 78-01	1	Clutch
2	588 06 50-01	2	Bearing 1 x 1-1/4 x 1 Flange
3	588 07 22-01	1	Spacer
4	592 77 42-01	1	Snap Ring
5	592 77 50-01	1	Pulley, V Belt
6	592 77 51-01	2	Pulley, V Belt
7	592 78 18-01	1	Pulley, Flat 4-1/2 x 3/8 w/ Bearing
8	592 76 24-01	1	Plate, Clutch
9	592 77 10-01	1	Mount, Idler Pivot
10	588 07 09-01	1	Cap, Pipe
11	588 06 85-01	1	Drain, Oil
12	592 76 53-01	1	Muffler
13	592 77 32 01	1	Shield, Muffler
14	592 76 27-01	2	Key, Round
15	588 22 83-01	1	Key 1/4 x 1/4 x .995
16	592 78 06-01	1	Arm, Idler
17	592 78 08-01	1	Spring, Extension
18	592 78 17-01	1	Belt
19	588 07 07-01	4	Clip
20	592 72 84-01	2	Tie, Cable 8-1/2
21	588 22 80-01	2	Bolt M6 x 1 x 10 Hex Head
22	592 81 55-01	1	Bolt .44-14 x 3/4 Hex Head
23	588 06 47-01	1	Bolt .44-20 x 3 Hex Head Grade 8
24	592 81 56-01	2	Bolt .31-18 x 1/2 Hex Head
25	588 06 47-08	3	Bolt .38-16 x 1 Hex Head
26	588 06 47-30	1	Bolt .38-16 x 2-1/2 Hex Head
27	592 81 66-01	1	Bolt .38-16 x 3 Hex Head
28	592 81 64-01	4	Bolt M8 x 1.25 x 20 Hex Head
29	592 81 67-01	4	Screw 1/4-20 x 3/4 Set
30	588 07 16-01	2	Screw M8 x 1 x 1.25 x 16 Hex Flange Head
31	501 09 98-01	5	Nut .38-16 Hex Nyloc
32	592 81 87-01	2	Nut .31-18 Lock Center Jam
33	592 81 92-01	2	Nut .375-16 Whiz Lock Flange
34	588 07 03-02	2	Nut M8 x 1.25 Flange Lock
35	588 07 32-02	1	Washer, Spring Disc
36	588 07 32-10	3	Washer .406 x.812 x.065 FI Stl
37	588 07 32-17	4	Washer .31 x .078 Lock
38	592 81 78-01	2	Washer 1/4 Heavy Flat
	NOT SHOWN		
	-----	1	Engine, Kawasaki FS600 18.5 HP For Engine Replacement Parts, See a Kawasaki Dealer

PARK BRAKE



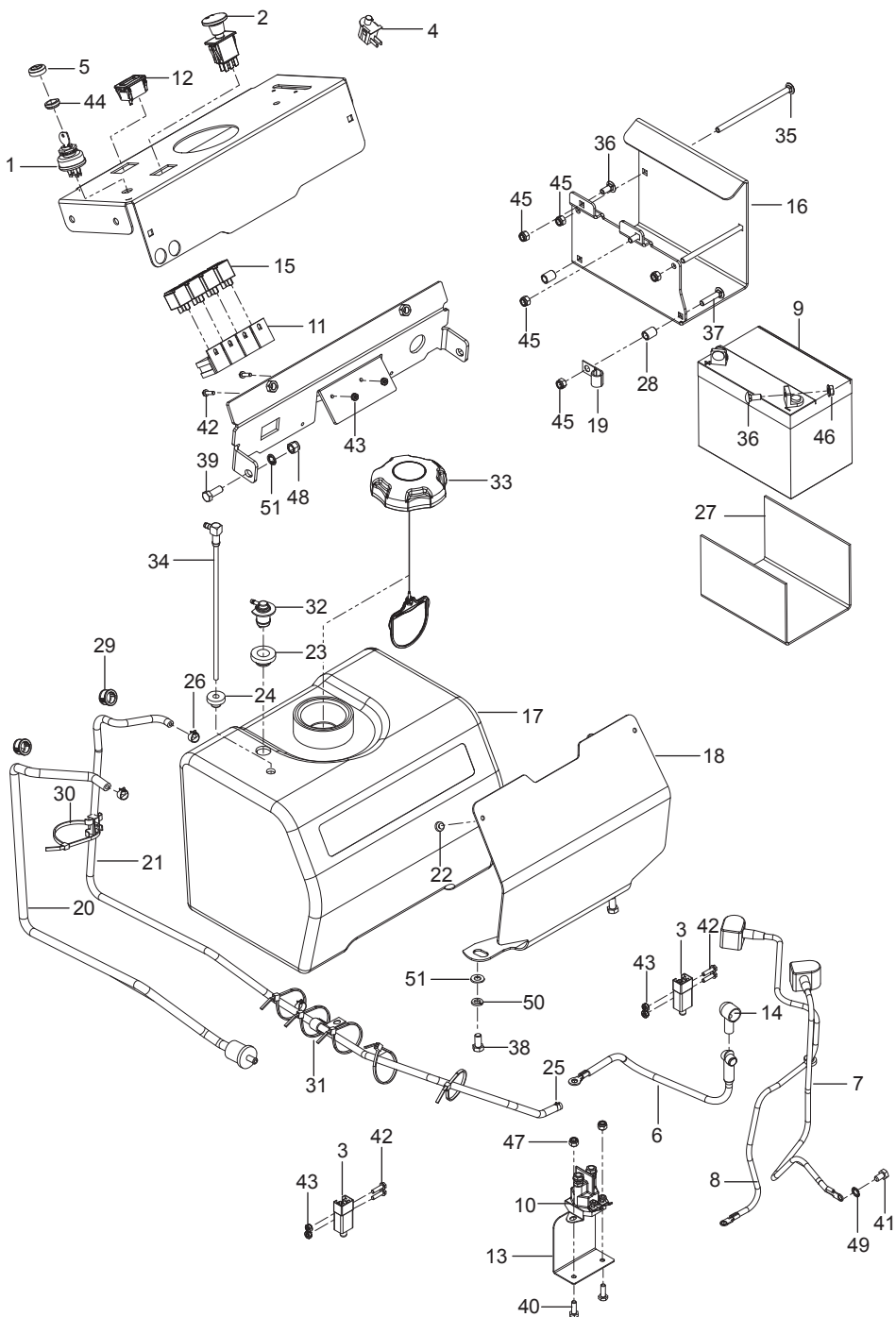
Ref.	Part No.	Qty	Description
1	592 77 24-01	1	Lever, Park Brake
2	592 78 22-01	1	Grip
3	592 76 54-01	1	Bushing, Lever
4	592 76 55-01	1	Spacer, Lever
5	592 76 38-01	1	Rod, Drive Control
6	592 77 16-01	2	Bracket, Brake Arm
7	592 76 28-01	2	Ring .375 x .054 x 1.254
8	588 07 26-01	1	Swivel 3/8-24
9	592 77 14-01	1	Shaft, Brake
10	592 76 40-01	4	Shoe, Brake
11	592 77 59-01	1	Spring, Extension
12	592 76 33-01	1	Switch, Brake
13	588 06 47-05	4	Bolt .31-18 x 1 Hex Head
14	588 06 47-08	1	Bolt .38-16 x 1 Hex Head
15	592 81 58-01	2	Bolt .38-16 x 1-1/2 Hex Head
16	588 07 16-02	2	Screw 10-24 x 3/4 Machine
17	588 07 06-05	2	Nut .38-16 Hex Center Lock
18	588 07 06-01	2	Nut 10-24 Keps
19	592 81 92-01	1	Nut .375-16 Whiz Lock Flange
20	592 81 95-01	4	Nut .312-18 Hex Nyloc
21	588 07 32-08	1	Washer .38 x .875 x .083 FI Stl

CONTROLS



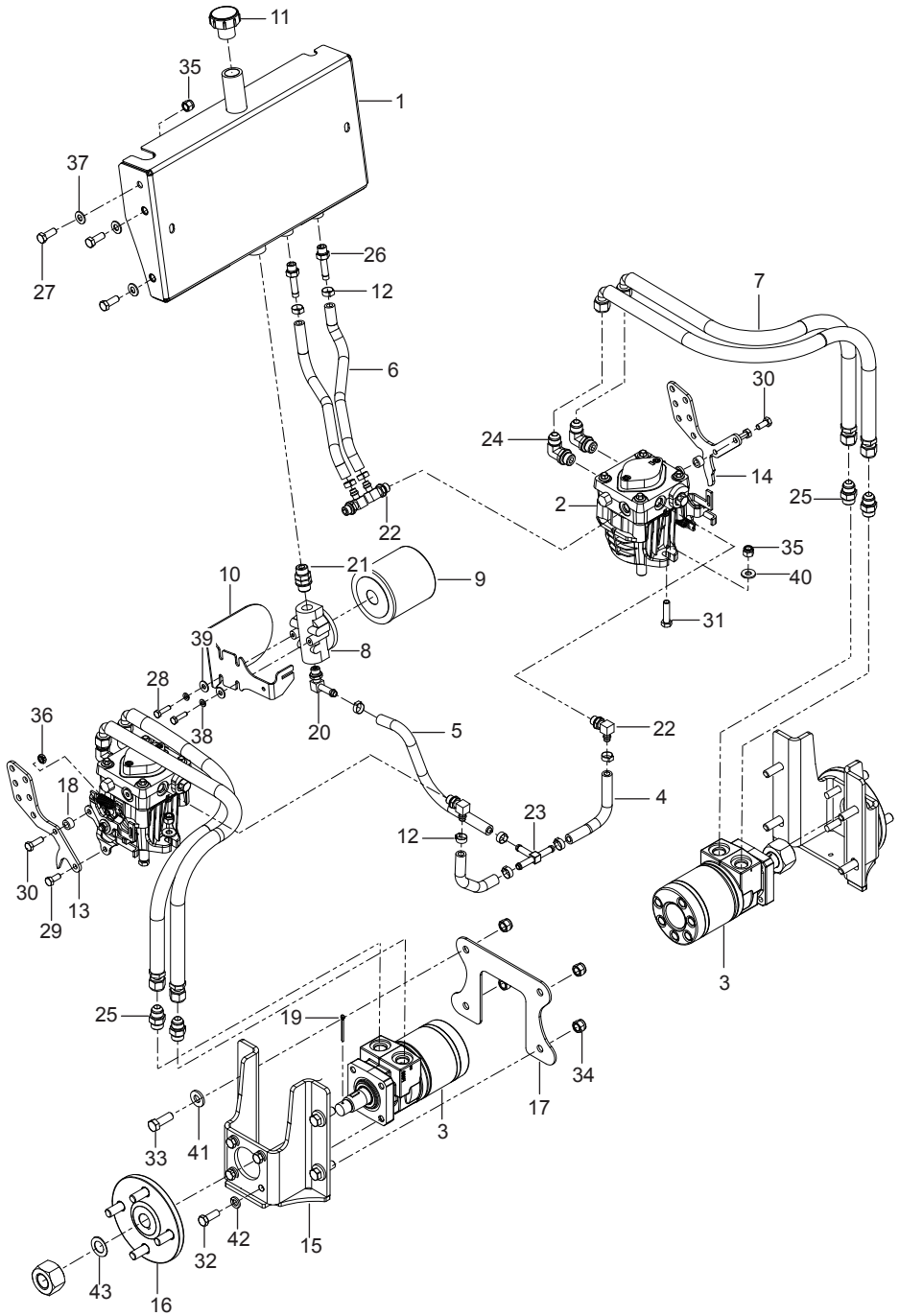
Ref.	Part No.	Qty	Description
1	591 49 24-01	1	Control, Throttle
2	591 49 25-01	1	Control, Choke
3	592 77 09-01	2	Pin Lock
4	592 76 28-01	4	Ring .375 x .054 x 1.254
5	592 77 17-01	1	Lever, Drive Right
6	592 77 19-01	1	Lever, Drive Left
7	592 78 12-01	2	Grip, Control
8	588 06 87-01	2	Grip, Clutch Lever
9	592 77 20-01	1	Lever, Operator Presence
10	592 76 52-01	1	Bushing, Operator Presence
11	592 78 07-01	4	Bearing, Flange 1/2 x 5/8 x 1/2
12	588 07 26-01	2	Swivel 3/8-24
13	592 77 55-01	1	Bumper, Rubber
14	592 76 39-01	2	Rod, Drive Loop
15	592 81 63-01	1	Bolt 1/4-20 x 2 Hex Head
16	588 06 47-08	2	Bolt .38-16 x 1 Hex Head
17	592 81 68-01	2	Screw 8-32 x 1/2 Panhead
18	592 81 93-01	2	Nut 1/4-20 Lock
19	501 09 98-01	2	Nut .38-16 Hex Nyloc
20	592 81 96-01	1	Nut .312-18 Whiz Lock Flange
21	592 81 99-01	2	Nut 8-32 Lock

IGNITION SYSTEM



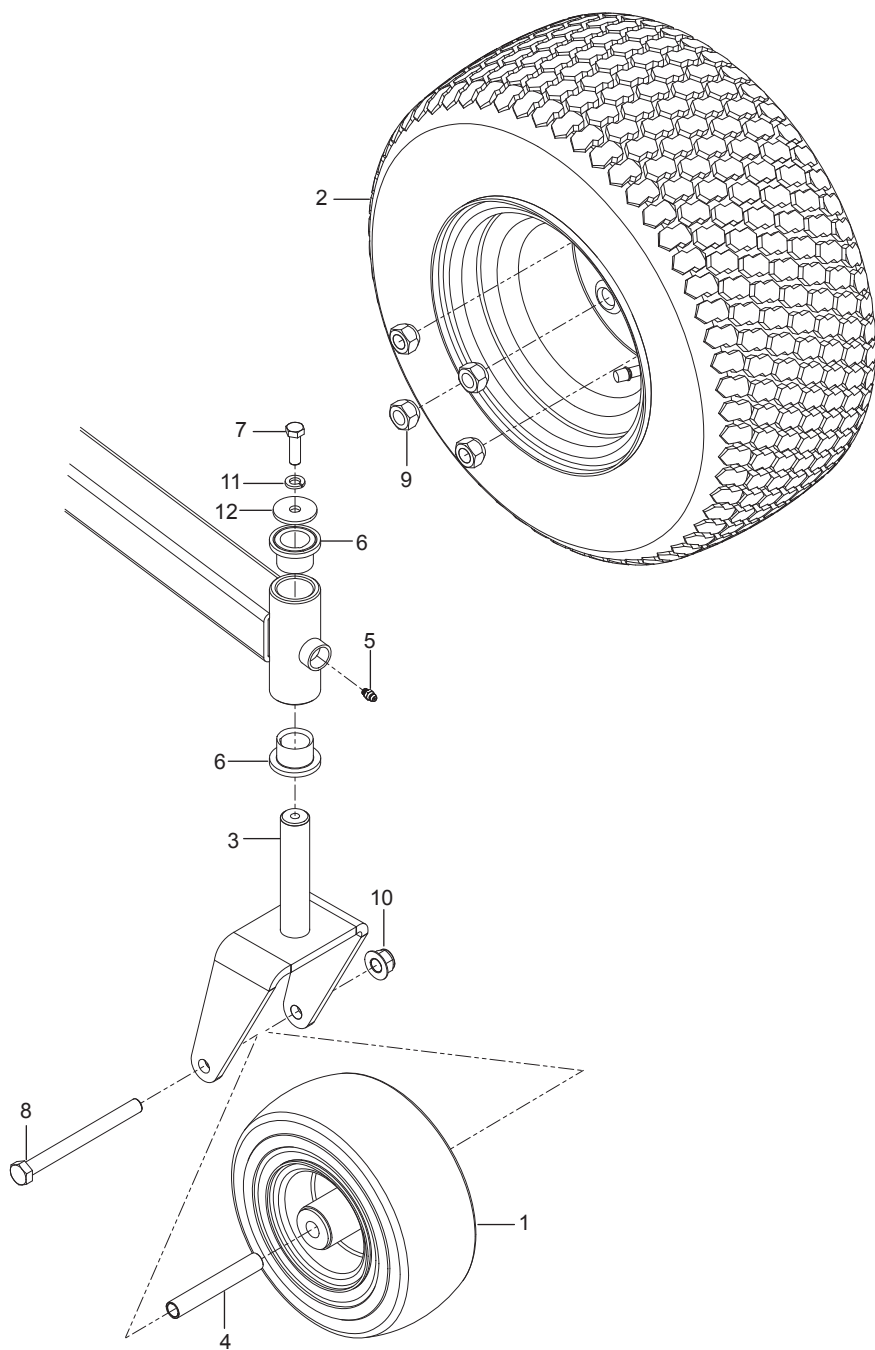
Ref.	Part No.	Qty	Description
1	592 76 19-01	1	Switch, Ignition
2	592 76 49-01	1	Switch, Blade
3	591 49 89-01	2	Switch, Interlock
4	592 78 04-01	1	Switch, Override
5	588 06 73-01	1	Cap, Ignition Switch
6	592 76 20-01	1	Cable, Starter
7	592 76 30-01	1	Cable, Battery Ground 25"
8	592 76 31-01	1	Cable, Battery Positive 25"
9	592 76 29-01	1	Battery
10	592 76 32-01	1	Solenoid
11	592 76 44-01	2	Harness, Electric Start
12	592 76 46-01	2	Meter, Service
13	592 76 48-01	2	Cover, Solenoid Gry
14	592 77 54-01	1	Boot, Terminal
15	592 72 82-01	4	Relay, ISO
16	592 76 57-01	1	Tray, Battery
17	588 07 27-01	1	Tank, Fuel
18	588 07 20-03	1	Shield, Fuel Tank
19	588 07 07-01	6	Clip
20	588 06 94-01	1	Hose 1/4 x 34-1/4" Fuel
21	588 06 94-02	1	Hose 3/16 x 43" Vapor
22	588 06 66-01	1	Grommet, Rubber
23	592 90 68-01	1	Grommet, Two Way
24	588 06 88-03	1	Grommet, Fuel Inlet
25	588 06 76-02	1	Clamp, Spring Hose
26	588 06 76-01	3	Clamp, Fuel Line
27	592 78 15-01	1	Strip, Rubber
28	592 76 25-01	2	Bushing .364 x .540 x .700
29	592 90 69-01	2	Bushing .687 x .875 x .56
30	592 77 11-01	3	Tie, Cable 14-1/2
31	592 72 84-01	5	Tie, Cable 8-1/2
32	592 90 70-01	1	Valve, Two Way
33	588 06 73-02	1	Cap, Fuel Tank
34	588 06 86-01	1	Fitting, Fuel Tank
35	592 81 70-01	2	Bolt .38-18 x 6 Round Head Square Neck
36	588 01 06-04	4	Bolt .31-18 x 3/4 Round Head Square Neck
37	588 06 47-24	2	Bolt .31-18 x 1-1/2 Round Head Square Neck
38	588 06 47-07	4	Bolt .38-16 x 3/4 Hex Head
39	588 06 47-08	2	Bolt .38-16 x 1 Hex Head
40	588 06 47-03	2	Bolt 1/4-20 x 3/4 Hex Head
41	588 06 47-18	2	Bolt M8 x 1.25 x 14 Hex Head
42	588 07 16-02	6	Screw 10-24 x 3/4 Machine
43	588 07 06-01	8	Nut 10-24 Keps
44	592 81 89-01	2	Nut .625-32 Panel
45	592 81 95-01	6	Nut .312-18 Hex Nyloc
46	592 81 96-01	2	Nut .312-18 Whiz Lock Flange
47	592 81 97-01	2	Nut 1/4-20 Hex Nyloc
48	501 09 98-01	2	Nut .38-16 Hex Nyloc
49	588 07 32-21	1	Washer .326 x .599 x .031 Lock
50	588 07 32-19	6	Washer .38 x .094 Lock
51	588 07 32-10	4	Washer .406 x .812 x .065 Fl Stl
52	592 90 71-01	2	Washer .38 Internal Star Lock

HYDRAULIC PUMP-MOTOR



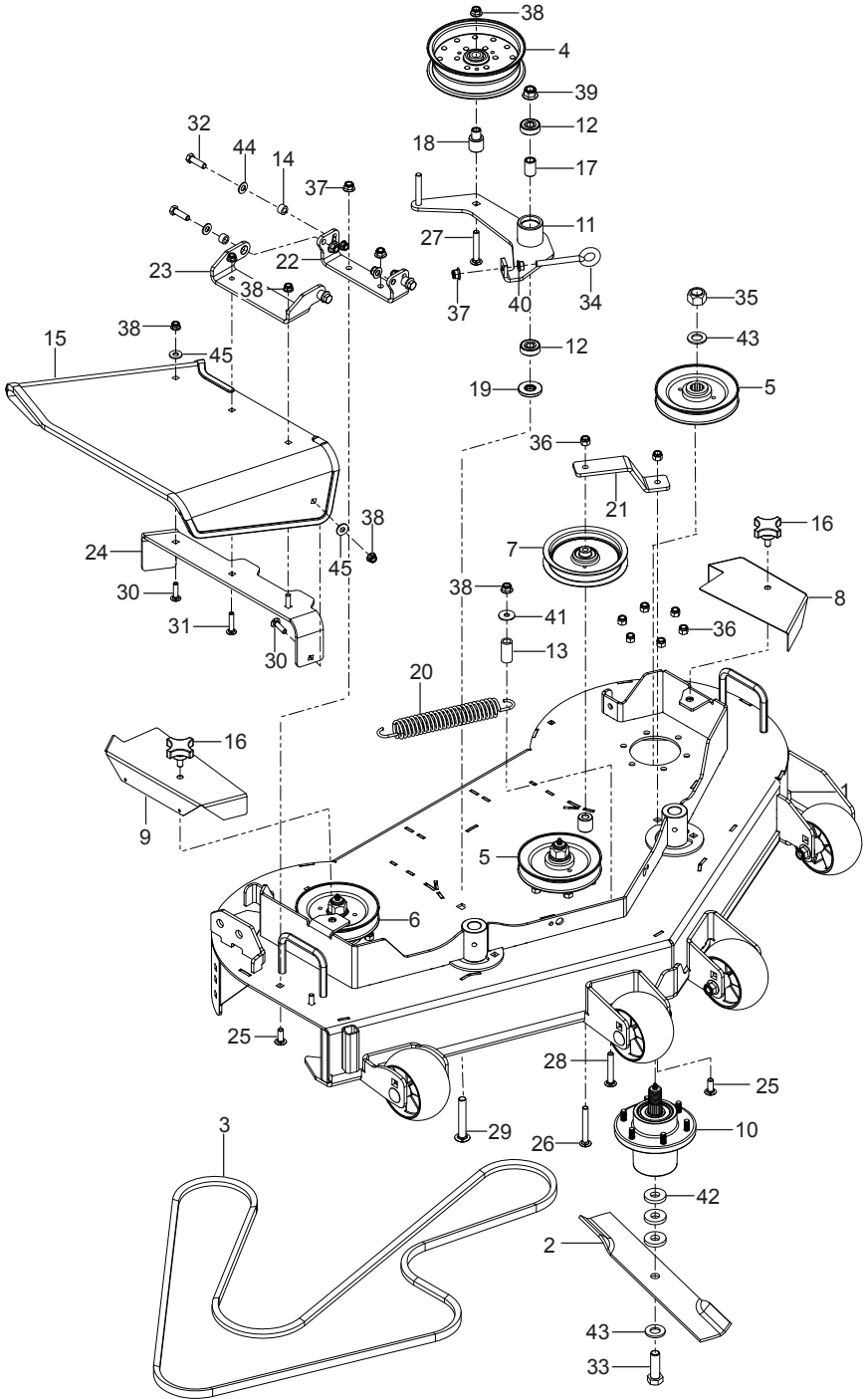
Ref.	Part No.	Qty	Description
1	592 77 28-01	1	Tank, Hydro
2	592 76 50-01	1	Pump, Left 10cc
	592 76 51-01	1	Pump, Right 1cc
3	592 78 13-01	2	Motor, Wheel
4	592 78 64-01	2	Hose 3/8 x 6"
5	592 78 68-01	1	Hose .375 x 10-1/2"
6	592 78 70-01	2	Hose .375 x 14"
7	592 78 62-01	4	Hose 1/2 x 26-1/2"
8	592 76 22-01	1	Head, Filter
9	592 78 19-01	1	Filter
10	592 76 91-01	1	Guard, Filter
11	592 78 14-01	1	Cap, Oil Fill
12	592 78 76-01	8	Clamp, Hose 1/2
13	592 77 26-01	2	Bracket, Right Pump Control
14	592 77 27-01	1	Bracket, Left Pump Control
15	592 77 29-01	2	Bracket, Wheel Motor
16	592 77 08-01	1	Hub, Wheel
17	592 76 56-01	1	Plate, Engine Bed Double
18	588 22 72-01	2	Bushing .377 x .624 x .370
19	592 77 45-01	1	Pin, Cotter
20	592 78 67-01	1	Fitting, 90° Brb-Or 4601-06-08
21	592 78 71-01	1	Fitting, Straight Union M80-M80
22	592 78 72-01	4	Fitting, 90° 9/16 Mor x 3/8 Shrt
23	592 78 80-01	1	Fitting, Tun 3/8
24	592 78 73-01	4	Fitting, Adp Jic-Orb 6801-08-08
25	592 78 75-01	4	Fitting, Straight
26	592 78 79-01	2	Adapter, Straight Fitting
27	588 06 47-08	6	Bolt .38-16 x 1 Hex Head
28	592 81 57-01	2	Bolt 1/4-20 x 1/2 Hex Head
29	588 06 47-04	2	Bolt .31-18 x 3/4 Hex Head
30	588 06 47-05	2	Bolt .31-18 x 1 Hex Head
31	592 81 58-01	4	Bolt .38-16 x 1-1/2 Hex Head
32	592 81 74-01	8	Bolt 3/8-16 x 1 Grade 8 Blk
33	592 81 62-01	8	Bolt .44-14 x 1-1/2 Hex Head
34	592 81 91-01	8	Nut .44-14 Hex Nyloc
35	501 09 98-01	6	Nut .38-16 Hex Nyloc
36	592 81 87-01	4	Nut .31-18 Center Jam Lock
37	588 07 32-10	6	Washer .406 x.812 x.065 FI Stl
38	592 81 81-01	2	Washer 1/2 x .062 Lock
39	588 07 32-16	2	Washer .312 x .734 x .065 FI Stl
40	588 07 32-08	4	Washer .38 x .875 x.083 FI Stl
41	592 81 82-01	8	Washer .468 x 1 x .125 FI Stl
42	588 07 32-19	8	Washer .38 x .094 Lock
43	592 81 53-01	2	Washer 3/4 x 1-1/4
	NOT SHOWN		
	592 78 03-01	1	Kit, Hose and Fitting

WHEELS & TIRES



Ref.	Part No.	Qty	Description
1	592 77 46-01	2	Assembly, Tire 9 x 3.5
2	592 77 47-01	2	Assembly, Tire 16 x 7.50-8
3	592 77 13-01	2	Yoke, Caster
4	588 07 29-01	2	Tube, Caster Axle
5	588 06 86-02	2	Fitting 1/4-28 Grease Zerk
6	588 06 50-01	4	Bearing 1 x 1-1/4 x 1 Flange
7	501 10 13-01	2	Bolt .38-16 x 1-1/4 Hex Head
8	588 06 47-16	2	Bolt 1/2-13 x 5-1/2 Hex Hd
9	592 81 90-01	8	Nut 1/2-20 Lug
10	588 07 06-11	2	Nut 1/2 -13 Hex Flange Nyloc
11	588 07 32-19	4	Washer .38 x .094 Lock
12	592 81 85-01	2	Washer .38 x 1-1/2 x 1/8 FI Stl

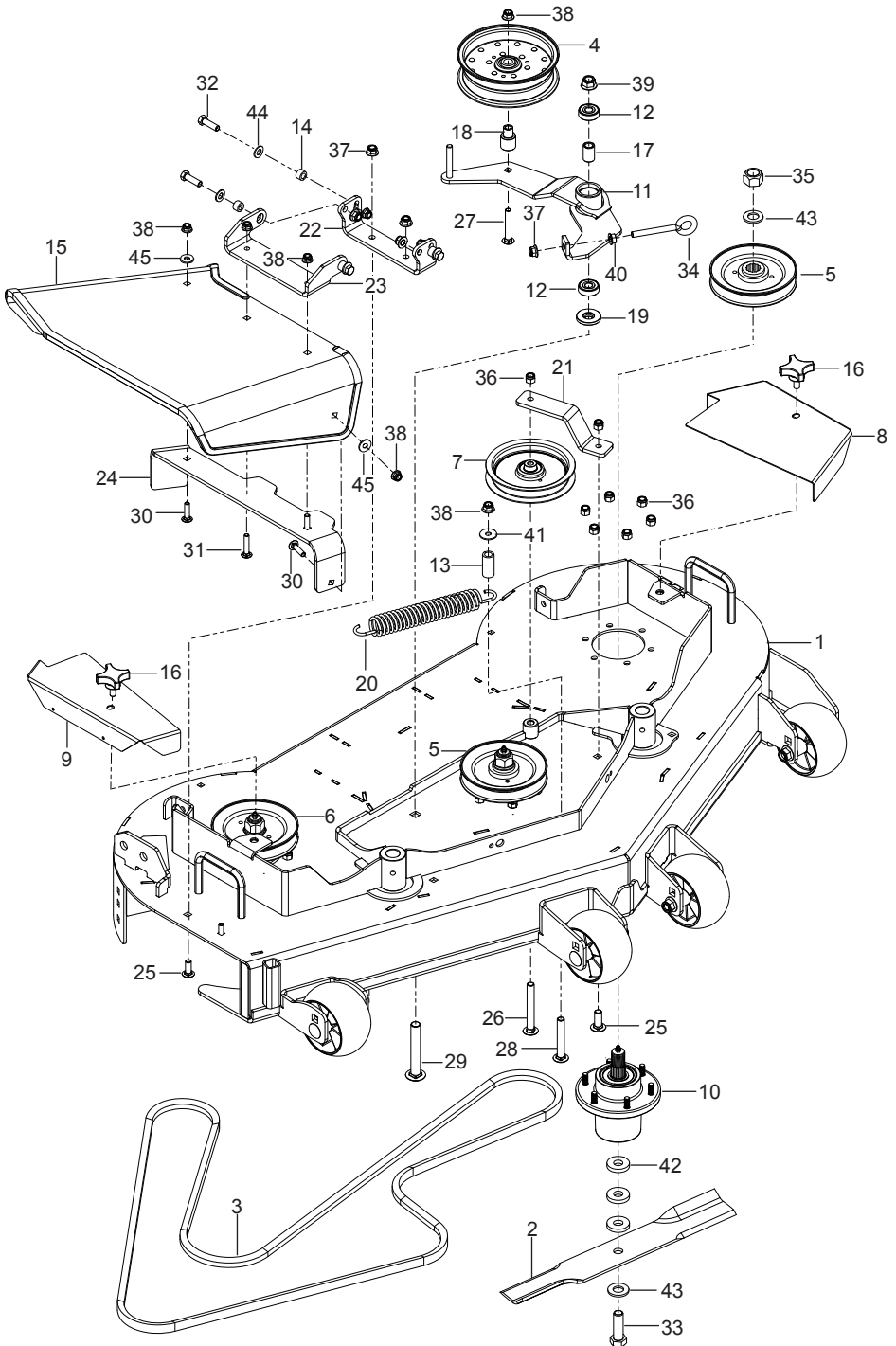
MOWER DECK / CUTTING DECK
Deck 48" Pulleys and Guards



Ref.	Part No.	Qty	Description
1	592 77 96-01	1	Deck 48" w/ Decals
2	588 06 45-01	3	Blade 16-1/2 Lift
3	592 72 85-01	1	Belt
4	592 77 48-01	1	Pulley, Flat Idler 6 x .635
5	592 77 53-01	2	Pulley, Spindle 5-3/4 x 1/4
6	592 77 52-01	1	Pulley, Spindle 5-3/4 x .76
7	592 77 49-01	1	Idler 5" x 3/4" Flat
8	592 77 03-01	1	Shield, Left Spindle 48" Org
9	592 77 01-01	1	Shield, Right Spindle 48" Org
10	592 77 07-01	3	Spindle Housing
11	592 77 31-01	1	Arm, Idler 48
12	592 77 39-01	2	Bearing, Ball
13	592 77 41-01	1	Bushing 1/2 x 3/4
14	588 22 72-01	6	Bushing .377 x .624 x .370
15	588 06 75-01	1	Chute, Discharge
16	588 06 99-01	2	Knob 3/8-16 x 3/4"
17	592 77 94-01	1	Spacer, .510 x .750 x 1.148
18	592 76 99-01	1	Spacer, Idler
19	592 76 93-01	1	Spacer, Idler Arm
20	592 77 60-01	1	Spring, Extension
21	592 76 37-01	1	Strap, Idler
22	592 77 00-01	1	Bracket, Discharge Pivot
23	592 90 73-01	1	Bracket, Discharge Mount
24	592 90 75-01	1	Bracket, Discharge
25	588 06 47-21	5	Bolt .38-16 x 1 Round Head Short Square Neck
26	592 81 75-01	1	Bolt .38-16 x 2-1/2 Round Head Short Square Neck
27	592 81 79-01	1	Bolt .38-16 x 2-1/2 Round Head Square Neck
28	592 81 80-01	1	Bolt .38-16 x 3 Round Head Square Neck
29	592 81 76-01	1	Bolt 1/2-13 x 3-1/4 Round Head Short Square Neck
30	588 06 47-23	2	Bolt .38-16 x 1-1/4 Round Head Square Neck
31	588 06 47-24	2	Bolt .38-16 x 1-1/2 Round Head Square Neck
32	501 10 13-01	4	Bolt .38-16 x 1-1/4 Hex Hd
33	588 06 47-17	3	Bolt .62-11 x 2 Hex Grade 8
34	592 81 83-01	1	Bolt, Eye .38-16 x 4-1/2
35	588 07 03-01	3	Nut 3/4-16 Crown Lock
36	501 09 98-01	20	Nut .38-16 Lock Nyloc
37	588 07 06-10	7	Nut .38-18 Lock Flange Nyloc
38	588 07 06-09	6	Nut .38-16 Lock Flange Nyloc
39	588 07 06-11	1	Nut 1/2-13 Lock Flange Nyloc
40	592 81 92-01	1	Nut .375-16 Whiz Lock Flange
41	588 07 32-07	1	Washer .375 x 1.125 x .065 FI-Stl
42	588 07 32-13	9	Washer .630 x 1-1/2 x 1/4 FI-Stl
43	588 07 32-01	6	Washer 3/4 x 1.3125 x .120
44	588 07 32-10	4	Washer .406 x .812 x .065 FI Stl
45	588 07 32-08	3	Washer .38 x .875 x .083 FI Stl
NOT SHOWN			
	588 19 04-01	1	Mulch Kit 48"

MOWER DECK / CUTTING DECK

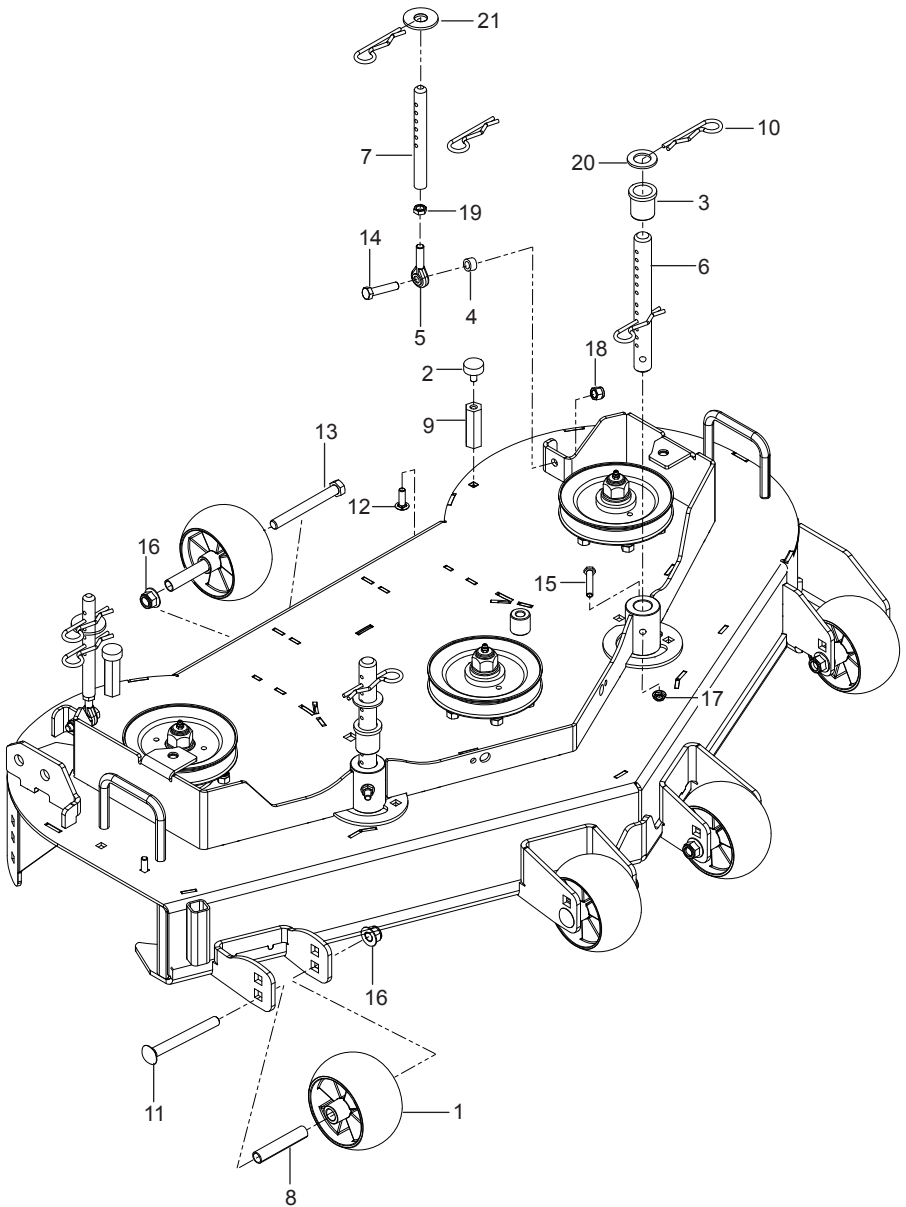
Deck 52" Pulleys and Guards



Ref.	Part No.	Qty	Description
1	592 77 96-02	1	Deck 52" w/ Decals
2	591 49 23-02	3	Blade 18" Lift
3	592 72 85-02	1	Belt
4	592 77 48-01	1	Pulley, Flat Idler 6 x .635
5	592 77 53-01	2	Pulley, Spindle 5-3/4 x 1/4
6	592 77 52-01	1	Pulley, Spindle 5-3/4 x .76
7	592 77 49-01	1	Idler 5" x 3/4" Flat
8	592 77 03-02	1	Shield, Left Spindle 52" Org
9	592 77 01-02	1	Shield, Right Spindle 52" Org
10	592 77 07-01	3	Spindle Housing
11	592 77 31-01	1	Arm, Idler 48
12	592 77 39-01	2	Bearing, Ball
13	592 77 41-01	1	Bushing 1/2 x 3/4
14	588 22 72-01	6	Bushing .377 x .624 x .370
15	588 06 75-01	1	Chute, Discharge
16	588 06 99-01	2	Knob 3/8-16 x 3/4"
17	592 77 94-01	1	Spacer, .510 x .750 x 1.148
18	592 76 99-01	1	Spacer, Idler
19	592 76 93-01	1	Spacer, Idler Arm
20	592 77 60-01	1	Spring, Extension
21	592 76 37-01	1	Strap, Idler
22	592 77 00-01	1	Bracket, Discharge Pivot
23	592 90 73-01	1	Bracket, Discharge Mount
24	592 90 75-01	1	Bracket, Discharge
25	588 06 47-21	5	Bolt .38-16 x 1 Round Head Short Square Neck
26	592 81 75-01	1	Bolt .38-16 x 2-1/2 Round Head Short Square Neck
27	592 81 79-01	1	Bolt .38-16 x 2-1/2 Round Head Square Neck
28	592 81 80-01	1	Bolt .38-16 x 3 Round Head Square Neck
29	592 81 76-01	1	Bolt 1/2-13 x 3-1/4 Round Head Short Square Neck
30	588 06 47-23	2	Bolt .38-16 x 1-1/4 Round Head Square Neck
31	588 06 47-24	2	Bolt .38-16 x 1-1/2 Round Head Square Neck
32	501 10 13-01	4	Bolt .38-16 x 1-1/4 Hex Hd
33	588 06 47-17	3	Bolt .62-11 x 2 Hex Grade 8
34	592 81 83-01	1	Bolt, Eye .38-16 x 4-1/2
35	588 07 03-01	3	Nut 3/4-16 Crown Lock
36	501 09 98-01	20	Nut .38-16 Lock Nyloc
37	588 07 06-10	7	Nut .38-18 Lock Flange Nyloc
38	588 07 06-09	6	Nut .38-16 Lock Flange Nyloc
39	588 07 06-11	1	Nut 1/2-13 Lock Flange Nyloc
40	592 81 92-01	1	Nut .375-16 Whiz Lock Flange
41	588 07 32-07	1	Washer .375 x 1.125 x .065 FI-Stl
42	588 07 32-13	9	Washer .630 x 1-1/2 x 1/4 FI-Stl
43	588 07 32-01	6	Washer 3/4 x 1.3125 x .120
44	588 07 32-10	4	Washer .406 x .812 x .065 FI Stl
45	588 07 32-08	3	Washer .38 x .875 x .083 FI Stl
NOT SHOWN			
	593 11 28-01	1	Mulch Kit 52"

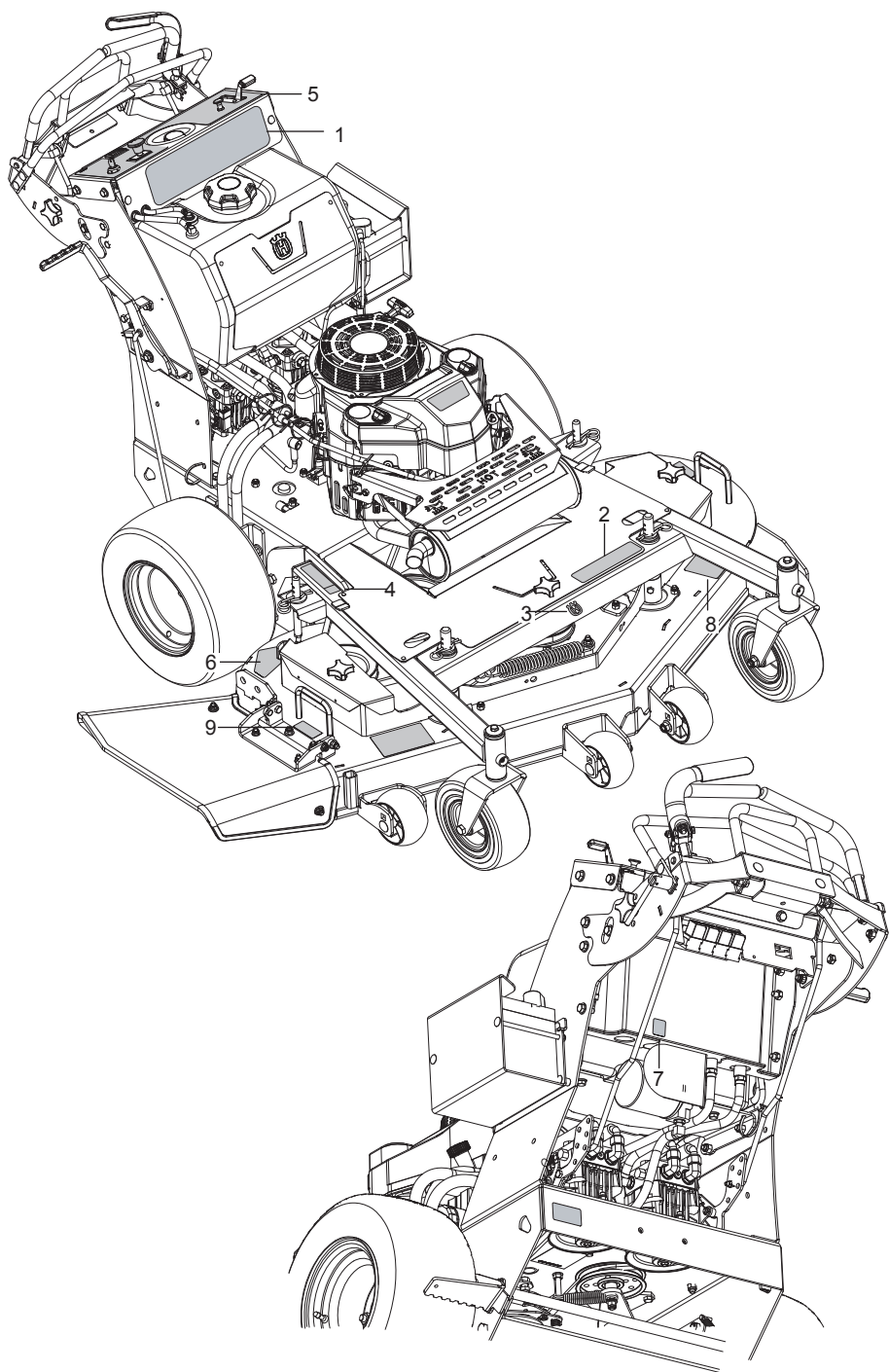
HEIGHT ADJUSTMENT

Mower Decks



Ref.	Part No.	Qty	Description
1	592 77 15-01	6	Wheel, Anti-Scalp
2	592 77 55-01	2	Bumper, Rubber
3	592 77 40-01	2	Bushing 1 x 1-1/4 x 1-1/2 Flange
4	588 22 72-01	2	Bushing
5	592 77 61-01	2	Rod, End 3/8 Right
6	592 76 47-01	2	Rod, Front HOC
7	592 76 36-01	2	Rod, Rear HOC
8	592 76 26-01	6	Spacer, .510 x .625 x 3.35
9	592 90 76-01	2	Coupler, Nut
10	592 77 44-01	8	Pin .17 x .68 x 3-1/2 Hair
11	592 81 72-01	2	Bolt 1/2-13 x 4-1/2 Round Head Square Neck
12	592 90 77-01	2	Bolt .31-18 x 1 Round Head Short Square Neck
13	592 81 61-01	2	Bolt 1/2-13 x 4-1/2 Hex Head
14	592 81 59-01	2	Bolt .38-16 x 1-3/4 Hex Head
15	592 81 65-01	2	Bolt .31-18 x 2-1/2 Hex Head Grade 8
16	588 07 06-11	6	Nut 1/2-13 Lock Nyloc Flange
17	592 81 96-01	2	Nut .312-18 Whiz Lock Flange
18	501 09 98-01	2	Nut .38-16 Lock Nyloc
19	592 81 98-01	2	Nut .375-24 Jam Lock
20	592 81 86-01	2	Washer .875 x 1-1/5 x .1196 FI-Stl
21	592 81 84-01	2	Washer .688 x 1-3/4 x .134 FI-Stl

DECALS



Ref.	Part No.	Qty	Description
1	592 77 33-01	1	Decal, Husqvarna Commercial
2	592 77 34-01	1	Decal, W548
	592 773402	1	Decal, W552
3	592 77 35-01	1	Decal, Husqarna Crown
4	592 77 36-01	2	Decal, Height of Cut
5	590 67 99-01	1	Decal, Console
6	588 06 83-10	1	Decal, Deck Guarding Safety
7	592 77 57-01	1	Decal, Hot Surface
8	588 06 83-12	2	Decal, Deck Safety
9	588 06 83-11	1	Decal, Guarding Safety
	NOT SHOWN		
	592 76 23-01	1	Decal, Pump Belt Routing
	592 77 56-01	1	Decal, Deck Belt Routing
	590 68 00-01	1	Decal, Service



www.husqvarna.com

2017-09-15