



Husqvarna®



LC 247i, LC 247iX, LC 347iV, LC 347iVX,
LC 353iV, LC 353iVX



EN	Operator's manual	2-25
BG	Ръководство за експлоатация	26-53
CS	Návod k použití	54-79
DA	Bruksanvisning	80-104
DE	Bedienungsanweisung	105-131
EL	Οδηγίες χρήσης	132-159
ES	Manual de usuario	160-185
ET	Kasutusjuhend	186-209
FI	Käyttöohje	210-233
FR	Manuel d'utilisation	234-260
HR	Priručnik za korištenje	261-284
HU	Használati utasítás	285-310
IT	Manuale dell'operatore	311-336
JA	取扱説明書	337-361
LT	Operatoriaus vadovas	362-386
LV	Lietošanas pamācība	387-412
NL	Gebbruiksaanwijzing	413-438
NO	Bruksanvisning	439-462
PL	Instrukcja obsługi	463-489
PT	Manual do utilizador	490-516
RO	Instrucțiuni de utilizare	517-542
RU	Руководство по эксплуатации	543-572
SK	Návod na obsluhu	573-597
SL	Navodila za uporabo	598-622
SR	Priručnik za rukovaoca	623-648
SV	Bruksanvisning	649-672
TR	Kullanım kılavuzu	673-696
UK	Посібник користувача	697-724
ZH	操作手册	725-745

Contents

Introduction.....	2	Troubleshooting.....	20
Safety.....	5	Transportation, storage and disposal.....	21
Assembly.....	13	Technical data.....	22
Operation.....	14	EC Declaration of Conformity.....	25
Maintenance.....	18	Registered trademarks.....	25

Introduction

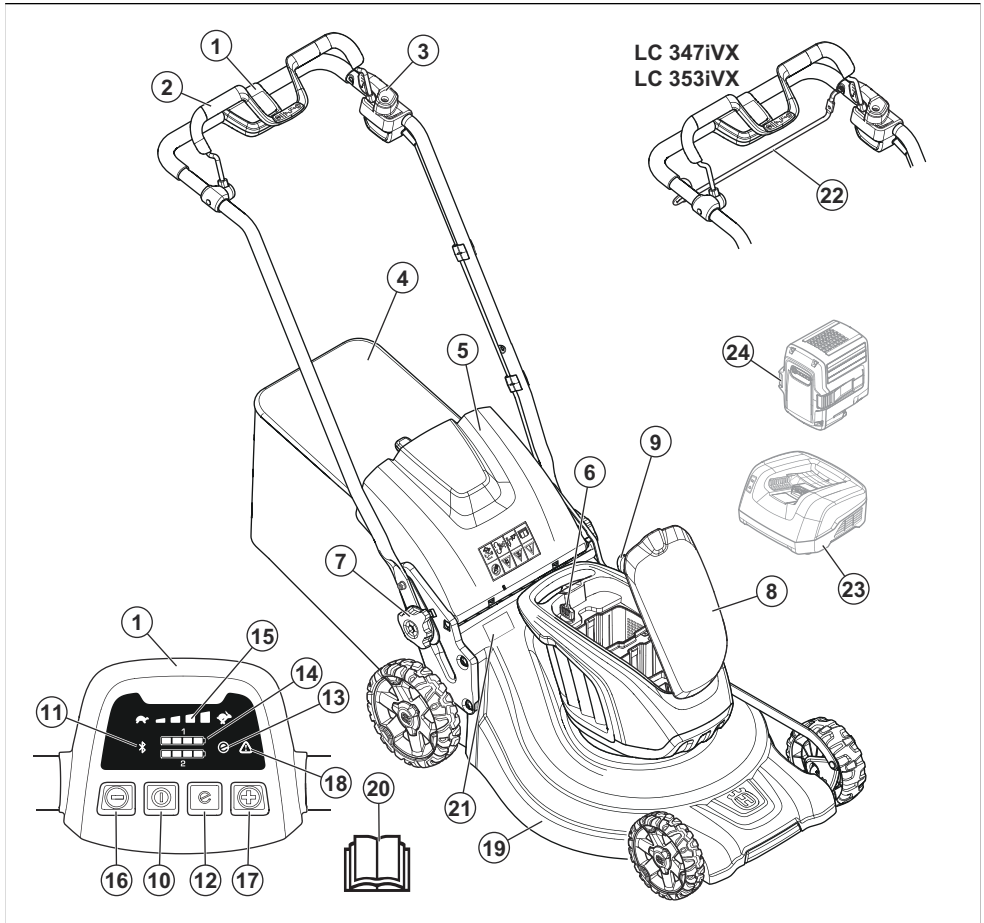
Product description

The product is a pedestrian-controlled rotary lawn mower. The grass is collected in a grass catcher. Remove the grass catcher to get rear discharge of the grass. Attach a mulch kit (accessory) to cut the grass into fertilizer.

Intended use

Use the product to cut grass. Do not use the product for other tasks.

Product overview



- | | |
|---|--|
| 1. Control panel | 15. Speed level indicator (LC 347iV, LC 347iVX, LC 353iV, LC 353iVX) |
| 2. Motor brake handle | 16. Decrease speed button (LC 347iV, LC 347iVX, LC 353iV, LC 353iVX) |
| 3. Start inhibitor | 17. Increase speed button (LC 347iV, LC 347iVX, LC 353iV, LC 353iVX) |
| 4. Grass catcher | 18. Error LED |
| 5. Rear cover | 19. Cutting cover |
| 6. Safety key | 20. Operator's manual |
| 7. Handle knob | 21. Rating plate |
| 8. Battery cover | 22. Drive bail (LC 347iV, LC 347iVX, LC 353iV, LC 353iVX) |
| 9. Cutting height control | 23. Battery charger (Accessory) |
| 10. ON/OFF button | 24. Battery (Accessory) |
| 11. Indicator for <i>Bluetooth</i> [®] wireless technology | |
| 12. SavE button | |
| 13. SavE indicator | |
| 14. Battery indicator | |

Symbols on the product



WARNING! Be careful and use the product correctly. This product can cause serious injury or death to the operator or others.



Read the operator's manual carefully and make sure that you understand the instructions before use.



Keep persons and animals at a safe distance from the work area.



Look out for thrown objects and ricochets.



Warning: Keep hands and feet away from the rotating blade.



Warning: Keep hands and feet away from rotating parts.



Remove the safety key before you do repair work or maintenance.



Do not expose to rain.



The product or package of the product is not domestic waste. Recycle it at a recycling station for electrical and electronic equipment.



The product agrees with applicable EC directives.



The product agrees with applicable Eurasian Customs Union directives.



The product agrees with applicable UkrSEPRO directives.



The product agrees with applicable RCM directives. Applies to AU/NZ only



Noise emission to the environment according to European Directive 2000/14/EC and New South Wales legislation "Protection of the Environment

Operations (Noise Control) Regulation 2017". Noise emission data can be found on the machine label and in the Technical data chapter.

IPX1 The product is drip protected.

Start procedure: push the ON/OFF button, loosen the start inhibitor, push the motor brake handle down.



Release the motor brake handle to stop.



Slow



Fast



Scannable code

Note: Other symbols/decals on the product refer to certification requirements for some markets.

Label on the product



Keep hands and feet away from the rotating blades.

Product liability

As referred to in the product liability laws, we are not liable for damages that our product causes if:

- the product is incorrectly repaired.
- the product is repaired with parts that are not from the manufacturer or not approved by the manufacturer.
- the product has an accessory that is not from the manufacturer or not approved by the manufacturer.
- the product is not repaired at an approved service center or by an approved authority.

Safety

Safety definitions

Warnings, cautions and notes are used to point out specially important parts of the manual.

for the operator or bystanders if the instructions in the manual are not obeyed.



WARNING: Used if there is a risk of injury or death



CAUTION: Used if there is a risk of damage to the product, other materials or the adjacent area if the instructions in the manual are not obeyed.

Note: Used to give more information that is necessary in a given situation.

General safety instructions



WARNING: Read the warning instructions that follow before you use the product.

- This product is dangerous if used incorrectly or if you are not careful. Injury or death can occur if you do not obey the safety instructions.
- This product produces an electromagnetic field during operation. This field may under some circumstances interfere with active or passive medical implants. To reduce the risk of serious or fatal injury we recommend persons with medical implants to consult their physician and the medical implant manufacturer before operating this product.
- Always be careful and use your common sense. If you are not sure how to operate the product in a special situation, stop and speak to your Husqvarna dealer before you continue.
- Keep in mind that the operator will be held responsible for accidents that involve other persons or their property.
- Keep the product clean. Make sure that you can clearly read signs and decals.
- Never allow children or people unfamiliar with these instructions to use the appliance. Local regulations may restrict the age of the operator
- Always monitor a person, with decreased physical capacity or mental capacity, that uses the product. A responsible adult must be there at all times.
- Do not use the product if you are tired, ill, or under the influence of alcohol, drugs or medicine. This has a negative effect on your vision, alertness, coordination and judgment.
- Do not use the product if it is defective.

- Do not change this product or use it if it is possible that it has been changed by others.

Work area safety



WARNING: Read the warning instructions that follow before you use the product.

- Remove objects such as branches, twigs and stones from the work area before you use the product.
- Objects that hit against the cutting equipment can eject and cause damage to persons and objects. Keep bystanders and animals at a safe distance from the product.
- Never use the product in bad weather such as fog, rain, strong winds, intense cold and risk of lightning. To use the product in bad weather or in moist or wet locations is tiring. Bad weather can cause dangerous conditions, such as slippery surfaces.
- Look out for persons, objects and situations that can prevent safe operation of the product.
- Look out for obstacles, such as roots, stones, twigs, pits and ditches. Long grass can hide obstacles.

- To cut grass on slopes can be dangerous. Do not mow excessively steep slopes. Do not use the product on ground that slopes more than 15°
- Exercise extreme caution when changing direction on slopes. Operate the product across the face of slopes. Do not move up and down.
- Be careful when you go near hidden corners and objects that prevent a clear view.

Work safety



WARNING: Read the warning instructions that follow before you use the product.

- Use this product to cut grass lawns only. It is not permitted to use it for other tasks.
- Use personal protective equipment. Refer to *Personal protective equipment on page 9*.
- Make sure that you know how to stop the motor quickly in an emergency.
- Do not operate the product in rain or wet conditions. The risk of electrical shock increases if water enters the product.
- Do not operate the product unless the blade and all

covers are attached correctly. An incorrectly attached blade can come loose and cause personal injury.

- Make sure that the blade does not hit objects such as stones and roots. This can do damage to the blade and bend the motor shaft. A bent axle causes heavy vibration and a very high risk that the blade becomes loose.
- If the blade hits an object or if vibrations occur, stop the product immediately. Stop the motor, turn the safety key to 0 and remove the battery. Examine the product for damages. Repair damages or let an authorised service agent do the repair.
- Never attach the motor brake handle permanently to the handle when the motor is started.
- Put the product on a stable, flat surface and start it. Make sure that the blade does not hit the ground or other objects.
- Always stay behind the product when you operate it.
- Let all the wheels stay on the ground and keep 2 hands on the handle when you operate the product. Keep your hands

and feet away from the rotating blades.

- Do not tilt the product when the motor is started.
- Be careful when you pull the product rearward.
- Never lift up the product when the motor is started. If you must lift the product, first stop the motor, turn the safety key to 0 and remove the battery.
- Do not walk rearward when you operate the product.
- Stop the motor when you move across areas without grass, for example paths made of gravel, stone and asphalt.
- Do not run with the product when the motor is started. Always walk when you operate the product.
- Stop the motor before you change the cutting height. Never make adjustments with the motor started.
- Never let the product stay out of view with the motor started. Stop the motor and make sure that the cutting equipment does not rotate.

Safety instructions for operation

Personal protective equipment



WARNING: Read the warning instructions that follow before you use the product.

- Personal protective equipment cannot fully prevent injury but it decreases the degree of injury if an accident does occur. Let your dealer help you select the right equipment.
- Use heavy-duty slip-resistant boots or shoes. Do not use open shoes or go with bare feet.
- Use heavy, long pants.
- Use protective gloves when necessary, for example when you attach, examine or clean the cutting equipment.

Safety devices on the product



WARNING: Read the warning instructions that follow before you use the product.

- Do not use a product with defective safety devices.
- Do a check of the safety devices regularly. If the safety devices are defective, speak

to your Husqvarna service agent.

To do a check of the cutting cover

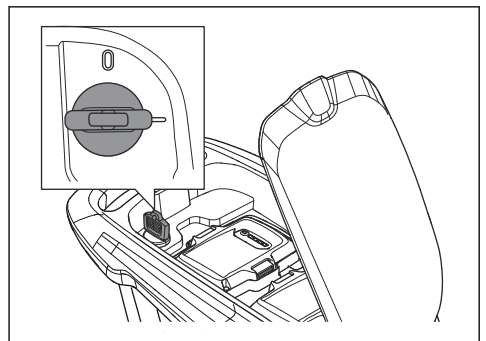
The cutting cover decreases vibrations in the product and decreases the risk of injury from the blade.

- Examine the cutting cover to make sure that there are no damages such as cracks.

Safety key

The safety key is below the battery lid. The safety key connects the battery that supplies the motor with power.

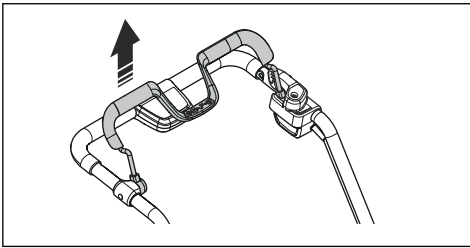
- Start and stop the motor to do a check of the safety key.
- If the safety key operates correctly, the motor can only start when the safety key is in position 1.



Motor brake handle

The motor brake handle stops the motor. When the motor brake handle is released, the motor stops.

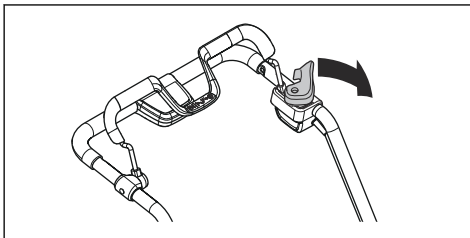
To do a check of the motor brake, start the motor and then release the motor brake handle. If the motor does not stop in 3 seconds, let an approved Husqvarna service agent adjust the motor brake.



To examine the start inhibitor

Do a check of the start inhibitor to make sure that it prevents operation of the motor.

1. Push the motor brake handle in the direction of the handlebar. The start inhibitor stops the movement.
2. Push the start inhibitor out.



3. Release the start inhibitor and make sure that it goes back to its initial position.

Battery safety



WARNING: Read the warning instructions that follow before you use the product.

- Use Husqvarna rechargeable batteries as a power supply for related Husqvarna products only. To prevent injury, do not use the battery as a power supply for other devices.
- Do not use non-rechargeable batteries.
- Risk of electrical shock. Do not connect the battery terminals to keys, coins, screws or other metal. This can cause a short circuit of the battery.
- Do not put objects into the air slots of the battery.
- Keep the battery away from sunlight, heat or open flame. The battery can explode and cause burns and/or chemical burns.
- Keep the battery away from rain and wet conditions.
- Keep the battery away from microwaves and high pressure.

- Do not try to disassemble or break the battery.
- If the battery leaks, do not let the liquid touch your body or eyes. If you have touched the liquid, clean the area with a large quantity of water and get medical aid.
- Use the battery in temperatures between -10°C and 40°C .
- Do not clean the battery or the battery charger with water. *See To clean the battery and the battery charger on page 19.*
- Do not use a defective or damaged battery.
- Keep batteries in storage away from metal objects such as nails, coins, jewellery.

Battery charger safety



WARNING: Read the warning instructions that follow before you use the product.

- Use the QC battery chargers to charge Husqvarna replacement batteries only.
- Risk of electrical shock or short circuit. Do not put objects into the air slots of the charger. Do not try to disassemble the battery charger. Do not connect the charger terminals to metal objects. Use an approved mains socket.
- This product produces an electromagnetic field during operation. This field may under some circumstances interfere with active or passive medical implants. To reduce the risk of serious or fatal injury, we recommend persons with medical implants to consult their physician and the medical implant manufacturer before operating this product.
- Regularly make sure that the power cord of the battery charger is not damaged and that there are no cracks in it.
- Do not lift the battery charger by the power cord. To disconnect the battery charger from a mains socket, pull out the plug. Do not pull the power cord.
- Keep the power cord and extension cables away from water, oil and sharp edges. Make sure that the cable is not pinched in doors, fences or equivalent. It can cause the charger to become energized.
- Do not clean the battery charger with water.

- The battery charger can be used by children aged from 8 years and above and persons with reduced physical, sensory, or mental capabilities or lack of experience and knowledge if they have been given supervision or instruction concerning use of the battery charger in a safe way and understand the hazards involved. Children shall not play with the battery charger. Cleaning and user maintenance shall not be made by children without supervision.
- Do not charge non-rechargeable batteries in the battery charger.
- Do not use the battery charger near flammable materials or materials that can cause corrosion. Do not cover the battery charger. Pull out the plug to the battery charger if there is smoke or fire.
- Do not use a defective or damaged battery charger.
- Only charge the battery indoors in a room with good airflow and away from sunlight. Do not charge the battery in wet conditions.

Safety instructions for maintenance



WARNING: Read the warning instructions that follow before you use the product.

- To prevent accidental start during maintenance, turn the safety key to 0 and remove the battery. Wait at minimum 5 seconds before you start the maintenance.
- Do the maintenance work correctly to increase the lifetime of the product and decrease the risk of accidents. Let an approved service agent do the professional repairs. Speak to your nearest service agent for more information.
- Only do the maintenance work written in this operator's manual. More extensive work must be done by an approved service agent.
- Put on heavy duty gloves when you use the cutting equipment. The blade is very sharp and cuts can easily occur.
- Keep the cutting edges sharp and clean for the best and safest performance.

- Let your service agent regularly examine the product and make necessary adjustments and repairs.
- Replace damaged, worn or broken parts.
- Obey the instructions for how to change accessories. Only use accessories from the manufacturer.
- When not in operation, keep the product, battery and battery charger apart in a dry, indoor and locked area. Make sure that children and persons that are not approved cannot get access to the product, battery or battery charger.

Assembly

Introduction



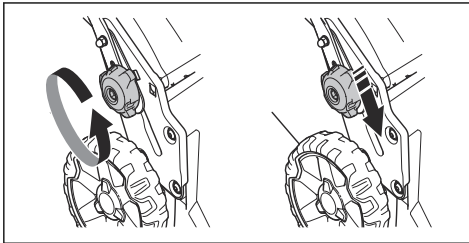
WARNING: Before you assemble the product, read the safety chapter.



WARNING: To prevent accidental start during assembly, turn the safety key to 0, remove the battery and wait at minimum 5 seconds.

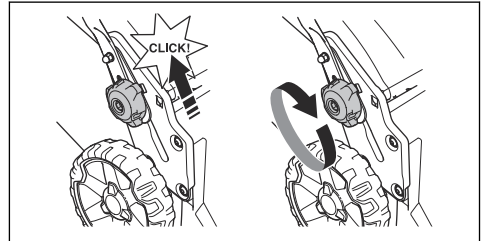
To adjust the handle

1. Loosen the lower knobs.
2. Move the knobs to the lower end of the grooves on the left and the right side of the product.



3. Set the handle height in one of the 2 available positions.

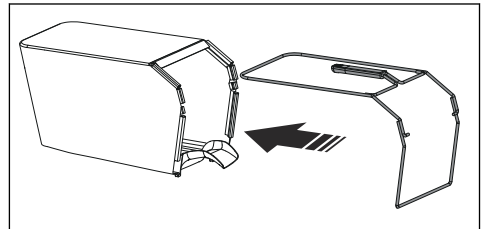
4. Move the knobs up in the direction of the handle until they stop and you hear a click.



5. Tighten the knobs fully.

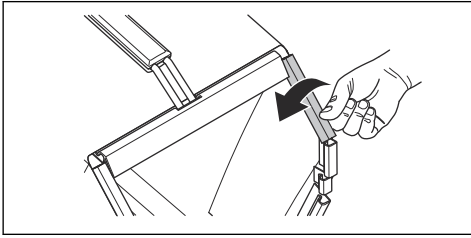
To assemble the grass catcher

1. Attach the grass catcher frame to the grass bag with the rigid part of the bag on the bottom. Keep the handle of the frame on top of the grass bag.

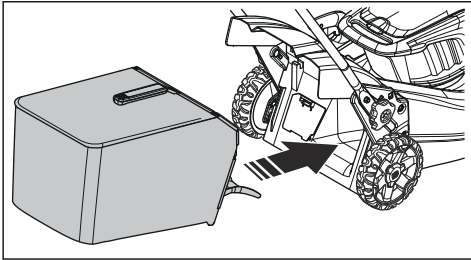


2. Attach the bottom section of the grass catcher frame in the groove on the bottom of the grass catcher.

3. Attach the grass bag to the grass catcher frame with the clips.

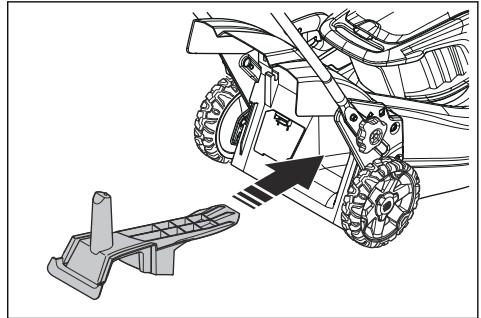


4. Lift the rear cover.
5. Attach the grass catcher to the top edge of the chassis.
6. Put the lower part of the grass catcher into the grass discharge channel.



To assemble the mulch plug (accessory)

1. Lift up the rear cover and remove the grass catcher.
2. Put the mulch plug into the discharge channel.



3. Replace the blade with the mulch blade that is supplied in the mulch kit. Refer to *To remove and replace the blade on page 19*.

Operation

Introduction



WARNING: Before you operate the product, you must read and understand the safety chapter.

Husqvarna Connect

Husqvarna Connect is a free app for your mobile device. The Husqvarna Connect app gives extended functions for your Husqvarna product:

- Extended product information.
- Information about, and help with, product parts and servicing.

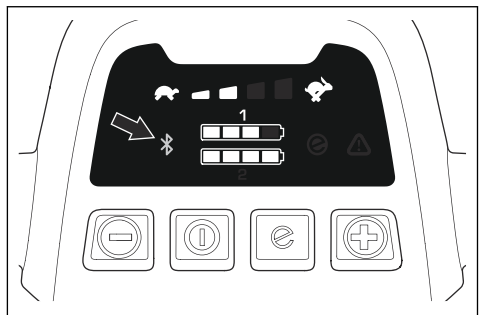
To start to use Husqvarna Connect

1. Download the Husqvarna Connect app on your mobile device.
2. Register in the Husqvarna Connect app.
3. Do the instruction steps in the Husqvarna Connect app to connect and register the product.

Bluetooth® information (LC 247iX, LC 347iVX, LC 353iVX)

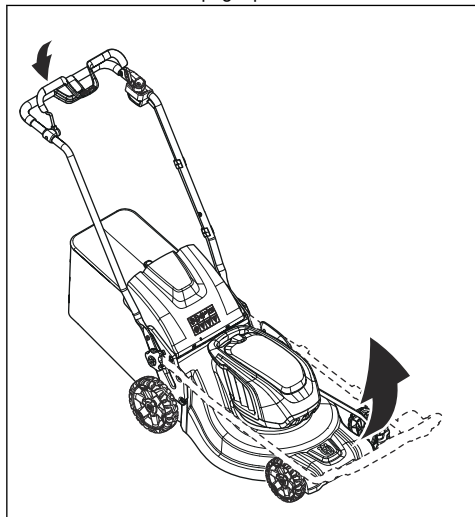
Bluetooth® wireless technology

The symbol for *Bluetooth®* wireless technology comes on when your mobile device is connected to the product.

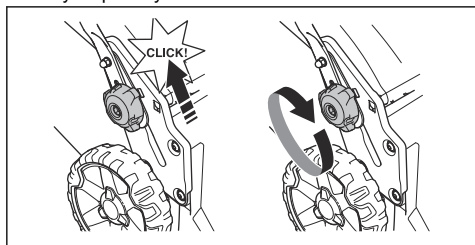


To set the product in operation position

1. Fold the handle to upright position.



2. Move the knobs up in the direction of the handle until they stop and you hear a click.



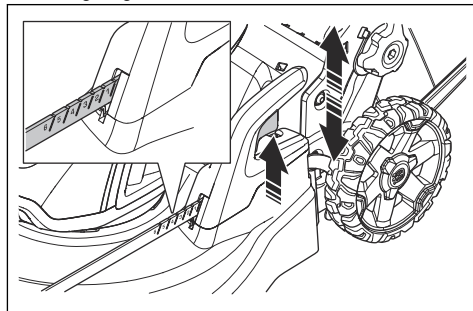
3. Tighten the knobs fully.

To set the cutting height

The cutting height can be adjusted in 6 levels.

1. Move the cutting height lever down to decrease the cutting height.

2. Move the cutting height lever up to increase the cutting height.



CAUTION: Do not set the cutting height too low. The blades can hit the ground if the surface of the lawn is not level.

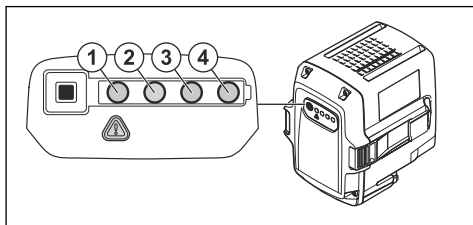
Battery



WARNING: Before you use the battery, you must read and understand the safety chapter. You must also read and understand the operator's manual for the battery and the battery charger.

Battery status

The display shows the remaining battery capacity and if there are problems with the battery. The battery capacity is shown for 5 seconds after the product is switched off or the battery indicator button is pressed. The warning symbol on the battery is on when an error has occurred. See *Battery* on page 20.



LED lights	Battery status
All LEDs are lit	Fully charged (75-100%)
LED 1, LED 2, LED 3 are lit	The battery is 50%-75% charged
LED 1, LED 2 are lit	The battery is 25%-50% charged
LED 1 is lit	The battery is 0%-25% charged.

LED lights	Battery status
LED 1 flashes	The battery is empty. Charge the battery.

LED display	Charging status
LED 1 flashes	0%-25%
LED 1 is lit, LED 2 flashes	25%-50%
LED 1, LED 2 are lit, LED 3 flashes	50%-75%
LED 1, LED 2, LED 3 are lit, LED 4 flashes	75%-100%
LED 1, LED 2, LED 3, LED 4 are lit	Fully charged

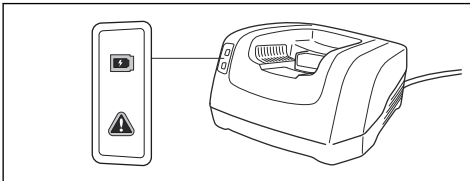
To charge the battery

Charge the battery before the first use. The battery is only 30% charged when supplied to the customer.

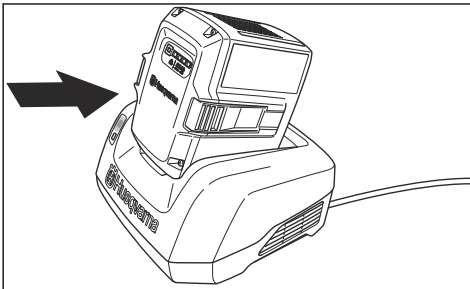
Note: The battery charger must be connected to the voltage and frequency specified on the rating plate.

The battery does not charge if the battery temperature is above 50°C. The battery charger decreases the temperature of the battery before it starts to charge.

1. Connect one end of the power cord for the battery charger into the socket of the battery charger.
2. Connect the other end of the power cord for the battery charger in an grounded mains socket. The LED on the battery charger flashes green one time.



3. Put the battery in the battery charger. The green light on the charger comes on when the battery is correctly connected to the battery charger.



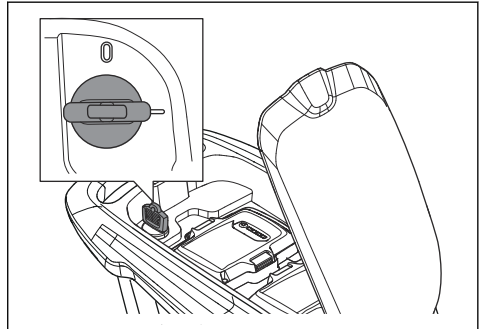
4. When all LEDs on the battery have come on the battery is fully charged. Charge the battery for maximum 24 hours.
5. To disconnect the battery charger from the mains socket, pull the plug, not the power cord.
6. Remove the battery from the battery charger.

Battery charging status

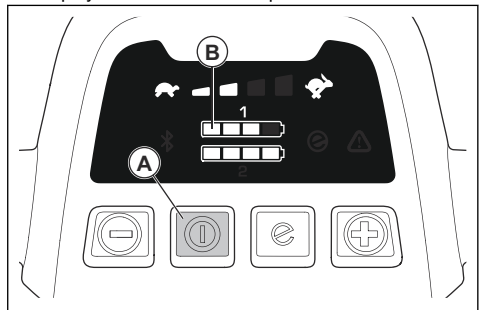
A Husqvarna Li-ion battery can be charged or used at all charging levels. The battery is not damaged. A fully charged battery will not decrease its charge when the battery is left in the charger.

To start the product

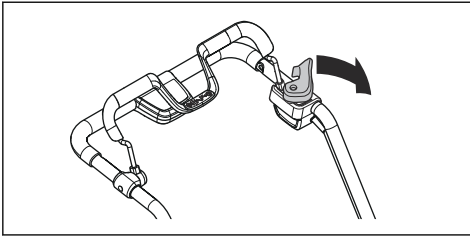
1. Open the battery lid.
2. Put a charged battery in 1 of the battery holders. For longer operation time, put a second charged battery in the other battery holder.
3. Turn the safety key to 1.



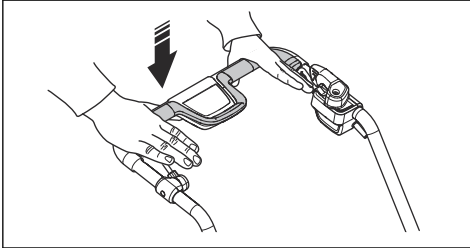
4. Stay behind the product.
5. Push the ON/OFF button (A) on the control panel. The display comes on. The battery indicator (B) shows the battery charge of the 2 batteries. The number of the battery that operates is shown adjacent to the battery indicator. For models LC 347iV, LC 347iVX, LC 353iV, LC 353iVX, the display also shows the set speed.



- Loosen the start inhibitor.

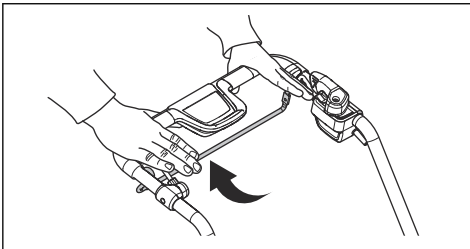


- Push the motor brake handle in the direction of the handlebar.

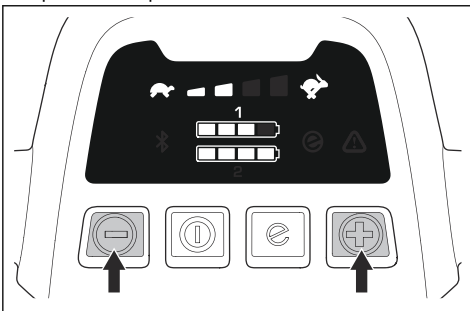


To use the drive on the wheels LC 347iV, LC 347iVX, LC 353iV, LC 353iVX

- Pull the drive bail in the direction of the handlebar to start the drive.



- Push + and - on the control panel to set the drive speed in 4 steps.

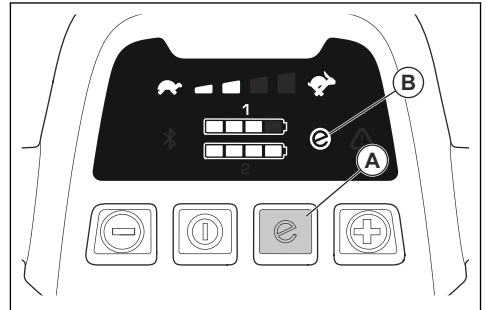


- Release the drive bail to disengage the drive, for example when you go near an obstacle.

To use the function

The product has a battery saving function () that gives longer operation time.

- Push the button (A) to start the function. The symbol (B) on the display comes on.
- Push the button again to stop the function. The symbol (B) on the display goes out.



The function stops automatically if the ground conditions make it necessary to have a higher output. The function starts automatically again when the ground conditions let it.

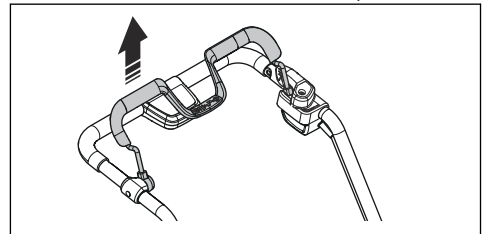
High load function

When the product cuts long or wet grass, the motor automatically increases rpm. The motor goes back to standard mode when high load is not necessary.

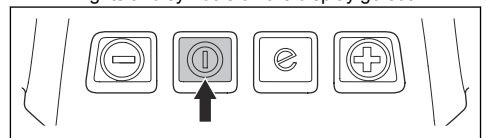
To stop the product

The product stops automatically if you do not operate it for 10 minutes. Always turn the safety key to 0 before you let the product out of view.

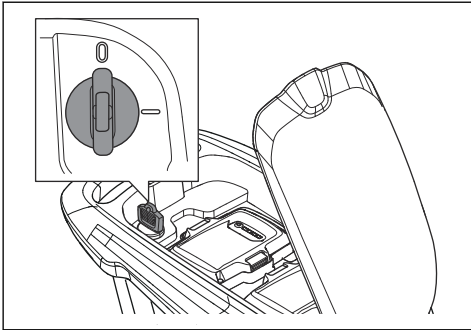
- Release the motor brake handle to stop the motor.



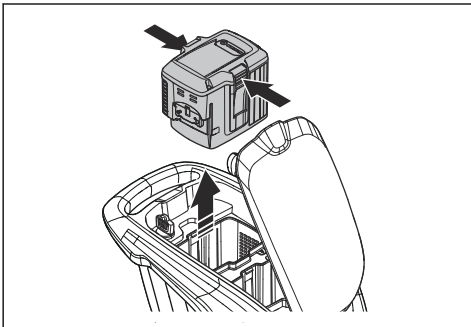
- Push the ON/OFF button on the control panel. All LED lights and symbols on the display go out.



3. Open the battery lid and turn the safety key to 0.



4. To remove the battery, push the 2 release buttons and pull out the battery.



5. Charge the battery if it is weak. For more information, refer to *To charge the battery on page 16*.

To get a good result

- Always use a sharp blade. A blunt blade gives an irregular result and the cut surface of the grass becomes yellow. A sharp blade also uses less energy than a blunt blade.
- Do not cut more than $\frac{1}{3}$ of the length of the grass. Cut first with the cutting height set high. Examine the result and lower the cutting height to an applicable level. If the grass is very long, drive slowly and cut 2 times if necessary.
- Cut in different directions each time to prevent stripes in the lawn.

To cut grass without a grass catcher or mulch plug attached

- Lift up the rear cover and remove the grass catcher.
- If a mulch plug and a mulch blade are attached, remove them.
- Close the rear cover before you operate the product.

When you operate the product, the cut grass discharges below the rear cover.

Maintenance

Introduction



WARNING: Before you do maintenance, you must read and understand the safety chapter.

For all servicing and repair work on the product, special training is necessary. We guarantee the availability of professional repairs and servicing. If your dealer is not a

service agent, speak to them for information about the nearest service agent.

Maintenance schedule

The maintenance intervals are calculated from daily use of the product. The intervals change if the product is not used daily.

For maintenance identified with * see instructions in *Safety instructions for operation on page 9*.

	Each use	Monthly	Each season
Do a general inspection	X		
Clean the product	X		
Do a check of the start inhibitor *	X		
Make sure that the safety devices on the product are not defective *	X		
Examine the cutting equipment	X		
Examine the cutting cover *	X		

	Each use	Monthly	Each season
Do a check of the motor brake handle *	X		
Make sure that the ON/OFF button operates correctly and is not defective	X		
Examine the battery for damage	X		
Do a check of the battery charge	X		
Make sure that the release buttons on the battery operates correctly and that the battery locks into the product	X		
Examine the battery charger for damage and make sure that it operates correctly.		X	
Examine the connections between the battery and the product. Also examine the connection between the battery and the battery charger.			X

To do a general inspection

- Make sure that the nuts and screws on the product are tightened.
- Make sure that the cables on the product are not in a position where they can get damaged.

To clean the product

- Clean plastic parts with a clean and dry cloth.
- Do not use water to clean the product. Water can enter the battery or the motor and cause short circuit or damage to the product.
- Do not use a high pressure washer to clean the product.
- Do not flush water directly on the motor.
- Use a brush to remove leaves, grass and dirt.

To clean the battery and the battery charger



CAUTION: Do not clean the battery or the battery charger with water.

- Make sure that the battery and the battery charger are clean and dry before you put the battery into the battery charger.
- Clean the battery terminals with compressed air or use a soft and dry cloth.
- Clean the surfaces of the battery and the battery charger with a soft and dry cloth.

To examine the cutting equipment



WARNING: To prevent accidental start, turn the safety key to 0, remove the battery and wait a minimum 5 seconds.



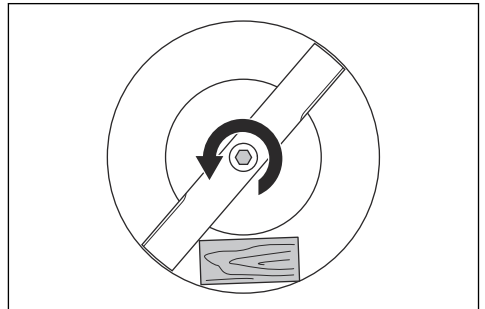
WARNING: Use protective gloves when you do maintenance on the cutting equipment. The blade is very sharp and cuts can easily occur.

1. Examine the cutting equipment for damage or cracks. Always replace a damaged cutting equipment.
2. Look at the blade to see if it is damaged or blunt.

Note: It is necessary to balance the blade after it is sharpened. Let a service center sharpen, replace and balance the blade. If you hit an obstacle that causes the product to stop, replace the damaged blade. Let the service center estimate if the blade can be sharpened or must be replaced.

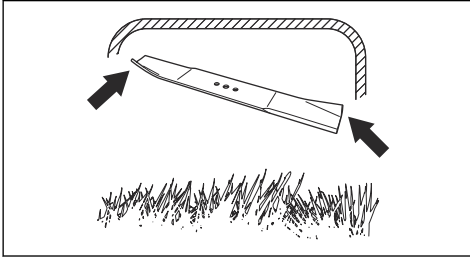
To remove and replace the blade

1. Lock the blade with a block of wood.

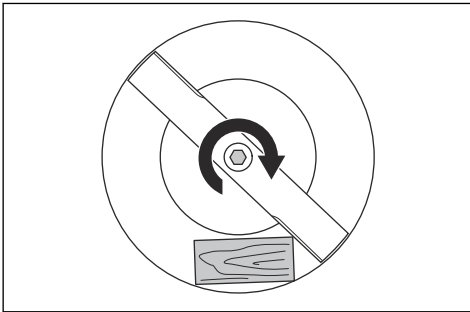


2. Remove the blade bolt.
3. Remove the blade.
4. Examine the blade support and blade bolt to see if there are damages.
5. Examine the motor shaft to make sure that it is not bent.

6. When you attach the new blade, point the angled ends of the blade in the direction of the cutting cover.



7. Make sure that the blade is aligned with the center of the motor shaft.
8. Lock the blade with a block of wood. Attach the spring washer and tighten the bolt and washer with a torque of 23–28 Nm.



9. Pull the blade around by hand and make sure that it turns freely.



WARNING: Use heavy duty gloves. The blade is very sharp and cuts can easily occur.

10. Start the product to do a test of the blade. If the blade is not correctly attached, there is vibration in the product or the cutting result is unsatisfactory.

Troubleshooting

Battery

LED on the battery	Possible faults	Possible procedure
The green LED is flashing	The battery voltage is low	Charge the battery. See <i>To charge the battery on page 16</i> .
The error LED flashes	The battery is weak	Charge the battery. See <i>Battery on page 20</i> .
	The temperature in the work environment is too high or too low	Use the battery in temperatures between -10°C and 40°C.
	Overvoltage	Check that the mains voltage is the same as on the rating plate on the product. Remove the battery from the battery charger. Wait 5 seconds and try again to charge the battery. If the problem continues, speak to an authorised service agent.
The error LED is on	Cell difference too much (1V)	Speak to an approved service agent.

Battery charger

LED on the battery charger	Possible faults	Possible procedure
The error LED flashes	The temperature in the work environment is too high or too low	Use the battery charger in temperatures between 5°C and 40°C.
The error LED is on		Speak to an approved service agent

Control panel

Keypad	Error code (Number of flashes)	Possible faults	Possible action
Error LED flashes	3	The motor is overloaded	Increase the cutting height. Refer to <i>To set the cutting height on page 15</i> .
	5	The motor speed drops too much, and the motor stops	
	10	The motor control is too hot	Stop the motor and wait until it has become cool
	2	The blade is blocked	To prevent accidental start turn the safety key to 0, remove the battery and wait a minimum 5 seconds. Make sure that the blade can rotate freely. If the problem continues, speak to an authorised service agent
	9	Battery error or no signal from battery	Put the battery in the product correctly and examine the battery connector. If the error LED on the battery flashes. Refer to <i>Battery on page 15</i> .
The product stops	8	The battery is weak	Charge the battery. Refer to <i>To charge the battery on page 16</i> .
	0	Battery connector failure	Examine the battery connector
Other errors	If other errors occur, turn the safety key to 0, remove the battery and speak to an approved service agent.		

Transportation, storage and disposal

Introduction

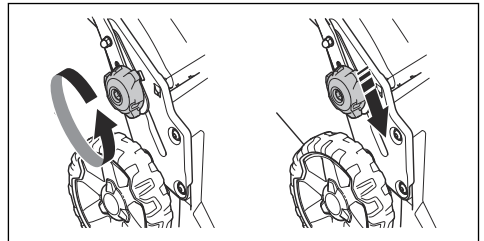


WARNING: To prevent unintentional start during transport turn the safety key to "0", remove the battery and wait at least 5 seconds.

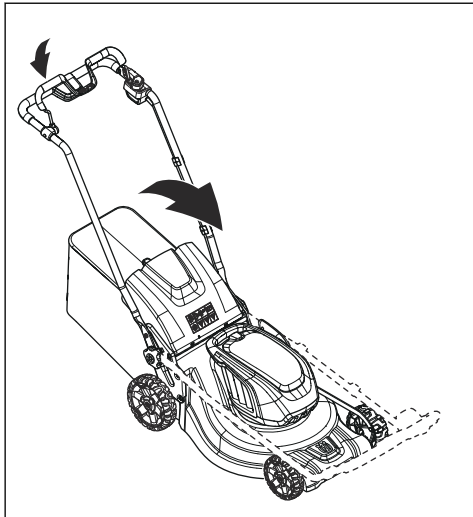
To set the product in transport position

1. Loosen the lower knobs.

2. Move the knobs to the lower end of the grooves on the left and the right side of the product.



3. Fold the handle forward.



4. Remove the grass catcher.

Transportation

- The Dangerous Goods Legislation requirements apply to the contained Li-ion batteries.
- For commercial transports special requirements on package and labels must be obeyed.
- Make sure that you obey the regulations for dangerous material when you prepare the product for transport. Local regulations can apply.
- Always remove the battery for transport.
- Put tape on the battery connectors and make sure that the battery cannot move around during transport.
- Attach the product during transport.

Storage

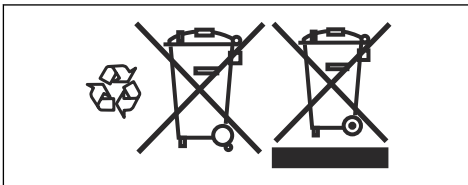
- Always remove the battery for storage.
- To prevent accidents, make sure that the battery is not connected to the product during storage.

- Keep the battery charger in a closed and dry space.
- Keep the battery and the battery charger in a dry space where there is no moisture or frost.
- Disconnect the battery from the battery charger during storage.
- Do not keep the battery where static electricity can occur. Do not keep the battery in a metal box.
- Keep the battery where the temperature is between 5°C and 25°C and out of sunlight.
- Keep the battery charger where the temperature is between 5°C and 45°C and out of sunlight.
- Make sure that the battery is charged to 30% - 50% before you put it in storage for long periods.
- Keep the product, battery and battery charger in a locked area out of reach for children and not approved persons.
- Clean the product and do a complete servicing before you put the product in storage for a long time.

Disposal

Symbols on the product or the packaging of the product indicate that this product cannot be handled as domestic waste. It must be submitted to an appropriate recycling station for the recovery of electrical and electronic equipment.

By ensuring that this product is taken care of correctly, you can help to counteract the potential negative impact on the environment and people that can otherwise result through the incorrect waste management of this product. For more detailed information about recycling this product, contact your municipality, your domestic waste service or the shop from where you purchased the product.



Technical data

Technical data

	LC 247IX/LC 247I	LC 347IVX/LC 347IV	LC 353IVX/LC 353IV
Cutting motor			
Motor type	BLDC (brushless) 36V	BLDC (brushless) 36V	BLDC (brushless) 36V
Motor speed – SavE, rpm	2600	2600	2600
Motor speed – Nominal, rpm	3000	3000	3000

	LC 247iX/LC 247i	LC 347iVX/LC 347iV	LC 353iVX/LC 353iV
Motor speed – High load, rpm	3500	3500	3500
Motor output – max. kW	0.96	0.96	1.05
Motor output – Nominal, kW	0.75	0.75	0.9
Drive motor			
Motor output – Nominal, kW	N/A	0.25	0.25
Self walk speed, km/h	N/A	3.0–4.5	3.0–4.5
Speed adjustment levels	N/A	4	4
Weight			
Weight without battery, kg	24	26	28
Battery			
Type of battery	Husqvarna Battery Series	Husqvarna Battery Series	Husqvarna Battery Series
Battery runtime			
Battery runtime, min. (free run) with SavE activated, with one Husqvarna 5.2 Ah battery (Bli200).	43	43	32
Battery runtime, min. (free run) with standard mode activated, with one Husqvarna 5.2 Ah battery (Bli200).	30	30	20
Noise emissions ¹			
Sound power level, measured dB (A)	94	94	97
Sound power level, guaranteed L _{WA} dB (A)	95	95	98
Sound levels ²			
Sound pressure level at the operator's ear, dB (A)	82	82	86
Vibration levels ³			
Handle, m/s ²	0.42	0.42	2.64
Cutting equipment			
Cutting height, mm	20-75 mm	20-75 mm	20-75 mm
Cutting width, cm	47	47	53
Blade Standard	Collect 5905934-10	Collect 5905934-10	Collect 5940757-10
Blade accessory	Mulch 5907010-10	Mulch 5907010-10	Mulch 5950072-10

¹ Noise emissions in the environment measured as sound power (L_{WA}) in conformity with EC directive 2000/14/EC.

² Reported data for noise pressure level has a typical statistical dispersion (standard deviation) of 1.2 dB (A).

³ Reported data for vibration level has a typical statistical dispersion (standard deviation) of 0.2 m/s². Vibration standard EN 60335-2-77:2017 chapter 20.105

	LC 247iX/LC 247i	LC 347iVX/LC 347iV	LC 353iVX/LC 353iV
Grass catcher capacity, liters	55	55	60

Radio frequency data for Bluetooth®	LC 247iX	LC 347iVX	LC 353iVX
Frequency band, GHz	2.4-2.4835	2.4-2.4835	2.4-2.4835
Output power, max. dBm	4	4	4

Approved batteries	Type	Battery capacity, Ah	Voltage, V	Weight, lb/kg
BLi20	Lithium-ion	4.0	36	2.6/1.2
BLi30	Lithium-ion	7.7	36	4.2/1.9
BLi200	Lithium-ion	5.2	36	2.8/1.3
BLi300	Lithium-ion	9.4	36	4.1/1.9

Approved chargers for the specified batteries, BLi	Input voltage, V	Frequency, Hz	Power, W
QC80	100–240	50–60	80
QC80F	12	0	80
QC250	100–240	50–60	250
QC330	100–240	50–60	330
QC500	100–240	50–60	500

EC Declaration of Conformity

EC Declaration of Conformity

Husqvarna AB, SE-561 82 Huskvarna, Sweden, tel: +46-36-146500, declares that the **lawn mower Husqvarna LC 247i, LC 247iX, LC 347iV, LC 347iVX, LC 353iV, LC 353iVX** from the year 2018 and onwards, complies with the requirements of the COUNCIL'S DIRECTIVE:

- of June 8, 2011 on the "restriction of use of certain hazardous substances" **2011/65/EU**
- of May 17, 2006 "relating to machinery" **2006/42/EC**
- of May 8, 2000 "relating to the noise emissions in the environment" **2000/14/EC**

For information relating to noise emissions, see *Technical data on page 22*.

The following standards have been applied:

EN/IEC 60335-1, EN/IEC 60335-2-77, EN/IEC 62233, EN 55014-1, EN ETSI 301 489-7 v1.3.1, EN 61000-6,

ETSI EN 61000-6-1, EN 300 328 BT low energy Tx/Rx, EN 50581

If not otherwise stated, the above listed standards are the latest published versions.

Notified body: **0404, RISE SMP Svensk Maskinprovning AB, Box 7035, SE-750 07 Uppsala** has performed conformity assessment according to Annex VI of directive 2000/14/EC.

Huskvarna, 2020-04-22



Claes Losdal, Development Manager/Garden Products
(Authorized representative for Husqvarna AB and responsible for technical documentation)

Registered trademarks

The *Bluetooth®* word mark and logos are registered trademarks owned by *Bluetooth SIG, inc.* and any use of such marks by Husqvarna is under license.

Съдържание

Въведение.....	26	Отстраняване на проблеми.....	47
Безопасност.....	30	Транспортиране, съхранение и изхвърляне.....	49
Монтаж.....	39	Технически данни.....	50
Операция.....	41	Декларация за съответствие на ЕО.....	53
Поддръжка.....	45	Регистрирани търговски марки.....	53

Въведение

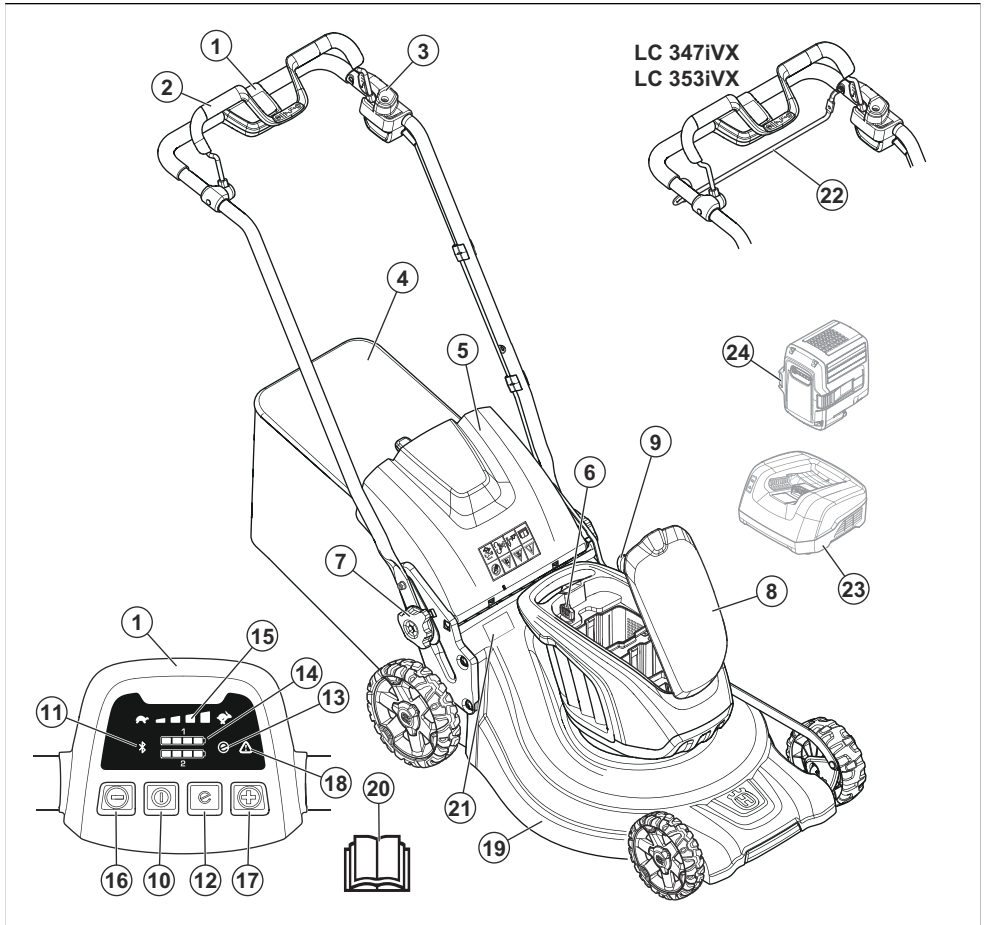
Описание на продукта

Продуктът е пешеходна ротационна косачка. Тревата се събира в кош за трева. Свалете коша за трева, за да се получи задно разтоварване на тревата. Поставете комплект за мулчиране (допълнителна принадлежност), за да нарежете тревата в тора.

Предназначение

Използвайте продукта за косене на трева. Не използвайте продукта за други задачи.

Общ преглед на продукта



- | | |
|---|--|
| 1. Пулт за управление | 15. Индикатор за изравняване на скоростта (LC 347iV, LC 347iVX, LC 353iV, LC 353iVX) |
| 2. Ръкохватка за спиращката на двигателя | 16. Бутон за намаляване на скоростта (LC 347iV, LC 347iVX, LC 353iV, LC 353iVX) |
| 3. Инхибитор за стартиране | 17. Бутон за увеличаване на скоростта (LC 347iV, LC 347iVX, LC 353iV, LC 353iVX) |
| 4. Кош за трева | 18. Светодиод за грешка |
| 5. Заден капак | 19. Капак срещу порязване |
| 6. Ключ за безопасност | 20. Инструкция за експлоатация |
| 7. Въртяща се ръкохватка | 21. Типова табелка |
| 8. Капак на батерията | 22. Дръжка за задвижване (LC 347iV, LC 347iVX, LC 353iV, LC 353iVX) |
| 9. Управление на височината на рязане | 23. Зарядно устройство за акумулатор (Принадлежност) |
| 10. Бутон за ВКЛ./ИЗКЛ. | 24. Акумулатор (Принадлежност) |
| 11. Индикатор за Bluetooth® безжична технология | |
| 12. Бутон SavE | |
| 13. Индикатор за SavE | |
| 14. Индикатор за акумулатора | |

Символи върху машината



ПРЕДУПРЕЖДЕНИЕ!
Внимавайте и използвайте продукта правилно. Този продукт може да причини сериозно нараняване или смърт на оператора и други хора.



Прочетете внимателно ръководството за оператора и се уверете, че разбирате инструкциите, преди да използвате машината.



Дръжте хората и животните на безопасно разстояние от работната зона.



Пазете се от отскачащи предмети и рикошети.



Предупреждение:
Дръжте ръцете и краката си далеч от въртящия се нож.



Предупреждение:
Дръжте ръцете и краката си далеч от въртящи се части.



Отстранете ключа за безопасност преди извършването на поправка или поддръжка.



Не излагайте на дъжд.



Продуктът или опаковката на продукта не е битов отпадък.
Рециклирайте го в пункт за рециклиране за електрическо и електронно оборудване.



Този продукт е в съответствие с приложимите директиви на ЕО.



Този продукт е в съответствие с приложимите директиви на Евразийския икономически съюз.



Този продукт е в съответствие с приложимите директиви на UkrSEPRO.



Този продукт е в съответствие с приложимите директиви на Устройства за наблюдение и контрол на остатъчен ток за битова и подобна употреба (RCM). Важи само за AU/NZ



Шумови емисии към околната среда съгласно Европейска директива 2000/14/ЕО и законодателството на Нов Южен Уелс "Регламент 2017 относно защитата от дейности, оказващи влияние на околната среда (контрол на шума)". Данните за шумови емисии могат да бъдат намерени на етикета на машината и в главата „Технически характеристики“.

IPX1 Този продукт е защитен от капки.

Процедура за пускане: натиснете бутона ON/OFF (ВКЛ./ИЗКЛ.), разплавете инхибитора за стартиране, натиснете ръкохватката за спирачката на двигателя надолу.



Освободете ръкохватката на спирачката на двигателя, за да спрете.



Бавно



Бързо



Код с възможност за сканиране

Забележка: Останалите символи/стикери на машината се отнасят до изисквания по отношение на сертификати за определени пазари.

Етикет върху продукта



Дръжте ръцете и краката си далеч от въртящите се ножове.

Отговорност за продукта

Както е посочено в законите за отговорност за вреди, причинени от стоки, ние не носим отговорност за щети, причинени от нашия продукт, ако:

- продуктът е неправилно ремонтиран.
- продуктът е ремонтиран с части, които не са от производителя или не са одобрени от производителя.
- продуктът има принадлежност, която не е от производителя или не е одобрена от производителя.
- продуктът не е ремонтиран в одобрен сервизен център или от одобрен орган.

Безопасност

Дефиниции за безопасност

Предупреждения, знаци за внимание и бележки се използват за указване на особено важни части на инструкцията.



ПРЕДУПРЕЖДЕНИЕ: Използва се, ако има опасност от нараняване или смърт за оператора или за околните, ако не се спазват инструкциите в ръководството.



ВНИМАНИЕ: Използва се, ако има опасност от повреждане на машината, други

материали или съседната зона, ако не се спазват инструкциите в ръководството.

Забележка: Използва се за предоставяне на повече информация, която е необходима в дадена ситуация.

Общи инструкции за безопасност



ПРЕДУПРЕЖДЕНИЕ: Прочетете следващите предупредителни указания, преди да използвате машината.

- Този продукт е опасен, ако се използва неправилно или ако не сте внимателни. Неспазването на инструкциите за безопасност може да доведе до нараняване или смърт.
- Тази машина създава електромагнитно поле по време на работа. При някои условия това поле може да интерферира с активни или пасивни медицински имплантанти. За да намалите риска от тежко или смъртоносно нараняване, ние препоръчваме лицата с медицински импланти да говорят с лекаря си и производителя на медицинския имплант, преди да започнат да работят с тази машина.
- Винаги бъдете внимателни и подхождайте разумно. Ако не сте сигурни как да работите с продукта при специална ситуация, спрете и се обърнете към Вашия дилър на Husqvarna, преди да продължите.
- Имайте предвид, че операторът носи отговорност за нещастни случаи, включващи други хора или тяхното имущество.
- Поддържайте продукта чист. Уверете се, че разчитате ясно знаците и стикерите.
- Никога не позволявайте на деца или на хора, незапознати с тези инструкции, да използват уреда. Местните разпоредби може да поставят възрастови ограничения за оператора
- Винаги наблюдавайте лица с намален физически или умствен капацитет, които използват продукта. През цялото време трябва да присъства отговорен възрастен.
- Не използвайте продукта, ако сте уморени, болни или под въздействието на алкохол, наркотици или лекарства. Това състояние оказва отрицателно въздействие върху Вашето зрение, бдителност, координация и преценка.
- Не използвайте продукта, ако е неизправен.
- Не променяйте този продукт или не го използвайте, ако има вероятност той да е бил променен от друг.

Безопасност на работната област



ПРЕДУПРЕЖДЕНИЕ:

Прочетете следващите предупредителни указания, преди да използвате машината.

- Отстранете препятствия като клони, пръчки и камъни от работната зона, преди да използвате продукта.
- Обектите, които се удрят в режещото оборудване, могат да бъдат изхвърлени и да причинят нараняване на лицата и щети на предметите. Дръжте страничните наблюдатели и животните на безопасно разстояние от продукта.
- Никога не използвайте продукта в лошо време – например при мъгла, дъжд, силни ветрове, много силен студ и риск от мълнии. Използването на продукта в лошо време или върху влажни или мокри терени е изморително. Лошото време може да създаде опасни условия, като например хлъзгави повърхности.
- Внимавайте за лица, предмети и ситуации, които

могат да са причина за намаляване на безопасната работа на продукта.

- Внимавайте за препятствия като корени, камъни, клони, ями и канавки. Дългата трева може да крие препятствия.
- Косенето на трева на склон може да бъде опасно. Не косете прекомерно стръмни склонове. Не работете с продукта, когато наклонът на повърхността е повече от 15°
- Бъдете изключително внимателни, когато сменят посоката на движение по наклони. Използвайте продукта напречно на склона. Не се движете нагоре и надолу.
- Внимавайте, когато преминавате покрай закриват ъгли и предмети, които скриват зрителното Ви поле.

Безопасност при работа



ПРЕДУПРЕЖДЕНИЕ:

Прочетете следващите предупредителни указания, преди да използвате машината.

- Използвайте този продукт само за косене на морави. Не се допуска използването му за други цели.
- Използвайте лични предпазни средства. Вижте *Лични предпазни средства на страница 34*.
- Уверете се, че знаете как бързо да спрете двигателя при аварийна ситуация.
- Не използвайте продукта при дъжд или влага. Опасността от токов удар се повишава при навлизане на вода в продукта.
- Не работете с продукта, докато ножът и всички капаци не се монтират правилно. Неправилно монтираният нож може да се разхлаби и да причини телесна повреда.
- Уверете се, че ножът няма да се удря в обекти, като например камъни и корени. Това може да доведе до повреда на ножа и до огъване на двусекционния вал на двигателя. Огънатата ос предизвиква силни вибрации и има много голяма опасност ножът да се разхлаби.
- Ако ножът се удари в някакъв обект или се получат вибрации, спрете веднага продукта. Спрете двигателят, завъртете ключа за безопасност на 0 и отстранете акумулатора. Проверете продукта за повреди. Ремонтирайте повредите или потърсете оторизиран сервиз за това.
- Никога не прикрепяйте ръкохватката за спиращката на двигателя за постоянно върху дръжката, когато двигателят е стартиран.
- Поставете продукта върху стабилна, равна повърхност и го стартирайте. Уверете се, че ножът не се допира в земята или в други предмети.
- Винаги стойте зад продукта, когато го използвате.
- Всички колела трябва да бъдат на земята и да държите дръжката с 2 ръце, когато работите с продукта. Дръжете ръцете и краката си далеч от въртящите се остриета.
- Не накланяйте продукта при стартиран двигател.
- Бъдете внимателни, когато дърпате продукта назад.
- Никога не повдигайте продукта при стартиран двигател. Ако се наложи да

вдигате продукта, първо спрете двигателя, завъртете ключа за безопасност на 0 и отстранете акумулатора.

- Не се движете назад при работа с продукта.
- Спрете двигателя, когато преминавате през области без трева, като например пътеки от чакъл, камък и асфалт.
- Не тичайте с продукта, докато двигателят работи. Винаги ходете, когато работите с продукта.
- Спрете двигателя, преди да промените височината на рязане. Никога не регулирайте при стартиран двигател.
- Никога не оставяйте продукта без надзор, когато двигателят работи. Спрете двигателя и се уверете, че режещото оборудване не се върти.

Инструкции за безопасност за работа

Лични предпазни средства



ПРЕДУПРЕЖДЕНИЕ: Прочетете следващите предупредителни указания, преди да използвате машината.

- Личните предпазни средства не изключват изцяло риска от нараняване, но намаляват степента на нараняването при злополука. Нека вашият дилър Ви помогне да изберете подходящото оборудване.
- Носете ботуши или обувки, устойчиви на хлъзгане. Не носете отворени обувки и не ходете боси.
- Използвайте дълги панталони от здрав плат.
- Когато е необходимо, носете защитни ръкавици, например, когато закрепвате, проверявате или почиствате режещото оборудване.

Приспособления за безопасност на машината



ПРЕДУПРЕЖДЕНИЕ: Прочетете следващите предупредителни указания, преди да използвате машината.

- Не използвайте машина с неизправни приспособления за безопасност.
- Проверявайте редовно приспособленията за безопасност. Ако

приспособленията за безопасност са дефектни, говорете с Вашия сервиз Husqvarna.

За проверка на капака срещу порязване

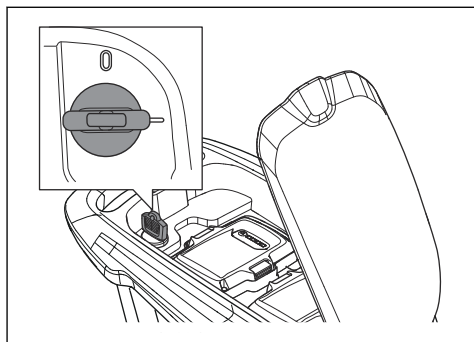
Капакът срещу порязване намалява вибрациите в продукта и опасността от нараняване, причинени от острието.

- Проверете капака срещу порязване, за да се уверите, че няма повреди, като например пукнатини.

Ключ за безопасност

Ключът за безопасност е под капака на акумулатора. Ключът за безопасност свързва акумулатора, който захранва двигателя с енергия.

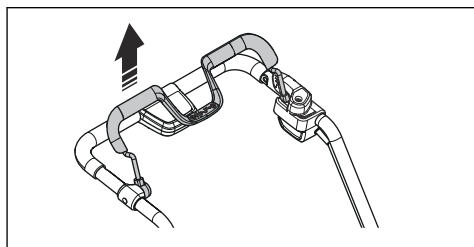
- Стартирайте и спрете двигателя, за да извършите проверка на ключа за безопасност.
- Ако ключът за безопасност работи правилно, двигателят стартира само когато ключът е в положение 1.



Ръкохватка за спирачката на двигателя

Ръкохватка за спирачката на двигателя спира двигателя. Когато ръкохватката за спирачката на двигателя бъде пусната, двигателят спира.

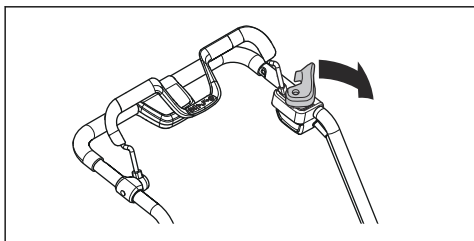
За да извършите проверка на спирачката на двигателя, стартирайте двигателя и след това отпуснете ръкохватката за спирачката на двигателя. Ако двигателят не спре след 3 секунди, позволете на одобрен сервиз на Husqvarna да регулира спирачката на двигателя.



За да проверите блокировката на пускането

Направете проверка на блокировката на пускане, за да се уверите, че тя не допуска работата на двигателя.

1. Натиснете ръкохватката за спирачката на двигателя по посока на управлението. Блокировката на пускането спира движението.
2. Натиснете блокировката на пускането навън.



3. Освободете блокировката на пускането и се уверете, че тя се е върнала в първоначалното си положение.

Инструкции за безопасност за батерията



ПРЕДУПРЕЖДЕНИЕ:
Прочетете следващите
предупредителни

указания, преди да
използвате машината.

- Използвайте акумулаторни батерии Husqvarna като източник на захранване само на продукти Husqvarna. За да предотвратите нараняване, не използвайте акумулатора като източник на захранване за други устройства.
- Не използвайте батерии, които не се презареждат.
- Опасност от електрически удар. Не свързвайте клемите на акумулатора с ключове, монети, винтове или други метални предмети. Това може да доведе до късо съединение на акумулатора.
- Не поставяйте предмети във въздушните отвори на акумулатора.
- Съхранявайте акумулатора далеч от слънчева светлина, топлина или открит огън. Акумулаторът може да се взриви и да причини изгаряния и/или химически изгаряния.
- Съхранявайте акумулатора далеч от дъжд или влага.
- Съхранявайте акумулаторната батерия

далеч от микровълни и високо налягане.

- Не се опитвайте да разглобите или счупите акумулатора.
- Ако има в акумулатора има теч, не оставяйте течността да влиза в контакт с тялото и очите. Ако докоснете течността, измийте мястото с обилно количество вода и потърсете медицинска помощ.
- Използвайте акумулатора при температури между -10°C и 40°C .
- Не почиствайте батерията или зарядното устройство с вода. Вижте *За почистване на акумулатора и зарядното устройство на страница 46*.
- Не използвайте дефектен или повреден акумулатор.
- Съхранявайте акумулаторите далеч от метални предмети като пирони, монети, бижута.

Инструкции за безопасност за зарядното устройство на акумулаторната батерия



ПРЕДУПРЕЖДЕНИЕ:
Прочетете следващите предупредителни

указания, преди да използвате машината.

- Използвайте зарядните устройства QC за зареждане само на резервни акумулатори Husqvarna.
- Опасност от токов удар или късо съединение. Не поставяйте предмети във въздушните отвори на зарядното устройство. Не опитвайте да демонтирате зарядното устройство. Не свързвайте клемите на зарядното устройство към метални предмети. Използвайте одобрен електрически контакт.
- Тази машина създава електромагнитно поле по време на работа. При някои условия това поле може да интерферира с активни или пасивни медицински имплантанти. За да намалите риска от сериозно или смъртоносно нараняване, ние препоръчваме лицата с медицински импланти да говорят с лекаря си и производителя на медицинския имплант, преди да започнат да работят с този продукт.

- Редовно проверявайте дали кабелът на зарядното устройство на акумулатора не е повреден и напукан.
- Не вдигайте зарядното устройство, като го държите за кабела. За да изключите зарядното устройство от стенния контакт, дръпнете щепсела. Не дърпайте захранващия шнур.
- Дръжте захранващия кабел и удължаващите шнурове далеч от вода, масло или остри ръбове. Уверете се, че кабелът не е защитан от врати, огради и подобни. Това може да доведе до напрежение в зарядното устройство.
- Не почиствайте зарядното устройство с вода.
- Това зарядно устройство може да се използва от деца на възраст от 8 години нагоре и лица с физически, сетивни или умствени способности или без знания и опит, ако са под надзор или са получили инструкции за безопасното използване на зарядното устройство и разбират свързаните с това рискове. Децата не трябва да си играят със зарядното устройство. Почистването и потребителската поддръжка не трябва да се извършват от деца без надзор.
- Не зареждайте акумулатори без възможност за зареждане в зарядното устройство.
- Не използвайте зарядното устройство близо до запалими материали или материали, които причиняват корозия. Не покривайте зарядното устройство. Ако има дим или огън, извадете щепсела на зарядното устройство.
- Не използвайте дефектно или повредено зарядно устройство.
- Зареждайте акумулатора само на закрито, в помещение с добра вентилация и далеч от слънчева светлина. Не зареждайте акумулатора във влажна условия.

Инструкции за безопасност при техническо обслужване



ПРЕДУПРЕЖДЕНИЕ:
Прочетете следващите предупредителни указания, преди да използвате машината.

- За да предотвратите случайно стартиране по

време на техническо обслужване, завъртете ключа за безопасност на 0 и извадете акумулатора. Изчакайте най-малко 5 секунди преди да започнете техническото обслужване.

- Извършете правилно техническото обслужване, за да увеличите срока на експлоатация на продукта и да намалите опасността от инциденти. Възложете извършването на професионалните ремонтни дейности на упълномощен сервиз. За повече информация говорете с най-близкия до Вас сервиз.
- Изпълнявайте стъпките от техническото обслужване, посочени в тази инструкция за експлоатация. По-значителни ремонтни дейности трябва да се изпълняват от одобрен сервиз.
- Сложете ръкавици за тежки условия, когато използвате режещото оборудване.

Ножът е много остър и можете лесно да се порежете.

- Поддържайте режещите краища остри и чисти за най-добра и безопасна производителност.
- Редовно проверявайте продукта при Вашия сервиз и извършвайте необходимите корекции и ремонтни дейности.
- Заменете повредени, износени или счупени части.
- Следвайте инструкциите за смяна на аксесоарите. Използвайте само аксесоари от производителя.
- Когато не ги използвате, съхранявайте продукта, акумулатора и зарядното устройство отделно на закрито сухо и заключено място. Уверете се, че деца и лица, които не са одобрени, не могат да получат достъп до продукта, акумулатора или зарядното устройство.

Монтаж

Въведение



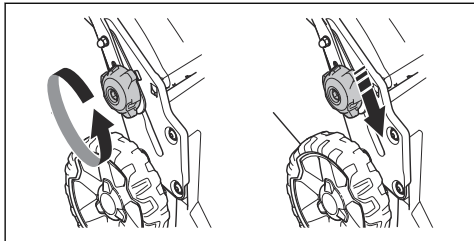
ПРЕДУПРЕЖДЕНИЕ: Преди да сглобите машината, прочетете главата за безопасност.



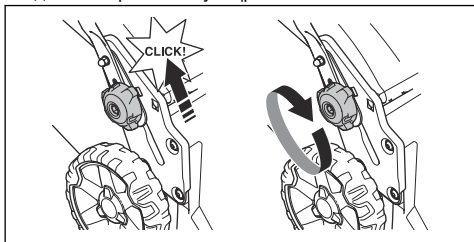
ПРЕДУПРЕЖДЕНИЕ: За да предотвратите случайно стартиране по време на монтаж, завъртете ключа за безопасност на 0, отстранете акумулатора и изчакайте най-малко 5 секунди.

За регулиране на ръкохватката

1. Разхлабете долните копчета.
2. Преместете фиксаторите към долния край на каналите от лявата и дясната страна на продукта.



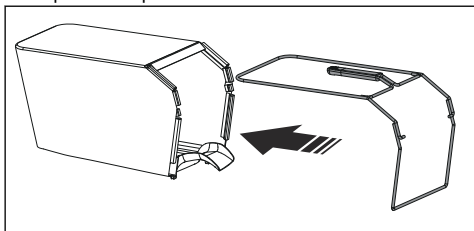
3. Задайте височината на дръжката в едно от 2 възможни положения.
4. Преместете фиксаторите по посока на дръжката, докато спрат и се чуе щракване.



5. Затегнете напълно фиксаторите.

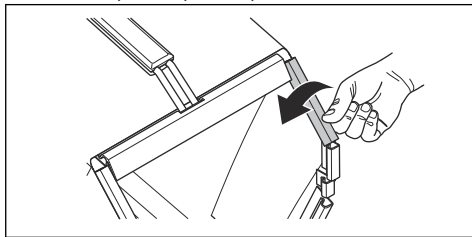
За сглобяване на коша за трева

1. Прикрепете рамката на коша за трева към торбата за събиране на трева, като твърдата част на торбата трябва да е надолу. Дръжте ръкохватката на рамката от горната страна на торбата за трева.

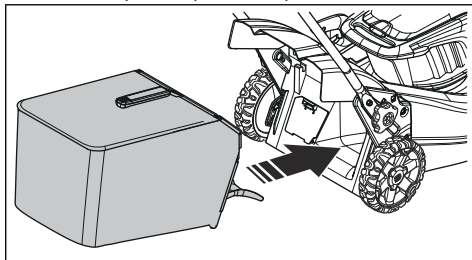


2. Прикрепете долната секция на рамката на коша за трева в канала от долната страна на коша за трева.

3. Прикрепете торбата за трева към рамката на коша за трева с фиксаторите.

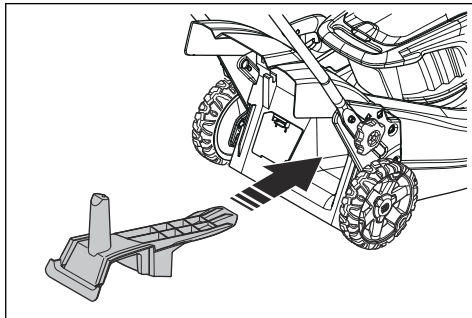


4. Вдигнете задния капак.
5. Прикрепете коша за трева към горния ръб на шасито.
6. Поставете долната част на коша за трева в канала за разтоварване на тревата.



За монтиране на приставката за мулчиране (аксесоар)

1. Повдигнете задния капак и извадете коша за трева.
2. Поставете приставката за мулчиране в канала за разтоварване на тревата.



3. Заменете ножа с ножа за мулчиране, доставен в комплекта за мулчиране. Вижте *За да извадите и смените ножа на страница 47.*

Операция

Въведение



ПРЕДУПРЕЖДЕНИЕ: Преди работа с продукта трябва да прочетете и разберете главата за безопасност.

Husqvarna Connect

Husqvarna Connect е безплатно приложение за Вашето мобилно устройство. Приложението Husqvarna Connect осигурява разширени функции за Вашия продукт на Husqvarna:

- Разширена продуктова информация.
- Информация и помощ за частите на продукта и сервисното обслужване.

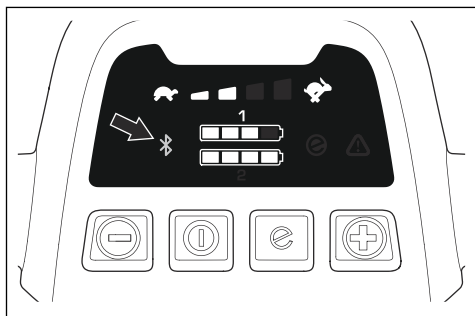
За да започнете да използвате Husqvarna Connect

1. Изтеглете приложението Husqvarna Connect на Вашето мобилно устройство.
2. Регистрирайте се в приложението Husqvarna Connect.
3. Изпълнете стъпките с инструкции в приложението Husqvarna Connect, за да свържете и регистрирате продукта.

Информация за Bluetooth® (LC 247iX, LC 347iVX, LC 353iVX)

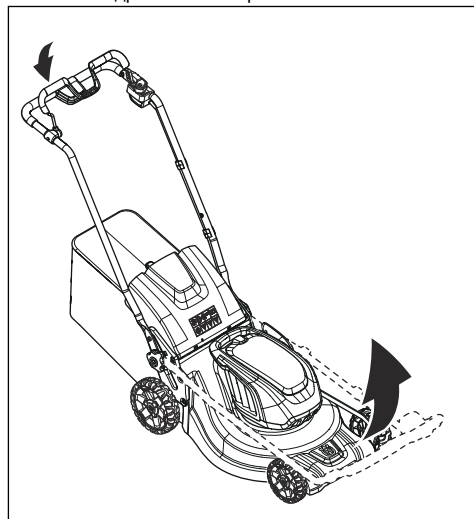
Bluetooth® безжична технология

Символът за *Bluetooth*® безжична технология се появява, когато Вашето мобилно устройство е свързано към продукта.

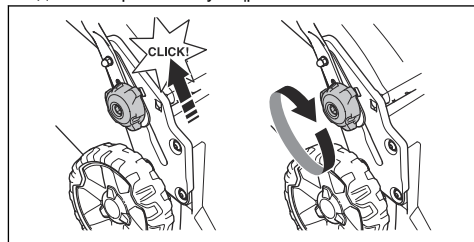


Задаване на продукта в положение за работа

1. Сгънете дръжката в изправено положение.



2. Преместете фиксаторите по посока на дръжката, докато спрат и се чуе щракване.



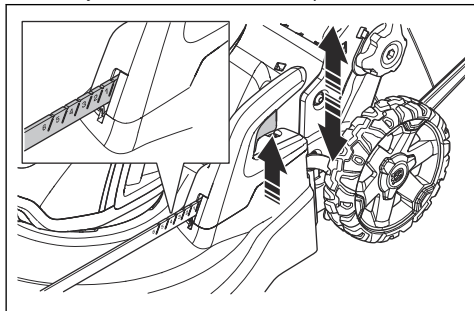
3. Затегнете напълно фиксаторите.

За регулиране на височината на рязане

Височината на рязане може да бъде регулирана в 6 нива.

1. Преместете надолу лоста за височина на рязане, за да намалите височината на рязане.

2. Преместете нагоре лоста за височина на рязане, за да увеличите височината на рязане.



ВНИМАНИЕ: Не настройвайте твърде ниска височина на рязане. Ножовете могат да се ударят в земята, ако повърхността на моравата не е равна.

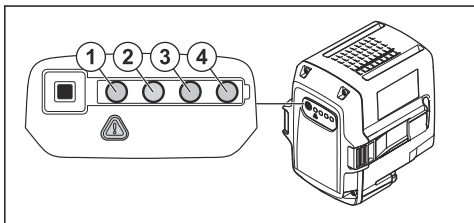
Акумулатор



ПРЕДУПРЕЖДЕНИЕ: Преди да използвате акумулатора, трябва да прочетете и разберете главата за безопасност. Вие трябва също да прочетете и разберете ръководството на оператора за акумулатора и зарядното устройство.

Статус на батерията

Дисплеят показва оставащия капацитет на акумулатора и дали има проблеми с него. Капацитетът на акумулатора се показва за 5 секунди, след като продуктът бъде изключен или бутонът за индикатора на акумулатора бъде натиснат. Символът за предупреждение върху акумулатора се включва, когато има грешка. Вижте *Акумулатор на страница 47*.



Светодиодни лампи	Статус на батерията
Всички светодиоди светят	Напълно зареден (75 – 100%)
Светодиоди 1, 2, 3 светят	Акумулаторът е зареден на 50% – 75%

Светодиодни лампи	Статус на батерията
Светодиоди 1 и 2 светят	Акумулаторът е зареден на 25% – 50%
Светодиод 1 свети	Акумулаторът е зареден на 0% – 25%.
Светодиод 1 мига	Батерията е изтощена. Заредете батерията.

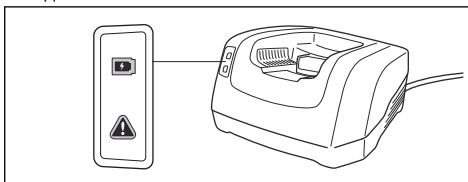
За зареждане на акумулатора

Заредете акумулатора преди използване за първи път. Акумулаторът е зареден само на 30%, когато се доставя на клиента.

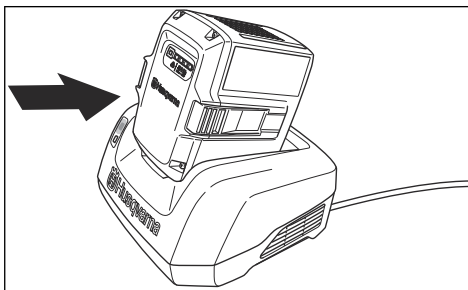
Забележка: Зарядното устройство на акумулатора трябва да бъде свързано към напрежението и честотата, посочени на типовата табелка.

Акумулаторът не се зарежда, ако температурата на акумулатора е над 50°C. Зарядното устройство намалява температурата на акумулатора, преди да започне да зарежда.

1. Свържете единия край на захранващия шнур на зарядното устройство в гнездото на зарядното устройство.
2. Свържете другия край на захранващия шнур за зарядното устройство в заземен контакт. Светодиодът на зарядното устройство примигва един път в зелено.



3. Поставете батерията в зарядното устройство. Когато акумулаторът е правилно свързан към зарядното устройство, на зарядното устройство светва зелена светлина.



4. Когато всички светодиоди на акумулатора светнат, акумулаторът е напълно зареден. Зареждайте акумулатора за най-много 24 часа.
5. За да разкачите зарядното устройство на акумулатора от контакта, издърпайте щепсела, а не кабела.
6. Извадете батерията от зарядното устройство.

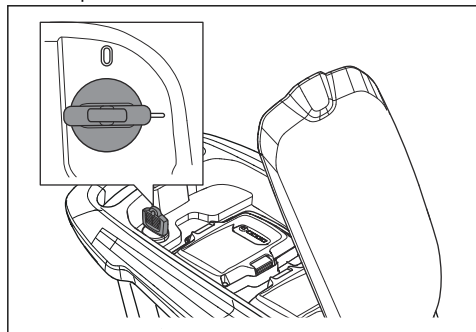
Състояние на зареждане на акумулатора

Литиево-йонният акумулатор Husqvarna може да бъде зареден или използван във всички нива на заряда. Батерията не се поврежда. Напълно зареденият акумулатор няма да намали заряда си, дори когато е оставен в зарядното устройство.

Светодиоден дисплей	Състояние на зареждането
Светодиод 1 мига	0% – 25%
Светодиод 1 свети, светодиоди 2 мига	25%-50%
Светодиоди 1 и 2 светят, светодиоди 3 мига	50%-75%
Светодиоди 1, 2 и 3 светят, светодиоди 4 мига	75%-100%
Светодиоди 1, 2, 3 и 4 светят	Напълно зареден

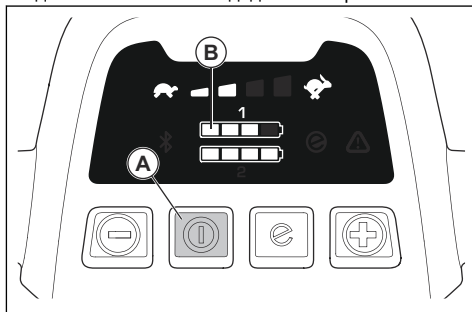
За стартиране на продукта

1. Отворете капака на акумулатора.
2. Поставете зареден акумулатор в 1 от отделенията за акумулатора. За по-дълъг период на работа поставете втори зареден акумулатор в другото отделение за акумулатор.
3. Завъртете ключа за безопасност на 1.

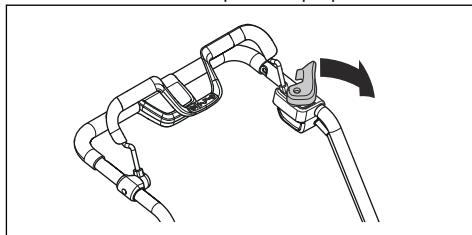


4. Останете зад продукта.

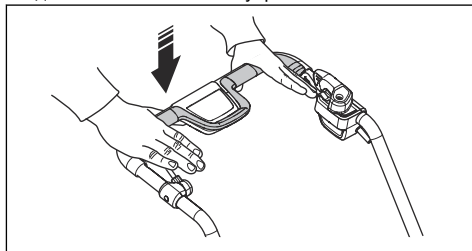
5. Натиснете бутона (A) ON/OFF (ВКЛ./ИЗКЛ.) на разпределителното табло. Дисплеят се включва. Индикаторът (B) на акумулатора показва нивото на заряда на 2-та акумулатора. Номерът на акумулатора, който работи, е показан в съседство с индикатора за акумулатор. За модели LC 347iV, LC 347iVX, LC 353iV, LC 353iVX дисплеят показва и зададената скорост.



6. Разхлабете инхибитора за стартиране.

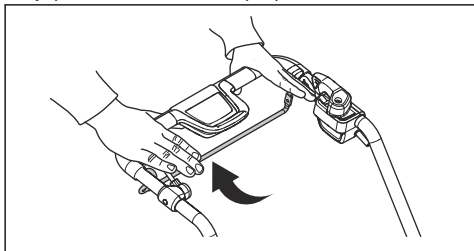


7. Натиснете ръкохватката за спирачката на двигателя по посока на управлението.

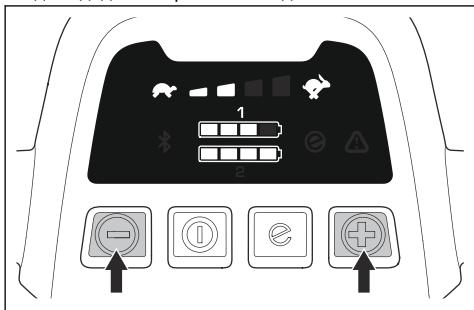


За да използвате задвижването на колелата LC 347iV, LC 347iVX, LC 353iV, LC 353iVX

- Дръпнете дръжката за задвижване по посока на управлението, за да стартирате задвижването.



- Натиснете + и – на разпределителното табло, за да зададете скоростта на задвижване в 4 стъпки.



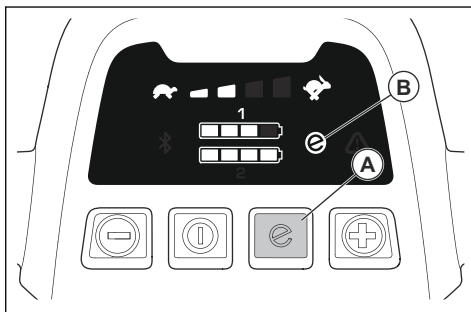
- Освободете дръжката за задвижване, за да изключите задвижването, например, когато приближите препятствие.

За да използвате функцията

Продуктът разполага с функция за пестене на енергия на акумулатора (e), която осигурява по-дълго време на работа.

1. Натиснете бутона (A), за да стартирате функцията. Символът (B) на дисплея се показва.

2. Натиснете отново бутона , за да спрете функцията. Символът (B) на дисплея се изключва.



Функцията спира автоматично, ако условията на терена изискват по-висока мощност. Функцията стартира автоматично, когато условията на терена го позволяват.

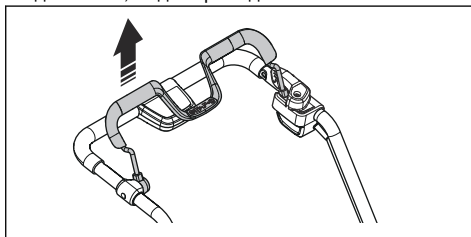
Функция на високо натоварване

Когато продуктът реже дълга или влажна трева, двигателят автоматично повишава оборотите. Двигателят се връща към стандартен режим, когато не е необходимо голямо натоварване.

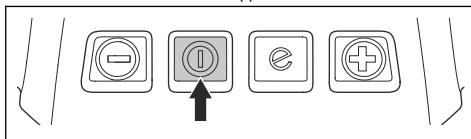
Спиране на продукта

Продуктът спира автоматично, ако не работите с него в продължение на 10 минути. Винаги завъртайте ключа за безопасност на 0, преди да оставите продукта без надзор.

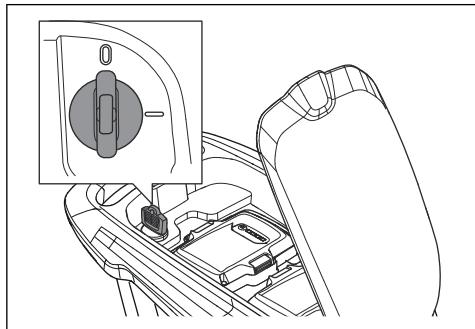
1. Освободете ръкохватката за спиращата на двигателя, за да спрете двигателя.



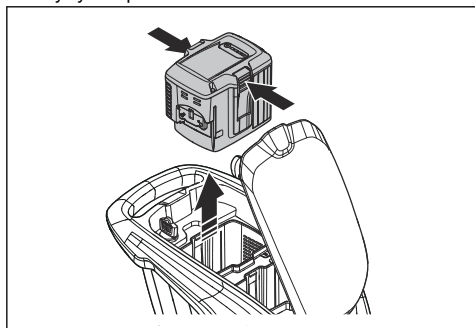
2. Натиснете бутона ON/OFF (ВКЛ./ИЗКЛ.) на разпределителното табло. Всички светодиодни светлини и символи на дисплея се изключват.



3. Отворете капака на акумулатора и завъртете ключа за безопасност в положение 0.



4. За да извадите акумулатора, натиснете 2-та бутон за освобождаване и извадете акумулатора.



5. Заредете акумулатора, ако е изтощен. За повече информация вижте *За зареждане на акумулатора на страница 42.*

За получаване на добър резултат

- Винаги използвайте остър нож. Косенето със затъпен нож е неравномерно и окосената повърхност пожълтява. При работа с остър нож също така се използва по-малко енергия отколкото при работа със затъпен нож.
- Не отрязвайте повече от 1/3 от дължината на тревата. Първо, косете със зададена висока височина на рязане. Вижте какъв е резултатът и намалете височината на рязане до подходящо ниво. Ако тревата е много висока, карайте бавно и – ако е необходимо – окосете два пъти.
- Режете всеки път в различни посоки, за да избегнете образуването на линии в моравата.

За да режете трева без монтирани кош за трева или приставка за мулчиране

- Повдигнете задния капак и извадете коша за трева.
- Ако има монтирани приставка за мулчиране и острие за мулчиране, извадете ги.
- Затворете задния капак преди работа с продукта.

Когато работите с продукта, изрязаната трева се извежда под задния капак.

Поддръжка

Въведение



ПРЕДУПРЕЖДЕНИЕ: Преди да извършите техническо обслужване, трябва да прочетете и разберете раздела за безопасност.

За всички работи по поддръжката и поправката на продукта е необходимо специално обучение. Осигуряваме предлагане на професионални ремонти и обслужване. Ако Вашият дилър не предлага сервизно обслужване, говорете с него, за да Ви даде информация за най-близкия сервиз.

График за техническо обслужване

Интервалите за техническо обслужване са изчислени в зависимост от ежедневната употреба на продукта. Интервалите се променят, ако продуктът не се използва ежедневно.

За техническо обслужване, маркирано със *, вижте инструкциите в *Инструкции за безопасност за работа на страница 34.*

	При всяка употреба	Всеки месец	Всеки сезон
Обща проверка	X		
Почистване на продукта	X		
Проверете инхибитора на стартирането *	X		

	При всяка употреба	Всеки месец	Всеки сезон
Уверете се, че устройствата за безопасност на продукта не са дефектни *	X		
Преглед на режещото оборудване	X		
Проверка на капака на режещите части *	X		
Извършване на проверка на ръкохватката за спирачката на двигателя *	X		
Уверете се, че бутонът ON/OFF (ВКЛ./ИЗКЛ.) функционира правилно и не е дефектен	X		
Проверете акумулатора за повреда	X		
Проверка на заряда на акумулатора	X		
Уверете се, че бутоните за освобождаване на акумулатора работят изправно и че акумулаторът е фиксиран в продукта	X		
Проверете зарядното устройство за повреда и се уверете, че функционира изправно.		X	
Проверете връзките между акумулатора и продукта. Освен това проверете връзката между акумулатора и зарядното устройство.			X

За извършване на обща проверка

- Уверете се, че всички гайки и винтове на продукта са затегнати.
- Уверете се, че кабелите на продукта не са в положение, в което могат да бъдат повредени.

За почистване на машината

- Почиствайте пластмасовите части със суха кърпа.
- Не използвайте вода за почистване на продукта. Водата може да навлезе в акумулатора или в двигателя и да причини късо съединение или повреда на продукта.
- Не мийте продукта с устройство за миене под високо налягане.
- Не пръскайте вода директно върху двигателя.
- За отстраняване на листа, трева и прах използвайте четка.

За почистване на акумулатора и зарядното устройство



ВНИМАНИЕ: Не почиствайте батерията или зарядното устройство с вода.

- Преди да поставите батерията в зарядното устройство се уверете, че батерията и зарядното устройство са чисти и сухи.
- Почистете клемите на акумулатора с въздух под налягане или използвайте чиста и суха кърпа.

- Почистете повърхностите на акумулатора и зарядното устройство с чиста и суха кърпа.

За проверка на режещото оборудване



ПРЕДУПРЕЖДЕНИЕ: За да предотвратите случайно стартиране, завъртете ключа за безопасност на 0, отстранете акумулатора и изчакайте най-малко 5 секунди.



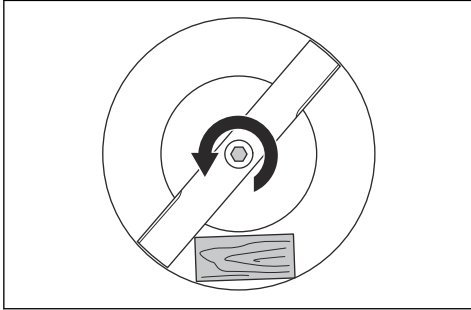
ПРЕДУПРЕЖДЕНИЕ: Носете защитни ръкавици, когато ще изпълнявате дейности, свързани с техническото обслужване на режещото оборудване. Ножът е много остър и можете лесно да се порежете.

1. Проверете режещото оборудване за повреди или пукнатини. Винаги заменяйте повреденото режещо оборудване.
2. Погледнете ножа, за да разберете дали не е повреден или затъпен.

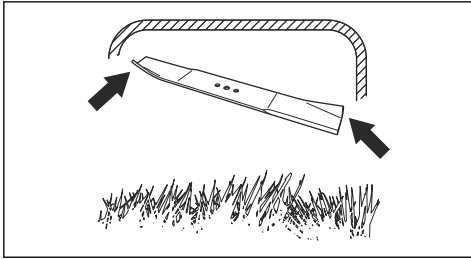
Забележка: Необходимо е да балансирате ножа след заточване. Ножът се заточва, сменя и балансира от сервизен център. Ако ударите препятствие и вследствие на това продуктът спре, сменете повредения нож. Оставете специалистите в сервиза да преценят дали ножът ще трябва да се заточи, или да се смени.

За да извадите и смените ножа

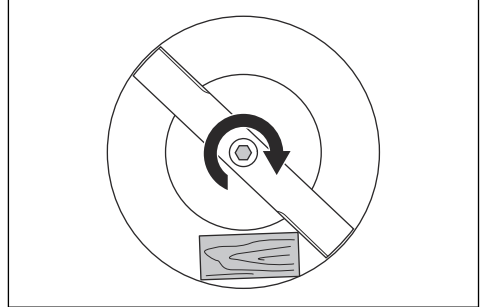
1. Застопорете ножа с дървен блок.



2. Свалете придържащия болт на ножовете.
3. Свалете ножа.
4. Проверете носача на ножа и придържащия болт на ножовете, за да видите дали има повреди.
5. Проверете двусекционния вал на двигателя, за да се уверите, че не е огънат.
6. Когато поставяте новия нож, насочете извитите краища на ножа по посока към капака на режещите части.



7. Уверете се, че ножът е подравнен с центъра на двусекционния вал на двигателя.
8. Застопорете ножа с дървен блок. Поставете пружинната шайба и затегнете болта и шайбата с въртящ момент 23 – 28 Nm.



9. Раздвижете ножа на ръка и се уверете, че той се върти свободно.



ПРЕДУПРЕЖДЕНИЕ:

Използвайте ръкавици с висока здравина. Ножът е много остър и можете лесно да се порежете.

10. Стартирайте продукта, за да тествате ножа. Ако ножът не е поставен правилно, продуктът вибрира или резултатът от косенето е незадоволителен.

Отстраняване на проблеми

Акумулатор

Светодиод на акумулатора	Възможни неизправности	Възможна процедура
Зеленият светодиод мига	Зарядът на акумулатора е нисък	Заредете батерията. Вижте <i>За зареждане на акумулатора на страница 42.</i>

Светодиод на акумулатора	Възможни неизправности	Възможна процедура
Светодиодът за грешка мига	Акумулаторът е изтощен	Заредете батерията. Вижте <i>Акумулатор на страница 47</i> .
	Температурата в работната среда е прекалено висока или прекалено ниска	Използвайте акумулатора при температури между -10°C и 40°C.
	Свърхнапрежение	Проверете дали захранващото напрежение е същото като на типовата табелка на продукта. Извадете батерията от зарядното устройство. Изчакайте 5 секунди и опитайте отново да заредите акумулатора. Ако проблемът продължи, обърнете се към упълномощен сервиз.
Светодиодът за грешка свети	Разликата в клетките е твърде голяма (1 V)	Обърнете се към одобрен сервиз.

Зарядно устройство за батерията

Светодиод на зарядното устройство	Възможни неизправности	Възможна процедура
Светодиодът за грешка мига	Температурата в работната среда е прекалено висока или прекалено ниска	Използвайте зарядното устройство на акумулатора при температури между 5°C и 40°C.
Светодиодът за грешка свети		Обърнете се към одобрен сервиз

Пулт за управление

Клавиатура	Код на грешка (Брой премигвания)	Възможни неизправности	Възможно действие
Светодиодът за грешка мига	3	Двигателят е претоварен	Увеличете височината на рязане. Вижте <i>За регулиране на височината на рязане на страница 41</i> .
	5	Оборотите на двигателя спадат прекалено много и двигателят спира	
	10	Управлението на двигателя е прекалено горещо	Спрете двигателя и изчакайте докато изстине
	2	Ножът е блокиран	За да предотвратите случайно стартиране, завъртете ключа за безопасност на 0, отстранете акумулатора и изчакайте най-малко 5 секунди. Уверете се, че ножът се върти свободно. Ако проблемът продължи, обърнете се към упълномощен сервиз
	9	Грешка на акумулатора или липса на сигнал от него	Поставете правилно акумулатора в продукта и проверете конектора на акумулатора. Ако светодиодът за грешка на акумулатора мига. Вижте <i>Акумулатор на страница 42</i> .

Клавиатура	Код на грешка (Брой премигвания)	Възможни неизправности	Възможно действие
Продуктът спира	8	Акумулаторът е изтощен	Заредете батерията. Вижте <i>За зареждане на акумулатора на страница 42.</i>
	0	Грешка в конектора на акумулатора	Проверете конектора на акумулатора
Други грешки	Ако грешката се прояви, завъртете ключа за безопасност на 0, извадете акумулатора и се обърнете към упълномощен сервиз.		

Транспортиране, съхранение и изхвърляне

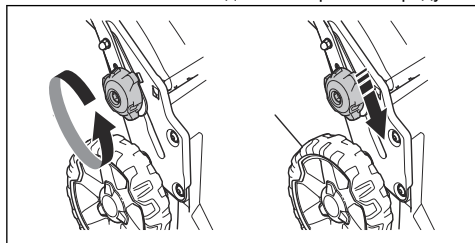
Въведение



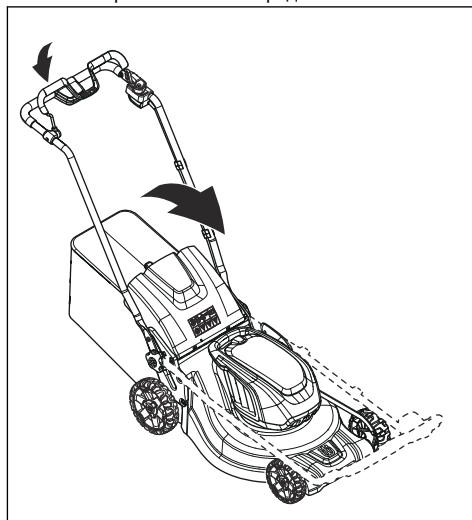
ПРЕДУПРЕЖДЕНИЕ: За да предотвратите случайно стартиране по време на транспортиране, завъртете ключа за безопасност на 0, отстранете акумулатора и изчакайте най-малко 5 секунди.

За да зададете продукта в положение при транспортиране

1. Разхлабете долните колчета.
2. Преместете фиксаторите към долния край на каналите от лявата и дясната страна на продукта.



3. Сгънете ръкохватката напред.



4. Извадете коша за трева.

Транспортиране

- В сила са изискванията на Законодателството за опасни продукти, отнасящи се до литиево-йонни акумулатори.
- За търговско транспортиране трябва да се спазват специалните изисквания върху опаковката и етикетите.
- Уверете се, че спазвате разпоредбите за опасни материали, когато подготвяте продукта за транспорт. Може да са в сила местни разпоредби.
- Винаги изваждайте акумулатора при транспортиране.
- Поставете тиксо върху конекторите на акумулатора и се уверете, че акумулаторът не може да се движи по време на транспортиране.

- Закрепете продукта по време на транспортиране.

Съхранение

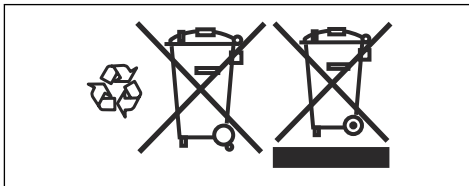
- Винаги изваждайте акумулатора за съхранение.
- За да се избегнат инциденти, се уверете, че акумулаторът не е свързан към продукта по време на съхранение.
- Съхранявайте зарядното устройство в затворено и сухо помещение.
- Съхранявайте акумулатора и зарядното устройство на сухо място, където няма влага или скреж.
- При съхранение разкачете акумулатора от зарядното устройство.
- Не съхранявайте акумулатора, където може да се натрупа статично електричество. Не съхранявайте акумулатора в метална кутия.
- Съхранявайте акумулатора при температура между 5°C и 25°C и далече от слънчева светлина.
- Съхранявайте зарядното устройство при температура между 5°C и 45°C и далече от слънчева светлина.
- Уверете се, че акумулаторът е зареден до 30% – 50% преди съхранение за продължителен период.
- Съхранявайте продукта, акумулатора и зарядното устройство в заключено помещение без достъп за деца или неупълномощени лица.

- Почистете продукта и извършете пълно обслужване, преди да го съхранявате продължително време.

Изхвърляне

Символите на продукта или на неговата опаковка показват, че този продукт не може да бъде третиран като битов отпадък. Той трябва да бъде подаден в съответната рециклираща станция за използване на електрическо и електронно оборудване.

Подавайки този продукт на правилното място, вие спомагате за предотвратяване на потенциалното негативно отражение върху околната среда и хората, което би могло да настъпи иначе в резултат на неправилно изхвърляне на този продукт. За повече подробна информация относно рециклирането на този продукт се свържете с местната администрация, услугите за битови отпадъци или магазина, откъдето сте закупили продукта.



Технически данни

Технически характеристики

	LC 247IX/LC 247I	LC 347IVX/LC 347IV	LC 353IVX/LC 353IV
Двигател за рязане			
Тип двигател	BLDC (безчетков) 36 V	BLDC (безчетков) 36 V	BLDC (безчетков) 36 V
Обороти на двигателя – SavE, об./мин.	2600	2600	2600
Обороти на двигателя – номинални, об./мин.	3000	3000	3000
Обороти на двигателя – високо натоварване, об./мин.	3500	3500	3500
Изходна мощност на двигателя – макс. kW	0,96	0,96	1,05
Изходна мощност на двигателя – номинална, kW	0,75	0,75	0,9
Двигател за задвижване			
Изходна мощност на двигателя – номинална, kW	Не е налично	0,25	0,25
Обороти за самостоятелно задвижване, km/h	Не е налично	3,0 – 4,5	3,0 – 4,5

	LC 247iX/LC 247i	LC 347iVX/LC 347iV	LC 353iVX/LC 353iV
Нива за регулиране на оборотите	Не е налично	4	4
Тегло			
Тегло без акумулаторна батерия, kg	24	26	28
Акумулаторна батерия			
Тип батерия	Серия акумулатори Husqvarna	Серия акумулатори Husqvarna	Серия акумулатори Husqvarna
Време на работа на батерията			
Време за работа на акумулатора, мин., (свободна работа) при активирана функция SavE, с един акумулатор Husqvarna 5,2 Ah (Bli200).	43	43	32
Време за работа на акумулатора, мин., (свободна работа) при активиран стандартен режим с един акумулатор Husqvarna 5,2 Ah (Bli200).	30	30	20
Шумови емисии ⁴			
Ниво на звуковата мощност, измерена dB(A)	94	94	97
Ниво на звуковата мощност, гарантирана [L _{WA} dB(A)]	95	95	98
Нива на звука ⁵			
Ниво на шума при ухото на оператора, dB (A)	82	82	86
Нива на вибрациите ⁶			
Ръкохватка, m/s ²	0,42	0,42	2,64
Режещо оборудване			
Височина на рязане, mm	20 – 75 mm	20 – 75 mm	20 – 75 mm
Ширина на рязане, cm	47	47	53
Стандартен нож	Събиране 5905934-10	Събиране 5905934-10	Събиране 5940757-10
Приспособления за нож	Мулчиране 5907010-10	Мулчиране 5907010-10	Мулчиране 5950072-10
Капацитет на коша за трева, литри	55	55	60

⁴ Шумови емисии в околната среда, измерени като звукова мощност (L_{WA}) в съответствие с директива на ЕО 2000/14/ЕО.

⁵ Отчетените данни за нивото на звуковото налягане имат типична статистическа дисперсия (стандартно отклонение) от 1,2 dB (A).

⁶ Отчетените данни за равнището на вибрации имат типична статистическа дисперсия (стандартно отклонение) от 0,2 m/s². Стандарт за вибрации EN 60335-2-77:2017 глава 20.105

Данни за радиочестота за Bluetooth®	LC 247IX	LC 347IVX	LC 353IVX
Честотна лента, GHz	2,4-2,4835	2,4-2,4835	2,4-2,4835
Изходяща мощност, макс. dBm	4	4	4

Одобрени акумулатори	Тип	Капацитет на акумулатора, Ah	Напрежение, V	Тегло, lb/kg
BLi20	Литиево-йонен	4,0	36	2,6/1,2
BLi30	Литиево-йонен	7,7	36	4,2/1,9
BLi200	Литиево-йонен	5,2	36	2,8/1,3
BLi300	Литиево-йонен	9,4	36	4,1/1,9

Одобрени зарядни устройства за определени акумулатори, BLi	Входно напрежение, V	Честота, Hz	Мощност, W
QC80	100 – 240	50 – 60	80
QC80F	12	0	80
QC250	100 – 240	50 – 60	250
QC330	100 – 240	50 – 60	330
QC500	100 – 240	50 – 60	500

Декларация за съответствие на ЕО

Декларация за съответствие на ЕО

Husqvarna AB, SE-561 82 Huskvarna, Швеция, тел.: +46-36-146500, удостоверява, че **косачката Husqvarna LC 247i, LC 247iX, LC 347iV, LC 347iVX, LC 353iV, LC 353iVX** от година 2018 и нататък отговаря на изискванията на ДИРЕКТИВАТА НА СЪВЕТА:

- от 8 юни 2011 г. относно "ограничения за използване на определени опасни вещества" **2011/65/EC**
- от 17 май 2006 г., "относно машините" **2006/42/EO**
- от 8 май 2000 г., "свързани с шумовите емисии в околната среда" **2000/14/EO**

За информацията относно шумови емисии вижте *Технически данни на страница 50.*

Приложени са следните стандарти:

EN/IEC 60335-1, EN/IEC 60335-2-77, EN/IEC 62233, EN 55014-1, EN ETSI 301 489-7 v1.3.1, EN 61000-6,

ETSI EN 61000-6-1, EN 300 328 BT low energy Tx/Rx, EN 50581

Ако не е указано друго, посочените по-горе стандарти са последните публикувани версии.

Упълномощен орган: **0404, RISE SMP Svensk Maskinprovning AB, Box 7035, SE-750 07 Uppsala** е извършил оценка на съответствието съгласно Приложение VI на директива 2000/14/EO.

Huskvarna, 2020-04-22



Claes Losdal, Мениджър "Разработки и Развитие"/"Градински продукти" (Упълномощен представител за Husqvarna AB и отговорно лице за техническата документация)

Регистрирани търговски марки

Световната търговска марка и логата на *Bluetooth®* са регистрирани търговски марки, собственост на *Bluetooth SIG, inc.*, и всяко използване на тези марки от Husqvarna е лицензирано.

Obsah

Úvod.....	54	Odstraňování problémů.....	73
Bezpečnost.....	57	Přeprava, skladování a likvidace.....	75
Montáž.....	66	Technické údaje.....	76
Provoz.....	67	ES Prohlášení o shodě.....	79
Údržba.....	72	Registrované ochranné známky.....	79

Úvod

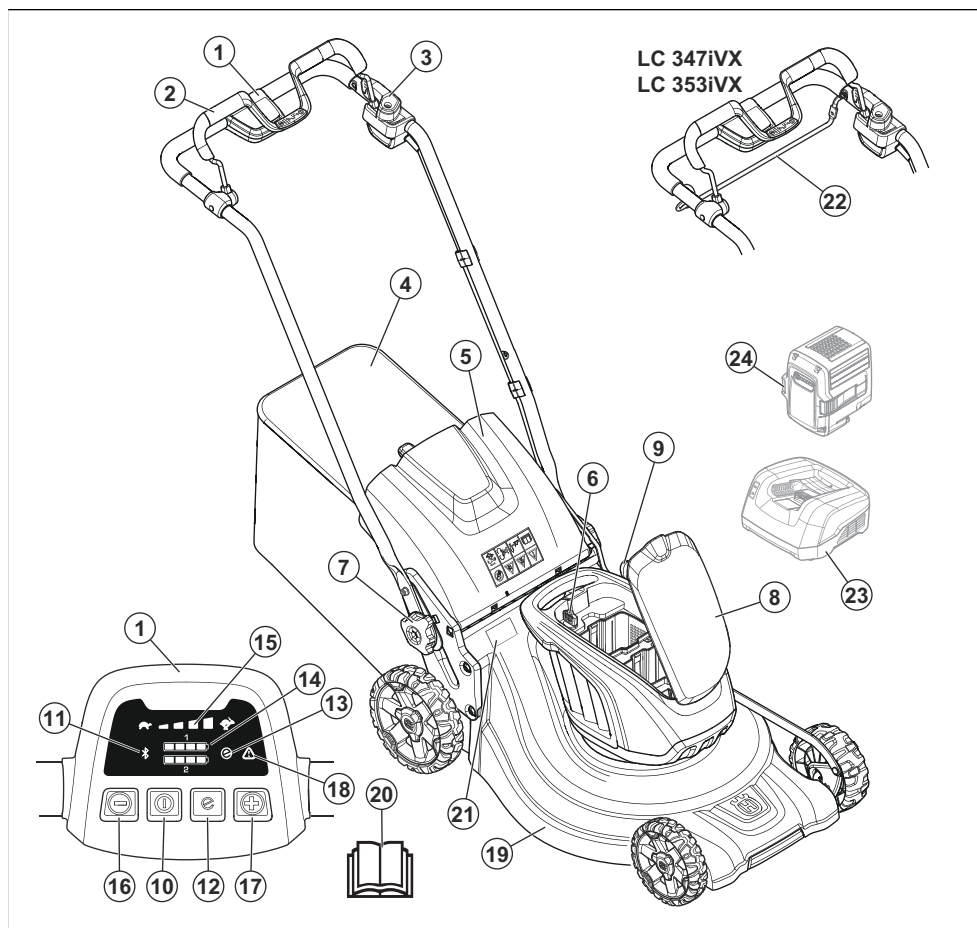
Popis výrobku

Výrobek je rotační sekačka na trávu s péší obsluhou. Koš na trávu slouží ke sběru posečené trávy. Chcete-li otevřít zadní výhoz trávy, sejměte koš na trávu. Připevněte mulčovací sadu (příslušenství), chcete-li používat posečenou trávu jako hnojivo.

Zamýšlené použití

Výrobek použijte k sečení trávy. K jiným činnostem výrobek nepoužívejte.

Popis výrobku



- | | |
|--|---|
| 1. Ovládací panel | 15. Ukazatel rychlosti (LC 347iV, LC 347iVX, LC 353iV, LC 353iVX) |
| 2. Rukojeť brzd motoru | 16. Tlačítko snížení rychlosti (LC 347iV, LC 347iVX, LC 353iV, LC 353iVX) |
| 3. Inhibitor spuštění | 17. Tlačítko zvýšení rychlosti (LC 347iV, LC 347iVX, LC 353iV, LC 353iVX) |
| 4. Koš na trávu | 18. Chybová kontrolka LED |
| 5. Zadní kryt | 19. Kryt žacího ústrojí |
| 6. Bezpečnostní klíček | 20. Návod k používání |
| 7. Knoflík rukojeti | 21. Typový štítek |
| 8. Kryt baterie | 22. Páka pojezdu (LC 347iV, LC 347iVX, LC 353iV, LC 353iVX) |
| 9. Ovladač výšky sečení | 23. Nabíječka baterie (příslušenství) |
| 10. Tlačítko ON/OFF (ZAP/VYP) | 24. Baterie (příslušenství) |
| 11. Kontrolka bezdrátové technologie <i>Bluetooth</i> [®] | |
| 12. Tlačítko SavE (Úspora energie) | |
| 13. Kontrolka funkce SavE | |
| 14. Kontrolka baterie | |

Symbols na výrobku



VAROVÁNÍ! Buďte opatrní a výrobek používejte správně. Tento výrobek může způsobit obsluze a dalším osobám vážné zranění.



Před použitím si pozorně prostudujte tento návod k používání a nepoužívejte výrobek, pokud návodu zcela nerozumíte.



Zajistěte, aby se v pracovní oblasti a jejím okolí nezdržovaly nepovolané osoby či zvířata.



Pozor na odvržené a odražené předměty.



Varování: Ruce a nohy udržujte mimo dosah rotujícího nože.



Varování: Ruce a nohy udržujte mimo dosah rotujících částí.



Před zahájením oprav nebo údržby vyjměte bezpečnostní klíč.



Nevystavujte dešti.



Výrobek ani obal výrobku nelze zlikvidovat jako domácí odpad. Odevzdejte jej ve stanici pro recyklaci elektrických a elektronických zařízení.



Výrobek odpovídá příslušným směrnícím ES.



Výrobek odpovídá příslušným směrnícím Eurasijské celní unie.



Výrobek odpovídá příslušným směrnícím UkrSEPRO.



Výrobek odpovídá příslušným směrnícím RCM. Platné pouze pro Austrálii/Nový Zéland



Emise hluku do životního prostředí

podle směrnice EU 2000/14/ES a podle nařízení o regulaci hluku v australském Novém Jižním Walesu „Protection of the Environment Operations (Noise Control) Regulation 2017“. Údaje o emisích hluku naleznete na štítku stroje a v kapitole Technické údaje.



Skenovatelný kód

Povšimněte si: Další symboly/ štítky na produktu se týkají certifikačních požadavků pro určité obchodní trhy.

Štítek na výrobku



IPX1 Výrobek je chráněn proti kapající vodě.

Startovací proces: stiskněte tlačítko ON/OFF, povolte inhibitor spouštění, zatlačte rukojeť brzd motoru směrem dopředu.



Uvolněním rukojeti brzdy motoru zastavíte.



Pomalou



Rychle

Ruce a nohy udržujte mimo dosah rotujících nožů.

Odpovědnost za výrobek

Jak uvádí zákon o odpovědnosti za výrobek, neneseme odpovědnost za žádnou škodu způsobenou našim výrobkem, pokud:

- byl výrobek nesprávně opraven.
- byl výrobek opraven pomocí součástí od jiného výrobce nebo součástí, které nejsou výrobcem schváleny.
- má výrobek příslušenství od jiného výrobce nebo příslušenství, které není výrobcem schváleno.
- výrobek nebyl opraven ve schváleném servisním středisku nebo schváleným odborníkem.

Bezpečnost

Definice týkající se bezpečnosti

Varování, upozornění a poznámky slouží jako

upozornění na specifické důležité části návodu.



VÝSTRAHA: Používá se v případě nebezpečí

úrazu nebo usmrcení
obsluhy nebo okolních
osob, pokud nejsou
dodrženy pokyny
uvedené v této příručce.



VAROVÁNÍ: Používá se
v případě nebezpečí
poškození výrobku,
dalších materiálů či škod
na majetku v blízkém
okolí, pokud nejsou
dodrženy pokyny
uvedené v této příručce.

Povšimněte si: Používá se
k poskytnutí dalších informací,
které jsou nezbytné v dané
situaci.

Obecné bezpečnostní pokyny



VÝSTRAHA: Před
použitím výrobku si
přečtěte následující
varování.

- Tento výrobek je nebezpečný, nepoužívá-li se správně nebo není-li věnována provozu řádná pozornost. Nedodržení bezpečnostních pokynů může vést ke zranění nebo usmrcení.

- Tento výrobek vytváří během provozu elektromagnetické pole. Toto pole může za určitých okolností narušovat funkci aktivních či pasivních implantovaných lékařských přístrojů. Za účelem snížení rizika možného zranění nebo smrtelného úrazu doporučujeme osobám s implantovanými lékařskými přístroji poradit se před použitím výrobku s lékařem a s výrobcem implantovaného lékařského přístroje.
- Buďte stále opatrní a používejte zdravý rozum. Nejste-li si jisti, jak ovládat výrobek ve zvláštních situacích, vypněte jej a promluvte si s prodejcem Husqvarna, než budete pokračovat v práci.
- Mějte na paměti, že obsluha je odpovědná za nehody a škody vzniklé jiným osobám nebo na jejich majetku.
- Udržujte výrobek čistý. Ujistěte se, že jsou značky a štítky dobře čitelné.
- Nikdy nedovolte dětem nebo osobám, které se neseznámily s těmito pokyny, aby zařízení používaly. Věk obsluhy přístroje může být omezen místními předpisy.

- Vždy sledujte osoby s fyzickým nebo mentálním postižením při práci s výrobkem. Vždy musí být přítomna zodpovědná dospělá osoba.
- Nepoužívejte výrobek, jste-li unavení, nemocní nebo pod vlivem alkoholu, drog nebo léků. To by mohlo ovlivnit váš zrak, ostražitost, koordinaci a úsudek.
- Nepoužívejte výrobek, pokud je vadný.
- Nikdy neupravujte výrobek a nepoužívejte jej, pokud je možné, že jej upravil někdo jiný.

Bezpečnost pracovního prostoru



VÝSTRAHA: Před použitím výrobku si přečtěte následující varování.

- a zvířata v bezpečné vzdálenosti od výrobku.
 - Nikdy nepoužívejte výrobek za špatného počasí, jako je mlha, déšť, silný vítr, intenzivní chlad a nebezpečí blesku. Použití výrobku za špatného počasí nebo ve vlhkých či mokřích podmínkách je namáhavé. Nepříznivé počasí může vytvořit nebezpečné podmínky, např. kluzký povrch.
 - Dávejte pozor na osoby, předměty a situace, které mohou bránit bezpečnému provozu výrobku.
 - Dávejte pozor na překážky, jako jsou kořeny, kameny, větve, díry a příkopy. Vysoká tráva může překážky skrýt.
 - Sečení trávy na svazích může být nebezpečné. Nesečte na příliš prudkých svazích. Nepoužívejte výrobek na svahu se sklonem větším než 15°.
 - Při změně směru na svazích buďte maximálně opatrní. S výrobkem jezděte po vrstevnicích. Nepohybujte se na svahu nahoru a dolů.
 - Postupujte opatrně v blízkosti skrytých rohů a objektů, které mohou bránit ve výhledu.
- Před použitím výrobku, odklíďte z pracovní oblasti předměty, jako jsou větve, větvičky a kameny.
 - Předměty, které mohou být zachyceny žacím ústrojím mohou být odmrštěny a způsobit zranění osob a poškození předmětů. Udržujte osoby v okolí



VÝSTRAHA: Před použitím výrobku si přečtěte následující varování.

- Tento výrobek používejte výhradně k sečení trávy. Není dovoleno používat výrobek k jiným činnostem.
- Používejte osobní ochranné pomůcky. Další informace naleznete v části *Osobní ochranné prostředky na strani 61*.
- Ujistěte se, že víte, jak v případě nouze rychle zastavit motor.
- Neprovozujte výrobek v dešti a vlhku. Nebezpečí úrazu elektrickým proudem se zvyšuje, přijde-li výrobek do styku s vodou.
- Neprovozujte výrobek, pokud není správně namontovaný nůž a všechny kryty. V opačném případě by se mohl nůž uvolnit a způsobit zranění osob.
- Zajistěte, aby nůž nenarazil do předmětů, jako jsou kameny a kořeny. Mohlo by dojít k poškození nože a ohnutí hřídele motoru. Ohnutý hřídel způsobuje velké vibrace a hrozí velmi vysoké riziko uvolnění nože.
- Pokud nůž narazí do nějakého předmětu nebo se objeví vibrace, okamžitě zastavte výrobek. Zastavte motor, otočte bezpečnostní klíček do polohy 0 a vyjměte baterii. Zkontrolujte, zda není výrobek poškozený. Opravte poškozené díly nebo svěřte opravu schválenému servisnímu pracovníkovi.
- Po nastartování motoru nikdy nepřipevňujte rukojeť brzdý motoru trvale k rukojeti sekačky.
- Umístěte výrobek na stabilní, rovný povrch a nastartujte jej. Zkontrolujte, zda nůž nemůže přijít do kontaktu se zemí nebo cizími objekty.
- Při provozu vždy stůjte za výrobkem.
- Při provozu nechte všechna kola spočívat na zemi a držte rukojeť oběma rukama. Ruce a nohy udržujte mimo dosah rotujících nožů.
- Nenaklánějte výrobek, když je spuštěný motor.
- Dávejte pozor při tažení výrobku dozadu.
- Nikdy výrobek nezvedejte, když je spuštěný motor. Pokud musíte výrobek zvednout,

nejprve vypněte motor, otočte bezpečnostní klíček do polohy 0 a vyjměte baterii.

- Při provozování výrobku nechoďte směrem dozadu.
- Před přejezdem ploch bez trávy, jako jsou cesty vytvořené ze štěrku, kamenů nebo asfaltu, vypněte motor.
- Neběhejte s výrobkem, když je spuštěný motor. Při provozu výrobku vždy pouze chodte.
- Před změnou výšky sečení vypněte motor. Nikdy neupravujte nastavení při spuštěném motoru.
- Nikdy nenechte výrobek se spuštěným motorem bez dozoru. Vypněte motor a ujistěte se, že se žací ústrojí neotáčí.

Bezpečnostní pokyny pro provoz

Osobní ochranné prostředky



VÝSTRAHA: Před použitím výrobku si přečtěte následující varování.

- Osobní ochranné prostředky nemohou zcela eliminovat nebezpečí úrazu, ale v případě nehody pomáhají snížit míru poranění. Požádejte prodejce, aby vám

pomohl vybrat správné vybavení.

- Používejte odolnou obuv s protiskluzovou podrážkou. Nepoužívejte otevřenou obuv ani nepracujte naboso.
- Používejte silné, dlouhé kalhoty.
- Při určitých činnostech používejte ochranné rukavice, například při nasazování, prohlídce nebo čištění žacího ústrojí.

Bezpečnostní zařízení na produktu



VÝSTRAHA: Před použitím výrobku si přečtěte následující varování.

- Nepoužívejte výrobek, jehož bezpečnostní zařízení jsou vadná!
- Pravidelně kontrolujte bezpečnostní zařízení. Pokud je zařízení vadné, obraťte se na servis Husqvarna.

Kontrola krytu žacího ústrojí

Kryt žacího ústrojí snižuje vibrace výrobku a snižuje nebezpečí poranění nožem.

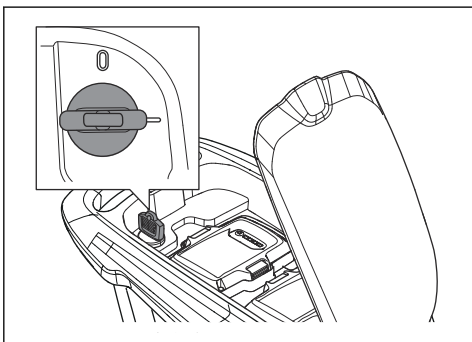
- Zkontrolujte kryt žacího ústrojí, aby bylo zajištěno, že nevykazuje známky poškození, např. praskliny.

Bezpečnostní klíček

Bezpečnostní klíček se nachází pod víkem baterie.

Bezpečnostní klíček připojuje baterii, která slouží jako napájecí zdroj motoru.

- Kontrolu funkce bezpečnostního klíčku provedete spuštěním a vypnutím motoru.
- V případě správné funkce bezpečnostního klíčku se motor spustí, pouze když je klíček otočený do polohy 1.

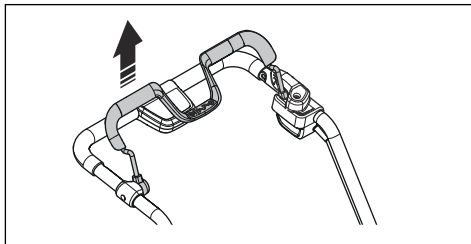


Rukojeť brzdy motoru

Rukojeť brzdy motoru slouží k zastavení motoru. Když uvolníte rukojeť brzdy motoru, motor se zastaví.

Chcete-li zkontrolovat funkci brzdy motoru, nastartujte motor

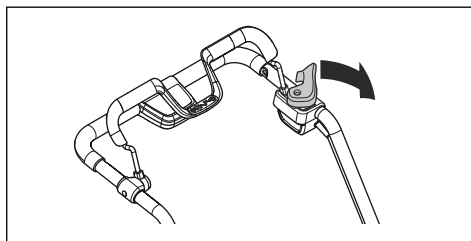
a uvolněte rukojeť brzdy motoru. Pokud se motor nevypne během 3 sekund, požádejte schváleného servisního pracovníka Husqvarna o seřízení brzdy motoru.



Kontrola inhibitoru spuštění

Provedte kontrolu inhibitoru spuštění a ujistěte se, že brání provozu motoru.

1. Zatlačte rukojeť brzdy motoru směrem k řídítkům. Inhibitor spuštění přeruší pohyb.
2. Zatlačte inhibitor spuštění směrem ven.



3. Uvolněte inhibitor spuštění a ujistěte se, že se vrátí do své výchozí polohy.

Bezpečnostní pokyny týkající se baterií



VÝSTRAHA: Před použitím výrobku si přečtěte následující varování.

- Dobíjecí baterie Husqvarna používejte jako zdroj napájení pouze pro související produkty Husqvarna. Abyste zabránili zranění, nepoužívejte baterii jako zdroj napájení pro jiná zařízení.
- Nepoužívejte baterie, které nejsou určené k dobíjení.
- Nebezpečí úrazu elektrickým proudem. Vývody baterie nepřipojujte ke klíčům, mincím, šroubkům nebo jiným kovům. Může to způsobit zkrat baterie.
- Nevkládejte do větracích otvorů baterie žádné předměty.
- Chraňte baterii před sluncem, teplem nebo otevřeným ohněm. Baterie může explodovat a způsobit popáleniny a/nebo chemické popáleniny.
- Chraňte baterii před deštěm a vlhkým prostředím.
- Chraňte baterii před mikrovlnami a vysokým tlakem.
- Baterii nikdy nerozebírejte nebo nerozbíjejte.
- Pokud baterie netěsní, kapalina nesmí přijít do styku s kůží a očima. Po styku s kapalinou omyjte zasaženou oblast velkým množstvím vody a získejte lékařskou pomoc.
- Baterii používejte při teplotě -10 °C až 40 °C.
- Baterii ani nabíječku baterií nečistěte vodou. Viz *Čištění baterie nebo nabíječky baterií na strani 72*.
- Nepoužívejte vadnou nebo poškozenou baterii.
- Baterie uchovávejte mimo dosah kovových předmětů, jako jsou např. hřebíky, mince nebo šperky.

Bezpečnostní pokyny pro nabíječku baterií



VÝSTRAHA: Před použitím výrobku si přečtěte následující varování.

- Nabíječku baterií QC používejte pouze pro nabíjení náhradních baterií Husqvarna.

- Hrozí nebezpečí zkratu a úrazu elektrickým proudem. Nevkládejte do větracích otvorů nabíječky žádné předměty. Nabíječku baterií nerozebírejte. Nepřipojujte nabíjecí vývody ke kovovým předmětům. Používejte schválenou elektrickou zásuvku.
- Tento výrobek vytváří během provozu elektromagnetické pole. Toto pole může za určitých okolností narušovat funkci aktivních či pasivních implantovaných lékařských přístrojů. Za účelem snížení rizika možného zranění nebo smrtelného úrazu doporučujeme osobám s implantovanými lékařskými přístroji poradit se před použitím výrobku s lékařem a s výrobcem implantovaného lékařského přístroje.
- Pravidelně kontrolujte, zda není napájecí kabel poškozený a nejsou na něm praskliny.
- Nabíječku nezvedejte pomocí napájecího kabelu. Když nabíječku baterií odpojíte z elektrické zásuvky, tahejte za zástrčku. Netahejte za napájecí kabel.
- Uchovávejte napájecí kabel a prodlužovací šňůry mimo dosah vody, oleje a ostrých okrajů. Dejte pozor, aby nebyl kabel přivřen ve dveřích, nezachytil se za plot a podobně. Mohlo by dojít k probíjení nabíječky.
- Nabíječku baterií nečistěte vodou.
- Nabíječku baterií smí používat děti od 8 let a osoby se sníženými fyzickými, smyslovými nebo duševními schopnostmi nebo nedostatečnými zkušenostmi či znalostmi pod dozorem odpovědné osoby, nebo pokud jim takováto osoba poskytne pokyny, které zajistí, že budou nabíječku používat bezpečným způsobem. Děti si s nabíječkou nesmí hrát. Čištění a údržbu nesmí provádět děti bez dozoru.
- V nabíječce nenabíjejte baterie, které nejsou určeny k opětovnému dobíjení.
- Nabíječku nepoužívejte v blízkosti hořlavých nebo korozivních materiálů. Nabíječku baterií nezakrývejte. V případě, že zaznamenáte kouř nebo požár, vytáhněte zástrčku kabelu nabíječky baterií ze zásuvky.
- Nepoužívejte vadnou nebo poškozenou nabíječku baterií.

- Baterii nabíjejte pouze uvnitř, a to v dobře odvětrané místnosti a mimo dosah slunečních paprsků. Nenabíjejte baterii ve vlhkém prostředí.

Bezpečnostní pokyny pro údržbu



VÝSTRAHA: Před použitím výrobku si přečtěte následující varování.

- Neúmyslnému spuštění během údržby můžete zabránit tím, že otočíte bezpečnostní klíček do polohy 0 a vyjmete baterii. Před započítím údržby vyčkejte minimálně 5 sekund.
- Správným provedením údržby zvýšíte životnost výrobku a snížíte nebezpečí nehod. Odborné opravy by měl provést schválený servisní pracovník. Pro další informace se obraťte na nejbližšího servisního pracovníka.
- Provádějte pouze údržbu uvedenou v tomto návodu k používání. Rozsáhlejší zásahy musí provést schválený servisní pracovník.
- Při manipulaci s žacíím ústrojím používejte silné rukavice. Nůž je velmi ostrý a může snadno dojit k pořezání.
- Pro dosažení nejlepšího výsledku a bezpečnosti zajistěte, aby byla ostří nože čistá a ostrá.
- Zajistěte pravidelné kontroly a provádění potřebného seřízení a oprav výrobku u servisního pracovníka.
- Poškozené, opotřebené či prasklé součásti vyměňte.
- Dodržujte pokyny pro výměnu příslušenství. Používejte výhradně příslušenství od výrobce.
- Pokud není výrobek, baterie a nabíječka baterií právě v provozu, uchovávejte je samostatně v suchém, vnitřním a uzamčeném prostoru. Zajistěte, aby k výrobku, baterii či nabíječce baterií neměly přístup děti ani nepovolané osoby.

Montáž

Úvod



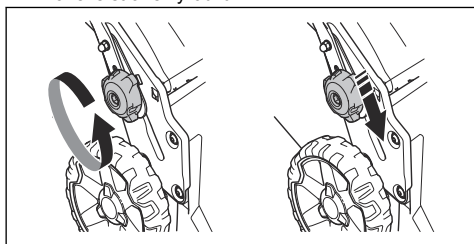
VÝSTRAHA: Před montáží produktu si přečtěte kapitolu bezpečnosti.



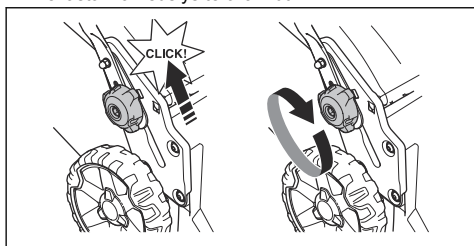
VÝSTRAHA: Neúmyslnému spuštění během montáže můžete zabránit tím, že otočíte bezpečnostní klíček do polohy 0, vyjmete baterii a počkáte alespoň 5 sekund.

Nastavení rukojeti

1. Povolte spodní matici.
2. Posuňte knoflíky na spodní konec drážek na pravé i na levé straně výrobku.



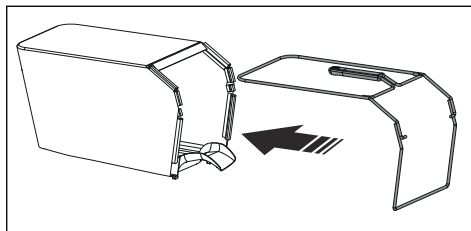
3. Nastavte výšku rukojeti do jedné ze 2 dostupných poloh.
4. Posuňte knoflíky směrem k rukojeti, dokud se nezastaví a neuslyšíte cvaknutí.



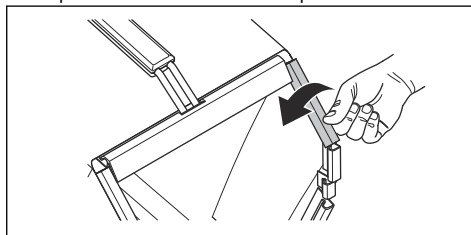
5. Knoflíky řádně utáhněte.

Montáž koše na trávu

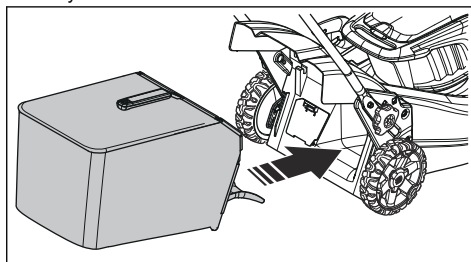
1. Vložte rám do koše na trávu tak, aby pevná část koše směřovala dolů. Dbejte na to, aby bylo madlo rámu na venkovní straně koše.



2. Nasaďte spodní část rámu do drážky na spodní straně koše na trávu.
3. Připevněte koš na trávu k rámu pomocí svorek.



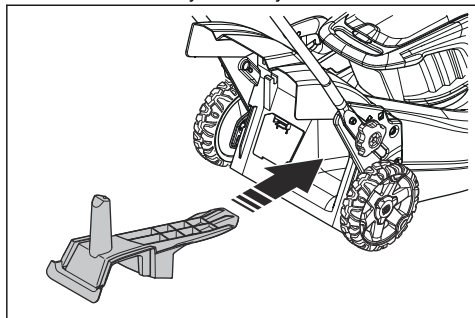
4. Zvedněte zadní kryt.
5. Upevněte sběrací koš k hornímu okraji podvozku.
6. Umístěte dolní část koše na trávu do kanálu výhozu trávy.



Montáž mulčovací vložky (příslušenství)

1. Zvedněte zadní kryt a vyjměte koš na trávu.

2. Vložte do kanálu výhozu trávy mulčovací vložku.



3. Nahrďte nůž mulčovacím nožem dodaným s mulčovací sadou. Další informace naleznete v části *Odmontování a výměna nože na strani 73*.

Provoz

Úvod



VÝSTRAHA: Před používáním produktu je třeba, abyste si přečetli a porozuměli kapitole o bezpečnosti.

Husqvarna Connect

Husqvarna Connect je bezplatná aplikace pro mobilní zařízení. Aplikace Husqvarna Connect dodá vašemu výrobku Husqvarna doplňkové funkce:

- Rozšířené informace o výrobku.
- Informace o dílech a servisu a nápověda pro tyto položky.

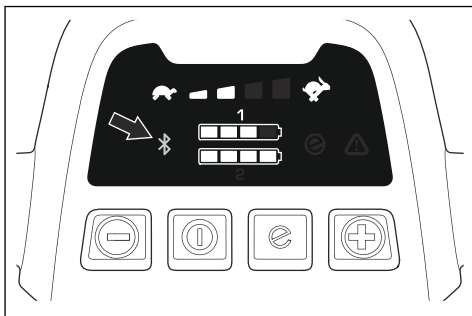
Jak začít používat aplikaci Husqvarna Connect

1. Stáhněte si aplikaci Husqvarna Connect do svého mobilního zařízení.
2. V aplikaci Husqvarna Connect se zaregistrujte.
3. Při připojování a registraci výrobku postupujte podle pokynů v aplikaci Husqvarna Connect.

Informace Bluetooth® (LC 247iX, LC 347iVX, LC 353iVX)

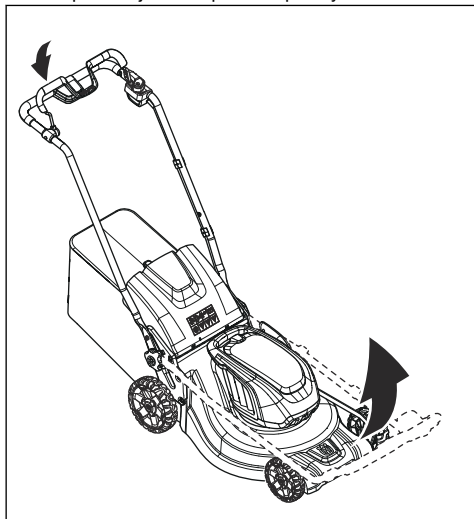
Bezdrátová technologie Bluetooth®

Symbol bezdrátové technologie *Bluetooth®* se rozsvítí, když je vaše mobilní zařízení připojeno k výrobku.

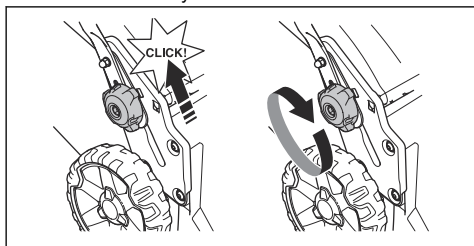


Nastavení výrobku do provozní polohy

1. Sklopte rukojeť do vzpřímené polohy.



2. Posuňte knoflíky směrem k rukojeti, dokud se nezastaví a neuslyšíte cvaknutí.



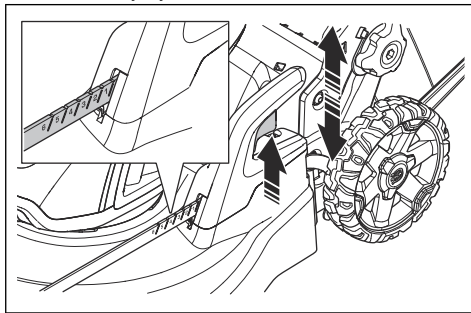
3. Knoflíky řádně utáhněte.

Nastavení výšky sečení

Výšku sečení lze nastavit v 6 úrovních.

1. Chcete-li výšku sečení snížit, posuňte páku pro nastavení výšky sečení dolů.

2. Chcete-li výšku sečení zvýšit, posuňte páku pro nastavení výšky sečení nahoru.



VAROVÁNÍ: Nenastavujte výšku sečení příliš nízko. V případě, že není povrch trávníku rovný, mohou nože přijít do styku se zemí.

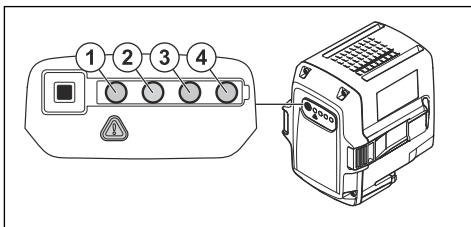
Baterie



VÝSTRAHA: Před použitím baterie je třeba, abyste si přečetli a porozuměli kapitole o bezpečnosti. Rovněž je nezbytné, abyste si přečetli a pochopili návod k používání baterie a nabíječky baterií.

Stav baterie

Displej ukazuje zbývající kapacitu baterie a zda došlo k problémům s baterií. Kapacita baterie se zobrazuje 5 sekund po vypnutí produktu nebo po stisku tlačítka ukazatele stavu baterie. Pokud dojde k chybě, rozsvítí se na baterii výstražný symbol. Viz *Baterie na strani 73*.



Kontrolky LED	Stav baterie
Všechny kontrolky LED svítí	Plné nabití (75–100 %).
Svítí kontrolky LED 1, LED 2, LED 3.	Nabití baterie je 50–75 %.
Svítí kontrolky LED 1, LED 2.	Nabití baterie je 25–50 %.
Svítí kontrolka LED 1.	Baterie je nabitá na 0–20 %.

Kontrolky LED	Stav baterie
Bliká kontrolka LED 1.	Baterie je vybitá. Nabijte baterii.

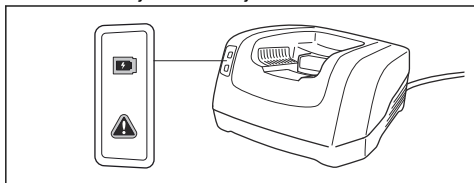
Nabití baterie

Před prvním použitím baterii nabijte. Baterie je při dodání zákazníkovi nabitá pouze na 30 %.

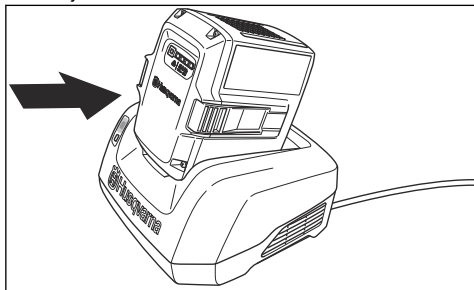
Povšimněte si: Nabíječka baterií musí být připojena ke zdroji o napětí a frekvenci uvedené na typovém štítku.

Pokud teplota baterie přesahuje 50 °C, baterie se nenabíjí. Před zahájením nabíjení zajistí nabíječka baterií snížení teploty baterie.

1. Připojte jeden konec napájecího kabelu nabíječky baterií do zásuvky na nabíječce baterií.
2. Připojte druhý konec napájecího kabelu nabíječky baterií do uzemněné elektrické zásuvky. Kontrolka LED na nabíječce baterií jednou zeleně blikne.



3. Vložte baterii do nabíječky baterií. Když je baterie správně připojena k nabíječce baterií, rozsvítí se na nabíječce zelené světlo.



4. Když svítí všechny kontrolky LED baterie, baterie je plně nabitá. Baterii nabíjejte maximálně po dobu 24 hodin.
5. Když nabíječku baterií odpojíte z elektrické zásuvky, tahejte za zástrčku, nikoliv za kabel.
6. Vyjměte baterii z nabíječky.

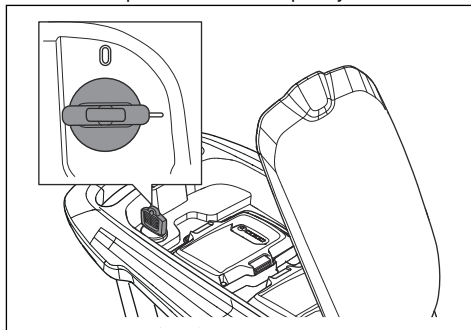
Stav nabíjení baterie

Lithium-iontové baterie Husqvarna lze nabíjet i používat bez ohledu na jejich úroveň nabití. Baterie není poškozená. I když plně nabitou baterii ponecháte v nabíječce, nedojde k poklesu jejího nabití.

LED displej	Stav nabíjení
Bliká kontrolka LED 1.	0–25 %
Svítlí kontrolka LED 1, bliká kontrolka LED 2.	25–50 %
Svítlí kontrolky LED 1, LED 2, bliká kontrolka LED 3.	50–75 %
Svítlí kontrolky LED 1, LED 2, LED 3, bliká kontrolka LED 4.	75–100 %
Svítlí kontrolky LED 1, LED 2, LED 3, LED 4.	Plně nabitá

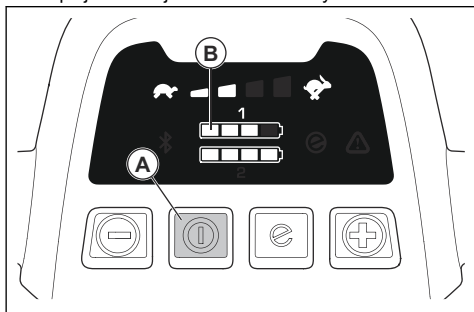
Spuštění výrobku

1. Otevřete víko baterie.
2. Vložte nabitou baterii do některého z držáků baterie. Pro dosažení delší doby provozu vložte druhou nabitou baterii do druhého držáku baterie.
3. Otočte bezpečnostní klíček do polohy 1.

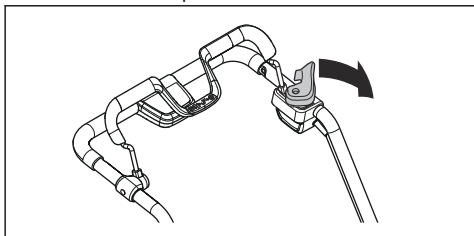


4. Postavte se za výrobek.

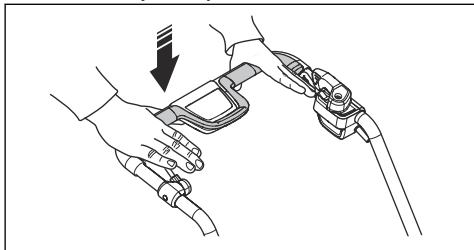
5. Stiskněte tlačítko ON/OFF (ZAP/VYP) (A) na ovládacím panelu. Rozsvítí se displej. Ukazatel stavu baterie (B) zobrazuje úroveň nabití obou baterií. Číslo baterie, která je používána k provozu, je zobrazeno vedle ukazatele stavu baterie. U modelů LC 347iV, LC 347iVX, LC 353iV, LC 353iVX se na displeji zobrazuje také nastavená rychlost.



6. Povolte inhibitor spouštění.

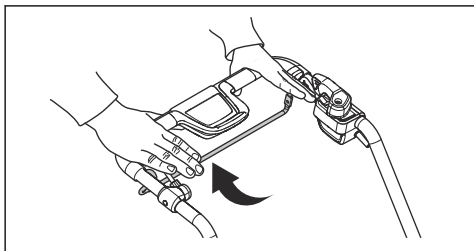


7. Zatláče rukojeť brzdy motoru směrem k řídítkům.

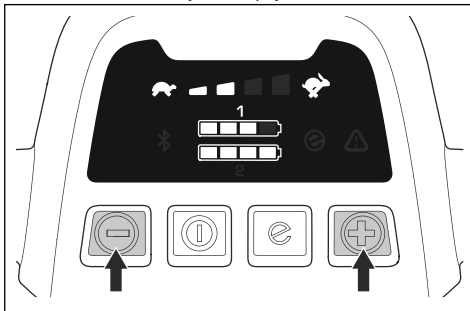


Použití pohonu kol (LC 347iV, LC 347iVX, LC 353iV, LC 353iVX)

- Pojezd spustíte přitáhnutím páky pojezdu směrem k řídítkům.



- Stisknutím tlačítek + a - na ovládacím panelu lze nastavit 4 úrovně rychlosti pojezdu.

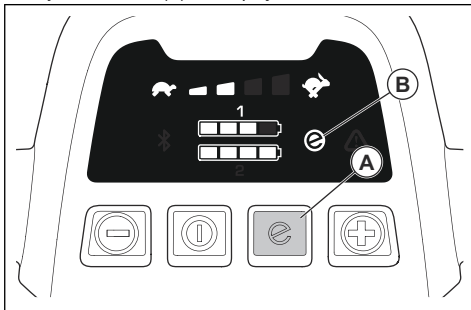


- V blízkosti překážek uvolněte páku pojezdu, aby se deaktivoval pohon.

Použití funkce

Výrobek má funkci úspory energie v bateriích (), která prodlužuje dobu provozu.

- Funkci zapnete stisknutím tlačítka (A). Na displeji se rozsvítí symbol funkce (B).
- Opětovným stisknutím tlačítka funkci vypnete. Symbol funkce (B) na displeji zhasne.



Funkce se vypne automaticky, pokud terénní podmínky vyžadují vyšší výkon. Jakmile to terénní podmínky dovolí, funkce se automaticky znovu zapne.

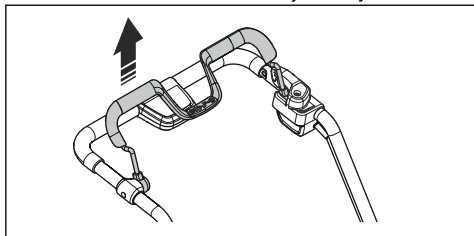
Funkce vysokého zatížení

Když výrobek seká dlouhou či mokrou trávu, motor automaticky zvýší své otáčky. Když není režim vysokého zatížení potřeba, motor se vrátí do standardního režimu.

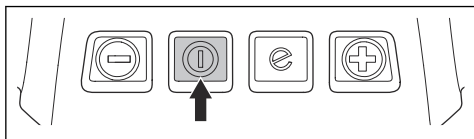
Zastavení výrobku

Výrobek se automaticky vypne po 10 minutách, kdy s ním nepracujete. Před tím, než ponecháte výrobek bez dozoru, otočte vždy bezpečnostní klíček do polohy 0.

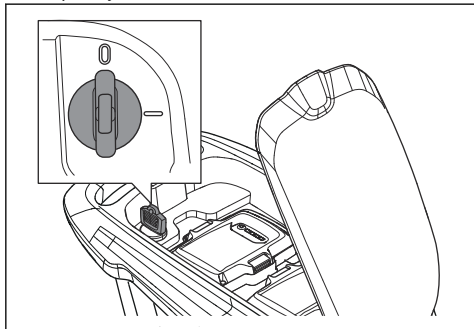
1. Zastavte motor uvolněním rukojeti brzdy motoru.



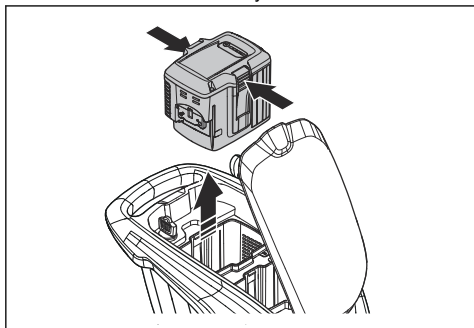
2. Stiskněte tlačítko ON/OFF (ZAP/VYP) na ovládacím panelu. Všechny kontrolky LED a symboly na displeji zhasnou.



3. Otevřete víko baterie a otočte bezpečnostní klíček do polohy 0.



4. Chcete-li baterii vyjmout, stiskněte dvě tlačítka pro uvolnění baterie a baterii vytáhněte.



5. Pokud je baterie slabá, nabijte ji. Více informací naleznete v části *Nabití baterie na strani 69*.

Jak docílit dobrých výsledků

- Používejte vždy ostrý nůž. Při použití tupého nože je střih nepravidelný a posečený povrch trávy žloutne. Ostrý nůž také vyžaduje méně energie než tupý nůž.
- Nesekejte více než $\frac{1}{3}$ výšky trávy. Nejprve sekejte se žacím ústrojím nastaveným vysoko. Zkontrolujte výsledek a případně snižte výšku sečení na požadovanou úroveň. Pokud je tráva velmi vysoká, jezděte pomalu a v případě potřeby sekejte 2krát.
- Sekejte vždy v jiném směru, aby na trávníku nevznikly pruhy.

Sekání trávy bez koše na trávu nebo mulčovací vložky

- Zvedněte zadní kryt a vyjměte koš na trávu.
- Pokud je namontována mulčovací vložka a mulčovací nůž, odstraňte je.
- Než začnete s výrobkem pracovat, zavřete zadní kryt.

Při práci s výrobkem bude posečená tráva vylétávat pod zadním krytem.

Úvod



VÝSTRAHA: Před prováděním údržby je třeba, abyste si přečetli a porozuměli kapitole o bezpečnosti.

Pro servis a opravy výrobku je nezbytné speciální školení. Garantujeme dostupnost profesionálních oprav a servisu. Pokud neposkytuje prodejce servisní služby, požádejte jej o informace o nejbližším servisu.

Plán údržby

Intervaly údržby se vypočítávají na základě každodenního používání výrobku. Intervaly se mění, není-li výrobek používán denně.

U údržby označené symbolem * vyhledejte pokyny v části *Bezpečnostní pokyny pro provoz na strani 61*.

	Každé použití	Měsíčně	Každou sezónu
Provedte běžnou kontrolu.	X		
Vyčistěte výrobek.	X		
Zkontrolujte inhibitor spuštění.*	X		
Zkontrolujte, zda nejsou vadná bezpečnostní zařízení výrobku.*	X		
Zkontrolujte žací ústrojí.	X		
Zkontrolujte kryt žacího ústrojí.*	X		
Zkontrolujte rukojeť brzdy motoru.*	X		
Zkontrolujte, že tlačítko ON/OFF (ZAP/VYP) funguje správně a není vadné.	X		
Zkontrolujte, zda není baterie poškozena.	X		
Zkontrolujte úroveň nabití baterie.	X		
Zkontrolujte, zda na baterii fungují tlačítka pro uvolnění baterie a zda drží baterii v produktu.	X		
Zkontrolujte, zda není nabíječka baterií poškozena a ujistěte se, že funguje správně.		X	
Zkontrolujte připojení mezi baterií a výrobkem. Rovněž zkontrolujte připojení mezi baterií a nabíječkou baterií.			X

Provedení běžné kontroly

- Zajistěte, aby byly matice a šrouby na výrobku správně dotažené.
- Zkontrolujte, že kabely výrobku nejsou na místě, kde by mohlo dojít k jejich poškození.

Čištění výrobku

- Plastové části čistěte čistou a suchou utěrkou.
- Nečistěte výrobek vodou. Voda může proniknout do baterie nebo motoru a způsobit zkrat nebo poškození výrobku.
- K čištění výrobku nepoužívejte vodu pod vysokým tlakem.
- Motor nesmí být přímo oplachován vodou.

- Pomocí kartáče odstraňte listí, trávu a nečistoty.

Čištění baterie nebo nabíječky baterií



VAROVÁNÍ: Baterii ani nabíječku baterií nečistěte vodou.

- Než vložíte baterii do nabíječky, zkontrolujte, zda jsou baterie a nabíječka baterie čisté a suché.
- Očistěte kontakty baterie stlačeným vzduchem nebo použijte měkkou a suchou utěrkou.
- Očistěte povrch baterie a nabíječku baterie měkkou a suchou utěrkou.

Kontrola žacího ústrojí



VÝSTRAHA: Neúmyslnému spuštění můžete zabránit tak, že otočíte bezpečnostní klíček do polohy 0, vyjmete baterii a počkáte alespoň 5 sekund.



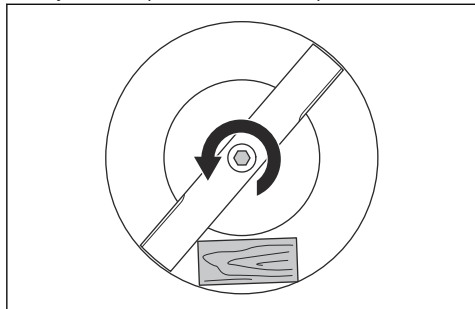
VÝSTRAHA: Při provádění údržby žacího ústrojí používejte ochranné rukavice. Nůž je velmi ostrý a může snadno dojít k pořezání.

1. Zkontrolujte žací ústrojí ohledně poškození a prasklin. Poškozené žací ústrojí vždy vyměňte.
2. Prohlédněte nůž a zkontrolujte, zda není poškozený nebo tupý.

Povšimněte si: Po ostření je nezbytné nůž vyvážit. Výměnu, ostření a vyvážení nože svěřte servisnímu středisku. Dojde-li k nárazu do překážky, po kterém dochází k vypínání výrobku, vyměňte poškozený nůž. O tom, zda je možné nůž nabrousit či zda je nutné ho vyměnit, rozhodne servisní středisko.

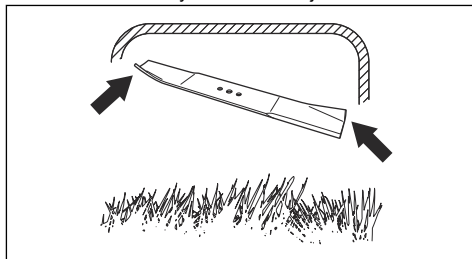
Odmontování a výměna nože

1. Zajistěte nůž pomocí dřevěného špalíku.

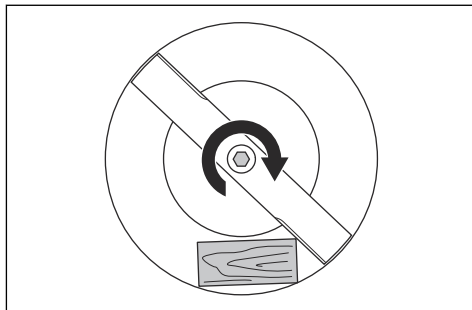


2. Demontujte šroub nože.
3. Odmontujte nůž.
4. Prohlédněte držák nože a šroub nože a zkontrolujte, zda nejsou poškozené.

5. Prohlédněte hřídel motoru a ujistěte se, že není ohnutý.
6. Při montáži nového nože nasměrujte zahnuté konce nože ve směru krytu žacího ústrojí.



7. Zkontrolujte, zda je nůž zarovnaný se středem hřídele motoru.
8. Zajistěte nůž pomocí dřevěného špalíku. Nasadte pružnou podložku a utáhněte šroub a podložku utahovacím momentem 23–28 Nm.



9. Otočte nožem rukou a zkontrolujte, zda se volně otáčí.



VÝSTRAHA: Používejte odolné rukavice. Nůž je velmi ostrý a může snadno dojít k pořezání.

10. Nastartujte výrobek a proveďte test nože. Pokud není nůž správně připevněn, výrobek vibruje a výsledky sečení nejsou uspokojivé.

Odstraňování problémů

Baterie

Kontrolka LED na baterii	Možné závady	Možné řešení
Zelená kontrolka LED bliká	Napětí baterie je nízké	Nabijte baterii. Viz <i>Nabití baterie na strani 69</i> .

Kontrolka LED na baterii	Možné závady	Možné řešení
Chybová kontrolka LED bliká	Baterie je slabá	Nabijte baterii. Viz <i>Baterie na strani 73</i> .
	Teplota v pracovním prostředí je příliš vysoká nebo nízká	Baterii používejte při teplotě -10 °C až 40 °C.
	Přepětí	Zkontrolujte, zda napětí elektrické sítě odpovídá napětí uvedenému na typovém štítku produktu. Vyjměte baterii z nabíječky. Počkejte 5 sekund a zkuste baterii znovu nabít. Pokud potíže přetrvávají, obraťte se na autorizovaného servisního pracovníka.
Chybová kontrolka LED svítí	Příliš velký rozdíl napětí článků (1 V)	Obraťte se na schváleného servisního pracovníka.

Nabíječka baterií

Kontrolka LED na nabíječce baterií	Možné závady	Možné řešení
Chybová kontrolka LED bliká	Teplota v pracovním prostředí je příliš vysoká nebo nízká	Nabíječku baterií používejte při teplotě 5 °C až 40 °C.
Chybová kontrolka LED svítí		Obraťte se na schváleného servisního pracovníka.

Ovládací panel

Klávesnice	Chybový kód (počet bliknutí)	Možné závady	Možná akce
Bliká chybová kontrolka LED	3	Motor je přehřátý	Zvyšte výšku sečení. Další informace naleznete v části <i>Nastavení výšky sečení na strani 68</i> .
	5	Otáčky motoru klesnou příliš nízkou a motor se zastaví	
	10	Došlo k přehřátí ovládacího motoru	Zastavte motor a počkejte, než vychladne.
	2	Nůž je zablokovaný	Neúmyslnému spuštění můžete zabránit tím, že otočíte bezpečnostní klíček do polohy 0, vyjměte baterii a počkáte alespoň 5 sekund. Zkontrolujte, zda se nůž může volně otáčet. Pokud potíže přetrvávají, obraťte se na autorizovaného servisního pracovníka.
	9	Chyba baterie nebo žádný signál z baterie	Vložte správně baterii do výrobku a zkontrolujte konektor baterie. Pokud chybová kontrolka LED na baterii bliká. Další informace naleznete v části <i>Baterie na strani 68</i> .
Výrobek se vypíná	8	Baterie je slabá	Nabijte baterii. Další informace naleznete v části <i>Nabití baterie na strani 69</i> .
	0	Selhání konektoru baterie	Zkontrolujte konektor baterie.

Klávesnice	Chybový kód (počet bliknutí)	Možné závady	Možná akce
Jiné chyby	Pokud se objeví jiná chyba, otočte bezpečnostní klíček do polohy 0, vyjměte baterii a obraťte se na schváleného servisního pracovníka.		

Přeprava, skladování a likvidace

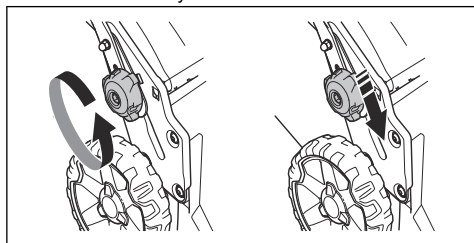
Úvod



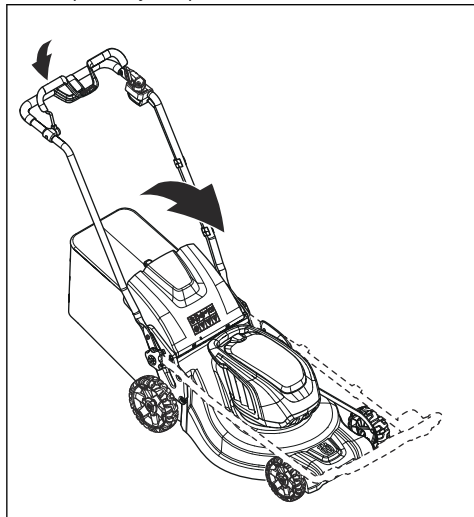
VÝSTRAHA: Neúmyslnému spuštění během přepravy můžete zabránit tím, že otočíte bezpečnostní klíček do polohy „0“, vyjměte baterii a počkáte alespoň 5 sekund.

Nastavení výrobku do přepravní polohy

1. Povolte spodní matici.
2. Posuňte knoflíky na spodní konec drážek na pravé i na levé straně výrobku.



3. Sklopte rukojeť dopředu.



4. Sundejte koš na trávu.

Přeprava

- Na dodané Li-ion baterie se vztahují požadavky legislativy o nebezpečném zboží.
- Při komerční přepravě musí být dodrženy speciální požadavky na balení a označení.
- Při přípravě výrobku k přepravě nespomeňte dbát předpisů pro nebezpečné materiály. Mohou platit místní předpisy.
- Při přepravě vždy vyjměte baterii.
- Přeplete konektory baterie páskou a zajistěte, aby se baterie při přepravě nemohla pohybovat.
- Během přepravy výrobek zajistěte.

Skladování

- Při skladování baterii vždy vyjímějte.
- Abyste zabránili nehodám, zajistěte, aby při skladování nebyla baterie připojena k výrobku.
- Nabíječku baterií uchovávejte na uzavřeném a suchém místě.
- Baterii a nabíječku baterií uchovávejte na suchém místě, kde nehrozí vlhkost či mráz.
- Při skladování baterii odpojte od nabíječky baterií.
- Neskladujte baterii v místech, kde může docházet k výbojům statické elektřiny. Neskladujte baterii v kovovém obalu.
- Baterii uchovávejte na místě s teplotou mezi 5 °C a 25 °C a mimo dosah slunečních paprsků.
- Nabíječku baterií uchovávejte na místě s teplotou mezi 5 °C a 45 °C a mimo dosah slunečních paprsků.
- Ujistěte se, že je baterie před dlouhodobým uskladněním nabitá na 30 % až 50 %.
- Produkt, baterii a nabíječku baterií skladujte v uzamčeném prostoru mimo dosah dětí a nepovolaných osob.
- Před dlouhodobým skladováním výrobku jej vyčistěte a proveďte kompletní údržbu.

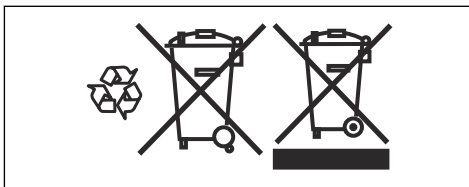
Likvidace

Symbyly na produktu nebo jeho obalu označují, že tento výrobek nesmí být likvidován jako domácí odpad. Musí

být odevzdán do příslušné recyklační stanice pro recyklaci elektrických a elektronických zařízení.

Zajištěním odpovídající likvidace tohoto výrobku pomůžete zabránit potenciálnímu negativnímu dopadu na životní prostředí a zdraví lidí, který by jinak mohl být důsledkem nesprávné likvidace tohoto výrobku. Podrobnější informace o recyklaci tohoto výrobku získáte na městském úřadě, u služby zajišťující

zpracování domácího odpadu nebo v prodejně, kde jste výrobek zakoupili.



Technické údaje

Technické údaje

	LC 247IX/LC 247I	LC 347IVX/LC 347IV	LC 353IVX/LC 353IV
Motor žacího systému			
Typ motoru	BLDC (bezkontaktní) 36V	BLDC (bezkontaktní) 36V	BLDC (bezkontaktní) 36V
Otáčky motoru – SavE, ot/min	2600	2600	2600
Otáčky motoru – jmenovité, ot/min	3000	3000	3000
Otáčky motoru – vysoké zatížení, ot/min	3500	3500	3500
Výkon motoru – max. kW	0,96	0,96	1,05
Výkon motoru – jmenovitý, kW	0,75	0,75	0,9
Hnací motor			
Výkon motoru – jmenovitý, kW	Není k dispozici	0,25	0,25
Rychlost vlastního pojezdu, km/h	Není k dispozici	3,0–4,5	3,0–4,5
Úrovně rychlosti	Není k dispozici	4	4
Hmotnost			
Hmotnost bez baterie, kg	24	26	28
Baterie			
Typ baterie	Řada baterií Husq- varna	Řada baterií Husq- varna	Řada baterií Husq- varna
Doba provozu baterie			
Provozní doba baterie, min. (volný chod) s aktivovanou funkcí SavE, s jednou baterií Husqvarna 5,2 Ah (Bli200).	43	43	32
Provozní doba baterie, min. (volný chod) s aktivovaným standardním režimem, s jed- nou baterií Husqvarna 5,2 Ah (Bli200).	30	30	20
Emise hluku ⁷			
Hladina akustického výkonu, změřená dB (A)	94	94	97

⁷ Emise hluku v životním prostředí měřené jako akustický výkon (L_{WA}) v souladu se směrnicí 2000/14/ES.

	LC 247iX/LC 247i	LC 347iVX/LC 347iV	LC 353iVX/LC 353iV
Hladina akustického výkonu, zaručená L _{WA} dB (A)	95	95	98
Hladina hluku ⁸			
Hladina akustického tlaku na sluch obsluhy, dB (A)	82	82	86
Úrovně vibrací ⁹			
Rukojeť, m/s ²	0,42	0,42	2,64
Řezací zařízení			
Výška sečení, mm	20–75 mm	20–75 mm	20–75 mm
Šířka sečení, cm	47	47	53
Nůž standardní	Sběrný 5905934-10	Sběrný 5905934-10	Sběrný 5940757-10
Příslušenství nože	Mulčovací 5907010-10	Mulčovací 5907010-10	Mulčovací 5950072-10
Kapacita koše na trávu, litry	55	55	60

Radiofrekvenční údaje pro Bluetooth®	LC 247iX	LC 347iVX	LC 353iVX
Frekvenční pásmo, GHz	2,4–2,4835	2,4–2,4835	2,4–2,4835
Výstupní výkon, max., dBm	4	4	4

Schválené baterie	Typ	Kapacita baterie, Ah	Napětí, V	Hmotnost, lb/kg
BLi20	Lithium-iontová	4,0	36	2,6/1,2
BLi30	Lithium-iontová	7,7	36	4,2/1,9
BLi200	Lithium-iontová	5,2	36	2,8/1,3
BLi300	Lithium-iontová	9,4	36	4,1/1,9

Schválené nabíječky pro uvedené baterie, BLi	Vstupní napětí, V	Kmitočet, Hz	Výkon, W
QC80	100–240	50–60	80
QC80F	12	0	80
QC250	100–240	50–60	250

⁸ Uváděná data pro hladinu tlaku zvuku mají typickou statistickou odchylku (standardní odchylku) 1,2 dB (A).

⁹ Uváděná data o úrovni vibrací mají typickou statistickou odchylku (standardní odchylku) 0,2 m/s². Norma vibrací EN 60335-2-77:2017 kapitola 20.105

Schválené nabíječky pro uvedené baterie, BLi	Vstupní napětí, V	Kmitočet, Hz	Výkon, W
QC330	100–240	50–60	330
QC500	100–240	50–60	500

ES Prohlášení o shodě

ES Prohlášení o shodě

Husqvarna AB, SE-561 82 Huskvarna, Švédsko, tel: +46-36-146500, prohlašuje, že **sekačka na trávu Husqvarna LC 247I, LC 247IX, LC 347IV, LC 347IVX, LC 353IV, LC 353IVX** vyrobená v roce 2018 a později splňuje požadavky SMĚRNICE RADY:

- z 8. června 2011 o „omezení používání některých nebezpečných látek“ **2011/65/EU**
- ze 17. května 2006 „týkající se strojních zařízení“ **2006/42/ES**
- z 8. května 2000 „týkající se emisí hluku v okolním prostředí“ **2000/14/ES**

Informace o emisích hluku najdete v části *Technické údaje na strani 76*.

Byly uplatněny následující normy:

EN/IEC 60335-1, EN/IEC 60335-2-77, EN/IEC 62233, EN 55014-1, EN ETSI 301 489-7 v1.3.1, EN 61000-6, ETSI EN 61000-6-1, EN 300 328 BT low energy Tx/Rx, EN 50581

Není-li uvedeno jinak, platí výše uvedené normy v poslední vydané verzi.

Oznámený subjekt: **0404, RISE SMP Svensk Maskinprovning AB, Box 7035, SE-750 07 Uppsala**

provedl vyhodnocení shody podle přílohy VI směrnice 2000/14/ES.

Huskvarna, 2020-04-22



Claes Losdal, Development Manager/Garden Products (ředitel vývoje zahradního sortimentu) (Autorizovaný zástupce společnosti Husqvarna AB a osoba odpovědná za technickou dokumentaci.)

Registrované ochranné známky

Slovo a loga *Bluetooth®* jsou registrované ochranné známky vlastněné společností *Bluetooth SIG, inc.*. Použití těchto známek společností Husqvarna podléhá licenci.

Indhold

Indledning.....	80	Fejlfinding.....	99
Sikkerhed.....	84	Transport, opbevaring og bortskaffelse.....	100
Montering.....	92	Tekniske data.....	101
Drift.....	93	EU-overensstemmelseserklæring.....	104
Vedligeholdelse.....	97	Registrerede varemærker.....	104

Indledning

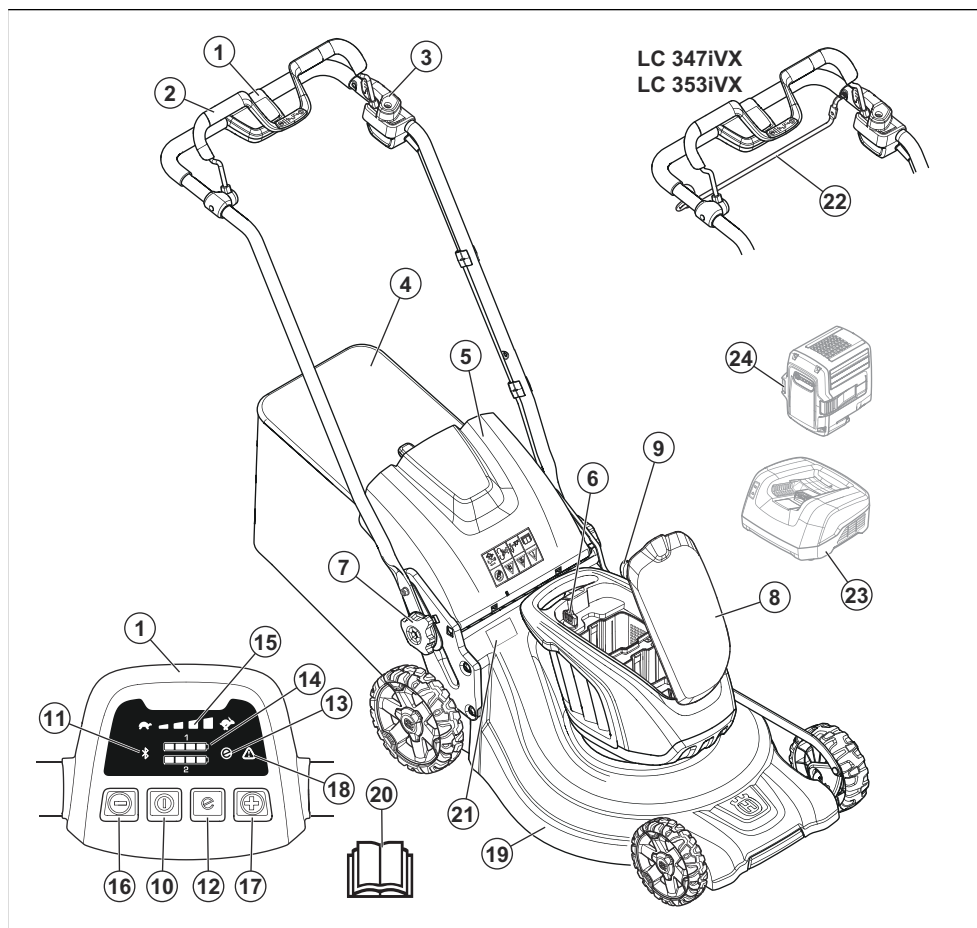
Produktbeskrivelse

Produktet er en roterende plæneklipper med gående fører. Græsset opsamles i en græsopsamler. Fjern græsopsamleren for at få bagudkast af græsset. Monter et bioklipsæt (ekstraudstyr), og klip græsset til gødning.

Anvendelsesformål

Brug produktet til at slå græs. Brug ikke produktet til andre opgaver.

Produktoversigt



- | | |
|---|--|
| 1. Betjeningspanel | 15. Hastighedsniveauindikator (LC 347iV, LC 347iVX, LC 353iV, LC 353iVX) |
| 2. Motorbremsehåndtag | 16. Hastighedsreduktions-knap (LC 347iV, LC 347iVX, LC 353iV, LC 353iVX) |
| 3. Startspærre | 17. Hastighedsforøgelsesknop (LC 347iV, LC 347iVX, LC 353iV, LC 353iVX) |
| 4. Græsopsamler | 18. Fejl-LED |
| 5. Bageste dæksel | 19. Klippeskjold |
| 6. Sikkerhedsnøgle | 20. Brugsanvisning |
| 7. Reguleringshåndgreb | 21. Typeskilt |
| 8. Batteridæksel | 22. Bøjle til fremtræk (LC 347iV, LC 347iVX, LC 353iV, LC 353iVX) |
| 9. Klippehøjdejustering | 23. Batterioplader (tilbehør) |
| 10. ON/OFF-knap | 24. Batteri (tilbehør) |
| 11. Indikator for <i>Bluetooth</i> [®] trådløs teknologi | |
| 12. SavE-knap | |
| 13. Indikator for SavE | |
| 14. Batteriindikator | |

Symboler på produktet



ADVARSEL! Vær forsigtig, og brug produktet korrekt. Dette produkt kan forårsage alvorlig personskade eller død for brugeren eller andre.



Læs brugsanvisningen omhyggeligt igennem, og sørg for at have forstået instruktionerne, inden du bruger produktet.



Hold uvedkommende personer og dyr på sikker afstand af arbejdsstedet.



Pas på udslyngede genstande og rikochettering.



Advarsel: Hold hænder og fødder på sikker afstand af den roterende klinge.



Advarsel: Hold hænder og fødder på sikker

afstand af bevægelige dele.



Fjern sikkerhedsnøglen, inden du udfører reparationsarbejde eller vedligeholdelse.



Må ikke udsættes for regn.



Produktet og produktemballagen er ikke almindeligt husholdningsaffald. Aflever det på en genbrugsstation til elektrisk og elektronisk udstyr.



Produktet er i overensstemmelse med de gældende EF-direktiver.



Produktet er i overensstemmelse med de gældende Eurasian Customs Union-direktiver.



Produktet er i overensstemmelse med de gældende UkrSEPRO-direktiver.



Produktet er i overensstemmelse med de gældende RCM-direktiver. Gælder kun i AU/NZ



Hurtigt



Kode, der kan scannes



Emission af støj til omgivelserne i henhold til EU-direktiv 2000/14/EF og New South Wales' lovgivning om "Beskyttelse af miljøet (støjbegrensning) forordning 2017". Data om emission af støj findes på maskinens mærkat og i kapitlet Tekniske data.

Bemærk: Andre symboler/ mærkater på produktet henviser til certificeringskrav på visse markeder.

Mærkat på produktet



IPX1 Produktet er drybeskyttet.

Startprocedure: Tryk på ON/OFF-knappen, løsn startspærren, tryk motorbremsehåndtaget ned.



Hold hænder og fødder på sikker afstand af de roterende klinger.

Produktansvar

Som nævnt i produktansvarsbestemmelserne hæfter vi ikke for skader forårsaget af vores produkt, hvis:

- produktet er forkert repareret.
- produktet er repareret med dele, der ikke er fra producenten eller ikke er godkendt af producenten
- produktet har tilbehør, der ikke er fra producenten eller ikke er godkendt af producenten.
- produktet ikke er repareret på et godkendt servicecenter eller af en godkendt myndighed.



Slip motorbremsehåndtaget for at stoppe.



Langsomt

Sikkerhed

Sikkerhedsdefinitioner

Advarsler, forholdsregler og bemærkninger bruges til at pege på særligt vigtige dele af brugsanvisningen.



ADVARSEL: Bruges, hvis føreren udsætter sig selv eller omkringstående personer for risiko for personskade eller dødsfald ved tilsidesættelse af instruktionerne i brugsanvisningen.



BEMÆRK: Bruges, hvis der er risiko for skader på produktet, andre materialer eller det omgivende område ved tilsidesættelse af instruktionerne i brugsanvisningen.

Bemærk: Bruges til at give yderligere oplysninger, der er nødvendige i en given situation.

Generelle sikkerhedsinstruktioner



ADVARSEL: Læs følgende advarselsinstruktioner, inden du bruger produktet.

-
- Dette produkt er farligt, hvis det bruges forkert, eller hvis du ikke er forsigtig. Personskade eller dødsfald kan forekomme, hvis du ikke overholder sikkerhedsinstruktionerne.
 - Dette produkt danner et elektromagnetisk felt under drift. Dette felt kan i nogle tilfælde påvirke aktive eller passive medicinske implantater. For at reducere risikoen for alvorlige eller dødbringende kvæstelser anbefaler vi, at personer med medicinske implantater kontakter deres læge og producenten af det medicinske implantat, før de tager produktet i brug.
 - Vær altid forsigtig, og brug din sunde fornuft. Hvis du ikke er sikker på, hvordan produktet betjenes en særlig situation:

Stop, og kontakt Husqvarna forhandleren, inden du fortsætter.

- Vær opmærksom på, at føreren er ansvarlig for ulykker, der involverer andre personer eller disses ejendom.
- Hold produktet rent. Sørg for, at skilte og mærkater er tydeligt læsbare.
- Lad aldrig børn eller personer, der ikke kender apparatet, bruge det. Der kan være lokale regler, for hvor gammel brugeren skal være
- Hold altid øje med personer med nedsat fysisk eller mental kapacitet, der bruger produktet. En voksen skal være til stede hele tiden.
- Brug ikke produktet, hvis du er træt, syg eller påvirket af alkohol, narkotika eller medicin. Det har en negativ virkning på synet, overblikket, koordinationsevnen og dømmekraften.
- Brug ikke produktet, hvis det er fejlbehæftet.
- Foretag ikke ændringer på produktet, og undlad at bruge det, hvis der er risiko for, at det er blevet ændret af andre.

Sikkerhed i arbejdsområdet



ADVARSEL: Læs følgende advarselsinstruktioner, inden du bruger produktet.

- Fjern genstande såsom grene, kviste og sten fra arbejdsområdet, inden du bruger produktet.
- Genstande, som rammer skæreudstyret, kan udslynges og forårsage person- og tingskade. Hold omkringstående personer og dyr på sikker afstand af produktet.
- Undlad at bruge produktet i dårligt vejr, som f.eks. tåge, regn, hård vind, kraftig kulde og ved risiko for lynnedslag. Det kan være trættende at bruge produktet i dårligt vejr eller i fugtige eller våde områder. Dårligt vejr kan medføre farlige forhold, f.eks. glatte underlag.
- Pas på personer, genstande og situationer, som kan forhindre sikker brug af produktet.
- Pas på forhindringer som f.eks. rødder, sten, kviste,

- huller og grøfter. Langt græs kan skjule hindringer.
- Det kan være farligt at klippe græs på skråninger. Slå ikke græsset på meget stejle skråninger. Brug ikke produktet på skråninger, der hælder mere end 15°.
 - Udvis den yderste forsigtighed ved ændring af retning på skråninger. Lad produktet køre på tværs af skråninger. Kør ikke op og ned.
 - Vær forsigtig, når du nærmer dig uoverskuelige hjørner og genstande, som blokerer for udsynet.

Arbejdssikkerhed



ADVARSEL: Læs følgende advarselsinstruktioner, inden du bruger produktet.

- Brug kun produktet til græsslåning. Det er ikke tilladt at bruge det til andre opgaver.
- Bær personligt beskyttelsesudstyr. Se *Personligt beskyttelsesudstyr på side 87*.
- Sørg for, at du ved, hvordan du standser motoren hurtigt i nødstilfælde.
- Betjen ikke produktet i regn eller våde omgivelser. Risikoen for elektriske stød øges, hvis der trænger vand ind i produktet.
- Betjen ikke produktet, medmindre klingens og alle afskærmninger er monteret korrekt. En forkert monteret klinge kan løsne sig og forårsage personskade.
- Sørg for, at klingens ikke rammer genstande som f.eks. sten og rødder. Det kan beskadige klingens og bøje motorakslen. En bøjet aksel giver kraftige vibrationer og stor risiko for, at kniven løsner sig.
- Hvis kniven rammer en genstand, eller der opstår vibrationer, skal du straks standse produktet. Stands motoren, drej sikkerhedsnøglen til 0, og afmonter batteriet. Undersøg, om produktet er blevet beskadiget. Reparer skader, eller lad et autoriseret serviceværksted udføre reparationen.
- Fastgør aldrig motorbremsehåndtaget permanent på styret, når motoren er startet.

- Anbring produktet på et stabilt, fladt underlag, og start det. Sørg for, at kniven ikke rammer jorden eller andre genstande.
- Hold dig altid bag produktet, mens du betjener det.
- Lad alle hjulene blive på jorden, og hold 2 hænder på styret, når du betjener produktet. Hold hænder og fødder på sikker afstand af de roterende klinger.
- Tip ikke produktet, når motoren er startet.
- Vær forsigtig, når du trækker produktet baglæns.
- Løft aldrig produktet, når motoren er startet. Hvis du skal løfte produktet, skal du først stoppe motoren, dreje sikkerhedsnøglen til 0 og afmontere batteriet.
- Gå ikke baglæns, når du bruger produktet.
- Stands motoren, når du bevæger dig hen over områder uden græs, f.eks. stier med grus, sten og asfalt.
- Undlad at køre med produktet, når motoren er startet. Gå altid fremad, når du bruger produktet.
- Stands motoren, inden du ændrer klippehøjden. Foretag

aldrig justeringer, når motoren er startet.

- Efterlad aldrig produktet uden opsyn, når motoren er startet. Stands motoren, og sørg for, at skæreudstyret ikke roterer.

Sikkerhedsinstruktioner for drift

Personligt beskyttelsesudstyr



ADVARSEL: Læs

følgende

advarselsinstruktioner, inden du bruger produktet.

- Personligt beskyttelsesudstyr udelukker ikke fuldstændigt risikoen for personskader, men det mindsker graden af skaderne i tilfælde af, at der skulle ske en ulykke. Lad forhandleren hjælpe dig med at vælge det rigtige udstyr.
- Brug kraftige, skridsikre støvler eller sko. Brug ikke åbne sko, og gå heller ikke på bare fødder.
- Brug kraftige, lange bukser.
- Brug om nødvendigt beskytteshandsker, f.eks. ved montering, eftersyn eller rengøring af skæreudstyret.

Sikkerhedsanordninger på produktet



ADVARSEL: Læs følgende advarselsinstruktioner, inden du bruger produktet.

- Brug ikke et produkt med defekte sikkerhedsanordninger.
- Kontrollér sikkerhedsanordningerne regelmæssigt. Hvis sikkerhedsanordningerne er defekte, skal du henvende dig til dit Husqvarna-serviceværksted.

Sådan kontrolleres klippeskjoldet

Klippeskjoldet mindsker vibrationer i produktet og reducerer risikoen for skader fra klingene.

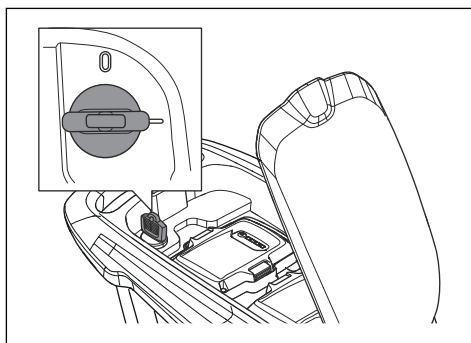
- Undersøg klippeskjoldet for at sikre, at der ikke er skader såsom revner.

Sikkerhedsnøgle

Sikkerhedsnøglen er under batterilåget. Sikkerhedsnøglen

forbinder det batteri, der forsyner motoren med strøm.

- Start og stop motoren for at kontrollere sikkerhedsnøglen.
- Hvis sikkerhedsnøglen fungerer korrekt, kan motoren kun starte, når nøglen er i position 1.



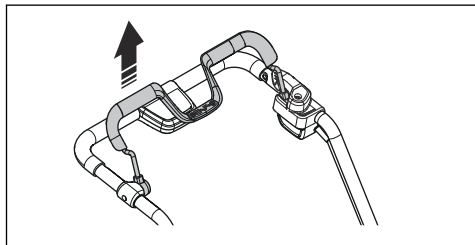
Motorbremsehåndtag

Motorbremsehåndtaget standser motoren. Når motorbremsehåndtaget slippes, standser motoren.

Ved kontrol af motorbremsen startes motoren, hvorefter motorbremsehåndtaget slippes. Hvis motoren ikke standser inden for 3 sekunder, skal et godkendt Husqvarna-

serviceværksted justere motorbremsen.

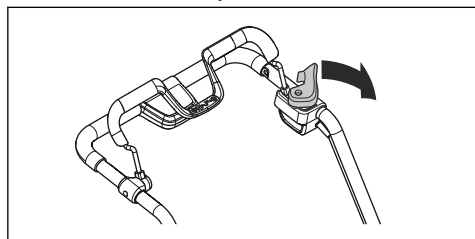
inden du bruger produktet.



Sådan efterses startspærren

Eftersø startspærren for at sikre, at den forhindrer drift af motoren.

1. Skub bøjlen til fremtrækket i retning mod styret. Startspærren standser bevægelsen.
2. Skub startspærren ud.



3. Slip startspærren, og sørg for, at den returnerer til udgangspositionen.

Batterisikkerhed



ADVARSEL: Læs følgende advarselsinstruktioner,

- Brug kun genopladelige Husqvarna-batterier som strømforsyning til relaterede Husqvarna-produkter. For at undgå personskade, må batteriet ikke anvendes som strømforsyning til andre produkter.
- Undgå at bruge ikke-genopladelige batterier.
- Risiko for elektrisk stød. Tilslut ikke batteripolerne til nøgler, mønter, skruer eller andre metalgenstande. Dette kan medføre en kortslutning af batteriet.
- Sæt ikke genstande ind i batteriets luftspalte.
- Hold batteriet væk fra sollys, varme og åben ild. Batteriet kan eksplodere og medføre forbrændinger og/eller kemiske forbrændinger.
- Hold batteriet væk fra regn og våde omgivelser.
- Hold batteriet væk fra mikrobølger og højt tryk.
- Forsøg ikke at skille batteriet ad eller ødelægge det.
- Hvis batteriet lækker, skal du sørge for, at væsken ikke kommer i kontakt med hud eller øjne. Ved berøring af

- væsken skal området skylles med en stor mængde vand, og opsig derefter lægehjælp.
- Brug batteriet i temperaturer mellem -10 °C og 40 °C.
 - Batteriet eller batteriopladeren må aldrig rengøres med vand. Se *Sådan rengøres batteriet og batteriopladeren på side 98*.
 - Brug ikke et defekt eller beskadiget batteri.
 - Opbevar batterierne væk fra metalgenstande som f.eks. søm, mønter og smykker.

Batteriopladersikkerhed



ADVARSEL: Læs følgende advarselsinstruktioner, inden du bruger produktet.

- Dette produkt danner et elektromagnetisk felt under drift. Dette felt kan i nogle tilfælde påvirke aktive eller passive medicinske implantater. For at reducere risikoen for alvorlige eller dødbringende kvæstelser anbefaler vi, at personer med medicinske implantater kontakter deres læge og producenten af det medicinske implantat, før de tager produktet i brug.
 - Undersøg regelmæssigt, at ledningen til batteriopladeren er intakt, og at der ikke er revner i den.
 - Løft aldrig batteriopladeren ved hjælp af ledningen. Træk stikket ud for at afbryde batteriopladeren fra stikkontakten. Træk ikke i ledningen.
 - Hold strømledningen og forlængerledninger væk fra vand, olie og skarpe kanter. Sørg for, at ledningen ikke bliver klemt i døre, hegn eller lignende. Det kan medføre, at opladeren bliver strømførende.
 - Batteriopladeren må aldrig rengøres med vand.
 - Batteriopladeren kan bruges af børn fra 8 år og opad samt af personer med nedsatte
- Brug udelukkende QC-batteriopladerne til at oplade udskiftelige Husqvarna-batterier.
 - Minimér risikoen for elektrisk stød eller kortslutning. Sæt ikke genstande ind i opladerens luftspalte. Forsøg aldrig at adskille batteriopladeren. Forbind ikke batteriopladerens poler med metalgenstande. Brug en godkendt stikkontakt.

fysiske, følelsesmæssige eller mentale evner eller manglede erfaring og viden, hvis de er under opsyn eller har modtaget træning i brugen af batteriopladeren på en sikker måde og forstår farerne, der er forbundet med brugen. Børn må ikke lege med

batteriopladeren. Rengøring og vedligeholdelse må ikke udføres af børn uden overvågning.

- Ikke-genopladelige batterier må ikke oplades i batteriopladeren.
- Brug ikke batteriopladeren i nærheden af brandfarlige materialer eller materialer, der kan medføre korrosion. Batteriopladeren må ikke tildækkes. I tilfælde af røgafgivelse eller brand skal batteriopladeren afbrydes fra stikkontakten.
- Brug ikke defekte eller beskadigede batteriopladere.
- Oplad kun batteriet indendørs i et rum med god ventilation og beskyttet mod direkte sollys. Oplad ikke batteriet under våde forhold.

Sikkerhedsinstruktioner for vedligeholdelse



ADVARSEL: Læs

følgende

advarselsinstruktioner, inden du bruger produktet.

- For at undgå utilsigtet start i forbindelse med vedligeholdelse, skal du dreje sikkerhedsnøglen til 0 og fjerne batteriet. Vent i mindst 5 sekunder, før du påbegynder vedligeholdelse.
- Udfør vedligeholdelsesarbejde korrekt for at øge levetiden for produktet og mindske risikoen for ulykker. Lad et godkendt serviceværksted udføre professionelle reparationer. Kontakt dit nærmeste serviceværksted for at få flere oplysninger.
- Foretag kun den form for vedligeholdelsesarbejde, der er angivet i denne brugsanvisning. Mere omfattende arbejde skal udføres af et godkendt serviceværksted.
- Ifør dig kraftige handsker, når du anvender skæredestyret. Klingen er meget skarp, og du

- kan nemt komme til at skære dig.
- Hold klingerne skarpe og rene for at sikre den bedst mulige ydeevne.
- Lad jævnligt serviceværkstedet efterse produktet og foretage de nødvendige justeringer og reparationer.
- Udskift beskadigede, slidte eller defekte dele.

- Følg vejledningen for, hvordan du udskifter tilbehør. Brug kun tilbehør fra producenten.
- Når de ikke er i drift, skal du holde produktet, batteriet og batteriopladeren adskilt et tørt, indendørs og aflåst sted. Sørg for, at børn og personer, som ikke er godkendt, ikke kan få adgang til produktet, batteriet eller batteriopladeren.

Montering

Indledning



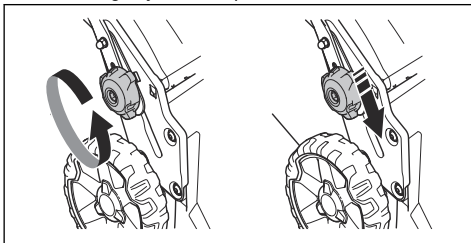
ADVARSEL: Før du samler produktet, skal du læse sikkerhedskapitlet.



ADVARSEL: For at undgå utilsigtet start under monteringen, skal du dreje sikkerhedsnøglen til 0, fjerne batteriet og vente i mindst 5 sekunder.

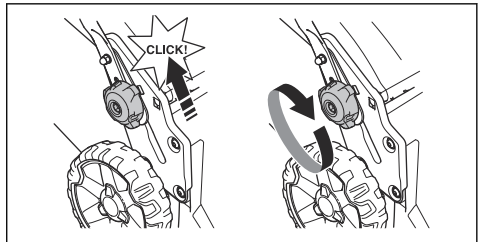
Sådan justeres håndtaget

1. Løsn de nederste skruehåndtag.
2. Flyt grebene til den nederste ende af rillerne på venstre og højre side af produktet.



3. Sæt håndtagets højde i en af de 2 mulige stillinger.

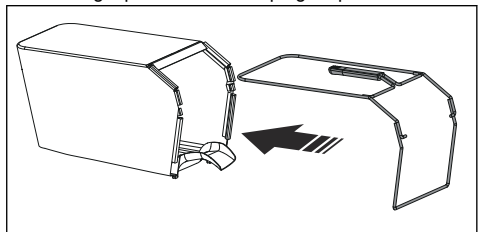
4. Flyt grebene op i retning af håndtaget, indtil de stopper, og der høres et klik.



5. Spænd skruehåndtagene hårdt.

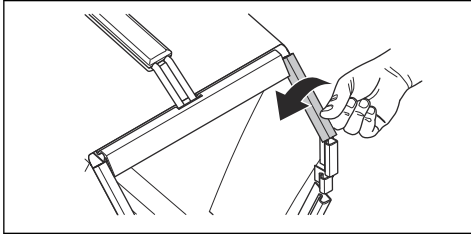
Sådan samles græsopsamleren

1. Fastgør græsopsamlerens ramme til græsposen med den afstivede del af posen nederst. Hold håndtaget på rammen oven på græsposen.

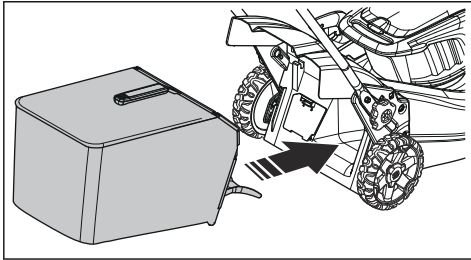


2. Fastgør den nederste del af græsopsamlerens ramme i sporet i bunden af græsopsamleren.

3. Fastgør græsposen til græsopsamlerens ramme med clipsene.

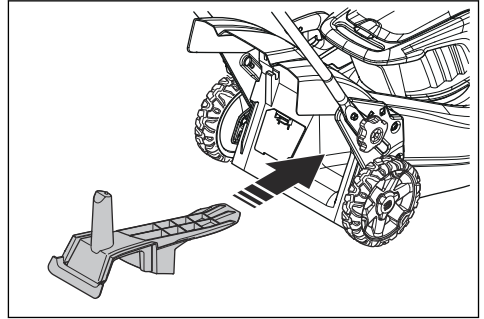


4. Løft det bageste dæksel.
5. Fastgør græsopsamleren på chassisets øverste kant.
6. Sæt græsopsamlerens nederste del i græsudkastkanalen.



Sådan samles bioklipproppen (tilbehør)

1. Løft det bageste dæksel, og fjern græsopsamleren.
2. Sæt bioklipproppen i udkastkanalen.



3. Udskift klingen med findelingssættet i findelingssættet. Se *Sådan fjernes og udskiftes klingen på side 98.*

Drift

Indledning



ADVARSEL: Før du bruger produktet, skal du læse og forstå kapitlet om sikkerhed.

Husqvarna Connect

Husqvarna Connect er en gratis app til din mobile enhed. Appen Husqvarna Connect giver udvidede funktioner til dit Husqvarna produkt:

- Yderligere produktoplysninger.
- Oplysninger om, og hjælp til, dele og service.

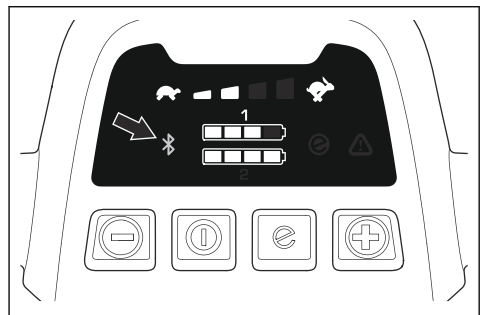
Sådan kommer du i gang med at bruge Husqvarna Connect

1. Download Husqvarna Connect appen på din mobile enhed.
2. Tilmeld dig i Husqvarna Connect appen.
3. Følg instruktionerne i Husqvarna Connect appen for at tilslutte og registrere produktet.

Bluetooth® oplysning (LC 247iX, LC 347iVX, LC 353iVX)

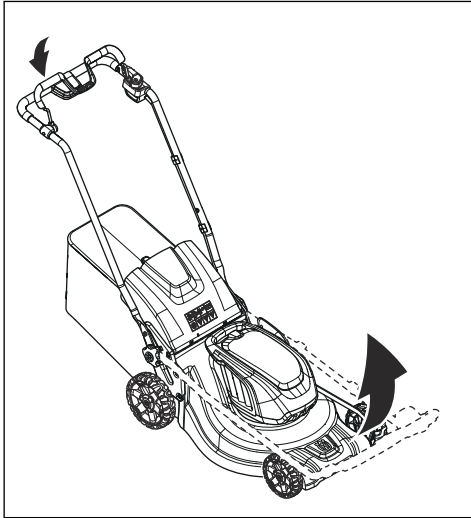
Bluetooth® trådløs teknologi

Symbolet for *Bluetooth®* trådløs teknologi tænder, når din mobile enhed er tilsluttet til produktet.

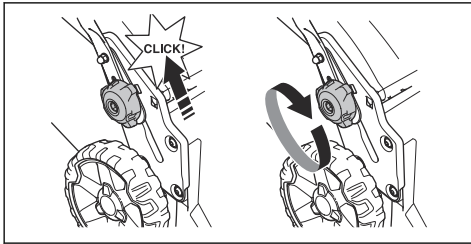


Sådan sættes produktet i driftsstilling

1. Fold håndtaget ud i opretstående stilling.



2. Flyt grebene op i retning af håndtaget, indtil de stopper, og der høres et klik.



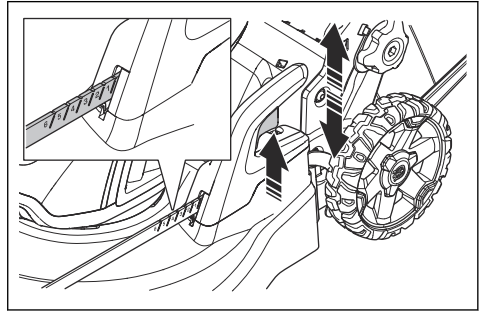
3. Spænd skruehåndtagene hårdt.

Sådan indstilles klippehøjden

Klippehøjden kan justeres i 6 niveauer.

1. Flyt klippehøjdehåndtaget ned for at mindske klippehøjden.

2. Flyt klippehøjdehåndtaget op for at øge klippehøjden.



BEMÆRK: Indstil ikke klippehøjden for lavt. Knivene kan ramme jorden, hvis græsplænenes overflade ikke er jævn.

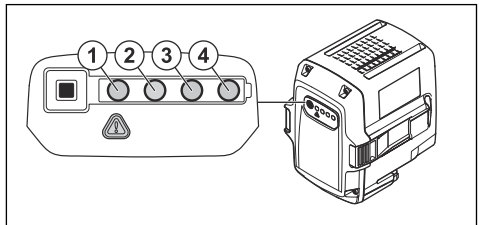
Batteri



ADVARSEL: Inden brug af produktet skal du læse og sætte dig ind i kapitlet om sikkerhed. Du skal også læse og sætte dig ind i brugsanvisningen for batteriet og batteripladeren.

Batteristatus

Displayet viser batteriets resterende batterikapacitet, og om der er problemer med batteriet. Batterikapaciteten vises i 5 sekunder, efter at produktet er slukket, eller batteriindikatorknappen er trykket ned. Advarselssymbolet på batteriet er tændt, når der er sket en fejl. Se *Batteri på side 99*.



LED-lys	Batteristatus
Alle LED'er er tændt	Fuldt opladet (75-100 %)
LED 1, LED 2 og LED 3 er tændt	Batteriet er opladet 50-75 %
LED 1 og LED 2 er tændt	Batteriet er opladet 25-50 %
LED 1 er tændt	Batteriet er opladet 0-25 %.

LED-lys	Batteristatus
LED 1 blinker	Batteriet er afladet. Oplad batteriet.

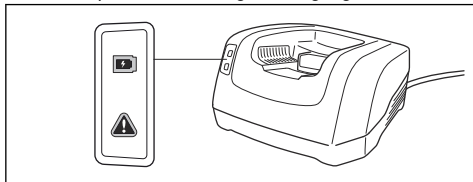
Sådan oplades batteriet

Oplad batteriet, inden første ibrugtagning. Batteriet er kun 30 % opladet, når det leveres til kunden.

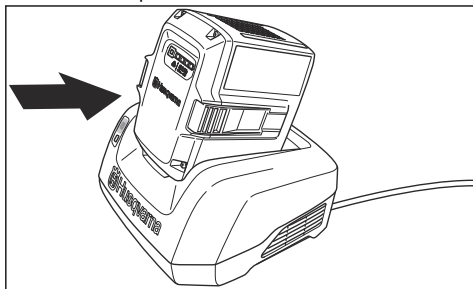
Bemærk: Batteriopladeren skal tilsluttes til den spænding og frekvens, der fremgår af typeskiltet.

Batteriet oplades ikke, hvis batteriets temperatur er over 50 °C. Batteriopladeren sænker batteriets temperatur, før det begynder at oplade.

1. Forbind den ene ende af ledningen til batteriopladeren til stikket på batteriopladeren.
2. Forbind den anden ende af ledningen til en jordet stikkontakt. LED'en på batteriopladeren blinker grønt én gang.



3. Isæt batteriet i batteriopladeren. Den grønne lampe på opladeren lyser, når batteriet er korrekt forbundet med batteriopladeren.



4. Når alle LED'erne på batteriet er tændt, er batteriet fuldt opladet. Oplad batteriet i maks. 24 timer.
5. For at afbryde batteriopladeren fra stikkontakten, skal du trække i stikket, ikke i ledningen.
6. Fjern batteriet fra batteriopladeren.

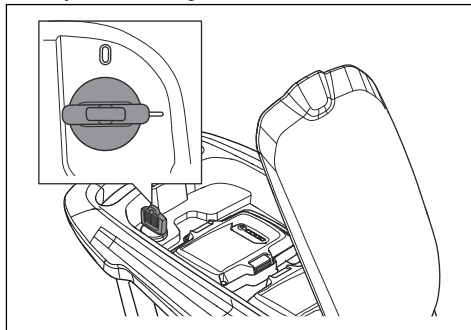
Batteriets ladestatus

Et Husqvarna-li-ion-batteri kan oplades eller bruges på alle opladningsniveauer. Batteriet er ikke beskadiget. Et fuldt opladet batteri vil ikke aflades, når batteriet efterlades i opladeren.

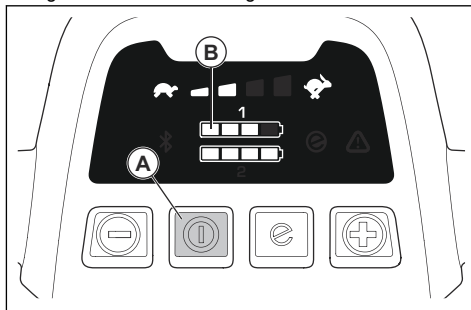
LED-display	Ladestatus
LED 1 blinker	0 %-25 %
LED 1 er tændt, LED 2 blinker	25 %-50 %
LED 1, LED 2 er tændt, LED 3 blinker	50 %-75 %
LED 1, LED 2, LED 3 er tændt, LED 4 blinker	75 %-100 %
LED 1, LED 2, LED 3, LED 4 er tændt	Fuldt opladet

Sådan startes produktet

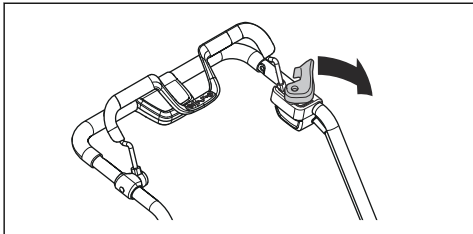
1. Åbn batterilåget.
2. Isæt et opladet batteri i 1 af batterirummene. For længere driftstid, skal du isætte et andet opladet batteri i det andet batterirum.
3. Drej sikkerhedsnøglen til 1.



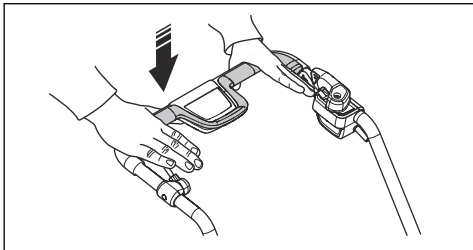
4. Stil dig bag produktet.
5. Skub ON/OFF-knappen (A) på kontrolpanelet. Displayet tændes. Batteriindikatoren (B) viser opladningsniveauet for de 2 batterier. Antallet af batteriindikatoren. For modellerne LC 347iV, LC 347iVX, LC 353iV, LC 353iVX viser displayet også den indstillede hastighed.



6. Løsn startspærren.

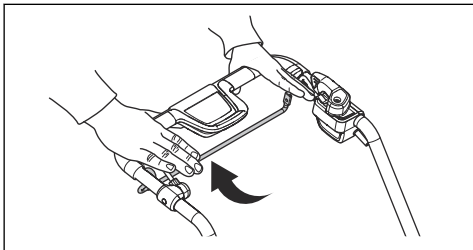


7. Skub bøjlen til fremtrækket i retning mod styret.

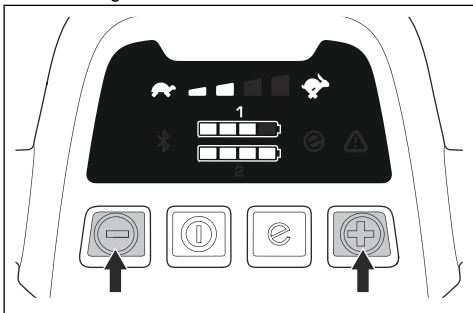


Sådan bruges hjulenes fremtræk (LC 347iV, LC 347iVX, LC 353iV, LC 353iVX)

- Træk bøjlen til fremtrækket i retning af styret for at starte drevet.



- Tryk på + og - på betjeningspanelet for at indstille kørehastigheden i 4 trin.

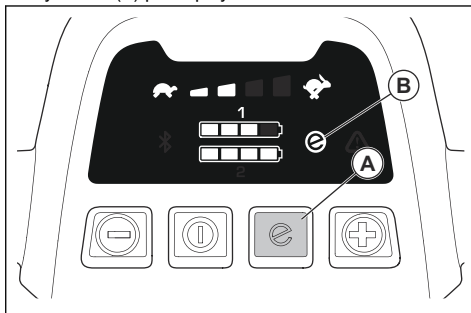


- Slip bøjlen til fremtrækket for at frakoble det, f.eks. når du nærmer dig en forhindring.

Sådan bruges -funktionen

Produktet har en batterisparefunktion (e), der giver længere driftstid.

1. Tryk på -knappen (A) for at starte funktionen. -symbolet (B) på displayet tændes.
2. Tryk på knappen igen for at standse funktionen. -symbolet (B) på displayet slukkes.



-funktionen standser automatisk, hvis terrænforholdene gør det nødvendigt at have en højere effekt. -funktionen starter automatisk igen, når terrænforholdene gør det muligt.

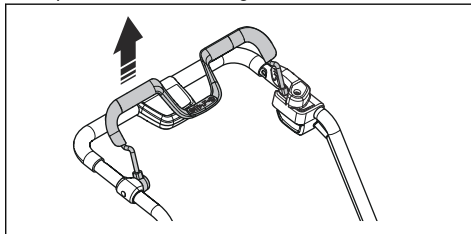
Høj belastningsfunktion

Når produktet klipper langt eller vådt græs, øger motoren automatisk o/min. Motoren skifter tilbage til standardtilstand, når høj belastning ikke er nødvendig.

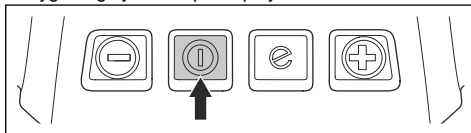
Sådan standses produktet

Produktet standser automatisk, hvis du ikke betjener det i 10 minutter. Drej altid sikkerhedsnøglen til 0, før du efterlader produktet uden opsyn.

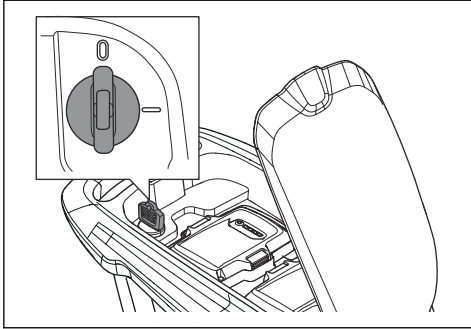
1. Slip motorbremsehåndtaget for at standse motoren.



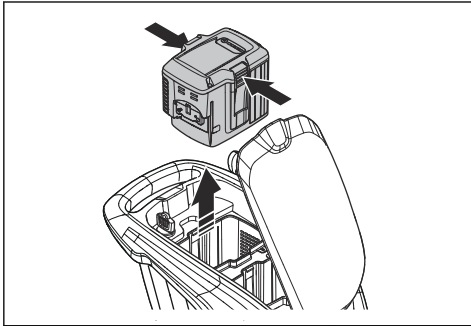
2. Skub ON/OFF-knappen på kontrolpanelet. Alle LED-lygter og symboler på displayet slukkes.



3. Åbn batterilåget, og drej sikkerhedsnøglen til 0.



4. Fjern batteriet ved at trykke på de 2 udløserknapper og trække batteriet ud.



5. Oplad batteriet, hvis det er svagt. Se *Sådan oplades batteriet på side 95* for at få flere oplysninger.

Sådan opnår du et godt resultat

- Sørg altid for, at klingen er skarp. En sløv klinge giver et uregelmæssigt resultat, og græssets snitflade bliver gul. En skarp klinge bruger desuden mindre energi end en sløv klinge.
- Klip aldrig mere end $\frac{1}{2}$ af græssets længde. Klip først med klippehøjden indstillet højt. Efterse resultatet, og sænk derefter klippehøjden til det ønskede niveau. Hvis græsset er meget højt, skal du køre langsomt og om nødvendigt klippe 2 gange.
- Klip i forskellige retninger hver gang for at undgå striber i græsplænen.

Sådan klippes græs uden en monteret græsopsamler eller bioklipprop

- Løft det bageste dæksel, og fjern græsopsamleren.
- Hvis der er monteret en bioklipprop og en findelingsklinge, skal de fjernes.
- Luk det bageste dæksel, før du betjener produktet.

Når du betjener produktet, udkastes det afskårne græs under det bageste dæksel.

Vedligeholdelse

Indledning



ADVARSEL: Inden der foretages vedligeholdelse, skal du læse og forstå kapitlet om sikkerhed.

Alt service- og reparationsarbejde på produktet kræver specialuddannelse. Vi garanterer faglig korrekt reparation og service. Hvis forhandleren ikke er et serviceværksted, kan vedkommende oplyse om nærmeste serviceværksted.

Vedligeholdelsesskema

Vedligeholdelsesintervallerne er fastlagt baseret på daglig brug af produktet. Intervallerne ændres, hvis produktet ikke bruges dagligt.

For vedligeholdelse identificeret med * henvises til vejledningen i *Sikkerhedsinstruktioner for drift på side 87*.

	Hver brug	Månedligt	Hver sæson
Foretag et generelt eftersyn	X		
Rengør produktet	X		
Kontrollér startspærren *	X		
Sørg for, at sikkerhedsanordningerne på produktet ikke er defekte *	X		
Efterse skæreudstyret	X		

	Hver brug	Månedligt	Hver sæson
Efterse klippeskjoldet *	X		
Kontrollér motorbremsehåndtaget *	X		
Sørg for, at ON/OFF-knappen fungerer korrekt og ikke er defekt	X		
Efterse batteriet for skader	X		
Kontrollér batteriopladeren	X		
Sørg for, at udløserknapperne på batteriet fungerer korrekt, og at batteriet låses på plads i produktet	X		
Efterse batteriopladeren for skader, og sørg for, at den fungerer korrekt.		X	
Efterse forbindelserne mellem batteriet og produktet. Efterse også forbindelsen mellem batteriet og batteriopladeren.			X

Sådan udføres et generelt eftersyn

- Sørg for, at møtrikker og skruer på produktet er spændt.
- Sørg for, at ledningerne på produktet ikke er placeret på en måde, så de kan blive beskadiget.

Sådan rengøres produktet

- Rengør plasticdele med en ren og tør klud.
- Brug ikke vand til rengøring af produktet. Vand kan trænge ind i batteriet eller motoren og forårsage kortslutning eller beskadigelse af produktet.
- Brug ikke en højtryksrensner til at rengøre produktet.
- Sprøjt aldrig vand direkte på motoren.
- Brug en børste til at fjerne blade, græs og snavs.

Sådan rengøres batteriet og batteriopladeren



BEMÆRK: Batteriet eller batteriopladeren må aldrig rengøres med vand.

- Sørg for, at batteriet og opladeren er rene og tørre, før du sætter batteriet i batteriopladeren.
- Rengør batteriets poler med trykluft eller med en blød og tør klud.
- Rens overfladerne på batteriet og batteriopladeren med en blød og tør klud.

Sådan efterses skæreudstyret



ADVARSEL: For at undgå utilsigtet start, skal du dreje sikkerhedsnøglen til 0, fjerne batteriet og vente i mindst 5 sekunder.



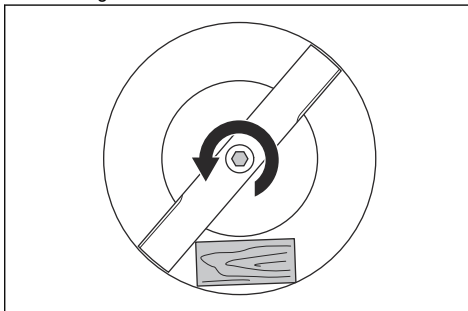
ADVARSEL: Brug handsker, når du udfører vedligeholdelse på skæreudstyret. Klingens er meget skarp, og du kan nemt komme til at skære dig.

1. Efterse skæreudstyret for skader eller revner. Udskift altid skæreudstyret, hvis det er beskadiget.
2. Kig på klingens for at se, om den er beskadiget eller sløv.

Bemærk: Kniven skal afbalanceres, efter den er blevet slebet. Lad et servicecenter skærpe, udskift og afbalancere klingens. Hvis du rammer en forhindring, der får produktet til at standse, udskiftes den beskadigede klinge. Lad servicecenteret vurdere, om klingens kan files, eller om den skal udskiftes.

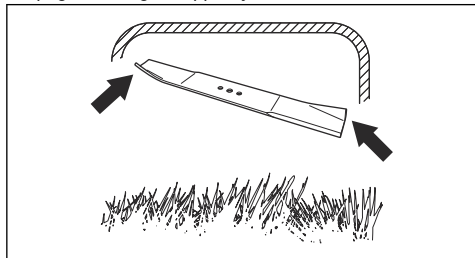
Sådan fjernes og udskiftes klingens

1. Lås klingens med en trækloids.

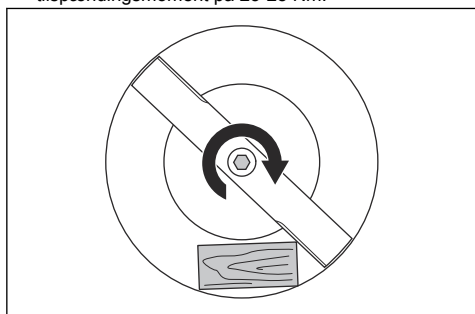


2. Fjern klingeboltens.
3. Afmonter klingens.
4. Efterse klingeophæng og klingebolt for at se, om der er skader.
5. Efterse motorakslens for at sikre, at den ikke er bøjet.

6. Når du sætter den nye kling på, skal klingens ender pege i retning af klippeskjoldet.



7. Sørg for, at klingens flugter med motorakslens centrum.
8. Lås klingens med en trækloids. Monter fjederskiven, og spænd boltens og skiven med et tilspændingsmoment på 23-28 Nm.



9. Træk klingens rundt pr. håndkraft, og kontrollér, at den drejer frit.



ADVARSEL: Brug sikkerhedshandsker. Klingens er meget skarp, og du kan nemt komme til at skære dig.

10. Start produktet for at afprøve klingens. Hvis skiven ikke er korrekt fastgjort, forekommer der vibrationer i produkt, eller klipperesultatet bliver utilfredsstillende.

Fejlfinding

Batteri

LED på batteriet	Mulige fejl	Mulig procedure
Den grønne LED blinker	Batterispændingen er lav	Oplad batteriet. Se <i>Sådan oplades batteriet på side 95</i> .
Fejl-LED'en blinker	Batteriet er svagt	Oplad batteriet. Se <i>Batteri på side 99</i> .
	Temperaturen i arbejdsmiljøet er for høj eller for lav	Brug batteriet i temperaturer mellem -10 °C og 40 °C.
	Overspænding	Kontrollér, at netspændingen er den samme som på typeskiltet på produktet. Fjern batteriet fra batteriopladeren. Vent 5 sekunder, og prøv igen for at oplade batteriet. Hvis problemet fortsætter, skal du kontakte et autoriseret serviceværksted.
Fejl-LED'en er tændt	Celleforskel for stor (1 V)	Kontakt et godkendt serviceværksted.

Batterioplader

LED på batteriopladeren.	Mulige fejl	Mulig procedure
Fejl-LED'en blinker	Temperaturen i arbejdsmiljøet er for høj eller for lav	Brug batteriopladeren i temperaturer mellem 5 °C og 40 °C.
Fejl-LED'en er tændt		Kontakt et godkendt serviceværksted

Betjeningspanel

Tastatur	Fejlkode (antal blink)	Mulige fejl	Mulig løsning
Fejl-LED blinker	3	Motoren er overbelastet	Øg klippehøjden. Se <i>Sådan indstilles klippehøjden på side 94.</i>
	5	Motoromdrejningstallet falder for meget, og motoren standser	
	10	Kontrolenheden til motoren er for varm	Stand motoren, og vent, indtil den er blevet kold
	2	Klingen er blokeret	For at undgå utilsigtet start, skal du dreje sikkerhedsnøglen til 0, fjerne batteriet og vente i mindst 5 sekunder. Kontrollér, at klingen kan rotere frit. Hvis problemet fortsætter, skal du kontakte et autoriseret serviceværksted
	9	Batterifejl eller intet signal fra batteri	Isæt batteriet korrekt i produktet, og efterse batteristikket. Hvis fejl-LED'en på batteriet blinker. Se <i>Batteri på side 94.</i>
Produktet standser	8	Batteriet er svagt	Oplad batteriet. Se <i>Sådan oplades batteriet på side 95.</i>
	0	Fejl ved batteristik	Efterse batteristicket
Andre fejl	Hvis der opstår andre fejl, skal du dreje tændingsnøglen til 0, afmontere batteriet og kontakte et godkendt serviceværksted.		

Transport, opbevaring og bortskaffelse

Indledning

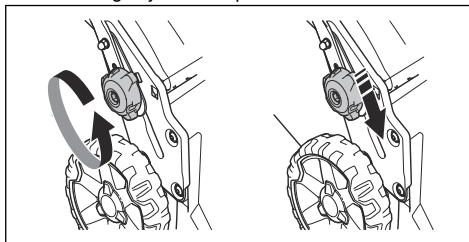


ADVARSEL: For at undgå utilsigtet start under transport, skal du dreje sikkerhedsnøglen til 0, fjerne batteriet og vente i mindst 5 sekunder.

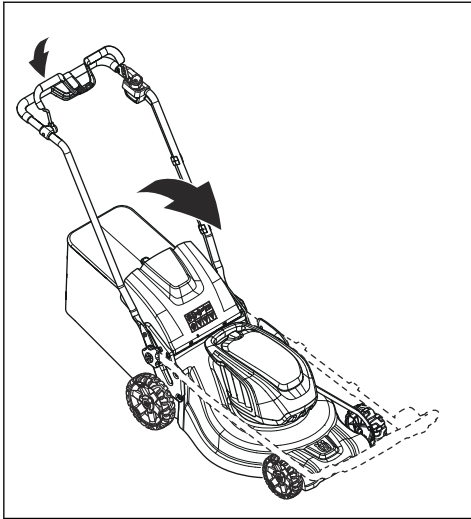
Sådan sættes produktet i transportposition

1. Løsn de nederste skruerhåndtag.

2. Flyt grebene til den nederste ende af rillerne på venstre og højre side af produktet.



3. Fold håndtaget fremad.



4. Fjern græsopsamleren.

Transport

- Lovkravene om farligt gods gælder for de indeholdte li-ion-batterier.
- Ved kommerciel transport skal særlige krav vedrørende emballering og mærkning overholdes.
- Sørg for at overholde bestemmelserne for farligt materiale, når du klargør produktet til transport. Lokale bestemmelser kan være gældende.
- Fjern altid batteriet ved transport.
- Sæt tape på batteristikkene, og sørg for, at batteriet ikke kan rykke sig under transporten.
- Fastspænd produktet under transport.

Opbevaring

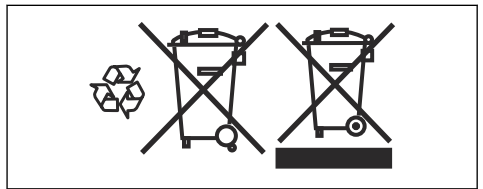
- Fjern altid batteriet ved opbevaring.
- For at forhindre ulykker, skal du sørge for, at batteriet ikke er tilsluttet produktet under opbevaring.

- Opbevar batteriopladeren et lukket og tørt sted.
- Opbevar batteriet og batteriopladeren et tørt sted, hvor der ikke er fugt eller frost.
- Afbryd forbindelsen mellem batteriet og batteriopladeren under opbevaring.
- Batteriet må ikke opbevares, hvor der kan forekomme statisk elektricitet. Opbevar ikke batteriet i en metalkasse.
- Opbevar batteriet ved temperaturer mellem 5 °C og 25 °C og væk fra sollys.
- Opbevar batteriopladerne ved temperaturer mellem 5 °C og 45°C og væk fra sollys.
- Sørg for, at batteriet er ladet op til 30 % - 50 %, før du sætter det til opbevaring i længere tid.
- Opbevar produktet, batteriet og batteriopladeren et låst sted, der er utilgængeligt for børn og ikke-godkendte personer.
- Rengør produktet, og udfør fuld service, før du sætter produktet til opbevaring i længere tid.

Bortskaffelse

Symbolerne på produktet eller emballagen angiver, at produktet ikke må behandles som almindeligt husholdningsaffald. Det skal afleveres til en passende genbrugsstation med henblik på genvinding af elektrisk og elektronisk udstyr.

Hvis du sørger for, at dette produkt håndteres korrekt, kan du være med til at modvirke potentielle negative indvirkninger på mennesker og miljø, som ellers kan være et resultat af fejlagtig affaldshåndtering i forbindelse med dette produkt. Nærmere oplysninger om genanvendelse af dette produkt fås hos kommunen, det lokale renovationselskab eller forretningen, hvor produktet er købt.



Tekniske data

Tekniske data

	LC 247IX/LC 247I	LC 347IVX/LC 347IV	LC 353IVX/LC 353IV
Klippemotor			
Motorstype	BLDC (børsteløs) 36 V	BLDC (børsteløs) 36 V	BLDC (børsteløs) 36 V
Motoromdrejningstal - SavE, o/min.	2600	2600	2600
Motoromdrejningstal - nominelt, o/min.	3000	3000	3000
Motoromdrejningstal - høj belastning, o/min.	3500	3500	3500

	LC 247IX/LC 247I	LC 347IVX/LC 347IV	LC 353iVX/LC 353iV
Motoreffekt - maks. kW	0,96	0,96	1,05
Motoreffekt - nominel, kW	0,75	0,75	0,9
Køremotor			
Motoreffekt - nominel, kW	N/A	0,25	0,25
Selvkørende hastighed, km/t	N/A	3,0-4,5	3,0-4,5
Justering af hastighedsniveauer	N/A	4	4
Vægt			
Vægt uden batteri, kg	24	26	28
Batteri			
Batteritype	Husqvarna Batterise- rie	Husqvarna Batterise- rie	Husqvarna Batterise- rie
Batteriets driftstid			
Batteriets driftstid, min. (friløb) med SavE ak- tiveret, med et 5,2 Ah Husqvarna-batteri (Bli200).	43	43	32
Batteriets driftstid, min. (friløb) med standard- tilstand aktiveret, med et 5,2 Ah Husqvarna- batteri (Bli200).	30	30	20
Støjemissioner ¹⁰			
Lydeffektniveau, målt dB (A)	94	94	97
Lydeffektniveau, garanteret L _{WA} dB (A)	95	95	98
Lydniveauer ¹¹			
Lydtryksniveau ved brugerens øre, dB (A)	82	82	86
Vibrationsniveauer ¹²			
Styr, m/s ²	0,42	0,42	2,64
Skæredstyr			
Klippehøjde, mm	20-75 mm	20-75 mm	20-75 mm
Klippebredde, cm	47	47	53
Klingestandard	Opsamling 5905934-10	Opsamling 5905934-10	Opsamling 5940757-10
Klingetilbehør	Findeling 5907010-10	Findeling 5907010-10	Findeling 5950072-10
Græsopsamlerens kapacitet, liter	55	55	60

¹⁰ Emission af støj til omgivelserne målt som lydeffekt (L_{WA}) i henhold til EF-direktiv 2000/14/EF.

¹¹ Rapporerede data for lydtryksniveau har en typisk statistisk spredning (standardafvigelse) på 1,2 dB (A).

¹² Rapporerede data for vibrationsniveau har en typisk statistisk spredning (standardafvigelse) på 0,2 m/s². Vi-
brationstandard EN 60335-2-77:2017 kapitel 20.105

Radiofrekvensdata for Bluetooth®	LC 247IX	LC 347IVX	LC 353IVX
Frekvensbåndet, GHz	2,4-2,4835	2,4-2,4835	2,4-2,4835
Udgangseffekt, maks. dBm	4	4	4

Godkendte batterier	Type	Batterikapacitet, Ah	Spænding, V	Vægt, lb/kg
BLi20	Lithiumion	4,0	36	2.6/1.2
BLi30	Litiumion	7,7	36	4.2/1.9
BLi200	Lithiumion	5,2	36	2.8/1.3
BLi300	Litiumion	9,4	36	4,1/1,9

Godkendte opladere til de angivne batterier, BLi	Indgangsspænding, V	Frekvens, Hz	Effekt, watt
QC80	100-240	50-60	80
QC80F	12	0	80
QC250	100-240	50-60	250
QC330	100-240	50-60	330
QC500	100-240	50-60	500

EU-overensstemmelseserklæring

EU-overensstemmelseserklæring

Husqvarna AB, SE-561 82 Huskvarna, Sverige, tlf.: +46-36-146500 erklærer, at **plæneklipperen Husqvarna LC 247i, LC 247iX, LC 347iV, LC 347iVX, LC 353iV, LC 353iVX** fra 2018 og fremefter overholder forskrifterne i RÅDETS DIREKTIV:

- af den 8. juni 2011 angående "begrænsning af anvendelsen af visse farlige stoffer" **2011/65/EU**
- af den 17. maj 2006 "angående maskiner" **2006/42/EF**
- af den 8. maj 2000 "angående emission af støj til omgivelserne" **2000/14/EF**

Vedr. oplysninger om støjafgivelse: Se *Tekniske data på side 101*.

Der er anvendt følgende standarder:

EN/IEC 60335-1, EN/IEC 60335-2-77, EN/IEC 62233, EN 55014-1, EN ETSI 301 489-7 v1.3.1, EN 61000-6,

ETSI EN 61000-6-1, EN 300 328 BT low energy Tx/Rx, EN 50581

Hvis ikke andet er angivet, er de ovennævnte standarder de senest udgivne versioner.

Udpeget organ: **0404, RISE SMP Svensk Maskinprovning AB, Box 7035, SE-750 07 Uppsala** Har udført overensstemmelsesvurdering i henhold til Bilag VI i direktiv 2000/14/EF.

Huskvarna, 2020-04-22



Claes Losdal, udviklingschef/haveprodukter (autoriseret repræsentant for Husqvarna AB og ansvarlig for teknisk dokumentation)

Registrerede varemærker

Bluetooth®-navnet og -logoerne er registrerede varemærker tilhørende *Bluetooth SIG, inc.*, og al Husqvarnas brug deraf sker på licens.

Inhalt

Einleitung.....	105	Fehlerbehebung.....	126
Sicherheit.....	109	Transport, Lagerung und Entsorgung.....	127
Montage.....	118	Technische Angaben.....	128
Betrieb.....	119	EU-Konformitätserklärung.....	131
Wartung.....	124	EINGETRAGENE MARKEN.....	131

Einleitung

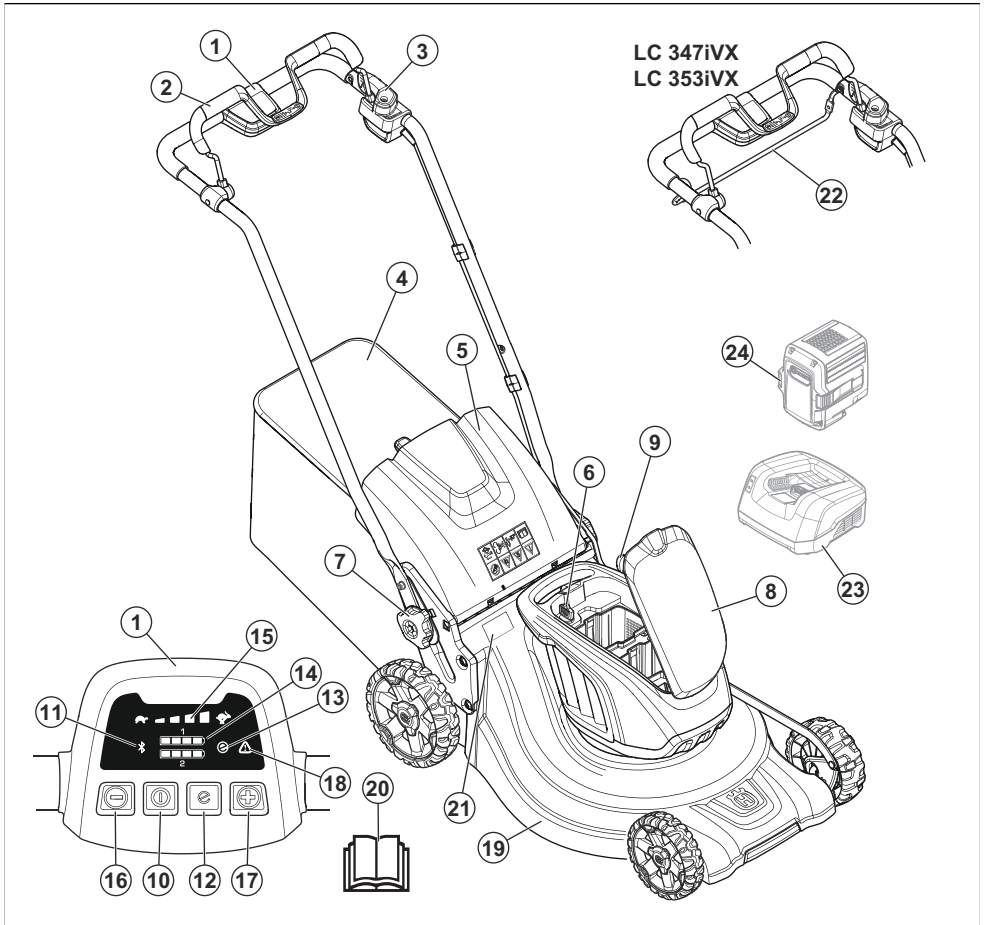
Produktbeschreibung

Das Produkt ist ein handgeführter Rasenmäher. Das Gras wird in einem Grasfänger gesammelt. Entfernen Sie den Grasfänger, um an den Heckauswurf des Grases zu gelangen. Befestigen Sie ein Mulch-Kit (Zubehör), um das Gras in Dünger zu schneiden.

Verwendungszweck

Verwenden Sie das Gerät zum Schneiden von Gras.
Verwenden Sie das Gerät nicht für andere Aufgaben.

Produktübersicht



- | | |
|--|--|
| 1. Bedienfeld | 15. Geschwindigkeitsanzeige (LC 347iV, LC 347iVX, LC 353iV, LC 353iVX) |
| 2. Motorbremsbügel | 16. Taste Drehzahl verringern (LC 347iV, LC 347iVX, LC 353iV, LC 353iVX) |
| 3. Startsperr | 17. Taste Drehzahl erhöhen (LC 347iV, LC 347iVX, LC 353iV, LC 353iVX) |
| 4. Grasfänger | 18. Störungs-LED |
| 5. Heckklappe | 19. Schneidwerkabdeckung |
| 6. Sicherheitsschlüssel | 20. Bedienungsanleitung |
| 7. Griffknopf | 21. Typenschild |
| 8. Akkuabdeckung | 22. Antriebsgriff (LC 347iV, LC 347iVX, LC 353iV, LC 353iVX) |
| 9. Schnitthöhenregelung | 23. Ladegerät (Zubehör) |
| 10. EIN-/AUS-Schalter | 24. Akku (Zubehör) |
| 11. Anzeige für Bluetooth® Drahtlostechnologie | |
| 12. SavE-Taste (Energiespartaste) | |
| 13. SavE-Anzeige | |
| 14. Akkuanzeige | |

Symbole auf dem Gerät



WARNUNG! Gehen Sie vorsichtig vor, und verwenden Sie das Gerät ordnungsgemäß. Dieses Gerät kann schwere oder tödliche Verletzungen des Bedieners oder anderer Personen verursachen.



Lesen Sie die Bedienungsanleitung sorgfältig durch, und machen Sie sich vor der Verwendung des Geräts mit ihrem Inhalt vertraut.



Andere Personen oder Tiere müssen sich in sicherem Abstand vom Arbeitsbereich befinden.



Achten Sie auf hochgeschleuderte und abfallende Gegenstände.



Warnung: Halten Sie Hände und Füße von

der rotierenden Klinge fern.



Warnung: Halten Sie Hände und Füße von rotierenden Teilen fern.



Ziehen Sie vor Reparatur- und Wartungsarbeiten den Sicherheitsschlüssel ab.



Verwenden Sie das Gerät nicht bei Regen.



Das Gerät und die Verpackung des Geräts dürfen nicht über den Hausmüll entsorgt werden. Recyceln Sie es an einer Recyclingstation für elektrische und elektronische Geräte.



Dieses Gerät stimmt mit den geltenden EC-Richtlinien überein.



Dieses Gerät stimmt mit den geltenden Richtlinien der eurasischen Zollunion überein.



Dieses Gerät stimmt mit den geltenden UkrSEPRO-Richtlinien überein.



Dieses Gerät stimmt mit den geltenden RCM-Richtlinien überein. Dies gilt nur für AU/NZ.



Umweltbelastende Geräuschemissionen gemäß der entsprechenden EG-Richtlinie 2000/14/EG und der australischen „Protection of the Environment Operations (Noise Control) Regulation 2017“ (Umweltschutz-/Lärmschutzbestimmung) von New South Wales. Daten zu Geräuschemissionen sind auf dem Geräteschild und im Abschnitt „Technische Daten“ angegeben.

IPX1 Das Gerät ist tropfgeschützt.



Startvorgang: Drücken Sie den ON/OFF-Taste, lösen Sie die Wegfahrsperrung, und drücken Sie den Motorbremsbügel nach unten.



Lassen Sie den Motorbremsbügel bis zum Stopp los.



Langsam



Schnell



Scanbarer Code

Hinweis: Sonstige Symbole/ Aufkleber auf dem Gerät beziehen sich auf Zertifizierungsanforderungen, die in einigen Märkten gelten.

Etikett auf dem Gerät



Halten Sie Hände und Füße von den rotierenden Rasenmäherklingen fern.

Produkthaftung

Im Sinne der Produkthaftungsgesetze übernehmen wir keine Haftung für Schäden, die unser Gerät verursacht, wenn...

- das Gerät nicht ordnungsgemäß repariert wird.
- das Gerät mit Teilen repariert wird, die nicht vom Hersteller stammen oder nicht vom Hersteller zugelassen sind.

- ein Zubehörteil mit dem Gerät verwendet wird, das nicht vom Hersteller stammt oder nicht vom Hersteller zugelassen ist.
- das Gerät nicht bei einem zugelassenen Service Center oder von einem zugelassenen Fachmann repariert wird.

Sicherheit

Sicherheitsdefinitionen

Warnungen, Vorsichtsmaßnahmen und Hinweise werden verwendet, um auf besonders wichtige Teile der Bedienungsanleitung hinzuweisen.



WARNUNG: Wird verwendet, wenn bei Nichtbeachtung der Anweisungen in diesem Handbuch die Gefahr von Verletzung oder Tod des Bedieners oder anderer Personen besteht.



ACHTUNG: Wird verwendet, wenn bei Nichtbeachtung der Anweisungen in diesem Handbuch die Gefahr von Schäden am Gerät, an anderen Materialien oder in der Umgebung besteht.

Hinweis: Für weitere Informationen, die in bestimmten Situationen nötig sind.

Allgemeine Sicherheitshinweise



WARNUNG: Lesen Sie die folgenden Warnhinweise, bevor Sie das Gerät benutzen.

- Dieses Gerät ist gefährlich, wenn es falsch bedient wird oder Sie unvorsichtig sind. Wenn die Sicherheitshinweise nicht befolgt werden, kann dies zu Verletzungen oder zum Tod führen.
- Dieses Gerät erzeugt beim Betrieb ein elektromagnetisches Feld. Dieses Feld kann sich unter bestimmten Bedingungen auf die Funktionsweise aktiver oder passiver medizinischer Implantate auswirken. Um die Gefahr von Situationen, die zu

schweren oder tödlichen Verletzungen führen können, zu reduzieren, sollten Personen mit einem medizinischen Implantat vor der Nutzung dieses Geräts ihren Arzt und den Hersteller des Implantats konsultieren.

- Lassen Sie immer Vorsicht walten, und arbeiten Sie mit gesundem Menschenverstand. Wenn Sie sich nicht sicher sind, wie das Gerät in einer bestimmten Situation zu bedienen ist, unterbrechen Sie die Arbeit und wenden sich an Ihren Husqvarna-Händler, bevor Sie fortfahren.
- Denken Sie daran, dass der Bediener für Unfälle mit anderen Personen oder deren Eigentum verantwortlich ist.
- Halten Sie das Gerät sauber. Stellen Sie sicher, dass Symbole und Aufkleber deutlich lesbar sind.
- Verhindern Sie, dass Kinder oder Personen, die mit den Anweisungen nicht vertraut sind, das Gerät benutzen. Unter Umständen gelten gesetzlich vorgeschriebene Altersbeschränkungen für den Bediener
- Stellen Sie sicher, dass Personen mit verminderter

physischer oder psychischer Leistungsfähigkeit dieses Gerät nicht unbeobachtet verwenden. Es muss immer ein verantwortlicher Erwachsener anwesend sein.

- Verwenden Sie das Gerät nicht, wenn Sie müde oder krank sind oder unter Einfluss von Alkohol, Drogen oder Medikamenten stehen. Dies wirkt sich negativ auf Ihre Sehkraft, Ihre Aufmerksamkeit sowie Ihr Koordinations- und Urteilsvermögen aus.
- Verwenden Sie das Gerät nicht, wenn es defekt ist.
- Verändern oder verwenden Sie dieses Gerät nicht, wenn die Möglichkeit besteht, dass andere es verändert haben.

Sicherheit im Arbeitsbereich



WARNUNG: Lesen Sie die folgenden Warnhinweise, bevor Sie das Gerät benutzen.

- Entfernen Sie Gegenstände wie Äste, Zweige und Steine aus dem Arbeitsbereich, bevor Sie das Produkt verwenden.
- Gegenstände, die auf die Schneid-ausrüstung treffen, können herausgeschleudert werden und Personen und

Gegenständen Schaden zufügen. Halten Sie andere Personen und Tiere in einem sicheren Abstand zum Produkt.

- Benutzen Sie das Gerät niemals bei schlechtem Wetter wie Nebel, Regen, starkem Wind, intensiver Kälte und bei der Gefahr eines Blitzeinschlags. Die Verwendung des Geräts bei schlechtem Wetter oder an feuchten oder nassen Stellen ist anstrengend. Schlechtes Wetter kann gefährliche Zustände wie rutschige Oberflächen verursachen.
- Achten Sie auf Personen, Gegenstände und Situationen, die einen sicheren Betrieb des Geräts verhindern könnten.
- Achten Sie auf Hindernisse wie Wurzeln, Steine, Zweige, Löcher und Gräben. Langes Gras kann Hindernisse verdecken.
- Das Mähen von Gras an Steigungen kann gefährlich sein. Mähen Sie nicht an übermäßig steilen Hängen. Verwenden Sie das Gerät nicht in einem Gelände mit einer Neigung von mehr als 15°

- Bei Richtungswechseln auf abschüssigem Gelände ist äußerste Vorsicht geboten. Betreiben Sie das Gerät quer zum Hang. Bewegen Sie sich nicht nach oben und nach unten.
- Seien Sie vorsichtig, wenn Sie um versteckte Ecken oder Objekte herum fahren, die Ihre freie Sicht verhindern.

Arbeitssicherheit



WARNUNG: Lesen Sie die folgenden Warnhinweise, bevor Sie das Gerät benutzen.

- Verwenden Sie dieses Produkt nur zum Mähen von Rasenflächen. Es ist nicht erlaubt, das Produkt für andere Aufgaben zu verwenden.
- Benutzen Sie eine persönliche Schutzausrüstung. Siehe *Persönliche Schutzausrüstung auf Seite 113*.
- Stellen Sie sicher, dass Sie wissen, wie der Motor in einem Notfall schnell gestoppt werden kann.
- Verwenden Sie das Produkt nicht im Regen oder in feuchter Umgebung. Das Risiko eines elektrischen

- Schlags wird erhöht, wenn Wasser in das Gerät eindringt.
- Starten Sie das Produkt nicht, bevor die Klinge und alle Abdeckungen korrekt befestigt sind. Eine falsch befestigte Klinge kann sich lösen und Personenschaden verursachen.
 - Stellen Sie sicher, dass die Klinge nicht auf Gegenstände wie Steine und Wurzeln trifft. Dies kann die Klinge beschädigen und die Motorwelle verbiegen. Eine verbogene Achse führt zu starken Vibrationen und birgt ein hohes Risiko, dass die Klinge sich löst.
 - Wenn die Klinge auf ein Objektiv trifft oder Vibrationen auftreten, müssen Sie das Produkt sofort abstellen. Stoppen Sie den Motor, drehen Sie den Sicherheitsschlüssel auf 0 und nehmen Sie den Akku heraus. Untersuchen Sie das Produkt auf beschädigte Teile. Reparieren Sie Schäden oder lassen Sie einen autorisierten Kundendienst die Reparatur durchführen.
 - Befestigen Sie den Motorbremsbügel niemals fest am Griff, wenn der Motor läuft.
 - Stellen Sie das Produkt auf eine stabile, flache Oberfläche und starten Sie es. Stellen Sie sicher, dass die Klinge nicht den Boden oder ein anderes Objekt berührt.
 - Bleiben Sie immer hinter dem Produkt, wenn Sie es betreiben.
 - Lassen Sie alle Räder auf dem Boden bleiben und halten Sie den Griff mit 2 Händen, wenn Sie das Produkt betreiben. Halten Sie Hände und Füße von den rotierenden Rasenmäherklingen fern.
 - Kippen Sie das Produkt nicht, wenn der Motor läuft.
 - Seien Sie vorsichtig, wenn Sie das Produkt nach hinten ziehen.
 - Heben Sie das Produkt nicht hoch, wenn der Motor läuft. Wenn Sie das Produkt anheben müssen, stoppen Sie zuerst den Motor, drehen Sie den Sicherheitsschlüssel auf 0 und nehmen Sie den Akku heraus.
 - Gehen Sie nicht rückwärts, wenn Sie das Produkt betreiben.
 - Stellen Sie den Motor ab, wenn Sie sich über Bereiche ohne Gras bewegen, zum

- Beispiel Wege aus Kies, Stein und Asphalt.
- Rennen Sie nicht mit dem Produkt, wenn der Motor läuft. Gehen Sie immer, wenn Sie das Produkt benutzen.
 - Stellen Sie den Motor ab, bevor Sie die Schnitthöhe verändern. Verändern Sie die Einstellungen niemals, wenn der Motor läuft.
 - Lassen Sie das Produkt niemals aus den Augen, wenn der Motor läuft. Stellen Sie den Motor ab und stellen Sie sicher, dass sich die Schneidausrüstung nicht dreht.

Sicherheitshinweise für den Betrieb

Persönliche Schutzausrüstung



WARNUNG: Lesen Sie die folgenden Warnhinweise, bevor Sie das Gerät benutzen.

-
- Die persönliche Schutzausrüstung kann Verletzungen nicht vollständig vermeiden, vermindert aber den Umfang der Verletzungen und Schäden bei einem Unfall. Lassen Sie sich von Ihrem Händler bei der Auswahl der richtigen Ausrüstung unterstützen.

- Tragen Sie rutschfeste Sicherheitsstiefel oder -schuhe. Verwenden Sie keine offenen Schuhe, und gehen Sie nicht barfuß.
- Tragen Sie schwere, lange Hosen.
- Tragen Sie bei Bedarf Schutzhandschuhe, beispielsweise bei der Montage, der Untersuchung oder der Reinigung der Schneidausrüstung.

Sicherheitsvorrichtungen am Gerät



WARNUNG: Lesen Sie die folgenden Warnhinweise, bevor Sie das Gerät benutzen.

-
- Benutzen Sie kein Gerät mit defekten Sicherheitsvorrichtungen.
 - Führen Sie regelmäßig eine Überprüfung der Sicherheitsvorrichtungen durch. Wenn die Sicherheitsvorrichtungen defekt sind, wenden Sie sich an Ihre Husqvarna-Servicewerkstatt.

So überprüfen Sie den Schneidschutz

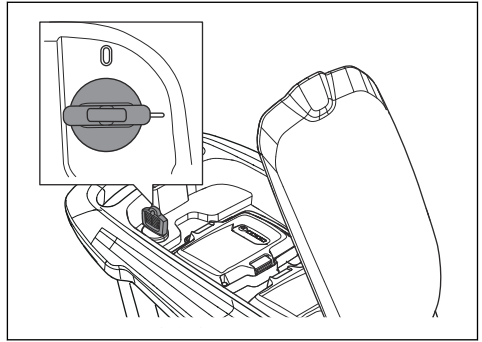
Der Schneidschutz verringert Vibrationen im Gerät und das Verletzungsrisiko durch die Klinge.

- Untersuchen Sie die Schneidwerkabdeckung, um sicherzustellen, dass es keine Beschädigungen wie zum Beispiel Risse gibt.

Sicherheitsschlüssel

Der Sicherheitsschlüssel befindet sich unter der Akkuabdeckung. Mit dem Sicherheitsschlüssel wird der Akku angeschlossen, der den Motor mit Strom versorgt.

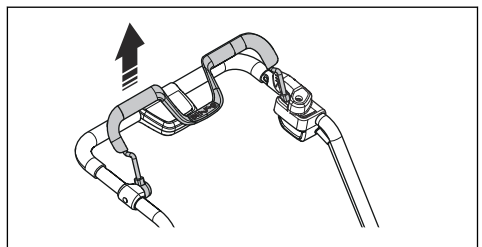
- Starten und stoppen Sie den Motor, um den Sicherheitsschlüssel zu kontrollieren.
- Wenn der Sicherheitsschlüssel ordnungsgemäß funktioniert, kann der Motor nur starten, wenn der Sicherheitsschlüssel auf Position „1“ steht.



Motorbremsbügel

Der Motorbremsbügel stoppt den Motor. Wenn der Motorbremsbügel losgelassen wird, stoppt der Motor.

Um eine Prüfung der Motorbremse durchzuführen, starten Sie den Motor und lassen dann den Motorbremsbügel los. Wenn der Motor nicht innerhalb von 3 Sekunden stoppt, lassen Sie die Motorbremse von einer autorisierten Husqvarna Servicewerkstatt einstellen.

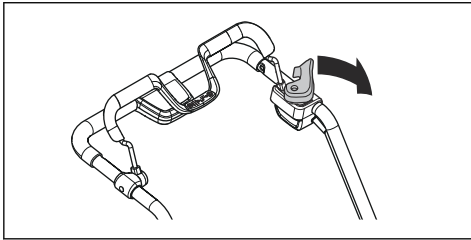


So überprüfen Sie die Startsperr

Führen Sie eine Prüfung der Startsperr durch, um

sicherzustellen, dass diese den Betrieb des Motors verhindert.

1. Drücken Sie den Motorbremsbügel in die Richtung des Lenkers. Die Startsperrung stoppt die Bewegung.
2. Drücken Sie die Startverzögerung heraus.



3. Lösen Sie die Startsperrung und stellen Sie sicher, dass sie sich zurück in die Ausgangsstellung bewegt.

Sicherer Umgang mit Akku



WARNUNG: Lesen Sie die folgenden Warnhinweise, bevor Sie das Gerät benutzen.

- Verwenden Sie die wiederaufladbare Batterie von Husqvarna nur als Stromversorgung für zugehörige Husqvarna-Produkte. Um Verletzungen zu vermeiden, verwenden Sie die Batterie nicht zur Energieversorgung anderer Geräte.
- Verwenden Sie keine nicht aufladbare Batterie.
- Es besteht die Gefahr von elektrischen Schlägen. Verbinden Sie die Batterieklemmen nicht mit Schlüsseln, Münzen, Schrauben oder anderen metallischen Gegenständen. Dadurch kann es zu einem Kurzschluss der Batterie kommen.
- Legen Sie keine Gegenstände in die Luftschlitze der Batterie.
- Halten Sie die Batterie von direkter Sonneneinstrahlung, Hitze oder offenem Feuer fern. Die Batterie kann explodieren und Verbrennungen und/oder chemische Verbrennungen verursachen.
- Halten Sie die Batterie von Regen und Feuchtigkeit fern.
- Halten Sie die Batterie von Mikrowellen und hohem Druck fern.
- Versuchen Sie nicht, die Batterie zu zerlegen oder aufzubrechen.
- Wenn aus der Batterie Flüssigkeit austritt, vermeiden Sie Haut- oder Augenkontakt mit dieser. Sollten Sie dennoch mit der Flüssigkeit in

Berührung gekommen sein, reinigen Sie den Bereich mit ausreichend Wasser und suchen Sie medizinische Hilfe auf.

- Der Akku darf nur bei Temperaturen zwischen -10 und 40 °C verwendet werden.
- Reinigen Sie weder den Akku noch das Ladegerät mit Wasser. Siehe *So reinigen Sie den Akku und das Ladegerät auf Seite 125*.
- Verwenden Sie keine fehlerhaften oder beschädigten Akkus.
- Lagern Sie Akkus getrennt von Metallgegenständen wie Nägeln, Münzen und Schmuck.

Sicherer Umgang mit dem Ladegerät



WARNUNG: Lesen Sie die folgenden Warnhinweise, bevor Sie das Gerät benutzen.

- Verwenden Sie die QC Ladegeräte nur zum Laden von Husqvarna Akkus.
- Stromschlag- oder Kurzschlussgefahr. Legen Sie keine Gegenstände in die Luftschlitze des Ladegeräts.

Das Ladegerät nicht zerlegen. Verbinden Sie die Anschlüsse des Ladegeräts nicht mit Metallgegenständen. Verwenden Sie eine geprüfte Netzsteckdose.

- Dieses Gerät erzeugt beim Betrieb ein elektromagnetisches Feld. Dieses Feld kann sich unter bestimmten Bedingungen auf die Funktionsweise aktiver oder passiver medizinischer Implantate auswirken. Um die Gefahr von Situationen, die zu schweren oder tödlichen Verletzungen führen können, auszuschließen, sollten Personen mit einem medizinischen Implantat vor der Nutzung dieses Gerätes ihren Arzt und den Hersteller des Implantats konsultieren.
- Prüfen Sie regelmäßig, dass das Netzkabel des Akkuladegeräts nicht beschädigt ist und dass keine Risse vorhanden sind.
- Heben Sie das Ladegerät nicht am Netzkabel an. Um das Ladegerät von der Steckdose zu trennen, ziehen Sie am Netzstecker. Ziehen Sie nicht am Netzkabel.
- Achten Sie darauf, dass Netzkabel und Verlängerungskabel nicht mit

Wasser, Öl oder scharfen Kanten in Berührung kommen. Achten Sie darauf, dass die Kabel nicht in Türen, Zäunen o. ä. eingeklemmt werden. Es besteht sonst die Gefahr, dass das Ladegerät unter Strom gestellt wird.

- Reinigen Sie das Ladegerät nicht mit Wasser.
- Das Akkuladegerät kann von Kindern ab 8 Jahren sowie von Personen mit eingeschränkten physischen, sensorischen oder psychischen Fähigkeiten bzw. Personen ohne jegliche Erfahrung oder Kenntnisse verwendet werden, wenn sie beaufsichtigt werden oder ihnen die sichere Verwendung des Ladegeräts ausführlich erklärt wurde und sie sich der Gefahren bewusst sind. Kinder dürfen nicht mit dem Ladegerät spielen. Die Reinigung und Wartung durch den Anwender darf nicht von Kindern ohne Aufsicht durchgeführt werden.
- Setzen Sie keine nicht wiederaufladbaren Akkus in das Ladegerät ein.
- Das Ladegerät darf nicht in der Nähe von entflammaren Materialien oder Materialien, die Korrosion verursachen

können, verwendet werden. Das Ladegerät darf nicht abgedeckt werden. Bei Rauchentwicklung oder Feuer muss der Stecker des Ladegeräts sofort aus der Steckdose gezogen werden.

- Verwenden Sie keine fehlerhaften oder beschädigten Ladegeräte.
- Laden Sie den Akku nur in geschlossenen Räumen an einem Ort mit guter Luftzirkulation und ohne direkte Sonneneinstrahlung. Auf keinen Fall Akkus in feuchter Umgebung laden.

Sicherheitshinweise für die Wartung



WARNUNG: Lesen Sie die folgenden Warnhinweise, bevor Sie das Gerät benutzen.

- Um ein unbeabsichtigtes Starten während der Wartung zu vermeiden, drehen Sie den Sicherheitsschlüssel auf 0 und nehmen Sie den Akku heraus. Warten Sie mindestens 5 Sekunden, bevor Sie mit der Wartung beginnen.
- Führen Sie die Wartungsarbeiten zur Erhöhung der Lebensdauer

des Produkts und Verringerung der Unfallgefahr ordnungsgemäß aus. Lassen Sie professionelle Reparaturen von einer zugelassenen Servicewerkstatt durchführen. Weitere Informationen erhalten Sie von Ihrer Servicewerkstatt.

- Führen Sie die Wartung nur gemäß dieser Betriebsanleitung durch. Größere Eingriffe sind von einer zugelassenen Servicewerkstatt auszuführen.
- Tragen Sie beim Umgang mit der Schneidausrüstung schwere Arbeitshandschuhe. Die Klinge ist sehr scharf und man schneidet sich sehr leicht.
- Halten Sie die Schnittkanten sauber und scharf für die beste und sicherste Leistung.

- Ihre Servicewerkstatt sollte das Gerät regelmäßig überprüfen und notwendige Einstellungen und Reparaturen vornehmen.
- Ersetzen Sie beschädigte, abgenutzte oder defekte Teile.
- Befolgen Sie die Anweisungen für das Auswechseln von Zubehörteilen. Verwenden Sie nur Zubehör vom Gerätehersteller.
- Wenn es nicht in Betrieb ist, bewahren Sie Produkt, Akku und Ladegerät getrennt an einem trockenen und abgeschlossenen Ort auf. Achten Sie darauf, dass Kinder und unbefugte Personen keinen Zugriff auf das Produkt, den Akku oder das Ladegerät haben.

Montage

Einleitung



WARNUNG: Lesen Sie das Kapitel über Sicherheit vor der Montage des Produkts.

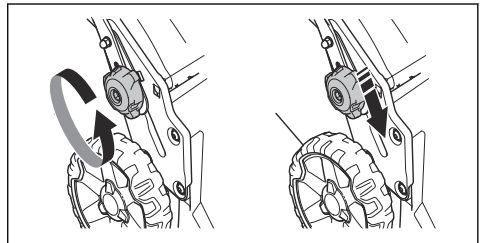


WARNUNG: Um ein unbeabsichtigtes Starten bei der Montage zu verhindern, drehen Sie den Sicherheitsschlüssel auf 0, entfernen Sie den Akku und warten Sie mindestens 5 Sekunden.

So stellen Sie den Handgriff ein

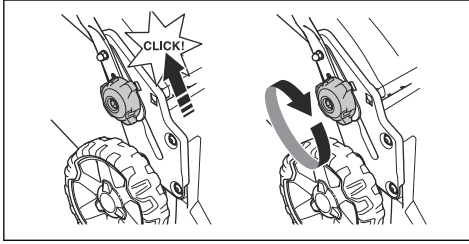
1. Lösen Sie die unteren Knöpfe.

2. Schieben Sie die Knöpfe zum unteren Ende der Nuten an der linken und rechten Seite des Geräts.



3. Stellen Sie die Höhe des Griffs in einer der 2 verfügbaren Positionen ein.

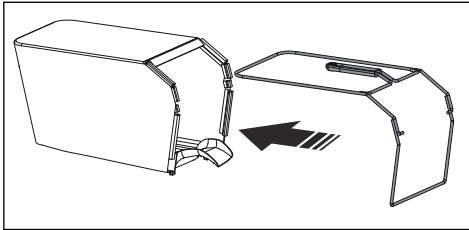
4. Bewegen Sie die Knöpfe nach oben in Richtung Griff, bis sie den Anschlag erreichen und ein Klicken zu hören ist.



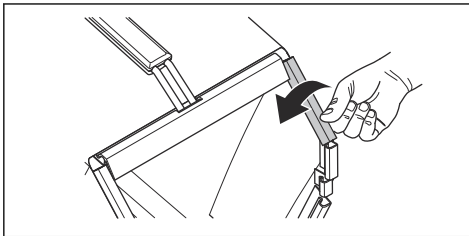
5. Ziehen Sie die Knöpfe vollständig fest.

So montieren Sie den Grasfänger

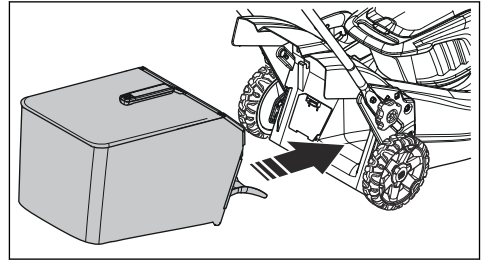
1. Befestigen Sie den Rahmen des Grasfängers am Fangbeutel, sodass der starre Teil des Beutels nach unten weist. Halten Sie den Griff des Rahmens am oberen Ende des Fangbeutels fest.



2. Setzen Sie den unteren Teil des Rahmens des Grasfängers in die Nut an der Unterseite des Grasfängers.
3. Befestigen Sie den Fangbeutel mit den Klemmen am Rahmen des Grasfängers.

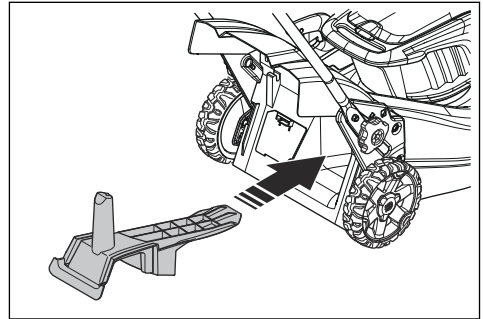


4. Heben Sie die hintere Abdeckung an.
5. Befestigen Sie den Grasfänger an der Oberkante des Chassis.
6. Setzen Sie den unteren Teil des Grasfängers in den Grasaustrittskanal.



Montage des Mulcheinsatzes (Zubehör)

1. Heben Sie die hintere Abdeckung an, und entfernen Sie den Grasfänger.
2. Setzen Sie den Mulcheinsatz in den Austrittskanal.



3. Ersetzen Sie die Klinge mit der Mulchklinge aus dem Mulchsatz. Siehe *So entfernen und tauschen Sie die Klinge auf Seite 125.*

Betrieb

Einleitung



WARNUNG: Vor dem Betrieb des Gerätes müssen Sie die Sicherheitsinformationen lesen und verstehen.

Husqvarna Connect

Husqvarna Connect ist eine kostenlose App für Ihr Mobilgerät. Die Husqvarna Connect App bietet erweiterte Funktionen für Ihr Gerät:

- Erweiterte Produktinformationen
- Informationen über Produktteile und -wartung sowie entsprechende Hilfe dazu.

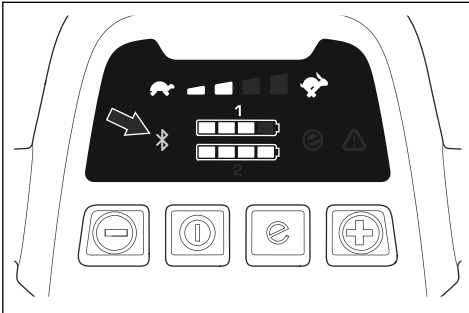
So verwenden Sie Husqvarna Connect

1. Laden Sie die Husqvarna Connect App auf Ihr Mobiltelefon.
2. Anmeldung bei der Husqvarna Connect App.
3. Befolgen Sie die Anweisungen in der Husqvarna Connect App, um sich zu verbinden und das Gerät zu registrieren.

Bluetooth®-Informationen (LC 247iX, LC 347iVX, LC 353iVX)

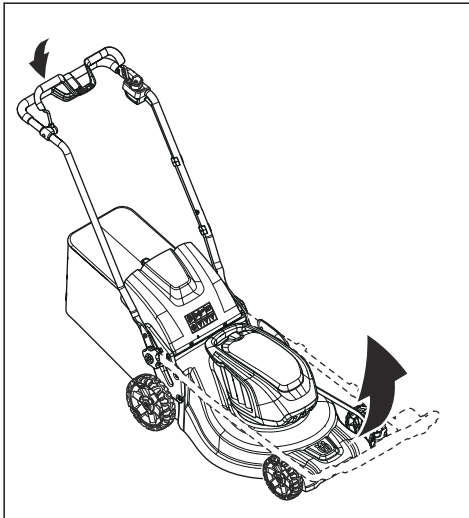
Bluetooth® Drahtlostechnologie

Das Symbol für *Bluetooth*® Drahtlostechnologie leuchtet auf, wenn Ihr Mobiltelefon mit dem Gerät verbunden ist.

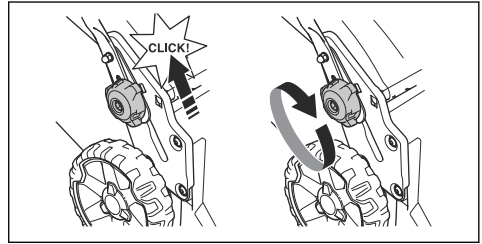


So bringen Sie das Gerät in die Betriebsposition

1. Klappen Sie den Griff nach oben.



2. Bewegen Sie die Flügelmuttern nach oben in Richtung Griff, bis Sie den Anschlag erreichen und ein Klicken hören.

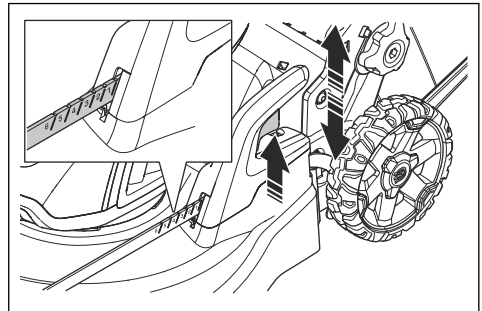


3. Ziehen Sie die Knöpfe vollständig fest.

So stellen Sie die Schnitthöhe ein

Die Schnitthöhe lässt sich in 6 Stufen einstellen.

1. Bewegen Sie den Schnitthöhenhebel nach unten, um die Schnitthöhe zu verringern.
2. Bewegen Sie den Schnitthöhenhebel nach oben, um die Schnitthöhe zu erhöhen.



ACHTUNG: Stellen Sie die Schnitthöhe nicht zu niedrig ein. Die Klingen können auf den Boden treffen, wenn die Oberfläche des Rasens nicht eben ist.

Akku

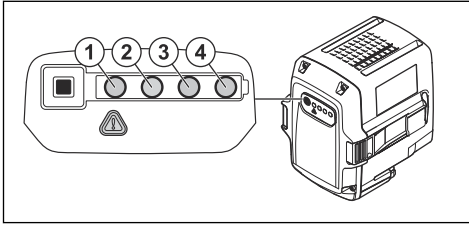


WARNUNG: Vor dem Betrieb des Akkus müssen Sie die Sicherheitsinformationen lesen und verstehen. Sie müssen außerdem Bedienungsanleitung für den Akku und das Ladegerät lesen und verstehen.

Akkuladezustand

Auf der Anzeige werden der verbleibende Ladezustand und eventuelle Störungen des Akkus angezeigt. Die Akkukapazität wird nach dem Ausschalten des Geräts bzw. nach Drücken der Akkuanzeigetaste für 5 Sekunden angezeigt. Das Warnsymbol auf dem Akku

ist an, wenn eine Störung vorliegt. Siehe *Akku auf Seite 126*.



LED-Leuchten	Akkuladezustand
Alle LEDs leuchten	Volle Ladung (75-100 %)
LED 1, LED 2 und LED 3 leuchten	Der Akku ist zu 50-75 % geladen
LED 1 und LED 2 leuchten	Der Akku ist zu 25-50 % geladen
LED 1 leuchtet	Der Akku ist zu 0-25 % geladen.
LED 1 blinkt	Der Akku ist leer. Laden Sie den Akku.

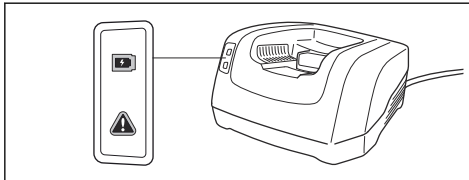
So laden Sie den Akku

Laden Sie den Akku vor dem ersten Gebrauch. Der Akku ist bei der Auslieferung an den Kunden nur zu 30 % geladen.

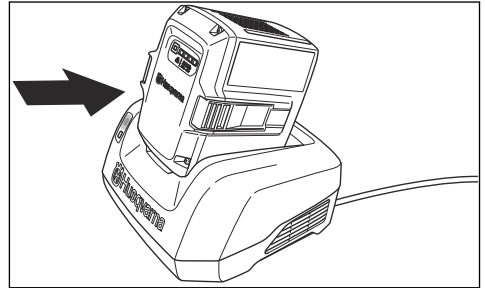
Hinweis: Das Ladegerät muss mit der auf dem Typenschild angegebenen Spannung und Frequenz angeschlossen werden.

Der Akku wird nicht aufgeladen, wenn die Akkutemperatur über 50 °C beträgt. Das Ladegerät verringert die Temperatur des Akkus, bevor es zu laden beginnt.

1. Schließen Sie ein Ende des Netzkabels für das Ladegerät an die Anschlussbuchse des Ladegeräts an.
2. Schließen Sie das andere Ende des Netzkabels für das Ladegerät an eine geerdete Steckdose an. Die LED am Ladegerät blinkt einmal grün.



3. Die Batterie in das Ladegerät einlegen. Die grüne Leuchte auf dem Ladegerät leuchtet auf, wenn der Akku richtig mit dem Ladegerät verbunden ist.



4. Wenn alle LEDs am Akku leuchten, ist der Akku vollständig aufgeladen. Laden Sie den Akku für maximal 24 Stunden.
5. Um das Ladegerät von der Steckdose zu trennen, ziehen Sie am Netzstecker und nicht am Netzkabel.
6. Den Akku aus dem Ladegerät entnehmen.

Akku-Ladestatus

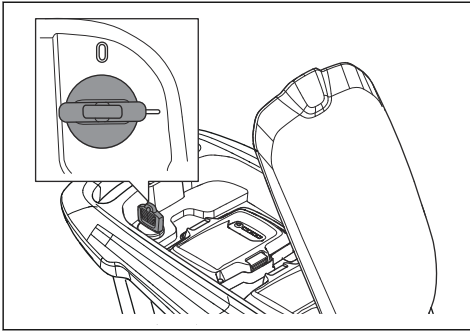
Ein Husqvarna Li-Ionen-Akku kann in jedem Ladezustand aufgeladen oder genutzt werden. Der Akku wird hierdurch nicht beschädigt. Ein vollgeladener Akku behält seine Ladung auch dann, wenn der Akku im Ladegerät belassen wird.

LED-Anzeige	Ladezustand
LED 1 blinkt	0 %-25 %
LED 1 leuchtet, LED 2 blinkt	25 %-50 %
LED 1 und LED 2 leuchten, LED 3 blinkt	50 %-75 %
LED 1, LED 2 und LED 3 leuchten, LED 4 blinkt	75 %-100 %
LED 1, LED 2, LED 3 und LED 4 leuchten	Vollständig aufgeladen

So starten Sie das Gerät

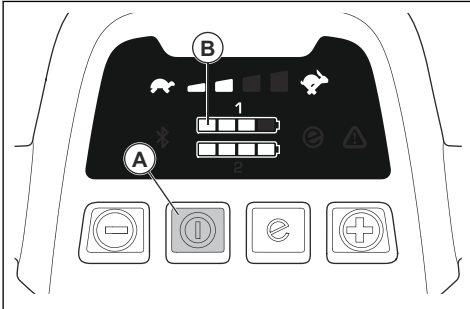
1. Öffnen Sie den Akkudeckel.
2. Legen Sie einen aufgeladenen Akku in einen der Akkuhalter ein. Für eine längere Betriebsdauer legen Sie einen zweiten aufgeladenen Akku in den anderen Akkuhalter ein.

3. Drehen Sie den Sicherheitsschlüssel auf 1.

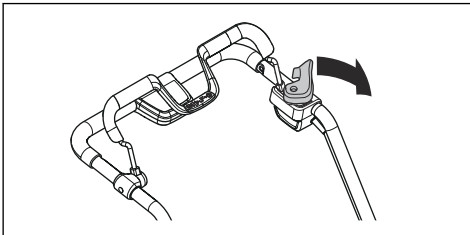


4. Bleiben Sie hinter dem Produkt.

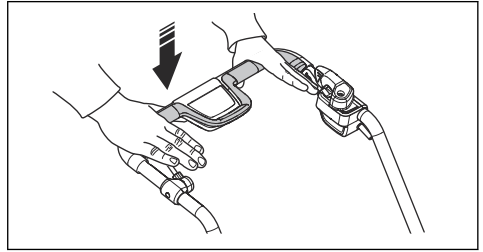
5. Drücken Sie den EIN-/AUS-Schalter (A) auf der Bedientafel. Das Display schaltet sich ein. Die Akkuanzeige (B) zeigt den Ladezustand der beiden Akkus an. Neben der Akkuanzeige wird angezeigt, welcher Akku in Betrieb ist. Bei LC 347iV, LC 347iVX, LC 353iV, LC 353iVX Modellen wird auch die festgelegte Drehzahl angezeigt.



6. Lösen Sie die Wegfahrsperre.

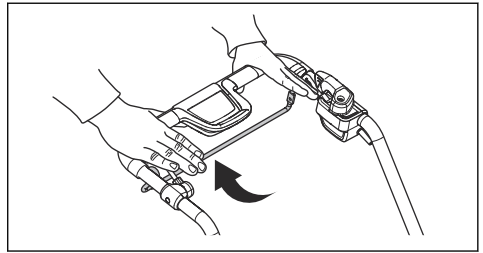


7. Drücken Sie den Motorbremsbügel in die Richtung des Lenkers.

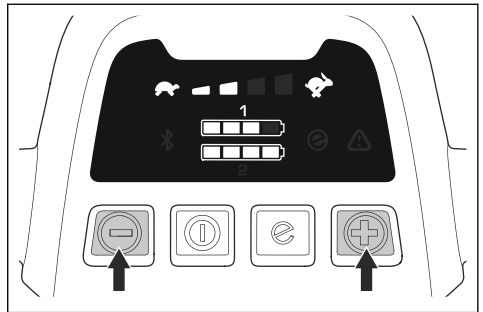


So treiben Sie die Räder an LC 347iV, LC 347iVX, LC 353iV, LC 353iVX

- Ziehen Sie den Antriebsbügel zum Lenker, um den Antrieb zu starten.



- Drücken Sie + und - auf dem Bedienfeld, um die Drehzahl des Antriebs in 4 Schritten einzustellen.



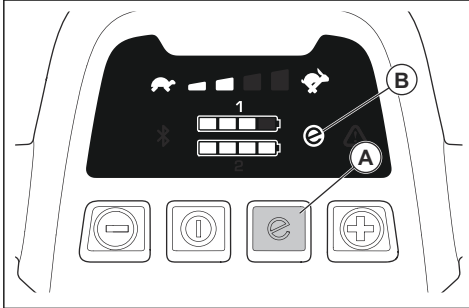
- Lassen Sie den Antriebsgriff los, um den Antrieb auszuschalten, z. B., wenn Sie sich in die Nähe eines Hindernisses bewegen.

So verwenden Sie die -Funktion

Das Gerät ist mit einer Akkusparfunktion () ausgestattet, um die Betriebsdauer zu verlängern.

1. Drücken Sie die -Taste (A) zum Starten der Funktion. Das -Symbol (B) erscheint auf dem Display.

- Wenn Sie die Funktion deaktivieren möchten, drücken Sie die -Taste erneut. Das -Symbol (B) auf dem Display erlischt.



Die -Funktion stoppt automatisch, wenn die Bodenbeschaffenheit eine höhere Leistung erfordert. Die -Funktion startet automatisch erneut, wenn die Bodenbeschaffenheit es zulässt.

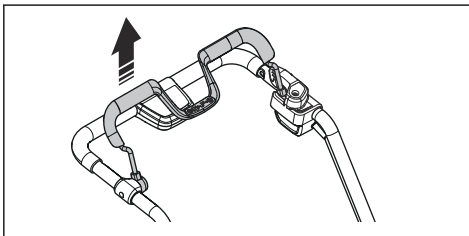
Funktion für hohe Belastung

Wenn das Produkt langes oder nasses Gras schneidet, wird die Motordrehzahl automatisch erhöht. Der Motor wechselt zurück zum normalen Modus, wenn eine hohe Belastung nicht erforderlich ist.

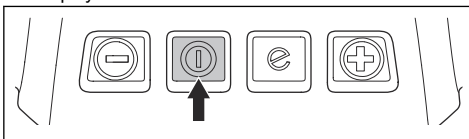
So stoppen Sie das Produkt

Das Produkt stoppt automatisch, wenn Sie es für 10 Minuten nicht in Betrieb nehmen. Stellen Sie stets den Sicherheitsschlüssel auf 0, bevor Sie das Produkt unbeaufsichtigt lassen.

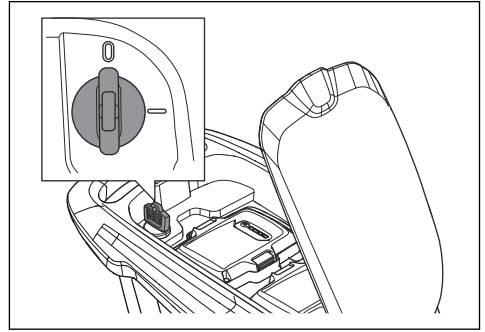
- Lösen Sie den Motorbremsbügel, um den Motor auszuschalten.



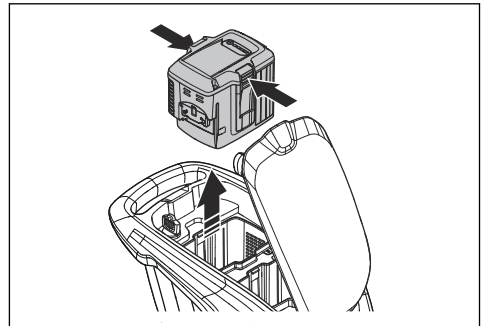
- Drücken Sie den EIN-/AUS-Schalter auf der Bedientafel. Alle LEDs und Symbole auf dem Display erlöschen.



- Öffnen Sie die Akkuabdeckung und drehen Sie den Sicherheitsschlüssel auf 0.



- Um den Akku zu entfernen, drücken Sie die beiden Entriegelungstasten und ziehen Sie den Akku heraus.



- Laden Sie den Akku, wenn er schwach ist. Weitere Informationen finden Sie unter *So laden Sie den Akku auf Seite 121*.

So erhalten Sie ein gutes Mähergebnis

- Benutzen Sie immer eine scharfe Klinge. Eine stumpfe Klinge liefert ein unregelmäßiges Ergebnis, und die Schnittfläche des Grases wird gelb. Eine scharfe Klinge verbraucht außerdem weniger Energie als eine stumpfe Klinge.
- Schneiden Sie nicht mehr als $\frac{1}{3}$ der Länge des Grases ab. Mähen Sie zuerst mit einer hohen Schnitthöhe. Überprüfen Sie das Ergebnis, und senken Sie die Schnitthöhe auf eine entsprechende Stufe. Wenn das Gras sehr lang ist, fahren Sie langsam und mähen bei Bedarf 2-mal.
- Mähen Sie bei jedem Mal in eine andere Richtung, um Streifen auf dem Rasen zu vermeiden.

So mähen Sie ohne Grasfänger oder Mulcheinsatz

- Heben Sie die hintere Abdeckung an, und entfernen Sie den Grasfänger.
- Wenn ein Mulcheinsatz und eine Mulchklinge angebracht sind, entfernen Sie diese.

- Schließen Sie die hintere Abdeckung, bevor Sie das Produkt verwenden.

Wenn Sie das Produkt verwenden, entlädt sich das Gras unter der hinteren Abdeckung.

Wartung

Einleitung



WARNUNG: Bevor Sie eine Wartung durchführen, müssen Sie das Kapitel über die Sicherheit lesen und verstehen.

Für alle Wartungs- und Reparaturarbeiten am Produkt ist eine spezielle Schulung erforderlich. Wir garantieren die Verfügbarkeit von professionellen Reparaturen und Wartungsarbeiten. Wenn Ihr Händler keine Servicewerkstatt ist, sprechen Sie mit ihm, um

Informationen über die nächste Servicewerkstatt zu erhalten.

Wartungsplan

Die Wartungsintervalle werden anhand der täglichen Nutzung des Produkts berechnet. Die Intervalle ändern sich, wenn das Produkt nicht täglich verwendet wird.

Für Wartungsarbeiten, die mit * gekennzeichnet sind, siehe Anweisungen in *Sicherheitshinweise für den Betrieb auf Seite 113*.

	Nach jedem Einsatz	Monatlich	Zu jeder Jahreszeit
Führen Sie eine allgemeine Inspektion durch	X		
Reinigen Sie das Produkt	X		
Prüfen Sie die Startsperrung *	X		
Stellen Sie sicher, dass die Sicherheitsvorrichtungen am Produkt nicht beschädigt sind *	X		
Prüfen Sie die Schneidausrüstung	X		
Prüfen Sie die Schneidewerkabdeckung *	X		
Führen Sie eine Prüfung des Motorbremsbügels durch *	X		
Stellen Sie sicher, dass die EIN/AUS-Taste funktioniert und nicht defekt ist	X		
Untersuchen Sie den Akku auf Schäden	X		
Kontrollieren Sie den Ladezustand des Akkus	X		
Stellen Sie sicher, dass die Entriegelungstasten am Akku richtig funktionieren und der Akku in das Produkt einrastet	X		
Überprüfen Sie das Ladegerät auf Beschädigungen und stellen Sie sicher, dass es ordnungsgemäß funktioniert.		X	
Überprüfen Sie die Verbindungen zwischen dem Akku und dem Produkt. Überprüfen Sie auch die Verbindung zwischen dem Akku und dem Ladegerät.			X

So führen Sie eine allgemeine Inspektion durch

- Stellen Sie sicher, dass die Muttern und Schrauben am Produkt nicht beschädigt sind.
- Stellen Sie sicher, dass die Kabel an dem Produkt nicht so liegen, dass sie beschädigt werden könnten.

So reinigen Sie das Gerät

- Kunststoffteile mit einem sauberen und trockenen Tuch reinigen.

- Verwenden Sie kein Wasser zur Reinigung des Produkts. Wasser kann in den Akku oder den Motor eindringen und einen Kurzschluss oder andere Schäden am Produkt verursachen.
- Reinigen Sie das Gerät nicht mit einem Hochdruckreiniger.
- Lassen Sie kein Wasser direkt auf den Motor gelangen.
- Verwenden Sie einen Pinsel, um Blätter, Gras und Schmutz zu entfernen.

So reinigen Sie den Akku und das Ladegerät



ACHTUNG: Reinigen Sie weder den Akku noch das Ladegerät mit Wasser.

- Stellen Sie sicher, dass der Akku und das Ladegerät sauber und trocken sind, bevor Sie den Akku in das Ladegerät einlegen.
- Reinigen Sie die Akkuklemmen mit Druckluft oder einem weichen, trockenen Tuch.
- Reinigen Sie die Oberflächen des Akkus und des Ladegeräts mit einem weichen, trockenen Tuch.

So prüfen Sie die Schneidausrüstung



WARNUNG: Um ein unbeabsichtigtes Starten zu verhindern, drehen Sie den Sicherheitsschlüssel auf 0, entfernen Sie den Akku und warten Sie mindestens 5 Sekunden.



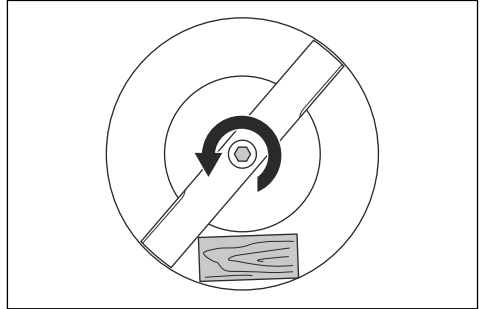
WARNUNG: Tragen Sie Schutzhandschuhe, wenn Sie an der Schneidausrüstung eine Wartung durchführen. Die Klinge ist sehr scharf und man schneidet sich sehr leicht.

1. Prüfen Sie die Schneidausrüstung auf Beschädigungen oder Risse. Wechseln Sie eine beschädigte Schneidausrüstung unbedingt aus.
2. Schauen Sie sich die Klinge an, um festzustellen, ob sie beschädigt oder stumpf ist.

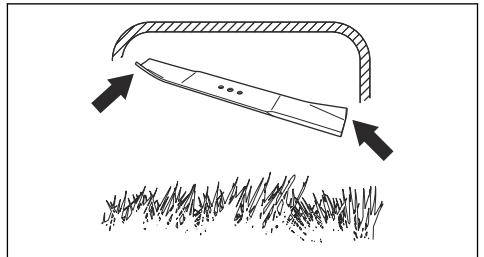
Hinweis: Nach dem Schärfen muss die Klinge ausbalanciert werden. Lassen Sie eine Servicewerkstatt die Klinge schärfen, ersetzen und ausbalancieren. Wenn Sie auf ein Hindernis treffen, das das Produkt zum Halten bringt, ersetzen Sie die beschädigte Klinge. Lassen Sie die Werkstatt beurteilen, ob die Klinge geschliffen werden kann oder ersetzt werden muss.

So entfernen und tauschen Sie die Klinge

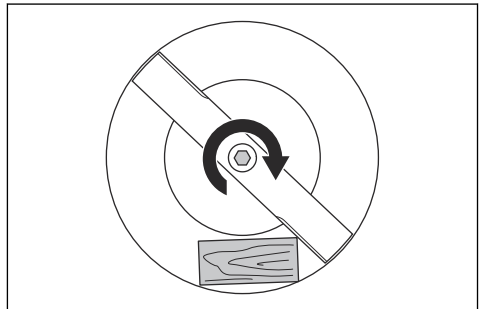
1. Arretieren Sie die Klinge mit einem Holzblock.



2. Entfernen Sie den Bolzen der Klinge.
3. Entfernen Sie die Klinge.
4. Prüfen Sie die Halterung und den Bolzen der Klinge, um festzustellen, ob Beschädigungen vorliegen.
5. Prüfen Sie die Motorwelle, um sicherstellen, dass sie nicht geknickt ist.
6. Wenn Sie die neue Klinge montieren, zeigen die abgewinkelten Enden der Klinge in die Richtung der Schneidwerkabdeckung.



7. Stellen Sie sicher, dass das Messer mit der Mitte der Motorwelle ausgerichtet ist.
8. Arretieren Sie die Klinge mit einem Holzblock. Befestigen Sie die Federscheibe und ziehen Sie die Schraube und die Unterlegscheibe mit einem Drehmoment von 23-28 Nm an.



9. Drehen Sie die Klinge mit der Hand, um sicherzustellen, dass sie sich einwandfrei dreht.

sehr scharf und man schneidet sich sehr leicht.



WARNUNG: Tragen Sie Sicherheitshandschuhe. Die Klinge ist

10. Starten Sie das Produkt, um die Klinge zu prüfen. Wenn die Klinge nicht richtig befestigt ist, gibt es im Produkt Vibrationen oder das Schneidergebnis ist unbefriedigend.

Fehlerbehebung

Akku

LED-Anzeige am Akku	Mögliche Fehler	Mögliches Verfahren
Die grüne LED blinkt	Die Akkuspannung ist niedrig	Laden Sie den Akku. Siehe <i>So laden Sie den Akku auf Seite 121</i> .
Die Störungs-LED blinkt	Der Akku ist schwach	Laden Sie den Akku. Siehe <i>Akku auf Seite 126</i> .
	Die Temperatur in der Arbeitsumgebung ist zu hoch oder zu niedrig	Der Akku darf nur bei Temperaturen zwischen -10 und 40 °C verwendet werden.
	Überspannung	Kontrollieren Sie, ob die Netzspannung mit der auf dem Typenschild auf dem Produkt übereinstimmt. Den Akku aus dem Ladegerät entnehmen. Warten Sie 5 Sekunden und versuchen Sie erneut, den Akku aufzuladen. Falls das Problem weiterbesteht, wenden Sie sich an eine autorisierte Servicewerkstatt.
Die Fehler-LED leuchtet	Zellendifferenz zu groß (1 V)	Wenden Sie sich an eine autorisierte Servicewerkstatt.

Akkuladegerät

Die LED am Akkuladegerät	Mögliche Fehler	Mögliches Verfahren
Die Störungs-LED blinkt	Die Temperatur in der Arbeitsumgebung ist zu hoch oder zu niedrig	Das Ladegerät darf nur in Umgebungen mit Temperaturen zwischen 5 und 40 °C verwendet werden.
Die Fehler-LED leuchtet		Wenden Sie sich an eine autorisierte Servicewerkstatt

Bedienfeld

Tastatur	Fehlercodes (Anzahl des Blinkens)	Mögliche Fehler	Mögliche Fehlerbehebung
Störungs-LED blinkt	3	Der Motor ist überlastet	Erhöhen Sie die Schnitthöhe. Siehe <i>So stellen Sie die Schnitthöhe ein auf Seite 120</i> .
	5	Die Motordrehzahl fällt zu stark ab und der Motor stoppt	
	10	Die Motorsteuerung ist zu heiß	Schalten Sie den Motor ab und warten Sie, bis er sich abgekühlt hat
	2	Die Klinge ist blockiert.	Um ein unbeabsichtigtes Starten zu verhindern, drehen Sie den Sicherheitsschlüssel auf 0, entfernen Sie den Akku und warten Sie mindestens 5 Sekunden. Stellen Sie sicher, dass die Klinge sich frei drehen kann. Falls das Problem weiterbesteht, wenden Sie sich an eine autorisierte Servicewerkstatt
	9	Akkufehler oder kein Signal vom Akku	Setzen Sie den Akku korrekt in das Produkt ein und untersuchen Sie den Akkuanschluss. Wenn die Fehler-LED am Akku blinkt. Siehe <i>Akku auf Seite 120</i> .
Das Produkt schaltet sich ab	8	Der Akku ist schwach	Laden Sie den Akku. Siehe <i>So laden Sie den Akku auf Seite 121</i> .
	0	Anschluss für den Akku defekt	Überprüfen Sie den Anschluss für den Akku
Andere Fehler	Wenn andere Fehler auftreten, stellen Sie den Sicherheitsschlüssel auf 0, entfernen Sie den Akku und wenden Sie sich an eine zugelassene Servicewerkstatt.		

Transport, Lagerung und Entsorgung

Einleitung

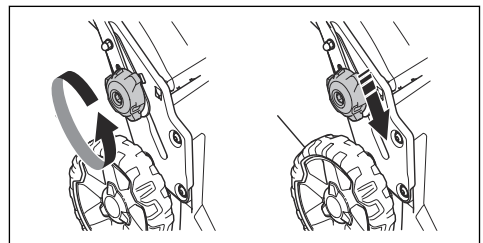


WARNUNG: Um ein unbeabsichtigtes Starten beim Transport zu verhindern, drehen Sie den Sicherheitsschlüssel auf 0, entfernen Sie den Akku und warten Sie mindestens 5 Sekunden.

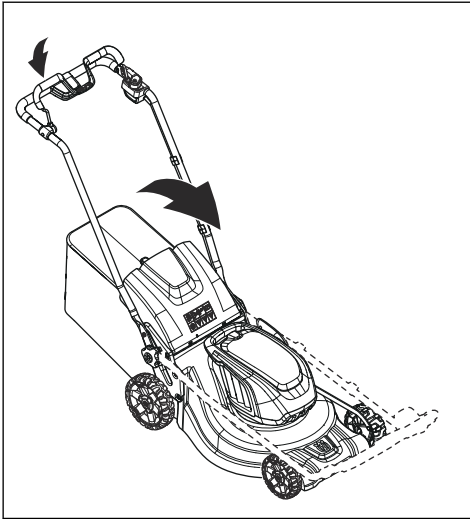
So bringen Sie das Gerät in die Transportposition

1. Lösen Sie die unteren Drehknöpfe.

2. Schieben Sie die Knöpfe ans untere Ende der Nuten an der linken und rechten Seite des Geräts.



3. Klappen Sie den Griff nach vorn.



4. Entfernen Sie den Grasfänger.

Transport

- Die enthaltenen Lithium-Ionen-Batterien unterliegen den gesetzlichen Bestimmungen zu gefährlichen Gütern.
- Für gewerbliche Transporte müssen besondere Anforderungen bei Verpackung und Kennzeichnung eingehalten werden.
- Stellen Sie sicher, dass Sie sich an die Vorschriften für gefährliche Güter halten, wenn Sie das Produkt für den Transport vorbereiten. Gegebenenfalls gelten örtliche Vorschriften.
- Entnehmen Sie die für den Transport stets den Akku.
- Decken Sie die Akkustecker mit Klebeband ab und stellen Sie sicher, dass der Akku sich während des Transports nicht bewegen kann.
- Sichern Sie das Produkt während des Transports.

Lagerung

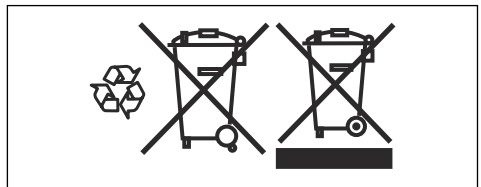
- Entnehmen Sie für die Lagerung stets den Akku.
- Stellen Sie zur Vermeidung von Unfällen sicher, dass der Akku während der Lagerung nicht an das Produkt angeschlossen bleibt.
- Bewahren Sie das Ladegerät an einem geschlossenen und trockenen Ort auf.

- Bewahren Sie den Akku und das Ladegerät an einem trockenen Ort ohne Feuchtigkeit oder Frost auf.
- Trennen Sie den Akku während der Lagerung vom Ladegerät.
- Lagern Sie den Akku nicht an einem Ort, an dem es zu elektrostatischen Entladungen kommen kann. Bewahren Sie den Akku nicht in einem Metallkasten auf.
- Lagern Sie den Akku an einem Ort mit einer Temperatur zwischen 5 und 25 °C und setzen Sie ihn nicht direkter Sonneneinstrahlung aus.
- Lagern Sie das Ladegerät an einem Ort mit einer Temperatur zwischen 5 und 45 °C und setzen Sie es nicht direkter Sonneneinstrahlung aus.
- Stellen Sie sicher, dass der Akkustand mindestens zwischen 30 und 50 % beträgt, bevor Sie das Produkt für längere Zeit einlagern.
- Bewahren Sie das Produkt, den Akku und das Ladegerät an einem verschließbaren Ort und für Kinder und unbefugte Personen unzugänglich auf.
- Reinigen Sie das Produkt und lassen Sie es vollständig warten, bevor Sie es längere Zeit einlagern.

Entsorgung

Durch Symbole auf dem Produkt oder seiner Verpackung wird angezeigt, dass dieses Produkt nicht über den Hausmüll entsorgt werden darf. Es ist einer entsprechenden Recycling-Einrichtung zuzuführen, damit elektrische und elektronische Komponenten wiedergewonnen werden können.

Dadurch, dass Sie sicherstellen, dass Sie mit diesem Produkt sorgfältig umgehen, können Sie helfen, den potentiellen negativen Auswirkungen auf die Umwelt und Ihre Mitmenschen entgegenzuwirken, die sich andernfalls durch eine unsachgemäße Entsorgung dieses Produkts ergeben können. Genauere Informationen über die ordnungsgemäße Entsorgung dieses Produkts erhalten Sie bei Ihrer Stadtverwaltung, Ihrem Abfallentsorgungsunternehmen oder dem Geschäft, in dem Sie Ihr Produkt gekauft haben.



Technische Angaben

Technische Daten

	LC 247IX/LC 247I	LC 347IVX/LC 347IV	LC 353IVX/LC 353IV
Schneidmotor			

	LC 247iX/LC 247i	LC 347iVX/LC 347iV	LC 353iVX/LC 353iV
Motortyp	BLDC (bürstenlos) 36 V	BLDC (bürstenlos) 36 V	BLDC (bürstenlos) 36 V
Motordrehzahl – SavE, U/min	2600	2.600	2600
Motordrehzahl – Nennwert, U/min	3.000	3000	3.000
Motordrehzahl – hohe Belastung, U/min	3500	3500	3500
Motorleistung – max. kW	0,96	0,96	1,05
Motorleistung – Nennwert, kW	0,75	0,75	0,9
Antriebsmotor			
Motorleistung – Nennwert, kW	--	0,25	0,25
Eigene Gehgeschwindigkeit, km/h	--	3,0–4,5	3,0–4,5
Anpasswerte Geschwindigkeit	--	4	4
Gewicht			
Gewicht ohne Akku, kg	24	26	28
Akku			
Akkutyp	Husqvarna-Akkuserie	Husqvarna-Akkuserie	Husqvarna-Akkuserie
Akkulaufzeit			
Mindest-Akkulaufzeit (Leerlauf) bei aktiviertem SavE-Modus, mit einem Husqvarna-5,2-Ah-Akku (Bli200).	43	43	32
Mindest-Akkulaufzeit (Leerlauf) bei aktiviertem Standardmodus, mit einem Husqvarna-5,2-Ah-Akku (Bli200).	30	30	20
Geräuschemissionen ¹³			
Gemessener Schalleistungspegel dB (A)	94	94	97
Schalleistungspegel, garantiert L _{WA} dB (A)	95	95	98
Schallpegel ¹⁴			
Schalldruckpegel am Ohr des Bedieners, dB (A)	82	82	86
Vibrationspegel ¹⁵			
Griff, m/s ²	0,42	0,42	2,64
Schneidausrüstung			
Schnitthöhe, mm	20–75 mm	20–75 mm	20–75 mm

¹³ Umweltbelastende Geräuschemissionen, gemessen als Schalleistung (L_{WA}) gemäß EG-Richtlinie 2000/14/EG.

¹⁴ Berichten zufolge liegt der Schalldruckpegel normalerweise bei einer Ausbreitungsklasse (Standardabweichung) von 1,2 dB (A).

¹⁵ Berichten zufolge liegt der Vibrationspegel normalerweise bei einer Ausbreitungsklasse (Standardabweichung) von 0,2 m/s². Norm EN 60335-2-77:2017, Kapitel 20.105

	LC 247iX/LC 247i	LC 347iVX/LC 347iV	LC 353iVX/LC 353iV
Schnittbreite, cm	47	47	53
Klinge, Standard	Sammeln 5905934-10	Sammeln 5905934-10	Sammeln 5940757-10
Klingenzubehör	Mulch 5907010-10	Mulch 5907010-10	Mulch 5950072-10
Grasfängervolumen, Liter	55	55	60

Funkfrequenzdaten für Bluetooth®	LC 247iX	LC 347iVX	LC 353iVX
Frequenzband, GHz	2,4–2,4835	2,4–2,4835	2,4–2,4835
Ausgangsleistung, max. dBm	4	4	4

Zugelassene Akkus	Typ	Akkukapazität, Ah	Spannung, V	Gewicht, lb/kg
BLi20	Lithium-Ionen	4,0	36	2,6/1,2
BLi30	Lithium-Ionen	7,7	36	4,2/1,9
BLi200	Lithium-Ionen	5,2	36	2,8/1,3
BLi300	Lithium-Ionen	9,4	36	4,1/1,9

Zugelassene Ladegeräte für die angegebenen Akkus, BLi	Eingangsspannung, V	Frequenz, Hz	Leistung, W
QC80	100-240	50-60	80
QC80F	12	0	80
QC250	100-240	50-60	250
QC330	100-240	50-60	330
QC500	100-240	50-60	500

EU-Konformitätserklärung

EU-Konformitätserklärung

Husqvarna AB, SE-561 82 Huskvarna, Schweden, Tel.: +46-36-146500 versichert, dass der **Rasenmäher Husqvarna LC 247i, LC 247iX, LC 347iV, LC 347iVX, LC 353iV, LC 353iVX** ab dem Jahr 2018 den Vorschriften folgender RICHTLINIE DES RATES entspricht:

- Richtlinie zur „Beschränkung der Verwendung bestimmter gefährlicher Stoffe“, **2011/65/EU** vom 8. Juni 2011
- „Maschinen-Richtlinie“ **2006/42/EG** vom 17. Mai 2006
- „Richtlinie über umweltbelastende Geräuschemissionen von zur Verwendung im Freien vorgesehenen Geräten und Maschinen“ **2000/14/EG** vom 8. Mai 2000

Informationen zu Geräuschemissionen finden Sie unter *Technische Angaben auf Seite 128*.

Die folgenden Normen werden erfüllt:

EN/IEC 60335-1, EN/IEC 60335-2-77, EN/IEC 62233, EN 55014-1, EN ETSI 301 489-7 v1.3.1, EN 61000-6,

ETSI EN 61000-6-1, EN 300 328 BT low energy Tx/Rx, EN 50581

Sofern nicht anders angegeben, entsprechen die oben genannten Normen den neuesten veröffentlichten Versionen.

Benannte Stelle: **0404, RISE SMP Svensk Maskinprovning AB, Box 7035, SE-750 07 Uppsala** hat eine Konformitätsbewertung gemäß Anhang VI der Richtlinie 2000/14/EG durchgeführt.

Huskvarna, 2020-04-22



Claes Losdal, Entwicklungsleiter/Gartenprodukte
(Bevollmächtigter Vertreter für Husqvarna AB,
verantwortlich für die technische Dokumentation)

EINGETRAGENE MARKEN

Die *Bluetooth®* Wortmarke und die Logos sind eingetragene Marken von Bluetooth SIG, inc., und die Verwendung dieser Marken durch Husqvarna erfolgt unter Lizenz.

Περιεχόμενα

Εισαγωγή.....	132	Αντιμετώπιση προβλημάτων.....	153
Ασφάλεια.....	136	Μεταφορά, αποθήκευση και απόρριψη.....	155
Συναρμολόγηση.....	145	Τεχνικά στοιχεία.....	156
Λειτουργία.....	147	Δήλωση Συμμόρφωσης ΕΚ.....	159
Συντήρηση.....	151	Σήματα κατατεθέντα.....	159

Εισαγωγή

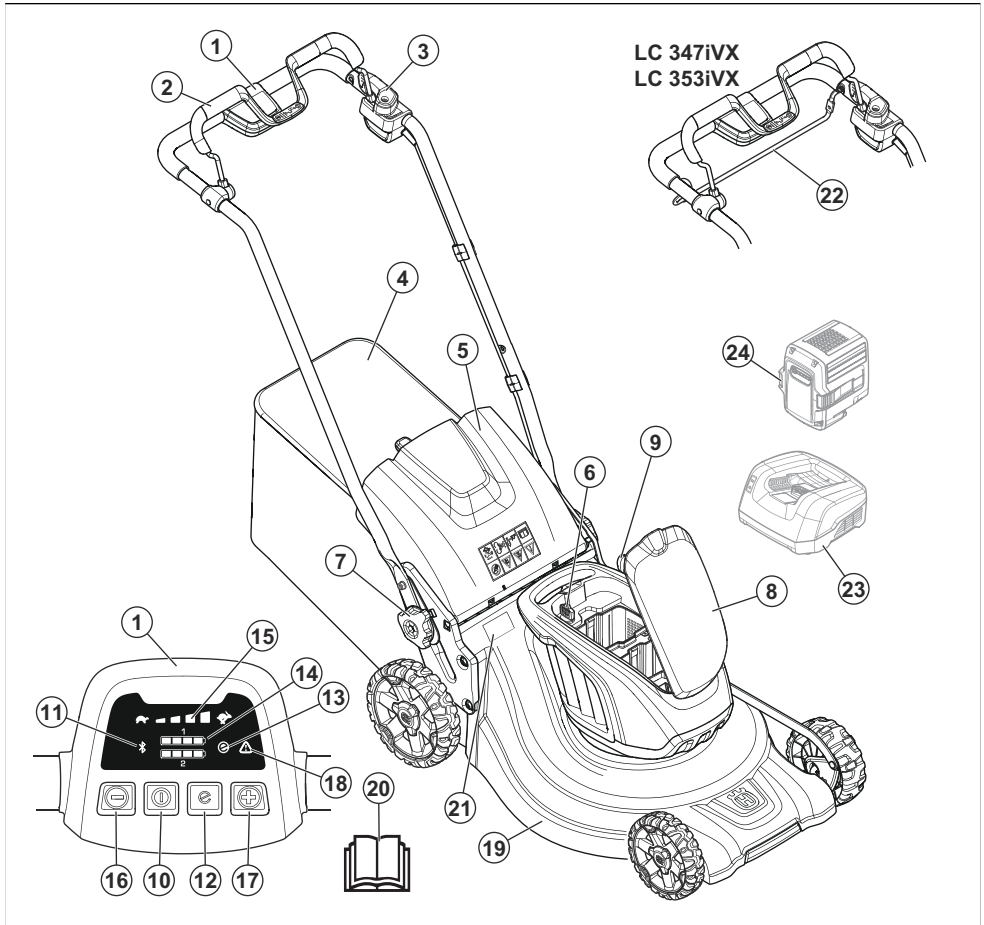
Περιγραφή προϊόντος

Το προϊόν είναι ένα χλοοκοπτικό γκαζόν πεζού χειριστή με κύλινδρο. Το γρασίδι συλλέγεται σε έναν συλλέκτη χόρτου. Αφαιρέστε το συλλέκτη χόρτου για να εξαγάγετε το χόρτο από την πίσω πλευρά. Συνδέστε ένα κιτ κοπής χορτολιπάσματος (αξεσουάρ) για κοπή του γρασιδιού σε λίπασμα.

Προβλεπόμενη χρήση

Χρησιμοποιήστε το προϊόν για την κοπή γρασιδιού. Μην χρησιμοποιείτε το προϊόν για άλλες εργασίες.

Επισκόπηση προϊόντος



- | | |
|---|---|
| 1. Ταμπλό ελέγχου | 15. Ένδειξη επιπέδου ταχύτητας (LC 347iV, LC 347iVX, LC 353iV, LC 353iVX) |
| 2. Λαβή φρένου κινητήρα | 16. Κομπι μείωσης ταχύτητας (LC 347iV, LC 347iVX, LC 353iV, LC 353iVX) |
| 3. Αναστολέας εκκίνησης | 17. Κομπι αύξησης ταχύτητας (LC 347iV, LC 347iVX, LC 353iV, LC 353iVX) |
| 4. Συλλέκτης χόρτου | 18. Λυχνία LED σφάλματος |
| 5. Πίσω κάλυμμα | 19. Κάλυμμα κοπής |
| 6. Κλειδί ασφαλείας | 20. Εγχειρίδιο χρήσης |
| 7. Χειρολαβή | 21. Πινακίδα στοιχείων |
| 8. Κάλυμμα μπαταρίας | 22. Ασφάλεια οδήγησης (LC 347iV, LC 347iVX, LC 353iV, LC 353iVX) |
| 9. Χειριστήριο ύψους κοπής | 23. Φορτιστής μπαταρίας (αξεσουάρ) |
| 10. Κομπι ON/OFF | 24. Μπαταρία (αξεσουάρ) |
| 11. Ένδειξη για την ασύρματη τεχνολογία <i>Bluetooth®</i> | |
| 12. Κομπι λειτουργίας εξοικονόμησης SavE | |
| 13. Ένδειξη λειτουργίας εξοικονόμησης SavE | |
| 14. Ένδειξη μπαταρίας | |

Σύμβολα στο προϊόν



ΠΡΟΕΙΔΟΠΟΙΗΣΗ! Να είστε προσεκτικοί και να χρησιμοποιείτε το προϊόν σωστά. Αυτό το προϊόν μπορεί να προκαλέσει σοβαρό τραυματισμό ή θάνατο του χειριστή ή άλλων ατόμων.



Προτού χρησιμοποιήσετε το προϊόν, διαβάστε προσεκτικά το εγχειρίδιο χρήσης και βεβαιωθείτε ότι έχετε κατανοήσει τις οδηγίες.



Διατηρήστε τα άλλα άτομα και τα ζώα σε απόσταση ασφαλείας από την περιοχή εργασίας.



Προσέχετε για αντικείμενα που μπορεί να εκτοξευθούν ή να εξοστρακιστούν.



Προειδοποίηση: Να διατηρείτε τα χέρια και τα πόδια σας μακριά

από την περιστρεφόμενη λεπίδα.



Προειδοποίηση: Να διατηρείτε τα χέρια και τα πόδια σας μακριά από κινούμενα μέρη.



Αφαιρέστε το κλειδί ασφαλείας προτού εκτελέσετε εργασίες επισκευής ή συντήρησης.



Αποφύγετε την έκθεση στη βροχή.



Το προϊόν ή η συσκευασία του προϊόντος δεν αποτελεί οικιακό απόρριμμα. Ανακυκλώστε το σε κέντρο ανακύκλωσης ηλεκτρικού και ηλεκτρονικού εξοπλισμού.



Το προϊόν συμμορφώνεται με τις ισχύουσες οδηγίες ΕΚ.



Το προϊόν συμμορφώνεται με τις ισχύουσες οδηγίες της

Ευρασιατικής Τελωνειακής Ένωσης.



Το προϊόν συμμορφώνεται με τις ισχύουσες οδηγίες της UkrSEPRO.



Το προϊόν συμμορφώνεται με τις οδηγίες της ACA (σήμανση RCM). Ισχύει για Αυστραλία/Νέα Ζηλανδία μόνο



Εκπομπές θορύβου στο περιβάλλον σύμφωνα με την ευρωπαϊκή οδηγία 2000/14/EK και τη νομοθεσία της Νέας Νότιας Ουαλίας για την "Προστασία των περιβαλλοντικών δράσεων (έλεγχος θορύβου), Κανονισμός 2017". Τα στοιχεία για τις εκπομπές θορύβου βρίσκονται στην ετικέτα του μηχανήματος και στο κεφάλαιο "Τεχνικά στοιχεία".

IPX1 Το προϊόν διαθέτει προστασία από διαρροές νερού.

Διαδικασία εκκίνησης: Πιέστε το κουμπι ON/OFF, χαλαρώστε τον ανατολέτη εκκίνησης, πιέστε προς τα κάτω τη λαβή του φρένου κινητήρα.



Για να διακόψετε τη λειτουργία, αφήστε τη λαβή του φρένου κινητήρα.



Αργά



Γρήγορα



Κωδικός με δυνατότητα σάρωσης

Περιεχόμενα Άλλα σύμβολα/σήματα που υπάρχουν στο προϊόν αναφέρονται σε απαιτήσεις πιστοποίησης για ορισμένες αγορές.

Ετικέτα στο προϊόν



Φροντίστε τα χέρια και τα πόδια σας να βρίσκονται μακριά από τις περιστρεφόμενες λεπίδες.

Ευθύνη προϊόντος

Όπως αναφέρεται στη νομοθεσία περί ευθύνης για τα προϊόντα, δεν φέρουμε καμία ευθύνη για ζημιές που οφείλονται στο προϊόν μας εάν:

- Το προϊόν έχει επισκευαστεί λανθασμένα.
- Το προϊόν έχει επισκευαστεί με εξαρτήματα που δεν προέρχονται από τον κατασκευαστή ή που δεν έχουν εγκριθεί από τον κατασκευαστή.
- Το προϊόν διαθέτει ένα αξεσουάρ που δεν προέρχεται από τον κατασκευαστή ή που δεν έχει εγκριθεί από τον κατασκευαστή.
- Το προϊόν δεν έχει επισκευαστεί σε εγκεκριμένο κέντρο σέρβις ή από εγκεκριμένη αρχή.

Ασφάλεια

Ορισμοί για την ασφάλεια

Για την επισήμανση ειδικών σημαντικών τμημάτων του εγχειριδίου χρησιμοποιούνται προειδοποιήσεις, συστάσεις προσοχής και σημειώσεις.



ΠΡΟΕΙΔΟΠΟΙΗΣΗ:

Χρησιμοποιείται όταν υπάρχει κίνδυνος τραυματισμού ή θανάτου του χειριστή ή άλλων παριστάμενων ατόμων, αν δεν τηρηθούν οι οδηγίες που παρέχονται στο εγχειρίδιο.



ΠΡΟΣΟΧΗ:

Χρησιμοποιείται όταν υπάρχει κίνδυνος πρόκλησης ζημιάς στο προϊόν, σε άλλα υλικά ή στον παρακείμενο χώρο, αν δεν τηρηθούν οι οδηγίες που παρέχονται στο εγχειρίδιο.

Περιεχόμενα Χρησιμοποιείται για παροχή περισσότερων πληροφοριών, οι οποίες χρειάζονται σε μια δεδομένη κατάσταση.

Γενικές οδηγίες ασφαλείας



ΠΡΟΕΙΔΟΠΟΙΗΣΗ:

Προτού χρησιμοποιήσετε το προϊόν, διαβάστε τις παρακάτω προειδοποιητικές οδηγίες.

- Αυτό το προϊόν είναι επικίνδυνο αν δεν χρησιμοποιηθεί σωστά ή αν δεν είστε προσεκτικοί. Αν δεν τηρείτε τις οδηγίες ασφαλείας, μπορεί να προκληθεί τραυματισμός ή θάνατος.
- Αυτό το προϊόν παράγει ηλεκτρομαγνητικό πεδίο κατά τη λειτουργία του. Το πεδίο αυτό, υπό ορισμένες συνθήκες, μπορεί να

- προκαλέσει παρεμβολές σε ενεργά ή παθητικά ιατρικά εμφυτεύματα. Για να μειωθεί ο κίνδυνος σοβαρών ή θανατηφόρων τραυματισμών, συνιστούμε στα άτομα με ιατρικά εμφυτεύματα να συμβουλευονται το θεράποντα ιατρό τους και τον κατασκευαστή του ιατρικού εμφυτεύματος, προτού θέσουν το προϊόν σε λειτουργία.
- Πρέπει πάντα να προσέχετε και να χρησιμοποιείτε την κοινή λογική. Αν δεν είστε βέβαιοι πώς να χειριστείτε το προϊόν σε μια ιδιαίτερη κατάσταση, σταματήστε και μιλήστε με τον αντιπρόσωπο της Husqvarna προτού συνεχίσετε.
 - Πρέπει να θυμάστε ότι ο χειριστής θεωρείται υπεύθυνος για ατυχήματα που μπορεί να προκληθούν σε άλλα άτομα ή στην περιουσία τους.
 - Να διατηρείτε το προϊόν καθαρό. Βεβαιωθείτε ότι μπορείτε να διαβάσετε καθαρά τις ενδείξεις και τα σήματα.
 - Μην επιτρέπετε ποτέ σε παιδιά ή άλλα άτομα, που δεν έχουν εξοικειωθεί με αυτές τις οδηγίες, να χρησιμοποιήσουν τη συσκευή. Οι τοπικές διατάξεις μπορεί να θέτουν

περιορισμούς στην ηλικία του χρήστη

- Αν το προϊόν χρησιμοποιείται από ένα άτομο με μειωμένη σωματική ή διανοητική ικανότητα, θα πρέπει πάντα να το επιβλέπετε. Πρέπει να είναι παρών ένας υπεύθυνος ενήλικας ανά πάσα στιγμή.
- Μην χρησιμοποιείτε το προϊόν αν είστε κουρασμένοι, άρρωστοι ή υπό την επήρεια αλκοόλ, ναρκωτικών ή φαρμάκων. Αυτά έχουν αρνητικές συνέπειες στην όραση, την αυτοσυγκέντρωση, τον συντονισμό και την κρίση σας.
- Μην χρησιμοποιείτε το προϊόν αν είναι ελαττωματικό.
- Μην τροποποιείτε το προϊόν και μην το χρησιμοποιείτε αν είναι εμφανές ότι έχει τροποποιηθεί από άλλους.

Ασφάλεια στο χώρο εργασίας



ΠΡΟΕΙΔΟΠΟΙΗΣΗ:

Προτού χρησιμοποιήσετε το προϊόν, διαβάστε τις παρακάτω προειδοποιητικές οδηγίες.

- Αφαιρέστε αντικείμενα όπως κλαδιά, κλωνάρια και πέτρες από την περιοχή εργασίας

- πριν χρησιμοποιήσετε το προϊόν.
- Τα αντικείμενα που χτυτούν πάνω στον εξοπλισμό κοπής μπορεί να πεταχτούν και να προκαλέσουν ζημιές σε πρόσωπα και αντικείμενα. Να διατηρείτε τους παρευρισκόμενους και τα ζώα σε απόσταση ασφαλείας από το προϊόν.
 - Μην χρησιμοποιείτε ποτέ το προϊόν σε κακές καιρικές συνθήκες, όπως ομίχλη, βροχή, ισχυρό άνεμο, έντονο κρύο και κίνδυνο κεραυνού. Η χρήση του προϊόντος σε κακές καιρικές συνθήκες, σε συνθήκες υγρασίας ή σε υγρές τοποθεσίες είναι εξαιρετικά κουραστική. Οι κακές καιρικές συνθήκες μπορεί να προκαλέσουν επικίνδυνες καταστάσεις, όπως ολισθηρές επιφάνειες.
 - Να προσέχετε για πρόσωπα, αντικείμενα και καταστάσεις που μπορεί να αποτρέψουν την ασφαλή λειτουργία του προϊόντος.
 - Να προσέχετε για εμπόδια, όπως ρίζες, πέτρες, κλωνάρια, λακκούβες και χαντάκια. Το μακρύ γρασίδι μπορεί να κρύβει εμπόδια.

- Η κοπή χόρτου σε πλαγιές μπορεί να είναι επικίνδυνη. Μην εκτελείτε χλοοκοπή σε υπερβολικά απότομες πλαγιές. Μην χρησιμοποιείτε το προϊόν σε πλαγιές με κλίση πάνω από 15°.
- Απαιτείται ιδιαίτερη προσοχή κατά την αλλαγή κατεύθυνσης σε πλαγιές. Να κατευθύνετε το προϊόν κατά πλάτος στις επιφάνειες με κλίση. Να μην μετακινείστε προς τα πάνω και προς τα κάτω.
- Να είστε ιδιαίτερα προσεκτικοί κοντά σε κρυφές γωνίες και αντικείμενα που εμποδίζουν το οπτικό σας πεδίο.

Ασφάλεια στην εργασία



ΠΡΟΕΙΔΟΠΟΙΗΣΗ:

Προτού χρησιμοποιήσετε το προϊόν, διαβάστε τις παρακάτω προειδοποιητικές οδηγίες.

- Να χρησιμοποιείτε το προϊόν μόνο για την κοπή χόρτου γκαζόν. Δεν επιτρέπεται η χρήση του για άλλες εργασίες.
- Χρησιμοποιείτε ατομικό προστατευτικό εξοπλισμό. Ανατρέξτε στην ενότητα *Προσωπικός εξοπλισμός προστασίας στη σελίδα 140.*

- Βεβαιωθείτε ότι γνωρίζετε πώς να σταματήσετε τον κινητήρα γρήγορα σε περίπτωση έκτακτης ανάγκης.
- Μην χρησιμοποιείτε το προϊόν σε συνθήκες βροχής ή υγρασίας. Αν εισέλθει νερό στο προϊόν, αυξάνεται ο κίνδυνος ηλεκτροπληξίας.
- Μην λειτουργείτε το προϊόν αν δεν είναι σωστά συνδεδεμένη η λεπίδα και όλα τα καλύμματα. Αν η λεπίδα δεν είναι σωστά συνδεδεμένη, μπορεί να χαλαρώσει και να προκληθεί προσωπικός τραυματισμός.
- Να βεβαιώνετε ότι ο δίσκος δεν χτυπάει αντικείμενα, όπως πέτρες και ρίζες. Αυτό μπορεί να προκαλέσει ζημιά στη λεπίδα και να λυγίσει τον άξονα του κινητήρα. Ο λυγισμένος άξονας προκαλεί ισχυρή δόνηση και πολύ υψηλό κίνδυνο χαλάρωσης της λεπίδας.
- Σε περίπτωση πρόσκρουσης της λεπίδας σε αντικείμενο ή αν διαπιστώσετε κραδασμούς, διακόψτε αμέσως τη λειτουργία του προϊόντος. Σβήστε τον κινητήρα, γυρίστε το κλειδί ασφαλείας στη θέση "0" και αφαιρέστε την μπαταρία. Ελέγξτε το προϊόν για ζημιές. Επισκευάστε τις ζημιές ή αναθέστε την επισκευή σε έναν εξουσιοδοτημένο αντιπρόσωπο σέρβις.
- Μην συνδέετε ποτέ μόνιμα τη λαβή φρένου του κινητήρα στη λαβή όταν έχει εκκινηθεί ο κινητήρας.
- Τοποθετήστε το προϊόν σε μια σταθερή, επίπεδη επιφάνεια και εκκινήστε το. Να βεβαιώνετε ότι η λεπίδα δεν χτυπάει στο έδαφος ή σε άλλα αντικείμενα.
- Να παραμένετε πάντα πίσω από το προϊόν κατά τη λειτουργία.
- Κατά τη λειτουργία του προϊόντος, θα πρέπει όλοι οι τροχοί να ακουμπούν στο έδαφος και να διατηρείτε και τα 2 χέρια πάνω στη λαβή. Διατηρήστε τα χέρια και τα πόδια σας μακριά από τις περιστρεφόμενες λεπίδες.
- Μην γέρνετε το προϊόν όταν έχει εκκινηθεί ο κινητήρας.
- Να είστε προσεκτικοί όταν τραβάτε το προϊόν προς τα πίσω.
- Μην ανασηκώνετε ποτέ το προϊόν όταν έχει εκκινηθεί ο κινητήρας. Αν πρέπει να ανασηκώσετε το προϊόν, σβήστε πρώτα τον κινητήρα, γυρίστε το κλειδί ασφαλείας

- στη θέση "0" και αφαιρέστε την μπαταρία.
- Μην περπατάτε προς τα πίσω όταν χρησιμοποιείτε το προϊόν.
 - Σβήστε τον κινητήρα όταν κινείστε σε περιοχές χωρίς χόρτα, για παράδειγμα μονοπάτια από χαλίκι, πέτρα και άσφαλτο.
 - Μην τρέχετε με το προϊόν όταν έχει εκκινηθεί ο κινητήρας. Να περπατάτε πάντα προς τα εμπρός όταν χρησιμοποιείτε το προϊόν.
 - Σβήστε τον κινητήρα προτού αλλάξετε το ύψος κοπής. Μην προβαίνετε ποτέ σε ρυθμίσεις ενώ έχει εκκινηθεί ο κινητήρας.
 - Μην αφήνετε ποτέ το προϊόν εκτός του οπτικού σας πεδίου ενώ έχει εκκινηθεί ο κινητήρας. Βεβαιωθείτε ότι ο εξοπλισμός κοπής δεν περιστρέφεται, προτού σβήσετε τον κινητήρα.

Οδηγίες ασφαλείας για τη λειτουργία

Προσωπικός εξοπλισμός προστασίας



ΠΡΟΕΙΔΟΠΟΙΗΣΗ:
Προτού χρησιμοποιήσετε το προϊόν, διαβάστε τις παρακάτω προειδοποιητικές οδηγίες.

- Ο προσωπικός εξοπλισμός προστασίας δεν μπορεί να εξαλείψει τον κίνδυνο τραυματισμών, ωστόσο μειώνει τη σοβαρότητά τους σε περίπτωση ατυχήματος. Ο αντιπρόσωπος θα σας βοηθήσει να επιλέξετε το σωστό εξοπλισμό.
- Να χρησιμοποιείτε αντιολισθητικές μπότες ή παπούτσια βαρέος τύπου. Να μην χρησιμοποιείτε το προϊόν με ανοιχτά παπούτσια ή ξυπόλυτοι.
- Χρησιμοποιήστε χοντρά, μακριά παντελόνια.
- Όταν χρειάζεται, να χρησιμοποιείτε προστατευτικά γάντια, για παράδειγμα κατά την τοποθέτηση, την επιθεώρηση ή τον καθαρισμό του εξοπλισμού κοπής.

Συσκευές ασφαλείας στο προϊόν



ΠΡΟΕΙΔΟΠΟΙΗΣΗ:

Προτού χρησιμοποιήσετε το προϊόν, διαβάστε τις παρακάτω προειδοποιητικές οδηγίες.

- Μην χρησιμοποιείτε ποτέ το προϊόν, αν υπάρχουν ελαττωματικές συσκευές ασφαλείας.

- Πρέπει να κάνετε τακτικά έλεγχο των συσκευών ασφαλείας. Αν οι συσκευές ασφαλείας είναι ελαττωματικές, απευθυνθείτε στον αντιπρόσωπο σέρβις της Husqvarna.

Για τον έλεγχο του καλύμματος κοπής

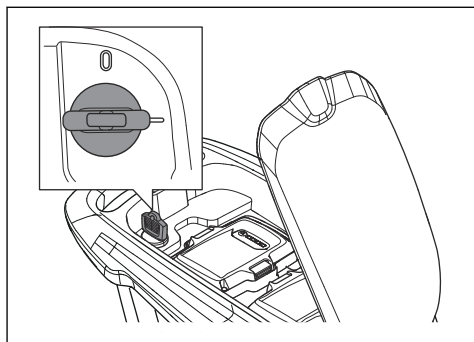
Το κάλυμμα κοπής μειώνει τους κραδασμούς στο προϊόν και μειώνεται ο κίνδυνος τραυματισμού από τη λεπίδα.

- Εξετάστε το κάλυμμα κοπής για να βεβαιωθείτε ότι δεν υπάρχουν φθορές όπως ρωγμές.

Κλειδί ασφαλείας

Το κλειδί ασφαλείας βρίσκεται κάτω από το καπάκι της μπαταρίας. Το κλειδί ασφαλείας συνδέει την μπαταρία που τροφοδοτεί με ρεύμα τον κινητήρα.

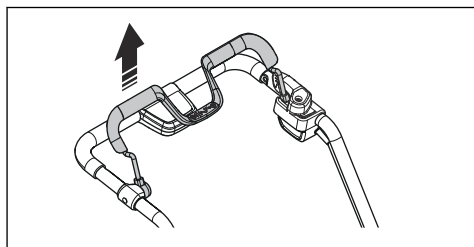
- Για να ελέγξετε το κλειδί ασφαλείας, εκκινήστε και σβήστε τον κινητήρα.
- Αν το κλειδί ασφαλείας λειτουργεί σωστά, ο κινητήρας μπορεί να εκκινηθεί μόνο όταν το κλειδί ασφαλείας βρίσκεται στη θέση 1.



Λαβή φρένου κινητήρα

Χρησιμοποιήστε τη λαβή φρένου του κινητήρα, για να σβήσετε τον κινητήρα. Εάν απελευθερώσετε τη λαβή φρένου του κινητήρα, ο κινητήρας σβήνει.

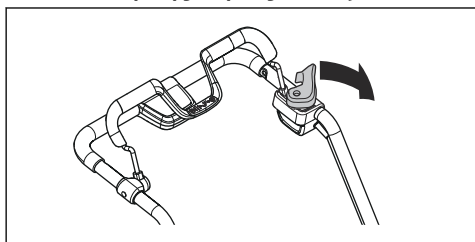
Για να ελέγξετε το φρένο του κινητήρα, εκκινήστε τον κινητήρα και, στη συνέχεια, απελευθερώστε τη λαβή φρένου του κινητήρα. Αν ο κινητήρας δεν σβήσει εντός 3 δευτερολέπτων, απευθυνθείτε σε έναν εγκεκριμένο αντιπρόσωπο σέρβις της Husqvarna για τη ρύθμιση του φρένου του κινητήρα.



Έλεγχος αναστολέα εκκίνησης

Ελέγξτε τον αναστολέα εκκίνησης για να βεβαιωθείτε ότι εμποδίζει τη λειτουργία του κινητήρα.

1. Σπρώξτε τη λαβή φρένου του κινητήρα προς την κατεύθυνση της χειρολαβής. Ο αναστολέας εκκίνησης σταματά να κινείται.
2. Σπρώξτε τον αναστολέα εκκίνησης προς τα έξω.



3. Αφήστε τον αναστολέα εκκίνησης και βεβαιωθείτε ότι επιστρέφει στην αρχική του θέση.

Ασφάλεια μπαταρίας



ΠΡΟΕΙΔΟΠΟΙΗΣΗ:

Προτού χρησιμοποιήσετε το προϊόν, διαβάστε τις παρακάτω προειδοποιητικές οδηγίες.

- Χρησιμοποιείτε επαναφορτιζόμενες μπαταρίες της Husqvarna ως πηγή

ηλεκτρικής ισχύος μόνο για τα σχετικά προϊόντα της Husqvarna. Για την αποφυγή τραυματισμών, μην χρησιμοποιείτε την μπαταρία ως πηγή ηλεκτρικής ισχύος για άλλες συσκευές.

- Μην χρησιμοποιείτε μη επαναφορτιζόμενες μπαταρίες.
- Κίνδυνος ηλεκτροπληξίας. Μη συνδέετε τους ακροδέκτες της μπαταρίας σε κλειδιά, νομίσματα, βίδες ή άλλα μεταλλικά αντικείμενα. Αυτό μπορεί να προκαλέσει βραχυκύκλωμα της μπαταρίας.
- Μην τοποθετείτε αντικείμενα μέσα στις εγκοπές αερισμού της μπαταρίας.
- Διατηρείτε την μπαταρία μακριά από την ηλιακή ακτινοβολία, τη θερμότητα ή τις γυμνές φλόγες. Η μπαταρία μπορεί να εκραγεί και να προκαλέσει εγκαύματα ή/και χημικά εγκαύματα.
- Διατηρείτε την μπαταρία μακριά από συνθήκες βροχής και υγρασίας.
- Διατηρείτε την μπαταρία μακριά από πηγές μικροκυμάτων και υψηλής πίεσης.
- Μην προσπαθήσετε να αποσυναρμολογήσετε ή να διαλύσετε την μπαταρία.

- Αν η μπαταρία εμφανίσει διαρροή, φροντίστε το υγρό να μην έρθει σε επαφή με το δέρμα ή τα μάτια σας. Αν έρθετε σε επαφή με το υγρό, καθαρίστε την περιοχή με μεγάλη ποσότητα νερού και ζητήστε ιατρική βοήθεια.
- Χρησιμοποιείτε την μπαταρία σε θερμοκρασίες μεταξύ -10 °C και 40 °C.
- Μην καθαρίζετε την μπαταρία ή το φορτιστή μπαταρίας με νερό. Ανατρέξτε στην ενότητα *Για να καθαρίσετε την μπαταρία και το φορτιστή μπαταρίας στη σελίδα 152.*
- Μην χρησιμοποιείτε ελαττωματικές ή κατεστραμμένες μπαταρίες.
- Φυλάσσετε τις μπαταρίες μακριά από μεταλλικά αντικείμενα, όπως καρφιά, νομίσματα και κοσμήματα.

Ασφάλεια φορτιστή μπαταρίας



ΠΡΟΕΙΔΟΠΟΙΗΣΗ:

Προτού χρησιμοποιήσετε το προϊόν, διαβάστε τις παρακάτω προειδοποιητικές οδηγίες.

- μόνο τις ανταλλακτικές μπαταρίες της Husqvarna.
- Κίνδυνος ηλεκτροπληξίας ή βραχυκυκλώματος. Μην τοποθετείτε αντικείμενα μέσα στις εγκοπές αερισμού του φορτιστή. Μην επιχειρείτε να αποσυναρμολογήσετε το φορτιστή μπαταρίας. Μην συνδέετε ποτέ τους ακροδέκτες του φορτιστή σε μεταλλικά αντικείμενα. Χρησιμοποιήστε μια εγκεκριμένη πρίζα.
- Αυτό το προϊόν παράγει ηλεκτρομαγνητικό πεδίο κατά τη λειτουργία του. Το πεδίο αυτό, υπό ορισμένες συνθήκες, μπορεί να προκαλέσει παρεμβολές σε ενεργά ή παθητικά ιατρικά εμφυτεύματα. Προκειμένου να μειωθεί ο κίνδυνος παθήσεων που μπορεί να προκαλέσουν τραυματισμό ή θάνατο, συνιστούμε στα άτομα με ιατρικά εμφυτεύματα να συμβουλευτούν το θεράποντα ιατρό τους και τον κατασκευαστή του ιατρικού εμφυτεύματος, πριν να θέσουν το προϊόν σε λειτουργία.
- Να βεβαιώνετε τακτικά ότι το καλώδιο ρεύματος του φορτιστή της μπαταρίας δεν έχει υποστεί ζημιά και ότι δεν παρουσιάζει ρωγμές.
- Χρησιμοποιείτε τους φορτιστές μπαταρίας QC για να φορτίζετε

- Μην σηκώνετε το φορτιστή μπαταρίας από το καλώδιο ρεύματος. Για να αποσυνδέσετε το φορτιστή της μπαταρίας από την πρίζα, τραβήξτε το βύσμα. Μην τραβάτε το καλώδιο.
- Διατηρείτε το καλώδιο ρεύματος και το καλώδιο επέκτασης μακριά από νερό, λάδι και αιχμηρές γωνίες. Βεβαιωθείτε ότι το καλώδιο δεν έχει μαγκώσει σε πόρτες, φράκτες ή παρόμοια σημεία. Μπορεί να προκληθεί κίνδυνος τροφοδοσίας ρεύματος στο φορτιστή.
- Μην καθαρίζετε τον φορτιστή μπαταρίας με νερό.
- Ο φορτιστής της μπαταρίας μπορεί να χρησιμοποιηθεί από παιδιά ηλικίας από 8 ετών και άνω και από άτομα με περιορισμένες σωματικές, αισθητήριες ή διανοητικές ικανότητες ή από άτομα χωρίς εμπειρία και γνώση, εφόσον τον χρησιμοποιούν υπό επίτηρηση ή έχουν λάβει οδηγίες σχετικά με την ασφαλή χρήση του και κατανοούν τους κινδύνους που ενέχονται. Τα παιδιά δεν πρέπει να παίζουν με το φορτιστή της μπαταρίας. Τα παιδιά δεν πρέπει να εκτελούν εργασίες καθαρισμού

και συντήρησης χωρίς επίβλεψη.

- Μην φορτίζετε μη επαναφορτιζόμενες μπαταρίες με το φορτιστή της μπαταρίας.
- Μη χρησιμοποιείτε το φορτιστή μπαταρίας κοντά σε εύφλεκτα υλικά ή υλικά που μπορούν να προκαλέσουν διάβρωση. Μην καλύπτετε το φορτιστή μπαταρίας. Σε περίπτωση έκλυσης καπνού ή πυρκαγιάς, βγάλτε το φορτιστή μπαταρίας από την πρίζα.
- Μη χρησιμοποιείτε φορτιστή μπαταρίας που παρουσιάζει ελάττωμα ή έχει υποστεί ζημιά.
- Φορτίζετε την μπαταρία μόνο σε εσωτερικό και καλά αεριζόμενο χώρο μακριά από την ηλιακή ακτινοβολία. Μην φορτίζετε την μπαταρία σε συνθήκες υγρασίας.

Οδηγίες ασφαλείας για τη συντήρηση



ΠΡΟΕΙΔΟΠΟΙΗΣΗ:

Προτού χρησιμοποιήσετε το προϊόν, διαβάστε τις παρακάτω προειδοποιητικές οδηγίες.

- Για την αποφυγή ακούσιας εκκίνησης κατά τις εργασίες συντήρησης, γυρίστε το κλειδί

- ασφαλείας στη θέση "0" και αφαιρέστε την μπαταρία. Περιμένετε τουλάχιστον για 5 δευτερόλεπτα προτού ξεκινήσετε τις εργασίες συντήρησης.
- Να εκτελείτε σωστά τις εργασίες συντήρησης για να αυξήσετε τη διάρκεια ζωής του προϊόντος και να μειώσετε τον κίνδυνο ατυχημάτων. Να αναθέτετε τις επαγγελματικές επισκευές σε έναν εγκεκριμένο αντιπρόσωπο σέρβις. Επικοινωνήστε με τον πλησιέστερο αντιπρόσωπο σέρβις για περισσότερες πληροφορίες.
 - Να πραγματοποιείτε μόνο τις εργασίες συντήρησης που περιλαμβάνονται στο παρόν εγχειρίδιο χρήσης. Οι εκτεταμένες εργασίες πρέπει να εκτελούνται από εγκεκριμένο αντιπρόσωπο σέρβις.
 - Φοράτε ανθεκτικά γάντια όταν χρησιμοποιείτε τον εξοπλισμό κοπής. Η λεπίδα είναι πολύ κοφτερή και μπορεί εύκολα να κοπείτε.
 - Διατηρείτε την κοπτική ακμή αιχμηρή και καθαρή για καλύτερη απόδοση και μεγαλύτερη ασφάλεια.
 - Να αναθέτετε στον αντιπρόσωπο σέρβις να ελέγχει συχνά το προϊόν και να κάνει τις απαραίτητες ρυθμίσεις και επισκευές.
 - Να αντικαθιστάτε τυχόν κατεστραμμένα, φθαρμένα ή σπασμένα εξαρτήματα.
 - Τηρείτε τις οδηγίες για την αλλαγή των αξεσουάρ. Χρησιμοποιήστε μόνο αξεσουάρ του κατασκευαστή.
 - Αποθηκεύετε το προϊόν, την μπαταρία και τον φορτιστή μπαταρίας ξεχωριστά σε κλειδωμένο εσωτερικό χώρο χωρίς υγρασία, όταν δεν τα χρησιμοποιείτε. Βεβαιωθείτε ότι τα παιδιά και τα μη εξουσιοδοτημένα άτομα δεν έχουν πρόσβαση στο προϊόν, την μπαταρία ή τον φορτιστή μπαταρίας.

Συναρμολόγηση

Εισαγωγή



ΠΡΟΕΙΔΟΠΟΙΗΣΗ: Πριν συναρμολογήσετε το προϊόν, διαβάστε το κεφάλαιο για την ασφάλεια.

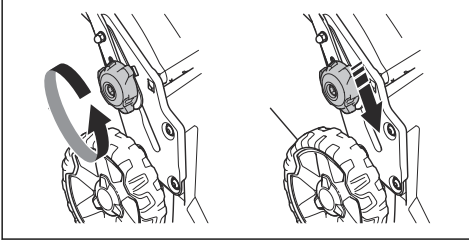


ΠΡΟΕΙΔΟΠΟΙΗΣΗ: Για την αποφυγή ακούσιας εκκίνησης κατά τη συναρμολόγηση, γυρίστε το κλειδί ασφαλείας στη θέση "0", αφαιρέστε την

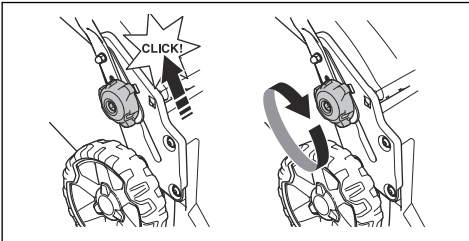
μπαταρία και περιμένετε τουλάχιστον για 5 δευτερόλεπτα.

Ρύθμιση της λαβής

1. Χαλαρώστε τις κάτω χειρόβιδες.
2. Μετακινήστε τους μοχλούς στο κατώτερο άκρο των αυλακώσεων από την αριστερή και τη δεξιά πλευρά του προϊόντος.



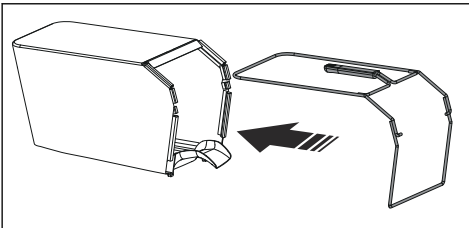
3. Ρυθμίστε το ύψος της χειρολαβής σε μία από τις 2 διαθέσιμες θέσεις.
4. Μετακινήστε τους μοχλούς προς την κατεύθυνση της χειρολαβής μέχρι να σταματήσουν και να ακούσετε ένα κλικ.



5. Σφίξτε πλήρως τις χειρόβιδες.

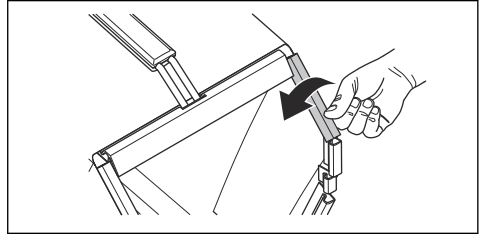
Συναρμολόγηση του συλλέκτη χόρτου

1. Τοποθετήστε το πλαίσιο συλλέκτη χόρτου στον σάκο χόρτου με το άκαμπο τμήμα του σάκου να ακουμπά στο έδαφος. Κρατήστε τη λαβή του πλαισίου στο επάνω μέρος του σάκου χόρτου.

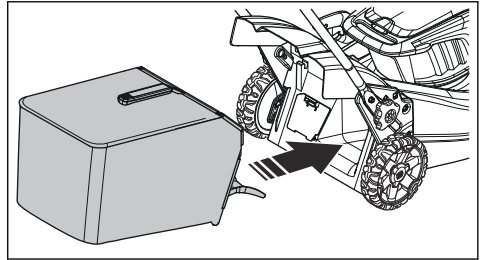


2. Τοποθετήστε το κάτω τμήμα του πλαισίου του συλλέκτη χόρτου στην εγκοπή στο κάτω μέρος του συλλέκτη χόρτου.

3. Στερεώστε τον σάκο χόρτου στο πλαίσιο του συλλέκτη χόρτου με τα κλιπ.

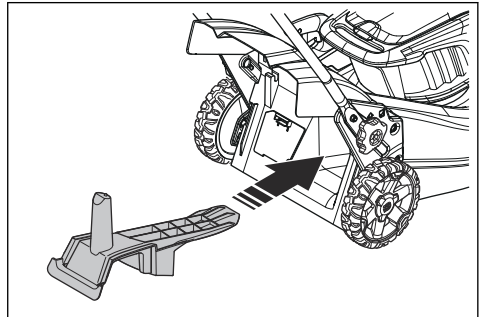


4. Ανασηκώστε το πίσω κάλυμμα.
5. Συνδέστε το συλλέκτη χόρτου στο επάνω άκρο του σασί.
6. Τοποθετήστε το κάτω τμήμα του συλλέκτη χόρτου στο κανάλι εκτόξευσης γρασιδιού.



Συναρμολόγηση του πώματος χορτολιπάσματος (αξεσουάρ)

1. Ανασηκώστε το πίσω κάλυμμα και αφαιρέστε το συλλέκτη χόρτου.
2. Τοποθετήστε το πώμα χορτολιπάσματος μέσα στο κανάλι εκτόξευσης.



3. Αντικαταστήστε τη λεπίδα με τη λεπίδα χορτολιπάσματος που παρέχεται στο κιτ χορτολιπάνσης. Ανατρέξτε στην ενότητα *Αφαίρεση και επανατοποθέτηση της λεπίδας* στη σελίδα 153.

Εισαγωγή



ΠΡΟΕΙΔΟΠΟΙΗΣΗ: Προτού χρησιμοποιήσετε το προϊόν, πρέπει να διαβάσετε και να κατανοήσετε το κεφάλαιο για την ασφάλεια.

Husqvarna Connect

Η Husqvarna Connect είναι μια δωρεάν εφαρμογή για τη φορητή συσκευή σας. Η εφαρμογή Husqvarna Connect παρέχει εκτεταμένες λειτουργίες για το προϊόν σας Husqvarna:

- Περισσότερες πληροφορίες για το προϊόν.
- Πληροφορίες και βοήθεια για τα ανταλλακτικά και το σέρβις του προϊόντος.

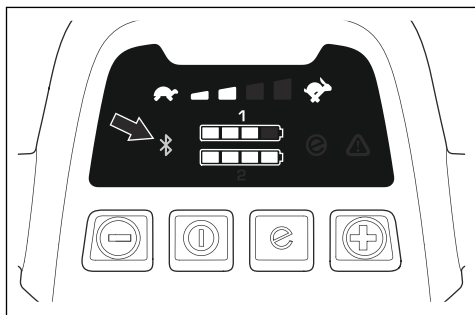
Για να αρχίσετε να χρησιμοποιείτε το προϊόν Husqvarna Connect

1. Κατεβάστε την εφαρμογή Husqvarna Connect στη φορητή συσκευή σας.
2. Εγγραφείτε στην εφαρμογή Husqvarna Connect.
3. Ακολουθήστε τα βήματα με τις οδηγίες που θα βρείτε στην εφαρμογή Husqvarna Connect για να συνδέσετε και να δηλώσετε το προϊόν.

Πληροφορίες Bluetooth® (LC 247iX, LC 347iVX, LC 353iVX)

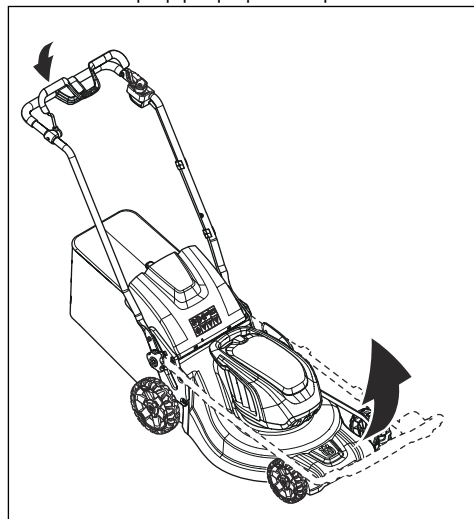
Ασύρματη τεχνολογία Bluetooth®

Το σύμβολο της ασύρματης τεχνολογίας *Bluetooth*® ανάβει όταν η συσκευή κινητού τηλεφώνου είναι συνδεδεμένη στο προϊόν.

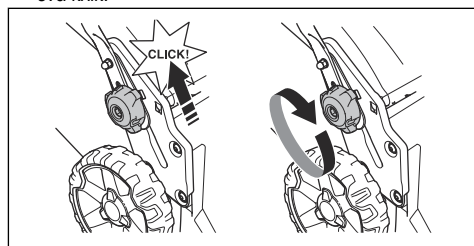


Για να ρυθμίσετε το προϊόν στη θέση λειτουργίας

1. Διπλώστε τη λαβή στην όρθια θέση.



2. Μετακινήστε τους μοχλούς προς την κατεύθυνση της χειρολαβής μέχρι να σταματήσουν και να ακούσετε ένα κλικ.



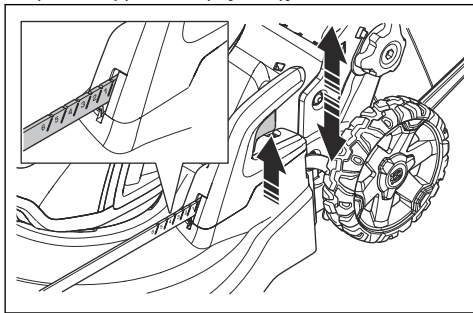
3. Σφίξτε πλήρως τους τροχίσκους.

Ρύθμιση του ύψους κοπής

Το ύψος κοπής μπορεί να ρυθμιστεί σε 6 διαφορετικές θέσεις.

1. Μετακινήστε τον μοχλό ύψους κοπής προς τα κάτω για να μειώσετε το ύψος κοπής.

2. Μετακινήστε τον μοχλό ύψους κοπής προς τα επάνω για να αυξήσετε το ύψος κοπής.



ΠΡΟΣΟΧΗ: Μην ρυθμίζετε το ύψος κοπής πολύ χαμηλά. Οι λεπίδες μπορεί να χτυπήσουν στο έδαφος αν η επιφάνεια του χλοοτάπητα δεν είναι επίπεδη.

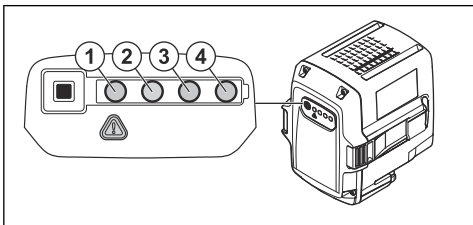
Μπαταρία



ΠΡΟΕΙΔΟΠΟΙΗΣΗ: Προτού χρησιμοποιήσετε την μπαταρία, πρέπει να διαβάσετε και να κατανοήσετε το κεφάλαιο σχετικά με την ασφάλεια. Πρέπει επίσης να διαβάσετε και να κατανοήσετε το εγχειρίδιο χρήσης για την μπαταρία και τον φορτιστή της μπαταρίας.

Κατάσταση μπαταρίας

Στην οθόνη εμφανίζονται η εναπομένουσα χωρητικότητα της μπαταρίας και τυχόν προβλήματα της μπαταρίας. Η χωρητικότητα της μπαταρίας εμφανίζεται για 5 δευτερόλεπτα μετά την απενεργοποίηση του προϊόντος ή το πάτημα του κουμπιού της ένδειξης μπαταρίας. Το προειδοποιητικό σύμβολο στην μπαταρία ανάβει όταν παρουσιαστεί σφάλμα. Ανατρέξτε στην ενότητα *Μπαταρία στη σελίδα 153*.



Ενδεικτικές λυχνίες LED	Κατάσταση μπαταρίας
Όλες οι ενδεικτικές λυχνίες LED είναι αναμμένες	Πλήρως φορτισμένη (75-100%)
Οι ενδεικτικές λυχνίες LED 1, LED 2, LED 3 είναι αναμμένες	Η μπαταρία είναι φορτισμένη κατά 50%-75%

Ενδεικτικές λυχνίες LED	Κατάσταση μπαταρίας
Οι ενδεικτικές λυχνίες LED 1, LED 2 είναι αναμμένες	Η μπαταρία είναι φορτισμένη κατά 25%-50%
Η ενδεικτική λυχνία LED 1 είναι αναμμένη	Η μπαταρία είναι φορτισμένη κατά 0%-25%
Η ενδεικτική λυχνία LED 1 αναβοσβήνει	Η μπαταρία είναι άδεια. Φορτίστε την μπαταρία.

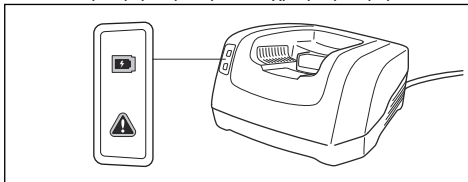
Φόρτιση της μπαταρίας

Φορτίστε την μπαταρία πριν από την πρώτη χρήση. Η μπαταρία είναι φορτισμένη μόνο κατά 30% όταν παρέχεται στον πελάτη.

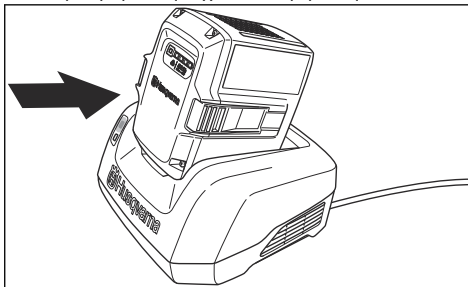
Περιεχόμενα Ο φορτιστής της μπαταρίας πρέπει να συνδέεται σε παροχή με τάση και συχνότητα ίδια με αυτή που ορίζεται στην πινακίδα στοιχείων.

Η φόρτιση της μπαταρίας δεν είναι δυνατή αν η θερμοκρασία της μπαταρίας είναι μεγαλύτερη από 50 °C. Ο φορτιστής της μπαταρίας μειώνει τη θερμοκρασία πριν ξεκινήσει η φόρτιση.

1. Συνδέστε το ένα άκρο του καλωδίου ρεύματος του φορτιστή μπαταρίας στην υποδοχή του φορτιστή μπαταρίας.
2. Συνδέστε το άλλο άκρο του καλωδίου ρεύματος του φορτιστή μπαταρίας σε μια γειωμένη πρίζα. Η ενδεικτική λυχνία LED στον φορτιστή της μπαταρίας θα αναβοσβήσει με πράσινο χρώμα μία φορά.



3. Τοποθετήστε την μπαταρία στο φορτιστή μπαταρίας. Όταν η μπαταρία συνδεθεί σωστά στον φορτιστή, ανάβει η πράσινη λυχνία στον φορτιστή.



4. Η μπαταρία είναι πλήρως φορτισμένη, όταν ανάψουν όλες οι λυχνίες LED στην μπαταρία. Ο μέγιστος χρόνος φόρτισης της μπαταρίας δεν θα πρέπει να υπερβαίνει τις 24 ώρες.

5. Για να αποσυνδέσετε τον φορτιστή της μπαταρίας από την πρίζα, τραβήξτε το φιν και όχι το καλώδιο.
6. Αφαιρέστε την μπαταρία από τον φορτιστή.

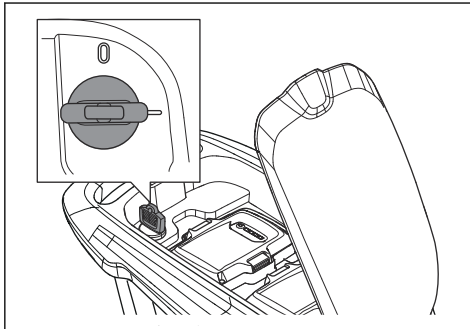
Κατάσταση φόρτισης της μπαταρίας

Μια μπαταρία ιόντων λιθίου της Husqvarna μπορεί να φορτιστεί ή να χρησιμοποιηθεί σε όλα τα επίπεδα φόρτισης. Δεν προκαλείται ζημιά στην μπαταρία. Μια πλήρως φορτισμένη μπαταρία δεν θα χάσει το φορτίο της όταν παραμείνει στον φορτιστή.

Οθόνη LED	Κατάσταση φόρτισης
Η ενδεικτική λυχνία LED 1 αναβοσβήνει	0%-25%
Η ενδεικτική λυχνία LED 1 είναι αναμμένη, η ενδεικτική λυχνία LED 2 αναβοσβήνει	25%-50%
Οι ενδεικτικές λυχνίες LED 1, LED 2 είναι αναμμένες, η ενδεικτική λυχνία LED 3 αναβοσβήνει	50%-75%
Οι ενδεικτικές λυχνίες LED 1, LED 2, LED 3 είναι αναμμένες, η ενδεικτική λυχνία LED 4 αναβοσβήνει	75%-100%
Οι λυχνίες LED 1, LED 2, LED 3, LED 4 είναι αναμμένες	Πλήρως φορτισμένη

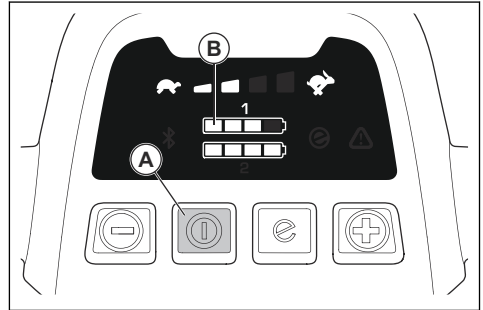
Εκκίνηση λειτουργίας του προϊόντος

1. Ανοίξτε το καπάκι της μπαταρίας.
2. Τοποθετήστε μια φορτισμένη μπαταρία σε μία από τις βάσεις μπαταρίας. Για μεγαλύτερη διάρκεια λειτουργίας, τοποθετήστε μια δεύτερη φορτισμένη μπαταρία στην άλλη βάση μπαταρίας.
3. Γυρίστε το κλειδί ασφαλείας στη θέση "1".

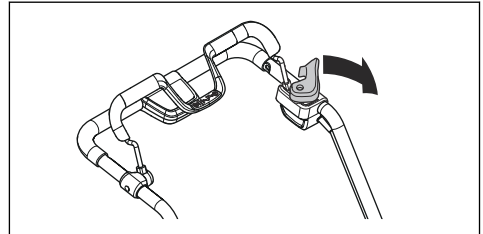


4. Να παραμένετε πίσω από το προϊόν.

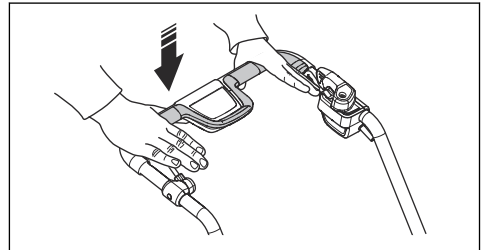
5. Πατήστε το κουμπί ON/OFF (A) στο ταμπλό ελέγχου. Η οθόνη ενδείξεων εμφανίζεται. Η ένδειξη της μπαταρίας (B) δείχνει το επίπεδο φόρτισης των 2 μπαταριών. Ο αριθμός της μπαταρίας που λειτουργεί εμφανίζεται δίπλα στην ένδειξη της μπαταρίας. Για τα μοντέλα LC 347iV, LC 347iVX, LC 353iV, LC 353iVX, η οθόνη ενδείξεων εμφανίζει επίσης τη ρυθμισμένη ταχύτητα.



6. Χαλαρώστε τον αναστολέα εκκίνησης.

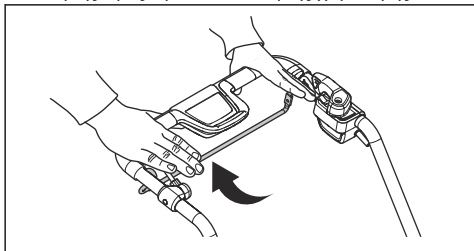


7. Σπρώξτε τη λαβή φρένου του κινητήρα προς την κατεύθυνση της χειρολαβής.

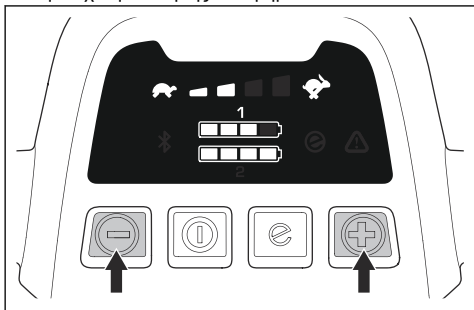


Χρήση της κίνησης στους τροχούς LC 347iV, LC 347iVX, LC 353iV, LC 353iVX

- Για να ξεκινήσετε την πορεία, τραβήξτε την ασφάλεια κίνησης προς την κατεύθυνση της χειρολαβής.



- Πατήστε + και - στο ταμπλό ελέγχου για να ρυθμίσετε την ταχύτητα κίνησης σε 4 βήματα.



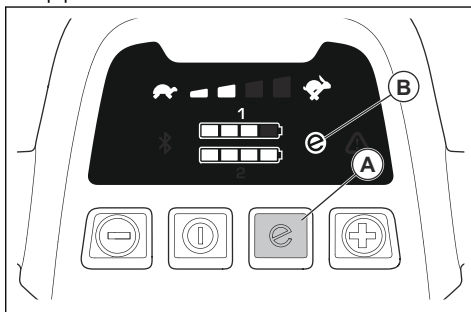
- Απελευθερώστε την ασφάλεια κίνησης για να αποδεσμεύσετε την κίνηση, για παράδειγμα όταν βρίσκεστε κοντά σε κάποιο εμπόδιο.

Για να χρησιμοποιήσετε τη λειτουργία

Το προϊόν διαθέτει μια λειτουργία εξοικονόμησης μπαταρίας () για μεγαλύτερη διάρκεια λειτουργίας.

1. Πατήστε το κουμπί (A) για να εκκινήσετε τη λειτουργία. Το σύμβολο (B) στην οθόνη ενδείξεων ανάβει.

2. Πατήστε ξανά το κουμπί για να διακόψετε τη λειτουργία. Το σύμβολο (B) στην οθόνη ενδείξεων σβήνει.



Η λειτουργία αυτόματα αν οι συνθήκες εδάφους απαιτούν υψηλότερη απόδοση. Η λειτουργία εκκινείται ξανά αυτόματα όταν το επιτρέψουν οι συνθήκες εδάφους.

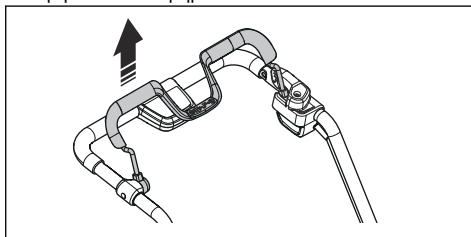
Λειτουργία υψηλού φορτίου

Οι σ.α.λ. του κινητήρα αυξάνονται αυτόματα, όταν το προϊόν κόβει μακρύ ή νωπό χορτάρι. Ο κινητήρας επιστρέφει σε κανονική λειτουργία όταν δεν απαιτείται υψηλό φορτίο.

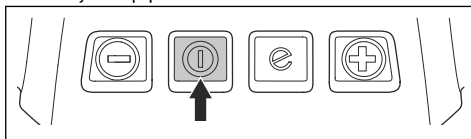
Διακοπή λειτουργίας του προϊόντος

Το προϊόν σταματά να λειτουργεί, αν δεν το χρησιμοποιήσετε για 10 λεπτά. Να γυρνάτε πάντα το κλειδί ασφαλείας στη θέση "0" προτού αφήσετε το προϊόν εκτός του οπτικού σας πεδίου.

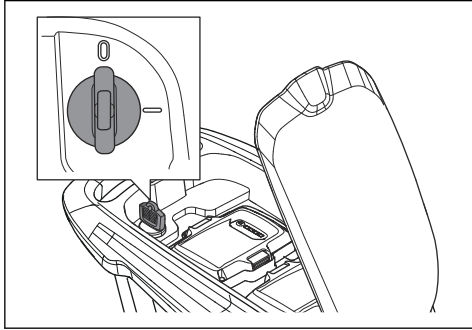
1. Απελευθερώστε τη λαβή φρένου του κινητήρα για να σβήσετε τον κινητήρα.



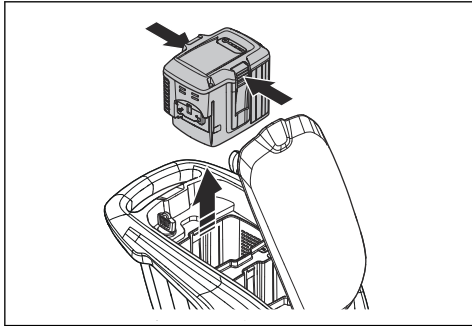
2. Πατήστε το κουμπί ON/OFF στο ταμπλό ελέγχου. Όλες οι λυχνίες LED και τα σύμβολα στην οθόνη ενδείξεων σβήνουν.



3. Ανοίξτε το καπάκι της μπαταρίας και γυρίστε το κλειδί ασφαλείας στη θέση "0".



4. Για να αφαιρέσετε την μπαταρία, πατήστε τα 2 κουμπιά απασφάλισης και τραβήξτε την μπαταρία προς τα έξω.



5. Φορτίστε την μπαταρία, αν η στάθμη φόρτισης είναι πολύ χαμηλή. Για περισσότερες πληροφορίες, ανατρέξτε στην ενότητα *Φόρτιση της μπαταρίας στη σελίδα 148*.

Για ένα καλό αποτέλεσμα

- Να χρησιμοποιείτε πάντα μια ακονισμένη λεπίδα. Η στομωμένη λεπίδα δίνει ένα ακανόνιστο αποτέλεσμα και η επιφάνεια κοπής του γρασιδιού γίνεται κίτρινη. Επίσης, η ακονισμένη λεπίδα χρησιμοποιεί λιγότερη ενέργεια από μια στομωμένη λεπίδα.
- Να μην κόβετε ποτέ πάνω από το 1/2 του μήκους του γρασιδιού. Να κόβετε πρώτα με το ύψος κοπής ρυθμισμένο σε υψηλό. Εξετάστε το αποτέλεσμα και χαμηλώστε το ύψος κοπής σε κατάλληλο επίπεδο. Αν το γρασίδι είναι πολύ μακρύ, οδηγήστε αργά και κόψτε 2 φορές, αν είναι απαραίτητο.
- Να κόβετε κάθε φορά σε διαφορετικές κατευθύνσεις για να αποφεύγετε τις ρίγες στο γκαζόν.

Κοπή χόρτου χωρίς τοποθέτηση συλλέκτη χόρτου ή πώματος χορτολιπάσματος

- Ανασηκώστε το πίσω κάλυμμα και αφαιρέστε τον συλλέκτη χόρτου.
- Αν έχουν τοποθετηθεί πώμα χορτολιπάσματος και λεπίδα χορτολιπανσης, αφαιρέστε τα.
- Κλείστε το πίσω κάλυμμα προτού χρησιμοποιήσετε το προϊόν.

Όταν χρησιμοποιείτε το προϊόν, το κομμένο χόρτο εκτοξεύεται κάτω από το πίσω κάλυμμα.

Συντήρηση

Εισαγωγή



ΠΡΟΕΙΔΟΠΟΙΗΣΗ: Προτού εκτελέσετε εργασίες συντήρησης, πρέπει να διαβάσετε και να κατανοήσετε το κεφάλαιο για την ασφάλεια.

Για όλες τις εργασίες συντήρησης και επισκευής στο προϊόν, είναι απαραίτητη ειδική εκπαίδευση. Μπορούμε να εγγυηθούμε για τη διαθεσιμότητα των επαγγελματικών επισκευών και τη συντήρηση. Αν ο

αντιπρόσωπός σας δεν είναι αντιπρόσωπος σέρβις, μιλήστε του για πληροφορίες σχετικά με τον πλησιέστερο αντιπρόσωπο σέρβις.

Πρόγραμμα συντήρησης

Τα διαστήματα συντήρησης υπολογίζονται με βάση την καθημερινή χρήση του προϊόντος. Τα διαστήματα αλλάζουν αν το προϊόν δεν χρησιμοποιείται καθημερινά.

Για τις εργασίες συντήρησης που προσδιορίζονται με *, βλ. οδηγίες στην ενότητα *Οδηγίες ασφαλείας για τη λειτουργία στη σελίδα 140*.

	Σε κάθε χρήση	Κάθε μήνα	Σε κάθε σεζόν
Εκτέλεση γενικής επιθεώρησης	X		
Καθαρισμός του προϊόντος	X		
Έλεγχος του αναστολέα εκκίνησης *	X		
Έλεγχος ότι οι συσκευές ασφαλείας στο προϊόν δεν είναι ελαττωματικές *	X		

	Σε κάθε χρήση	Κάθε μήνα	Σε κάθε σεζόν
Έλεγχος του εξοπλισμού κοπής	X		
Έλεγχος του καλύμματος κοπής *	X		
Έλεγχος της λαβής φρένου του κινητήρα *	X		
Έλεγχος ότι το κουμπί ON/OFF λειτουργεί σωστά και δεν είναι ελαττωματικό	X		
Έλεγχος της μπαταρίας για τυχόν ζημιές	X		
Έλεγχος της φόρτισης της μπαταρίας	X		
Έλεγχος ότι τα κουμπιά απασφάλισης της μπαταρίας λειτουργούν σωστά και ότι η μπαταρία ασφαλίζει σωστά στο προϊόν.	X		
Έλεγχος του φορτιστή μπαταρίας για τυχόν ζημιές και έλεγχος για σωστή λειτουργία.		X	
Έλεγχος των συνδέσεων μεταξύ της μπαταρίας και του προϊόντος. Επιπλέον, έλεγχος της σύνδεσης μεταξύ της μπαταρίας και του φορτιστή μπαταρίας.			X

Εκτέλεση γενικής επιθεώρησης

- Βεβαιωθείτε ότι τα παξιμάδια και οι βίδες πάνω στο προϊόν είναι σφιγμένα.
- Βεβαιωθείτε ότι τα καλώδια στο προϊόν δεν βρίσκονται σε σημείο όπου μπορούν να υποστούν ζημιά.

Καθαρισμός του προϊόντος

- Καθαρίζετε τα πλαστικά εξαρτήματα με καθαρό και στεγνό πανί.
- Μην χρησιμοποιείτε νερό για να καθαρίσετε το προϊόν. Το νερό μπορεί να εισχωρήσει στην μπαταρία ή στον κινητήρα και να προκαλέσει βραχυκύκλωμα ή ζημιά στο προϊόν.
- Μην χρησιμοποιείτε σύστημα πλύσης με υψηλή πίεση για να καθαρίσετε το προϊόν.
- Μην ρίχνετε νερό απευθείας επάνω στον κινητήρα.
- Χρησιμοποιήστε μια βούρτσα για να αφαιρέσετε φύλλα, γρασιδί και ακαθαρσίες.

Για να καθαρίσετε την μπαταρία και το φορτιστή μπαταρίας



ΠΡΟΣΟΧΗ: Μην καθαρίζετε την μπαταρία ή το φορτιστή μπαταρίας με νερό.

- Βεβαιωθείτε ότι η μπαταρία και ο φορτιστής είναι καθαροί και στεγνοί προτού τοποθετήσετε την μπαταρία στον φορτιστή.
- Καθαρίστε τους πόλους της μπαταρίας με πεπιεσμένο αέρα ή χρησιμοποιήστε μαλακό και στεγνό πανί.
- Καθαρίστε τις επιφάνειες της μπαταρίας και του φορτιστή της μπαταρίας με μαλακό και στεγνό πανί.

Έλεγχος εξοπλισμού κοπής



ΠΡΟΕΙΔΟΠΟΙΗΣΗ: Για την αποφυγή ακούσιας εκκίνησης, γυρίστε το κλειδί ασφαλείας στη θέση "0", αφαιρέστε την μπαταρία και περιμένετε τουλάχιστον για 5 δευτερόλεπτα.



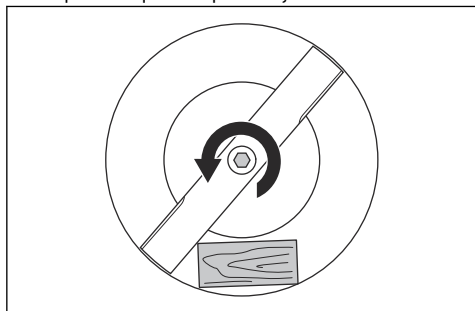
ΠΡΟΕΙΔΟΠΟΙΗΣΗ: Να χρησιμοποιείτε προστατευτικά γάντια όταν κάνετε συντήρηση του εξοπλισμού κοπής. Η λεπίδα είναι πολύ κοφτερή και μπορεί εύκολα να κοπείτε.

1. Ελέγξτε τον εξοπλισμό κοπής για ζημιές ή ρωγμές. Πρέπει πάντα να αντικαταστήτε τον εξοπλισμό κοπής, αν έχει υποστεί ζημιά.
2. Κοιτάξτε τη λεπίδα για να δείτε εάν είναι φθαρμένη ή στομωμένη.

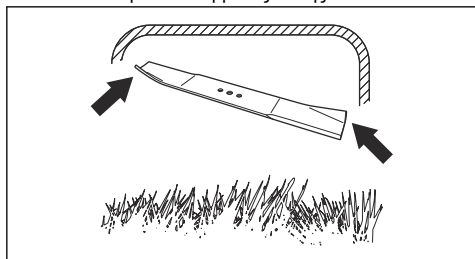
Περιεχόμενα Είναι απαραίτητο να ζυγοσταθμιστεί η λεπίδα μετά το ακόνισμα. Να αναθέτετε το ακόνισμα, την αντικατάσταση και τη ζυγοστάθμιση της λεπίδας σε ένα κέντρο σέρβις. Αν χτυπήσετε κάποιο εμπόδιο και σταματήσει το προϊόν, αντικαταστήστε τη φθαρμένη λεπίδα. Το κέντρο σέρβις θα αξιολογήσει αν η λεπίδα μπορεί να ακονιστεί ή πρέπει να αντικατασταθεί.

Αφαίρεση και επανατοποθέτηση της λεπίδας

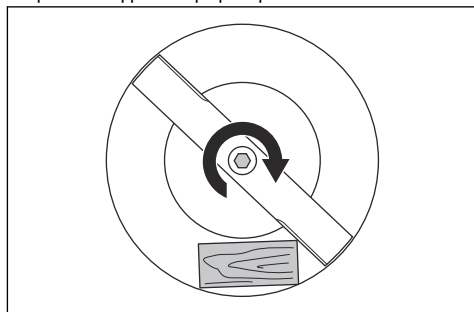
1. Ασφαλίστε τη λεπίδα με έναν ξύλινο τάκο.



2. Αφαιρέστε τη βίδα της λεπίδας.
3. Αφαιρέστε τη λεπίδα.
4. Εξετάστε την υποστήριξη και τη βίδα της λεπίδας για να δείτε εάν υπάρχουν φθορές.
5. Βεβαιωθείτε ότι ο άξονας του κινητήρα δεν είναι λυγισμένος.
6. Όταν συνδέετε μια καινούργια λεπίδα, στρέψτε τα άκρα της λεπίδας που σχηματίζουν γωνία προς την κατεύθυνση του καλύμματος κοπής.



7. Βεβαιωθείτε ότι η λεπίδα είναι ευθυγραμμισμένη με το κέντρο του άξονα του κινητήρα.
8. Ασφαλίστε τη λεπίδα με έναν ξύλινο τάκο. Τοποθετήστε την ελατηριωτή ροδέλα και σφίξτε τη βίδα και τη ροδέλα με ροπή 23–28 Nm.



9. Περιστρέψτε τη λάμα με το χέρι και βεβαιωθείτε ότι μπορεί να περιστραφεί χωρίς προβλήματα.



ΠΡΟΕΙΔΟΠΟΙΗΣΗ: Να χρησιμοποιείτε γάντια βαρέος τύπου. Η λεπίδα είναι πολύ κοφτερή και μπορεί εύκολα να κοπείτε.

10. Εκκινήστε το προϊόν για να δοκιμάσετε τη λεπίδα. Αν η λεπίδα δεν είναι σωστά συνδεδεμένη, θα υπάρχουν κραδασμοί στο προϊόν ή το αποτέλεσμα κοπής δεν θα είναι ικανοποιητικό.

Αντιμετώπιση προβλημάτων

Μπαταρία

Λυχνία LED στην μπαταρία	Πιθανά σφάλματα	Πιθανή διαδικασία
Η πράσινη λυχνία LED αναβοσβήνει	Η τάση της μπαταρίας είναι χαμηλή	Φορτίστε την μπαταρία. Ανατρέξτε στην ενότητα <i>Φόρτιση της μπαταρίας στη σελίδα 148.</i>

Λυχνία LED στην μπαταρία	Πιθανά σφάλματα	Πιθανή διαδικασία
Η λυχνία LED σφάλματος αναβοσβήνει	Η μπαταρία έχει χαμηλή στάθμη φόρτισης	Φορτίστε την μπαταρία. Ανατρέξτε στην ενότητα <i>Μπαταρία στη σελίδα 153</i> .
	Η θερμοκρασία στο περιβάλλον εργασίας είναι πολύ υψηλή ή πολύ χαμηλή	Χρησιμοποιήστε την μπαταρία σε θερμοκρασίες μεταξύ -10 °C και 40 °C.
	Υπέρταση	Ελέγξτε ότι η τάση παροχής ρεύματος είναι ίδια με εκείνη που αναγράφεται στην πινακίδα στοιχείων στο προϊόν. Αφαιρέστε την μπαταρία από το φορτιστή. Περιμένετε 5 δευτερόλεπτα και προσπαθήστε ξανά να φορτίσετε την μπαταρία. Αν το πρόβλημα παραμένει, επικοινωνήστε με έναν εξουσιοδοτημένο αντιπρόσωπο σέρβις.
Η λυχνία LED σφάλματος είναι αναμμένη	Υπερβολική διαφορά μεταξύ κυψελών (1 V)	Επικοινωνήστε με έναν εγκεκριμένο αντιπρόσωπο σέρβις.

Φορτιστής μπαταρίας

Λυχνία LED στον φορτιστή της μπαταρίας	Πιθανά σφάλματα	Πιθανή διαδικασία
Η λυχνία LED σφάλματος αναβοσβήνει	Η θερμοκρασία στο περιβάλλον εργασίας είναι πολύ υψηλή ή πολύ χαμηλή	Χρησιμοποιήστε τον φορτιστή της μπαταρίας σε θερμοκρασίες μεταξύ 5 °C και 40 °C.
Η λυχνία LED σφάλματος είναι αναμμένη		Επικοινωνήστε με έναν εγκεκριμένο αντιπρόσωπο σέρβις

Ταμπλό ελέγχου

Πληκτρολόγιο	Κωδικός σφάλματος (αριθμός αναβοσβησίματος)	Πιθανά σφάλματα	Πιθανή ενέργεια
Η λυχνία LED σφάλματος αναβοσβήνει	3	Ο κινητήρας έχει υπερφορτωθεί	Αυξήστε το ύψος κοπής. Ανατρέξτε στην ενότητα <i>Ρύθμιση του ύψους κοπής στη σελίδα 147</i> .
	5	Η ταχύτητα του κινητήρα μειώνεται υπερβολικά και ο κινητήρας σταματά	
	10	Το σύστημα ελέγχου του κινητήρα είναι πολύ ζεστό	Σταματήστε τον κινητήρα και περιμένετε μέχρι να κρυώσει
	2	Η λεπίδα έχει μπλοκάρει	Για την αποφυγή ακούσιας εκκίνησης, γυρίστε το κλειδί ασφαλείας στη θέση "0", αφαιρέστε την μπαταρία και περιμένετε τουλάχιστον για 5 δευτερόλεπτα. Βεβαιωθείτε ότι η λεπίδα μπορεί να περιστραφεί ελεύθερα. Αν το πρόβλημα παραμένει, επικοινωνήστε με έναν εξουσιοδοτημένο αντιπρόσωπο σέρβις
	9	Σφάλμα μπαταρίας ή δεν υπάρχει σήμα από την μπαταρία	Τοποθετήστε σωστά την μπαταρία στο προϊόν και ελέγξτε τον σύνδεσμο της μπαταρίας. Αν η λυχνία LED σφάλματος στην μπαταρία αναβοσβήνει. Ανατρέξτε στην ενότητα <i>Μπαταρία στη σελίδα 148</i> .
Το προϊόν σταματά να λειτουργεί	8	Η μπαταρία έχει χαμηλή στάθμη φόρτισης	Φορτίστε την μπαταρία. Ανατρέξτε στην ενότητα <i>Φόρτιση της μπαταρίας στη σελίδα 148</i> .
	0	Βλάβη συνδέσμου μπαταρίας	Ελέγξτε τον σύνδεσμο της μπαταρίας
Άλλα σφάλματα	Εάν προκύψουν άλλα σφάλματα, γυρίστε το κλειδί ασφαλείας στη θέση 0, αφαιρέστε την μπαταρία και απευθυνθείτε σε έναν εγκεκριμένο αντιπρόσωπο σέρβις.		

Μεταφορά, αποθήκευση και απόρριψη

Εισαγωγή

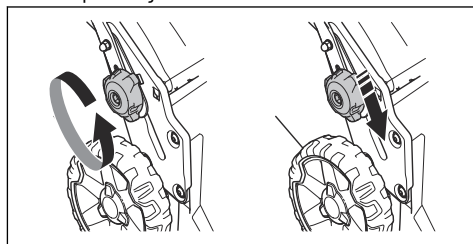


ΠΡΟΕΙΔΟΠΟΙΗΣΗ: Για την αποφυγή ακούσιας εκκίνησης κατά την μεταφορά, γυρίστε το κλειδί ασφαλείας στη θέση "0", αφαιρέστε την μπαταρία και περιμένετε τουλάχιστον για 5 δευτερόλεπτα.

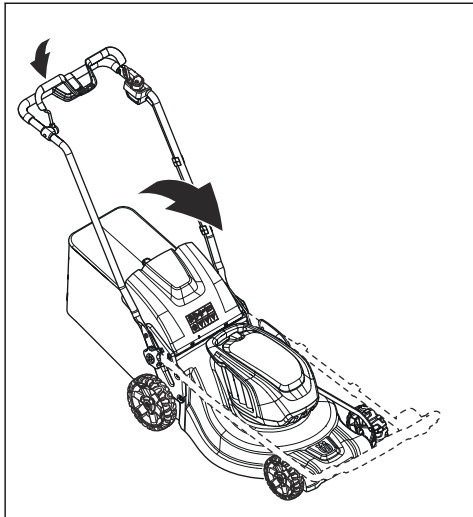
Ρύθμιση του προϊόντος στη θέση μεταφοράς

1. Χαλαρώστε τις κάτω χειρόβιδες.

2. Μετακινήστε τους μοχλούς στο κατώτερο άκρο των αυλακώσεων από την αριστερή και τη δεξιά πλευρά του προϊόντος.



3. Διπλώστε τη χειρολαβή προς τα εμπρός.



4. Αφαιρέστε τον συλλέκτη χόρτου.

Μεταφορά

- Οι απαιτήσεις της νομοθεσίας περί μεταφοράς επικίνδυνων εμπορευμάτων ισχύει για τις μπαταρίες ιόντων λιθίου που περιλαμβάνονται.
- Για τις εμπορικές μεταφορές πρέπει να τηρούνται οι ειδικές απαιτήσεις που αναγράφονται στη συσκευασία και στις ετικέτες.
- Βεβαιωθείτε ότι τηρείτε τους κανονισμούς για επικίνδυνα υλικά κατά τη μεταφορά του προϊόντος. Μπορεί να ισχύουν τοπικοί κανονισμοί.
- Για τη μεταφορά, πρέπει πάντα να αφαιρείτε την μπαταρία.
- Τοποθετήστε ταινία στους συνδέσμους της μπαταρίας και βεβαιωθείτε ότι η μπαταρία δεν μπορεί να μετακινηθεί κατά τη μεταφορά.
- Στερεώστε το προϊόν κατά τη μεταφορά.

Αποθήκευση

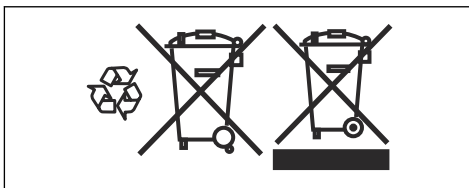
- Για την αποθήκευση, πρέπει πάντα να αφαιρείτε την μπαταρία.
- Για την αποφυγή ατυχημάτων, βεβαιωθείτε ότι η μπαταρία δεν είναι συνδεδεμένη στο προϊόν κατά την αποθήκευση.
- Αποθηκεύστε τον φορτιστή της μπαταρίας σε κλειστό χώρο χωρίς υγρασία.

- Αποθηκεύστε την μπαταρία και τον φορτιστή σε χώρο χωρίς υγρασία ή παγετό.
- Αποσυνδέστε την μπαταρία από τον φορτιστή προτού την αποθηκεύσετε.
- Μην αποθηκεύετε την μπαταρία σε χώρους όπου μπορεί να προκληθεί στατικός ηλεκτρισμός. Μην αποθηκεύετε την μπαταρία σε μεταλλικό κουτί.
- Αποθηκεύστε την μπαταρία σε χώρο όπου η θερμοκρασία κυμαίνεται μεταξύ 5 °C και 25 °C μακριά από την ηλιακή ακτινοβολία.
- Αποθηκεύστε τον φορτιστή μπαταρίας σε χώρο όπου η θερμοκρασία κυμαίνεται μεταξύ 5 °C και 45 °C μακριά από την ηλιακή ακτινοβολία.
- Βεβαιωθείτε ότι η μπαταρία είναι φορτισμένη κατά 30% - 50% προτού την αποθηκεύσετε για μεγάλο χρονικό διάστημα.
- Αποθηκεύστε το προϊόν, την μπαταρία και τον φορτιστή μπαταρίας σε χώρο που κλειδώνεται, ώστε να μην έχουν πρόσβαση παιδιά και μη εξουσιοδοτημένα άτομα.
- Καθαρίστε το προϊόν και πραγματοποιήστε πλήρες σέρβις προτού το αποθηκεύσετε για μεγάλο χρονικό διάστημα.

Απόρριψη

Τα σύμβολα που υπάρχουν πάνω στο προϊόν ή στη συσκευασία του, υποδεικνύουν ότι δεν πρέπει να μεταχειριστείτε το συγκεκριμένο προϊόν ως οικιακό απόρριμμα. Αντιθέτως, πρέπει να το παραδώσετε σε κατάλληλο σταθμό ανακύκλωσης για ανάκτηση του ηλεκτρικού και ηλεκτρονικού εξοπλισμού.

Εξασφαλίζοντας τη σωστή απόρριψη του προϊόντος, συνεισφέρετε στην αντιμετώπιση πιθανών αρνητικών επιπτώσεων που θα μπορούσε να έχει στο περιβάλλον και τους ανθρώπους η λανθασμένη απόρριψη αυτού του προϊόντος. Για περισσότερες πληροφορίες σχετικά με την ανακύκλωση αυτού του προϊόντος, απευθυνθείτε στο δήμο σας, την τοπική υπηρεσία συλλογής απορριμμάτων ή το κατάστημα από το οποίο αγοράσατε το προϊόν.



Τεχνικά στοιχεία

Τεχνικά στοιχεία

	LC 247IX/LC 247I	LC 347IVX/LC 347IV	LC 353IVX/LC 353IV
Κινητήρας κοπήs			

	LC 247IX/LC 247I	LC 347IVX/LC 347IV	LC 353IVX/LC 353IV
Τύπος κινητήρα	BLDC (χωρίς ψήκτρες) 36V	BLDC (χωρίς ψήκτρες) 36V	BLDC (χωρίς ψήκτρες) 36V
Ταχύτητα κινητήρα - Λειτουργία SavE, σ.α.λ.	2600	2600	2600
Ταχύτητα κινητήρα - Ονομαστική, σ.α.λ.	3000	3000	3000
Ταχύτητα κινητήρα - Υψηλό φορτίο, σ.α.λ.	3500	3500	3500
Ισχύς κινητήρα – μέγ. kW	0,96	0,96	1,05
Ισχύς κινητήρα - Ονομαστική, kW	0,75	0,75	0,9
Κινητήρας πορείας			
Ισχύς κινητήρα - Ονομαστική, kW	Δ/Α	0,25	0,25
Ταχύτητα αυτόματης πορείας, km/h	Δ/Α	3,0–4,5	3,0–4,5
Επίπεδα ρύθμισης ταχύτητας	Δ/Α	4	4
Βάρος			
Βάρος χωρίς μπαταρία, kg	24	26	28
Μπαταρία			
Τύπος μπαταρίας	Σειρά μπαταριών της Husqvarna	Σειρά μπαταριών της Husqvarna	Σειρά μπαταριών της Husqvarna
Χρόνος λειτουργίας μπαταρίας			
Χρόνος λειτουργίας μπαταρίας, λεπτά, (ελεύθερη λειτουργία) με ενεργοποιημένη τη λειτουργία εξοικονόμησης SavE, με μία μπαταρία (Bli200) 5,2 Ah της Husqvarna.	43	43	32
Χρόνος λειτουργίας μπαταρίας, λεπτά, (ελεύθερη λειτουργία) με ενεργοποιημένη την κανονική λειτουργία, με μία μπαταρία (Bli200) 5,2 Ah της Husqvarna.	30	30	20
Εκπομπές θορύβου ¹⁶			
Στάθμη ηχητικής ισχύος, μετρούμενη τιμή σε dB (A)	94	94	97
Στάθμη ηχητικής ισχύος, εγγυημένη L _{WA} dB (A)	95	95	98
Στάθμες ήχου ¹⁷			
Στάθμη ηχητικής πίεσης στο αυτί του χειριστή, σε dB (A)	82	82	86
Στάθμες κραδασμών ¹⁸			
Λαβή, m/s ²	0,42	0,42	2,64

¹⁶ Οι εκπομπές θορύβου στο περιβάλλον μετρούνται ως ηχητική ισχύς (L_{WA}) σε συμμόρφωση με την Οδηγία 2000/14/ΕΚ.

¹⁷ Τα καταγεγραμμένα στοιχεία για τη στάθμη πίεσης θορύβου έχουν τυπική στατιστική διασπορά (τυπική απόκλιση) 1,2 dB(A).

¹⁸ Τα καταγεγραμμένα στοιχεία για τη στάθμη κραδασμών έχουν τυπική στατιστική διασπορά (τυπική απόκλιση) της τάξης του 0,2 m/s². Πρότυπο για κραδασμούς EN 60335-2-77:2017 κεφάλαιο 20.105

	LC 247IX/LC 247I	LC 347IVX/LC 347IV	LC 353IVX/LC 353IV
Εξοπλισμός κοπής			
Ύψος κοπής, mm	20-75 mm	20-75 mm	20-75 mm
Πλάτος κοπής, cm	47	47	53
Λεπίδα, βασικός εξοπλισμός	Συλλογή 5905934-10	Συλλογή 5905934-10	Συλλογή 5940757-10
Λεπίδα, αξεσουάρ	Χορτολίπασμα 5907010-10	Χορτολίπασμα 5907010-10	Χορτολίπασμα 5950072-10
Χωρητικότητα συλλέκτη χόρτου, λίτρα	55	55	60

Δεδομένα ραδιοσυχνοτήτων για Bluetooth®	LC 247IX	LC 347IVX	LC 353IVX
Ζώνη συχνοτήτων, GHz	2,4-2,4835	2,4-2,4835	2,4-2,4835
Ισχύς εξόδου, μέγ. dBm	4	4	4

Εγκεκριμένες μπαταρίες	Τύπος	Χωρητικότητα μπαταρίας, Ah	Τάση, V	Βάρος, lb/kg
BLi20	Ιόντων λιθίου	4,0	36	2,6/1,2
BLi30	Ιόντων λιθίου	7,7	36	4,2/1,9
BLi200	Ιόντων λιθίου	5,2	36	2,8/1,3
BLi300	Ιόντων λιθίου	9,4	36	4,1/1,9

Εγκεκριμένοι φορτιστές για προδιαγραφόμενες μπαταρίες, BLi	Τάση εισόδου, V	Συχνότητα, Hz	Ισχύς, W
QC80	100-240	50-60	80
QC80F	12	0	80
QC250	100-240	50-60	250
QC330	100-240	50-60	330
QC500	100-240	50-60	500

Δήλωση Συμμόρφωσης ΕΚ

Δήλωση Συμμόρφωσης ΕΚ

Η **Husqvarna AB**, SE-561 82 Huskvarna, Σουηδία, τηλ.: +46-36-146500, δηλώνει ότι τα **χλοοκοπτικά Husqvarna LC 247i, LC 247iX, LC 347iV, LC 347iVX, LC 353iV, LC 353iVX** από το έτος 2018 και έπειτα, πληρούν τις προϋποθέσεις της ΟΔΗΓΙΑΣ του ΣΥΜΒΟΥΛΙΟΥ:

- με ημερομηνία 8 Ιουνίου 2011 σχετικά με τον "περιορισμό της χρήσης συγκεκριμένων επικινδυνών ουσιών" **2011/65/EE**
- της 17ης Μαΐου 2006 "περί μηχανημάτων" **2006/42/EK**
- της 8 Μαΐου 2000 "σχετικά με τις εκπομπές θορύβου στο περιβάλλον" **2000/14/EK**

Για πληροφορίες σχετικά με τις εκπομπές θορύβου, ανατρέξτε στην ενότητα *Τεχνικά στοιχεία στη σελίδα 156*.

Εφαρμόστηκαν τα ακόλουθα πρότυπα:

EN/IEC 60335-1, EN/IEC 60335-2-77, EN/IEC 62233, EN 55014-1, EN ETSI 301 489-7 v1.3.1, EN 61000-6,

ETSI EN 61000-6-1, EN 300 328 BT low energy Tx/Rx, EN 50581

Αν δεν ορίζεται διαφορετικά, τα παραπάνω πρότυπα αντιστοιχούν στις πιο πρόσφατες δημοσιευμένες εκδόσεις.

Κοινοποιημένος φορέας: **0404, RISE SMP Svensk Maskinprovning AB, Box 7035, SE-750 07 Uppsala** έχει πραγματοποιήσει αξιολόγηση της συμμόρφωσης σύμφωνα με το Παράρτημα VI της οδηγίας 2000/14/EK.

Huskvarna, 2020-04-22



Claes Losdal, Διευθυντής ανάπτυξης/Προϊόντα κήπου
(Εξουσιοδοτημένος αντιπρόσωπος της Husqvarna AB και υπεύθυνος για την τεχνική τεκμηρίωση)

Σήματα κατατεθέντα

Η λέξη *Bluetooth®* και τα σχετικά λογότυπα είναι σήματα κατατεθέντα και ανήκουν στην *Bluetooth SIG, inc.*. Οποιαδήποτε χρήση αυτών των σημάτων από την Husqvarna γίνεται κατόπιν άδειας.

Contenido

Introducción.....	160	Resolución de problemas.....	180
Seguridad.....	164	Transporte, almacenamiento y eliminación.....	181
Montaje.....	172	Datos técnicos.....	182
Funcionamiento.....	173	Declaración de conformidad CE.....	185
Mantenimiento.....	178	Marcas comerciales registradas.....	185

Introducción

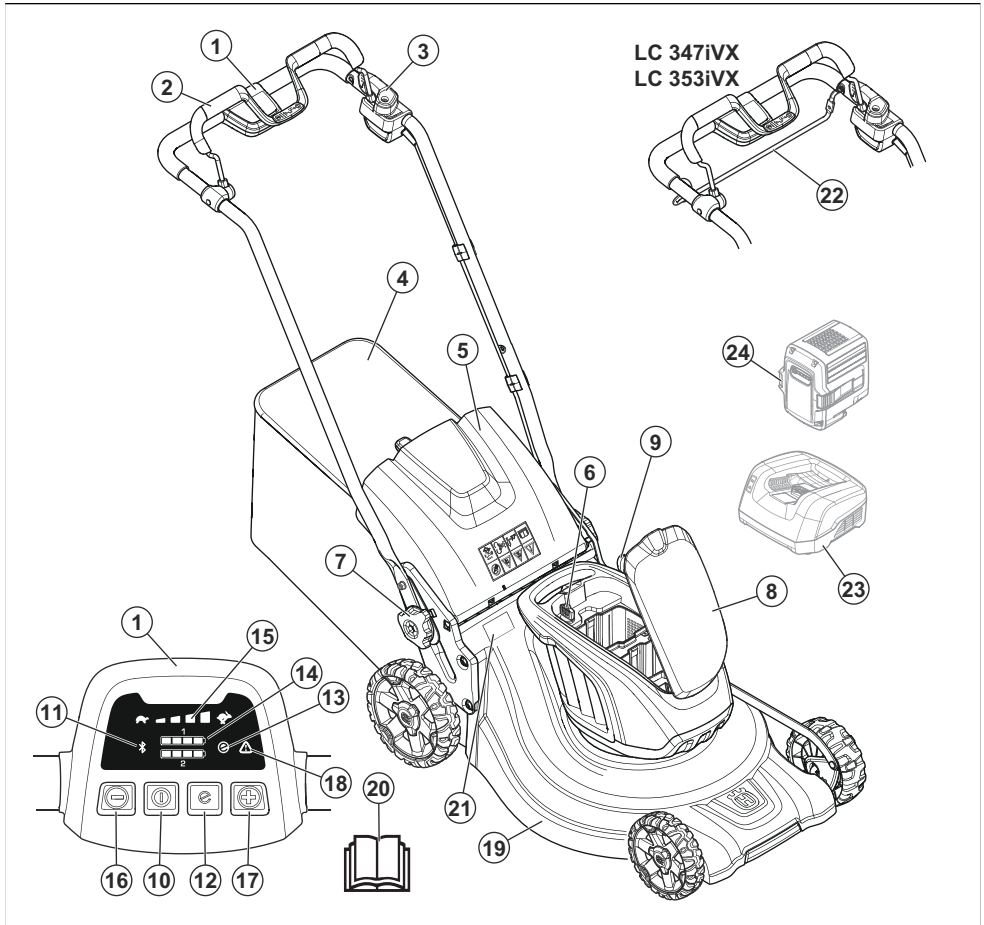
Descripción del producto

El producto es un cortacésped giratorio conducido a pie. La hierba se recoge en un recogedor de césped. Retire el recogedor de césped para utilizar la descarga trasera de hierba. Fije un kit de trituración (accesorio) para cortar la hierba y utilizarla como abono.

Uso previsto

Utilice el producto para cortar hierba. No utilice el producto para otras tareas.

Descripción del producto



- | | |
|---|---|
| <ol style="list-style-type: none"> 1. Panel de control 2. Palanca del freno del motor 3. Inhibidor de arranque 4. Recogedor de césped 5. Cubierta trasera 6. Llave de seguridad 7. Perilla del mango 8. Tapa de la batería 9. Control de la altura de corte 10. Botón ON/OFF 11. Indicador para tecnología inalámbrica <i>Bluetooth</i>[®] 12. Botón SavE 13. Indicador de SavE 14. Indicador de batería | <ol style="list-style-type: none"> 15. Indicador de nivel de velocidad (LC 347iV, LC 347iVX, LC 353iV, LC 353iVX) 16. Botón para reducir la velocidad (LC 347iV, LC 347iVX, LC 353iV, LC 353iVX) 17. Botón para aumentar la velocidad (LC 347iV, LC 347iVX, LC 353iV, LC 353iVX) 18. LED de error 19. Cubierta del equipo de corte 20. Manual de usuario 21. Placa de características 22. Mango de transmisión (LC 347iV, LC 347iVX, LC 353iV, LC 353iVX) 23. Cargador de batería (accesorio) 24. Batería (accesorio) |
|---|---|

Símbolos que aparecen en el producto



ADVERTENCIA: Tenga cuidado y utilice el producto correctamente. Este producto puede ocasionar lesiones graves o mortales tanto al operador como a cualquier otra persona.



Lea detenidamente el manual de usuario y asegúrese de que entiende las instrucciones antes de usar la máquina.



Mantenga a las personas y animales a una distancia de seguridad respecto a la zona de trabajo.



Tenga cuidado con los objetos lanzados o rebotados.



Advertencia: Mantenga alejados las manos y los pies de la cuchilla giratoria.



Advertencia: Mantenga alejados las manos y los pies de las piezas giratorias.



Retire la llave de seguridad antes de llevar a cabo trabajos de reparación o mantenimiento.



No exponer a la lluvia.



El producto o su embalaje no son residuos domésticos. Recíclelo en un centro de reciclaje para equipos eléctricos y electrónicos.



El producto cumple con las directivas CE vigentes.



El producto cumple con las directivas vigentes de la Unión Aduanera Euroasiática.



El producto cumple con las directivas UkrSEPRO vigentes.



El producto cumple con las directivas RCM vigentes. Aplicable solo para Australia y Nueva Zelanda



Lento



Rápido



Emisiones sonoras en el entorno conformes con la directiva europea 2000/14/CE y con la regulación de 2017 de la legislación de Nueva Gales del Sur sobre protección del medio ambiente (control de ruidos), "Protection of the Environment Operations - Noise Control". Los datos sobre las emisiones sonoras se pueden encontrar en la etiqueta de la máquina y en el capítulo Datos técnicos.



Código escaneable

Nota: Los demás símbolos/etiquetas que aparecen en el producto corresponden a requisitos de homologación específicos en algunos mercados.

Etiqueta del producto



IPX1 El producto está protegido contra goteo.



Procedimiento de arranque: pulse el botón de encendido/apagado, afloje el bloqueo de arranque y presione la palanca del freno del motor hacia abajo.



Suelte la palanca del freno del motor para parar.

Mantenga alejados las manos y los pies de las cuchillas giratorias.

Responsabilidad sobre el producto

Como se estipula en las leyes de responsabilidad del producto, no nos hacemos responsables de los daños y perjuicios causados por nuestro producto si:

- El producto se ha reparado incorrectamente.
- El producto se ha reparado con piezas que no eran del fabricante o no autorizadas por el fabricante.

- El producto tiene un accesorio que no es del fabricante o no está autorizado por este.

- El producto no se ha reparado en un centro de servicio autorizado o por un organismo homologado.

Seguridad

Definiciones de seguridad

Las advertencias, precauciones y notas se utilizan para destacar información especialmente importante del manual.



ADVERTENCIA: Indica un riesgo de lesiones o incluso de muerte del usuario o de las personas cercanas si no se respetan las instrucciones del manual.



PRECAUCIÓN: Indica un riesgo de daños en el producto, otros materiales o el área adyacente si no se respetan las instrucciones del manual.

Nota: Se usa para proporcionar más información necesaria en una situación determinada.

Instrucciones generales de seguridad



ADVERTENCIA: Lea las siguientes instrucciones

de advertencia antes de utilizar el producto.

- Este producto es una herramienta peligrosa si se usa incorrectamente o si no se tiene cuidado. Puede causar lesiones graves o incluso la muerte si no siguen las instrucciones de seguridad.
- Este producto genera un campo electromagnético durante el funcionamiento. Este campo magnético puede, en determinadas circunstancias, interferir con implantes médicos activos o pasivos. Para reducir el riesgo de que se den condiciones que provocarían lesiones graves o letales, las personas que utilizan implantes médicos deben consultar con su médico y con el fabricante del implante antes de poner en marcha este producto.
- Proceda siempre con cuidado y utilice siempre el sentido común. Si no está seguro de cómo manejar el producto en una situación especial, pare y consulte con su distribuidor Husqvarna antes de continuar.

- Debe tenerse en cuenta que el operador será responsable de los accidentes que involucren a otras personas o a su propiedad.
- Mantenga el producto limpio. Asegúrese de que puede leer claramente las etiquetas.
- No permita que niños ni adultos que no estén familiarizados con estas instrucciones utilicen el aparato. Las normas de seguridad locales pueden fijar límites a la edad del operador
- Si una persona con discapacidad física o mental usa el producto, asegúrese de supervisarla en todo momento. Debe haber presente en todo momento una persona mayor de edad responsable.
- No utilice el producto si está cansado, enfermo o si se encuentra bajo los efectos de alcohol, drogas o medicamentos. Esto tiene un efecto negativo en su visión, vigilancia, coordinación y capacidad de decisión.
- No utilice el producto si está defectuoso.
- No modifique este producto ni lo utilice si puede haber sido

modificado por otras personas.

Seguridad en el área de trabajo



ADVERTENCIA: Lea las siguientes instrucciones de advertencia antes de utilizar el producto.

- Retire objetos tales como ramas, palos y piedras de la zona de trabajo antes de usar el producto.
- Los objetos que chocan contra el equipo de corte pueden salir despedidos y causar daños a personas y objetos. Mantenga a las personas y los animales a una distancia de seguridad respecto al producto.
- No utilice el producto en condiciones climáticas desfavorables, como niebla, lluvia, viento fuerte, frío intenso y riesgo de relámpagos. El uso del producto en condiciones climáticas desfavorables o en entornos húmedos o mojados produce mucho cansancio. El mal tiempo puede causar condiciones peligrosas, como superficies resbaladizas.
- Preste atención a las personas, objetos y situaciones que puedan

- impedir el funcionamiento seguro del producto.
- Tenga cuidado con los posibles obstáculos, como raíces, piedras, ramas, hoyos y zanjas. El césped crecido puede esconder obstáculos.
 - Cortar el césped en pendientes puede resultar peligroso. No utilice la máquina en pendientes excesivamente pronunciadas. No utilice el producto en pendientes de más de 15°.
 - Tenga sumo cuidado al cambiar de dirección en pendientes. Utilice el producto a lo largo de las laderas de las pendientes. No se desplace hacia arriba y hacia abajo.
 - Tenga cuidado cuando se acerque a esquinas y objetos escondidos que puedan bloquear su campo de visión.

Seguridad en el trabajo



ADVERTENCIA: Lea las siguientes instrucciones de advertencia antes de utilizar el producto.

- Utilice el equipo de protección personal. Consulte la sección *Equipo de protección personal en la página 167*.
- Asegúrese de que sabe cómo detener el motor rápidamente en caso de emergencia.
- No utilice el producto bajo la lluvia ni en ambientes húmedos. El riesgo de sacudida eléctrica aumenta si entra agua en el producto.
- No utilice el producto a menos que la cuchilla y todas las cubiertas estén fijadas correctamente. Una cuchilla fijada incorrectamente puede soltarse y provocar daños personales.
- Asegúrese de que la cuchilla no golpea ningún objeto, como piedras y raíces. Esto puede causar daños a la cuchilla y doblar el eje del motor. Un eje doblado causa vibraciones excesivas y un riesgo muy alto de que la cuchilla se suelte.
- Si la cuchilla choca con algún objeto o si se producen vibraciones, pare el producto inmediatamente. Detenga el motor, gire la llave de seguridad a la posición 0 y retire la batería. Examine el producto para comprobar si presenta daños. Repare los daños o lleve el producto a un

taller de servicio autorizado para realizar la reparación.

- No acople la palanca del freno del motor permanentemente al manillar cuando el motor esté encendido.
- Ponga el producto en una superficie plana y estable, y arránquelo. Asegúrese de que la cuchilla no entre en contacto con el suelo u otros objetos.
- Manténgase siempre detrás del producto durante su uso.
- Mientras utilice el producto, mantenga todas las ruedas apoyadas en el suelo y las dos manos en el manillar. Mantenga alejados las manos y los pies de las cuchillas giratorias.
- No incline el producto con el motor en marcha.
- Tenga cuidado cuando tire del producto hacia atrás.
- Nunca levante el producto con el motor en marcha. Si tiene que levantar el producto, en primer lugar detenga el motor, gire la llave de seguridad a la posición 0 y retire la batería.
- No camine hacia atrás mientras utiliza el producto.
- Detenga el motor cuando se desplace por áreas sin hierba,

por ejemplo, caminos de grava, piedra y asfalto.

- No corra con el producto con el motor en marcha. Camine siempre mientras utiliza el producto.
- Detenga el motor antes de cambiar la altura de corte. Nunca realice ajustes con el motor en marcha.
- No deje el producto desatendido con el motor en marcha. Pare el motor y asegúrese de que el equipo de corte no gire.

Instrucciones de seguridad para el funcionamiento

Equipo de protección personal



ADVERTENCIA: Lea las siguientes instrucciones de advertencia antes de utilizar el producto.

- El equipo de protección personal no elimina completamente el riesgo de lesiones, pero reduce la gravedad de las lesiones en caso de accidente. Deje que el distribuidor le ayude a seleccionar el equipo adecuado.
- Utilice botas o zapatos de trabajo antideslizantes. No

utilice calzado abierto ni vaya descalzo.

- Utilice pantalones largos gruesos.
- Utilice guantes protectores cuando sea necesario, por ejemplo, para el montaje, inspección o limpieza del equipo de corte.

Dispositivos de seguridad en el producto



ADVERTENCIA: Lea las siguientes instrucciones de advertencia antes de utilizar el producto.

- No utilice un producto que tenga dispositivos de seguridad defectuosos.
- Realice una comprobación de los dispositivos de seguridad con frecuencia. Si los dispositivos de seguridad están defectuosos, hable con su taller de servicio Husqvarna.

Comprobación de la cubierta del equipo de corte

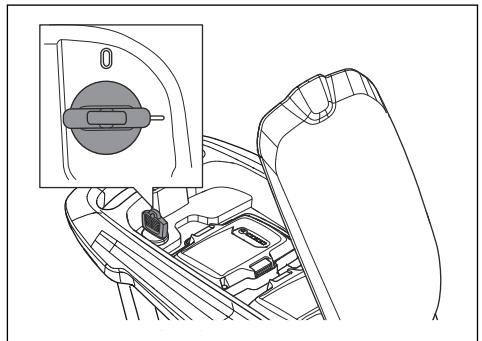
La cubierta del equipo de corte disminuye las vibraciones en el producto y el riesgo de lesiones provocadas por la cuchilla.

- Examine la cubierta de corte para asegurarse de que no haya daños como, por ejemplo, grietas.

Llave de seguridad

La llave de seguridad se encuentra debajo de la tapa de la batería. La llave de seguridad conecta la batería que suministra electricidad al motor.

- Arranque y detenga el motor para realizar una comprobación de la llave de seguridad.
- Si la llave de seguridad funciona correctamente, el motor solo arranca cuando la llave está en la posición 1.

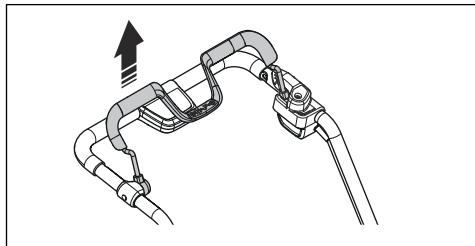


Palanca del freno del motor

La maneta del freno del motor detiene el motor. Cuando se suelta la maneta del freno del motor, el motor se para.

Para realizar una comprobación del freno del motor, arranque el

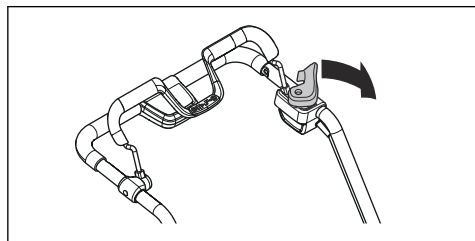
motor y luego suelte la maneta del freno del motor. Si el motor no se detiene en 3 segundos, lleve el producto a un taller de servicio Husqvarna autorizado para realizar el ajuste del freno del motor.



Para examinar el inhibidor de arranque

Compruebe el inhibidor de arranque para verificar que evita el funcionamiento del motor.

1. Empuje la palanca del freno del motor hacia el manillar. El inhibidor de arranque impide el movimiento.
2. Empuje el inhibidor de arranque hacia fuera.



3. Suelte el inhibidor de arranque y asegúrese de que regresa a su posición inicial.

Seguridad de la batería



ADVERTENCIA: Lea las siguientes instrucciones de advertencia antes de utilizar el producto.

- Utilice solamente pilas recargables Husqvarna como fuente de alimentación para otros productos Husqvarna relacionados. Para evitar lesiones, no utilice la batería como fuente de alimentación de otros dispositivos.
- No utilice baterías no recargables.
- Riesgo de descarga eléctrica. No conecte los terminales de la batería a llaves, monedas, tornillos u otros objetos metálicos. Esto puede provocar un cortocircuito en la batería.
- No coloque objetos en las ranuras de ventilación de la batería.
- Mantenga la batería lejos de la luz directa del sol, de fuentes de calor o de llamas abiertas. La batería puede explotar y

provocar quemaduras graves y/o quemaduras químicas.

- Mantenga la batería resguardada de la lluvia y la humedad.
- Mantenga la batería lejos de microondas y fuentes de alta presión.
- No intente desmontar o romper la batería.
- Si se produce una fuga en la batería, no permita que el líquido entre en contacto con el cuerpo ni con los ojos. Si toca el líquido, limpie el área con abundante agua y busque asistencia médica.
- Utilice la batería con temperaturas de entre -10 °C y 40 °C.
- No limpie la batería o el cargador con agua. Consulte *Para limpiar la batería y el cargador de la batería en la página 179.*
- No utilice una batería defectuosa o dañada.
- Guarde la batería alejada de objetos metálicos, como clavos, monedas o joyas.

Seguridad del cargador de la batería



ADVERTENCIA: Lea las siguientes instrucciones

de advertencia antes de utilizar el producto.

- Utilice solamente cargadores de baterías QC para cargar las baterías de repuesto Husqvarna.
- Riesgo de sacudida eléctrica o cortocircuito. No coloque objetos en las ranuras de ventilación del cargador. No intente desmontar el cargador de batería. No conecte los terminales del cargador a objetos metálicos. Utilice una toma de corriente homologada.
- Este producto genera un campo electromagnético durante el funcionamiento. Este campo magnético puede, en determinadas circunstancias, interferir con implantes médicos activos o pasivos. Para reducir el riesgo de que se den condiciones que provocarían lesiones graves o letales, las personas que utilizan implantes médicos deben consultar con su médico y con el fabricante del implante antes de poner en marcha este producto.
- Compruebe con regularidad que el cable de alimentación

del cargador de batería no esté dañado ni agrietado.

- No levante el cargador de la batería tirando del cable de alimentación. Para desconectar el cargador de batería de la toma de corriente, tire del enchufe. No tire del cable de alimentación.
- Mantenga el cable de alimentación y los cables de empalme apartados de agua, aceite y cantos agudos. Proceda con cuidado para evitar que el cable se enganche en puertas, vallas o similares. De lo contrario, el cargador podría transmitir corriente.
- No limpie el cargador de la batería con agua.
- Los niños mayores de ocho años y las personas con facultades físicas, psíquicas o sensoriales disminuidas, o sin la experiencia y los conocimientos necesarios pueden usar el cargador de batería si se les supervisa o instruye en lo que respecta al uso seguro del aparato y comprenden los peligros existentes. Los niños no deben jugar con el cargador de batería. Los niños no deberán llevar a cabo la

limpieza ni el mantenimiento del usuario sin supervisión.

- No intente cargar baterías no recargables en el cargador de la batería.
- No utilice el cargador de batería cerca de materiales inflamables o corrosivos. No cubra el cargador. Desenchufe el cargador de batería en caso de humareda o incendio.
- No utilice un cargador de batería defectuoso o dañado.
- Solo cargue la batería en interiores si se trata de una estancia con buena ventilación y lejos de la luz solar directa. No cargue la batería en un entorno húmedo.

Instrucciones de seguridad para el mantenimiento



ADVERTENCIA: Lea las siguientes instrucciones de advertencia antes de utilizar el producto.

- Para evitar el arranque accidental durante el mantenimiento, gire la llave de seguridad a la posición 0 y retire la batería. Espere al menos 5 segundos antes de empezar los trabajos de mantenimiento.

- Realice los trabajos de mantenimiento correctamente para aumentar la vida útil del producto y reducir el riesgo de accidentes. Deje que un taller de servicio homologado haga las reparaciones profesionales. Póngase en contacto con su taller de servicio más cercano para obtener más información.
- Realice únicamente las tareas de mantenimiento que figuran en este manual de usuario. Los trabajos de mayor envergadura debe realizarlos un taller de servicio autorizado.
- Utilice guantes resistentes al utilizar el equipo de corte. La cuchilla está muy afilada y se pueden producir cortes con mucha facilidad.
- Mantenga los bordes cortantes afilados y limpios para obtener los mejores resultados con la máxima seguridad.
- Diríjase a su taller de servicio para que examine el producto regularmente y para que realice ajustes y reparaciones necesarios.
- Cambie las piezas dañadas, desgastadas o rotas.
- Respete las instrucciones correspondientes al cambio de accesorios. Utilice únicamente los accesorios del fabricante.
- Cuando no esté en funcionamiento, mantenga el producto, la batería y cargador de batería aparte en un lugar seco, interior y bajo llave. Asegúrese de que los niños y personas que no cuenten con autorización no puedan acceder al producto, la batería o el cargador de batería.

Montaje

Introducción



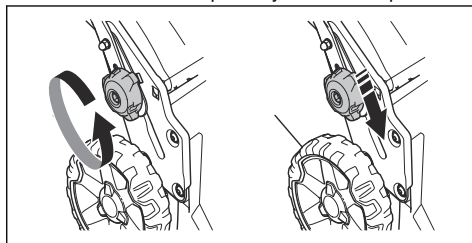
ADVERTENCIA: Antes de montar este producto, lea el capítulo sobre seguridad.



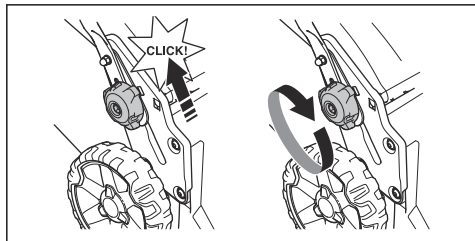
ADVERTENCIA: Para evitar un arranque accidental durante el montaje, gire la llave de seguridad hasta la posición 0, retire la batería y espere al menos 5 segundos.

Ajuste del mango

1. Afloje las ruedecillas inferiores.
2. Mueva los mandos hacia el extremo inferior de las ranuras en el lado izquierdo y derecho del producto.



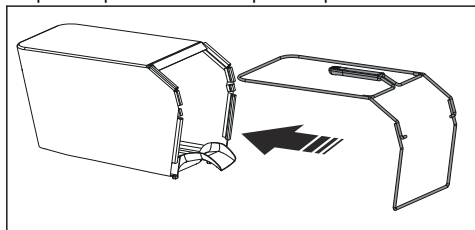
- Ajuste la altura del manillar en una de las 2 posiciones disponibles.
- Mueva los mandos hacia arriba, en dirección al manillar, hasta que finalice su recorrido y escuche un clic.



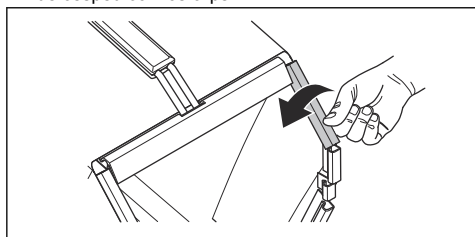
- Apriete las ruedecillas por completo.

Para montar el recogedor de césped

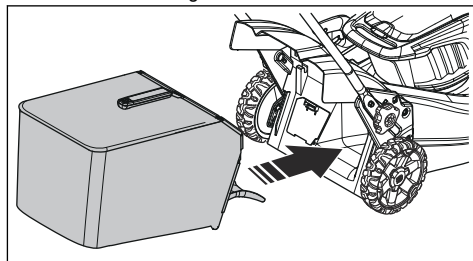
- Coloque el bastidor del recogedor de césped en la bolsa de hierba con la parte rígida de la bolsa en la parte inferior. Mantenga el asa del bastidor en la parte superior de la bolsa para césped.



- Coloque la parte inferior del bastidor del recogedor de césped en la ranura de la parte inferior del recogedor de césped.
- Fije la bolsa para césped al bastidor del recogedor de césped con los clips.

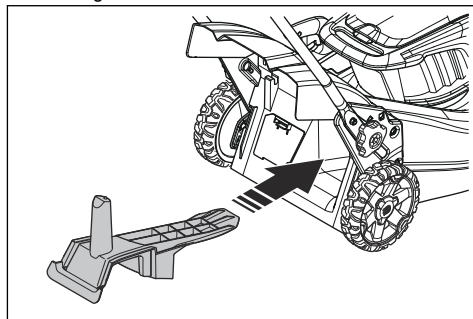


- Levante la cubierta trasera.
- Encaje el recogedor de césped en el borde superior del chasis.
- Coloque la parte inferior del recogedor de césped en el canal de descarga.



Para montar el triturador (accesorio)

- Levante la cubierta trasera y extraiga el recogedor de césped.
- Coloque el accesorio triturador en el canal de descarga.



- Sustituya la cuchilla por una cuchilla trituradora que se suministra en el kit de trituración. Consulte la sección *Para retirar y sustituir la cuchilla en la página 179*.

Funcionamiento

Introducción



ADVERTENCIA: Antes de utilizar el producto, debe leer y entender el capítulo sobre seguridad.

Husqvarna Connect

Husqvarna Connect es una aplicación gratuita para su dispositivo móvil. La aplicación Husqvarna Connect proporciona más funciones para su producto Husqvarna:

- Información ampliada sobre el producto.

- Información y asistencia sobre piezas y mantenimiento de productos.

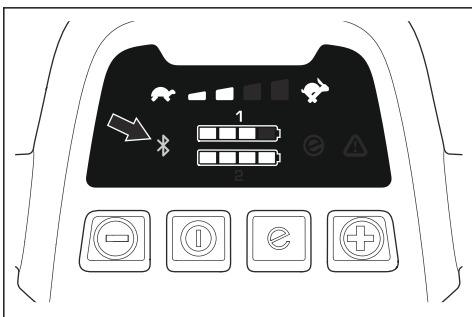
Para empezar a utilizar Husqvarna Connect

1. Descargue la aplicación Husqvarna Connect en su dispositivo móvil.
2. Registre una cuenta en la aplicación Husqvarna Connect.
3. Siga las instrucciones de la aplicación Husqvarna Connect para conectarse y registrar el producto.

Información de Bluetooth® (LC 247iX, LC 347iVX, LC 353iVX)

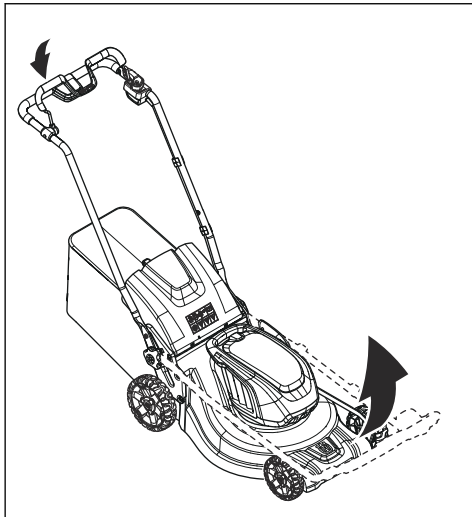
Tecnología inalámbrica Bluetooth®

El símbolo de tecnología inalámbrica *Bluetooth*® se enciende cuando el dispositivo móvil está conectado al producto.

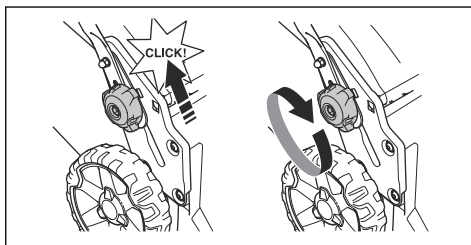


Ajuste del producto en la posición de trabajo

1. Coloque el manillar en posición vertical.



2. Mueva los mandos hacia arriba, en dirección al manillar, hasta que finalice su recorrido y escuche un clic.

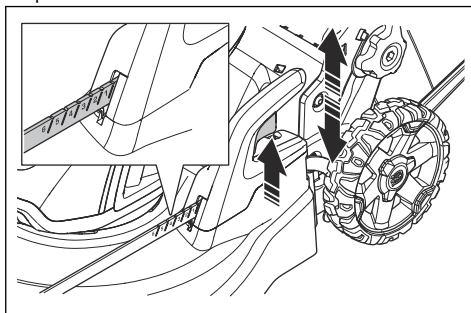


3. Apriete las ruedecillas por completo.

Para ajustar la altura de corte

La altura de corte puede ajustarse en 6 niveles.

1. Mueva la palanca de altura de corte hacia abajo para reducir la altura de corte.
2. Mueva la palanca de altura de corte hacia arriba para aumentar la altura de corte.



PRECAUCIÓN: No ajuste la altura de corte demasiado baja. Las cuchillas pueden golpear el suelo si la superficie del césped no está nivelada.

Batería

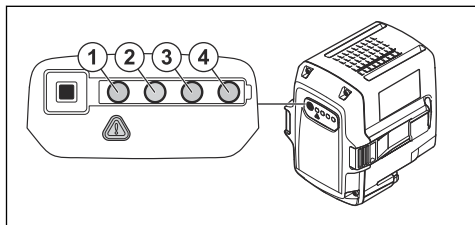


ADVERTENCIA: Antes de usar la batería, debe leer y entender el capítulo sobre seguridad. También debe leer y comprender el manual de usuario de la batería y el cargador de la batería.

Estado de la batería

La pantalla muestra la capacidad restante de la batería y si hay algún problema con la batería. La carga de la batería se muestra durante cinco segundos después de apagar el producto o pulsar el botón del indicador de la batería. El símbolo de advertencia de la batería se

enciende cuando se produce un error. Consulte *Batería en la página 180.*



Indicadores LED	Estado de la batería
Todos los LED están encendidos	Carga completa (75-100 %)
LED 1, LED 2 y LED 3 encendidos	La batería tiene una carga del 50 %-75 %
LED 1 y LED 2 encendidos	La batería tiene una carga del 25 %-50 %
LED 1 encendido	La batería tiene una carga del 0 %-25 %.
El LED 1 parpadea	La batería está descargada. Cargue la batería.

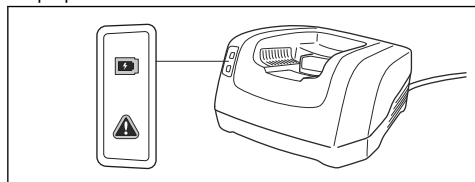
Para cargar la batería

Cargue la batería antes de utilizarla por primera vez. La batería solo tiene un 30 % de carga cuando se entrega al cliente.

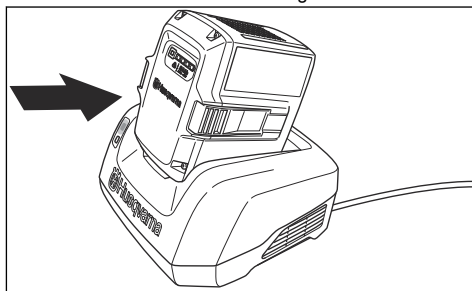
Nota: El cargador de la batería debe estar conectado a la tensión y la frecuencia indicadas en la placa de características.

La batería no se cargará si su temperatura es superior a 50 °C. El cargador de batería disminuye la temperatura de la batería antes de empezar a cargarse.

1. Conecte un extremo del cable de alimentación del cargador de batería a la toma de este último.
2. Conecte el otro extremo del cable de alimentación del cargador de batería a un enchufe de corriente con toma de tierra. El LED del cargador de batería parpadea de color verde una vez.



3. Coloque la batería en el cargador. La luz verde del cargador se enciende cuando la batería está conectada correctamente al cargador de batería.



4. Cuando todos los LED de la batería se hayan encendido, la batería estará totalmente cargada. Cargue la batería durante un máximo de 24 horas.
5. Para desconectar el cargador de la toma de corriente, tire del enchufe, no del cable de alimentación.
6. Retire la batería del cargador.

Estado de la carga de la batería

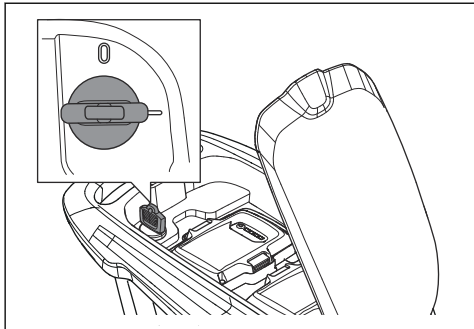
Una batería de iones de litio de Husqvarna se puede cargar o utilizar sea cual sea su nivel de carga. La batería no sufre daños. La carga de una batería completamente cargada no se pierde aun cuando se deje en el cargador.

Indicadores LED	Estado de carga
El LED 1 parpadea	0 %-25 %
LED 1 encendido y LED 2 parpadeando	25 %-50 %
LED 1 y LED 2 encendidos; LED 3 parpadeando.	50 %-75 %
LED 1, LED 2 y LED 3 encendidos; LED 4 parpadeando.	75 %-100 %
LED 1, LED 2, LED 3 y LED 4 encendidos	Completamente cargada

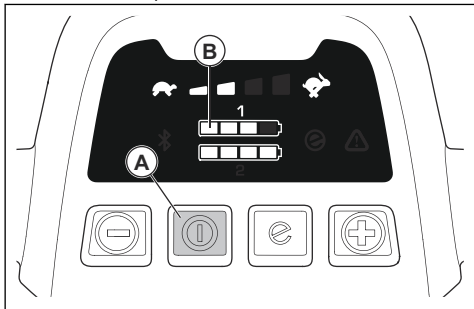
Arranque del producto.

1. Abra la tapa de la batería.
2. Coloque una batería cargada en uno de los compartimentos de batería. Para prolongar la autonomía, coloque una segunda batería cargada en el otro compartimento de batería.

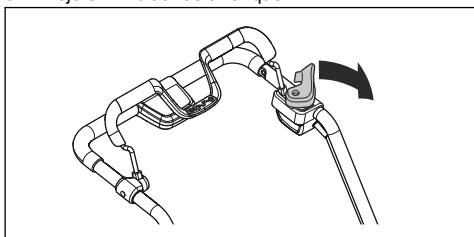
3. Gire la llave de seguridad a 1.



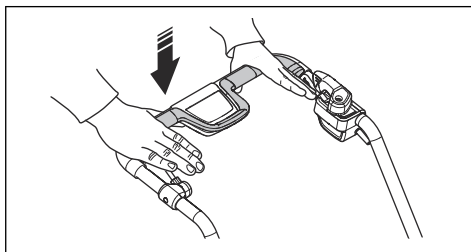
4. Manténgase detrás del producto.
5. Pulse el botón ON/OFF (A) en el panel de control. La pantalla se enciende. El indicador de la batería (B) muestra el nivel de carga de ambas baterías. El número de la batería en funcionamiento se muestra en el área adyacente al indicador de batería. En los modelos LC 347iV, LC 347iVX, LC 353iV, LC 353iVX, la pantalla también muestra la velocidad.



6. Afloje el inhibidor de arranque.

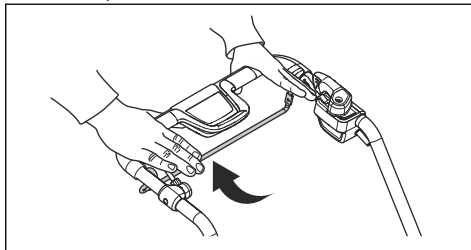


7. Empuje la maneta del freno del motor hacia el manillar.

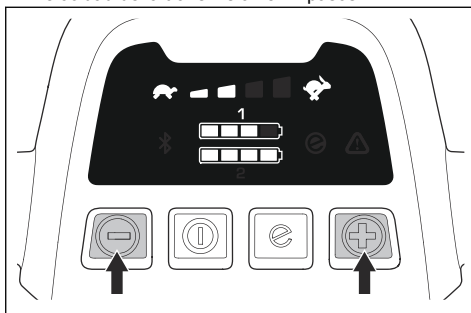


Uso de la transmisión de las ruedas LC 347iV, LC 347iVX, LC 353iV, LC 353iVX

- Tire del mango de transmisión en la dirección del manillar para arrancar la transmisión.



- Pulse + y - en el panel de control para ajustar la velocidad de la transmisión en 4 pasos.



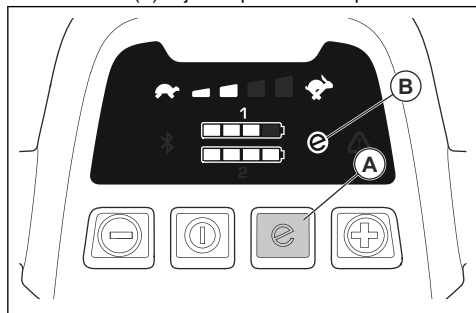
- Suelte el mango de transmisión para desacoplar la transmisión, por ejemplo, cuando se acerque a un obstáculo.

Uso de la función

El producto cuenta con una función de ahorro de batería () que le permite funcionar durante más tiempo.

1. Pulse el botón (A) para activar la función. El símbolo de (B) se enciende en la pantalla.

2. Pulse de nuevo el botón para detener la función. El símbolo de (B) deja de aparecer en la pantalla.



La función se detiene automáticamente si las condiciones del terreno requieren una mayor potencia. La función se vuelve a activar automáticamente cuando las condiciones del terreno lo permitan.

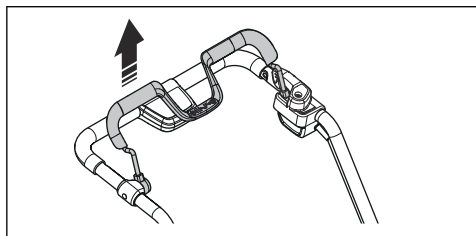
Función de carga alta

Cuando el producto corta hierba larga o húmeda, el motor aumenta automáticamente las revoluciones. El motor regresa al modo normal cuando no se necesitan cargas altas.

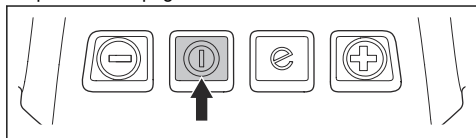
Para detener el producto

El producto se detiene automáticamente si no se utiliza durante 10 minutos. Apague siempre la llave de seguridad poniéndola en la posición 0 antes de dejar el producto fuera de la vista.

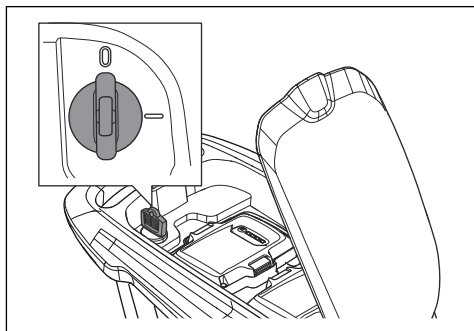
1. Suelte la palanca del freno del motor para detener el motor.



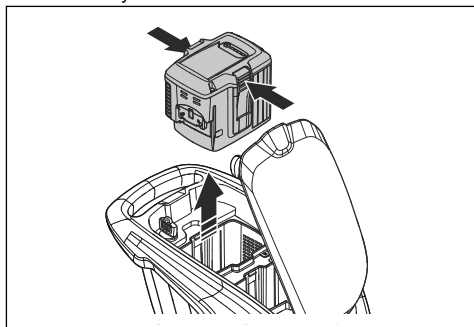
2. Pulse el botón ON/OFF en el panel de control. Todas las luces LED y símbolos que aparecen en la pantalla se apagarán.



3. Abra la tapa de la batería y gire la llave de seguridad hasta 0.



4. Para extraer la batería, presione los 2 botones de liberación y tire de ella hacia fuera.



5. Cargue la batería si está baja. Para obtener más información, consulte *Para cargar la batería en la página 175*.

Para obtener un buen resultado

- Use siempre una cuchilla afilada. Un cuchilla roma proporciona un resultado irregular y la superficie de corte de la hierba adquiere un tono amarillo. Una cuchilla afilada también utiliza menos energía que una cuchilla roma.
- No corte más de $\frac{1}{3}$ de la longitud del césped. Corte primero con una altura de corte alta. Examine el resultado y baje la altura de corte al nivel que corresponda. Si la hierba está muy larga, vaya despacio y corte dos veces si es necesario.
- Corte en direcciones distintas cada vez para evitar crear rayas en el césped.

Para cortar el césped sin un recogedor de césped o un triturador instalado

- Levante la cubierta trasera y extraiga el recogedor de césped.
- Si hay un triturador y una cuchilla trituradora instalados, retírelos.
- Cierre la cubierta posterior antes de utilizar el producto.

Cuando se utiliza el producto, la hierba cortada se expulsa por debajo de la cubierta posterior.

Mantenimiento

Introducción



ADVERTENCIA: Antes de realizar cualquier trabajo de mantenimiento, debe leer y entender el capítulo sobre seguridad.

Para todos los trabajos de mantenimiento y reparación del producto, es necesario realizar una formación especial. Nosotros garantizamos que los trabajos de mantenimiento y reparación sean realizados por profesionales. Si su distribuidor no es un taller de

servicio, pídale información sobre el taller de servicio más cercano.

Programa de mantenimiento

Los intervalos de mantenimiento se calculan a partir del uso diario del producto. Los intervalos cambian si el producto no se utiliza a diario.

Para las tareas de mantenimiento identificadas con un *, consulte las instrucciones de *Instrucciones de seguridad para el funcionamiento en la página 167*.

	A cada uso	Mensual	Cada temporada
Inspección general	X		
Limpie el producto	X		
Realice una comprobación del inhibidor de arranque *	X		
Compruebe que los dispositivos de seguridad del producto no estén defectuosos *	X		
Inspeccione el equipo de corte	X		
Examine la cubierta de corte *	X		
Realice una comprobación de la palanca del freno del motor *	X		
Asegúrese de que el botón de encendido/apagado funciona correctamente y que no está defectuoso	X		
Examine la batería en busca de posibles daños	X		
Compruebe la carga de la batería	X		
Compruebe que los botones de liberación de la batería funcionan correctamente y que la batería se acopla al producto	X		
Examine el cargador de la batería para ver si está dañado y asegúrese de que funciona correctamente.		X	
Examine las conexiones entre la batería y el producto. Examine también la conexión entre la batería y el cargador de batería.			X

Para realizar una inspección general

- Asegúrese de que las tuercas y los tornillos del producto estén bien apretados.
- Asegúrese de que los cables del producto no están en una posición en la que puedan resultar dañados.

Limpieza del producto

- Limpie las piezas de plástico con un paño limpio y seco.

- No utilice agua para limpiar el producto. El agua puede entrar en la batería o el motor y causar un cortocircuito o daños en el producto.
- No utilice un equipo de limpieza a alta presión para limpiar el producto.
- No vierta agua directamente sobre el motor.
- Use un cepillo para retirar las hojas, la hierba y la suciedad.

Para limpiar la batería y el cargador de la batería



PRECAUCIÓN: No limpie la batería o el cargador con agua.

- Asegúrese de que batería y cargador estén limpios y secos antes de colocar la batería en el cargador.
- Limpie los bornes de la batería con aire comprimido o con un paño suave y seco.
- Limpie las superficies de la batería y el cargador con un paño suave y seco.

Para inspeccionar el equipo de corte



ADVERTENCIA: Para evitar un arranque accidental, gire la llave de seguridad hasta la posición 0, retire la batería y espere al menos 5 segundos.



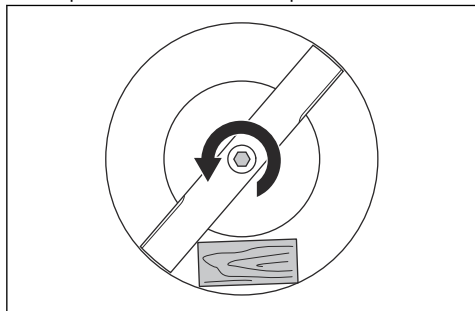
ADVERTENCIA: Utilice guantes protectores cuando realice el mantenimiento del equipo de corte. La cuchilla está muy afilada y se pueden producir cortes con mucha facilidad.

1. Inspeccione el equipo de corte para comprobar si presenta daños o grietas. Sustituya siempre un equipo de corte dañado.
2. Inspeccione la cuchilla para comprobar si está dañada o roma.

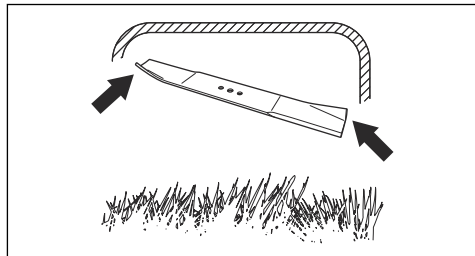
Nota: Después de afilar la cuchilla, es necesario equilibrarla. El afilado, la sustitución y el equilibrado de la cuchilla deben realizarse en un centro de servicio. Si choca con un obstáculo que haga que el producto se pare, sustituya la cuchilla dañada. Lleve el producto a un centro de servicio, donde estimarán si la cuchilla puede afilarse o debe sustituirse.

Para retirar y sustituir la cuchilla

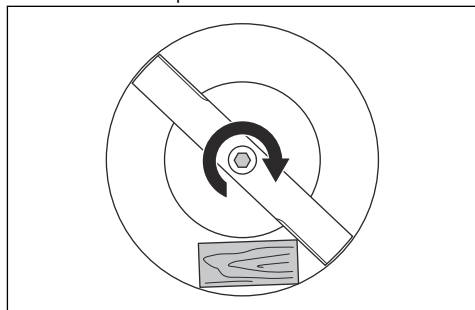
1. Bloquee la cuchilla con un bloque de madera.



2. Extraiga el tornillo de la cuchilla.
3. Desmonte la cuchilla.
4. Inspeccione el soporte de la cuchilla y el tornillo de la cuchilla para comprobar si presentan daños.
5. Inspeccione el eje del motor para asegurarse de que no está doblado.
6. Cuando instale la nueva cuchilla, colóquela con los extremos en ángulo en dirección a la cubierta de corte.



7. Asegúrese de que la cuchilla quede alineada con el centro del eje del motor.
8. Bloquee la cuchilla con un bloque de madera. Coloque la arandela elástica, y apriete el perno y la arandela con un par de 23–28 Nm.



9. Mueva la cuchilla en distintas direcciones manualmente y compruebe que gira libremente.



ADVERTENCIA: Use guantes resistentes. La cuchilla está muy afilada y se pueden producir cortes con mucha facilidad.

10. Arranque el producto para hacer una prueba de la cuchilla. Si la cuchilla no está correctamente fijada, se produce una vibración en el producto o el resultado de corte no es satisfactorio.

Resolución de problemas

Batería

Indicador LED de la batería	Posibles errores	Procedimiento posible
El LED verde parpadea	La tensión de la batería es baja	Cargue la batería. Consulte <i>Para cargar la batería en la página 175</i> .
El LED de error parpadea	La batería está baja	Cargue la batería. Consulte <i>Batería en la página 180</i> .
	La temperatura en el entorno de trabajo es demasiado alta o demasiado baja	Utilice la batería con temperaturas de entre -10 °C y 40 °C.
	Sobretensión	Compruebe que la tensión de la red eléctrica sea la misma que la que figura en la placa de características del producto. Retire la batería del cargador. Espere 5 segundos y vuelva a intentar cargar la batería. Si el problema persiste, diríjase a un taller de servicio oficial.
El LED de error está encendido	Demasiada diferencia de célula (1 V)	Acuda a un taller de servicio autorizado.

Cargador de baterías

LED del cargador de batería	Posibles errores	Procedimiento posible
El LED de error parpadea	La temperatura en el entorno de trabajo es demasiado alta o demasiado baja	Utilice el cargador de batería con temperaturas de entre 5 °C y 40 °C.
El LED de error está encendido		Acuda a un taller de servicio autorizado

Panel de control

Teclado	Código de error (Número de destellos)	Posibles fallos	Posible acción
El LED de error parpadea	3	El producto está sobrecargado	Aumente la altura de corte. Consulte la sección <i>Para ajustar la altura de corte en la página 174</i> .
	5	El régimen del motor descien- de demasiado y el motor se detiene	
	10	El control del motor está de- masiado caliente	Detenga el motor y espere hasta que se haya enfriado
	2	La cuchilla está bloqueada.	Para evitar un arranque accidental, gire la llave de seguridad hasta la posición 0, retire la batería y espere al menos 5 segundos. Asegúrese de que la cuchilla pueda girar libremente. Si el problema persiste, diríjase a un taller de servicio oficial
	9	Error de batería o ausencia de señal de la batería	Coloque la batería en el producto correc- tamente y examine el conector de la ba- tería. Si el LED de error de la batería parpadea. Consulte la sección <i>Batería en la página 174</i> .
El producto se de- tiene	8	La batería está baja	Cargue la batería. Consulte la sección <i>Para cargar la batería en la página 175</i> .
	0	Fallo del conector de la bate- ría	Examine el conector de la batería
Otros errores	Si se producen otros errores, gire la llave de seguridad a la posición 0, quite la batería y hable con un técnico de servicio autorizado.		

Transporte, almacenamiento y eliminación

Introducción

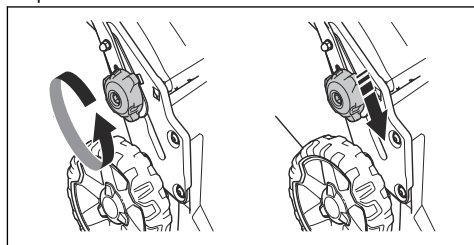


ADVERTENCIA: Para evitar un arranque imprevisto durante el transporte, gire la llave de seguridad hasta la posición 0, retire la batería y espere al menos 5 segundos.

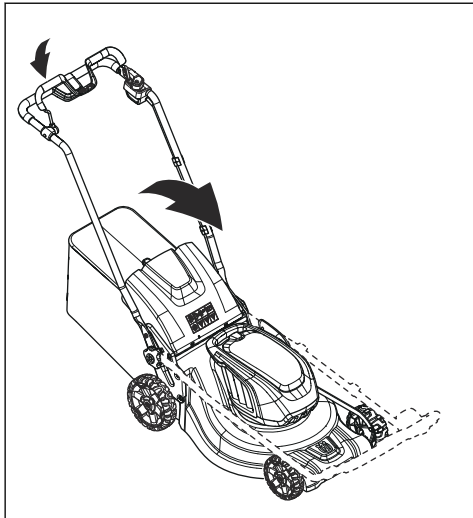
Ajuste del producto a la posición de transporte

1. Afloje las ruedecillas inferiores.

2. Mueva las ruedecillas hacia el extremo inferior de las ranuras en el lado izquierdo y derecho del producto.



3. Doble el mango hacia delante.



4. Retire el recogedor de césped.

- Mantenga el cargador de batería en un lugar cerrado y seco.
- Mantenga la batería y el cargador de batería en un lugar seco donde no haya humedad ni escarcha.
- Cuando guarde la batería, desconéctela del cargador.
- No almacene la batería en lugares donde pueda generarse electricidad estática. No guarde la batería en una caja metálica.
- Conserve la batería en un lugar con una temperatura entre 5 °C y 25 °C y alejada de la luz solar.
- Conserve el cargador de batería en un lugar con una temperatura entre 5 °C y 45 °C y alejada de la luz solar.
- Asegúrese de que la batería esté cargada al 30 %-50 % antes de guardarla durante largos periodos de tiempo.
- Mantenga el producto, la batería y cargador de batería en un lugar bajo llave fuera del alcance de los niños y de personas sin autorización.
- Limpie el producto y realice un mantenimiento completo antes de almacenarlo durante un periodo de tiempo prolongado.

Transporte

- Las disposiciones de la legislación sobre mercancías peligrosas se aplican a las baterías de iones de litio incluidas en el producto.
- Para los transportes comerciales, se deben acatar los requisitos especiales sobre embalajes y etiquetas.
- Asegúrese de que se cumplan las disposiciones sobre materiales peligrosos cuando prepare el producto para su transporte. Se pueden aplicar las regulaciones locales.
- No olvide extraer la batería para el transporte.
- Coloque cinta aislante en los conectores de la batería y asegúrese de que la batería no se desplace durante el transporte.
- Fije el producto durante el transporte.

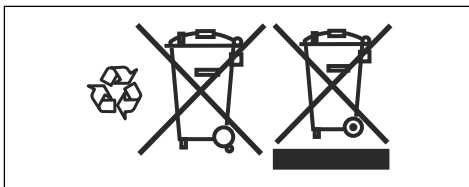
Almacenamiento

- Extraiga siempre la batería para el almacenamiento.
- Para evitar accidentes, asegúrese de que la batería no esté conectada al producto durante el almacenamiento.

Eliminación

Los símbolos del producto o del embalaje del producto indican que este producto no puede desecharse como residuo doméstico. Debe enviarse a una estación de reciclaje apropiada para la recuperación de piezas eléctricas y electrónicas.

Si se asegura de que se trata este producto correctamente, puede ayudar a contrarrestar el posible impacto negativo para el medio ambiente y las personas que podría darse por una gestión incorrecta de los residuos del mismo. Si desea información más detallada sobre el reciclaje de este producto, póngase en contacto con su ayuntamiento, el servicio de recogida de basuras o la tienda donde lo adquirió.



Datos técnicos

Datos técnicos

	LC 247IX/LC 247I	LC 347IVX/LC 347IV	LC 353IVX/LC 353IV
Motor de corte			
Tipo de motor	BLDC (sin cepillo) 36 V	BLDC (sin cepillo) 36 V	BLDC (sin cepillo) 36 V

	LC 247iX/LC 247i	LC 347iVX/LC 347iV	LC 353iVX/LC 353iV
Velocidad del motor - SavE, rpm	2600	2600	2600
Velocidad del motor - nominal, rpm	3000	3000	3000
Régimen del motor - carga alta, rpm	3500	3500	3500
Salida del motor - máx. kW	0,96	0,96	1,05
Salida del motor - nominal, kW	0,75	0,75	0,9
Motor de accionamiento			
Potencia del motor (nominal), kW	N/P	0,25	0,25
Velocidad de movimiento, km/h	N/P	3,0-4,5	3,0-4,5
Niveles de ajuste de velocidad	N/P	4	4
Peso			
Peso sin batería, kg	24	26	28
Batería			
Tipo de batería	Serie con batería Husqvarna	Serie con batería Husqvarna	Serie con batería Husqvarna
Duración de la batería			
Autonomía de la batería, min., (funcionamiento continuo) con modo SavE activado, con una batería Husqvarna de 5,2 Ah (Bli200).	43	43	32
Autonomía de la batería, min., (funcionamiento continuo) con modo estándar activado, con una batería Husqvarna de 5,2 Ah (Bli200).	30	30	20
Emisiones de ruido ¹⁹			
Nivel de potencia acústica medida, dB(A)	94	94	97
Nivel de potencia acústica garantizado L _{WA} dB(A)	95	95	98
Niveles acústicos ²⁰			
Nivel de presión sonora en el oído del operario, dB (A)	82	82	86
Niveles de vibraciones ²¹			
Manillar, m/s ²	0,42	0,42	2,64
Equipo de corte			
Altura de corte, mm	20-75 mm	20-75 mm	20-75 mm

¹⁹ Emisiones sonoras en el entorno medidas como potencia acústica (L_{WA}) según la directiva CE 2000/14/CE.

²⁰ Los datos referidos del nivel de presión sonora tienen una dispersión estadística habitual (desviación típica) de 1,2 dB (A).

²¹ Los datos referidos del nivel de vibración poseen una dispersión estadística habitual (desviación típica) de 0,2 m/s². Vibración estándar EN 60335-2-77:2017 capítulo 20.105

	LC 247iX/LC 247i	LC 347iVX/LC 347iV	LC 353iVX/LC 353iV
Anchura de corte, cm	47	47	53
Cuchilla estándar	Recogedora 5905934-10	Recogedora 5905934-10	Recogedora 5940757-10
Accesorio de cuchilla	Trituradora 5907010-10	Trituradora 5907010-10	Trituradora 5950072-10
Capacidad del recogedor de césped, litros	55	55	60

Transmisión de datos por radiofrecuencia para Bluetooth®	LC 247iX	LC 347iVX	LC 353iVX
Banda de frecuencia, GHz	2,4-2,4835	2,4-2,4835	2,4-2,4835
Potencia de salida, dBm máx.	4	4	4

Baterías homologadas	Tipo	Capacidad de la batería, Ah	Tensión, V	Peso, lb/kg
BLi20	iones de litio	4,0	36	2,6/1,2
BLi30	iones de litio	7,7	36	4,2/1,9
BLi200	iones de litio	5,2	36	2,8/1,3
BLi300	iones de litio	9,4	36	4,1/1,9

Cargadores de baterías homologados para las baterías especificadas, BLi	Tensión de entrada, V	Frecuencia, Hz	Potencia, W
QC80	100-240	50-60	80
QC80F	12	0	80
QC250	100-240	50-60	250
QC330	100-240	50-60	330
QC500	100-240	50-60	500

Declaración de conformidad CE

Declaración de conformidad CE

Husqvarna AB, SE-561 82 Huskvarna, Suecia, tel.: +46-36-146500, declara que el **cortacésped Husqvarna LC 247i, LC 247iX, LC 347iV, LC 347iVX, LC 353iV, LC 353iVX** del año 2018 y siguientes cumple los requisitos expuestos en la DIRECTIVA DEL CONSEJO:

- del 8 junio de 2011 sobre la "restricción de utilización de determinadas sustancias peligrosas" **2011/65/UE**.
- Del 17 de mayo de 2006 "relativa a máquinas", **2006/42/CE**.
- de 8 de mayo de 2000 "relativa a emisiones sonoras en el entorno", **2000/14/CE**.

Para obtener información respecto a las emisiones sonoras, consulte *Datos técnicos en la página 182*.

Se han aplicado las normas siguientes:

EN/IEC 60335-1, EN/IEC 60335-2-77, EN/IEC 62233, EN 55014-1, EN ETSI 301 489-7 v1.3.1, EN 61000-6,

ETSI EN 61000-6-1, EN 300 328 BT low energy Tx/Rx, EN 50581

Si no se indica lo contrario, las normas anteriormente indicadas constituyen las últimas versiones publicadas.

Organismo notificado: **0404, RISE SMP Svensk Maskinprovning AB, Box 7035, SE-750 07 Uppsala** ha realizado una evaluación de conformidad según lo que se indica en el Anexo VI de la Directiva 2000/14/CE.

Huskvarna, 2020-04-22



Claes Losdal, Director de desarrollo/productos para el jardín (representante autorizado de Husqvarna AB y responsable de la documentación técnica).

Marcas comerciales registradas

Los logotipos y las denominaciones *Bluetooth®* son marcas comerciales registradas propiedad de *Bluetooth SIG, inc.* y su uso por parte de Husqvarna está sujeto a una licencia.

Sisukord

Sissejuhatus.....	186	Veaotsing.....	204
Ohutus.....	190	Transportimine, hoiulepanek ja utiliseerimine.....	206
Kokkupanek.....	197	Tehnilised andmed.....	207
Töö.....	198	EÜ vastavusdeklaratsioon.....	209
Hooldamine.....	203	Registreeritud kaubamärgid.....	209

Sissejuhatus

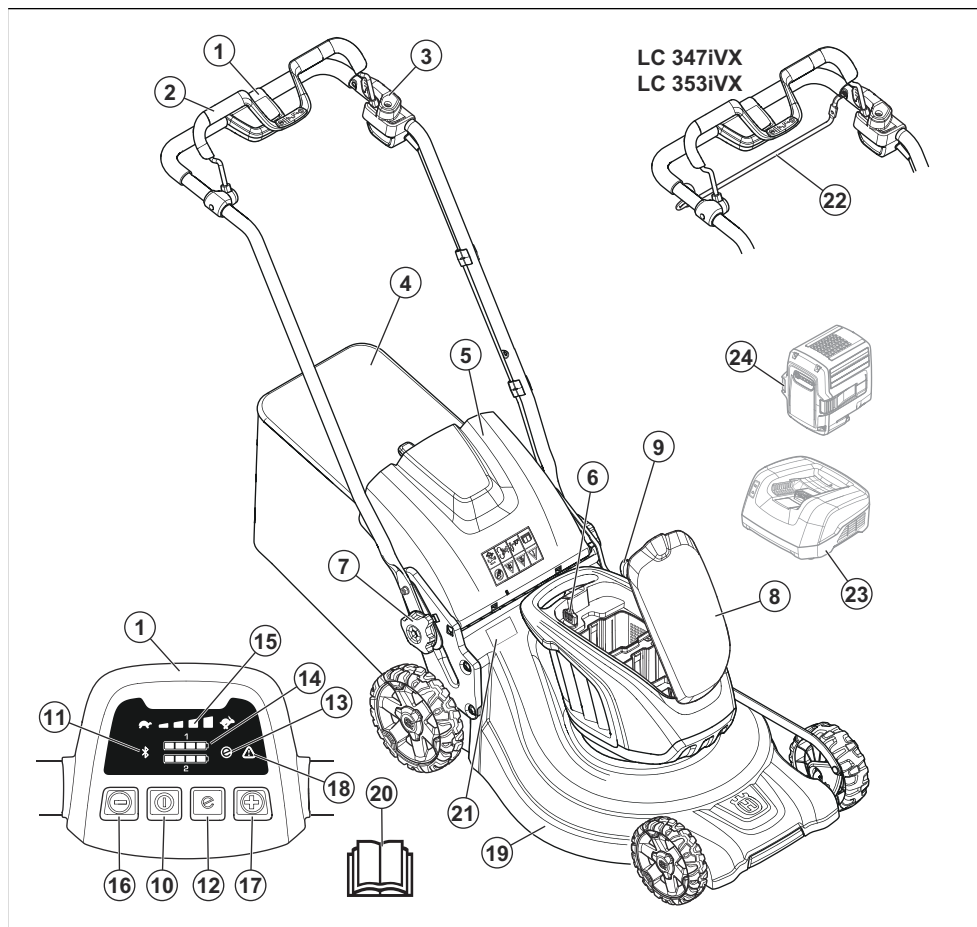
Toote kirjeldus

Tooteks on lükatav ja pöörlev muruniiduk. Muru kogutakse rohukogurisse. Kui soovite, et muru väljutataks tagant, eemaldage rohukogur. Selleks et muru lõigataks väetiseks, paigaldage multšimiskomplekt (lisavarustus).

Kasutusotstarve

Kasuta toodet muru pügamiseks. Ära kasuta toodet muude tööde tegemiseks.

Toote tutvustus



- | | |
|--|--|
| 1. Juhtpaneel | 15. Kiirusenäidik (LC 347iV, LC 347iVX, LC 353iV, LC 353iVX) |
| 2. Mootori pidurikäepide | 16. Kiiruse vähendamise nupp (LC 347iV, LC 347iVX, LC 353iV, LC 353iVX) |
| 3. Käivitustõkesti | 17. Kiiruse suurendamise nupp (LC 347iV, LC 347iVX, LC 353iV, LC 353iVX) |
| 4. Rohukogur | 18. Tõrke LED-tuli |
| 5. Tagumine kate | 19. Lõikekorpus |
| 6. Ohutusüliti | 20. Kasutusjuhend |
| 7. Juhtraua nupp | 21. Andmesilt |
| 8. Akukate | 22. Veo käepide (LC 347iV, LC 347iVX, LC 353iV, LC 353iVX) |
| 9. Lõikekõrguse regulaator | 23. Akulaadija (lisatarvik) |
| 10. Sisse- ja väljalülitusnupp | 24. Aku (lisatarvik) |
| 11. Juhtmeta Bluetooth®-tehnoloogia näidik | |
| 12. SavE-nupp | |
| 13. SavE-näidik | |
| 14. Akunäidik | |

Sümbolid seadmel



HOIATUS! Olge ettevaatlik ja kasutage toodet õigesti. Seade võib põhjustada kasutaja või kõrvaliste isikute ohtliku kehavigastuse või surma.



Enne seadme kasutamist lugege kasutusjuhend hoolikalt läbi ja veenduge, et kõik juhised oleksid täiesti arusaadavad.



Teised inimesed ja loomad peavad viibima tööalast ohutus kauguses.



Olge ettevaatlik - lenduvad esemed ning tagasipõrkumise oht.



Hoiatus! Hoidke käed ja jalad pöörlevast terast eemal.



Hoiatus! Hoidke käed ja jalad pöörlevatest osadest eemal.



Enne remondi- või hooldustöö alustamist eemaldage ohutusvõti.



Ärge jätke vihma kätte.



Toode või toote pakend ei kuulu olmejäätmete hulka. Toimetage see elektri- ja elektroonikajäätmete ringlussevõtukeskusesse.



See seade vastab kehtivatele EÜ direktiividele.



See seade vastab kehtivatele Euraasia Tolliliidu direktiividele.



See seade vastab kehtivatele UkrSEPRO direktiividele.



See seade vastab kehtivatele RCMi direktiividele. Kehtib ainult Austraalias ja Uus-Meremaal



Keskkonda paisatava müra tase vastab

Euroopa direktiivi 2000/14/EÜ ja Uus Lõuna-Walesi seaduse „Protection of the Environment Operations (Noise Control) Regulation 2017“ nõuetele. Mürataseme andmed on toodud seadme sildil ja peatükis Tehnilised andmed.

IPX1 Toode on pritsmekindel.

Käivitamine: vajutage nuppu ON/OFF, avage käivitustakisti, lükake mootori pidurikäepide alla.



Seiskamiseks vabastage mootori pidurikäepide.



Aeglane



Kiire



Skannitav kood

Märkus: Ülejäänud seadmel toodud sümbolid/tähised vastavad teatud riikides kehtivatele sertifitseerimisnõuetele.

Silt seadmel



Hoidke käed ja jalad pöörlevatest teradest eemal.

Tootevastutus

Tootevastutusseaduste alusel ei vastuta me tootest tingitud kahjustuste eest, kui:

- toodet on valesti parandatud;
- toote parandamisel on kasutatud osi, mis ei ole tootja poolt valmistatud või heaks kiidetud;
- tootel on kasutatud tarvikut, mis ei ole tootja poolt valmistatud või heaks kiidetud;
- toodet ei ole parandatud volitatud hoolduskeskuses või volitatud isiku poolt.

Ohutuse määratlused

Mõistetega „hoiatus”, „ettevaatust” ja „märkus” juhitakse tähelepanu eriti olulistele kohtadele kasutusjuhendis.



HOIATUS: Tähistab kasutusjuhendi juhiste eiramise korral kasutaja või kõrvalseisjate kehavigastuse või surmaga lõppeva õnnetuse ohtu.



ETTEVAATUST: Tähistab kasutusjuhendi juhiste eiramise korral seadme, muude esemete või läheduses asuvate objektide kahjustamise ohtu.

Märkus: Tähistab antud olukorras vajalikku lisateavet.

Üldised ohutuseeskirjad



HOIATUS: Enne seadme kasutamist lugege läbi järgnevad hoiatused.

- Toode on ohtlik, kui seda kasutada valesti või ettevaatamatult. Ohutuseeskirjade eiramine võib põhjustada kehavigastuse või surma.
- Seade tekitab töötades elektromagnetvälja. Teatud tingimustel võib väli häirida aktiivsete või passiivsete meditsiiniliste implantaatide tööd. Raskete või surmaga lõppevate kehavigastuste ohu vähendamiseks soovitame meditsiinilisi implantaate kasutavatel inimestel pidada enne selle seadme kasutamist nõu oma arsti ja implantaadi valmistajaga.
- Olge alati ettevaatlik ja kasutage tervet mõistust. Kui te pole kindel, kuidas toodet eriolukorras kasutada, lõpetage töö ja pidage enne jätkamist nõu Husqvarna edasimüüjaga.
- Arvestage, et teiste isikute ja nende varaga seotud õnnetuste korral kannab vastutust seadme kasutaja.
- Hoidke toode puhas. Veenduge, et märgid ja tähised oleksid selgelt loetavad.

- Ärge kunagi lubage lastel või nende juhistega mittetutvunud inimestel seadet kasutada. Kohalikud kehtivad eeskirjad võivad piirata kasutaja lubatud vanust
- Kui toodet kasutab piiratud füüsiliste või vaimsete võimetega isik, peab ta olema kogu aeg järelevalve all. Vastutusvõimeline täiskasvanu peab kogu aeg kasutaja juures viibima.
- Ärge kasutage toodet, kui olete väsinud, haige või tarvitanud alkoholi, narkootikume või ravimeid. Sellel on negatiivne mõju teie nägemisele, tähelepanuvõimele, liikumisele ja otsustamisvõimele.
- Ärge kasutage toodet, kui see on kahjustatud.
- Ärge muutke toodet ega kasutage seda, kui keegi teine võib olla seda muutnud.
- Lõikeosaga kokku puutuvad esemed võivad õhku paiskuda ning inimesi vigastada ja esemeid kahjustada. Juuresolijad ja loomad peavad viibima tootest ohutus kauguses.
- Ärge kasutage toodet halva ilmaga, näiteks udu, vihma, tugeva tuule, tugeva pakase ja pikseohu korral. Toote kasutamine halva ilma ning niiskete ja märgade tingimuste korral on väsitav. Halb ilm võib põhjustada ohtlikke tingimusi (nt libedaid pindu).
- Suhtuge tähelepanelikult inimestesse, esemetesse ja olukordadesse, mis võivad takistada toote ohutut kasutamist.
- Olge ettevaatlik takistuste (nt juurte, kivide, oksade, aukude ja kraavide) suhtes. Kõrge rohi võib peita takistusi.
- Muru niitmine kallakutel võib olla ohtlik. Ärge niitke väga järskudel nõlvadel. Ärge kasutage toodet alal, mille kalle ületab 15°
- Kaldpinnal suunda muutes olge äärmiselt ettevaatlik. Kasutage toodet kallakul risti liikudes. Ärge liikuge üles ja alla.

Tööala ohutus



HOIATUS: Enne seadme kasutamist lugege läbi järgnevad hoiatused.

- Enne toote kasutamist eemaldage tööalalt oksad ja kivid.

- Olge ettevaatlik varjatud nurkade ja vaatevälja varjavate esemete läheduses.

Tööohutus



HOIATUS: Enne seadme kasutamist lugege läbi järgnevad hoiatused.

- Kasutage seda toodet ainult muru niitmiseks. Muude toimingute tegemiseks toodet kasutada ei tohi.
- Kasutage isikukaitsevahendeid. Vt jaotist *Isikukaitsevahendid lk 193*.
- Veenduge, et teate, kuidas hädaolukorras mootorit kiiresti seisata.
- Toodet ei tohi kasutada vihma käes või märjas keskkonnas. Toote sisse pääsenud vesi suurendab elektrilöögi ohtu.
- Ärge kasutage toodet enne, kui löiketera ja katted on õigesti kinnitatud. Valesti kinnitatud löiketera võib lahti tulla ja inimesi vigastada.
- Veenduge, et löiketera ei puutuks kokku esemetega (nt kivide ja juurtega). See võib löiketera kahjustada ja põhjustada mootori võlli väändumist. Paindega telg põhjustab tugevat vibratsiooni ja suurt löiketera lahtitulemise ohtu.
- Kui löiketera puutub kokku mõne esemega või esineb vibratsioon, peatage toode viivitamatult. Seisake mootor, keerake ohutuslüli asendisse 0 ja eemaldage aku. Kontrollige toodet kahjustuste suhtes. Parandage kahjustused või laske toodet remontida volitatud hooldustöökojas.
- Kui mootor töötab, ärge kinnitage kunagi mootori pidurikäepidet püsivalt käepideme külge.
- Asetage toode stabiilsele ja tasasele pinnale ning käivitage see. Veenduge, et löiketera ei puutuks vastu maad ega muid esemeid.
- Olge toote kasutamisel alati toote taga.
- Tootte kasutamisel hoidke mõlema käega käepidemest ja kõik toote rattad maas. Hoidke käed ja jalad liikuvatest teradest eemal.
- Kui mootor on käivitatud, ärge kallutage toodet.
- Olge toote tagasisuunas tõmbamisel ettevaatlik.
- Kui mootor on käivitatud, ärge tõstke toodet. Kui teil on vaja toode üles tõsta, seisake

esmalto mootor, keerake ohutuslüli asendisse 0 ja eemaldage aku.

- Ärge kõndige toote kasutamise ajal tagurpidi.
- Seisake mootor, kui liigute alal, kus pole muru, näiteks kruusa-, kivi- ja asfaltkattega teedel.
- Ärge lükake toodet joostes, kui mootor on käivitatud. Toote kasutamise ajal kõndige.
- Enne löikamiskõrguse muutmist seisake mootor. Ärge tehke seadistusi, kui mootor töötab.
- Ärge laske toodet silmist, kui mootor töötab. Seisake mootor ja veenduge, et löikeosa ei pöörleks.

Ohutusjuhised kasutamisel

Isikukaitsevahendid



HOIATUS: Enne seadme kasutamist lugege läbi järgnevad hoiatused.

- Isikukaitsevarustus ei välista täielikult kehavigastuste ohtu, kuid vähendab õnnetusjuhtumi korral kehavigastuse raskusastet. Õige varustuse valimiseks pöörduge edasimüüja poole.

- Kandke vastupidavaid saapaid või jalatseid, mis on libisemiskindlad. Ärge kandke avatud jalatseid ega olge paljajalu.
- Kandke tugevaid pikki pükse.
- Vajaduse korral kandke kaitsekindaid, näiteks löikeosa kinnitades, kontrollides või puhastades.

Toote ohutusseadised



HOIATUS: Enne seadme kasutamist lugege läbi järgnevad hoiatused.

- Ärge kunagi kasutage seadet, kui selle ohutusseadised on defektsed.
- Kontrollige ohutusseadiseid regulaarselt. Kui ohutusseadised on defektsed, pöörduge Husqvarna hooldustöökotta.

Löikeosa katte kontrollimine

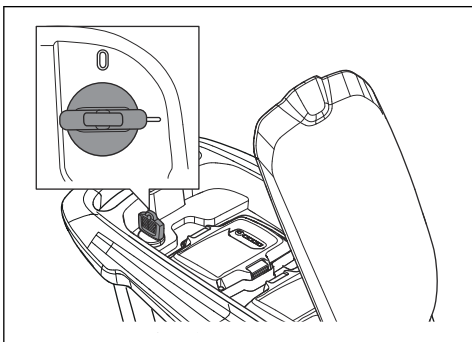
Löikeosa kate vähendab toote vibratsiooni ja löiketerast tingitud vigastuste ohtu.

- Kontrollige löikeosa kahjustuste (nt pragude) suhtes.

Ohutuslüli

Ohutuslüli asub akukaane all. Ohutuslüli abil ühendatakse aku, mis varustab mootori toitega.

- Ohutuslüli kontrollimiseks käivitage ja seisake mootor.
- Kui ohutuslüli on töökorras, siis käivitub mootor üksnes ohutuslüli keeramisel asendisse 1.

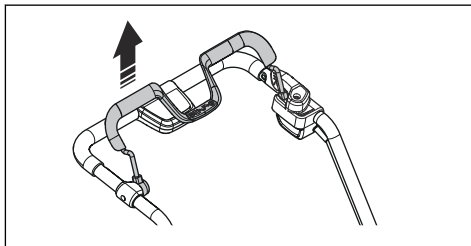


Mootori pidurikäepide

Mootori pidurikäepideme abil saab mootori seisata. Mootori pidurikäepideme vabastamisel mootor seiskub.

Mootoripiduri kontrollimiseks käivitage mootor ja vabastage mootori pidurikäepide. Kui mootor kolme sekundi jooksul ei seisku, laske mootoripidurit

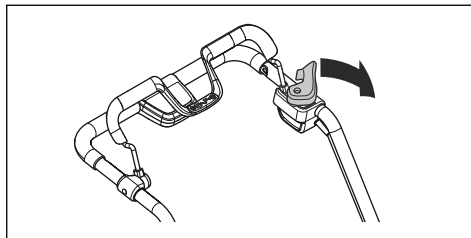
Husqvarna volitatud hooldustöökojas reguleerida.



Käivitustõkesti kontrollimine

Kontrollige, kas käivitustõkesti takistab mootori tööd.

1. Lükake mootori pidurikäepidet juhtraua suunas. Käivitustõkesti peatab liikumise.
2. Lükake käivitustõkesti välja.



3. Laske käivitustõkesti lahti ja veenduge, et see läheks tagasi lähteasendisse.

Aku ohutus



HOIATUS: Enne seadme kasutamist lugege läbi järgnevad hoiatused.

- Kasutage seotud Husqvarna toodete toiteallikana alati

üksnes Husqvarna taaslaetavaid akusid. Kehavigastuse vältimiseks ärge kasutage akut muude seadmete toiteallikana.

- Ärge kasutage mittetaaslaetavaid akusid.
- Elektrilöögioht! Ärge ühendage akuklemme võtmete, müntide, kruvide või muude metallesemetega. See võib tekitada akus lühise.
- Ärge asetage esemeid aku õhuavade sisse ja ette.
- Vältige aku kokkupuudet otsese päikesevalguse, kuumuse ja lahtise leegiga. Aku võib plahvatada ja põhjustada põletusi ja/või keemilisi põletusi.
- Vältige aku kokkupuudet vihma ja märja keskkonnaga.
- Vältige aku kokkupuudet mikrolainete ja kõrgsurvega.
- Ärge demonteerige ega lõhkuge akut.
- Aku lekke korral vältige vedeliku kokkupuudet keha ja silmadega. Kui vedelik satub kehale, puhastage kokkupuutunud ala rohke veega ja seejärel pöörduge arsti poole.
- Kasutage akut keskkonnas, mille temperatuur jääb vahemikku -10 kuni 40 °C.

- Ärge puhastage akut või akulaadijat veega. Vt jaotist *Aku ja akulaadija puhastamine lk 203*.
- Ärge kasutage defektset või kahjustatud akut.
- Ladustage akusid metallesemetest (nt naelad, mündid, ehted) eemal.

Akulaadija ohutus



HOIATUS: Enne seadme kasutamist lugege läbi järgnevad hoiatused.

- Kasutage Husqvarna asendusakude laadimiseks ainult QC akulaadijaid.
- Elektrilöögi ja lühise oht. Ärge asetage esemeid laadija õhuavade sisse ja ette. Ärge püüdke akulaadijat lahti monteerida. Ärge ühendage laadija klemme metallesemete külge. Kasutage heakskiidetud võrgupistikupesa.
- Seade tekitab töötades elektromagnetvälja. Teatud tingimustel võib väli häirida aktiivsete või passiivsete meditsiiniliste implantaatide tööd. Raskete või surmaga lõppevate kahjustuste ohu vähendamiseks soovitame meditsiinilisi implantaate kasutavatel inimestel pidada

enne selle toote kasutamist nõu oma arsti ja implantaadi valmistajaga.

- Kontrollige regulaarselt, kas akulaadija toitejuhe on kahjustada saanud ja kas sellel on pragusid.
- Ärge tõstke akulaadijat toitejuhtmest hoides. Akulaadija võrgupistikupesast lahutamiseks tõmmake pistikut. Ärge tõmmake toitejuhet.
- Vältige toitejuhtme ja pikendusjuhtme kokkupuudet vee, õli ja teravate servadega. Jälgige, et juhe ei jääks uste, väravate jms vahele. See võib põhjustada laadija sattumise pingele alla.
- Ärge puhastage akulaadijat veega.
- Akulaadijat võivad kasutada lapsed alates 8. eluaastast ja isikud, kellel on vähenenud füüsilised, sensoorsed või vaimsed võimed või puudulikud teadmised ja kogemused, kui neid jälgib või juhendab vastutav isik, kes tagab, et nad kasutavad akulaadijat ohutult ning mõistavad seotud ohtusid. Lapsed ei tohi akulaadijaga mängida. Lapsed ei tohi

seadet ilma järelevalveta puhastada ega hooldada.

- Ärge laadige akulaadijas mittelaetavaid akusid.
- Ärge kasutage akulaadijat tuleohtlike või korrosiooni tekitavate materjalide läheduses. Ärge katke akulaadijat. Suitsu või tule tekke korral eemaldage pistik akulaadijast.
- Ärge kunagi kasutage defektset või kahjustunud akulaadijat.
- Laadige akut ainult hea õhuvahetusega siseruumis ja päikesevalguse eest kaitstuna. Ärge laadige akut märjas keskkonnas.

Ohutusjuhised hooldamisel



HOIATUS: Enne seadme kasutamist lugege läbi järgnevad hoiatused.

- Hooldustööde ajal juhusliku käivitumise vältimiseks keerake ohutuslüli asendisse 0 ja eemaldage aku. Enne hooldustööde alustamist oodake vähemalt viis sekundit.
- Toote kasutusea tõstmiseks ja õnnetuste ohu vähendamiseks tehke kõik hooldustööd korrektselt. Laske professionaalsed

parandustööd teha volitatud hooldustöökojas. Lisateavet küsige lähimast hooldustöökojast.

- Hooldage toodet ainult selle kasutusjuhendi järgi. Keerukamad tööd laske teostada volitatud hooldustöökojas.
- Lõikeosa käsitsedes kandke alati tugevaid kindaid. Lõiketera on väga terav ja võib kergesti põhjustada lõikevigastusi.
- Parima ja ohutuima töö tagamiseks hoidke lõikeservad teravana ja puhtana.
- Laske hooldustöökojas toodet korrapäraselt kontrollida ning

teha vajalikke seadistamisi ja parandusi.

- Asendage kahjustatud, kulunud ja katkised osad.
- Järgige tarvikute vahetamise juhiseid. Kasutage ainult tootja valmistatud tarvikuid.
- Kui toodet ei kasutata, eraldage toode, aku ja akulaadija ning hoidke neid kuivas ja lukustatud siseruumis. Veenduge, et lastel ja ilma vastava volitusega kõrvalistel isikutel puuduks juurdepääs tootele, akule ja akulaadijale.

Kokkupanek

Sissejuhatus



HOIATUS: Enne toote kokkupanemist lugege läbi ohutust puudutav peatükk.

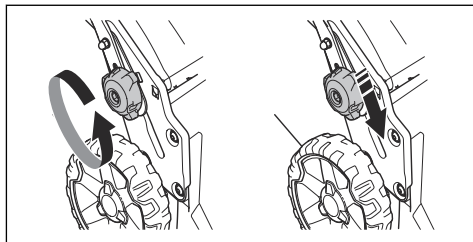


HOIATUS: Kokkupanemise ajal juhusliku käivitumise vältimiseks keerake ohutuslülitit asendisse 0, eemaldage aku ja oodake vähemalt viis sekundit.

Käepideme reguleerimine

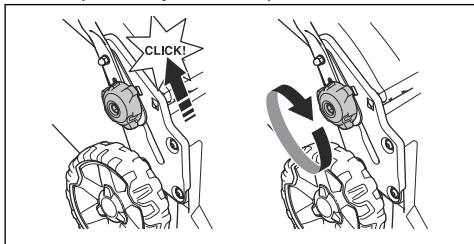
1. Keerake alumised hoovad lahti.

2. Liigutage nupud toote vasakul ja paremal küljel olevatesse soonetesse.



3. Reguleerige käepideme kõrgus ühte kahest võimalikust asendist.

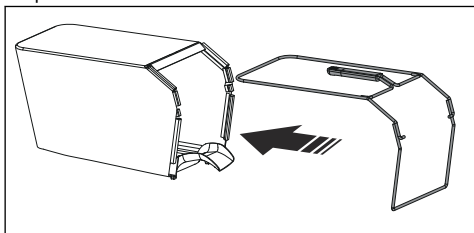
- Liigutage nuppusid üles käepideme suunas, kuni need peatuvad ja kostub klõpsatus.



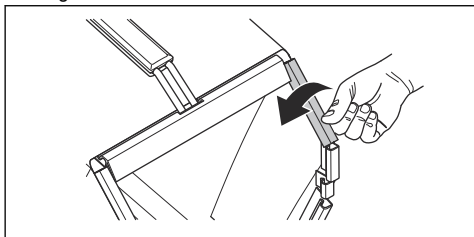
- Keerake nupud korralikult kinni.

Rohukoguri kokkupanek

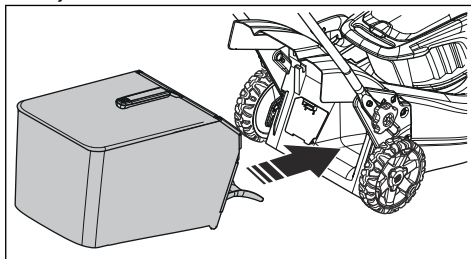
- Kinnitage rohukoguri raam rohukoti külge nii, et koti jäik osa jääb põhja. Hoidke raami käepidet rohukoti peal.



- Kinnitage rohukoguri raami alumine osa rohukoguri allosas asuvasse soonde.
- Kinnitage rohukott klambritega rohukoguri raami külge.

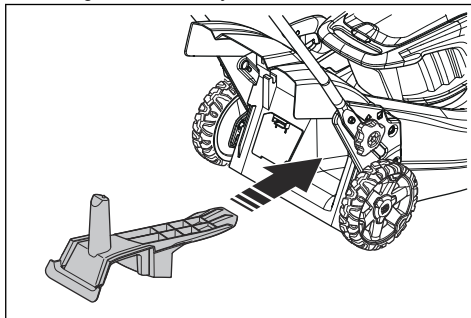


- Kergitage tagakaant.
- Kinnitage rohukoguri raami ülaservale.
- Asetage rohukoguri alaosa muru väljaviskekanalisse.



Multšikorgi (lisatarvik) kokkupanek

- Kergitage tagakaant ja eemaldage rohukoguri.
- Asetage multšikork väljaviskekanalisse.



- Asendage lõiketera multšimiskomplektis oleva multšimisteraga. Vt jaotist *Lõiketera eemaldamine ja vahetamine lk 204*.

Töö

Sissejuhatus



HOIATUS: Enne seadme kasutamist lugege põhjalikult läbi ohutust puudutavat jaotist.

Husqvarna Connect

Husqvarna Connect on mobiilsideseadmetele mõeldud tasuta rakendus. Rakendus Husqvarna Connect annab teie Husqvarna tootele lisafunktsionaalsuse:

- Täiendav tooteteave.

- Toote osade ja hoolduse alane teave ja abi.

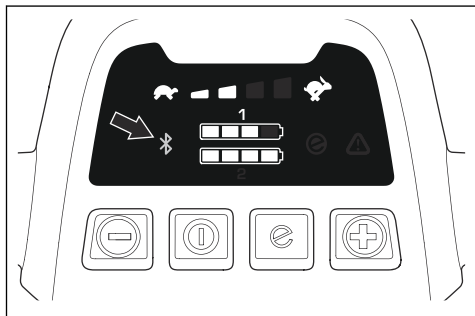
Toote Husqvarna Connect kasutamise alustamine

- Laadige Husqvarna Connect rakendus oma mobiilsideseadmesse.
- Registreeruge Husqvarna Connect rakenduses.
- Toote ühendamiseks ja registreerimiseks järgige Husqvarna Connect rakenduse juhiseid.

Bluetooth®-i teave (LC 247iX, LC 347iVX, LC 353iVX)

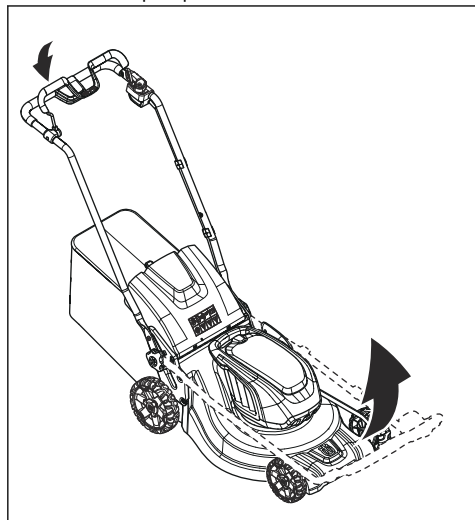
Juhtmeta Bluetooth®-tehnoloogia

Juhtmeta Bluetooth®-tehnoloogia sümbol süttib, kui tootega on ühenduse loonud teie mobiilseade.

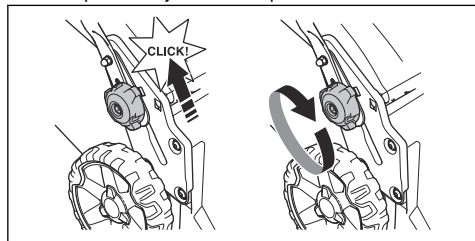


Toote seadmine tööasendisse

1. Pöörake käepide püstasendisse.



2. Liigutage nuppusid üles käepideme suunas, kuni need peatuvad ja kostub klõpsatus.

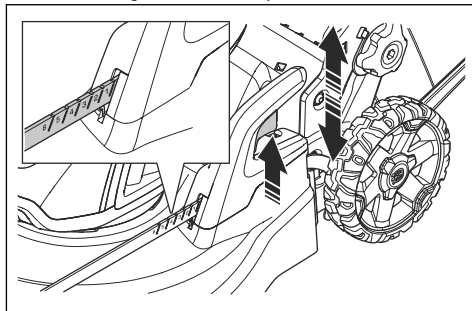


3. Keerake nupud korralikult kinni.

Lõikamiskõrguse reguleerimine

Lõikamiskõrgust saab seadistada kuuele erinevale kõrgusele.

1. Lõikamiskõrguse vähendamiseks tõmmake lõikamiskõrguse hooba allapoole.
2. Lõikamiskõrguse suurendamiseks lükake lõikamiskõrguse hooba ülespoole.



ETTEVAATUST: Ärge seadistage lõikamiskõrgust liiga madalaks. Kui muru pole tasane, võivad lõiketerad puutuda vastu maad.

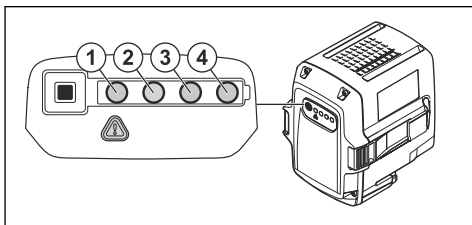
Aku



HOIATUS: Enne aku kasutamist lugege läbi ohutust puudutav jaotis ja veenduge, et oleksite kõigest aru saanud. Samuti tuleb läbi lugeda aku ja akulaadija kasutusjuhend ning veenduda, et kogu teave on arusaadav.

Aku olek

Ekraanil kuvatakse aku järelejäänud mahtuvus ja akuga seotud mis tahes probleemid. Aku mahtuvus kuvatakse viie sekundi jooksul pärast seadme väljalülitamist või akunäidikuga nupu vajutamisel. Akul olev hoiatussümbol süttib tõrke ilmnemisel. Vt jaotist *Aku lk 204*.



LED-tuled	Aku olek
Kõik LED-tuled põlevad	Täis (75–100%).

LED-tuled	Aku olek
LED 1, LED 2, LED 3 põlevad	Aku on laetud 50–75%
LED 1, LED 2 põlevad	Aku on laetud 25–50%
LED 1 põleb	Aku on laetud 0–25%
LED 1 vilgub	Aku on tühi. Laadige akut.

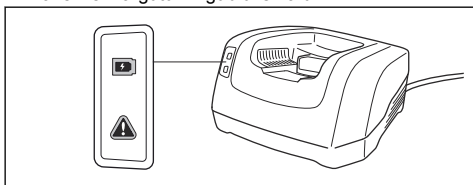
Aku laadimine

Enne esimest kasutuskorda laadige aku täis. Kliendile tarnimisel on aku laetud üksnes 30% ulatuses.

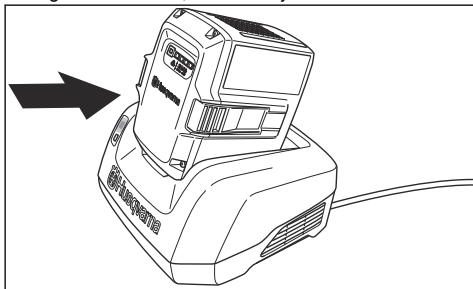
Märkus: Akulaadija tuleb ühendada tüübisildil näidatud pinge ja sagedusega võrku.

Aku laadimist ei toimu, kui aku temperatuur on üle 50 °C. Enne laadimise alustamist langetab akulaadija aku temperatuuri vajalikule tasemele.

1. Ühendage akulaadija toitejuhtme üks ots akulaadija pesasse.
2. Ühendage akulaadija toitejuhtme teine ots maandatud võrgupistikupesasse. Akulaadijal olev roheline märgutuli vilgub üks kord.



3. Asetage aku akulaadijasse. Kui aku on akulaadijaga õigesti ühendatud, süttib laadijal roheline tuli.



4. Kui aku kõik märgutuled põlevad, on aku täis. Ärge laadige akut kauem kui 24 tundi.
5. Akulaadija toitejuhtme võrgupistikupesast lahutamisel tõmmake pistikust, mitte juhtmest.
6. Eemaldage aku laadijast.

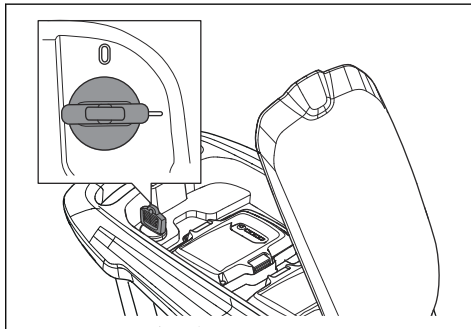
Aku laadimisolek

Husqvarna Liitium-ioonakut saab laadida ja kasutada kõikidel laadimistasemetel. Aku ei ole kahjustunud. Täis laetud aku ei tühjene, kui aku laadijasse jätta.

LED-näidik	Laadimisolek
LED 1 vilgub	0–25%
LED 1 põleb, LED 2 vilgub	25–50%
LED 1, LED 2 põlevad, LED 3 vilgub	50–75%
LED 1, LED 2, LED 3 põlevad, LED 4 vilgub	75–100%
LED 1, LED 2, LED 3, LED 4 põlevad	Täielikult laetud

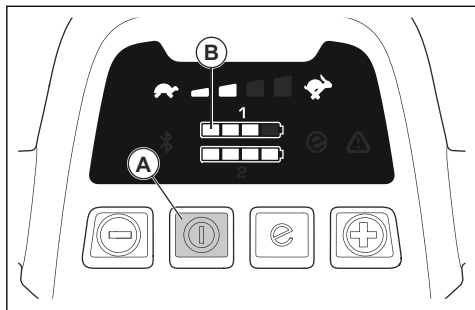
Seadme käivitamine

1. Avage akukaas.
2. Asetage laetud aku ühte akuhoidikusse. Tööea pikendamiseks asetage teise akuhoidikusse teine laetud aku.
3. Keerake ohutuslülitit asendisse 1.

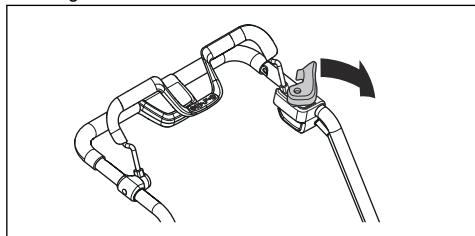


4. Olge toote taga.

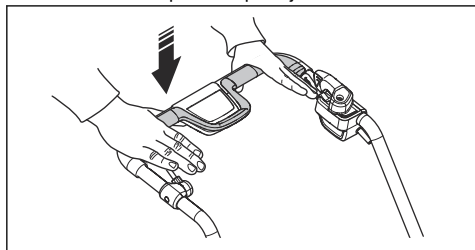
5. Vajutage juhtimispaneelil sisse- ja väljalülitusnupp (A). Ekraan lülitub sisse. Akunäidikul (B) on kuvatud 2 aku laetuse tase. Töötavat akut tähistav number on kuvatud akunäidiku kõrval. Mudelite LC 347iV, LC 347iVX, LC 353iV, LC 353iVX puhul on ekraanil kuvatud ka määratud kiirus.



6. Avage käivitustökesti.

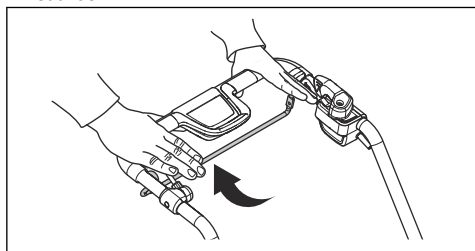


7. Lükake mootori pidurikäepidet juhtraua suunas.

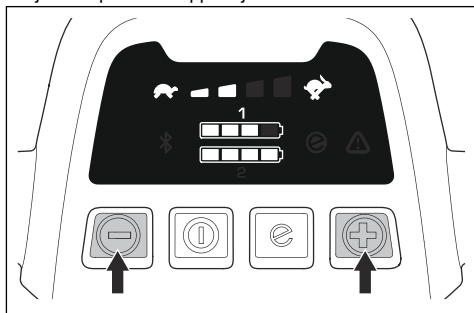


Veo kasutamine ratastel LC 347iV, LC 347iVX, LC 353iV, LC 353iVX

- Veo alustamiseks tõmmake veo käepidet juhtraua suunas.



- Veokiiruse määramiseks neljas astmes vajutage juhtimispaneelil nuppe + ja -.

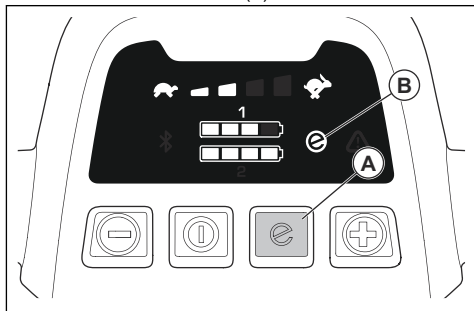


- Veo vabastamiseks vabastage veo käepide näiteks siis, kui läheneate takistusele.

Funktsiooni kasutamine

Toode on varustatud akusaastufunktsiooniga (), mis pikendab aku tööiga.

1. Funktsiooni käivitamiseks vajutage nuppu (A). Ekraanil süttib sümbol (B).
2. Funktsiooni peatamiseks vajutage uuesti nuppu . Ekraanil kuvatud sümbol (B) kustub.



Kui maapinna tingimused nõuavad suuremat võimsust, seiskub funktsioon automaatselt. Kui maapinna tingimused seda lubavad, käivitub funktsioon automaatselt uuesti.

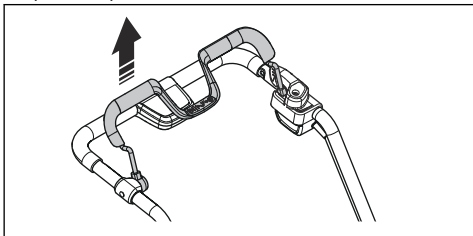
Suure koormuse funktsioon

Kui seade niidab märga või pikka rohtu, suureneb mootori pöörete arv minutis automaatselt. Kui koormus langeb, lülitub mootor automaatselt tagasi tavarežiimile.

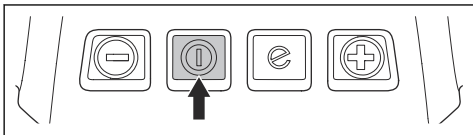
Toote seiskamine

Kui seadet 10 minuti jooksul ei kasutata, seiskub see automaatselt. Enne toote järelevalveta jätmist keerake ohutuslüli alati asendisse 0.

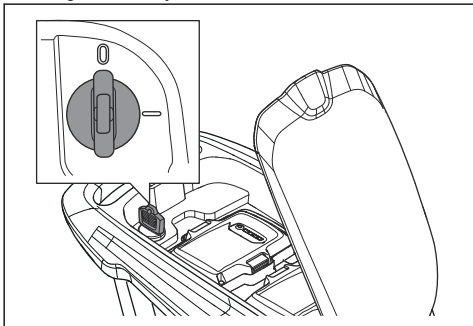
1. Mootori seiskamiseks vabastage mootori pidurikäepide.



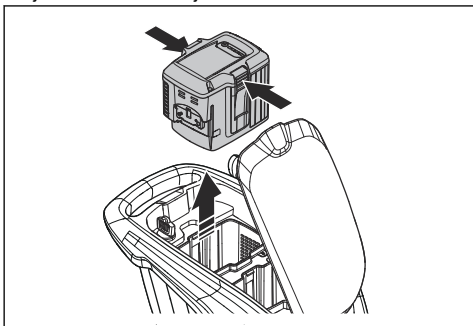
2. Vajutage juhtimispaneelil sisse- ja väljalülitusnuppu. Kõik põlevad LED-tuled ja ekraanil kuvatud sümbolid kustuvad.



3. Avage akukaas ja keerake ohutuslüli asendisse 0.



4. Aku eemaldamiseks vajutage kahte vabastusnuppu ja tõmmake aku välja.



5. Laadige akut, kui see on tühjenenud. Lisateavet vt *Aku laadimine lk 200.*

Hea tulemuse saavutamine

- Kasutage vahedat lõiketera. Nüri tera annab ebaühtlase tulemuse ja muru lõigatud osa muutub kollaseks. Terav lõiketera on nüri teraga võrreldes energiasäästlikum.
- Lõigake kuni pool muru pikkusest. Niitke kõigepealt kõrgele reguleeritud lõikamiskõrgusega. Vaadake tulemust ja seadistage lõikamiskõrgus soovitud madalamale tasemele. Kui muru on väga pikk, sõitke aeglaselt ja vajadusel niitke kaks korda.
- Niitke iga kord erinevas suunas, et ära hoida triipude tekkimist murule.

Muru niitmine ilma paigaldatud rohukoguri või multšikorgita.

- Kergitage tagakaant ja eemaldage rohukogur.
- Kui seadmele on paigaldatud multšikork ja multšimistera, eemaldage need.
- Enne seadme kasutamist sulgege tagumine kate.

Seadme töötamise ajal väljub lõigatud rohi tagumise kate alt.

Hooldamine

Sissejuhatus



HOIATUS: Enne seadme hooldamist lugege põhjalikult läbi ohutust puudutav peatükk.

Toote hooldamiseks ja remontimiseks on vaja erioskusi. Tagame asjatundliku remondi- ja hooldustöö. Kui edasimüüjal, kellelt toote ostsite, pole hooldustöökoda, küsige neilt teavet lähima hooldustöökoja kohta.

Hoolduskeem

Hooldusintervallide arvutamisel on aluseks võetud toote igapäevane kasutamine. Intervallid muutuvad, kui toodet igapäevaselt ei kasutata.

Tärniga (*) tähistatud hooldustööde kohta leiате juhised peatükist *Ohutusjuhised kasutamisel lk 193*.

	Igal kasutuskorral	Üks kord kuus	Igal aastajal
Üldkontrolli läbiviimine	X		
Toote puhastamine	X		
Kontrollige käivitustõkestit *	X		
Veenduge, et toote ohutusseadistel poleks defekte *	X		
Lõikeosa kontrollimine	X		
Kontrollige lõikekatet *	X		
Kontrollige mootori pidurikäepidet *	X		
Veenduge, et ON/OFF nupp töötaks korralikult ja sellel poleks defekte	X		
Veenduge, et akul poleks kahjustusi	X		
Kontrollige aku laetust	X		
Veenduge, et aku vabastusnupud töötaksid korralikult ning et aku lukustuks kindlalt seadme külge	X		
Veenduge, et akulaadija poleks kahjustusi ja et see töötaks korrektselt		X	
Kontrollige aku ja seadme vahelisi ühendusi. Samuti kontrollige aku ja akulaadija vahelisi ühendusi.			X

Üldkontrolli läbiviimine

- Veenduge, et toote mutrid ja kruvid oleksid pingutatud.
- Veenduge, et toote juhtmed ei oleks sellises asendis, kus need võiksid kahjustada saada.

Toote puhastamine

- Puhastage plastosi puhta ja kuiva lapiga.
- Ärge puhastage seadet veega. Vesi võib pääseda aku või mootori sisse ja põhjustada lühise või kahjustada toodet.
- Ärge kasutage seadme puhastamiseks survepesurit.
- Ärge valage vett otse mootorile.
- Eemaldage lehed, muru ja pori harja abil.

Aku ja akulaadija puhastamine



ETTEVAATUST: Ärge puhastage akut või akulaadijat veega.

- Enne aku asetamist akulaadijasse veenduge, et aku ja akulaadija oleksid puhtad ja kuivad.
- Puhastage akuklemmid suruõhu või pehme ja kuiva riidelapiga.
- Puhastage aku ja akulaadija välispinnad pehme ja kuiva riidelapiga.

Lõikeosa kontrollimine



HOIATUS: Juhusliku käivitumise vältimiseks keerake ohutuslüüti asendisse 0, eemaldage aku ja oodake vähemalt viis sekundit.



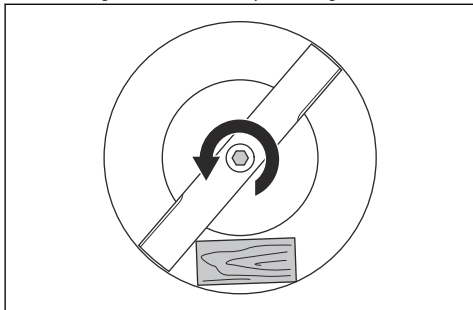
HOIATUS: Lõikeosa hooldamisel kandke kaitsekindaid. Lõiketera on väga terav ja võib kergesti põhjustada lõikevigastusi.

1. Kontrollige lõikeosa kahjustuste ja mõrade suhtes. Kahjustatud lõikeosa tuleb alati välja vahetada.
2. Kontrollige, kas lõiketera on kahjustatud või nüri.

Märkus: Teritamise järel tuleb lõiketera tasakaalustada. Lõiketera teritamine, asendamine ja tasakaalustamine usaldage hooldustehnikule. Kui toode pörkub vastu eset, mis põhjustab toote seiskumise, vahetage välja kahjustatud lõiketera. Laske hoolduskeskuses hinnata, kas tera saab teritada või tuleb see välja vahetada.

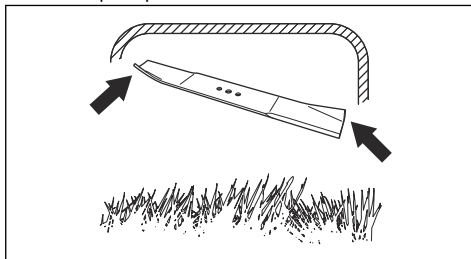
Lõiketera eemaldamine ja vahetamine

1. Lukustage lõiketera mõne puuklotsiga.

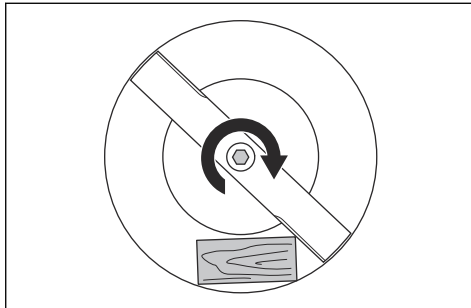


2. Eemaldage lõiketera polt.
3. Eemaldage lõiketera.
4. Eemaldage lõiketera tugi ja polt ning kontrollige, kas esineb kahjustusi.

5. Kontrollige mootori võlli ja veenduge, et see poleks väändunud.
6. Uue lõiketera kinnitamisel suunake nurksed otsad lõikekorpuse poole.



7. Veenduge, et lõiketera ja mootori võlli kese oleksid kohakuti.
8. Lukustage lõiketera mõne puuklotsiga. Kinnitage vedruseib ning pingutage polti ja seibi pingutusmomendiga 23–28 Nm.



9. Keerake tera käega, veendumaks, et see pöörleb vabalt.



HOIATUS: Kasutage tugevaid kindaid. Lõiketera on väga terav ja võib kergesti põhjustada lõikevigastusi.

10. Tera katsetamiseks käivitage toode. Kui tera on valesti kinnitatud, siis toode vibreerib ja niitmistulemus pole rahuldav.

Veaotsing

Aku

Aku LED-tuli	Võimalikud tõrked	Võimalik tegevus
Roheline LED-tuli vilgub	Akupinge on madal	Laadige aku. Vt jaotist <i>Aku laadimine lk 200</i> .

Aku LED-tuli	Võimalikud tõrked	Võimalik tegevus
Tõrke LED-tuli vilgub	Aku on tühjenenud	Laadige aku. Vt jaotist <i>Aku lk 204</i> .
	Töökeskkonna temperatuur on liiga kõrge või madal	Kasutage akut keskkonnas, mille temperatuur jääb vahemikku –10 kuni 40 °C.
	Ülepinge	Kontrollige, kas võrgupinge vastab seadme mudeli etiketil märgitule. Eemaldage aku laadijast. Oodake viis sekundit ja proovige akut uuesti laadida. Probleemi püsimise korral võtke ühendust volitatud hooldustöökojaga.
Põleb tõrke LED-tuli	Elementide erinevus on liiga suur (1 V)	Pöörduge volitatud hooldustöökoja poole.

Akulaadur

Akulaadija LED-tuli	Võimalikud tõrked	Võimalik tegevus
Tõrke LED-tuli vilgub	Töökeskkonna temperatuur on liiga kõrge või madal	Kasutage akulaadijat keskkonnas, mille temperatuur jääb vahemikku 5 kuni 40 °C.
Põleb tõrke LED-tuli		Pöörduge volitatud hooldustöökoja poole

Juhtpaneel

Klahvistik	Tõrkekood (vilkumiste arv)	Võimalikud tõrked	Võimalik lahendus
Tõrke LED-tuli vilgub	3	Mootori ülekoormus	Suurendage löikamiskõrgust. Vt jaotist <i>Löikamiskõrguse reguleerimine lk 199</i> .
	5	Mootori kiirus langeb liigselt ja mootor seiskub	
	10	Mootori juhtseade on liiga kuum	Seisake mootor ja oodake, kuni see on jahtunud
	2	Lõiketera liikumine on takistatud	Juhusliku käivitumise vältimiseks keerake ohutuslülit asetadesse 0, eemaldage aku ja oodake vähemalt viis sekundit. Veenduge, et lõiketera saaks vabalt pöörelda. Probleemi püsimise korral võtke ühendust volitatud hooldustöökojaga
	9	Aku tõrge või aku signaali pole	Asetage aku õigesti seadmesse ja kontrollige akukonnetorit. Kui aku tõrke LED-tuli vilgub. Vt jaotist <i>Aku lk 199</i> .
Seade seiskub	8	Aku on tühjenenud	Laadige aku. Vt jaotist <i>Aku laadimine lk 200</i> .
	0	Akukonnetori tõrge	Kontrollige akukonnetorit
Muud tõrked		Muude tõrgete ilmumise korral keerake ohutuslülit asetadesse 0, eemaldage aku ja võtke ühendust volitatud hooldustöökojaga.	

Transportimine, hoiulepanek ja utiliseerimine

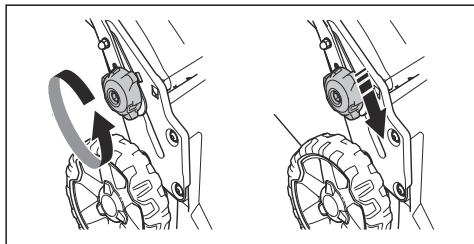
Sissejuhatus



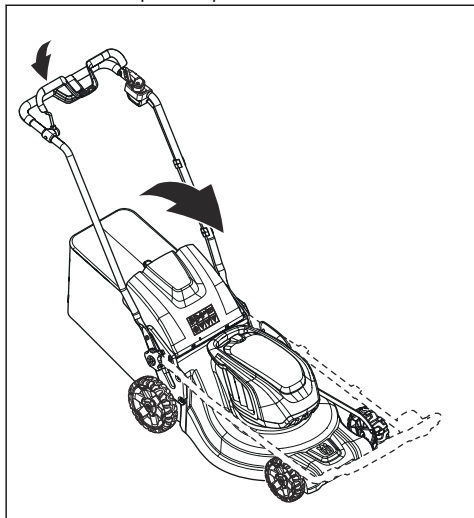
HOIATUS: Transportimise ajal juhusliku käivitamise vältimiseks keerake ohutuslülitit asendisse 0, eemaldage aku ja oodake vähemalt viis sekundit.

Seadme seadmine transportasendisse

1. Keerake alumised hoovad lahti.
2. Liigutage nupud toote vasakul ja paremal küljel olevatesse soonetesse.



3. Keerake käepide ettepoole.



4. Eemaldage rohkogur.

Transportimine

- Liitium-ioonakudele kehtivad ohtlike kaupade veonõuded.
- Kaubandusliku transpordi korral tuleb järgida pakendamise ja märgistamise erinõudeid.

- Toote transportimiseks ettevalmistamisel järgige kindlasti ohtlikele ainetele kehtivaid eeskirju. Kehtida võivad ka kohalikud eeskirjad.
- Transpordi ajaks tuleb aku alati eemaldada.
- Katke akukonnetorid isoleerteibiga ja veenduge, et aku ei saaks transportimise ajal liikuma hakata.
- Kinnitage seade transportimise ajaks.

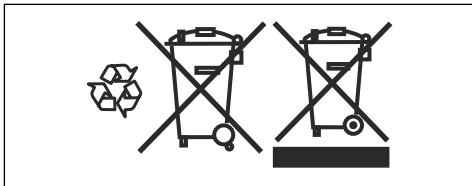
Hoiustamine

- Hoiustamise ajaks tuleb aku alati eemaldada.
- Õnnetuste vältimiseks veenduge, et aku ja seade poleks hoiustamise ajal ühendatud.
- Hoidke akulaadijat suletud ja kuivas kohas.
- Hoidke akut ja akulaadijat kuivas kohas, kus pole niiskust ja miinuskraade.
- Ladustamise ajaks lahutage aku akulaadija küljest.
- Ärge hoidke akut kohas, kus võib tekkida staatiline elekter. Ärge hoidke akut metallkastis.
- Hoidke akut kohas, mille temperatuur jääb vahemikku 5 kuni 25 °C, ja kuhu ei paista otsene päikesevalgus.
- Hoidke akulaadijat kohas, mille temperatuur jääb vahemikku 5 kuni 45 °C, ja kuhu ei paista otsene päikesevalgus.
- Enne aku pikemaajalist hoiustamist laadige see 30–50% ulatuses täis.
- Hoidke seadet, akut ja akulaadijat suletud ruumis, kuhu ei pääse lapsed ja volitamata kõrvalised isikud.
- Enne seadme pikemaajalist hoiustamist puhastage seade ja tehke sellele täishooldus.

Kõrvaldamine

Tootel või selle pakendil olevad sümbolid viitavad, et toodet ei tohi visata olmeprügi hulka. See tuleb toimetada ettenähtud vastuvõtupunkti, kus elektri- ja elektroonikaseadmed võetakse uuesti ringlusesse.

Hoolitsedes toote eest õigel viisil aitate vähendada võimalikke negatiivseid mõjusid keskkonnale ja inimestele, mis võivad avalduda toote vale käitlemise korral. Lisateabe saamiseks toote ringlussevõtu kohta pöörduge vastava kohaliku ametkonna, jäätmekäitlusettevõtte või toote müünud kaupluse poole.



Tehnilised andmed

Tehnilised andmed

	LC 247iX/LC 247i	LC 347iVX/LC 347iV	LC 353iVX/LC 353iV
Teramootor			
Mootori tüüp	BLDC (harjadeta) 36 V	BLDC (harjadeta) 36 V	BLDC (harjadeta) 36 V
Mootori pöörlemissagedus – SavE, p/min	2600	2600	2600
Mootori pöörlemissagedus – nimisagedus, p/min	3000	3000	3000
Mootori pöörlemissagedus – suur koormus, p/min	3500	3500	3500
Mootori väljundvõimsus – max kW	0,96	0,96	1,05
Mootori väljundvõimsus – nimivõimsus, kW	0,75	0,75	0,9
Veomootor			
Mootori väljundvõimsus – nimivõimsus, kW	–	0,25	0,25
Iseleikumiskiirus, km/h	–	3,0–4,5	3,0–4,5
Reguleeritavad kiirusetasemed	–	4	4
Kaal			
Kaal ilma akuta (kg)	24	26	28
Aku			
Aku tüüp	Husqvarna Akuseeria	Husqvarna Akuseeria	Husqvarna Akuseeria
Aku tööaeg			
Aku tööaeg, min, (vabajooksul) SavE on aktiveeritud, ühe Husqvarna 5,2 Ah akuga (Bli200).	43	43	32
Aku tööaeg, min, (vabajooksul) standardrežiim on aktiveeritud, ühe Husqvarna 5,2 Ah akuga (Bli200).	30	30	20
Müraemissioon ²²			
Helitugevuse tase, dB(A)	94	94	97
Müravõimsustase, garanteeritud L _{WA} dB(A)	95	95	98
Müratase ²³			
Helirõhutase kasutaja kõrva juures, dB(A)	82	82	86
Vibratsioonitase ²⁴			

²² Müraemissioon ümbritsevasse keskkonda, mõõdetud helivõimsuse tasemenähtena (L_{WA}) vastavalt EÜ direktiivile 2000/14/EÜ.

²³ Müra rõhutase kohta toodud andmete statistiline dispersioon (standardhälve) on 1,2 dB(A).

²⁴ Vibratsioonitaseme kohta toodud andmete tüüpiline statistiline dispersioon (standardhälve) on 0,2 m/s². Vibratsioonistandard EN 60335-2-77:2017 peatükk 20.105

	LC 247IX/LC 247I	LC 347IVX/LC 347IV	LC 353IVX/LC 353IV
Käepide, m/s ²	0,42	0,42	2,64
Lõikeosa			
Lõikekõrgus, mm	20–75 mm	20–75 mm	20–75 mm
Niitmislaius, cm	47	47	53
Lõiketera, standardne	Kogur 5905934-10	Kogur 5905934-10	Kogur 5940757-10
Lõiketera, lisatarvik	Mulch 5907010-10	Mulch 5907010-10	Mulch 5950072-10
Rohukoguri maht liitrites	55	55	60

Bluetooth®-tehnoloogia raadiosageduse andmed	LC 247IX	LC 347IVX	LC 353IVX
Sagedusala, GHz	2,4–2,4835	2,4–2,4835	2,4–2,4835
Väljundvõimsus, max. dBm	4	4	4

Heakskidetud akud	Tüüp	Aku mahtvus, Ah	Pinge, V	Kaal, naela/kg
BLi20	Liitiumioonaku	4,0	36	2,6/1,2
BLi30	Liitiumioonaku	7,7	36	4,2/1,9
BLi200	Liitiumioonaku	5,2	36	2,8/1,3
BLi300	Liitiumioonaku	9,4	36	4,1/1,9

Määratletud akude heakskidetud akulaadljad, BLi	Sisendpinge, V	Sagedus, Hz	Võimsus, W
QC80	100-240	50-60	80
QC80F	12	0	80
QC250	100-240	50-60	250
QC330	100-240	50-60	330
QC500	100-240	50-60	500

EÜ vastavusdeklaratsioon

EÜ vastavusdeklaratsioon

Husqvarna AB, SE-561 82 Huskvarna, Rootsi, tel: +46-36-146500, kinnitab käesolevaga, et **muruniiduk Husqvarna LC 247I, LC 247IX, LC 347IV, LC 347IVX, LC 353IV, LC 353IVX** alates aastast 2018 vastab järgmiste NÕUKOGU DIREKTIIVIDE nõuetele:

- **2011/65/EL** (8. juuni 2011), teatavate ohtlike ainete kasutamise piiramise kohta;
- **2006/42/EÜ** (17. mai 2006), masinadirektiiv;
- **2000/14/EÜ** (8. mai 2000), müradirektiiv.

Lisateavet müra taseme kohta vt *Tehnilised andmed lk 207*.

Rakendatud on järgmisi standardeid:

EN/IEC 60335-1, EN/IEC 60335-2-77, EN/IEC 62233, EN 55014-1, EN ETSI 301 489-7 v1.3.1, EN 61000-6, ETSI EN 61000-6-1, EN 300 328 BT low energy Tx/Rx, EN 50581

Kui pole märgitud teisiti, mõeldakse ülalpool loetletud standardite all nende kõige viimaseid avaldatud versioone.

Teavitatud asutus: **0404, RISE SMP Svensk Maskinprovning AB, Box 7035, SE-750 07 Uppsala** on

läbi viinud vastavushindamise kooskõlas direktiivi 2000/14/EÜ lisaga VI.

Huskvarna, 2020-04-22



Claes Losdal, aiandustoodete arendusdirektor
(Husqvarna AB volitatud esindaja, tehnilise dokumentatsiooni vastutav juht)

Registreeritud kaubamärgid

Bluetooth®-i sõnamärk ja logod on ettevõtte *Bluetooth SIG, inc.* registreeritud kaubamärgid ja ettevõtte Husqvarna kasutab neid litsentsi alusel.

Sisällys

Johdanto.....	210	Vianmääritys.....	228
Turvallisuus.....	214	Kuljettaminen, säilyttäminen ja hävittäminen.....	230
Asentaminen.....	221	Tekniset tiedot.....	231
Käyttö.....	223	EY-vaatimustenmukaisuusvakuutus.....	233
Huolto.....	227	Rekisteröidyt tavaramerkit.....	233

Johdanto

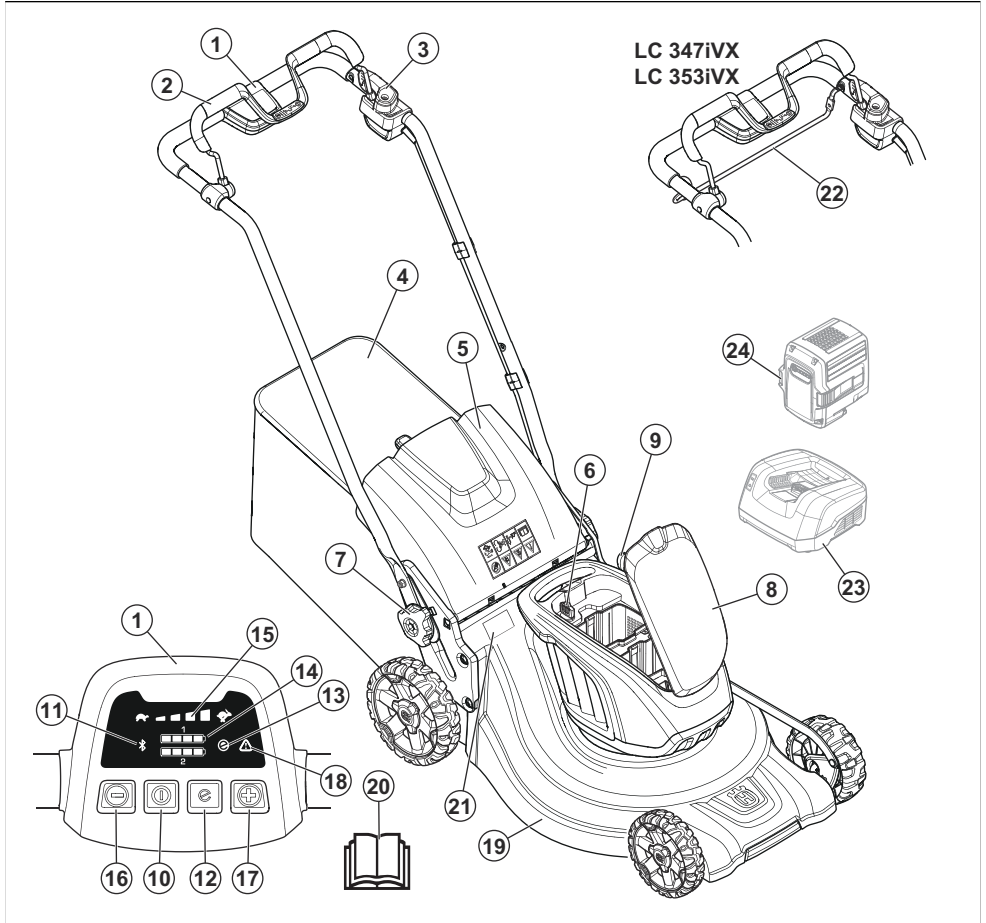
Tuotekuvaus

Tuote on kävellen ohjattava ja pyörivä ruohonleikkuri. Leikattu ruoho kerätään ruohonkerääjään. Voit ottaa ruohon taakseheittotoiminnon käyttöön irrottamalla ruohonkerääjään. Voit tehdä ruohon leikkuujätteestä lannoitetta liittämällä ruohonleikkuriin silppurin (lisävaruste).

Käyttötarkoitus

Käytä laitetta ruohon leikkuuseen. Älä käytä laitetta muihin tehtäviin.

Tuotteen kuvaus



- | | |
|---|---|
| 1. Ohjauspaneeli | 15. Nopeusilmaisin (LC 347iV, LC 347iVX, LC 353iV, LC 353iVX) |
| 2. Moottorin jarrukahva | 16. Hidastuspainike (LC 347iV, LC 347iVX, LC 353iV, LC 353iVX) |
| 3. Käynnistyksenesto | 17. Nopeutuspainike (LC 347iV, LC 347iVX, LC 353iV, LC 353iVX) |
| 4. Ruohonkerääjä | 18. Vian merkivalo |
| 5. Takasuojus | 19. Leikkuusuojus |
| 6. Turva-avain | 20. Käyttöohjekirja |
| 7. Kahvan nappi | 21. Tyypikilpi |
| 8. Akun kansi | 22. Vetojärjestelmän sanka (LC 347iV, LC 347iVX, LC 353iV, LC 353iVX) |
| 9. Leikkuukorkeuden säädin | 23. Akkulaturi (lisävaruste) |
| 10. Virtapainike | 24. Akku (lisävaruste) |
| 11. Langattoman Bluetooth®-tekniikan ilmainen | |
| 12. SavE-painike | |
| 13. SavE-ilmainen | |
| 14. Akun ilmainen | |

Laitteen symbolit



VAROITUS! Ole varovainen ja käytä laitetta oikein. Tämä laite voi aiheuttaa käyttäjälle tai sivullisille vakavia vahinkoja tai kuoleman.



Lue käyttöohje huolellisesti ja varmista, että ymmärrät sen sisällön, ennen kuin alat käyttää laitetta.



Pidä sivulliset ja eläimet turvallisen välimatkan päässä työalueesta.



Varo sinkoutuvia esineitä ja kimmokkeita.



Varoitus: Pidä kädet ja jalat poissa pyörivän terän läheisyydestä.



Varoitus: Pidä kädet ja jalat poissa pyörivien osien läheisyydestä.



Irrota turva-avain ennen korjaus- tai huoltotöiden aloittamista.



Ei saa altistaa sateelle.



Laitetta tai sen pakkausta ei saa hävittää kotitalousjätteen mukana. Vie se asianmukaiseen sähkö- ja elektroniikkalaitteiden keräyspisteeseen.



Laite täyttää voimassa olevien EY-direktiivien vaatimukset.



Laite täyttää voimassa olevien Euraasian tulliliiton direktiivien vaatimukset.



Laite täyttää voimassa olevien UkrSEPRO-direktiivien vaatimukset.



Laite täyttää voimassa olevien RCM-direktiivien vaatimukset. Vain AU/NZ



Melupäästöt ympäristöön eurooppalaisen direktiivin 2000/14/EY ja Uuden Etelä-Walesin

lainsäädännön
Protection of the
Environment
Operations (Noise
Control) Regulation
2017 -asetuksen
mukaisesti.

Melupäästöt ilmoitetaan
koneen arvokilvessä ja
luvussa Tekniset tiedot.

IPX1 Laite on suojattu
pystysuoraan tippuvalta
vedeltä.

Käynnistäminen: paina virtapainiketta,
avaa käynnistykseenesto ja paina
moottorin jarrukahva alas.



Pysäyttäminen: vapauta
moottorin jarrukahva.



Hidas



Nopea



Skannattava koodi

Huomautus: Muita laitteen
symboleita/tarroja tarvitaan
joillakin markkina-alueilla
ilmaisemaan
sertifiointivaatimuksia.

Laiteen tarra



**Pidä kädet ja jalat poissa
pyörivien terien läheisyydestä.**

Tuotevastuu

Tuotevastuulain mukaisesti emme ole vastuussa
tuotteen aiheuttamasta vaurioista, jos

- tuote on korjattu virheellisesti
- tuotteen korjaamiseen on käytetty muita kuin valmistajan omia tai sen hyväksymiä osia
- tuotteessa on muu kuin valmistajan oma tai sen hyväksymä lisävaruste
- tuotetta ei ole korjattu valtuutetussa huoltopisteessä tai hyväksytyllä asiantuntijalla.

Turvallisuus

Turvallisuusmääritelmät

Varoituksia, huomioita ja huomautuksia käytetään, kun jotakin käyttöohjeen osaa halutaan erityisesti korostaa.



VAROITUS: Tätä käytetään, jos käyttöohjeen noudattamatta jättämisestä voi seurata käyttäjän tai sivullisen vamma tai kuolema.



HUOMAUTUS: Tätä käytetään, jos käyttöohjeen noudattamatta jättämisestä voi seurata koneen, muiden materiaalien tai ympäristön vaurioituminen.

Huomautus: Tätä käytetään tietyissä tilanteissa tarvittavien lisätietojen antamiseen.

Yleiset turvaohjeet



VAROITUS: Lue seuraavat varoitusohjeet

ennen laitteen käyttämistä.

- Tämä laite on vaarallinen, jos sitä käytetään huolimattomasti tai virheellisesti. Turvaohjeiden noudattamatta jättäminen voi aiheuttaa vammoja tai kuoleman.
- Laite muodostaa käytön aikana sähkömagneettisen kentän. Kenttä saattaa joissakin olosuhteissa häiritä aktiivisten tai passiivisten lääketieteellisten implanttien toimintaa. Vakavien tai hengenvaarallisten tapaturmien ehkäisemiseksi kehotamme lääketieteellisiä implantteja käyttäviä henkilöitä neuvottelemaan lääkärin ja lääketieteellisen implantin valmistajan kanssa ennen laitteen käyttämistä.
- Ole aina varovainen ja käytä tervettä järkeä. Jos et ole varma, miten laitetta käytetään erityistilanteessa, sammuta laite ja ota yhteys Husqvarna-jälleenmyyjään, ennen kuin jatkat.
- Muista, että käyttäjä on vastuussa muille ihmisille tai

heidän omaisuudelleen aiheutuvista vahingoista.

- Pidä laite puhtaana. Varmista, että tuotteen merkit ja tarrat ovat luettavissa.
- Älä anna lasten tai näitä ohjeita tuntemattomien henkilöjen käyttää laitetta. Paikalliset määräykset saattavat rajoittaa käyttäjän ikää.
- Valvo aina laitetta käyttävää henkilöä, jonka fyysiset tai psyykkiset taidot ovat heikentyneet. Vastuullisen aikuisen on oltava aina paikalla.
- Älä käytä laitetta ollessasi väsynyt tai sairas tai jos olet alkoholin, huumaavien aineiden tai lääkkeiden vaikutuksen alaisena. Niillä on negatiivinen vaikutus näkökykyysi, vireytesi, harkintakykyysi ja kehosi hallintaan.
- Älä käytä konetta, jos se on viallinen.
- Älä tee koneeseen muutoksia tai käytä konetta, mikäli epäilet jonkun muun muuttaneen sitä.

Työalueen turvallisuus



VAROITUS: Lue seuraavat varoitusohjeet

ennen laitteen käyttämistä.

- Poista työskentelyalueelta oksat, risut ja kivet ennen tuotteen käyttämistä.
- Terävarustukseen osuvat esineet sinkoutuvat edelleen ja voivat siten aiheuttaa vahinkoa ihmisille ja esineille. Pidä sivulliset ja eläimet turvallisen välimatkan päässä tuotteesta.
- Älä koskaan käytä laitetta huonolla säällä esimerkiksi sumussa, sateessa, kovassa tuulessa, ankarassa pakkasessa tai ukkosella. Laitteen käyttäminen huonolla säällä tai kosteissa tai märissä olosuhteissa on raskasta. Huono sää voi aiheuttaa vaaratilanteita, kuten liukastumisvaaran.
- Varo henkilöitä, esineitä ja tilanteita, jotka voivat estää laitteen turvallisen käytön.
- Varo esteitä, kuten juuria, kiviä, risuja, kuoppia ja ojia. Pitkän ruohon seassa voi olla esteitä.
- Ruohon leikkaaminen rinteissä voi olla vaarallista. Älä leikkaa ruohoa erittäin jyrkissä rinteissä. Älä käytä laitetta rinteessä, jonka kaltevuus on yli 15°.

- Noudata erityistä varovaisuutta vaihtaessasi suuntaa rinteessä. Käytä laitetta sivusuunnassa rinteeseen nähden. Älä käytä laitetta pystysuunnassa.
- Ole varovainen lähestyessäsi piilossa olevia kulmia ja esineitä, jotka estävät näkyvyyden.

Työturvallisuus



VAROITUS: Lue seuraavat varoitusohjeet ennen laitteen käyttämistä.

- Käytä tätä tuotetta ainoastaan nurmikoiden leikkaamiseen. Tuotteita ei saa käyttää muihin käyttötarkoituksiin.
- Käytä henkilökohtaisia suojarusteita. Katso *Henkilökohtainen suojarustus sivulla 217*.
- Opettele pysäyttämään moottori nopeasti hätätilassa.
- Älä käytä laitetta sateella tai märissä olosuhteissa. Sähköiskun vaara kasvaa, jos laitteeseen pääsee vettä.
- Älä käytä tuotetta, ellei sen terää ja kaikkia suojuksia ole kiinnitetty asianmukaisesti. Virheellisesti kiinnitetty terä

saattaa irrota ja aiheuttaa henkilövahinkoja.

- Varmista, ettei terä osu kiviin ja juuriin. Tämä voi vaurioittaa terää, ja moottorin akseli voi vääntyä. Vääntynyt akseli aiheuttaa voimakasta tärinää. Tällöin on erittäin suuri riski, että terä irtoaa.
- Jos terä osuu esineeseen tai alkaa täristä, pysäytä tuote välittömästi. Sammuta moottori, käännä turvakytkin asentoon 0 ja irrota akku. Tarkista tuote vaurioiden varalta. Korjaa vauriot tai teetä korjaustyöt valtuutetussa huoltoliikkeessä.
- Älä koskaan liitä moottorin jarrukahvaa pysyvästi kahvaan moottoria käynnistettäessä.
- Aseta tuote kiinteälle, tasaiselle alustalle ja käynnistä se. Varmista, ettei terä pääse osumaan maahan tai mihinkään esineeseen.
- Ole aina tuotteen takana käyttäessäsi sitä.
- Pidä kaikki renkaat maassa ja molemmat kätesi työntöaisalla käyttäessäsi tuotetta. Pidä kätesi ja jalkasi poissa pyöriä terien läheisyydestä.
- Älä kallista laitetta moottorin käynnistyksen aikana.

- Ole varovainen vetäessäsi laitetta taaksepäin.
- Älä koskaan nosta laitetta moottorin käynnistyksen aikana. Jos laite on nostettava, sammuta ensin moottori, käännä turvakytin asentoon 0 ja irrota akku.
- Älä kävele taaksepäin käyttäessäsi laitetta.
- Sammuta moottori, kun siirrät laitteen ruohottoman alueen yli, esimerkiksi ylittäessäsi sora-, kivi- tai asfalttipolkuja.
- Älä juokse laitteen kanssa, kun moottoria käynnistetään. Kävele aina, kun käytät laitetta.
- Sammuta moottori ennen kuin muutat leikkuukorkeutta. Älä koskaan tee säätöjä moottorin käydessä.
- Älä koskaan jätä laitetta ilman valvontaa moottorin käydessä. Sammuta moottori ja varmista, ettei terävarustus pyöri.
- Henkilökohtaiset suojarusteet eivät poista tapaturmien vaaraa, mutta ne lieventävät vammoja onnettomuustilanteessa. Anna jälleenmyyjän auttaa oikeiden varusteiden valinnassa.
- Käytä kestäviä luistamattomia saappaita tai kenkiä. Älä käytä avonaisia jalkineita tai kulje paljain jaloin.
- Käytä vahvakankaisia, pitkiä housuja.
- Käytä suojakäsineitä tarvittaessa, esimerkiksi terävarustuksen asennuksen, tarkastuksen ja puhdistuksen aikana.

Tuotteen turvalaitteet



VAROITUS: Lue seuraavat varoitusohjeet ennen laitteen käyttämistä.

Turvallisuusohjeet käyttöä varten

Henkilökohtainen suojarustus



VAROITUS: Lue seuraavat varoitusohjeet ennen laitteen käyttämistä.

- Älä käytä laitetta, jos jokin sen turvalaitteista on rikki.
- Tarkasta turvalaitteet säännöllisesti. Jos turvalaitteissa on vikoja, ota yhteyttä Husqvarna-huoltoliikkeeseen.

Leikkuusuojuksen tarkistaminen

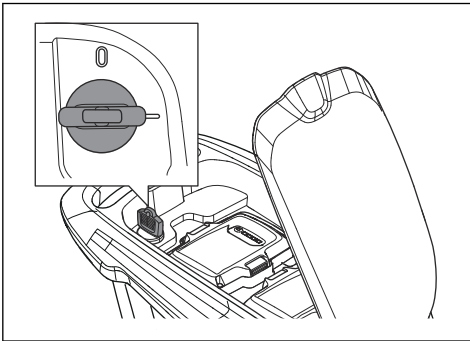
Leikkuusuojaus vähentää laitteen tärinää ja terän aiheuttamaa tapaturmavaaraa.

- Tarkista leikkuusuojaus vaurioiden, kuten halkeamien, varalta.

Turva-avain

Turva-avain on akun kannen alla. Turva-avain kytkee akun, joka tuottaa tehoa moottorille.

- Tarkista turva-avaimen toiminta käynnistämällä ja sammuttamalla moottori.
- Jos turva-avain toimii oikein, moottori käynnistyy vain, kun avain on käännetty asentoon 1.

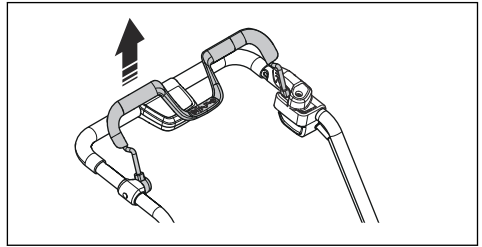


Moottorin jarrukahva

Moottorin jarrukahva pysäyttää moottorin. Kun moottorin

jarrukahva vapautetaan, moottori pysähtyy.

Tarkista moottorijarru käynnistämällä moottori ja vapauttamalla sitten moottorin jarrukahva. Jos moottori ei pysähdy 3 sekunnissa, anna valtuutetun Husqvarna-huoltoliikkeen säätää moottorijarru.

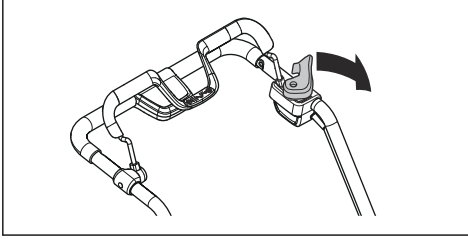


Käynnistykseneston tarkistaminen

Tarkista käynnistyksenesto ja varmista, että se estää moottorin toiminnan.

1. Työnnä moottorin jarrukahvaa kahvaston suuntaan. Käynnistyksenesto pysäyttää liikkeen.

2. Työnnä käynnistyksenesto ulos.



3. Vapauta käynnistyksenesto ja varmista, että se palaa alkuasentoonsa.

Akkuturvallisuus



VAROITUS: Lue seuraavat varoitusohjeet ennen laitteen käyttämistä.

- Käytä ladattavia Husqvarna-akkuja vain yhteensopivien Husqvarna-tuotteiden virtalähteenä. Tapaturmien välttämiseksi akkua ei saa käyttää muiden laitteiden virtalähteenä.
- Älä käytä akkuja, joita ei voi ladata.
- Sähköiskun vaara. Älä koske akun napoihin avaimella, kolikolla, ruuvilla tai muilla metalliesineillä. Tämä voi aiheuttaa akun oikosulun.
- Älä aseta esineitä akun ilmarakoihin.

- Pidä akku suojassa suoralta auringonvalolta, kuumuudelta ja avotulelta. Akku voi räjähtää ja aiheuttaa palo- ja/tai syöpymsivammoja.
- Suojaa akku sateelta ja kosteilta olosuhteilta.
- Älä altista akkua mikroaalloille ja korkealle paineelle.
- Älä yritä purkaa tai rikkoa akkua.
- Jos akku vuotaa, älä anna nesteen joutua kosketuksiin kehon tai silmien kanssa. Jos nestettä joutuu iholle, puhdista alue heti runsaalla vedellä ja hakeudu lääkäriin.
- Käytä akkua $-10...40\text{ }^{\circ}\text{C}$:n lämpötilassa.
- Älä pese akkua tai akkulaturia vedellä. Katso *Akun ja akkulaturin puhdistaminen sivulla 227*.
- Älä käytä viallista tai vaurioitunutta akkua.
- Säilytä akkuja varastossa kaukana metalliesineistä kuten nauloista, kolikoista ja koruista.

Akkulaturin turvallisuus



VAROITUS: Lue seuraavat varoitusohjeet ennen laitteen käyttämistä.

- Käytä QC-akkuja vain Husqvarna-vara-akkujen lataukseen.
- Sähköiskun tai oikosulun vaara. Älä aseta esineitä laturin ilmarakoihin. Älä yritä purkaa akkua. Älä liitä laturin liittimiä metalliesineisiin. Käytä hyväksytyä pistorasiaa.
- Laite muodostaa käytön aikana sähkömagneettisen kentän. Kenttä saattaa joissakin olosuhteissa häiritä aktiivisten tai passiivisten lääketieteellisten implanttien toimintaa. Vakavien tai hengenvaarallisten tapaturmien ehkäisemiseksi kehoitamme lääketieteellisiä implantteja käyttäviä henkilöitä neuvottelemaan lääkärin ja lääketieteellisen implantin valmistajan kanssa ennen laitteen käyttämistä.
- Tarkista säännöllisesti, että akkua virtajohto ei ole vaurioitunut ja ettei siinä ole murtumia.
- Älä nosta akkua virtajohdosta. Irrota akkua pistorasiasta vetämällä pistoke ulos. Älä vedä virtajohdosta.
- Pidä virtajohto ja jatkojohdot poissa veden, öljyn ja terävien reunojen ulottuvilta. Pidä huolta, ettei kaapeli kiristy ovien, aitojen tai muiden vastaavien esineiden kohdalla. Se voi muuttaa laturin jännitteelliseksi.
- Älä pese akkua vedellä.
- Yli 8-vuotiaat lapset ja henkilöt, joiden fyysinen, sensorinen tai henkinen toimintakyky on alentunut tai joilla ei ole riittävää kokemusta tai taitoja laitteen käyttöön, saavat käyttää akkua, mikäli he ovat saaneet ohjausta tai ohjeita akkua turvallisesta käytöstä ja ymmärtävät siihen liittyvät vaarat. Lapset eivät saa leikkiä akkua. Lapset eivät saa puhdistaa tai huoltaa laitetta ilman valvontaa.
- Älä lataa akkua akkua, jotka eivät sovellu uudelleenlataukseen.
- Älä käytä akkua herkästi syttyvien materiaalien tai syöpymistä aiheuttavien materiaalien lähellä. Älä peitä akkua. Jos havaitset savua tai tulta, irrota akkua pistoke pistorasiasta.
- Älä käytä viallista tai vaurioitunutta akkua.
- Lataa akku vain sisätiloissa poissa auringonvalosta ja tilassa, jossa on hyvä

ilmanvaihto. Älä lataa akkua märissä olosuhteissa.

Turvaohjeet huoltoa varten



VAROITUS: Lue seuraavat varoitusohjeet ennen laitteen käyttämistä.

- Jotta laite ei käynnisty vahingossa huollon aikana, käännä turvakytkin asentoon 0 ja irrota akku. Odota vähintään viisi sekuntia ennen huollon aloittamista.
- Laitteen oikeanlainen huoltaminen pidentää sen käyttöikää ja pienentää onnettomuusvaaraa. Anna huoltotyö valtuutetun huoltoliikkeen tehtäväksi. Kysy lisätietoja lähimmästä huoltoliikkeestä.
- Tee laitteelle ainoastaan käyttöohjekirjassa mainitut huoltotoimenpiteet. Laajemmat toimenpiteet on teetettävä valtuutetussa huoltoliikkeessä.
- Käytä työrukkasia, kun käsittelet terävarustusta. Terä on erittäin terävä ja aiheuttaa helposti haavoja.
- Pidä leikkausreunat terävinä ja puhtaina, jotta laitteen suorituskyky ja turvallisuus pysyvät mahdollisimman hyvänä.
- Anna huoltoliikkeen tarkastaa laite säännöllisesti ja tarvittaessa säätää ja korjata se.
- Vaihda vaurioituneet, kuluneet tai rikkoutuneet osat.
- Noudata lisävarusteiden vaihtoa koskevia ohjeita. Käytä ainoastaan valmistajan lisävarusteita.
- Kun laitetta ei käytetä, säilytä se, akku ja akkulaturi erillään sisätilassa. Varmista, että lapset ja asiattomat henkilöt eivät pääse käsiksi laitteeseen, akkuun tai akkulatureihin.

Asentaminen

Johdanto



VAROITUS: Ennen kuin kokoat tuotteen, lue turvallisuutta koskeva luku.



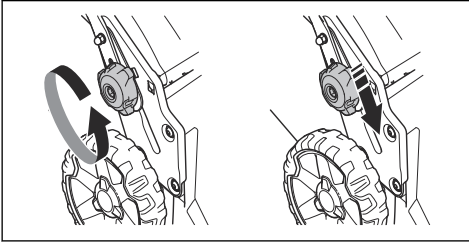
VAROITUS: Jotta kone ei käynnisty vahingossa asennuksen aikana, käännä

turva-avain asentoon 0, irrota akku ja odota vähintään viisi sekuntia.

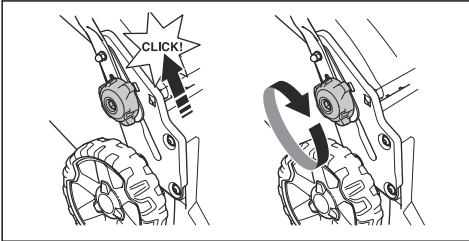
Kahvan säätäminen

1. Irrota alemmat nupit.

2. Liu'uta nupit urien alaosaan laitteen molemmin puolin.



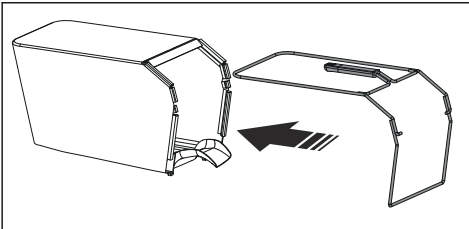
3. Aseta kahvan korkeus jompaankumpaan käytettävissä olevista asennoista.
4. Liu'uta nuppeja ylöspäin kahvaa kohti, kunnes ne pysähtyvät ja kuulet naksahduksen.



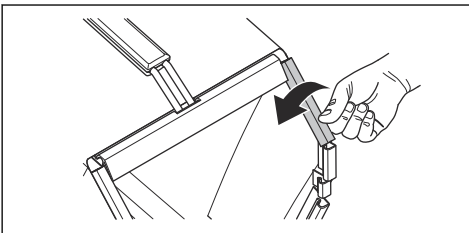
5. Kiristä nupit huolellisesti.

Ruohonkerääjän asentaminen

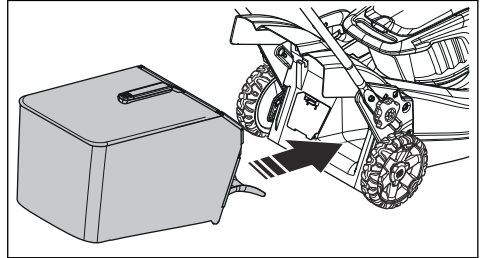
1. Kiinnitä ruohonkerääjän kehys keruupussiin niin, että pussin jäykkä osa on alhaalla. Pidä kehysten kahva keruupussin yläpuolella.



2. Kiinnitä ruohonkerääjän kehysten alaosa ruohonkerääjän alaosassa olevaan uraan.
3. Kiinnitä keruupussi ruohonkerääjän runkoon kiinnikkeillä.

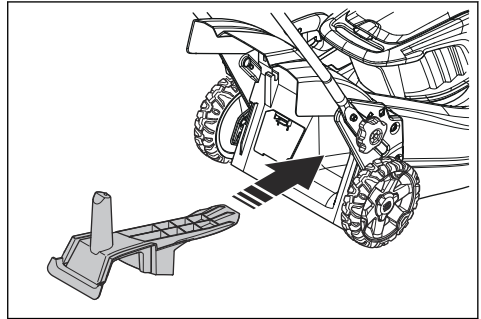


4. Nosta takasuojus ylös.
5. Kiinnitä ruohonkerääjä rungon yläreunaan.
6. Aseta ruohonkerääjän alempi osa ruohon ulosheittokanavaan.



Silppurin tulpan asentaminen (lisävaruste)

1. Nosta takasuojus ylös ja irrota ruohonkerääjä.
2. Aseta silppurin tulppa ruohonkerääjän ulosheittokanavaan.



3. Vaihda terän tilalle silppurisarjan mukana toimitettu silppuriterä. Katso *Terän irrottaminen ja vaihtaminen sivulla 228*.

Johdanto



VAROITUS: Lue turvallisuutta käsittelevä luku niin, että ymmärrät sen sisällön, ennen laitteen käyttämistä.

Husqvarna Connect

Husqvarna Connect on ilmainen mobiililaitesovellus. Husqvarna Connect -sovellus saat lisätoimintoja Husqvarna-koneeseen:

- Enemmän tuotetietoja.
- Tietoja koneen osista ja huolto-ohjeita.

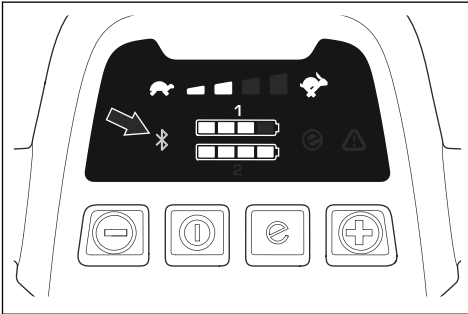
Husqvarna Connect -käytön aloittaminen

1. Lataa Husqvarna Connect -sovellus mobiililaitteeseesi.
2. Rekisteröi Husqvarna Connect -sovelluksessa.
3. Liitä ja rekisteröi kone Husqvarna Connect -sovelluksen ohjeiden mukaan.

Bluetooth® (LC 247iX, LC 347iVX, LC 353iVX)

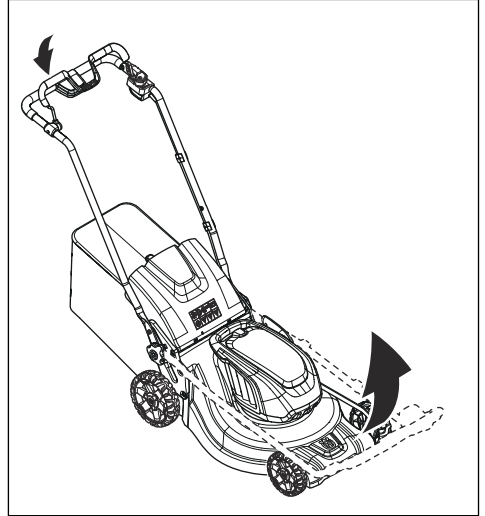
Langaton Bluetooth®-tekniikka

Langattoman Bluetooth®-tekniikan symboli syttyy, kun laitteeseen yhdistetään mobiililaitte.

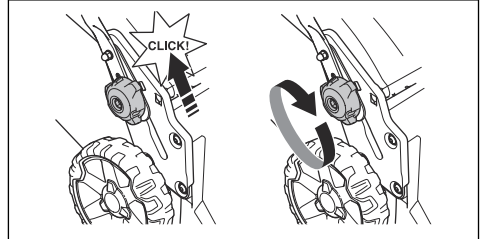


Tuotteen asettaminen käyttöasentoon

1. Taita kahva pystyasentoon.



2. Liu'uta nuppeja ylöspäin kahvaa kohti, kunnes ne pysähtyvät ja kuulet naksahduksen.



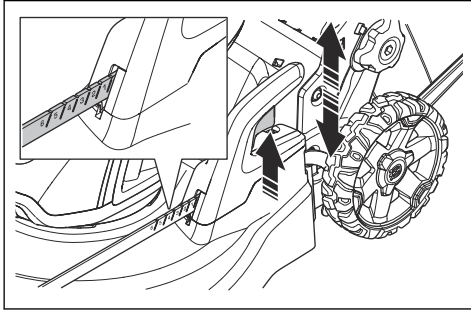
3. Kiristä nupit huolellisesti.

Leikkuukorkeuden asettaminen

Leikkuukorkeuden säädössä on 6 tasoa.

1. Vähennä leikkuukorkeutta siirtämällä leikkuukorkeuden säätövipua alaspäin.

2. Lisää leikkuukorkeutta siirtämällä leikkuukorkeuden säätövipua ylöspäin.



HUOMAUTUS: Älä aseta leikkuukorkeutta liian alhaiseksi. Jos ruohikon pinta ei ole tasainen, terät voivat osua maahan.

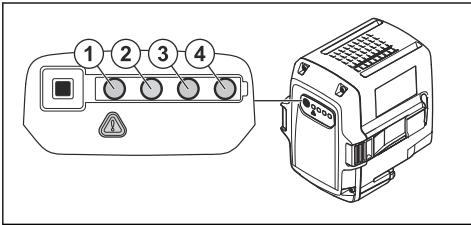
Akku



VAROITUS: Ennen kuin käytät akkua, lue turvallisuutta käsittelevä luku niin, että ymmärrät sen sisällön. Lue myös akun ja akkularurin käyttöohje niin, että ymmärrät sen sisällön.

Akun tila

Näyttö osoittaa akun varaustason ja mahdolliset akkuun liittyvät ongelmat. Akun varaustaso näytetään viiden sekunnin ajan tuotteen sammuttamisen tai akun varaustilan ilmaisin-painikkeen painamisen jälkeen. Virheen tapahtuessa akun varoitusymboli syttyy. Katso *Akku sivulla 228*.



LED-merkkivalot	Akun tila
Kaikki LED-merkkivalot palavat.	Täysin ladattu (75–100 %)
LED 1, LED 2 ja LED 3 palavat	Akun varaustaso on 50–75 %.
LED 1 ja LED 2 palavat	Akun varaustaso on 25–50 %.

LED-merkkivalot	Akun tila
LED 1 palaa	Akun varaustaso on 0–25 %.
LED 1 vilkkuu.	Akku on tyhjä. Lataa akku.

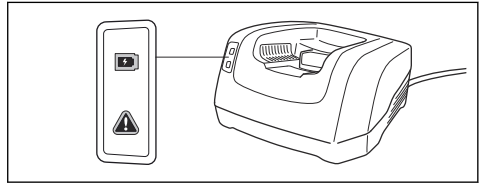
Akun lataaminen

Lataa akku ennen ensimmäistä käyttökertaa. Akun varaus on toimitettaessa vain 30 %.

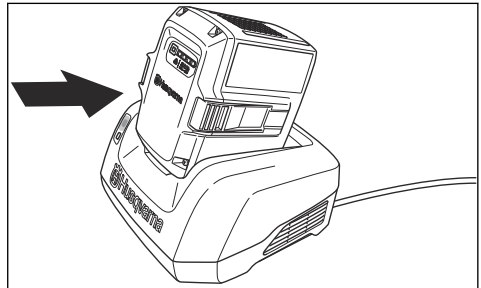
Huomautus: Akkulaturi on kytkettävä tyyppikilven mukaiseen jännitteeseen ja taajuuteen.

Akku ei lataudu, jos akun lämpötila on yli 50 °C. Akkulaturi viilentää akkua ennen kuin se alkaa latautua.

1. Kytke akkularurin virtajohdon toinen pää akkularurin liitäntään.
2. Kytke sitten akkularurin virtajohdon toinen pää maadoitettuun pistorasiaan. Akkularurin vihreä merkkivalo vilkkuu kerran.



3. Aseta akku akkulaturiin. Laturin vihreä valo syttyy, kun akku on kytketty oikein akkulaturiin.



4. Kun akun kaikki LED-merkkivalot syttyvät, akku on ladattu täyteen. Lataa akkua enintään 24 tuntia.
5. Kun irrotat akkularurin pistorasiasta, älä vedä johdosta, vaan pistokkeesta.
6. Irrota akku akkularurista.

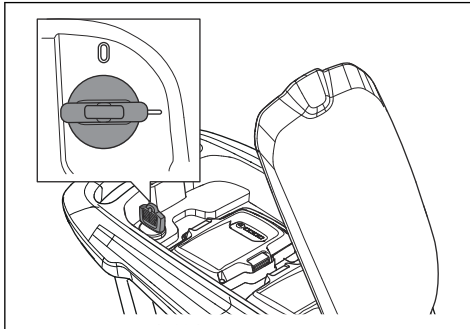
Akun varaustila

Husqvarna-litiumioniakkua voi ladata tai käyttää sen varaustasosta riippumatta. Akku ei ole vaurioitunut. Täyteen ladattu akku ei menetä varaustaan, kun se jätetään laturiin.

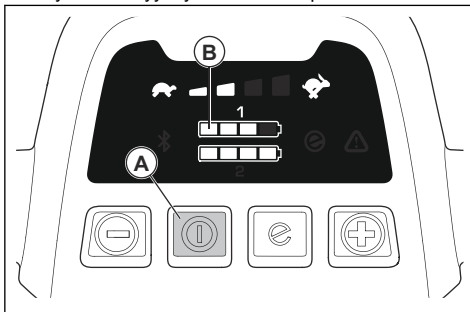
LED-näyttö	Varaustila
LED 1 vilkkuu.	0–25 %
LED 1 palaa, LED 2 vilkkuu	25–50 %
LED 1 ja LED 2 palavat ja LED 3 vilkkuu.	50–75 %
LED 1, LED 2 ja LED 3 palavat, LED 4 vilkkuu.	75–100 %
LED 1, LED 2, LED 3, LED 4 palavat	Täyteen ladattu

Laitteen käynnistäminen

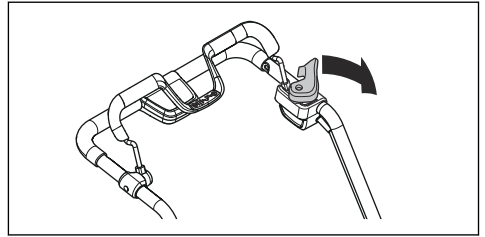
1. Avaa akun kansi.
2. Aseta ladattu akku yhteen akun pidikkeeseen. Pidentää käyttöaikaa asettamalla toinen ladattu akku toiseen akun pidikkeeseen.
3. Käännä turva-avain asentoon 1.



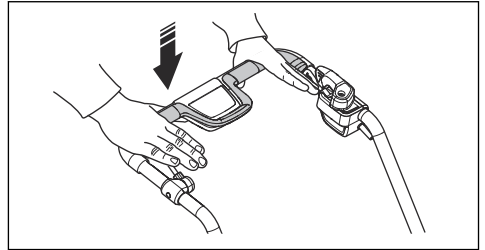
4. Seiso laitteen takana.
5. Paina ohjauspaneelin ON/OFF-virtapainiketta (A). Näyttö käynnistyy. Akun ilmaisin (B) näyttää kahden akun latauksen tilan. Käytössä olevan akun numero näytetään akun ilmaisimen vieressä. LC 347iV, LC 347iVX, LC 353iV, LC 353iVX-malleissa näytössä näkyy myös asetettu nopeus.



6. Avaa käynnistyskesesto.

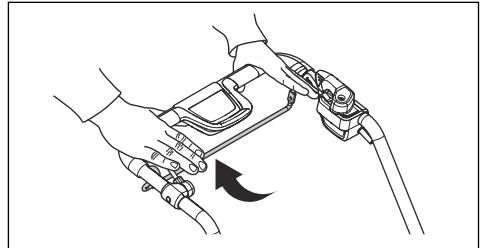


7. Työnnä moottorin jarrukahvaa kahvaston suuntaan.

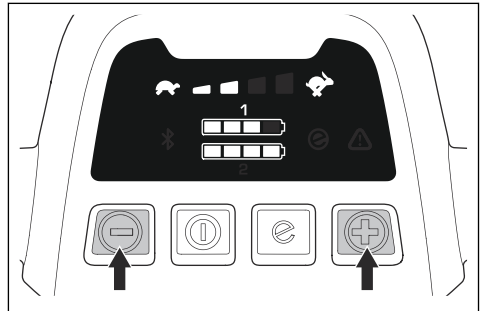


Vetojärjestelmän käyttäminen pyörillä LC 347iV, LC 347iVX, LC 353iV, LC 353iVX

- Käynnistä veto vetämällä vetojärjestelmän sanka työntöaisan suuntaan.



- Voit säätää ajonopeutta neljän eri nopeuden välillä painamalla + tai –-painikkeita ohjauspaneelissa.

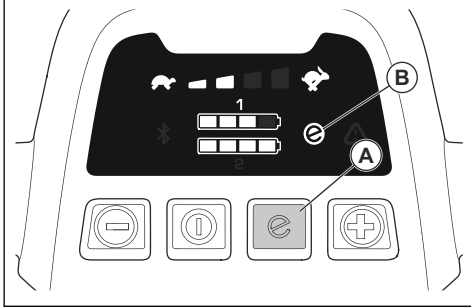


- Kytke vetojärjestelmä pois käytöstä vapauttamalla vetojärjestelmän sanka esimerkiksi lähestyessäsi estettä.

-toiminnon käyttäminen

Laitteessa on akkua säästävä toiminto (), joka pidentää käyttöaikaa.

1. Käynnistä toiminto painamalla -painiketta (A). Näytön -symboli (B) syttyy.
2. Sammuta toiminto painamalla uudelleen -painiketta. Näytön -symboli (B) sammuu.



-toiminto sammuu automaattisesti, jos nurmikon olosuhteet vaativat suurempaa tehoa. -toiminto käynnistyy automaattisesti uudelleen, kun nurmikon olosuhteet sallivat sen.

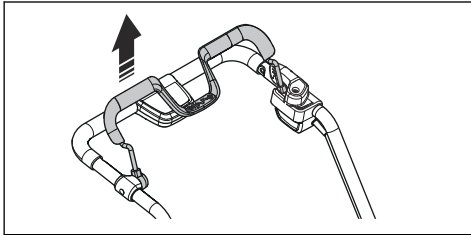
Suuri kuormitus -toiminto

Kun laitteella leikataan korkeaa tai märkää ruohoa, moottori lisää automaattisesti kierrosnopeutta. Moottori siirtyy takaisin normaaliin tilaan, kun suuri kuormitus ei ole tarpeen.

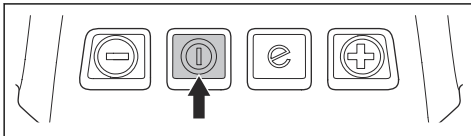
Laitteen pysäyttäminen

Laite sammuu automaattisesti, jos sitä ei käytetä 10 minuuttiin. Käännä turva-avain asentoon 0, ennen kuin jätät laitteen ilman valvontaa.

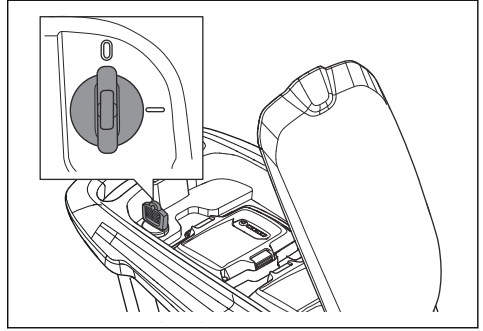
1. Pysäytä moottori vapauttamalla moottorin jarrukahva.



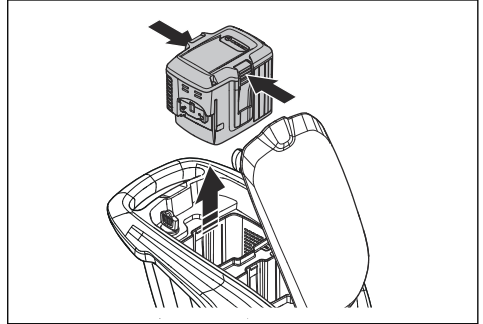
2. Paina ohjauspaneelin ON/OFF-virtapainiketta. Kaikki näytön merkivalot ja symbolit sammuvat.



3. Avaa akun kansi ja käännä turva-avain asentoon 0.



4. Irrota akku painamalla kahta vapautuspainiketta ja vedä akku ulos.



5. Lataa akku, jos sen lataustaso on alhainen. Katso lisätietoja kohdasta *Akun lataaminen* sivulla 224.

Hyvän tuloksen saavuttaminen

- Käytä aina hyvin teroitettua terää. Tylsä terä leikkaa epätasaisesti ja ruohosta tulee keltaista leikatun pinnan kohdalta. Hyvin teroitettu terä käyttää myös tylsää terää vähemmän energiaa.
- Älä leikkaa enempää kuin 1/3 ruohon pituudesta. Aseta leikkuukorkeus ensimmäisellä leikkuukerralla korkeaksi. Tutkittuasi leikkuutuloksen voit laskea leikkuukorkeuden haluamillesi tasolle. Jos ruoho on erittäin pitkää, kulje hitaasti ja leikkaa nurmikko tarvittaessa kaksi kertaa.
- Leikkaa joka kerta eri suuntiin, jotta nurmikkoon ei tule raitoja.

Ruohon leikkaaminen ilman kiinnitettyä ruohonkerääjää tai silppurin tulppaa

- Nosta takasuojus ylös ja irrota ruohonkerääjä.
- Jos silppurin tulppa ja silppuamisterä on kiinnitetty, irrota ne.
- Sulje takasuojus ennen laitteen käyttämistä.

Kun käytät laitetta, ruohosilppu purkautuu takasuojuksen alle.

Huolto

Johdanto



VAROITUS: Ennen minkäänlaisten huoltotöiden aloittamista sinun on luettava turvallisuutta käsittelevä luku niin, että ymmärrät sen sisällön.

Kaikkiin tuotteelle tehtäviin huolto- ja korjaustöihin tarvitaan erityiskoulutus. Takaamme, että tuotteemme huolletaan ja korjataan ammattimaisesti. Jos

jälleenmyyjäsi ei ole huoltoliike, pyydä jälleenmyyjää neuvomaan lähin huoltoliike.

Huoltokaavio

Huoltovälit on laskettu laitteen päivittäisen käytön perusteella. Välit voivat muuttua, jos laitetta ei käytetä päivittäin.

Saat lisätietoja *-merkillä merkityistä huolloista kohdasta *Turvallisuusohjeet käyttöä varten sivulla 217.*

	Jokaisella käyttökerralla	Kuukausittain	Kerran käyttökaudessa
Tee yleistarkastus.	X		
Puhdista laite.	X		
Tarkista käynnistyksenesto *	X		
Varmista, että tuotteen turvalaitteissa ei ole vikoja *	X		
Tarkista terävarustus.	X		
Tarkista leikkuusuojus*.	X		
Tarkista moottorin jarrukahva *	X		
Tarkista, että virtapainike toimii oikein eikä se ole viallinen	X		
Tarkista akku vaurioiden varalta	X		
Tarkista akun varaustila	X		
Tarkista, että akun vapautuspainikkeet toimivat oikein ja että akku lukittuu laitteeseen	X		
Tarkista akkulaturi vaurioiden varalta ja varmista, että se toimii oikein		X	
Tarkista akun ja laitteen väliset kytkennät. Tarkista myös akun ja akkulaturin väliin kytkentä.			X

Yleistarkastus

- Varmista, että tuotteen kaikki ruuvit ja mutterit on kiristetty.
- Varmista, että laitteen kaapelit on asennettu siten, että ne eivät vahingoitu.

Laitteen puhdistaminen

- Puhdista muoviosat puhtaalla ja kuivalla liinalla.
- Älä käytä vettä, kun puhdistat laitetta. Vesi voi päästä akkuun tai moottoriin ja vaurioittaa laitetta tai aiheuttaa oikosulun.
- Älä käytä laitteen puhdistamiseen painepesuria.
- Älä suihkuta vettä suoraan moottorin päälle.
- Poista lehdet, ruoho ja lika harjalla.

Akun ja akkulaturin puhdistaminen



HUOMAUTUS: Älä pese akkua tai akkulaturia vedellä.

- Varmista, että akku ja akkulaturi ovat puhtaita ja kuivia ennen kuin laitat akun akkulaturiin.
- Puhdista akun liittimet paineilmalla tai pehmeällä, kuivalla liinalla.
- Puhdista akun ja akkulaturin pinnat pehmeällä, kuivalla liinalla.

Terävarustuksen tarkistaminen



VAROITUS: Jotta kone ei käynnisty vahingossa, käännä turva-avain asentoon 0, irrota akku ja odota vähintään viisi sekuntia.



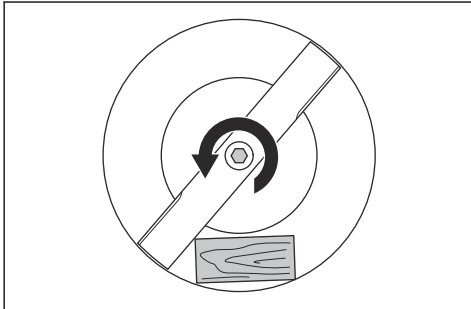
VAROITUS: Käytä suojakäsineitä huoltaessasi terävarustusta. Terä on erittäin terävä ja aiheuttaa helposti haavoja.

1. Tutki terävarustus vaurioiden tai halkeamien varalta. Vaurioitunut terävarustus on aina vaihdettava.
2. Tarkista, onko terä vaurioitunut tai tylsä.

Huomautus: Terä on tasapainotettava oikein teroituksen jälkeen. Anna huoltoliikkeen teroittaa, vaihtaa ja tasapainottaa terä. Jos osut esteeseen niin, että tuote pysähtyy, vaihda vaurioitunut terä. Anna huoltoliikkeen arvioida, voiko terän teroittaa vai onko se vaihdettava.

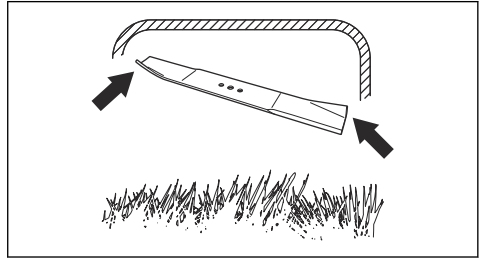
Terän irrottaminen ja vaihtaminen

1. Lukitse terä puukiihalla.

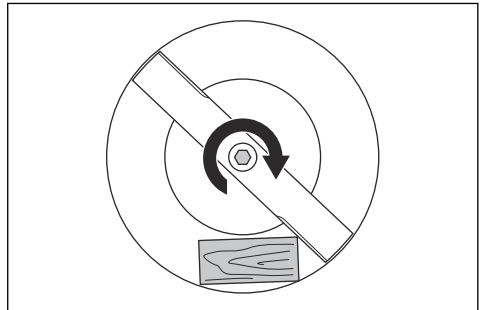


2. Irrota teräpultti.
3. Irrota terä.
4. Tutki terän tuki ja teräpultti vaurioiden varalta.
5. Tutki moottorin akseli ja varmista, ettei se ole vääntynyt.

6. Asenna uusi terä siten, että terän kulmikkaat päät osoittavat leikkusuojuksen suuntaan.



7. Varmista, että terä on kohdistettu moottorin akselin keskiosan kanssa.
8. Lukitse terä puukiihalla. Kiinnitä jousialuslevy paikalleen ja kiristä pultti ja aluslevy momenttiin 23–28 Nm.



9. Pyöritä terää käsin ja varmista, että se pyörii vapaasti.



VAROITUS: Käytä työrukkasia. Terä on erittäin terävä ja aiheuttaa helposti haavoja.

10. Testaa terää käynnistämällä tuote. Jos terä ei ole kiinnitetty asianmukaisesti, tuote tärisee tai sen leikkuutulos ei ole tyydyttävä.

Vianmääritys

Akku

Akun merkkivalo	Mahdolliset viat	Mahdollinen toimenpide
Vihreä merkkivalo vilkkuu	Akun jännite on alhainen	Lataa akku. Katso <i>Akun lataaminen sivulla 224.</i>

Akun merkkivalo	Mahdolliset viat	Mahdollinen toimenpide
Vian merkkivalo vilkkuu	Akun varaus on heikko	Lataa akku. Katso <i>Akku sivulla 228</i> .
	Työympäristön lämpötila on liian korkea tai liian matala	Käytä akkua -10...40 °C:n lämpötilassa.
	Ylijännite	Tarkista, että verkkojännite vastaa laitteeseen kiinnitetystä arvokilvessä ilmoitettua jännitettä. Irrota akku akkulaturista. Odota viisi sekuntia ja yritä ladata akkua uudelleen. Jos ongelma jatkuu, ota yhteys valtuutettuun huoltoliikkeeseen.
Vian merkkivalo palaa	Akkukennoston väli liian suuri (1 V)	Ota yhteys valtuutettuun huoltoliikkeeseen.

Akkulaturi

Akkulaturin merkkivalo	Mahdolliset viat	Mahdollinen toimenpide
Vian merkkivalo vilkkuu	Työympäristön lämpötila on liian korkea tai liian matala	Käytä akkulaturia 5...40 °C:n lämpötilassa.
Vian merkkivalo palaa		Ota yhteys valtuutettuun huoltoliikkeeseen

Ohjauspaneeli

Näppäimistö	Virhekoodi (merkkivalon vilkahdusten määrä)	Mahdolliset viat	Mahdolliset toimenpiteet
Vian merkkivalo vilkkuu	3	Moottori on ylikuormittunut	Nosta leikkuukorkeutta. Katso <i>Leikkuukorkeuden asettaminen sivulla 223</i> .
	5	Moottorin nopeus laskee liikaa.	
	10	Moottorin ohjaus on liian kuumaa	Sammuta moottori ja odota, että se jäähtyy
	2	Terä on jumissa	Jotta laite ei käynnisty vahingossa, käännä turva-avain asentoon 0, irrota akku ja odota vähintään viisi sekuntia. Varmista, että terä pyörii vapaasti. Jos ongelma jatkuu, ota yhteys valtuutettuun huoltoliikkeeseen.
	9	Akkuvika tai akusta ei saada signaalia.	Aseta akku laitteeseen oikein ja tarkista akkuliitin. Jos akun vian merkkivalo vilkkuu. Katso <i>Akku sivulla 224</i> .
Laite pysähtyy	8	Akun varaus on heikko	Lataa akku. Katso <i>Akun lataaminen sivulla 224</i> .
	0	Akkuliitinvika	Tarkasta akkuliitin.
Muut virheet	Jos muita virheitä ilmenee, käännä turva-avain asentoon 0, irrota akku ja ota yhteys valtuutettuun huoltoliikkeeseen.		

Kuljettaminen, säilyttäminen ja hävittäminen

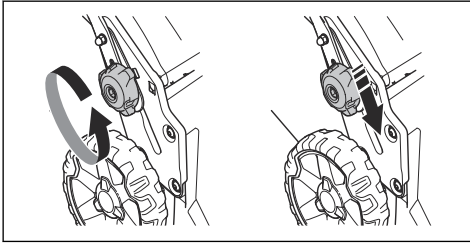
Johdanto



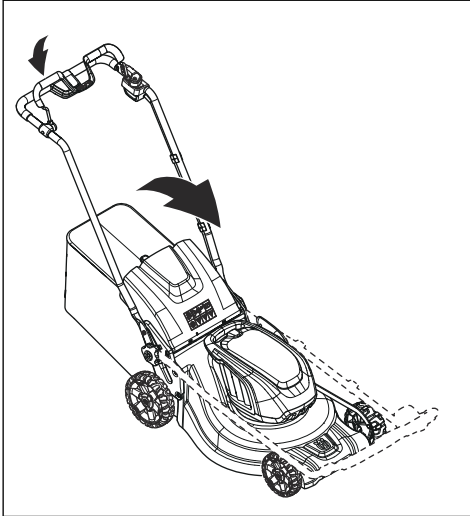
VAROITUS: Jotta kone ei käynnisty vahingossa kuljetuksen aikana, käännä turva-avain asentoon 0, irrota akku ja odota vähintään viisi sekuntia.

Tuotteen asettaminen kuljetusasentoon

1. Irrota alemmat nupit.
2. Liu'uta nupit urien alaosaan laitteen molemmin puolin.



3. Taita kahva eteen.



4. Irrota ruohonkerääjä.

Kuljettaminen

- Vaarallisten aineiden lainsäädännön määräykset koskevat tuotteessa olevia litiumioniakkuja.
- Tavarakuljetuksessa on noudatettava pakkausta ja merkintöjä koskevia erityismääräyksiä.

- Muista noudattaa vaarallisia aineita koskevia määräyksiä, kun valmistelet laitetta kuljetukseen. Myös mahdollisia paikallisia määräyksiä on noudatettava.
- Irrota akku aina kuljetuksen ajaksi.
- Teippaa akkuliittimet ja varmista, että akku ei pääse liikkumaan kuljetuksen aikana.
- Kiinnitä laite kuljetuksen ajaksi.

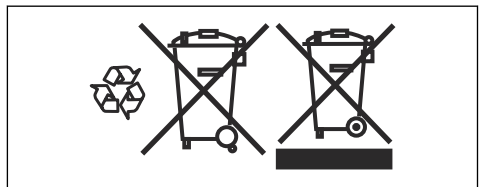
Säilytys

- Irrota akku aina säilytyksen ajaksi.
- Onnettomuuksien välttämiseksi varmista, ettei akku ole kytkettynä laitteeseen säilytyksen aikana.
- Säilytä akkulatoria ainoastaan suljetussa ja kuivassa paikassa.
- Säilytä akkuja ja akkulatoria kuivassa paikassa, jossa lämpötila ei laske pakkasen puolelle.
- Irrota akku akkulatorista varastoinnin ajaksi.
- Älä säilytä akkuja paikassa, jossa on staattista sähköä. Älä säilytä akkuja metallilaatikossa.
- Säilytä akkuja 5–25 °C:n lämpötilassa ja poissa suorasta auringonvalosta.
- Säilytä akkulatoria 5–45 °C:n lämpötilassa ja poissa suorasta auringonvalosta.
- Varmista, että akun varastaso on 30–50 % ennen pitkäaikaista säilytystä.
- Säilytä laitetta, akkuja ja akkulatoria lukitussa tilassa lasten ja asiaankuulumattomien henkilöiden ulottumattomissa.
- Puhdista laite ja tee täysi huolto ennen pitkäaikaista säilytystä.

Hävittäminen

Laitteessa tai sen pakkauksessa olevat symbolit osoittavat, ettei laitetta saa hävittää kotitalousjätteen mukana. Se on toimitettava asianmukaiseen sähkö- ja elektroniikkalaitteiden keräyspisteeseen.

Varmistamalla laitteen asianmukaisen hävittämisen autat vähentämään mahdollisia negatiivisia ympäristövaikutuksia, joita tämän laitteen virheellisestä hävittämisestä koituisi. Lisätietoja tämän laitteen kierrätyksestä saat ottamalla yhteyden kotikuntasi viranomaisiin, jätehuoltoon tai laitteen myyneeseen liikkeeseen.



Tekniset tiedot

Tekniset tiedot

	LC 247iX/LC 247i	LC 347iVX/LC 347iV	LC 353iVX/LC 353iV
Leikkumoottori			
Moottorityyppi	BLDC (harjaton) 36 V	BLDC (harjaton) 36 V	BLDC (harjaton) 36 V
Moottorin nopeus – SavE, r/min	2 600	2 600	2 600
Moottorin nopeus – nimellinen, r/min	3 000	3 000	3 000
Moottorin nopeus – suuri kuormitus, r/min	3 500	3 500	3 500
Moottorin teho – enintään, kW	0,96	0,96	1,05
Moottorin teho – nimellinen, kW	0,75	0,75	0,9
Ajomootori			
Moottorin teho – nimellinen, kW	–	0,25	0,25
Liikkumisnopeus, km/h	–	3,0-4,5	3,0-4,5
Nopeuden säätötasot	–	4	4
Paino			
Paino ilman akkua, kg	24	26	28
Akku			
Akkutyyppi	Husqvarna-akkusarja	Husqvarna-akkusarja	Husqvarna-akkusarja
Akun käyttöaika			
Akun käyttöaika, min, (vapaa käyttö) SavE-toiminto käytössä, yksi 5,2 Ah:n Husqvarna-akku (Bli200).	43	43	32
Akun käyttöaika minuutteina (joutokäynti), normaali tila käytössä, yksi 5,2 Ah:n Husqvarna-akku (Bli200).	30	30	20
Melupäästöt ²⁵			
Äänen tehotaso, mitattu dB(A)	94	94	97
Äänen tehotaso, taattu L _{WA} dB(A)	95	95	98
Äänitasot ²⁶			
Äänenpainetaso käyttäjän korvan tasalla, dB(A)	82	82	86
Tärinätasot ²⁷			
Kahva, m/s ²	0,42	0,42	2,64

²⁵ Melupäästö ympäristöön äänentehona (L_{WA}) EY-direktiivin 2000/14/EY mukaisesti mitattuna.

²⁶ Äänenpainetasoista ilmoitettujen tietojen tyypillinen tilastollinen hajonta (keskihajonta) on 1,2 dB(A).

²⁷ Tärinätasolle ilmoitetuissa tiedoissa tyypillinen tilastollinen hajonta (vakiopoikkeama) on 0,2 m/s². Tärinästandardi EN 60335-2-77:2017, luku 20.105

	LC 247iX/LC 247i	LC 347iVX/LC 347iV	LC 353iVX/LC 353iV
Terälaite			
Leikkuukorkeus, mm	20–75 mm	20–75 mm	20–75 mm
Leikkuuleveys, cm	47	47	53
Terä, vakio	Keruulaite 5905934-10	Keruulaite 5905934-10	Keruulaite 5940757-10
Teräisävaruste	Silppuava 5907010-10	Silppuava 5907010-10	Silppuava 5950072-10
Ruohonkerääjän tilavuus litroina	55	55	60

Bluetooth®-yhteyden radiotaajuuden tiedot	LC 247iX	LC 347iVX	LC 353iVX
Taajuuskaista, GHz	2,4–2,4835	2,4–2,4835	2,4–2,4835
Enimmäislähtöteho, dBm	4	4	4

Hyväksytyt akut	Tyyppi	Akun kapasiteetti, Ah	Jännite, V	Paino, kg
BLi20	Litiumioni	4,0	36	1,2
BLi30	Litiumioni	7,7	36	1,9
BLi200	Litiumioni	5,2	36	1,3
BLi300	Litiumioni	9,4	36	4,1

Hyväksytyt laturit tietyille BLi-akuille	Tulojännite, V	Taajuus, Hz	Teho, W
QC80	100-240	50-60	80
QC80F	12	0	80
QC250	100-240	50-60	250
QC330	100-240	50-60	330
QC500	100-240	50-60	500

EY-vaatimustenmukaisuusvakuutus

EY-vaatimustenmukaisuusvakuutus

Husqvarna AB, SE-561 82 Huskvarna, Ruotsi, puh.: +46-36-146500, vakuuttaa, että **ruohonleikkuri Husqvarna LC 247I, LC 247IX, LC 347IV, LC 347IVX, LC 353IV, LC 353IVX** vuodesta 2018alkaen on seuraavien NEUVOSTON DIREKTIIVIEN mukaisia:

- 8. kesäkuuta 2011 annettu direktiivi **2011/65/EU** tiettyjen vaarallisten aineiden käytön rajoittamisesta
- 17. toukokuuta 2006 annettu konedirektiivi **2006/42/EY**
- 8. toukokuuta 2000 annettu laitemeludirektiivi **2000/14/EY**.

Katso lisätietoja melupäästöistä osiosta *Tekniset tiedot sivulla 231*.

Seuraavia standardeja on sovellettu:

EN/IEC 60335-1, EN/IEC 60335-2-77, EN/IEC 62233, EN 55014-1, EN ETSI 301 489-7 v1.3.1, EN 61000-6,

ETSI EN 61000-6-1, EN 300 328 BT low energy Tx/Rx, EN 50581

Yllä luetellut standardit ovat standardien uusimmat julkaistut versiot, mikäli muuta ei ole ilmoitettu.

Ilmoitettu tarkastuslaitos: **0404, RISE SMP Svensk Maskinprovning AB, Box 7035, SE-750 07 Uppsala** on arvioinut vaatimustenmukaisuuden direktiivin 2000/14/EY liitteen VI mukaisesti.

Huskvarna, 2020-04-22



Claes Losdal, kehityspäällikkö/puutarhatuotteet
(Husqvarna AB:n valtuutettu ja teknisestä dokumentaatiosta vastaava edustaja)

Rekisteröidyt tavaramerkit

Bluetooth®-sanamerkki ja -logot ovat *Bluetooth SIG, inc.*:n omistamia rekisteröityjä tavaramerkkejä. Husqvarna käyttää kyseisiä merkkejä luvanvaraisesti.

Sommaire

Introduction.....	234	Dépannage.....	255
Sécurité.....	238	Transport, entreposage et mise au rebut.....	256
Montage.....	247	Caractéristiques techniques.....	257
Utilisation.....	248	Déclaration de conformité CE.....	260
Entretien.....	253	Marques déposées.....	260

Introduction

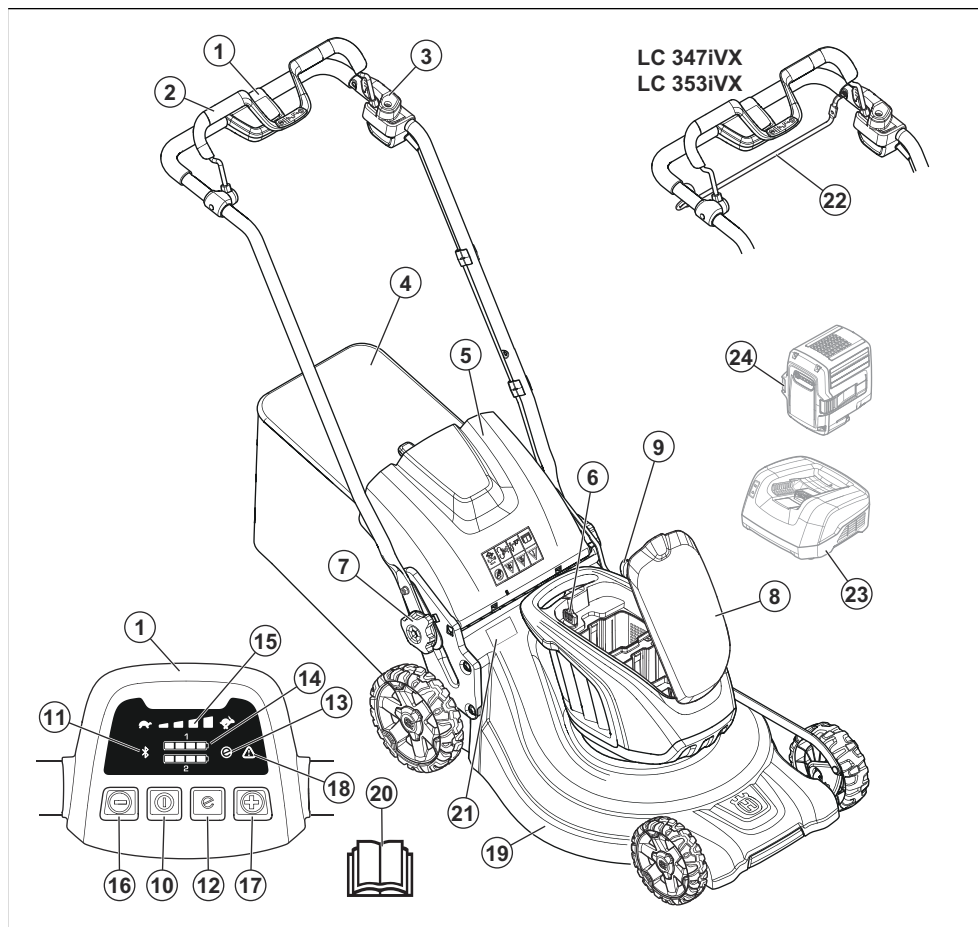
Description du produit

Le produit est une tondeuse rotative à pousser. L'herbe est recueillie dans un collecteur d'herbe. Retirez le collecteur d'herbe pour permettre l'éjection arrière de l'herbe. Fixez un kit de mulching (accessoire) pour broyer l'herbe et la transformer en engrais.

Utilisation prévue

Utilisez le produit pour couper l'herbe. N'utilisez pas ce produit pour d'autres travaux.

Aperçu du produit



- | | |
|--|--|
| <ol style="list-style-type: none"> 1. Panneau de commande 2. Poignée de frein moteur 3. Antidémarrage 4. Collecteur d'herbe 5. Couvercle arrière 6. Clé de sécurité 7. Bouton de poignée 8. Capot de la batterie 9. Commande de réglage de la hauteur de coupe 10. Bouton MARCHE/ARRÊT 11. Indicateur de technologie sans fil <i>Bluetooth®</i> 12. Bouton SavE 13. Indicateur SavE 14. Indicateur de batterie | <ol style="list-style-type: none"> 15. Témoin de niveau de la vitesse (LC 347iV, LC 347iVX, LC 353iV, LC 353iVX) 16. Bouton de décrémentement de la vitesse (LC 347iV, LC 347iVX, LC 353iV, LC 353iVX) 17. Bouton d'incrémentement de la vitesse (LC 347iV, LC 347iVX, LC 353iV, LC 353iVX) 18. LED d'erreur 19. Capot de coupe 20. Manuel de l'opérateur 21. Plaque d'identification 22. Manette de commande (LC 347iV, LC 347iVX, LC 353iV, LC 353iVX) 23. Chargeur de batterie (accessoire) 24. Batterie (accessoire) |
|--|--|

Symboles concernant le produit



AVERTISSEMENT !
Soyez prudent et utilisez le produit correctement. Ce produit peut causer des blessures graves, voire mortelles, à l'opérateur ou à d'autres personnes.



Lisez attentivement le manuel d'utilisation et assurez-vous de bien comprendre les instructions avant utilisation.



Maintenez les personnes et les animaux à une distance suffisante de la zone de travail.



Attention : projections et ricochets.



Avvertimento :
Mantenete le mani e i piedi a distanza dalla lama in rotazione.



Avvertimento :
Mantenete i piedi e le mani a distanza dalle parti in movimento.



Retirez la clé de sécurité avant d'effectuer des travaux de réparation ou d'entretien.



Ne les exposez pas à la pluie.



Le produit ou son emballage ne font pas partie des ordures ménagères. Déposez-le dans une station de recyclage pour équipements électriques et électroniques.



Le produit est conforme aux directives CE en vigueur.



Le produit est conforme aux directives de l'Union douanière eurasiatique en vigueur.



Le produit est conforme aux directives UkrSEPRO en vigueur.



Le produit est conforme aux directives RCM en vigueur. S'applique à l'Australie/la Nouvelle-Zélande uniquement



Émissions sonores dans l'environnement selon la directive européenne 2000/14/CE et la législation de la Nouvelle-Galles du Sud « Protection of the Environment Operations (Noise Control) Regulation 2017 ». L'étiquette de la machine et le chapitre Caractéristiques techniques contiennent des données sur les émissions sonores.

IPX1 Le produit est protégé contre les gouttes d'eau.

Procédure de démarrage : appuyez sur le bouton ON/OFF, relâchez l'anti-démarrage, puis poussez la poignée du frein moteur vers le bas.



Relâchez la poignée de frein moteur pour arrêter.



Lent



Rapide



Code optiquement lisible

Remarque: Les autres symboles/ autocollants présents sur le produit concernent des exigences de certification spécifiques à certains marchés.

Étiquette sur le produit



Maintenez les mains et les pieds à distance des lames en rotation.

Responsabilité

Conformément à la loi sur la responsabilité du fait des produits, nous déclinons toute responsabilité pour tout dommage causé par notre produit si :

- le produit n'est pas correctement réparé ;
- le produit est réparé avec des pièces qui ne proviennent pas du fabricant ou qui ne sont pas homologuées par le fabricant ;

- le produit est équipé d'un accessoire qui ne provient pas du fabricant ou qui n'est pas homologué par le fabricant ;
- le produit n'est pas réparé par un centre d'entretien agréé ou par une autorité homologuée.

Sécurité

Définitions de sécurité

Des avertissements, des recommandations et des remarques sont utilisés pour souligner des parties spécialement importantes du manuel.



AVERTISSEMENT:

Symbole utilisé en cas de risque de blessures ou de mort pour l'opérateur ou les personnes à proximité si les instructions du manuel ne sont pas respectées.



REMARQUE: Symbole utilisé en cas de risque de dommages pour le produit, d'autres matériaux ou les environs si les instructions du manuel ne sont pas respectées.

Remarque: Symbole utilisé pour donner des informations

supplémentaires pour une situation donnée.

Instructions générales de sécurité



AVERTISSEMENT:

Lisez les instructions qui suivent avant d'utiliser le produit.

- Ce produit est dangereux s'il est utilisé de manière incorrecte ou imprudente. Des blessures graves ou mortelles peuvent se produire si vous ne respectez pas les instructions de sécurité.
- Ce produit génère un champ électromagnétique durant son fonctionnement. Ce champ peut dans certaines circonstances perturber le fonctionnement d'implants médicaux actifs ou passifs. Pour réduire le risque de blessures graves ou mortelles, les personnes portant des implants médicaux doivent consulter leur médecin et le

fabricant de leur implant avant d'utiliser ce produit.

- Soyez toujours prudent et utilisez votre bon sens. Si vous ne savez pas comment faire fonctionner le produit dans une situation particulière, ne l'utilisez pas et contactez votre Husqvarna revendeur avant de poursuivre.
- N'oubliez pas que l'opérateur sera tenu responsable des accidents occasionnés à des tiers et à leurs biens.
- Maintenez le produit propre. Assurez-vous que vous pouvez lire clairement les avertissements et les autocollants.
- N'autorisez jamais des enfants ou des personnes qui ne sont pas familiarisées avec ces instructions à se servir de cet appareil. Les réglementations nationales peuvent limiter l'âge de l'utilisateur
- Surveillez constamment les personnes aux capacités physiques ou mentales réduites qui utilisent ce produit. Un adulte responsable doit être présent à tout moment.
- N'utilisez jamais l'appareil si vous êtes fatigué ou malade, ou si vous êtes sous l'emprise

d'alcool, de drogues ou de médicaments. Cela a un effet négatif sur votre vision, votre vigilance, votre coordination et votre jugement.

- N'utilisez pas le produit si celui-ci est défectueux.
- Ne modifiez jamais le produit et ne l'utilisez jamais s'il est susceptible d'avoir été modifié par un tiers.

Sécurité dans l'espace de travail



AVERTISSEMENT:

Lisez les instructions qui suivent avant d'utiliser le produit.

- Retirez les objets tels que les branches, les brindilles et les pierres de la zone de travail avant d'utiliser le produit.
- Les objets heurtant l'équipement de coupe peuvent être éjectés et causer des blessures ou des dégâts matériels. Maintenez les personnes aux alentours et les animaux à une distance suffisante du produit.
- N'utilisez jamais le produit par mauvais temps, par exemple en cas de brouillard, de pluie, de vent violent, de froid intense et de risque d'éclair.

Utiliser le produit par mauvais temps ou dans des environnements humides est fatigant. Le mauvais temps peut rendre les conditions de travail dangereuses : des surfaces peuvent par exemple devenir glissantes.

- Identifiez les éventuels personnes, objets et situations susceptibles de nuire à la sécurité du fonctionnement du produit.
- Soyez attentif aux obstacles tels que les racines, les pierres, les brindilles, les fosses et les fossés. L'herbe haute peut cacher des obstacles.
- Il peut être dangereux de couper l'herbe sur des terrains en pente. N'utilisez pas la tondeuse sur des pentes très raides. N'utilisez pas le produit sur un sol dont la pente est supérieure à 15°.
- Faites très attention lorsque vous changez de direction sur des surfaces en pente. Faites fonctionner le produit en travers de la courbe de la pente, jamais de haut en bas.
- Soyez prudent lorsque vous vous approchez de coins cachés et d'objets qui

empêchent d'avoir une vue dégagée.

Sécurité du travail



AVERTISSEMENT:

Lisez les instructions qui suivent avant d'utiliser le produit.

- Utilisez le produit uniquement pour couper les pelouses. Il est interdit d'utiliser le produit pour d'autres travaux.
- Utilisez un équipement de protection personnelle. Reportez-vous à la section *Équipement de protection individuelle à la page 242*.
- Assurez-vous de savoir comment couper le moteur rapidement en cas d'urgence.
- Le produit ne doit pas être exposé à la pluie ou à l'humidité. Le risque de choc électrique augmente si de l'eau pénètre dans le produit.
- Faites fonctionner le produit uniquement si la lame et tous les couvercles sont fixés correctement. Une lame fixée de manière inadéquate risque de se détacher et de causer des blessures personnelles.
- Assurez-vous que la lame ne touche pas des objets tels que des pierres et des racines.

Cela peut endommager la lame et tordre l'arbre du moteur. Un arbre tordu génère de fortes vibrations, il y a alors un risque important que la lame se détache.

- Arrêtez immédiatement le produit s'il vibre ou bute sur un objet. Arrêtez le moteur, tournez la clé de sécurité sur 0 et déposez la batterie. Vérifiez que le produit n'est pas endommagé. Réparez les éventuels dommages ou demandez à un atelier spécialisé agréé procéder aux réparations.
- N'attachez jamais la poignée de frein moteur en permanence à la poignée de commande quand le moteur est mis en marche.
- Placez le produit sur une surface stable et plane, puis lancez-le. Vérifiez que la lame ne touche pas le sol ou tout autre objet.
- Restez toujours derrière le produit lorsque vous l'utilisez.
- Faites reposer toutes les roues sur le sol et conservez vos deux mains sur la poignée lorsque vous faites fonctionner le produit. Maintenez les mains et les pieds à distance des lames en rotation.
- N'inclinez pas le produit quand le moteur est mis en marche.
- Soyez prudent lorsque vous tirez le produit vers l'avant.
- Ne soulevez jamais le produit quand le moteur est mis en marche. Si vous devez soulever le produit, arrêtez d'abord le moteur, tournez la clé de contact sur 0 et déposez la batterie.
- Ne marchez pas vers l'arrière lorsque vous utilisez le produit.
- Arrêtez le moteur lorsque vous vous déplacez à travers des zones exemptes d'herbe, par exemple des chemins de gravier, de pierre ou d'asphalte.
- Ne courez pas lorsque vous utilisez le produit et que le moteur est mis en marche. Vous devez toujours marcher lorsque vous utilisez le produit.
- Arrêtez le moteur avant de modifier la hauteur de coupe. N'effectuez jamais de réglages pendant que le moteur tourne.
- Ne quittez jamais le produit des yeux pendant que le moteur tourne. Arrêtez le moteur et assurez-vous que l'équipement de coupe ne tourne pas.

Consignes de sécurité pour le fonctionnement

Équipement de protection individuelle



AVERTISSEMENT:

Lisez les instructions qui suivent avant d'utiliser le produit.

- L'équipement de protection individuel ne protège pas complètement des blessures, mais il diminue la gravité des blessures en cas d'accident. Faites appel à votre revendeur pour vous aider à sélectionner l'équipement adéquat.
- Portez des bottes ou chaussures antidérapantes à usage intensif. Ne portez pas de chaussures ouvertes et ne soyez pas pieds nus lorsque vous utilisez le produit.
- Utilisez des pantalons longs et épais.
- Portez des gants de protection en cas de besoin, par exemple lorsque vous fixez, examinez ou nettoyez l'équipement de coupe.

Dispositifs de sécurité sur le produit



AVERTISSEMENT:

Lisez les instructions qui

suivent avant d'utiliser le produit.

- N'utilisez pas un produit avec des dispositifs de sécurité défectueux.
- Contrôlez les dispositifs de sécurité régulièrement. Si les dispositifs de sécurité sont défectueux, parlez-en à votre agent d'entretien Husqvarna.

Pour contrôler le capot de coupe

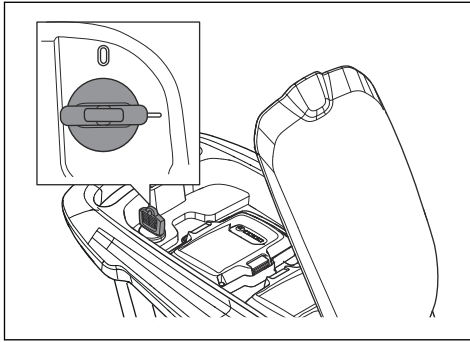
Le capot de coupe réduit les vibrations dans le produit et réduit le risque de blessures provoquées par la lame.

- Examinez le capot de coupe pour vous assurer qu'il ne présente pas de dommages tels que des fissures.

Clé de sécurité

La clé de sécurité se trouve sous le couvercle de la batterie. La clé de sécurité est reliée à la batterie qui alimente le moteur.

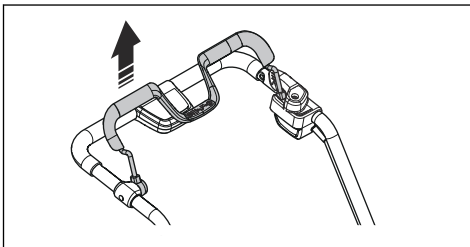
- Démarrez et arrêtez le moteur pour contrôler la clé de sécurité.
- Si la clé de sécurité fonctionne correctement, le moteur démarre seulement lorsque la clé de sécurité est en position 1.



Poignée de frein moteur

La poignée de frein moteur arrête le moteur. Lorsque la poignée de frein moteur est relâchée, le moteur s'arrête.

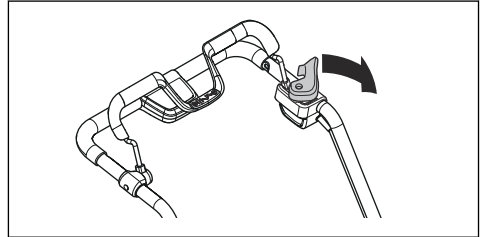
Pour inspecter le frein moteur, démarrez le moteur, puis relâchez la poignée de frein moteur. Si le moteur ne s'arrête pas au bout de 3 secondes, demandez à un atelier Husqvarna spécialisé agréé de régler le frein moteur.



Pour contrôler l'antidémarrage

Contrôlez l'antidémarrage afin de vous assurer qu'il empêche le fonctionnement du moteur.

1. Poussez la poignée de frein moteur en direction du guidon. L'antidémarrage arrête le mouvement.
2. Poussez l'antidémarrage.



3. Relâchez l'antidémarrage et assurez-vous qu'il revient dans sa position initiale.

Consignes de sécurité relatives à l'utilisation de la batterie



AVERTISSEMENT: lisez les instructions qui suivent avant d'utiliser le produit.

- Utilisez des batteries rechargeables Husqvarna pour alimenter les produits Husqvarna uniquement. Afin d'éviter toute blessure, n'utilisez pas la batterie comme source d'alimentation pour d'autres produits.
- N'utilisez pas de batteries non rechargeables.
- Risque de choc électrique. Ne branchez pas les bornes de la batterie à des clés, des pièces

de monnaie, des vis ou tout autre élément métallique. Cela peut provoquer un court-circuit de la batterie.

- Ne placez pas d'objets dans les fentes d'aération de la batterie.
- Protégez la batterie des rayons directs du soleil, de la chaleur et des flammes nues. La batterie peut exploser et provoquer des brûlures et/ou des brûlures chimiques.
- Protégez la batterie de la pluie et de l'humidité.
- Protégez la batterie des micro-ondes et des hautes pressions.
- N'essayez pas de démonter ou de casser la batterie.
- En cas de fuite de la batterie, ne laissez pas le liquide entrer en contact avec votre peau ou vos yeux. Si vous avez touché le liquide, nettoyez la zone avec beaucoup d'eau claire et contactez un médecin.
- Utilisez la batterie à une température comprise entre -10 °C et 40 °C.
- Ne nettoyez pas la batterie ou le chargeur de batterie avec de l'eau. Consultez la section *Pour nettoyer la batterie et le chargeur de batterie à la page 254.*

- N'utilisez pas de batterie défectueuse ou endommagée.
- Conservez les batteries en stock à distance des objets métalliques, tels que clous, pièces de monnaie ou bijoux.

Consignes de sécurité relatives au chargeur de batterie



AVERTISSEMENT: lisez les instructions qui suivent avant d'utiliser le produit.

- Utilisez uniquement des chargeurs de batterie QC Husqvarna pour charger les batteries de remplacement.
- Risque de choc électrique ou de court-circuit. Ne placez pas d'objets dans les fentes d'aération du chargeur. N'essayez pas de démonter le chargeur de batterie. Ne raccordez pas les bornes du chargeur à des objets métalliques. Utilisez une prise secteur agréée.
- Ce produit génère un champ électromagnétique durant son fonctionnement. Ce champ peut dans certaines circonstances perturber le fonctionnement d'implants médicaux actifs ou passifs. Pour réduire le risque de

blessures graves ou mortelles, les personnes portant des implants médicaux doivent consulter leur médecin et le fabricant de leur implant avant d'utiliser cet appareil.

- Assurez-vous régulièrement que le cordon d'alimentation du chargeur de batterie n'est pas endommagé et qu'il ne présente aucune fissure.
- Ne soulevez pas le chargeur de batterie par le cordon d'alimentation. Pour débrancher le chargeur de batterie d'une prise d'alimentation secteur, tirez sur la fiche. Ne tirez pas le cordon d'alimentation.
- Conservez le cordon d'alimentation et les rallonges à l'abri de l'eau, de l'huile et des bords tranchants. Veillez à ce que le câble ne soit pas coincé dans des portes, des clôtures ou tout autre équipement similaire. Le chargeur pourrait être mis sous tension.
- Ne nettoyez pas le chargeur de batterie avec de l'eau.
- Le chargeur de batterie peut être utilisé par des enfants âgés de 8 ans et plus et des personnes ayant des handicaps physiques, sensoriels ou mentaux ou manquant d'expérience et de connaissances à condition qu'ils aient reçu la surveillance ou les instructions appropriées concernant l'utilisation du chargeur de batterie en toute sécurité et qu'ils aient bien compris les risques encourus. Les enfants ne doivent pas jouer avec le chargeur de batterie. Le nettoyage et les opérations d'entretien à effectuer par l'utilisateur ne doivent pas être réalisés par des enfants sans surveillance.
- Ne chargez pas de batterie non rechargeable dans le chargeur de batterie.
- N'utilisez pas le chargeur de batterie à proximité de matériaux inflammables ou de matériaux pouvant provoquer la formation de corrosion. Ne recouvrez pas le chargeur de batterie. En cas de dégagement de fumée ou de début d'incendie, débranchez aussitôt la fiche reliée au chargeur de batterie.
- N'utilisez pas de chargeur de batterie défectueux ou endommagé.
- Rechargez la batterie uniquement en intérieur, dans un endroit bien aéré et à l'abri de la lumière. Ne rechargez

pas la batterie dans des conditions humides.

Consignes de sécurité pour l'entretien



AVERTISSEMENT:

Lisez les instructions qui suivent avant d'utiliser le produit.

- Afin d'éviter tout démarrage accidentel pendant l'entretien, tournez la clé de sécurité sur 0 et retirez la batterie. Attendez au moins 5 secondes avant de commencer l'entretien.
- Effectuez l'entretien correctement afin de prolonger la durée de vie du produit et de réduire les risques d'accident. Faites réaliser les réparations professionnelles par un agent d'entretien agréé. Contactez votre agent d'entretien le plus proche pour plus d'informations.
- Effectuez uniquement les tâches d'entretien décrites dans le présent manuel d'utilisation. Les mesures plus importantes doivent être effectuées par un agent d'entretien agréé.
- Portez des gants de protection robustes lorsque vous manipulez l'équipement de coupe. La lame est très tranchante et des coupures peuvent survenir facilement.
- Maintenez les bords tranchants aiguisés et propres pour obtenir des performances optimales et sûres.
- Laissez à l'agent d'entretien le soin de contrôler régulièrement le produit et d'effectuer les réglages et les réparations nécessaires.
- Remplacez les pièces endommagées, usées ou cassées.
- Respectez les instructions relatives au remplacement des accessoires. Utilisez uniquement des accessoires obtenus auprès du fabricant.
- Lorsqu'ils ne sont pas utilisés, conservez le produit avec la batterie et le chargeur de batterie à part dans un endroit sec, en intérieur et verrouillé. Veillez à ce que les enfants et les personnes non autorisées ne puissent avoir accès au produit, à la batterie ou au chargeur de batterie.

Montage

Introduction



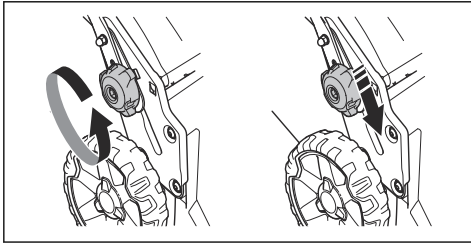
AVERTISSEMENT: Avant d'installer le produit, consultez le chapitre sur la sécurité.



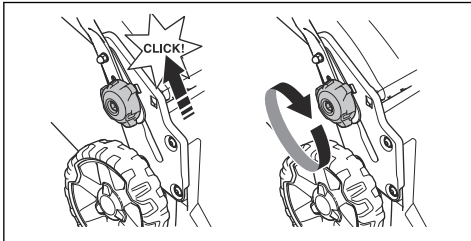
AVERTISSEMENT: Pour éviter tout démarrage accidentel lors du montage, tournez la clé de sécurité sur 0, retirez la batterie et attendez au moins 5 secondes.

Pour régler la poignée

1. Desserrez les boutons inférieurs.
2. Faites glisser les boutons jusqu'aux extrémités inférieures des rainures sur le côté gauche et le côté droit de la machine.



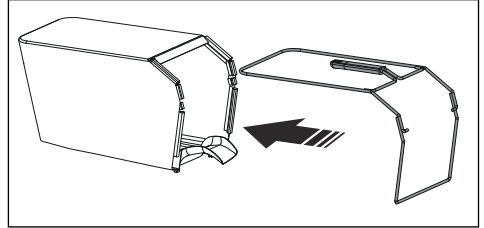
3. Réglez la hauteur de la poignée selon l'une des deux positions disponibles.
4. Déplacez les boutons vers le haut, en direction de la poignée, jusqu'à ce qu'ils s'arrêtent et qu'un clic se fasse entendre.



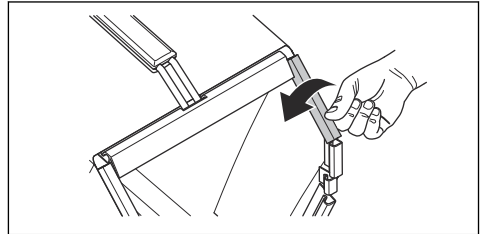
5. Serrez fermement les boutons.

Pour monter le collecteur d'herbe

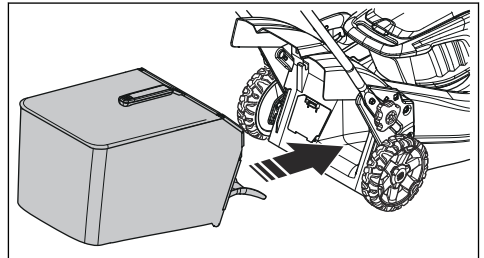
1. Fixez le châssis du collecteur d'herbe au sac à herbe, la partie rigide du sac étant sur la partie inférieure. Maintenez la poignée du châssis sur le dessus du sac à herbe.



2. Fixez la partie inférieure du châssis du collecteur d'herbe dans la rainure au bas du collecteur d'herbe.
3. Fixez le sac à herbe au châssis du collecteur d'herbe à l'aide des clips.



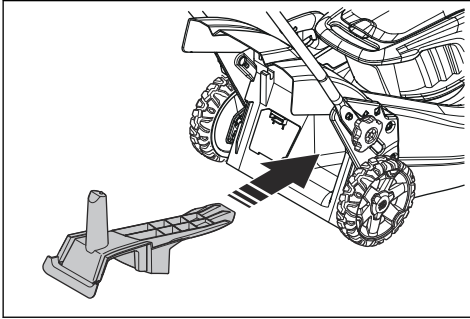
4. Soulevez le capot arrière.
5. Attachez le collecteur d'herbe au bord supérieur du châssis.
6. Placez la partie inférieure du collecteur d'herbe dans le canal d'éjection de l'herbe.



Pour assembler l'obturateur du broyeur (accessoire)

1. Relevez le capot arrière et retirez le collecteur d'herbe.

- Placez l'obturateur du broyeur dans le canal d'éjection.



- Remplacez la lame par la lame de broyeur fournie dans le kit de mulching. Reportez-vous à la section *Pour retirer et remplacer la lame à la page 254.*

Utilisation

Introduction



AVERTISSEMENT: Avant d'utiliser le produit, vous devez lire et comprendre le chapitre sur la sécurité.

Husqvarna Connect

Husqvarna Connect est une application gratuite pour votre appareil mobile. L'application Husqvarna Connect offre des fonctions étendues à votre produit Husqvarna :

- Informations produit détaillées.
- Informations et aide sur les pièces et l'entretien du produit.

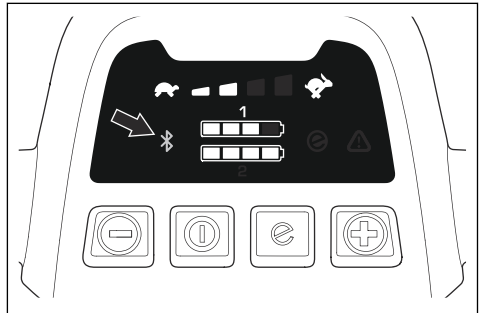
Pour commencer à utiliser Husqvarna Connect

- Téléchargez l'application Husqvarna Connect sur votre appareil mobile.
- Enregistrez-vous sur l'application Husqvarna Connect.
- Suivez les instructions de l'application Husqvarna Connect pour vous connecter et enregistrer le produit.

Bluetooth® informations (LC 247iX, LC 347iVX, LC 353iVX)

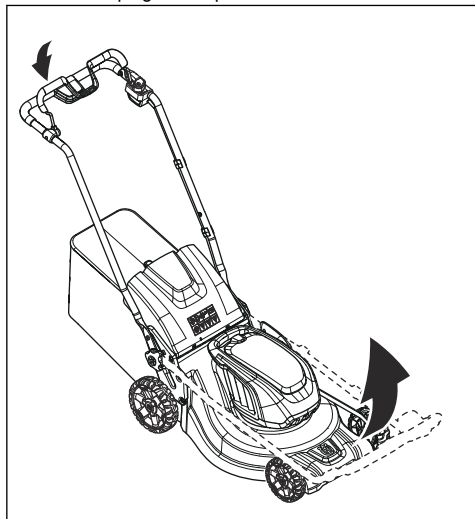
Technologie sans fil Bluetooth®

Le symbole de la technologie sans fil *Bluetooth®* s'allume lorsque votre appareil mobile est connecté au produit.

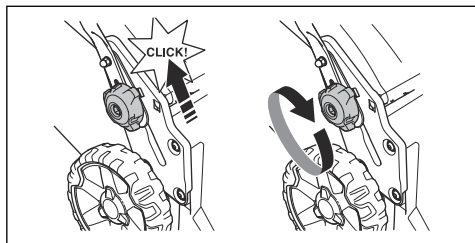


Pour régler le produit en position de fonctionnement

1. Mettez la poignée en position verticale.



2. Déplacez les boutons vers le haut, en direction de la poignée, jusqu'à ce qu'ils s'arrêtent et qu'un clic se fasse entendre.



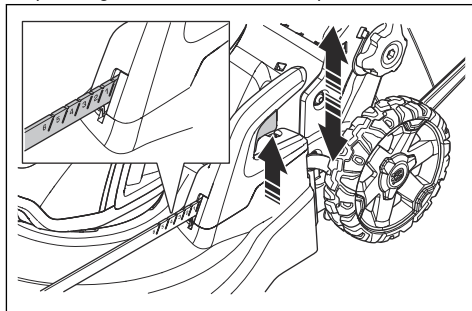
3. Serrez fermement les boutons.

Pour régler la hauteur de coupe

La hauteur de coupe peut être réglée sur 6 niveaux.

1. Déplacez le levier de hauteur de coupe vers le bas pour diminuer la hauteur de coupe.

2. Déplacez le levier de hauteur de coupe vers le haut pour augmenter la hauteur de coupe.



REMARQUE: La hauteur de coupe ne doit pas être réglée trop bas. Les lames peuvent toucher le sol si la surface de la pelouse n'est pas plane.

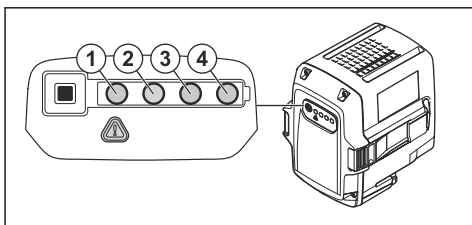
Batterie



AVERTISSEMENT: Avant d'utiliser la batterie, vous devez lire et comprendre le chapitre sur la sécurité. Vous devez également lire et comprendre le manuel d'utilisation de la batterie et du chargeur de batterie.

État de la batterie

L'écran indique la capacité restante de la batterie ainsi que tout problème éventuel lié à la batterie. La capacité de la batterie s'affiche pendant 5 secondes après l'arrêt du produit ou l'enfoncement du bouton d'indicateur de batterie. Le symbole d'avertissement sur la batterie s'allume en cas d'erreur. Consultez la section *Batterie à la page 255*.



Voyants DEL	État de la batterie
Toutes les DEL sont allumées	Batterie complètement chargée (75-100 %)
Les DEL 1, DEL 2 et DEL 3 sont allumées	La batterie est chargée à 50 %-75 %
Les DEL 1 et DEL 2 sont allumées	La batterie est chargée à 25 %-50 %

Voyants DEL	État de la batterie
La DEL 1 est allumée	La batterie est chargée à 0 %-25 %.
La DEL 1 clignote	La batterie est vide. Rechargez la batterie.

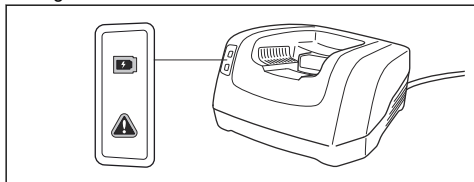
Pour charger la batterie

Chargez la batterie avant la première utilisation. La batterie n'est chargée qu'à 30 % au moment de sa livraison au client.

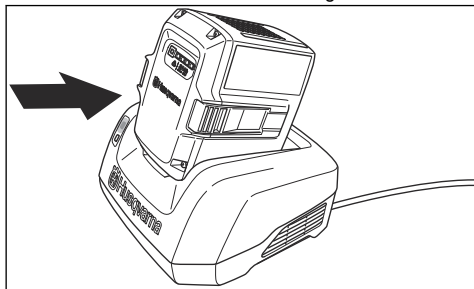
Remarque: Le chargeur de batterie doit être raccordé à la tension et à la fréquence indiquées sur la plaque signalétique.

La batterie ne se charge pas si la température de la batterie est supérieure à 50 °C. Le chargeur de batterie diminue la température de la batterie avant le début de la charge.

1. Branchez une extrémité du cordon d'alimentation du chargeur de batterie dans la prise du chargeur de batterie.
2. Branchez l'autre extrémité du cordon d'alimentation du chargeur de batterie dans une prise secteur mise à la masse. La DEL sur le chargeur de batterie clignote une fois en vert.



3. Placez la batterie dans le chargeur de batterie. Le témoin vert du chargeur s'allume lorsque la batterie est correctement branchée au chargeur de batterie.



4. La batterie est totalement rechargée quand toutes les DEL sur la batterie sont allumées. Chargez la batterie pendant 24 heures au maximum.
5. Pour débrancher le chargeur de batterie de la prise secteur, tirez sur la fiche et non sur le cordon d'alimentation.

6. Dégagez la batterie du chargeur de batterie.

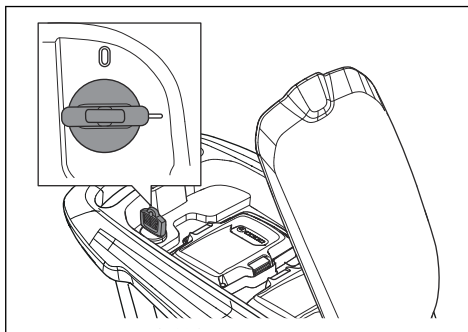
Niveau de charge de la batterie

Une batterie au lithium-ion Husqvarna peut être chargée ou utilisée à tous les niveaux de charge. Vous n'endommagerez pas la batterie. Une batterie pleine ne perdra pas sa charge même si elle est laissée dans le chargeur.

Affichage à DEL	État de charge
La DEL 1 clignote	0 %-25 %
La DEL 1 est allumée, la DEL 2 clignote	25 %-50 %
Les DEL 1 et 2 sont allumées, la DEL 3 clignote	50 %-75 %
Les DEL 1, 2 et 3 sont allumées, la DEL 4 clignote	75 %-100 %
Les DEL 1, 2, 3 et 4 sont allumées	Batterie complètement chargée

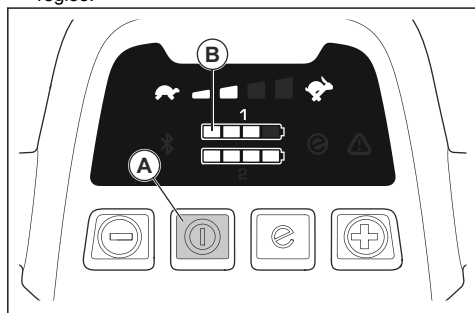
Pour démarrer le produit

1. Ouvrez le couvercle de la batterie.
2. Insérez une batterie chargée dans l'un des supports de batterie. Pour une durée de fonctionnement accrue, placez une deuxième batterie chargée dans l'autre support de batterie.
3. Tournez la clé de sécurité sur 1.

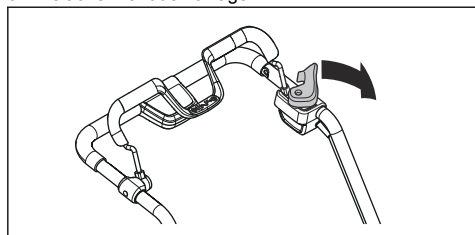


4. Restez derrière le produit.

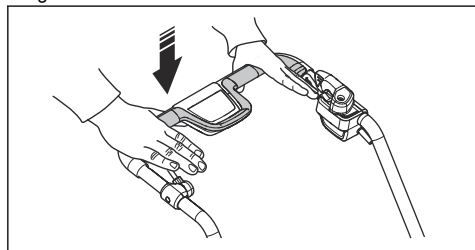
- Appuyez sur le bouton ON/OFF (A) situé sur le panneau de commande. L'écran s'allume. Le témoin de batterie (B) indique le niveau de charge des 2 batteries. Le numéro de la batterie qui fonctionne est indiqué à côté du témoin de batterie. Pour les modèles LC 347iV, LC 347iVX, LC 353iV, LC 353iVX, l'écran indique également la vitesse réglée.



- Relâchez l'antidémarrage.

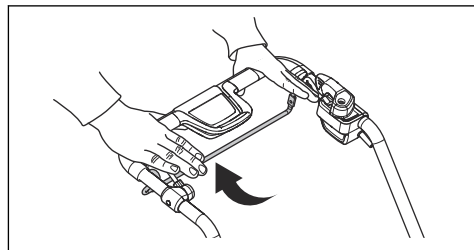


- Poussez la poignée de frein moteur en direction du guidon.

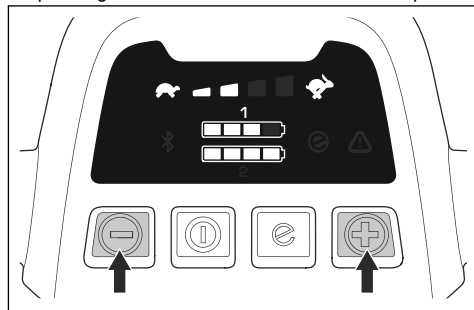


Pour appliquer l'entraînement aux roues LC 347iV, LC 347iVX, LC 353iV, LC 353iVX

- Tirez la manette de commande vers la poignée afin d'actionner l'entraînement.



- Appuyez sur + et - sur le panneau de commande pour régler la vitesse d'entraînement en 4 étapes.

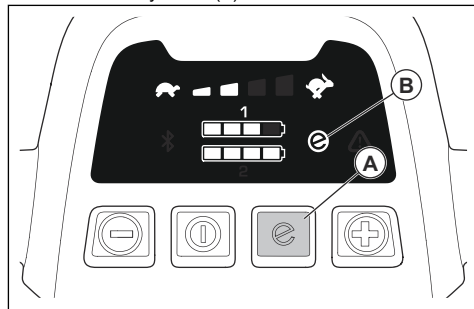


- Relâchez la manette de commande pour désengager l'entraînement, lorsque vous vous rendez à proximité d'un obstacle par exemple.

Utiliser la fonction

Le produit est équipé d'une fonction d'économie de la batterie (e) qui garantit une durée de fonctionnement prolongée.

- Appuyez sur le bouton (A) pour démarrer la fonction. Le symbole (B) à l'écran s'allume.
- Appuyez de nouveau sur le bouton pour arrêter la fonction. Le symbole (B) à l'écran s'éteint.



La fonction s'arrête automatiquement lorsque les conditions de terrain nécessitent une puissance plus élevée. La fonction se relance automatiquement lorsque les conditions de terrain le permettent.

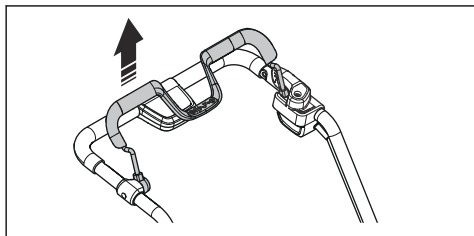
Fonction charge élevée

Lorsque le produit coupe de l'herbe haute ou humide, le régime moteur augmente automatiquement. Le moteur repasse en mode standard lorsqu'une charge élevée n'est plus requise.

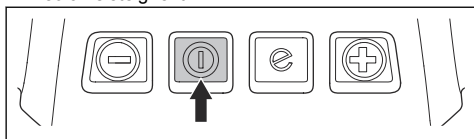
Pour arrêter le produit

Le produit s'arrête automatiquement s'il ne fonctionne pas pendant 10 minutes. Mettez toujours la clé de sécurité sur 0 avant de quitter le produit des yeux.

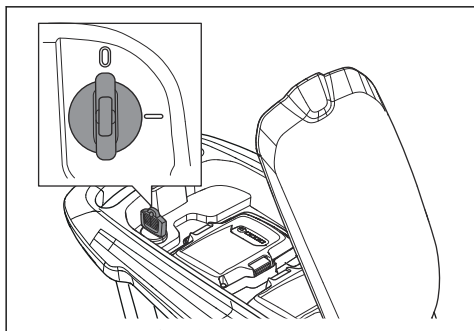
1. Relâchez la poignée de frein moteur pour arrêter le moteur.



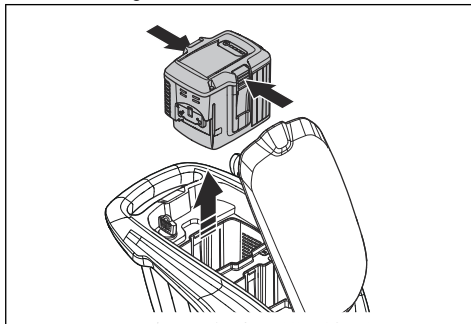
2. Appuyez sur le bouton ON/OFF situé sur le panneau de commande. Tous les symboles et voyants LED à l'écran s'éteignent.



3. Ouvrez le couvercle de batterie et tournez la clé de sécurité sur 0.



4. Pour retirer la batterie, appuyez sur les 2 cliquets de déverrouillage et sortez la batterie.



5. Chargez la batterie si son niveau est faible. Pour plus d'informations, reportez-vous à *Pour charger la batterie à la page 250*.

Obtenir de bons résultats

- Utilisez toujours une lame correctement affûtée. Une lame émoussée produit un résultat irrégulier et l'herbe jaunira à la surface de la coupe. De plus, une lame affûtée consomme moins d'énergie qu'une lame émoussée.
- Ne coupez pas plus d'un tiers de la longueur de l'herbe. Coupez d'abord avec une hauteur de coupe élevée. Examinez le résultat et abaissez la hauteur de coupe à un niveau convenable. Si l'herbe est très longue, tondez lentement, et deux fois si nécessaire.
- Tondez toujours dans différentes directions afin d'éviter de faire des lignes dans la pelouse.

Pour couper l'herbe sans collecteur d'herbe ou obturateur du broyeur fixé

- Relevez le capot arrière et retirez le collecteur d'herbe.
- Si un obturateur et une lame de broyeur sont montés, déposez-les.
- Fermez le couvercle arrière avant d'utiliser le produit.

Lorsque vous faites fonctionner le produit, l'herbe coupée est évacuée sous le couvercle arrière.

Entretien

Introduction



AVERTISSEMENT: Avant d'effectuer des travaux d'entretien, vous devez lire et comprendre le chapitre sur la sécurité.

Une formation spécifique est nécessaire pour effectuer tous les travaux d'entretien et de réparation du produit. Nous garantissons qu'il vous est possible d'obtenir des services de réparation et d'entretien effectués par des

professionnels. Si votre concessionnaire n'est pas un atelier spécialisé, demandez-lui des informations à propos de l'atelier spécialisé le plus proche.

Calendrier de maintenance

Les intervalles d'entretien sont calculés selon une utilisation quotidienne du produit. Les intervalles sont différents si le produit n'est pas utilisé tous les jours.

Pour les travaux d'entretien suivis d'un astérisque (*), consultez les instructions dans la section *Consignes de sécurité pour le fonctionnement à la page 242*.

	Toutes utilisations	Une fois par mois	À chaque saison
Faites une inspection générale	X		
Nettoyez le produit	X		
Contrôlez l'antidémarrage *	X		
Assurez-vous que les dispositifs de sécurité sur le produit ne sont pas défectueux *	X		
Inspectez l'équipement de coupe	X		
Inspectez le capot de coupe *	X		
Contrôlez la poignée du frein moteur *	X		
Assurez-vous que le bouton ON/OFF fonctionne correctement et n'est pas défectueux	X		
Examinez la batterie afin de détecter d'éventuels dommages	X		
Contrôlez le niveau de charge de la batterie	X		
Vérifiez que les cliquets de déverrouillage de la batterie fonctionnent correctement et fixent la batterie dans le produit	X		
Examinez le chargeur de batterie afin de détecter d'éventuels dommages et assurez-vous qu'il fonctionne correctement.		X	
Examinez les connexions entre la batterie et le produit. Examinez également la connexion entre la batterie et le chargeur de batterie.			X

Pour faire une inspection générale

- Assurez-vous que les vis et les écrous du produit sont serrés.
- Assurez-vous que les câbles sur le produit ne sont pas dans une position où ils risquent d'être endommagés.

Pour nettoyer le produit

- Nettoyez les éléments en plastique avec un chiffon sec et propre.

- N'utilisez pas d'eau pour nettoyer le produit. L'eau pourrait pénétrer dans la batterie ou le moteur et provoquer un court-circuit ou endommager le produit.
- N'utilisez pas de nettoyeur haute pression pour le nettoyage du produit.
- Ne jetez pas d'eau directement sur le moteur.
- Utilisez une brosse pour enlever les feuilles, l'herbe et la saleté.

Pour nettoyer la batterie et le chargeur de batterie



REMARQUE: Ne nettoyez pas la batterie ou le chargeur de batterie avec de l'eau.

- Assurez-vous que la batterie et le chargeur de batterie sont propres et secs avant de placer la batterie dans le chargeur de batterie.
- Nettoyez les bornes de la batterie avec de l'air comprimé ou un chiffon sec et doux.
- Nettoyez les surfaces de la batterie et du chargeur de batterie avec un chiffon sec et doux.

Pour inspecter l'équipement de coupe



AVERTISSEMENT: Pour éviter tout démarrage accidentel, tournez la clé de sécurité sur 0, retirez la batterie et attendez au moins 5 secondes.



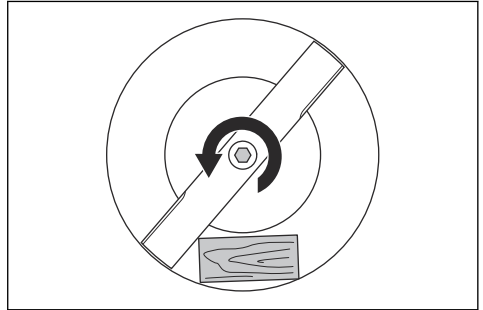
AVERTISSEMENT: Utilisez des gants de protection lorsque vous procédez à l'entretien de l'équipement de coupe. La lame est très tranchante et des coupures peuvent survenir facilement.

1. Inspectez l'équipement de coupe afin de détecter d'éventuels dommages ou fissures. Remplacez toujours un équipement de coupe endommagé.
2. Inspectez la lame pour voir si elle est endommagée ou émoussée.

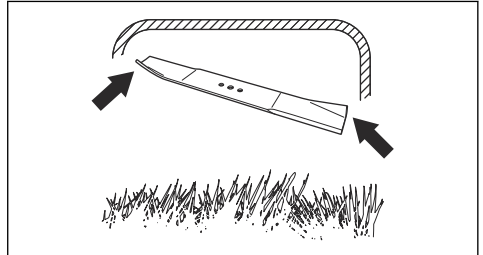
Remarque: Il est nécessaire d'équilibrer la lame après l'avoir affûtée. Demandez à un centre d'entretien d'affûter, de remplacer et d'équilibrer la lame. Si vous heurtez un obstacle qui entraîne l'arrêt du produit, remplacez la lame endommagée. Demandez au centre d'entretien d'évaluer si la lame peut être affûtée ou si elle doit être remplacée.

Pour retirer et remplacer la lame

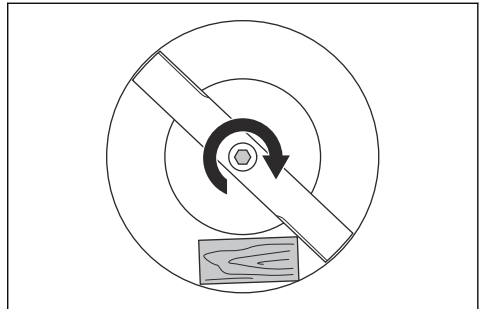
1. Bloquez la lame avec un bloc en bois.



2. Retirez le boulon de lame.
3. Retirez la lame.
4. Examinez le support de lame et le boulon de lame pour voir s'ils sont endommagés.
5. Examinez l'arbre du moteur pour vous assurer qu'il n'est pas tordu.
6. Lorsque vous fixez la nouvelle lame, orientez le tranchant en direction du capot de coupe.



7. Assurez-vous que la lame est alignée par rapport au centre de l'arbre du moteur.
8. Bloquez la lame avec un bloc en bois. Fixez la rondelle ressort, puis serrez le boulon et la rondelle à un couple de 23-28 Nm.



9. Déplacez la lame à la main et vérifiez qu'elle tourne librement.



AVERTISSEMENT: Utilisez des gants de travail épais. La lame est très

tranchante et des coupures peuvent survenir facilement.

10. Démarrez le produit pour tester la lame. Si la lame n'est pas correctement fixée, le produit vibre ou le résultat de coupe n'est pas satisfaisant.

Dépannage

Batterie

DEL sur la batterie	Défaillances possibles	Procédure possible
La DEL verte clignote	La tension de la batterie est faible	Rechargez la batterie. Consultez la section <i>Pour charger la batterie à la page 250.</i>
La DEL d'erreur clignote	La batterie est faible	Rechargez la batterie. Consultez la section <i>Batterie à la page 255.</i>
	La température de l'environnement de travail est trop élevée ou trop basse	Utilisez la batterie à une température comprise entre -10 °C et 40 °C.
	Surtension	Vérifiez que la tension secteur est identique à celle indiquée sur la plaque signalétique du produit. Dégagez la batterie du chargeur de batterie. Attendez 5 secondes et essayez à nouveau de charger la batterie. Si le problème persiste, contactez un agent d'entretien agréé.
La DEL d'erreur est allumée	Écart de tension entre cellules trop important (1 V)	Contactez un agent d'entretien agréé.

Chargeur de batterie

DEL sur le chargeur de batterie	Défaillances possibles	Procédure possible
La DEL d'erreur clignote	La température de l'environnement de travail est trop élevée ou trop basse	Utilisez le chargeur de batterie à une température comprise entre 5 °C et 40 °C.
La DEL d'erreur est allumée		Contactez un agent d'entretien agréé

Panneau de commande

Clavier	Code d'erreur (nombre de clignotements)	Défaillances possibles	Action possible
La DEL d'erreur clignote	3	Le moteur est en surcharge	Augmentez la hauteur de coupe. Reportez-vous à la section <i>Pour régler la hauteur de coupe à la page 249.</i>
	5	La vitesse du moteur chute trop et le moteur s'arrête	
	10	La commande du moteur est trop chaude	Arrêtez le moteur et attendez qu'il refroidisse
	2	La lame est bloquée	Pour éviter tout démarrage accidentel, tournez la clé de sécurité sur 0, retirez la batterie et attendez au moins 5 secondes. Assurez-vous que la lame tourne librement. Si le problème persiste, contactez un agent d'entretien agréé
	9	Erreur de batterie ou pas de signal de batterie	Placez la batterie dans le produit correctement et examinez le connecteur de batterie. Si la LED d'erreur clignote sur la batterie. Reportez-vous à la section <i>Batterie à la page 249.</i>
Le produit s'arrête	8	La batterie est faible	Rechargez la batterie. Reportez-vous à la section <i>Pour charger la batterie à la page 250.</i>
	0	Défaillance du connecteur de batterie	Examinez le connecteur de batterie
Autres erreurs	Si d'autres erreurs se produisent, tournez la clé de sécurité sur 0, retirez la batterie et adressez-vous à un agent spécialisé agréé.		

Transport, entreposage et mise au rebut

Introduction

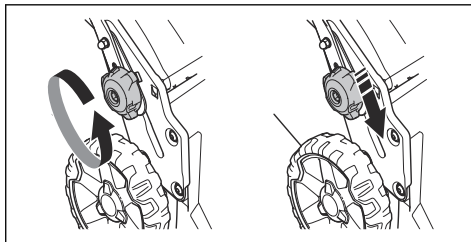


AVERTISSEMENT: Pour éviter tout démarrage accidentel lors du transport, tournez la clé de sécurité sur 0, retirez la batterie et attendez au moins 5 secondes.

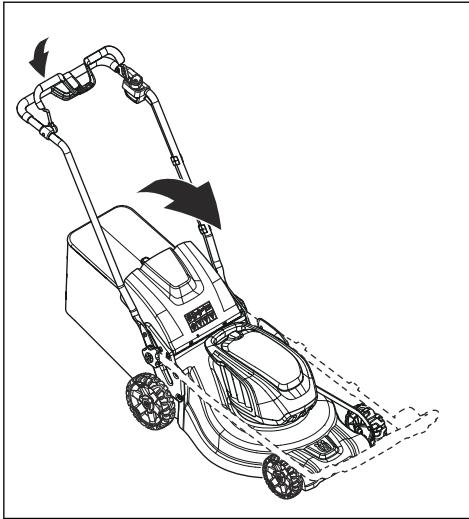
Pour régler le produit en position de transport

1. Desserrez les boutons inférieurs.

2. Faites glisser les boutons jusqu'aux extrémités inférieures des rainures sur le côté gauche et le côté droit de la machine.



3. Pliez la poignée vers l'avant.



4. Retirez le collecteur d'herbe.

Transport

- La législation sur les marchandises dangereuses s'applique aux batteries au lithium-ion fournies.
- Les exigences spécifiques au transport commercial indiquées sur l'emballage et les étiquettes doivent être respectées.
- Assurez-vous de toujours respecter la législation sur les matières dangereuses lorsque vous préparez le produit pour le transport. Des réglementations locales peuvent s'appliquer.
- Retirez toujours la batterie lorsque vous déplacez le produit.
- Posez du ruban adhésif sur les connecteurs de batterie et assurez-vous que la batterie ne puisse pas bouger pendant le transport.
- Sécurisez le produit pendant le transport.

Remisage

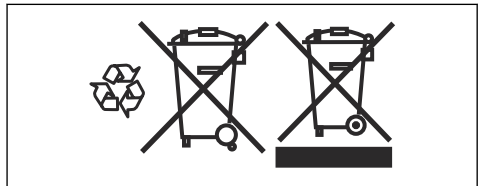
- Retirez toujours la batterie lorsque vous entreposez le produit.
- Pour éviter tout accident, assurez-vous que la batterie n'est pas reliée au produit au moment du remisage.

- Conservez le chargeur de batterie dans un endroit sec et fermé.
- Conservez la batterie et le chargeur de batterie dans un endroit sec, à l'abri de l'humidité et du gel.
- Débranchez la batterie du chargeur lors du remisage.
- Ne conservez pas la batterie dans un endroit présentant un risque d'électricité statique. Ne conservez pas la batterie dans une boîte métallique.
- Entreposez la batterie dans un endroit où la température est comprise entre 5 °C et 25 °C, à l'abri du soleil.
- Entreposez le chargeur de batterie dans un endroit où la température est comprise entre 5 °C et 45°C, à l'abri du soleil.
- Assurez-vous que la batterie est chargée entre 30 % et 50 % avant de la remiser pendant de longues périodes.
- Conservez le produit, la batterie et le chargeur de batterie dans un endroit verrouillé, hors de portée des enfants et des personnes non autorisées.
- Nettoyez le produit et effectuez un entretien complet avant de remiser le produit pendant de longues périodes.

Mise au rebut

Les symboles figurant sur le produit ou l'emballage indiquent que ce produit ne peut pas être traité comme un déchet domestique ordinaire. Il doit être déposé dans un site de recyclage prévu pour la récupération d'équipements électriques et électroniques.

En prenant soin correctement de ce produit, vous contribuez à compenser l'éventuel effet négatif sur l'environnement et les personnes, qui autrement pourrait être engendré par la mauvaise gestion de la mise au rebut du produit. Pour obtenir de plus amples informations sur le recyclage de ce produit, contactez votre municipalité, votre service des ordures ménagères ou le magasin où vous avez acheté ce produit.



Caractéristiques techniques

Caractéristiques techniques

	LC 247IX/LC 247I	LC 347IVX/LC 347IV	LC 353IVX/LC 353IV
Moteur de coupe			

	LC 247iX/LC 247i	LC 347iVX/LC 347iV	LC 353iVX/LC 353iV
Type de moteur	BLDC (sans balais) 36 V	BLDC (sans balais) 36 V	BLDC (sans balais) 36 V
Vitesse du moteur - SavE, tr/min	2 600	2 600	2 600
Vitesse du moteur - nominale, tr/min	3 000	3 000	3 000
Vitesse du moteur - charge élevée, tr/min	3 500	3 500	3 500
Sortie du moteur - max. kW	0,96	0,96	1,05
Sortie moteur - nominale, kW	0,75	0,75	0,9
Moteur d'entraînement			
Sortie moteur - nominale, kW	ND	0,25	0,25
Vitesse de marche, km/h	ND	3,0 - 4,5	3,0 - 4,5
Niveaux de réglage de la vitesse	ND	4	4
Poids			
Poids sans batterie, kg	24	26	28
Batterie			
Type de batterie	Gamme de produits à batterieHusqvarna	Gamme de produits à batterieHusqvarna	Gamme de produits à batterieHusqvarna
Durée de fonctionnement de la batterie			
Autonomie de la batterie, min, (fonctionnement libre) avec fonction SavE activée et une batterie Husqvarna de 5,2 Ah (Bli200).	43	43	32
Durée de fonctionnement de la batterie, min, (fonctionnement libre) avec mode standard activé et une batterie Husqvarna de 5,2 Ah (Bli200).	30	30	20
Émissions sonores ²⁸			
Niveau de puissance sonore mesuré dB(A)	94	94	97
Niveau de puissance acoustique, garanti L _{WA} dB(A)	95	95	98
Niveaux sonores ²⁹			
Niveau de pression sonore à l'oreille de l'utilisateur, dB (A)	82	82	86
Niveaux de vibrations ³⁰			
Poignée, m/s ²	0,42	0,42	2,64
Équipement de coupe			

²⁸ émissions sonores dans l'environnement mesurées comme puissance sonore (L_{WA}) selon la directive européenne CE 2000/14/CE.

²⁹ Les données reportées pour le niveau de pression sonore montrent une dispersion statistique typique (déviat-ion standard) de 1,2 dB(A).

³⁰ Les données reportées pour le niveau de vibrations montrent une dispersion statistique typique (déviat-ion standard) de 0,2 m/s². Norme sur les vibrations EN 60335-2-77:2017 chapitre 20.105

	LC 247iX/LC 247i	LC 347iVX/LC 347iV	LC 353iVX/LC 353iV
Hauteur de coupe, en mm	20-75 mm	20-75 mm	20-75 mm
Largeur de coupe, cm	47	47	53
Lame standard	Collecteur 5905934-10	Collecteur 5905934-10	Collecteur 5940757-10
Lame accessoire	Mulch 5907010-10	Mulch 5907010-10	Mulch 5950072-10
Capacité du collecteur d'herbe, en litres	55	55	60

Données de fréquence radio pour Bluetooth®	LC 247iX	LC 347iVX	LC 353iVX
Bande de fréquence, GHz	2,4-2,4835	2,4-2,4835	2,4-2,4835
Puissance de sortie, dBm max.	4	4	4

Batteries agréées	Type	Capacité de la batterie, Ah	Tension, V	Poids, lb/kg
BLi20	Lithium-ion	4,0	36	2,6/1,2
BLi30	Lithium-ion	7,7	36	4,2 /1,9
BLi200	Lithium-ion	5,2	36	2,8/1,3
BLi300	Lithium-ion	9,4	36	4,1/1,9

Chargeurs agréés pour les batteries spécifiées, BLi	Tension d'entrée, V	Fréquence, Hz	Puissance, W
QC80	100-240	50-60	80
QC80F	12	0	80
QC250	100-240	50-60	250
QC330	100-240	50-60	330
QC500	100-240	50-60	500

Déclaration de conformité CE

Déclaration de conformité CE

Nous, **Husqvarna AB**, SE-561 82 Huskvarna, Suède, tél. : +46-36-146500, déclarons que la **tondeuse Husqvarna LC 247I, LC 247IX, LC 347IV, LC 347IVX, LC 353iV, LC 353iVX** à partir de l'année 2018 et ultérieurement est conforme aux dispositions des DIRECTIVES DU CONSEIL :

- du 8 juin 2011 « relative à la limitation de l'utilisation de certaines substances dangereuses » **2011/65/UE**
- du 17 mai 2006 « relative aux machines » **2006/42/CE**
- du 8 mai 2000 « relative aux émissions sonores dans l'environnement » **2000/14/CE**

Pour toute information relative aux émissions sonores, veuillez consulter *Caractéristiques techniques à la page 257*.

Les normes suivantes ont été appliquées :

EN/IEC 60335-1, EN/IEC 60335-2-77, EN/IEC 62233, EN 55014-1, EN ETSI 301 489-7 v1.3.1, EN 61000-6,

ETSI EN 61000-6-1, EN 300 328 BT low energy Tx/Rx, EN 50581

Sauf mention contraire, les normes listées ci-dessus sont les dernières versions publiées.

L'organisme notifié : **0404, RISE SMP Svensk Maskinprovning AB, Box 7035, SE-750 07 Uppsala** a effectué une évaluation de conformité conformément à l'annexe VI de la directive 2000/14/CE.

Huskvarna, 2020-04-22



Claes Losdal, Directeur du développement/Articles de jardinage (Représentant autorisé d'Husqvarna AB et responsable de la documentation technique)

Marques déposées

La marque et les logos *Bluetooth®* sont des marques déposées appartenant à *Bluetooth SIG, inc.*, et toute utilisation de ces marques par Husqvarna est régie par une licence.

Sadržaj

Uvod.....	261	Rješavanje problema.....	279
Sigurnost.....	264	Prijevoz, spremanje i zbrinjavanje.....	281
Sastavljanje.....	272	Tehnički podaci.....	282
Rad.....	273	Izjava o sukladnosti EC.....	284
Održavanje.....	278	Registrirani zaštitni znakovi.....	284

Uvod

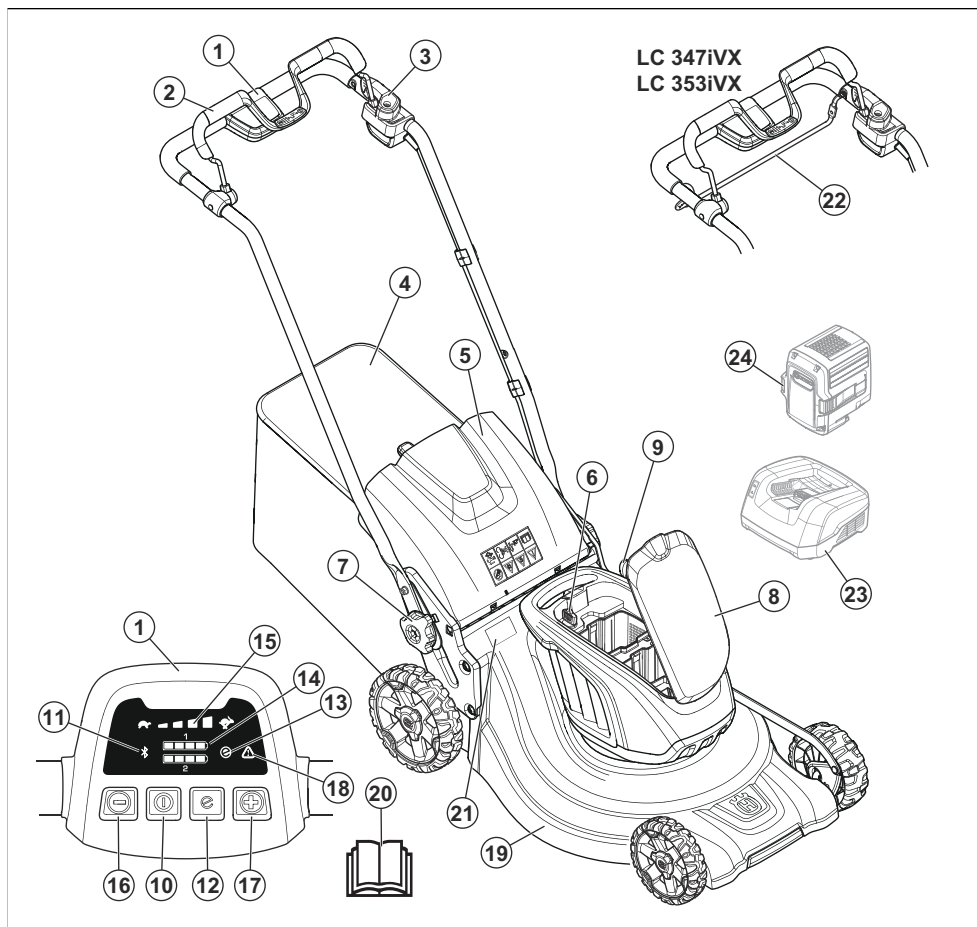
Opis proizvoda

Proizvod je rotacijska kosilica za travu kojom upravlja pješak. Trava se skuplja u sakupljaču trave. Uklonite sakupljač trave kako biste omogućili izbacivanje trave na stražnjoj strani. Postavite komplet za sječku (dodatna oprema) kako biste travu rezali u gnojivo.

Namjena

Proizvod upotrebljavajte za rezanje trave. Proizvod nemojte upotrebljavati za druge zadatke.

Pregled proizvoda



- | | |
|---|--|
| 1. Upravljačka ploča | 15. Indikator razine broja okretaja (LC 347iV, LC 347iVX, LC 353iV, LC 353iVX) |
| 2. Ručica kočnice motora | 16. Gumb za smanjenje brzine (LC 347iV, LC 347iVX, LC 353iV, LC 353iVX) |
| 3. Blokada pokretanja | 17. Gumb za povećanje brzine (LC 347iV, LC 347iVX, LC 353iV, LC 353iVX) |
| 4. Sakupljač trave | 18. LED indikator pogreške |
| 5. Stražnji poklopac | 19. Pokrov noža |
| 6. Sigurnosni ključ | 20. Korisnički priručnik |
| 7. Kotačić upravljača | 21. Natpisna pločica |
| 8. Poklopac baterije | 22. Poluga pogona (LC 347iV, LC 347iVX, LC 353iV, LC 353iVX) |
| 9. Kontrola visine rezanja | 23. Punjač baterije (dodatna oprema) |
| 10. Gumb za UKLJUČIVANJE/ISKLJUČIVANJE | 24. Baterija (dodatna oprema) |
| 11. Indikator bežične tehnologije <i>Bluetooth®</i> | |
| 12. Gumb savE | |
| 13. Indikator SavE | |
| 14. Indikator baterije | |

Simboli na proizvodu



UPOZORENJE! Budite oprezni i pravilno upotrebljavajte ovaj proizvod. Ovaj proizvod može izazvati teške ozljede ili smrt rukovatelja ili drugih osoba.



Pažljivo pročitajte korisnički priručnik i prije upotrebe dobro usvojite sadržaj.



Osobe i životinje držite na sigurnoj udaljenosti od radnog područja.



Pazite na izbačene predmete i odbijanja.



Upozorenje: Ruke i stopala držite podalje od rotirajućeg noža.



Upozorenje: Šake i stopala držite podalje od rotirajućih dijelova.



Prije izvođenja popravaka ili održavanja skinite sigurnosni ključ.



Nemojte izlagati kiši.



Proizvod ni njegova ambalaža ne spadaju u kućanski otpad. Reciklirajte ga u reciklažnoj stanici za električnu i elektroničku opremu.



Proizvod ispunjava mjerodavne direktive EC.



Proizvod ispunjava mjerodavne direktive Euroazijske carinske unije.



Proizvod ispunjava mjerodavne direktive UkrSEPRO.



Proizvod ispunjava mjerodavne direktive RCM. Odnosi se samo na AU / NZ



Emisije buke u okoliš u skladu s europskom Direktivom 2000/14/EZ i propisom za zaštitu od radova u okolišu (kontrola buke) Novog

Južnog Walesa iz 2017.
Podaci o emisiji buke
navedeni su na
naljepnici stroja i u
poglavljju Tehnički
podaci.

IPX1 Ovaj je proizvod
zaštićen od curenja.

Postupak pokretanja: pritisnite gumb
za uključivanje/isključivanje, otpustite
brzicu pokretanja, pritisnite ručicu
kočnice motora.



Za zaustavljanje
otпустите руčicu kočnice
motora.



Polako



Brzo



Kôd koji se može
skenirati

Napomena: Drugi simboli/
naljepnice na proizvodu odnose
se na zahtjeve za certifikaciju
na pojedinim tržištima.

Naljepnice na proizvodu



Šake i stopala držite podalje od
rotirajućih noževa.

Pouzdanost proizvoda

Sukladno zakonima o pouzdanosti proizvoda nismo
odgovorni za oštećenja uzrokovana našim proizvodima
ako je:

- proizvod nepravilno popravljen
- proizvod popravljen dijelovima koje nije proizveo
proizvođač ili nemaju odobrenje proizvođača
- proizvod ima dodatnu opremu koje nije proizveo
proizvođač ili nemaju odobrenje proizvođača
- proizvod nije popravljen u odobrenom servisnom
centru ili kod ovlaštene osobe.

Sigurnost

Sigurnosne definicije

Upozorenjima, oprezima i
napomenama naglašavaju se
posebno važni dijelovi
priručnika.



UPOZORENJE: Koristi
se kada nepoštivanje
uputa iz priručnika može
uzrokovati smrt ili ozljede
rukovatelja ili
promatrača.



OPREZ: Koristi se kada nepoštivanje uputa iz priručnika može uzrokovati oštećenje proizvoda ili drugih materijala u neposrednoj blizini.

Napomena: Koristi se prikaz neophodnih dodatnih informacija za zadanu situaciju.

Opće sigurnosne upute



UPOZORENJE: Prije korištenja proizvoda pročitajte upozoravajuće upute u nastavku.

- Proizvod je opasan ako ga koristite nepravilno ili ako niste oprezni. Nepoštivanje sigurnosnih uputa može uzrokovati ozljede ili smrt.
- Proizvod tijekom rada proizvodi elektromagnetsko polje. To polje u određenim okolnostima može ometati aktivne ili pasivne medicinske implantate. Za smanjenje opasnosti od smrtonosne ozljede osobama s medicinskim implantatima prije korištenja uređaja preporučujemo obraćanje liječniku i proizvođaču medicinskog implantata.
- Uvijek budite pažljivi i razumni. Ako u posebnim situacijama niste sigurni u način upotrebe stroja, prije nastavka stanite i obratite se svom distributeru tvrtke Husqvarna.
- Imajte na umu kako se rukovatelj smatra odgovornim za nezgode koje uključuju druge osobe ili njihovo vlasništvo.
- Proizvod održavajte čistim. Znakovi i naljepnice moraju biti jasno čitljivi.
- Djeci ili osobama koje nisu upoznate s ovim uputama ne dopuštajte da upotrebljavaju uređaj. Lokalni propisi mogu ograničavati starosnu dob operatora
- Osobu smanjenih fizičkih ili mentalnih sposobnosti obavezno nadzirite tijekom uporabe proizvoda. Cijelo vrijeme mora biti prisutna odgovorna odrasla osoba.
- Proizvod nemojte koristiti kada ste umorni, bolesni ili pod utjecajem alkohola, droge ili lijekova. To negativno utječe na vaš vid, pažnju, koordinaciju i prosudbu.
- Nemojte upotrebljavati neispravni proizvod.

- Nemojte izmjenjivati proizvod ili ga upotrebljavati ako postoji mogućnost da je izmijenjen.

Sigurnost na radnom mjestu



UPOZORENJE: Prije korištenja proizvoda pročitajte upozoravajuće upute u nastavku.

- Prije upotrebe proizvoda iz radnog područja uklonite sve predmete poput grana, prutova i kamenja.
- Objekti koji udare u rezu opremu mogu biti izbačeni te uzrokovati ozljede ili oštećenja. Promatrače i životinje držite na sigurnoj udaljenosti od proizvoda.
- Proizvod nikada nemojte upotrebljavati u lošim vremenskim uvjetima kao što su magla, kiša, jak vjetar, intenzivna hladnoća i pri opasnosti od grmljavinskog nevremena. Upotreba proizvoda po lošem vremenu ili na vlažnim odnosno mokrim lokacijama zamorna je. Pri lošem vremenu mogu nastati opasni uvjeti, primjerice skliske površine.
- Pazite na osobe, predmete i situacije koje mogu

onemogućiti siguran rad proizvoda.

- Pazite na prepreke kao što su korijenje, kamenje, prutovi, jame i jarci. Visoka trava može sakrivati prepreke.
- Košenje trave na nagibima može biti opasno. Nemojte kositi ekstremno strme padine. Proizvod nemojte upotrebljavati na tlu s nagibom većim od 15°.
- Prilikom promjene smjera kretanja na padinama budite izuzetno oprezni. Proizvod upotrebljavajte poprečno preko nagiba. Nemojte se kretati prema gore i dolje.
- Oprezno prilazite skrivenim kutovima i predmetima koji onemogućavaju jasan pregled.

Sigurnost pri radu



UPOZORENJE: Prije upotrebe proizvoda pročitajte upozoravajuće upute u nastavku.

- Proizvod upotrebljavajte samo za košenje travnjaka. Upotreba za druge zadatke nije dopuštena.
- Upotrebljavajte osobnu zaštitnu opremu. Pogledajte *Oprema za osobnu zaštitu na stranici 268.*

- Provjerite znate li brzo zaustaviti motor u slučaju nužde.
 - Proizvod nemojte pogoniti na kiši ili u mokrim uvjetima. Ako voda proдре u proizvod, povećava se opasnost od električnog udara.
 - Proizvod upotrebljavajte samo ako su nož i svi štitnici pravilno postavljeni. Nepravilno postavljen nož može se otpustiti i uzrokovati osobne ozljede.
 - Pazite da nožem ne udarate u predmete poput kamenja ili korijenja. Time možete oštetiti nož i saviti vratilo motora. Savijena osovina uzrokuje snažne vibracije i vrlo visoku opasnost od otpuštanja noža.
 - Ako nožem udarate u predmet ili osjetite vibracije, odmah zaustavite proizvod. Zaustavite motor, okrenite sigurnosni ključ na 0 i uklonite bateriju. Pregledajte je li proizvod oštećen. Popravite oštećenja ili popravak prepustite ovlaštenom serviseru.
 - Ručicu kočnice motora nikada trajno nemojte pričvrstiti za ručku kada je motor u pogonu.
 - Proizvod postavite na stabilnu, ravnu površinu i pokrenite ga.
- Noževi ne smiju udarati u tlo ili druge predmete.
- Tijekom rukovanja proizvodom obavezno budite iza njega.
 - Tijekom rukovanja proizvodom svi kotači trebaju biti na tlu, a obje ruke na ručki. Ruke i stopala držite podalje od rotirajućih noževa.
 - Proizvod nemojte naginjati kada je motor pokrenut.
 - Budite pažljivi pri povlačenju proizvoda unatrag.
 - Proizvod nikada nemojte podizati kada je motor pokrenut. Ako morate podići proizvod, prvo zaustavite motor, okrenite sigurnosni ključ na 0 i uklonite bateriju.
 - Tijekom rada s proizvodom nemojte hodati unatrag.
 - Zaustavite motor prilikom prelaska preko velikih površina bez trave, primjerice šljunčanih, kamenih i asfaltnih staza.
 - Nemojte trčati s proizvodom kada je motor pokrenut. Obavezno hodajte tijekom rada s proizvodom.
 - Prije promjene visine rezanja zaustavite motor. Nemojte provoditi prilagodbe s pokrenutim motorom.
 - Proizvod s pokrenutim motorom ne ispuštajte iz vida.

Zaustavite motor i provjerite je li rezna oprema zaustavljena.

Sigurnosne upute za rad

Oprema za osobnu zaštitu



UPOZORENJE: Prije upotrebe proizvoda pročitajte upozoravajuće upute u nastavku.

- Oprema za osobnu zaštitu ne može u potpunosti spriječiti ozljede, no smanjuje stupanj ozljede u slučaju nezgode. Pri odabiru odgovarajuće opreme zatražite pomoć ovlaštenog trgovca.
- Nosite čizme otporne na klizanje ili cipele za teške uvjete rada. Nemojte nositi otvorene cipele ili biti bos.
- Nosite teške, duge hlače.
- Prema potrebi nosite zaštitne rukavice, primjerice prilikom pričvršćivanja, pregleda ili čišćenja rezne opreme.

Sigurnosne upute za proizvod



UPOZORENJE: Prije uporabe proizvoda pročitajte upozoravajuće upute u nastavku.

- Nemojte koristiti proizvod s oštećenim zaštitnim uređajima.
- Redovito pregledavajte sigurnosne uređaje. Ako su sigurnosni uređaji neispravni, obratite se Husqvarna ovlaštenom trgovcu.

Provjera reznog poklopca

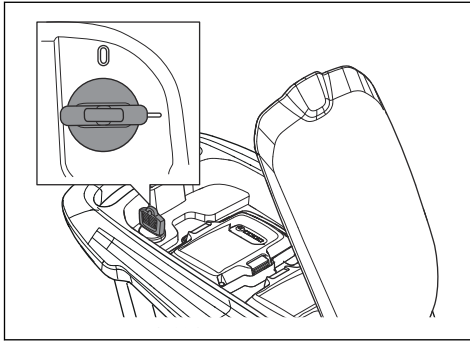
Rezni poklopac smanjuje vibriranje proizvoda te opasnost od ozljede nožem.

- Provjerite ima li na pokrovu noža oštećenja, primjerice napuklina.

Sigurnosni ključ

Sigurnosni ključ nalazi se ispod poklopca baterije. Sigurnosni ključ priključuje bateriju koja napaja motor.

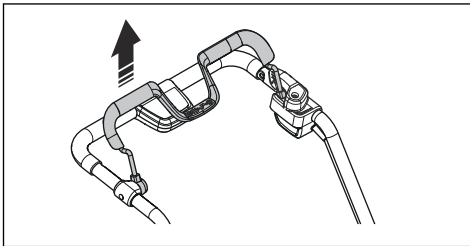
- Pokrenite i zaustavite motor kako biste provjerili sigurnosni ključ.
- Ako sigurnosni ključ ispravno funkcionira, motor se pokreće samo kad je sigurnosni ključ u položaju 1.



Ručica kočnice motora

Ručicom kočnice motora zaustavljate motor. Motor se zaustavlja po otpuštanju ručice kočnice motora.

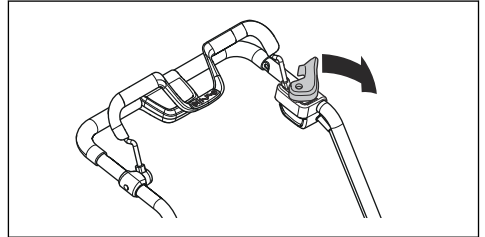
Za provjeru ručice kočnice motora pokrenite motor i potom otpustite ručicu kočnice motora. Ako se motor ne zaustavi za 3 sekunde, podesite kočnicu motora kod servisera tvrtke Husqvarna.



Pregled blokade pokretanja

Ispitajte blokadu pokretanja kako biste se uvjerali da sprječava pogon motora.

1. Ručicu kočnice motora gurnite prema upravljaču. Blokada pokretanja zaustavlja pomak.
2. Istisnite blokadu pokretanja.



3. Otpustite blokadu pokretanja i provjerite vraća li se u početni položaj.

Sigurnost baterije



UPOZORENJE: Prije upotrebe proizvoda pročitajte upozoravajuće upute u nastavku.

- Upotrebljavajte punjive baterije tvrtke Husqvarna samo za napajanje odgovarajućih proizvoda tvrtke Husqvarna. Bateriju nemojte upotrebljavati za napajanje drugih proizvoda jer postoji opasnost od ozljeda.
- Nemojte koristiti baterije koje nisu punjive.
- Opasnost od strujnog udara. Polove baterije nemojte spajati s ključevima, kovanicama, vijcima ili drugim metalom.

Tako može doći do kratkog spoja baterije.

- Nemojte umetati predmete u zračne utore baterije.
- Bateriju zaštitite od sunčeve svjetlosti, vrućine i otvorenog plamena. Baterija može eksplodirati i uzrokovati opekline i/ili kemijske opekline.
- Zaštitite bateriju od kiše i mokrih uvjeta.
- Zaštitite bateriju od mikrovalova i visokog tlaka.
- Bateriju nemojte rastavljati ili razbijati.
- Ako baterija počne propuštati, nemojte dopustiti da vam tekućina dospije na kožu ili u oči. Ako ste dodirnuli tekućinu, očistite to mjesto velikom količinom vode i zatražite medicinsku pomoć.
- Bateriju upotrebljavajte u rasponu temperatura od -10 °C i 40 °C.
- Bateriju ili punjač baterije nikada nemojte čistiti vodom. Pogledajte *Za čišćenje baterije i punjača baterija na stranici 278*.
- Nemojte upotrebljavati neispravnu ili oštećenu bateriju.
- Baterije skladištite dalje od metalnih predmeta poput čavala, kovanica i nakita.

Sigurnost punjača baterije



UPOZORENJE: Prije upotrebe proizvoda pročitajte upozoravajuće upute u nastavku.

- Punjače baterija QC upotrebljavajte samo za punjenje zamjenskih baterija tvrtke Husqvarna.
- Opasnost od strujnog udara ili kratkog spoja. Nemojte umetati predmete u zračne utore punjača. Nemojte rastavljati punjač baterije. Priključke baterije nemojte spajati metalnim predmetima. Upotrebljavajte odobrenu mrežnu utičnicu.
- Proizvod tijekom rada proizvodi elektromagnetsko polje. To polje u određenim okolnostima može ometati aktivne ili pasivne medicinske implantate. Za smanjenje opasnosti od uvjeta koji mogu uzrokovati ozljede ili smrt, osobama s medicinskim implantatima prije korištenja ovog uređaja preporučujemo obraćanje liječniku i proizvođaču medicinskog implantata.
- Redovno provjeravajte je li kabel za napajanje punjača

baterije neoštećen te je li ispucao.

- Punjač baterije nemojte podizati za električni kabel. Za odspajanje punjača baterije od zidne utičnice izvucite utikač. Nemojte povlačiti kabel za napajanje.
- Kabel za napajanje i produžne kabele držite podalje od vode, ulja i oštih rubova. Kabel nemojte prignječiti vratima, ogradama i sl. To može narinuti napon na punjač.
- Punjač baterije nemojte čistiti vodom.
- Punjač baterije mogu koristiti djeca od 8 godina i starija te osobe s umanjenim fizičkim, osjetilnim ili mentalnim sposobnostima ili nedostatkom iskustva i znanja ako je osiguran njihov nadzor ili ako su upućeni u sigurno korištenje uređaja te razumiju obuhvaćene opasnosti. Djeca se ne smiju igrati punjačem baterije. Čišćenje i održavanje ne smiju provoditi djeca bez nadzora.
- Punjačem baterije nije dopušteno puniti nepunjive baterije.
- Punjač baterije nemojte upotrebljavati u blizini zapaljivih materijala ili

materijala koji mogu uzrokovati koroziju. Nemojte pokrivati punjač baterije. Ako dođe do razvoja dima ili požara, odpojite utikač punjača baterije.

- Nemojte upotrebljavati neispravan ili oštećen punjač baterije.
- Bateriju puniti isključivo u dobro prozračenom zatvorenom prostoru bez izravne sunčeve svjetlosti. Bateriju nije dopušteno puniti u vlažnim uvjetima.

Sigurnosne upute za održavanje



UPOZORENJE: Prije korištenja proizvoda pročitajte upozoravajuće upute u nastavku.

- Kako biste spriječili nenamjerno pokretanje tijekom održavanja, okrenite sigurnosni ključ na 0 i uklonite bateriju. Pričekajte najmanje 5 sekundi prije početka održavanja.
- Pravilno provedite radove održavanja kako biste produljili vijek trajanja proizvoda i smanjili opasnost od nezgoda. Profesionalna održavanja prepustite odobrenom

serviseru. Za više informacija obratite se najbližem serviseru.

- Provodite samo održavanje opisano u ovom korisničkom priručniku. Opsežnije radove obavezno provodi ovlašteni serviser.
- Tijekom rada s reznom opremom nosite rukavice na teške uvjete rada. Nož je vrlo oštar i lako dolazi do posjekotina.
- Rezne rubove održavajte naoštenima i čistima kako biste osigurali najsigurnije radne značajke.
- Redovno pregledavajte proizvod i provodite potrebne

prilagodbe i popravke kod serviseru.

- Zamijenite oštećene, istrošene ili polomljene dijelove.
- Pridržavajte se uputa za zamjenu dodatne opreme. Upotrebljavajte isključivo dodatnu opremu proizvođača.
- Kada ih ne upotrebljavate, proizvod, bateriju i punjač baterije skladištite odvojeno u zatvorenom, suhom i zaključanom prostoru. Djeci i neovlaštenim osobama onemogućite pristup proizvodu, bateriji i punjaču.

Sastavljanje

Uvod



UPOZORENJE: Prije sastavljanja proizvoda pročitajte poglavlje o sigurnosti.

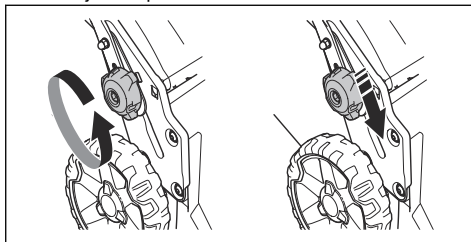


UPOZORENJE: Kako biste spriječili nenamjerno pokretanje pri sastavljanju okrenite sigurnosni ključ na 0, uklonite bateriju i pričekajte najmanje 5 sekundi.

Prilagodba ručke

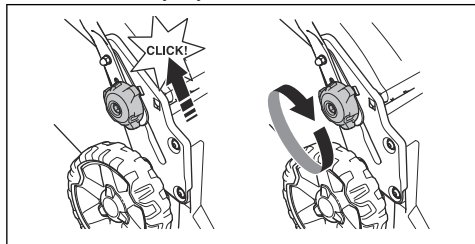
1. Otpustite donje vijke.

2. Pomaknite kotačiće u donji dio utora na lijevoj i desnoj strani proizvoda.



3. Postavite visinu ručke u jednu od dva dostupna položaja.

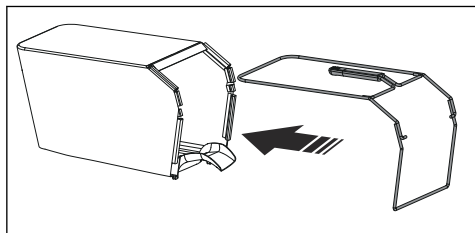
4. Pomičite kotačiće gore u smjeru ručke dok se ne zaustave uz škljocaj.



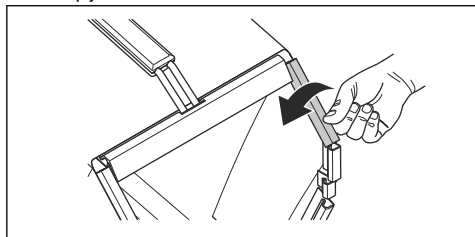
5. Kotačiće zategnite do kraja.

Montaža sakupljača trave

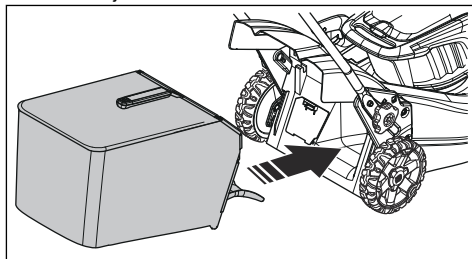
1. Okvir sakupljača trave pričvrstite za vreću za travu tako da kruti dio vreće bude na dnu. Ručka okvira treba biti na vrhu vreće za travu.



2. Donji dio okvira sakupljača trave pričvrstite u utor na dnu sakupljača trave.
3. Vreću za travu kopčama pričvrstite za okvir sakupljača trave.

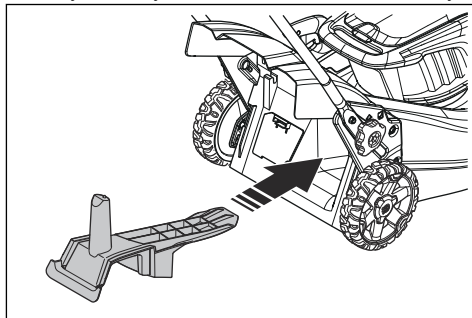


4. Podignite stražnji poklopac.
5. Pričvrstite hvatač trave za gornji rub šasije.
6. Donji dio sakupljača trave umetnite u kanal za izbacivanje trave.



Sastavljanje priključka za sječku (dodatna oprema)

1. Podignite stražnji poklopac i uklonite sakupljač trave.
2. Priključak za sječku umetnite u kanal za izbacivanje.



3. Zamijenite nož s nožem za sječku iz kompleta za sječku. Pogledajte *Uklanjanje i zamjena noža na stranici 279*.

Rad

Uvod



UPOZORENJE: Prije rada s proizvodom morate pročitati i usvojiti poglavlje o sigurnosti.

Husqvarna Connect

Husqvarna Connect besplatna je aplikacija za mobilni uređaj. Aplikacija Husqvarna Connect pruža vam dodatne funkcije za proizvod Husqvarna.

- Opširnije informacije o proizvodu.

- Dodatne informacije i pomoć za dijelove i servisiranje proizvoda.

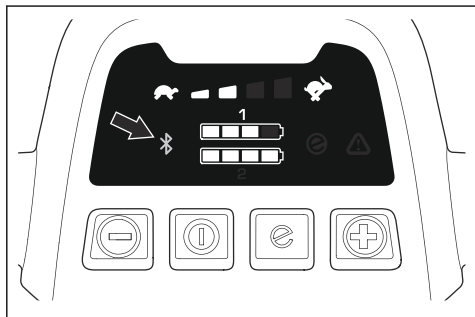
Početak rada sa Husqvarna Connect

1. Preuzmite aplikaciju Husqvarna Connect na svoj mobilni uređaj.
2. Prijavite se na aplikaciju Husqvarna Connect.
3. Pratite upute u aplikaciji Husqvarna Connect kako biste se spojili i registrirali proizvod.

Informacije za Bluetooth® (LC 247iX, LC 347iVX, LC 353iVX)

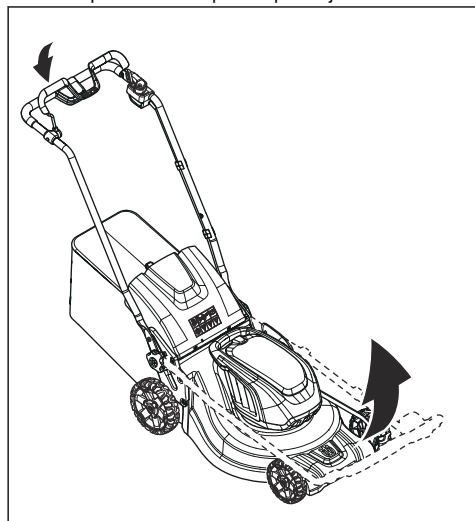
Bluetooth® bežična tehnologija

Simbol za Bluetooth® bežičnu tehnologiju pojavljuje se kada je vaš mobilni uređaj povezan s ovim proizvodom.

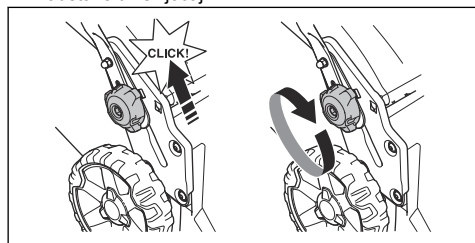


Postavljanje proizvoda u položaj za rad

1. Preklopite ručku u uspravan položaj.



2. Pomičite kotačiće gore u smjeru ručke dok se ne zaustave uz škljocaj.

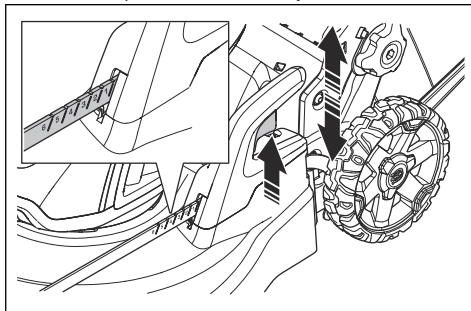


3. Kotačiće zategnite do kraja.

Postavljanje visine rezanja

Visina rezanja podesiva je na 6 razina.

1. Polugu za visinu rezanja pomaknite prema dolje kako biste smanjili visinu rezanja.
2. Polugu za visinu rezanja pomaknite prema gore kako biste povećali visinu rezanja.



OPREZ: Visinu rezanja nemojte postaviti prenisko. Noževi mogu udariti u tlo ako površina travnjaka nije ravna.

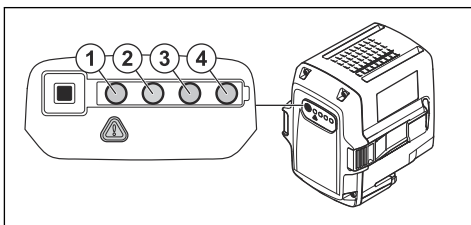
Baterija



UPOZORENJE: Prije upotrebe baterije morate pročitati i usvojiti poglavlje o sigurnosti. Također morate pročitati i usvojiti korisnički priručnik za bateriju i punjač baterije.

Status baterije

Na zaslonu se prikazuje preostali kapacitet baterije te postoje li problemi s baterijom. Kapacitet baterije prikazuje se na 5 sekundi nakon isključenja proizvoda ili pritiskanja gumba indikatora baterije. Kada dođe do pogreške uključuje se simbol upozorenja na bateriji. Pogledajte *Baterija na stranici 279*.



LED indikatori	Status baterije
Svi LED indikatori svijetle	Potpuno napunjena (75 – 100%)

LED indikatori	Status baterije
Svijetle indikatori LED 1, LED 2 i LED 3	Baterija je napunjena 50% – 75%
Svijetle indikatori LED 1 i LED 2	Baterija je napunjena 25% – 50%
Svijetli indikator LED 1	Baterija je napunjena 0% – 25%.
Indikator LED 1 treperi	Baterija je prazna. Napunite bateriju.

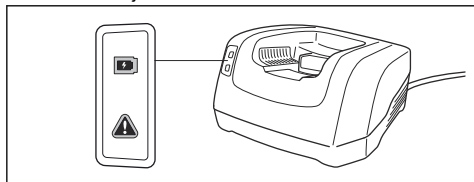
Zamjena baterije

Prije prve upotrebe napunite bateriju. Baterija je pri isporuci kupcu napunjena samo 30%.

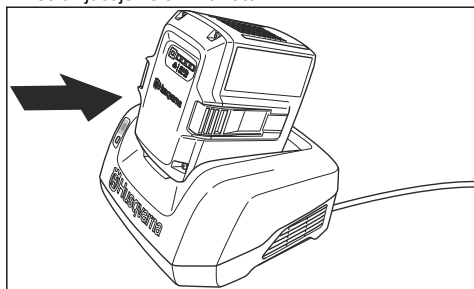
Napomena: Punjač baterije morate spojiti na napon i frekvenciju koji su navedeni na natpisnoj pločici.

Baterija se ne puni ako je temperatura baterije viša od 50 °C. Punjač baterije smanjuje temperaturu baterije prije početka punjenja.

1. Jedan kraj kabela za napajanje punjača baterije priključite na utičnicu na punjaču baterije.
2. Drugi kraj kabela za napajanje punjača baterije priključite na uzemljenu mrežnu utičnicu. LED indikator na punjaču baterije zatreperi jednom zelenom bojom.



3. Postavite bateriju u punjač baterije. Ako je baterija pravilno priključena na punjač baterije, na punjaču se uključuje zeleni indikator.



4. Kada na bateriji svijetle svi LED indikatori, baterija je potpuno napunjena. Bateriju punite najdulje 24 sata.
5. Za odspajanje punjača baterije od mrežne utičnice povucite priključak, ne kabel.

6. Izvadite bateriju iz punjača baterije.

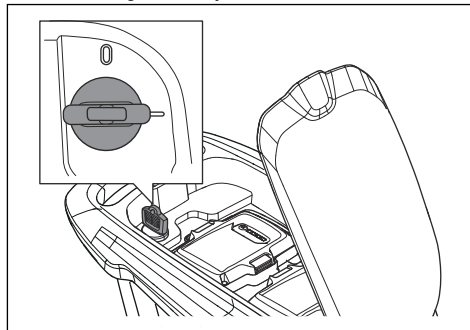
Status punjača baterije

Litij-ionsku bateriju tvrtke Husqvarna možete puniti ili upotrebljavati pri bilo kojoj razini napunjenosti. Baterija nije oštećena. Potpuno napunjena baterija neće se prazniti kada je ostavite u punjaču.

LED zaslón	Stanje punjenja
Indikator LED 1 treperi	0% – 25%
Svijetli indikator LED 1, indikator LED 2 treperi	25% – 50%
Svijetle indikatori LED 1, LED 2, indikator LED 3 treperi	50% – 75%
Svijetle indikatori LED 1, LED 2, LED 3, indikator LED 4 treperi	75% – 100%
Svijetle indikatori LED 1, LED 2, LED 3 i LED 4	Potpuno napunjena

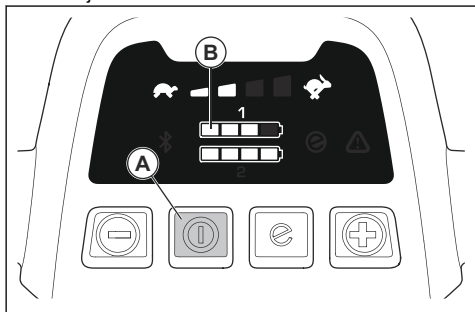
Pokretanje proizvoda

1. Otvorite poklopac baterije.
2. Napunjenu bateriju stavite u 1 od pretinaca za baterije. Za dulje vrijeme rada umetnite i drugu napunjenu bateriju u drugi pretinac za baterije.
3. Okrenite sigurnosni ključ na 1.

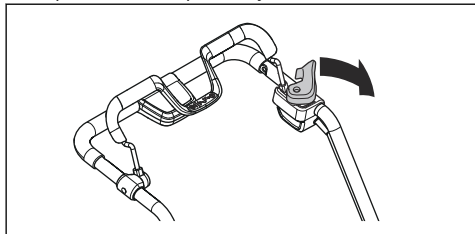


4. Stanite iza proizvoda.

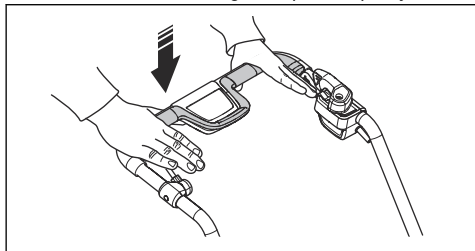
5. Pritisnite gumb ON/OFF (UKLJUČIVANJE / ISKLJUČIVANJE) (A) na upravljačkoj ploči. Uključuje se zaslon. Indikator baterije (B) pokazuje napunjenost 2 baterije. Broj umetnutih baterija prikazan je pokraj indikatora baterije. Za modele LC 347iV, LC 347iVX, LC 353iV, LC 353iVX na zaslonu se također prikazuje i postavljeni broj okretaja.



6. Otpustite blokadu pokretanja.

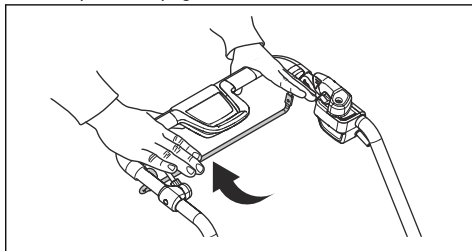


7. Ručicu kočnice motora gurnite prema upravljaču.

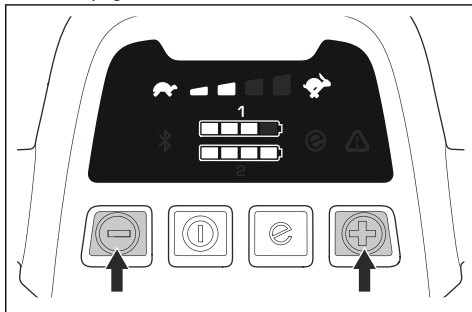


Upotreba pogona na kotačima LC 347iV, LC 347iVX, LC 353iV, LC 353iVX

- Povucite polugu pogona u smjeru upravljača kako biste pokrenuli pogon.



- Pritisnite + i - na upravljačkoj ploči za postavljanje brzine pogona u 4 koraka.

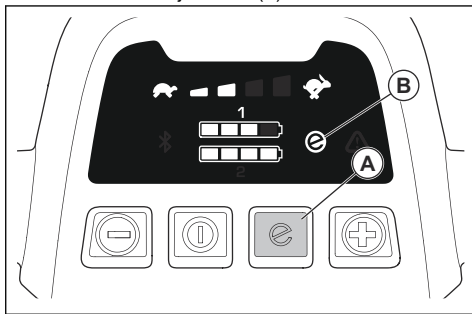


- Otpustite polugu pogona kako biste odspojili pogon, primjerice kada se približavate prepreci.

Upotreba funkcije

Proizvod ima funkciju za uštedu baterije () koja omogućuje dulje vrijeme rada.

1. Pritisnite gumb (A) kako biste pokrenuli funkciju. Na zaslonu se pojavljuje simbol (B).
2. Ponovno pritisnite gumb da biste zaustavili funkciju. Sa zaslona nestaje simbol (B).



Funkcija automatski se zaustavlja ako uvjeti na tlu zahtijevaju veću snagu. Funkcija automatski se ponovno uključuje kada to dopuste uvjeti na tlu.

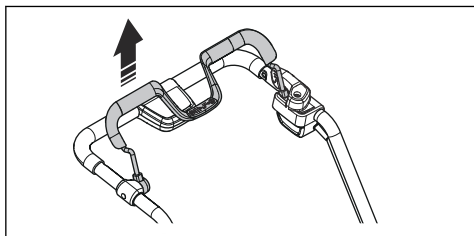
Funkcija za velika opterećenja

Kada proizvodom kosite vlažnu travu, motor automatski povećava broj o/min. Motor se vraća u standardni način rada kada više nije potrebna velika snaga.

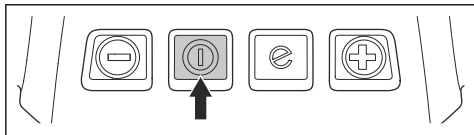
Zaustavljanje proizvoda

Proizvod se automatski zaustavlja ako ga ne upotrebljavate 10 minuta. Prije ostavljanja proizvoda bez nadzora obavezno okrenite sigurnosni ključ na 0.

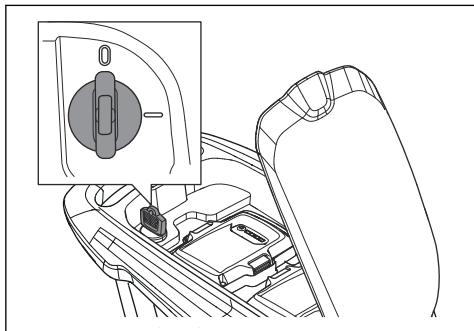
1. Otpustite ručicom kočnice motora kako biste zaustavili motor.



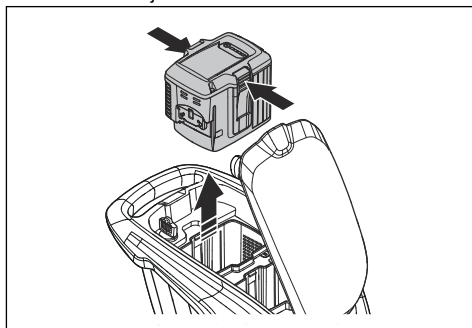
2. Pritisnite gumb ON/OFF (UKLJUČIVANJE / ISKLJUČIVANJE) na upravljačkoj ploči. Isključuju se svi LED indikatori i simboli na zaslону.



3. Otvorite poklopac baterije i okrenite sigurnosni ključ na 0.



4. Za vađenje baterije pritisnite 2 gumba za otpuštanje i izvadite bateriju.



5. Zamijenite slabu bateriju. Više informacija potražite pod *Zamjena baterije na stranici 275*.

Za dobar ishod

- Uvijek upotrebljavajte oštar nož. Tup nož daje nepravilne rezultate, a rezana površina trave požuti. Oštar nož također troši manje energije od tupog.
- Nemojte rezati više od $\frac{1}{3}$ od duljine trave. Prvo kosite s visoko postavljenom visinom za rezanje. Provjerite rezultat i spustite visinu rezanja na prihvatljivu razinu. Ako je trava vrlo dugačka, vozite polako i po potrebi kosite 2 puta.
- Svaki put kosite u drugom smjeru kako biste spriječili nastanak traka na travnjaku.

Košenje trave bez postavljenog sakupljača trave ili priključka za sječku

- Podignite stražnji poklopac i uklonite sakupljač trave.
- Ako su postavljeni priključak za sječku i nož za sječku, uklonite ih.
- Prije upotrebe proizvoda zatvorite stražnji poklopac.

Pri upotrebi proizvoda trava se izbacuje ispod stražnjeg poklopca.

Održavanje

Uvod



UPOZORENJE: Prije održavanja morate pročitati i usvojiti poglavlje o sigurnosti.

Za sve radove servisiranja i održavanja na proizvodu potrebna je posebna obuka. Jamčimo dostupnost profesionalnih popravaka i servisa. Ako vaš distributer

nije serviser, od njega zatražite informacije o najbližem serviseru.

Raspored održavanja

Intervali održavanja izračunati su za dnevnu upotrebu proizvoda. Intervali se mijenjaju ako se proizvod ne upotrebljava svakodnevno.

Za održavanja označena s * pogledajte upute u *Sigurnosne upute za rad na stranici 268.*

	Svake upotrebe	Mjesečno	Svake sezone
Provedite opći pregled	X		
Očistite proizvod	X		
Provjerite blokadu paljenja *	X		
Provjerite ispravnost sigurnosnih uređaja na proizvodu *	X		
Pregledajte rezu opremu	X		
Pregledajte pokrov noža *	X		
Provjerite ručicu kočnice motora *	X		
Provjerite ispravnost i neoštećenost gumba ON/OFF (uključeno/isključeno)	X		
Provjerite jesu li baterija oštećena	X		
Provjerite napunjenost baterije	X		
Provjerite ispravnost gumba za otpuštanje baterije i pričvršćivanje baterije u proizvod	X		
Provjerite je li punjač baterije oštećen i uvjerite se u njegovu ispravnost rada.		X	
Pregledajte spojeve između baterije i proizvoda. Također pregledajte spojeve između baterije i punjača baterije.			X

Za opći pregled

- Provjerite jesu li zategnute matice i vijci na proizvodu.
- Kabeli na proizvodu ne smiju biti u položaju u kojem se mogu oštetiti.

Za čišćenje proizvoda

- Plastične dijelove čistite čistom i suhom krpom.
- Proizvod nemojte čistiti vodom. Voda može prodrijeti u bateriju ili motor i uzrokovati kratki spoj ili oštetiti proizvod.
- Za čišćenje proizvoda nemojte koristiti visokotlačni stroj za pranje.
- Nemojte liti vodu izravno na motor.
- Četkom uklonite lišće, travu i onečišćenja.

Za čišćenje baterije i punjača baterija



OPREZ: Bateriju ili punjač baterije nikada nemojte čistiti vodom.

- Prije umetanja baterije u punjač baterije provjerite jesu li baterija i punjač baterije čisti i suhi.
- Očistite polove baterije komprimiranim zrakom ili upotrijebite mekanu i suhu krpu.
- Površine baterije i punjača baterije očistite mekanom i suhom krpom.

Za pregled rezne opreme



UPOZORENJE: Kako biste spriječili nenamjerno pokretanje sigurnosni ključ okrenite na 0, uklonite bateriju i pričekajte najmanje 5 sekundi.



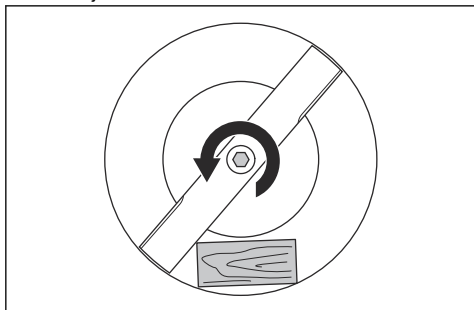
UPOZORENJE: Tijekom održavanja rezne opreme nosite zaštitne rukavice. Nož je vrlo oštar i lako dolazi do posjekotina.

1. Pregledajte ima li na reznoj opremi oštećenja ili pukotina. Oštećenu reznu opremu obavezno zamijenite.
2. Pregledajte nož kako biste ustanovili je li oštećen ili tup.

Napomena: Nakon oštrenja nož je nužno uravnotežiti. Nož naoštrite, zamijenite i uravnotežite u servisnom centru. Ako se pri udaru u prepreku proizvod zaustavi, zamijenite oštećeni nož. Procjenu za oštrenje ili zamjenu noža prepustite servisnom centru.

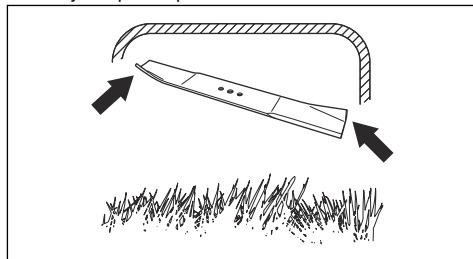
Uklanjanje i zamjena noža

1. Blokirate nož drvenim blokom.

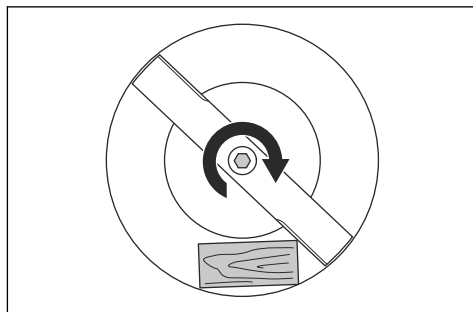


2. Uklonite vijak noža.
3. Uklonite nož.
4. Provjerite jesu li nosač noža i vijak noža neoštećeni.

5. Pregledajte vratilo motora kako biste se uvjerali da nije savijeno.
6. Zaobljene rubove novog noža pri postavljanju usmjerite prema pokrovu noža.



7. Nož mora biti poravnan sa središtem vratila motora.
8. Blokirate nož drvenim blokom. Postavite elastični rasječni prsten i zategnite vijak i podlošku na zatezni moment od 23 – 28 Nm.



9. Ručno povucite nož u krug kako biste provjerali okreće li se slobodno.



UPOZORENJE: Nosite rukavice za teške uvjete rada. Nož je vrlo oštar i lako dolazi do posjekotina.

10. Pokrenite proizvod kako biste ispitali nož. Ako nož nije ispravno pričvršćen, proizvod vibrira ili ishod košenja nije zadovoljavajući.

Rješavanje problema

Baterija

LED indikator na bateriji	Moguće pogreške	Mogući postupak
Treperi zeleni LED indikator	Napon baterije je nizak	Napunite bateriju. Pogledajte <i>Zamjena baterije na stranici 275</i> .

LED indikator na bateriji	Moguće pogreške	Mogući postupak
Treperi LED indikator za pogreške	Baterija je slaba	Napunite bateriju. Pogledajte <i>Baterija na stranici 279</i> .
	Temperatura radnog okoliša je previsoka ili preniska	Bateriju upotrebljavajte u rasponu temperatura od -10 °C i 40 °C.
	Prenapon	Provjerite je li napon mreže jednak naponu na natpisnoj pločici proizvođača. Izvadite bateriju iz punjača baterije. Pričekajte 5 sekundi i ponovno pokušajte napuniti bateriju. Ako se problem ponovno pojavi, obratite se ovlaštenom serviseru.
LED indikator za pogreške je uključen	Prevelika razlika ćelija (1 V)	Obratite se ovlaštenom serviseru.

Punjač baterije

LED indikator na punjaču baterije	Moguće pogreške	Mogući postupak
Treperi LED indikator za pogreške	Temperatura radnog okoliša je previsoka ili preniska	Punjač baterije upotrebljavajte u rasponu temperature između 5 °C i 40 °C.
LED indikator za pogreške je uključen		Obratite se ovlaštenom serviseru

Upravljačka ploča

Tipkovnica	Kod pogreške (broj treperenja)	Moguće pogreške	Moguće rješenje
Treperenje LED indikatora za pogreške	3	Motor je preopterećen	Povećajte visinu rezanja. Pogledajte <i>Postavljanje visine rezanja na stranici 274</i> .
	5	Prevelik pad brzine motora i zaustavljanje motora	
	10	Upravljanje motorom je pregrijano	Zaustavite motor i pričekajte da se ohladi
	2	Nož je blokiran	Kako biste spriječili nenamjerno pokretanje sigurnosni ključ okrenite na 0, uklonite bateriju i pričekajte najmanje 5 sekundi. Provjerite okreću li se noževi neometano. Ako se problem ponovno pojavi, obratite se ovlaštenom serviseru
	9	Pogreška baterije ili nema signala baterije	Pravilno umetnite bateriju u proizvod i pregledajte priključak baterije. Ako trepti LED indikator za pogrešku. Pogledajte <i>Baterija na stranici 274</i> .
Proizvod se zaustavlja	8	Baterija je slaba	Napunite bateriju. Pogledajte <i>Zamjena baterije na stranici 275</i> .
	0	Kvar priključka baterije	Pregledajte priključak baterije
Ostale pogreške	Ako dođe od pogreške, sigurnosni ključ okrenite na 0, izvadite bateriju i razgovarajte s agentom ovlaštenog servisa.		

Prijevoz, spremanje i zbrinjavanje

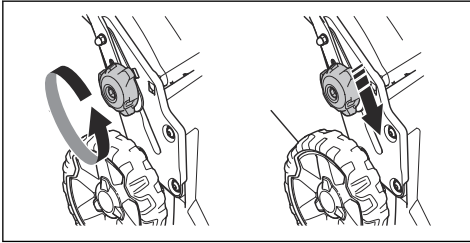
Uvod



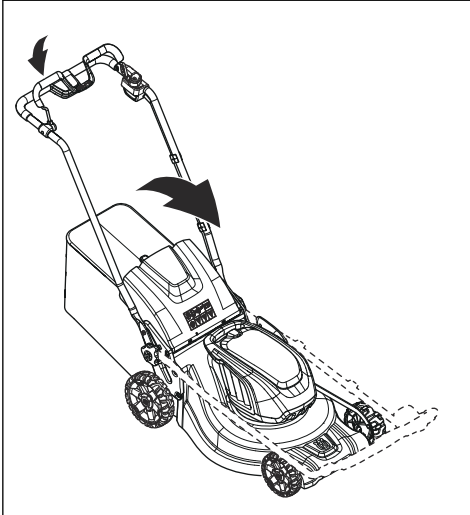
UPOZORENJE: Kako biste spriječili nenamjerno pokretanje pri transportu okrenite sigurnosni ključ na 0, uklonite bateriju i pričekajte najmanje 5 sekundi.

Postavljanje proizvoda u položaj za prijevoz

1. Otpustite donje vijke.
2. Pomaknite kotačiće u donji dio utora na lijevoj i desnoj strani proizvoda.



3. Preklopite ručku prema naprijed.



4. Uklonite sakupljač trave.

Prijevoz

- Na sadržane litij-ionske baterije primjenjuju se zahtjevi zakona o opasnim tvarima.
- Za komercijalne transporte morate poštivati posebne zahtjeve za pakiranje i oznake.

- Provjerite poštivanje propisa za opasne materijale tijekom pripreme proizvoda za transport. Primjenjuju se lokalni propisi.
- Prije prijevoza obavezno izvadite bateriju.
- Preljepite priključke baterije trakom i onemogućite pomicanje baterije tijekom transporta.
- Pričvrstite proizvod tijekom transporta.

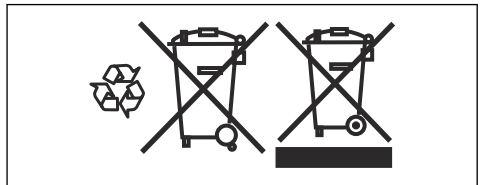
Skладиštenje

- Prije skladištenja obavezno izvadite bateriju.
- Kako biste spriječili nezgode, bateriju tijekom skladištenja nemojte ostaviti priključenu na proizvod.
- Punjač baterije spremite u zatvoren, suh prostor.
- Bateriju i punjač baterije spremite u suh prostor u koji ne može prodrijeti vlaga ili mraz.
- Bateriju za skladištenje uklonite s punjača baterije.
- Bateriju nemojte skladištiti u prostoru u kojem može nastati statički elektricitet. Bateriju nemojte čuvati u metalnoj kutiji.
- Bateriju spremite u prostor temperature između 5 °C i 25 °C, bez izlaganja izravnoj sunčevoj svjetlosti.
- Punjač baterije spremite u prostor temperature između 5 °C i 45 °C, bez izlaganja izravnoj sunčevoj svjetlosti.
- Prije dugotrajnog skladištenja obavezno napunite bateriju na 30% do 50%.
- Proizvod, bateriju i punjač baterije skladištite u zaključanom prostoru izvan dosega djece i neodobrenih osoba.
- Prije dugotrajnog skladištenja očistite proizvod i provedite cjeloviti servis.

Odlaganje

Oznake na proizvodu ili ambalaži proizvoda znače da se proizvod ne smije odlagati zajedno s komunalnim otpadom. Umjesto toga, potrebno ga je odnijeti u propisani reciklažni centar za prihvata električne i elektroničke opreme.

Ispravnim rukovanjem proizvodom pomažete u ublažavanju negativnih učinaka po okoliš i osobe do kojih može doći u slučaju pogrešnog upravljanja otpadnim tvarima ovog proizvoda. Pojednosti o recikliranju proizvoda zatražite od lokalnih tijela uprave, komunalne službe ili u prodavaonici u kojoj ste kupili proizvod.



Tehnički podaci

Tehnički podaci

	LC 247iX/LC 247i	LC 347iVX/LC 347iV	LC 353iVX/LC 353iV
Rezni motor			
Vrsta motora	BLDC (beskontaktni) 36 V	BLDC (beskontaktni) 36 V	BLDC (beskontaktni) 36 V
Broj okretaja motora – SavE, o/min	2600	2600	2600
Broj okretaja motora – nazivni, o/min	3000	3000	3000
Broj okretaja motora – veliko opterećenje, o/min	3500	3500	3500
Snaga motora – maks. kW	0,96	0,96	1,05
Snaga motora – nazivna, kW	0,75	0,75	0,9
Pogonski motor			
Snaga motora – nazivna, kW	N/D	0,25	0,25
Brzina samostalnog hoda, km/h	N/D	3,0 – 4,5	3,0 – 4,5
Razine prilagodbe brzine	N/D	4	4
Težina			
Težina bez baterije, kg	24	26	28
Baterija			
Vrsta baterije	Serije baterije Husq- varna	Serije baterije Husq- varna	Serije baterije Husq- varna
Trajanje baterije			
Trajanje baterije, min, (slobodni pogon) s uključenom funkcijom SavE, s jednom baterijom tvrtke Husqvarna od 5,2 Ah (Bli200).	43	43	32
Trajanje baterije, min, (slobodni pogon) s uključenom standardnim načinom rada, s jednom baterijom tvrtke Husqvarna od 5,2 Ah (Bli200).	30	30	20
Emisije buke ³¹			
Razina jačine zvuka, mjerena u dB (A)	94	94	97
Razina jačine zvuka, zajamčena L _{WA} dB (A)	95	95	98
Razine buke ³²			
Razine tlaka zvuka na uhu rukovatelja, dB (A)	82	82	86

³¹ Emisije buke u okoliš izmjerene kao jakost zvuka (L_{WA}) u skladu s EZ direktivom 2000/14/EZ.

³² Navedeni podaci za razinu pritiska zvuka uključuju tipično statističko raspršenje (standardno odstupanje) od 1,2 dB (A).

	LC 247IX/LC 247I	LC 347IVX/LC 347IV	LC 353IVX/LC 353IV
Razine vibracije ³³			
Ručka, m/s ²	0,42	0,42	2,64
Oprema za rezanje			
Visina rezanja, mm	20 – 75 mm	20 – 75 mm	20 – 75 mm
Širina rezanja, cm	47	47	53
Standardni nož	Skupljanje, 5905934-10	Skupljanje, 5905934-10	Skupljanje, 5940757-10
Dodatna oprema za nož	Malčiranje 5907010-10	Malčiranje 5907010-10	Malčiranje 5950072-10
Zapremnina sakupljača trave, litri	55	55	60

Podaci o radijskoj frekvenciji za Bluetooth®	LC 247IX	LC 347IVX	LC 353IVX
Frekvencijski pojas, GHz	2,4 – 2,4835	2,4 – 2,4835	2,4 – 2,4835
Izlazna snaga, maks. dBm	4	4	4

Odobrene baterije	Vrsta	Kapacitet baterije, Ah	Napon, V	Težina, lb/kg
BLi20	Litij-ion	4,0	36	2,6/1,2
BLi30	Litij-ion	7,7	36	4,2/1,9
BLi200	Litij-ion	5,2	36	2,8/1,3
BLi300	Litij-ion	9,4	36	4,1/1,9

Odobreni punjači za navedene baterije, BLi	Ulazni napon, V	Frekvencija, Hz	Snaga, W
QC80	100 – 240	50 – 60	80
QC80F	12	0	80
QC250	100 – 240	50 – 60	250
QC330	100 – 240	50 – 60	330
QC500	100 – 240	50 – 60	500

³³ Podaci o razini vibracije pokazuju tipičnu statističku disperziju (standardnu devijaciju) od 0,2 m/s². Standard za vibracije EN 60335-2-77:2017, poglavlje 20.105

Izjava o sukladnosti EC

EZ izjava o sukladnosti

Husqvarna AB, SE-561 82 Huskvarna, Švedska, tel:
+46-36-146500, izjavljuje kako **kosilica Husqvarna**
LC 247i, LC 247iX, LC 347iV, LC 347iVX, LC 353iV,
LC 353iVX iz godine 2018 i novije udovoljava zahtjevima
DIREKTIVE VIJEĆA:

- od 8. lipnja 2011. o "ograničenju uporabe određenih opasnih tvari" **2011/65/EU**
- od 17. svibnja 2006. „o strojevima“ **2006/42/EZ**
- od 8. svibnja 2000. "koja se odnosi na emisije buke u okoliš" **2000/14/EC**

Informacije o emisiji buke potražite pod *Tehnički podaci na stranici 282.*

Primijenjeni su sljedeći standardi:

EN/IEC 60335-1, EN/IEC 60335-2-77, EN/IEC 62233,
EN 55014-1, EN ETSI 301 489-7 v1.3.1, EN 61000-6,
ETSI EN 61000-6-1, EN 300 328 BT low energy Tx/Rx,
EN 50581

Osim ako nije navedeno drugačije, prethodno navedene norme zadnje su objavljene verzije.

Prijavljeno tijelo: **0404, RISE SMP Svensk**
Maskinprovning AB, Box 7035, SE-750 07 Uppsala

provelo je procjenu sukladnosti prema prilogu VI
Direktive 2000/14/EC.

Huskvarna, 2020-04-22



Claes Losdal, razvojni menadžer/vrtni proizvođač
(ovlašteni predstavnik tvrtke Husqvarna AB i nositelj
odgovornosti za tehničku dokumentaciju)

Registrirani zaštitni znakovi

Natpis i logotipi *Bluetooth®* registrirani su zaštitni znakovi u vlasništvu tvrtke *Bluetooth SIG, inc.* i tvrtka Husqvarna za svaku upotrebu tih znakova posjeduje licenciju.

TARTALOMJEGYZÉK

Bevezető.....	285	Hibaelhárítás.....	305
Biztonság.....	289	Szállítás, tárolás és ártalmatlanítás.....	306
Összeszerelés.....	297	Műszaki adatok.....	307
Üzemeltetés.....	298	EK megfelelőségi nyilatkozat.....	310
Karbantartás.....	303	Bejegyzett védjegyek.....	310

Bevezető

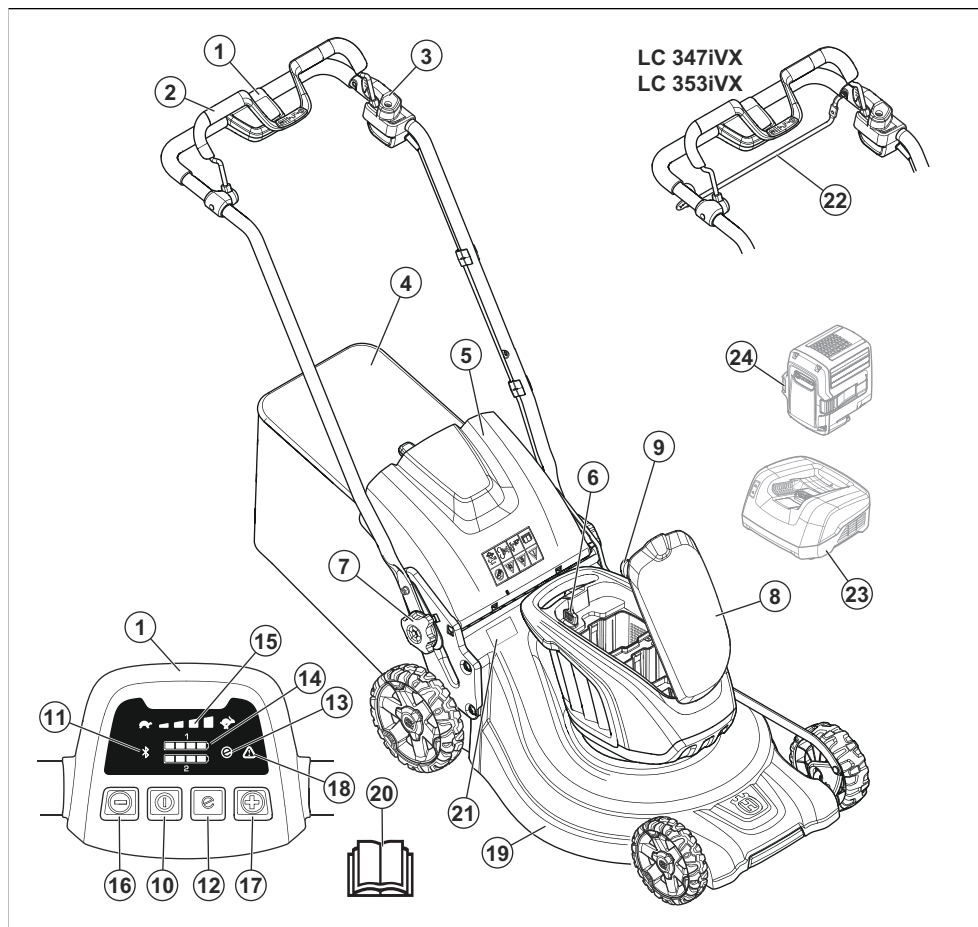
Termékleírás

A termék egy gyalog kísért forgóképes fűnyíró. A fű egy fűgyűjtőben kerül gyűjtésre. Vegye ki a fűgyűjtőt a fű hátsó ürítéséhez. Csatlakoztasson egy porhanyító készletet (tartozék) a fű műtrágyázásra való vágásához.

Rendeltetésszerű használat

A termék fűnyírásra szolgál. Ne használja a terméket egyéb feladatokra.

A termék áttekintése



- | | |
|---|--|
| 1. Vezérlőpanel | 15. Sebesség kijelző (LC 347iV, LC 347iVX, LC 353iV, LC 353iVX) |
| 2. Motorfékfogantyú | 16. Sebesség csökkentése gomb (LC 347iV, LC 347iVX, LC 353iV, LC 353iVX) |
| 3. Indításgátló | 17. Sebesség növelése gomb (LC 347iV, LC 347iVX, LC 353iV, LC 353iVX) |
| 4. Fűgyűjtő | 18. Hibajelző LED |
| 5. Hátsó burkolat | 19. Vágóburkolat |
| 6. Biztonsági kulcs | 20. Kezelői kézikönyv |
| 7. Gombfogantyú | 21. Adattábla |
| 8. Akkumulátorfedél | 22. Kerékajátás kapcsoló kar (LC 347iV, LC 347iVX, LC 353iV, LC 353iVX) |
| 9. Vágásimágasság-szabályozó | 23. Akkumulátortöltő (tartozék) |
| 10. BE-/KI kapcsoló gomb | 24. Akkumulátor (tartozék) |
| 11. A <i>Bluetooth</i> [®] vezeték nélküli technológia jelzőikonja | |
| 12. SavE gomb | |
| 13. SavE jelző | |
| 14. Akkumulátorjelző | |

A termék szimbólumai



FIGYELMEZTETÉS!
Körültekintően járjon el, és megfelelően használja a terméket. A gép a kezelő és mások súlyos sérülését és halálát okozhatja.



Olvassa el figyelmesen a használati utasítást, és győződjön meg arról, hogy megértette azt, mielőtt a terméket használatba veszi.



A személyeket és állatokat tartsa biztonságos távolságban a munkaterülettől.



Legyen óvatos a kivetett és visszapattanó tárgyakkal.



Figyelmeztetés: Tartsa távol kezét és lábát a forgó késektől.



Figyelmeztetés: Tartsa távol kezét és lábát a forgó alkatrészekről.



Karbantartás vagy javítás előtt vegye ki az eltávolítható biztonsági kulcsot.



Óvja a terméket az esőtől.



A termék és a termék csomagolása nem minősül háztartási hulladéknak. Újrahasznosítását egy elektromos és elektronikus berendezések újrahasznosítására szolgáló ponton kell elvégezni.



Ez a termék megfelel az Európai Unió vonatkozó előírásainak.



Ez a termék megfelel az Eurázsiai Gazdasági Unió vonatkozó előírásainak.



Ez a termék megfelel a vonatkozó UkrSEPRO előírásoknak.



Lassú



Ez a termék megfelel a vonatkozó RCM előírásoknak. Csak Ausztráliára/Új-Zélandra vonatkozik



Gyors



Beolvasható kód



A 2000/14/EK számú európai irányelvnek és New South Wales „Környezetben történő munkavégzés (zajszabályozás) szabályozása, 2017” irányelvének megfelelő környezeti zajszennyezés. A zajszennyezésre vonatkozó adatok a gép címkéjén és a Műszaki adatok című fejezetben található.

Megjegyzés: A terméken szereplő többi jel/címke egyes piacok specifikus vizsgáztatási követelményeire vonatkozik.

Jelzés a terméken



Tartsa távol kezét és lábát a forgó késektől.

IPX1 A termék cseppálló.

Indítási eljárás: nyomja meg az ON/OFF gombot, lazítsa meg az indítógályt, nyomja lefelé a motorfékgagytyút.



A leállításhoz engedje el a motorfékgagytyút.

Termékszavatosság

A termékszavatosságra vonatkozó jogszabályok értelmében nem vagyunk felelősek a termékeink által okozott károkért az alábbi esetekben:

- a termék javítását helytelenül végezték;
- a termék javítása nem a gyártótól származó vagy általa jóváhagyott alkatrészekkel történt;
- a terméket nem a gyártótól származó vagy általa jóváhagyott kiegészítővel szerelték fel;
- a termék javítását nem hivatalos szakszerviz vagy jóváhagyott egyéb szerviz végezte.

Biztonsági meghatározások

A figyelmeztetések, óvintézkedések és megjegyzések a használati utasítás kiemelten fontos részeire hívják fel a figyelmet.



FIGYELMEZTETÉS:

Akkor használatos, ha a kézikönyv utasításainak be nem tartása esetén fennáll a kezelő vagy a közelben tartózkodók sérülésének vagy halálának veszélye.



VIGYÁZAT:

Akkor használatos, ha a kézikönyv utasításainak be nem tartása esetén fennáll a vagyoni kár, illetve a termék vagy a környező terület károsodásának veszélye.

Megjegyzés: További információt biztosít az adott helyzetben szükséges tennivalókról.

Általános biztonsági utasítások



FIGYELMEZTETÉS: A termék használata előtt olvassa el az alábbi figyelmeztetéseket.

- Ez a termék veszélyes, ha helytelenül használja, vagy ha nem vigyáz. A biztonsági utasítások be nem tartása sérüléssel vagy halállal járhat.
- A termék működés közben elektromágneses mezőt hoz létre. Ez bizonyos körülmények esetén hatással lehet az aktív vagy passzív orvosi implantátumokra. A súlyos vagy halálos sérülés kockázatának csökkentése érdekében azt javasoljuk, hogy az orvosi implantátumot használó személyek a termék alkalmazása előtt kérjék ki orvosuk vagy az orvosi implantátum gyártójának tanácsát.
- Mindig megfontoltan és előrelátóan cselekedjen. Ha nem biztos benne, hogyan kell a terméket speciális helyzetben üzemeltetni, akkor hagyja abba a tevékenységet, és beszéljen a Husqvarna

kereskedőjével a folytatás előtt.

- Ne feledje, hogy a kezelő felelős a másokat és a mások tulajdonát érő balesetekért is.
- Tartsa tisztán a terméket. Ügyeljen arra, hogy a jelek és címkék jól olvashatóak legyenek.
- Soha ne engedje, hogy gyermekek vagy a kezelési utasításokat nem ismerő személyek használják a készüléket. A helyi rendelkezések adott esetben kezelési korhatárt szabhatnak meg
- Csökkent fizikai vagy szellemi képességekkel rendelkező személy csak felügyelet mellett használhatja a terméket. Egy felelős felnőttnek mindig jelen kell lennie.
- Ne használja a terméket, ha fáradt, beteg, illetve alkohol, drog vagy gyógyszer hatása alatt áll. Ez negatív hatással van a látására, az éberségére, a koordinációjára és az ítélőképességére.
- Ne használja a terméket, ha hibás.
- Ne változtassa meg a terméket, vagy ne használja, ha feltehetőleg valaki más

változtatásokat hajtott végre rajta.

A munkaterület biztonsága



FIGYELMEZTETÉS: A termék használata előtt olvassa el az alábbi figyelmeztetéseket.

- A termék használata előtt távolítsa el a különböző tárgyakat, például ágakat, gallyakat és köveket a munkaterületről.
- A vágószerkezetnek ütköző tárgyak elrepülve személyek vagy tárgyak sérülését okozhatják. A közelben állókat és az állatokat tartsa biztonságos távolságban a terméktől.
- Ne használja a terméket rossz időben, például ködben, esőben, erős szélben, nagy hidegben, villámlás veszélyes esetén. A termék rossz időjárási körülmények között vagy nyirkos, nedves helyeken történő használata fárasztó. A rossz időjárás veszélyes körülményeket, például csúszós felületeket okozhat.
- Ügyeljen az olyan személyekre, tárgyakra és helyzetekre, amelyek

- akadályozzák a termék biztonságos üzemeltetését.
- Ügyeljen az olyan akadályokra, mint a gyökerek, kövek, gallyak, gödrök és árkok. A magas fű akadályokat rejthet.
 - A lejtőkön levő fű nyírása veszélyes lehet. Meredek lejtőkön/emelkedőkön ne nyírjon fűvet. Ne használja a terméket 15 foknál meredekebb lejtőn.
 - Lejtős terepen rendkívül óvatosan váltson irányt. Az emelkedőknél/lejtőknel mindig oldalirányban működtesse a terméket. Ne haladjon felfelé vagy lefelé.
 - Legyen körültekintő, ha olyan sarkok és tárgyak közelébe ér, amelyek gátolják a tiszta kilátást.

Munkabiztonság



FIGYELMEZTETÉS: A termék használata előtt olvassa el az alábbi figyelmeztetéseket.

- Használjon személyi védőfelszerelést. Lásd: *Személyi védőfelszerelés* 292. oldalon.
- Mindenképpen legyen tisztában azzal, hogy vészhelyzet esetén hogyan kell gyorsan leállítani a motort.
- Ne működtesse a terméket esős vagy nedves körülmények között. A termékbe jutó víz növeli az áramütés kockázatát.
- Ne használja a készüléket, hacsak a kés és az összes borítás nincs megfelelően rögzítve. A nem megfelelően rögzített kés kilazulhat, és személyi sérülést okozhat.
- Ügyeljen arra, hogy a kés ne ütközzön olyan tárgyakba, mint például kövek és gyökerek. Ez kárt tehet a késben, és meghajlíthatja a motor tengelyét. A meghajlott tengely erős rezgést okoz, és így nagyon nagy a kockázata annak, hogy a kés meglazul.
- Ha a kés valamilyen tárgynak ütközik vagy rezegni kezd, azonnal állítsa le a terméket. Állítsa le a motort, fordítsa a biztonsági kulcsot „0” állásba, és vegye ki az akkumulátort. Ellenőrizze, hogy a termék sérülésmentes-e. Javítsa meg

a sérüléseket, vagy végeztesse el a szakszervizzel a javításokat.

- Amikor a motor működésben van, soha ne rögzítse tartósan a motorfékfogantyút a fogantyúhoz.
- Helyezze a terméket stabil, vízszintes felületre, és kapcsolja be. Gondoskodjon arról, hogy a kés ne ütközzön se a talajba, se egyéb tárgyakra.
- Mindig maradjon a termék mögött, amikor működteti.
- A termék üzemeltetése során minden kerék legyen a talajon, és tartsa két kézzel a fogantyút. Tartsa távol kezét és lábát a forgó késektől.
- Ne döntse meg a terméket, ha a motor jár.
- Legyen óvatos, amikor hátrafelé húzza a terméket.
- Soha ne emelje fel a terméket, ha a motor jár. Ha mindenképpen fel kell emelnie a terméket, először állítsa le a motort, a biztonsági kulcsot fordítsa „0” állásba, és vegye ki az akkumulátort.
- Ne sétáljon hátrafelé a termék működtetése során.
- Állítsa le a motort, ha olyan területeken halad át, ahol nincs fű, például kavicsos,

kövezett és aszfaltozott járdákon.

- Ne fusson a termékkel, ha a motor jár. Mindig sétáljon a termék működtetése során.
- Mielőtt megváltoztatná a vágási magasságot, állítsa le a motort. Soha ne végezzen beállításokat, amikor a motor jár.
- Soha ne hagyja a terméket felügyelet nélkül járó motor esetén. Állítsa le a motort és győződjön meg arról, hogy a vágószerkezet nem forog.

Biztonsági utasítások az üzemeltetéshez

Személyi védőfelszerelés



FIGYELMEZTETÉS: A termék használata előtt olvassa el az alábbi figyelmeztetéseket.

- A személyi védőfelszerelés nem küszöböli ki teljes mértékben a sérülés kockázatát, de csökkenti a sérülés mértékét, ha bekövetkezik a baleset. A megfelelő felszerelés kiválasztásában kérje a kereskedő segítségét.
- Használjon nagy teherbírású, csúszásmentes bakancsot vagy cipőt. Ne használja

nyitott cipőben vagy mezítláb a terméket.

- Viseljen vastag, hosszú szárú nadrágot.
- Viseljen védőkesztyűt, például a vágószerkezet felhelyezésekor, ellenőrzésekor vagy tisztításakor.

Biztonsági eszközök a terméken



FIGYELMEZTETÉS: A termék használata előtt olvassa el az alábbi figyelmeztetéseket.

- Ne használjon olyan terméket, amelynek hibásak a biztonsági eszközei.
- Rendszeresen ellenőrizze a biztonsági eszközöket. A biztonsági eszközök meghibásodása esetén vegye fel a kapcsolatot a Husqvarna szervizműhellyel.

A vágóburkolat ellenőrzése

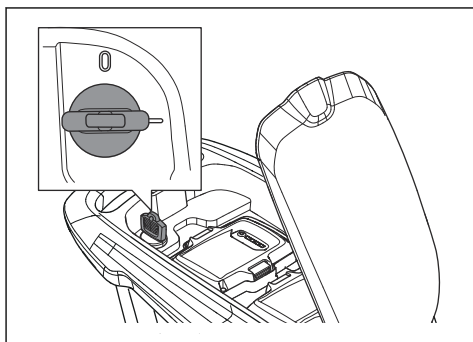
A vágóburkolat csökkenti a termék rezgését és a kés okozta sérülések kockázatát.

- Vizsgálja meg a vágóburkolatot, hogy nincs rajta sérülés, például repedés.

Biztonsági kulcs

A biztonsági kulcs az akkumulátorfedél alatt helyezkedik el. A biztonsági kulcs csatlakoztatja a motort ellátó akkumulátort.

- A biztonsági kulcs ellenőrzéséhez indítsa be, majd állítsa le a motort.
- Ha a biztonsági kulcs megfelelően működik, a motor csak akkor indítható be, ha a biztonsági kulcs az „1” állásba van fordítva.



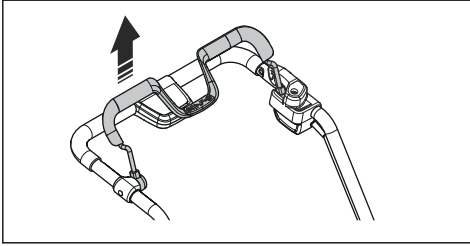
Motorfékfogantyú

A motorfékfogantyú a motor leállítására szolgál. Ha elengedi a motorfékfogantyút, a motor leáll.

A motorfék ellenőrzéséhez indítsa el a motort, majd engedje el a motorfékfogantyút. Ha a motor 3 másodpercen belül nem áll le, állíttassa be

egy hivatalos Husqvarna szakszervizben a motorfékét.

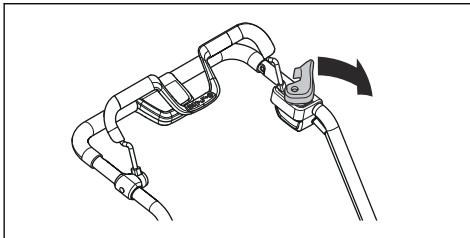
olvassa el az alábbi figyelmeztetéseket.



Az indításgátló ellenőrzése

Bizonyosodjon meg arról, hogy az indításgátló megakadályozza a motor elindulását.

1. Nyomja a motorfékfogantyút a fogantyú irányába. Az indításgátló megakadályozza a mozgást.
2. Nyomja kifelé az indításgátlót.



3. Engedje ki az indításgátlót, és győződjön meg arról, hogy az visszatér alaphelyzetbe.

Az akkumulátorral kapcsolatos biztonsági előírások



FIGYELMEZTETÉS: A termék használata előtt

- A Husqvarna tölthető akkumulátorokat csak a kompatibilis Husqvarna termékek tápellátására használja. Ne használja az akkumulátort más eszközök áramforrásaként, mivel ez balesetveszélyes.
- Ne használjon nem újratölthető akkumulátorokat.
- Elektromos áramütés veszélye. Ne csatlakoztassa az akkumulátorsarukat kulcsokhoz, érmékhez, csavarokhoz vagy egyéb fémhez. Ez az akkumulátor rövidzárlatát okozhatja.
- Ne tegyen tárgyakat az akkumulátor szellőzőnyílásaiba.
- Tartsa távol az akkumulátort a közvetlen napsütéstől, hőtől és nyílt lángtól. Az akkumulátor felrobbanhat, és súlyos égési, illetve vegyi égési sérüléseket okozhat.
- Tartsa az akkumulátort esős, nedves környezettől távol.
- Tartsa az akkumulátort mikrohullámoktól és magas nyomástól távol.

- Soha ne próbálkozzon az akkumulátor szétszerelésével vagy széttörésével.
 - Ha az akkumulátor szivárog, ne hagyja, hogy a folyadék bőrre vagy szembe kerüljön. Ha a folyadékhoz ért, nagy mennyiségű vízzel tisztítsa meg az adott testfelületet, és forduljon orvoshoz.
 - Az akkumulátort -10 °C és 40 °C közötti hőmérsékleten használja.
 - Soha ne tisztítsa vízzel az akkumulátort vagy az akkumulátortöltőt. Lásd: *Az akkumulátor és az akkumulátortöltő tisztítása* 304. oldalon.
 - Ne használjon meghibásodott vagy sérült akkumulátort.
 - A tárolás során tartsa az akkumulátorokat távol a fém tárgyaktól, például szegektől, érméktől, ékszerektől.
- csereakkumulátorok töltésére használja.
- Áramütés vagy rövidzárlat veszélye. Ne tegyen tárgyakat a töltő szellőzőnyílásaiba. Ne próbálkozzon az akkumulátortöltő szétszerelésével. Ne érintsen a töltő csatlakozóihoz fémtárgyat. Használjon jóváhagyott hálózati aljzatot.
 - A termék működés közben elektromágneses mezőt hoz létre. Ez bizonyos körülmények esetén hatással lehet az aktív vagy passzív orvosi implantátumokra. A súlyos vagy halálos sérülés kockázatának csökkentése érdekében azt javasoljuk, hogy az orvosi implantátumot használó személyek a termék alkalmazása előtt kérjék ki orvosuk vagy az orvosi implantátum gyártójának tanácsát.
 - Rendszeresen ellenőrizze, hogy az akkumulátortöltő tápkábele nem sérült-e, és hogy nincs rajta repedés.
 - Ne emelje fel az akkumulátortöltőt a tápkábelnél fogva. Az akkumulátortöltő fali aljzattól történő kihúzásához a dugaszt húzza. Ne a hálózati tápkábelt húzza.

Az akkumulátortöltő készülék biztonsága



FIGYELMEZTETÉS: A termék használata előtt olvassa el az alábbi figyelmeztetéseket.

- A QC akkumulátortöltőket csak a Husqvarna

- Tartsa távol a hálózati tápkábelt és a hosszabbítókábelt a víztől, az olajtól és az éles élektől. Ügyeljen rá, hogy a kábel ne csipődjön be ajtóba, korlátba vagy hasonló tárgyba. Ilyen esetben a töltő feszültség alá kerülhet.
- Soha ne tisztítsa vízzel az akkumulátortöltőt.
- Az akkumulátortöltőt 8 éven felüli gyermekek, illetve csökkent fizikai, érzékelési vagy szellemi képességekkel rendelkező, vagy az akkumulátortöltő működtetésében járatlan személyek is használhatják, amennyiben ezt felügyelet mellett teszik, illetve ismerik a készülék biztonságos működtetésének módját és az azzal járó veszélyeket. Gyermekek nem játszhatnak az akkumulátortöltővel. Gyermekek csak felügyelet mellett végezhetnek tisztítást és karbantartást.
- Ne töltsön nem újratölthető akkumulátorokat a töltővel.
- Ne használja az akkumulátortöltőt gyúlékony anyagok vagy olyan anyagok közelében, amelyek korróziót okozhatnak. Ne takarja le a töltőkészüléket. Amennyiben a

töltő füstölni vagy égni kezdene, húzza ki a dugóját.

- Ne használjon meghibásodott vagy sérült akkumulátortöltőt.
- Az akkumulátort csak jó szellőzésű helyiségben, napfénytől távol töltsen. Ne töltsen az akkumulátort nedves körülmények között.

Biztonsági utasítások a karbantartáshoz



FIGYELMEZTETÉS: A termék használata előtt olvassa el az alábbi figyelmeztetéseket.

- A véletlen beindítás elkerülése érdekében karbantartáskor fordítsa a biztonsági kulcsot „0” állásba, és távolítsa el az akkumulátort. A karbantartás megkezdése előtt várjon legalább 5 másodpercet.
- A termék élettartamának növelése és a balesetveszély elkerülése érdekében végezze el szakszerűen a karbantartási műveleteket. Bízva hivatalos szervizműhelyre a professzionális javítást. Bővebb információért forduljon a legközelebbi szakszervizhez.
- Csak a felhasználói kézikönyvben megadott

karbantartást végezze el. Komolyabb beavatkozásokat csak hivatalos szakszerviz végezhet.

- A vágószerkezet használata során viseljen strapabíró védőkesztyűt. A kés nagyon éles, könnyen megvághatja magát.
- A legjobb és legbiztonságosabb teljesítmény érdekében tartsa a vágóéleket élesen és tisztán.
- Rendszeresen ellenőriztesse a gépet a szakszervizzel, és végeztesse el a szükséges beállításokat és javításokat.
- A sérült, kopott vagy törött alkatrészt cserélje ki.

- Kövesse a tartozékcserére vonatkozó utasításokat. Kizárólag a gyártótól származó tartozékokat használja.
- Ha nincs használatban, tartsa a terméket, az akkumulátort és az akkumulátortöltőt elkülönítve egy száraz, beltéri és zárt területen. Gondoskodjon róla, hogy gyermekek és felhatalmazással nem bíró személyek ne férhessenek hozzá a termékhez, az akkumulátorhoz és az akkumulátortöltőhöz.

Összeszerelés

Bevezető



FIGYELMEZTETÉS: A termék összeszerelése előtt olvassa el a biztonságra vonatkozó fejezetet.

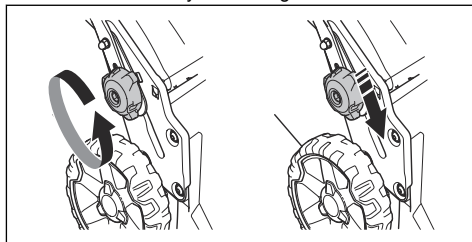


FIGYELMEZTETÉS: A véletlen beindítás elkerülése érdekében az összeszereléskor fordítsa a biztonsági kulcsot „0” állásba, vegye ki az akkumulátort, és várjon legalább 5 másodpercet.

A fogantyú beállítása

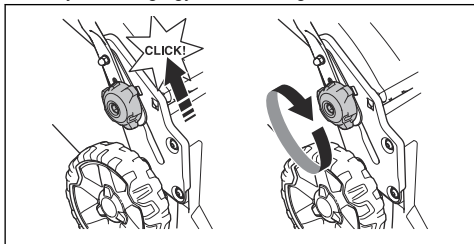
1. Lazítsa meg az alsó csavarokat.

2. A gombokat a termék bal és jobb oldalán is csúsztassa a hornyok alsó végébe.



3. Állítsa a fogantyú magasságát a két lehetséges pozíció egyikébe.

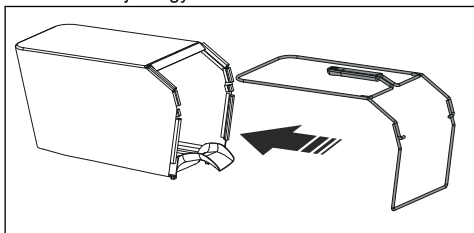
4. A gombokat ütközésig csúsztassa a fogantyú irányába, amíg egy kattánót nem hall.



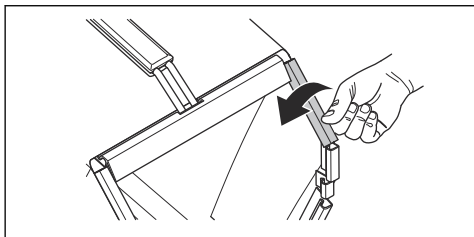
5. Teljesen húzza meg a gombokat.

A fűgűjtő doboz felszerelése

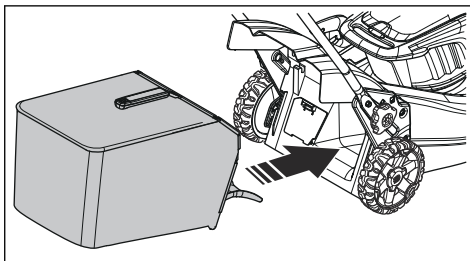
1. Rögzítse a fűgűjtő keretét a fűzsákban úgy, hogy a fűzsák merev része alul legyen. A keret fogantyúja a fűzsák tetején legyen.



2. Illessze a fűgűjtő keret alsó részét a fűgűjtő alján lévő vágatba.
3. A kapsokkal rögzítse a fűzsákat a fűgűjtő keretéhez.

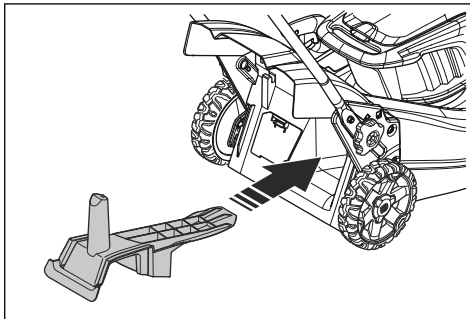


4. Emelje fel a hátsó burkolatot.
5. Csatlakoztassa a fűgűjtőt a vázszekrény felső széléhez.
6. Helyezze a fűgűjtő alsó részét a fűkidobó csatornába.



A mulcsozó dugó (tartozék) összeszerelése

1. Emelje fel a hátsó burkolatot, és vegye ki a fűgűjtőt.
2. Helyezze a mulcsozó dugót a fűkidobó csatornába.



3. Cserélje ki a kés a mulcsozókészlethez mellékelt mulcsozókéssre. Lásd az *A kés eltávolítása és cseréje* 304. oldalon fejezetet.

Üzemeltetés

Bevezető



FIGYELMEZTETÉS: A termék működtetése előtt el kell olvasnia és meg kell értenie a biztonságról szóló fejezetet.

Husqvarna Connect

A Husqvarna Connect egy ingyenes mobilalkalmazás. A Husqvarna Connect alkalmazás kibővített funkciókat biztosít Husqvarna termékéhez:

- Bővebb termékinformációk.

- Információk és segítség a termékkalkatrészekkel és a szervizeléssel kapcsolatban.

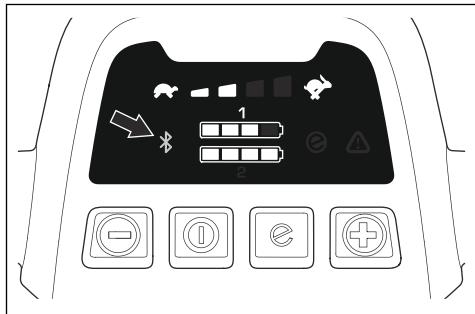
A Husqvarna Connect használatának megkezdése

1. Töltse le a Husqvarna Connect alkalmazást mobilkészletére.
2. Regisztráljon egy fiókot a Husqvarna Connect alkalmazásban.
3. A termék csatlakoztatásához és regisztrálásához kövesse a Husqvarna Connect alkalmazásban megjelenő utasításokat.

Bluetooth® információ (LC 247iX, LC 347iVX, LC 353iVX)

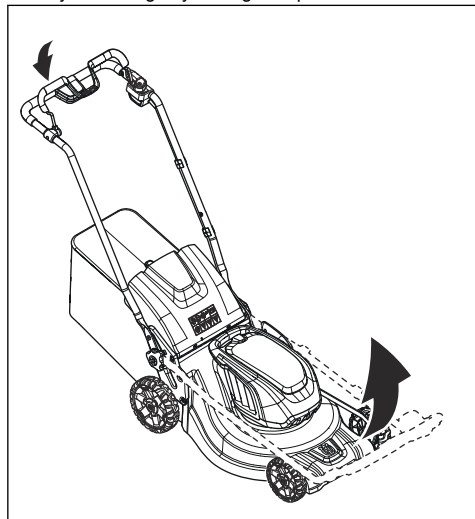
Bluetooth® vezeték nélküli technológia

A Bluetooth® vezeték nélküli technológia szimbóluma akkor világít, amikor a mobilkészülék csatlakoztatva van a termékhez.

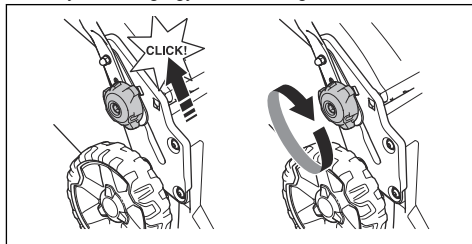


A termék működési pozícióba állítása

1. Hajtsa ki a fogantyút a legfelső pozícióba.



2. A gombokat ütközésig csúsztassa a fogantyú irányába, amíg egy kattanó hangot nem hall.

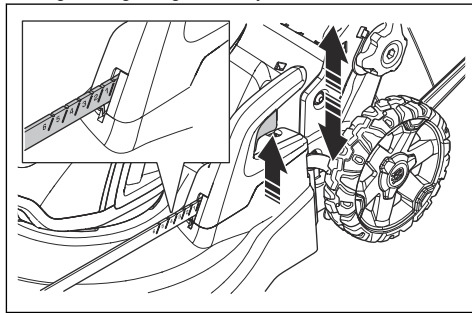


3. Teljesen húzza meg a gombokat.

A vágási magasság beállítása

A vágási magasság 6 különböző szintre állítható.

1. A vágási magasság csökkentéséhez mozgassa lefelé a vágási magasságot szabályozó kart.
2. A vágási magasság növeléséhez mozgassa felfelé a vágási magasságot szabályozó kart.



VIGYÁZAT: Ne állítsa túl alacsonyra a vágási magasságot. A kések a talajba ütközhetnek, ha a pázsit felülete nem egyenletes.

Akkumulátor

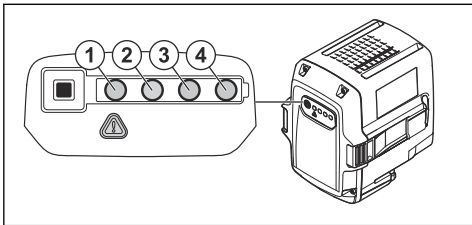


FIGYELMEZTETÉS: Az akkumulátor használata előtt el kell olvasnia és meg kell értenie a biztonságról szóló fejezetet. Olvassa el figyelmesen az akkumulátorhoz és az akkumulátortöltőhöz mellékelte használati útmutatót is.

Akkumulátorállapot

A kijelző jelzi az akkumulátor töltöttségét, valamint azt, hogy van-e valami probléma az akkumulátorral. Az akkumulátortöltöttség jelzése 5 másodpercig látható a termék kikapcsolása, illetve az akkumulátorjelző gomb megnyomása után. Hiba esetén az akkumulátor

figyelmeztető lámpája világít. Lásd: *Akkumulátor305. oldal.*



LED lámpák	Akkumulátorállapot
Minden LED világít	Teljes töltöttség (75–100%)
Az 1., 2. és 3. LED világít	Az akkumulátor töltöttsége 50–75%-os
Az 1. és 2. LED világít	Az akkumulátor töltöttsége 25–50%-os
Az 1. LED világít	Az akkumulátor töltöttsége 0–25%-os
Az 1. LED villog.	Az akkumulátor lemerült. Tölts fel az akkumulátort.

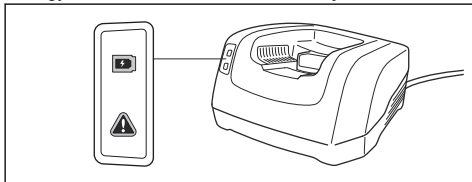
Az akkumulátor töltése

Az első használat előtt tölts fel az akkumulátort. Az akkumulátor gyárilag csak 30%-ra van feltöltve.

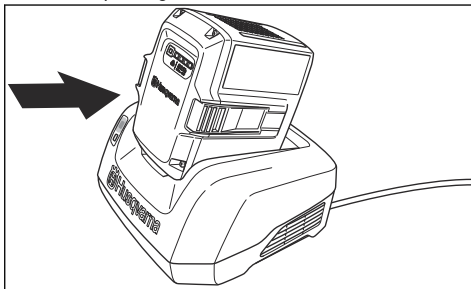
Megjegyzés: Az akkumulátortöltőt a típus táblán szereplő feszültségű és frekvenciájú áramforráshoz kell csatlakoztatni.

Ha az akkumulátor hőmérséklete 50 °C felett van, a töltés nem indul el. Az akkumulátortöltő csökkenti az akkumulátor hőmérsékletét, mielőtt megkezdené annak töltését.

1. Csatlakoztassa az akkumulátortöltőhöz való tápkábel egyik végét az akkumulátortöltő aljzatához.
2. Csatlakoztassa az akkumulátortöltőhöz való tápkábel másik végét egy földelt hálózati aljzathoz. Egyszer zölden felvillan a töltő LED-je.



3. Helyezze az akkumulátort a töltőbe. Az akkumulátor és a töltő közötti helyes érintkezésről a töltőn lévő zöld lámpa világítása tanúskodik.



4. Ha az akkumulátoron az összes LED világít, az akkumulátor teljesen fel van töltve. Az akkumulátort legfeljebb 24 óráig tölts.
5. Az akkumulátortöltő fali aljzathoz történő kihúzásához a dugaszt húzza, ne a tápkábelt.
6. Vegye ki az akkumulátort a töltőből.

Akkumulátortöltési állapot

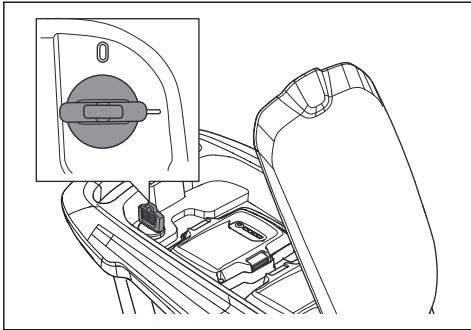
A Husqvarna lítiumion-akkumulátorok bármilyen töltöttségi szintnél tölthetők vagy használhatók. Ez nem árt az akkumulátornak. A teljesen feltöltött akkumulátor a töltőkészülékben hagyva sem veszít a töltöttségéből.

LED-es kijelző	Töltési állapot
Az 1. LED villog.	0%–25%
Az 1. LED világít, a 2. LED villog	25%–50%
Az 1. és 2. LED világít, a 3. LED villog.	50%–75%
Az 1., 2. és 3. LED világít, a 4. LED villog.	75%–100%
Az 1., 2., 3. és 4. LED világít	Teljesen feltöltve

A termék elindítása

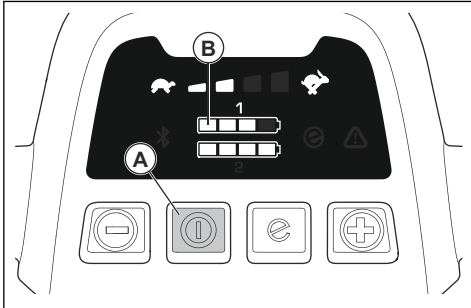
1. Nyissa fel az akkumulátorfedelel.
2. Helyezze a feltöltött akkumulátort az akkumulátortartók egyikébe. Hosszabb használati idő esetén tegyen egy második feltöltött akkumulátort a másik akkumulátortartóba.

3. Állítsa a biztonsági kulcsot „1” állásba.

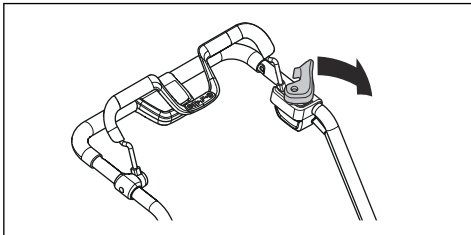


4. Maradjon a termék mögött.

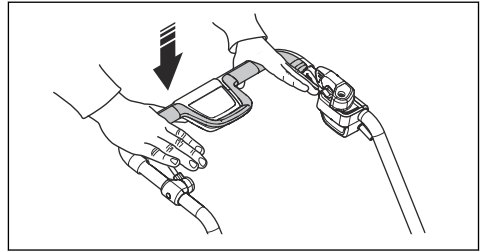
5. Nyomja meg a vezérlőpanelen lévő ON/OFF gombot (A). A kijelző világítani kezd. Az akkumulátorjelző (B) a két akkumulátor töltöttségi szintjét jeleníti meg. Az akkumulátorjelző mellett a használatban lévő akkumulátor száma látható. Az LC 347iV, LC 347iVX, LC 353iV, LC 353iVX modellek esetében a kijelző a beállított sebességet is megjeleníti.



6. Oldja ki az indításgátlót.

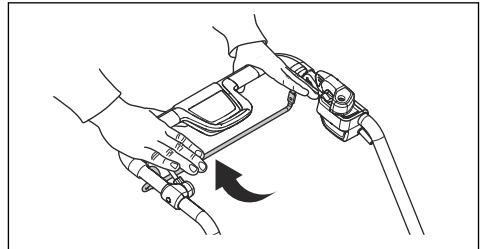


7. Nyomja a motorfékgogantyút a fogantyú irányába.

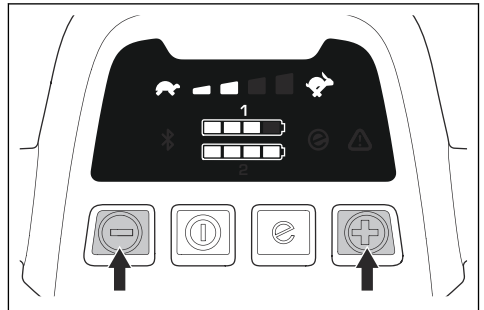


A kereken levő meghajtó használata LC 347iV, LC 347iVX, LC 353iV, LC 353iVX

- A meghajtás indításához húzza a kerékajtás kapcsoló kart a fogantyú irányába.



- A vezérlőpanel + és - gombjainak megnyomásával 4 lépésben állíthatja a haladási sebességet.



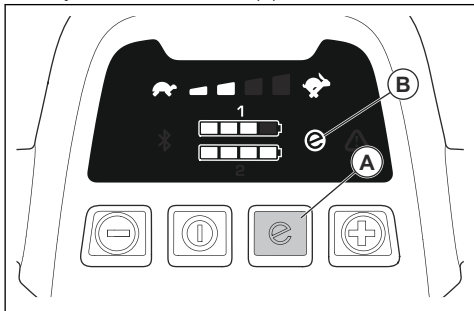
- Engedje el a kerékajtás kapcsoló kart, hogy kikapcsolja a meghajtást, például amikor akadály közelébe ér.

A funkció használata

A termék akkumulátorkímélő funkcióval () rendelkezik, amely hosszabb üzemidőt biztosít.

1. A funkció elindításához nyomja meg a gombot (A). A kijelzőn lévő szimbólum (B) világítani kezd.

2. A funkció leállításához nyomja meg ismét a gombot. A kijelzőn lévő szimbólum (B) kialszik.



A funkció automatikusan leáll, ha a talajkörülmények nagyobb teljesítményt követelnek meg. A funkció automatikusan újra bekapcsol, ha a talajkörülmények lehetővé teszik.

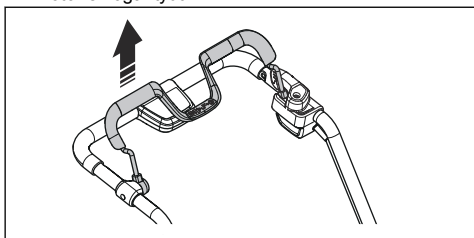
Nagy terhelésű üzemmód funkció

Ha a termékkel hosszú vagy nedves fűvet vág, a motor automatikusan növeli a fordulatszámot. A motor normál módba tér vissza, ha a nincs szükség nagy terhelésre.

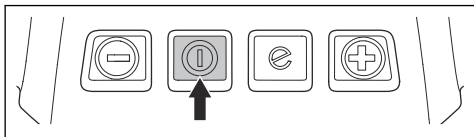
A termék leállítása

A termék automatikusan leáll, ha 10 percig nem használja. Mindig állítsa a biztonsági kulcsot „0” állásba, ha a terméket felügyelet nélkül hagyja.

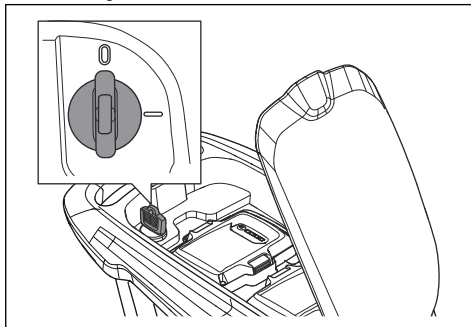
1. A motor leállításához engedje fel a motorfékfogantyút.



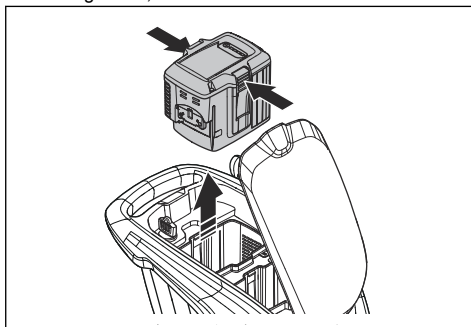
2. Nyomja meg a vezérlőpanelen lévő ON/OFF gombot. A kijelzőn lévő összes fény és szimbólum kialszik.



3. Nyissa fel az akkumulátorfedelelet, és fordítsa a biztonsági kulcsot „0” állásba.



4. Az akkumulátor eltávolításához nyomja meg a két kioldógombot, és húzza ki az akkumulátort.



5. Töltse fel a gyenge töltöttségű akkumulátort. További információért lásd: *Az akkumulátor töltése300. oldalon.*

Megfelelő eredmény elérése

- Használjon mindig éles kést. A tompa kés egyetlen eredményt ad, és a fű vágási felülete megsárgul. Az éles kés egyben kevesebb energiát igényel, mint a tompa kés.
- Ne nyírjon le többet a fű hosszának $\frac{1}{3}$ -ánál. Először nagy vágási magasságot állítson be, és úgy nyírjon. Vizsgálja meg az eredményt, és csökkentse a vágási magasságot egy megfelelő szintre. Ha nagyon magas a fű, lassan és szükség esetén 2-szer nyírjon.
- Minden alkalommal más irányban haladjon, hogy ne alakuljanak ki sávok a pázsiton.

Fű vágása fűgyűjtő vagy mulcsozó dugó nélkül

- Emelje fel a hátsó burkolatot, és vegye ki a fűgyűjtőt.
- Ha van felszerelve mulcsozó dugó és mulcsozókés, szerelje le azokat.
- Zárja le a hátsó burkolatot, mielőtt használni kezdené a terméket.

A termék használatakor a levágott fű a hátsó burkolat alatt ürül.

Karbantartás

Bevezető



FIGYELMEZTETÉS: Karbantartás előtt el kell olvasnia és meg kell értenie a biztonságról szóló fejezetet.

A gépen végzett minden szerviz- és javítási munkát szakképzettséget igényel. Garantáljuk a professzionális javítások és szervizelés lehetőségét. Ha viszonteladója nem szervizműhely, forduljon hozzájuk a legközelebbi szervizműhellyel kapcsolatban.

Karbantartási terv

A karbantartási intervallumok meghatározásakor a termék napi használatát feltételeztük. Az intervallum változik, ha a terméket nem napi rendszerességgel használja.

A *-gal jelölt karbantartásokhoz az utasításokat lásd: *Biztonsági utasítások az üzemeltetéshez 292. oldalon.*

	Minden használat során	Havonta	Évszakonként
Végezzen általános ellenőrzés	X		
Tisztítsa meg a terméket	X		
Ellenőrizze az indításgátlót *	X		
Ellenőrizze, hogy nem hibásak-e a termék biztonsági eszközei *	X		
Ellenőrizze a vágószerkezetet	X		
Ellenőrizze a vágóburkolatot *	X		
Ellenőrizze a motorfékgantyút *	X		
Győződjön meg az ON/OFF gomb megfelelő, hibátlan működéséről	X		
Ellenőrizze, nem sérült-e az akkumulátor	X		
Ellenőrizze az akkumulátor töltöttségét	X		
Ellenőrizze, működnek-e az akkumulátor kioldógombjai, és megfelelően rögzül-e az akkumulátor a termékben	X		
Ellenőrizze az akkumulátortöltő épségét; győződjön meg arról, hogy megfelelően működik-e.		X	
Ellenőrizze az akkumulátor és a termék közötti csatlakozásokat. Ellenőrizze az akkumulátor és az akkumulátortöltő közötti csatlakozásokat is.			X

Általános ellenőrzés

- Ellenőrizze, hogy az anyák és csavarok meg vannak-e szorítva a terméken.
- Ellenőrizze, hogy a termék kábeleli úgy helyezkednek-e el, hogy ne tudjanak megsérülni.

A termék tisztítása

- A műanyag részeket tiszta, száraz törlőkendővel tisztítsa.

- A termék tisztításához ne használjon vizet. A víz az akkumulátorba vagy a motorba jutva azok rövidzárlatát vagy a termék károsodását okozhatja.
- Ne használjon nagynyomású mosót a termék tisztításához.
- Ne irányítsa a vízsugarat közvetlenül a motorra.
- Kefével távolítsa el a leveleket, a fűvet és az egyéb szennyeződések.

Az akkumulátor és az akkumulátortöltő tisztítása



VIGYÁZAT: Soha ne tisztítsa vízzel az akkumulátort vagy az akkumulátortöltőt.

- Mielőtt az akkumulátort a töltőkészülékbe helyezné, győződjön meg róla, hogy az akkumulátor és az akkumulátortöltő tiszta és száraz-e.
- Az akkumulátorsaruk tisztítását sűrített levegővel vagy egy puha és száraz ruhával végezze.
- Az akkumulátor és a töltőkészülék felületének tisztítását puha és száraz ruhával végezze.

A vágószerkezet ellenőrzése



FIGYELMEZTETÉS: A véletlen beindítás elkerülése érdekében fordítsa a biztonsági kulcsot „0” állásba, vegye ki az akkumulátort, és várjon legalább 5 másodpercet.



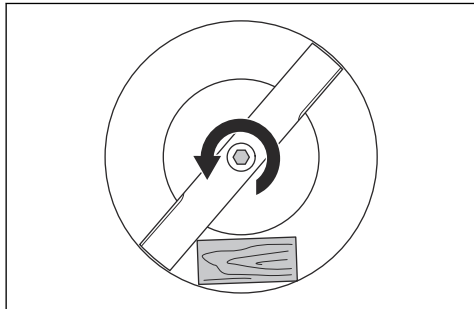
FIGYELMEZTETÉS: A vágószerkezet karbantartásakor használjon védőkesztyűt. A kés nagyon éles, könnyen megvághatja magát.

1. Ellenőrizze a vágószerkezetet sérülés, repedés szempontjából. Mindig cserélje ki a sérült vágószerkezetet.
2. Nézze meg a kést, hogy sérült-e vagy tompa-e.

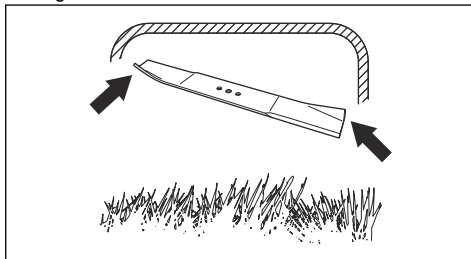
Megjegyzés: A kés élezését követően ki kell egyensúlyozni. Végeztesse a kés élezését, cseréjét és kiegyensúlyozását szervizközponttal. Ha olyan akadályba ütközött, amely megállította a terméket, cserélje ki a sérült kést. Vizsgáltsa meg a szervizközpontban, hogy élezhető-e a kés, vagy pedig cserét igényel-e.

A kés eltávolítása és cseréje

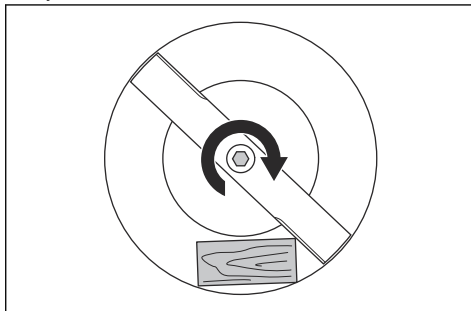
1. Rögzítse a kést egy fadarabbal.



2. Távolítsa el a késtartó csavart.
3. Vegye le a kést.
4. Ellenőrizze a késtámaszt és a késtartó csavart, hogy sérült-e.
5. Ellenőrizze a motor tengelyét, hogy nincs-e meghajolva.
6. Az új kés rögzítésekor a kés ferde vége a vágóburkolat felé nézzen.



7. Győződjön meg róla, hogy a kés igazodik a motortengely középpontjához.
8. Rögzítse a kést egy fadarabbal. Helyezze fel a rugós alátétet, és húzza meg a csavart 23–28 Nm nyomatékkal.



9. Forgassa meg a kést kézzel, és figyelje, hogy szabadon forog-e.



FIGYELMEZTETÉS:

Használjon strapabíró kesztyűt. A kés nagyon éles, könnyen megvághatja magát.

10. Indítsa be a terméket, hogy tesztelje a kést. Ha a kés nincs megfelelően rögzítve, a termékben rezgés tapasztalható, vagy a vágási eredmény nem kielégítő.

Hibaelhárítás

Akkumulátor

LED az akkumulátoron	Lehetséges hibák	Lehetséges eljárás
A zöld LED villog	Az akkumulátor feszültsége alacsony	Töltse fel az akkumulátort. Lásd: <i>Az akkumulátor töltése</i> 300. oldalon.
Villog a hibajelző LED	Az akkumulátor töltöttségi szintje alacsony	Töltse fel az akkumulátort. Lásd: <i>Akkumulátor</i> 305. oldalon.
	A munkakörnyezet hőmérséklete túl magas vagy túl alacsony	Az akkumulátort -10 °C és 40 °C közötti hőmérsékleten használja.
	Túlfeszültség	Ellenőrizze, hogy a hálózati feszültség megegyezik-e a termék adattábláján szereplő feszültséggel. Vegye ki az akkumulátort a töltőből. Várjon 5 másodpercet, majd próbálja újra feltölteni az akkumulátort. Ha a probléma továbbra is fennáll, lépjen kapcsolatba egy hivatalos szakszervizzel.
A hibajelző LED világít	Túl nagy a cellák közti különbség (1 V)	Forduljon egy hivatalos szakszervizhez.

Akkumulátortöltő

LED az akkumulátortöltőn	Lehetséges hibák	Lehetséges eljárás
Villog a hibajelző LED	A munkakörnyezet hőmérséklete túl magas vagy túl alacsony	Az akkumulátortöltőt 5 °C és 40 °C közötti hőmérsékleten használja.
A hibajelző LED világít		Forduljon egy hivatalos szakszervizhez

Vezérlőpanel

Billentőüzet	Hibakód (villanások száma)	Lehetséges hibák	Lehetséges megoldás
Villog a hibajelző LED	3	A motor túlterhelt	Növelje a vágási magasságot. Lásd: <i>A vágási magasság beállítása</i> 299. oldalon.
	5	A motor fordulatszáma túlságosan lecsökken, végül a motor leáll	
	10	A motor vezérlése túl forró	Állítsa le a motort, és várjon, amíg lehűl
	2	A kés valami akadályozza.	A véletlen beindítás elkerülése érdekében fordítsa a biztonsági kulcsot „0” állásba, vegye ki az akkumulátort, és várjon legalább 5 másodpercet. Győződjön meg róla, hogy a kés szabadon tud forogni. Ha a probléma továbbra is fennáll, lépjen kapcsolatba egy hivatalos szakszervizzel
	9	Akkumulátorhiba, vagy nincs jel az akkumulátortól	Helyezze be megfelelően az akkumulátort, és ellenőrizze az akkumulátorcsatlakozót. Ha az akkumulátoron lévő hibajelző LED villog: Lásd: <i>Akkumulátor</i> 299. oldalon.
A termék leáll	8	Az akkumulátor töltöttségi szintje alacsony	Töltse fel az akkumulátort. Lásd: <i>Az akkumulátor töltése</i> 300. oldalon.
	0	Akkumulátorcsatlakozó hiba	Vizsgálja meg az akkumulátor csatlakozóját
Egyéb hibák	Egyéb hibák esetén fordítsa a biztonsági kulcsot „0” állásba, vegye ki az akkumulátort, és forduljon egy hivatalos szervizműhelyhez.		

Szállítás, tárolás és ártalmatlanítás

Bevezető

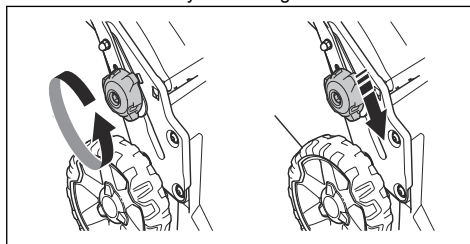


FIGYELMEZTETÉS: A véletlen beindítás elkerülése érdekében szállítás előtt fordítsa a biztonsági kulcsot „0” állásba, vegye ki az akkumulátort, és várjon legalább 5 másodpercet.

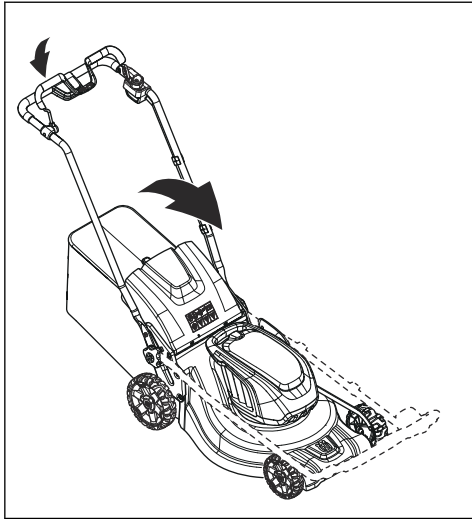
A termék szállítási pozícióba állítása

1. Lazítsa meg az alsó csavarokat.

2. A gombokat a termék bal és jobb oldalán is csúsztassa a hornyok alsó végébe.



3. Hajtsa előre a fogantyút.



4. Vegye ki a fűgyűjtőt.

Szállítás

- A mellékelt lítium-ion akkumulátorokra a veszélyes anyagokra vonatkozó jogszabályok követelményei érvényesek.
- Kereskedelmi szállításnál be kell tartani a csomagoláson és címkéken szereplő speciális előírásokat.
- Ügyeljen rá, hogy betartsa a veszélyes anyagokra vonatkozó jogszabályokat a termék szállításra való előkészítésekor. Az esetleges helyi jogszabályokat is be kell tartani.
- Szállításhoz mindig vegye ki az akkumulátort.
- Tegyen ragasztószalagot az akkumulátor csatlakozóira, és gondoskodjon róla, hogy az akkumulátor ne mozdulhasson el a szállítás során.
- Szállításkor rögzítse a terméket.

Tárolás

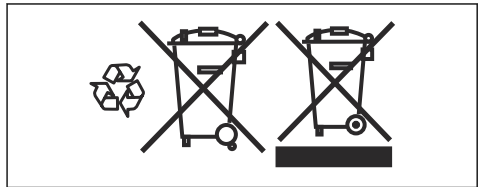
- Tároláshoz mindig vegye ki az akkumulátort.
- A baleset megelőzése érdekében tároláskor az akkumulátor ne csatlakozzon a termékhez.

- Az akkumulátortöltőt zárt, száraz helyen tárolja.
- Az akkumulátort és az akkumulátortöltőt száraz helyen tárolja, ahol nem alakul ki nedvesség vagy fagy.
- A tárolás során csatlakoztassa le az akkumulátort az akkumulátortöltőtől.
- Ne tartsa az akkumulátort olyan helyen, ahol elektrosztatikus töltés lehet jelen. Ne tartsa az akkumulátort fém dobozban.
- Olyan helyen tárolja az akkumulátort, ahol a hőmérséklet mindig 5 és 25 °C közé esik, és védve van a napfénytől.
- Olyan helyen tárolja az akkumulátortöltőt, ahol a hőmérséklet mindig 5 és 45 °C közé esik, és védve van a napfénytől.
- A hosszú ideig való tárolás előtt győződjön meg róla, hogy az akkumulátor legalább 30–50%-os töltöttségű.
- Tartsa a terméket, az akkumulátort és az akkumulátortöltőt gyermekektől és jogosulatlan személyektől elzárt területen.
- A hosszú ideig való tárolás előtt tisztítsa meg a terméket, és végezze el annak teljes karbantartását.

Hulladékként való kezelés

A terméken vagy a csomagolásán található szimbólum azt jelzi, hogy ezt a terméket nem szabad a háztartási hulladék közé helyezni. A megfelelő újrafeldolgozó pontra el kell juttatni az elektromos és elektronikus berendezések hasznosítása érdekében.

A termék megfelelő kezelésének biztosításával segíthet kiküszöbölni azokat a környezetre és az emberre gyakorolt potenciális negatív hatásokat, amelyeket a termék helytelen hulladékkezelése okozhat. A termék újrahasznosításával kapcsolatban az önkormányzat, a hulladékártalmatlanítási szolgáltatást végző vállalkozás, illetve a terméket értékesítő szakkereskedés nyújthat részletesebb tájékoztatást.



Műszaki adatok

Műszaki adatok

	LC 247iX/LC 247i	LC 347iVX/LC 347iV	LC 353iVX/LC 353iV
Nyírómotor			
Motor típus	BLDC (kefe nélküli) 36 V	BLDC (kefe nélküli) 36 V	BLDC (kefe nélküli) 36 V

	LC 247iX/LC 247i	LC 347iVX/LC 347iV	LC 353iVX/LC 353iV
Motor fordulatszáma – SavE, ford./perc	2600	2600	2600
Motor fordulatszáma – Névleges, ford./perc	3000	3000	3000
Motor fordulatszáma – nagy terhelés, ford./perc	3500	3500	3500
Motor teljesítménye – max. kW	0,96	0,96	1,05
Motor teljesítménye – névleges, kW	0,75	0,75	0,9
Hajtómotor			
Motor teljesítménye – névleges, kW	N/A	0,25	0,25
Önjárás sebessége, km/h	N/A	3,0-4,5	3,0-4,5
Sebességfokozatok száma	N/A	4	4
Tömeg			
Tömeg akkumulátor nélkül, kg	24	26	28
Akkumulátor			
Akkumulátor típusa	Husqvarna akkumulátor sorozat	Husqvarna akkumulátor sorozat	Husqvarna akkumulátor sorozat
Akkumulátor üzemideje			
Akkumulátor üzemidő, min., (üresjárat) SavE funkcióval, egy 5,2 Ah-s Husqvarna (Bli200) akkumulátorral.	43	43	32
Akkumulátor üzemidő, min., (üresjárat) normál üzemmódban, egy 5,2 Ah-s Husqvarna (Bli200) akkumulátorral.	30	30	20
Zajkibocsátás ³⁴			
Hangteljesítményszint, mért dB (A) érték	94	94	97
Hangteljesítményszint, garantált, L _{WA} dB (A)	95	95	98
Zajszintek ³⁵			
Hangnyomásszint a felhasználó fülénél, dB (A)	82	82	86
Rezgésszintek ³⁶			
Fogantyú, m/s ²	0,42	0,42	2,64
Vágószerkezet			
Vágási magasság, mm	20-75 mm	20-75 mm	20-75 mm
Vágási szélesség, cm	47	47	53

³⁴ A környezetben a 2000/14/EK sz. EK irányelvvel összhangban hangteljesítményként mért zajkibocsátás (L_{WA}).

³⁵ A zajnyomásszintre vonatkozó jelentési adatok az 1,2 dB (A) tipikus statisztikus ingadozásával (szórásával) rendelkeznek.

³⁶ A rezgésszintre vonatkozó jelentési adatok az 0,2 m/s² tipikus statisztikus ingadozásával (szórásával) rendelkeznek. EN 60335-2-77:2017 vibrációs szabvány, 20.105. fejezet

	LC 247iX/LC 247i	LC 347iVX/LC 347iV	LC 353iVX/LC 353iV
Standard kés	Gyűjtő 5905934-10	Gyűjtő 5905934-10	Gyűjtő 5940757-10
Tartozék kés	Mulch 5907010-10	Mulch 5907010-10	Mulch 5950072-10
Fűgyűjtő úrtartalma, liter	55	55	60

A Bluetooth® technológiára vonatkozó rádiófrekvenciás adatok	LC 247iX	LC 347iVX	LC 353iVX
Frekvenciasáv, GHz	2,4-2,4835	2,4-2,4835	2,4-2,4835
Kimeneti teljesítmény, max. dBm	4	4	4

Jóváhagyott akkumulátorok	Típus	Akkumulátor kapacitása, Ah	Feszültség, V	Tömeg, kg
BLi20	Lítium-ion	4,0	36	2,6/1,2
BLi30	Lítium-ion	7,7	36	4,2/1,9
BLi200	Lítium-ion	5,2	36	2,8/1,3
BLi300	Lítium-ion	9,4	36	4,1/1,9

A megadott akkumulátorokhoz jóváhagyott töltők, BLi	Bemeneti feszültség, V	Frekvencia, Hz	Teljesítmény, W
QC80	100-240	50-60	80
QC80F	12	0	80
QC250	100-240	50-60	250
QC330	100-240	50-60	330
QC500	100-240	50-60	500

EK megfeleléségi nyilatkozat

EK megfeleléségi nyilatkozat

A **Husqvarna AB**, SE-561 82 Huskvarna, Svédország, tel: +46-36-146500, kijelenti, hogy a **Husqvarna LC 247i, LC 247iX, LC 347iV, LC 347iVX, LC 353iV, LC 353iVX** fűnyírók a 2018. évtől kezdődően megfelelnek az EGK TANÁCSA következő IRÁNYELVEINEK:

- a 2011. június 8-i, „egyes veszélyes anyagok alkalmazásának korlátozására vonatkozó” irányelv **2011/65/EU**
- a 2006. május 17-i, „gépekre vonatkozó” **2006/42/EK** sz. irányelv
- a 2000. május 8-i, „környezeti zajkibocsátással kapcsolatos” irányelv **2000/14/EK**

A zajkibocsátásra vonatkozó tájékoztatást lásd: *Műszaki adatok307. oldalon.*

A következő szabványok kerültek alkalmazásra:

EN/IEC 60335-1, EN/IEC 60335-2-77, EN/IEC 62233, EN 55014-1, EN ETSI 301 489-7 v1.3.1, EN 61000-6,

ETSI EN 61000-6-1, EN 300 328 BT low energy Tx/Rx, EN 50581

Eltérő rendelkezés hiányában a fenti szabványok a legutóbb közzétett verziókat jelölik.

Bejelentett tanúsítási szervezet: **0404, RISE SMP Svensk Maskinprovning AB, Box 7035, SE-750 07 Uppsala** elvégezte a megfeleléségi felmérést a 2000/14/EK irányelv VI. mellékletének megfelelően.

Huskvarna, 2020-04-22



Claes Losdal, Fejlesztési Igazgató/Kertművelési termékek (a Husqvarna AB hivatalos képviselője és a műszaki dokumentációk felelőse)

Bejegyzett védjegyek

A(z) **Bluetooth®** szövegdjegy és embléma a(z) **Bluetooth S/G, inc.** bejegyzett védjegye, és ezen jelzések Husqvarna általi használata licenclés keretében történik.

Sommario

Introduzione.....	311	Ricerca guasti.....	330
Sicurezza.....	315	Trasporto, stoccaggio e smaltimento.....	332
Montaggio.....	323	Dati tecnici.....	333
Utilizzo.....	324	Dichiarazione di conformità CE.....	336
Manutenzione.....	329	Marchi registrati.....	336

Introduzione

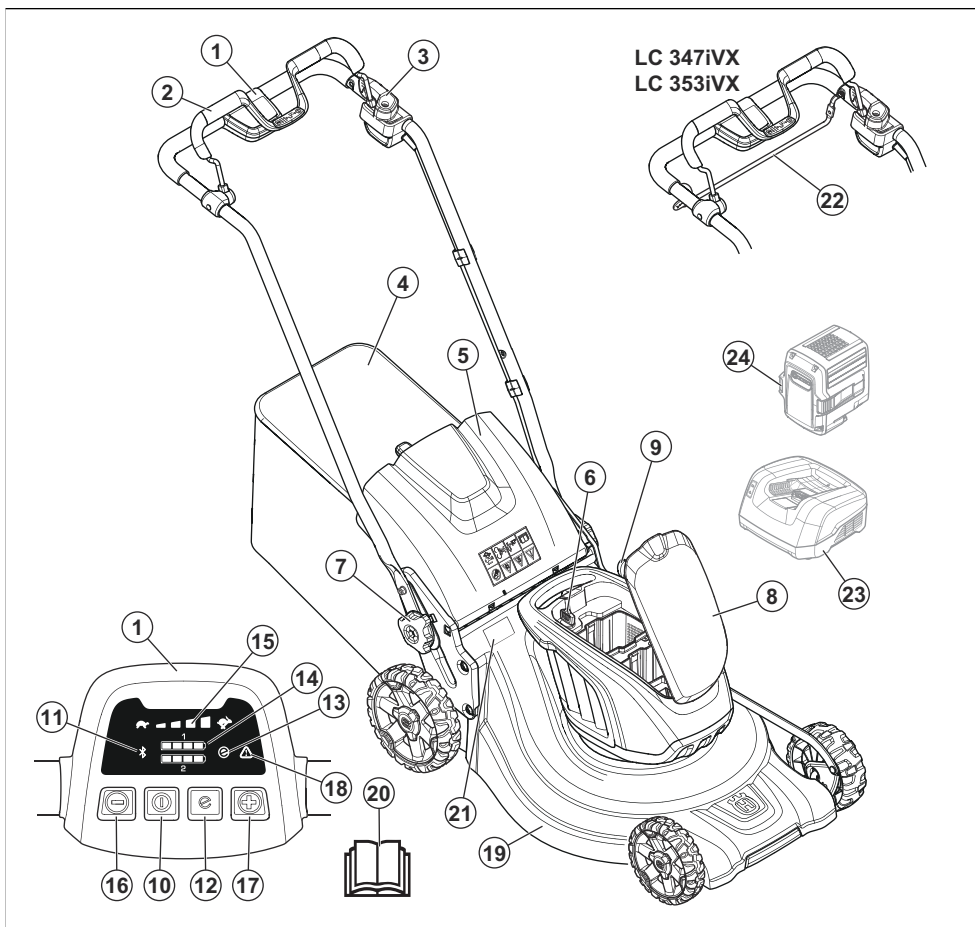
Descrizione del prodotto

Il prodotto è un rasaerba rotativo con operatore a piedi. L'erba viene raccolta in un raccogliherba. Rimuovere il raccogliherba per scaricare l'erba dalla parte posteriore del prodotto. Agganciare un kit di pacciamatura (accessorio) per tagliare l'erba da utilizzare come fertilizzante.

Uso previsto

Utilizzare il prodotto per tagliare l'erba. Non utilizzare il prodotto per altre attività.

Illustrazione del prodotto



- | | |
|--|---|
| 1. Pannello di comando | 15. Indicatore del livello di velocità (LC 347iV, LC 347iVX, LC 353iV, LC 353iVX) |
| 2. Impugnatura del freno motore | 16. Pulsante per diminuire la velocità (LC 347iV, LC 347iVX, LC 353iV, LC 353iVX) |
| 3. Inibitore di avviamento | 17. Pulsante per aumentare la velocità (LC 347iV, LC 347iVX, LC 353iV, LC 353iVX) |
| 4. Raccogliherba | 18. LED di errore |
| 5. Coperchio posteriore | 19. Coperchio di taglio |
| 6. Chiave di sicurezza | 20. Manuale operatore |
| 7. Manopola dell'impugnatura | 21. Targhetta dati di funzionamento |
| 8. Sportello del vano batteria | 22. Impugnatura di comando (LC 347iV, LC 347iVX, LC 353iV, LC 353iVX) |
| 9. Controllo dell'altezza di taglio | 23. Caricabatterie (accessorio) |
| 10. Pulsante ON/OFF | 24. Batteria (accessorio) |
| 11. Indicatore della tecnologia wireless <i>Bluetooth</i> [®] | |
| 12. Pulsante SavE | |
| 13. Indicatore SavE | |
| 14. Indicatore della batteria | |

Simboli riportati sul prodotto



AVVERTENZA!
prestare attenzione e utilizzare il prodotto correttamente. Il prodotto può causare gravi lesioni o morte dell'operatore o altre persone.



Prima dell'uso, leggere attentamente il manuale operatore e accertarsi di aver compreso le istruzioni.



Mantenere le persone e gli animali a una distanza di sicurezza dalla zona di lavoro.



Prestare attenzione a oggetti lanciati o rimbalzati.



Attenzione Tenere mani e piedi lontani dalla lama rotante.



Attenzione Tenere le mani e i piedi lontani dalle parti rotanti.



Rimuovere la chiave di sicurezza prima di eseguire operazioni di riparazione o di manutenzione.



Non esporre alla pioggia.



Il prodotto o l'imballaggio del prodotto non è un rifiuto domestico. Riciclarlo in una stazione di riciclaggio per apparecchiature elettriche ed elettroniche.



Il prodotto è conforme alle direttive CE vigenti.



Il prodotto è conforme alle direttive dell'Unione doganale eurasiatica vigenti.



Il prodotto è conforme alle direttive UkrSEPRO vigenti.



Il prodotto è conforme alle direttive RCM vigenti. Valide solo per

Australia/Nuova
Zelanda



Veloce



Emissioni di rumore nell'ambiente in conformità alla Direttiva Europea 2000/14/CE e alla norma del Nuovo Galles del Sud in materia di protezione dell'ambiente "Protection of the Environment Operations (Noise Control) Regulation 2017". I dati sulle emissioni di rumore sono riportati sull'etichetta della macchina e nel capitolo Dati tecnici,



Codice scansionabile

Nota: I restanti simboli/ decalcomanie sul prodotto riguardano particolari requisiti necessari per ottenere la certificazione in alcuni mercati.

Etichetta sul prodotto



IPX1 Il prodotto è protetto da gocciolamento.

Procedura di avvio: premere il pulsante ON/OFF, allentare l'inibitore di avviamento, premere verso il basso l'impugnatura del freno motore.



Rilasciare l'impugnatura del freno motore per arrestarlo.



Lento

Tenere mani e piedi lontani dalle lame rotanti.

Responsabilità del prodotto

Come indicato nelle leggi vigenti in materia di responsabilità obbligatoria sul prodotto, non siamo responsabili per eventuali danni causati dal nostro prodotto se:

- Il prodotto viene riparato in modo errato.
- Il prodotto viene riparato con parti che non provengono o non sono omologate dal produttore.
- Il prodotto contiene un accessorio che non proviene o non è omologato dal produttore.
- Il prodotto non viene riparato presso un centro di assistenza autorizzato o presso un'autorità competente.

Definizioni di sicurezza

Le avvertenze, le precauzioni e le note sono utilizzate per evidenziare le parti importanti del manuale.



AVVERTENZA: Utilizzato se è presente un rischio di lesioni o morte dell'operatore o di passanti nel caso in cui le istruzioni del manuale non vengano rispettate.



ATTENZIONE: Utilizzato se è presente un rischio di danni al prodotto, ad altri materiali oppure alla zona adiacente nel caso in cui le istruzioni del manuale non vengano rispettate.

Nota: Utilizzato per fornire ulteriori informazioni necessarie in una determinata situazione.

Istruzioni di sicurezza generali



AVVERTENZA: Leggere le seguenti avvertenze prima di utilizzare il prodotto.

- Questo prodotto è pericoloso se utilizzato in maniera impropria o se non si presta attenzione. La mancata osservanza delle istruzioni di sicurezza può causare lesioni anche fatali.
- Durante il funzionamento, questo prodotto genera un campo elettromagnetico. Tale campo può interferire, in alcuni casi, con persone portatrici di impianti medici attivi o passivi. Per ridurre il rischio di condizioni che possono implicare lesioni gravi o mortali, i portatori di tali impianti devono consultare il proprio medico e il produttore dell'impianto prima di utilizzare questo prodotto.
- Usare la massima cautela e il buon senso. Se non si è sicuri di come utilizzare il prodotto in una particolare situazione, fermarsi e rivolgersi al proprio rivenditore Husqvarna prima di continuare.
- Tenere presente che l'operatore potrà essere ritenuto responsabile di eventuali incidenti che coinvolgano altre persone o i loro beni.

- Tenere pulito il prodotto. Assicurarsi che sia possibile leggere chiaramente simboli e decalcomanie.
- Non consentire mai l'uso dell'apparecchio a bambini o persone che non conoscono le presenti istruzioni. Alcune normative locali possono limitare l'età dell'operatore
- Controllare sempre qualsiasi persona, dalle capacità fisiche o mentali ridotte, che utilizzi il prodotto. È necessaria sempre la supervisione di un adulto responsabile.
- Non utilizzare l'apparecchio quando si è stanchi, ammalati o sotto effetto di alcool, farmaci o medicinali. Essi potrebbero compromettere la vista, l'attenzione, il coordinamento e il giudizio.
- Se difettoso, non utilizzare il prodotto.
- Non modificare il prodotto né utilizzarlo nel caso in cui vi sia la possibilità che sia stato modificato da altri.
- Rimuovere oggetti quali rami, ramoscelli o pietre dall'area di lavoro prima di utilizzare il prodotto.
- Gli oggetti che urtano contro l'attrezzatura di taglio potrebbero essere proiettati e causare danni a cose e persone. Mantenere persone e animali a una distanza di sicurezza dal prodotto.
- Non utilizzare mai il prodotto in condizioni meteorologiche avverse quali nebbia, pioggia, vento forte, freddo intenso e rischio di fulmini. L'uso del prodotto in condizioni meteorologiche avverse o in ambienti umidi è stancante. Condizioni meteorologiche avverse possono causare situazioni di pericolo quali superfici scivolose.
- Prestare attenzione a persone, cose e situazioni che possono impedire un utilizzo sicuro del prodotto.
- Prestare attenzione a ostacoli quali radici, pietre, ramoscelli, fossi e avvallamenti. L'erba alta può nascondere eventuali ostacoli.
- Tagliare l'erba in pendenza può risultare pericoloso. Non utilizzarli su pendii eccessivamente ripidi. Non

Sicurezza dell'area di lavoro



AVVERTENZA: Leggere le seguenti avvertenze prima di utilizzare il prodotto.

utilizzare il prodotto su terreni con pendenze superiori a 15°.

- Procedere con estrema cautela quando si cambia direzione in pendenza. Utilizzare il prodotto trasversalmente lungo i pendii. Non spostarsi seguendo tragitti verso l'alto e verso il basso.
- Prestare attenzione in prossimità di angoli e oggetti nascosti che potrebbero ostacolare la visuale.

Sicurezza sul lavoro



AVVERTENZA: Leggere le seguenti avvertenze prima di utilizzare il prodotto.

- Utilizzare il prodotto esclusivamente per tagliare il prato. Non è consentito utilizzare il prodotto per altri scopi.
- Usare sempre abbigliamento protettivo personale. Vedere *Abbigliamento protettivo personale alla pagina 318*.
- Assicurarsi di saper spegnere il motore rapidamente in caso di emergenza.
- Non utilizzare il prodotto con pioggia o umidità. Il rischio di scosse elettriche aumenta se l'acqua penetra nel prodotto.
- Non azionare il prodotto senza prima aver montato correttamente la lama e tutti i coperchi. Una lama non correttamente fissata potrebbe allentarsi e causare lesioni personali.
- Assicurarsi che la lama non urti oggetti quali pietre e radici. Ciò potrebbe provocare danni alla lama e piegare l'albero motore. Un'asse piegato provoca forti vibrazioni e un alto rischio di allentamento della lama.
- Qualora la lama urti contro un oggetto o all'insorgere di vibrazioni arrestare immediatamente il prodotto. Arrestare il motore, ruotare la chiave di sicurezza su 0 e rimuovere la batteria. Verificare la presenza di eventuali danni al prodotto. Riparare eventuali danni o contattare un'officina autorizzata per far svolgere la riparazione.
- Non fissare l'impugnatura del freno motore in modo permanente al manubrio quando il motore è avviato.
- Posizionare il prodotto su una superficie piana e stabile e

avviarlo. Assicurarsi che la lama non venga a contatto con il terreno o con altri oggetti.

- Collocarsi sempre posteriormente al prodotto quando lo si utilizza.
- Consentire a tutte le ruote di restare a contatto con il suolo e tenere le 2 mani sull'impugnatura mentre si aziona il prodotto. Tenere mani e piedi lontani dalle lame rotanti.
- Non ribaltare il prodotto a motore acceso.
- Prestare attenzione quando si tira il prodotto verso di sé.
- Non sollevare mai il prodotto a motore avviato. Se è necessario sollevare il prodotto, arrestare prima di tutto il motore, poi ruotare la chiave di sicurezza su 0 e rimuovere la batteria.
- Non camminare all'indietro quando si utilizza il prodotto.
- Arrestare il motore quando si attraversano zone prive d'erba quali vialetti in ghiaia, pietra e asfalto.
- Non correre con il prodotto quando il motore è acceso. Camminare sempre durante l'utilizzo del prodotto.
- Arrestare il motore prima di apportare qualsiasi modifica

all'altezza di taglio. Non effettuare mai regolazioni a motore acceso.

- Non perdere mai di vista il prodotto quando il motore è acceso. Arrestare il motore e assicurarsi che l'attrezzatura di taglio non giri.

Istruzioni di sicurezza per il funzionamento

Abbigliamento protettivo personale



AVVERTENZA: Leggere le seguenti avvertenze prima di utilizzare il prodotto.

- L'uso di abbigliamento protettivo personale non elimina il rischio di lesioni, ma ne riduce la gravità in caso di incidente. Farsi consigliare dal rivenditore per la scelta dell'attrezzatura adatta.
- Utilizzare robusti stivali o scarpe antiscivolo. Non utilizzare il prodotto con calzature aperte o a piedi nudi.
- Utilizzare pantaloni lunghi di tessuto pesante.
- Indossare guanti protettivi ove necessario, ad esempio per montare, ispezionare o pulire l'attrezzatura di taglio.

Dispositivi di sicurezza sul prodotto



AVVERTENZA: Leggere le seguenti avvertenze prima di utilizzare il prodotto.

- Non utilizzare un prodotto con dispositivi di sicurezza difettosi.
- Effettuare un controllo dei dispositivi di sicurezza con regolarità. Se i dispositivi di sicurezza sono difettosi, rivolgersi alla propria officina Husqvarna.

Controllo del coperchio di taglio

Il coperchio di taglio riduce le vibrazioni del prodotto e il rischio di ferirsi con la lama.

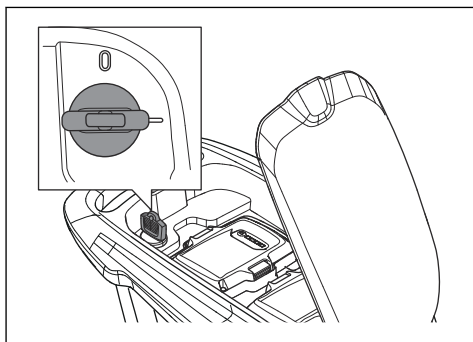
- Esaminare il coperchio di taglio per accertarsi che non presenti danni quali crepe.

Chiave di sicurezza

La chiave di sicurezza si trova sotto il coperchio della batteria. La chiave di sicurezza si collega alla batteria che alimenta il motore.

- Avviare e arrestare il motore per effettuare un controllo della chiave di sicurezza.

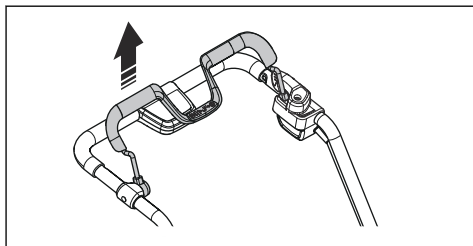
- Se la chiave di sicurezza funziona correttamente, il motore può avviarsi solo quando la chiave di sicurezza è in posizione 1.



Impugnatura del freno motore

L'impugnatura del freno motore arresta il motore. Quando si rilascia l'impugnatura del freno motore, il motore si arresta.

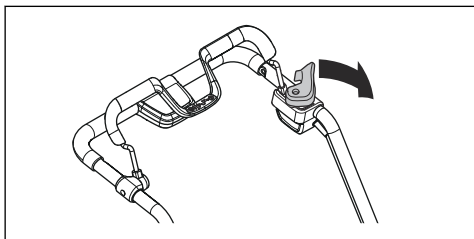
Per controllare il freno motore, avviare il motore e quindi rilasciare l'impugnatura del freno motore. Se il motore non si arresta entro 3 secondi, far regolare il freno motore presso un'officina Husqvarna autorizzata.



Per esaminare l'inibitore di avviamento

Effettuare un controllo dell'inibitore di avviamento per accertarsi che impedisca il funzionamento del motore.

1. Spingere l'impugnatura del freno motore in direzione del manubrio. L'inibitore di avviamento arresta il movimento.
2. Tirare fuori l'inibitore di avviamento.



3. Rilasciare l'inibitore di avviamento e accertarsi che ritorni nella sua posizione iniziale.

Sicurezza batterie



AVVERTENZA: Leggere le seguenti avvertenze prima di utilizzare il prodotto.

- Utilizzare le batterie ricaricabili Husqvarna come alimentazione per i soli prodotti Husqvarna in

questione. Per evitare il rischio di lesioni, non utilizzare la batteria come fonte di alimentazione per altri dispositivi.

- Non utilizzare batterie non ricaricabili.
- Rischio di scosse elettriche. Non collegare i morsetti della batteria a chiavi, monete, viti o altro tipo di metallo. Ciò può causare un corto circuito della batteria.
- Non inserire oggetti nelle feritoie di aerazione della batteria.
- Tenere la batteria lontano dalla luce del sole, dal calore o da fiamme libere. La batteria può esplodere e causare bruciate e/o ustioni chimiche.
- Tenere la batteria lontano da pioggia e umidità.
- Tenere la batteria lontano da microonde e alta pressione.
- Non tentare di smontare o rompere la batteria.
- In caso di perdite dalla batteria, non lasciare che il liquido entri in contatto con il corpo o con gli occhi. In caso di contatto con il liquido, pulire l'area con grandi quantità di acqua e consultare un medico.

- Utilizzare la batteria a una temperatura compresa tra -10 °C e 40 °C.
- Non pulire la batteria o il caricabatteria con acqua. Vedere *Per pulire la batteria e il caricabatterie alla pagina 329*.
- Non utilizzare una batteria difettosa o danneggiata.
- Conservare le batterie lontano da oggetti metallici, come ad esempio chiodi, monete, gioielli.

Sicurezza del caricabatterie



AVVERTENZA: Leggere le seguenti avvertenze prima di utilizzare il prodotto.

- Utilizzare i caricabatterie QC per caricare esclusivamente le batterie di ricambio Husqvarna.
- Rischio di scosse elettriche o cortocircuiti. Non inserire oggetti nelle feritoie di aerazione del caricabatterie. Non tentare di smontare il caricabatterie. Non collegare i terminali del caricabatterie a oggetti metallici. Utilizzare una presa di rete omologata.
- Durante il funzionamento, questo prodotto genera un campo elettromagnetico. Tale campo può interferire, in alcuni casi, con persone portatrici di impianti medici attivi o passivi. Per ridurre il rischio di condizioni che possono implicare lesioni personali gravi o fatali, i portatori di tali impianti devono consultare il proprio medico e il produttore dell'impianto prima di utilizzare questo prodotto.
- Verificare regolarmente che il cavo di alimentazione del caricabatterie non sia danneggiato e che non vi siano crepe.
- Non sollevare il caricabatterie tramite il cavo di alimentazione. Per scollegare il caricabatterie da una presa di rete, tirare la spina. Non tirare il cavo di alimentazione.
- Tenere il cavo di alimentazione e le prolunghe lontani da acqua, olio e bordi appuntiti. Fare attenzione affinché il cavo non si incastri in porte, ostacoli o simili. Questo potrebbe causare scosse elettriche al contatto con il caricabatterie.
- Non pulire il caricabatterie con acqua.
- Il caricabatterie può essere utilizzato da bambini a partire

da 8 anni di età e da parte di persone con ridotte capacità fisiche, sensoriali o mentali, oppure con mancanza di esperienza e conoscenza, se vengono controllati o ricevono istruzioni sull'utilizzo sicuro del caricabatterie e se

comprendono i rischi. I bambini non devono giocare con il caricabatterie. La pulizia e la manutenzione non devono essere eseguite da bambini senza la supervisione di adulti.

- Non caricare batterie non ricaricabili nel caricabatterie.
- Non utilizzare il caricabatterie in prossimità di materiali infiammabili o materiali corrosivi. Non coprire il caricabatterie. Staccare la spina del caricabatterie in caso di fumo o incendio.
- Non utilizzare un caricabatterie difettoso o danneggiato.
- Caricare la batteria solo in luoghi chiusi, in una stanza con un buon flusso d'aria e lontano dalla luce del sole. Non caricare la batteria in condizioni di umidità.

Istruzioni di sicurezza per la manutenzione



AVVERTENZA: Leggere le seguenti avvertenze prima di utilizzare il prodotto.

- Per evitare l'avviamento accidentale durante la manutenzione, ruotare la chiave di sicurezza su 0 e rimuovere la batteria. Attendere almeno 5 secondi prima di iniziare la manutenzione.
- Eseguire gli interventi di manutenzione correttamente in modo da aumentare la durata di vita del prodotto e ridurre il rischio di incidenti. Affidare le riparazioni professionali a un'officina autorizzata. Per ulteriori informazioni, rivolgersi all'officina più vicina.
- Eseguire esclusivamente gli interventi di manutenzione riportati nel presente manuale operatore. Per operazioni di maggiore entità, rivolgersi a un'officina autorizzata.
- Indossare guanti per lavori pesanti quando si utilizza l'attrezzatura di taglio. La lama

è molto affilata e ci si può ferire facilmente.

- Mantenere i bordi taglienti affilati e puliti per prestazioni più sicure e ottimali
- Far esaminare regolarmente il prodotto da un'officina per messe a punto e riparazioni necessarie.
- Sostituire le parti danneggiate, usurate o rotte.
- Rispettare le istruzioni per la sostituzione degli accessori.

Utilizzare solo accessori del produttore.

- Quando non in uso, tenere il prodotto, la batteria e il caricabatterie lontano in un luogo all'interno, chiuso a chiave e asciutto. Assicurarsi che i bambini e le persone non autorizzate non abbiano accesso al prodotto, alla batteria o al caricabatterie.

Montaggio

Introduzione



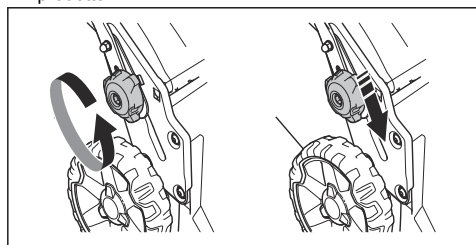
AVVERTENZA: Prima di montare il prodotto, leggere il capitolo sulla sicurezza.



AVVERTENZA: Per evitare l'avviamento accidentale durante il montaggio, ruotare la chiave di sicurezza su 0, rimuovere la batteria e attendere almeno 5 secondi.

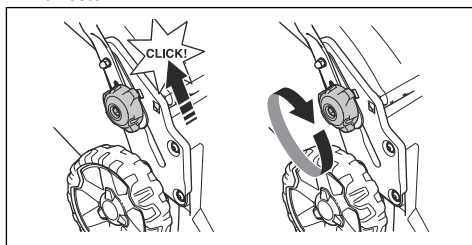
Regolazione dell'impugnatura

1. Allentare le manopole inferiori.
2. Spostare le manopole verso l'estremità inferiore delle scanalature dei lati sinistro e destro del prodotto.



3. Impostare l'altezza dell'impugnatura su una delle 2 posizioni disponibili.

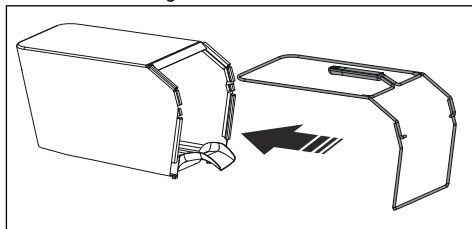
4. Spostare le manopole verso l'alto in direzione dell'impugnatura fino a quando un clic ne segnala l'arresto.



5. Stringere completamente le manopole.

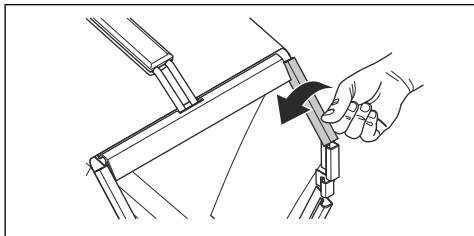
Per assemblare il raccoglierba

1. Fissare il telaio del raccoglierba al relativo sacco in basso. Mantenere l'impugnatura del telaio dalla parte alta del sacco raccoglierba.

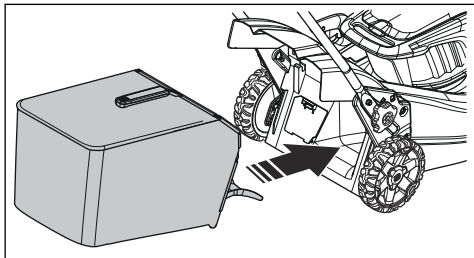


2. Fissare la parte inferiore del telaio del raccoglierba nella scanalatura in basso del raccoglierba.

3. Fissare il sacco sul telaio del raccoglierba utilizzando i fermi.

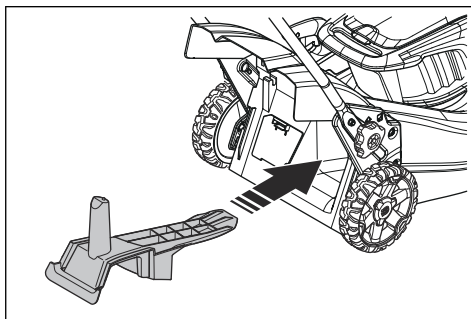


4. Sollevare il coperchio posteriore.
5. Fissare il raccoglierba al bordo superiore del telaio.
6. Inserire la parte inferiore del raccoglierba nel canale di scarico dell'erba.



Per montare la spina di pacciamatura (accessori)

1. Sollevare il coperchio posteriore e rimuovere il raccoglierba.
2. Inserire la spina di pacciamatura nel canale di scarico.



3. Sostituire la lama con la lama di pacciamatura fornita nel kit di pacciamatura. Consultare *Per rimuovere e sostituire la lama alla pagina 330*.

Utilizzo

Introduzione



AVVERTENZA: Prima di utilizzare il prodotto, è necessario leggere e comprendere il capitolo relativo alla sicurezza.

Husqvarna Connect

Husqvarna Connect è un'app gratuita per i dispositivi mobili. L'app Husqvarna Connect fornisce funzioni estese per il prodotto Husqvarna:

- Informazioni aggiuntive sul prodotto.
- Dettagli, guida, parti del prodotto e manutenzione.

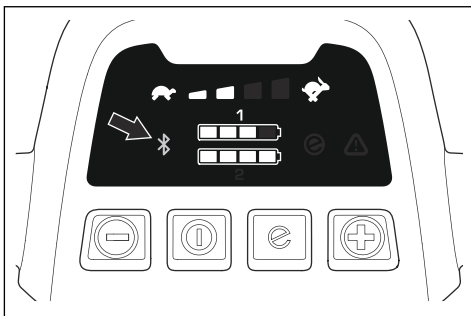
Primo utilizzo Husqvarna Connect

1. Scaricare l'app Husqvarna Connect sul proprio dispositivo mobile.
2. Registrarsi nell'app Husqvarna Connect.
3. Attenersi alle istruzioni dell'app Husqvarna Connect per collegare e registrare il prodotto.

Informazioni Bluetooth® LC 247iX, LC 347iVX, LC 353iVX

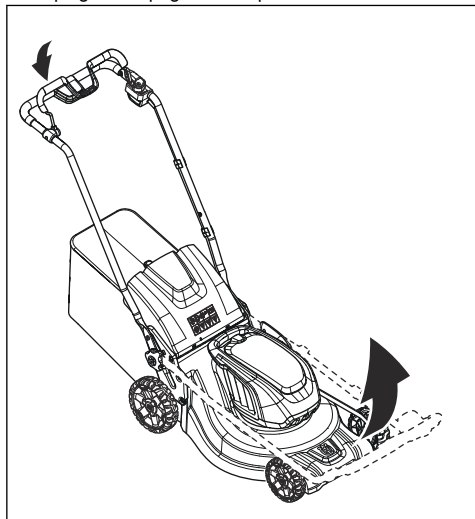
Tecnologia wireless Bluetooth®

Il simbolo per la tecnologia wireless *Bluetooth*® si accende quando il dispositivo mobile è collegato al prodotto.

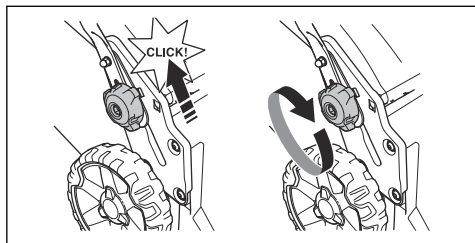


Per fissare il prodotto in posizione di funzionamento

1. Ripiegare l'impugnatura in posizione eretta.



2. Spostare le manopole verso l'alto in direzione dell'impugnatura fino a quando un clic ne segnala l'arresto.



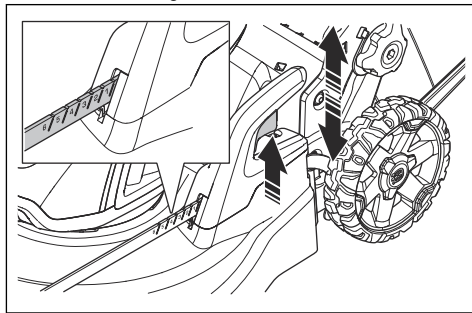
3. Stringere completamente le manopole.

Per impostare l'altezza di taglio

L'altezza di taglio può essere regolata su 6 diversi livelli.

1. Per diminuire l'altezza di taglio, spingere la leva dell'altezza di taglio verso il basso.

2. Per aumentare l'altezza di taglio, spingere la leva dell'altezza di taglio verso l'alto.



ATTENZIONE: Non impostare l'altezza di taglio troppo in basso. Se la superficie del prato non è piana, le lame possono urtare il terreno.

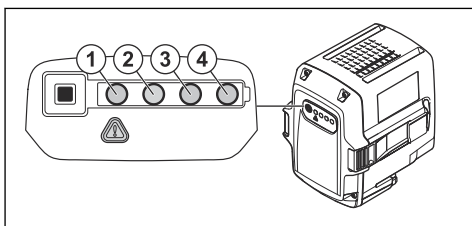
Batteria



AVVERTENZA: Prima di utilizzare la batteria, leggere e comprendere il capitolo sulla sicurezza. È inoltre importante leggere e comprendere il manuale operatore della batteria e del caricabatterie.

Stato della batteria

Il display mostra la capacità residua della batteria e se sussistono problemi con la batteria stessa. La capacità della batteria viene visualizzata per 5 secondi dopo lo spegnimento del prodotto o dopo aver premuto il pulsante di indicatore di batteria. Il simbolo d'avvertenza sulla batteria si accende quando si verifica un errore. Vedere *Batteria alla pagina 330*.



Spie LED	Stato della batteria
Tutti i LED accesi	Completamente carica (75-100%)
LED 1, LED 2, LED 3 accesi	La batteria è carica al 50%-75%
LED 1, LED 2 accesi	La batteria è carica al 25%-50%

Spie LED	Stato della batteria
LED 1 acceso.	La batteria è carica allo 0%-25%.
LED 1 lampeggia.	La batteria è scarica. Caricare la batteria.

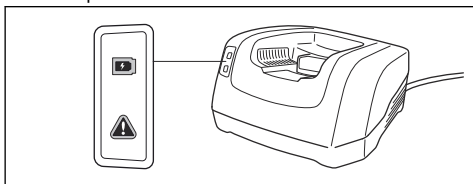
Per caricare la batteria

Caricare la batteria prima del primo utilizzo. Quando viene fornita al cliente, la batteria è carica solo al 30%.

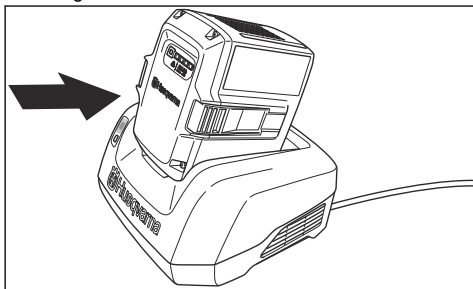
Nota: Il caricabatterie deve essere collegato alla rete elettrica e alla frequenza indicate sulla targhetta dati di funzionamento.

La batteria non si ricarica se la sua temperatura è superiore a 50°C. Il caricabatteria riduce la temperatura della batteria prima di iniziare la ricarica.

1. Collegare un'estremità del cavo di alimentazione del caricabatteria alla presa del caricabatterie.
2. Collegare l'altra estremità del cavo di alimentazione del caricabatteria ad una presa di corrente con messa a terra. Il LED sul caricabatterie lampeggia verde per una volta.



3. Inserire la batteria nel caricabatterie. La luce verde sul caricabatterie si accende quando la batteria è collegata correttamente al caricabatterie.



4. Quando tutti i LED sulla batteria sono accesi, la batteria è completamente carica. Caricare la batteria per massimo 24 ore.
5. Per scollegare il caricabatterie dalla presa di rete, estrarre la spina e non il cavo di alimentazione.
6. Rimuovere la batteria dal caricabatterie.

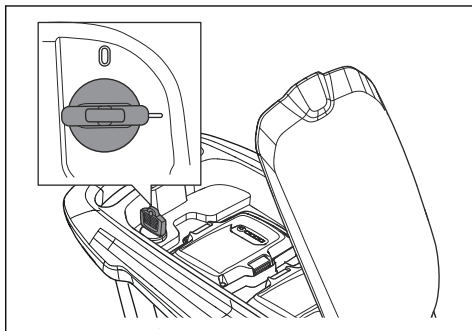
Stato di ricarica della batteria

È possibile utilizzare o caricare una batteria agli ioni di litio Husqvarna a tutti i livelli di carica. La batteria non viene danneggiata. Una batteria completamente carica non diminuisce la carica se lasciata nel caricabatterie.

Display a LED	Livello di carica
LED 1 lampeggia.	0%-25%
LED 1 acceso, LED 2 lampeggia.	25%-50%
LED 1, LED 2 accesi, LED 3 lampeggia.	50%-75%
LED 1, LED 2, LED 3 accesi, LED 4 lampeggia.	75%-100%
LED 1, LED 2, LED 3, LED 4 accesi	Completamente carica

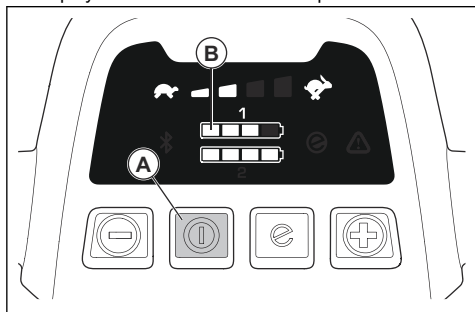
Avviamento del prodotto

1. Aprire il coperchio della batteria.
2. Inserire una batteria carica in 1 dei vani batteria. Per tempi di funzionamento più lunghi, mettere una seconda batteria carica nell'altro vano batteria.
3. Ruotare la chiave di sicurezza su 1.

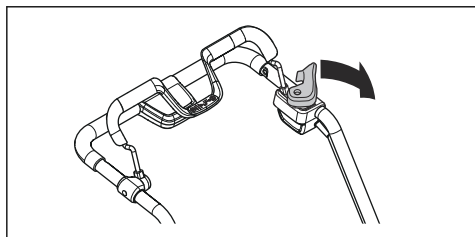


4. Collocarsi dietro il prodotto.

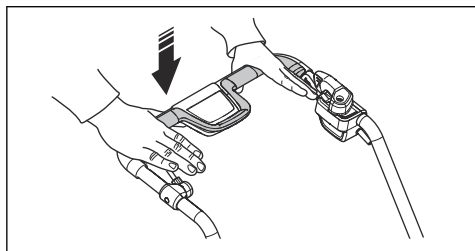
5. Premere il pulsante ON/OFF (A) sul pannello di comando. Il display si accende. L'indicatore della batteria (B) indica il livello di carica delle 2 batterie. Il numero della batteria in funzione è indicato adiacente all'indicatore della batteria. Per i modelli LC 347iV, LC 347iVX, LC 353iV, LC 353iVX, il display indica anche la velocità impostata.



6. Allentare l'inibitore di avviamento.

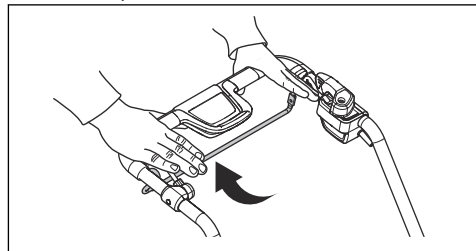


7. Spingere l'impugnatura del freno motore in direzione del manubrio.

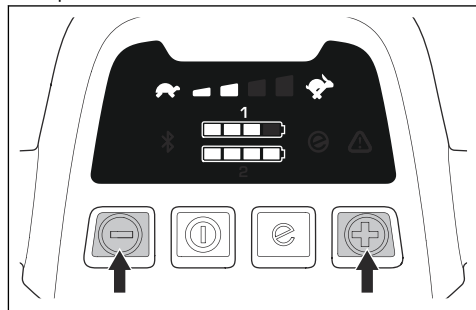


Per applicare trazione alle ruote LC 347iV, LC 347iVX, LC 353iV, LC 353iVX

- Tirare l'impugnatura di comando nella direzione del manubrio per avviare la trazione.



- Premere + e - sul pannello di comando per impostare la velocità di trazione in 4 fasi.

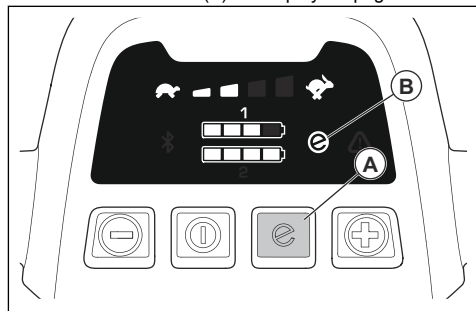


- Rilasciare l'impugnatura di comando per disinnestare la trazione, ad esempio quando ci si avvicina a un ostacolo.

Utilizzo della funzione

Il prodotto dispone di una funzione di risparmio batteria () che permette tempi di funzionamento più lunghi.

1. Premere il pulsante (A) per avviare la funzione. Il simbolo (B) sul display si accende.
2. Premere nuovamente il pulsante per interrompere la funzione. Il simbolo (B) sul display si spegne.



La funzione si arresta automaticamente se le condizioni del terreno rendono necessaria una resa superiore. La funzione si riavvia automaticamente quando le condizioni del terreno lo consentono.

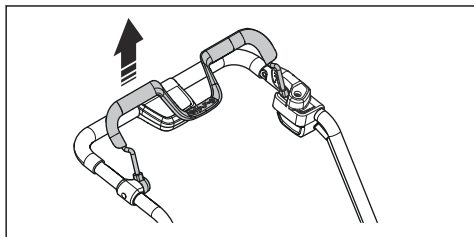
Funzione carico elevato

Quando il prodotto taglia erba lunga o umida, il motore aumenta automaticamente i giri/min. Il motore torna alla modalità standard quando il carico elevato non è necessario.

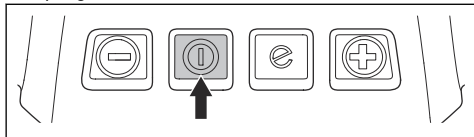
Arresto dell'unità

Il prodotto si arresta automaticamente se rimane non utilizzato per 10 minuti. Ruotare sempre la chiave di sicurezza in posizione 0 prima di lasciare incustodito il prodotto.

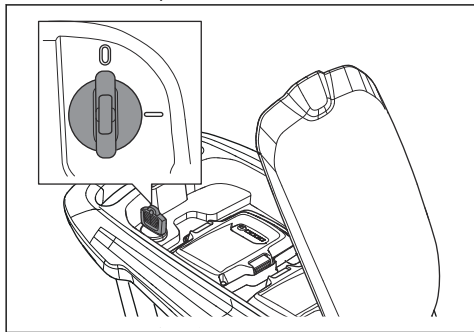
1. Rilasciare l'impugnatura del freno motore per arrestare il motore.



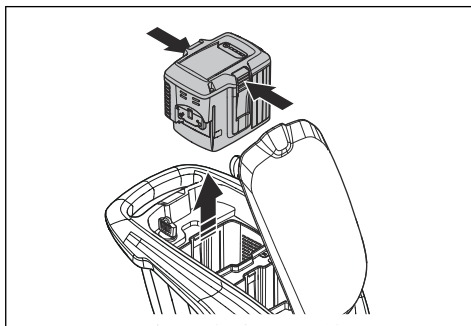
2. Premere il pulsante ON/OFF sul pannello di comando. Tutte le spie LED e i simboli sul display si spengono.



3. Aprire il coperchio della batteria e ruotare la chiave di sicurezza in posizione 0.



4. Per rimuovere la batteria, premere i 2 pulsanti di rilascio ed estrarre la batteria.



5. Caricare la batteria se è debole. Per ulteriori informazioni, fare riferimento a *Per caricare la batteria alla pagina 326*.

Per ottenere un buon risultato

- Utilizzare sempre una lama ben affilata. Una lama non tagliente fornisce un risultato irregolare e la superficie di taglio dell'erba ingiallisce. Una lama affilata inoltre consuma minore energia di una lama affilata.
- Non tagliare più di $\frac{1}{3}$ dell'altezza dell'erba. Iniziare l'operazione di taglio impostando l'altezza di taglio su un livello alto. Esaminare il risultato e ridurre l'altezza di taglio al livello applicabile. Se l'erba è molto alta, procedere lentamente e tagliarla 2 volte, se necessario.
- Tagliare sempre in direzioni diverse per evitare il formarsi di strisce sul prato.

Per tagliare l'erba senza un raccogliherba o una spina di pacciamatura collegata

- Sollevare il coperchio posteriore e rimuovere il raccogliherba.
- Se sono collegate una spina e una lama di pacciamatura, rimuoverle.
- Chiudere il coperchio posteriore prima di azionare il prodotto.

Durante l'utilizzo del prodotto, l'erba tagliata si scarica sotto il coperchio posteriore.

Manutenzione

Introduzione



AVVERTENZA: Prima di svolgere la manutenzione, leggere e comprendere il capitolo relativo alla sicurezza.

Per tutti gli interventi di assistenza e riparazione sul prodotto, è necessaria una formazione specifica. La nostra azienda garantisce la disponibilità di personale qualificato per le riparazioni e l'assistenza. Se non avete acquistato il prodotto presso un rivenditore dotato di

officina, informatevi sull'ubicazione della più vicina officina autorizzata.

Programma di manutenzione

Gli intervalli di manutenzione sono calcolati sulla base di un uso quotidiano del prodotto. Gli intervalli cambiano se il prodotto non viene usato quotidianamente.

Per gli interventi di manutenzione contrassegnati con il simbolo *, vedere le istruzioni in *Istruzioni di sicurezza per il funzionamento alla pagina 318*.

	A ciascuna utilizzazione	Una volta al mese	Ogni stagione
Svolgere un'ispezione generale	X		
Pulire il prodotto	X		
Eseguire un controllo dell'inibitore di avviamento *	X		
Accertarsi che i dispositivi di sicurezza del prodotto non siano difettosi *	X		
Controllare l'attrezzatura di taglio	X		
Controllare il coperchio di taglio *	X		
Controllare l'impugnatura del freno motore *	X		
Accertarsi che il pulsante ON/OFF funzioni correttamente e che non sia difettoso	X		
Controllare la presenza di eventuali danni alla batteria	X		
Effettuare un controllo dello stato di carica della batteria	X		
Accertarsi che i pulsanti di rilascio sulla batteria funzionino correttamente e che tengano la batteria bloccata sul prodotto.	X		
Controllare che il caricabatterie non sia danneggiato e che funzioni correttamente.		X	
Controllare i collegamenti tra la batteria e il prodotto. Controllare anche il collegamento tra la batteria e il caricabatterie.			X

Per effettuare un'ispezione generale

- Controllare che tutti i dadi e le viti del prodotto siano ben serrati.
- Accertarsi che i cavi del prodotto non sono in una posizione in cui possono danneggiarsi.

Per pulire il prodotto

- Pulire le parti in plastica con un panno pulito e asciutto.
- Non utilizzare acqua per pulire il prodotto. L'acqua può penetrare nella batteria o nel motore e causare un corto circuito o danni al prodotto.

- Non utilizzare una lancia ad alta pressione per pulire il prodotto.
- Non dirigere getti d'acqua sul motore.
- Utilizzare una spazzola per rimuovere foglie, erba e sporcizia.

Per pulire la batteria e il caricabatterie



ATTENZIONE: Non pulire la batteria o il caricabatteria con acqua.

- Accertarsi che la batteria e il caricabatterie siano puliti e asciutti prima di inserire la batteria nel caricabatterie.
- Pulire i terminali della batteria con aria compressa o con un panno morbido e asciutto.
- Pulire le superfici della batteria e del caricabatterie con un panno morbido e asciutto.

Per controllare l'attrezzatura di taglio



AVVERTENZA: Per evitare l'avviamento accidentale, ruotare la chiave di sicurezza su 0, rimuovere la batteria e attendere almeno 5 secondi.



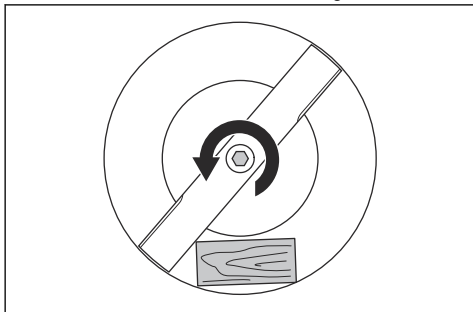
AVVERTENZA: Indossare guanti protettivi quando si esegue la manutenzione dell'attrezzatura di taglio. La lama è molto affilata e ci si può ferire facilmente.

1. Controllare l'attrezzatura di taglio per individuare danni o crepe. Sostituire sempre l'attrezzatura di taglio danneggiata.
2. Osservare la lama per controllare che non sia danneggiata o usurata.

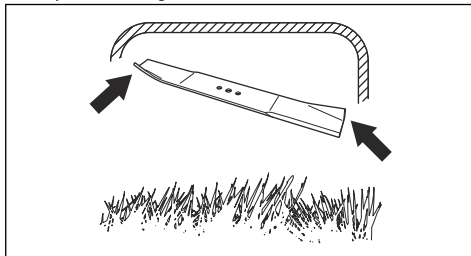
Nota: Dopo l'affilatura la lama deve essere bilanciata. Rivolgersi a un centro assistenza per l'affilatura, la sostituzione e il bilanciamento. Se si urta un ostacolo che provoca l'arresto del prodotto, sostituire la lama danneggiata. Il centro di assistenza può valutare se la lama può essere affilata o deve essere sostituita.

Per rimuovere e sostituire la lama

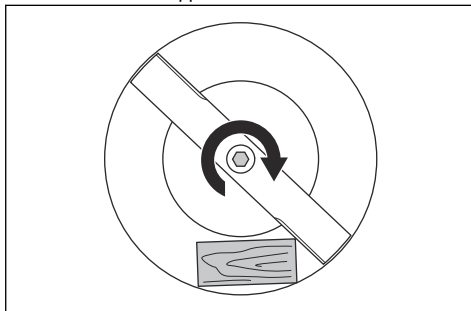
1. Bloccare la lama con un blocco di legno.



2. Rimuovere il bullone della lama.
3. Rimuovere la lama.
4. Esaminare il supporto e il bullone della lama per verificare la presenza di eventuali danni.
5. Esaminare l'albero motore per accertarsi che non sia piegato.
6. Quando si fissa la nuova lama, assicurarsi che le estremità inclinate della lama puntino in direzione del coperchio di taglio.



7. Assicurarsi che la lama sia allineata con il centro dell'albero motore.
8. Bloccare la lama con un blocco di legno. Inserire la rondella reggispinga, quindi serrare il bullone e la rondella a una coppia di 23-28 Nm.



9. Girare manualmente la lama per verificare che possa ruotare liberamente.



AVVERTENZA: Utilizzare dei guanti da lavoro spessi. La lama è molto affilata e ci si può ferire facilmente.

10. Avviare il prodotto per eseguire una prova di taglio. Se la lama non è collegata correttamente, si verificano delle vibrazioni nel prodotto o il risultato del taglio è insoddisfacente.

Ricerca guasti

Batteria

LED della batteria	Possibili guasti	Possibile procedura
Il LED verde lampeggia	La tensione della batteria è bassa	Caricare la batteria. Vedere <i>Per caricare la batteria alla pagina 326</i> .

LED della batteria	Possibili guasti	Possibile procedura
Il LED di errore lampeggia	La batteria è debole	Caricare la batteria. Vedere <i>Batteria alla pagina 330</i> .
	La temperatura nell'ambiente di lavoro è troppo alta o troppo bassa	Utilizzare la batteria a una temperatura compresa tra -10°C e 40°C.
	Sovratensione	Controllare che la tensione di rete corrisponda a quella indicata sull'etichetta del prodotto Rimuovere la batteria dal caricabatterie. Attendere 5 secondi e riprovare a caricare la batteria. Se il problema persiste, contattare un'officina autorizzata.
Il LED di errore è acceso	Differenza troppo elevata nella cella (1 V)	Contattare un'officina autorizzata.

Caricabatterie

LED del caricabatterie	Possibili guasti	Possibile procedura
Il LED di errore lampeggia	La temperatura nell'ambiente di lavoro è troppo alta o troppo bassa	Utilizzare il caricabatterie a una temperatura compresa tra 5°C e 40°C.
Il LED di errore è acceso		Contattare un'officina autorizzata

Pannello di comando

Tastiera	Codice di errore (Numero di lampeggi)	Possibili guasti	Possibile soluzione
Il LED di errore lampeggia	3	Il motore è sovraccarico	Aumentare l'altezza di taglio. Vedere <i>Per impostare l'altezza di taglio alla pagina 325</i> .
	5	La velocità del motore diminuisce eccessivamente e il motore si arresta	
	10	Il comando del motore è troppo caldo	Arrestare il motore e attendere che si raffreddi
	2	La lama è bloccata	Per evitare l'avviamento accidentale, ruotare la chiave di sicurezza su 0, rimuovere la batteria e attendere almeno 5 secondi. Accertarsi che la lama possa ruotare liberamente. Se il problema persiste, contattare un'officina autorizzata.
	9	Errore batteria o nessun segnale dalla batteria	Inserire correttamente la batteria nel prodotto e controllare il connettore della batteria. Se il LED di errore della batteria lampeggia. Vedere <i>Batteria alla pagina 325</i> .
Il prodotto si arresta	8	La batteria è debole	Caricare la batteria. Vedere <i>Per caricare la batteria alla pagina 326</i> .
	0	Guasto del connettore della batteria	Esaminare il connettore della batteria

Tastiera	Codice di errore (Numero di lam- peggi)	Possibili guasti	Possibile soluzione
Altri errori	Se si verificano altri errori, ruotare la chiave di sicurezza su 0, rimuovere la batteria e rivolgersi a un'officina autorizzata.		

Trasporto, stoccaggio e smaltimento

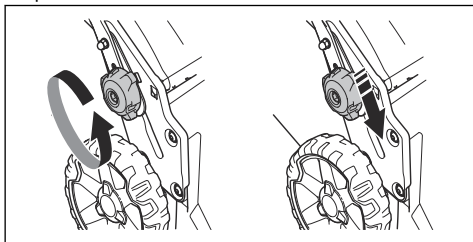
Introduzione



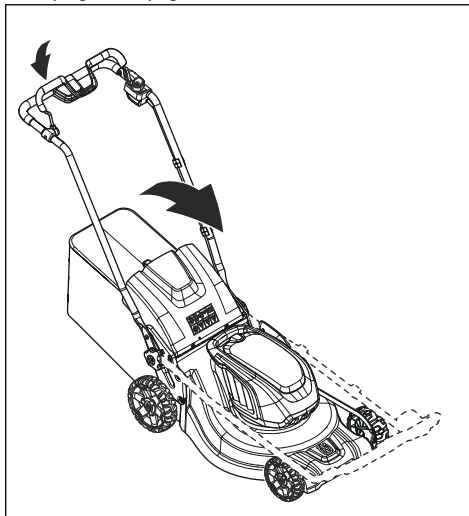
AVVERTENZA: Per evitare l'avviamento accidentale durante il trasporto, ruotare la chiave di sicurezza su 0, rimuovere la batteria e attendere almeno 5 secondi.

Disposizione del prodotto in posizione di trasporto

1. Allentare le manopole inferiori.
2. Spostare le manopole verso l'estremità inferiore delle scanalature dei lati sinistro e destro del prodotto.



3. Ripiegare l'impugnatura in avanti.



4. Rimuovere il raccoglierba.

Trasporto

- I requisiti di legge sulle merci pericolose si applicano alle batterie agli ioni di litio incluse.
- Rispettare i requisiti speciali riportati sulla confezione e sulle etichette per il trasporto commerciale.
- Durante la preparazione al trasporto del prodotto, attenersi alle normative relative ai materiali pericolosi. Possono essere in vigore alcune normative locali.
- Rimuovere sempre la batteria per il trasporto.
- Applicare del nastro sui connettori della batteria e assicurarsi che la batteria rimanga fissa in posizione durante il trasporto.
- Fissare il prodotto durante il trasporto.

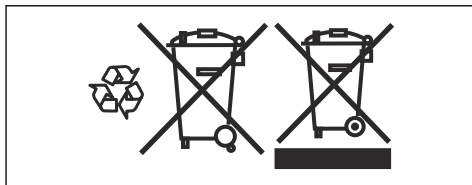
Conservazione

- Rimuovere sempre la batteria per lo stoccaggio.
- Per evitare incidenti, assicurarsi che la batteria non sia collegata al prodotto una volta riposto.
- Conservare il caricabatterie in un ambiente chiuso e asciutto.

- Conservare la batteria e il caricabatterie in un luogo asciutto, privo di umidità e protetto dal gelo.
- Scollegare la batteria dal caricabatterie durante lo stoccaggio.
- Non conservare la batteria in aree elettricamente statiche. Non conservare mai la batteria in una scatola di metallo.
- Conservare la batteria a una temperatura compresa tra 5 °C e 25 °C e non esposta alla luce del sole.
- Conservare il caricabatterie a una temperatura compresa tra 5 °C e 45 °C e non esposto alla luce del sole.
- Accertarsi che la batteria sia carica al 30% - 50% prima di riporla per lunghi periodi.
- Conservare il prodotto, la batteria e il caricabatterie in un luogo chiuso a chiave, fuori dalla portata di bambini e di persone non autorizzate.
- Pulire il prodotto ed eseguire una manutenzione completa prima di riporlo per lunghi periodi.

domestico. Deve essere portato presso un centro di raccolta specializzato nel recupero di apparecchiature elettriche ed elettroniche.

Trattando questo prodotto correttamente, si contribuisce a contrastare il potenziale impatto negativo sull'ambiente e sulle persone che può altrimenti sortire da una gestione impropria del prodotto come rifiuto. Per informazioni più dettagliate sul riciclaggio di questo prodotto, contattare l'autorità municipale, il servizio rifiuti domestici o il punto vendita in cui è stato acquistato.



Smaltimento

I simboli sul prodotto o sull'imballaggio indicano che il presente prodotto non può essere trattato come rifiuto

Dati tecnici

Dati tecnici

	LC 247IX/LC 247I	LC 347IVX/LC 347IV	LC 353IVX/LC 353IV
Motore di taglio			
Tipo di motore	BLDC (senza spazzole) 36V	BLDC (senza spazzole) 36V	BLDC (senza spazzole) 36V
Velocità del motore – SavE, giri/min	2600	2600	2600
Velocità del motore – Nominale, giri/min	3000	3000	3000
Velocità del motore – Carico elevato, giri/min	3500	3500	3500
Potenza del motore - max kW	0,96	0,96	1,05
Potenza del motore - Nominale, kW	0,75	0,75	0,9
Motore principale			
Potenza del motore - Nominale, kW	N/A	0,25	0,25
Velocità conduzione automatica, km/h	N/A	3,0 - 4,5	3,0 - 4,5
Livelli di regolazione della velocità	N/A	4	4
Peso			
Peso senza batteria, kg	24	26	28
Batteria			
Tipo di batteria	Serie a batteria Husqvarna	Serie a batteria Husqvarna	Serie a batteria Husqvarna
Prestazione della batteria			

	LC 247iX/LC 247i	LC 347iVX/LC 347iV	LC 353iVX/LC 353iV
Prestazione della batteria, min. (free run) con modalità SavE attivata, con una batteria Husqvarna da 5,2 Ah (BLi200).	43	43	32
Prestazione della batteria, min. (free run) con modalità standard attivata, con una batteria Husqvarna da 5,2 Ah (BLi200).	30	30	20
Emissioni di rumore ³⁷			
Livello acustico, misurato dB(A)	94	94	97
Livello acustico, garantito L _{WA} dB(A)	95	95	98
Livelli di rumorosità ³⁸			
Livello di pressione acustica all'orecchio dell'operatore, dB(A)	82	82	86
Livelli di vibrazioni ³⁹			
Impugnatura, m/s ²	0,42	0,42	2,64
Attrezzatura di taglio			
Altezza di taglio, mm	20-75 mm	20-75 mm	20-75 mm
Larghezza di taglio, cm	47	47	53
Lama standard	Raccolta 5905934-10	Raccolta 5905934-10	Raccolta 5940757-10
Accessorio lama	Pacciamatura 5907010-10	Pacciamatura 5907010-10	Pacciamatura 5950072-10
Capacità del sacco raccogliherba, litri	55	55	60

Dati di frequenza radio per Bluetooth®	LC 247iX	LC 347iVX	LC 353iVX
Banda di frequenza, GHz	2,4-2,4835	2,4-2,4835	2,4-2,4835
Potenza di uscita, dBm max.	4	4	4

Batterie approvate	Tipo	Capacità batteria, Ah	Tensione V	Peso, lb/kg
BLi20	Ioni di litio	4,0	36	2,6/1,2
BLi30	Ioni di litio	7,7	36	4,2/1,9
BLi200	Ioni di litio	5,2	36	2,8/1,3

³⁷ Emissioni di rumore nell'ambiente misurate come potenza sonora (L_{WA}) in base alla direttiva CE 2000/14/CE.

³⁸ I dati riportati per il livello di pressione acustica hanno una dispersione statistica tipica (deviazione standard) di 1,2 dB(A).

³⁹ I dati riportati per il livello di vibrazioni presentano una dispersione statistica tipica (deviazione standard) di 0,2 m/s². Vibrazioni standard EN 60335-2-77:2017 capitolo 20.105

Batterie approvate	Tipo	Capacità batteria, Ah	Tensione V	Peso, lb/kg
BLi300	Ioni di litio	9,4	36	4,1/1,9

Caricabatteria omologati per le batterie specificate, BLi	Tensione di entrata, V	Frequenza, Hz	Potenza, W
QC80	100-240	50-60	80
QC80F	12	0	80
QC250	100-240	50-60	250
QC330	100-240	50-60	330
QC500	100-240	50-60	500

Dichiarazione di conformità CE

Dichiarazione di conformità CE

Husqvarna AB, SE-561 82 Huskvarna, Svezia, tel.: +46-36-146500, dichiara che il **rasaerba Husqvarna LC 247i, LC 247iX, LC 347iV, LC 347iVX, LC 353iV, LC 353iVX**, a partire dall'anno 2018, è conforme alle norme previste nelle seguenti DIRETTIVE DEL CONSIGLIO:

- dell'8 giugno 2011 sulla "restrizione dell'uso di determinate sostanze pericolose" **2011/65/UE**
- del 17 maggio 2006 "sulle macchine" **2006/42/CE**
- dell'8 maggio 2000 "sulle emissioni di rumore nell'ambiente" **2000/14/CE**

Per informazioni sulle emissioni acustiche, vedere la sezione *Dati tecnici alla pagina 333*.

Sono state applicate le seguenti norme:

EN/IEC 60335-1, EN/IEC 60335-2-77, EN/IEC 62233, EN 55014-1, EN ETSI 301 489-7 v1.3.1, EN 61000-6,

ETSI EN 61000-6-1, EN 300 328 BT low energy Tx/Rx, EN 50581

Se non diversamente specificato, le norme sopra elencate sono le ultime versioni pubblicate.

Organo competente: **0404, RISE SMP Svensk Maskinprovning AB, Box 7035, SE-750 07 Uppsala** ha effettuato la valutazione di conformità ai sensi della direttiva 2000/14/CE, allegato VI.

Huskvarna, 2020-04-22



Claes Losdal, Responsabile sviluppo/Prodotti per il giardino (rappresentante autorizzato per Husqvarna AB e responsabile della documentazione tecnica)

Marchi registrati

Il marchio denominativo e i logo *Bluetooth®* sono marchi registrati di proprietà di *Bluetooth SIG, inc.* e qualsiasi utilizzo di tali marchi da parte di Husqvarna è soggetto a licenza.

目次

はじめに.....	337	トラブルシューティング.....	355
安全性.....	340	搬送、保管、廃棄.....	357
組立.....	348	主要諸元.....	358
Operation(動作).....	349	EC 適合宣言.....	361
メンテナンス.....	353	登録商標.....	361

はじめに

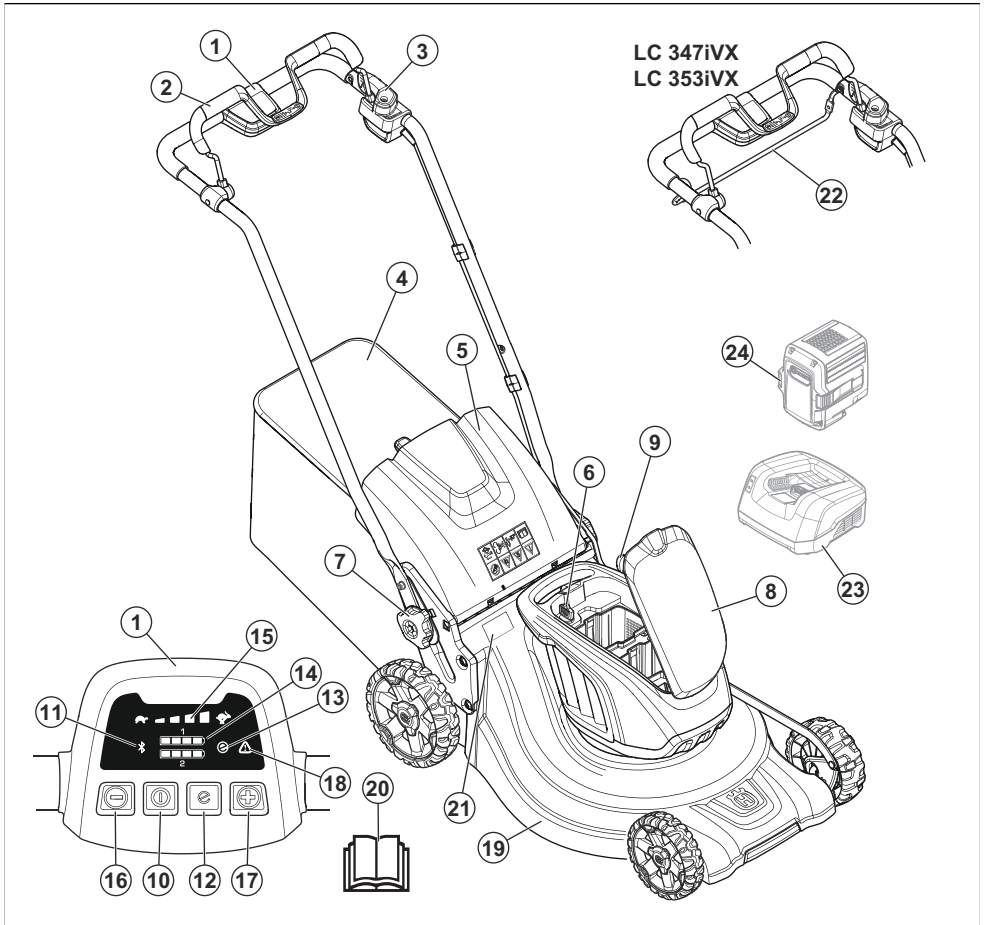
製品の説明

本製品は、手押し式ロータリー芝刈機です。芝はグラスキャッチャーに収集されます。芝を後方排出方式にするには、グラスキャッチャーを取り外してください。刈った芝を肥料にするにはマルチキット (アクセサリー) を取り付けてください。

用途

本製品は芝刈り用です。他の作業に本製品を使用しないでください。

製品の概要



- | | |
|-------------------------------|--|
| 1. コントロールパネル | 15. 速度レベルインジケータ (LC 347iV, LC 347iVX, LC 353iV, LC 353iVX) |
| 2. モーターブレーキハンドル | 16. 減速ボタン (LC 347iV, LC 347iVX, LC 353iV, LC 353iVX) |
| 3. 始動抑制装置 | 17. 加速ボタン (LC 347iV, LC 347iVX, LC 353iV, LC 353iVX) |
| 4. グラスキャッチャー | 18. エラー LED |
| 5. 後部カバー | 19. カッティングカバー |
| 6. 安全キー | 20. 取扱説明書 |
| 7. ハンドルノブ | 21. 銘板 |
| 8. バッテリーカバー | 22. ドライブベイル (LC 347iV, LC 347iVX, LC 353iV, LC 353iVX) |
| 9. 刈高制御 | 23. バッテリー充電器 (別売り) |
| 10. オン / オフボタン | 24. バッテリー (別売り) |
| 11. Bluetooth® ワイヤレス技術のインジケータ | |
| 12. SavE ボタン | |
| 13. SavE インジケータ | |
| 14. バッテリーインジケータ | |

製品に表記されるシンボルマーク



警告！十分に注意し、本製品を正しく使用してください。本製品により、操作者や付近にいる人が重傷を負う、または死亡するおそれがあります。



この取扱説明書をよくお読みになり、内容をしっかりと把握したうえで、使用してください。



作業領域からは人や動物との安全な距離を保ってください。



飛び散ったり跳ね返ってくる物体に気をつけてください。



警告：回転しているブレードに手や足を近づけないでください。



警告：回転部品に手や足を近づけないでください。



修理やメンテナンスを行う前に、安全キーを取り外してください。



雨が当たらないようにしてください。



本製品や本製品のパッケージは、一般廃棄物ではありません。電気・電子機器のリサイクル業者にリサイクルを依頼してください。



本製品は EC 指令適合製品です。



本製品はユーラシア関税同盟指令適合製品です。



本製品は UkrSEPRO 指令適合製品です。



本製品は RCM 指令適合製品です。オーストラリア / ニュージーランドのみ対象



環境に対する騒音レベルは EC 指令 2000/14/EC およびニューサウスウェールズの法規「Protection of the Environment Operations (Noise Control) Regulation 2017」に準拠しています。騒音排出データは、

本機のステッカーと主要諸元の章に記載されています。

IPX1 本製品は防滴対応です。

始動手順：オン / オフボタンを押して、始動抑制装置を外し、モーターブレーキハンドルを下方へ押します。



モーターブレーキハンドルを放すと、モーターは停止します。



低速



高速



スキャン用のコード

注記：本製品に付いている他のシンボル / 銘板は、一部の市場地

域に向けた認定条件を示します。

本製品のラベル



回転しているブレードに手や足を近づけないでください。

製造物責任

製造物責任法に基づき、当社は、次の場合については本製品を原因とする損傷について責任を負いません。

- 本製品が誤って修理された場合。
- メーカーによるものではない部品、またはメーカーの認可していない部品を使用して本製品を修理した場合。
- メーカーによるものではないアクセサリ、またはメーカーの認可していないアクセサリを本製品に使用した場合。
- 認定サービスセンターまたは認定機関で本製品が修理されていない場合。

安全性

安全性の定義

警告、注意、注記は、取扱説明書の特に重要な部分を示しています。



警告： 取扱説明書の指示に従わない場合、使用者が負傷したり、死亡したりするか、あるいは付近

の人に損傷を与える危険があることを意味します。



注意： 取扱説明書の指示に従わない場合、製品や他の物品、または隣接するエリアに損傷を与える

危険があることを意味します。

注記： 特定の状況で必要とされる詳細情報を提供するために使用されます。

一般的な安全注意事項



警告： 本製品を使用する前に、以下の警告指示をお読みください。

- 本製品は、慎重かつ適切に使用しないと、危険な道具となります。安全注意事項に従わないと、負傷や死亡事故が発生するおそれがあります。
 - 本製品では、運転中に電磁場が発生します。この電磁場は、ある条件下でアクティブ、またはパッシブな医療用インプラントに影響を及ぼすことがあります。深刻な傷害または致命傷の危険を避けるため、医療用インプラントを使用している方は、本製品を使用する前に主治医および医療用インプラントの製造元に相談することをお勧めします。
 - 常に常識に基づいて注意して使用してください。特殊な状況での本製品の操作方法がわからない場合、作業を続ける前に本製品を停止して、
- Husqvarna 販売店までご連絡ください。
- 第三者やその所有物が事故に関係する場合、その責任は、作業者にあることを忘れないでください。
 - 本製品は清潔に保ってください。標識やラベルがはっきりと読み取れるようにしてください。
 - 子供や使用方法に習熟していない人には本製品を使用させないでください。居住地の法規によっては、使用者の年齢制限がある場合があります。
 - 身体的、精神的にハンデを負った人が本製品を使用する場合は常に監視してください。責任を有する大人が常にそばにいる必要があります。
 - 疲労時、疾病時、アルコールや医薬品の影響が残っているときは、本製品を使用しないでください。視力、注意力、動作、判断力に悪影響を与えます。
 - 本製品に不具合がある場合は使用しないでください。
 - 本製品を改造しないでください。また、本製品が改造されている可能性がある場合は使用しないでください。

作業エリアの安全



警告： 本製品を使用する前に、以下の警告指示をお読みください。

- 本製品を使用する前に、大小の枝や石などの物体を作業範囲から取り除いてください。
- カutting装置にぶつかった物体がはじかれて、人が怪我をしたり物が損傷したりするおそれがあります。本製品から周囲の人や動物との安全な距離を保ってください。
- 霧、雨、強風、極寒、雷の危険などの悪天候下で本製品を使用しないでください。悪天候下や、湿気のある場所、濡れた場所で本製品を使用すると疲労します。悪天候の場合、路面が滑りやすくなるなど、危険な状態を引き起こすことがあります。
- 製品の安全な操作を妨げる可能性がある人、物、状況に注意してください。
- 根、石、小枝、窪み、溝などの障害物に注意してください。長い芝の中に障害物が隠れていることがあります。
- 斜面で芝を刈ることは危険を伴います。急斜面の芝を刈ることはできません。15°を超える斜面では本製品を使用しないでください。

- 斜面で向きを変える場合は、細心の注意を払ってください。斜面を横切りながら本製品を操作してください。上下に移動しないでください。
- 陰になった隅や視界を遮るものに近づくときは気を付けてください。

安全な作業



警告： 本製品を使用する前に、以下の警告指示をお読みください。

- 本製品は芝生刈りにのみ使用してください。他の作業には使用できません。
- 身体保護具を使用してください。使用者の身体保護具 343 ページを参照してください。
- 緊急時にモーターをすばやく停止する方法を必ず確認してください。
- 雨降りや湿潤な環境下で本製品を操作しないでください。本製品に水が入ると、感電の危険性が高まります。
- ブレードやすべてのカバーを適切に装着してから本製品を始動させてください。ブレードが適切に装着されていないと、緩んで、怪我をすることがあります。
- ブレードが石や根などの物体にぶつからないように気を付けてください。ブレードが損

- 傷したり、モーターシャフトが曲がったりするおそれがあります。シャフトが曲がると振動が激しくなり、ブレードが緩む危険性が非常に高くなります。
- ブレードが物に当たったり振動が発生したりした場合は、すぐに本製品を停止してください。モーターを停止し、安全キーを0の位置に回してバッテリーを取り外します。製品に損傷がないか点検します。損傷部を修復するか、正規サービス代理店に修理を依頼してください。
 - モーターの始動時は、モーターブレーキハンドルをハンドルに完全に固定しないでください。
 - 製品を平らで安定した面に置き、始動します。ブレードが地面やその他の物に触れないよう、注意してください。
 - 本製品の操作時は、必ず製品の後ろに立ってください。
 - 製品を操作するときは、すべてのホイールを地面につけ、両手でハンドルをつかんで操作してください。回転しているブレードに手や足を近づけないでください。
 - モーターの作動中は、本製品を傾けないでください。
 - 製品を後方に引くときは注意してください。
 - モーターの作動中は、本製品を持ち上げないでください。本製品を持ち上げる必要がある場合は、まずモーターを停止させ、安全キーを0の位置に回してバッテリーを取り外してください。
 - 本製品を操作するときは、後ろ向きに歩かないでください。
 - 砂利、石、アスファルトなど、芝面以外の領域を横切るときは、モーターを停止してください。
 - モーターの作動中は、本製品を操作しながら走らないでください。製品を操作するときは、必ず歩いてください。
 - 刈高を変更する場合は、まずモーターを停止してください。モーターが作動している状態での調整は決して行わないでください。
 - モーターが作動している状態で、見えない場所に製品を放置しないでください。モーターを停止し、カッティング装置が回転していないことを確認してください。

操作のための安全注意事項

使用者の身体保護具



警告： 本製品を使用する前に、以下の警告指示をお読みください。

- 身体保護具で怪我を完全に防止できるわけではありませんが、万が一事故が起こった場合、負傷の度合いを軽減することができます。適切な保護具の選択については、販売店にご相談ください。
- 丈夫で滑りやすいブーツや靴を着用してください。開放部の多い靴を使用したり、裸足で作業を行ったりしないでください。
- 厚手の長ズボンを着用してください。
- カutting装置の取り付け、点検、清掃を行う場合は、必要に応じて保護グローブを着用してください。

- カuttingカバーを点検して、亀裂などの損傷がないことを確認してください。

安全キー

安全キーはバッテリーの蓋の下にあります。安全キーは、電源を供給するバッテリーとモーターを接続します。

- 安全キーを点検するには、モーターを始動および停止します。
- 安全キーが正しく機能している場合は、安全キーが1の位置にあるときにのみモーターが始動します。

本製品の安全装置

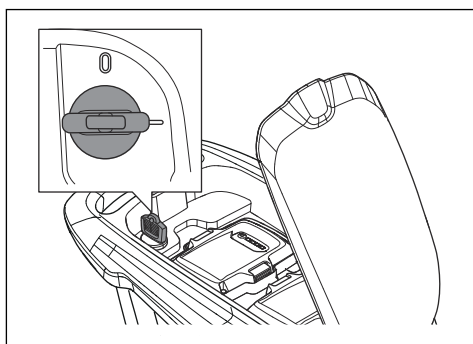


警告： 本製品を使用する前に、以下の警告指示をお読みください。

- 安全装置に欠陥のある製品は使用しないでください。
- 安全装置は定期的に点検してください。安全装置に欠陥がある場合は、Husqvarna サービス代理店にご相談ください。

カuttingカバーの点検方法

カuttingカバーは、本製品の振動を抑え、ブレードで負傷する危険性を低減します。

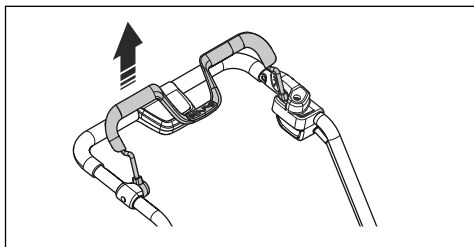


モーターブレーキハンドル

モーターブレーキハンドルは、モーターを停止させるためのものです。モーターブレーキハンドルを放すと、モーターが停止します。

モーターブレーキを点検するには、モーターを始動してから、モーターブレーキハンドルを放します。モーターが3秒で停止

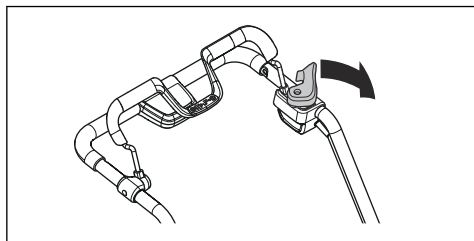
しない場合は、Husqvarna の認証サービス代理店にモーターブレーキの調整を依頼してください。



始動抑制装置の点検

始動抑制装置を点検して、モーターの作動を抑制することを確認します。

1. ハンドルバーの方向にモーターブレーキハンドルを押します。始動抑制装置により動きが停止します。
2. 始動抑制装置を押します。



3. 始動抑制装置を放して、最初の位置に戻ることを確認します。

バッテリーの安全



警告： 本製品を使用する前に、以下の警告指示をお読みください。

- Husqvarna 充電式バッテリーは、対応する Husqvarna 製品の電源としてのみ使用してください。負傷を防止するため、他の装置の電源は使用しないでください。
- 充電式ではないバッテリーは使用しないでください。
- 感電するおそれがあります。バッテリーの端子を鍵や硬貨、ネジや他の金属に接触させないでください。バッテリーが短絡する原因になります。
- バッテリーのエアスロットに物が入らないようにしてください。
- バッテリーは直射日光や熱、裸火から保護してください。バッテリーが爆発して、やけどや化学熱傷を負うおそれがあります。
- バッテリーは雨や湿気から保護してください。
- バッテリーは電子レンジや高圧から保護してください。
- バッテリーを分解もしくは粉砕しないでください。
- バッテリーから漏れが発生した場合、身体や目に液体が触れないようにしてください。液体が人体に触れた場合は、触れた個所を大量の水で洗い流して、医療機関に相談してください。
- バッテリーは -10°C ~ 40°C の温度で使用してください。

- バッテリーまたはバッテリー充電器は、水で洗淨しないでください。バッテリーとバッテリー充電器の清掃方法 354 ページを参照してください。
- 不具合や損傷のあるバッテリーは使用しないでください。
- バッテリーは、くぎ、硬貨、宝飾品などの金属から遠ざけて保管してください。

バッテリー充電器の安全性



警告： 本製品を使用する前に、以下の警告指示をお読みください。

- Husqvarna 交換用バッテリーの充電には、QC バッテリー充電器のみを使用してください。
- 感電や短絡のおそれがあります。充電器のエアスロットに物が入らないようにしてください。バッテリー充電器を分解しないでください。充電器の端子を金属物体へ接触させないでください。認定された主電源ソケットを使用してください。
- 本製品では、運転中に電磁場が発生します。この電磁場は、ある条件下でアクティブ、またはパッシブな医療用インプラントに影響を及ぼすことがあります。深刻な傷害または致命傷の危険を避けるため、医療用インプラントを使用している方は、本製品を使用する前に主治医および医療用インプラントの製造元に相談することをお勧めします。
- 定期的に充電器の電源コードを点検し、破損や亀裂がないことを確認してください。
- 電源コードを持ってバッテリー充電器を持ち上げないでください。主電源ソケットからバッテリー充電器を取り外す際は、プラグを引っ張ってください。電源コードを引っ張らないでください。
- 電源コードと延長ケーブルが、水や油、または尖った物に接触しないようにしてください。ドア、フェンスなどにケーブルが挟まっていないことを確認してください。充電器に通電する可能性があります。
- バッテリー充電器を、水で洗淨しないでください。
- このバッテリー充電器は、8 才以上の子供、身体的、知覚的、精神的障害のある方、または経験や知識のない方でも、バッテリー充電器の安全な使用に関する監督または指示を受け、関連する危険について理解すれば使用できます。充電器を小児の遊具にしないでください。クリーニングおよびメンテナンスは、保護者による監視のない限り、小児に行わせてはいけません。

- 充電不可能なバッテリーを本バッテリー充電器で充電しないでください。
- 可燃性の物質や、腐食の原因となる物質の近くでは、バッテリー充電器を使用しないでください。バッテリー充電器にカバーをかけないでください。煙や火災が発生した場合、バッテリー充電器の電源プラグをコンセントから引き抜いてください。
- 故障または破損したバッテリー充電器は使用しないでください。
- バッテリーは、通気がよく直射日光が当たらない室内でのみ充電してください。濡れた状態でバッテリーを充電しないでください。

メンテナンスのための安全注意事項



警告： 本製品を使用する前に、以下の警告指示をお読みください。

- メンテナンス中に誤って始動しないようにするために、安全キーを0の位置に回して、バッテリーを取り外します。5秒以上待ってから、メンテナンスを開始してください。
- 適切にメンテナンス作業を実施すると、製品の寿命が延び、事故のリスクを低減することができます。認定サービス代理店に専門的な修理を依頼してください。詳しくは、最寄りのサービス代理店までお問い合わせください。
- 本取扱説明書に記載されているメンテナンスのみを実施してください。本書に記載されている内容以外のメンテナンスは、必ず認定サービス代理店に依頼してください。
- カutting装置を取り扱う際は、丈夫な作業用手袋を着用してください。ブレードは非常に鋭利なため、切り傷を負う危険性があります。
- 最も安全で最良の性能を実現するために、Cuttingエッジを目立てし、清潔に保ってください。
- サービス代理店に本製品の定期検査を依頼し、必要な調整や修理を受けてください。
- 損傷、摩耗、破損した部品は交換してください。
- アクセサリーの交換は、手順に従って実施してください。純正のアクセサリーのみを使用してください。
- 操作しないときは、製品、バッテリー、バッテリー充電器を乾燥した、屋内の鍵のかかる場所に保管してください。子供や許可されていない人が、製品、バッテリー、バッテリー充電器

に近づけないようにしてください。

組立

はじめに



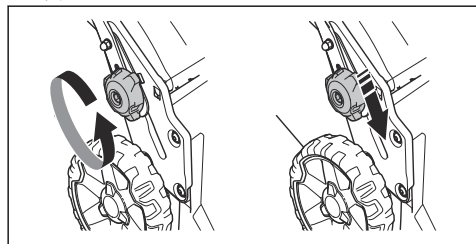
警告： 製品を組み立てる前に、安全の章をよく読んでください。



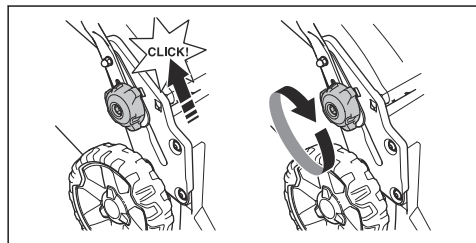
警告： 組み立て中に誤って始動しないようにするために、安全キーを0の位置に回し、バッテリーを取り外してから最低5秒間待ってください。

ハンドルの調節方法

1. 下側ノブを緩めます。
2. 本製品の左右にある溝の下端までノブを動かします。



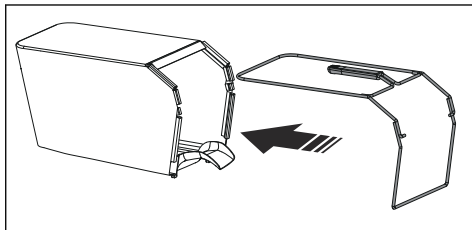
3. ハンドルを2つの高さのいずれかにセットします。
4. ノブをハンドル方向に、カチッと音がするまで上方に動かします。



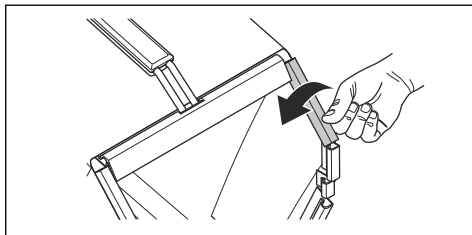
5. ノブを完全に締め込みます。

グラスキャッチャーの取り付け ()

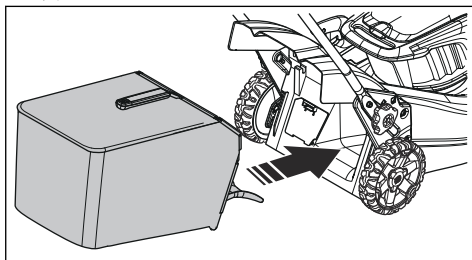
1. グラスキャッチャーフレームを、バッグ下部の硬質な部分に取り付けます。フレームのハンドルがグラスバッグの上になるようにします。



2. グラスキャッチャーフレームの下部をグラスキャッチャーの底の溝に取り付けます。
3. グラスバッグをグラスキャッチャーフレームにクリップで取り付けます。



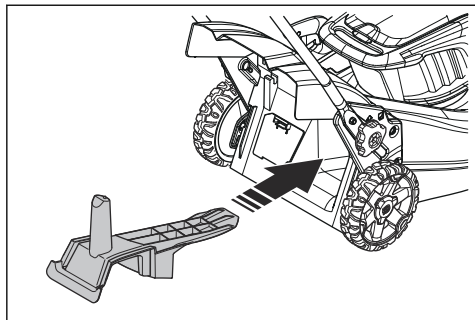
4. 後部カバーを持ち上げます。
5. グラスキャッチャーをシャーシの上端に取り付けます。
6. グラスキャッチャーの下部を芝の排出口に入れます。



マルチプラグ (別売り) の組み立て方法

1. 後部カバーを持ち上げてマルチプラグを取り外します。

2. 排出口にマルチプラグを取り付けます。



3. ブレードを、マルチキットに付属するマルチブレードに取り替えます。ブレードの取り外しと交換方法 355 ページを参照してください。

Operation (動作)

はじめに



警告： 本製品を操作する前に、安全に関する章をお読みになり、内容を理解してください。

Husqvarna Connect

Husqvarna Connect は、モバイルデバイス用の無料アプリです。Husqvarna Connect アプリは、お持ちの Husqvarna 製品の拡張機能を提供します。

- 拡張製品情報。
- 製品の部品とサービスに関する情報とヘルプ。

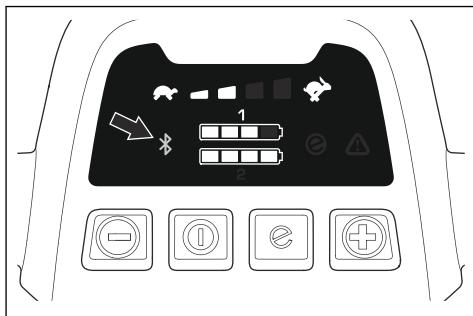
Husqvarna Connect の使い方

1. Husqvarna Connect アプリをモバイルデバイスにダウンロードします。
2. Husqvarna Connect アプリで登録を行います。
3. Husqvarna Connect アプリの指示に沿って、製品を接続して登録します。

Bluetooth® 情報 (LC 247iX, LC 347iVX, LC 353iVX)

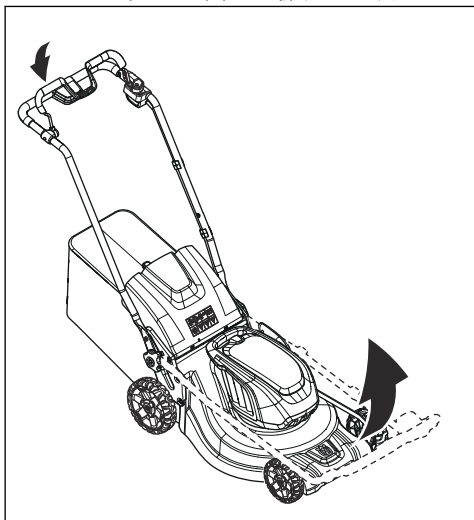
Bluetooth® ワイヤレス技術

モバイルデバイスを製品に接続すると、Bluetooth® ワイヤレス技術の記号が表示されます。

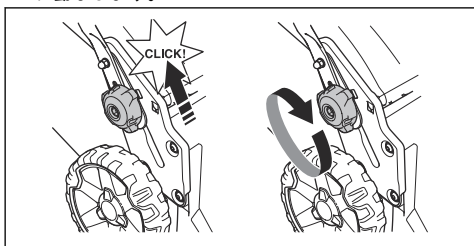


製品を操作位置にセットする方法

1. ハンドルを直立した位置まで折り畳みます。



2. ノブをハンドル方向に、カチッとするまで上方に動かします。



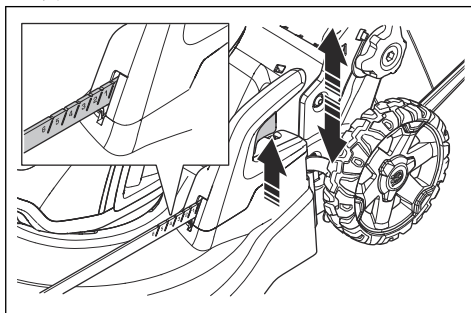
3. ノブを完全に締め込みます。

刈高の設定方法

刈高は 6 段階に調節できます。

1. 刈高を低くするには、刈高レバーを下方に動かします。

2. 刈高を高くするには、刈高レバーを上方に動かします。



注意： 刈高を低く設定しすぎないでください。芝生の表面が水平でない場合、ブレードが地面に当たるおそれがあります。

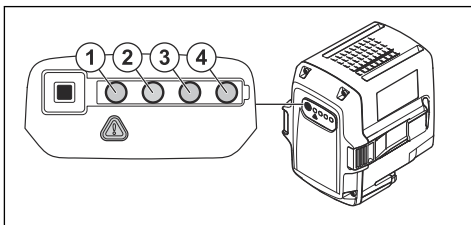
バッテリー



警告： バッテリーを使用する前に、安全に関する章をお読みになり、内容を理解してください。バッテリーおよびバッテリー充電器の取扱説明書もお読みになり、内容を理解してください。

バッテリーの状態

ディスプレイには、バッテリー残量やバッテリーに関する問題が表示されます。バッテリー容量は、本製品の電源がオフになった後あるいはバッテリーインジケータボタンが押された後に 5 秒間表示されます。エラーが発生すると、バッテリーに関する警告マークが点灯します。バッテリー 355 ページを参照してください。



LED ランプ	バッテリーの状態
すべての LED が点灯。	フル充電 (75 ~ 100%)
LED 1、LED 2、LED 3 が点灯	バッテリーは 50% ~ 75% 充電済み
LED 1、LED 2 が点灯	バッテリーは 25% ~ 50% 充電済み
LED 1 が点灯	バッテリーは 0% ~ 25% 充電済み。

LED ランプ	バッテリーの状態
LED 1 が点滅	バッテリーは空です。バッテリーを充電してください。

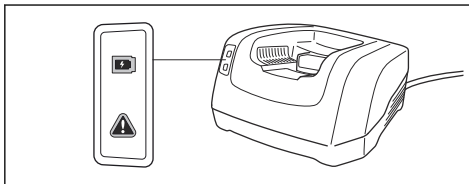
バッテリーの充電方法

初めて使用する前に、バッテリーを充電してください。お客様への出荷時、バッテリーは 30 % のみ充電されています。

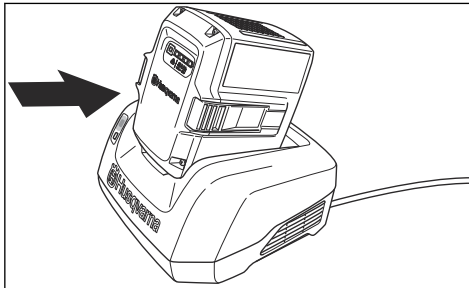
注記： バッテリー充電器は、銘板で指定された電圧と周波数の電源に接続する必要があります。

バッテリーの温度が 50°C を超えている場合は、バッテリーが充電されません。バッテリー充電器は、バッテリーの温度が下がってから充電を開始します。

1. バッテリー充電器用電源コードの片端をバッテリー充電器のソケットに接続します。
2. バッテリー充電器用電源コードのもう一方の端を、アースされている主電源ソケットに接続します。バッテリー充電器の LED が一度緑色で点滅します。



3. バッテリーをバッテリー充電器に取り付けます。バッテリーがバッテリー充電器に正しく接続されると、バッテリー充電器の緑色のランプが点灯します。



4. バッテリーの LED がすべて点灯したら、バッテリーはフル充電されています。バッテリーを最大 24 時間充電します。
5. 主電源ソケットからバッテリー充電器を取り外す際は、電源コードではなくプラグを引いてください。
6. バッテリー充電器からバッテリーを外します。

バッテリーの充電ステータス

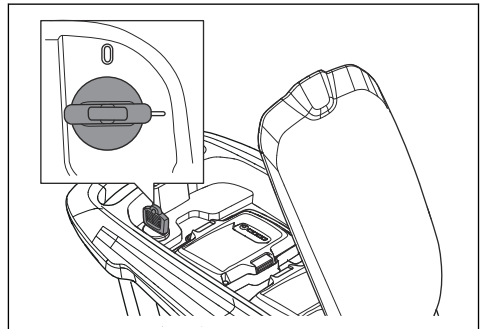
Husqvarna リチウムイオンバッテリーは、充電レベルに関係なく充電や使用が可能です。バッテリーは破損しません。フル充電されたバッテリーを充電器に入れたまま

にしてもバッテリーの電力が低減することはありません。

LED 表示	充電の状態
LED 1 が点滅	0% ~ 25%
LED 1 が点灯、LED 2 が点滅	25% ~ 50%
LED 1、LED 2 が点灯、LED 3 が点滅	50% ~ 75%
LED 1、LED 2、LED 3 が点灯、LED 4 が点滅	75% ~ 100%
LED 1、LED 2、LED 3、LED 4 が点灯。	フル充電済み

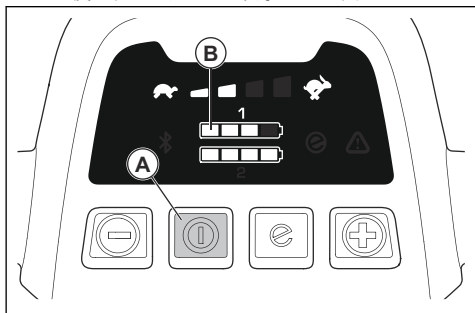
本製品の始動方法

1. バッテリーカバーを開けます。
2. 充電済みバッテリーをバッテリーホルダーのいずれかに入れます。動作時間を長くするには、2 つ目の充電したバッテリーをもう一方のバッテリーホルダーに入れます。
3. 安全キーを 1 に回します。

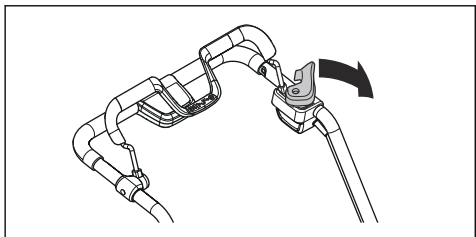


4. 製品の後ろに立ってください。

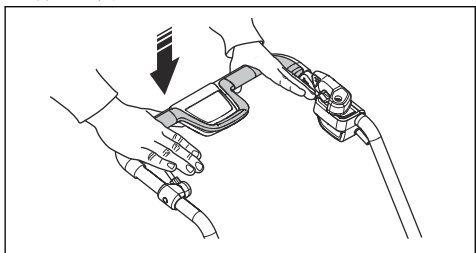
5. コントロールパネルのオン / オフボタン (A) を押します。ディスプレイが点灯します。バッテリーインジケータ (B) は、2つのバッテリーの充電状態を示します。バッテリーインジケータの横に、使用中のバッテリーの数が表示されます。モデル LC 347iV, LC 347iVX, LC 353iV, LC 353iVX では、設定速度もディスプレイに表示されます。



6. 始動抑制装置を緩めます。

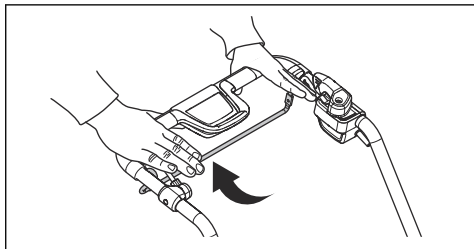


7. ハンドルバーの方向にモーターブレーキハンドルを押します。

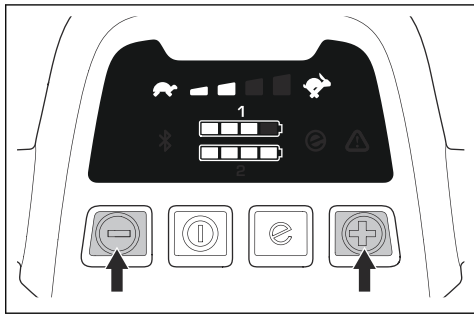


ドライブホイールの使用 LC 347iV, LC 347iVX, LC 353iV, LC 353iVX

- ハンドルバーの方向にドライブペダルを引き、ドライブを開始します。



- コントロールパネルの + と - を押すことで、ドライブの速度を 4 段階に設定できます。

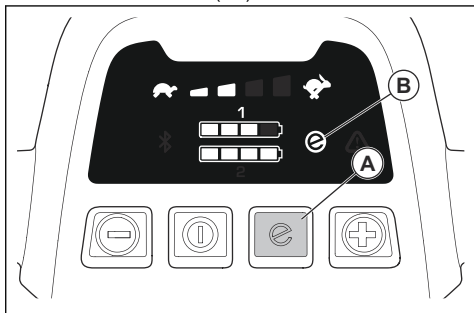


- 障害物に近づいたときなどは、ドライブペダルを放してドライブを解除します。

機能の使用法

本製品には、長時間の動作を実現するバッテリー節約機能 () が備わっています。

- ボタン (A) を押すと、この機能が始動します。ディスプレイにマーク (B) が表示されます。
- もう一度 ボタンを押すと、機能が停止します。ディスプレイ上のマーク (B) が消えます。



地面の状態に応じて高い出力が必要になると、機能は自動的に停止します。機能は、地面の状態により、自動的に再開されます。

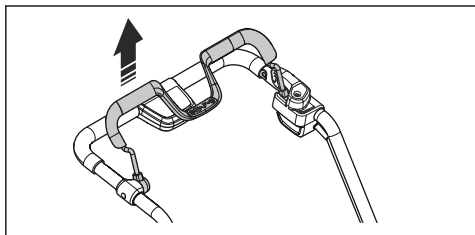
高負荷機能

長い芝や濡れた芝を刈り取る時は、モーターの回転数が自動的に増加します。高負荷が不要になると、モーターは標準モードに戻ります。

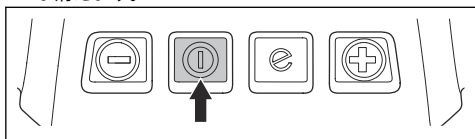
本製品を停止するには

10分間操作しないと、本製品は自動的に停止します。目の届かないところに本製品を置く場合は、必ず安全キーを0の位置に回してください。

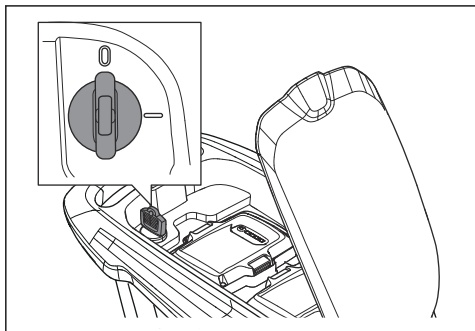
1. モーターブレーキハンドルを放すと、モーターは停止します。



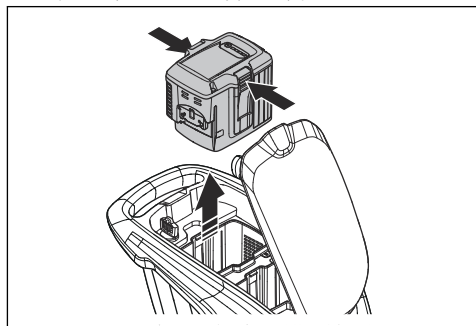
2. コントロールパネルのオン/オフボタンを押します。ディスプレイのすべてのLEDライトとマークが消えます。



3. バッテリーの蓋を開いて、安全キーを0の位置に回します。



4. バッテリーを取り外すには、2つの解除ボタンを押して、バッテリーを引き出します。



5. バッテリーの充電が不足している場合は、充電してください。詳しくは、「バッテリーの充電方法 351 ページ」を参照してください。

良好に芝を刈る方法

- 必ず鋭利なブレードを使用してください。ブレードが鈍っていると、刈り取りにばらつきが出て、芝の切口が黄びみます。鋭利なブレードを使用すると、鈍いブレードを使用した場合より労力が少なく済みます。
- 芝の長さの $\frac{1}{3}$ 以上刈らないでください。まず刈高を高く設定して刈ります。結果を確認し、必要なレベルまで刈高を下げます。芝がかなり長い場合は、ゆっくり運転し、必要に応じて刈り取り作業を2回行ないます。
- 1回目と2回目は別の方向に向かって刈り、芝面に筋がつかないようにします。

グラスキャッチャーやマルチプラグを取り付けずに芝を刈る方法

- 後部カバーを持ち上げてグラスキャッチャーを取り外します。
- マルチプラグとマルチブレードが取り付けられている場合は、取り外します。
- 製品を操作する前に、後部カバーを閉じてください。

製品を操作すると、刈り取られた芝が後部カバーの下に排出されます。

メンテナンス

はじめに



警告： メンテナンスを行う前に、安全に関する章をお読みになり、内容を理解してください。

本製品のすべての整備と修理作業には、特別な訓練が必要です。当社では責任をもって専門的な修理と整備作業を提供します。お客様の販売店がサービス代理店でない場合は、最寄りのサービス代理店に関する情報をお問い合わせください。

メンテナンススケジュール

メンテナンス間隔は、本製品が毎日使用されることを前提に算出されています。本製品を毎日使用しない場合は、メンテナンス間隔が変わります。

「*」の付いているメンテナンスについては、「操作のための安全注意事項 343 ページ」を参照してください。

	使用した つど	毎月	季節ごと
一般点検の実施	X		
製品の洗浄	X		
始動抑制装置の点検*	X		
本製品の安全装置に不具合がないことを確認*	X		
カッティング装置の点検	X		
カッティングカバーの点検*	X		
モーターブレーキハンドルの点検*	X		
オン / オフボタンが正しく機能し、不具合がないことを確認	X		
バッテリーに損傷がないかの点検	X		
バッテリー充電の点検	X		
バッテリーリリースボタンが正常に作動し、本製品にバッテリーをロックできるか確認	X		
バッテリー充電器に損傷がないか調べ、正しく作動することを確認します。		X	
バッテリーと本製品の接続部を点検します。バッテリーとバッテリー充電器の接続部も確認します。			X

一般点検の実施方法

- 製品のナットとネジが締め込まれていることを確認してください。
- 製品のケーブルが損傷しやすい場所に配置されていないことを確認してください。

製品の清掃方法

- プラスチック部品は清潔で乾燥した布で清掃してください。
- 本製品を水で洗浄しないでください。バッテリーやモーターに水が浸入して、本製品が短絡したり、破損したりする原因となります。
- 本製品の清掃には高圧水を使用しないでください。
- モーターに直接水をかけないでください。
- ブラシで、葉、草、土を取り除いてください。

バッテリーとバッテリー充電器の清掃方法



注意： バッテリーまたはバッテリー充電器は、水で洗浄しないでください。

- バッテリーをバッテリー充電器にセットする前に、バッテリーとバッテリー充電器に汚れがなく、乾燥していることを確認してください。
- 圧縮空気を使用してバッテリー端子を清掃するか、柔らかい乾いた布で拭いてください。
- バッテリーとバッテリー充電器の表面を柔らかい乾いた布で拭いてください。

カッティング装置の点検方法



警告： 誤って始動しないようにするために、安全キーを 0 の位置に回し、バッテリーを取り外してから最低 5 秒間待ってください。



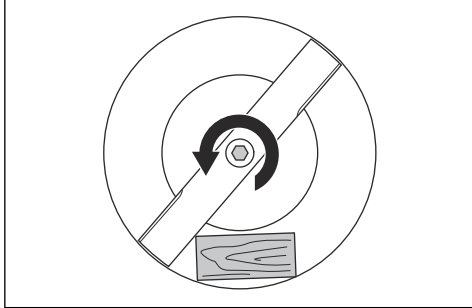
警告： カッティング装置のメンテナンスを実施するときは、保護グローブを着用してください。ブレードは非常に鋭利なため、切り傷を負う危険性があります。

- カッティング装置に損傷やひび割れがないかどうか点検してください。損傷したカッティング装置は必ず交換してください。
- ブレードが破損していないか、鈍くなっていないかを確認してください。

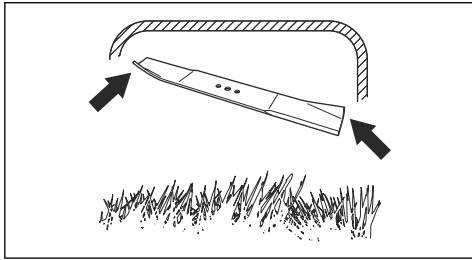
注記： ブレードの目立て後は、ブレードのバランス調整が必要です。サービスセンターに依頼して、ブレードの目立て、交換、バランス調整を受けてください。製品が障害物に当たって停止した場合は、破損したブレードを交換してください。サービスセンターに依頼して、ブレードの目立てが可能かどうか、交換が必要かどうかを判断してもらってください。

ブレードの取り外しと交換方法

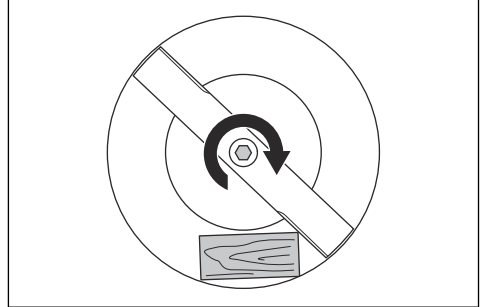
- ブレードを木製ブロックでロックします。



- ブレードボルトを取り外します。
- ブレードを外します。
- ブレードサポートとブレードボルトに破損がないかどうか点検します。
- モーターシャフトが曲がっていないかどうか点検します。
- 新しいブレードを取り付けるときは、角度がついたブレードの端の部分をカッティングカバー方向に向けます。



- ブレードがモーターシャフトの中心と合っていることを確認します。
- ブレードを木製ブロックでロックします。スプリングワッシャーを取り付け、ボルトとワッシャーを23-28 Nmのトルクで締め付けます。



- 手でブレードを引き回して、引っかかりなく回転することを確認します。



警告： 丈夫な作業用手袋を着用してください。ブレードは非常に鋭利なため、切り傷を負う危険性があります。

- 製品を始動してブレードのテストを実施します。ブレードが正しく取り付けられていない場合、製品に振動が発生するが、良好な刈り取り結果を得られません。

トラブルシューティング

バッテリー

バッテリーのLED	想定される障害	可能な手順
緑色のLED点滅	バッテリー電圧の低下	バッテリーの充電。バッテリーの充電方法 351 ページを参照してください。

バッテリーのLED	想定される障害	可能な手順
エラーLEDが点滅	バッテリーが弱い	バッテリーの充電。バッテリー 355 ページを参照してください。
	作業環境の温度が高すぎる、または低すぎる	バッテリーは -10°C ~ 40°C の温度で使用してください。
	過電圧	主電源電圧が、本製品の銘板に記載された電圧と同じかどうか確認してください。 バッテリー充電器からバッテリーを外します。5秒待ってから、もう一度バッテリーを充電してください。問題が解決しない場合は、認定サービス代理店に相談してください。
エラーLEDが点灯	電池の電位差が大きすぎる (1V)	認定サービス代理店に相談してください。

バッテリー充電器

バッテリー充電器のLED	想定される障害	可能な手順
エラーLEDが点滅	作業環境の温度が高すぎる、または低すぎる	5°C ~ 40°C の温度でバッテリー充電器を使用してください。
エラーLEDが点灯		認定サービス代理店に相談

コントロールパネル

キーパッド	エラーコード(点滅回数)	想定される障害	対応措置
エラー LED が点滅	3	モーターが過負荷	刈高を上げてください。刈高の設定方法 350 ページを参照してください。
	5	モーター速度が低下し、モーターが停止	
	10	モーター制御が高温	モーターを停止し、冷えるまで待ってください
	2	ブレードのブロック	誤って始動しないようにするために、安全キーを 0 の位置に回し、バッテリーを取り外してから最低 5 秒間待ってください。ブレードがスムーズに回転するかを確認してください。問題が解決しない場合は、認定サービス代理店に相談してください
	9	バッテリーのエラーまたはバッテリーからの信号なし	バッテリーを製品に正しく取り付け、バッテリーのコネクターを点検してください。バッテリーのエラー LED が点滅する場合は、バッテリー 350 ページを参照してください。
製品が停止	8	バッテリーが弱い	バッテリーの充電。バッテリーの充電方法 351 ページを参照してください。
	0	バッテリーコネクターの不具合	バッテリーコネクターを点検
その他のエラー	その他のエラーが発生した場合は、安全キーを 0 に回し、バッテリーを取り外して、認定サービス代理店にお問い合わせください。		

搬送、保管、廃棄

はじめに

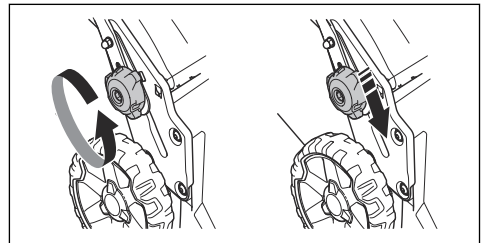


警告： 搬送中に誤って始動しないようにするために、安全キーを「0」の位置に回し、バッテリーを取り外してから最低 5 秒間待ってください。

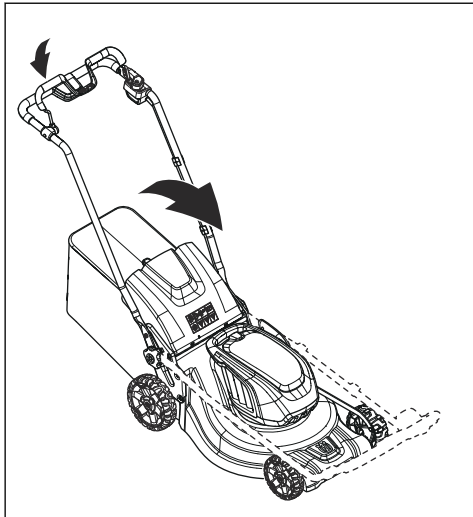
製品を搬送位置にセットする方法

1. 下側ノブを緩めます。

2. 本製品の左右にある溝の下端までノブを動かします。



3. ハンドルを前側に折り畳みます。



4. グラスキャッチャーを取り外します。

搬送

- 付属のリチウムイオン電池には、危険物の規制に関する規則が適用されます。
- 商用搬送においては、梱包およびラベル付けに関する特別な要件を遵守する必要があります。
- 本製品の搬送準備をする際は、危険物に関する規制を遵守していることを確認してください。地域の規制が適用されることがあります。
- 搬送時は常にバッテリーを外してください。
- バッテリーのコネクターにテープを貼り、搬送中にバッテリーが動かないようにしてください。
- 搬送中、本製品を固定してください。

保管

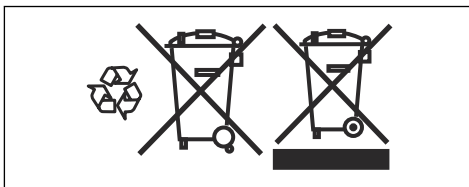
- 保管時は常にバッテリーを外してください。
- 事故防止のため、保管時はバッテリーが本製品に接続されていないことを確認してください。

- バッテリー充電器は、密閉された乾燥した場所に保管してください。
- 湿気や霜が発生しない乾燥した場所に、バッテリーとバッテリー充電器を保管してください。
- 保管時は、バッテリーをバッテリー充電器から取り外してください。
- 静電気が発生するような場所にはバッテリーを保管しないでください。バッテリーは金属製の箱に保管しないでください。
- バッテリーは、5°C ~ 25°C の温度環境で直射日光に当たらない場所に保管してください。
- バッテリー充電器は、5°C ~ 45°C の温度環境で直射日光に当たらない場所に保管してください。
- バッテリーを長期間保管する前に、バッテリー充電量を 30 % ~ 50 % にしてください。
- 製品、バッテリー、バッテリー充電器は、鍵のかかる場所に保管し、子供や許可されていない人の手が届かないようにしてください。
- 製品を長期間保管する前に、製品を清掃し、完全に整備してください。

廃棄

本製品や本製品パッケージ上のマークは、本製品が家庭ゴミとして取り扱われてはならないことを示します。電気・電子機器の再利用を行うため、適切なりサイクル営業所に引き渡す必要があります。

以上を遵守することで、本製品は正しく処理され、本製品を不適切に廃棄した場合に環境や人に与えられる悪影響を防止することができます。本製品のリサイクルについての詳細は、あなたの所在する地区の地方自治体、廃棄物処理サービス、本製品を購入した代理店に連絡してください。



主要諸元

主要諸元

	LC 247IX/LC 247I	LC 347IVX/LC 347IV	LC 353IVX/LC 353IV
カッティングモーター			
モータータイプ	BLDC (ブラシレス) 36 V	BLDC (ブラシレス) 36 V	BLDC (ブラシレス) 36 V
モーター速度 - SavE, r/min	2600	2600	2600
モーター速度 - 標準, r/min	3000	3000	3000
モーター速度 - 高負荷, r/min	3500	3500	3500

	LC 247iX/LC 247i	LC 347iVX/LC 347iV	LC 353iVX/LC 353iV
モーター出力 - 最大, kW	0.96	0.96	1.05
モーター出力 - 標準, kW	0.75	0.75	0.9
駆動モーター			
モーター出力 - 公称, kW	該当なし	0.25	0.25
自走速度, km/h	該当なし	3.0-4.5	3.0-4.5
速度調整レベル	該当なし	4	4
質量			
バッテリーを除いた質量, kg	24	26	28
バッテリー			
バッテリーの種類	Husqvarna バッテリーシリーズ	Husqvarna バッテリーシリーズ	Husqvarna バッテリーシリーズ
バッテリー稼働時間			
バッテリー稼働時間、分、(無負荷) SavE (セーブイー) オン、Husqvarna 製 5.2 Ah バッテリー (Bli200) 1 個の場合	43	43	32
バッテリー稼働時間、分、(無負荷) 標準モードオン、Husqvarna 製 5.2 Ah バッテリー (Bli200) 1 個の場合	30	30	20
騒音排出⁴⁰			
音響パワーレベル、測定 dB (A)	94	94	97
音響パワーレベル、保証 L _{WA} dB (A)	95	95	98
音量レベル⁴¹			
使用者の耳における音圧レベル (dB (A))	82	82	86
振動レベル⁴²			
ハンドル, m/s ²	0.42	0.42	2.64
カッティング装置			
刈高, mm	20-75 mm	20-75 mm	20-75 mm
刈り込み幅, cm	47	47	53
ブレード基準	コレクト 5905934-10	コレクト 5905934-10	コレクト 5940757-10
ブレードアクセサリ	マルチ 5907010-10	マルチ 5907010-10	マルチ 5950072-10
グラスキャッチャーの容量、リットル	55	55	60

⁴⁰ 環境における騒音排出は、EC 指令 2000/14/EC に従って、音響パワー (L_{WA}) として測定。

⁴¹ 報告データによれば、騒音音圧レベルの一般的な統計上のばらつき (標準偏差) は、1.2 dB (A) です。

⁴² 報告データによれば、等価振動レベルの一般的な統計上のばらつき (標準偏差) は、0.2 m/s² です。振動基準 EN 60335-2-77:2017 20.105 章

Bluetooth®の無線周波数データ	LC 247IX	LC 347IVX	LC 353IVX
周波数帯、GHz	2.4-2.4835	2.4-2.4835	2.4-2.4835
出力電力、最大 dBm	4	4	4

認可されたバッテリー	型式	バッテリー容量 (Ah)	電圧 (V)	質量、ポンド / kg
BLi20	リチウムイオン	4.0	36	2.6/1.2
BLi30	リチウムイオン	7.7	36	4.2/1.9
BLi200	リチウムイオン	5.2	36	2.8/1.3
BLi300	リチウムイオン	9.4	36	4.1/1.9

指定バッテリーに適合する認定充電器、BLi	入力電圧、V	周波数、Hz	電力、W
QC80	100 ~ 240	50/60	80
QC80F	12	0	80
QC250	100 ~ 240	50/60	250
QC330	100 ~ 240	50/60	330
QC500	100 ~ 240	50/60	500

EC 適合宣言

EC Declaration of Conformity

Husqvarna AB, SE-561 82 Huskvarna, Sweden, tel: +46-36-146500, declares that the **lawn mower Husqvarna LC 247I, LC 247IX, LC 347IV, LC 347IVX, LC 353IV, LC 353IVX** from the year 2018 and onwards, complies with the requirements of the COUNCIL'S DIRECTIVE:

- of June 8, 2011 on the "restriction of use of certain hazardous substances" **2011/65/EU**
- of May 17, 2006 "relating to machinery" **2006/42/EC**
- of May 8, 2000 "relating to the noise emissions in the environment" **2000/14/EC**

For information relating to noise emissions, see *主要諸元 358 ページ*.

The following standards have been applied:

EN/IEC 60335-1, EN/IEC 60335-2-77, EN/IEC 62233, EN 55014-1, EN ETSI 301 489-7 v1.3.1, EN 61000-6,

ETSI EN 61000-6-1, EN 300 328 BT low energy Tx/Rx, EN 50581

If not otherwise stated, the above listed standards are the latest published versions.

Notified body: **0404, RISE SMP Svensk Maskinprovning AB, Box 7035, SE-750 07 Uppsala** has performed conformity assessment according to Annex VI of directive 2000/14/EC.

Huskvarna, 2020-04-22



Claes Losdal, Development Manager/Garden Products
(Authorized representative for Husqvarna AB and responsible for technical documentation)

登録商標

Bluetooth® マークとロゴは、*Bluetooth SIG, inc.* が所有する登録商標です。当該マークの使用について、Husqvarna は、ライセンスの許諾を受けています。

TURINYS

Įvadas.....	362	Gedimai ir jų šalinimas.....	381
Sauga.....	365	Transportavimas, saugojimas ir utilizavimas.....	382
Surinkimas.....	373	Techniniai duomenys.....	384
Naudojimas.....	375	EB atitikties deklaracija.....	386
Techninė priežiūra.....	379	Registruotieji prekiniai ženklai.....	386

Įvadas

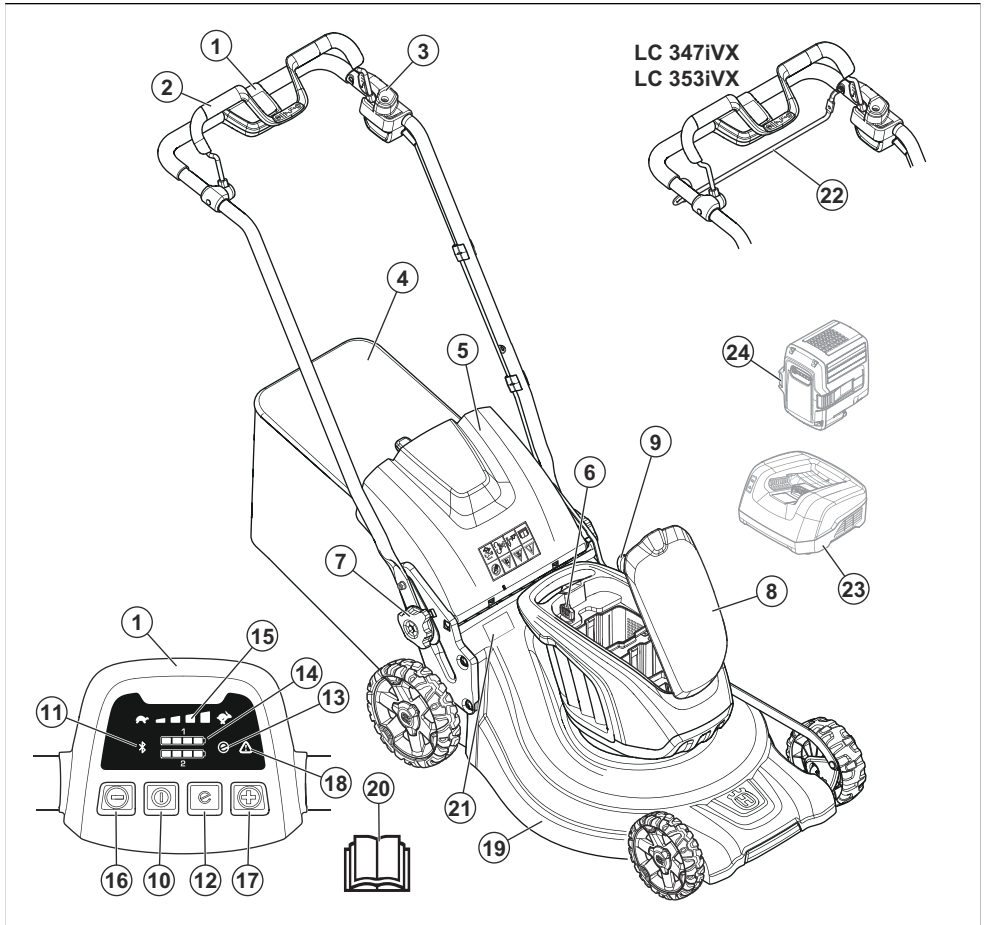
Gaminio aprašas

Šis produktas yra savaeigė sukamoji vejapjovė. Žolė renkama į žolės rinktuvą. Jei norite, kad žolė būtų išmetama per galą, išimkite žolės rinktuvą. Jei žolę norite susmulkinti kaip trąšas, pridėkite mulčiavimo priedą.

Numatytasis naudojimas

Gaminį naudokite žolei pjauti. Nenaudokite gaminio kitiems darbams.

Gaminio apžvalga



- | | |
|--|--|
| 1. Valdymo skydelis | 15. Greičio indikatorius (LC 347iV, LC 347iVX, LC 353iV, LC 353iVX) |
| 2. Variklio stabdymo rankena | 16. Greičio mažinimo mygtukas (LC 347iV, LC 347iVX, LC 353iV, LC 353iVX) |
| 3. Apsauga nuo netyčinio paleidimo | 17. Greičio didinimo mygtukas (LC 347iV, LC 347iVX, LC 353iV, LC 353iVX) |
| 4. Žolės rinktuvas | 18. Klaidos diodas |
| 5. Galinis dangtis | 19. Pjovimo gaubtas |
| 6. Apsauginis raktelis | 20. Naudojimo instrukcija |
| 7. Rankenėlė | 21. Nominaliųjų parametrų plokštelė |
| 8. Akumuliatoriaus gaubtas | 22. Pavaros rankena (LC 347iV, LC 347iVX, LC 353iV, LC 353iVX) |
| 9. Pjovimo aukščio valdiklis | 23. Akumuliatoriaus įkroviklis (priedas) |
| 10. ĮJUNGIMO / IŠJUNGIMO mygtukas | 24. Akumuliatorius (priedas) |
| 11. Bluetooth® belaidės technologijos indikatorius | |
| 12. „SavE“ mygtukas | |
| 13. „SavE“ indikatorius | |
| 14. Akumuliatoriaus indikatorius | |

Simboliai ant gaminio



[SPĖJIMAS! Būkite atsargūs ir tinkamai naudokite gaminį. Šis gaminys gali rimtai sužeisti arba pražudyti naudotoją arba aplinkinius.



Prieš naudodami, atidžiai perskaitykite naudotojo instrukciją ir įsitikinkite, kad viską gerai supratote.



Asmenims ir gyvūnams būtina laikytis saugaus atstumo nuo darbo zonos.



Saugokitės išmetamų ir rikošetu atšokusių daiktų.



[Spėjimas: Saugokite rankas bei kojas ir nekiškite jų prie besisukančio peilio.



[Spėjimas: Saugokite rankas bei kojas ir nekiškite jų prie besisukančių dalių.



Prieš remontuodami ar atlikdami techninę apžiūrą, išimkite apsauginį raktelį.



Nepalikite lietuje.



Gaminys ar gaminio pakuotė nepriskiriami buitiniams atliekoms. Nuvežkite jį į elektros ir elektronikos įrenginių perdirbimo punktą.



Šis gaminys atitinka taikomas ES direktyvas.



Šis gaminys atitinka taikomas Eurazijos muitų sąjungos direktyvas.



Šis gaminys atitinka taikomas UkrSEPRO direktyvas.



Šis gaminys atitinka taikomas RMC direktyvas. Taikoma tik AU / NZ



Triukšmo emisija į aplinką atitinka Europos direktyvą 2000/14/EB ir

Naujojo Pietų Vėlo įstatymą „2017 m. aplinkos apsaugos (triukšmo kontrolės) reglamentas“. Triukšmo emisijos duomenys nurodyti įrenginio etiketėje ir skyriuje Techniniai duomenys.

IPX1 Gaminys apsaugotas nuo lašėjimo.

Pradėkite procedūrą: nuspauskite ĮJUNGIMO / IŠJUNGIMO mygtuką, atlaisinkite apsaugą nuo netyčinio paleidimo, nuspauskite variklio stabdymo rankeną.



Norėdami sustabdyti, atleiskite variklio stabdymo rankeną.



Lėtai



Greitai



Nuskaitomas kodas

Pasižymėkite: Kiti ant gaminio esantys simboliai (lipdukai) yra naudojami pagal kai kurių rinkų sertifikavimo reikalavimus.

Etiketė ant gaminio



Saugokite rankas bei kojas ir nekiškite jų prie besisukančių peilių.

Atsakomybė už gaminį

Kaip nurodyta atsakomybės už gaminį įstatymuose, mes nesame atsakingi už mūsų gaminio sukeltą žalą, jei:

- gaminys netinkamai suremontuotas;
- gaminys suremontuotas naudojant kito gamintojo arba gamintojo nepatvirtintas dalis;
- gaminys turi kito gamintojo arba gamintojo nepatvirtintą priedą;
- gaminys suremontuotas ne patvirtintame techninės priežiūros centre arba jį suremontavo ne patvirtintas atstovas.

Sauga

Saugos ženklų reikšmės

Įspėjimai, perspėjimai ir pastabos yra skirtos atkreipti

dėmesį į ypač svarbias instrukcijos dalis.

**PERSPĒJIMAS:**

Naudojamas, kai naudotojui ar šalia esantiems asmenims kyla mirtino arba sunkaus sužeidimo pavojus arba, jei nesilaikoma naudotojo instrukcijoje pateiktų nurodymų.



PASTABA: Naudojamas, kai kyla pavojus sugadinti gaminį, kitas medžiagas arba padaryti žalą aplinkai, jei nesilaikoma naudotojo instrukcijoje pateiktų nurodymų.

Pasižymėkite: Naudojama pateikti daugiau, nei būtina esamoje situacijoje, informacijos.

Bendrieji saugos nurodymai



PERSPĒJIMAS: Prieš naudodami gaminį, perskaitykite toliau esančius įspėjimus.

- Netinkamai arba neatidžiai naudojant šis gaminys yra pavojingas. Jei nesilaikysite

saugos nurodymų, kyla sužeidimų arba mirties pavojus.

- Šis gaminys veikdamas sukuria elektromagnetinį lauką. Tam tikromis aplinkybėmis šis laukas gali trikdyti aktyviųjų arba pasyviųjų medicininių implantų veiklą. Kad sumažėtų sunkių ar mirtinų sužeidimų pavojus, medicininių implantų turintiems asmenims rekomenduojame prieš naudojant šį gaminį pasitarti su gydytoju ir implanto gamintoju.
- Visada elkitės atsargiai ir vadovaukitės sveiku protu. Jei tiksliai nežinote, kaip naudoti gaminį konkrečioje situacijoje, sustabdykite darbą ir prieš tęsdami darbą pasitarkite su „Husqvarna“ pardavimo atstovu.
- Atsiminkite, kad už nelaimingus atitikimus, kurių metu nukentės asmenys ar turtas, bus atsakingas naudotojas.
- Rūpinkitės gaminio švara. Įsitinkite, kad galite aiškiai perskaityti ženklus ir lipdukus.
- Neleiskite vaikams bei suaugusiems, nesusipažinusiems su instrukcijomis, naudotis

įrenginiu. Gali būti, kad pagal vietos teisės aktus ribojamas naudotojo amžius.

- Visada prižiūrėkite gaminį naudojantį fizinę arba protinę negalią turintį asmenį. Būtina nuolatinė atsakingo suaugusiojo priežiūra.
- Neekspluatuokite gaminio, jeigu esate pavargę, sergate, vartojote alkoholio, narkotikų ar vaistų. Tai neigiamai veikia jūsų regėjimą, nuovoką ar koordinaciją.
- Neekspluatuokite gaminio, jei jis sugadintas.
- Nekeiskite gaminio ir nenaudokite jo, jei jį galėjo pakeisti kiti.

Sauga darbo vietoje



PERSPĖJIMAS: Prieš naudodami gaminį, perskaitykite toliau esančius įspėjimus.

- Prieš naudodami gaminį nuo darbo zonos pašalinkite tokius objektus, kaip šakos, šakelės ir akmenys.
- Atsitrenkę į pjovimo įrangą objektai gali atšokti ir sužeisti asmenis bei sugadinti daiktus. Šalia esantiems asmenims ir gyvūnams būtina laikytis saugaus atstumo nuo gaminio.

- Gaminio niekuomet nenaudokite blogu oru, pvz., kai pakyla rūkas, lyja, pučia stiprus vėjas, stipriai šąla ir gali žaibuoti. Darbas gaminiu blogu oru arba drėgnose ar šlapiose vietose yra varginantis. Blogu oru gali susidaryti pavojingos sąlygos, pvz., slidūs paviršiai.
- Saugokitės asmenų, daiktų ir tam tikrų situacijų kurios gali neleisti saugiai naudoti gaminio.
- Saugokitės kliūčių, pvz., šaknų, akmenų, šakelių, duobių ir griovių. Aukštoje žolėje kliūtys gali būti nematomos.
- Gali būti pavojinga pjauti žolę įkalnėse. Nepjaukite pernelyg stačiuose šlaituose. Nenaudokite gaminio, jei šlaitas yra statesnis nei 15°
- Būkite ypač atsargūs keisdami judėjimo kryptį ant kalno šlaitų. Šlaitus pjaukite skersai. Nevažiuokite į viršų ir žemyn.
- Būkite atsargūs artėdami prie nematomų kampų ir daiktų, kurie užstoja vaizdą.

Darbo sauga



PERSPĖJIMAS: Prieš naudodami gaminį,

perskaitykite toliau
esančius įspėjimus.

- Gaminį naudokite tik vejų žolei pjauti. Neleidžiama jo naudoti kitoms užduotims atlikti.
- Naudokite asmenines apsaugines priemones. Žr. *Asmeninės apsauginės priemonės psl. 369*.
- Įsitikinkite, kad žinote, kaip greitai sustabdyti variklį nelaimės atveju.
- Nenaudokite gaminio lietuje arba drėgnoje aplinkoje. Į gaminį patekus vandens, padidėja elektros smūgio pavojus.
- Nenaudokite gaminio tinkamai neuždengę peilio ir neuždėję kitų dangčių. Netinkamai uždėtas peilis gali atsilaisvinti ir sužeisti.
- Užtikrinkite, kad peilis neatsitrenktų į tokius objektus, kaip akmenys ir šaknys. Tai gali sugadinti peilį ir sulenkti variklio veleną. Sulenkta ašis sukelia didelę vibraciją ir kyla didžiulis pavojus, kad peilis atsilaisvins.
- Jei į peilį atsitrenkia objektas arba susidaro vibracijos, nedelsdami sustabdykite gaminį. Išjunkite variklį, pasukite apsauginį raktelį į

- padėtį „0“ ir išimkite akumuliatorių. Patikrinkite, ar gaminys neapgadintas. Pataisykite sugadintas dalis arba remonto darbus perleiskite įgaliojamam techninės priežiūros atstovui.
- Niekada nepritvirtinkite variklio stabdymo rankenos prie rankenos visam laikui, kai variklis veikia.
- Padėkite gaminį ant stabilaus, plokščio paviršiaus ir paleiskite jį. Patikrinkite, ar peilis neliečia žemės ar kokių kitų daiktų.
- Visada būkite už gaminio, kai jį naudojate.
- Priežiūrėkite, kad visi ratukai būtų ant žemės ir abi rankas laikykite ant rankenos, kai naudojate gaminį. Saugokite rankas bei kojas ir neikiškite jų prie besisukančių peilių.
- Dirbant varikliui nepakreipkite gaminio.
- Būkite atsargūs, kai gaminį traukiate atgal.
- Dirbant varikliui niekada nekelkite gaminio. Jei reikia pakelti gaminį, pirmiausia išjunkite variklį, pasukite apsauginį raktelį į padėtį „0“ ir išimkite akumuliatorių.
- Naudodami gaminį neikite atgal.

- Veždami įrenginį per zonas be žolės, pvz., žvirgždo, akmenų ir asfalto takelius, sustabdykite variklį.
- Dirbant varikliui nebėkite su gaminiu. Naudodami gaminį visada eikite.
- Prieš pakeisdami pjovimo aukštį pirmiausia išjunkite variklį. Niekada nereguliuokite varikliui veikiant.
- Niekada nepaleiskite gaminio iš akių, kai veikia variklis. Išjunkite variklį ir įsitikinkite, kad pjovimo įranga nesisuka.
- Dėvėkite storas, ilgas kelnes.
- Kai būtina, pvz., montuojant, apžiūrint arba valant pjovimo įrangą, užsimaukite apsaugines pirštines.

Gaminio apsauginės priemonės



PERSPĖJIMAS: Prieš naudodami gaminį, perskaitykite toliau esančius įspėjimus.

- Nesinaudokite gaminiu, jei jo apsauginės priemonės yra netvarkingos.
- Reguliariai tikrinkite apsaugines priemones. Jei apsauginės priemonės yra pažeistos, pasitarkite su Husqvarna techninės priežiūros atstovu.

Naudojimo saugos instrukcijos

Asmeninės apsauginės priemonės



PERSPĖJIMAS: Prieš naudodami gaminį, perskaitykite toliau esančius įspėjimus.

- Asmeninės apsauginės priemonės nepadės visiškai išvengti pavojaus susižeisti, tačiau nelaimingo atsitikimo atveju mažiau nukentėsite. Leiskite prekybos atstovui padėti pasirinkti tinkamą įrangą.
- Avėkite patvarius, neslystančius batus. Neavėkite atvirų batų ir nebūkite basi.
- Nesinaudokite gaminiu, jei jo apsauginės priemonės yra netvarkingos.
- Reguliariai tikrinkite apsaugines priemones. Jei apsauginės priemonės yra pažeistos, pasitarkite su Husqvarna techninės priežiūros atstovu.

Atlikite pjovimo gaubto patikrą.

Pjovimo gaubtas sumažina gaminio vibracijas ir sumažina disko keliamą sužeidimų pavojų.

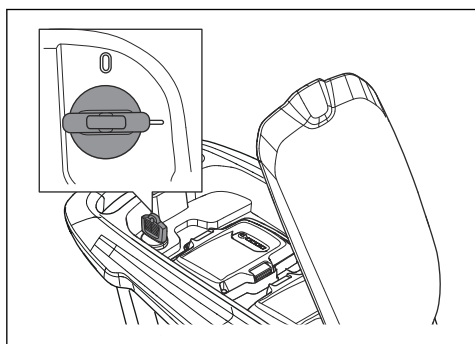
- Apžiūrėkite pjovimo gaubtą, kad įsitikintumėte, jog nėra pažeidimų, pvz., įtrūkių.

Apsauginis raktelis

Apsauginis raktelis yra po akumulatoriaus gaubtu. Apsauginis raktelis prijungia

akumuliatorių, kuris tiekia varikliui energiją.

- Norėdami patikrinti apsauginį raktelį, paleiskite ir sustabdykite variklį.
- Jei apsauginis raktelis veikia tinkamai, variklį galima paleisti tik pasukus raktelį į padėtį „1“.

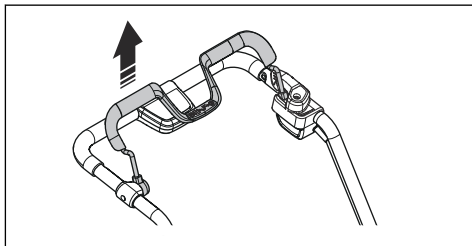


Variklio stabdymo rankena

Variklio stabdymo rankena sustabdo variklį. Atleidus variklio stabdymo rankeną variklis sustoja.

Norėdami patikrinti variklio stabdį, paleiskite variklį ir atleiskite variklio stabdymo rankeną. Jei variklis nesustoja per 3 sekundes, paprašykite, kad įgaliotasis „Husqvarna“

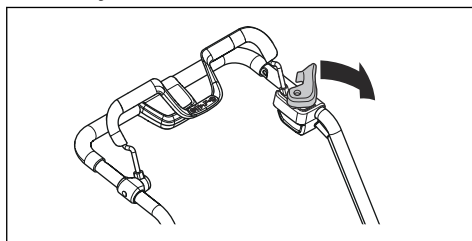
techninės priežiūros atstovas sureguliuotų variklio stabdį.



Apsaugos nuo netyčinio užvedimo patikrinimas

Patikrinkite apsaugą nuo netyčinio užvedimo ir įsitinkinkite, kad ji neleidžia užvesti variklio.

1. Pastumkite variklio stabdymo rankeną link gaminio rankenos. Apsauga nuo netyčinio užvedimo neleidžia judėti.
2. Išstumkite apsaugą nuo netyčinio užvedimo.



3. Atleiskite apsaugą nuo netyčinio užvedimo ir įsitinkinkite, kad ji grįžta į savo pradinę padėtį.

Akumuliatorių naudojimo sauga



PERSPĖJIMAS: Prieš naudodami gaminį, perskaitykite toliau esančius įspėjimus.

- Kaip susijusių „Husqvarna“ gaminių maitinimo šaltinį naudokite tik „Husqvarna“ įkraunamus akumulatorius. Kad išvengtumėte sužeidimų, nenaudokite akumulatoriaus kaip kitų gaminių maitinimo šaltinio.
- Nenaudokite neįkraunamų akumuliatorių.
- Elektros smūgio pavojus. Nejunkite akumulatoriaus gnybtų prie raktų, monetų, atsuktuvų ar kitų metalinių daiktų. Galite sukėti akumulatoriaus trumpąjį jungimą.
- Nekiškite objektų į akumulatoriaus oro angas.
- Saugokite akumuliatorių nuo tiesioginių saulės spindulių, karščio ar atviros ugnies. Akumulatorius gali sprogti ir sukelti terminius ir (arba) cheminius nudegimus.
- Saugokite akumuliatorių nuo lietaus ir drėgmės.
- Saugokite akumuliatorių nuo mikrobangų ir aukšto slėgio.

- Nebandykite akumulatoriaus išmontuoti ar sulaužyti.
- Jei iš akumulatoriaus teka skystis, saugokite nuo jo kūną ir akis. Jei palietėte skystį, gerai nuplaukite šią vietą vandeniu ir kreipkitės pagalbos į medikus.
- Akumuliatorių naudokite nuo $-10\text{ }^{\circ}\text{C}$ iki $40\text{ }^{\circ}\text{C}$ temperatūroje.
- Nevalykite akumulatoriaus ar įkroviklio vandeniu. Žr. *Akumulatoriaus ir akumulatoriaus įkroviklio valymas psl. 380*
- Nenaudokite sugadinto arba pažeisto akumulatoriaus.
- Laikykite akumulatorius atokiau nuo metalinių daiktų, pavyzdžiui, vinių, monetų, juvelyrinių dirbinių.

Įkroviklio sauga



PERSPĖJIMAS: Prieš naudodami gaminį, perskaitykite toliau esančius įspėjimus.

- „Husqvarna“ pakaitiniams akumulatoriams įkrauti naudokite tik QC akumuliatorių įkroviklius.
- Elektros smūgio ar trumpojo jungimo pavojus. Nekiškite objektų į įkroviklio oro angas.

Nebandykite išmontuoti akumulatoriaus įkroviklio.

Neprijunkite įkroviklio gnybtų prie metalinių daiktų.

Naudokite patvirtintą elektros tinklo lizdą.

- Šis gaminys veikdamas sukuria elektromagnetinį lauką. Tam tikromis aplinkybėmis šis laukas gali trikdyti aktyviųjų arba pasyviųjų medicininių implantų veiklą. Kad sumažėtų sunkaus ar netgi mirtino sužeidimo pavojus, medicininių implantų turintiems asmenims rekomenduojame prieš naudojant šį gaminį pasitarti su gydytoju ir implanto gamintoju.
- Nuolat patikrinkite akumulatoriaus įkroviklio maitinimo laidą, ar jis nepažeistas ir nėra įtrūkimų.
- Nekelkite akumulatoriaus įkroviklio už maitinimo laido. Norėdami atjungti akumulatoriaus įkroviklį nuo elektros lizdo, traukite už kištuko. Netraukite už elektros laido.
- Maitinimo laidą ir ilginamuosius kabelius saugokite nuo vandens, alyvos ir aštrių kampų. Būkite atidūs, kad kabelio neprispaustų durys, tvoros ar pan. Priešingu

atveju įkrovikliu gali imti tekėti elektros srovė.

- Nevalykite akumulatoriaus įkroviklio vandeniu.
- Akumulatoriaus įkroviklį gali naudoti vaikai nuo 8 metų amžiaus ir kiti asmenys su ribotais fiziniais, jutimais ar protiniais sugebėjimais, arba stokoiantys patirties ar žinių, jei yra prižiūrimi arba instrukuoti dėl saugaus akumulatoriaus įkroviklio naudojimo ir supranta gresiančius pavojus. Vaikams su akumulatoriaus įkrovikliu žaisti negalima. Be priežiūros vaikai neturėtų valyti prietaiso ir atlikti naudotojo priežiūros darbų.
- Akumuliatorių įkrovikliu nekraukite neįkraunamų akumuliatorių.
- Nenaudokite akumulatoriaus įkroviklio šalia degių arba koroziją sukeliančių medžiagų. Neuždenkite įkroviklio. Pastebėję dūmus ar liepsną, ištraukite akumulatoriaus įkroviklio kištuką.
- Nenaudokite sugadinto arba pažeisto akumulatoriaus įkroviklio.
- Įkraukite akumuliatorių tik viduje, gerai vėdinamoje patalpoje, saugodami nuo

saulės spindulių. Nekraukite akumulatoriaus drėgnomis sąlygomis.

Priežiūros saugos instrukcijos



PERSPĖJIMAS: Prieš naudodami gaminį, perskaitykite toliau esančius įspėjimus.

- Kad atlikdami priežiūros darbus išvengtumėte netyčinio užvedimo, pasukite apsauginį raktelį į padėtį „0“ ir išimkite akumuliatorių. Palaukite bent 5 sekundes ir tik tada pradėkite priežiūros darbus.
 - Kad gaminys tarnautų ilgiau ir sumažėtų nelaimingų atsitikimų pavojus, tinkamai atlikite priežiūros darbus. Profesionalius remonto darbus leiskite atlikti patvirtintam techninės priežiūros atstovui. Jei reikia daugiau informacijos, kreipkitės į artimiausią techninės priežiūros atstovą.
 - Atlikite tik naudojimo instrukcijoje nurodytus techninės priežiūros darbus.
- Sudėtingesnius darbus turi atlikti patvirtintas techninės priežiūros atstovas.
 - Naudodami pjovimo įrangą, mūvėkite storas darbinės pirštines. Peilis labai aštrus ir gali lengvai įpjauti.
 - Kad darbas vyktų saugiai ir efektyviai, pasirūpinkite, kad pjovimo briaunos būtų aštrios.
 - Leiskite savo techninės priežiūros atstovui reguliariai tikrinti gaminį ir atlikti reikiamus nustatymo ir remonto darbus.
 - Pakeiskite pažeistas, sulūžusias arba susidėvėjusias dalis.
 - Laikykitės priedų keitimo nurodymų. Naudokite tik gamintojo priedus.
 - Kai nenaudojate, laikykite gaminį, akumuliatorių ir akumulatoriaus įkroviklį atskirai, sausoje užrakintoje patalpoje. Pasirūpinkite, kad vaikai ir pašaliniai asmenys negalėtų pasiekti gaminio, akumulatoriaus ar akumulatoriaus įkroviklio.

Surinkimas

Įvadas



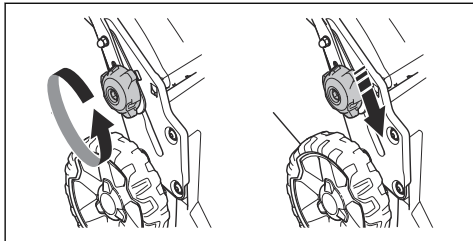
PERSPĖJIMAS: Prieš surinkdami produktą perskaitykite skyrių apie saugą.



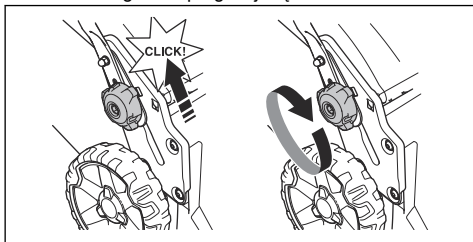
PERSPĖJIMAS: Kad surinkimo metu išvengtumėte netyčinio paleidimo, pasukite apsauginį raktelį į padėtį „0“, išimkite akumuliatorių ir palaukite mažiausiai 5 sekundes.

Rankenos reguliavimas

1. Atsukite apatines rankenėles.
2. Stumkite rankenėles iki apatinio griovelių krašto kairėje ir dešinėje produkto pusėje.



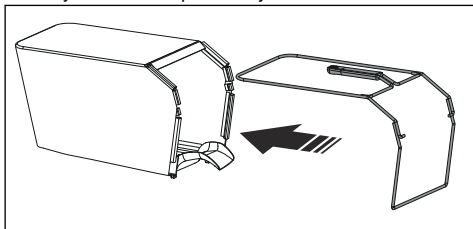
3. Nustatykite rankenos aukštį į vieną iš dviejų aukščio padėčių.
4. Stumkite rankenėles į viršų link rankenos, kol jos sustos ir išgirsite spragtelėjimą.



5. Iki galo priveržkite rankenėles.

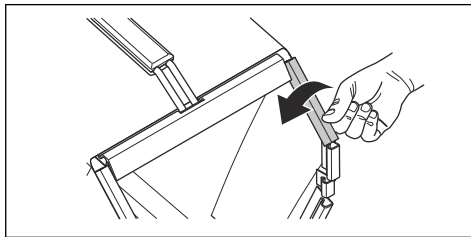
Žolės rinktuvo montavimas

1. Įdėkite žolės rinktuvo rėmą į žolės krepšį taip, kad standi krepšio dalis būtų apačioje. Rėmo rankeną laikykite žolės krepšio viršuje.

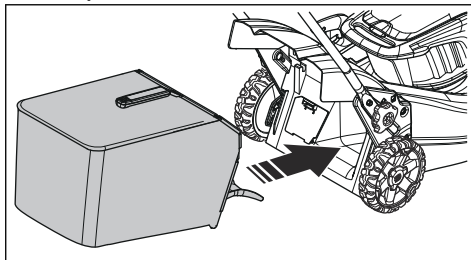


2. Įstatykite žolės rinktuvo rėmo apatinę dalį į griovelį žolės rinktuvo apačioje.

3. Pritvirtinkite žolės krepšį prie žolės rinktuvo rėmo fiksatoriais.

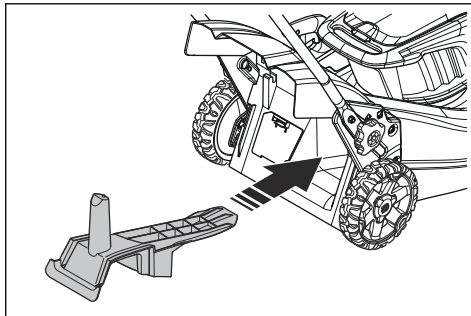


4. Pakelkite galinį dangtį.
5. Prikabinkite žolės rinktuvą prie viršutinio važiuoklės krašto.
6. Įdėkite apatinę žolės rinktuvo dalį į žolės išmetimo kanalą.



Mulčiavimo priedo montavimas (priedas)

1. Pakelkite galinį gaubtą ir išimkite žolės rinktuvą.
2. Įstatykite mulčiavimo priedą į išmetimo kanalą.



3. Pakeiskite peilį mulčiavimo peiliu, pridėdamu prie mulčiavimo rinkinio. Žr. *Peilio išėmimas ir pakeitimas psi. 380.*

Naudojimas

Įvadas



PERSPĖJIMAS: Prieš naudodami gaminį perskaitykite ir supraskite saugos skyriaus informaciją.

Husqvarna Connect

Husqvarna Connect yra nemokama programėlė, skirta mobiliams įrenginiams. Programėlė Husqvarna Connect suteikia Husqvarna gaminiui papildomas funkcijas:

- Papildoma informacija apie gaminį.
- Informacija ir patarimai apie gaminio dalis ir priežiūrą.

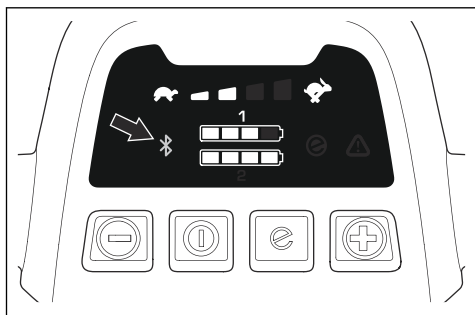
Norėdami pradėti naudoti Husqvarna Connect

1. Atsisiųskite „Husqvarna Connect“ programėlę į mobilųjį įrenginį.
2. Užsiregistruokite „Husqvarna Connect“ programėlėje.
3. Norėdami prisijungti ir užregistruoti gaminį, vykdykite „Husqvarna Connect“ programėlėje pateiktas instrukcijas.

Bluetooth® informacija (LC 247iX, LC 347iVX, LC 353iVX)

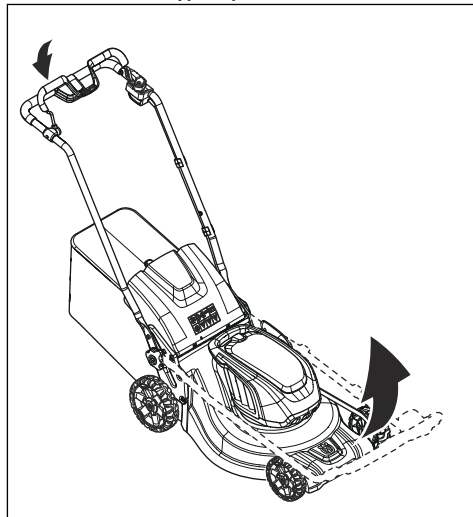
Bluetooth® belaidė technologija

Bluetooth® belaidės technologijos simbolis išsibėbia, kai jūsų mobilusis įrenginys yra prijungtas prie gaminio.

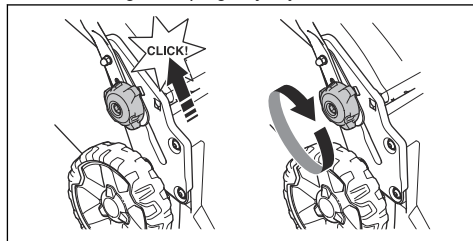


Produkto paruošimas transportuoti

1. Atlenkite rankeną į viršų.



2. Stumkite rankenėles į viršų link rankenos, kol jos sustos ir išgirsite spragtelėjimą.



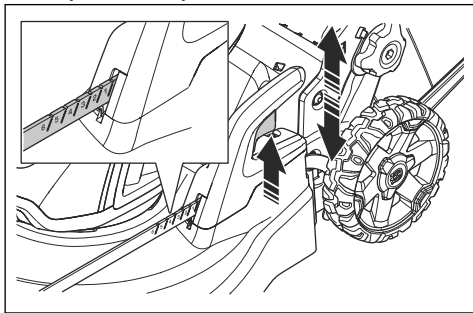
3. Iki galo priveržkite rankenėles.

Pjovimo aukščio nustatymas

Galima nustatyti 6 pjovimo aukščio padėtis.

1. Kad sumažintumėte pjovimo aukštį, pjovimo aukščio svirtį leiskite žemyn.

2. Kad padidintumėte pjovimo aukštį, pjovimo aukščio svirtį kelkite aukšтын.



PASTABA: Nenustatykite per žemo pjovimo aukščio. Peiliai gali užkliudyti žemę, jei vejos paviršius nelygus.

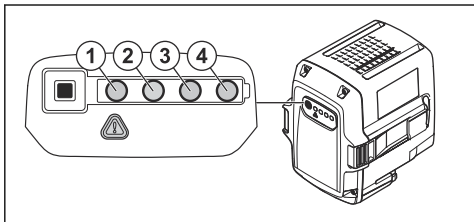
Akumulatorius



PERSPĖJIMAS: Prieš naudodami akumuliatorių perskaitykite ir supraskite saugos skyriaus informaciją. Taip pat turite perskaityti ir suprasti akumuliatoriaus bei akumuliatoriaus įkroviklio naudojimo instrukcijas.

Akumuliatoriaus būseną

Ekrane rodoma likusi akumuliatoriaus talpa ir galimos akumuliatoriaus problemos. Akumuliatoriaus talpa rodoma 5 sekundes po gaminio išjungimo arba po akumuliatoriaus indikatorius mygtuko paspaudimo. Akumuliatoriaus įspėjimo simbolis užsidega, kai įvyksta klaida. Žr. *Akumuliatorius psl. 381*



Šviesos diodai	Akumuliatoriaus būseną
Šviečia visi diodai	Visiškai įkrautas (75–100 %)
Šviečia 1, 2 ir 3 diodai	Akumuliatorius įkrautas 50–75 %
Šviečia 1, 2 diodai	Akumuliatorius įkrautas 25–50 %

Šviesos diodai	Akumuliatoriaus būseną
Šviečia 1 diodas	Akumuliatorius įkrautas 0–25 %
Mirksi 1 diodas	Akumuliatorius tuščias. Įkraukite akumuliatorių.

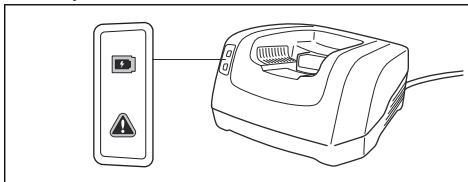
Akumuliatoriaus įkrovimas

Prieš naudodami pirmą kartą, akumuliatorių įkraukite. Klientui pateikiamas akumuliatorius yra įkrautas tik 30 %.

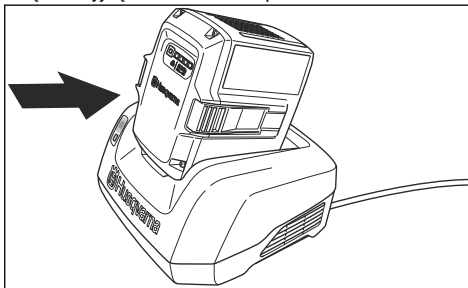
Pasižymėkite: Akumuliatorių įkroviklį būtina prijungti prie parametų plokštelėje nurodytos įtampas ir dažnio maitinimo lizdo.

Akumuliatorius neįkraunamas, jei jo temperatūra aukštesnė nei 50 °C. Prieš pradėdamas įkrauti, akumuliatoriaus įkroviklis sumažina akumuliatoriaus temperatūrą.

1. Prijunkite vieną akumuliatoriaus įkroviklio maitinimo laido galą prie akumuliatoriaus įkroviklio lizdo.
2. Prijunkite kitą akumuliatoriaus įkroviklio maitinimo laido galą prie įžeminto elektros lizdo. Akumuliatoriaus įkroviklio LED indikatorius vieną kartą sumirksės žaliai.



3. Akumuliatorių įstatykite į įkroviklį. Prijungus akumuliatorių prie akumuliatoriaus įkroviklio, įkroviklyje išsižiebja žalia lemputė.



4. Išsižiebus visiems akumuliatoriaus LED indikatoriams, akumuliatorius yra visiškai įkrautas. Akumuliatorių kraukite daugiausia 24 valandas.
5. Norėdami atjungti akumuliatoriaus įkroviklį nuo elektros lizdo, traukite už kištuko, o ne už maitinimo laido.
6. Iš įkroviklio išimkite akumuliatorių.

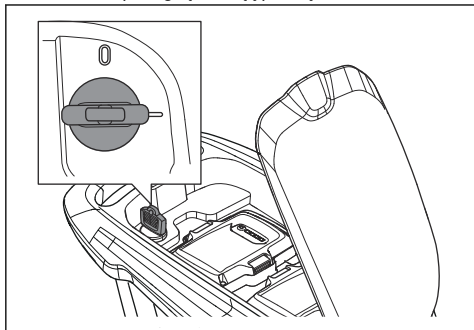
Akumulatoriaus įkrovimo būseną

„Husqvarna“ ličio jonų akumulatorius galima įkrauti ir naudoti nepaisant jų įkrovimo lygio. Akumulatorius nepažeistas. Visiškai įkrautas akumulatorius nepraras savo krūvio jį palikus įkroviklyje.

LED ekranas	Įkrovimo būseną
Mirksi 1 diodas	0–25 %
1 diodas mirksi, 2 šviečia	25–50 %
1, 2 diodas šviečia, 3 mirksi	50–75 %
1, 2, 3 diodai šviečia, 4 mirksi	75–100 %
Šviečia 1, 2, 3, 4 šviesos diodai	Visiškai įkrautas

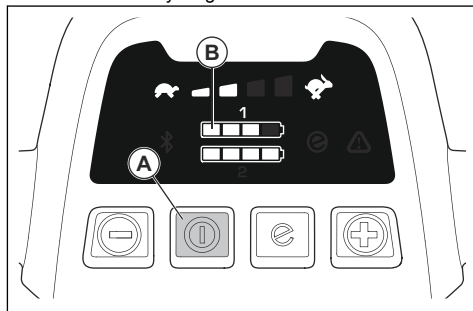
Gaminio paleidimas

1. Atidarykite akumulatoriaus gaubtą.
2. Įkrautą akumuliatorių įstatykite į vieną iš akumulatoriaus laikiklių. Jei norėsite dirbti ilgiau, įstatykite antrą įkrautą akumuliatorių į kitą akumulatoriaus laikiklį.
3. Pasukite apsauginį raktelį į padėtį „1“.

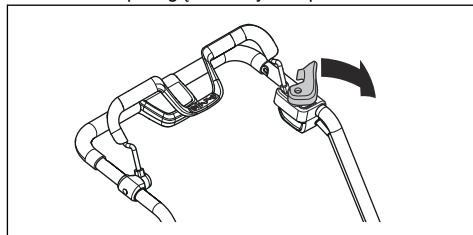


4. Stovėkite už gaminio.

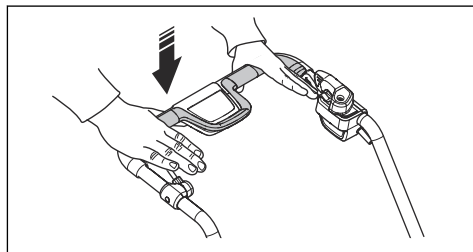
5. Valdymo skydelyje nuspauskite ĮJUNGIMO / IŠJUNGIMO mygtuką (A). Išjungia ekranas. Akumulatoriaus indikatorius (B) rodo dviejų akumuliatorių įkrovimo lygį. Veikiančio akumulatoriaus numeris rodomas greta akumulatoriaus indikatorius. LC 347iV, LC 347iVX, LC 353iV, LC 353iVX modelių ekrane taip pat rodomas nustatytas greitis.



6. Atleiskite apsaugą nuo netyčinio paleidimo.

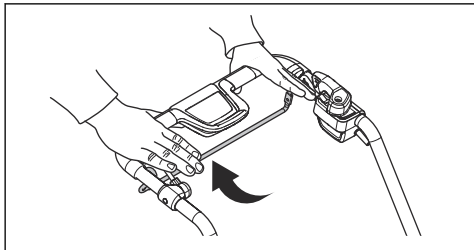


7. Pastumkite variklio stabdymo rankeną link gaminio rankenos.

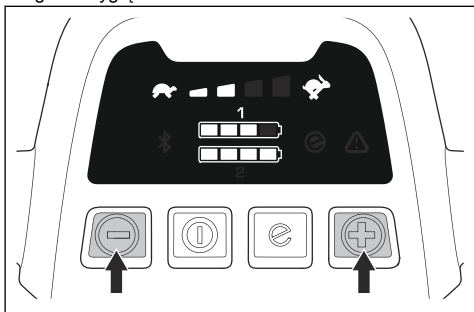


Ratų pavaros naudojimas LC 347iV, LC 347iVX, LC 353iV, LC 353iVX

- Patraukite pavaros rankeną link gaminio rankenos, kad įjungtumėte pavarą.



- Nuspauskite valdymo skydelyje esančius mygtukus „+“ ir „-“, kad nustatytumėte vieną iš 4 važiavimo greičio lygių.

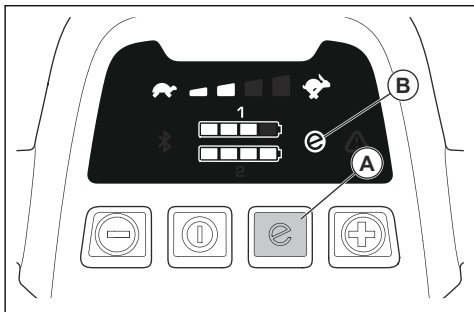


- Atleiskite pavaros rankeną, kad išjungtumėte pavarą, pvz., kai priartėjate prie kliūtis.

Funkcijos „i“ naudojimas

Gaminys turi akumuliatoriaus energijos taupymo funkciją (i), kuri užtikrina ilgesnę veikimo trukmę.

1. Paspauskite „i“ mygtuką (A), kad paleistumėte funkciją. Ekrane atsiranda „i“ simbolis (B).
2. Paspauskite „i“ mygtuką dar kartą, kad sustabdytumėte funkciją. „i“ simbolis (B) išnyksta iš ekrano.



„i“ funkcija automatiškai sustabdoma, jei dėl žemės sąlygų reikalinga didesnė galia. „i“ funkcija vėl automatiškai paleidžiama, kai tai leidžia žemės sąlygos.

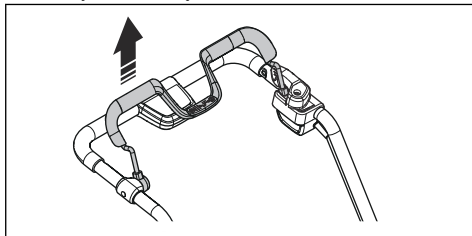
Didelės apkrovos funkcija

Gaminį pjaunant aukštą ar šlapią žolę, variklio sūkliai automatiškai padidinami. Kai didelės apkrovos funkcija nebūtina, variklis vėl pradeda veikti standartiniu režimu.

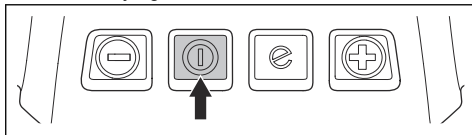
Gaminio sustabdymas

Gaminys sustabdomas automatiškai, jei nenaudojate jo 10 minučių. Prieš palikdami produktą neprižiūrimą, visada pasukite apsauginį raktelį į padėtį „0“.

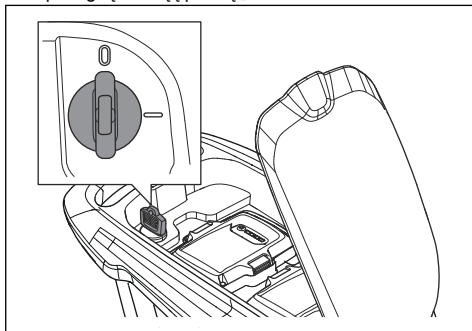
1. Norėdami sustabdyti variklį, atleiskite variklio stabdymo rankeną.



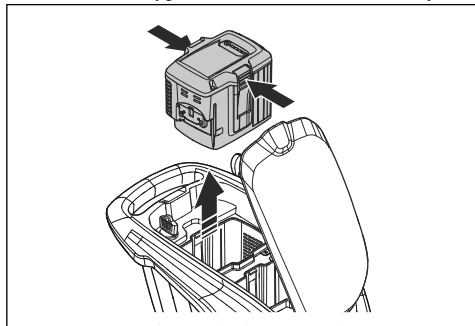
2. Valdymo skydelyje nuspauskite |JUNGIMO / IŠJUNGIMO mygtuką. Visi šviesos diodai ir simboliai ekrane išsijungia.



3. Atidarykite akumuliatoriaus gaubtą ir pasukite apsauginį raktelį į padėtį „0“.



4. Norėdami išimti akumuliatorių, paspauskite 2 atlaisvinimo mygtukus ir ištraukite akumuliatorių.



5. Jei akumulatoriaus įkrova žema, įkraukite jį. Daugiau informacijos žr. *Akumulatoriaus įkrovimas psl. 376.*

Gerų rezultatų gavimas

- Visada naudokite pagalastą peilį. Atšipęs peilis netaisyklingai nupjauna ir žolės paviršius pagelsta. Be to, aštrus peilis naudoja mažiau energijos nei atšipęs.

- Nepjaukite daugiau nei 1/3 žolės ilgio. Pirmiausia nupjaukite nustatę didelį aukštį. Patikrinkite rezultatą ir sumažinkite pjovimo aukštį iki tinkamo lygio. Jeigu žolė tikrai aukšta, judėkite lėtai ir, jei reikia, pjaukite 2 kartus.
- Kiekvieną kartą pjaukite skirtingomis kryptimis, kad vejoje nesusidarytų dryžiai.

Žolės pjovimas nenaudojant žolės rinktuvo arba mulčiavimo priedo

- Pakelkite galinį gaubtą ir išimkite žolės rinktuvą.
- Jei mulčiavimo priedas ir mulčiavimo peilis uždėti, nuimkite juos.
- Prieš naudodami gaminį, uždarykite galinį gaubtą.

Kai naudojate gaminį, nupjauta žolė išmetama po galiniu dangčiu.

Techninė priežiūra

Įvadas



PERSPĖJIMAS: Prieš atlikdami priežiūros darbus perskaitykite ir supraskite saugos skyriaus informaciją.

Visiems gaminio techninės priežiūros ir remonto darbams reikia specialių apmokymų. Garantuojame profesionalaus remonto ir techninės priežiūros darbų pasiekiamumą. Jei jūsų pardavėjas nėra techninės

priežiūros atstovas, paprašykite jo informacijos apie artimiausią techninės priežiūros atstovą.

Priežiūros grafikas

Techninės priežiūros intervalai apskaičiuojami pagal kasdienį gaminio naudojimą. Intervalai keičiasi, jei gaminys naudojamas kasdien.

Techninės priežiūros informacijos, pažymėtos *, žr. instrukcijas, pateikiamas *Naudojimo saugos instrukcijos psl. 369.*

	Kiekvieną kartą naudojant	Kiekvieną mėnesį	Kas sezoną
Atlikti bendrąją apžiūrą	X		
Nuvalyti įrenginį	X		
Patikrinti apsaugą nuo netyčinio užvedimo *	X		
Įsitikinti, kad gaminio saugos įtaisai nepažeisti *	X		
Patikrinti pjovimo įrangą	X		
Patikrinti pjovimo įrangos gaubtą *	X		
Patikrinti variklio stabdymo rankeną *	X		
Įsitikinti, kad tinkamai veikia ir nepažeistas [JUNGIMO / IŠJUNGIMO] mygtukas	X		

	Kiekvie- ną kartą naudo- jant	Kiekvie- ną mė- nesį	Kas se- zoną
Patikrinti, ar nepažeistas akumuliatorius	X		
Patikrinti akumuliatoriaus įkrovą	X		
Patikrinti, ar tinkamai veikia akumuliatoriaus atlaisvinimo mygtukai ir ar akumu- liatorius užsifiksuoja gaminyje	X		
Patikrinti, ar nepažeistas akumuliatoriaus įkroviklis, ir įsitikinti, kad jis veikia tin- kamai		X	
Patikrinti jungtis tarp akumuliatoriaus ir gaminio. Taip pat patikrinti jungtį tarp akumuliatoriaus ir akumuliatoriaus įkroviklio.			X

Bendroji apžiūra

- Įsitikinkite, kad gaminio veržlės ir varžtai priveržti.
- Įsitikinkite, kad gaminio kabeliai nėra tokioje padėtyje, kurioje jie galėtų būti pažeisti.

Gaminio valymas

- Plastikines dalis valykite švaria ir sausa šluoste.
- Valydami gaminį nenaudokite vandens. Vandeniui pateikus į akumuliatorių arba variklį gali įvykti trumpasis jungimas arba gaminys gali sugesti.
- Gaminio neplaukite aukšto slėgio plovimo aparatu.
- Nepilkite vandens tiesiai ant variklio.
- Lapus, žolę ir purvą nuvalykite šepetiu.

Akumuliatoriaus ir akumuliatoriaus įkroviklio valymas



PASTABA: Nevalykite akumuliatoriaus ar įkroviklio vandeniu.

- Prieš prijungdami akumuliatorių prie įkroviklio, įsitikinkite, kad akumuliatorius ir akumuliatoriaus įkroviklis yra švarūs ir sausi.
- Nupūskite akumuliatoriaus gnybtus suspaustu oru ir nuvalykite švelnia ir sausa šluoste.
- Nuvalykite akumuliatorių ir akumuliatoriaus įkroviklį švelnia ir sausa šluoste.

Pjovimo įrangos patikrinimas



PERSPĖJIMAS: Kad išvengtumėte netyčinio paleidimo, pasukite apsauginį raktelį į padėtį „0“, išimkite akumuliatorių ir palaukite mažiausiai 5 sekundes.



PERSPĖJIMAS: Pjovimo įrangos techninės priežiūros darbus atlikite

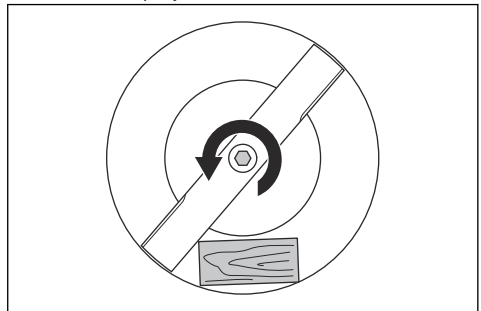
apsimovę apsaugines pirštines. Peilis labai aštrus ir gali lengvai įpjauti.

1. Patikrinkite, ar pjovimo įranga nepažeista ir neįskilusi. Visada pakeiskite pažeistą pjovimo įrangą.
2. Apžiūrėkite peilį, ar jis nepažeistas ir neatšipęs.

Pasižymėkite: Pagalandus peilį jį reikia subalansuoti. Pagalasti, pakeisti ir subalansuoti peilį turi techninės priežiūros centro darbuotojai. Jei susidūrėte su kliūtimi, dėl kurios įrenginys sustojo, pakeiskite pažeistą peilį. Leiskite techninės priežiūros centro darbuotojams nuspręsti, ar peilį dar galima galasti, ar jau reikia keisti.

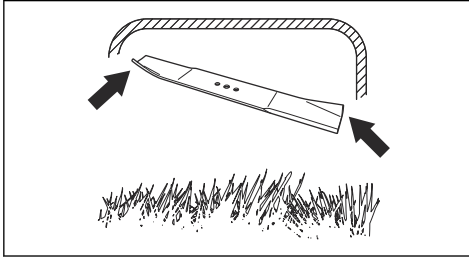
Peilio išėmimas ir pakeitimas

1. Užfiksuokite peilį medžio bloku.

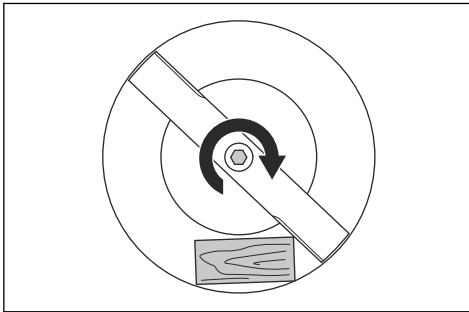


2. Nusukite peilio tvirtinimo varžtą.
3. Nuimkite peilį.
4. Patikrinkite peilio atramą ir peilio tvirtinimo varžtą, ar jie nepažeisti.
5. Patikrinkite variklio veleną, kad įsitikintumėte, ar jis nesulenktas.

6. Įdėję naują peilį nukreipkite jo kampus pjovimo įrangos gaubto kryptimi.



7. Įsitinkinkite, kad peilis sulygiuotas su variklio veleno centru.
8. Užfiksukite peilį medžio bloku. Uždėkite spyruoklinę poveržlę ir priveržkite varžtą su poveržle 23–28 Nm jėga.



9. Ranka pasukite peilį ir patikrinkite, ar jis laisvai sukasi.



PERSPĖJIMAS: Apsimaukite pirštines sunkiam darbui. Peilis labai aštrus ir gali lengvai įpjauti.

10. Paleiskite gaminį, kad išbandytumėte peilį. Jei peilis netinkamai uždėtas, gaminys vibruoja arba pjaunama nepakankamai gerai.

Gedimai ir jų šalinimas

Akumulatorius

Akumulatoriaus LED	Galimi gedimai	Galima procedūra
Mirksi žalias LED indikatorius	Žema akumulatoriaus įtampa	Įkraukite akumulatorių. Žr. <i>Akumulatoriaus įkrovimas psl. 376</i>
Mirksi klaidos LED indikatorius	Silpna akumulatoriaus įkrova	Įkraukite akumulatorių. Žr. <i>Akumulatorius psl. 381</i>
	Darbo aplinkos temperatūra per aukšta arba per žema	Akumulatorių naudokite nuo –10 °C iki 40 °C temperatūroje.
	Viršįtampis	Patikrinkite, ar elektros tinklo įtampa atitinka tą, kuri yra nurodyta ant gaminio parametrų plokštelės. Iš įkroviklio išimkite akumulatorių. Palaukite 5 sekundes ir vėl pabandykite įkrauti akumulatorių. Jeigu problema kartojasi, kreipkitės į įgaliotąjį techninės priežiūros atstovą.
Šviečia klaidos LED indikatorius	Pernelyg didelis blokų skirtumas (1V)	Kreipkitės į patvirtintą techninės priežiūros atstovą.

Akumulatoriaus įkroviklis

Akumulatoriaus įkroviklio LED	Galimi gedimai	Galima procedūra
Mirksi klaidos LED indikatorius	Darbo aplinkos temperatūra per aukšta arba per žema	Akumulatoriaus įkroviklį naudokite nuo 5 °C iki 40 °C temperatūroje.
Šviečia klaidos LED indikatorius		Kreipkitės į patvirtintą techninės priežiūros atstovą

Valdymo skydelis

Klaviatūra	Klaidos kodas (sumirksėjimų skaičius)	Galimi gedimai	Galimi veiksmai
Mirksi klaidos diodas	3	Variklis perkrautas	Padidinkite įjovimo aukštį. Žr. <i>Įjovimo aukščio nustatymas psl. 375.</i>
	5	Variklio greitis per daug sumažėja ir variklis sustoja	
	10	Per daug įkaitęs variklio valdiklis	Išjunkite variklį ir palaukite, kol jis atvės
	2	Užblokuotas peilis	Kad išvengtumėte netyčinio paleidimo, pasukite apsauginį raktelį į padėtį „0“, išimkite akumuliatorių ir palaukite mažiausiai 5 sekundes. Įsitinkite, kad peilis gali laisvai sukstis. Jeigu problema kartojasi, kreipkitės į įgaliotąjį techninės priežiūros atstovą.
	9	Akumulatoriaus klaida arba nėra akumulatoriaus signalo	Tinkamai įstatykite akumuliatorių į gaminį ir patikrinkite akumulatoriaus jungtį. Jei klaidos diodas akumuliatoriuje mirksi. Žr. <i>Akumulatorius psl. 376.</i>
Gaminys sustoja	8	Silpna akumulatoriaus įkrova	Įkraukite akumuliatorių. Žr. <i>Akumulatoriaus įkrovimas psl. 376.</i>
	0	Akumulatoriaus jungties gedimas	Patikrinkite akumulatoriaus jungtį
Kitos klaidos	Jei atsiranda kitų klaidų, pasukite apsauginį raktelį į padėtį „0“, išimkite akumuliatorių ir kreipkitės į patvirtintą techninės priežiūros atstovą.		

Transportavimas, saugojimas ir utilizavimas

Įvadas

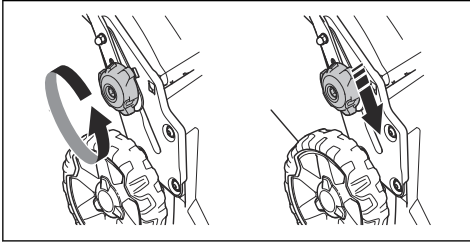


PERSPĖJIMAS: Kad išvengtumėte netyčinio paleidimo transportavimo metu, pasukite apsauginį raktelį į padėtį „0“, išimkite akumuliatorių ir palaukite mažiausiai 5 sekundes.

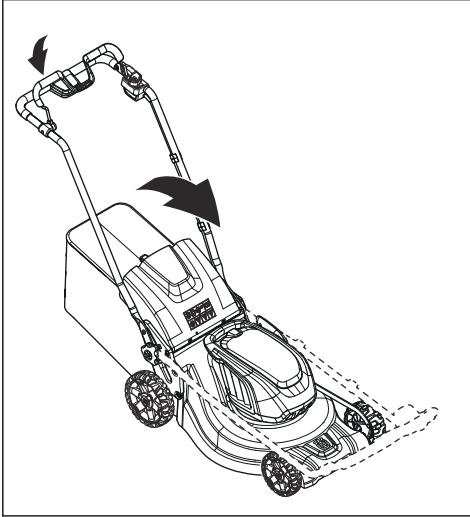
Gaminio nustatymas į gabenimo padėtį

1. Atsukite apatines rankenėles.

2. Stumkite rankenėles iki apatinio griovelių krašto kairėje ir dešinėje produkto pusėje.



3. Nulenkite rankeną pirmyn.



4. Išimkite žolės rinktuva.

Transportavimas

- Įdėtiems ličio jonų akumuliatoriams taikomos pavojingų krovinių gabenimo taisyklės.
- Jei gū krovinys gabenamas komerciniu transportu, būtina laikytis specialių reikalavimų dėl pakavimo ir žymėjimo.
- Ruošdamiesi gaminį transportuoti, užtikrinkite, kad būtų laikomasi pavojingų medžiagų tvarkymo taisyklių. Gali būti taikomi vietos teisės aktai.
- Transportavimo metu visuomet išimkite akumuliatorių.
- Ant akumuliatoriaus jungčių užklijuokite izoliacinę juostą ir įsitinkinkite, kad transportuojant akumuliatorius nejudės.

- Transportuodami gaminį, jį pritvirtinkite.

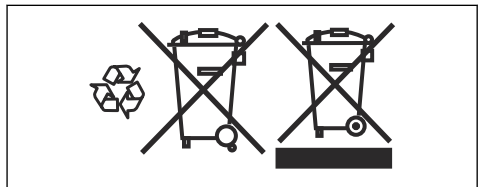
Saugojimas

- Saugojimo metu visuomet išimkite akumuliatorių.
- Kad išvengtumėte nelaimingų atsitikimų, įsitinkinkite, jog akumuliatorius saugojimo metu nėra prijungtas prie gaminio.
- Akumuliatoriaus įkroviklį laikykite uždaroje ir sausoje aplinkoje.
- Akumuliatorių ir akumuliatoriaus įkroviklį laikykite sausoje ir šiltoje vietoje.
- Saugodami atjunkite akumuliatorių nuo akumuliatoriaus įkroviklio.
- Nelaikykite akumuliatoriaus tokioje vietoje, kur gali susidaryti statinis krūvis. Nelaikykite akumuliatoriaus metalinėje dėžutėje.
- Akumuliatorių laikykite aplinkoje, kurios temperatūra yra nuo 5 °C iki 25 °C ir kurios nepasiekia tiesioginiai saulės spinduliai.
- Akumuliatoriaus įkroviklį laikykite aplinkoje, kurios temperatūra yra nuo 5 °C iki 45 °C ir kurios nepasiekia tiesioginiai saulės spinduliai.
- Prieš saugodami ilgesnį laiką pasirūpinkite, kad akumuliatorius būtų įkrautas 30–50 %.
- Gaminį, akumuliatorių ir akumuliatoriaus įkroviklį laikykite rakinamoje patalpoje, kur jų negalėtų pasiekti vaikai ir pašaliniai asmenys.
- Prieš saugodami gaminį ilgesnį laiką, išvalykite jį ir atlikite visus techninės priežiūros darbus.

Utilizavimas

Ant gaminio ar ant jo pakuotės pateikti simboliai rodo, kad šio gaminio negalima išmesti kartu su buitineis atliekomis. Įrenginį reikia atiduoti į atitinkamą perdirbimo įmonę, kuri utilizuotų elektrines ir elektronines dalis.

Rūpindamiesi, kad šis gaminys būtų tvarkomas teisingai, padedate išvengti galimo neigiamo poveikio aplinkai ir žmonėms, kurį gali sukelti netinkamas šio gaminio atliekų tvarkymas. Jei reikia daugiau informacijos apie šio gaminio perdirbimą, kreipkitės į savivaldybę, buitinių atliekų tvarkymo tarnybą arba parduotuvę, kurioje įsigijote gaminį.



Techniniai duomenys

Techniniai duomenys

	LC 247IX/LC 247I	LC 347IVX/LC 347IV	LC 353iVX/LC 353iV
Pelių variklis			
Variklio tipas	BLDC (be šepetėlių) 36 V	BLDC (be šepetėlių) 36 V	BLDC (be šepetėlių) 36 V
Variklio greitis – „SavE“, rpm	2 600	2 600	2 600
Variklio greitis – nominalus, rpm	3 000	3000	3 000
Variklio greitis – didelė apkrova, rpm	3 500	3 500	3 500
Variklio galingumas – maks., kW	0,96	0,96	1,05
Variklio galingumas – nominalus, kW	0,75	0,75	0,9
Pavaros variklis			
Variklio galingumas – nominalus, kW	Nėra	0,25	0,25
Savaeigis greitis, km/h	Nėra	3,0–4,5	3,0–4,5
Greičio lygiai	Nėra	4	4
Svoris			
Svoris be akumulatoriaus, kg	24	26	28
Akumulatorius			
Akumulatoriaus tipas	„Husqvarna“ akumulatorių serija	„Husqvarna“ akumulatorių serija	„Husqvarna“ akumulatorių serija
Akumulatoriaus veikimo laikas			
Akumulatoriaus veikimo laikas, min, (laisva eiga) įjungus „SavE“ funkciją, su vienu „Husqvarna“ 5,2 Ah akumulatoriumi („Bli200“).	43	43	32
Akumulatoriaus veikimo laikas, min, (laisva eiga) standartiniu režimu, su vienu „Husqvarna“ 5,2 Ah akumulatoriumi (Bli200).	30	30	20
Skleidžiamas triukšmas ⁴³			
Garso stiprumo lygis, išmatuotas dB (A)	94	94	97
Garso galios lygis, garantuojamas L _{WA} dB (A)	95	95	98
Garso lygiai ⁴⁴			
Naudotojo ausį veikiantis garso slėgis, dB (A)	82	82	86
Vibracijos lygis ⁴⁵			

⁴³ Triukšmas, skleidžiamas į aplinką, išmatuotas kaip garso galia (L_{WA}) pagal EB direktyvą 2000/14/EB.

⁴⁴ Pateikiamų triukšmo slėgio duomenų būdingoji statistinė sklaida (standartinis nuokrypis) lygi 1,2 dB (A).

⁴⁵ Pateiktuose vibracijos lygio duomenyse yra 0,2 m/s² tipiška statistinė sklaida (standartinis nuokrypis). Vibracijos standartas EN 60335-2-77:2017, 20.105 skyrius

	LC 247IX/LC 247I	LC 347IVX/LC 347IV	LC 353IVX/LC 353IV
Rankena, m/s ²	0,42	0,42	2,64
Pjovimo įranga			
Pjovimo aukštis, mm	20–75 mm	20–75 mm	20–75 mm
Pjovimo plotis, cm	47	47	53
Peilio standartas	Surinkimo 5905934-10	Surinkimo 5905934-10	Surinkimo 5940757-10
Peilio priedai	Mulčiavimo 5907010-10	Mulčiavimo 5907010-10	Mulčiavimo 5950072-10
Žolės rinktuvo galia, litrais	55	55	60

„Bluetooth®“ radijo dažnio duomenys	LC 247IX	LC 347IVX	LC 353IVX
Dažnių juostos, GHz	2,4-2,4835	2,4-2,4835	2,4-2,4835
Išvesties galia, maks. dBm	4	4	4

Patvirtinti akumuliatoriai	Tipas	Akumuliatoriaus talpa, Ah	Įtampa, V	Svoris, svar. / kg
BLi20	Ličio jonų	4,0	36	2,6 / 1,2
BLi30	Ličio jonų	7,7	36	4,2 / 1,9
BLi200	Ličio jonų	5,2	36	2,8 / 1,3
BLi300	Ličio jonų	9,4	36	4,1 / 1,9

Patvirtinti įkrovikliai nurodytiems akumuliatoriams, BLI	Įvado įtampa, V	Dažnis, Hz	Galia, W
QC80	100–240	50–60	80
QC80F	12	0	80
QC250	100–240	50–60	250
QC330	100–240	50–60	330
QC500	100–240	50–60	500

EB atitikties deklaracija

EB atitikties deklaracija

Husqvarna AB, SE-561 82 Huskvarna, Švedija, tel. +46-36-146500, patvirtina, kad **vejapjovės Husqvarna LC 247i, LC 247iX, LC 347iV, LC 347iVX, LC 353iV, LC 353iVX**, pagamintos nuo 2018, atitinka TARYBOS DIREKTYVŲ reikalavimus:

- 2011 m. birželio 8 d. direktyvos **2011/65/ES** dėl tam tikrų pavojingų medžiagų naudojimo;
- 2006 m. gegužės 17 d. Direktyvos **2006/42/EB** dėl mašinų;
- 2000 m. gegužės 8 d. Direktyvos **2000/14/EB** dėl į aplinką skleidžiamo triukšmo.

Daugiau informacijos apie triukšmo skleidimą žr. *Techniniai duomenys psl. 384.*

Taikyti šie standartai:

EN/IEC 60335-1, EN/IEC 60335-2-77, EN/IEC 62233, EN 55014-1, EN ETSI 301 489-7 v1.3.1, EN 61000-6,

ETSI EN 61000-6-1, EN 300 328 BT low energy Tx/Rx, EN 50581

Jei nenurodyta kitaip, taikomos naujausios paskelbtos nurodytų standartų versijos.

Notifikuotoji įstaiga: **0404, RISE SMP Svensk Maskinprovning AB, Box 7035, SE-750 07 Uppsala** atliko atitikties vertinimą pagal Direktyvos 2000/14/EB VI priedą.

Huskvarna, 2020-04-22



Claes Losdal, plėtros vadovas / sodo produktai (įgaliotasis „Husqvarna AB“ atstovas, atsakingas už techninę dokumentaciją.)

Registruotieji prekiniai ženklai

Bluetooth® pavadinimas ir logotipai yra registruotieji prekės ženklai, priklausantys *Bluetooth SIG, inc.*, ir „Husqvarna“ juos naudoja pagal licenciją.

Saturs

Ievads.....	387	Problēmu novēršana.....	406
Drošība.....	391	Pārvadāšana, glabāšana un utilizēšana.....	408
Montāža.....	399	Tehniskie dati.....	409
Lietošana.....	400	EK atbilstības deklarācija.....	412
Apkope.....	405	Reģistrētās preču zīmes.....	412

Ievads

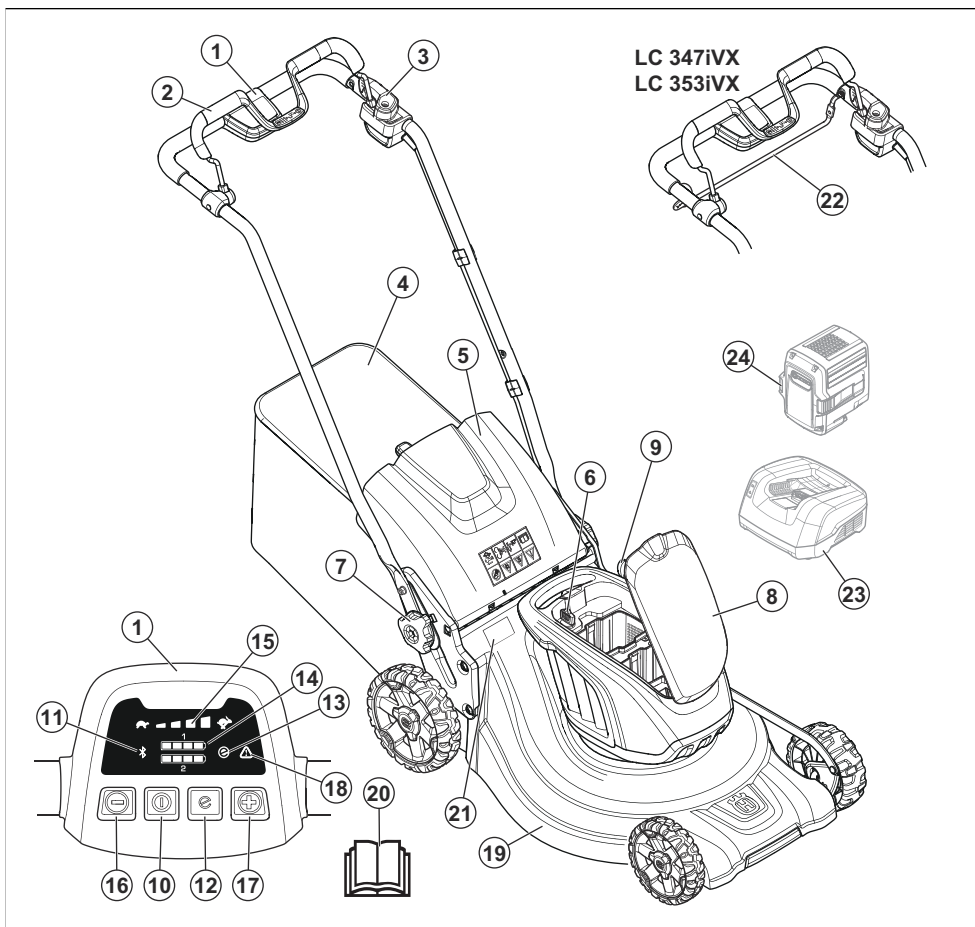
Izstrādājuma apraksts

Izstrādājums ir gājējam vadāmais rotējošais zāles plāvējs. Zāle tiek savākta zāles savācējā. Lai piekļūtu zāles aizmuģurējam izmetējam, noņemiet zāles savācēju. Lai sagrieztu zāli mēslojumam, piestipriniet mulčēšanas komplektu (papildpiederumu).

Paredzētā lietošana

Izmantojiet izstrādājumu, lai apgrieztu zāli. Nelietojiet izstrādājumu citiem uzdevumiem.

Izstrādājuma pārskats



- | | |
|---|---|
| 1. Vadības panelis | 15. Ātruma līmeņa indikators (LC 347iV, LC 347iVX, LC 353iV, LC 353iVX) |
| 2. Motora bremžu rokturis | 16. Ātruma samazināšanas poga (LC 347iV, LC 347iVX, LC 353iV, LC 353iVX) |
| 3. Iedarbināšanas ierobežotājs | 17. Ātruma palielināšanas poga (LC 347iV, LC 347iVX, LC 353iV, LC 353iVX) |
| 4. Zāles savācējs | 18. Kļūdu LED indikators |
| 5. Aizmugurējais aizsegs | 19. Griezēja pārsegs |
| 6. Drošības atslēga | 20. Lietošanas rokasgrāmata |
| 7. Stūres mezgls | 21. Datu plāksnīte |
| 8. Akumulatora pārsegs | 22. Piedziņas rokturis (LC 347iV, LC 347iVX, LC 353iV, LC 353iVX) |
| 9. Griešanas augstuma vadības ierīce | 23. Akumulatora lādētājs (piederums) |
| 10. Ieslēgšanas/izslēgšanas poga | 24. Akumulators (piederums) |
| 11. Bezvadu tehnoloģijas <i>Bluetooth</i> [®] indikators | |
| 12. Poga SavE | |
| 13. Indikators SavE | |
| 14. Akumulatora indikators | |

Simboli uz produkta



BRĪDINĀJUMS! Esiet uzmanīgs un lietojiet izstrādājumu pareizi. Šis izstrādājums var izraisīt smagas vai nāvējošas traumas operatoram vai citām personām.



Rūpīgi izlasiet šo lietotāja rokasgrāmatu un pirms izstrādājuma lietošanas pārlicinieties, vai izprotat instrukcijas.



Nodrošiniet, lai darba zonā neatrastos cilvēki un dzīvnieki.



Uzmanieties no mestiem un rikošetā atlecošiem priekšmetiem.



Brīdinājums! Turiet rokas un kājas drošā attālumā no rotējošiem asmeņiem.



Brīdinājums! Turiet rokas un kājas drošā



Pirms remonta vai apkopes darbu veikšanas izņemiet drošības atslēgu



Nepakļaujiet ierīci lietus iedarbībai.



Tālāk esošais simbols nozīmē, ka produkts nav sadzīves atkritumi. Utilizējiet to elektrisko un elektronisko ierīču pārstrādes uzņēmumā.



Šis produkts atbilst spēkā esošajām EK direktīvām.



Šis produkts atbilst spēkā esošajām Baltkrievijas, Kazahstānas un Krievijas Muitas savienības direktīvām.



Šis produkts atbilst spēkā esošajām UkrSEPRO direktīvām.



Šis produkts atbilst spēkā esošajām

RCM direktīvām.
Attiecas tikai uz
Austrāliju un
Jaunzēlandi.



Skenējams kods



Trokšņa izplūde vidē atbilstoši Eiropas Direktīvai 2000/14/EK un Jaundienvīdvelsas tiesību aktam “Darba vides aizsardzības (trokšņa kontroles) regula (2017)”. Trokšņa emisijas dati ir atrodami uz izstrādājuma etiķetes un tehnisko datu nodaļā.

IPX1 Produkts ir aizsargāts pret šķidrums iekļūšanu tajā.

Iedarbināšanas procedūra: nospiediet ieslēgšanas/izslēgšanas pogu, atbrīvojiet iedarbināšanas ierobežotāju, nospiediet motora bremžu rokturi uz leju.



Atļaidiet motora bremžu rokturi, lai apturētu.



Lēni



Ātri

Piezīme: Pārējie uz izstrādājuma norādītie simboli/norādes atbilst dažu valstu sertifikācijas prasībām.

Marķējumi uz produkta



Turiet rokas un kājas drošā attālumā no rotējošiem asmeņiem.

Atbildība par izstrādājuma kvalitāti

Saskaņā ar likumiem par izstrādājuma kvalitāti mēs neuzņemamies atbildību par bojājumiem, ko radījis mūsu izstrādājums, ja:

- ir veikts nepareizs izstrādājuma remonts;
- izstrādājuma remonts ir veikts, izmantojot detaļas, ko nav nodrošinājis vai apstiprinājis ražotājs;
- izstrādājumam tiek pievienots piederums, ko nav nodrošinājis vai apstiprinājis ražotājs;
- izstrādājuma remonts nav veikts pilnvarotā remontdarbnīcā vai pie pilnvarota speciālista.

Drošības definīcijas

Brīdinājumi, norādes “Uzmanību!” un piezīmes tiek izmantotas, lai izceltu īpaši svarīgas lietotāja rokasgrāmatas daļas.



BRĪDINĀJUMS: Tiek izmantota tad, ja rokasgrāmatā sniegto instrukciju neievērošanas dēļ operatoram vai blakus esošajām personām draud traumu vai nāves risks.



IEVĒROJIET: Tiek izmantota tad, ja rokasgrāmatā sniegto instrukciju neievērošanas dēļ rodas izstrādājuma, citu materiālu vai blakus esošās teritorijas bojājuma risks.

Piezīme: Tiek izmantota, lai sniegtu plašāku informāciju, kas nepieciešama attiecīgajā situācijā.

Vispārīgi norādījumi par drošību



BRĪDINĀJUMS: Pirms sākat lietot izstrādājumu, izlasiet tālāk izklāstītās brīdinājuma instrukcijas.

- Šis izstrādājums ir bīstams, ja to lieto nepareizi vai ja nerīkojaties piesardzīgi. Drošības instrukciju neievērošana var izraisīt traumas vai nāvi.
- Šis izstrādājums darbības laikā rada elektromagnētisko lauku. Noteiktos apstākļos šis lauks var traucēt aktīvā vai pasīvā medicīniskā implantāta darbību. Lai samazinātu nopietnas traumas gūšanas vai dzīvības zaudēšanas risku, mēs iesakām personām, kam ir medicīniskie implantāti, pirms šī izstrādājuma lietošanas konsultēties ar savu ārstu un medicīniskā implantāta ražotāju.
- Vienmēr rīkojieties piesardzīgi un saprātīgi. Ja neesat drošs par to, kā izmantot šo izstrādājumu konkrētā situācijā, pārtrauciet darbu un sazinieties ar savu Husqvarna izplatītāju, pirms turpināt.

- Paturiet prātā, ka operators ir atbildīgs par negadījumiem, kuros iesaistītas citas personas.
- Gādājiet, lai izstrādājums ir fīrs. Pārlicinieties, ka varat skaidri izlasīt zīmes un uzlīmes.
- Nekādā gadījumā neļaujiet lietot ierīci bērniem vai cilvēkiem, kas nepārzina instrukcijas. Lietotāja vecums var būt norādīts vietējos noteikumos
- Ja izstrādājumu izmanto persona ar samazinātām fiziskajām vai garīgajām spējām, vienmēr uzraugiet šo personu. Tuvumā vienmēr jābūt pieaugušajam.
- Neizmantojiet šo izstrādājumu, ja esat noguris, slims vai esat alkohola, narkotiku vai medikamentu izraisītā reibumā. Šāds stāvoklis negatīvi ietekmē jūsu redzi, modrību, koordināciju un spriestspēju.
- Neizmantojiet izstrādājumu, ja tas ir bojāts.
- Neveiciet izmaiņas šajā izstrādājumā un neizmantojiet to, ja ir iespējams, ka citas personas tajā ir veikušas izmaiņas.

Darba zonas drošība



BRĪDINĀJUMS: Pirms sākat lietot šo izstrādājumu, izlasiet zemāk izklāstītos brīdinājumus.

- Pirms izmantojat izstrādājumu, noņemiet no darba zonas priekšmetus, piemēram, zarus, žaģarus un akmeņus.
- Priekšmeti, kas saskaras ar griešanas ierīci, var atlēkt un nodarīt kaitējumu personām vai citiem priekšmetiem. Gādājiet, lai citi cilvēki un dzīvnieki atrastos drošā attālumā no izstrādājuma.
- Nekad neizmantojiet izstrādājumu sliktos laika apstākļos, piemēram, miglā, lietū, stiprā vējā, lielā aukstumā un pērkona negaisa laikā. Izstrādājuma izmantošana sliktos laika apstākļos vai mitrā vai slapjā vietā ir nogurdinoša. Slikti laikapstākļi var izraisīt bīstamas situācijas, piemēram, padarot virsmas slidenas.
- Pārlicinieties, vai nav personu, priekšmetu un situāciju, kas var kavēt izstrādājuma drošu darbību.

- Skatieties, vai nav šķēršļu, piemēram, sakņu, akmeņu, zaru, bedru un grāvju. Garā zālē var atrasties dažādi šķēršļi.
- Pļaušana uz nogāzēm var būt bīstama. Nepļaujiet ļoti stāvās nogāzēs. Neizmantojiet izstrādājumu uz virsmas, kuras slīpums pārsniedz 15°
- Mainot braukšanas virzienu nogāzē, esiet īpaši piesardzīgs. Uz nogāzēm ar izstrādājumu strādājiet, virzoties šķērsām tām. Nepārvietojieties augšup un lejup.
- Esiet uzmanīgi, kad tuvojaties stūriem, aiz kuriem nekas nav redzams, un priekšmetiem, kas aizsedz redzamību.
- Pārliecinieties, vai zināt, kā ārkārtas situācijā ātri apturēt dzinēju.
- Nedarbiniet produktu lietus laikā un nepakļaujiet to lietus vai mitruma iedarbībai. Ja produktā iekļūst ūdens, palielinās elektriskās strāvas trieciena risks.
- Nedarbiniet izstrādājumu, ja asmens un visi pārsegi nav piestiprināti pareizi. Nepareizi piestiprināts asmens var kļūt vaļīgs un izraisīt traumas personai.
- Pārliecinieties, ka asmens neatsitas pret priekšmetiem, piemēram, akmeņiem un saknēm. Tas var sabojāt asmeni un saliekt dzinēja vārpstu. Saliekts asmens izraisa stipru vibrāciju un rada ļoti lielu risku, ka asmens kļūst vaļīgs.
- Ja asmens saskaras ar priekšmetu vai rodas spēcīgas vibrācijas, nekavējoties izslēdziet izstrādājumu. Izslēdziet dzinēju, pagrieziet drošības atslēgu pozīcijā "0" un izņemiet akumulatoru. Pārbaudiet, vai izstrādājumā nav bojājumu. Novērsiet bojājumus vai ļaujiet pilnvarotā servisa pārstāvim veikt remontu.

Darba drošība



BRĪDINĀJUMS: Pirms sākat lietot izstrādājumu, izlasiet tālāk izklāstītās brīdinājuma instrukcijas.

- Izmantojiet šo izstrādājumu tikai zālienu pļaušanai. Izstrādājumu nav atļauts izmantot citu darbu veikšanai.
- Lietojiet individuālos aizsardzības līdzekļus. Skatiet šeit: *Individuālie aizsarglīdzekļi lpp. 394.*

- Nekādā gadījumā nepiestipriniet dzinēja bremžu rokturi pastāvīgi rokturim, kad dzinējs ir iedarbināts.
- Novietojiet izstrādājumu uz stabilas, līdzenas virsmas un iedarbiniet to. Pārliedzinieties, vai asmens nepieskaras zemei vai citiem priekšmetiem.
- Darbinot izstrādājumu, vienmēr stāviet aiz tā.
- Darbinot izstrādājumu, raugiet, lai visi četri riteņi atrodas uz zemes un turiet rokturi ar abām rokām. Turiet rokas un kājas drošā attālumā no rotējošiem asmeņiem.
- Nekad nenolieciet izstrādājumu dzinēja darbības laikā.
- Esiet piesardzīgs, velkot izstrādājumu uz aizmuguri.
- Nekādā gadījumā neceliet izstrādājumu uz augšu dzinēja darbības laikā. Ja zāles plāvējs ir jāpaceļ, vispirms izslēdziet dzinēju, pagrieziet drošības atslēgu pozīcijā "0" un izņemiet akumulatoru.
- Neejiet atmuguriski izstrādājuma lietošanas laikā.
- Izslēdziet dzinēju, kad pārvietojaties pa teritorijām, ko neklāj zāle, piemēram, pa grants, akmens vai asfalta celiņiem.

- Nekādā gadījumā nesekojiet ar izstrādājumu dzinēja darbības laikā. Darbinot izstrādājumu, vienmēr ejiet.
- Apturiet dzinēju, pirms maināt griešanas augstumu. Nekādā gadījumā nemēģiniet veikt regulēšanas darbus dzinēja darbības laikā.
- Nekad neatstājiet izstrādājumu bez uzraudzības dzinēja darbības laikā. Izslēdziet dzinēju un pārliedzinieties, vai griešanas aprīkojums nerotē.

Norādījumi par drošu darbu

Individuālie aizsarglīdzekļi



BRĪDINĀJUMS: Pirms sākat lietot izstrādājumu, izlasiet tālāk izklāstītās brīdinājuma instrukcijas.

- Šādi līdzekļi nevar pilnībā novērst traumu gūšanas risku, taču samazina traumu smaguma pakāpi, ja negadījums tomēr notiek. Ļaujiet izplatītājam palīdzēt jums izvēlēties pareizo aprīkojumu.
- Velciet izturīgus zābakus vai kurpes, kas neslīd. Nevelciet vaļējas kurpes un neejiet ar basām kājām.
- Velciet izturīgas garās bikses.

- Vajadzības gadījumā izmantojiet aizsargcimdus, piemēram, piestiprinot, pārbaudot vai tīrot griešanas aprīkojumu.

Izstrādājuma drošības ierīces



BRĪDINĀJUMS: Pirms sākat lietot izstrādājumu, izlasiet tālāk izklāstītās brīdinājuma instrukcijas.

- Nelietojiet izstrādājumu ar bojātām drošības ierīcēm.
- Regulāri pārbaudiet drošības ierīces. Ja drošības ierīces ir bojātas, sazinieties ar savu Husqvarna servisa pārstāvi.

Griezēja pārsega pārbaude

Griezēja pārsegs samazina izstrādājuma vibrācijas un asmens radītu ievainojumu gūšanas risku.

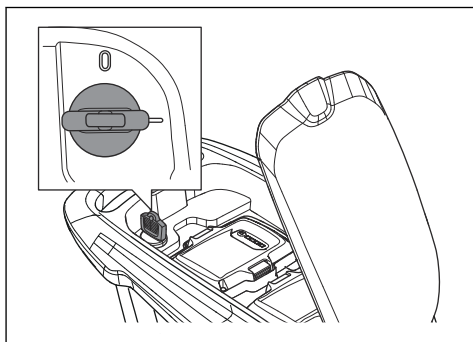
- Pārbaudiet griezēja pārsegu, lai pārlicinātos, vai nav bojājumu, piemēram, plaisu.

Drošības atslēga

Drošības atslēga ir zem akumulatora pārsega. Drošības

atslēga savieno akumulatoru, kas dzinējam nodrošina jaudu.

- Lai pārbaudītu drošības atslēgu, iedarbiniet un izslēdziet motoru.
- Ja drošības atslēga darbojas pareizi, motoru var iedarbināt tikai, kad drošības atslēga tiek pagriezta pozīcijā "1".



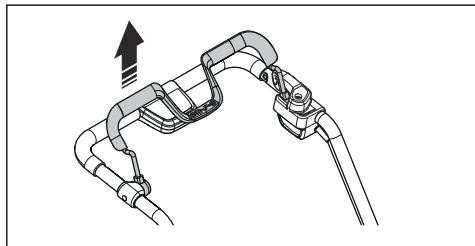
Motora bremžu rokturis

Dzinēja bremžu rokturis aptur dzinēju. Atlaižot dzinēja bremžu rokturi, dzinējs apstājas.

Lai pārbaudītu dzinēja bremzes, iedarbiniet dzinēju un pēc tam atlaidiet dzinēja bremžu rokturi. Ja dzinējs neapstājas 3 sekundēs, lieciet pilnvarotā

Husqvarna apkopes pārstāvim noregulēt dzinēja bremzes.

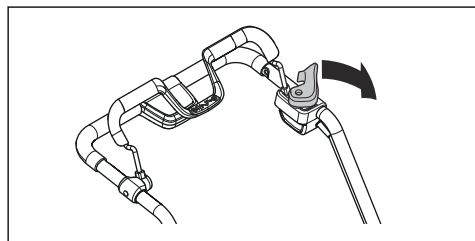
izlasiet tālāk izklāstītās brīdinājuma instrukcijas.



Iedarbināšanas ierobežotāja pārbaude

Pārbaudiet iedarbināšanas ierobežotāju, lai pārliecinātos, ka tas novērš dzinēja darbību.

1. Pabīdiet bremžu rokturi stūres virzienā. Iedarbināšanas ierobežotājs aptur kustību.
2. Izstumiet iedarbināšanas ierobežotāju.



3. Atlaidiet iedarbināšanas ierobežotāju un pārliecinieties, ka tas atgriežas sākotnējā pozīcijā.

Akumulatora drošības norādes



BRĪDINĀJUMS: Pirms sākat lietot izstrādājumu,

- Izmantojiet Husqvarna atkārtoti uzlādējamus akumulatorus kā strāvas avotu tikai saistītiem Husqvarna produktiem. Lai nepieļautu traumu gūšanas risku, akumulatoru nedrīkst izmantot kā citu izstrādājumu strāvas avotu.
- Nelietojiet vienreiz lietojamus akumulatorus.
- Elektriskās strāvas trieciena risks. Nesavienojiet akumulatora spaiļes ar atslēgām, monētām, skrūvēm vai citiem metāla priekšmetiem. Tas var izraisīt akumulatora īssavienojumu.
- Neievietojiet nekādus priekšmetus akumulatora gaisa atverēs.
- Neglabājiet akumulatoru vietās, ka ir pakļautas tiešai saulesgaismai, karstumam vai atklātām liesmām. Akumulators var eksplodēt un radīt apdegumus un/vai ķīmiskos apdegumus.
- Akumulatoru nedrīkst pakļaut lietus un mitruma ietekmei.
- Akumulatoru nedrīkst pakļaut mikroviļņu un augsta spiediena ietekmei.

- Akumulatoru nedrīkst izjaukt vai saspīest.
- Ja rodas akumulatora noplūde, neļaujiet šķidrumam nonākt saskarē ar ķermeni vai acīm. Ja pieskaraties šķidrumam, nomazgājiet skarto vietu ar lielu daudzumu ūdens un meklējiet medicīnisko palīdzību.
- Akumulatoru drīkst temperatūrā no -10 °C līdz 40 °C.
- Netīriet akumulatoru un tā lādētāju ar ūdeni. Skatiet šeit: *Akumulatora un akumulatora lādētāja tīrīšana lpp. 405.*
- Nelietojiet defektīvu vai bojātu akumulatoru.
- Uzglabājiet akumulatorus vietā, kur tuvumā nav metāla priekšmetu, piemēram, naglu, monētu, rotaslietu.

Akumulatora lādētāja drošības norādes



BRĪDINĀJUMS: Pirms sākat lietot izstrādājumu, izlasiet tālāk izklāstītās brīdinājuma instrukcijas.

- Izmantojiet QC akumulatoru lādētājus tikai Husqvarna rezerves akumulatoru uzlādei.
- Pastāv elektriskās strāvas trieciena vai īssavienojuma risks. Neievietojiet nekādus priekšmetus lādētāja gaisa atverēs. Nemēģiniet demontēt akumulatora lādētāju. Nesavienojiet lādētāja spaiļes ar metāla priekšmetiem. Izmantojiet pārbaudītu elektrotīkla kontaktligzdu.
- Šis izstrādājums darbības laikā rada elektromagnētisko lauku. Noteiktos apstākļos šis lauks var traucēt aktīvā vai pasīvā medicīniskā implantāta darbību. Lai samazinātu risku nokļūt apstākļos, kad var tikt gūtas smagas vai letālas traumas, mēs iesakām personām, kurām ir medicīniskie implantāti, pirms šī izstrādājuma lietošanas konsultēties ar savu ārstu un medicīniskā implantāta ražotāju.
- Regulāri pārlicinieties, vai akumulatora lādētāja strāvas vads nav bojāts un vai tajā nav plaisu.
- Nevelciet akumulatora lādētāju aiz strāvas vada. Lai akumulatora lādētāju atvienotu no elektrotīkla kontaktligzdas, izraujiet kontaktdakšu. Nevelciet aiz strāvas vada.
- Strāvas vadu un pagarinājuma kabeļus turiet tālāk prom no ūdens, eļļas un asām apmalēm. Nodrošiniet, lai

kabelis netiktu iespiests durvīs, nožogojumos un līdzīgās konstrukcijās. Tādā gadījumā var notikt strāvas izvade no lādētāja.

- Netīriet akumulatora lādētāju ar ūdeni.
- Akumulatora lādētāju drīkst izmantot bērni no 8 gadu vecuma un cilvēki ar ierobežotām fiziskām, sensorām vai garīgām spējām vai bez pieredzes un zināšanām tikai atbildīgās personas uzraudzībā vai pēc norādījumu par akumulatora lādētāja lietošanu drošā veidā saņemšanas un iespējamo risku izprašanas. Bērni nedrīkst spēlēties ar šo akumulatora lādētāju. Ierīces tīrīšanu un apkopes darbus bērni drīkst veikt tikai atbildīgās personas uzraudzībā.
- Neizmantojiet akumulatora lādētāju tādu akumulatoru uzlādei, kas nav atkārtoti uzlādējami.
- Nelietojiet akumulatora lādētāju viegli uzliesmojošu materiālu vai materiālu, kas var izraisīt koroziju, tuvumā. Nepārklājiet akumulatora lādētāju. Ja konstatējat dūmus vai uguni, izraujiet

akumulatora lādētāja kontaktdakšu.

- Nelietojiet defektīvu vai bojātu akumulatora lādētāju.
- Lādējiet akumulatoru tikai telpā, kur ir laba gaisa plūsma un kur tas nav pakļauts saules gaismai. Nelādējiet akumulatoru mitrumā.

Norādījumi par drošu apkopi



BRĪDINĀJUMS: Pirms sākat lietot izstrādājumu, izlasiet tālāk izklāstītās brīdinājuma instrukcijas.

- Lai nepieļautu nejaušu iedarbināšanu apkopes laikā, pagrieziet drošības atslēgu pozīcijā "0" un izņemiet akumulatoru. Uzgaidiet vismaz 5 sekundes, pirms sākat apkopi.
- Veiciet apkopes darbus pareizi, lai palielinātu produkta kalpošanas laiku un samazinātu nelaimes gadījumu risku. Ļaujiet profesionālos remontdarbus veikt pilnvarotam apkopes pārstāvim. Lai iegūtu papildinformāciju, sazinieties ar jums tuvāko apkopes pārstāvi.
- Veiciet tikai tos apkopes darbus, kas norādīti lietotāja

rokasgrāmatā. Sarežģītāki darbi ir jāveic pilnvarotam apkopes pārstāvim.

- Lietojot griešanas aprīkojumu, uzvelciet izturīgus cimdus. Asmens ir ļoti ass, un ar to var viegli sagriezties.
- Uzturiet griezēja malas ir asas un tīras, lai nodrošinātu vislabāko un drošāko veiktspēju.
- Nodrošiniet, lai produktu regulāri pārbaudītu servisa centra darbinieki un tiktu veikta vajadzīgā regulēšana un remontdarbi.

- Nomainiet bojātās, nodilušās un salūzušās detaļas.
- Ievērojiet piederumu maiņas norādījumus. Lietojiet tikai ražotāja apstiprinātos piederumus.
- Kad tos neizmantojat, turiet produktu, akumulatoru un akumulatora lādētāju atstatu vienu no otra telpās un slēgtā vietā. Pārliecinieties, vai bērni un nesankcionētas personas nevar piekļūt produktam, akumulatoram vai akumulatora lādētājam.

Montāža

Ievads



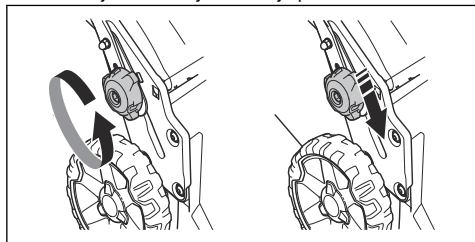
BRĪDINĀJUMS: Pirms izstrādājuma montāžas izlasiet sadaļu par drošību.



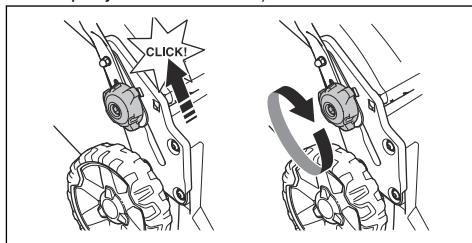
BRĪDINĀJUMS: Lai nepieļautu nejaušu iedarbināšanu montāžas laikā, pagrieziet drošības atslēgu pozīcijā "0", izņemiet akumulatoru un nogaidiet vismaz 5 sekundes.

Roktura regulēšana

1. Atlaidiet apakšējos fiksatorus.
2. Pārvietojiet fiksatorus uz rievu apakšējo galu izstrādājuma kreisajā un labajā pusē.



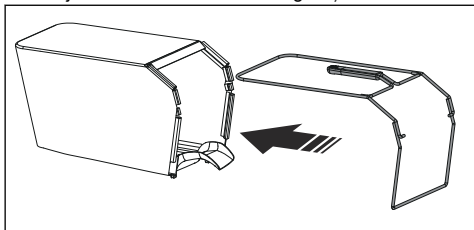
3. Iestatiet roktura augstumu vienā no diviem pieejamiem stāvokļiem.
4. Pārvietojiet fiksatorus uz augšu roktura virzienā, līdz tie apstājas un atskan klikšķis.



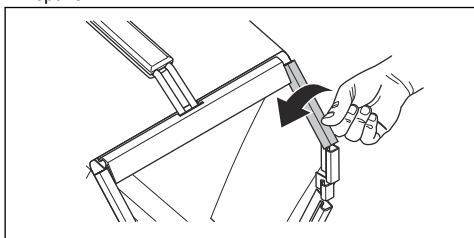
5. Pilnībā pievelciet fiksatorus.

Zāles savācēja montāža

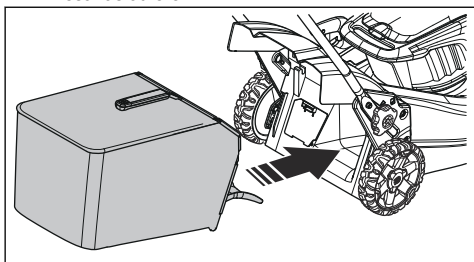
1. Piestipriniet zāles uztvērēja rāmi zāles maisam tā, lai maisa stingrā daļa būtu apakšā. Nodrošiniet, lai rāmja rokturis ir zāles maisa augšdaļā.



2. Iestipriniet zāles uztvērēja rāmja apakšdaļu zāles uztvērēja apakšdaļas rievā.
3. Piestipriniet zāles maisu zāles uztvērēja rāmim ar spailēm.

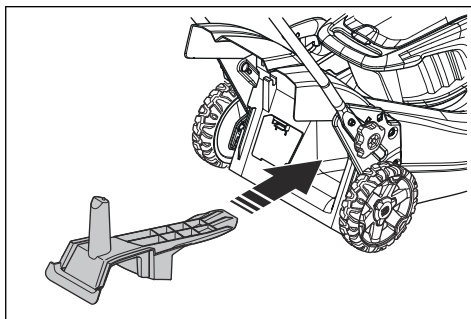


4. Paceliet aizmugurējo pārsegu.
5. Piestipriniet zāles savācēju pie šasijas augšmalas.
6. Ievietojiet zāles savācēja apakšējo daļu zāles izmešanas atverē.



Mulčēšanas aizbāžņa (piederums) montāža

1. Paceliet aizmugurējo pārsegu un noņemiet zāles savācēju.
2. Ievietojiet mulčēšanas ieliktni zāles izmešanas atverē.



3. Nomainiet asmeni pret mulčēšanas asmeni, kas tiek nodrošināts mulčēšanas komplektā. Skatiet šeit: *Asmens noņemšana un nomaīņa lpp. 406.*

Lietošana

Ievads



BRĪDINĀJUMS: Pirms sākat darbu ar produktu, izlasiet nodaļu par drošību un pārļiecinieties, vai saprotat to.

Husqvarna Connect

Husqvarna Connect ir bezmaksas lietotne jūsu mobilajai ierīcei. Lietotne Husqvarna Connect nodrošina paplašinātas funkcijas jūsu Husqvarna izstrādājumam:

- Paplašināta izstrādājuma informācija.
- Informācija par izstrādājuma daļām un apkopi un palīdzība ar to.

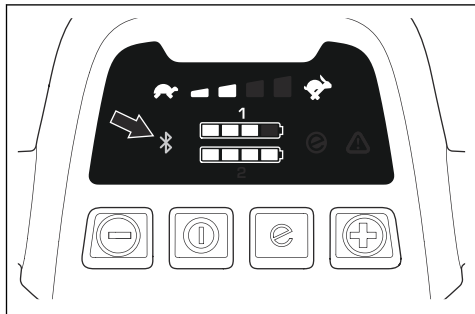
Lai sāktu izmantot Husqvarna Connect

1. Lejupielādējiet Husqvarna Connect lietotni savā mobilajā ierīcē.
2. Reģistrējieties Husqvarna Connect lietotnē.
3. Izpildiet Husqvarna Connect lietotnē sniegtos norādījumus, lai savienotu un reģistrētu produktu.

Bluetooth® Informācija (LC 247iX, LC 347iVX, LC 353iVX)

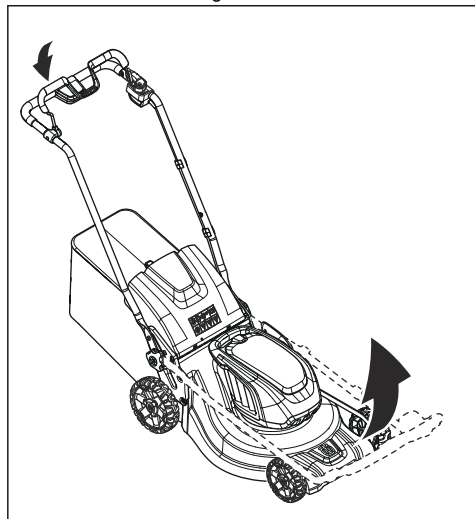
Bezvadu tehnoloģija Bluetooth®

Bezvadu tehnoloģijas *Bluetooth®* simbols ieslēdzas, kad ar izstrādājumu ir savienota jūsu mobilā ierīce.

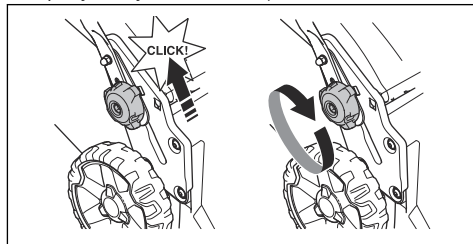


Izstrādājuma novietošana darbības pozīcijā

1. Uzlokiet rokturi uz augšu.



2. Virziet fiksatorus uz augšu roktura virzienā, līdz tie apstājas un jūs dzirdat klikšķi.

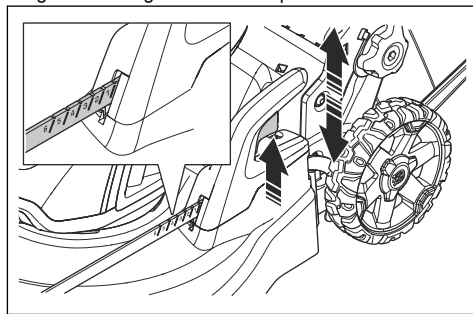


3. Pilnībā pievelciet fiksatorus.

Pļaušanas augstuma regulēšana

Griešanas augstumu var noregulēt 6 līmeņos.

1. Lai samazinātu griešanas augstumu, pārvietojiet griešanas augstuma sviru uz aizmuguri.
2. Lai palielinātu griešanas augstumu, pārvietojiet griešanas augstuma sviru uz priekšu.



IEVĒROJIET: Neiestatiet griešanas augstumu pārāk zemu. Ja zāliena virsma nav līdzena, asmeņi var saskarties ar zemi.

Akumulators

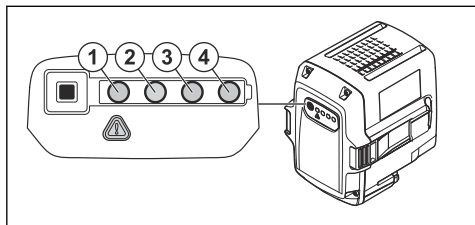


BRĪDINĀJUMS: Pirms izmantojat akumulatoru, izlasiet nodaļu par drošību un pārlicinieties, vai saprotat to. Izlasiet arī akumulatora un akumulatora lādētāja komplektā iekļauto lietotāja rokasgrāmatu un pārlicinieties, vai izprotat to.

Akumulatora statuss

Displejā ir redzams akumulatora atlikušais uzlādes līmenis un akumulatora kļūdu ziņojumi. Akumulatora uzlādes līmenis ir redzams 5 sekundes pēc produkta izslēgšanas vai akumulatora indikatora pogas

nospiešanas. Ja radusies kļūda, iedegas akumulatora brīdinājuma simbols. Skatiet šeit: *Akumulators lpp. 406.*



LED indikatori	Akumulatora statuss
Deg visi LED indikatori	Pilnībā uzlādēts (75–100%)
Deg 1., 2. un 3. LED indikatori	Akumulatora uzlādes līmenis ir 50–75%
Deg 1. un 2. LED indikatori	Akumulatora uzlādes līmenis ir 25–50%
Deg 1. LED indikators	Akumulatora uzlādes līmenis ir 0–25%
Mirgo 1. LED indikators	Akumulators ir tukšs. Uzlādējiet akumulatoru.

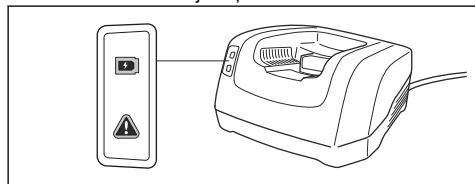
Akumulatora uzlāde

Pirms pirmās lietošanas reizes uzlādējiet akumulatoru. Akumulators ir tikai 30% uzlādēts, kad tiek piegādāts klientam.

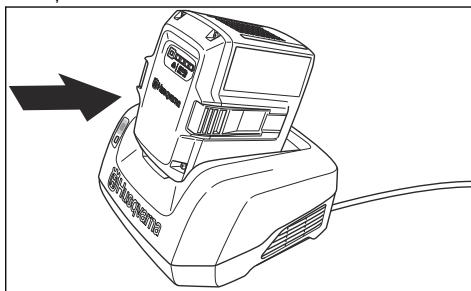
Piezīme: Pievienojiet akumulatora lādētāju strāvas avotam, kura spriegums un frekvence atbilst uz datu plāksnītes norādījumiem.

Akumulators netiek lādēts, ja tā temperatūra pārsniedz 50 °C. Akumulatora lādētājs samazina akumulatora temperatūru, pirms tiek sākta uzlāde.

1. Savienojiet vienu akumulatora lādētāja strāvas vada galu ar akumulatora lādētāja līgzdu.
2. Savienojiet akumulatora lādētāja strāvas vada otru galu ar zemētu kontaktlīgzdu. Vienreiz iemirgosies akumulatora lādētāja zaļais LED indikators.



3. Ievietojiet akumulatoru lādētājā. Kad akumulators ir pareizi savienots ar akumulatora lādētāju, tajā deg zaļais indikators.



4. Kad deg visi akumulatora LED indikatori, akumulators ir pilnībā uzlādēts. Akumulatora uzlādes laiks nedrīkst pārsniegt 24 stundas.
5. Lai atvienotu akumulatora lādētāju no kontaktlīgzdas, velciet kontaktdakšu, nevis strāvas vadu.
6. Izņemiet akumulatoru no lādētāja.

Akumulatora uzlādes statuss

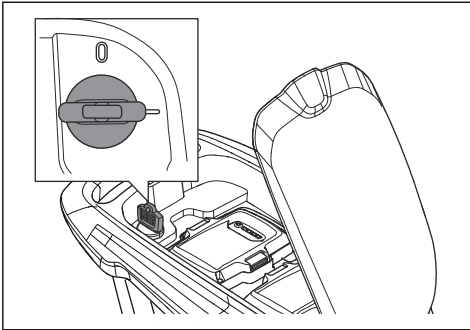
Husqvarna litija jonu akumulatoru drīkst uzlādēt un lietot neatkarīgi no uzlādes līmeņa. Akumulators netiek bojāts. Pilnībā uzlādēts akumulators nesamazinās uzlādes kapacitāti pat tad, ja pēc uzlādes to atstāj lādētājā.

LED indikators	Uzlādes statuss
Mirgo 1. LED indikators	0–25%
Deg 1. LED indikators, mirgo 2. LED indikators	20–50%
Deg 1. un 2. LED indikatori, mirgo 3. LED indikators	50–75%
Deg 1., 2. un 3. LED indikatori, mirgo 4. LED indikators	75–100%
Deg 1., 2., 3. un 4. LED indikators	Pilnībā uzlādēts

Izstrādājuma iedarbināšana

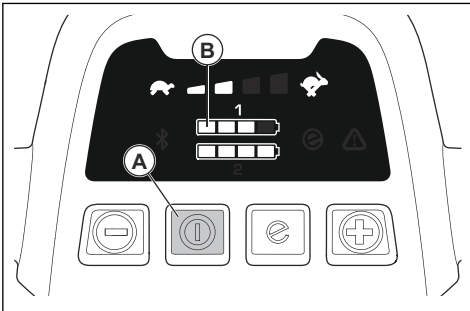
1. Atveriet akumulatora vāciņu.
2. Ievietojiet uzlādētu akumulatoru vienā no akumulatoru turētājiem. Lai nodrošinātu ilgāku darbību, ievietojiet otru uzlādētu akumulatoru otrajā akumulatora turētājā.

3. Pagrieziet drošības atslēgu pozīcijā "1".

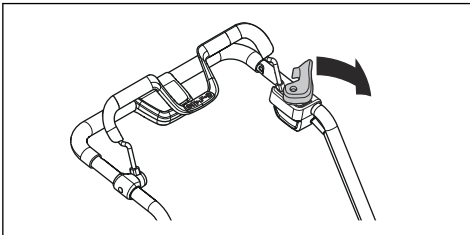


4. Stāviet aiz izstrādājuma.

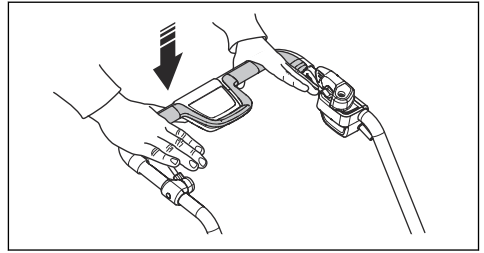
5. Vadības pulstī nospiediet ieslēgšanas/izslēgšanas pogu (A). Izgaismojais displejs. Akumulatora indikators (B) rāda 2 akumulatoru uzlādes līmeni. Blakus akumulatora indikatoram tiek rādīts tā akumulatora numurs, kas darbojas. Modeļiem LC 347iV, LC 347iVX, LC 353iV, LC 353iVX displejā tiek rādīts arī iestatītais ātrums.



6. Atbrīvojiet iedarbināšanas ierobežotāju.

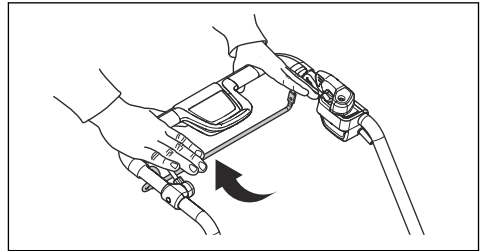


7. Pabīdiet bremžu rokturi stūres virzienā.

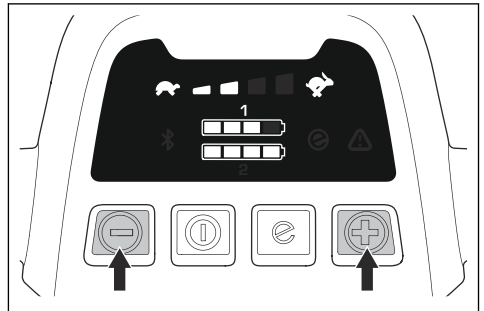


Piedziņas izmantošana riteņiem LC 347iV, LC 347iVX, LC 353iV, LC 353iVX

- Velciet piedziņas rokturi stūres virzienā, lai iedarbinātu piedziņu.



- Lai iestatītu piedziņas ātrumu 4 soļos, vadības pulstī nospiediet + un -.



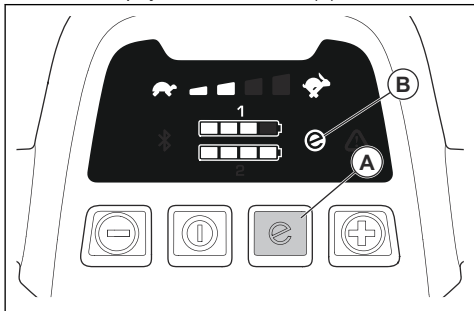
- Atļaidiet piedziņas rokturi, lai atvienotu piedziņu, piemēram, ja ejat tuvu šķērslim.

Funkcijas izmantošana

Izstrādājumam ir akumulatora enerģijas taupīšanas funkcija (), kas nodrošina ilgāku akumulatora darbības laiku.

1. Lai sāktu lietot funkciju, nospiediet pogu (A). Displejā iedegas simbols (B).

- Lai pārtraukt izmantot funkciju, nospiediet pogu vēlreiz. Displejā izdzīst simbols (B).



Funkcija tiek apturēta automātiski, ja virsmas apstākļu dēļ ir nepieciešama lielāka jauda. Funkcijas lietošana tiek sākta automātiski vēlreiz, kad virsmas apstākļi to pieļauj.

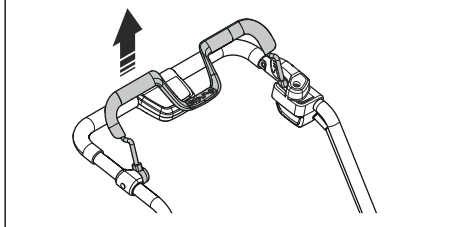
Lielas slodzes funkcija

Ja ar produktu tiek griezta gara vai mitra zāle, dzinējs automātiski palielina apgriezumu skaitu. Kad liela jauda nav nepieciešama, dzinējs pāriet atpakaļ standarta režīmā.

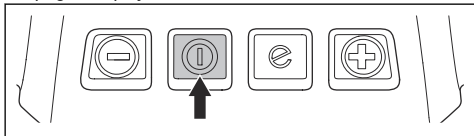
Izstrādājuma apturēšana

Produkts automātiski apstājas, ja to neizmantojat 10 minūtes. Vienmēr pagrieziet drošības atslēgu pozīcijā 0, pirms novēršat skatienu no produkta.

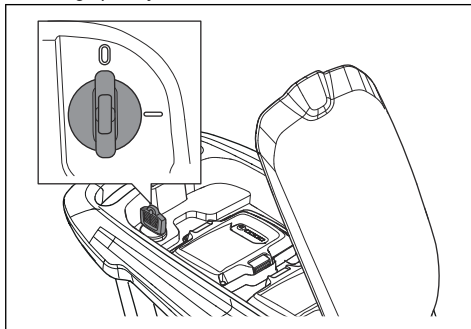
- Atlaidiet dzinēja bremžu rokturi, lai apturētu dzinēju.



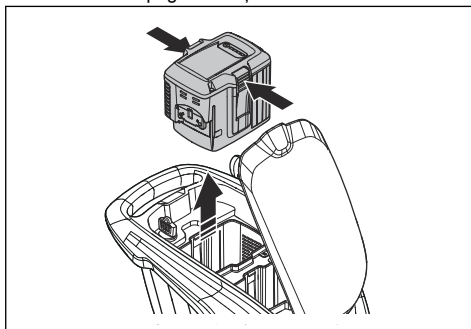
- Vadības pulītī nospiediet ieslēgšanas/izslēgšanas pogu. Displejā izdzīst visi LED indikatori un simboli.



- Atveriet akumulatora pārsegu un pagrieziet drošības atslēgu pozīcijā "0".



- Lai izņemtu akumulatoru, nospiediet abas atbrīvošanas pogas un izņemiet akumulatoru.



- Ja akumulators ir vājš, nomainiet to. Papildinformāciju skatiet sadaļā *Akumulatora uzlāde lpp. 402.*

Labā rezultāta panākšana

- Vienmēr lietojiet tikai asus asmeņus. Lietojot trulu asmeni, pļaušanas rezultāts ir nevienmērīgs, un noplautā zāles virsma kļūst dzeltena. Ass asmens arī patērē mazāk enerģijas nekā truls asmens.
- Nepļaujiet vairāk par 1/3 no zāles garuma. Vispirms pļaujiet ar lielu pļaušanas augstuma iestatījumu. Pārbaudiet rezultātu un nolaidiet pļaušanas augstumu līdz pieņemamam līmenim. Ja zāle ir ļoti gara, pļaujiet lēni un, ja nepieciešams, dariet to divreiz.
- Katru reizi pļaujiet dažādos virzienus, lai zālienā neatstātu svītras.

Zāles griešana bez pievienota zāles savācēja vai mulčēšanas aizbāžņa

- Paceliet aizmugurējo pārsegu un noņemiet zāles savācēju.
- Ja ir pievienots mulčēšanas aizbāznis un mulčēšanas asmens, noņemiet tos.
- Pirms produkta lietošanas aizveriet aizmugurējo vāku.

Kad lietojat produktu, nogrieztā zāles tiek izvadīta zem
aizmugurējā pārsega.

Apkope

Ievads



BRĪDINĀJUMS: Pirms veicat apkopi, izlasiet nodaļu par drošību un pārliecinieties, vai izprotat to.

Lai veiktu visus izstrādājuma apkopes un remonta darbus, ir nepieciešama īpaša apmācība. Mēs garantējam profesionāla remonta un apkopes pieejamību. Ja jūsu izplatītājs nav servisa pārstāvis,

vērsieties pie viņa, lai iegūtu informāciju par tuvāko servisa pārstāvi.

Apkopes grafiks

Apkopes intervāli tiek aprēķināti atbilstoši izstrādājuma ikdienas lietošanai. Intervāli mainās, ja izstrādājumu neizmanto ikdienā.

Apkopei, kas atzīmēta ar zīmi *, skatiet instrukcijas sadaļā *Norādījumi par drošu darbu lpp. 394.*

	Katrā lietošanas reizē	Reizi mēnesī	Katru sezonu
Vispārējās pārbaudes veikšana	X		
Noīriet izstrādājumu	X		
Pārbaudiet iedarbināšanas ierobežotāju*	X		
Pārliecinieties, vai produkta drošības ierīces nav defektīvas*	X		
Pārbaudiet griešanas aprīkojumu	X		
Pārbaudiet griešanas pārsegu*	X		
Pārbaudiet dzinēja bremžu rokturi*	X		
Pārliecinieties, vai ieslēgšanas/izslēgšanas poga darbojas pareizi un nav defektīva	X		
Pārbaudiet, vai akumulators nav bojāts	X		
Pārbaudiet akumulatora uzlādi	X		
Pārliecinieties, vai akumulatora atbrīvošanas pogas darbojas pareizi un vai produkta akumulators tiek nofiksēts vietā.	X		
Pārbaudiet, vai nav akumulatora bojājumu un pārliecinieties, vai tas darbojas pareizi.		X	
Pārbaudiet savienojumus starp akumulatoru un produktu. Pārbaudiet arī savienojumu starp akumulatoru un akumulatora lādētāju.			X

Vispārējās pārbaudes veikšana

- Pārliecinieties, vai uzgriežņi un skrūves uz izstrādājuma ir cieši pievilkti.
- Pārliecinieties, vai produkta kabeli nav novietoti tā, ka tie var tikt bojāti.

Produkta tīrīšana

- Plastmasas daļas noīriet ar tīru un sausu drāniņu.
- Produkta tīrīšanai neizmantojiet ūdeni. Ūdens var iekļūt akumulatorā vai dzinējā un rādīt īssavienojumu vai produkta bojājumus.

- Produktu nedrīkst skalot ar augstspiediena ūdens strūklu.
- Nekādā gadījumā neļiejiet ūdeni tieši uz dzinēja.
- Izmantojiet suku, lai notīrītu lapas, zāli un netīrumus.

Akumulatora un akumulatora lādētāja tīrīšana



IEVĒROJIET: Neīriet akumulatoru un tā lādētāju ar ūdeni.

- Pirms ievietojat akumulatoru lādētājā, pārliedzinieties, vai akumulators un akumulatora lādētājs ir tīri un sausi.
- Notīriet akumulatora spailes ar saspiestu gaisu vai izmantojiet mīkstu un sausu drānu.
- Notīriet akumulatora un lādētāja virsmas ar mīkstu un sausu drānu.

Griešanas aprīkojuma pārbaudīšana



BRĪDINĀJUMS: Lai nepieļautu nejašu iedarbināšanu, pagrieziet drošības atslēgu pozīcijā "0", izņemiet akumulatoru un nogaidiet vismaz 5 sekundes.



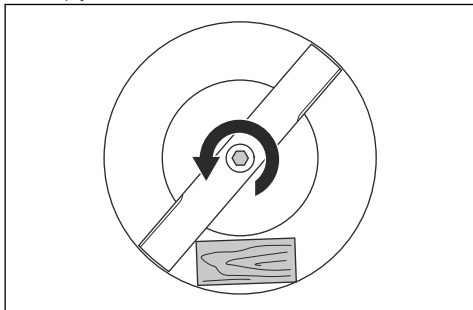
BRĪDINĀJUMS: Veicot griešanas aprīkojuma apkopi, velciet aizsargcimdus. Asmens ir ļoti ass, un ar to var viegli sagriezties.

1. Pārbaudiet, vai griešanas aprīkojums nav bojāts vai ierīkais. Vienmēr nomainiet bojātu griešanas ierīci.
2. Apskatiet asmeni, lai redzētu, vai tas nav bojāts vai truls.

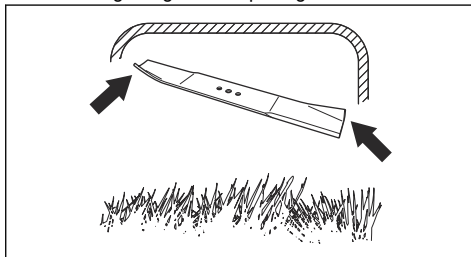
Piezīme: Vajadzības gadījumā pēc asmens uzasināšanas to balansējiet. Ļaujiet servisa centram asināt, nomainīt un balansēt asmeni. Ja saskaraties ar šķērsli, kas liek izstrādājumam apstāties, nomainiet bojāto asmeni. Lai apkopes centra pārstāvis novērtē, vai asmens ir jāuzasina, vai arī tas ir jānomaina.

Asmens noņemšana un nomaīņa

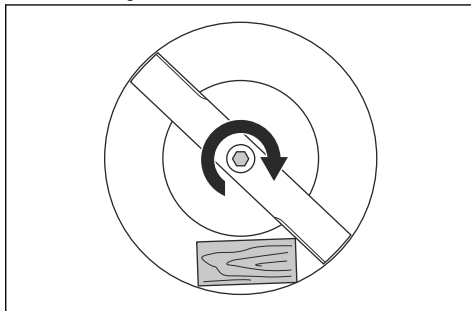
1. Bloķējiet asmeni ar koka klucīti.



2. Izņemiet asmens skrūvi.
3. Noņemiet asmeni.
4. Pārbaudiet asmens atbalstu un asmens skrūvi, lai redzētu, vai nav bojājumu.
5. Pārbaudiet dzinēja vārpstu, lai pārliedzinātos, vai tā nav saliekta.
6. Kad piestiprināt jauno asmeni, vērsiet asmens saliekto galus griešanas pārsega virzienā.



7. Pārliedzinieties, vai asmens ir salāgots ar dzinēja vārpstas centru.
8. Bloķējiet asmeni ar koka klucīti. Piestipriniet atsperepaplāksni un piegrieziet skrūvi un paplāksni ar 23–28 Nm griezes momentu.



9. Ar roku pagrieziet asmeni un pārbaudiet, vai tas griežas brīvi.



BRĪDINĀJUMS: Velciet biezus cimdus. Asmens ir ļoti ass, un ar to var viegli sagriezties.

10. Iedarbiniet izstrādājumu, lai pārbaudītu asmeni. Ja asmens nav pareizi piestiprināts, izstrādājums vibrē vai plaušanas rezultāts nav apmierinošs.

Problēmu novēršana

Akumulators

LED indikators uz akumulatora	Iespējamās kļūmes	Iespējamā procedūra
Zaļais LED indikators mirgo	Akumulatora spriegums ir zems	Uzlādējiet akumulatoru. Skatiet šeit: <i>Akumulatora uzlāde lpp. 402.</i>

LED indikators uz akumulatora	Iespējamās kļūmes	Iespējamā procedūra
Mirgo kļūdu LED indikators	Akumulators ir vājš	Uzlādējiet akumulatoru. Skatiet šeit: <i>Akumulators lpp. 406.</i>
	Temperatūra darba vidē ir pārāk augsta vai pārāk zema	Akumulatoru drīkst temperatūrā no -10 °C līdz 40 °C.
	Pārspriegums	Pārbaudiet, vai tīkla spriegums ir tāds pats, kā norādīts uz produkta tehnisko datu plāksnītes. Izņemiet akumulatoru no lādētāja. Pagaidiet 5 sekundes un pēc tam mēģiniet akumulatoru uzlādēt. Ja problēma joprojām pastāv, sazinieties ar pilnvarotu apkopes pārstāvi.
Deg kļūdu LED indikators	Pārāk liela elementu atšķirība (1 V)	Sazinieties ar pilnvarotu apkopes pārstāvi.

Akumulatora lādētājs

LED indikators uz akumulatora lādētāja	Iespējamās kļūmes	Iespējamā procedūra
Mirgo kļūdu LED indikators	Temperatūra darba vidē ir pārāk augsta vai pārāk zema	Akumulatora lādētāju lietojiet temperatūrā no 5 °C līdz 40 °C.
Deg kļūdu LED indikators		Sazinieties ar pilnvarotu apkopes pārstāvi

Vadības panelis

Tastatūra	Kļūdas kods (mirgošanas reižu skaits)	Iespējamās kļūmes	Iespējamā rīcība
Mirgo kļūdu LED indikators	3	Dzinējs ir pārslogots	Palieliniet griešanas augstumu. Skatiet šeit: <i>Pļaušanas augstuma regulēšana lpp. 401.</i>
	5	Dzinēja apgriezīgu skaits pārāk nokrītas, un dzinējs apstājas	
	10	Dzinēja vadības bloks ir pārāk karsts	Apstādiniet dzinēju un uzgaidiet, līdz tas kļūs vēss
	2	Asmens ir bloķēts	Lai nepieļautu nejašu iedarbināšanu, pagrieziet drošības atslēgu pozīcijā "0", izņemiet akumulatoru un nogaidiet vismaz 5 sekundes. Pārlicinieties, vai asmens brīvi griežas. Ja problēma joprojām pastāv, sazinieties ar pilnvarotu apkopes pārstāvi
	9	Akumulatora kļūda vai netiek saņemts signāls no akumulatora	Ievietojiet akumulatoru produktā pareizi un pārbaudiet akumulatora savienotājau. Ja mirgo kļūdu LED indikators uz akumulatora. Skatiet šeit: <i>Akumulators lpp. 401.</i>

Tastatūra	Kļūdas kods (mirgošanas reižu skaits)	Iespējamās kļūmes	Iespējamā rīcība
Produkts apstājas	8	Akumulators ir vājš	Uzlādējiet akumulatoru. Skatiet šeit: <i>Akumulatora uzlāde lpp. 402.</i>
	0	Akumulatora savienotāja kļūda	Pārbaudiet akumulatora savienotāju
Citas kļūdas	Ja rodas citas kļūdas, pagrieziet drošības atslēgu pozīcijā 0, izņemiet akumulatoru un sazinieties ar apstiprinātu apkopes pārstāvi.		

Pārvadāšana, glabāšana un utilizēšana

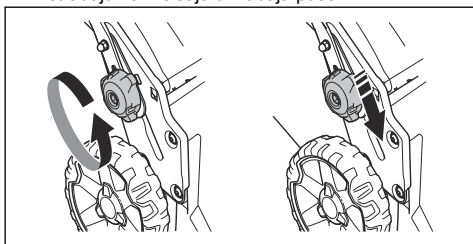
Ievads



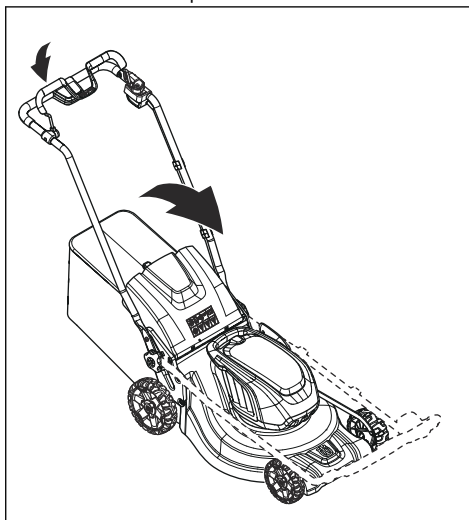
BRĪDINĀJUMS: Lai nepieļautu nejašu iedarbināšanu transportēšanas laikā, pagrieziet drošības atslēgu pozīcijā "0", izņemiet akumulatoru un nogaidiet vismaz 5 sekundes.

Lai novietotu produktu transportēšanas pozīcijā

1. Atlaidiet apakšējos fiksatorus.
2. Pārvietojiet fiksatorus uz rievu apakšējo malu izstrādājuma kreisajā un labajā pusē.



3. Nolokiet rokturi uz priekšu.



4. Noņemiet zāles savācēju.

Transportēšana

- Uz iekļautajiem litiņa jonu akumulatoriem attiecas likumu prasības par bīstamajām precēm.
- Komerciālai transportēšanai ir jāievēro īpašās prasības uz iepakojuma un uzlīmēm.
- Noteikti ievērojiet noteikumus, kas attiecas uz bīstamiem materiāliem, kad produktu sagatavojat transportēšanai. Spēkā var būt vietēji noteikumi.
- Transportēšanas laikā izņemiet akumulatoru.
- Uzlieciet lenti uz akumulatora savienotājiem un pārliecinieties, vai akumulators transportēšanas laikā nevar kustēties.
- Transportēšanas laikā nostipriniet produktu.

Glabāšana

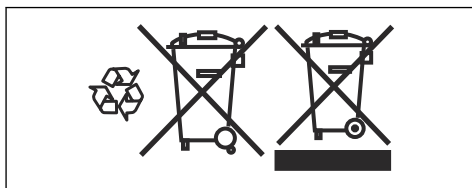
- Glabāšanas laikā izņemiet akumulatoru.
- Lai novērstu nelaiemes gadījumus, produkta glabāšanas laikā akumulatoram ir jābūt atvienotam no produkta.
- Turiet akumulatora lādētāju slēgtā un sausā vietā.
- Turiet akumulatoru un akumulatora lādētāju sausā vietā, kur nav mitruma vai sala ietekmes.
- Uzglabāšanas laikā atvienojiet akumulatoru no akumulatora lādētāja.
- Neglabājiet akumulatoru vietās, kur var rasties statiskā elektrība. Neglabājiet akumulatoru metāla kārbā.
- Akumulatoru glabājiet vietā, kur temperatūra ir no 5 °C līdz 25 °C un uz to neiedarbojas tieši saules stari.
- Akumulatora lādētāju glabājiet vietā, kur temperatūra ir no 5 °C līdz 45 °C un uz to neiedarbojas tieši saules stari.
- Akumulatora uzlādes līmenim pirms ilgstošas glabāšanas jābūt 30–50%.
- Glabājiet produktu, akumulatoru un akumulatora lādētāju slēgtā vietā, kas nav pieejama bērniem un nesankcionētiem personām.

- Nofīriet produktu un veiciet pilnu apkopi, pirms novietojat produktu ilgstošai glabāšanai.

Atbrīvošanās no produkta

Simboli uz produkta vai tā iepakojuma norāda, ka no šī produkta nedrīkst atbrīvoties kā no sadzīves atkritumiem. Tas ir jānodod atbilstošā elektrisko un elektronisko ierīču pārstrādes uzņēmumā.

Nodrošinot, ka šis izstrādājums tiek pareizi pārstrādāts, varat palīdzēt novērst iespējamo negatīvo ietekmi uz vidi un cilvēkiem. Pretējā gadījumā tiek veikta nepareiza šī izstrādājuma utilizācija. Lai uzzinātu vairāk par šī izstrādājuma pārstrādi, sazinieties ar vietējo pašvaldību, atkritumu pārstrādes uzņēmumu vai veikalu, kurā iegādājāties šo izstrādājumu.



Tehniskie dati

Tehniskie dati

	LC 247IX/LC 247I	LC 347IVX/LC 347IV	LC 353IVX/LC 353IV
Pļaušanas motors			
Motora tips	BLDC (bezvadu) 36 V	BLDC (bezvadu) 36 V	BLDC (bezvadu) 36 V
Motora ātrums — SavE, apgr./min	2600	2600	2600
Motora ātrums — nominālais, apgr./min	3000	3000	3000
Motora ātrums — liela slodze, apgr./min	3500	3500	3500
Motora jauda — maks., kW	0,96	0,96	1,05
Motora jauda — nominālā, kW	0,75	0,75	0,9
Piedziņas motors			
Motora jauda — nominālā, kW	NAV PĪEEJAMS	0,25	0,25
Kustības ātrums, km/h	NAV PĪEEJAMS	3,0–4,5	3,0–4,5
Ātruma regulēšanas līmeņi	NAV PĪEEJAMS	4	4
Svars			
Svars bez akumulatora, kg	24	26	28
Akumulators			
Akumulatora tips	Husqvarna akumulatoru sērija	Husqvarna akumulatoru sērija	Husqvarna akumulatoru sērija

	LC 247iX/LC 247i	LC 347iVX/LC 347iV	LC 353iVX/LC 353iV
Akumulatora darbības laiks			
Akumulatora darbības laiks, minimālais (brīvgaita), ar aktivizētu funkciju SavE un vienu Husqvarna 5,2 Ah akumulatoru (Bli200).	43	43	32
Akumulatora darbības laiks, minimālais (brīvgaita) ar aktivizētu standarta režīmu, ar vienu Husqvarna 5,2 Ah akumulatoru (Bli200).	30	30	20
Trokšņa emisija ⁴⁶			
Skaņas jaudas līmenis, izmērītais dB(A)	94	94	97
Skaņas jaudas līmenis, garantētais L _{WA} dB(A)	95	95	98
Skaņas līmeņi ⁴⁷			
Skaņas spiediena līmenis pie operatora auss, dB(A)	82	82	86
Vibrācijas līmeņi ⁴⁸			
Rokturis, m/s ²	0.42	0,42	2,64
Griešanas ierīce			
Griešanas augstums, mm	20-75 mm	20-75 mm	20-75 mm
Pļaušanas platums, cm	47	47	53
Asmeņu standarts	Vākšana, 5905934-10	Vākšana, 5905934-10	Vākšana, 5940757-10
Asmeņu piederums	Mulch 5907010-10	Mulch 5907010-10	Mulch 5950072-10
Zāles savācēja tilpums, litri	55	55	60

Bluetooth® radio frekvenču dati	LC 247iX	LC 347iVX	LC 353iVX
Frekvenču josta, GHz	2,4–2,4835	2,4-2,4835	2,4–2,4835
Izejas jauda, maks., dBm	4	4	4

Apstiprinātie akumulatori	Tips	Akumulatora ietilpība, Ah	Spriegums, V	Svars, mārciņas/kg
BLi20	Litija jonu	4,0	36	2,6/1,2
BLi30	Litija jonu	7,7	36	4.2/1.9

⁴⁶ Atbilstoši EK direktīvai 2000/14/EK trokšņa emisija apkārtne ir mērīta kā trokšņa jauda (L_{WA}).

⁴⁷ Sniegtajos datos par skaņas spiediena līmeni tipiskā statistiskā izkliede ir 1,2 dB(A) (standartnovirze).

⁴⁸ Sniegtajos datos par vibrācijas līmeni tipiskā statistiskā izkliede ir 0,2 m/s² (standarta novirze). Vibrācijas standarts EN 60335-2-77:2017 nodaļa 20.105

Apstiprinātie akumulatori	Tips	Akumulatora ietilpība, Ah	Spriegums, V	Svars, mārciņas/kg
BLi200	Litija jonu	5,2	36	2,8/1,3
BLi300	Litija jonu	9,4	36	4,1/1,9

Apstiprinātie lādētāji norādītajiem akumulatoriem, BLi	ļeejas spriegums, V	Frekvence, Hz	Jauda, W
QC80	100–240	50–60	80
QC80F	12	0	80
QC250	100–240	50–60	250
QC330	100–240	50–60	330
QC500	100–240	50–60	500

EK atbilstības deklarācija

EK atbilstības deklarācija

Husqvarna AB, SE-561 82 Huskvarna, Zviedrija, tālr. nr.: +46-36-146500, apliecina, ka **zāles pļāvējs Husqvarna LC 247I, LC 247IX, LC 347IV, LC 347IVX, LC 353iV, LC 353iVX**, kas ražots, sākot ar 2018. gadu, atbilst PADOMES DIREKTĪVAS prasībām:

- 2011. gada 8. jūnija direktīva **2011/65/ES** "par dažu bīstamu vielu izmantošanas ierobežošanu".
- 2006. gada 17. maijs, Direktīva **2006/42/EK**, "par mašīnu tehniku";
- 2000. gada 8. maija direktīva **2000/14/EK** "par trokšņa emisiju vidē".

Lai iegūtu informāciju par trokšņa emisijām, skatiet sadaļu *Tehniskie dati lpp. 409*.

Ir piemēroti šādi standarti:

EN/IEC 60335-1, EN/IEC 60335-2-77, EN/IEC 62233, EN 55014-1, EN ETSI 301 489-7 v1.3.1, EN 61000-6,

ETSI EN 61000-6-1, EN 300 328 BT low energy Tx/Rx, EN 50581

Ja nav norādīts citādi, ir spēkā iepriekš uzskaitīto standartu jaunākās publicētās versijas.

Pilnvarotā iestāde **0404, RISE SMP Svensk Maskinprovning AB, Box 7035, SE-750 07 Uppsala** ir veikusi atbilstības novērtējumu saskaņā ar Direktīvas 2000/14/EK VI pielikumu.

Huskvarna, 2020-04-22



Claes Losdal, nodaļas vadītājs/dārzkopības izstrādājumi (Pilnvarotais Husqvarna AB pārstāvis, kas atbild par tehnisko dokumentāciju)

Reģistrētās preču zīmes

Bluetooth® preču zīme un logotipi ir *Bluetooth SIG, inc.* reģistrētas preču zīmes, un Husqvarna tās izmanto atbilstoši licencei.

Inhoud

Inleiding.....	413	Probleemoplossing.....	433
Veiligheid.....	417	Vervoer, opslag en verwerking.....	434
Montage.....	425	Technische gegevens.....	435
Werking.....	426	EG verklaring van overeenstemming.....	438
Onderhoud.....	431	Geregistreerde handelsmerken.....	438

Inleiding

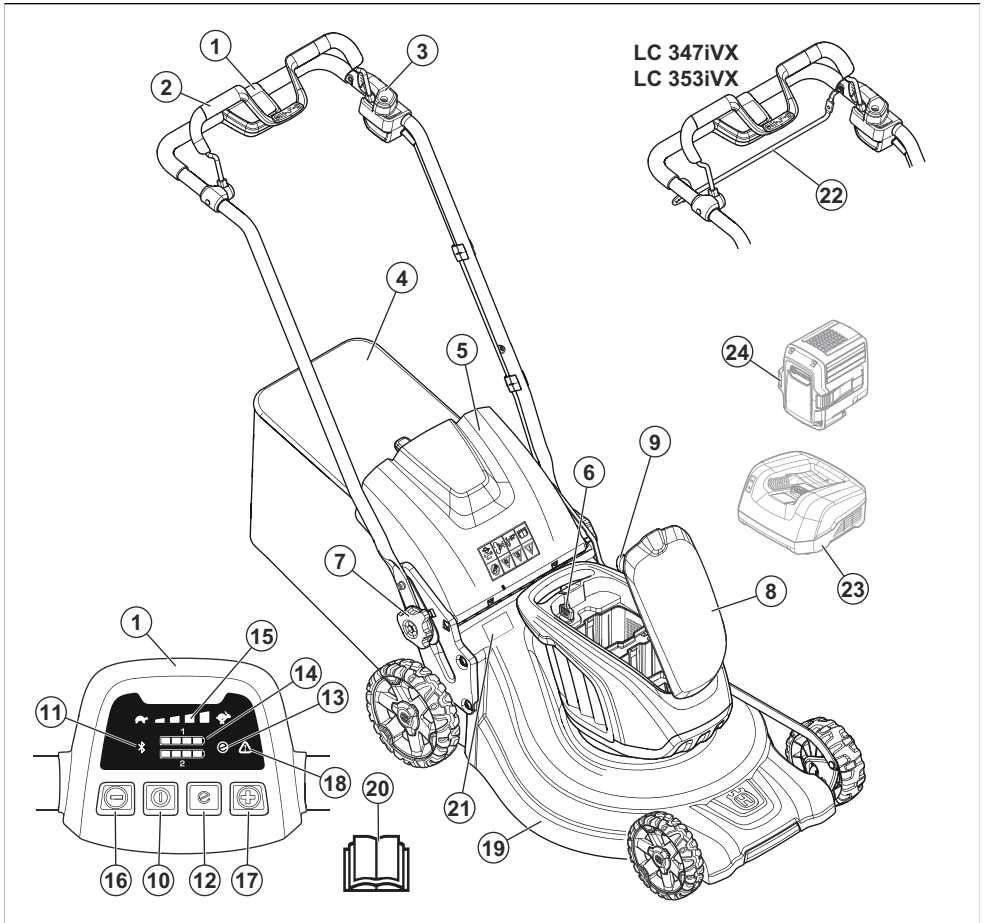
Productbeschrijving

Het product is een roterende duwmaaier. Het gras wordt verzameld in een grasopvangbak. Verwijder de grasopvangbak om het gras aan de achterkant af te voeren. Bevestig een mulchkit (accessoire) om het gras te snijden tot meststof.

Gebruik

Gebruik het product om gras te maaien. Gebruik het product niet voor andere taken.

Productoverzicht



- | | |
|---|---|
| 1. Bedieningspaneel | 15. Toerentalindicator (LC 347iV, LC 347iVX, LC 353iV, LC 353iVX) |
| 2. Remhendel van de motor | 16. Knop voor toerental verlagen (LC 347iV, LC 347iVX, LC 353iV, LC 353iVX) |
| 3. Startvergrendeling | 17. Knop voor toerental verhogen (LC 347iV, LC 347iVX, LC 353iV, LC 353iVX) |
| 4. Grasopvangbak | 18. Fout-led |
| 5. Achterklep | 19. Kap van maaidek |
| 6. Veiligheidsleutel | 20. Bedieningshandleiding |
| 7. Knop hendel | 21. Productplaatje |
| 8. Accudeksel | 22. Aandrijfhendel (LC 347iV, LC 347iVX, LC 353iV, LC 353iVX) |
| 9. Maaihoogteregeling | 23. Acculader (accessoire) |
| 10. AAN/UIT-knop | 24. Accu (accessoire) |
| 11. Indicator voor draadloze Bluetooth®-technologie | |
| 12. SavE-knop | |
| 13. SavE-indicator | |
| 14. Accu-indicator | |

Symbolen op het product



WAARSCHUWING!
Wees voorzichtig en gebruik het product op de juiste manier. Dit product kan ernstig of fataal letsel toebrengen aan de gebruiker of anderen.



Lees de bedieningshandleiding zorgvuldig door en zorg dat u de instructies hebt begrepen voordat u het product gebruikt.



Houd personen en dieren op veilige afstand van het werkgebied.



Kijk uit voor weggeslingerde en afgeteste voorwerpen.



Waarschuwing: Houd handen en voeten uit de buurt van het roterende mes.



Waarschuwing: Houd handen en voeten uit

de buurt van draaiende onderdelen.



Verwijder de veiligheidssleutel voordat u reparatie- of onderhoudswerkzaamheden gaat uitvoeren.



Stel het product niet bloot aan regen.



Het product of de verpakking ervan is geen huishoudelijk afval. Lever het in bij een recyclepunt voor elektrische en elektronische apparatuur.



Het product voldoet aan de geldende EG-richtlijnen.



Het product voldoet aan de geldende richtlijnen van de Euraziatische Douane-unie.



Het product voldoet aan de geldende UkrSEPRO-richtlijnen.



Het product voldoet aan de geldende RCM-richtlijnen. Alleen van toepassing op AU/NZ



Geluidsemisies naar de omgeving volgens de Europese richtlijn 2000/14/EG en de wetgeving van Nieuw-Zuid-Wales "Protection of the Environment Operations (Noise Control) Regulation 2017". De geluidsemisatiegegevens vindt u op het machinelabel en in het hoofdstuk Technische gegevens.



Snel



Scanbare code

Let op: Andere symbolen/stickers op het product hebben betrekking op certificeringseisen voor bepaalde markten.

Label op het product



Houd handen en voeten uit de buurt van roterende messen.

Productaansprakelijkheid

Zoals uiteengezet in de wet voor productaansprakelijkheid zijn wij niet aansprakelijk voor schade die door ons product wordt veroorzaakt, indien:

- het product niet goed is gerepareerd.
- het product is gerepareerd met onderdelen die niet van de fabrikant afkomstig zijn, of onderdelen die niet zijn goedgekeurd door de fabrikant.
- het product een accessoire bevat dat niet afkomstig is van de fabrikant of niet is goedgekeurd door de fabrikant.
- het product niet is gerepareerd door een erkend servicepunt of door een erkende autoriteit.

IPX1 Het product is druppeldicht.

Startprocedure: druk op de AAN/UIT-knop, maak de startvergrendeling los, druk de remhendel van de motor omhoog.



Laat de remhendel van de motor los om te stoppen.



Langzaam

Veiligheidsdefinities

Waarschuwingen, voorzorgsmaatregelen en opmerkingen worden gebruikt om te wijzen op belangrijke delen van de handleiding.



WAARSCHUWING:

Wordt gebruikt om te wijzen op de kans op ernstig of fataal letsel voor de gebruiker of omstanders wanneer de instructies in de handleiding niet worden gevolgd.



OPGELET: Wordt gebruikt indien er een risico bestaat op schade aan het product en andere eigendommen of aan de omgeving wanneer de instructies in de handleiding niet worden gevolgd.

Let op: Geven verdere informatie die nodig is in een bepaalde situatie.

Algemene veiligheidsinstructies



WAARSCHUWING: Lees de volgende waarschuwingen voordat u het product gaat gebruiken.

- Dit product is gevaarlijk als het verkeerd wordt gebruikt, of als u niet voorzichtig bent. Letsel of overlijden kunnen het gevolg zijn als u de veiligheidsvoorschriften negeert.
- Dit product produceert tijdens bedrijf een elektromagnetisch veld. Dit veld kan onder bepaalde omstandigheden de werking van actieve of passieve medische implantaten verstoren. Om het risico op ernstig of dodelijk letsel te beperken, raden we personen met een medisch implantaat aan om contact op te nemen met hun arts en de fabrikant van het medische implantaat alvorens dit product te gaan gebruiken.
- Wees altijd voorzichtig en gebruik uw gezond verstand. Als u niet zeker weet hoe u het product moet bedienen in een

bepaalde situatie, stop dan en informeer bij uw Husqvarna dealer voordat u verdergaat.

- Denk erom dat de bediener of gebruiker verantwoordelijk is voor ongelukken of beschadigingen aan eigendommen.
- Houd het product schoon. Zorg ervoor dat u de aanduidingen en stickers duidelijk kunt lezen.
- Laat kinderen of mensen die niet bekend zijn met deze gebruiksaanwijzing het apparaat niet gebruiken. Er kunnen plaatselijke regels zijn met betrekking tot de minimumleeftijd voor het bedienen van dit apparaat
- Houd personen met een lichamelijke of geestelijke beperking die het product gebruiken, altijd in de gaten. Er moet te allen tijde een verantwoordelijke volwassene aanwezig zijn.
- Gebruik het product nooit als u moe of ziek bent, of onder invloed van alcohol, drugs of medicijnen verkeert. Dit heeft een negatief effect op uw visie, alertheid, coördinatie en oordeel.
- Gebruik het product niet als het defect is.

- Wijzig dit product niet of gebruik het niet als het door anderen kan zijn gewijzigd.

Veiligheid van het werkgebied



WAARSCHUWING: Lees de volgende waarschuwingen voordat u het product gaat gebruiken.

- Verwijder objecten zoals takken, twijgen en stenen uit het werkgebied voordat u het product gaat gebruiken.
- Objecten die tegen de snijuitrusting aankomen, kunnen worden uitgeworpen en schade veroorzaken aan personen en objecten. Houd omstanders en dieren op veilige afstand van het product.
- Gebruik het product nooit in slechte weersomstandigheden zoals mist, regen, sterke wind, hevige kou of als er gevaar is voor blikseminslag. Het gebruik van dit product bij slecht weer of op vochtige of natte plaatsen is vermoeiend. Slecht weer kan leiden tot gevaarlijke situaties zoals gladde ondergronden.
- Kijk uit voor personen, objecten en situaties die een

veilig gebruik van het product kunnen verhinderen.

- Kijk uit voor obstakels zoals wortels, stenen, takjes, kuilen en greppels. Obstakels kunnen moeilijk te zien zijn door hoog gras.
- Gras maaien op hellingen kan gevaarlijk zijn. Maai niet op overmatig steile hellingen. Gebruik het product niet op een helling van meer dan 15°
- Ga uiterst behoedzaam te werk wanneer u van richting verandert op hellingen. Gebruik het product dwars over het oppervlak van hellingen. Ga niet van boven naar beneden.
- Wees voorzichtig wanneer u in de buurt komt van onoverzichtelijke bochten en voorwerpen die uw zicht kunnen belemmeren.

Werkveiligheid



WAARSCHUWING: Lees de volgende waarschuwingen voordat u het product gaat gebruiken.

- Gebruik dit product alleen om gazons te maaien. Het is niet toegestaan om het product

voor andere doeleinden te gebruiken.

- Maak altijd gebruik van persoonlijke beschermingsmiddelen. Zie *Persoonlijke beschermingsuitrusting op pagina 420*.
- Zorg ervoor dat u weet hoe u de motor in een noodsituatie snel kunt stoppen.
- Gebruik het product niet in regen of natte omstandigheden. Het risico van een elektrische schok neemt toe als water het product binnendringt.
- Gebruik dit product alleen als het mes en alle afdekkingen correct zijn bevestigd. Een verkeerd bevestigd mes kan losraken en letsel veroorzaken.
- Zorg ervoor dat het mes geen voorwerpen raakt zoals stenen en wortels. Hierdoor kan het mes beschadigd raken en de motoras verbuigen. Een gebogen as veroorzaakt zware trillingen en een zeer groot risico dat het mes losraakt.
- Stop het product onmiddellijk als het mes een voorwerp wordt geraakt of als zich trillingen voordoen. Stop de motor, zet de veiligheidssleutel

- in de stand "0" en verwijder de accu. Controleer het product op schade. Repareer schade of laat een erkende servicewerkplaats de reparatie uitvoeren.
- Bevestig de motorremhendel nooit permanent aan de handgreep wanneer de motor wordt gestart.
 - Plaats het product op een stabiele, vlakke ondergrond en start het. Zorg ervoor dat het mes niet in aanraking komt met de grond of andere voorwerpen.
 - Blijf altijd achter het product wanneer u het gebruikt.
 - Zorg dat alle wielen op de grond blijven en houd 2 handen op de handgreep tijdens de bediening van het product. Houd uw handen en voeten uit de buurt van de roterende messen.
 - Kantel het product niet terwijl de motor draait.
 - Wees voorzichtig wanneer u het product naar achteren trekt.
 - Til het product nooit op terwijl de motor draait. Als u het product moet optillen, zet dan eerst de motor uit, zet de veiligheidssleutel op 0 en verwijder de accu.
- Loop niet achteruit wanneer u het product bedient.
 - Stop de motor als u in gebieden zonder gras komt, bijvoorbeeld op paden van grind, stenen en asfalt.
 - Loop niet hard met het product wanneer de motor is ingeschakeld. Loop altijd rustig wanneer u het product bedient.
 - Zet de motor uit voordat u de maaihoogte wijzigt. Voer nooit afstellingen uit terwijl de motor draait.
 - Houd altijd toezicht op het product wanneer de motor draait. Schakel de motor uit en zorg ervoor dat de snijuitrusting niet draait.

Veiligheidsinstructies voor bediening

Persoonlijke beschermingsuitrusting



WAARSCHUWING: Lees de volgende waarschuwingen voordat u het product gaat gebruiken.

- Persoonlijke beschermingsuitrusting kunnen niet alle risico's uitsluiten maar kunnen de ernst van eventueel letsel helpen beperken. Vraag uw

dealer u te helpen bij het kiezen van de juiste beschermingsmiddelen.

- Gebruik zware antisliplaarzen of -schoenen. Draag geen open schoenen en loop niet op blote voeten.
- Draag een lange broek van stevige stof.
- Draag zo nodig beschermende handschoenen, bijvoorbeeld bij het monteren, inspecteren of reinigen van de snijuitrusting.

Veiligheidsvoorzieningen op het product



WAARSCHUWING: Lees de volgende waarschuwingen voordat u het product gaat gebruiken.

- Gebruik het product nooit wanneer de veiligheidsvoorzieningen defect zijn.
- Controleer de veiligheidsvoorzieningen regelmatig op een juiste werking. Als de veiligheidsvoorzieningen defect zijn, neem dan contact op met uw Husqvarna servicewerkplaats.

De kap van het maaidek controleren

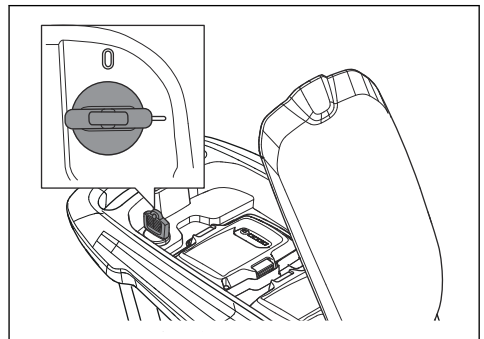
De kap van het maaidek vermindert trillingen in het product en vermindert het risico op letsel door het mes.

- Controleer de kap van het maaidek om te zien of er geen schade is, zoals barsten.

Veiligheidsleutel

De veiligheidsleutel bevindt zich onder het accudeksel. De veiligheidsleutel zorgt voor verbinding met de accu die de motor van voeding voorziet.

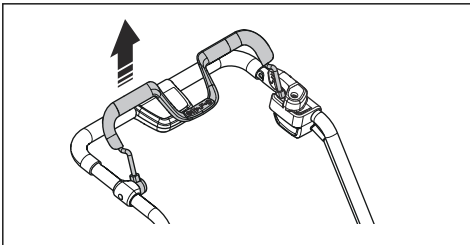
- Start de motor en schakel die weer uit bij wijze van controle van de veiligheidsleutel.
- Als de veiligheidsleutel naar behoren werkt, kan de motor alleen worden gestart wanneer de veiligheidsleutel in stand 1 staat.



Remhendel van de motor

De remhendel van de motor stopt de motor. Als de remhendel van de motor wordt losgelaten, stopt de motor.

Voor een inspectie van de motorrem start u de motor en laat u de motorremhendel los. Als de motor niet binnen 3 seconden stopt, laat de motorrem dan afstellen door een erkende Husqvarna servicewerkplaats.

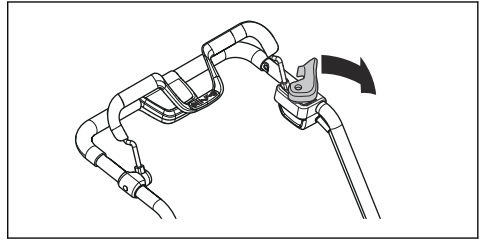


Startvergrendeling onderzoeken

Controleer de startvergrendeling om er zeker van te zijn dat deze de werking van de motor voorkomt.

1. Druk de hendel van de motorrem in de richting van de handgreep. De startvergrendeling stopt de beweging.

2. Duw de startvergrendeling naar buiten.



3. Laat de startvergrendeling los en controleer of deze teruggaat naar de oorspronkelijke stand.

Veiligheid bij accu's



WAARSCHUWING: Lees de volgende waarschuwingen voordat u het product gaat gebruiken.

- Gebruik uitsluitend oplaadbare batterijen van Husqvarna als voedingsbron voor gerelateerde producten van Husqvarna. Gebruik de accu niet als voedingsbron voor andere apparaten, om letsel te voorkomen.
- Gebruik geen niet-oplaadbare accu's.
- Risico van elektrische schok. Breng de accuklemmen niet in contact met sleutels, munten, schroeven of ander metaal. Dit

kan een kortsluiting van de accu veroorzaken.

- Plaats geen voorwerpen in de luchtspleten van de accu.
- Bescherm de accu tegen direct zonlicht, warmte of open vuur. De accu kan exploderen en brandwonden en/of chemische brandwonden veroorzaken.
- Bescherm de accu tegen regen en vocht.
- Houd de accu uit de buurt van magnetrons en hoge druk.
- Probeer de accu niet te demonteren of te slopen.
- Als er een accu lekt, zorg er dan voor dat de vloeistof niet in aanraking komt met uw huid of ogen. Als u in aanraking bent gekomen met de vloeistof, reinig het oppervlak dan met een ruime hoeveelheid water en raadpleeg een arts.
- Gebruik de accu bij temperaturen tussen -10 °C en 40 °C.
- Reinig de accu of acculader nooit met water. Zie *Accu en acculader reinigen op pagina 432*.
- Gebruik geen defecte of beschadigde accu.
- Sla accu's op uit de buurt van metalen voorwerpen,

bijvoorbeeld spijkers, munten en sieraden.

Veiligheidsvoorschriften voor acculader



WAARSCHUWING: Lees de volgende waarschuwingen voordat u het product gaat gebruiken.

- Gebruik de QC-acculaders uitsluitend om vervangende accu's van Husqvarna op te laden.
- Gevaar voor elektrische schokken en kortsluiting. Plaats geen voorwerpen in de luchtspleten van de oplader. Probeer de acculader niet te demonteren. Verbind de laadcontacten niet met metalen objecten. Gebruik een goedgekeurde wandcontactdoos.
- Dit product produceert tijdens bedrijf een elektromagnetisch veld. Dit veld kan onder bepaalde omstandigheden de werking van actieve of passieve medische implantaten verstoren. Om het risico op ernstig of fataal letsel te beperken, raden we personen met een medisch implantaat aan om contact op

te nemen met hun arts en de fabrikant van het medische implantaat voordat ze dit product gaan bedienen.

- Controleer regelmatig of de voedingskabel van de acculader niet beschadigd of gescheurd is.
- Til de acculader niet op aan de voedingskabel. Trek aan de stekker om de acculader uit de wandcontactdoos te halen. Trek niet aan de voedingskabel.
- Houd de voedingskabel en de verlengsnoeren uit de buurt van water, olie en scherpe randen. Let op dat de kabel niet bekneld raakt tussen deuren, hekken e.d. Anders kan de lader onder spanning komen te staan.
- Reinig de acculader nooit met water.
- De acculader kan worden gebruikt door kinderen vanaf 8 jaar en ouder en andere personen die ondanks hun fysieke, sensorische of geestelijke handicap of gebrek aan ervaring en kennis onder toezicht of instructie van een verantwoordelijke persoon in staat zijn veilig gebruik te maken van de acculader en op de hoogte zijn van alle

gevaren. Kinderen mogen niet spelen met de acculader. Kinderen mogen het apparaat niet zonder toezicht reinigen of onderhouden.

- Laad niet-oplaadbare accu's niet op in de acculader.
- Gebruik de acculader niet in de buurt van brandbare materialen of materialen die corrosie kunnen veroorzaken. Dek de acculader niet af. Haal de stekker van de acculader uit de wandcontactdoos bij rookontwikkeling of brand.
- Gebruik geen defecte of beschadigde acculader.
- De accu mag alleen binnenshuis worden opgeladen op een plek met voldoende ventilatie en zonder direct zonlicht. Laad de accu niet op in vochtige omstandigheden.

Veiligheidsinstructies voor onderhoud



WAARSCHUWING: Lees de volgende waarschuwingen voordat u het product gaat gebruiken.

- Om te voorkomen dat het product tijdens onderhoud per ongeluk wordt gestart, draait u

de veiligheidssleutel naar 0 en verwijdert u de accu. Wacht minstens 5 seconden voordat u begint met het onderhoud.

- Voer de onderhoudswerkzaamheden naar behoren uit om de levensduur van het product te verlengen en het risico op ongevallen te verlagen. Laat professionele reparaties uitvoeren door een erkende servicewerkplaats. Neem contact op met uw dichtstbijzijnde servicewerkplaats voor meer informatie.
- Voer alleen onderhoudswerkzaamheden uit zoals beschreven in deze bedieningshandleiding. Verdergaande werkzaamheden moeten door een erkende servicewerkplaats worden uitgevoerd.
- Draag handschoenen voor zwaar gebruik wanneer u de snijuitrusting hanteert. Het

mes is zeer scherp en kan gemakkelijk snijwonden veroorzaken.

- Houd de snijkanten scherp en schoon voor optimale prestaties en veiligheid.
- Laat het product regelmatig controleren door uw servicewerkplaats en laat noodzakelijke aanpassingen en reparaties uitvoeren.
- Vervang beschadigde, versleten of defecte onderdelen.
- Volg de instructies voor het vervangen van accessoires. Gebruik alleen accessoires van de fabrikant.
- Houd het product, de accu en de acculader, wanneer deze niet in gebruik zijn, apart in een droge, afgesloten locatie binnenshuis. Zorg dat kinderen en niet-geautoriseerde personen geen toegang hebben tot het product, de accu of de acculader.

Montage

Inleiding



WAARSCHUWING: Lees het hoofdstuk over veiligheid voordat u het product monteert.

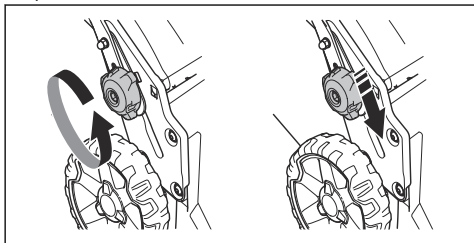


WAARSCHUWING: Voorkom onbedoeld starten tijdens de montage door de veiligheidssleutel op 0 te zetten, de accu te verwijderen en ten minste 5 seconden te wachten.

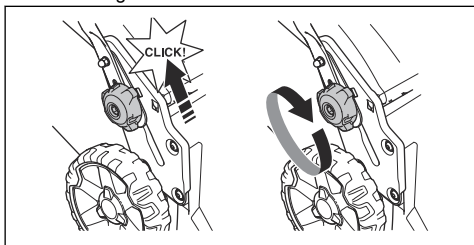
De handgreep afstellen

1. Draai de onderste knoppen los.

2. Beweeg de knoppen naar het onderste uiteinde van de sleuven aan de linker- en rechterzijde van het product.



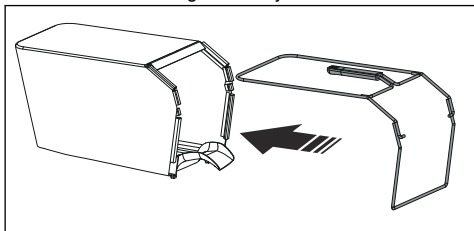
3. Stel de hendelhoogte af op een van de twee beschikbare posities.
4. Beweeg de knoppen omhoog naar de handgreep tot de aanslag en u een klik hoort.



5. Draai de knoppen volledig vast.

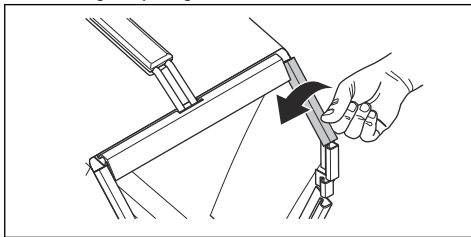
Grasopvangbak monteren

1. Breng het frame van de grasopvangbak aan in de graszak met het stevige gedeelte van de zak aan de onderzijde. Zorg dat de hendel van het frame aan de bovenkant van de graszak blijft.

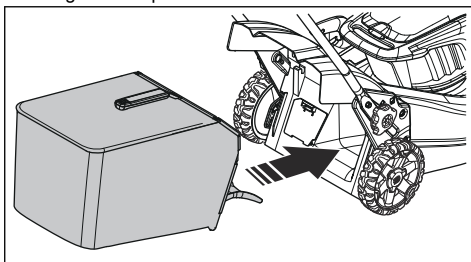


2. Bevestig het onderste gedeelte van het frame van de grasopvangbak in de groef aan de onderzijde van de grasopvangbak.

3. Bevestig de graszak met de klemmen aan het frame van de grasopvangbak.

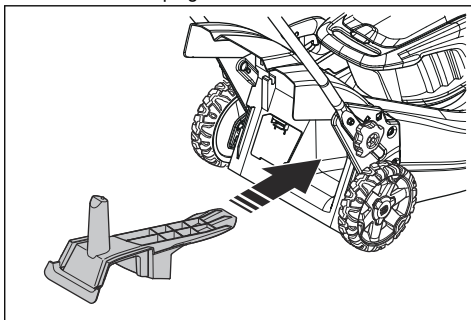


4. Til de achterklep op.
5. Bevestig de grasopvangbak aan de bovenrand van het chassis.
6. Plaats het onderste deel van de grasopvangbak in het grasuitwerpkanaal.



Mulchplug monteren (accessoire)

1. Til de achterklep op en verwijder de grasopvangbak.
2. Steek de mulchplug in het afvoerkanaal.



3. Vervang het mes door het in de mulchkit meegeleverde mulchmes. Zie *Mes verwijderen en vervangen op pagina 432*.

Werking

Inleiding



WAARSCHUWING: Voordat u het product gaat gebruiken, dient u het

hoofdstuk over veiligheid te lezen en hebben begrepen.

Husqvarna Connect

Husqvarna Connect is een gratis app voor uw mobiele apparaat. De Husqvarna Connect-app biedt uitgebreide functies voor uw Husqvarna-product:

- Uitgebreide productinformatie.
- Informatie over, en hulp bij, onderdelen en onderhoud van uw product.

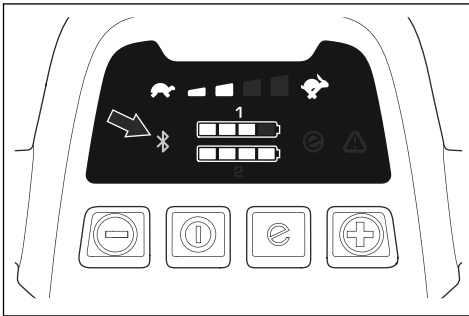
Husqvarna Connect gebruiken

1. Download de Husqvarna Connect-app op uw mobiele apparaat.
2. Registreer in de Husqvarna Connect-app.
3. Volg de instructies in de Husqvarna Connect-app om verbinding te maken met het product en dit te registreren.

Bluetooth®-informatie (LC 247iX, LC 347iVX, LC 353iVX)

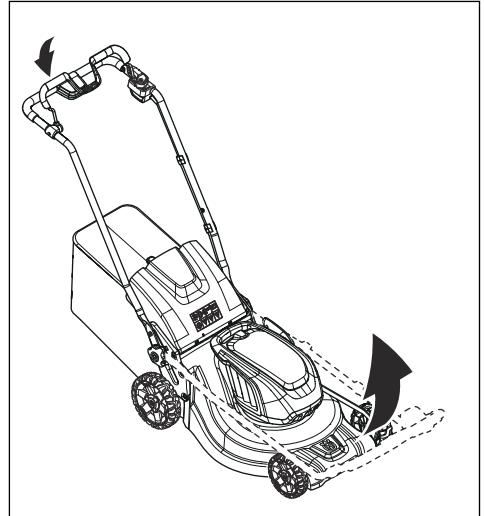
Draadloze Bluetooth®-technologie

Het symbool voor draadloze *Bluetooth*®-technologie gaat branden als uw mobiele apparaat is verbonden met het apparaat.

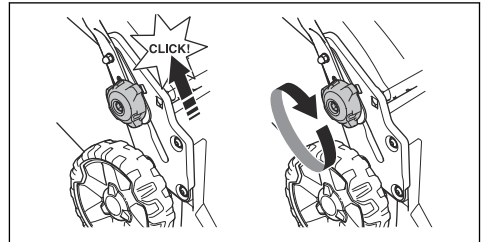


Product in de werkstand zetten

1. Klap de handgreep omhoog.



2. Beweeg de knoppen omhoog naar de handgreep tot de aanslag en u een klik hoort.



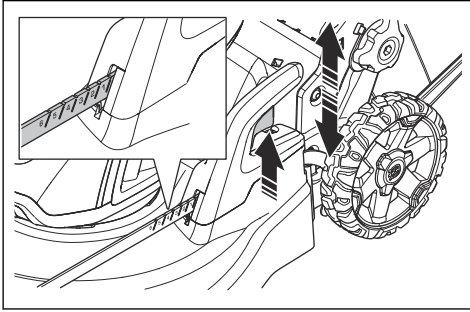
3. Draai de knoppen volledig vast.

Maaihoogte afstellen

De maaihoogte is op 6 niveaus verstelbaar.

1. Breng de maaihoogtehendel naar beneden om de maaihoogte te verlagen.

2. Breng de maaïhoogtehendel omhoog om de maaïhoogte te verhogen.



OPGELET: Stel de maaïhoogte niet te laag in. Als het oppervlak van het gazon niet waterpas is, kunnen de messen de grond raken.

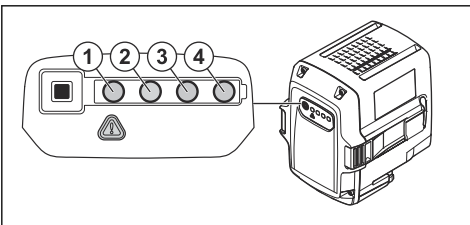
Accu



WAARSCHUWING: Voordat u het product gebruikt, dient u het hoofdstuk over veiligheid te lezen en hebben begrepen. Zorg er ook voor dat u de bedieningshandleiding bij de accu en de acculader hebt gelezen en begrepen.

Accustatus

Het display geeft de resterende accucapaciteit aan en geeft aan of er problemen zijn met de accu. De accucapaciteit wordt gedurende 5 seconden nadat het product is uitgeschakeld, weergegeven na het indrukken van de accu-indicatorknop. Het waarschuwings­symbool op de accu gaat branden als er een fout is opgetreden. Zie *Accu op pagina 433*.



LED-lampjes	Accustatus
Alle leds branden	Volledig opgeladen (75-100%)
Led 1, led 2, led 3 branden	De accu is 50%-75% opgeladen
Led 1, led 2 branden	De accu is 25%-50% opgeladen

LED-lampjes	Accustatus
Led 1 brandt	De accu is 0%-25% opgeladen.
LED 1 knippert	De accu is leeg. Laad de accu op.

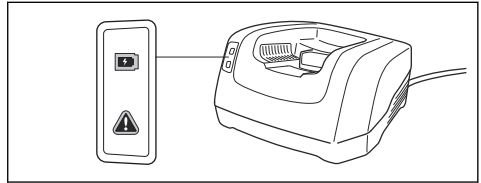
De accu opladen

Laad de accu voor het eerste gebruik op. De accu is slechts 30% opgeladen wanneer deze aan de klant wordt geleverd.

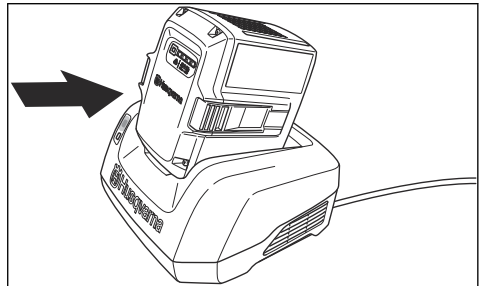
Let op: De acculader moet worden aangesloten op de spanning en frequentie die overeenkomen met de specificaties op het productplaatje.

De accu wordt niet opgeladen als de accutemperatuur hoger is dan 50°C. De acculader verlaagt de temperatuur van de accu voordat deze begint te laden.

1. Sluit een uiteinde van de voedingskabel voor de acculader aan op de aansluiting van de acculader.
2. Sluit het andere uiteinde van de voedingskabel van de acculader aan op een geaarde wandcontactdoos. De LED op de acculader licht eenmaal groen op.



3. Plaats de accu in de acculader. Het groene lampje op de lader gaat branden wanneer de accu correct is aangesloten op de acculader.



4. Wanneer alle LED's op de accu branden, is de accu volledig opgeladen. Laad de accu max. 24 uur op.
5. Om de acculader uit de wandcontactdoos los te koppelen, dient u aan de stekker, niet aan de kabel te trekken.
6. Haal de accu uit de acculader.

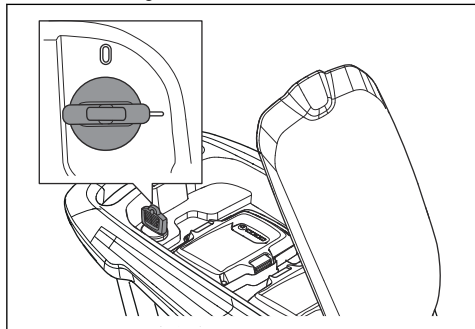
Acculaadstatus

Een Li-ionaccu van Husqvarna kan worden opgeladen en gebruikt bij alle laadniveaus. De accu wordt niet beschadigd. Een volledig opgeladen accu zal geen lading verliezen, zelfs niet wanneer de accu in de lader blijft staan.

LED-display	Laadstatus
LED 1 knippert	0%-25%
Led 1 brandt, led 2 knippert	25%-50%
Led 1 en led 2 branden, led 3 knippert	50%-75%
Led 1, led 2 en led 3 branden, led 4 knippert	75%-100%
Led 1, led 2, led 3, led 4 branden	Volledig opgeladen

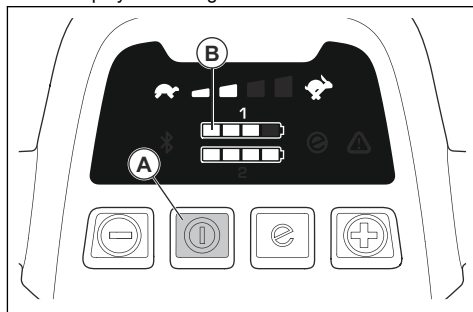
Product starten

1. Open het accudeksel.
2. Plaats een opgeladen accu in één van de accuhouders. Plaats een tweede opgeladen accu in de andere accuhouder voor een langere bedrijfstijd.
3. Draai de veiligheidsleutel naar 1.

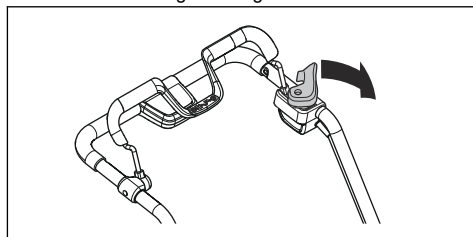


4. Blijf achter het product.

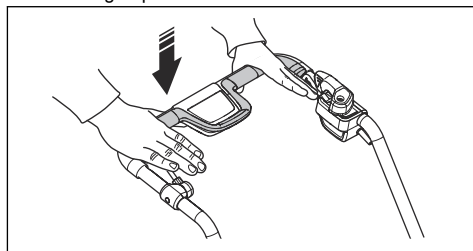
5. Druk op de AAN/UIT-knop (A) op het bedieningspaneel. Het display gaat aan. De accu-indicator (B) geeft het laadniveau van de twee accu's aan. Het nummer van de accu die werkt wordt getoond naast de accu-indicator. Op de modellen LC 347iV, LC 347iVX, LC 353iV, LC 353iVX toont het display ook de ingestelde snelheid.



6. Maak de startvergrendeling los.

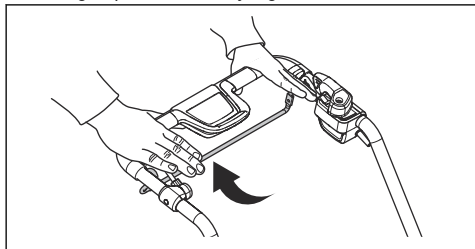


7. Druk de hendel van de motorrem in de richting van de handgreep.

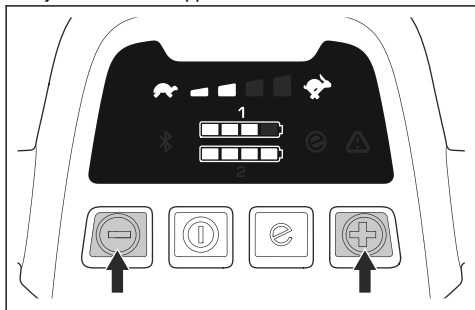


De aandrijving op de wielen gebruiken LC 347iV, LC 347iVX, LC 353iV, LC 353iVX

- Trek de aandrijfhendel in de richting van de handgreep om de aandrijving te starten.



- Druk op + en - op het bedieningspaneel om de rijsnelheid in 4 stappen in te stellen.

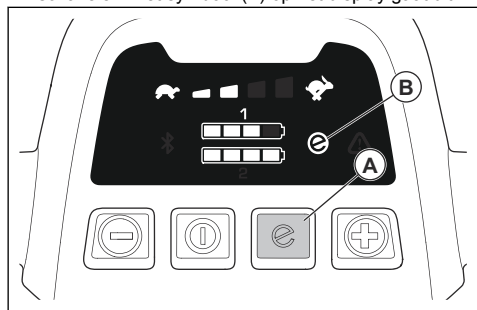


- Laat de aandrijfhendel los om de aandrijving uit te schakelen, bijvoorbeeld wanneer u bij een obstakel komt.

De functie gebruiken

Het product heeft een accubesparingsfunctie (e) die voor een langere bedrijfstijd zorgt.

1. Druk op de knop (A) om de functie te starten. Het symbool (B) op het display gaat branden.
2. Druk nogmaals op de knop om de functie uit te schakelen. Het symbool (B) op het display gaat uit.



De functie stopt automatisch als de bodemgesteldheid een hoger vermogen vereist. De functie start automatisch opnieuw als de bodemgesteldheid dit toelaat.

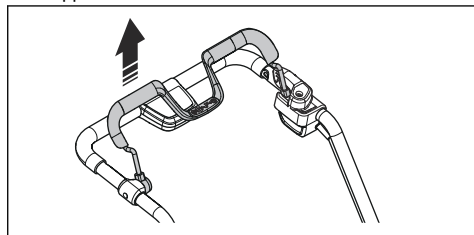
Functie voor hoge belasting

Als het product lang of vochtig gras maait, verhoogt de motor automatisch het toerental. De motor gaat terug naar de standaardmodus wanneer een hoge belasting niet noodzakelijk is.

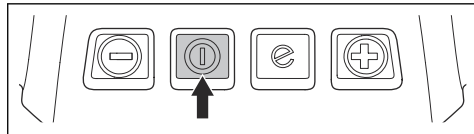
Product stoppen

Het product stopt automatisch als het 10 minuten niet wordt bediend. Zet altijd de beveiligingssleutel op 0 wanneer u geen toezicht houdt op het product.

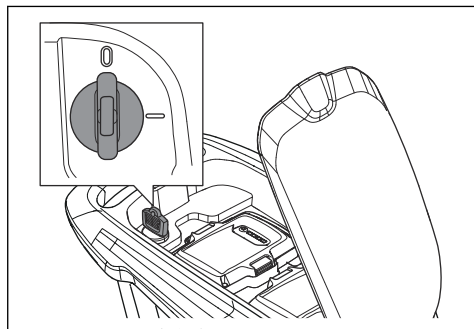
1. Laat de remhendel van de motor los om de motor te stoppen.



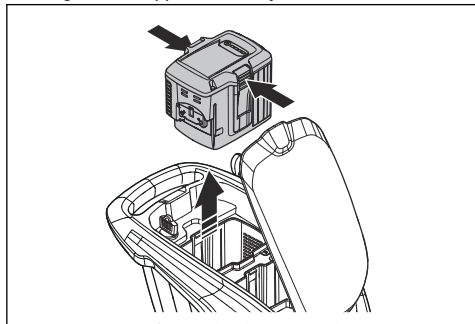
2. Druk op de AAN/UIT-knop op het bedieningspaneel. Alle ledlampjes en symbolen op het display gaan uit.



3. Open het accudeksel en zet de veiligheidsleutel in de stand 0.



4. Om de accu te verwijderen, drukt u op de 2 ontgrendelknoppen en verwijdert u de accu.



5. Laad de accu op wanneer deze zwak is. Zie *De accu opladen op pagina 428* voor meer informatie.

Een goed resultaat verkrijgen

- Gebruik altijd een scherp mes. Een bot mes geeft een onregelmatig resultaat en het snijvlak van het gras wordt geel. Een scherp mes verbruikt ook minder energie dan een bot mes.

- Maai nooit meer dan 1/3e van de lengte van het gras af. Maai eerst met een hoog ingestelde maaihoogte. Controleer het resultaat en verlaag de snijhoogte tot een geschikt niveau. Als het gras echt lang is, rijd dan langzaam en maai zo nodig 2 keer.
- Maai elke keer in een andere richting, om het ontstaan van strepen in het gazon te voorkomen.

Zonder grasopvangbak of mulchplug grasmaaien

- Til de achterklep op en verwijder de grasopvangbak.
- Verwijder aangekoppelde mulchpluggen en mulchmessen.
- Sluit de achterklep voordat u het product gebruikt.

Wanneer u het product gebruikt, wordt het gemaaide gras onder de achterklep uitgeworpen.

Onderhoud

Inleiding



WAARSCHUWING: Voordat u onderhoud gaat uitvoeren, dient u het hoofdstuk over veiligheid te lezen en hebben begrepen.

Voor alle onderhouds- en reparatiewerkzaamheden aan het product is speciale training nodig. Wij garanderen de beschikbaarheid van professionele reparaties en onderhoud. Indien uw dealer geen servicewerkplaats

heeft, vraag hem dan naar de dichtstbijzijnde servicewerkplaats.

Onderhoudsschema

De onderhoudsintervallen worden berekend op basis van het dagelijks gebruik van het product. De intervallen veranderen als het product niet dagelijks wordt gebruikt.

Voor onderhoud dat is gemarkeerd met *: zie de instructies in *Veiligheidsinstructies voor bediening op pagina 420*.

	Elk gebruik	Maandelijks	Elk seizoen
Algemene inspectie uitvoeren	X		
Product reinigen	X		
Controleer de startvergrendeling *	X		
Controleer of de veiligheidsvoorzieningen op het product in orde zijn *	X		
Snijuitrusting controleren	X		
Kap van het maaidek controleren *	X		
Controleer de remhendel van de motor *	X		
Zorg dat de AAN/UIT-knop naar behoren werkt en in orde is	X		
Controleer de accu op beschadigingen	X		
Controleer het laadniveau van de accu	X		

	Elk ge- bruik	Maande- lijks	Elk sei- zoen
Controleer of de ontgrendelknoppen op de accu naar behoren werken en de accu in het product wordt vergrendeld	X		
Controleer de acculader op beschadiging en zorg dat deze naar behoren werkt.		X	
Controleer de verbindingen tussen de accu en het product. Controleer ook de verbinding tussen de accu en de acculader.			X

Algemene inspectie uitvoeren

- Controleer of de moeren en schroeven op het product goed zijn vastgedraaid.
- Zorg dat de kabels van het product zich in een positie vinden waarin ze niet beschadigd kunnen raken.

Product reinigen

- Reinig de kunststof onderdelen met een schone en droge doek.
- Gebruik geen water om het product te reinigen. Water kan de accu of de motor binnendringen en kortsluiting of schade aan het product veroorzaken.
- Reinig het product niet met een hogedrukspuit.
- Laat nooit water rechtstreeks op de motor stromen.
- Gebruik een borstel om bladeren, gras en vuil te verwijderen.

Accu en acculader reinigen



OPGELET: Reinig de accu of acculader nooit met water.

- Zorg ervoor dat de accu en de acculader schoon en droog zijn voordat u de accu in de acculader plaatst.
- Reinig de accupolen met perslucht of gebruik een zachte en droge doek.
- Reinig de oppervlakken van de accu en de acculader met een zachte en droge doek.

Snijuitrusting controleren



WAARSCHUWING: Voorkom onbedoeld starten door de veiligheidssleutel op 0 te zetten, de accu te verwijderen en ten minste 5 seconden te wachten.



WAARSCHUWING: Draag beschermende handschoenen wanneer u onderhoud aan de snijuitrusting uitvoert. Het mes is zeer scherp en kan gemakkelijk snijwonden veroorzaken.

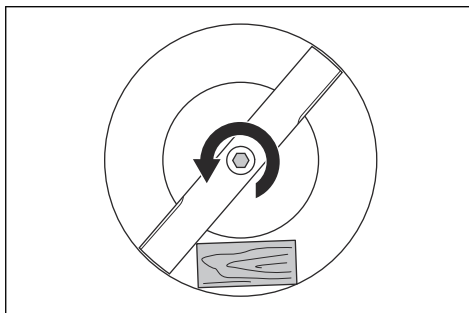
1. Controleer de snijuitrusting op beschadiging of scheuren. Vervang beschadigde snijuitrusting altijd.

2. Kijk naar het mes om te zien of dit is beschadigd of bot is.

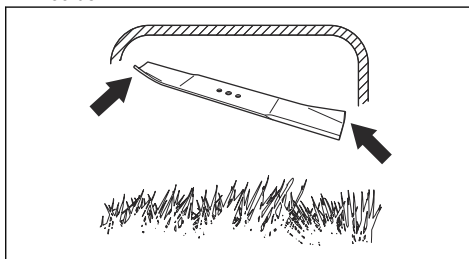
Let op: Het mes moet na het slijpen worden gebalanceerd. Laat het slijpen, vervangen en balanceren door een servicecentrum uitvoeren. Als u een obstakel raakt waardoor het product stopt, vervang dan het beschadigde mes. Laat het servicecentrum beoordelen of het mes kan worden geslepen of moet worden vervangen.

Mes verwijderen en vervangen

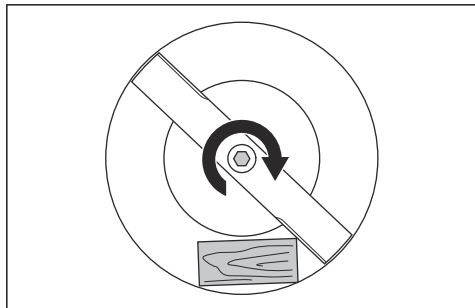
1. Zet het mes vast met een houten blok.



2. Verwijder de mesbout.
3. Verwijder het mes.
4. Controleer de messteun en de mesbout om te zien of er schade is.
5. Controleer de motoras om te controleren of deze niet is verbogen.
6. Wanneer u het nieuwe mes bevestigt, richt dan de gebogen uiteinden van het mes naar de kap van het maaidek.



7. Controleer of het mes is uitgelijnd met het midden van de motoras.
8. Zet het mes vast met een houten blok. Bevestig de veerring en draai de bout en ring vast met een aanhaalmoment van 23-28 Nm.



9. Draai het mes met de hand rond en controleer of het vrij draait.



WAARSCHUWING: Draag handschoenen van dikke stof. Het mes is zeer scherp en kan gemakkelijk snijwonden veroorzaken.

10. Start het product om het mes te testen. Als het mes niet goed is bevestigd, zijn er trillingen in het product of is het maairesultaat niet goed.

Probleemoplossing

Accu

LED op de accu	Mogelijke fouten	Mogelijke procedure
De groene LED knippert	De accuspanning is laag	Laad de accu op. Zie <i>De accu opladen op pagina 428</i> .
De fout-LED knippert	De accu is zwak	Laad de accu op. Zie <i>Accu op pagina 433</i> .
	De temperatuur in de werkomgeving is te hoog of te laag	Gebruik de accu bij temperaturen tussen -10 °C en 40 °C.
	Overspanning	Controleer of de netspanning overeenkomt met de spanning die is aangegeven op het typeplaatje op het product. Haal de accu uit de acculader. Wacht 5 seconden en probeer de accu opnieuw op te laden. Indien het probleem zich blijft voordoen, neem dan contact op met een erkende servicewerkplaats.
De fout-LED brandt	Celverschil te groot (1V)	Neem contact op met een erkende servicewerkplaats.

Acculader

LED op de acculader	Mogelijke fouten	Mogelijke procedure
De fout-LED knippert	De temperatuur in de werkomgeving is te hoog of te laag	Gebruik de acculader bij temperaturen tussen 5 °C en 40 °C.
De fout-LED brandt		Neem contact op met een erkende servicewerkplaats

Bedieningspaneel

Toetsenbord	Foutcode (aantal keer knippen)	Mogelijke fouten	Mogelijke actie
De fout-led knippert	3	De motor is overbelast	Vergroot de maaihoogte. Zie <i>Maaihoogte afstellen op pagina 427</i> .
	5	Het motortoerental daalt te veel en de motor stopt	
	10	De motorregeling is te warm	Stop de motor en wacht tot hij is afgekoeld
	2	Het mes is geblokkeerd	Voorkom onbedoeld starten door de veiligheidssleutel op 0 te zetten, de accu te verwijderen en ten minste 5 seconden te wachten. Zorg ervoor dat het blad vrij kan draaien. Indien het probleem zich blijft voordoen, neem dan contact op met een erkende servicewerkplaats
	9	Accufout of geen signaal van de accu	Plaats de accu correct in het product en controleer de accuconnector. Als de fout-led op de accu knippert. Zie <i>Accu op pagina 428</i> .
Het product stopt	8	De accu is zwak	Laad de accu op. Zie <i>De accu opladen op pagina 428</i> .
	0	Storing accuconnector	Controleer de accuconnector
Andere fouten	Als er andere fouten optreden, draait u de veiligheidssleutel naar 0, verwijdert u de accu en neemt u contact op met een erkende servicewerkplaats.		

Vervoer, opslag en verwerking

Inleiding

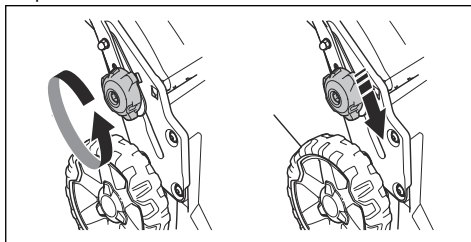


WAARSCHUWING: Voorkom onbedoeld starten tijdens transport door de veiligheidssleutel op "0" te zetten, de accu te verwijderen en ten minste 5 seconden te wachten.

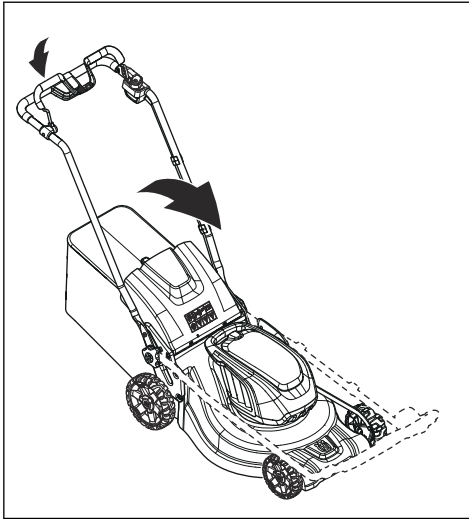
Het product in de transportstand zetten

1. Draai de onderste knoppen los.

2. Beweeg de knoppen naar het onderste uiteinde van de sleuven aan de linker- en rechterzijde van het product.



3. Klap de hendel naar voren.



4. Verwijder de grasopvangbak.

Transport

- De wettelijke vereisten voor gevaarlijke stoffen zijn van toepassing voor de Li-ion-accu's die in het product zitten.
- Voor commercieel transport moet aan speciale vereisten voor de verpakking en labels worden voldaan.
- Zorg dat u de regels voor gevaarlijke materialen in acht neemt bij het voorbereiden van het product voor transport. Er kunnen lokale voorschriften van toepassing zijn.
- Verwijder voor transport altijd de accu.
- Plaats tape op de accuconnectors en zorg ervoor dat de accu niet kan bewegen tijdens transport.
- Zet het product vast tijdens transport.

Opslag

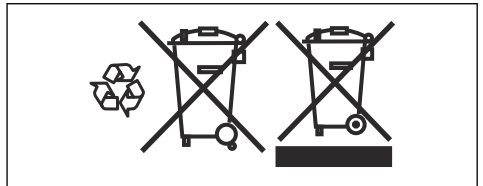
- Verwijder voor opslag altijd de accu.
- Om ongevallen te voorkomen, dient u ervoor te zorgen dat de accu tijdens opslag niet op het product is aangesloten.

- Bewaar de acculader in een afgesloten en droge ruimte.
- Bewaar de accu en de acculader op een droge, vocht- en vorstvrije plaats.
- Koppel de accu tijdens opslag los van de accu.
- Bewaar de accu niet op plaatsen waar statische elektriciteit aanwezig is. Bewaar de accu niet in een metalen doos.
- Bewaar de accu bij een temperatuur tussen 5 °C en 25 °C en nooit in direct zonlicht.
- Bewaar de acculader bij een temperatuur tussen 5 °C en 45 °C en nooit in direct zonlicht.
- Zorg ervoor dat de accu tussen de 30% en 50% is opgeladen alvorens langdurige opslag.
- Bewaar het product, de accu en de acculader in een afgesloten ruimte, buiten bereik van kinderen en onbevoegden.
- Reinig het product en voer een volledige onderhoudsbeurt uit voordat u het product voor langere tijd opslaat.

Afvoeren

Symbolen op het product of op de verpakking van het product geven aan dat dit product niet beschouwd kan worden als huishoudelijk afval. Het moet worden ingeleverd bij een geschikt inzamelstation voor het terugwinnen van elektrische en elektronische apparatuur.

Als u ervoor zorgt dat dit product goed wordt verwerkt, helpt u mogelijk negatieve gevolgen voor het milieu en mensen door verkeerd afvalbeheer van dit product tegen te gaan. Neem voor meer informatie over het recyclen van dit product contact op met de gemeente, het afvalverwerkingsbedrijf of de winkel waar u het product hebt gekocht.



Technische gegevens

Technische gegevens

	LC 247iX/LC 247i	LC 347iVX/LC 347iV	LC 353iVX/LC 353iV
Maaimotor			
Motortype	BLDC (borstelloos) 36 V	BLDC (borstelloos) 36 V	BLDC (borstelloos) 36 V

	LC 247iX/LC 247i	LC 347iVX/LC 347iV	LC 353iVX/LC 353iV
Motortoerental – SavE, tpm	2600	2600	2600
Motortoerental – nominaal, tpm	3000	3000	3000
Motortoerental – hoge belasting, tpm	3500	3500	3500
Uitgangsvermogen motor – max. kW	0,96	0,96	1,05
Uitgangsvermogen motor – nominaal, kW	0,75	0,75	0,9
Aandrijfmotor			
Uitgangsvermogen motor – nominaal, kW	NVT	0,25	0,25
Loopsnelheid, km/h	NVT	3,0–4,5	3,0–4,5
Afstelniveaus voor snelheid	NVT	4	4
Gewicht			
Gewicht zonder accu, kg	24	26	28
Accu			
Type accu	Accuserie Husqvarna	Accuserie Husqvarna	Accuserie Husqvarna
Gebruiksduur accu			
Gebruiksduur accu, min, (onbelast gebruik) met SavE geactiveerd, met één Husqvarna 5,2Ah-accu (Bli200).	43	43	32
Gebruiksduur accu, min, (onbelast gebruik) met standaardmodus geactiveerd, met één Husqvarna 5,2 Ah-accu (Bli200).	30	30	20
Geluidsemisies ⁴⁹			
Geluidsvermogeniveau, gemeten dB(A)	94	94	97
Geluidsvermogeniveau, gegarandeerd L _{WA} dB (A)	95	95	98
Geluidsniveau ⁵⁰			
Geluidsdrukniveau bij het oor van de gebruiker, dB (A)	82	82	86
Trillingsniveau ⁵¹			
Handgreep, m/s ²	0,42	0,42	2,64
Snijtrusting			
Maaihoogte, mm	20-75 mm	20-75 mm	20-75 mm
Maai breedte, cm	47	47	53

⁴⁹ Geluidsemisie naar de omgeving gemeten als geluidsvermogen (L_{WA}) volgens EG-richtlijn 2000/14/EG.

⁵⁰ De gerapporteerde gegevens voor het geluidsdrukniveau vertonen een typische statistische spreiding (standaardafwijking) van 1,2 dB (A).

⁵¹ De gerapporteerde gegevens voor een trillingsniveau vertonen een typische statistische spreiding (standaardafwijking) van 0,2 m/s². Trillingsnorm EN 60335-2-77:2017 hoofdstuk 20.105

	LC 247iX/LC 247i	LC 347iVX/LC 347iV	LC 353iVX/LC 353iV
Blad, standaard	Verzamelen 5905934-10	Verzamelen 5905934-10	Verzamelen 5940757-10
Blad, accessoire	Mulch 5907010-10	Mulch 5907010-10	Mulch 5950072-10
Capaciteit grasopvangbak, liter	55	55	60

Radiofrequentiegegevens voor Bluetooth®	LC 247iX	LC 347iVX	LC 353iVX
Frequentieband, GHz	2,4-2,4835	2,4-2,4835	2,4-2,4835
Uitgangsvermogen, max. dBm	4	4	4

Goedgekeurde accu's	Type	Accucapaciteit, Ah	Spanning, V	Gewicht, lb/kg
BLi20	Lithium-ion	4,0	36	2,6/1,2
BLi30	Lithium-ion	7,7	36	4,2/1,9
BLi200	Lithium-ion	5,2	36	2,8/1,3
BLi300	Lithium-ion	9,4	36	4,1/1,9

Goedgekeurde laders voor de gespecificeerde accu's, BLI	Ingangsspanning, V	Frequentie, Hz	Vermogen, W
QC80	100-240	50-60	80
QC80F	12	0	80
QC250	100-240	50-60	250
QC330	100-240	50-60	330
QC500	100-240	50-60	500

EG verklaring van overeenstemming

EU-verklaring van overeenstemming

Husqvarna AB, SE-561 82 Huskvarna, Zweden, tel.: +46-36-146500, verklaart dat de **gazonmaaier Husqvarna LC 247i, LC 247iX, LC 347iV, LC 347iVX, LC 353iV, LC 353iVX** van het jaar 2018 en nieuwer, voldoet aan de voorschriften van de RICHTLIJN VAN DE RAAD:

- van 8 juni 2011 over de "beperking van het gebruik van bepaalde gevaarlijke stoffen" **2011/65/EU**
- van 17 mei 2006 'met betrekking tot machines' **2006/42/EG**
- van 8 mei 2000 "met betrekking tot geluidsemissies in het milieu" **2000/14/EG**

Voor informatie over geluidsemissies, zie *Technische gegevens op pagina 435*.

De volgende normen zijn van toepassing:

EN/IEC 60335-1, EN/IEC 60335-2-77, EN/IEC 62233, EN 55014-1, EN ETSI 301 489-7 v1.3.1, EN 61000-6,

ETSI EN 61000-6-1, EN 300 328 BT low energy Tx/Rx, EN 50581

Tenzij anders vermeld, betreft het de meest recente versies van de hierboven genoemde normen.

Aangemelde instantie: **0404, RISE SMP Svensk Maskinprovning AB, Box 7035, SE-750 07 Uppsala** heeft de overeenstemming beoordeeld volgens bijlage VI van richtlijn 2000/14/EG.

Huskvarna, 2020-04-22



Claes Losdal, Development Manager/Garden Products (gemachtigde vertegenwoordiger voor Husqvarna AB en verantwoordelijk voor technische documentatie.)

Geregistreerde handelsmerken

Het *Bluetooth*[®]-woordmerk en de logo's zijn geregistreerde handelsmerken die eigendom zijn van *Bluetooth SIG, inc.* en het gebruik van deze merken door Husqvarna vindt plaats onder licentie.

INNHold

Innledning.....	439	Feilsøking.....	457
Sikkerhet.....	443	Transport, oppbevaring og avhending.....	458
Montering.....	450	Tekniske data.....	459
Drift.....	451	EF-samsvarserklæring.....	462
Vedlikehold.....	455	Registrerte varemerker.....	462

Innledning

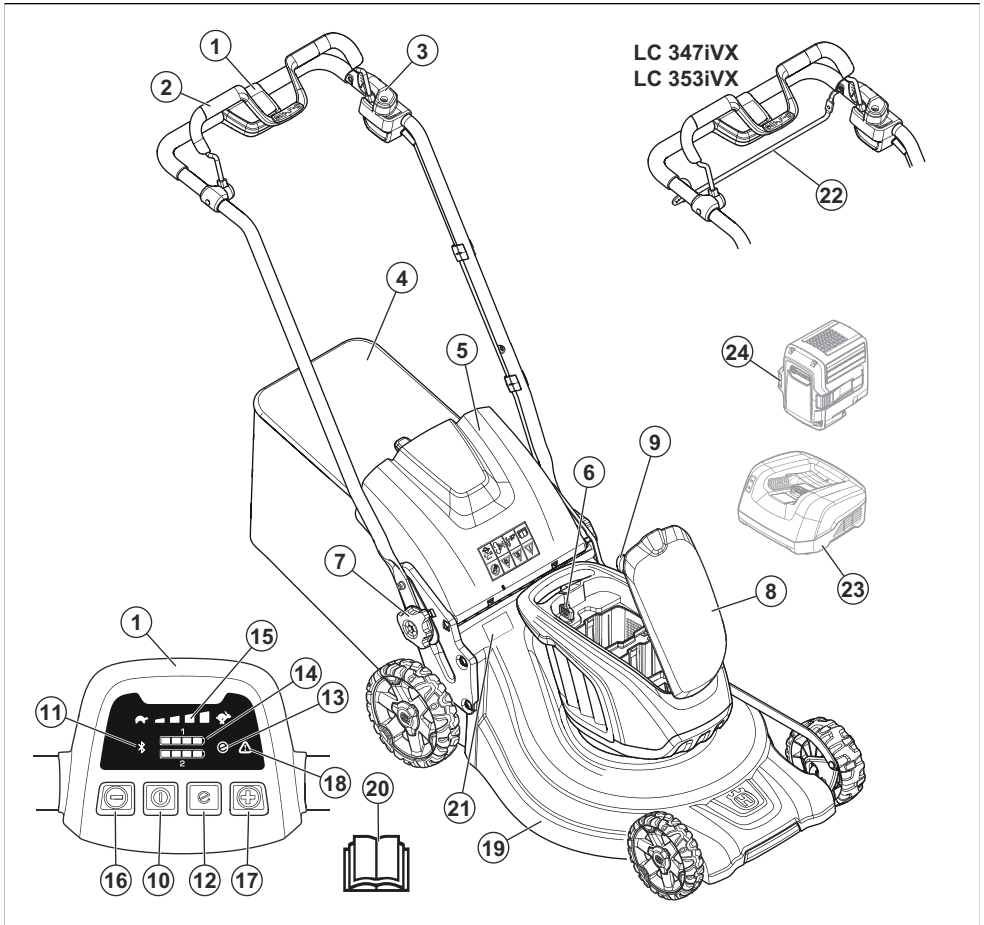
Produktbeskrivelse

Produktet er en roterende skyveggressklipper. Gresset samles i oppsamleren. Ta av oppsamleren for å få bakutkast for gress. Fest et bioklippsett (tilbehør) for å klippe gresset til gjødsel.

Bruksområder

Bruk produktet til å klippe gress. Ikke bruk produktet til andre oppgaver.

Produktoversikt



- | | |
|--|---|
| 1. Kontrollpanel | 15. Hastighetsnivåindikator (LC 347iV, LC 347iVX, LC 353iV, LC 353iVX) |
| 2. Motorbremsehåndtak | 16. Redusere hastighet-knapp (LC 347iV, LC 347iVX, LC 353iV, LC 353iVX) |
| 3. Startsperre | 17. Øke hastighet-knapp (LC 347iV, LC 347iVX, LC 353iV, LC 353iVX) |
| 4. Gressopsamler | 18. LED-feillampe |
| 5. Bakdeksel | 19. Klippedeksel |
| 6. Tenningsnøkkel | 20. Bruksanvisning |
| 7. Håndtaksknott | 21. Typeskilt |
| 8. Batterideksel | 22. Sikkerhetsbøyle (LC 347iV, LC 347iVX, LC 353iV, LC 353iVX) |
| 9. Klippehøydergulering | 23. Batterilader (tilleggsutstyr) |
| 10. AV/PÅ-knapp | 24. Batteri (tilbehør) |
| 11. Indikator for trådløs Bluetooth®-teknologi | |
| 12. SavE-knapp | |
| 13. SavE-indikator | |
| 14. Batteriindikator | |

Symboler på produktet



ADVARSEL! Vær forsiktig, og bruk produktet riktig. Dette produktet kan føre til alvorlig personskade eller død for operatøren eller andre.



Les nøye gjennom bruksanvisningen, og sørg for at du har forstått instruksjonene før bruk.



Hold personer og dyr på trygg avstand fra arbeidsområdet.



Se opp for gjenstander som slynges ut og rikosjetterer.



Advarsel: Hold hender og føtter borte fra den roterende kniven.



Advarsel: Hold hender og føtter borte fra bevegelige deler.



Fjern tenningsnøkkelen før du utfører

reparasjoner eller vedlikehold.



Må ikke utsettes for regn.



Produktet og produktemballasjen er ikke restavfall. Resirkuler det på et gjenvinningsanlegg for elektrisk og elektronisk utstyr.



Dette produktet samsvarer med gjeldende EF-direktiver.



Dette produktet samsvarer med gjeldende Eurasian Customs Union-direktiver.



Dette produktet samsvarer med gjeldende UkrSEPRO-direktiver.



Dette produktet samsvarer med gjeldende RCM-direktiver. Gjelder bare i AU/NZ.



Støyutslipp til omgivelsene i henhold til EU-direktiv 2000/14/EF og New South Wales-forskriften «Protection of the Environment Operations (Noise Control) Regulation 2017». Du finner informasjon om støyutslipp på maskinetiketten og i kapittelet Tekniske data.



Kode som kan skannes

Merk: Øvrige symboler/ klistremerker angitt på produktet gjelder sertifiseringskrav for visse markeder.

Etikett på produktet



IPX1 Produktet er dryppebeskyttet.

Startprosedyre: Trykk på PÅ/AV-knappen, løsne startspærren, skyv motorbremsehåndtaket ned.



Slipp motorbremsehåndtaket for å stoppe.



Langsamt



Raskt

Hold hender og føtter borte fra de roterende knivene.

Produktansvar

Som nevnt i lovverket om produktansvar er vi ikke ansvarlig for skader som produktet vårt forårsaker, i følgende tilfeller:

- Produktet er reparert på feil måte.
- Produktet er reparert med deler som ikke kommer fra produsenten eller som ikke er godkjent av produsenten.
- Produktet har et tilbehør som ikke kommer fra produsenten eller som ikke er godkjent av produsenten.
- Produktet er ikke reparert på et godkjent servicesenter eller av en godkjent aktør.

Sikkerhetsdefinisjoner

Advarsler, oppfordringer og merknader brukes for å understreke spesielt viktige deler av bruksanvisningen.



ADVARSEL: Brukes hvis det er fare for personskade eller død for føreren eller andre personer om instruksjonene i håndboken ikke følges.



OBS: Brukes hvis det er fare for skade på produktet, annet materiell eller nærliggende områder om instruksjonene i håndboken ikke følges.

Merk: Brukes for å gi mer nødvendig informasjon for en spesifikk situasjon.

Generelle sikkerhetsinstruksjoner



ADVARSEL: Les de følgende advarselinstruksjonene før du bruker produktet.

- Dette produktet er farlig hvis det brukes feil, eller hvis du ikke er forsiktig. Personskade eller død kan forekomme hvis du ikke følger sikkerhetsinstruksjonene.
- Dette produktet danner et elektromagnetisk felt når det er i bruk. Dette feltet kan under visse forhold forstyrre aktive eller passive medisinske implantater. For å redusere faren for hendelser som kan føre til alvorlig eller livstruende skade, anbefaler vi at personer med medisinske implantater rådfører seg med lege og produsenten av det medisinske implantatet før dette produktet tas i bruk.
- Vær alltid forsiktig og bruk sunn fornuft. Hvis du ikke er sikker på hvordan du skal bruke produktet i en bestemt situasjon, må du stoppe og snakke med Husqvarna-forhandleren før du fortsetter.
- Husk at brukeren er ansvarlig for ulykker som involverer andre personer eller deres eiendom.
- Hold produktet rent. Sørg for at du kan lese skilt og merker.

- La aldri barn eller personer som ikke har satt seg inn i bruksanvisningen, bruke apparatet. Operatørens lavalder kan være fastsatt i lokale forskrifter
- Overvåk alltid personer med redusert fysisk eller mental kapasitet når de bruker produktet. En ansvarlig voksen må alltid være til stede.
- Ikke bruk produktet dersom du er trett eller syk eller under påvirkning av alkohol, andre rusmidler eller medisiner. Disse tingene har en negativ effekt på synet, vurderingsevnen og dømmekraften din.
- Ikke bruk produktet hvis det er defekt.
- Ikke modifier dette produktet, og ikke bruk det dersom det er mulig at andre har modifisert det.
- Gjenstander som treffer skjærestyret, kan slynges ut og forårsake skade på personer og gjenstander. Hold tilskuere og dyr på trygg avstand fra produktet.
- Bruk aldri produktet i dårlig vær, for eksempel i tåke, regn, sterk vind, sterk kulde, eller ved fare for lyn. Det er slitsomt å bruke produktet i dårlig vær eller på fuktige eller våte steder. Dårlig vær kan forårsake farlige forhold, for eksempel glatt underlag.
- Hold utkikk etter personer, objekter og situasjoner som kan forhindre sikker bruk av produktet.
- Se etter hindringer, for eksempel røtter, steiner, kvister, fordypninger og grøfter. Høyt gress kan skjule hindringer.
- Det kan være farlig å klippe gress i skråninger. Ikke klipp hvis bakken er for bratt. Ikke bruk produktet i skråninger som heller mer enn 15 grader
- Vær ekstremt forsiktig når du svinger i bakker/hellinger. Bruk produktet på tvers av skråninger. Ikke gå opp og ned.
- Vær forsiktig når du nærmer deg skjulte hjørner eller

Sikkerhet i arbeidsområdet



ADVARSEL: Les de følgende advarselinstruksjonene før du bruker produktet.

- Fjern gjenstander som greiner, kvister og steiner fra området før du bruker produktet.

gjenstander som blokkerer sikten.

Arbeidssikkerhet



ADVARSEL: Les de følgende advarslene før du bruker produktet.

- Bruk dette produktet bare til å klippe gressplener. Det er ikke tillatt å bruke det til andre formål.
- Bruk personlig verneutstyr. Se *Personlig verneutstyr på side 446*.
- Sørg for at du vet hvordan du stopper motoren raskt i en nødsituasjon.
- Produktet må ikke brukes i regn eller fuktige omgivelser. Fare for elektrisk støt øker hvis det kommer vann inn i produktet.
- Ikke bruk produktet med mindre kniven og alle deksler er riktig montert. En kniv som er feilmontert, kan løsne og forårsake personskade.
- Pass på at kniven ikke kommer borti gjenstander som steiner og røtter. Dette kan skade kniven og bøye motorakselen. En bøyd aksel kan forårsake mye vibrasjon og utgjør en svært høy fare for at kniven blir løs.
- Hvis kniven treffer en gjenstand eller det oppstår kraftige vibrasjoner, må produktet stanses øyeblikkelig. Stopp motoren, vri tenningsnøkkelen til 0, og fjern batteriet. Kontroller produktet for skader. Reparer skader, eller la et autorisert serviceverksted utføre reparasjon.
- Du må aldri feste motorbremsehåndtaket permanent til håndtaket når motoren startes.
- Plasser produktet på et stabilt, flatt underlag, og start det. Pass på at kniven ikke berører bakken eller andre gjenstander.
- Hold deg alltid bak produktet når du bruker det.
- La alle hjulene være på bakken, og hold begge hender på håndtaket når du bruker produktet. Hold hender og føtter borte fra de roterende knivene.
- Unngå å vippe produktet opp mens motoren startes.
- Vær forsiktig når du trekker produktet bakover.
- Du må aldri løfte produktet når motoren startes. Hvis du har behov for å løfte produktet, må du først stoppe motoren, vri

tenningsnøkkelen til 0 og fjern batteriet.

- Ikke gå bakover når du bruker produktet.
- Stopp motoren når du går over områder uten gress, for eksempel gangveier av grus, stein og asfalt.
- Ikke løp med produktet når motoren er på. Du må alltid gå mens du bruker produktet.
- Stopp motoren før du endrer klippehøyde. Utfør aldri justeringer mens motoren er i gang.
- La aldri produktet være ute av syne mens motoren er i gang. Stopp motoren, og forsikre deg om at skjærestyret ikke roterer.

Sikkerhetsinstruksjoner for drift

Personlig verneutstyr



ADVARSEL: Les de følgende advarselinstruksjonene før du bruker produktet.

- Verneutstyr kan aldri fullstendig forhindre skade, men det reduserer skadeomfanget hvis ulykken inntreffer. Spør forhandleren din om hjelp til å velge riktig utstyr.

- Bruk kraftige, sklisikre støvler eller sko. Ikke bruk åpne sko eller gå barbeint.
- Bruk tykke langbukser.
- Bruk vernehansker når det er nødvendig, for eksempel når du fester, undersøker eller rengjør skjærestyret.

Sikkerhetsutstyr på produktet



ADVARSEL: Les de følgende advarslene før du bruker produktet.

- Ikke bruk produktet dersom sikkerhetsutstyret er defekt.
- Utfør regelmessig kontroll av sikkerhetsutstyret. Ta kontakt med ditt Husqvarna-serviceverksted, dersom sikkerhetsutstyret er defekt.

Slik kontrollerer du klippedekselet

Klippedekselet gir mindre vibrasjoner og minsker risikoen for skader forårsaket av kniven.

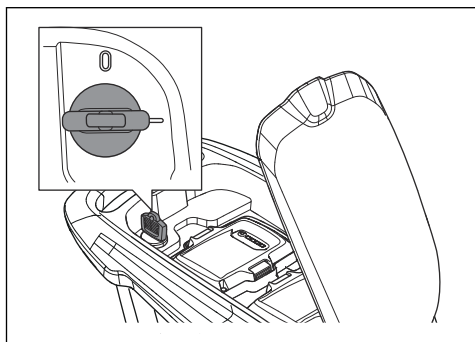
- Undersøk klippedekselet for å sikre at det ikke er noen skader, for eksempel sprekker.

Tenningsnøkkel

Tenningsnøkkelen er under batteridekselet.

Tenningsnøkkelen kobler til batteriet som forsyner motoren med strøm.

- Skru motoren på og av for å utføre en kontroll av tenningsnøkkelen.
- Hvis tenningsnøkkelen fungerer riktig, kan motoren bare starte når tenningsnøkkelen er i posisjon 1.

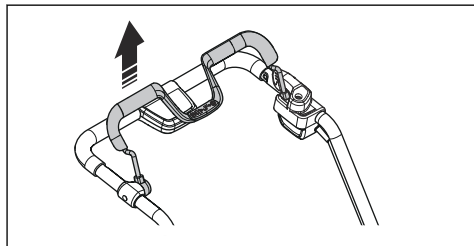


Motorbremsehåndtak

Motorbremshåndtaket stopper motoren. Når du slipper motorbremshåndtaket, stopper motoren.

Hvis du vil kontrollere motorbremsen, starter du motoren og slipper deretter motorbremshåndtaket. Hvis motoren ikke stopper innen tre sekunder, må du la et godkjent

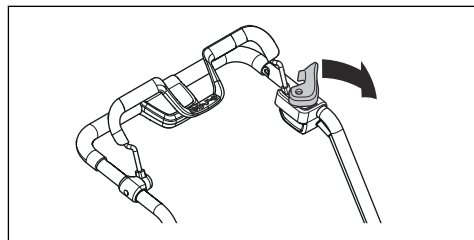
Husqvarna-serviceverksted justere motorbremsen.



Slik undersøker du startsperran

Utfør en kontroll av startsperran for å sikre at den hindrer driften av motoren.

1. Trykk motorbremshåndtaket i retning av styret. Startsperran stopper bevegelsen.
2. Skyv startsperran ut.



3. Løsne startsperran, og kontroller at den går tilbake til sin opprinnelige posisjon.

Batterisikkerhet



ADVARSEL: Les de følgende advarslene før du bruker produktet.

- Bruk bare Husqvarna oppladbare batterier som strømforsyning for relaterte Husqvarna-produkter. For å unngå personskader må du ikke bruke batteriet som strømforsyning for andre enheter.
- Ikke bruk ikke-oppladbare batterier.
- Fare for elektrisk støt. Ikke la batteripolene komme i kontakt med nøkler, mynter, skruer eller andre metallgjenstander. Dette kan føre til kortslutning av batteriet.
- Ikke sett gjenstander inn i luftåpningene til batteriet.
- Hold batteriet unna sollys, varme og åpen ild. Batteriet kan eksplodere og forårsake forbrenninger og/eller kjemiske forbrenninger.
- Hold batteriet unna regn og fuktighet.
- Hold batteriet unna mikrobølger og høyt trykk.
- Ikke prøv å demontere eller ødelegge batteriet.
- Hvis batteriet lekker, må væsken ikke komme i kontakt med hud eller øyne. Hvis du har berørt væsken, må du rengjøre området med store mengder vann og oppsøke legehjelp.
- Bruk batteriet i temperaturer mellom -10 og 40 °C.
- Ikke rengjør batteriet eller batteriladeren med vann. Se *Slik rengjør du batteriet og batteriladeren på side 456*.
- Ikke bruk et defekt eller skadet batteri.
- Oppbevar batteriene unna metallgjenstander, for eksempel spikre, mynter og smykker.

Sikker bruk av batteriladeren



ADVARSEL: Les de følgende advarslene før du bruker produktet.

- Bruk QC-batteriladere bare til å lade Husqvarna-erstatningsbatteriene.
- Fare for elektrisk støt eller kortslutning. Ikke sett gjenstander inn i luftåpningene til laderen. Ikke prøv å demontere batteriladeren. Ikke la ladekontaktene berøre metallgjenstander. Bruk en godkjent stikkontakt.
- Dette produktet danner et elektromagnetisk felt når det er i bruk. Dette feltet kan under visse forhold forstyrre aktive eller passive medisinske implantater. For å redusere faren for forhold som

- kan føre til alvorlig eller livstruende skade, anbefaler vi at personer med medisinske implantater rådfører seg med sin lege og produsenten av det medisinske implantatet før dette produktet tas i bruk.
- Kontroller regelmessig at strømledningen til batteriladeren ikke er skadet, og at det ikke er sprekker i den.
 - Ikke løft batteriladeren etter strømledningen. For å koble laderen fra stikkontakten drar du i støpselet. Ikke dra i ledningen.
 - Hold strømledningen og skjøteledninger borte fra vann, olje og skarpe kanter. Pass på at kabelen ikke kommer i klem i dører, gjerder eller lignende. Det kan føre til at laderen blir strømførende.
 - Ikke rengjør batteriladeren med vann.
 - Batteriladeren kan brukes av barn over 8 år og personer med nedsatte fysiske og mentale evner eller personer uten erfaring eller kunnskap hvis de får tilsyn eller instruksjoner om hvordan de bruker batteriladeren på en sikker måte, og forstår farene ved bruken. Barn skal ikke leke med batteriladeren. Rengjøring og vedlikehold skal ikke utføres av barn uten tilsyn.
 - Ikke lad engangsbatterier i batteriladeren.
 - Ikke bruk batteriladeren i nærheten av brennbare materialer eller materialer som kan forårsake korrosjon. Batteriladeren må ikke tildekkes. Trekk ut støpselet til batteriladeren hvis det oppstår røyk eller brann.
 - Ikke bruk en defekt eller skadet batterilader.
 - Bare lad batteriet innendørs på et sted som har god luftsirkulasjon og er beskyttet mot direkte sollys. Ikke lad batteriet i fuktige omgivelser.

Sikkerhetsinstruksjoner for vedlikehold



ADVARSEL: Les de følgende advarselinstruksjonene før du bruker produktet.

- Når du skal hindre utilsiktet start under vedlikehold, vrir du om tenningsnøkkelen til 0 og tar ut batteriet. Vent i minst 5 sekunder før du begynner vedlikeholdet.

- Utfør vedlikeholdsarbeidet på riktig måte for å øke levetiden til produktet og redusere risikoen for ulykker. La et godkjent serviceverksted utføre det fagmessige vedlikeholdet. Snakk med nærmeste serviceverksted for mer informasjon.
- Utfør bare vedlikeholdsarbeid som er beskrevet i denne bruksanvisningen. Mer omfattende inngrep skal utføres av et godkjent serviceverksted.
- Ta på kraftige hansker når du bruker skjæreutstyret. Kniven er svært skarp, og det er lett å kutte seg.
- Hold skjærekantene skarpe og rene for best og sikrest ytelse.
- La serviceverkstedet undersøke produktet regelmessig og utføre de nødvendige justeringene og reparasjonene.
- Skift ut alle skadde, slitte eller ødelagte deler.
- Følg instruksjonene for utskifting av tilbehør. Bruk bare tilbehør fra produsenten.
- Når de ikke er i bruk, oppbevarer du produktet, batteriet og batteriladeren fra hverandre i et tørt, innendørs og avlåst område. Kontroller at barn og personer som ikke er autoriserte, ikke kan få tilgang til produktet, batteriet eller batteriladeren.

Montering

Innledning



ADVARSEL: Før du monterer produktet, må du lese kapittelet om sikkerhet.

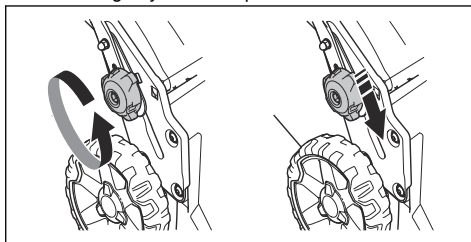


ADVARSEL: Når du skal hindre utilsiktet start ved montering, vrir du tenningsnøkkelen til 0, tar ut batteriet og venter i minst fem sekunder.

Slik justerer du håndtaket

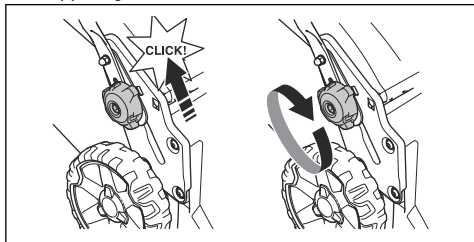
1. Løsne de nedre knottene.

2. Flytt knottene til den nedre enden av sporene på venstre og høyre side av produktet.



3. Angi høyden på håndtaket til én av de to tilgjengelige posisjonene.

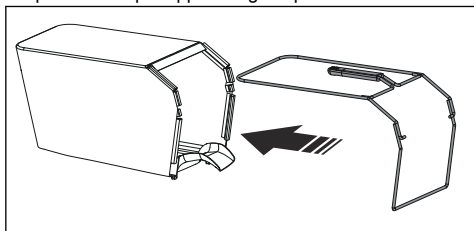
4. Flytt knottene oppover i retning av håndtaket til de stopper og du hører et klikk.



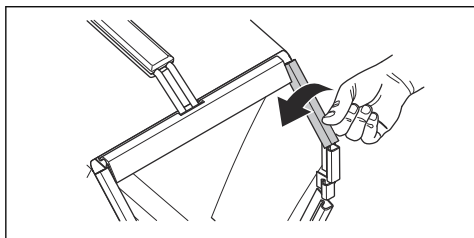
5. Trekk til knottene helt.

Slik monterer du oppsamleren

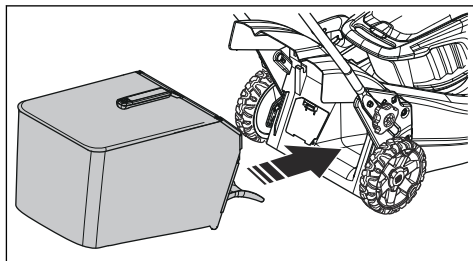
1. Fest oppsamlerammen til gressposen med den faste delen av posen på undersiden. Hold håndtaket på rammen på toppen av gressposen.



2. Fest nedre del av oppsamlerammen i sporet på bunnen av oppsamleren.
3. Fest gressposen til oppsamlerammen med klemmene.

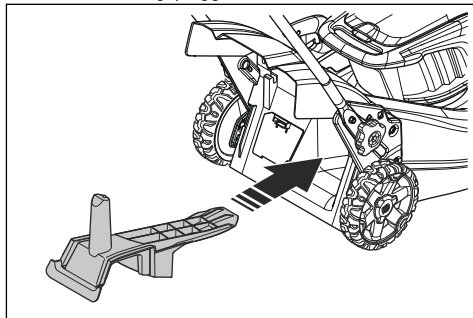


4. Løft det bakre dekselet.
5. Fest oppsamleren til den øverste kanten av chassiset.
6. Sett den nedre delen av oppsamleren inn i utkasterkanalen.



Slik monterer du finfordelingspluggen (tilbehør)

1. Løft opp det bakre dekselet, og ta av gressoppsamleren.
2. Sett finfordelingspluggen inn i utkasterkanalen.



3. Skift ut kniven med finfordelingskniven fra finfordelingssettet. Se *Ta av og skifte kniv på side 456*.

Drift

Innledning



ADVARSEL: Før du bruker produktet, må du lese og forstå kapittelet om sikkerhet.

Husqvarna Connect

Husqvarna Connect er en kostnadsfri app for mobilenheten din. Husqvarna Connect-appen gir utvidede funksjoner for Husqvarna-produktet ditt:

- utvidet produktinformasjon

- informasjon om og hjelp med produktdeleer og service

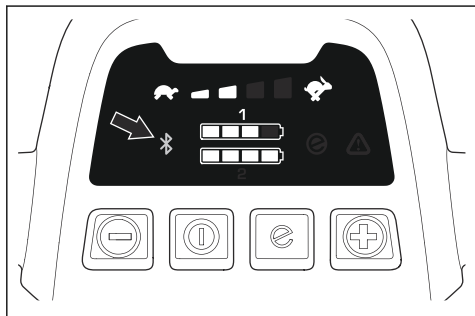
Slik begynner du å bruke Husqvarna Connect

1. Last ned Husqvarna Connect-appen på mobilenheten din.
2. Utfør registrering i Husqvarna Connect-appen.
3. Følg instruksjonene i Husqvarna Connect-appen for å koble til og registrere produktet.

Bluetooth®-informasjon (LC 247iX, LC 347iVX, LC 353iVX)

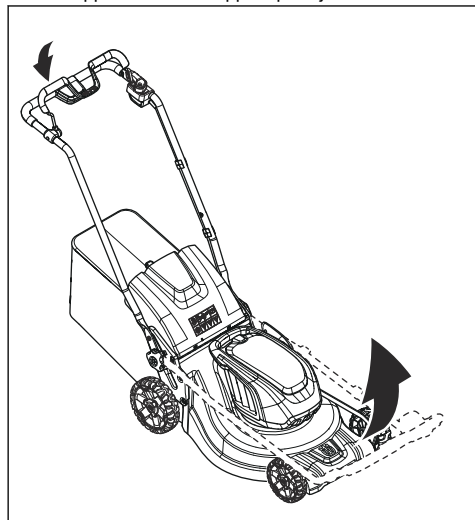
Trådløs Bluetooth®-teknologi

Symbolet for trådløs Bluetooth®-teknologi tennes når den mobile enheten kobles til produktet.

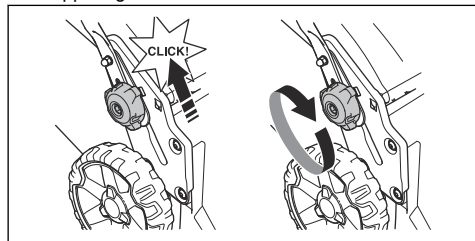


Slik setter du produktet i driftsstilling

1. Fell opp håndtaket til oppfelt posisjon.



2. Flytt knottene oppover i retning av håndtaket til de stopper og du hører et klikk.

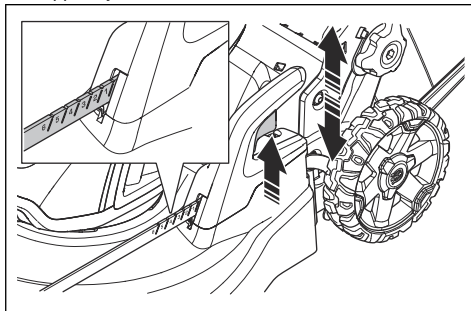


3. Trekk til knottene helt.

Slik regulerer du klippehøyden

Klippehøyden kan justeres i seks trinn.

1. Flytt spaken for klippehøyde nedover for å senke klippehøyden.
2. Flytt spaken for klippehøyde oppover for å heve klippehøyden.



OBS: Ikke sett klippehøyden for lavt.

Knivene kan treffe bakken hvis overflaten av plenen ikke er vannrett.

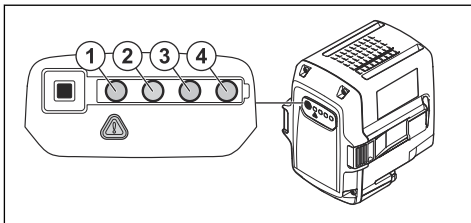
Batteri



ADVARSEL: Før du bruker batteriet, må du lese og forstå kapittelet om sikkerhet. Du må også lese og forstå bruksanvisningen for batteriet og batteriladere.

Batteristatus

Displayet viser gjenværende batterikapasitet og eventuelle problemer med batteriet. Batterikapasiteten vises i 5 sekunder etter at produktet er slått av, eller når batteriindikatorknappen trykkes inn. Advarselssymbolet på batteriet lyser hvis en feil oppstår. Se *Batteri på side 457*.



LED-lamper	Batteristatus
Alle LED-indikatorer lyser	Fullt ladet (75–100 %)
LED 1, LED 2, LED 3 lyser.	Batteriet er 50–75 % ladet.

LED-lamper	Batteristatus
LED 1, LED 2 lyser.	Batteriet er 25–50 % ladet.
LED 1 lyser.	Batteriet er 0–25 % ladet.
LED 1 blinker	Batteriet er utladet. Lad batteriet.

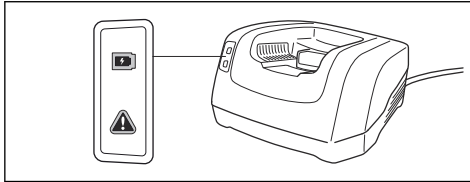
Slik lader du batteriet

Lad batteriet før første gangs bruk. Batteriet er bare 30 % oppladet når det leveres til kunden.

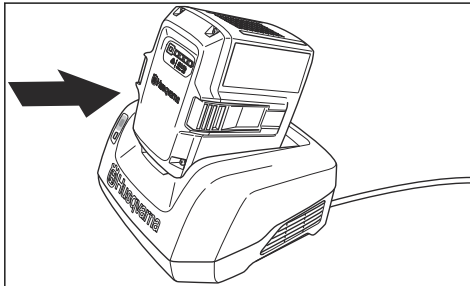
Merk: Batteriladeren må kobles til den spenningen og frekvensen som er angitt på typeskiltet.

Batteriet lades ikke hvis batteritemperaturen er over 50 °C. Batteriladeren reduserer batteriets temperatur før den begynner å lade.

1. Koble den ene enden av strømledningen for batteriladeren inn i kontakten på batteriladeren.
2. Koble den andre enden av strømledningen for batteriladeren inn i en jordet stikkontakt. LED-indikatoren på batteriladeren blinker grønt én gang.



3. Sett batteriet i batteriladeren. Den grønne lampen på laderen tennes når batteriet er riktig koblet til laderen.



4. Når alle LED-indikatorerne på batteriet lyser, er batteriet fulladet. Lad batteriet i maks. 24 timer.
5. For å koble laderen fra stikkkontakten må du dra i selve støpselet, ikke i ledningen.
6. Fjern batteriet fra batteriladeren.

Batteriladestatus

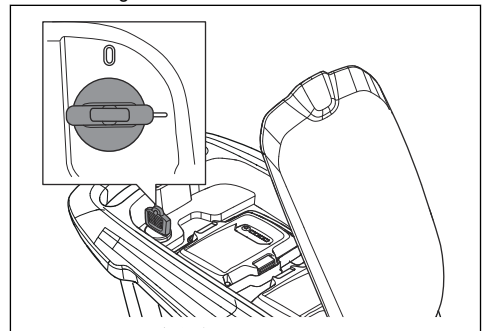
Et Husqvarna Li-ionbatteri kan lades eller brukes ved et hvilket som helst lade nivå. Batteriet blir ikke skadet. Et

fulladet batteris lade nivå reduseres ikke når batteriet blir stående i laderen.

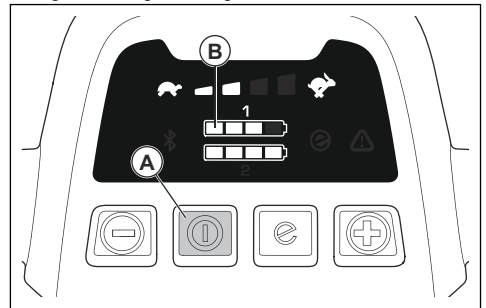
LED-display	Ladestatus
LED 1 blinker	0–25 %
LED 1 lyser, LED 2 blinker	25–50 %
LED 1, LED 2 lyser, LED 3 blinker	50–75 %
LED 1, LED 2, LED 3 lyser, LED 4 blinker	75–100 %
Lampe 1, lampe 2, lampe 3 og lampe 4 tennes	Fulladet

Slik starter du produktet

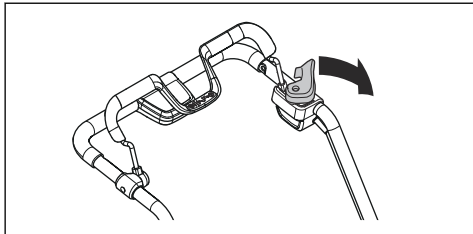
1. Åpne batterilokket.
2. Sett et oppladet batteri inn i en av batteriholderne. For å få lengre driftstid kan du sette et annet oppladet batteri inn i den andre batteriholderen.
3. Vri tenningsnøkkelen til 1.



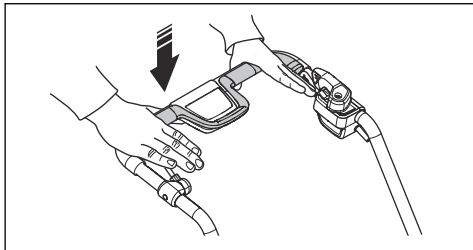
4. Stå bak produktet.
5. Trykk på PÅ/AV-knappen (A) på kontrollpanelet. Displayet slås på. Batteriindikatoren (B) viser batterinivået til de to batteriene. Nummeret på batteriet som er i bruk, vises ved siden av batteriindikatoren. For modellene LC 347iV, LC 347iVX, LC 353iV, LC 353iVX viser displayet også den angitte hastigheten.



6. Løsne startspærren.

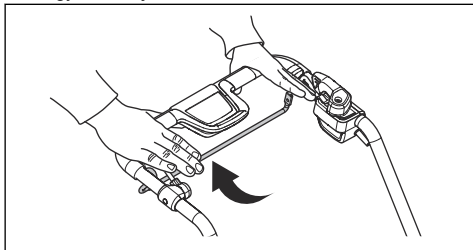


7. Trykk motorbrems håndtaket i retning av styret.

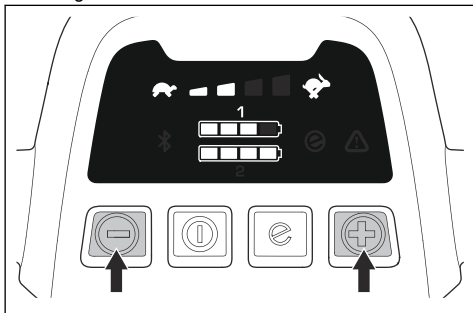


Slik brukes hjuldriften LC 347iV, LC 347iVX, LC 353iV, LC 353iVX

- Trekk sikkerhetsbøylen i retning av håndtaket for å begynner å kjøre.



- Trykk på + og - på kontrollpanelet for å angi hastigheten i fire trinn.

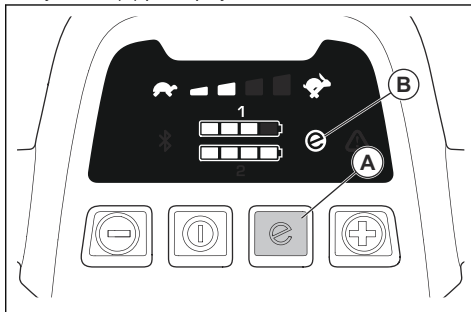


- Løsne sikkerhetsbøylen for å frakoble driften, for eksempel når du går nær en hindring.

Slik bruker du -funksjonen

Produktet har en batterisparefunksjon () som gir lengre driftstid.

1. Trykk på -knappen (A) for å starte funksjonen. -symbolet (B) på displayet tennes.
2. Trykk på -knappen igjen for å stoppe -funksjonen. -symbolet (B) på displayet slukkes.



-funksjonen stopper automatisk hvis bakkeforholdene gjør det nødvendig med høyere effekt. -funksjonen starter automatisk igjen når bakkeforholdene tillater det.

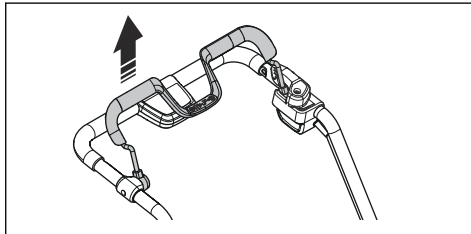
Høybelastningsfunksjon

Når produktet klipper langt eller vått gress, øker motoren automatisk turtallet. Motoren går tilbake til standardmodus når høy last ikke er nødvendig.

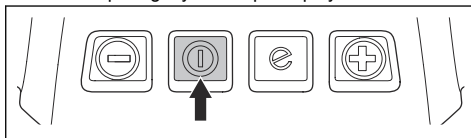
Slik stopper du produktet

Produktet stopper automatisk hvis du ikke bruker det på ti minutter. Vri alltid tenningsnøkkelen til 0 før du slipper produktet ute av syne.

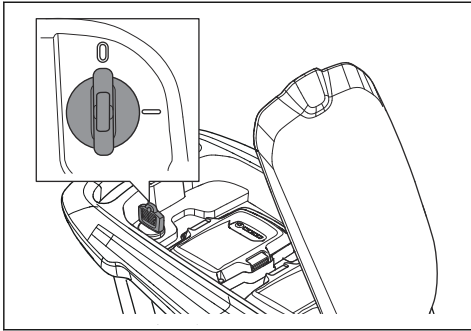
1. Slipp motorbrems håndtaket for å stoppe motoren.



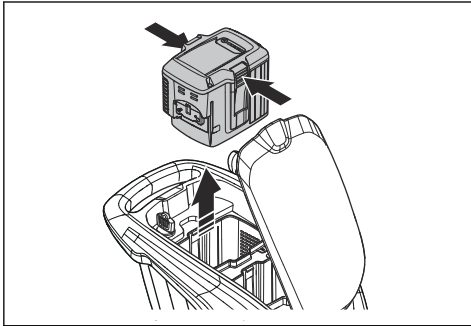
2. Trykk på PÅ/AV-knappen på kontrollpanelet. Alle LED-lamper og -symboler på displayet slukkes.



3. Åpne batteridekselet og vri tenningsnøkkelen til 0.



4. Når du skal ta ut batteriet, trykker du på de to utløserknappene og trekker ut batteriet.



5. Lad batteriet hvis nivået er lavt. Hvis du vil ha mer informasjon, kan du se *Slik lader du batteriet på side 453*.

Slik får du et godt resultat

- Bruk alltid en godt slipt kniv. En sløv kniv gir ujevnt resultat, og gressets klippeoverflate blir gul. En skarp kniv bruker også mindre energi enn en sløv kniv.
- Ikke klipp mer enn 1/3 av lengden på gresset. Klipp først med klippehøyden stilt høyt. Undersøk resultatet og senk klippehøyden til det aktuelle nivået. Hvis gresset er veldig langt, kjører du sakte og klipper to ganger om nødvendig.
- Klipp i forskjellige retninger hver gang, for å unngå striper i plenen.

Slik klipper du gresset uten oppsamleren eller finfordelingspluggen festet

- Løft opp det bakre dekselet, og ta av gressoppsamleren.
- Hvis en finfordelingsplugg og en finfordelingskniv er festet, tar du dem av.
- Lukk bakdekselet før du bruker produktet.

Når du bruker produktet, tømmes det klipte gresset under bakdekselet.

Vedlikehold

Innledning



ADVARSEL: Før du utfører vedlikeholdsarbeid, må du lese og forstå kapittelet om sikkerhet.

For alt vedlikehold og reparasjonsarbeid på produktet er det nødvendig med spesiell opplæring. Vi garanterer fagmessig reparasjon og service. Hvis forhandleren ikke

er et serviceverksted, må du snakke med dem for å få informasjon om nærmeste serviceverksted.

Vedlikeholdsskjema

Vedlikeholdsintervallene er beregnet med utgangspunkt i daglig bruk av produktet. Intervallene kan endres hvis produktet ikke brukes daglig.

For vedlikehold merket med * kan du se instruksjonene i *Sikkerhetsinstruksjoner for drift på side 446*.

	Hver bruk	Månedlig	Hver sesong
Utfør en generell inspeksjon.	X		
Rengjør produktet.	X		
Kontroller startsperrin*.	X		
Pass på at sikkerhetsutstyret på produktet ikke er defekt*.	X		
Kontroller skjærestyret.	X		
Kontroller klippedekselet*.	X		

	Hver bruk	Månedlig	Hver sesong
Kontroller motorbrems håndtaket*.	X		
Kontroller at PÅ/AV-knappen fungerer på riktig måte og ikke er defekt.	X		
Kontroller batteriet for skader.	X		
Kontroller batteriets ladenivå.	X		
Kontroller at utløserknappene på batteriet fungerer riktig og at batteriet låses fast i produktet.	X		
Undersøk batteriladeren for skader, og sørg for at den kan fungerer på riktig måte.		X	
Undersøk forbindelsene mellom batteriet og produktet. Undersøk også forbindelsen mellom batteriet og batteriladeren.			X

Slik utfører du en generell inspeksjon

- Kontroller at mutrene og skruene på produktet er trukket til.
- Sørg for at kablene på produktet ikke er i en posisjon der de kan bli skadet.

Slik rengjør du produktet

- Rengjør plastdeler med en tørr, ren klut.
- Ikke bruk vann til å rengjøre produktet. Vann kan komme inn i batteriet eller motoren og forårsake kortslutning eller skade på produktet.
- Produktet må ikke rengjøres med høytrykksspyler.
- Ikke spyl vann direkte på motoren.
- Bruk en børste for å fjerne løv, gress og smuss.

Slik rengjør du batteriet og batteriladeren



OBS: Ikke rengjør batteriet eller batteriladeren med vann.

- Kontroller at batteriet og batteriladeren er rene og tørre før du setter batteriet i batteriladeren.
- Rengjør batteriklemmene med trykkluft, eller bruk en myk og tørr klut.
- Rengjør overflatene på batteriet og batteriladeren med en myk og tørr klut.

Slik kontrollerer du skjærestyret



ADVARSEL: Når du skal hindre utilsiktet start, vrir du tenningsnøkkelen til 0, tar ut batteriet og venter i minst fem sekunder.



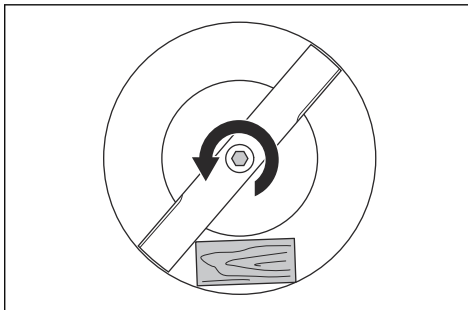
ADVARSEL: Bruk vernehansker når du utfører vedlikehold på skjærestyret. Kniven er svært skarp, og det er lett å kutte seg.

1. Kontroller skjærestyret med henblikk på skader og sprekkdannelse. Bytt alltid ut skadet skjærestyr.
2. Sjekk om kniven er skadet eller sløv.

Merk: Kniven må balanseres etter at den er slipt. La et servicesenter slippe, skifte og balansere kniven. Hvis du treffer en hindring som fører til at produktet stopper, må du skifte ut den skadde kniven. La serviceverkstedet vurdere om kniven kan slipes eller om den må skiftes ut.

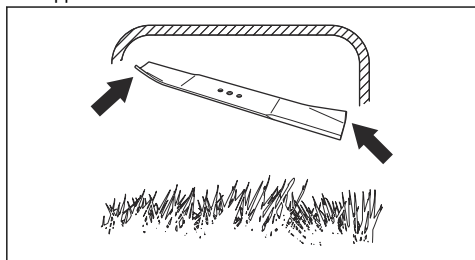
Ta av og skifte kniv

1. Lås kniven med en trekloss.

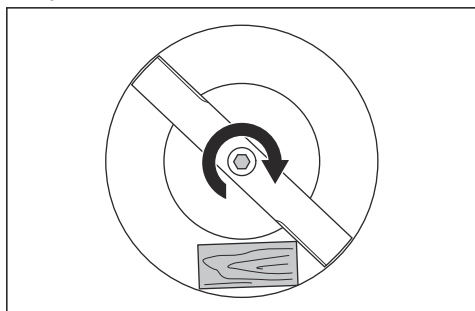


2. Fjern knivbolten.
3. Fjern kniven.
4. Undersøk knivstøtten og knivbolten for å se om det finnes skader.
5. Undersøk motorakselen for å forsikre deg om at den ikke er bøyd.

6. Når du fester den nye kniven, må du peke de vinklede endene av kniven i retning av klippedekselet.



7. Kontroller at kniven er innrettet med midten av motorakselen.
8. Lås kniven med en trekloss. Fest sprengskiven, og trekk til bolten og skiven med et moment på 23–28 Nm.



9. Trekk kniven rundt for hånd for å kontrollere at den roterer fritt.



ADVARSEL: Bruk kraftige arbeidshansker. Kniven er svært skarp, og det er lett å kutte seg.

10. Start produktet for å teste kniven. Hvis kniven ikke er riktig tilkoblet, vil produktet vibrere, eller klipperesultatet vil ikke bli bra nok.

Feilsøking

Batteri

LED-indikator på batteriet	Mulige feil	Mulig fremgangsmåte
Den grønne LED-indikatoren blinker.	Batterispenningen er lav.	Lad batteriet. Se <i>Slik lader du batteriet på side 453</i> .
LED-feilindikatoren blinker.	Batteriet er svakt.	Lad batteriet. Se <i>Batteri på side 457</i> .
	Temperaturen i arbeidsmiljøet er for høy eller for lav.	Bruk batteriet i temperaturer mellom –10 og 40 °C.
	Overspenning	Kontroller at strømtilførselen er den samme som er angitt på typeskiltet på produktet. Fjern batteriet fra batteriladeren. Vent i fem sekunder, og prøv å lade batteriet igjen. Hvis problemet vedvarer, kontakter du et autorisert serviceverksted.
LED-feilindikatoren er på.	For stor forskjell mellom cellene (1 V).	Ta kontakt med et godkjent serviceverksted.

Batterilader

LED-indikator på batteriladeren.	Mulige feil	Mulig fremgangsmåte
LED-feilindikatoren blinker.	Temperaturen i arbeidsmiljøet er for høy eller for lav.	Bruk batteriladeren i temperaturer mellom 5 og 40 °C.
LED-feilindikatoren er på.		Ta kontakt med et godkjent serviceverksted.

Kontrollpanel

Tastatur	Feilkode (antall lysblink)	Mulige feil	Mulig handling
LED-feillampen blinker.	3	Motoren er overbelastet.	Øk klippehøyden. Se <i>Slik regulerer du klippehøyden på side 452</i> .
	5	Motorturtallet faller for mye, og motoren stopper.	
	10	Motorstyringen er for varm.	Stopp motoren, og vent til den er avkjølt.
	2	Kniven er blokkert.	Når du skal hindre utilsiktet start, vrir du tenningsnøkkelen til 0, tar ut batteriet og venter i minst fem sekunder. Pass på at kniven kan rotere fritt. Hvis problemet vedvarer, kontakter du et autorisert serviceverksted.
	9	Batterifeil eller ingen signaler fra batteriet	Sett batteriet inn i produktet på riktig måte, og undersøk batterikontakten. Hvis LED-feillampen på batteriet blinker, kan du se <i>Batteri på side 452</i> .
Produktet stopper.	8	Batteriet er svakt.	Lad batteriet. Se <i>Slik lader du batteriet på side 453</i> .
	0	Batterikontaktfeil	Undersøk batterikontakten.
Andre feil	Hvis det oppstår andre feil, må du vri tenningsnøkkelen til 0, ta ut batteriet, og ta kontakt med et godkjent serviceverksted.		

Transport, oppbevaring og avhending

Innledning

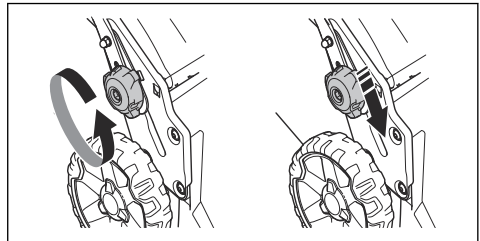


ADVARSEL: Når du skal hindre utilsiktet start ved transport, vrir du tenningsnøkkelen til 0, tar ut batteriet og venter i minst fem sekunder.

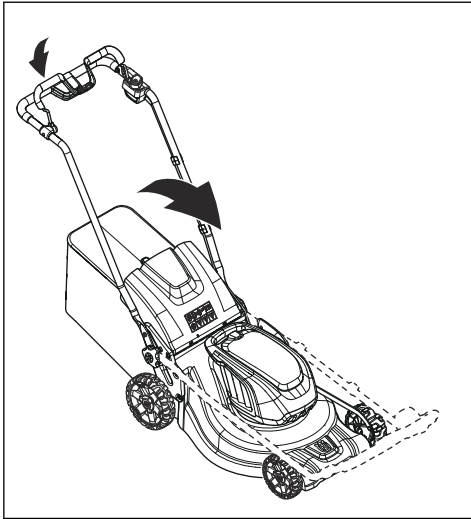
Slik setter du produktet i transportstilling

1. Løsne de nedre knottene.

2. Flytt knottene til den nedre enden av sporene på venstre og høyre side av produktet.



3. Vipp styret forover.



4. Tøm oppsamleren.

Transport

- Loven om farlige varer gjelder de medfølgende Li-ion-batteriene.
- For kommersiell transport må spesielle krav på emballasje og etiketter følges.
- Sørg for at du overholder lovene om farlig materiale når du klargjør produktet for transport. Lokale forskrifter kan gjelde.
- Ta alltid ut batteriet før transport.
- Sett teip på batterikontaktene, og forsikre deg om at batteriet ikke kan bevege seg rundt under transport.
- Sikre produktet under transport.

Lagring

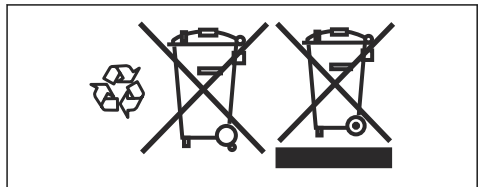
- Ta alltid ut batteriet når du skal oppbevare produktet.
- For å hindre ulykker må du sikre at batteriet ikke er koblet til produktet under oppbevaring.

- Oppbevar batteriladeren på et innelukket og tørt sted.
- Hold batteriet og laderen på et tørt sted der det ikke er fukt eller frost.
- Koble batteriet fra batteriladeren under oppbevaring.
- Batteriet må ikke oppbevares der det kan forekomme statisk elektrisitet. Ikke oppbevar batteriet i en metallkasse.
- Oppbevar batteriet et sted temperaturen er mellom 5 og 25 °C og borte fra sollys.
- Oppbevar batteriladeren et sted temperaturen er mellom 5 og 45 °C og borte fra sollys.
- Kontroller at batteriet er ladet til 30–50 % før du setter det til oppbevaring i lange perioder.
- Oppbevar produktet, batteriet og batteriladeren i et låsbart område, utilgjengelige for barn og uautoriserte personer.
- Rengjør produktet og utfør en fullstendig service før du setter det til oppbevaring i lang tid.

Avhending

Symbolene på produktet eller produktemballasjen indikerer at produktet ikke skal håndteres som husholdningsavfall. Produktet skal innleveres til et gjenvinningsanlegg som gjenvinner elektrisk og elektronisk utstyr.

Ved å sikre at produktet håndteres på riktig måte, kan du bidra til å motvirke potensielt negative virkninger på miljø og mennesker, som kan oppstå som følge av at produktet ikke avfallshåndteres på riktig måte. Kontakt det lokale renovasjonsvesenet eller forhandleren der du kjøpte produktet hvis du ønsker mer detaljert informasjon.



Tekniske data

Tekniske data

	LC 247IX/LC 247I	LC 347IVX/LC 347IV	LC 353IVX/LC 353IV
Klippemotor			
Motortype	BLDC (børsteløs) 36 V	BLDC (børsteløs) 36 V	BLDC (børsteløs) 36 V
Motorhastighet – SavE, turtall	2600	2600	2600
Motorhastighet – nominell, turtall	3000	3000	3000
Motorhastighet – høybelastning, turtall	3500	3500	3500

	LC 247iX/LC 247i	LC 347iVX/LC 347iV	LC 353iVX/LC 353iV
Motoreffekt – maks. kW	0,96	0,96	1,05
Motoreffekt – nominell, kW	0,75	0,75	0,9
Drivmotor			
Motoreffekt – nominell, kW	Ikke tilgjengelig	0,25	0,25
Selvgående hastighet, km/t	Ikke tilgjengelig	3,0–4,5	3,0–4,5
Nivåer for hastighetsjustering	Ikke tilgjengelig	4	4
Vekt			
Vekt uten batteri, kg	24	26	28
Batteri			
Batteritype	Husqvarna-batterise- rien	Husqvarna-batterise- rien	Husqvarna-batterise- rien
Batteriets driftstid			
Batteriets driftstid, min., (frikjøring) med Sa- vE aktivert, med ett Husqvarna 5,2 Ah-batteri (Bli200)	43	43	32
Batteriets driftstid, min., (frikjøring) med stan- dardmodus aktivert, med ett Husqvarna 5,2 Ah-batteri (Bli200).	30	30	20
Støyutslipp ⁵²			
Lydeffektnivå, mål dB (A)	94	94	97
Lydeffektnivå, garantert L _{WA} dB (A)	95	95	98
Lydnivåer ⁵³			
Lydtrykknivå ved brukerens øre, dB (A)	82	82	86
Vibrasjonsnivåer ⁵⁴			
Håndtak, m/s ²	0,42	0,42	2,64
Skjæreutstyr			
Klippehøyde, mm	20–75 mm	20–75 mm	20–75 mm
Klippebredde, cm	47	47	53
Kniv, standard	Oppsamling 5905934-10	Oppsamling 5905934-10	Oppsamling 5940757-10
Knivtilbehør	Mulch 5907010-10	Mulch 5907010-10	Mulch 5950072-10
Gressoppsamlerkapasitet, liter	55	55	60

⁵² Utslipp av støy til omgivelsene målt som lydeffekt (L_{WA}) samsvarer med EF-direktiv 2000/14/EF.

⁵³ Rapporterte data for ekvivalent lydtrykknivå for maskinen har en typisk statistisk spredning (standardavvik) på 1,2 dB (A).

⁵⁴ Rapporterte data for vibrasjonsnivå har en typisk statistisk spredning (standard avvik) på 0,2 m/s². Vibrasjonsstandard EN 60335-2-77:2017 kapittel 20.105

Informasjon om radiofrekvens for Bluetooth®	LC 247IX	LC 347IVX	LC 353IVX
Frekvensbånd, GHz	2,4–2,4835	2,4–2,4835	2,4–2,4835
Utgangseffekt, maks. dBm	4	4	4

Godkjente batterier	Type	Batterikapasitet, Ah	Spenning, V	Vekt, lb/kg
BLi20	Litium-ion	4,0	36	2,6/1,2
BLi30	Litium-ion	7,7	36	4,2/1,9
BLi200	Litium-ion	5,2	36	2,8/1,3
BLi300	Litium-ion	9,4	36	4,1/1,9

Godkjente ladere for de spesifiserte batteriene, BLi	Inngangsspenning, V	Frekvens, Hz	Effekt, W
QC80	100–240	50–60	80
QC80F	12	0	80
QC250	100–240	50–60	250
QC330	100–240	50–60	330
QC500	100–240	50–60	500

EF-samsvarserklæring

EF-samsvarserklæring

samsvarsvurdering i henhold til Tillegg VI i direktivet 2000/14/EF.

Husqvarna, 2020-04-22

Husqvarna AB, SE-561 82 Huskvarna, Sverige, tlf.: + 46 36 146500, erklærer at **gressklipperen Husqvarna LC 247i, LC 247iX, LC 347iV, LC 347iVX, LC 353iV, LC 353iVX** fra 2018 og fremover samsvarer med kravene i følgende RÅDSDIREKTIV:

- fra 8. juni 2011 på «begrense bruken av bestemte farlige stoffer» **2011/65/EU**
- fra 17. mai 2006, «angående maskiner» **2006/42/EF**
- fra 8. mai 2000 «angående utslipp av støy til omgivelsene» **2000/14/EF**

For informasjon som gjelder støyutslipp, kan du se *Tekniske data på side 459*.

Følgende standarder er blitt brukt:

EN/IEC 60335-1, EN/IEC 60335-2-77, EN/IEC 62233, EN 55014-1, EN ETSI 301 489-7 v1.3.1, EN 61000-6, ETSI EN 61000-6-1, EN 300 328 BT low energy Tx/Rx, EN 50581

Hvis ikke annet er angitt, er de ovenfor oppgitte standarder de nyeste publiserte versjonene.

Kontrollorgan: **0404, RISE SMP Svensk Maskinprovning AB, Box 7035, SE-750 07 Uppsala** Har utført



Claes Losdal, Development Manager/hageprodukter (autorisert representant for Husqvarna AB og ansvarlig for teknisk dokumentasjon)

Registrerte varemerker

Bluetooth[®]-ordmerket og -logoene er registrerte varemerker for *Bluetooth SIG, inc.*, og bruk av slike merker fra Husqvarna skjer under lisens.

SPIS TREŚCI

Wstęp.....	463	Rozwiązywanie problemów.....	484
Bezpieczeństwo.....	467	Transport, przechowywanie i utylizacja.....	485
Montaż.....	476	Dane techniczne.....	486
Przeznaczenie.....	477	Deklaracja zgodności WE.....	489
Przegląd.....	482	Zarejestrowane znaki handlowe.....	489

Wstęp

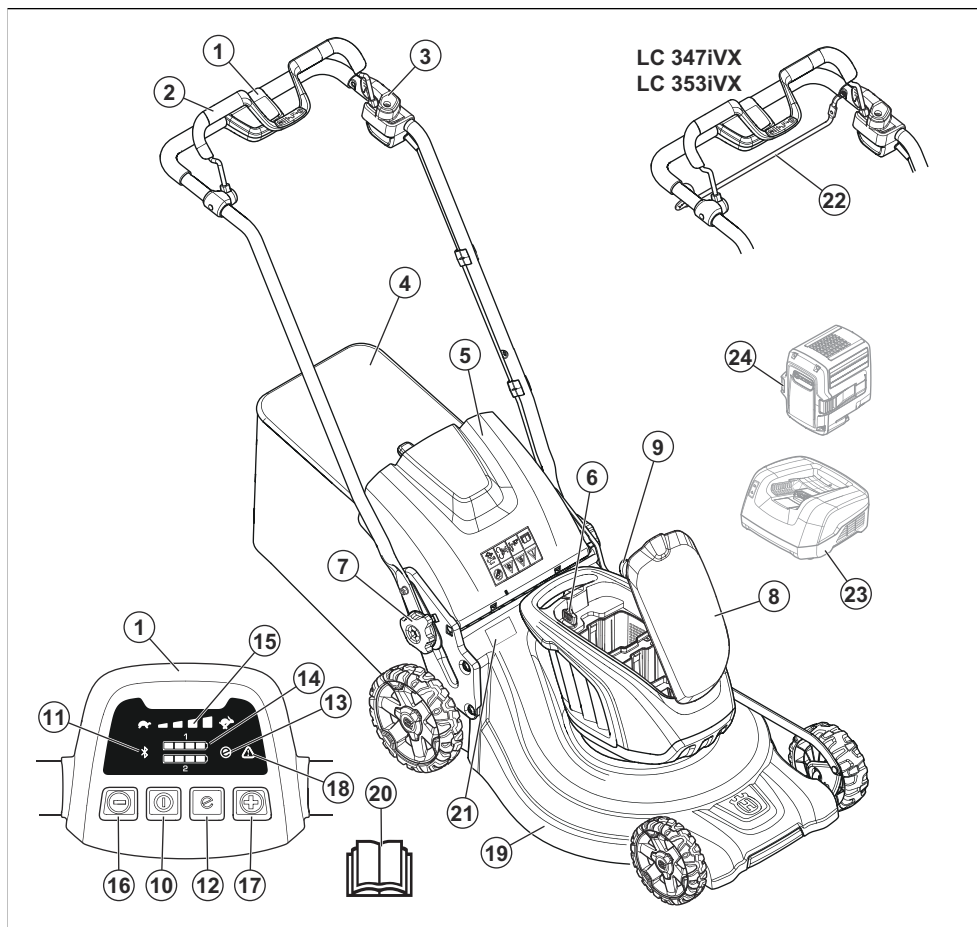
Opis produktu

Produkt jest rotacyjną kosiarką obsługiwaną przez operatora. Trawa zbierana jest do pojemnika na trawę. Zdjąć pojemnik na trawę, aby usunąć z niego trawę przez tylny otwór wylotowy. Zamontować zestaw mulczujący (akcesorium), aby pociąć trawę na nawóz.

Przeznaczenie

Produkt służy fo cięcia trawy. Nie używać produktu do innych zadań.

Przegląd produktu



1. Panel sterowania
2. Uchwyt hamulca silnika
3. Opóźniacz rozruchu
4. Pojemnik na trawę
5. Pokrywa tylna
6. Kluczyk bezpieczeństwa
7. Pokrętko uchwytu
8. Pokrywa akumulatora
9. Regulator wysokości koszenia
10. Przycisk wł./wyt.
11. Wskaźnik bezprzewodowej technologii *Bluetooth*[®]
12. Przycisk Save
13. Wskaźnik Save
14. Wskaźnik akumulatora
15. Wskaźnik poziomu prędkości (LC 347iV, LC 347iVX, LC 353iV, LC 353iVX)
16. Przycisk zmniejszania prędkości (LC 347iV, LC 347iVX, LC 353iV, LC 353iVX)
17. Przycisk zwiększania prędkości (LC 347iV, LC 347iVX, LC 353iV, LC 353iVX)
18. Dioda LED błędów
19. Osłona modułu tnącego
20. Instrukcja obsługi
21. Tabliczka znamionowa
22. Dźwignia napędu (LC 347iV, LC 347iVX, LC 353iV, LC 353iVX)
23. Ładowarka akumulatora (akcesorium)
24. Akumulator (akcesorium)

Symbole znajdujące się na produkcie



OSTRZEŻENIE! Należy zachować ostrożność i prawidłowo korzystać z produktu. Produkt może spowodować poważne obrażenia ciała lub śmierć operatora lub innych osób.



Przed przystąpieniem do pracy należy dokładnie i ze zrozumieniem zapoznać się z treścią niniejszej instrukcji obsługi.



Ludzie i zwierzęta powinny przebywać w bezpiecznej odległości od obszaru roboczego.



Należy uważać na odrzucane i rykoszetujące przedmioty.



Ostrzeżenie: Ręce i stopy należy trzymać z dala od obracającego się ostrza.



Ostrzeżenie: Nie zbliżać dłoni i stóp do części obrotowych.



Przed rozpoczęciem czynności naprawczych lub konserwacyjnych należy wyjąć kluczyk bezpieczeństwa.



Chronić przed deszczem.



Tego produktu ani opakowania nie można traktować jako odpady domowe. Należy poddawać je recyklingowi w zatwierdzonym punkcie zbiórki sprzętu elektrycznego i elektronicznego.



Produkt jest zgodny z odpowiednimi Dyrektywami WE.



Produkt jest zgodny z odpowiednimi dyrektywami Euroazjatyckiej Unii Celnej.



Produkt jest zgodny z odpowiednimi dyrektywami UkrSEPRO.



Produkt jest zgodny z odpowiednimi dyrektywami RCM. Dotyczy wyłącznie AU/NZ



Emisję hałasu do środowiska zgodnie z dyrektywą europejską 2000/14/EC i przepisami Nowej Południowej Walii „Protection of the Environment Operations (Noise Control) Regulation 2017”. Dane dotyczące emisji hałasu można znaleźć na etykiecie maszyny oraz w rozdziale „Dane techniczne”.

IPX1 Produkt jest zabezpieczony przed przeciekaniem.



Procedura uruchamiania dla modelu LC 141VLi/LC 141Li: nacisnąć przycisk WYŁ./WYŁ., poluzować opóźniacz rozruchu i popchnąć dźwignię hamulca silnika w dół.



Zwolnić uchwyt hamulca silnika, aby zatrzymać.



Wolno



Prędko



Kod do przeskanowania

Uwaga: Pozostałe symbole/naklejki samoprzylepne umieszczone na produkcie dotyczą wymogów związanych z certyfikatami w niektórych krajach.

Etykieta znajdująca się na produkcie



Ręce i stopy należy trzymać z dala od obracających się ostrzy.

Odpowiedzialność za produkt

Zgodnie z przepisami dotyczącymi odpowiedzialności za produkt nie ponosimy odpowiedzialności za szkody spowodowane przez nasz produkt, jeśli:

- produkt jest nieprawidłowo naprawiany.
- produkt jest naprawiany przy użyciu części niepochodzących od producenta lub niezatwierdzonych przez producenta.

- produkt jest wyposażony w akcesoria niepochodzące od producenta lub niezatwierdzone przez producenta.
- produkt nie jest naprawiany w autoryzowanym centrum serwisowym lub przez autoryzowaną placówkę.

Bezpieczeństwo

Definicje dotyczące bezpieczeństwa

Ostrzeżenia, uwagi i informacje są używane do zwrócenia uwagi na szczególnie ważne sekcje instrukcji obsługi.



OSTRZEŻENIE: Stosuje się, gdy istnieje ryzyko poważnych obrażeń lub śmierci operatora albo osób postronnych w wyniku nieprzestrzegania instrukcji obsługi.



UWAGA: Stosuje się, gdy istnieje ryzyko uszkodzenia produktu, innych materiałów lub otoczenia w wyniku nieprzestrzegania instrukcji obsługi.

Uwaga: stosuje się, aby przekazać więcej informacji, które są przydatne w danej sytuacji.

Ogólne zasady bezpieczeństwa



OSTRZEŻENIE: Przed rozpoczęciem użytkowania produktu przeczytać następujące ostrzeżenia.

- Produkt ten może być niebezpieczny w przypadku jego nieprawidłowego użytkowania i niezachowania ostrożności. Nieprzestrzeganie instrukcji bezpieczeństwa może spowodować obrażenia ciała lub śmierć.
- Podczas pracy urządzenie wytwarza pole elektromagnetyczne. W pewnych okolicznościach pole to może zakłócać pracę aktywnych lub pasywnych implantów medycznych. Przed użyciem tego produktu osoby z wszczepionym implantem medycznym powinny skonsultować się z lekarzem i producentem implantu w celu ograniczenia ryzyka

- poważnych lub śmiertelnych obrażeń.
- Zawsze zachowywać ostrożność i kierować się zdrowym rozsądkiem. Jeśli nie ma pewności, w jaki sposób należy obsługiwać ten produkt w konkretnej sytuacji, przed wznowieniem pracy należy porozmawiać z dealerem Husqvarna.
 - Pamiętać o tym, że operator ponosi odpowiedzialność za wypadki z udziałem innych ludzi i ich własności.
 - Utrzymywać produkt czystym. Upewnić się, że można łatwo odczytać oznaczenia i naklejki.
 - Nie wolno pozwalać dzieciom ani osobom, które nie zapoznały się z niniejszymi instrukcjami obsługi, na obsługiwanie urządzenia. Przepisy prawa lokalnego mogą narzucić ograniczenia dotyczące wieku operatora urządzenia
 - Należy zawsze kontrolować osobę o ograniczonych możliwościach fizycznych lub umysłowych podczas używania produktu. Zawsze musi jej towarzyszyć odpowiedzialna osoba dorosła.

- Osoba, która jest zmęczona, chora lub pod wpływem alkoholu, narkotyków lub leków nie może obsługiwać urządzenia. Stany te mają negatywny wpływ na wzrok, uwagę, koordynację i osąd.
- Nie stosować uszkodzonego produktu.
- Nie wolno dokonywać w maszynie zmian stanowiących modyfikację jej oryginalnej wersji. Nie używać maszyny, jeżeli istnieje podejrzenie, że ktoś inny wprowadził w niej zmiany.

Bezpieczeństwo miejsca pracy



OSTRZEŻENIE: Przed rozpoczęciem użytkowania produktu przeczytać następujące ostrzeżenia.

- Usunąć objekty, takie jak gałęzie, gałązki i kamienie z obszaru roboczego przed rozpoczęciem korzystania z maszyny.
- Objekty, które zderzają się z elementami tnącymi, mogą zostać wyrzucone i spowodować obrażenia osób i uszkodzenia przedmiotów. Osoby znajdujące się w pobliżu i zwierzęta powinny

zachować bezpieczną odległość od maszyny.

- Nigdy nie należy używać produktu w niesprzyjających warunkach np. we mgle, w deszczu, przy silnym wietrze, na silnym mrozie, gdy występuje ryzyko wyładowań atmosferycznych. Korzystanie z maszyny w niesprzyjających warunkach lub w wilgotnych czy mokrych lokalizacjach jest męczące. Niesprzyjające warunki pogodowe mogą stworzyć niebezpieczne warunki, takie jak śliskie powierzchnie.
- Należy uważać na osoby, przedmioty i sytuacje, które mogą uniemożliwić bezpieczną obsługę maszyny.
- Należy zwracać uwagę na przeszkody, takie jak korzenie, kamienie, gałązki, dziury i doły. Wysoka trawa może zasłaniać przeszkody.
- Koszenie trawy na pochyłościach może być niebezpieczne. Nie kosić trawy na bardzo stromych zboczach. Nie należy używać maszyny na pochyłościach terenu przekraczających 15°.
- Zachować szczególną ostrożność podczas zmiany kierunku jazdy na zboczach.

Należy używać maszyny, prowadząc ją w poprzek zbocza. Nie należy jeździć w górę i w dół zbocza.

- Zachować ostrożność podczas zbliżania się do narożników lub innych obiektów, które mogą ograniczać widoczność.

Pracuj bezpiecznie



OSTRZEŻENIE: Przed rozpoczęciem użytkowania produktu przeczytać następujące ostrzeżenia.

- Używać maszyny wyłącznie do przycinania trawników. Nie jest dozwolone wykorzystanie maszyny do innych zadań.
- Stosować środki ochrony osobistej. Patrz *Środki ochrony osobistej na stronie 471*.
- Należy zawsze wiedzieć, jak szybko wyłączyć silnik w razie awarii.
- Nie używać urządzenia podczas deszczu ani w wilgotnym otoczeniu. Dostanie się wody do wnętrza urządzenia zwiększa ryzyko porażenia prądem.
- Nie należy obsługiwać maszyny, jeśli ostrze oraz wszystkie pokrywy nie zostały

prawidłowo zamocowane.

Nieprawidłowo zamocowane ostrze może się obluźwiać i spowodować obrażenia.

- Należy upewnić się, że ostrze nie uderza w żadne obiekty, takie jak kamienie czy korzenie. Może to spowodować uszkodzenie ostrza oraz wygięcie wału silnika. Zgięta oś powoduje silne wibracje oraz bardzo wysokie zagrożenie obluźwaniem ostrza.
- Jeśli ostrze uderzy w jakikolwiek obiekt lub jeśli wystąpią wibracje, należy natychmiast wyłączyć maszynę. Wyłącz silnik, przekręć kluczyk bezpieczeństwa do położenia „0” i wyjmij akumulator. Należy sprawdzić maszynę pod kątem uszkodzeń. Należy naprawić uszkodzenia lub zlecić przeprowadzenie naprawy przez autoryzowany punkt serwisowy.
- Nigdy nie należy na stałe przymocowywać uchwytu hamulca silnikowego do uchwytu podczas pracy silnika.
- Maszynę należy ustawić na stabilnej, płaskiej powierzchni i ją uruchomić. Należy upewnić

się, że ostrza nie uderzają w podłoże lub inne przedmioty.

- Podczas obsługi maszyny zawsze należy stać za nią.
- Podczas obsługi maszyny należy upewnić się, że wszystkie koła dotykają podłoża oraz trzymać na kierownicy obie dłonie. Ręce i stopy należy trzymać z dala od obracających się noży.
- Nie przechylać produktu, kiedy uruchomiony jest silnik.
- Należy zachować ostrożność podczas ciągnięcia maszyny do tyłu.
- Nigdy nie należy podnosić maszyny przy włączonym silniku. Jeśli konieczne jest podniesienie urządzenia, należy najpierw wyłączyć silnik, przekręcić kluczyk bezpieczeństwa do położenia „0” i wyjąć akumulator.
- Nie należy poruszać się do tyłu podczas obsługi maszyny.
- Podczas poruszania się po obszarach bez trawy, na przykład po żwirowych, kamiennych lub asfaltowych ścieżkach, należy wyłączyć silnik.
- Nie należy biegać z maszyną przy włączonym silniku. Podczas obsługi maszyny

zawsze należy poruszać się chodem.

- Przed zmianą wysokości koszenia należy wyłączyć silnik. Nigdy nie należy wykonywać regulacji przy uruchomionym silniku.
- Nigdy nie należy pozostawiać maszyny poza zasięgiem wzroku przy włączonym silniku. Należy wyłączyć silnik i upewnić się, że narzędzia tnące nie obracają się.

Instrukcje bezpieczeństwa dotyczące obsługi

Środki ochrony osobistej



OSTRZEŻENIE: Przed rozpoczęciem użytkowania produktu przeczytać następujące ostrzeżenia.

- Środki ochrony osobistej nie eliminują całkowicie ryzyka odniesienia obrażeń, natomiast ograniczają ich rozmiar w razie zaistnienia wypadku. Skorzystać z pomocy dealera przy wyborze odpowiedniego sprzętu.
- Należy używać mocnego, przeciwpoślizgowego obuwia ochronnego lub obuwia roboczego. Nie należy używać

otwartego obuwia lub chodzić boso.

- Stosować wytrzymałe, długie spodnie.
- W razie potrzeby, na przykład podczas mocowania, badania czy czyszczenia narzędzi tnących, stosować rękawice ochronne.

Zespoły zabezpieczające na urządzeniu



OSTRZEŻENIE: Przed rozpoczęciem użytkowania produktu przeczytać następujące ostrzeżenia.

- Nie należy używać maszyny z uszkodzonymi urządzeniami zabezpieczającymi.
- Regularnie przeprowadzać kontrole urządzeń zabezpieczających. Jeśli urządzenia zabezpieczające są uszkodzone, skontaktować się z warsztatem obsługi technicznej Husqvarna.

Sprawdzanie osłony modułu tnącego

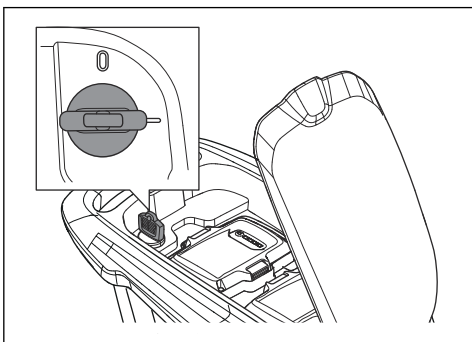
Osłona modułu tnącego ogranicza drgania urządzenia i obniża ryzyko odniesienia obrażeń od ostrza.

- Zbadać osłonę modułu tnącego, aby upewnić się, że nie nosi ona znamion uszkodzenia, takich jak pęknięcia.

Kluczyk bezpieczeństwa

Kluczyk bezpieczeństwa znajduje się pod pokrywą akumulatora. Kluczyk bezpieczeństwa służy do podłączenia akumulatora, który zasila silnik.

- Uruchomić i wyłączyć silnik, aby przeprowadzić kontrolę kluczyka bezpieczeństwa.
- Jeżeli kluczyk bezpieczeństwa działa prawidłowo, silnik uruchomi się tylko po przekręceniu kluczyka w położenie 1.

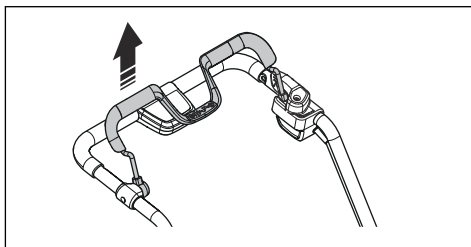


Uchwyt hamulca silnika

Uchwyt hamulca silnika zatrzymuje silnik. Po zwolnieniu

uchwyty hamulca silnika następuje wyłączenie silnika.

Aby przeprowadzić kontrolę hamulca silnika, należy uruchomić silnik, a następnie zwolnić uchwyt hamulca silnika. Jeśli silnik nie wyłączy się w czasie 3 sekund, autoryzowany punkt serwisowy Husqvarna powinien wyregulować hamulec silnika.

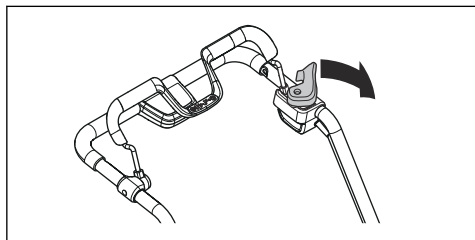


Sprawdzanie zabezpieczenia przed niepożądanym uruchomieniem

Skontrolować zabezpieczenie przed niepożądanym uruchomieniem urządzenia, aby upewnić się, że zapobiega ono uruchomieniu silnika.

1. Pchnąć dźwignię hamulca silnika w stronę drążka sterującego. Zabezpieczenie przed niepożądanym uruchomieniem urządzenia zatrzymuje ruch.

2. Popchnąć zabezpieczenie przed niepożądanym uruchomieniem na zewnątrz.



3. Zwolnić zabezpieczenie przed niepożądanym uruchomieniem urządzenia, aby upewnić się, że powróci do swojego położenia wyjściowego.

Zasady bezpieczeństwa związane z akumulatorem



OSTRZEŻENIE: Przed rozpoczęciem użytkowania produktu przeczytać następujące ostrzeżenia.

- Ryzyko porażenia prądem. Nie przykładać zacisków akumulatora do kluczy, monet, śrub lub innych metalowych przedmiotów. Może to spowodować zwarcie akumulatora.
 - Nie wkładać żadnych przedmiotów do szczelin powietrznych akumulatora.
 - Chronić akumulator przed bezpośrednim działaniem promieni słonecznych, wysoką temperaturą i otwartym płomieniem. Akumulator może wybuchnąć i spowodować oparzenia i/lub oparzenia chemiczne.
 - Akumulator należy chronić przed deszczem i wodą.
 - Akumulator należy chronić przed działaniem mikrofal i wysokiego ciśnienia.
 - Nie próbować rozbierać ani rozbijać akumulatora.
 - Jeśli doszło do wycieku z akumulatora, unikać kontaktu cieczy ze skórą i oczami. W przypadku dotknięcia cieczy przemyć skórę dużą ilością wody i zgłosić się do lekarza.
 - Akumulator można użytkować w zakresie temperatur od -10°C do 40°C .
 - Do czyszczenia akumulatora ani ładowarki nie należy
- Używać akumulatorów Husqvarna wyłącznie do zasilania powiązanych produktów Husqvarna. Aby uniknąć obrażeń, nie należy używać akumulatora jako źródła zasilania innych produktów.
 - Nie korzystać z baterii jednorazowego użytku.

używać wody. Patrz
*Czyszczenie akumulatora i
ładowarki na stronie 482.*

- Nie należy używać wadliwego ani uszkodzonego akumulatora.
- Przechowywać akumulatory z dala od metalowych przedmiotów, takich jak gwoździe, monety czy biżuteria.

Zasady bezpieczeństwa w czasie obsługi ładowarki



OSTRZEŻENIE: Przed rozpoczęciem użytkowania produktu przeczytać następujące ostrzeżenia.

- Używać ładowarki QC jedynie do ładowania akumulatorów wymiennych Husqvarna.
- Istnieje ryzyko porażenie prądem i zwarcia. Nie wkładać żadnych przedmiotów do szczelin wentylacyjnych ładowarki. Nie należy podejmować prób rozmontowania ładowarki. Nie zwierać końcówek ładowarki metalowymi przedmiotami. Należy korzystać z zatwierdzonego gniazda zasilania.
- Niniejszy produkt podczas pracy wytwarza pole elektromagnetyczne. W pewnych okolicznościach pole to może zakłócać pracę aktywnych lub pasywnych implantów medycznych. Przed użyciem tego produktu osoby z wszczepionym implantem medycznym powinny skonsultować się z lekarzem i producentem implantu w celu ograniczenia ryzyka poważnych lub śmiertelnych obrażeń.
- Należy regularnie sprawdzać, czy przewód zasilający ładowarki do akumulatora nie jest uszkodzony i popękany.
- Nie podnosić ładowarki do akumulatora za przewód zasilający. Aby odłączyć ładowarkę do akumulatora od gniazda, wyciągnąć wtyczkę. Nie ciągnąć z przewód.
- Uważać, aby przewód zasilający i przedłużacze nie stykały się z wodą, olejem ani nie dotykały ostrych krawędzi. Uważać także, aby przewód nie został zakleszczony w drzwiach, furtkach, płotach itp. Może to spowodować, że ładowarka znajdzie się pod napięciem.
- Do czyszczenia ładowarki nie należy używać wody.

- Ładowarka do akumulatora może być używana przez dzieci, które przekroczyły 8 rok życia, oraz przez osoby o ograniczonych zdolnościach fizycznych, sensorycznych bądź umysłowych lub nie posiadające odpowiedniego doświadczenia i wiedzy, jeśli są one pod nadzorem lub zostały poinstruowane w zakresie bezpiecznego użytkowania ładowarki i rozumieją wiążące się z nią zagrożenia. Dzieci nie mogą bawić się ładowarką do akumulatora. Dzieci nie mogą bez nadzoru czyścić urządzenia ani przeprowadzać jego konserwacji.
- Nie należy ładować akumulatorów nieprzeznaczonych do ładowania.
- Nie używać ładowarki do akumulatora w pobliżu łatwopalnych materiałów lub materiałów, które mogą powodować korozję. Ładowarki nie należy przykrywać. W razie zauważenia dymu lub ognia należy odłączyć ładowarkę od źródła zasilania.
- Nie należy używać wadliwej lub uszkodzonej ładowarki do akumulatora.
- Należy ładować akumulator wyłącznie wewnątrz budynku, w pomieszczeniu z dobrym przepływem powietrza i z dala od światła słonecznego. Nie ładować akumulatora w wilgotnym otoczeniu.

Instrukcje bezpieczeństwa dotyczące konserwacji



OSTRZEŻENIE: Przed rozpoczęciem użytkowania produktu przeczytać następujące ostrzeżenia.

- Aby zapobiec przypadkowemu włączeniu w trakcie prac konserwacyjnych, należy przekręcić kluczyk bezpieczeństwa w położenie „0” i wyjąć akumulator. Przed rozpoczęciem prac konserwacyjnych odczekać co najmniej 5 s.
- Prace konserwacyjne należy wykonywać w prawidłowy sposób, aby zwiększyć żywotność produktu i zmniejszyć ryzyko wypadków. Wykonanie profesjonalnych napraw należy zlecić autoryzowanemu punktowi serwisowemu. Więcej informacji można uzyskać w

najbliższym punkcie serwisowym.

- Należy wykonywać jedynie prace konserwacyjne opisane w instrukcji obsługi. Większe i bardziej skomplikowane prace muszą być wykonywane w autoryzowanym punkcie serwisowym.
- Podczas obsługi osprzętu tnącego należy zakładać specjalistyczne rękawice. Ostrze jest bardzo ostre i może łatwo doprowadzić do skaleczenia.
- Aby uzyskać jak najlepsze efekty i zapewnić bezpieczeństwo, należy utrzymywać krawędzie tnące naostrzone i czyste.
- Regularnie oddawać urządzenie do

autoryzowanego punktu serwisowego w celu jego kontroli i dokonania koniecznych regulacji lub napraw.

- Wymienić uszkodzone, zużyte lub zniszczone części.
- Należy przestrzegać instrukcji wymiany akcesoriów. Używać wyłącznie akcesoriów od producenta urządzenia.
- Gdy urządzenie nie jest użytkowane, należy przechowywać produkt, akumulator i ładowarkę z dala od siebie, w suchym i zamkniętym pomieszczeniu. Upewnić się, że dzieci ani osoby niepowołane nie mogą uzyskać dostępu do produktu, akumulatora ani ładowarki.

Montaż

Wstęp



OSTRZEŻENIE: Przed montażem produktu należy przeczytać rozdział dotyczący bezpieczeństwa.

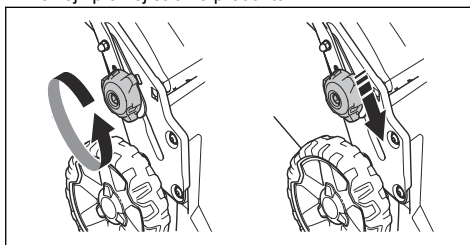


OSTRZEŻENIE: Aby uniknąć niezamierzonego uruchomienia w trakcie montażu, należy przekręcić kluczyk zabezpieczający w położenie „0”, wyjąć akumulator i odczekać przynajmniej 5 s.

Regulacja uchwytu

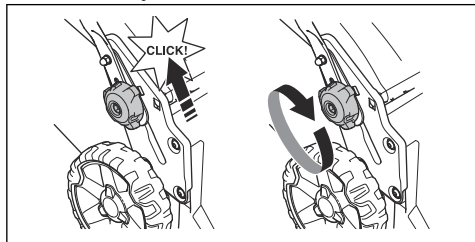
1. Poluzować dolne pokrętki.

2. Przesunąć pokrętła do dolnych końców rowków po lewej i prawej stronie produktu.



3. Ustawić wysokość uchwytu w jedną z 2 dostępnych pozycji.

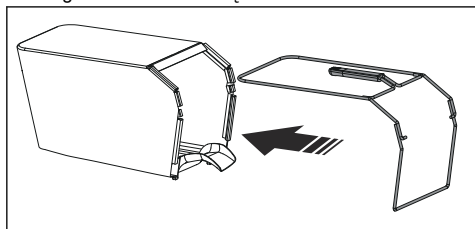
4. Przesunąć pokrętła w górę w kierunku uchwytu aż do zatrzaśnięcia.



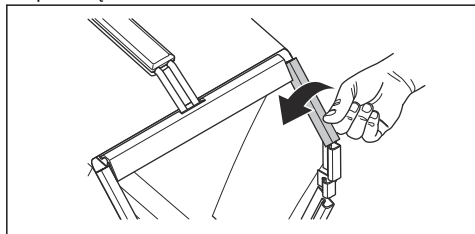
5. Dokręcić do końca pokrętła.

Montaż pojemnika na trawę

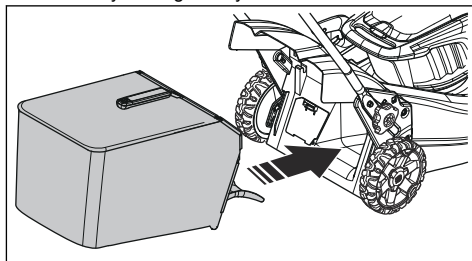
1. Przymocować ramę pojemnika na trawę do worka na trawę tak, aby sztywna część worka znajdowała się na dole. Upewnić się, że uchwyt ramy znajduje się na górze worka na trawę.



2. Zamocować dolną część ramy pojemnika na trawę w rowku na spodzie pojemnika na trawę.
3. Przymocować worek do ramy pojemnika na trawę za pomocą zacisków.

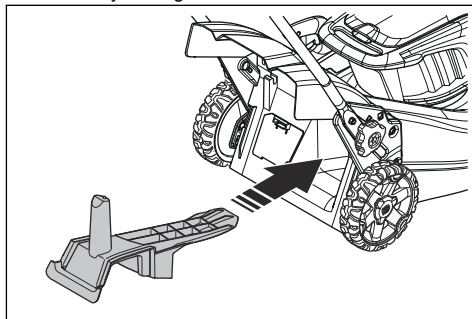


4. Unieść tylną osłonę.
5. Zamocować zbiornik na trawę do górnej krawędzi obudowy.
6. Włożyć dolną część pojemnika na trawę do kanału otworu wylotowego trawy.



Montaż wkładki mulczącej (akcesorium)

1. Unieść tylną pokrywę i wyjąć pojemnik na trawę.
2. Zamontować wkładkę rozdrabniającą w kanale otworu wylotowego.



3. Wymienić ostrze na ostrze mulczujące, dostarczane w zestawie do mulczowania. Patrz *Demontaż i wymiana ostrza na stronie 483*.

Przeznaczenie

Wstęp



OSTRZEŻENIE: Przed użyciem urządzenia należy przeczytać ze zrozumieniem rozdział poświęcony bezpieczeństwu.

Husqvarna Connect

Husqvarna Connect to darmowa aplikacja na urządzenia mobilne. Husqvarna ConnectHusqvarna

- Extended product information.
- Information about, and help with, product parts and servicing.

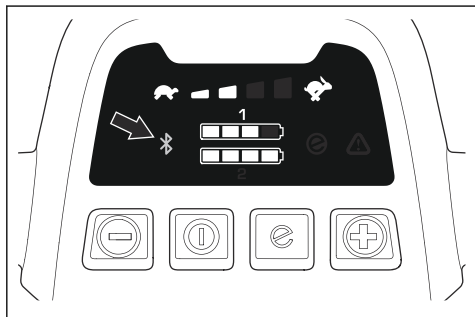
Rozpoczęcie użytkowania Husqvarna Connect

1. Pobierz aplikację Husqvarna Connect na swoim urządzeniu mobilnym.
2. Zarejestruj się w aplikacji Husqvarna Connect.
3. Wykonaj instrukcje wyświetlane w aplikacji Husqvarna Connect, aby nawiązać połączenie i zarejestrować produkt.

Bluetooth® informacje (LC 247iX, LC 347iVX, LC 353iVX)

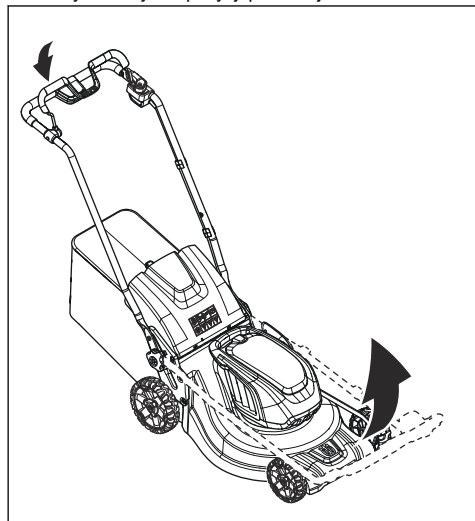
Bezprzewodowa technologia Bluetooth®

Symbol bezprzewodowej technologii *Bluetooth®* pojawia się po podłączeniu urządzenia mobilnego do produktu.

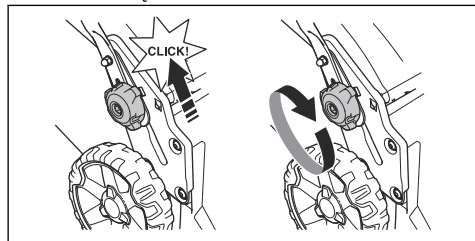


Ustawienie kosiarki w pozycji roboczej

1. Złożyć uchwyt do pozycji pionowej.



2. Przesunąć pokrętkę w górę w kierunku uchwytu aż do zatrzaśnięcia.

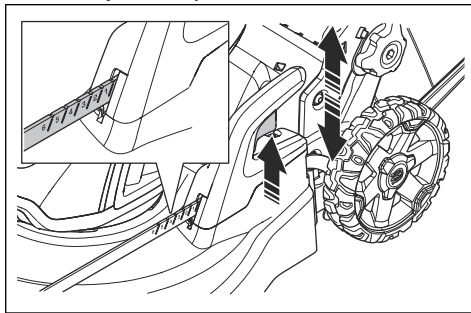


3. Dokręcić do końca pokrętkę.

Regulacja wysokości koszenia

Można ustawiać 6 różnych wysokości koszenia.

1. Przesunąć dźwignię wysokości koszenia w dół w celu zmniejszenia wysokości koszenia.
2. Przesunąć dźwignię wysokości koszenia do góry w celu zwiększenia wysokości koszenia.



UWAGA: Nie należy ustawiać zbyt niskiej wysokości koszenia. Ostrza mogą uderzyć w podłoże, jeśli powierzchnia trawnika nie jest równa.

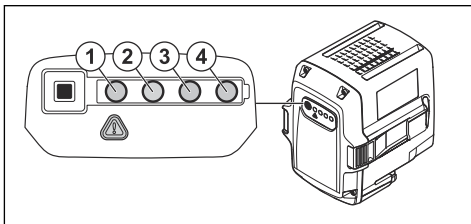
Akumulator



OSTRZEŻENIE: Przed rozpoczęciem korzystania z akumulatora należy przeczytać ze zrozumieniem rozdział poświęcony bezpieczeństwu. Należy również przeczytać uważnie instrukcję obsługi dołączonej do akumulatora i ładowarki.

Stan akumulatora

Na wyświetlaczu pokazywane są informacje o stanie naładowania akumulatora i sygnalizowane ewentualne problemy. Stan naładowania akumulatora jest wyświetlany przez 5 s po wyłączeniu urządzenia lub po naciśnięciu przycisku wskaźnika akumulatora. W przypadku wystąpienia błędu włącza się symbol ostrzegawczy na akumulatorze. Patrz *Akumulator* na stronie 484.



Diody LED	Stan akumulatora
Świecą się wszystkie diody LED.	W pełni naładowany (75–100%).
Świecą się diody LED 1, LED 2, LED 3.	Poziom naładowania akumulatora 50–75%.
Świecą się diody LED 1, LED 2.	Poziom naładowania akumulatora 25–50%.
Świeci się dioda LED 1.	Poziom naładowania akumulatora: 0–25%.
Miga dioda LED 1.	Akumulator rozładowany. Naładuj akumulator.

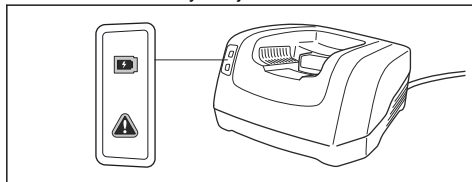
Ładowanie akumulatora

Przed pierwszym użyciem należy naładować akumulator. W chwili dostawy do klienta akumulator jest naładowany jedynie w 30%.

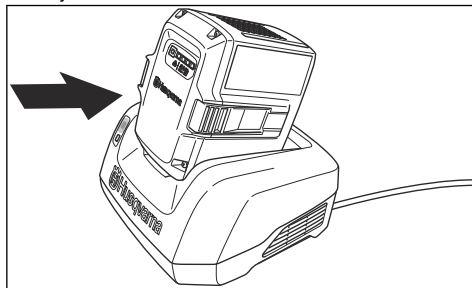
Uwaga: Ładowarka do akumulatora musi zostać podłączona do napięcia i częstotliwości wskazanych na tabliczce znamionowej.

Akumulator nie ładuje się, gdy temperatura akumulatora przekracza 50°C. Przed rozpoczęciem ładowania ładowarka zmniejsza temperaturę akumulatora.

1. Podłączyć jeden koniec przewodu zasilającego ładowarki do gniazda ładowarki.
2. Podłączyć drugi koniec przewodu zasilającego ładowarki do gniazda sieciowego z uziemieniem. Dioda ładowarki błysnie jeden raz na zielono.



3. Włóż akumulator do ładowarki. Kiedy akumulator jest prawidłowo podłączony do ładowarki, włącza się na niej zielona dioda.



4. Akumulator jest całkowicie naładowany, gdy włączą się wszystkie diody. Akumulator można ładować przez maks. 24 godziny.
5. Aby odłączyć ładowarkę od gniazda sieciowego, należy ciągnąć za wtyczkę, a nie za przewód.
6. Akumulator należy wyjąć z ładowarki.

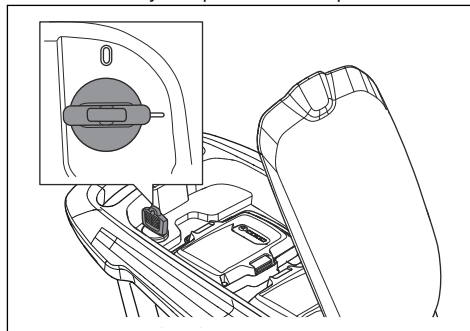
Stan ładowania akumulatora

Akumulator litowo-jonowy Husqvarna można ładować i używać przy różnych poziomach naładowania. Akumulator nie jest uszkodzony. W pełni naładowany akumulator nie będzie się rozładowywał, nawet jeśli zostanie w ładowarce.

Wyświetlacz LED	Stan ładowania
Miga dioda LED 1.	0–25%
Dioda LED 1 świeci, a dioda LED 2 miga.	25–50%
Diody LED 1 i LED 2 świecą, a dioda LED 3 miga.	50–75%
Diody LED 1, LED 2 i LED 3 świecą, a dioda LED 4 miga.	75–100%
Świecą diody LED 1, LED 2, LED 3 i LED 4	Akumulator całkowicie naładowany

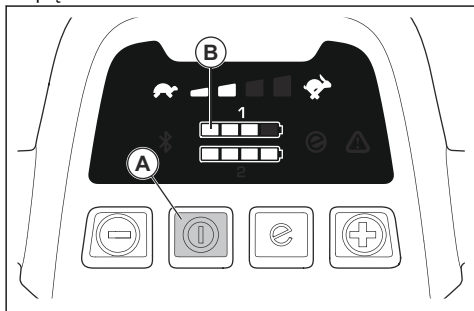
Uruchamianie produktu

1. Otworzyć pokrywę akumulatora.
2. Umieścić naładowany akumulator w 1 z uchwytów akumulatora. Aby zapewnić dłuższy czas pracy, należy umieścić dodatkowy naładowany akumulator w drugim uchwycie akumulatora.
3. Obrócić kluczki bezpieczeństwa do położenia 1.

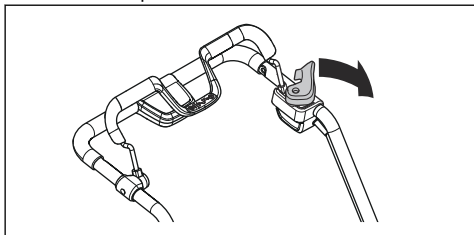


4. Należy pozostawać za maszyną.

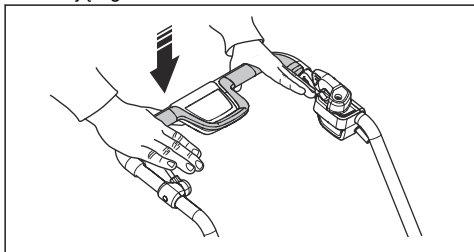
5. Naciśnąć przycisk wł./wył. (A) na panelu sterowania. Włączy się wyświetlacz. Wskaźnik akumulatora (B) wskazuje stan naładowania 2 akumulatorów. Numer aktualnie działającego akumulatora jest wyświetlany obok wskaźnika akumulatora. W modelach LC 347iV, LC 347iVX, LC 353iV, LC 353iVX na wyświetlaczu widoczna jest również ustawiona prędkość.



6. Poluzować opóźniacz rozruchu.

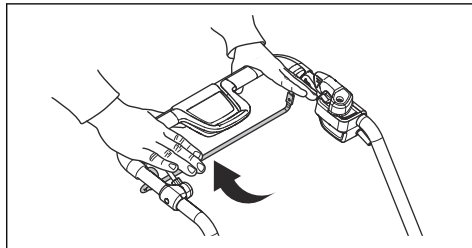


7. Pchnąć dźwignię hamulca silnika w stronę drążka sterującego.

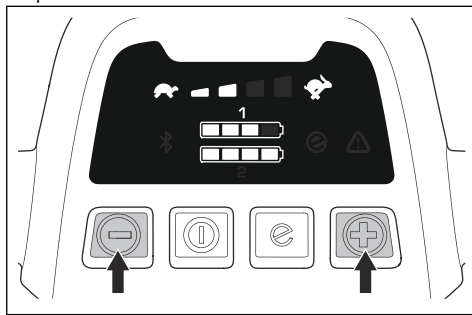


Korzystanie z napędu kół LC 347iV, LC 347iVX, LC 353iV, LC 353iVX

- Pociągnąć dźwignię napędu w kierunku drążka sterującego, aby włączyć napęd.



- Za pomocą przycisków + i - na panelu sterowania można ustawić prędkość jazdy na jeden z 4 poziomów.

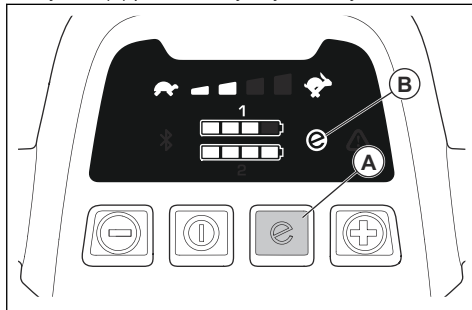


- Zwolnić dźwignię napędu, aby odłączyć napęd na przykład w sytuacji zbliżania się do przeszkody.

Korzystanie z funkcji

Urządzenie wyposażone jest w funkcję oszczędzania akumulatora (e), która zapewnia dłuższy czas pracy.

1. Aby uruchomić funkcję, należy nacisnąć przycisk (A). Na wyświetlaczu pojawi się symbol (B).
2. Ponowne naciśnięcie przycisku wyłączy funkcję. Symbol (B) przestanie być wyświetlany.



Funkcja zostanie wyłączona automatycznie, jeśli okaże się, że stan podłoża wymaga zastosowania większej

mocy. Funkcja ponownie uruchomi się automatycznie, gdy tylko stan podłoża na to pozwoli.

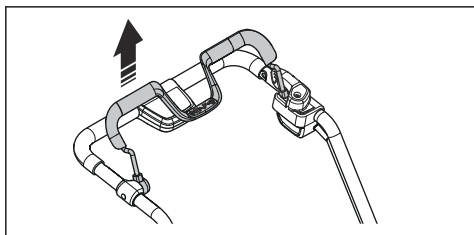
Funkcja dużego obciążenia

Jeżeli urządzenie jest używane do ścinania mokrej lub długiej trawy, silnik automatycznie zwiększy prędkość obrotową. Silnik powróci do trybu standardowego, gdy wysokie obciążenie nie będzie już potrzebne.

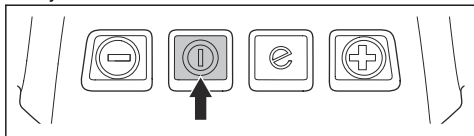
Zatrzymywanie urządzenia

Urządzenie zatrzymuje się automatycznie, jeśli nie jest używane przez 10 min. Przed pozostawieniem produktu poza zasięgiem wzroku zawsze należy ustawić kluczyk bezpieczeństwa w położeniu 0.

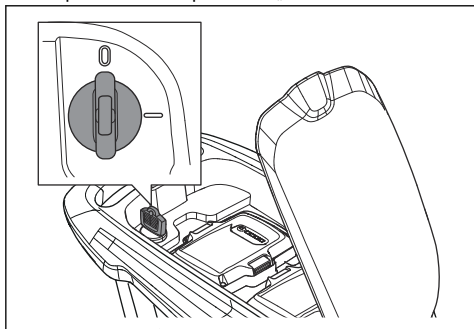
1. Aby wyłączyć silnik, należy zwolnić uchwyt hamulca silnika.



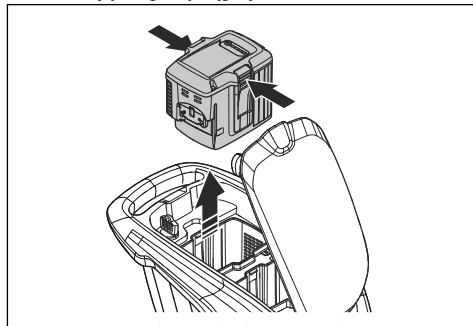
2. Nacisnąć przycisk wł./wył. na panelu sterowania. Wszystkie diody LED i symbole przestaną być wyświetlane.



3. Otworzyć pokrywę akumulatora i obrócić kluczyk bezpieczeństwa w położenie „0”.



4. Aby wyjąć akumulator, nacisnąć 2 przyciski zwalniające i go wyciągnąć.



5. Jeżeli poziom naładowania akumulatora jest niski, należy go naładować. Aby uzyskać więcej informacji, patrz *Ładowanie akumulatora na stronie 479*.

Uzyskiwanie dobrych rezultatów

- Używać zawsze dobrze naostrzonych ostrzy. Stępione ostrze daje nierównomierne rezultaty, a ścinana powierzchnia żółknie. Naostrzone ostrze zużywa również mniej energii niż ostrze stępione.
- Nie należy kosić więcej niż 1/3 długości trawy. Najpierw należy kosić przy użyciu dużej wysokości koszenia do odpowiedniego poziomu. Jeśli trawa jest bardzo długa, w razie konieczności należy przejechać powoli i ścinać dwukrotnie.
- Kosić za każdym razem w różnych kierunkach, aby uniknąć powstawania pasów na trawniku.

Koszenie trawy bez pojemnika na trawę i przystawki mulczującej

- Unieść tylną pokrywę i wyjąć pojemnik na trawę.
- Jeżeli zamontowana jest przystawka mulczująca lub nóż mulczujący, należy je wymontować.
- Przed przystąpieniem do używania urządzenia należy zamknąć tylną pokrywę.

W trakcie pracy urządzenia ścięta trawa jest wyrzucana pod tylną pokrywę.

Przegląd

Wstęp



OSTRZEŻENIE: Przed przeprowadzeniem konserwacji należy przeczytać i zrozumieć rozdział o bezpieczeństwie.

Do wykonywania wszelkich prac serwisowych i naprawczych konieczne jest specjalistyczne przeszkolenie. Gwarantujemy dostępność profesjonalnych napraw i usług serwisowych. Jeśli dany dealer nie jest autoryzowanym punktem serwisowym,

poproś sprzedawcę o informacje na temat najbliższego autoryzowanego punktu serwisowego.

Plan konserwacji

Odstępy pomiędzy konserwacjami obliczane są w oparciu o codzienne wykorzystanie produktu. Odstępy te ulegają zmianie, jeśli maszyna nie jest użytkowana codziennie.

W przypadku konserwacji oznaczonych gwiazdką *, patrz instrukcje w *Instrukcje bezpieczeństwa dotyczące obsługi na stronie 471*.

	Każde użycie	Co miesiąc	Co sezon
Przeprowadzenie ogólnego przeglądu	X		
Wyczyszczenie maszyny	X		
Sprawdzić zabezpieczenie przed niepożądanym uruchomieniem.*	X		
Sprawdzić, czy urządzenia zabezpieczające są sprawne.*	X		
Kontrola osprzętu tnącego	X		
Sprawdzić osłonę cięcia.*	X		
Sprawdzić uchwyt hamulca silnika.*	X		
Sprawdzić, czy przycisk WŁ./WYŁ. działa poprawnie i jest sprawny.	X		
Sprawdzić akumulator pod kątem uszkodzeń.	X		
Sprawdzić naładowanie akumulatora.	X		
Sprawdzić, czy przyciski zwalniające akumulator działają prawidłowo oraz czy blokują go na miejscu w urządzeniu.	X		
Sprawdzić, czy ładowarka nie jest uszkodzona oraz czy działa prawidłowo.		X	
Sprawdzić połączenia pomiędzy akumulatorem a urządzeniem. Sprawdzić również połączenie pomiędzy akumulatorem a ładowarką.			X

Przegląd ogólny

- Należy upewnić się, że nakrętki i śruby maszyny są dokręcone.
- Upewnić się, że przewody urządzenia nie znajdują się w położeniu, w którym mogłyby ulec uszkodzeniu.

Czyszczenie produktu

- Plastikowe części należy czyścić czystą i suchą ściereczką.
- Do czyszczenia urządzenia nie należy używać wody. Woda mogłaby dostać się do akumulatora lub silnika i wywołać zwarcie lub uszkodzenie urządzenia.

- Nie używać myjek wysokociśnieniowych do czyszczenia urządzenia.
- Nie polewać silnika bezpośrednio wodą.
- W celu usunięcia liści, trawy i brudu należy użyć szczotki.

Czyszczenie akumulatora i ładowarki



UWAGA: Do czyszczenia akumulatora ani ładowarki nie należy używać wody.

- Przed włożeniem akumulatora do ładowarki należy sprawdzić, czy akumulator i ładowarka są czyste i suche.

- Zaciski akumulatora należy czyścić sprężonym powietrzem lub miękką i suchą szmatką.
- Powierzchnie akumulatora i ładowarki należy czyścić miękką i suchą szmatką.

Kontrola osprzętu tnącego



OSTRZEŻENIE: Aby uniknąć niezamierzonego uruchomienia, należy przekręcić kluczyk zabezpieczający do położenia 0, wyjąć akumulator i odczekać przynajmniej 5 s.



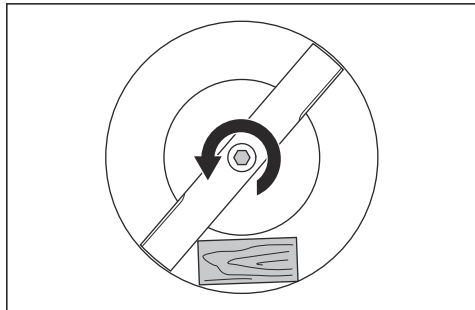
OSTRZEŻENIE: W trakcie konserwacji narzędzi tnących należy korzystać z rękawic ochronnych. Ostrze jest bardzo ostre i może łatwo doprowadzić do skaleczenia.

1. Należy skontrolować, czy osprzęt tnący nie jest uszkodzony bądź pęknięty. Zawsze wymieniać uszkodzony osprzęt tnący.
2. Obejrzeć ostrze i upewnić się, że nie jest uszkodzone lub stępione.

Uwaga: Po ostrzeniu ostrze należy wypoziomować. Ostrzenie, wymiana i poziomowanie ostrza winno zostać przeprowadzone przez centrum serwisowe. W przypadku uderzenia w przeszkodę, która zatrzymuje maszynę, należy wymienić uszkodzone ostrze. Pozwolić, aby przedstawiciel serwisowy oszacował, czy ostrze można naostrzyć czy wymienić.

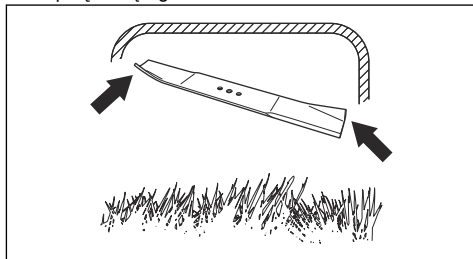
Demontaż i wymiana ostrza

1. Zablokować ostrze przy użyciu drewnianego bloku.

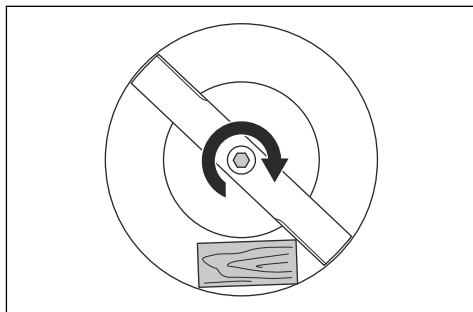


2. Wymontować śrubę ostrza.

3. Zdjąć ostrze.
4. Skontrolować wspornik ostrza oraz śrubę ostrza pod kątem uszkodzeń.
5. Skontrolować wał silnika, aby upewnić się, że nie jest zgięty.
6. Podczas mocowania nowego ostrza należy skierować zakrzywione końce ostrza ku osłonie osprzętu tnącego.



7. Upewnić się, że ostrze jest wyrównane względem środka wału silnika.
8. Zablokować ostrze przy użyciu drewnianego bloku. Zamocować podkładkę sprężynową i dokręcić śrubę oraz podkładkę momentem dokręcania wynoszącym 23–28 Nm.



9. Obracać ostrzem za pomocą ręki i sprawdzić, czy obraca się swobodnie.



OSTRZEŻENIE: Nosić solidne rękawice ochronne. Ostrze jest bardzo ostre i może łatwo doprowadzić do skaleczenia.

10. Uruchomić maszynę w celu przetestowania ostrza. Jeśli ostrze nie zostało zamontowane prawidłowo, maszyna będzie wibrować lub rezultaty koszenia będą niezadowolające.

Rozwiązywanie problemów

Akumulator

Dioda na akumulatorze	Możliwe usterki	Możliwe działania
Miga zielona dioda	Napięcie akumulatora jest niskie	Naładuj akumulator. Patrz <i>Ładowanie akumulatora na stronie 479</i> .
Miga dioda błędu	Akumulator jest słaby	Naładuj akumulator. Patrz <i>Akumulator na stronie 484</i> .
	Temperatura środowiska pracy jest zbyt wysoka lub zbyt niska	Akumulator można użytkować w zakresie temperatur od -10°C do 40°C.
	Przepięcie	Sprawdź, czy napięcie sieciowe jest takie, jak podano na tabliczce znamionowej na urządzeniu. Akumulator należy wyjąć z ładowarki. Odczekać 5 s i spróbować ponownie naładować akumulator. Jeśli problem utrzymuje się, skontaktować się z autoryzowanym punktem serwisowym.
Dioda błędu jest włączona	Zbyt wysoka różnica między ogniwami (1 V).	Skontaktować się z autoryzowanym punktem serwisowym.

Ładowarka

Dioda na ładowarce	Możliwe usterki	Możliwe działania
Miga dioda błędu	Temperatura środowiska pracy jest zbyt wysoka lub zbyt niska	Ładowarkę akumulatora można użytkować w zakresie temperatur od 5°C do 40°C.
Dioda błędu jest włączona		Skontaktować się z autoryzowanym punktem serwisowym

Panel kontrolny

Klawiatura	Kod błędu (liczba błysków)	Możliwe usterki	Możliwe działania
Miga dioda LED błędu	3	Silnik jest przeciążony.	Zwiększyć wysokość koszenia. Patrz <i>Regulacja wysokości koszenia na stronie 478</i> .
	5	Prędkość obrotowa silnika spada zbyt mocno i silnik wyłącza się.	
	10	Sterownik silnika jest zbyt gorący.	Wyłączyć silnik i poczekać, aż ostygnie.
	2	Ostrze jest zablokowane	Aby uniknąć niezamierzonego uruchomienia, należy przekręcić kluczyk zabezpieczający w położenie 0, wyjąć akumulator i odczekać przynajmniej 5 s. Upewnić się, że ostrze może się swobodnie obracać. Jeśli problem utrzymuje się, skontaktować się z autoryzowanym punktem serwisowym.
	9	Błąd akumulatora lub brak sygnału z akumulatora	Poprawnie umieścić akumulator w urządzeniu i sprawdzić złącze akumulatora. Jeśli miga dioda błędu na akumulatorze. Patrz <i>Akumulator na stronie 478</i> .
Urządzenie wyłącza się.	8	Akumulator jest słaby	Naładuj akumulator. Patrz <i>Ładowanie akumulatora na stronie 479</i> .
	0	Błąd złącza akumulatora	Sprawdzić złącze akumulatora.
Inne błędy	W przypadku wystąpienia innego błędu obrócić kluczyk bezpieczeństwa do położenia 0, wyjąć akumulator i skonsultować się z autoryzowanym warsztatem obsługi technicznej.		

Transport, przechowywanie i utylizacja

Wstęp

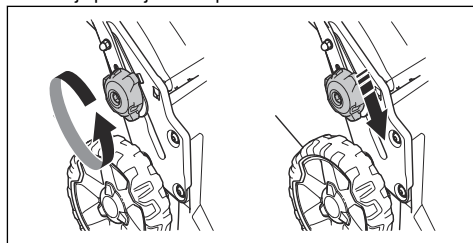


OSTRZEŻENIE: Aby uniknąć niezamierzonego uruchomienia w trakcie transportu, należy przekręcić kluczyk zabezpieczający w położenie „0”, wyjąć akumulator i odczekać przynajmniej 5 s.

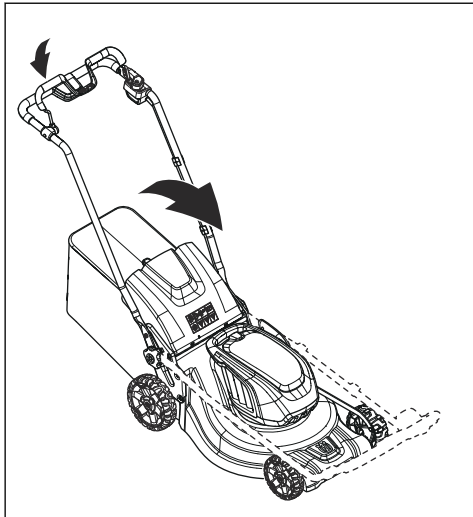
Ustawianie produktu w pozycji transportowej

1. Poluzować dolne pokręta.

2. Przesunąć pokręta do dolnych końców rowków po lewej i prawej stronie produktu.



3. Złożyć rękojeść do przodu.



4. Wymontować pojemnik na trawę.

Transport

- Przepisy dotyczące towarów niebezpiecznych mają zastosowanie do dołączonych akumulatorów litowo-jonowych.
- W przypadku transportu komercyjnego należy przestrzegać specjalnych wymagań umieszczonych na opakowaniu i etykietach.
- W trakcie przygotowywania urządzenia do transportu należy upewnić się, że postępuje się zgodnie z przepisami dotyczącymi materiałów niebezpiecznych. Mogą obowiązywać również lokalne przepisy.
- Zawsze wyjmować akumulator na czas transportu.
- Na złączach akumulatora należy przykleić taśmę i upewnić się, że akumulator nie może się przemieszczać w trakcie transportu.
- W trakcie transportu urządzenie należy zamocować.

Przechowywanie

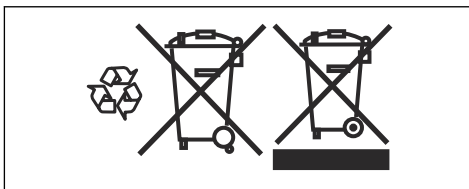
- Zawsze wyjmować akumulator do przechowania.
- Aby uniknąć wypadków, upewnić się, że akumulator jest odłączony od produktu podczas przechowywania.

- Akumulator należy trzymać w zamkniętym i suchym miejscu.
- Akumulator i ładowarkę należy trzymać w suchym miejscu, w którym nie występuje wilgoć ani mróz.
- Na czas przechowywania odłączyć akumulator od ładowarki.
- Nie przechowywać akumulatora w miejscu, gdzie może występować elektryczność statyczna. Nie przechowywać akumulatora w metalowym pojemniku.
- Akumulator należy przechowywać w temperaturze od 5°C do 25°C, w miejscu osłoniętym przed działaniem promieni słonecznych.
- Ładowarkę należy przechowywać w temperaturze od 5°C do 45°C, w miejscu osłoniętym przed działaniem promieni słonecznych.
- Przed odstawieniem urządzenia na dłuższe przechowywanie należy upewnić się, że poziom naładowania akumulatora wynosi 30%–50%.
- Urządzenie, akumulator i ładowarkę należy trzymać w zamkniętym pomieszczeniu, niedostępnym dla dzieci ani osób nieupoważnionych.
- Przed odstawieniem urządzenia na dłuższe przechowywanie należy je wyczyścić oraz przeprowadzić pełny przegląd.

Utylizacja

Symbole znajdujące się na urządzeniu oraz na opakowaniu informują o tym, że nie wolno traktować go jak zwykłego odpadu domowego. Musi ono zostać oddane do odpowiedniego punktu pobierania surowców wtórnych, zajmującego się przetwarzaniem urządzeń elektrycznych oraz elektronicznych.

Przekazując produkt w odpowiednie miejsce, pomagasz przeciwdziałać jego potencjalnemu negatywnemu wpływowi na środowisko naturalne i ludzi. Aby uzyskać więcej informacji na temat recyklingu niniejszego produktu, skontaktować się z urzędem miasta lub gminy, przedsiębiorstwem gospodarki komunalnej albo punktem sprzedaży, w którym produkt został kupiony.



Dane techniczne

Dane techniczne

	LC 247IX/LC 247I	LC 347IVX/LC 347IV	LC 353IVX/LC 353IV
Napęd noży			

	LC 247iX/LC 247i	LC 347iVX/LC 347iV	LC 353iVX/LC 353iV
Typ silnika	BLDC (bezszcotkowy) 36 V	BLDC (bezszcotkowy) 36 V	BLDC (bezszcotkowy) 36 V
Prędkość silnika – SavE, obr./min	2600	2600	2600
Prędkość silnika – nominalna, obr./min	3000	3000	3000
Prędkość silnika – duże obciążenie, obr./min	3500	3500	3500
Moc silnika – maks., kW	0,96	0,96	1,05
Moc silnika – nominalna, kW	0,75	0,75	0,9
Silnik napędowy			
Moc silnika – nominalna, kW	ND.	0,25	0,25
Prędkość chodu, km/h	ND.	3,0–4,5	3,0–4,5
Poziomy regulacji prędkości	ND.	4	4
Waga			
Ciężar bez akumulatora (kg)	24	26	28
Akumulator			
Typ akumulatora	Akumulatory z serii Husqvarna	Akumulatory z serii Husqvarna	Akumulatory z serii Husqvarna
Czas pracy na akumulatorze			
Czas pracy akumulatora, min. (swobodna praca) z aktywną funkcją SavE, z jednym akumulatorem Husqvarna 5,2 Ah (Bli200).	43	43	32
Czas pracy akumulatora, min. (swobodna praca) w trybie standardowym, z jednym akumulatorem Husqvarna 5,2 Ah (Bli200).	30	30	20
Poziom hałasu ⁵⁵			
Zmierzony poziom mocy akustycznej, w dB(A)	94	94	97
Poziom głośności, gwarantowana moc akustyczna [L _{WA} dB(A)]	95	95	98
Poziomy głośności ⁵⁶			
Poziom ciśnienia akustycznego przy uchu operatora, dB(A)	82	82	86
Poziomy wibracji ⁵⁷			
Uchwyt, m/s ²	0,42	0,42	2,64
Osprzet tnący			

⁵⁵ Emisję hałasu do otoczenia zmierzono jako moc akustyczną (L_{WA}), zgodnie z dyrektywą WE 2000/14/WE.

⁵⁶ Odnotowane dane dla ciśnienia akustycznego mają typowe rozproszenie statystyczne (odchylenie standardowe) w wysokości 1,2 dB (A).

⁵⁷ Odnotowane dane dla poziomu wibracji mają typowe rozproszenie statystyczne (odchylenie standardowe) w wysokości 0,2 m/s². Norma dot. drgań EN 60335-2-77:2017, rozdział 20.105

	LC 247iX/LC 247i	LC 347iVX/LC 347iV	LC 353iVX/LC 353iV
Wysokość koszenia, mm	20–75 mm	20–75 mm	20–75 mm
Szerokość koszenia, cm	47	47	53
Standardowe ostrze	Zbierające 5905934-10	Zbierające 5905934-10	Zbierające 5940757-10
Dodatkowe ostrze	Mulczujące 5907010-10	Mulczujące 5907010-10	Mulczujące 5950072-10
Pojemność zbiornika na trawę, l	55	55	60

Dane częstotliwości radiowej dla Bluetooth®	LC 247iX	LC 347iVX	LC 353iVX
Zakres częstotliwości, GHz	2,4-2,4835	2,4-2,4835	2,4-2,4835
Moc wyjściowa, maks., dBm	4	4	4

Zatwierdzone akumulatory	Typ	Pojemność akumulatora, Ah	Napięcie, V	Masa, funty/kg
BLi20	Litowo-jonowy	4,0	36	2,6/1,2
BLi30	Litowo-jonowy	7,7	36	4,2/1,9
BLi200	Litowo-jonowy	5,2	36	2,8/1,3
BLi300	Litowo-jonowy	9,4	36	4,1/1,9

Zatwierdzone ładowarki obsługujące określone akumulatory, BLi	Napięcie wejściowe, V	Częstotliwość, Hz	Moc, W
QC80	100–240	50–60	80
QC80F	12	0	80
QC250	100–240	50–60	250
QC330	100–240	50–60	330
QC500	100–240	50–60	500

Deklaracja zgodności WE

Deklaracja zgodności WE

Firma **Husqvarna AB**, SE-561 82 Huskvarna, Szwecja, tel.: +46-36-146500, oświadcza, że **kosiarka Husqvarna LC 247i, LC 247iX, LC 347iV, LC 347iVX, LC 353iV, LC 353iVX**, począwszy od roku 2018, jest zgodna z przepisami zawartymi w DYREKTYWIE RADY:

- z dnia 8 czerwca 2011 roku, „dotyczącej ograniczenia użycia określonych substancji niebezpiecznych” **2011/65/UE**.
- dyrektywie maszynowej **2006/42/WE** z 17 maja 2006 r.
- z 8 maja 2000 roku, „dotyczącej emisji hałasu do otoczenia” **2000/14/WE**

Informacje dotyczące emisji hałasu podano w rozdziale *Dane techniczne na stronie 486*.

Zostały zastosowane następujące normy:

EN/IEC 60335-1, EN/IEC 60335-2-77, EN/IEC 62233, EN 55014-1, EN ETSI 301 489-7 v1.3.1, EN 61000-6,

ETSI EN 61000-6-1, EN 300 328 BT low energy Tx/Rx, EN 50581

Jeśli nie podano inaczej, wymienione powyżej normy to najnowsze opublikowane wersje.

Jednostka notyfikowana: **0404, RISE SMP Svensk Maskinprovning AB, Box 7035, SE-750 07 Uppsala** przeprowadziła ocenę zgodności według załącznika VI dyrektywy 2000/14/WE.

Huskvarna, 2020-04-22



Claes Losdal, menedżer ds. rozwoju/produkty ogrodowe (autoryzowany przedstawiciel Husqvarna AB oraz osoba odpowiedzialna za dokumentację techniczną)

Zarejestrowane znaki handlowe

Nazwa handlowa *Bluetooth®* i logo są zastrzeżonymi znakami towarowymi stanowiącymi własność *Bluetooth SIG, inc.*. Każde wykorzystanie takich znaków przez Husqvarna odbywa się w ramach umowy licencyjnej.

ÍNDICE

Introdução.....	490	Resolução de problemas.....	510
Segurança.....	494	Transporte, armazenamento e eliminação.....	512
Montagem.....	503	Especificações técnicas.....	513
Funcionamento.....	504	Declaração CE de conformidade.....	516
Manutenção.....	509	Marcas comerciais registadas.....	516

Introdução

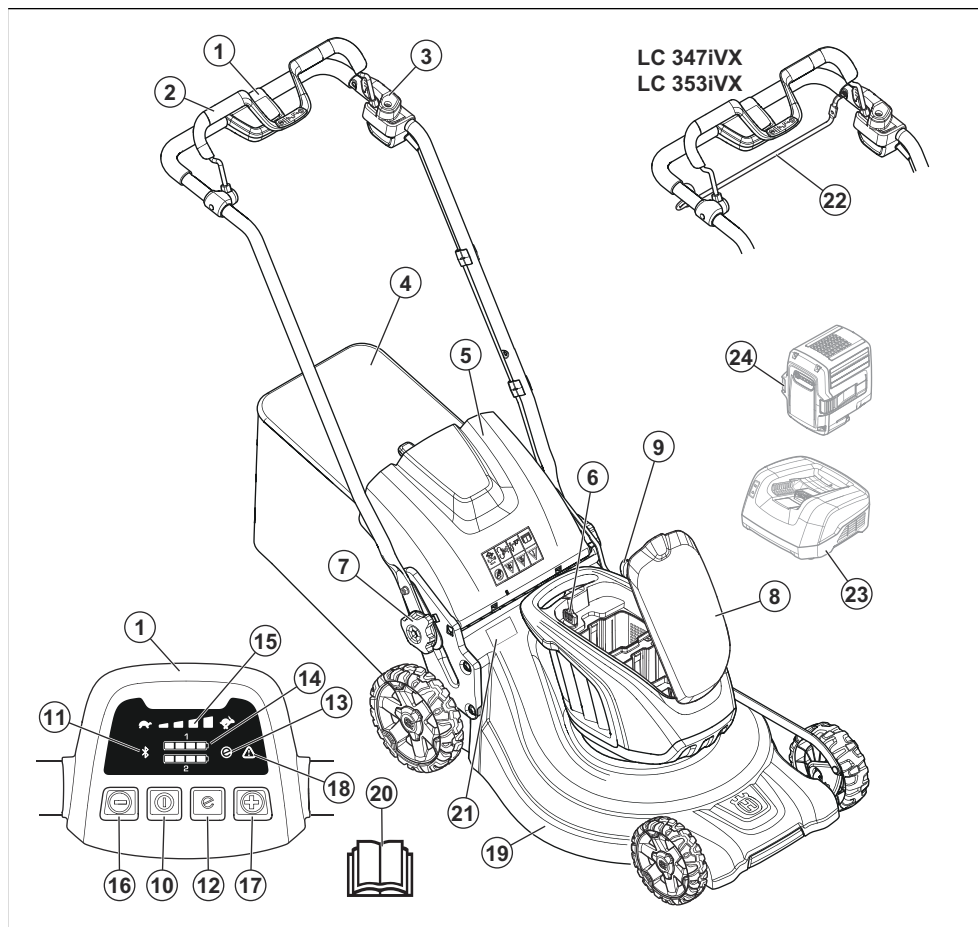
Descrição do produto

O produto é um corta-relva giratório de controlo apeado. A relva é apanhada num coletor de relva. Remova o coletor de relva para recolher a descarga traseira da relva. Prenda um kit de trituração (acessório) para cortar a relva e torná-la fertilizante.

Finalidade

Utilize o produto para cortar a relva. Não utilize o produto para outras tarefas.

Vista geral do produto



1. Painel de controle
2. Manípulo de travão do motor
3. Inibidor de arranque
4. Coletor de relva
5. Cobertura traseira
6. Chave de segurança
7. Botão do punho
8. Cobertura da bateria
9. Controle da altura de corte
10. Botão ON/OFF
11. Indicador de tecnologia sem fio *Bluetooth*[®]
12. Botão SavE (economia)
13. Indicador SavE
14. Indicador da bateria
15. Indicador do nível de velocidade (LC 347iV, LC 347iVX, LC 353iV, LC 353iVX)
16. Botão de diminuição da velocidade (LC 347iV, LC 347iVX, LC 353iV, LC 353iVX)
17. Botão de aumento da velocidade (LC 347iV, LC 347iVX, LC 353iV, LC 353iVX)
18. LED de erro
19. Cobertura de corte
20. Manual do utilizador
21. Placa de tipo
22. Manípulo de direção (LC 347iV, LC 347iVX, LC 353iV, LC 353iVX)
23. Carregador da bateria (acessório)
24. Bateria (acessório)

Símbolos no produto



AVISO! Seja cuidadoso e utilize o produto corretamente. Este produto pode provocar ferimentos graves ou a morte do utilizador ou terceiros.



Leia o manual do utilizador com atenção e certifique-se de que compreende as instruções antes de utilizar o produto.



Mantenha as pessoas e os animais a uma distância de segurança da área de trabalho.



Tenha cuidado com objetos projetados e ricochetes.



Aviso: Mantenha as mãos e os pés afastados da lâmina rotativa.



Aviso: Mantenha as mãos e os pés afastados das peças rotativas.



Retire a chave de segurança antes de efetuar trabalhos de reparação ou manutenção.



Evite expô-las à chuva.



O produto ou a respetiva embalagem não são resíduos domésticos. Recicle o equipamento numa estação de reciclagem para equipamentos elétricos e eletrónicos.



O produto está em conformidade com as diretivas CE aplicáveis.



O produto está em conformidade com as diretivas da União Aduaneira Eurasiática aplicáveis.



O produto está em conformidade com as diretivas UkrSEPRO aplicáveis.



O produto está em conformidade com as

diretivas RCM aplicáveis. Aplica-se apenas à AU/NZ



Emissões de ruído para o meio ambiente de acordo com a Diretiva Europeia 2000/14/CE e com o regulamento "Protection of the Environment Operations (Noise Control) Regulation 2017" (regulamento de proteção de operações no meio ambiente [controlo do ruído] de 2017) da Nova Gales do Sul. Os dados das emissões de ruído podem ser encontrados na etiqueta da máquina no capítulo Especificações técnicas.

IPX1 O produto está protegido contra gotejamento.



Procedimento de arranque: prima o botão ON/OFF, desaperte o inibidor de arranque e empurre o punho do travão do motor para baixo.



Solte o punho do travão do motor para parar.



Lento



Rápido



Código para leitura

Nota: Os restantes símbolos/autocolantes existentes no produto dizem respeito às exigências de homologação de alguns países.

Etiqueta no produto



Mantenha as mãos e os pés afastados das lâminas rotativas.

Responsabilidade pelo produto

Como referido nas leis de responsabilidade pelo produto, não somos responsáveis por danos causados pelo nosso produto se:

- o produto tiver sido incorretamente reparado.

- o produto tiver sido reparado com peças que não sejam do fabricante ou que não sejam aprovadas pelo fabricante.
- o produto tiver um acessório que não seja do fabricante ou que não seja aprovado pelo fabricante.
- o produto não tiver sido reparado por um centro de assistência autorizado ou por uma autoridade aprovada.

Segurança

Definições de segurança

Os avisos, as precauções e as notas são utilizados para indicar partes especialmente importantes do manual.



ATENÇÃO: Utilizado no caso de existir risco de ferimento ou morte para o utilizador ou transeuntes, se não forem respeitadas as instruções do manual.



CUIDADO: Utilizado se existir risco de danos para o produto, para outros materiais ou para a área adjacente, se não forem respeitadas as instruções do manual.

Nota: Utilizado para disponibilizar informações adicionais necessárias numa determinada situação.

Instruções de segurança gerais



ATENÇÃO: Leia as instruções de aviso que se seguem antes de utilizar o produto.

- Este produto é perigoso se for utilizado de forma incorreta ou se não o utilizador for cuidadoso. Podem ocorrer ferimentos graves ou mesmo morte se as instruções de segurança não forem respeitadas.
- Este produto produz um campo eletromagnético durante o funcionamento. Em determinadas circunstâncias, este campo pode interferir com o funcionamento de implantes médicos ativos ou passivos. Para diminuir o risco de ferimentos graves ou mortais, recomendamos que os portadores de implantes médicos consultem o seu médico e o fabricante do implante antes de utilizar este produto.

- Seja sempre cuidadoso e use o seu senso comum. Se não tiver a certeza sobre como utilizar o produto numa situação especial, pare e fale com o seu revendedor Husqvarna antes de continuar.
- Tenha em atenção que o utilizador é responsável pelos acidentes que incluam outras pessoas ou a respetiva propriedade.
- Mantenha o produto limpo. Certifique-se de que pode ler claramente os sinais e os autocolantes.
- Não permita a utilização do equipamento por crianças ou pessoas não familiarizadas com estas instruções. As normas locais podem restringir a idade do utilizador
- Monitorize sempre a utilização do produto por pessoas com diminuição da capacidade física ou mental. Tem de estar sempre presente um adulto responsável.
- Não utilize o produto se estiver cansado, doente ou sob a influência de álcool, drogas ou medicamentos. Estes têm um efeito negativo na sua visão, atenção, capacidade de discernimento ou controlo físico.
- Não utilize o produto se este apresentar algum defeito.
- Não altere este produto e não o utilize se houver a possibilidade de ter sido alterado por outros.

Segurança no local de trabalho



ATENÇÃO: Leia as instruções de aviso que se seguem antes de utilizar o produto.

- Retire objetos como ramos, galhos e pedras da área de trabalho antes de utilizar o produto.
- Os objetos que embatam no equipamento de corte podem ser projetados e causar danos a pessoas e objetos. Mantenha terceiros e animais a uma distância de segurança do produto.
- Nunca utilize o produto em más condições meteorológicas, como nevoeiro, chuva, ventos fortes, frio intenso e risco de trovoadas. A utilização do produto em más condições meteorológicas ou em localizações molhadas ou com humidade é cansativa. As más condições meteorológicas podem causar condições

- perigosas, como superfícies escorregadias.
- Observe se há pessoas, objetos e situações que possam impedir o funcionamento seguro do produto.
 - Observe se há obstáculos como raízes, pedras, ramos, buracos e valas. A relva longa pode ocultar obstáculos.
 - Cortar relva em declives pode ser perigoso. Não corte a relva em declives demasiado íngremes. Não utilize o produto em terrenos com um declive superior a 15°
 - Tenha muito cuidado ao mudar de direção em declives. Utilize o produto ao longo da face dos declives. Não se desloque para cima e para baixo.
 - Tenha cuidado ao aproximar-se de esquinas com pouca visibilidade e de objetos que possam impedir uma boa visibilidade.
- Utilize este produto apenas para cortar relva. Não é permitido utilizá-lo para outras tarefas.
 - Use equipamento de proteção pessoal. Consulte *Equipamento de proteção pessoal na página 497*.
 - Certifique-se de que sabe como desligar o motor rapidamente em caso de emergência.
 - Não utilize o produto em condições de chuva ou de humidade. O risco de choque elétrico aumenta se entrar água no produto.
 - Não utilize o produto, a menos que a lâmina e todas as coberturas estejam corretamente montadas. Uma lâmina montada incorretamente pode soltar-se e causar ferimentos pessoais.
 - Certifique-se de que a lâmina não atinge objetos como pedras e raízes. Isto pode causar danos à lâmina e dobrar o eixo do motor. Um eixo dobrado provoca fortes vibrações e um elevado risco de a lâmina se soltar.
 - Se a lâmina atingir um objeto ou ocorrerem vibrações, pare o produto imediatamente. Desligue o motor, rode a

Segurança do trabalho



ATENÇÃO: Leia as instruções de aviso que se seguem antes de utilizar o produto.

- chave de segurança para a posição 0 e retire a bateria. Examine se o produto apresenta sinais de danos. Repare os danos ou solicite a reparação numa oficina autorizada.
- Nunca ligue o manípulo de travão do motor de modo permanente ao punho durante o arranque do motor.
 - Coloque o produto numa superfície estável e plana e ligue-o. Certifique-se de que a lâmina não atinge o solo ou outros objetos.
 - Mantenha-se sempre por trás do produto quando o operar.
 - Mantenha todas as rodas no chão e as duas mãos sobre o punho quando utilizar o produto. Mantenha as mãos e os pés afastados das lâminas rotativas.
 - Não incline o produto quanto ligar o motor.
 - Tenha cuidado quando puxar o produto para trás.
 - Nunca levante o produto quando ligar o motor. Se tiver de levantar o produto, desligue primeiro o motor, rode a chave de segurança para a posição 0 e retire a bateria.
 - Não caminhe para trás quando operar o produto.
 - Desligue o motor quando se deslocar em zonas sem relva, por exemplo caminhos de gravilha, pedra e asfalto.
 - Não corra com o produto quando o motor está ligado. Caminhe sempre que operar o produto.
 - Pare o motor antes de mudar a altura de corte. Nunca efetue ajustes com o motor ligado.
 - Nunca deixe o produto fora de vista com o motor ligado. Pare o motor e certifique-se de que o equipamento de corte não roda.

Instruções de segurança para funcionamento

Equipamento de proteção pessoal



ATENÇÃO: Leia as instruções de aviso que se seguem antes de utilizar o produto.

- O equipamento de proteção pessoal não previne totalmente os ferimentos mas diminui a respetiva gravidade em caso de acidente. Obtenha ajuda junto do seu concessionário para

- selecionar o equipamento certo.
- Use botas ou sapatos antiderrapantes resistentes. Não use calçado aberto nem ande com os pés descalços.
 - Use calças compridas e resistentes.
 - Use luvas de proteção sempre que necessário, por exemplo, ao fixar, examinar ou limpar o equipamento de corte.

Dispositivos de segurança no produto



ATENÇÃO: Leia as instruções de aviso que se seguem antes de utilizar o produto.

- Não utilize o produto com dispositivos de segurança defeituosos.
- Verifique regularmente os dispositivos de segurança. Se os dispositivos de segurança estiverem defeituosos, fale com a sua oficina Husqvarna autorizada.

Verificar a cobertura de corte

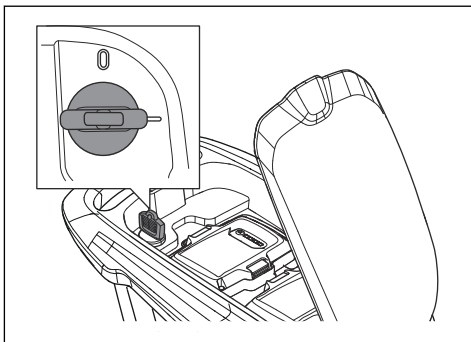
A cobertura de corte reduz as vibrações no produto e o risco de ferimentos causados pela lâmina.

- Examine a cobertura de corte para se certificar de que não existem danos, como fissuras.

Chave de segurança

A chave de segurança encontra-se por baixo da tampa da bateria. A chave de segurança liga a bateria que alimenta o motor.

- Ligue e desligue o motor para verificar o funcionamento da chave de segurança.
- Se a chave de segurança funcionar corretamente, o motor pode arrancar apenas quando a chave de segurança se encontra na posição 1.

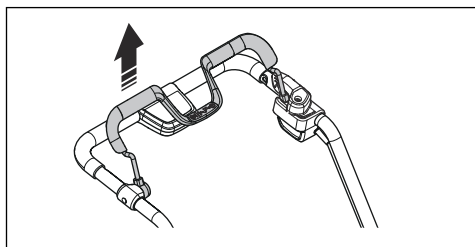


Manípulo de travão do motor

O manípulo de travão do motor para o motor. Quando soltar o

manípulo de travão do motor, o motor para.

Para verificar o funcionamento do travão do motor, ligue o motor e, em seguida, solte manípulo do travão do motor. Se o motor não parar em 3 segundos, solicite o ajuste do travão do motor numa oficina Husqvarna autorizada.

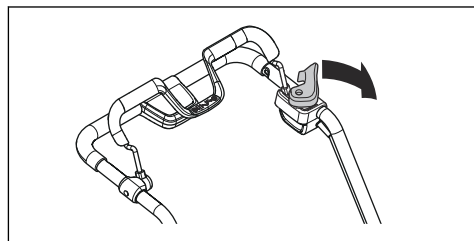


Verificar o inibidor de arranque

Verifique o inibidor de arranque para se certificar de que este impede o funcionamento do motor.

1. Empurre o manípulo de travão do motor no sentido da barra de direção. O inibidor de arranque para o movimento.

2. Empurre o inibidor de arranque para fora.



3. Solte o inibidor de arranque e certifique-se de que este volta à respetiva posição inicial.

Segurança da bateria



ATENÇÃO: Leia as instruções de aviso que se seguem antes de utilizar o produto.

- Utilize baterias recarregáveis Husqvarna como fonte de alimentação apenas para produtos Husqvarna relacionados. Para evitar ferimentos, não utilize a bateria como fonte de alimentação para outros produtos.
- Não utilize baterias não recarregáveis.
- Risco de choque elétrico. Não ligue os terminais da bateria a chaves, moedas, parafusos ou outros metais. Caso contrário,

- pode provocar um curto-circuito da bateria.
- Não coloque objetos nas aberturas de ventilação da bateria.
 - Mantenha a bateria afastada do sol, calor ou de chamas abertas. A bateria pode explodir e causar queimaduras e/ou queimaduras químicas.
 - Mantenha a bateria afastada de chuva e condições de humidade.
 - Mantenha a bateria afastada de micro-ondas e alta pressão.
 - Não tente desmontar ou partir a bateria.
 - Em caso de fuga da bateria, evite o contacto do líquido com a pele ou com os olhos. Em caso de contacto com o líquido, limpe a área com água abundante e procure assistência médica.
 - Utilize a bateria a temperaturas entre $-10\text{ }^{\circ}\text{C}$ e $40\text{ }^{\circ}\text{C}$.
 - Não limpe a bateria ou o carregador com água. Consulte o capítulo *Para limpar a bateria e o carregador da bateria na página 509*.
 - Não utilize uma bateria danificada ou com defeito.

- Mantenha as baterias armazenadas afastadas de objetos metálicos como, por exemplo, pregos, moedas, joias.

Segurança do carregador de bateria



ATENÇÃO: Leia as instruções de aviso que se seguem antes de utilizar o produto.

- Utilize carregadores de bateria QC para carregar apenas baterias de substituição Husqvarna.
- Risco de choque elétrico ou curto-circuito. Não coloque objetos nas aberturas de ventilação do carregador. Não tente desmontar o carregador da bateria. Não ligue os terminais do carregador a objetos metálicos. Utilize uma tomada elétrica aprovada.
- Este produto produz um campo eletromagnético durante o funcionamento. Em determinadas circunstâncias, este campo pode interferir com o funcionamento de implantes médicos ativos ou passivos. Para diminuir o risco de condições que podem causar ferimentos ou morte,

recomendamos que os portadores de implantes médicos consultem o seu médico e o fabricante do implante antes de utilizar este produto.

- Certifique-se regularmente de que o cabo de alimentação do carregador da bateria não está danificado nem apresenta fissuras.
- Não utilize o cabo de alimentação para levantar o carregador da bateria. Para desligar o carregador da bateria de uma tomada elétrica, puxe a ficha. Não puxe o cabo de alimentação.
- Mantenha o cabo de alimentação e os cabos de extensão afastados de água, de óleo e de arestas afiadas. Certifique-se de que o cabo não fica entalado em portas, cercas ou equivalente. Isto pode fazer com que o carregador fique sob tensão.
- Não limpe o carregador da bateria com água.
- O carregador da bateria pode ser utilizado por crianças a partir dos 8 anos de idade e por pessoas com capacidades físicas, sensoriais ou mentais reduzidas, ou falta de experiência e conhecimentos,

desde que as mesmas se encontrem sob supervisão ou tenham recebido instruções acerca da utilização segura do carregador da bateria e compreendam os perigos envolvidos. As crianças não devem brincar com o carregador da bateria. As tarefas de limpeza e manutenção a cargo do utilizador não devem ser efetuadas por crianças sem a devida supervisão.

- Não carregue baterias não recarregáveis no carregador da bateria.
- Não utilize o carregador da bateria próximo de materiais inflamáveis ou materiais que possam provocar corrosão. Não cubra o carregador da bateria. Em caso de fumo ou fogo, desligue o carregador da bateria da tomada.
- Não utilize um carregador da bateria que esteja com defeito ou danificado.
- Carregue a bateria apenas em espaços interiores com boa ventilação e sem exposição à luz solar. Não carregue a bateria em condições de humidade.

Instruções de segurança para manutenção



ATENÇÃO: Leia as instruções de aviso que se seguem antes de utilizar o produto.

- Para evitar um arranque acidental durante a manutenção, rode a chave de segurança para a posição 0 e retire a bateria. Aguarde pelo menos 5 segundos antes de começar a manutenção.
- Efetue os trabalhos de manutenção corretamente para aumentar a vida útil do produto e reduzir o risco de acidentes. Solicite a realização de reparações profissionais numa oficina autorizada. Para mais informações, contacte a sua oficina autorizada.
- Efetue apenas os trabalhos de manutenção indicados neste manual do operador. As intervenções maiores têm de ser efetuadas por uma oficina autorizada.
- Calce luvas resistentes quando utilizar o equipamento de corte. A lâmina é muito afiada e pode facilmente provocar cortes.
- Mantenha as extremidades cortantes afiadas e limpas para garantir um desempenho melhor e mais seguro.
- Solicite à sua oficina autorizada a inspeção regular do produto e a realização dos ajustes e reparações necessários.
- Substitua as peças danificadas, gastas ou partidas.
- Cumpra as instruções relativas à substituição dos acessórios. Utilize apenas os acessórios do fabricante.
- Quando não estiverem em funcionamento, mantenha o produto, a bateria e carregador da bateria afastados num local seco, interior e fechado à chave. Certifique-se de que as crianças e as pessoas não autorizadas não conseguem ter acesso ao produto, à bateria ou ao carregador da bateria.

Montagem

Introdução



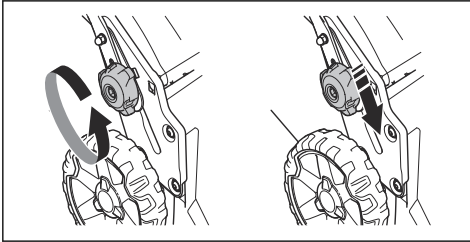
ATENÇÃO: Antes de montar o produto, leia o capítulo sobre segurança.



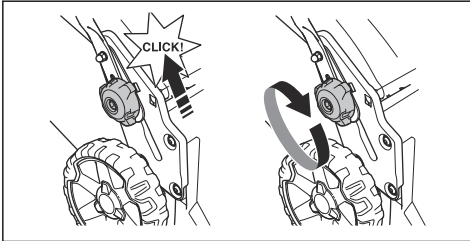
ATENÇÃO: Para evitar um arranque acidental durante a montagem, rode a chave de segurança para a posição 0, retire a bateria e aguarde pelo menos 5 segundos.

Ajustar o punho

1. Desaperte os manípulos inferiores.
2. Desloque os botões para a extremidade inferior das ranhuras, dos lados esquerdo e direito do produto.



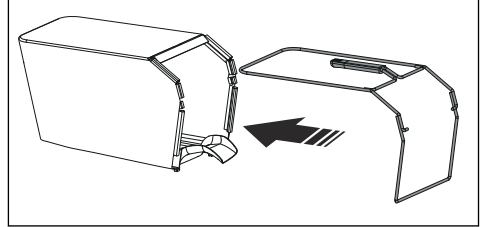
3. Defina a altura do punho para uma das 2 posições disponíveis.
4. Desloque os botões para cima em direção ao punho, até pararem e ouvir um clique.



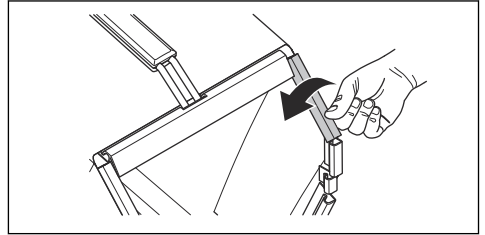
5. Aperte os botões totalmente.

Montar o coletor de relva

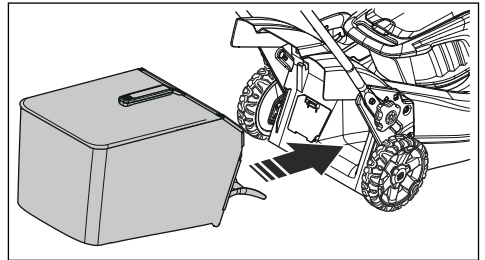
1. Coloque a estrutura do coletor de relva no saco de relva com a parte rígida do saco no fundo. Mantenha o punho da estrutura na parte superior do saco de relva.



2. Fixe a secção inferior da estrutura do coletor de relva na ranhura da parte inferior do mesmo.
3. Fixe o saco de relva na estrutura do coletor de relva com os grampos.



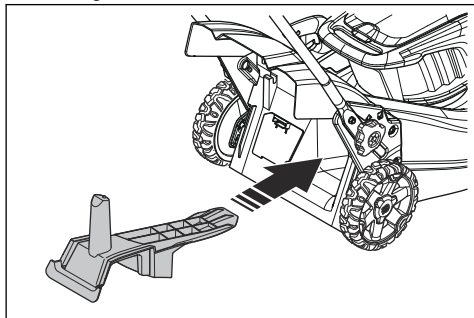
4. Levante a cobertura traseira.
5. Prenda o coletor de relva à extremidade superior do chassi.
6. Coloque a parte inferior do coletor de relva no canal de descarga da relva.



Montar o tampão de trituração (acessório)

1. Levante a cobertura traseira e retire o coletor de relva.

2. Coloque o tampão de trituração no canal de descarga.



3. Substitua a lâmina pela lâmina de trituração incluída no kit de trituração. Consulte *Retirar e substituir a lâmina na página 510*.

Funcionamento

Introdução



ATENÇÃO: Antes de utilizar o produto, tem ler e compreender o capítulo sobre segurança.

Husqvarna Connect

A Husqvarna Connect é uma aplicação gratuita para o seu dispositivo móvel. A aplicação Husqvarna Connect disponibiliza funções alargadas para o seu produto Husqvarna:

- Informações alargadas sobre o produto.
- Informações sobre, e ajuda relacionada com peças e manutenção do produto.

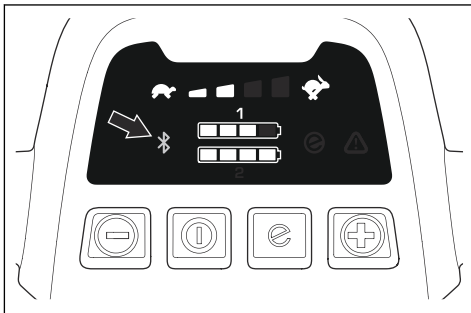
Começar a utilizar Husqvarna Connect

1. Transfira a aplicação Husqvarna Connect para o seu dispositivo móvel.
2. Registe-se na aplicação Husqvarna Connect.
3. Siga os passos das instruções na aplicação Husqvarna Connect para ligar e registar o produto.

Informações sobre Bluetooth® (LC 247iX, LC 347iVX, LC 353iVX)

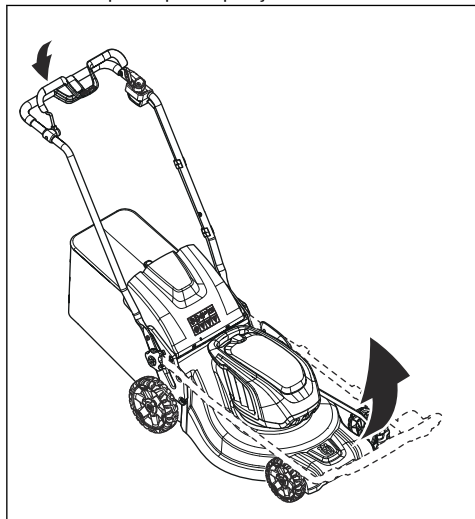
Tecnologia sem fios Bluetooth®

O símbolo da tecnologia sem fios *Bluetooth®* acende-se quando o seu dispositivo móvel é ligado ao produto.

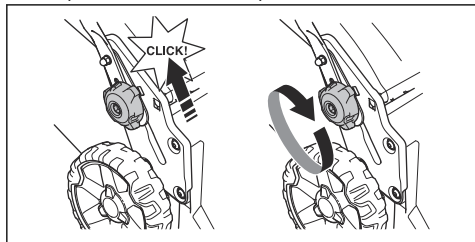


Para colocar o produto na posição de funcionamento

1. Dobre o punho para a posição vertical.



2. Desloque os botões para cima em direção ao punho, até pararem e ouvir um clique.



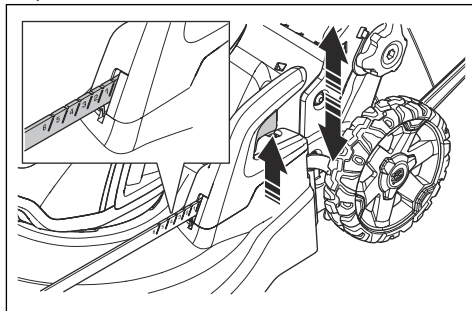
3. Aperte os botões totalmente.

Definir a altura de corte

A altura de corte pode ser ajustada em 6 níveis.

1. Desloque a alavanca da altura de corte para baixo para diminuir a altura de corte.

2. Desloque a alavanca da altura de corte para cima para aumentar a altura de corte.



CUIDADO: Não regule a altura de corte demasiado baixa. As lâminas podem entrar em contacto com o solo se a superfície do relvado não estiver nivelada.

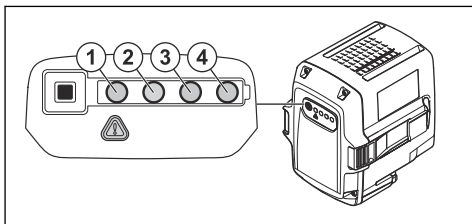
Bateria



ATENÇÃO: Antes de utilizar a bateria, tem de ler e compreender o capítulo sobre segurança. Também tem de ler e compreender o manual do operador da bateria e do carregador da bateria.

Estado da bateria

O visor indica a capacidade restante da bateria e a existência de problemas com a mesma. A capacidade da bateria é apresentada durante 5 segundos depois de desligar o produto ou se pressionar o botão indicador da bateria. O símbolo de aviso na bateria acende-se quando ocorre um erro. Consulte o capítulo *Bateria na página 510*.



Luzes LED	Estado da bateria
Todos os LED acesos	Carga completa (75%-100%)
LED 1, LED 2 e LED 3 acesos	A bateria tem uma carga de 50%-75%
LED 1 e LED 2 acesos	A bateria tem uma carga de 25%-50%

Luzes LED	Estado da bateria
LED 1 aceso	A bateria tem uma carga de 0%-25%.
LED 1 intermitente	A bateria está descarregada. Carregue a bateria.

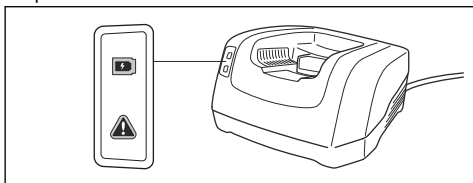
Carregar a bateria

Carregue a bateria antes da primeira utilização. A bateria tem apenas 30% de carga quando é entregue ao cliente.

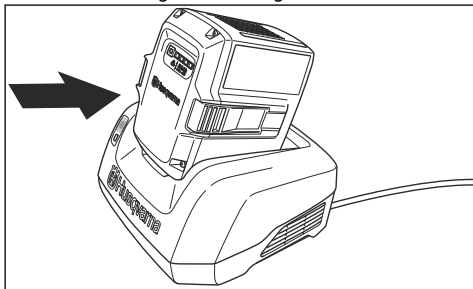
Nota: O carregador da bateria tem de ser ligado à tensão e à frequência especificadas na etiqueta de tipo.

A bateria não carrega se a sua temperatura for superior a 50 °C. O carregador da bateria diminui a temperatura da bateria antes de começar a carregar.

1. Ligue uma extremidade do cabo de alimentação do carregador da bateria à tomada do carregador da bateria.
2. Ligue a outra extremidade do cabo de alimentação do carregador da bateria a uma tomada elétrica com ligação à terra. O LED do carregador da bateria pisca a verde uma vez.



3. Coloque a bateria no carregador da bateria. A luz verde do carregador acende-se se a bateria estiver corretamente ligada ao carregador da bateria.



4. A bateria está totalmente carregada quando todos os LED se acenderem. Carregue a bateria no máximo durante 24 horas.
5. Para desligar o carregador da bateria da tomada, retire a ficha e não o cabo de alimentação.
6. Retire a bateria do carregador da bateria.

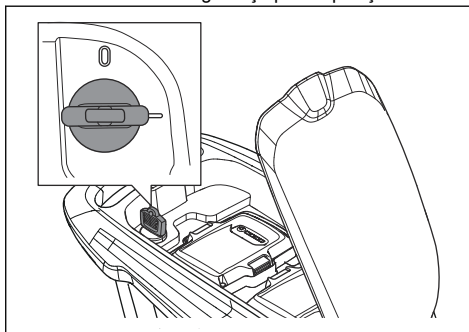
Estado de carregamento da bateria

Uma bateria de íões de lítio Husqvarna pode ser carregada ou utilizada em todos os níveis de carga. A bateria não fica danificada. Uma bateria completamente carregada não perde a sua carga mesmo que seja deixada no carregador.

Ecrã LED	Estado de carga
LED 1 intermitente	0%-25%
LED 1 aceso, LED 2 intermitente	25%-50%
LED 1 e LED 2 acesos, LED 3 intermitente	50%-75%
LED 1, LED 2 e LED 3 acesos, LED 4 intermitente	75%-100%
LED 1, LED 2, LED 3 e LED 4 acesos	Totalmente carregada

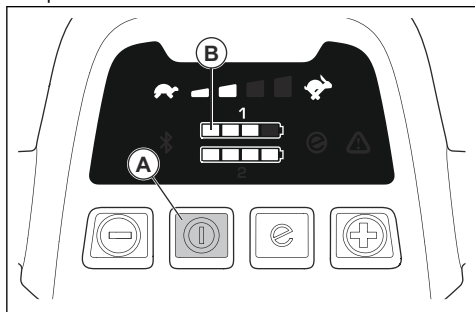
Arranque

1. Abra a tampa da bateria.
2. Coloque uma bateria carregada num dos suportes da bateria. Para prolongar o tempo de funcionamento, coloque uma segunda bateria carregada no outro suporte da bateria.
3. Rode a chave de segurança para a posição 1.

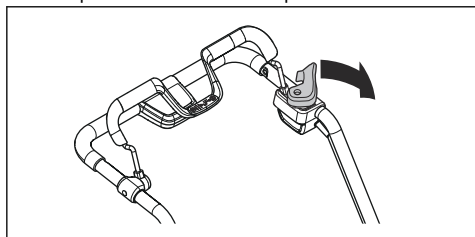


4. Mantenha-se atrás do produto.

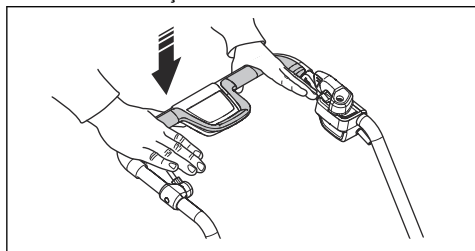
5. Prima o botão ON/OFF (A) no painel de controlo. O visor acende-se. O indicador da bateria (B) apresenta a carga das 2 baterias. O número da bateria em funcionamento é apresentado junto ao indicador de bateria. Para os modelos LC 347iV, LC 347iVX, LC 353iV, LC 353iVX, o visor também apresenta a velocidade definida.



6. Desaperte o inibidor de arranque.

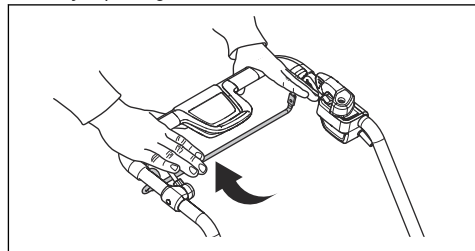


7. Empurre o manípulo de travão do motor no sentido da barra de direção.

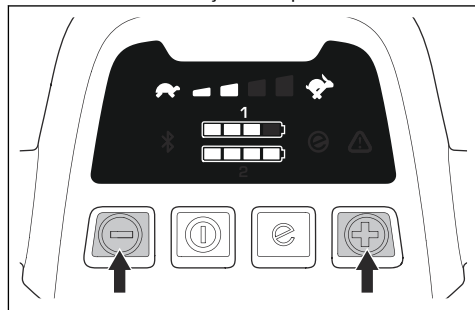


Utilizar a transmissão das rodas LC 347iV, LC 347iVX, LC 353iV, LC 353iVX

- Puxe o manípulo de direção no sentido da barra de direção para ligar a transmissão.



- Prima + e - no painel de controlo para definir a velocidade de condução em 4 passos.

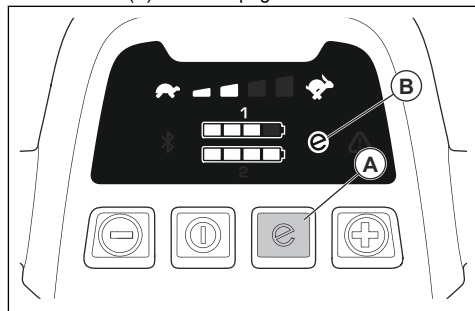


- Solte o manípulo de direção para desengatar a transmissão, por exemplo quando se aproximar de um obstáculo.

Utilizar a função

O produto inclui uma função de poupança da bateria (), que permite uma utilização mais prolongada.

1. Prima o botão (A) para ativar a função. O símbolo (B) no visor acende-se.
2. Prima novamente o botão para desativar a função. O símbolo (B) no visor apaga-se.



A função é desativada automaticamente se as condições do solo exigirem uma maior potência. A função volta a ativar-se automaticamente quando as condições do solo assim o permitirem.

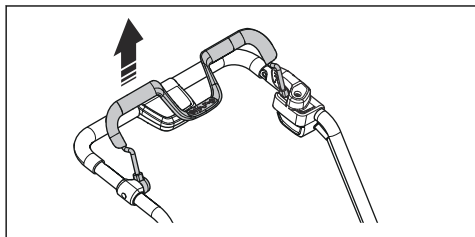
Função de carga elevada

Quando o produto estiver a cortar relva alta ou molhada, o motor aumenta automaticamente as rpm. O motor regressa ao modo padrão quando não houver carga elevada.

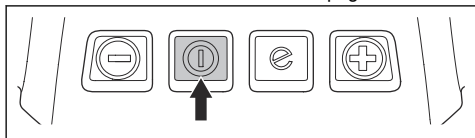
Para desligar o produto

O produto para automaticamente se não o utilizar durante 10 minutos. Rode sempre a chave de segurança para a posição 0 antes de deixar o produto fora de vista.

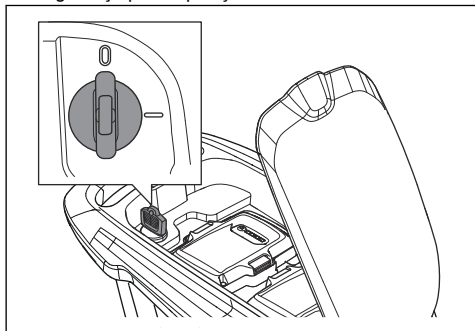
1. Solte o manípulo de travão do motor para parar o motor.



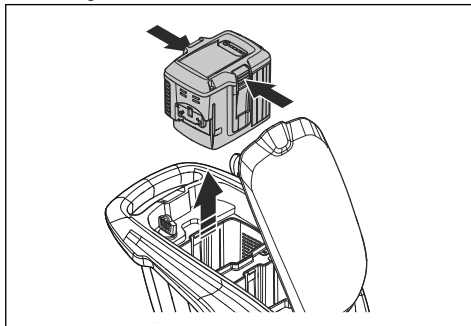
2. Prima o botão ON/OFF no painel de controlo. Todas as luzes LED e símbolos no visor apagam-se.



3. Abra a tampa da bateria e rode a chave de segurança para a posição 0.



4. Para retirar a bateria, prima os 2 botões de desengate e retire a bateria.



5. Carregue a bateria se estiver fraca. Para mais informações, consulte *Carregar a bateria na página 506*.

Para obter bons resultados

- Utilize sempre uma lâmina bem afiada. Uma lâmina romba produz um resultado irregular e a superfície de corte da relva fica amarela. Uma lâmina afiada também gasta menos energia que uma lâmina romba.
- Não corte mais do que $\frac{1}{3}$ do comprimento da relva. Corte primeiro com a altura de corte alta. Examine o resultado e reduza a altura de corte para um nível aplicável. Caso a relva esteja muito comprida, avance lentamente e corte duas vezes, se necessário.
- Corte em diferentes direções de cada vez, para evitar a formação de linhas no relvado.

Cortar relva sem coletor de relva ou tampão de trituração

- Levante a cobertura traseira e retire o coletor de relva.
- Se instalados, retire o tampão de trituração e a lâmina de trituração.
- Feche a cobertura traseira antes de utilizar o produto.

Quando utilizar o produto, a relva cortada vai para baixo da cobertura traseira.

Manutenção

Introdução



ATENÇÃO: Antes de efetuar a manutenção, tem de ler e compreender o capítulo sobre segurança.

É necessária formação especial para realizar qualquer tarefa de manutenção ou reparação. Garantimos a disponibilidade de reparações e manutenção profissionais. Se o seu revendedor não for uma oficina

autorizada, pergunte-lhes onde se situa a oficina autorizada mais próxima.

Esquema de manutenção

Os intervalos de manutenção são calculados a partir da utilização diária do produto. Os intervalos são alterados se o produto não for utilizado diariamente.

Para manutenção identificada com * consulte as instruções em *Instruções de segurança para funcionamento na página 497*.

	A cada utilização	Mensalmente	A cada estação
Efetuar uma inspeção geral	X		
Limpar o produto	X		
Verificar o inibidor de arranque*	X		
Certificar-se de que os dispositivos de segurança do produto não estão danificados*	X		
Examinar o equipamento de corte	X		
Examinar a cobertura de corte*	X		
Verificar o manípulo de travão do motor*	X		
Certificar-se de que o botão ON/OFF funciona corretamente e não está avariado	X		
Verificar a existência de danos na bateria	X		
Verificar a carga da bateria	X		
Certificar-se de que os botões de libertação da bateria funcionam corretamente e que a bateria bloqueia no produto	X		
Verificar a existência de danos no carregador da bateria e certificar-se de que funciona corretamente.		X	
Verificar as ligações entre a bateria e o produto. Verificar também a ligação entre a bateria e o carregador da bateria.			X

Para efetuar uma inspeção geral

- Certifique-se de que as porcas e os parafusos do produto estão apertados.
- Certifique-se de que os cabos no produto não estão numa posição suscetível a danos.

Limpar o produto

- Limpe os componentes plásticos com um pano seco e limpo.
- Não utilize água para limpar o produto. A água pode entrar na bateria ou no motor, provocando um curto-circuito ou danos no produto.
- Não utilize uma máquina de lavar à pressão para limpar o produto.

- Não verta água diretamente no motor.
- Utilize uma escova para remover folhas, relva e sujidade.

Para limpar a bateria e o carregador da bateria



CUIDADO: Não limpe a bateria ou o carregador com água.

- Certifique-se de que a bateria e o carregador da bateria estão limpos e secos antes de colocar a bateria no carregador da bateria.

- Limpe os terminais da bateria com ar comprimido ou com um pano macio e seco.
- Limpe as superfícies da bateria e o carregador da bateria com um pano macio e seco.

Para examinar o equipamento de corte



ATENÇÃO: Para evitar um arranque acidental, rode a chave de segurança para a posição 0, retire a bateria e aguarde pelo menos 5 segundos.



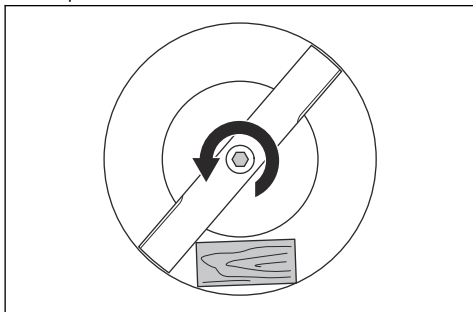
ATENÇÃO: Use luvas de proteção quando realizar a manutenção do equipamento de corte. A lâmina é muito afiada e pode facilmente provocar cortes.

1. Examine se o equipamento de corte está danificado ou se apresenta fissuras. Substitua sempre um equipamento de corte danificado.
2. Olhe para a lâmina para verificar se está danificada ou romba.

Nota: É necessário estabilizar a lâmina depois de ser afiada. Afie, substitua e estabilize a lâmina numa oficina especializada. Se atingir um obstáculo que faça o produto parar, substitua a lâmina danificada. Um centro de assistência deve avaliar se a lâmina pode ser afiada ou se tem de ser substituída.

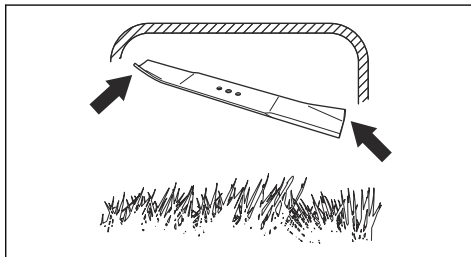
Retirar e substituir a lâmina

1. Bloqueie a lâmina com um bloco de madeira.

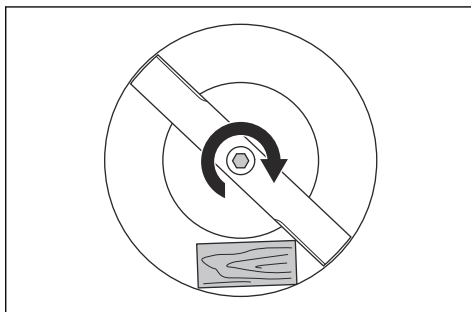


2. Remova o parafuso da lâmina.

3. Retire a lâmina.
4. Examine o suporte e o parafuso da lâmina para verificar se existem danos.
5. Examine o eixo do motor para se certificar de que não se encontra dobrado.
6. Quando colocar a lâmina nova, aponte as extremidades inclinadas da lâmina na direção da cobertura de corte.



7. Certifique-se de que a lâmina está alinhada com a parte central do eixo do motor.
8. Bloqueie a lâmina com um bloco de madeira. Prenda a arruela de pressão e aperte o parafuso e a arruela com um binário de 23-28 Nm.



9. Faça rodar a lâmina com a mão de modo a assegurar-se de que roda livremente.



ATENÇÃO: Use luvas resistentes. A lâmina é muito afiada e pode facilmente provocar cortes.

10. Ligue o produto para testar a lâmina. Se a lâmina não estiver corretamente ligada, o produto vibra ou o resultado de corte não é satisfatório.

Resolução de problemas

Bateria

LED na bateria	Avarias possíveis	Procedimento possível
LED verde intermitente	Bateria com tensão baixa	Carregue a bateria. Consulte o capítulo <i>Carregar a bateria na página 506</i> .

LED na bateria	Avarias possíveis	Procedimento possível
LED de erro intermitente	Bateria fraca	Carregue a bateria. Consulte o capítulo <i>Bateria na página 510</i> .
	Temperatura no ambiente de trabalho demasiado alta/baixa	Utilize a bateria a temperaturas entre -10 °C e 40 °C.
	Sobretensão	Verifique se a tensão da rede elétrica corresponde à indicada na etiqueta de tipo no produto. Retire a bateria do carregador da bateria. Aguarde 5 segundos e tente carregar a bateria novamente. Se o problema persistir, contacte uma oficina autorizada.
LED de erro ligado	Diferença elevada entre células (1 V)	Contacte uma oficina autorizada.

Carregador da bateria

LED no carregador da bateria	Avarias possíveis	Procedimento possível
LED de erro intermitente	Temperatura no ambiente de trabalho demasiado alta/baixa	Utilize o carregador da bateria em ambientes com temperaturas entre 5 °C e 40 °C.
LED de erro ligado		Contacte uma oficina autorizada

Painel de controlo

Teclado	Código de erro (número de intermitências)	Avarias possíveis	Ação possível
LED de erro intermitente	3	Motor sobrecarregado	Aumente a altura de corte. Consulte <i>Definir a altura de corte na página 505</i> .
	5	A velocidade do motor desce demasiado e o motor para	
	10	Controlo do motor demasiado quente	Desligue o motor e aguarde até arrefecer
	2	A lâmina está bloqueada	Para evitar um arranque acidental, rode a chave de segurança para a posição 0, retire a bateria e aguarde pelo menos 5 segundos. Certifique-se de que a lâmina consegue rodar livremente. Se o problema persistir, contacte uma oficina autorizada
	9	Bateria com erro ou sem sinal	Coloque a bateria no produto corretamente e examine o conector da bateria. Se o LED de erro da bateria ficar intermitente. Consulte <i>Bateria na página 505</i> .
O produto para	8	Bateria fraca	Carregue a bateria. Consulte <i>Carregar a bateria na página 506</i> .
	0	Avaria do conector da bateria	Examinar o conector da bateria
Outros erros	Se ocorrerem outros erros, rode a chave de segurança para a posição 0, retire a bateria e contacte uma oficina autorizada.		

Transporte, armazenamento e eliminação

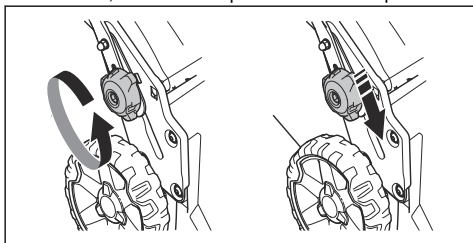
Introdução



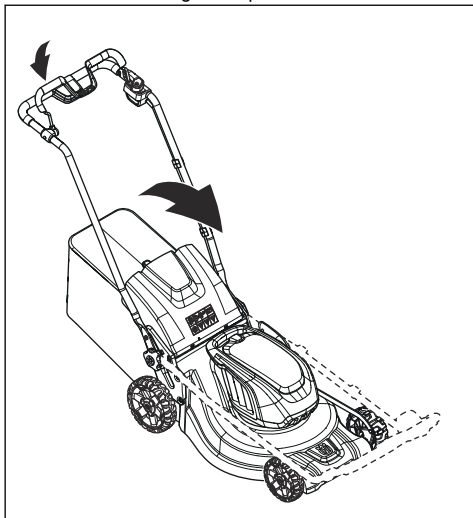
ATENÇÃO: Para evitar um arranque acidental durante o transporte, rode a chave de segurança para a posição "0", retire a bateria e aguarde pelo menos 5 segundos.

Colocar o produto na posição de transporte

1. Desaperte os manípulos inferiores.
2. Desloque os botões para a extremidade inferior das ranhuras, dos lados esquerdo e direito do produto.



3. Dobre a barra do guiador para a frente.



4. Retire o coletor de relva.

Transporte

- Os requisitos da legislação sobre mercadorias perigosas aplicam-se às baterias de íões de lítio incluídas.

- Para um transporte comercial, é necessário cumprir os requisitos especiais na embalagem e nas etiquetas.
- Quando preparar o produto para transporte, certifique-se de que cumpre os regulamentos sobre mercadorias perigosas. Podem aplicar-se normas locais.
- Retire sempre a bateria para transporte.
- Coloque fita adesiva nos conectores da bateria e certifique-se de que a bateria não pode mover-se durante o transporte.
- Prenda o produto durante o transporte.

Armazenamento

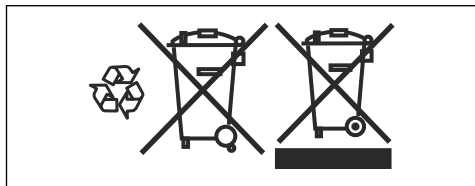
- Retire sempre a bateria durante o armazenamento.
- Para evitar acidentes, certifique-se de que a bateria não está ligada ao produto durante o armazenamento.
- Armazene o carregador da bateria apenas em espaços interiores secos.
- Armazene a bateria e o carregador da bateria num local seco, sem humidade nem gelo.
- Desligue a bateria do carregador da bateria durante o armazenamento.
- Não armazene a bateria num local onde possa haver eletricidade estática. Não armazene a bateria numa caixa metálica.
- Armazene a bateria num local onde a temperatura varie entre 5 °C e 25 °C e onde não fique exposta à luz solar.
- Armazene o carregador da bateria num local onde a temperatura varie entre 5 °C e 45 °C e onde não fique exposto à luz solar.
- Antes de armazenar a bateria durante longos períodos de tempo, certifique-se de que está carregada a 30-50%.
- Mantenha o produto, a bateria e o carregador de bateria num local fechado à chave, fora do alcance de crianças e de pessoas não autorizadas.
- Antes de armazenar o produto durante longos períodos de tempo, limpe-o e efetue uma manutenção completa do mesmo.

Eliminação

Os símbolos no produto ou na respetiva embalagem indicam que este produto não deve ser tratado como um resíduo doméstico. Tem de ser enviado para uma estação de reciclagem adequada para a recuperação de equipamentos elétricos e eletrónicos.

Ao garantir que este produto é tratado corretamente, pode ajudar a neutralizar o potencial impacto negativo sobre o meio ambiente e as pessoas, que de outra forma pode resultar da gestão incorreta dos resíduos deste produto. Para informações mais detalhadas sobre

a reciclagem deste produto, contacte o seu município, o serviço de recolha de resíduos domésticos ou a loja onde adquiriu o produto.



Especificações técnicas

Especificações técnicas

	LC 247IX/LC 247I	LC 347IVX/LC 347IV	LC 353IVX/LC 353IV
Motor de corte			
Tipo de motor	BLDC (sem escova) 36V	BLDC (sem escova) 36V	BLDC (sem escova) 36V
Velocidade do motor – SavE, rpm	2600	2600	2600
Velocidade do motor – nominal, rpm	3000	3000	3000
Velocidade do motor – carga elevada, rpm	3500	3500	3500
Potência do motor – máx. kW	0,96	0,96	1,05
Potência do motor – nominal, kW	0,75	0,75	0,9
Motor direto			
Potência do motor – nominal, kW	N/A	0,25	0,25
Velocidade de autodeslocação, km/h	N/A	3,0-4,5	3,0-4,5
Níveis de regulação de velocidade	N/A	4	4
Peso			
Peso sem bateria, kg	24	26	28
Bateria			
Tipo de bateria	Gama de equipamentos a bateria da Husqvarna	Gama de equipamentos a bateria da Husqvarna	Gama de equipamentos a bateria da Husqvarna
Tempo de operação da bateria			
Tempo de operação da bateria, mín., (operação livre) com SavE ativado, com uma bateria de 5,2 Ah (Bli200) da Husqvarna.	43	43	32
Tempo de operação da bateria, mín., (operação livre) com modo normal ativado, com uma bateria de 5,2 Ah (Bli200) da Husqvarna.	30	30	20

	LC 247IX/LC 247I	LC 347IVX/LC 347IV	LC 353IVX/LC 353IV
Emissões de ruído ⁵⁸			
Nível de potência sonora, dB(A) medidos	94	94	97
Nível de potência sonora, garantido L _{WA} dB (A)	95	95	98
Níveis acústicos ⁵⁹			
Nível de pressão sonora ao nível do ouvido do utilizador, dB (A)	82	82	86
Níveis de vibração ⁶⁰			
Punho, m/s ²	0,42	0,42	2,64
Equipamento de corte			
Altura de corte, mm	20-75 mm	20-75 mm	20-75 mm
Largura de corte, cm	47	47	53
Lâmina padrão	Recolher 5905934-10	Recolher 5905934-10	Recolher 5940757-10
Acessório da lâmina	Trituração 5907010-10	Trituração 5907010-10	Trituração 5950072-10
Capacidade do coletor de relva, litros	55	55	60

Dados de frequência de rádio para Bluetooth®	LC 247IX	LC 347IVX	LC 353IVX
Banda de frequência, GHz	2.4-2.4835	2.4-2.4835	2.4-2.4835
Potência de saída, máx. dBm	4	4	4

Baterias aprovadas	Tipo	Capacidade da bateria, Ah	Tensão, V	Peso, kg
BLi20	lões de lítio	4,0	36	2,6/1,2
BLi30	lões de lítio	7,7	36	4,2/1,9
BLi200	lões de lítio	5,2	36	2,8/1,3
BLi300	lões de lítio	9,4	36	4,1/1,9

⁵⁸ Emissões de ruído para as imediações, medidas sob forma de potência sonora (L_{WA}) em conformidade com a diretiva da CE 2000/14/CE.

⁵⁹ Os dados comunicados relativamente ao nível de pressão de ruído têm uma dispersão estatística típica (desvio padrão) de 1,2 dB (A).

⁶⁰ Os dados comunicados relativamente ao nível de vibração têm uma dispersão estatística típica (desvio padrão) de 0,2 m/s². Norma de vibração EN 60335-2-77:2017 capítulo 20.105

Carregadores aprovados para as baterias especificadas, BLi	Tensão de entrada, V	Frequência, Hz	Potência, W
QC80	100-240	50-60	80
QC80F	12	0	80
QC250	100-240	50-60	250
QC330	100-240	50-60	330
QC500	100-240	50-60	500

Declaração CE de conformidade

Declaração CE de conformidade

A **Husqvarna AB**, SE-561 82 Huskvarna, Suécia, tel: +46-36-146500, declara que o **corta-relva Husqvarna LC 247i, LC 247iX, LC 347iV, LC 347iVX, LC 353iV, LC 353iVX** de 2018 e dos anos posteriores cumpre as disposições constantes na DIRETIVA DO CONSELHO:

- de 8 de junho de 2011 relativa à "restrição do uso de determinadas substâncias perigosas" **2011/65/UE**
- de 17 de maio de 2006 "referente a máquinas" **2006/42/CE**
- de 8 de maio de 2000 "referente a emissões de ruído para o ambiente" **2000/14/CE**

Para mais informações sobre as emissões de ruído, consulte a secção *Especificações técnicas na página 513*.

Foram respeitadas as seguintes normas:

EN/IEC 60335-1, EN/IEC 60335-2-77, EN/IEC 62233, EN 55014-1, EN ETSI 301 489-7 v1.3.1, EN 61000-6,

ETSI EN 61000-6-1, EN 300 328 BT low energy Tx/Rx, EN 50581

Salvo indicação em contrário, as normas apresentadas acima são as versões publicadas mais recentes.

Entidade competente: **0404, RISE SMP Svensk Maskinprovning AB, Box 7035, SE-750 07 Uppsala** avaliou a conformidade de acordo com o Anexo VI da Diretiva 2000/14/CE.

Huskvarna, 2020-04-22



Claes Losdal, Chefe de Desenvolvimento/Produtos de Jardinagem (representante autorizado da Husqvarna AB e responsável pela documentação técnica)

Marcas comerciais registadas

A palavra e os logótipos *Bluetooth®* são marcas comerciais registadas propriedade da *Bluetooth SIG, inc.* e qualquer utilização de tais marcas pela Husqvarna é feita mediante licença.

CUPRINS

Introducere.....	517	Depanarea.....	536
Siguranță.....	520	Transportul, depozitarea și eliminarea.....	538
Asamblarea.....	529	Date tehnice.....	539
Funcționarea.....	530	Declarație de conformitate CE.....	542
Întreținerea.....	535	Mărci comerciale înregistrate.....	542

Introducere

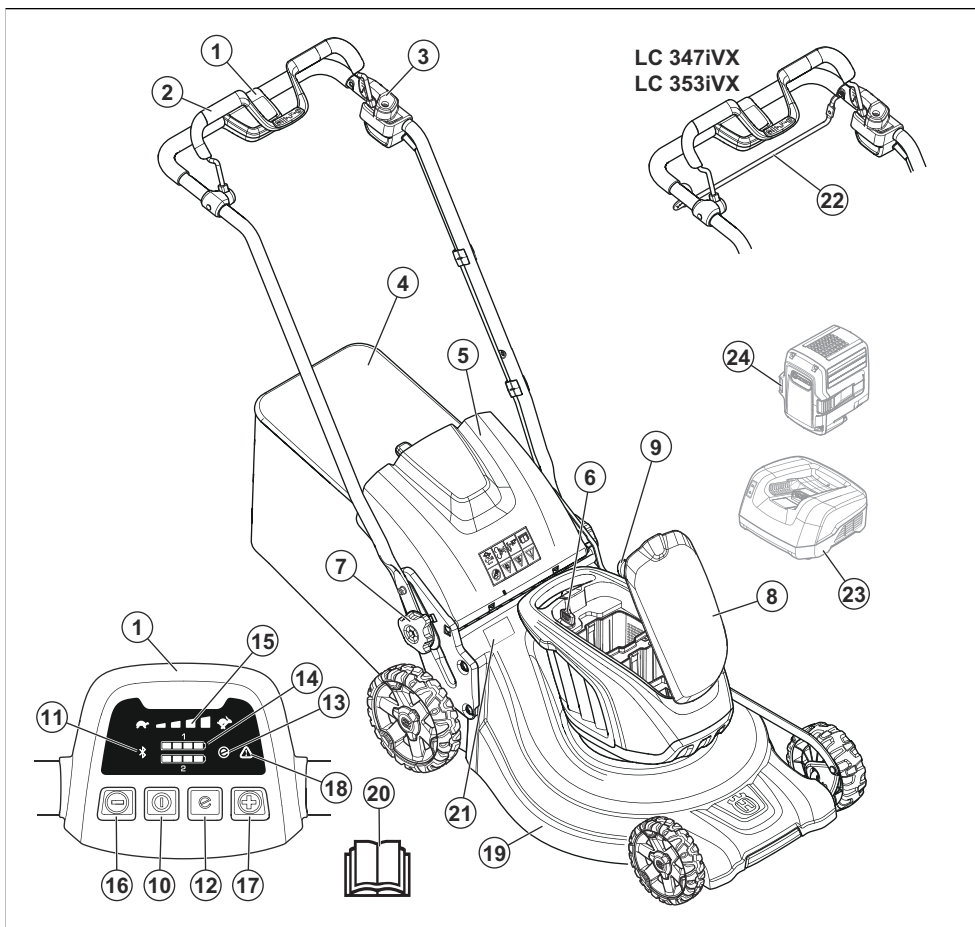
Descrierea produsului

Produsul este o mașină rotativă pentru tuns gazonul controlată de un operator-pieton. Iarba se adună într-un colector de iarbă. Demontați colectorul de iarbă pentru a efectua descărcarea ierbii prin partea posterioară a mașinii. Atașați un kit de mărunțire (accesoriu) pentru a tăia iarba și a o transforma în îngrășământ.

Domeniul de utilizare

Utilizați produsul pentru a tăia iarba. Nu utilizați produsul pentru alte sarcini.

Prezentarea generală a produsului



1. Panoul de control
2. Maneta frânei de motor
3. Inhibitorul de pornire
4. Colectorul de iarbă
5. Capac posterior
6. Cheie de siguranță
7. Rozetă pe mână
8. Capac baterie
9. Control înălțime de tăiere
10. Buton ON/OFF (Pornire/oprire)
11. Indicator pentru tehnologia wireless *Bluetooth*[®]
12. Buton SavE
13. Indicator SavE
14. Indicator pentru baterie
15. Indicator pentru nivelul vitezei (LC 347iV, LC 347iVX, LC 353iV, LC 353iVX)
16. Buton pentru reducerea vitezei (LC 347iV, LC 347iVX, LC 353iV, LC 353iVX)
17. Buton pentru mărirea vitezei (LC 347iV, LC 347iVX, LC 353iV, LC 353iVX)
18. LED de eroare
19. Capac de tăiere
20. Manualul operatorului
21. Plăcuță de identificare
22. Manetă de transmisie (LC 347iV, LC 347iVX, LC 353iV, LC 353iVX)
23. Încărcător de baterie (accesoriu)
24. Baterie (accesoriu)

Simbolurile de pe produs



AVERTISMENT!
Acționați cu grijă și utilizați corect produsul. Acest produs poate cauza vătămări corporale grave sau decesul operatorului sau al altor persoane.



Citiți cu atenție manualul operatorului și asigurați-vă că înțelegeți instrucțiunile înainte de utilizare.



Țineți persoanele și animalele la o distanță sigură de zona de lucru.



Feriți-vă de obiectele proiectate sau care ricoșează.



Avertisment: Feriți-vă mâinile și picioarele de cuțitul rotativ.



Avertisment: Feriți-vă mâinile și picioarele de piesele rotative.



Scoateți cheia de siguranță înainte de a efectua lucrări de reparații sau de întreținere.



Nu expuneți la ploaie.



Produsul sau ambalajul produsului nu poate fi tratat ca deșeu menajer. Reciclați-l la un centru de reciclare pentru echipamente electrice și electronice.



Produsul este conform cu directivele CE aplicabile.



Produsul este conform cu directivele Uniunii Vamale Euroasiatice aplicabile.



Produsul este conform cu directivele UkrSEPRO aplicabile.



Produsul este conform cu directivele RCM aplicabile. Se aplică numai pentru AU/NZ



Emisia de zgomot în mediu, conform Directivei Europene 2000/14/CE și Regulamentului New South Wales din 2017 privind operațiunile de protecție a mediului (controlul zgomotului). Datele privind emisiile de zgomot pot fi găsite pe eticheta utilajului și la capitolul Date tehnice.

IPX1 Produsul este protejat de scurgere.



Procedură de pornire: apăsați butonul ON/OFF (Pornire/Oprire), slăbiți inhibitorul de pornire, împingeți în jos maneta frânei de motor.



Eliberați maneta frânei de motor pentru oprire.



Lent



Rapid



Cod scanabil

Nota: Celelalte simboluri/etichete de pe produs se referă la cerințele de certificare pentru anumite piețe.

Etichetele de pe produs



Feriți-vă mâinile și picioarele de cuțitele rotative.

Răspunderea pentru produs

Conform prevederilor legislației privind răspunderea pentru produs, nu ne asumăm răspunderea pentru daunele cauzate de produsul nostru dacă:

- produsul este reparat necorespunzător;
- produsul este reparat cu piese care nu provin de la producător sau care nu sunt aprobate de acesta;
- produsul are un accesoriu care nu provine de la producător sau care nu este aprobat de acesta;
- produsul nu este reparat la un centru de service omologat sau de o autoritate omologată;

Siguranță

Definiții privind siguranța

Avertismentele, atenționările și notele sunt utilizate pentru a

desemna părți foarte importante din manual.



AVERTISMENT: Se utilizează dacă există risc de vătămare sau de deces pentru operator sau pentru trecători, în cazul în care instrucțiunile din manual nu sunt respectate.



ATENȚIE: Se utilizează dacă există un risc de deteriorare a produsului, a altor materiale sau a zonelor învecinate, dacă instrucțiunile din manual nu sunt respectate.

Nota: Se utilizează pentru a furniza mai multe informații care sunt necesare într-o situație dată.

Instrucțiuni generale de siguranță



AVERTISMENT: Înainte de a utiliza produsul, citiți instrucțiunile de avertizare de mai jos.

- Acest produs este periculos dacă este utilizat incorect sau dacă nu sunteți atent. Nerespectarea instrucțiunilor de siguranță poate cauza

vătămări corporale sau decesul.

- În timpul funcționării, acest produs produce un câmp electromagnetic. În anumite condiții, acest câmp poate interfera cu implanturile medicale active sau pasive. Pentru a reduce riscul de vătămări corporale grave sau mortale, recomandăm persoanelor cu implanturi medicale să consulte medicul și producătorul implantului medical înainte de a utiliza acest produs.
- Procedați întotdeauna cu atenție și folosiți-vă judecata. Dacă nu sunteți sigur cum să utilizați produsul într-o situație specială, opriți-l și adresați-vă distribuitorului Husqvarna înainte de a continua.
- Rețineți că operatorul poartă responsabilitatea privind orice accidente care implică alte persoane sau bunurile acestora.
- Păstrați produsul curat. Asigurați-vă că puteți citi clar semnele și etichetele.
- Nu lăsați niciodată copiii sau persoanele nefamiliarizate cu aceste instrucțiuni să folosească aparatul. Este

posibil ca reglementările locale să limiteze vârsta operatorului

- Monitorizați permanent o persoană cu capacități fizice sau mentale reduse care utilizează produsul. Un adult responsabil trebuie să fie prezent în permanență.
- Nu utilizați produsul atunci când sunteți obosit, bolnav sau dacă ați consumat alcool, droguri sau ați luat medicamente. Acestea vă afectează negativ acuitatea vizuală, atenția, coordonarea și judecata.
- Nu utilizați produsul dacă este defect.
- Nu modificați acest produs și nu îl utilizați dacă este posibil să fi fost modificat de către alte persoane.

Siguranța zonei de lucru



AVERTISMENT: Înainte de a utiliza produsul, citiți instrucțiunile de avertizare de mai jos.

- Înainte de a utiliza produsul, îndepărtați obiectele precum crengile, rămurelele și pietrele din zona de lucru.
- Obiectele care se lovesc de echipamentul de tăiere pot fi aruncate, provocând vătămări

corporale și pagube materiale. Țineți trecătorii și animalele la o distanță sigură de produs.

- Nu utilizați produsul pe vreme rea, de exemplu pe ceață, ploaie, vânt puternic, la temperaturi exterioare foarte scăzute și atunci când există riscul de descărcări electrice. Utilizarea produsului pe vreme nefavorabilă sau pe teren umed sau inundat este obositoare. Vremea nefavorabilă poate conduce la apariția de situații periculoase, de exemplu suprafețe alunecoase.
- Verificați dacă există persoane, obiecte și situații care pot împiedica funcționarea în siguranță a produsului.
- Atenție la obstacole, precum rădăcini, pietre, ramuri, gropi și șanțuri. În iarba înaltă se pot ascunde obstacole.
- Tunderea ierbii pe pante poate fi periculoasă. Nu tundeți pante excesiv de abrupte. Nu utilizați produsul pe pante cu înclinație mai mare de 15°
- Aveți foarte mare grijă atunci când schimbați direcția de deplasare pe pante. Utilizați produsul de-a curmezișul

pantei. Nu efectuați mișcări în sus și în jos.

- Procedați cu atenție atunci când vă apropiați de colțuri ascunse și de obiecte care blochează vederea.

Siguranța în lucru



AVERTISMENT: Înainte de a utiliza produsul, citiți instrucțiunile de avertizare de mai jos.

- Utilizați acest produs numai pentru tunderea gazonului. Nu este permisă utilizarea acestui produs pentru alte lucrări.
- Utilizați echipamentul personal de protecție. Consultați *Echipament de protecție personală la pagina 524*.
- Asigurați-vă că știți cum să opriți rapid motorul în caz de urgență.
- Nu utilizați produsul în ploaie sau în condiții de umezeală. Riscul de electrocutare crește dacă apa pătrunde în produs.
- Nu utilizați produsul decât dacă au fost montate corect cuțitul și toate capacele. Un cuțit montat incorect se poate slăbi, provocând vătămări corporale.
- Asigurați-vă că lama nu lovește obiecte, precum pietre și rădăcini. Acestea pot deteriora cuțitul și pot îndoi arborele motorului. Un ax îndoit poate genera vibrații puternice și prezintă un risc foarte ridicat de slăbire a cuțitului.
- Dacă lama lovește un obiect sau dacă observați vibrații, opriți produsul imediat. Opriți motorul, rotiți cheia de siguranță la 0 și scoateți bateria. Examinați dacă produsul este deteriorat. Reparați defecțiunile sau solicitați unui agent de service autorizat să le repare.
- Nu atășați niciodată maneta frânei de motor la mâner, în mod permanent, atunci când motorul este pornit.
- Poziționați produsul pe o suprafață stabilă, plană și porniți-l. Asigurați-vă că lama nu atinge solul sau alte obiecte.
- Stați întotdeauna în spatele produsului atunci când îl utilizați.
- Mențineți toate roțile pe sol și țineți ambele mâini pe mâner când utilizați produsul. Feriți-vă mâinile și picioarele de cuțitele rotative.
- Nu înclinați produsul când motorul este pornit.

- Fiți atent atunci când trageți produsul în spate.
- Nu ridicați niciodată produsul când motorul este pornit. Dacă trebuie să ridicați produsul, mai întâi opriți motorul, rotiți cheia de siguranță la 0 și scoateți bateria.
- Nu mergeți cu spatele în timp ce utilizați produsul.
- Opriți motorul când traversați zone fără iarbă, de exemplu alei din pietriș, piatră și asfalt.
- Nu alergați cu produsul când motorul este pornit. Întotdeauna mergeți în timp ce utilizați produsul.
- Opriți motorul înainte de a schimba înălțimea de tăiere. Nu efectuați niciodată reglaje cu motorul pornit.
- Nu lăsați niciodată produsul să iasă din câmpul vizual cu motorul pornit. Opriți motorul și asigurați-vă că echipamentul de tăiere nu se rotește.
- Echipamentele de protecție personală nu pot elimina complet riscul de rănire, însă pot reduce gravitatea rănilor în cazul unui accident. Distribuitorul vă poate ajuta să alegeți echipamentul corect.
- Utilizați întotdeauna ghete sau pantofi pentru regim greu de lucru, cu rezistență la alunecare. Nu folosiți pantofi decupați și nu operați produsul desculț.
- Utilizați pantaloni lungi, groși.
- Purtați mănuși de protecție atunci când este necesar, de exemplu atunci când conectați, inspectați sau curățați echipamentul de tăiere.

Dispozitivele de siguranță de pe produs



AVERTISMENT: Înainte de a utiliza produsul, citiți instrucțiunile de avertizare de mai jos.

Instrucțiuni de siguranță pentru utilizare

Echipament de protecție personală



AVERTISMENT: Înainte de a utiliza produsul, citiți instrucțiunile de avertizare de mai jos.

- Nu utilizați un produs cu dispozitive de siguranță deteriorate.
- Verificați regulat dispozitivele de siguranță. Dacă dispozitivele de siguranță sunt defecte, contactați

agentul de service Husqvarna.

Verificarea capacului de tăiere

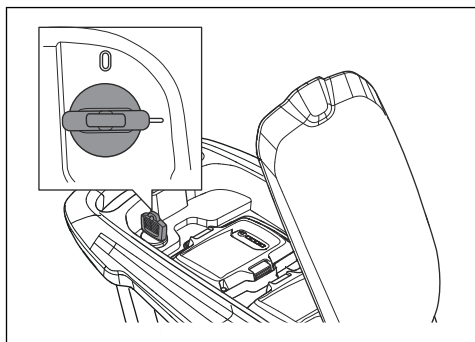
Capacul de tăiere reduce vibrațiile în produs și scade riscul de rănire de la cuștit.

- Examinați capacul de tăiere și asigurați-vă că nu există defecte, precum fisuri.

Cheie de siguranță

Cheia de siguranță este sub capacul bateriei. Cheia de siguranță conectează bateria care alimentează motorul cu energie.

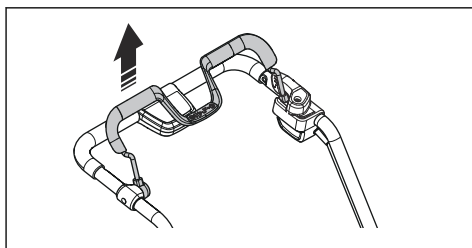
- Porniți și opriți motorul pentru a verifica cheia de siguranță.
- În cazul în care cheia de siguranță funcționează corect, motorul pornește doar atunci când cheia de siguranță este în poziția 1.



Maneta frânei de motor

Maneta frânei de motor oprește motorul. Când maneta frânei de motor este eliberată, motorul se oprește.

Pentru a efectua o inspecție a frânei de motor, porniți motorul și apoi eliberați maneta frânei de motor. Dacă motorul nu se oprește în 3 secunde, solicitați unui agent de service autorizat Husqvarna să regleze frâna de motor.

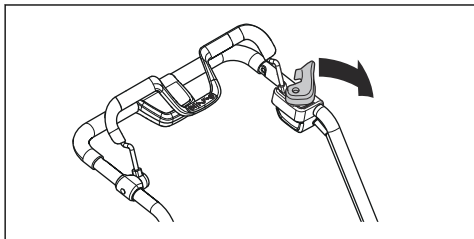


Pentru examinarea inhibitorului de pornire

Verificați inhibitorul de pornire pentru a vă asigura că acesta împiedică funcționarea demarorului.

1. Împingeți maneta frânei de motor în direcția mânerului. Inhibitorul de pornire oprește mișcarea.

2. Împingeți inhibitorul de pornire în afară.



3. Eliberați inhibitorul de pornire și asigurați-vă că revine la poziția sa inițială.

Siguranța bateriei



AVERTISMENT: Înainte de a utiliza produsul, citiți instrucțiunile de avertizare de mai jos.

- Utilizați numai baterii reîncărcabile Husqvarna ca sursă de alimentare pentru produsele Husqvarna asociate. Pentru a evita rănirea, nu folosiți bateria ca sursă de alimentare pentru alte dispozitive.
- Nu utilizați baterii nereîncărcabile.
- Risc de electrocutare. Nu conectați bornele bateriei la chei, monede, șuruburi sau alte metale. Aceasta poate cauza scurtcircuitarea bateriei.
- Nu puneți obiecte în fantele de aerisire a bateriei.

- Feriți bateria de lumina solară, de căldură sau de flăcări deschise. Bateria poate exploda și provoca arsuri și/sau arsuri chimice.
- Feriți bateria de ploaie și de condiții de umezeală.
- Feriți bateria de microunde și de înaltă presiune.
- Nu încercați să demontați sau să spargeți bateria.
- Dacă există scurgeri de lichid dintr-o baterie, nu lăsați lichidul să intre în contact cu pielea sau ochii. Dacă ați atins lichidul, curățați zona cu apă din abundență și consultați medicul.
- Utilizați bateria la temperaturi între -10°C și 40°C .
- Nu curățați niciodată bateria sau încărcătorul cu apă. Consultați *Pentru a curăța bateria și încărcătorul la pagina 535*.
- Nu utilizați o baterie defectă sau deteriorată.
- Depozitați bateriile la distanță de obiecte de metal, de exemplu cuie, monede, bijuterii.

Siguranța încărcătorului bateriei



AVERTISMENT: Înainte de a utiliza produsul, citiți

instrucțiunile de avertizare de mai jos.

- Utilizați numai încărcătoare de baterii QC pentru a încărca bateriile de schimb Husqvarna.
- Pericol de electrocutare sau de scurtcircuit. Nu puneți obiecte în fantele de aerisire a încărcătorului. Nu încercați să dezasamblați încărcătorul de baterii. Nu conectați bornele încărcătorului la obiecte metalice. Folosiți o priză de curent aprobată.
- În timpul funcționării, acest produs produce un câmp electromagnetic. În anumite condiții, acest câmp poate interfera cu implanturile medicale active sau pasive. Pentru a scădea riscul de afecțiuni care pot conduce la vătămare sau la deces, recomandăm persoanelor cu implanturi medicale să consulte medicul și producătorul implantului medical înainte de a utiliza produsul.
- Asigurați-vă periodic că cablul de alimentare al încărcătorului de baterii nu este deteriorat și că nu prezintă fisuri.
- Nu ridicați încărcătorul bateriei ținând de cablul de alimentare. Pentru a deconecta încărcătorul de baterii de la priza de perete, trageți de ștecăr. Nu trageți de cablul de alimentare.
- Țineți cablul de alimentare și prelungitoarele la distanță de apă, ulei și muchiile ascuțite. Asigurați-vă că acest cablu nu este prins în uși, garduri sau în alte locuri similare. În caz contrar, încărcătorul poate intra sub tensiune.
- Nu curățați încărcătorul de baterii folosind apă.
- Acest încărcător de baterii poate fi utilizat de către copiii cu vârsta peste 8 ani și de către persoane ce au capacități fizice, senzoriale sau mentale reduse sau care nu au experiența și cunoștințele necesare, dacă sunt supravegheate sau au primit instrucțiuni referitoare la utilizarea încărcătorului de baterii în siguranță și înțeleg riscurile implicate. Copiii nu trebuie să se joace cu încărcătorul de baterii. Curățarea și întreținerea nu se vor efectua de copii fără supraveghere.

- Nu încărcați baterii nereîncărcabile în încărcătorul de baterii.
- Nu utilizați încărcătorul de baterii în apropiere de materiale inflamabile sau materiale care pot cauza coroziune. Nu acoperiți încărcătorul bateriei. În caz de fum sau de incendiu, scoateți ștecărul încărcătorului de baterii.
- Nu utilizați un încărcător de baterii defect sau deteriorat.
- Încărcați bateria numai în interior, într-o încăpere cu aerisire adecvată și departe de lumina soarelui. Nu încărcați bateria în medii umede.
- Efectuați lucrările de întreținere în mod corect pentru a prelungi durata de viață a produsului și reduce pericolul de accidente. Lucrările de reparații profesionale trebuie efectuate de un agent de service autorizat. Discutați cu agentul de service cel mai apropiat de dvs. pentru mai multe informații.
- Efectuați numai lucrările de întreținere care se regăsesc în acest manual al operatorului. Operațiile de service mai extinse trebuie efectuate de un agent de service autorizat.

Instrucțiuni de siguranță pentru întreținere



AVERTISMENT: Înainte de a utiliza produsul, citiți instrucțiunile de avertizare de mai jos.

- Pentru a preveni pornirea accidentală în timpul operațiilor de întreținere, rotiți cheia de siguranță la 0 și scoateți bateria. Așteptați minimum 5 secunde înainte de a începe lucrările de întreținere.
- Puneți-vă mănuși de protecție rezistente atunci când utilizați echipamentul de tăiere. Cuțitul este foarte ascuțit și vă puteți tăia foarte ușor.
- Mențineți tășurile de tăiere ascuțite și curățate pentru performanță și siguranță optimă.
- Permiteți agentului de service să verifice periodic produsul și să efectueze reglajele și reparațiile necesare.
- Înlocuiți piesele deteriorate, uzate sau defecte.
- Respectați instrucțiunile privind modul de schimbare a accesoriilor. Utilizați numai

accesoriile furnizate de producător.

- Atunci când nu este în funcțiune, păstrați produsul, bateria și încărcătorul în

interior, într-un loc uscat și încuiat. Asigurați-vă că persoanele nevizitate și copiii nu au acces la produs, la baterie sau la încărcător.

Asamblarea

Introducere



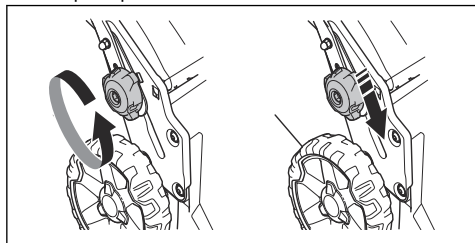
AVERTISMENT: Înainte de a asambla produsul, citiți capitolul privind siguranța.



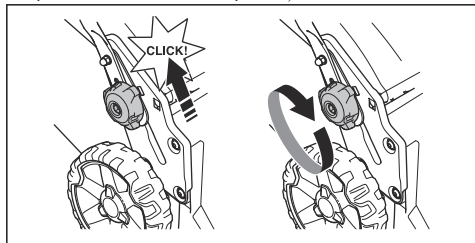
AVERTISMENT: Pentru a preveni pornirea accidentală în timpul asamblării, rotiți cheia de siguranță la 0, scoateți bateria și așteptați minimum 5 secunde.

Pentru a regla mânerul

1. Slăbiți butoanele inferioare.
2. Deplasați butoanele spre capătul inferior al canelurilor de pe partea stângă și de pe partea dreaptă a produsului.



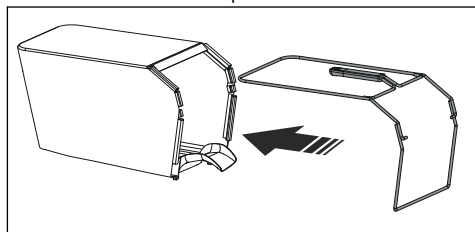
3. Setări înălțimea mânerului într-una dintre cele 2 poziții disponibile.
4. Deplasați butoanele în sus în direcția mânerului, până când acestea se opresc și se aude un clic.



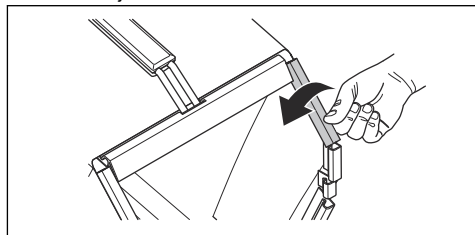
5. Strângeți rozetele până la capăt.

Asamblarea colectorului de iarbă

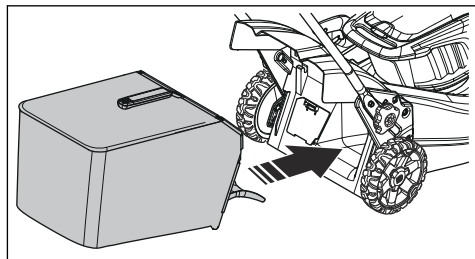
1. Prindeți cadrul colectorului de iarbă de sacul de iarbă, cu partea rigidă a sacului în jos. Mențineți mânerul cadrului deasupra sacului de iarbă.



2. Atașați partea inferioară a cadrului colectorului de iarbă în canelura de pe partea inferioară a colectorului de iarbă.
3. Prindeți sacul de iarbă de cadrul colectorului de iarbă cu ajutorul clemelor.

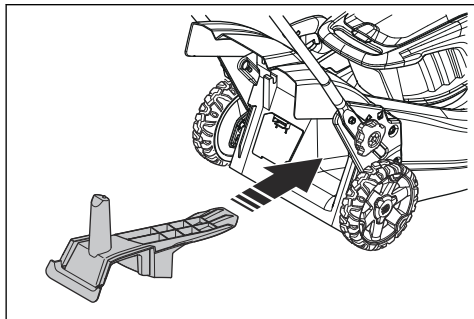


4. Ridicați capacul posterior.
5. Fixați colectorul de iarbă de marginea superioară a carcasei.
6. Introduceți partea inferioară a colectorului de iarbă în canalul de evacuare a ierbii.



Pentru asamblarea obturatorului pentru resturi vegetale (accesoriu)

1. Ridicați capacul posterior și scoateți colectorul de iarbă.
2. Introduceți obturatorul pentru resturi vegetale în canalul colector.



3. Înlocuiți cuțitul obișnuit cu un cuțit de mărunțire care este furnizat în kitul de mărunțire. Consultați *Demontarea și înlocuirea cuțitului la pagina 536.*

Funcționarea

Introducere



AVERTISMENT: Înainte de a utiliza produsul, trebuie să citiți și să înțelegeți capitolul privind siguranța.

Husqvarna Connect

Husqvarna Connect este o aplicație gratuită pentru dispozitivul dvs. mobil. Aplicația Husqvarna Connect vă oferă funcții extinse pentru produsul dvs. Husqvarna:

- Informații pe larg despre produs.
- Informații despre piese pentru produse și servicii și asistență pentru acestea.

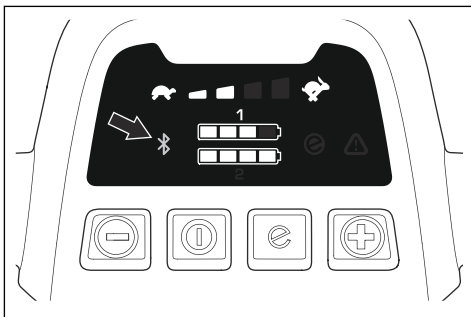
Pentru a începe să utilizați Husqvarna Connect

1. Descărcăți aplicația Husqvarna Connect pe dispozitivul dvs. mobil.
2. Înregistrați-vă în aplicația Husqvarna Connect.
3. Urmați pașii cu instrucțiuni din aplicația Husqvarna Connect pentru a conecta și înregistra produsul.

Informații despre Bluetooth® (LC 247iX, LC 347iVX, LC 353iVX)

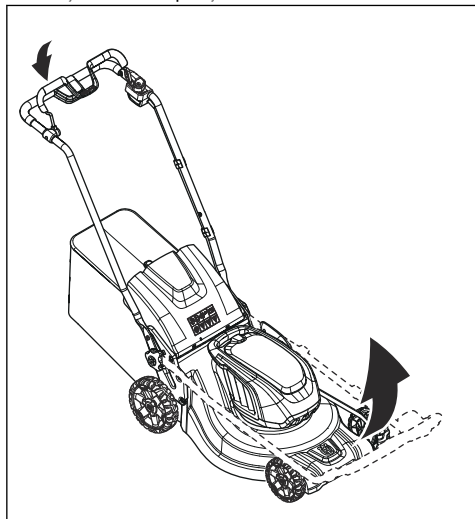
Tehnologia wireless Bluetooth®

Simbolul pentru tehnologia wireless *Bluetooth®* se aprinde când dispozitivul dvs. mobil este conectat la produs.

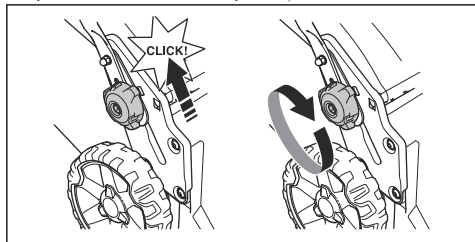


Pentru a așeza produsul în poziția de funcționare

1. Pliati mânerul în poziție verticală.



2. Deplasați butoanele în sus în direcția mânerului, până când acestea se opresc și se aude un clic.



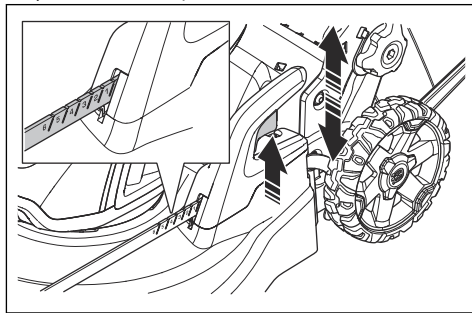
3. Strângeți rozetele până la capăt.

Pentru a seta înălțimea de tăiere

Înălțimea de tăiere poate fi reglată pe 6 nivele.

1. Deplasați în jos pârghia pentru înălțimea de tăiere, pentru a reduce înălțimea de tăiere.

2. Deplasați în sus pârghia pentru înălțimea de tăiere, pentru a mări înălțimea de tăiere.



ATENȚIE: Nu setați o înălțime de tăiere prea scăzută. Cuțitele pot atinge solul dacă suprafața gazonului nu este plană.

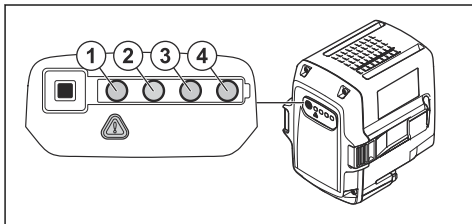
Bateria



AVERTISMENT: Înainte de a utiliza bateria, trebuie să citiți și să înțelegeți capitolul privind siguranța. Trebuie, de asemenea, să citiți și înțelegeți informațiile din manualul operatorului privind bateria și încărcătorul.

Starea bateriei

Afișajul arată capacitatea rămasă a bateriei și dacă există probleme cu aceasta. Capacitatea bateriei este afișată timp de 5 secunde după ce produsul este oprit sau după ce este apăsat butonul indicatorului. Simbolul de avertisment de pe baterie se aprinde când apare o eroare. Consultați *Bateria la pagina 536*.



Lumini LED	Stare baterie
Toate LED-urile sunt aprinse	Complet încărcată (75 - 100 %)
Sunt aprinse LED-urile 1, 2 și 3	Bateria este încărcată în proporție de 50 - 75 %
Sunt aprinse LED-urile 1 și 2	Bateria este încărcată în proporție de 25 - 50 %

Lumini LED	Stare baterie
Este aprins LED-ul 1	Bateria este încărcată în proporție de 0-25 %
LED-ul 1 se aprinde intermitent	Bateria este descărcată. Încărcați bateria.

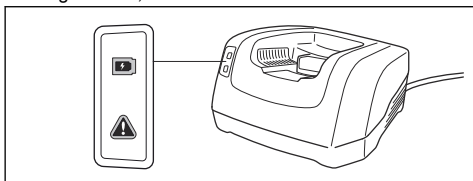
Încărcarea bateriei

Încărcați bateria înainte de prima utilizare. Bateria este încărcată în proporție de doar 30 % la livrarea către client.

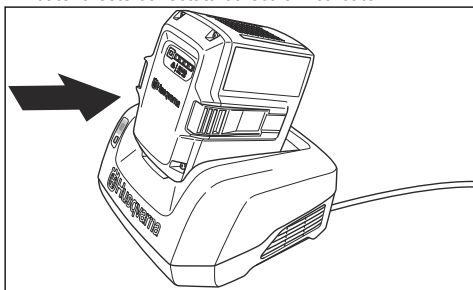
Nota: Încărcătorul trebuie conectat la o sursă de alimentare având tensiunea și frecvența specificate pe plăcuța de identificare.

Bateria nu se încarcă dacă temperatura acesteia este mai mare de 50° C. Încărcătorul de baterii reduce temperatura bateriei înainte de a începe încărcarea.

1. Conectați un capăt al cablului de alimentare al încărcătorului la mufa acestuia.
2. Conectați celălalt capăt al cablului de alimentare al încărcătorului la o priză de curent cu împământare. LED-ul de pe încărcătorul bateriei se aprinde o singură dată, în culoarea verde.



3. Introduceți bateria în încărcătorul aferent. Lumina verde de pe încărcător se aprinde atunci când bateria este conectată corect la încărcător.



4. Atunci când toate LED-urile de pe baterie sunt aprinse, bateria este încărcată complet. Încărcați bateria timp de maximum 24 de ore.
5. Pentru a decupla încărcătorul de baterii de la priza de curent, trageți de ștecher și nu de cablul de alimentare.
6. Scoateți bateria din încărcător.

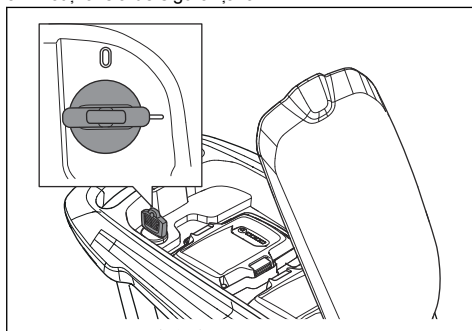
Nivelul de încărcare a bateriei

O baterie Husqvarna Li-ion poate fi încărcată sau utilizată la toate nivelurile de încărcare. Bateria nu se deteriorează. O baterie complet încărcată nu-și reduce nivelul de încărcare atunci când este lăsată în încărcător.

Afișaj LED	Nivelul de încărcare
LED-ul 1 se aprinde intermitent	0%-25%
LED-ul 1 este aprins, LED-ul 2 se aprinde intermitent	25%-50%
LED-urile 1 și 2 sunt aprinse, LED-ul 3 se aprinde intermitent	50%-75%
LED-urile 1, 2 și 3 sunt aprinse, LED-ul 4 se aprinde intermitent	75%-100%
LED-urile 1, 2, 3 și 4 sunt aprinse	Încărcată complet

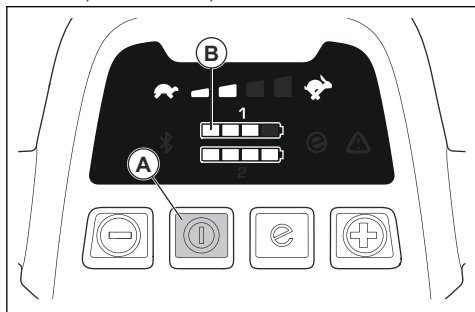
Pornirea produsului

1. Deschideți capacul bateriei.
2. Introduceți o baterie încărcată în unul dintre suporturile pentru baterii. Pentru o durată mai lungă de funcționare, puneți a doua baterie încărcată în celălalt suport pentru baterii.
3. Rotiți cheia de siguranță la 1.

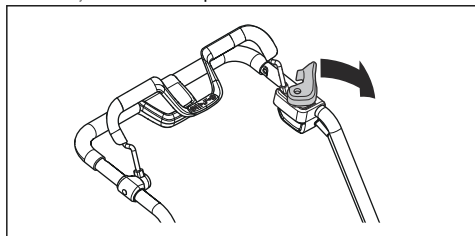


4. Stați în spatele produsului.

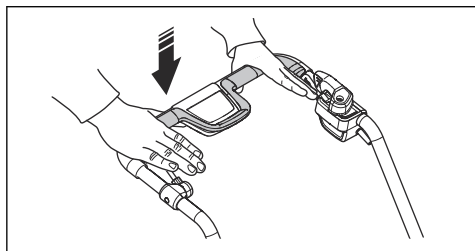
5. Apăsați butonul ON/OFF (Pornire/oprire) (A) de pe panoul de control. Afișajul se aprinde. Indicatorul bateriei (B) indică nivelul de încărcare al celor 2 baterii. Numărul de baterii care funcționează este afișat lângă indicatorul bateriei. Pentru modelele LC 347iV, LC 347iVX, LC 353iV, LC 353iVX, afișajul indică, de asemenea, viteza setată.



6. Slăbiți inhibitorul de pornire.

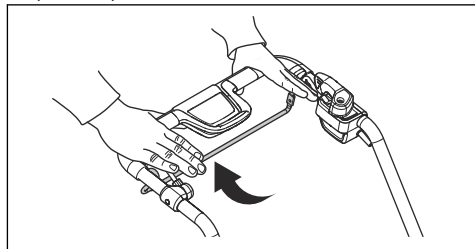


7. Împingeți maneta frânei de motor în direcția mânerului.

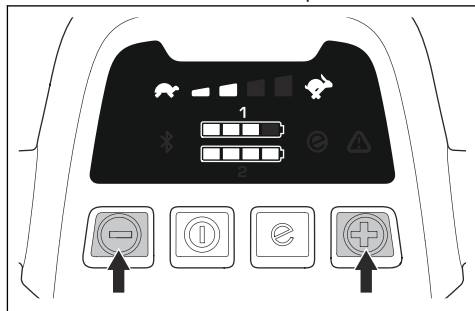


Utilizarea transmisiei pe roți LC 347iV, LC 347iVX, LC 353iV, LC 353iVX

- Trageți maneta de transmisie în direcția mânerului pentru a porni transmisia.



- Apăsați pe + și pe - de pe panoul de control, pentru a seta viteza de transmisie în 4 trepte.

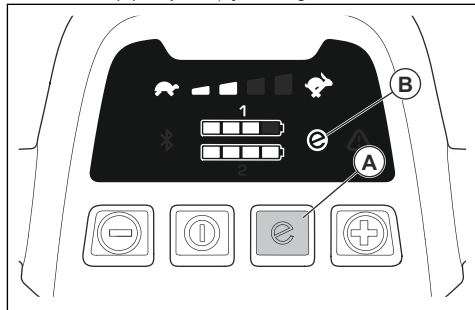


- Eliberați maneta de transmisie pentru a dezactiva transmisia, de exemplu atunci când vă apropiați de un obstacol.

Utilizarea funcției

Produsul are o funcție de economisire a bateriei (e) care îi asigură o durată mai lungă de funcționare.

- Apăsați butonul (A) pentru a porni funcția. Simbolul (B) de pe afișaj se aprinde.
- Apăsați din nou butonul pentru a opri funcția. Simbolul (B) de pe afișaj se stinge.



Funcția se dezactivează automat când condițiile la sol impun să se folosească mai multă putere. Funcția se

activează din nou automat când condițiile la sol permit acest lucru.

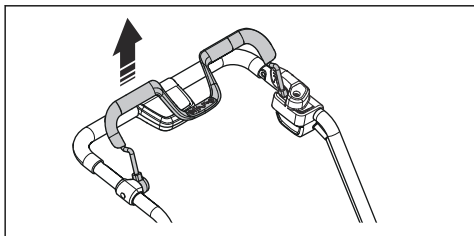
Funcționarea cu sarcină ridicată

Atunci când produsul taie iarbă lungă sau umedă, motorul își mărește automat turația. Motorul revine la modul standard când sarcina ridicată nu mai este necesară.

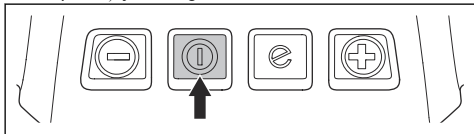
Oprirea produsului

Produsul se oprește automat dacă nu-l utilizați timp de 10 minute. Rotiți întotdeauna cheia de siguranță la 0 înainte să lăsați produsul să iasă din câmpul vizual.

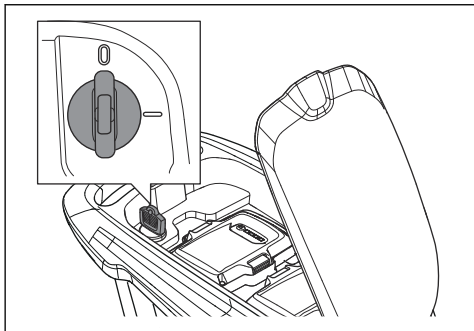
1. Eliberați maneta frânei de motor pentru a opri motorul.



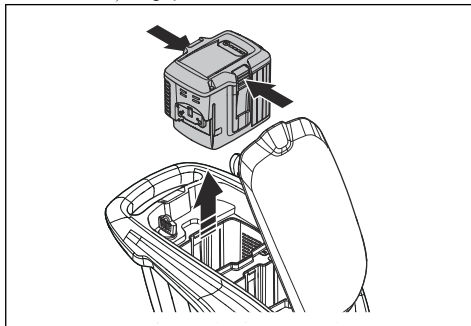
2. Apăsăți butonul ON/OFF (Pornire/oprire) de pe panoul de control. Toate luminile LED și simbolurile de pe afișaj se sting.



3. Deschideți capacul bateriei și rotiți cheia de siguranță la 0.



4. Pentru a scoate bateria, apăsați cele 2 butoane de eliberare și trageți bateria în afară.



5. Încărcați bateria dacă este slabă. Pentru mai multe informații, consultați *Încărcarea bateriei la pagina 532*.

Pentru a obține rezultate bune

- Utilizați întotdeauna o lamă ascuțită. O lamă tocită oferă rezultate neregulate, iar suprafața tăiată a ierbii se îngălbenește. De asemenea, o lamă ascuțită folosește mai puțină energie decât o lamă tocită.
- Nu tăiați niciodată mai mult de 1/3 din lungimea ierbii. Inițial, tundeți cu o înălțime mare de tăiere. Verificați rezultatul și coborâți înălțimea de tăiere la un nivel convenabil. Dacă iarba este foarte înaltă, deplasați aparatul încet și tundeți de două ori, dacă este necesar.
- Tăiați de fiecare dată în altă direcție, pentru a preveni formarea de dungi pe gazon.

Tăierea ierbii fără a instala colectorul de iarbă sau obturatorul pentru resturi vegetale

- Ridicați capacul posterior și scoateți colectorul de iarbă.
- Dacă obturatorul pentru resturi vegetale și cuțitul de mărunțire sunt atașate, îndepărtați-le.
- Închideți capacul posterior, înainte de utilizarea produsului.

Atunci când utilizați produsul, iarba tăiată este evacuată pe sub capacul posterior.

Întreținerea

Introducere



AVERTISMENT: Înainte de a efectua orice operații de întreținere, citiți și înțelegeți capitolul privind siguranța.

Toate lucrările de service și de reparații la produs necesită instruire specială. Garantăm disponibilitatea unor lucrări profesionale de reparații și service. Dacă distribuitorul dvs. nu este agent de service, solicitați

acestui agent de informații cu privire la cel mai apropiat agent de service.

Program de întreținere

Intervalele de întreținere sunt calculate având în vedere o utilizare zilnică a produsului. Intervalele se modifică dacă produsul nu este utilizat zilnic.

Pentru operațiile de întreținere marcate cu *, consultați instrucțiunile din *Instrucțiuni de siguranță pentru utilizare la pagina 524*.

	La fiecare utilizare	Lunar	În fiecare sezon
Efectuați o inspecție generală	X		
Curățați produsul	X		
Verificați inhibitorul de pornire *	X		
Asigurați-vă că dispozitivele de siguranță de pe produs nu sunt defecte *	X		
Examinați echipamentul de tăiere	X		
Examinați capacul de tăiere *	X		
Verificați maneta frânei de motor *	X		
Asigurați-vă că butonul de pornire/oprire funcționează corect și nu este defect	X		
Verificați dacă bateria este deteriorată	X		
Verificați nivelul de încărcare a bateriei	X		
Asigurați-vă că butoanele de eliberare de pe baterie funcționează corect și că bateria este fixată în produs	X		
Verificați dacă încărcătorul de baterii nu prezintă deteriorări și asigurați-vă că funcționează corect.		X	
Examinați conexiunile dintre baterie și produs. Examinați, de asemenea, conexiunea dintre baterie și încărcător.			X

Pentru a efectua o inspecție generală

- Asigurați-vă că șuruburile și piulițele produsului sunt strânse.
- Asigurați-vă că cablurile de pe produs nu sunt într-o poziție în care să poată fi deteriorate.

Curățarea produsului

- Curățați componentele din plastic cu o cârpă curată și uscată.
- Nu utilizați apă pentru a curăța produsul. Apa poate pătrunde în baterie sau în motor și poate provoca scurtcircuite sau poate avaria produsul.
- Nu utilizați o instalație de spălare cu presiune ridicată pentru a curăța produsul.

- Nu stropiți niciodată direct motorul cu apă.
- Folosiți o perie pentru a elimina frunzele, iarba și murdăria.

Pentru a curăța bateria și încărcătorul



ATENȚIE: Nu curățați niciodată bateria sau încărcătorul cu apă.

- Asigurați-vă că bateria și încărcătorul sunt curate și uscate înainte să introduceți bateria în încărcător.
- Curățați bornele bateriei cu aer comprimat sau cu o cârpă moale și uscată.

- Curățați suprafețele bateriei și încărcătorul cu o cârpă moale și uscată.

Pentru a examina echipamentul de tăiere



AVERTISMENT: Pentru a preveni pornirea accidentală, rotiți cheia de siguranță la 0, scoateți bateria și așteptați cel puțin 5 secunde.



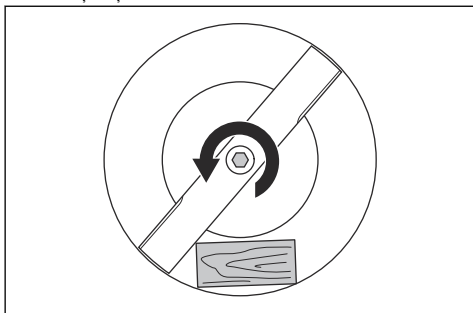
AVERTISMENT: Purtați mănuși de protecție când efectuați întreținerea echipamentului de tăiere. Cuțitul este foarte ascuțit și vă puteți tăia foarte ușor.

1. Examinați echipamentul de tăiere pentru a identifica eventuale deteriorări sau crăpături. Înlocuiți întotdeauna un echipament de tăiere deteriorat.
2. Observați cuțitul pentru a vedea dacă este deteriorat sau tocit.

Nota: După ascuțirea cuțitului, acesta trebuie echilibrat. Solicitați unui centru de service să ascuță, să monteze la loc și să echilibreze cuțitul. Dacă loviți un obstacol care determină produsul să se oprească, înlocuiți cuțitul deteriorat. Solicitați centrului de service să estimeze dacă lama poate fi ascuțită sau trebuie înlocuită.

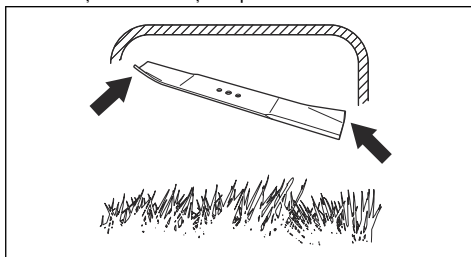
Demontarea și înlocuirea cuțitului

1. Blocați cuțitul cu o bucată de lemn.

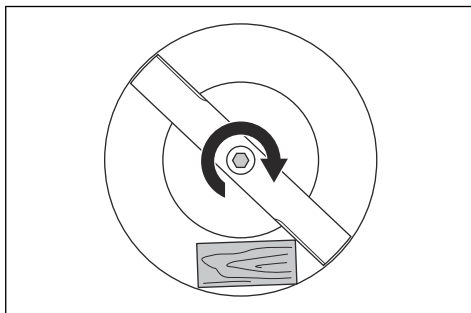


2. Scoateți bolțul cuțitului.

3. Demontați cuțitul.
4. Examinați suportul cuțitului și bolțul acestuia pentru a vedea dacă există deteriorări.
5. Examinați arborele motorului, pentru a vă asigura că nu s-a îndoit.
6. Când montați un cuțit nou, îndreptați capetele oblice ale cuțitului în direcția capacului de tăiere.



7. Asigurați-vă că lama este aliniată cu centrul arborelui motorului.
8. Blocați cuțitul cu o bucată de lemn. Montați șaiba elastică și strângeți bolțul și șaiba la un cuplu cuprins între 23 -28 Nm.



9. Învârțiți cuțitul cu mâna și asigurați-vă că se rotește liber.



AVERTISMENT: Purtați mănuși de protecție rezistente. Cuțitul este foarte ascuțit și vă puteți tăia foarte ușor.

10. Porniți produsul pentru a efectua un test al cuțitului. Dacă acesta nu este fixat corect, produsul vibrează sau rezultatele sunt nesatisfăcătoare.

Depanarea

Bateria

LED pe baterie	Erori posibile	Procedură posibilă
LED-ul verde se aprinde intermitent	Tensiunea bateriei este redusă	Încărcați bateria. Consultați <i>Încărcarea bateriei la pagina 532.</i>

LED pe baterie	Erori posibile	Procedură posibilă
LED-ul de eroare se aprinde intermitent	Bateriei este aproape descărcată	Încărcați bateria. Consultați <i>Bateria la pagina 536</i> .
	Temperatura din mediul de lucru este prea mare sau prea mică	Utilizați bateria la temperaturi între -10°C și 40°C.
	Supratensiune	Verificați dacă tensiunea rețelei de alimentare este la fel cu cea indicată pe plăcuța de identificare de pe produs. Scoateți bateria din încărcător. Așteptați 5 secunde și încercați din nou să încărcați bateria. Dacă problema persistă, discutați cu un agent de servicii autorizat.
LED-ul de eroare este aprins	Diferență prea mare între baterii (1 V)	Discutați cu un agent de servicii autorizat.

Încărcător pentru acumulator

LED-ul de pe încărcătorul de baterii	Erori posibile	Procedură posibilă
LED-ul de eroare se aprinde intermitent	Temperatura din mediul de lucru este prea mare sau prea mică	Utilizați încărcătorul de baterii la temperaturi între 5 °C și 40 °C.
LED-ul de eroare este aprins		Discutați cu un agent de servicii autorizat

Panoul de control

Tastatură	Cod de eroare (număr de aprinderi intermitente)	Erori posibile	Acțiune posibilă
LED-ul de eroare se aprinde intermitent	3	Motorul este supraîncărcat	Măriți înălțimea de tăiere. Consultați <i>Pentru a seta înălțimea de tăiere la pagina 531</i> .
	5	Turația motorului scade prea mult și motorul se oprește	
	10	Controlul motorului este prea fierbinte	Opriți motorul și așteptați până când acesta se răcește
	2	Lama este blocată	Pentru a preveni pornirea accidentală, rotiți cheia de siguranță la 0, scoateți bateria și așteptați cel puțin 5 secunde. Asigurați-vă că cuțitul se poate roti liber. Dacă problema persistă, discutați cu un agent de servicii autorizat
	9	Eroare la nivelul bateriei sau nu există semnal de la baterie	Instalați bateria corect în produs și examinați conectorul bateriei. Dacă LED-ul de eroare de pe baterie se aprinde intermitent, consultați <i>Bateria la pagina 531</i> .
Produsul se oprește	8	Bateriei este aproape descărcată	Încărcați bateria. Consultați <i>Încărcarea bateriei la pagina 532</i> .
	0	Defecțiune la nivelul conectorului bateriei	Examinați conectorul bateriei

Tastatură	Cod de eroare (număr de aprinderi intermitente)	Erori posibile	A acțiune posibilă
Alte erori	Dacă alte apar erori, rotiți cheia de siguranță la 0, scoateți bateria și contactați un agent de servicii autorizat.		

Transportul, depozitarea și eliminarea

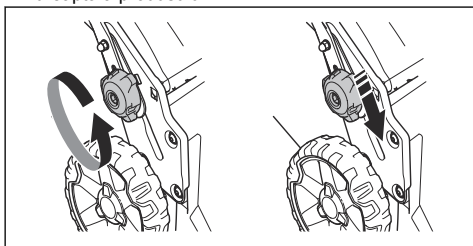
Introducere



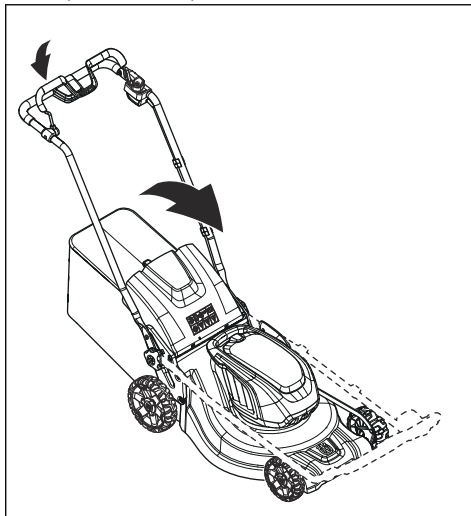
AVERTISMENT: Pentru a preveni pornirea accidentală în timpul transportului, rotiți cheia de siguranță la 0, scoateți bateria și așteptați minimum 5 secunde.

Așezarea produsului în poziția pentru transport

1. Slăbiți butoanele inferioare.
2. Deplasați butoanele spre capătul inferior al canelurilor de pe partea stângă și de pe partea dreaptă a produsului.



3. Pliăți mânerul în față.



4. Scoateți colectorul de iarbă.

Transportul

- Cerințele din legislația privind bunurile periculoase se aplică pentru bateriile Li-ion incluse.
- Pentru transporturile comerciale cerințele speciale de pe ambalaj și etichete trebuie respectate.
- Respectați cu atenție reglementările privind materialele periculoase atunci când pregătiți produsul pentru transport. Pot exista reglementări locale aplicabile.
- Înainte de transport scoateți întotdeauna bateria.
- Aplicați bandă pe bornele bateriei și asigurați-vă că aceasta nu se poate deplasa în timpul transportului.
- Fixați produsul în timpul transportului.

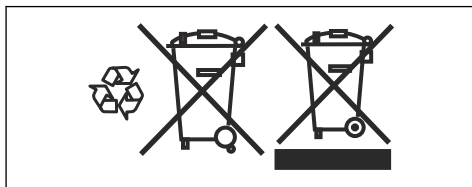
Depozitarea

- Înainte de depozitare scoateți întotdeauna bateria.
- Pentru a preveni accidentele, asigurați-vă că bateria nu este conectată la produs în timpul depozitării.
- Păstrați încărcătorul într-un spațiu închis și uscat.

- Păstrați bateria și încărcătorul de baterie într-un spațiu uscat unde nu pătrunde umezeala sau înghețul.
- Deconectați bateria de la încărcător în timpul depozitării.
- Nu depozitați bateria într-un loc unde poate apărea electricitatea statică. Nu depozitați bateria într-o cutie metalică.
- Păstrați bateria într-un loc unde temperatura este cuprinsă între 5 °C și 25 °C și departe de lumina soarelui.
- Păstrați încărcătorul de baterii într-un loc unde temperatura este cuprinsă între 5 °C și 45 °C și departe de lumina soarelui.
- Asigurați-vă că bateria este încărcată în proporție de 30 % - 50 % înainte de a o depozita pe o perioadă lungă.
- Păstrați produsul, bateria și încărcătorul de baterii într-un loc încuiat, la care nu au acces copiii și persoanele neavizate.
- Curățați produsul și efectuați un service complet înainte de a depozita produsul pentru o perioadă lungă de timp.

menajer. Trebuie trimis la un centru de reciclare corespunzător pentru recuperarea echipamentelor electrice și electronice.

Asigurându-vă că aveți grijă de acest produs în mod corect, puteți contribui la neutralizarea impactului negativ potențial asupra mediului înconjurător și asupra persoanelor; în caz contrar, putând conduce la gestionarea incorectă a deșeurilor acestui produs. Pentru informații mai detaliate referitoare la reciclarea acestui produs, contactați autoritățile, serviciul pentru deșeurii menajere sau magazinul de unde ați achiziționat produsul.



Dezafectarea

Simbolurile de pe produs sau de pe ambalajul acestuia indică faptul că acest produs nu poate fi tratat ca deșeu

Date tehnice

Date tehnice

	LC 247IX/LC 247I	LC 347IVX/LC 347IV	LC 353IVX/LC 353IV
Motorul de tăiere			
Tip de motor	BLDC (fără perii) 36 V	BLDC (fără perii) 36 V	BLDC (fără perii) 36 V
Turația motorului - SavE, rot/min	2600	2600	2600
Turația motorului - Valoarea nominală, rot/min	3000	3000	3000
Turația motorului - Sarcină ridicată, rot/min	3500	3500	3500
Putere motor - Valoare max., kW	0,96	0,96	1,05
Putere motor - Valoare nominală, kW	0,75	0,75	0,9
Motorul de antrenare			
Putere motor - Valoare nominală, kW	N/A	0,25	0,25
Viteză de deplasare independentă, km/h	N/A	3 - 4,5	3 - 4,5
Nivelurile de reglare a vitezei	N/A	4	4
Greutate			
Greutatea fără baterie, kg	24	26	28
Baterie			

	LC 247iX/LC 247i	LC 347iVX/LC 347iV	LC 353iVX/LC 353iV
Tip de baterie	Seria Battery Husqvarna	Seria Battery Husqvarna	Seria Battery Husqvarna
Durata de utilizare a bateriei			
Durata de utilizare a bateriei, min, (funcționare liberă) cu funcția SavE activată, cu o baterie Husqvarna de 5,2 Ah (Bli200).	43	43	32
Durata de utilizare a bateriei, min, (funcționare liberă) cu modul standard activat, cu o baterie Husqvarna de 5,2 Ah (Bli200).	30	30	20
Emisii de zgomot ⁶¹			
Nivel de putere acustică măsurat dB(A)	94	94	97
Nivel de putere acustică garantat L _{WA} dB(A)	95	95	98
Niveluri de zgomot ⁶²			
Nivel de presiune a sunetului la urechea operatorului, dB(A)	82	82	86
Niveluri de vibrații ⁶³			
Măner, m/s ²	0,42	0,42	2,64
Echipament de tăiere			
Înălțime de tăiere, mm	20-75 mm	20-75 mm	20-75 mm
Lățime de tăiere, cm	47	47	53
Standard lamă	Colectare 5905934-10	Colectare 5905934-10	Colectare 5940757-10
Accesoriu lamă	Mărunțire 5907010-10	Mărunțire 5907010-10	Mărunțire 5950072-10
Capacitate colector de iarbă, litri	55	55	60

Date de frecvență radio pentru Bluetooth®	LC 247iX	LC 347iVX	LC 353iVX
Bandă de frecvență, GHz	2,4-2,4835	2,4-2,4835	2,4-2,4835
Putere de ieșire, max. dBm	4	4	4

⁶¹ Emisiile de zgomot în mediu măsurate ca putere acustică (L_{WA}) în conformitate cu directiva CE 2000/14/CE.

⁶² Datele raportate pentru presiunea nivelului de zgomot prezintă o distribuție statistică tipică (abatere standard) de 1,2 dB(A).

⁶³ Datele raportate pentru nivelul de vibrații prezintă o dispersie statistică tipică (abatere standard) de 0,2 m/s². Standardul privind vibrațiile EN 60335-2-77:2017, capitolul 20.105

Baterii aprobate	Tip	Capacitate baterie, Ah	Tensiune, V	Greutate, lb/kg
BLi20	Litiu-ion	4,0	36	2,6/1,2
BLi30	Litiu-ion	7,7	36	4,2/1,9
BLi200	Litiu-ion	5,2	36	2,8/1,3
BLi300	Litiu-ion	9,4	36	4,1/1,9

Încărcătoarele aprobate pentru bateriile specificate, BLi	Tensiune de intrare, V	Frecvență, Hz	Putere, W
QC80	100-240	50-60	80
QC80F	12	0	80
QC250	100-240	50-60	250
QC330	100-240	50-60	330
QC500	100-240	50-60	500

Declarație de conformitate CE

Declarație de conformitate CE

Husqvarna AB, SE-561 82 Huskvarna, Suedia, tel.: +46-36-146500, declară că **mașina pentru tuns gazonul Husqvarna LC 247i, LC 247iX, LC 347iV, LC 347iVX, LC 353iV, LC 353iVX** din anul 2018 și ulterior, respectă cerințele DIRECTIVEI CONSILIULUI:

- din 8 iunie 2011 privind „restricțiile de utilizare a anumitor substanțe periculoase” **2011/65/UE**.
- din 17 mai 2006 „referitoare la utilaje” **2006/42/CE**
- din 8 mai 2000 „referitoare la emisiile de zgomot în mediul înconjurător” **2000/14/CE**

Pentru informații privind emisiile de zgomot, vezi secțiunea *Date tehnice la pagina 539*.

Au fost aplicate următoarele standarde:

EN/IEC 60335-1, EN/IEC 60335-2-77, EN/IEC 62233, EN 55014-1, EN ETSI 301 489-7 v1.3.1, EN 61000-6, ETSI EN 61000-6-1, EN 300 328 BT low energy Tx/Rx, EN 50581

În absența altor indicații, standardele menționate mai sus reprezintă cele mai recente versiuni publicate.

Organismul notificat: **0404, RISE SMP Svensk Maskinprovning AB, Box 7035, SE-750 07 Uppsala a**

efectuat evaluarea conformității potrivit Anexei VI din directiva 2000/14/CE.

Huskvarna, 2020-04-22



Claes Losdal, Director de Dezvoltare/Produse pentru grădină (reprezentant autorizat al Husqvarna AB și responsabil cu documentația tehnică)

Mărci comerciale înregistrate

Marca și siglele *Bluetooth®* sunt mărci comerciale înregistrate ale *Bluetooth SIG, inc.*, iar utilizarea lor de Husqvarna se face sub licență.

Содержание

Введение.....	543	Поиск и устранение неисправностей.....	566
Безопасность.....	547	Транспортировка, хранение и утилизация.....	567
Сборка.....	558	Технические данные.....	569
Эксплуатация.....	559	Декларация соответствия ЕС.....	572
Техническое обслуживание.....	564	Зарегистрированные товарные знаки.....	572

Введение

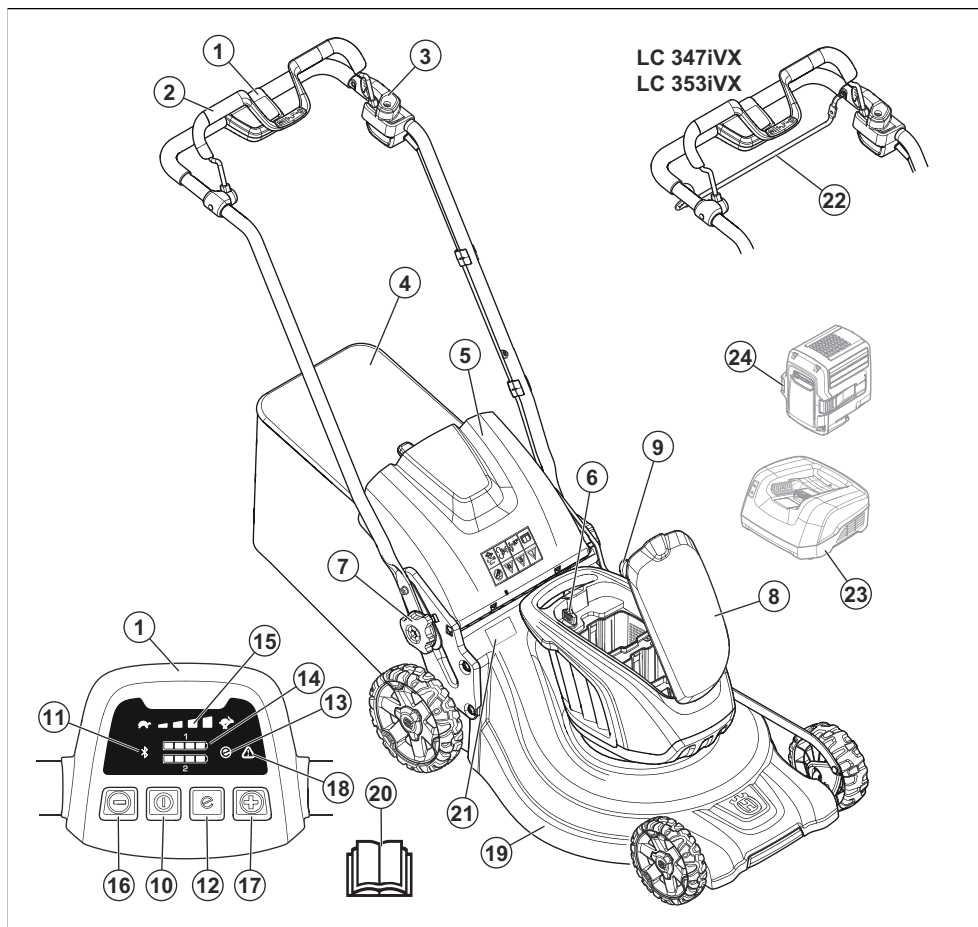
Описание изделия

Изделие представляет собой пешеходную роторную газонокосилку. Трава собирается в травосборник. Снимите травосборник, чтобы трава отбрасывалась назад. Установите комплект для мульчирования (дополнительная принадлежность), чтобы использовать скошенную траву в качестве удобрения.

Назначение

Используйте изделие для стрижки травы. Запрещается использовать изделие для других видов работ.

Обзор изделия



- | | |
|---|---|
| 1. Панель управления | 15. Индикатор уровня скорости (LC 347iV, LC 347iVX, LC 353iV, LC 353iVX) |
| 2. Ручьятка моторного тормоза | 16. Кнопка уменьшения скорости (LC 347iV, LC 347iVX, LC 353iV, LC 353iVX) |
| 3. Ограничитель запуска | 17. Кнопка увеличения скорости (LC 347iV, LC 347iVX, LC 353iV, LC 353iVX) |
| 4. Травосборник | 18. Светодиодный индикатор ошибки |
| 5. Задняя крышка | 19. Режущая дека |
| 6. Предохранительный ключ | 20. Руководство по эксплуатации |
| 7. Регулятор ручьятки | 21. Паспортная табличка |
| 8. Крышка аккумулятора | 22. Петля привода (LC 347iV, LC 347iVX, LC 353iV, LC 353iVX) |
| 9. Рычаг регулировки высоты стрижки | 23. Зарядное устройство аккумулятора (принадлежность) |
| 10. Кнопка вкл./выкл. | 24. Аккумулятор (принадлежность) |
| 11. Индикатор беспроводной технологии <i>Bluetooth®</i> | |
| 12. Кнопка Save | |
| 13. Индикатор Save | |
| 14. Индикатор аккумулятора | |

Условные обозначения на изделии



ПРЕДУПРЕЖДЕНИЕ!
Соблюдайте осторожность и правила эксплуатации изделия. Изделие может стать причиной тяжелой травмы или смерти оператора и окружающих.



Перед началом работы внимательно прочитайте руководство по эксплуатации и убедитесь, что понимаете приведенные здесь инструкции.



Следите за тем, чтобы в зоне проведения работ не было посторонних людей или животных.



Берегитесь отскакивающих предметов и рикошетов.



Предупреждение: Не приближайте руки или ноги к вращающемуся ножу.



Предупреждение: Не приближайте руки или ноги к вращающимся частям.



Извлеките предохранительный ключ перед выполнением ремонта или технического обслуживания.



Не оставлять под дождем.



Данное изделие и его упаковка не могут быть утилизированы в качестве бытовых отходов. Изделие необходимо передать в пункт переработки электрического и электронного оборудования.



Данное изделие отвечает требованиям соответствующих директив ЕС.



Данное изделие отвечает требованиям соответствующих директив Таможенного союза ЕАЭС.



Данное изделие отвечает требованиям соответствующих директив УкрСЕПРО.



Данное изделие отвечает требованиям соответствующих директив RCM. Применимо только для Австралии/Новой Зеландии



Эмиссия шума в окружающую среду согласно Директиве Европейского союза 2000/14/ЕС и законодательству Нового Южного Уэльса "Регламент 2017 года по защите окружающей среды (контроль уровня шума)". Данные об эмиссии шума приведены на паспортной табличке

агрегата и в разделе "Технические данные".

IPX1 Данное изделие имеет защиту от брызг.

Процедура запуска: нажмите кнопку вкл./выкл., разблокируйте ограничитель запуска, прижмите рукоятку моторного тормоза.



Для остановки отпустите рукоятку моторного тормоза.



Медленно



Быстро



Сканируемый код

Примечание: Другие символы/наклейки на изделии относятся к специальным требованиям сертификации на определенных рынках.

Табличка на изделия



Не приближайте руки или ноги к вращающимся ножам.

Ответственность изготовителя

В соответствии с законами об ответственности изготовителя мы не несем ответственности за ущерб, вызванный эксплуатацией нашего изделия в результате:

- ненадлежащего ремонта изделия;
- использования для ремонта изделия неоригинальных деталей или деталей, не одобренных производителем;
- использования неоригинальных дополнительных принадлежностей или принадлежностей, не одобренных производителем;
- ремонта изделия в неавторизованном сервисном центре или неквалифицированным специалистом;

Безопасность

Инструкции по технике безопасности

Предупреждения, предостережения и примечания используются для выделения особо важных пунктов руководства.



ПРЕДУПРЕЖДЕНИЕ:

Используется, когда несоблюдение инструкций руководства может привести к травмам или смерти оператора или находящихся рядом посторонних лиц.



ВНИМАНИЕ:

Используется, когда несоблюдение

инструкций руководства может привести к повреждению изделия, других материалов или прилегающей территории.

Примечание: Используется для предоставления дополнительных сведений о конкретной ситуации.

Общие инструкции по технике безопасности



ПРЕДУПРЕЖДЕНИЕ: В обязательном порядке прочитайте следующие инструкции по технике безопасности, прежде

чем приступать к эксплуатации изделия.

- При небрежном или неправильном обращении изделие может оказаться опасным инструментом. Несоблюдение инструкций по технике безопасности может привести к травмам или смерти.
- Во время работы данное изделие создает электромагнитное поле. В определенных обстоятельствах это поле может создавать помехи для пассивных и активных медицинских имплантатов. В целях снижения риска серьезной или смертельной травмы лицам с медицинскими имплантатами рекомендуется проконсультироваться с врачом и изготовителем имплантата, прежде чем приступать к эксплуатации данного изделия.
- Будьте всегда осторожны и руководствуйтесь здравым смыслом. Если вы не уверены, как правильно эксплуатировать изделие в определенной ситуации, прекратите работу и проконсультируйтесь со своим дилером Husqvarna, прежде чем продолжить.
- Помните: ответственность за аварии, угрожающие другим людям или их имуществу, несет оператор.
- Содержите изделие в чистоте. Следите за тем, чтобы знаки и наклейки были легко читаемыми.
- Ни в коем случае не позволяйте использовать оборудование детям или лицам, не ознакомившимся с данными инструкциями. Допустимый возраст пользователя может быть ограничен местным законодательством.
- Не оставляйте без присмотра людей с физическими или умственными нарушениями, использующих изделие. Они должны постоянно находиться под присмотром взрослого.
- Ни в коем случае не используйте изделие, если вы устали, больны или находитесь под воздействием спиртного, наркотических веществ или лекарственных препаратов. Это может повлиять на ваше

зрение, реакцию, координацию или оценку действительности.

- Запрещается использовать изделие, если оно повреждено.
- Запрещается вносить в изделие модификации или использовать изделие, если вы подозреваете, что в его конструкцию внесены изменения другими лицами.

Техника безопасности на рабочем месте



ПРЕДУПРЕЖДЕНИЕ: В обязательном порядке прочитайте следующие инструкции по технике безопасности, прежде чем приступать к эксплуатации изделия.

- Уберите ветви, сучья, камни и прочие посторонние предметы из рабочей зоны перед началом эксплуатации изделия.
- Предметы, ударяющиеся о режущий инструмент, могут быть отброшены, что приведет к травмам или повреждению имущества. Следите за тем, чтобы посторонние лица и животные находились на безопасном расстоянии от изделия.
- Ни в коем случае не используйте изделие при неблагоприятных погодных условиях, например, в туман, дождь, при сильном ветре, низких температурах и риске удара молнии. Эксплуатация изделия при плохих погодных условиях или на сырых участках утомительна. Плохие погодные условия могут создавать опасные условия для работы, например, скользкие поверхности.
- Следите за возможным появлением посторонних лиц, предметов или условий, которые могут препятствовать безопасной эксплуатации изделия.
- Следите за возможным появлением препятствий, таких как корни, камни, сучья, ямы или рвы. Высокая трава может скрывать препятствия.
- Стрижка травы на склоне может представлять опасность. Не выполняйте стрижку на особо крутых склонах. Запрещается использовать изделие на участках с уклоном более 15°

- При смене направления движения на склоне проявляйте повышенную осторожность. Используйте изделие поперек поверхности склона. Не передвигайтесь вверх и вниз по поверхности склона.
- Проявляйте особую осторожность при приближении к скрытым из видимости поворотам или предметам, которые могут затруднять обзор.
- Убедитесь, что вы знаете, как быстро остановить двигатель в аварийной ситуации.
- Запрещается эксплуатировать изделие под дождем или в условиях высокой влажности. При попадании воды внутрь агрегата повышается риск поражения электрическим током.

Техника безопасности



ПРЕДУПРЕЖДЕНИЕ: В обязательном порядке прочитайте следующие инструкции по технике безопасности, прежде чем приступить к эксплуатации изделия.

- Изделие предназначено исключительно для скашивания травы на газонах. Запрещается использовать изделие не по назначению.
- Пользуйтесь средствами индивидуальной защиты. См. раздел *Средства индивидуальной защиты на стр. 552.*
- Ни в коем случае не используйте изделие с отсутствующими или неправильно установленными кожухами или ножом. Неправильно установленный нож может высвободиться и причинить травму.
- Следите за тем, чтобы в нож не попали посторонние предметы, например, камни и корни. Это может затупить нож и привести к искривлению вала двигателя. При сгибании оси увеличивается уровень вибрации, что может привести к снижению надежности крепления ножа.
- В случае столкновения ножа с посторонним предметом или возникновения вибрации незамедлительно остановите изделие.

- Остановите двигатель, поверните предохранительный ключ в положение "0" и снимите аккумулятор. Проверьте изделие на наличие повреждений. Выполните ремонт повреждений или обратитесь в авторизованный сервисный центр для выполнения ремонта.
- Во время работы двигателя не прижимайте рукоятку моторного тормоза к рукоятке агрегата на длительный период времени.
 - При запуске изделие должно находиться на устойчивой, ровной поверхности. Убедитесь, что нож не касается грунта или любого другого предмета.
 - При работе с изделием всегда стойте сзади.
 - При работе с изделием все колеса должны стоять на земле; держите рукоятку обеими руками. Не приближайте руки или ноги к вращающимся ножам.
 - Запрещается наклонять изделие во время работы двигателя.
 - Соблюдайте осторожность, когда тянете изделие назад.
 - Запрещается поднимать изделие во время работы двигателя. В случае необходимости поднять изделие сначала выключите двигатель, поверните предохранительный ключ в положение "0" и извлеките аккумулятор.
 - Запрещается двигаться назад при работе с изделием.
 - Останавливайте двигатель при пересечении не покрытых травой зон, например, дорожек из гравия, камня или асфальта.
 - Запрещается бегать с изделием во время работы двигателя. Работайте с изделием в спокойном темпе.
 - Выключайте двигатель, прежде чем изменить высоту стрижки. Ни в коем случае не выполняйте регулировку при работающем двигателе.
 - Ни в коем случае не выпускайте из вида изделие с работающим двигателем. Остановите двигатель и убедитесь, что режущее оборудование не вращается.

Средства индивидуальной защиты



ПРЕДУПРЕЖДЕНИЕ: В обязательном порядке прочитайте следующие инструкции по технике безопасности, прежде чем приступить к эксплуатации изделия.

- Средства индивидуальной защиты не могут полностью исключить риск получения травмы, но при несчастном случае они снижают тяжесть травмы. За помощью по правильному выбору оборудования обращайтесь к дилеру.
- Используйте прочные, противоскользящие ботинки. Запрещается надевать открытую обувь или работать босиком.
- Надевайте прочные длинные брюки.
- При необходимости надевайте защитные перчатки, например, при закреплении, проверке или очистке режущего оборудования.

Защитные устройства на изделии



ПРЕДУПРЕЖДЕНИЕ: В обязательном порядке прочитайте следующие инструкции по технике безопасности, прежде чем приступить к эксплуатации изделия.

- Запрещается использовать изделие с неисправными защитными устройствами.
- Регулярно выполняйте проверку защитных устройств. Если защитные устройства неисправны, обратитесь в сервисный центр Husqvarna.

Проверка режущей деки

Режущая дека снижает уровень вибрации изделия и риск травмирования ножом.

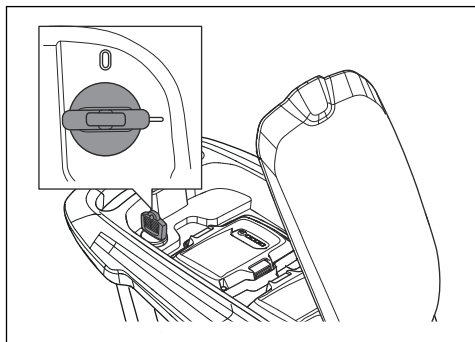
- Проверьте режущую деку и убедитесь, что на ней отсутствуют повреждения, такие как трещины.

Предохранительный ключ

Предохранительный ключ расположен под крышкой аккумулятора. Он подключает

аккумулятор, от которого на двигатель поступает питание.

- Чтобы проверить работу предохранительного ключа, запустите и остановите двигатель.
- Если ключ исправен, то двигатель можно запустить только при переводе ключа в положение "1".

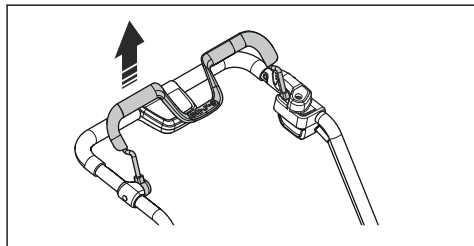


Рукоятка моторного тормоза

Рукоятка моторного тормоза предназначена для остановки двигателя. При отпускании рукоятки тормоза двигатель останавливается.

Чтобы проверить моторный тормоз, запустите двигатель, а затем отпустите рукоятку тормоза. Если двигатель не остановится через 3 секунды, обратитесь в авторизованный сервисный центр Husqvarna

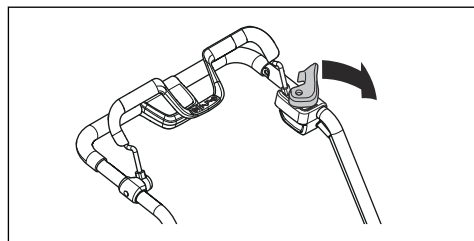
для регулировки моторного тормоза.



Проверка ограничителя запуска

Проверьте ограничитель запуска и убедитесь, что он блокирует работу двигателя.

1. Прижмите рукоятку моторного тормоза в направлении рукоятки агрегата. Ограничитель запуска остановит движение рукоятки.
2. Поверните ограничитель запуска в направлении, указанном стрелкой.



3. Разблокируйте ограничитель запуска и убедитесь, что он возвращается в исходное положение.

Техника безопасности при работе с аккумулятором



ПРЕДУПРЕЖДЕНИЕ: В обязательном порядке прочитайте следующие инструкции по технике безопасности, прежде чем приступать к эксплуатации изделия.

- Используйте перезаряжаемые аккумуляторы Husqvarna только с теми изделиями Husqvarna, для которых они предназначены. Во избежание травм запрещается использовать аккумулятор в качестве источника питания других агрегатов.
- Запрещается использовать одноразовые аккумуляторы.
- Риск поражения электрическим током. Не допускайте соприкосновения клемм аккумулятора с ключами, монетами, винтами или другими металлическими предметами. Это может привести к короткому замыканию аккумулятора.
- Не размещайте посторонние предметы на воздухозаборниках аккумулятора.
- Аккумулятор не должен подвергаться воздействию солнечного света, тепла или открытого пламени. Аккумулятор может взорваться, став причиной ожогов, в том числе химических.
- Защищайте аккумулятор от дождя и сырости.
- Не подвергайте аккумулятор воздействию микроволн и высокого давления.
- Не пытайтесь разбирать или ломать аккумулятор.
- При возникновении утечки из аккумулятора не допускайте попадания жидкости на кожу или в глаза. Если вы прикоснулись к жидкости, промойте участок контакта большим количеством воды и обратитесь за медицинской помощью.
- Используйте аккумулятор при температуре в диапазоне от -10°C до 40°C .
- Очистка аккумулятора или зарядного устройства водой запрещена. См. раздел *Очистка аккумулятора и зарядного устройства на стр. 565.*

- Запрещается использовать неисправный или поврежденный аккумулятор.
- Храните аккумуляторы вдали от металлических предметов, таких как гвозди, монеты или ювелирные изделия.

Техника безопасности при работе с зарядным устройством аккумулятора



ПРЕДУПРЕЖДЕНИЕ: В обязательном порядке прочитайте следующие инструкции по технике безопасности, прежде чем приступить к эксплуатации изделия.

- Для зарядки перезаряжаемых аккумуляторов Husqvarna используйте только зарядные устройства QC.
- Риск поражения электрическим током или короткого замыкания. Не размещайте посторонние предметы на воздухозаборниках зарядного устройства. Не пытайтесь разбирать зарядное устройство. Ни в коем случае не подключайте клеммы зарядного устройства к металлическим предметам. Используйте одобренные сетевые розетки.
- Во время работы данное изделие создает электромагнитное поле. В определенных обстоятельствах это поле может создавать помехи для пассивных и активных медицинских имплантатов. В целях снижения риска серьезной или смертельной травмы лицам с медицинскими имплантатами рекомендуется проконсультироваться с врачом и изготовителем имплантата, прежде чем приступить к эксплуатации данного изделия.
- Регулярно проверяйте кабель питания зарядного устройства на наличие повреждений или трещин.
- Не поднимайте зарядное устройство за кабель питания. Для отсоединения зарядного устройства от сетевой розетки потяните за вилку. Не тяните за кабель питания.
- Не допускайте контакта кабеля питания и удлинителя с водой, маслом

или с острыми краями. Убедитесь, что кабель не передавлен дверью, калиткой и т.д. В противном случае зарядное устройство может оказаться под напряжением.

- Запрещается чистить аккумулятор и зарядное устройство водой.
- Дети старше 8 лет и лица с ограниченными физическими, сенсорными или умственными способностями или недостатком опыта и знаний могут использовать зарядное устройство только под надзором или в случае предоставления инструкций относительно безопасной эксплуатации оборудования и возможных рисков. Не позволяйте детям играть с зарядным устройством. Очистка и техническое обслуживание пользователем не должны проводиться детьми без надзора.
- Не пытайтесь заряжать одноразовые аккумуляторные батареи в зарядном устройстве.
- Запрещается использовать зарядное устройство вблизи легковоспламеняющихся

материалов и материалов, которые вызывают коррозию. Не накрывайте зарядное устройство. Вытащите вилку зарядного устройства из розетки в случае появления дыма или огня.

- Запрещается использовать неисправное или поврежденное зарядное устройство.
- Заряжайте аккумулятор только в хорошо проветриваемом помещении вдали от солнечных лучей. Запрещается заряжать аккумулятор в условиях высокой влажности.

Инструкции по технике безопасности во время технического обслуживания



ПРЕДУПРЕЖДЕНИЕ: В обязательном порядке прочитайте следующие инструкции по технике безопасности, прежде чем приступить к эксплуатации изделия.

- Во избежание случайного запуска во время обслуживания поверните предохранительный ключ в положение "0" и извлеките

аккумулятор. Подождите не менее 5 секунд, прежде чем приступить к обслуживанию.

- Чтобы продлить срок службы агрегата и снизить вероятность несчастных случаев, соблюдайте все требования к проведению обслуживания. Для проведения ремонта обратитесь в авторизованный сервисный центр. Для получения дополнительной информации обратитесь в ближайшее представительство компании.
- Выполняйте техобслуживание строго в соответствии с инструкциями, приведенными в руководстве по эксплуатации. Более расширенное обслуживание выполняется авторизованной сервисной мастерской.
- При работе с режущим оборудованием используйте прочные перчатки. Нож очень острый, что при неосторожном обращении может легко привести к порезам.
- Для повышения качества и безопасности работы регулярно затачивайте и чистите режущие края инструмента.
- Регулярно обращайтесь в сервисный центр для проверки изделия и выполнения необходимой регулировки и ремонта.
- Замените поврежденные, сломанные или изношенные детали.
- Соблюдайте указания по замене принадлежностей. Пользуйтесь только оригинальными принадлежностями.
- Храните изделие, аккумулятор и зарядное устройство по отдельности в сухом помещении под замком. Не допускайте к изделию, аккумулятору и зарядному устройству детей и лиц, не имеющих соответствующего разрешения.

Сборка

Введение



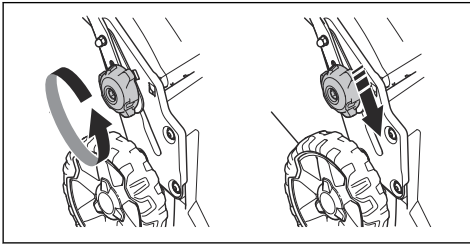
ПРЕДУПРЕЖДЕНИЕ: Прежде чем выполнять сборку изделия, прочитайте раздел, посвященный технике безопасности.



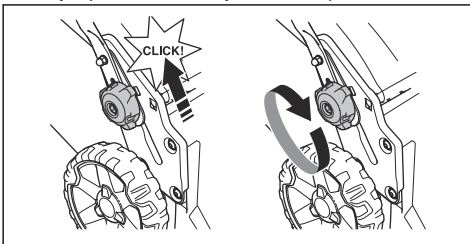
ПРЕДУПРЕЖДЕНИЕ: Во избежание случайного запуска во время сборки переведите предохранительный ключ в положение "0", извлеките аккумулятор и подождите не менее 5 секунд.

Регулировка рукоятки

1. Ослабьте нижние ручки.
2. Переместите ручки в нижние положения в пазах с левой и правой стороны изделия.



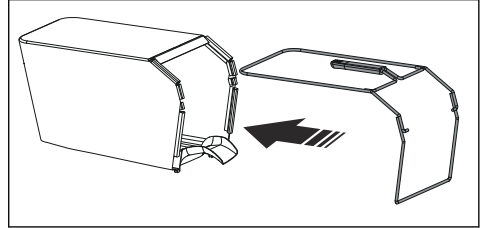
3. Установите рукоятку в одно из 2 доступных положений по высоте.
4. Переместите ручки вверх в направлении рукоятки до упора. Вы должны услышать щелчок.



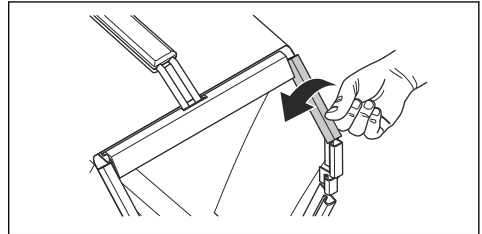
5. Надежно затяните ручки.

Установка травосборника

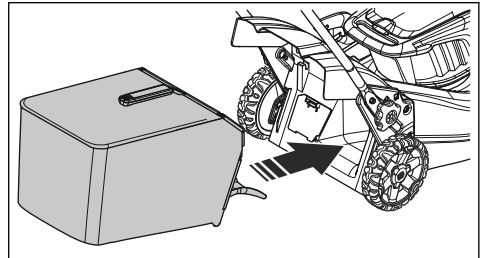
1. Установите раму травосборника на мешок травосборника таким образом, чтобы жесткая часть мешка оказалась внизу. Ручка рамы должна располагаться поверх мешка.



2. Установите нижнюю часть рамы травосборника в канавку в нижней части травосборника.
3. Закрепите мешок на раме травосборника зажимами.



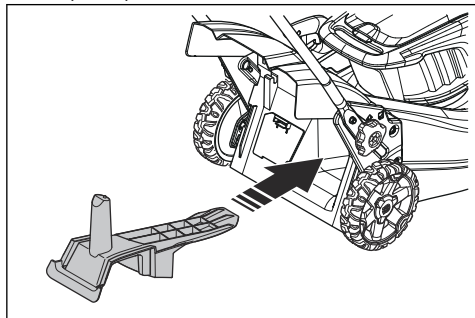
4. Поднимите заднюю крышку.
5. Установите травосборник на верхний край шасси.
6. Поместите нижнюю часть травосборника в канал для выброса травы.



Установка пробки для мульчирования (принадлежность)

1. Поднимите заднюю крышку и снимите травосборник.

2. Вставьте пробку для мульчирования в канал для выброса травы.



3. Замените нож ножом для мульчирования, поставляемым в составе комплекта для мульчирования. См. раздел *Снятие и замена ножа* на стр. 565.

Эксплуатация

Введение



ПРЕДУПРЕЖДЕНИЕ: Перед эксплуатацией прибора необходимо внимательно изучить раздел безопасности.

Husqvarna Connect

Husqvarna Connect представляет собой бесплатное приложение для мобильного устройства. Приложение Husqvarna Connect позволяет пользоваться расширенными функциями вашего изделия Husqvarna:

- Дополнительная информация об изделии.
- Сведения о деталях и помощь в техническом обслуживании.

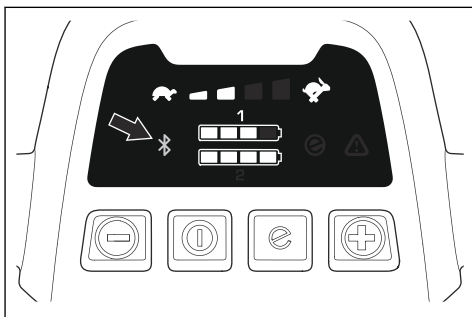
Как начать использовать Husqvarna Connect

1. Загрузите приложение Husqvarna Connect на свое мобильное устройство.
2. Зарегистрируйтесь в приложении Husqvarna Connect.
3. Выполните пошаговые инструкции в приложении Husqvarna Connect для подключения и регистрации изделия.

Информация о Bluetooth® (LC 247iX, LC 347iVX, LC 353iVX)

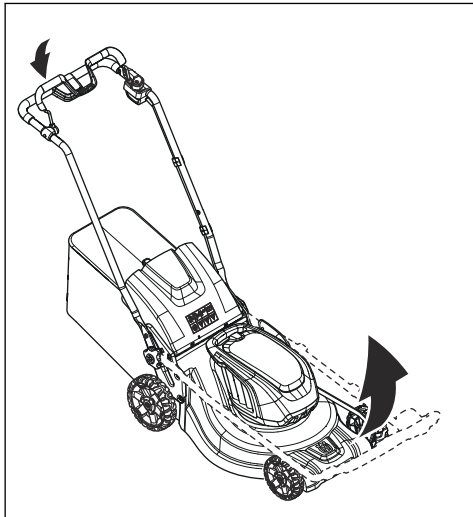
Беспроводная технология Bluetooth®

Значок беспроводной технологии *Bluetooth®* загорается при подключении мобильного устройства к изделию.

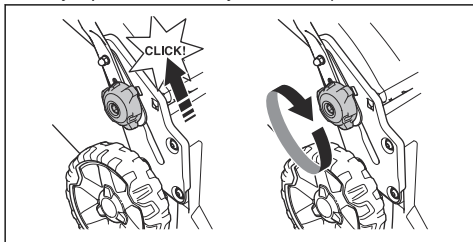


Установка изделия в рабочее положение

1. Установите рукоятку в вертикальное положение.



2. Переместите ручки вверх в направлении рукоятки до упора. Вы должны услышать щелчок.



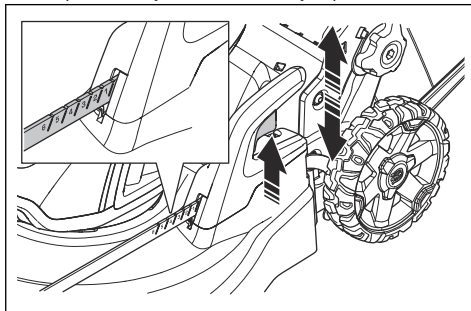
3. Надежно затяните ручки.

Регулировка высоты стрижки

Высоту стрижки возможно установить на 6 разных уровнях.

1. Переведите рычаг регулировки высоты стрижки вниз, чтобы уменьшить высоту стрижки.

2. Переведите рычаг регулировки высоты стрижки вверх, чтобы увеличить высоту стрижки.



ВНИМАНИЕ: Не устанавливайте высоту стрижки слишком низко. Ножи могут ударяться о землю, если поверхность газона неровная.

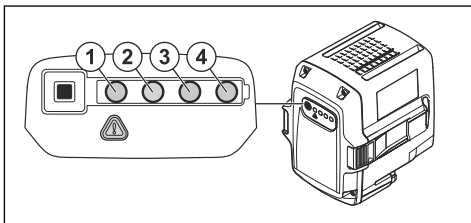
Аккумулятор



ПРЕДУПРЕЖДЕНИЕ: Перед эксплуатацией аккумулятора ознакомьтесь с разделом, посвященным безопасности, и усвойте его содержание. Прочтите и усвойте также все сведения, приведенные в руководстве по эксплуатации аккумулятора и зарядного устройства.

Состояние аккумулятора

Дисплей отображает оставшуюся емкость аккумулятора и наличие в нем неисправностей. Емкость аккумулятора отображается на дисплее в течение 5 секунд после отключения агрегата или после нажатия кнопки-индикатора аккумулятора. Предупреждающий знак на аккумуляторе загорается в случае возникновения ошибки. См. раздел *Аккумулятор на стр. 566*.



Светодиодные индикаторы	Состояние аккумулятора
Все светодиоды горят	Аккумулятор полностью заряжен (75-100 %).

Светодиодные индикаторы	Состояние аккумулятора
Светодиоды 1, 2, 3 горят.	Заряд аккумулятора — 50-75 %.
Светодиоды 1, 2 горят.	Заряд аккумулятора — 25-50 %.
Светодиод 1 горит.	Заряд аккумулятора — 0-25 %.
Светодиод 1 мигает.	Аккумулятор разряжен. Зарядите аккумулятор.

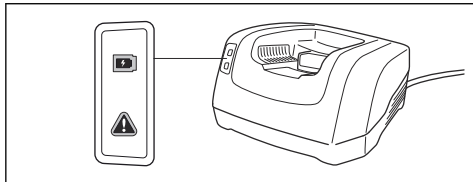
Зарядка аккумулятора

Зарядите аккумулятор перед первым использованием. Поставляемый аккумулятор заряжен только на 30%.

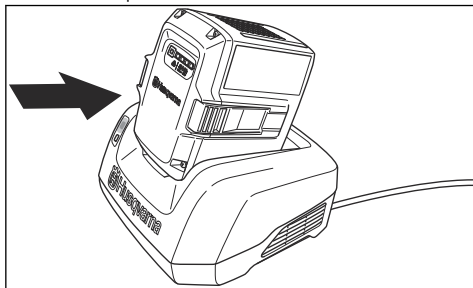
Примечание: Подсоединяйте зарядное устройство к сети питания с напряжением и частотой, указанными на паспортной табличке.

Зарядка не выполняется, если температура аккумулятора превышает 50°C. Прежде чем начать зарядку, зарядное устройство охлаждает аккумулятор до приемлемой температуры.

1. Вставьте один конец силового кабеля зарядного устройства в гнездо зарядного устройства.
2. Второй конец силового кабеля зарядного устройства вставьте в заземленную розетку сети электропитания. Светодиод на зарядном устройстве мигнет зеленым цветом один раз.



3. Вставьте аккумулятор в зарядное устройство. При правильном подключении аккумулятора к зарядному устройству загорается индикатор зеленого цвета.



4. Когда на аккумуляторе загорятся все светодиоды, это означает полную зарядку. Длительность зарядки аккумулятора не должна превышать 24 часа.
5. Чтобы отсоединить зарядное устройство от розетки, потяните не за кабель, а за штекер.
6. Извлеките аккумулятор из зарядного устройства.

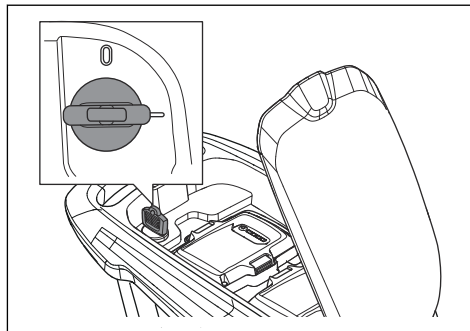
Состояние зарядки аккумулятора

Литий-ионный аккумулятор Husqvarna можно заряжать и использовать при любом уровне зарядки. Это не приведет к повреждению аккумулятора. Полностью заряженный аккумулятор не разряжается, даже если оставить его в зарядном устройстве.

Светодиодный дисплей	Состояние процесса зарядки
Светодиод 1 мигает.	0%-25%
Светодиод 1 горит, светодиод 2 мигает.	25%-50%
Светодиоды 1, 2 горят, светодиод 3 мигает.	50%-75%
Светодиоды 1, 2, 3 горят, светодиод 4 мигает.	75%-100%
Горят светодиоды 1, 2, 3, 4	Полный уровень заряда

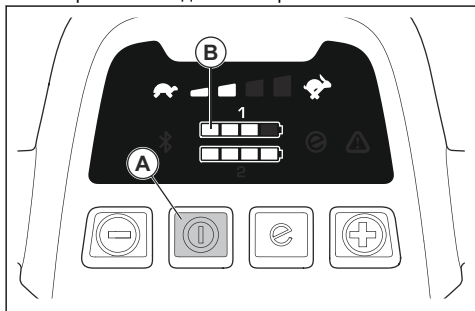
Запуск изделия

1. Откройте крышку аккумулятора.
2. Вставьте заряженный аккумулятор в 1 из держателей аккумулятора. Чтобы продлить время работы, вставьте второй заряженный аккумулятор в другой держатель аккумулятора.
3. Переведите предохранительный ключ в положение "1".

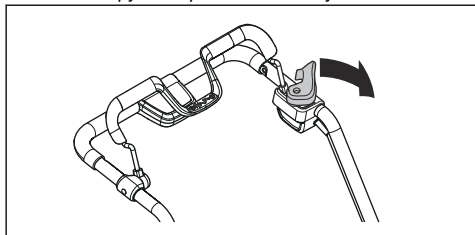


4. Стойте сзади изделия.

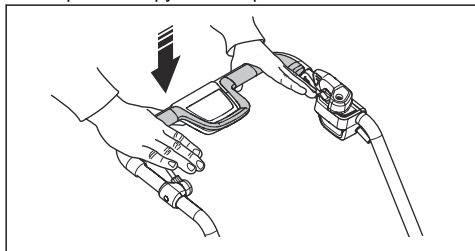
5. Нажмите кнопку ВКЛ./ВЫКЛ. (A) на панели управления. Включится дисплей. Индикатор аккумулятора (B) показывает уровень заряда обоих аккумуляторов. Номер используемого аккумулятора отображается рядом с индикатором аккумулятора. На дисплее моделей LC 347iV, LC 347iVX, LC 353iV, LC 353iVX также отображается заданная скорость.



6. Разблокируйте ограничитель запуска.

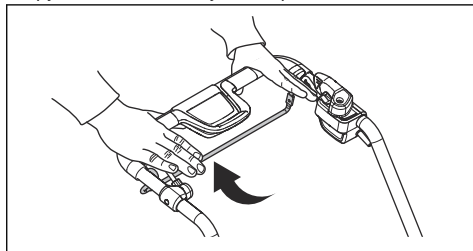


7. Прижмите рукоятку моторного тормоза в направлении рукоятки агрегата.

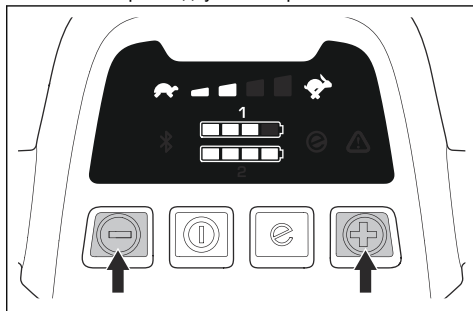


Использование привода колес LC 347iV, LC 347iVX, LC 353iV, LC 353iVX

- Потяните петлю привода в направлении рукоятки, чтобы запустить привод.



- Нажмите на кнопки + и - на панели управления, чтобы выбрать одну из 4 скоростей.

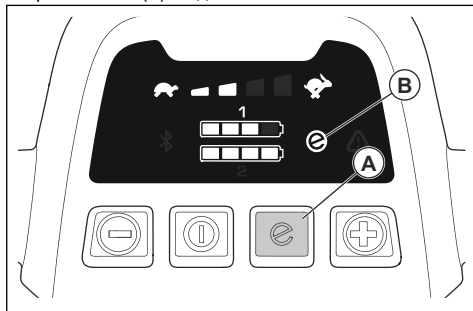


- Отпустите петлю привода, чтобы отключить привод, например, при приближении к препятствию.

Использование функции

На изделии предусмотрена функция экономии заряда аккумулятора (e), которая продлевает время работы.

1. Чтобы включить функцию, нажмите кнопку (A). На дисплее загорится значок (B).
2. Чтобы отключить функцию, нажмите кнопку еще раз. Значок (B) на дисплее погаснет.



Функция автоматически отключается в тех случаях, когда состояние грунта требует более высокой мощности. Функция автоматически возобновляет работу, когда это позволяет состояние грунта.

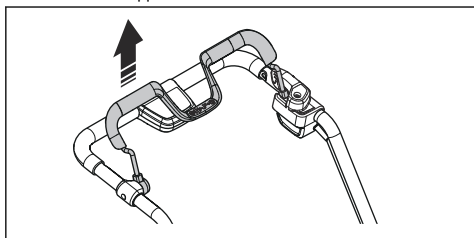
Функция высокой нагрузки

При стрижке высокой или влажной травы двигатель автоматически увеличивает число оборотов. Когда надобность в высокой нагрузке отпадает, двигатель возвращается в стандартный режим работы.

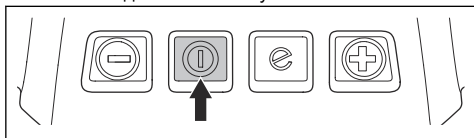
Остановка изделия

Если изделие не используется в течение 10 минут, оно автоматически выключается. Прежде чем оставить изделие без присмотра, обязательно переведите предохранительный ключ в положение "0".

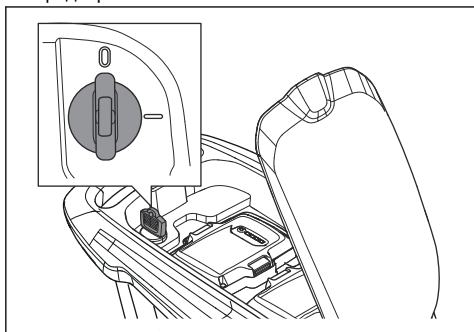
1. Отпустите рукоятку моторного тормоза, чтобы остановить двигатель.



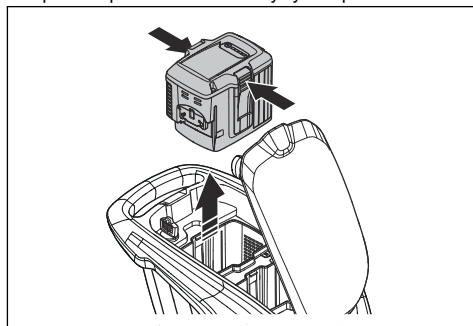
2. Нажмите кнопку ВКЛ./ВЫКЛ. на панели управления. Все светодиодные индикаторы и значки на дисплее погаснут.



3. Откройте крышку аккумулятора и поверните предохранительный ключ в положение "0".



4. Чтобы извлечь аккумулятор, нажмите на 2 кнопки фиксатора и извлеките аккумулятор.



5. Зарядите аккумулятор с низким уровнем зарядки. Дополнительную информацию см. в разделе *Зарядка аккумулятора на стр. 561.*

Достижение оптимальных результатов

- Всегда пользуйтесь хорошо заточенным ножом. Затупившийся нож будет стричь траву неровно, и в месте среза трава будет желтеть. При использовании острого ножа также затрачивается меньше энергии, чем при работе с затупившимся ножом.
- Не срезайте более $\frac{1}{2}$ всей длины травы. Выполните первую стрижку на большей высоте. Проверьте полученный результат и уменьшите высоту стрижки до необходимого уровня. Если трава высокая, передвигайте газонокосилку медленно и, при необходимости, используйте газонокосилку 2 раза.
- Если вы хотите избежать образования полос на вашем газоне, следует каждый раз стричь его в разных направлениях.

Стрижка травы без установленного травосборника или пробки для мульчирования

- Поднимите заднюю крышку и снимите травосборник.
- Снимите установленные пробку и нож для мульчирования.
- Прежде чем включить агрегат, закройте заднюю крышку.

Во время работы агрегата срезанная трава выбрасывается под заднюю крышку.

Техническое обслуживание

Введение



ПРЕДУПРЕЖДЕНИЕ: Перед выполнением техобслуживания необходимо внимательно изучить и понять раздел безопасности.

Для выполнения любых работ по сервисному обслуживанию и ремонту изделия необходимо пройти специальное обучение. Мы гарантируем доступность услуг по профессиональному ремонту и сервисному обслуживанию. Если ваш дилер не занимается сервисным обслуживанием, обратитесь к

нему для получения информации о ближайшем сервисном центре.

График технического обслуживания

График технического обслуживания рассчитан исходя из ежедневного использования изделия. Если изделие не используется ежедневно, интервалы техобслуживания изменятся.

Информацию о техническом обслуживании, отмеченном знаком *, см. в инструкциях в *Инструкции по безопасности во время эксплуатации на стр. 552.*

	При каждом использовании	Ежемесячно	Каждый сезон
Выполните общий осмотр	X		
Очистите изделие	X		
Проверьте работу ограничителя запуска *	X		
Убедитесь, что защитные устройства агрегата исправны *	X		
Проверьте режущее оборудование	X		
Проверьте режущую деку *	X		
Проверьте рукоятку моторного тормоза *	X		
Проверьте работу и состояние кнопки вкл./выкл.	X		
Проверьте аккумулятор на наличие повреждений	X		
Проверьте зарядку аккумулятора	X		
Проверьте работу кнопок фиксатора и надежность установки аккумулятора в агрегате	X		
Проверьте состояние и правильность работы зарядного устройства.		X	
Проверьте соединения между аккумулятором и агрегатом. Проверьте также соединения между аккумулятором и зарядным устройством.			X

Выполнение общего осмотра

- Проверьте затяжку гаек и винтов на изделии.
- Убедитесь, что расположение кабелей не допускает возможности их повреждения.

Очистка изделия

- Очистите пластмассовые детали чистой и сухой тканью.
- Не используйте воду для очистки изделия от загрязнений. Попадание воды в аккумулятор или

двигатель может вызвать короткое замыкание или повредить изделие.

- Не используйте моечный агрегат высокого давления для очистки изделия.
- Не направляйте струю воды непосредственно на двигатель.
- Используйте щетку для удаления листьев, травы и грязи.

Очистка аккумулятора и зарядного устройства



ВНИМАНИЕ: Очистка аккумулятора или зарядного устройства водой запрещена.

- Прежде чем устанавливать аккумулятор в зарядное устройство, убедитесь, что аккумулятор и зарядное устройство чистые и сухие.
- Используйте для очистки клемм аккумулятора сжатый воздух или мягкую и сухую ткань.
- Очистите поверхности аккумулятора и зарядного устройства мягкой и сухой тканью.

Проверка режущего оборудования



ПРЕДУПРЕЖДЕНИЕ: Во избежание случайного запуска переведите предохранительный ключ в положение "0", извлеките аккумулятор и подождите не менее 5 секунд.



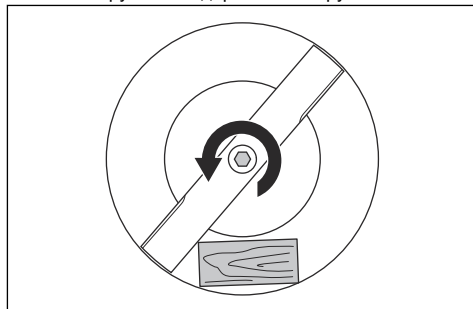
ПРЕДУПРЕЖДЕНИЕ: Надевайте защитные перчатки при техобслуживании режущего оборудования. Нож очень острый, что при неосторожном обращении может легко привести к порезам.

1. Проверьте режущее оборудование на наличие повреждений или трещин. Всегда заменяйте поврежденное режущее оборудование.
2. Осмотрите нож на наличие повреждений или следов притупления.

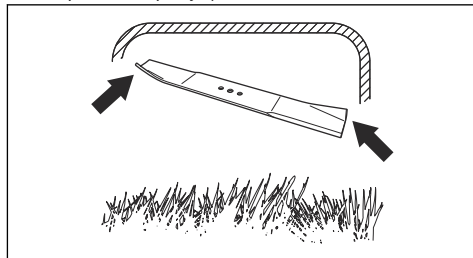
Примечание: После заточки ножа необходимо выполнить его балансировку. Обратитесь в сервисный центр для выполнения заточки, замены и балансировки ножа. При столкновении с препятствием, которое привело в остановку изделия, замените поврежденный нож. Сервисный центр должен определить, следует ли заточить нож или лучше его заменить.

Снятие и замена ножа

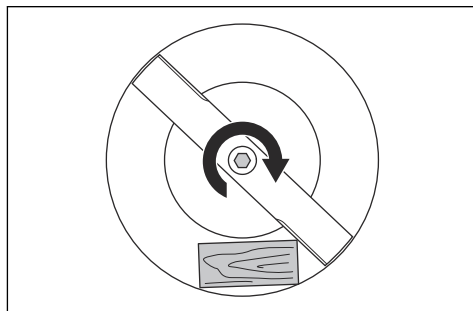
1. Заблокируйте нож деревянным бруском.



2. Снимите болт ножа.
3. Снимите нож.
4. Проверьте опору и болт ножа на наличие повреждений.
5. Осмотрите вал двигателя на наличие деформаций.
6. При установке нового ножа находящиеся под углом края должны быть обращены в направлении режущей деки.



7. Убедитесь, что нож выставлен по центру вала двигателя.
8. Заблокируйте нож деревянным бруском. Установите пружинную шайбу и затяните болт с шайбой моментом 23-28 Нм.



9. Проверните нож рукой и убедитесь, что он свободно вращается.



ПРЕДУПРЕЖДЕНИЕ:

Используйте прочные перчатки. Нож очень острый, что при неосторожном

обращении может легко привести к порезам.

10. Запустите изделие, чтобы проверить работу ножа. Если нож установлен неправильно, вы ощутите вибрацию изделия, или результат стрижки будет неудовлетворительным.

Поиск и устранение неисправностей

Аккумулятор

Светодиодный индикатор аккумулятора	Возможные неисправности	Порядок устранения
Мигает зеленый светодиод	Низкое напряжение аккумулятора	Зарядите аккумулятор. См. раздел <i>Зарядка аккумулятора на стр. 561</i> .
Мигает светодиод ошибки	Слишком низкий заряд аккумулятора	Зарядите аккумулятор. См. раздел <i>Аккумулятор на стр. 566</i> .
	Слишком высокая или слишком низкая температура окружающей среды	Используйте аккумулятор при температуре в диапазоне от -10°C до 40°C.
	Перегрузка по напряжению	Убедитесь, что напряжение в сети соответствует значению, указанному на паспортной табличке изделия. Извлеките аккумулятор из зарядного устройства. Подождите 5 секунд и снова попытайтесь зарядить аккумулятор. Если неисправность не устранена, обратитесь в авторизованный сервисный центр.
Горит светодиод ошибки	Слишком большая разница в напряжении ячеек (1 В)	Обратитесь в авторизованный сервисный центр.

Зарядное устройство

Светодиод на зарядном устройстве аккумулятора	Возможные неисправности	Порядок устранения
Мигает светодиод ошибки	Слишком высокая или слишком низкая температура окружающей среды	Используйте зарядное устройство при температуре в диапазоне от 5°C до 40°C.
Горит светодиод ошибки		Обратитесь в авторизованный сервисный центр

Панель управления

Кнопочная панель	Код ошибки (количество миганий)	Возможные неисправности	Возможные действия
Мигает светодиод ошибки	3	Перегрузка двигателя	Увеличьте высоту стрижки. См. раздел <i>Регулировка высоты стрижки на стр. 560.</i>
	5	Слишком низкая частота вращения двигателя привела к остановке двигателя	
	10	Слишком высокая температура системы управления двигателем	Остановите двигатель и подождите, пока он остынет
	2	Нож заблокирован	Во избежание случайного запуска переведите предохранительный ключ в положение "0", извлеките аккумулятор и подождите не менее 5 секунд. Убедитесь, что нож свободно вращается. Если неисправность не устранена, обратитесь в авторизованный сервисный центр
	9	Ошибка аккумулятора или отсутствие сигнала от аккумулятора	Установите аккумулятор в агрегат надлежащим образом и проверьте разъем аккумулятора. Если на аккумуляторе мигает светодиодный индикатор ошибки. См. раздел <i>Аккумулятор на стр. 560.</i>
Изделие останавливается	8	Слишком низкий заряд аккумулятора	Зарядите аккумулятор. См. раздел <i>Зарядка аккумулятора на стр. 561.</i>
	0	Неисправность разъема аккумулятора	Осмотрите разъем аккумулятора
Прочие ошибки	При возникновении других ошибок поверните предохранительный ключ в положение "0", извлеките аккумулятор и обратитесь в авторизованный сервисный центр.		

Транспортировка, хранение и утилизация

Введение

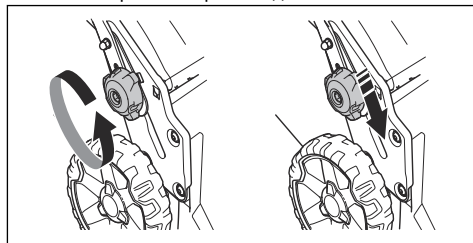


ПРЕДУПРЕЖДЕНИЕ: Во избежание случайного запуска во время транспортировки переведите предохранительный ключ в положение "0", извлеките аккумулятор и подождите не менее 5 секунд.

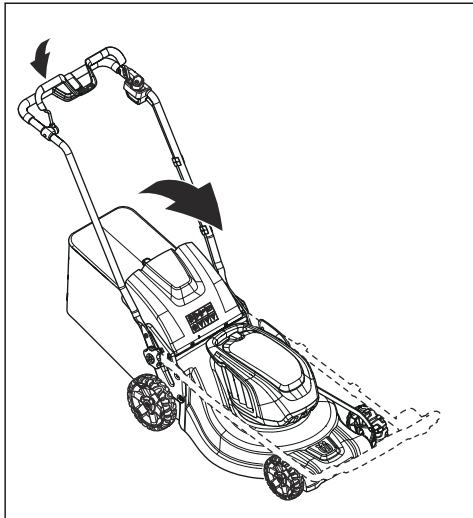
Установка изделия в положение для транспортировки

1. Ослабьте нижние ручки.

2. Переместите ручки в нижние положения в пазах с левой и правой стороны изделия.



3. Сложите рукоятку вперед.



4. Снимите травосборник.

Транспортировка

- На литий-ионные аккумуляторы в комплекте изделия распространяются требования, предъявляемые к опасным товарам.
- Соблюдайте специальные требования к перевозке коммерческим транспортом, указанные на упаковке и ярлыках.
- При подготовке изделия к транспортировке тщательно выполняйте все требования, предъявляемые к опасным веществам. Могут также применяться требования местного законодательства.
- Перед транспортировкой всегда извлекайте аккумулятор.
- Заклейте разъемы аккумулятора лентой и закрепите аккумулятор таким образом, чтобы во время транспортировки он не мог сместиться.
- Надежно закрепите изделие на время транспортировки.

Хранение

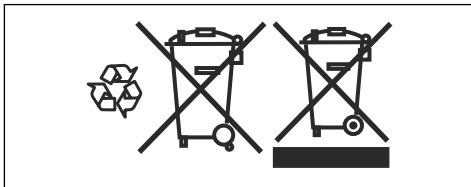
- Перед транспортировкой всегда извлекайте аккумулятор.
- Во избежание несчастных случаев при помещении изделия на хранение убедитесь, что в нем нет аккумулятора.

- Храните зарядное устройство в закрытом и сухом помещении.
- Храните аккумулятор и зарядное устройство в сухом отапливаемом помещении.
- Храните аккумулятор отдельно от зарядного устройства.
- Не допускается хранение аккумулятора в местах, где возможно возникновение статического электричества. Нельзя хранить аккумулятор в металлической коробке.
- Храните аккумулятор при температуре в пределах от 5°C до 25°C и не подвергайте воздействию прямых солнечных лучей.
- Храните зарядное устройство при температуре в пределах от 5°C до 45°C и не подвергайте воздействию прямых солнечных лучей.
- Перед помещением аккумулятора на длительное хранение убедитесь, что он заряжен до 30-50%.
- Храните изделие, аккумулятор и зарядное устройство в запечатом помещении, вне доступа детей и лиц, не имеющих соответствующего разрешения.
- Перед помещением изделия на длительное хранение очистите его от загрязнений и проведите полное обслуживание.

Утилизация

Обозначения на изделии или его упаковке указывают, что данное изделие не может быть утилизировано в качестве бытовых отходов. Оно должно быть передано в соответствующий пункт для переработки электрического и электронного оборудования.

Обеспечив надлежащую утилизацию данного изделия, вы можете предотвратить потенциальное отрицательное влияние на окружающую среду и здоровье людей, которое иначе могло быть последствием неправильной утилизации. Более подробную информацию о переработке данного изделия получите в Городском управлении, у службы, занимающейся переработкой бытовых отходов либо в магазине, где вы приобрели изделие.



Технические данные

Технические данные

	LC 247iX / LC 247i	LC 347iVX / LC 347iV	LC 353iVX / LC 353iV
Мотор привода ножей			
Тип двигателя	Двигатель постоянного тока BLDC (бесщеточный), 36 В	Двигатель постоянного тока BLDC (бесщеточный), 36 В	Двигатель постоянного тока BLDC (бесщеточный), 36 В
Частота вращения двигателя - SavE, об/мин	2600	2600	2600
Частота вращения двигателя - номинальная, об/мин	3000	3000	3000
Частота вращения двигателя - высокая нагрузка, об/мин	3500	3500	3500
Мощность двигателя - максимальная, кВт	0,96	0,96	1,05
Мощность двигателя - номинальная, кВт	0,75	0,75	0,9
Приводной мотор			
Мощность двигателя - номинальная, кВт	Неприменимо	0,25	0,25
Скорость самостоятельного хода, км/ч	Неприменимо	3,0–4,5	3,0–4,5
Уровни регулировки скорости	Неприменимо	4	4
Вес			
Вес без аккумулятора, кг	24	26	28
Аккумулятор			
Тип аккумулятора	Аккумуляторная серия Husqvarna	Аккумуляторная серия Husqvarna	Аккумуляторная серия Husqvarna
Рабочий цикл аккумулятора			
Время непрерывной работы аккумулятора, минуты, (на холостом ходу) с включенной функцией SavE, с одним аккумулятором Husqvarna 5,2 А·ч (BLi200).	43	43	32
Время непрерывной работы аккумулятора, минуты, (на холостом ходу) в стандартном режиме, с одним аккумулятором Husqvarna 5,2 А·ч (BLi200).	30	30	20
Излучение шума⁶⁴			
Уровень мощности звука, измеренный, дБ(А)	94	94	97

⁶⁴ Излучение шума в окружающую среду измеряется как шумовой эффект (L_{WA}) согласно Директиве ЕС 2000/14/ЕС.

	LC 247iX / LC 247i	LC 347iVX / LC 347iV	LC 353iVX / LC 353iV
Уровень мощности шума, гарантированный L_{WA} дБ (А)	95	95	98
Уровни шума ⁶⁵			
Уровень шумового давления на уши оператора, дБ(А)	82	82	86
Уровни вибрации ⁶⁶			
На ручке, m/c^2	0,42	0,42	2,64
Режущее оборудование			
Высота стрижки, мм	20-75 мм	20-75 мм	20-75 мм
Рабочая ширина, см	47	47	53
Нож стандартный	Collect 5905934-10	Collect 5905934-10	Collect 5940757-10
Нож, принадлежности	Mulch 5907010-10	Mulch 5907010-10	Mulch 5950072-10
Емкость травосборника, л	55	55	60

Данные о радиочастотах для Bluetooth®	LC 247iX	LC 347iVX	LC 353iVX
Диапазон частот, ГГц	2,4-2,4835	2,4-2,4835	2,4-2,4835
Выходная мощность, макс., дБм	4	4	4

Рекомендованные аккумуляторы	Тип	Ресурс аккумулятора, А·ч	Напряжение, В	Масса, фунт/кг
BLi20	Литий-ионный	4,0	36	2,6/1,2
BLi30	Литий-ионный	7,7	36	4,2/1,9
BLi200	Литий-ионный	5,2	36	2,8/1,3
BLi300	Литий-ионный	9,4	36	4,1/1,9

Рекомендованные зарядные устройства для указанных аккумуляторов, BLi	Входное напряжение, В	Частота, Гц	Мощность, Вт
QC80	100-240	50-60	80

⁶⁵ Указанные данные об уровне шумового давления имеют типичный статистический разброс (стандартное отклонение) в 1,2 дБ (А).

⁶⁶ Указанные данные об уровне вибрации имеют типичный статистический разброс (стандартное отклонение) 0,2 m/c^2 . Вибрация согласно стандарту EN 60335-2-77:2017 раздел 20.105

Рекомендованные зарядные устройства для указанных аккумуляторов, ВLi	Входное напряжение, В	Частота, Гц	Мощность, Вт
QC80F	12	0	80
QC250	100-240	50-60	250
QC330	100-240	50-60	330
QC500	100-240	50-60	500

Декларация соответствия ЕС

Декларация соответствия ЕС

Husqvarna AB, SE-561 82 Huskvarna, Швеция, тел.: +46-36-146500, настоящим заявляет, что **газонокосилки Husqvarna LC 247i, LC 247iX, LC 347iV, LC 347iVX, LC 353iV, LC 353iVX** 2018 года выпуска и далее соответствуют требованиям ДИРЕКТИВЫ СОВЕТА ЕС:

- от 8 июня 2011 года "об ограничении по использованию опасных веществ" **2011/65/EU**
- от 17 мая 2006 года "о механическом оборудовании" **2006/42/EC**
- от 8 мая 2000 года "об излучении шума в окружающую среду" **2000/14/EC**

Информацию по излучению шума см. в разделе *Технические данные на стр. 569.*

Применяются следующие стандарты:

EN/IEC 60335-1, EN/IEC 60335-2-77, EN/IEC 62233, EN 55014-1, EN ETSI 301 489-7 v1.3.1, EN 61000-6, ETSI EN 61000-6-1, EN 300 328 BT low energy Tx/Rx, EN 50581

Если не указано иное, подразумевается последняя опубликованная редакция стандартов.

Уполномоченная организация: **0404, RISE SMP Svensk Maskinprovning AB, Box 7035, SE-750 07**

Uppsala произвела оценку соответствия согласно приложению VI к Директиве 2000/14/ЕС.

Huskvarna, 2020-04-22



Клаес Лосдал (Claes Losdal), директор Отдела разработки/Садовая техника (Уполномоченный представитель Husqvarna AB и ответственный за техническую документацию)

141400, Московская обл., Г. Химки, ул. Ленинградская, владение 39, строение 6, здание II этаж 4, помещение OB02_04, телефон горячей линии 8-800-200-1689

Зарегистрированные товарные знаки

Словесный знак *Bluetooth®* и логотипы являются зарегистрированными товарными знаками, принадлежащими компании *Bluetooth SIG, inc.* Любое использование этих знаков компанией Husqvarna регулируется лицензионным соглашением.

Obsah

Úvod.....	573	Riešenie problémov.....	592
Bezpečnosť.....	577	Preprava, skladovanie a likvidácia.....	593
Montáž.....	585	Technické údaje.....	595
Prevádzka.....	586	ES vyhlásenie o zhode.....	597
Údržba.....	590	Registrované ochranné známky.....	597

Úvod

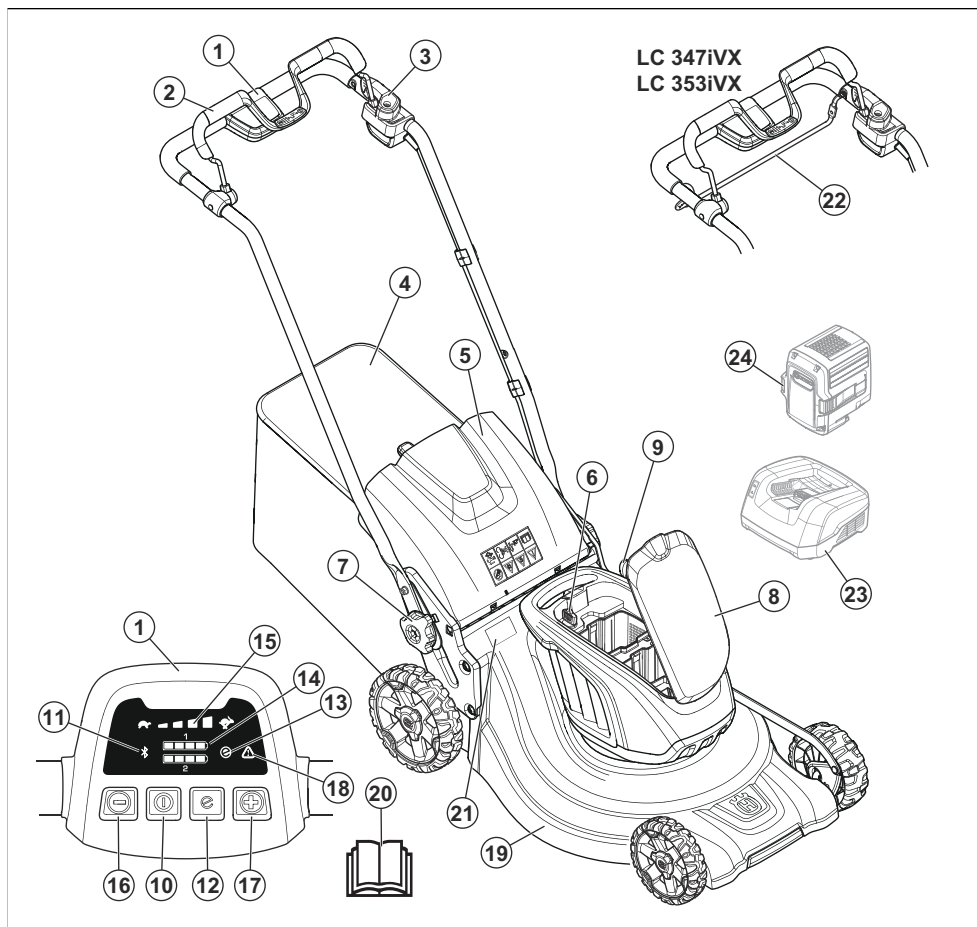
Popis výrobku

Tento výrobok je rotačná kosačka na trávu s chodiacou obsluhou. Tráva sa zhromažďuje do zberného koša. Na vyprázdnenie trávy zo zadnej časti odstráňte zberný kôš. Ak chcete trávu nasekať a použiť ako hnojivo, použite mulčovaciu súpravu (príslušenstvo).

Plánované použitie

Produkt používajte na kosenie trávy. Výrobok nepoužívajte na iné účely.

Prehľad výrobku



- | | |
|---|--|
| 1. Ovládací panel | 15. Indikátor úrovne rýchlosti (LC 347iV, LC 347iVX, LC 353iV, LC 353iVX) |
| 2. Rukoväť motorovej brzdy | 16. Tlačidlo zníženia rýchlosti (LC 347iV, LC 347iVX, LC 353iV, LC 353iVX) |
| 3. Poistka naštartovania | 17. Tlačidlo zvýšenia rýchlosti (LC 347iV, LC 347iVX, LC 353iV, LC 353iVX) |
| 4. Zberný kôš | 18. Chybový indikátor LED |
| 5. Zadný kryt | 19. Kryt rezacej časti |
| 6. Bezpečnostný kľúč | 20. Návod na obsluhu |
| 7. Gombík na rukoväti | 21. Výkonový štítok |
| 8. Kryt batérie | 22. Páka pohonu (LC 347iV, LC 347iVX, LC 353iV, LC 353iVX) |
| 9. Ovládač výšky rezu | 23. Nabíjačka batérie (príslušenstvo) |
| 10. Vypínač | 24. Batéria (príslušenstvo) |
| 11. Indikátor bezdrôtovej technológie <i>Bluetooth</i> [®] | |
| 12. Tlačidlo SavE | |
| 13. Indikátor SavE | |
| 14. Indikátor batérie | |

Symbyly na výrobku



UPOZORNENIE!

Postupujte opatrne a používajte výrobok správnym spôsobom. Tento výrobok môže spôsobiť vážne poranenie alebo usmrtienie obsluhujúceho pracovníka alebo iných osôb.



Skôr než začnete produkt používať, pozorne si prečítajte návod na obsluhu a dôsledne sa oboznámte s pokynmi.



Dbajte na to, aby osoby a zvieratá nevstupovali do pracovnej oblasti.



Dávajte pozor na vymrštené predmety a spätné nárazy.



Upozornenie: Udržiavajte ruky a chodidlá mimo dosahu rotujúceho noža.



Upozornenie: Udržiavajte ruky a chodidlá mimo dosahu rotujúcich častí.



Pred vykonávaním opravných prác alebo údržby vyberte bezpečnostný kľúč.



Výrobok nevystavujte dažďu.



Výrobok alebo jeho obal nepredstavuje komunálny odpad. Recyklujte ho v recyklačnej stanici určenej pre elektrické a elektronické zariadenia.



Tento produkt je v súlade s príslušnými smernicami EÚ.



Tento produkt je v súlade s príslušnými smernicami Euroázijskej colnej únie.



Tento produkt je v súlade s príslušnými

smernicami
UkrSEPRO.



Tento výrobok je v súlade s príslušnými smernicami RCM. Platí iba pre AU a NZ.



Emisie hluku do okolia podľa európskej smernice 2000/14/ES a legislatívy v štáte New South Wales „Protection of the Environment Operations (Noise Control) Regulation 2017“ (Nariadenie o ochrane životného prostredia pri prevádzke (kontrola hluku) z roku 2017). Údaje o emisii hluku možno nájsť na štítku stroja a v kapitole s technickými údajmi.

IPX1 Tento výrobok je chránený proti kvapkajúcej vode.

Postup štartovania: stlačte vypínač, uvoľnite poistku naštartovania a ponačte rukoväť motorovej brzdy nadol.



Zastavte uvoľnením rukoväti motorovej brzdy.



Pomaly



Rýchlo



Snímateľný kód

Poznámka: Ostatné symboly/ emblémy na výrobku odkazujú na zvláštne požiadavky certifikácie pre určité trhy.

Štítok na výrobku



Udržiavajte ruky a chodidlá mimo dosahu rotujúcich nožov.

Zodpovednosť za výrobok

V súlade s právnymi predpismi upravujúcimi zodpovednosť za výrobok nenesieme zodpovednosť za škody spôsobené našim výrobkom v dôsledku:

- nesprávne vykonanej opravy výrobku,
- opravy výrobku, pri ktorej neboli použité diely od výrobcu alebo diely schválené výrobcom,

- používania príslušenstva od iného výrobcu alebo príslušenstva, ktoré nie je schválené výrobcom,

- opravy výrobku, ktoré neboli vykonané v schválenom servisnom stredisku alebo schválenými kompetentnými osobami.

Bezpečnosť

Bezpečnostné definície

Výstrahy, upozornenia a poznámky slúžia na zdôraznenie mimoriadne dôležitých častí návodu.



VÝSTRAHA: Používa sa, ak pre obsluhu alebo osoby v okolí existuje nebezpečenstvo poranenia alebo smrti v prípade nedodržania pokynov v návode.



VAROVANIE: Používa sa, ak hrozí nebezpečenstvo poškodenia produktu, iných materiálov alebo okolitej oblasti v prípade nedodržania pokynov v návode.

Poznámka: Používa sa na poskytnutie informácií nad rámec nevyhnutných informácií v danej situácii.

Všeobecné bezpečnostné pokyny



VÝSTRAHA: Skôr než budete výrobok používať, prečítajte si nasledujúce výstrahy.

- Tento výrobok je nebezpečný, ak sa nepoužíva správne alebo ak nie ste pri jeho používaní opatrní. V prípade nedodržania bezpečnostných pokynov hrozí poranenie alebo usmrtenie.
- Tento výrobok vytvára počas prevádzky elektromagnetické pole. Toto pole môže za určitých okolností spôsobovať rušenie aktívnych alebo pasívnych implantovaných lekárskeho prístrojov. Na zníženie rizika vážneho alebo smrteľného zranenia odporúčame, aby sa osoby s implantovanými lekárskeho prístrojmi poradili so svojim lekárom a výrobcom pomôcky ešte pred použitím tohto výrobku.
- Vždy zachovávajte opatrnosť a riaďte sa zdravým úsudkom. Ak si v určitých situáciách nie

ste istí, ako máte výrobok používať, výrobok nepoužívajte a pred pokračovaním v práci sa poraďte s predajcom spoločnosti Husqvarna.

- Myslite na to, že operátor bude zodpovedný za nehody zahŕňajúce iné osoby alebo ich majetok.
- Výrobok udržiavajte čistý. Uistite sa, že sú symboly a emblémy čitateľné.
- Nikdy nedovoľte používať zariadenie deťom ani osobám, ktoré sa neoboznámili s návodom na používanie. Miestne predpisy môžu obmedzovať vek používateľa
- Osoby so zníženými fyzickými alebo duševnými schopnosťami musia byť počas používania výrobku vždy pod dozorom. Vyžaduje sa neustála prítomnosť zodpovednej dospelšej osoby.
- Výrobok nepoužívajte, ak ste unavení, chorí alebo ste pod vplyvom alkoholu, drog alebo liekov. Vyššie uvedené prípady majú negatívny vplyv na váš zrak, ostražitosť, koordináciu a úsudok.
- Výrobok nepoužívajte, ak je poškodený.

- Výrobok žiadnym spôsobom neupravujte ani nepoužívajte, ak existuje možnosť, že bol upravený inými osobami.

Bezpečnosť na pracovisku



VÝSTRAHA: Skôr než budete výrobok používať, prečítajte si nasledujúce výstrahy.

- Pred používaním výrobku odstráňte z pracovnej oblasti všetky predmety, ako sú napr. konáre, vetvy a kamene.
- Predmety, ktoré narazia na rezné zariadenie, môžu byť vymrštené a spôsobiť poranenie osôb alebo poškodenie iných predmetov. Dávajte pozor, aby okolo stojace osoby a zvieratá nevstupovali do pracovnej oblasti.
- Výrobok nikdy nepoužívajte počas nepriaznivých poveternostných podmienok, napríklad v hmle, v daždi, v silnom vetre, v silnom mraze, pri vysokom riziku blýskania. Používanie výrobku počas nepriaznivých poveternostných podmienok alebo na vlhkých alebo mokrých miestach je namáhavé. Nepriaznivé

- poveternostné podmienky môžu mať za následok vznik nebezpečných podmienok, akými sú napr. klzké povrchy.
- Dávajte pozor na osoby, predmety a situácie, ktoré môžu zamedziť bezpečnej prevádzke výrobku.
 - Dávajte pozor na prekážky, ako sú napr. korene, kamene, halúzky, jamy a priekopy. Vysoká tráva môže zakrývať prekážky.
 - Kosenie trávy na svahoch môže byť nebezpečné. Nesnažte sa kosiť mimoriadne strmé svahy. Výrobok nepoužívajte na svahoch so sklonom viac ako 15°
 - Pri zmene smeru jazdy na svahoch dávajte mimoriadny pozor. S výrobkom sa pohybujte po vrstevnici. Nepohybujte sa smerom do svahu a zo svahu.
 - V blízkosti skrytých rohov a objektov, ktoré vám bránia vo výhľade, sa pohybujte opatrne.

Bezpečnosť pri práci



VÝSTRAHA: Skôr než budete výrobok používať, prečítajte si nasledujúce výstrahy.

- Tento výrobok používajte len na kosenie trávy. Výrobok sa nesmie používať na iné úlohy.
- Používajte osobné ochranné pomôcky. Pozrite si časť *Osobné ochranné prostriedky na strane 580*.
- Naučte sa, ako v prípade núdze rýchlo zastaviť motor.
- Výrobok nepoužívajte na daždi alebo vlhkých miestach. V prípade preniknutia vody do výrobku sa zvyšuje riziko zásahu elektrickým prúdom.
- Výrobok nepoužívajte, pokiaľ nie sú nôž a všetky kryty správne upevnené. Nesprávne pripojený nôž sa môže uvoľniť a spôsobiť poranenia osôb.
- Uistite sa, že nôž nenarazí na predmety, ako sú napr. kamene alebo korene. Môže dôjsť k poškodeniu noža a ohnutiú hriadeľa motora. Ohnutá náprava spôsobuje silné vibrácie a vzniká veľké nebezpečenstvo uvoľnenia noža.
- Ak nôž narazí na predmet alebo ak cítite vibrácie, výrobok okamžite vypnite. Zastavte motor, otočte bezpečnostný kľúč do polohy 0 a odstráňte batériu. Skontrolujte, či nie je výrobok poškodený. Opravte akékoľvek

- poškodenie alebo kontaktujte servisného zástupcu.
- Keď je naštartovaný motor, rukoväť motorovej brzdy nesmie byť nikdy trvalo pripevnená k rukoväti.
 - Položte výrobok na stabilný, rovný povrch a naštartujte ho. Uistite sa, že sa nôž nedostane do kontaktu so zemou alebo inými predmetmi.
 - Pri obsluhu vždy stojte za výrobkom.
 - Pri obsluhu výrobku dávajte pozor, aby všetky kolesá dosadali na zem a rukoväť držte oboma rukami. Udržiavajte ruky a chodidlá mimo dosahu rotujúcich nožov.
 - Keď je motor spustený, výrobok nenakláňajte.
 - Pri ťahaní výrobku smerom dozadu buďte opatrní.
 - Výrobok nikdy nedvíhajte, keď je spustený motor. Ak výrobok musíte zdvihnúť, najskôr zastavte motor, otočte bezpečnostný kľúč do polohy 0 a odstráňte batériu.
 - Počas obsluhy výrobku necúvajte.
 - Pri prechádzaní cez oblasti bez trávy, ako sú napr. štrkové, kamenné a asfaltové chodníky, vypnite motor.

- Keď je zapnutý motor, s výrobkom neutekajte. Počas obsluhy výrobku vždy kráčajte.
- Pred zmenou výšky rezu zastavte motor. Nikdy nevykonávajte nastavenia so spusteným motorom.
- Nikdy nenechávajte výrobok bez dozoru, keď je zapnutý motor. Zastavte motor a uistite sa, že sa rezné zariadenie neotáča.

Bezpečnostné pokyny pre prevádzku

Osobné ochranné prostriedky



VÝSTRAHA: Skôr než budete výrobok používať, prečítajte si nasledujúce výstrahy.

- Osobné ochranné prostriedky nedokážu úplne vylúčiť riziko, ale môžu znížiť vážnosť zranenia v prípade nehody. Váš predajca vám pomôže pri výbere správnych prostriedkov.
- Noste odolné protišmykové topánky. Výrobok neobsluhujte v otvorených topánkach ani s bosými nohami.
- Noste dlhé odolné nohavice.
- Keď je to potrebné, používajte ochranné rukavice, ako napríklad pri montáži, kontrole

alebo čistení rezného zariadenia.

Bezpečnostné zariadenia na výrobku



VÝSTRAHA: Skôr než budete produkt používať, prečítajte si nasledujúce výstrahy.

- Nepoužívajte produkt, ktorý má chybné bezpečnostné zariadenia.
- Pravidelne kontrolujte bezpečnostné zariadenia. Ak sú bezpečnostné zariadenia chybné, obráťte sa na servisného zástupcu spoločnosti Husqvarna.

Kontrola krytu rezacej časti

Kryt rezacej časti tlmí vibrácie vo výrobku a znižuje riziko poranenia kotúčom.

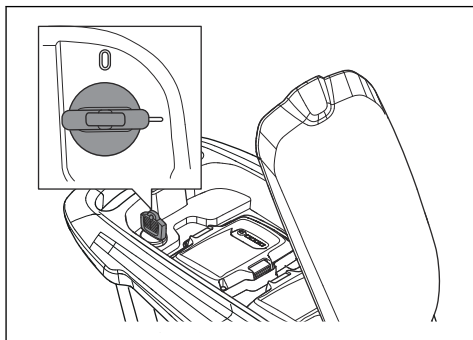
- Skontrolujte kryt rezacej časti, aby ste sa uistili, že na ňom nie sú žiadne známky poškodenia, ako sú napr. praskliny.

Bezpečnostný kľúč

Bezpečnostný kľúč sa nachádza pod krytom batérie. Bezpečnostný kľúč slúži na

pripojenie batérie, ktorá napája motor.

- Pred vykonaním kontroly bezpečnostného kľúča naštartujte a vypnite motor.
- Ak bezpečnostný kľúč funguje správne, motor sa môže spustiť iba vtedy, keď je bezpečnostný kľúč v polohe 1.



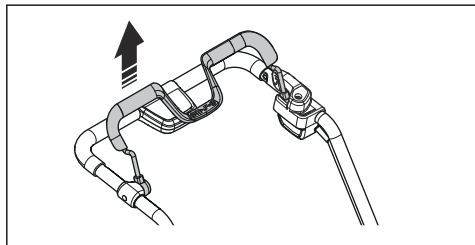
Rukoväť motorovej brzdy

Rukoväť motorovej brzdy slúži na zastavenie motora. Keď rukoväť motorovej brzdy uvoľníte, motor sa zastaví.

Ak chcete motorovú brzdú skontrolovať, naštartujte motor a potom uvoľníte rukoväť motorovej brzdy. Ak sa motor v priebehu 3 sekúnd nezastaví, požiadajte servisného zástupcu

spoločnosti Husqvarna
o nastavenie motorovej brzdy.

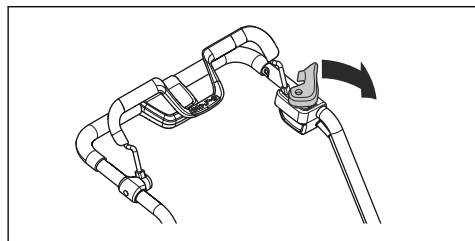
používať, prečítajte si
nasledujúce výstrahy.



Kontrola poistky naštartovania

Skontrolujte poistku naštartovania, aby ste sa uistili, že zabraňuje prevádzke motora.

1. Potlačte páku pohonu smerom k hornej rukoväti. Poistka naštartovania zastaví pohyb.
2. Zatlačte poistku naštartovania smerom von.



3. Uvoľnite poistku naštartovania a uistite sa, že sa vráti do svojej pôvodnej polohy.

Bezpečnosť batérie



VÝSTRAHA: Skôr než budete výrobok

- Ako napájací zdroj používajte nabíjateľné batérie Husqvarna len pre výrobky typu Husqvarna. V prípade iných zariadení nepoužívajte batériu ako zdroj napájania, aby ste zabránili riziku zranenia.
- Nepoužívajte nenabíjateľné batérie.
- Nebezpečenstvo zásahu elektrickým prúdom. Nepripájajte konektory batérie ku kľúčom, minciam, skrutkám ani k iným kovovým predmetom. Môže dôjsť k skratu batérie.
- Do vetracích otvorov batérie nekladajte žiadne predmety.
- Batériu nevystavuje priamemu slnečnému žiareniu, teplu ani otvorenému ohňu. Batéria môže vybuchnúť a spôsobiť popálenie alebo poleptanie.
- Batériu nevystavuje dažďu ani vlhku.
- Batériu nevystavuje mikrovlnnému žiareniu ani vysokému tlaku.
- Nepokúšajte sa rozoberať ani rozdrviť batériu.
- V prípade úniku kvapaliny z batérie zabráňte zasiahnutiu pokožky a očí kvapalinou.

V prípade kontaktu s kvapalinou umyte zasiahnutú oblasť veľkým množstvom vody a vyhľadajte lekársku pomoc.

- Batériu používajte v prostredí, v ktorom sa teplota pohybuje od $-10\text{ }^{\circ}\text{C}$ do $40\text{ }^{\circ}\text{C}$.
- Batériu ani nabíjačku batérií nečistite vodou. Pozrite si časť *Čistenie batérie a nabíjačky batérií na strane 591*.
- Nepoužívajte chybnú ani poškodenú batériu.
- Batérie uchovávajte v bezpečnej vzdialenosti od kovových predmetov, ako sú napr. klince, mince, šperky.

Bezpečnosť nabíjačky batérií



VÝSTRAHA: Skôr než budete výrobok používať, prečítajte si nasledujúce výstrahy.

- Na nabíjanie náhradných batérií Husqvarna používajte len nabíjačky batérií QC.
- Riziko zasiahnutia elektrickým prúdom alebo skratu. Do vetracích otvorov nabíjačky nevkladajte žiadne predmety. Nabíjačku batérií sa nepokúšajte rozoberať. Koncovky nabíjačky nikdy nepripájajte ku kovovým

predmetom. Používajte schválenú elektrickú zásuvku.

- Tento výrobok vytvára počas prevádzky elektromagnetické pole. Toto pole môže za určitých okolností spôsobovať rušenie aktívnych alebo pasívnych implantovaných lekárskeho prístrojov. Zníženie rizika podmienok, ktoré môžu viesť k vážnemu alebo aj smrteľnému poraneniu, si vyžaduje, aby sa osoby s implantovanými pomôckami poradili so svojím lekárom a výrobcom pomôcky ešte pred použitím tohto výrobku.
- Pravidelne kontrolujte, či napájací kábel nabíjačky batérií nie je poškodený a či na ňom nie sú praskliny.
- Nabíjačku batérií nedvíhajte za napájací kábel. Pri odpájaní nabíjačky batérií od sieťovej zásuvky ťahajte za zástrčku. Neťahajte za napájací kábel.
- Udržujte všetky napájacie káble a predlžovacie káble v bezpečnej vzdialenosti od vody, oleja a ostrých hrán. Ubezpečte sa, že kábel nie je privretý vo dverách, plotoch a podobne. Môže to spôsobiť, že nabíjačka bude pod napätím.

- Nabíjačku batérií nečistite vodou.
- Nabíjačku batérií smú používať deti od 8 rokov a osoby s obmedzenými fyzickými, zmyslovými alebo mentálnymi schopnosťami alebo s nedostatkom skúseností a vedomostí, pokiaľ sú pod dohľadom alebo boli poučené o bezpečnom používaní nabíjačky batérií a chápu súvisiace riziká. Deti sa nesmú s nabíjačkou batérií hrať. Deti nesmú vykonávať čistenie ani údržbu zariadenia, ak nie sú pod dozorom.
- Nenabíjateľné batérie nenabíjajte v nabíjačke batérií.
- Nabíjačku batérií nepoužívajte v blízkosti horľavých materiálov alebo materiálov, ktoré spôsobujú koróziu. Nabíjačku batérií nezakrývajte. V prípade výskytu dymu alebo ohňa odpojte zástrčku nabíjačky batérií.
- Nepoužívajte chybnú alebo poškodenú nabíjačku batérií.
- Batériu nabíjajte len v interiéri na miestach s dobrým prúdením vzduchu a mimo slnečného svetla. Batériu nenabíjajte vo vlhkom prostredí.

Bezpečnostné pokyny pre údržbu



VÝSTRAHA: Skôr než budete výrobok používať, prečítajte si nasledujúce výstrahy.

- Otočte bezpečnostný kľúč do polohy 0 a vyberte batériu, aby ste zabránili náhodnému spusteniu počas údržby. Pred začiatkom údržby počkajte minimálne 5 sekúnd.
- Správnym vykonaním údržby zvýšite životnosť výrobku a znížite nebezpečenstvo nehôd. Vykonanie odborných opráv zverte schválenému servisnému zástupcovi. Ďalšie informácie získate od najbližšieho servisného zástupcu.
- Vykonávajte len údržbu uvedenú v tomto návode na obsluhu. Náročnejšie práce musí vykonávať schválený servisný zástupca.
- Pri používaní rezného zariadenia používajte odolné rukavice. Nôž je veľmi ostrý a ľahko môže dôjsť k porezaniu.
- Rezné hrany udržiavajte ostré a čisté, aby ste dosiahli ten najlepší a najbezpečnejší výkon.

- Nechajte výrobok pravidelne prehliadnúť servisným zástupcom a vykonať na ňom potrebné nastavenia a opravy.
- Vymeňte všetky poškodené, opotrebované alebo zlomené diely.
- Pri výmene príslušenstva sa riaďte pokynmi. Používajte iba príslušenstvo od daného výrobcu.
- Keď sa výrobok, batéria a nabíjačka batérií nepoužívajú, skladujte ich oddelene na suchom mieste uzamknuté v interiéri. Zaistite, aby sa k výrobku, batérii ani k nabíjačke batérií nedostali deti ani neoprávnené osoby.

Montáž

Úvod



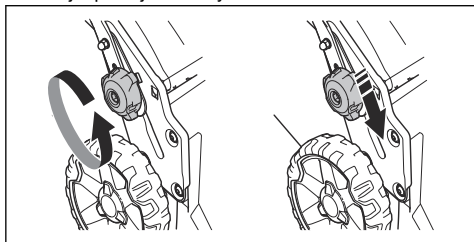
VÝSTRAHA: Pred zostavením výrobku si prečítajte kapitolu o bezpečnosti.



VÝSTRAHA: Neúmyselnému spusteniu počas montáže predídete otočením bezpečnostného kľúča do polohy 0, vybratím batérie a dodržaním aspoň 5-sekundovej prestávky.

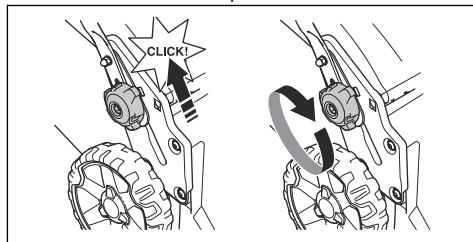
Nastavenie rukoväti

1. Uvoľnite spodné gombíky.
2. Posuňte gombíky smerom k spodnej časti drážok na ľavej a pravej strane výrobku.



3. Nastavte výšku rukoväti do jednej z 2 dostupných polôh.

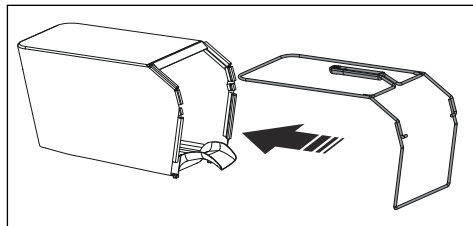
4. Posuňte gombíky nahor smerom k rukoväti, kým sa nezastavia a nebudete počuť kliknutie.



5. Gombíky utiahnite na doraz.

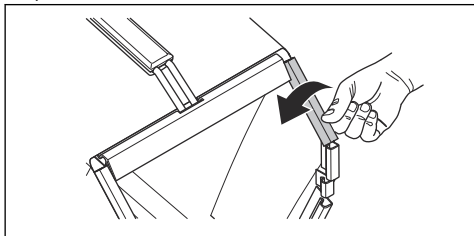
Zostavenie zberného koša

1. Prípojte rám zberného koša k vaku na trávu tak, aby pevná časť vaku bola na spodnej strane. Rukoväť rámu držte nad vakom na trávu.

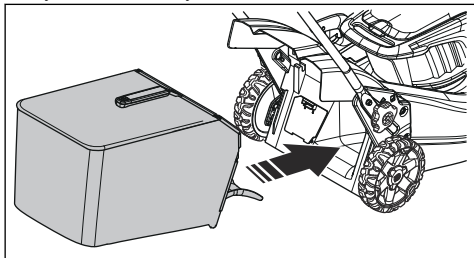


2. Prípojte spodnú časť rámu zberného koša do drážky v spodnej časti zberného koša.

3. Vak na trávu pripojte k rámu zberného koša pomocou svoriek.

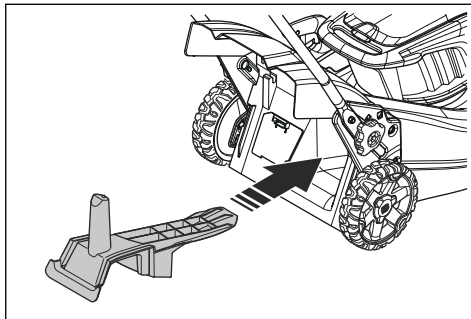


4. Nadvihnite zadný kryt.
5. Upevnite zberný kôš na horný okraj rámu.
6. Vložte spodnú časť zberného koša do kanála na vyhadzovanie trávy.



Osadenie mulčovacej zarážky (príslušenstvo)

1. Nadvihnite zadný kryt a vyberte zberný kôš.
2. Do kanála na vyhadzovanie trávy vložte prípojku na mulčovanie.



3. Vymeňte nôž za mulčovací nôž dodávaný v súprave na mulčovanie. Pozrite si časť *Demontáž a výmena noža* na strane 591.

Prevádzka

Úvod



VÝSTRAHA: Pred používaním výrobku si musíte prečítať kapitolu o bezpečnosti a porozumieť informáciám, ktoré sa v nej uvádzajú.

Husqvarna Connect

Husqvarna Connect je bezplatná aplikácia pre mobilné zariadenia. Aplikácia Husqvarna Connect prináša rozšírené funkcie pre výrobok Husqvarna:

- Rozšírené informácie o výrobku.
- Informácie a podpora vzťahujúce sa na súčasť výrobku a servis.

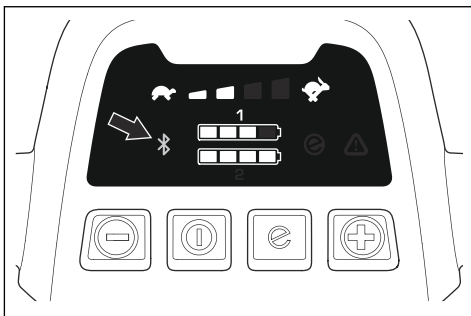
Ak chcete začať, použite Husqvarna Connect

1. Stiahnite si aplikáciu Husqvarna Connect do mobilného zariadenia.
2. Zaregistrujte sa v aplikácii Husqvarna Connect.
3. Ak chcete pripojiť a zaregistrovať produkt, postupujte podľa pokynov v aplikácii Husqvarna Connect.

Informácie o Bluetooth® (LC 247iX, LC 347iVX, LC 353iVX)

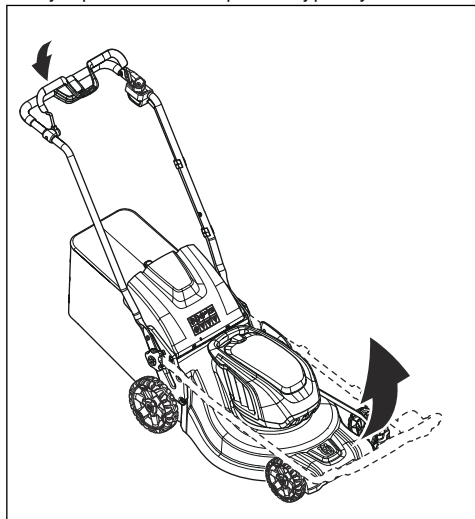
Bezdrôtová technológia Bluetooth®

Symbol pre bezdrôtovú technológiu *Bluetooth®* sa rozsvieti, keď je vaše mobilné zariadenie pripojené k výrobku.

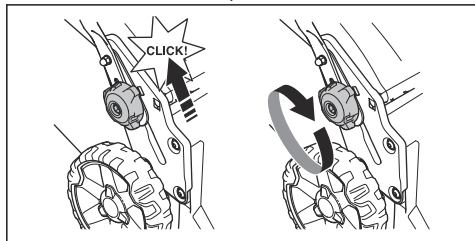


Nastavenie výrobku do prevádzkovej polohy

1. Vyklopte rukoväť do vzpriamenej polohy.



2. Posuňte gombíky nahor smerom k rukoväti, kým sa nezastavia a nebudete počuť kliknutie.



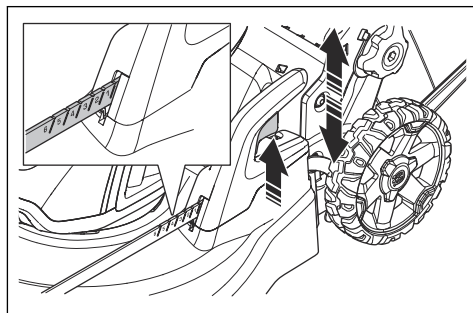
3. Gombíky utiahnite na doraz.

Nastavenie výšky rezu

Výšku rezu možno nastaviť v šiestich rôznych úrovniach.

1. Ak chcete znížiť výšku rezu, posuňte páku výšky rezu smerom dolu.

2. Ak chcete zvýšiť výšku rezu, posuňte páku výšky rezu smerom hore.



VAROVANIE: Nenastavujte výšku rezu príliš nízko. Ak nie je povrch trávnik rovinný, nože môžu narážať o zem.

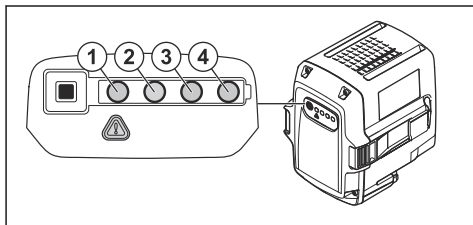
Batéria



VÝSTRAHA: Pred používaním batérie si musíte prečítať kapitolu o bezpečnosti a porozumieť informáciám, ktoré sa v nej uvádzajú. Okrem toho si musíte prečítať návod na obsluhu batérie a nabíjačky batérií a porozumieť jeho obsahu.

Stav batérie

Na displeji sa zobrazuje zostávajúca kapacita batérie a prípadné problémy s batériou. Kapacita batérie sa zobrazí na 5 sekúnd po vypnutí výrobku alebo po stlačení tlačidla indikátora batérie. Výstražný symbol na batérii sa rozsvieti, keď sa vyskytne chyba. Pozrite si časť *Batéria na strane 592*.



LED svetlá	Stav batérie
Všetky LED svetlá svietia	Plne nabitá (75 – 100 %)
Svieti LED 1, LED 2, LED 3	Batéria je nabitá na 50 % – 75 %
Svieti LED 1, LED 2	Batéria je nabitá na 25 % – 50 %
Svieti LED 1	Batéria je nabitá na 0 % – 25 %.

LED svetlá	Stav batérie
Bliká LED 1	Batéria je vybitá. Nabite batériu.

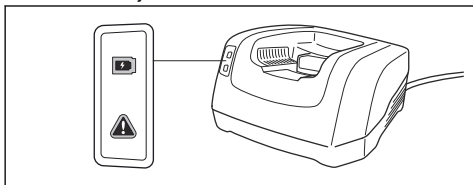
Nabíjanie batérie

Batériu nabite pred prvým použitím. Pri dodaní zákazníkovi je batéria nabitá len na 30 % kapacity.

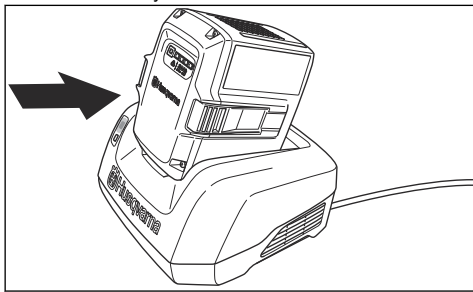
Poznámka: Nabíjačka batérie musí byť pripojená k sieti s napätím a frekvenciou, ktoré sa uvádzajú na výkonnovom štítku.

Batéria sa nenabíja, ak teplota batérie prekročí 50 °C. Pred začiatkom nabíjania nabíjačka batérií zníži teplotu batérie.

1. Jeden koniec napájacieho kábla nabíjačky batérií pripojte k zásuvke na nabíjačke batérií.
2. Druhý koniec napájacieho kábla nabíjačky batérií pripojte k uzemnenej sieťovej zásuvke. Indikátor LED na nabíjačke batérií raz blikne nazeleno.



3. Vložte batériu do nabíjačky batérií. Po správnom pripojení batérie k nabíjačke batérií sa na nabíjačke rozsvieti zelený indikátor.



4. Keď svietia všetky indikátory LED na batérii, batéria je plne nabitá. Batériu nabíjajte maximálne 24 hodín.
5. Pri odpájaní nabíjačky batérií od sieťovej zásuvky ťahajte za zástrčku, nie za šnúru.
6. Vyberte batériu z nabíjačky batérií.

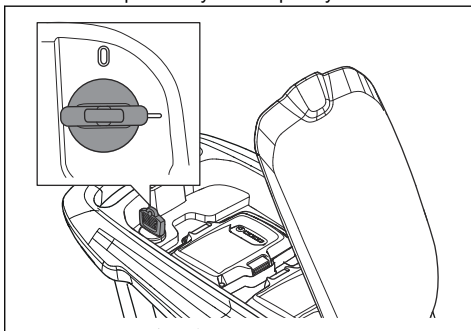
Stav nabíjania batérie

Lítium-iónová batéria Husqvarna sa dá nabíjať a používať pri všetkých úrovniach nabitia. Batéria nie je poškodená. Kapacita úplne nabitých batérií sa neznižuje, keď ju necháte v nabíjačke.

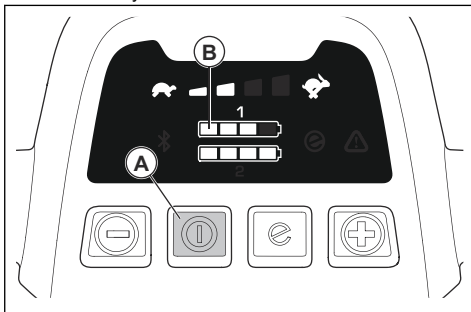
LED displej	Stav nabíjania
Bliká LED 1	0 % – 25 %
LED 1 svieti, LED 2 bliká	25 % – 50 %
LED 1, LED 2 svietia, LED 3 bliká	50 % – 75 %
LED 1, LED 2, LED 3 svietia, LED 4 bliká	75 % – 100 %
LED 1, LED 2, LED 3, LED 4 svietia	Úplne nabitá

Zapnutie produktu

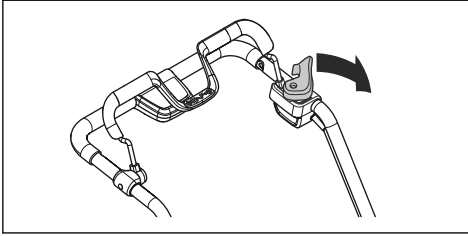
1. Otvorte kryt batérie.
2. Vložte nabitú batériu do jedného z držiakov batérie. Na zaistenie dlhšieho času prevádzky vložte druhú nabitú batériu do druhého držiaka batérie.
3. Otočte bezpečnostný kľúč do polohy 1.



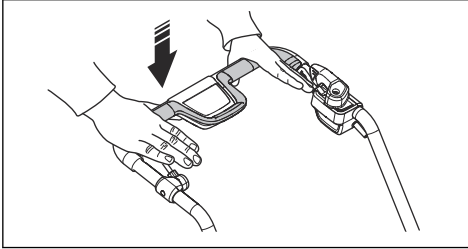
4. Stoje za výrobkom.
5. Na ovládacom paneli stlačte tlačidlo ON/OFF (Zap./Vyp.) (A). Rozsvieti sa displej. Indikátor batérie (B) zobrazuje úroveň nabitia oboch batérií. Číslo batérie, ktorá sa používa, je zobrazené vedľa indikátora batérie. V prípade modelov LC 347iV, LC 347iVX, LC 353iV, LC 353iVX sa na displeji zobrazuje aj nastavená rýchlosť.



6. Povoľte poistku naštartovania.

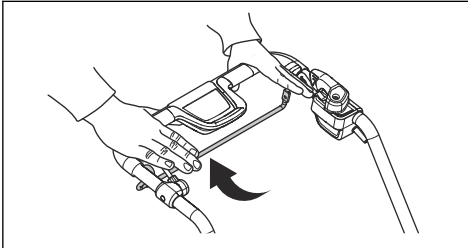


7. Potlačte páku pohonu smerom k hornej rukoväti.

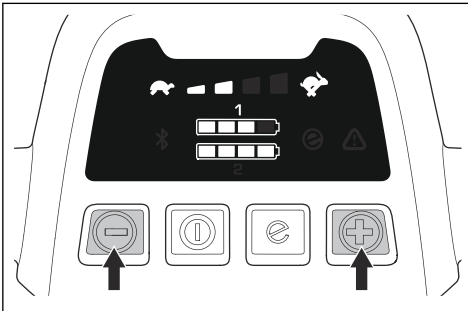


Používanie pohonu na kolesách LC 347iV, LC 347iVX, LC 353iV, LC 353iVX

- Potiahnutím páky pohonu smerom k rukoväti spustíte pohon.



- Stláčaním tlačidiel + a – na ovládacom paneli v 4 krokoch nastavíte rýchlosť jazdy.

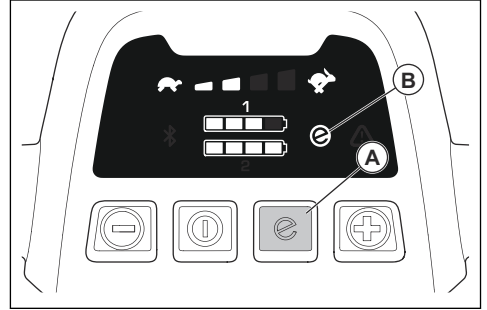


- Uvoľnením páky pohonu deaktivujete pohon, napr. keď sa pohybuje v blízkosti prekážok.

Používanie funkcie

Výrobok je vybavený funkciou na šetrenie energie batérie (), ktorá mu umožní dosiahnuť dlhší prevádzkový čas.

1. Funkciu spustíte stlačením tlačidla (A). Na displeji sa rozsvieti symbol (B).
2. Opätovným stlačením tlačidla vypnete funkciu. Na displeji zhasne symbol (B).



Funkcia sa preruší automaticky, ak si stav terénu vyžaduje použiť vyšší výkon. Funkcia sa automaticky opäť spustí, keď to stav terénu umožní.

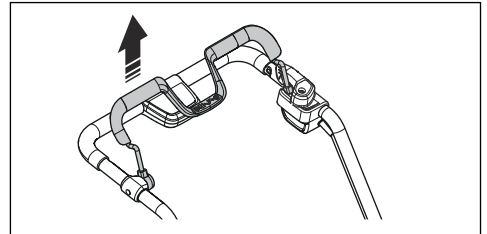
Funkcia vysokého zaťaženia

Keď výrobok kosí dlhú alebo mokrú trávu, motor automaticky zvýši otáčky. Motor sa vráti do štandardného režimu, keď už vysoké zaťaženie nie je potrebné.

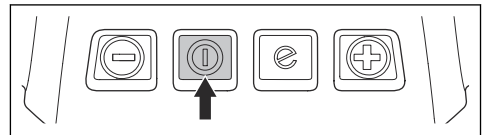
Vypnutie výrobku

Výrobok sa automaticky zastaví, ak ho nepoužívate aspoň 10 minút. Skôr než spustíte výrobok z dohľadu, vždy otočte bezpečnostný kľúč do polohy 0.

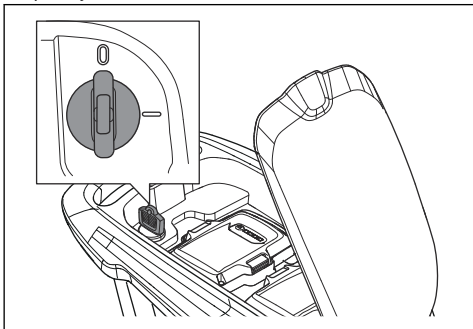
1. Motor zastavíte uvoľnením brzdovej rukoväti motora.



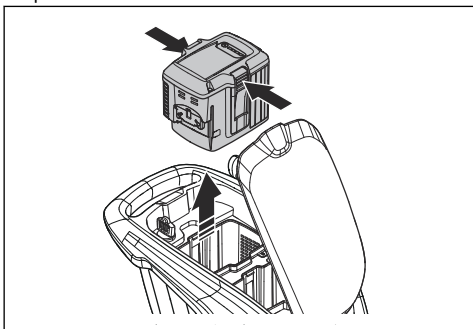
2. Na ovládacom paneli stlačte tlačidlo ON/OFF (Zap./Vyp.). Všetky diódy LED a symboly na displeji zhasnú.



3. Otvorte kryt batérie a otočte bezpečnostný kľúč do polohy 0.



4. Batériu vyberte zatlačením 2 uvoľňovacích tlačidiel a potiahnutím batérie smerom von.



5. Ak má batéria nízku kapacitu, nabite ju. Ďalšie informácie získate v časti *Nabíjanie batérie na strane 588*.

Zabezpečenie optimálnych výsledkov kosenia

- Vždy používajte ostrý nôž. Tupý nôž poskytuje nepravidelné výsledky kosenia a pokosený povrch trávniku zožltne. Ostrý nôž spotrebuje menej energie ako tupý nôž.
- Nekoste viac ako 1/3 dĺžky trávy. Najprv koste s nastavenou vysokou výškou rezu. Skontrolujte výsledok a znížte výšku rezu na príslušnú úroveň. Ak je tráva veľmi vysoká, pohybujte sa pomaly a ak je to potrebné, pokoste ju dvakrát.
- Zakaždým koste iným smerom, aby ste predišli vzniku pruhov na trávniku.

Kosenie trávy bez pripojeného zberného koša alebo zasunutej mulčovacej zarážky

- Nadvihnite zadný kryt a vyberte zberný kôš.
- Ak sa používa mulčovacia zarážka a mulčovací nôž, demontujte ich.
- Pred používaním výrobku zatvorte zadný kryt.

Pri používaní výrobku sa pokosená tráva vyhadzuje pod zadným krytom.

Údržba

Úvod



VÝSTRAHA: Pred vykonávaním akejkoľvek údržby si musíte prečítať kapitolu o bezpečnosti a porozumieť jej.

Údržba a opravné práce na výrobku si vyžadujú špeciálne školenie. Zaručujeme dostupnosť profesionálnych opravných prác a údržby. Ak váš predajca nie je servisný zástupca, kontaktujte predajcu,

ktorý vám poskytne informácie o najbližšom servisnom zástupcovi.

Plán údržby

Intervaly údržby sú vypočítané na základe každodenného používania výrobku. Ak sa výrobok nepoužíva každý deň, tieto intervaly sa menia.

V prípade údržby označenej symbolom * si pozrite pokyny v kapitole *Bezpečnostné pokyny pre prevádzku na strane 580*.

	Pri každom použití	Mesačne	Každú sezónu
Vykonajte všeobecnú kontrolu	X		
Vyčistite výrobok	X		
Skontrolujte poistku naštartovania *	X		
Skontrolujte, či sú bezpečnostné zariadenia na produkte nepoškodené *	X		
Skontrolujte rezné zariadenie	X		

	Pri každom použití	Mesačne	Každú sezónu
Skontrolujte kryt rezacej časti *	X		
Skontrolujte rukoväť brzdy motora *	X		
Skontrolujte správnosť funkcie vypínača a zistite, či nemá poruchu	X		
Skontrolujte, či batéria nie je poškodená	X		
Skontrolujte nabitie batérie	X		
Skontrolujte, či uvoľňovacie tlačidlá na batérii fungujú správne a riadne zaistia batériu vo výrobku	X		
Skontrolujte, či nabíjačka batérií nie je poškodená, a presvedčte sa, či funguje správne.		X	
Skontrolujte prepojenia medzi batériou a výrobkom. Skontrolujte aj prepojenie medzi batériou a nabíjačkou batérií.			X

Vykonanie všeobecnej kontroly

- Uistite sa, že sú dotiahnuté matice a skrutky na výrobku.
- Skontrolujte, či káble výrobku nie sú v polohe, v ktorej by sa mohli poškodiť.

Čistenie výrobku

- Plastové diely čistíte čistou a suchou handričkou.
- Výrobok neumývajte vodou. Voda môže preniknúť do batérie alebo motora a spôsobiť skrat alebo poškodenie výrobku.
- Na čistenie výrobku nepoužívajte vysokotlakový čistič.
- Nikdy nelejte vodu priamo na motor.
- Pomocou kefy odstráňte listy, trávu a nečistoty.

Čistenie batérie a nabíjačky batérií



VAROVANIE: Batériu ani nabíjačku batérií nečistíte vodou.

- Pred vloženíím batérie do nabíjačky batérií skontrolujte, či sú batéria a nabíjačka batérií čisté a suché.
- Svorky batérie čistíte stlačeným vzduchom alebo mäkkou a suchou handričkou.
- Povrch batérie a nabíjačky batérií čistíte mäkkou a suchou handričkou.

Kontrola rezného zariadenia



VÝSTRAHA: Aby ste zabránili náhodnému spusteniu, otočte bezpečnostný kľúč do polohy 0, vyberte batériu a počkajte minimálne 5 sekúnd.



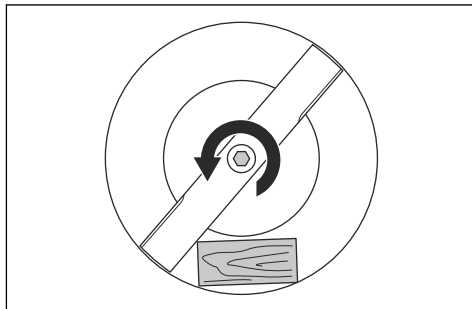
VÝSTRAHA: Pri vykonávaní údržby rezného zariadenia používajte ochranné rukavice. Nôž je veľmi ostrý a ľahko môže dôjsť k porezaniu.

1. Skontrolujte, či sa na reznom zariadení nenachádzajú známky poškodenia alebo praskliny. Poškodené rezné zariadenie vždy vymeňte.
2. Skontrolujte, či nie je poškodený alebo tupý nôž.

Poznámka: Po nabrúsení je potrebné nôž vyrovnat'. Nôž nechajte nabrúsiť, vymeniť a vyrovnat' v servisnom stredisku. Ak narazíte na predmet, ktorý spôsobí zastavenie výrobku, vymeňte poškodený nôž. Nechajte, aby servisné stredisko rozhodlo, či je možný nôž nabrúsiť alebo sa musí vymeniť.

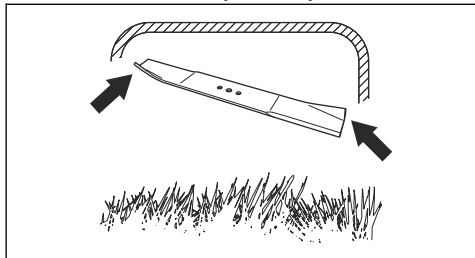
Demontáž a výmena noža

1. Pomocou dreveného bloku zaistíte nôž.



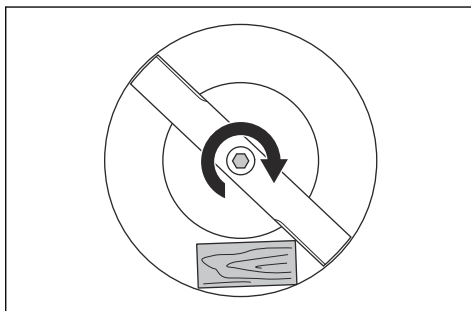
2. Odstráňte skrutku noža.
3. Odstráňte nôž.

4. Skontrolujte držiak noža a skrutku noža kvôli známkam poškodenia.
5. Skontrolujte hriadeľ motora a uistite sa, že nie je ohnutý.
6. Pri upevňovaní nového noža nasmerujte zošíkmené konce noža v smere krytu rezacej časti.



7. Uistite sa, že je nôž zarovnaný so stredom hriadeľa motora.

8. Pomocou dreveného bloku zaistíte nôž. Založte odpruženú podložku a utiahnite skrutku a podložku momentom 23 – 28 Nm.



9. Rukou potočte nožom a uistite sa, že sa voľne otáča.



VÝSTRAHA: Používajte odolné rukavice. Nôž je veľmi ostrý a ľahko môže dôjsť k porenaniu.

10. Zapnite výrobok a otestujte nôž. Ak nôž nie je správne upevnený, výrobok vibruje alebo poskytuje neuspokojivé výsledky kosenia.

Riešenie problémov

Batéria

Indikátory LED na batérii	Možné poruchy	Možný postup
Bliká zelený indikátor LED	Napätie batérie je nízke	Nabite batériu. Pozrite si časť <i>Nabíjanie batérie na strane 588</i> .
Bliká indikátor LED, ktorý signalizuje poruchu	Kapacita batérie je nízka	Nabite batériu. Pozrite si časť <i>Batéria na strane 592</i> .
	Teplota pracovného prostredia je príliš vysoká alebo príliš nízka	Batériu používajte v prostredí, v ktorom sa teplota pohybuje od $-10\text{ }^{\circ}\text{C}$ do $40\text{ }^{\circ}\text{C}$.
	Prepätie	Skontrolujte, či sieťové napätie zodpovedá údajom uvedenému na výkonovom štítku výrobku. Vyberte batériu z nabíjačky batérií. Počkajte 5 sekúnd a znova vyskúšajte nabiť batériu. Ak problém pretrváva, obráťte sa na autorizovaného servisného zástupcu.
Svieti indikátor LED, ktorý signalizuje poruchu	Rozdiel v článkoch príliš veľký (1 V)	Obráťte sa na schváleného servisného zástupcu.

Nabíjačka batérií

Indikátor LED na nabíjačke batérií	Možné poruchy	Možný postup
Bliká indikátor LED, ktorý signalizuje poruchu	Teplota pracovného prostredia je príliš vysoká alebo príliš nízka	Nabíjačku batérií používajte pri teplotách od 5 °C do 40 °C.
Svieti indikátor LED, ktorý signalizuje poruchu		Obráťte sa na schváleného servisného zástupcu

Ovládací panel

Klávesnica	Chybový kód (počet bliknutí)	Možné poruchy	Možná činnosť
Bliká dióda LED signalizujúca poruchu	3	Motor je preťažený	Zvýšte výšku rezu. Pozrite si časť <i>Nastavenie výšky rezu na strane 587</i> .
	5	Otáčky motora výrazne klesajú a motor sa zastavuje	
	10	Riadenie motora je príliš horúce	Zastavte motor a počkajte, kým nevychladne
	2	Nôž je zablokovaný	Aby ste zabránili náhodnému spusteniu, otočte bezpečnostný kľúč do polohy 0, vyberte batériu a počkajte minimálne 5 sekúnd. Skontrolujte, či sa nôž môže voľne otáčať. Ak problém pretrváva, obráťte sa na autorizovaného servisného zástupcu
	9	Chyba batérie alebo žiaden signál z batérie	Vložte batériu do výrobku správne a skontrolujte konektor batérie. Ak bliká chybový indikátor LED na batérii. Pozrite si časť <i>Batéria na strane 587</i> .
Výrobok sa zastaví	8	Kapacita batérie je nízka	Nabite batériu. Pozrite si časť <i>Nabíjanie batérie na strane 588</i> .
	0	Chyba konektora batérie	Skontrolujte konektor batérie
Ďalšie chyby	Ak sa vyskytnú ďalšie chyby, otočte bezpečnostný kľúč do polohy 0, vyberte batériu a obráťte sa na autorizovaného servisného zástupcu.		

Preprava, skladovanie a likvidácia

Úvod

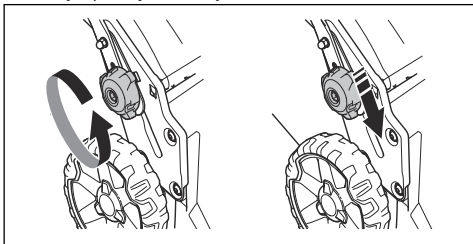


VÝSTRAHA: Neúmyselnému spusteniu počas prepravy predídete otočením bezpečnostného kľúča do polohy 0, vybratím batérie a aspoň 5-sekundovou prestávkou.

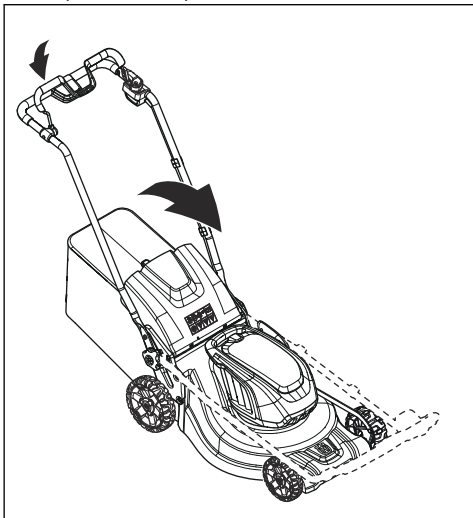
Nastavenie výrobku do transportnej polohy

1. Uvoľnite spodné gombíky.

2. Posuňte gombíky smerom k spodnej časti drážok na ľavej a pravej strane výrobku.



3. Skoppte držadlo dopredu.



4. Odstráňte zberný kôš

Preprava

- Právne predpisy upravujúce nebezpečný tovar sa vzťahujú aj na používané lítium-iónové batérie.
- Pri obchodnej preprave treba dodržiavať špeciálne požiadavky týkajúce sa balenia a štítkov.
- Počas prípravy výrobku na prepravu zaistíte, aby ste spĺňali právne predpisy týkajúce sa nebezpečných materiálov. Na túto situáciu sa môžu vzťahovať aj miestne nariadenia.
- Pred prepravou vždy vyberte batériu.
- Konektory batérie prelepte páskou a zaistíte, aby sa batéria počas prepravy nehýbala.
- Počas prepravy výrobok zaistíte.

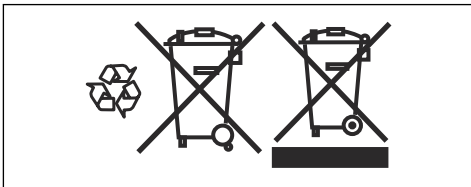
Skladovanie

- Pred uložením vždy vyberte batériu.
- Aby ste predišli nehodám, ubezpečte sa, že batéria nie je počas skladovania pripojená k výrobku.
- Nabíjačku batérie skladujte v uzavretých a suchých priestoroch.
- Batériu a nabíjačku batérie skladujte v uzavretých a suchých priestoroch, kde nie sú vystavené vlhkosti ani mrazu.
- Počas skladovania odpojte batériu od nabíjačky.
- Neskladujte batériu na mieste s výskytom statickej elektriny. Batériu nevkladajte do kovovej skrinky.
- Batériu skladujte v priestoroch, kde sa teplota pohybuje od 5 °C do 25 °C, a nikdy ju nevystavujte priamemu slnečnému svetlu.
- Nabíjačku batérie skladujte v priestoroch, kde sa teplota pohybuje od 5 °C do 45 °C, a nikdy ju nevystavujte priamemu slnečnému svetlu.
- Pred dlhodobým skladovaním sa uistite, že batéria je nabitá na 30 – 50 % kapacity.
- Výrobok, batériu a nabíjačku batérie skladujte v uzamknutom priestore mimo dosahu detí a neoprávnených osôb.
- Pred dlhodobým uskladnením výrobok vyčistite a vykonajte kompletný servis.

Likvidácia

Symby na výrobku alebo na obale výrobku označujú, že sa tento výrobok nesmie likvidovať ako domáci odpad. Musí sa odovzdať do príslušnej recyklačnej stanice pre recykliáciu elektrických a elektronických zariadení.

Zaistením správnej likvidácie tohto výrobku pomôžete zabrániť potenciálnemu negatívemu dopadu na životné prostredie a zdravie ľudí, ktorý by inak mohol byť dôsledkom nesprávnej likvidácie tohto výrobku. Podrobnejšie informácie o recykliácii tohto výrobku získate na mestskom úrade, od služby zaisťujúcej spracovanie domáceho odpadu alebo v predajni, kde ste výrobok zakúpili.



Technické údaje

Technické údaje

	LC 247iX/LC 247i	LC 347iVX/LC 347iV	LC 353iVX/LC 353iV
Kosiaci motor			
Typ motora	BLDC (bezkontaktný) 36V	BLDC (bezkontaktný) 36V	BLDC (bezkontaktný) 36V
Otáčky motora – SavE, ot./min.	2600	2600	2600
Otáčky motora – menovité, ot./min.	3000	3 000	3000
Otáčky motora – vysoké zaťaženie, ot./min.	3500	3500	3500
Výstupný výkon motora – max., kW	0,96	0,96	1,05
Výstupný výkon motora – menovitý, kW	0,75	0,75	0,9
Hnací motor			
Výstupný výkon motora – menovitý, kW	–	0,25	0,25
Rýchlosť kráčania, km/h	–	3,0 – 4,5	3,0 – 4,5
Úrovně nastavenia rýchlosti	–	4	4
Hmotnosť			
Hmotnosť bez batérie, kg	24	26	28
Batéria			
Typ batérie	Rad batérií Husqvarna	Rad batérií Husqvarna	Rad batérií Husqvarna
Prevádzková doba batérie			
Prevádzková doba batérie, min. (prevádzka naprázdno) s aktivovanou funkciou SavE, s batériou 5,2 Ah Husqvarna (BLi200).	43	43	32
Prevádzková doba batérie, min. (prevádzka naprázdno) s aktivovaným štandardným režimom, s 5,2 Ah batériou Husqvarna (Bli200).	30	30	20
Emisie hluku⁶⁷			
Nameraná úroveň hlučnosti dB(A)	94	94	97
Zaručená úroveň hlučnosti L _{WA} dB(A)	95	95	98
Úrovně hlučnosti⁶⁸			
Hladina akustického tlaku pri uchu obsluhy, dB (A)	82	82	86
Úrovně vibrácií⁶⁹			

⁶⁷ Hladina hluku meraná ako akustický tlak (L_{WA}) v súlade s európskou smernicou 2000/14/ES.

⁶⁸ Uvádzané údaje pre hladinu akustického tlaku majú typický štatistický rozptyl (štandardnú odchýlku) 1,2 dB (A).

⁶⁹ Uvádzané údaje pre ekvivalentný stupeň vibrácií majú typický štatistický rozptyl (štandardnú odchýlku) 0,2 m/s². Štandardné vibrácie – norma EN 60335-2-77:2017, kapitola 20.105

	LC 247iX/LC 247i	LC 347iVX/LC 347iV	LC 353iVX/LC 353iV
Rukoväť, m/s ²	0,42	0,42	2,64
Rezné zariadenie			
Výška rezu, mm	20 – 75 mm	20 – 75 mm	20 – 75 mm
Šírka kosenia, cm	47	47	53
Štandardná čepeľ	Zber 5905934-10	Zber 5905934-10	Zber 5940757-10
Príslušenstvo nožov	Mulčovanie 5907010-10	Mulčovanie 5907010-10	Mulčovanie 5950072-10
Kapacita zberného koša, litre	55	55	60

Údaje o rádiovýkonnej energii pre Bluetooth®	LC 247iX	LC 347iVX	LC 353iVX
Frekvenčné pásmo, GHz	2,4 – 2,4835	2,4 – 2,4835	2,4 – 2,4835
Výstupný výkon, max. dBm	4	4	4

Schválené batérie	Typ	Kapacita batérie, Ah	Napätie, V	Hmotnosť, kg (lb)
BLi20	Lítium-iónová	4,0	36	2,6/1,2
BLi30	Lítium-iónová	7,7	36	4,2/1,9
BLi200	Lítium-iónová	5,2	36	2,8/1,3
BLi300	Lítium-iónová	9,4	36	4,1/1,9

Schválené nabíjačky pre uvedené batérie, BLi	Vstupné napätie, V	Frekvencia, Hz	Výkon, W
QC80	100 – 240	50 – 60	80
QC80F	12	0	80
QC250	100 – 240	50 – 60	250
QC330	100 – 240	50 – 60	330
QC500	100 – 240	50 – 60	500

ES vyhlásenie o zhode

ES vyhlásenie o zhode

Husqvarna AB, SE-561 82 Huskvarna, Švédsko, tel.: +46-36-146500, vyhlasuje, že **kosačka na trávu Husqvarna LC 247i, LC 247iX, LC 347iV, LC 347iVX, LC 353iV, LC 353iVX** od roku výroby 2018 a ďalej spĺňa požiadavky SMERNICE RADY:

- z 8. júna 2011 o „obmedzení používania určitých nebezpečných látok“ **2011/65/EÚ**,
- zo 17. mája 2006, „Smernica o strojoch“ **2006/42/ES**
- z 8. mája 2000 „Smernica o emisiách hluku v prostredí“ **2000/14/ES**

Informácie týkajúce sa emisií hluku nájdete v časti *Technické údaje na strane 595*.

Boli uplatnené nasledujúce normy:

EN/IEC 60335-1, EN/IEC 60335-2-77, EN/IEC 62233, EN 55014-1, EN ETSI 301 489-7 v1.3.1, EN 61000-6, ETSI EN 61000-6-1, EN 300 328 BT low energy Tx/Rx, EN 50581

Ak nie je uvedené inak, vyššie uvedené normy sú najnovšie vydané verzie.

Notifikovaný orgán: **0404, RISE SMP Svensk Maskinprovning AB, Box 7035, SE-750 07 Uppsala**

vykonal posudzovanie zhody v súlade s prílohou VI smernice 2000/14/ES.

Huskvarna, 2020-04-22



Claes Losdal, manažér vývoja/záhradné produkty (autorizovaný zástupca spoločnosti Husqvarna AB a osoba zodpovedná za technickú dokumentáciu)

Registrované ochranné známky

Slovné označenie *Bluetooth®* a súvisiace logá sú registrované ochranné známky spoločnosti *Bluetooth SIG, inc.* a každé použitie takýchto značiek spoločnosťou Husqvarna vychádza z licencie.

VSEBINA

Uvod.....	598	Odpravljanje težav.....	616
Varnost.....	601	Transport skladiščenje in odstranitev.....	618
Montaža.....	609	Tehnični podatki.....	619
Delovanje.....	610	Izjava ES o skladnosti.....	622
Vzdrževanje.....	615	Registrirane blagovne znamke.....	622

Uvod

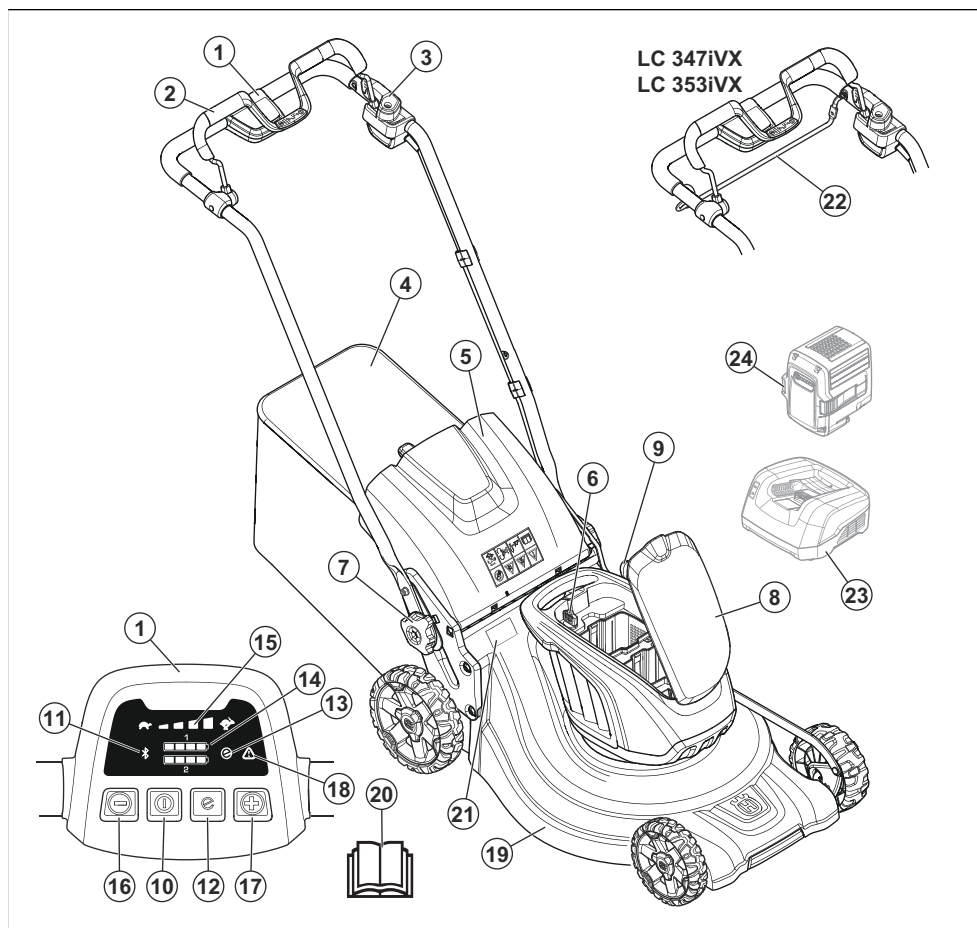
Opis izdelka

Naprava je rotacijska kosilnica. Pokošena trava se zbira v zbiralniku za travo. Če želite uporabiti zadenjski izmet trave, odstranite zbiralnik za travo. Če želite travo razrezati v gnojilo, namestite mulčer (dodatna oprema).

Namen uporabe

Izdelek uporabite za rezanje trave. Izdelka ne uporabljajte za druga opravila.

Pregled izdelka



- | | |
|---|---|
| 1. Kontrolna plošča | 15. Indikator hitrosti (LC 347iV, LC 347iVX, LC 353iV, LC 353iVX) |
| 2. Motorna zavorna ročica | 16. Gumb za upočasnjevanje (LC 347iV, LC 347iVX, LC 353iV, LC 353iVX) |
| 3. Blokada vžiga | 17. Gumb za pospeševanje (LC 347iV, LC 347iVX, LC 353iV, LC 353iVX) |
| 4. Zbiralnik za travo | 18. LED za napako |
| 5. Zadnji pokrov | 19. Pokrov rezila |
| 6. Varnostni ključ | 20. Navodila za uporabo |
| 7. Gumb ročaja | 21. Tipka ploščica |
| 8. Pokrov baterije | 22. Pogonska ročica (LC 347iV, LC 347iVX, LC 353iV, LC 353iVX) |
| 9. Regulator višine košnje | 23. Baterijski polnilnik (dodatna oprema) |
| 10. Gumb za vklop/izklop | 24. Baterija (dodatna oprema) |
| 11. Indikator brezžične tehnologije <i>Bluetooth</i> [®] | |
| 12. Gumb SavE | |
| 13. Indikator SavE | |
| 14. Indikator baterije | |

Znaki na izdelku



OPOZORILO! Bodite previdni in uporabljajte izdelek pravilno. Ta izdelek lahko povzroči hude poškodbe oziroma smrt upravljavca ali drugih.



Pred začetkom uporabe izdelka natančno preberite navodila za uporabo in se prepričajte, da ste jih razumeli.



Osebe in živali naj bodo na varni razdalji od delovnega območja.



Pazite na leteče in odbite predmete.



Opozorilo: Roke in noge držite stran od vrtljivega rezila.



Opozorilo: Z rokami in nogami ne segajte v območje premikanja vrtljivih delov.



Pred popravili ali vzdrževalnimi deli

odstranite varnostni ključ.



Izdelek ne sme biti izpostavljen dežju.



Izdelek ali embalaža izdelka ne spada med gospodinjske odpadke. Treba ga je reciklirati v zbirnem centru za reciklažo električne in elektronske opreme.



Izdelek je skladen z veljavnimi direktivami ES.



Izdelek je skladen z veljavnimi direktivami Evrazijske carinske unije.



Izdelek je skladen z veljavnimi direktivami UkrSEPRO.



Izdelek je skladen z veljavnimi direktivami RCM. Velja samo za AU/NZ



Emisija hrupa v okolje je skladna z Evropsko direktivo 2000/14/ES in

zakonodajo Novega južnega Walesa, in sicer z direktivo "Zaščita okolja pri delu (nadzor hrupa) iz 2017". Podatke o emisijah hrupa najdete na oznaki stroja in v poglavju Tehnični podatki.

IPX1 Izdelek je zaščiten pred kapljicami.

Zagonski postopek: pritisnite gumb za VKLOP/IZKLOP, sprostite blokado vžiga, in ročico zavore motorja potisnite navzdol.



Za zaustavitev sprostite ročico zavore motorja.



Počasi



Hitro



Bralna koda

Opomba: Ostali simboli in oznake na izdelku se nanašajo na zahteve za certifikacijo, ki veljajo za nekatere trge.

Nalepke na izdelku



Roke in noge držite stran od vrtljivih rezil.

Odgovornost proizvajalca

Kot je navedeno v zakonodaji, ki ureja odgovornost proizvajalca, ne prevzemamo nikakršne odgovornosti za poškodbe, ki bi jih naši izdelki povzročili v naslednjih primerih:

- Izdelek ni pravilno popravljen.
- Izdelek je popravljen z deli, ki jih ni izdelal ali odobril proizvajalec.
- Na izdelku je nameščena dodatna oprema, ki je ni izdelal ali odobril proizvajalec.
- Izdelek ni bil popravljen v pooblaščenem servisnem centru ali pri pooblaščenem organu.

Varnost

Varnostne definicije

Opozorila, svarila in opombe opozarjajo na posebej pomembne dele priročnika.



OPOZORILO: Se uporabi, če obstaja nevarnost telesne poškodbe ali smrti uporabnika ali

opazovalcev ob neupoštevanju navodil v tem priročniku.



POZOR: Se uporabi, če obstaja nevarnost poškodbe izdelka, drugih materialov ali okolice ob neupoštevanju navodil v tem priročniku.

Opomba: Se uporabi za podajanje podrobnejših informacij, potrebnih v dani situaciji.

Splošna varnostna navodila



OPOZORILO: Pred uporabo izdelka preberite navodila v povezavi z opozorili v nadaljevanju.

- Ta izdelek je lahko nevaren, če ga ne uporabljate pravilno ali če niste previdni. Če ne upoštevate varnostnih navodil, lahko nastopijo poškodbe ali celo smrt.
- Izdelek med delovanjem ustvarja elektromagnetno polje. To polje lahko v nekaterih pogojih moti delovanje aktivnih ali pasivnih medicinskih vsadkov.

Uporabnikom medicinskih vsadkov svetujemo, da se pred uporabo tega izdelka posvetujejo z zdravnikom ali proizvajalcem medicinskega vsadka, s čimer zmanjšajo nevarnost resnih ali smrtnih poškodb.

- Vedno bodite previdni in ravnajte razumno. Če niste prepričani, kako upravljati ta izdelek v določeni situaciji, prenehajte z delom in se pogovorite s prodajalcem Husqvarna.
- Ne pozabite, da je uporabnik odgovoren za nesreče, ki jih povzroči drugim ljudem ali njihovi lastnini.
- Stroj redno čistite. Pozorno preberite znake in nalepke.
- Naprave ne smejo uporabljati otroci ali osebe, ki niso seznanjene z navodili. Lokalni predpisi lahko omejujejo starost delavca
- Če izdelek uporabljajo osebe z zmanjšanimi fizičnimi ali intelektualnimi sposobnostmi, jih nenehno nadzorujte. Vedno mora biti prisotna odgovorna odrasla oseba.
- Izdelka ne uporabljajte, ko ste utrujeni, bolni, ali pod vplivom alkohola, drog ali zdravil. To negativno vpliva na vaš vid,

- pozornost, koordinacijo in presojo.
- Izdelka ne uporabljajte, če je poškodovan.
 - Izdelka ne spreminjajte ali uporabljajte, če obstaja možnost, da so ga spremenile tretje osebe.

Varnost delovnega področja



OPOZORILO: Pred uporabo izdelka preberite navodila v povezavi z opozorili v nadaljevanju.

- Z delovnega območja pred začetkom dela odstranite predmete, kot so veje, vejice in kamni.
- Predmeti, ki pridejo v kontakt z rezalno opremo, lahko odletijo in poškodujejo osebe in ostale predmete. Opazovalci in živali naj bodo na varni razdalji od izdelka.
- Izdelka nikoli ne uporabljajte v slabem vremenu, kot je megla, dež, močan veter, izreden mraz ter nevarnost strele. Če izdelek uporabljate v slabem vremenu ali v vlažnih ali mokrih okoljih, vas bo to utrudilo. Slabo vreme lahko povzroči nevarne pogoje, kot je spolzka podlaga.

- Bodite pozorni na osebe, predmete in situacije, ki lahko preprečijo varno obratovanje izdelka.
- Bodite pozorni na ovire, kot so korenine, kamni, veje, jame in jarki. Visoka trava lahko prekriva ovire.
- Košnja trave na pobočju je lahko nevarna. Ne kosite po izjemno strmih naklonih. Izdelka ne uporabljajte na pobočjih z naklonom, večjim od 15°.
- Pri spreminjanju smeri na naklonih bodite izjemno previdni. Izdelek uporabljajte prečno na pobočje. Ne premikajte se navzgor in navzdol.
- Bodite previdni, kadar se približujete kotom in predmetom, ki omejujejo pogled.

Varnost pri delu



OPOZORILO: Pred uporabo izdelka preberite navodila v povezavi z opozorili v nadaljevanju.

- Ta izdelek uporabljajte izključno za košnjo trave. Ne uporabljajte ga za druga opravila.

- Uporabljajte osebno zaščitno opremo. Glejte *Osebna zaščitna oprema na strani 605*.
- V zasilnem primeru morate znati motor hitro izklopiti.
- Izdelka ne uporabljajte dežju ali visoki vlagi. Nevarnost električnega udara se poveča, če v izdelek vdre voda.
- Izdelka ne uporabljajte, če rezilo in vsi pokrovi niso nameščeni pravilno. Nepravilno nameščeno rezilo lahko odleti in povzroči poškodbe.
- Pazite, da rezilo ne udarja ob predmete, npr. kamenje in korenine. To lahko poškoduje rezilo in ukrivi motorno gred. Zvita os povzroča vibracije in zelo visoko tveganje, da rezilo odleti.
- Če rezilo trči ob predmet ali začutite vibracije, izdelek nemudoma izklopite. Izklopite motor, varnostni ključ obrnite v položaj 0 in odstranite baterijo. Preglejte, ali je izdelek morda poškodovan. Poškodbe popravite ali pa popravilo prepustite pooblaščenemu serviserju.
- Ročice zavore motorja nikoli ne pritrdite trajno na ročaj, ko motor deluje.
- Izdelek vklopite na stabilni in ravni podlagi. Prepričajte se, da rezilo ne trči ob tla ali druge predmete.
- Vedno bodite za izdelkom, ko ga upravljate.
- Ko upravljate izdelek, morajo biti vsa kolesa na tleh, prav tako pa imejte na ročaju obe roki. Roke in noge držite stran od vrtljivih rezil.
- Pri delujočem motorju izdelka nikoli ne nagibajte.
- Ko izdelek potegnete nazaj, bodite previdni.
- Izdelka ne dvigajte, ko motor deluje. Če morate izdelek dvigniti, najprej izklopite motor, nato varnostni ključ obrnite v položaj 0 in odstranite baterijo.
- Med uporabo izdelka ne hodite vzvratno.
- Izklopite motor, ko se premikate prek področij brez trave, npr. poti iz gramoza, kamna in asfalta.
- Pri delujočem motorju ne tecite z izdelkom. Pri uporabi tega izdelka vedno hodite.
- Pred spreminjanjem višine reza ustavite motor. Ne izvajajte nastavitvev, ko motor deluje.
- Izdelek z delujočim motorjem morate imeti vedno na očeh. Izklopite motor in se

prepričajte, da se rezalna oprema ne vrti.

Varnostna navodila za uporabo

Osebna zaščitna oprema



OPOZORILO: Pred uporabo izdelka preberite navodila v povezavi z opozorili v nadaljevanju.

- Osebna zaščitna oprema ne more popolnoma preprečiti poškodb, vendar v primeru nesreče omili posledice. Prodajalec naj vam pomaga izbrati ustrezno opremo.
- Uporabite trpežno obutev, ki ne drsi. Ne bodite bosí ali nosite odprtih čevljev.
- Oblečene imejte trpežne, dolge hlače.
- Po potrebi uporabite zaščitne rokavice, npr. kadar pritrjujete, pregledujete ali čistite rezalno opremo.

Varnostne naprave na izdelku



OPOZORILO: Pred uporabo izdelka preberite navodila v povezavi z opozorili v nadaljevanju.

- Ne uporabljajte izdelka s poškodovanimi varnostnimi napravami.

- Redno preverjajte varnostne naprave. Če so varnostne naprave poškodovane, se obrnite na pooblaščen servisno delavnico Husqvarna.

Preverjanje pokrova rezila

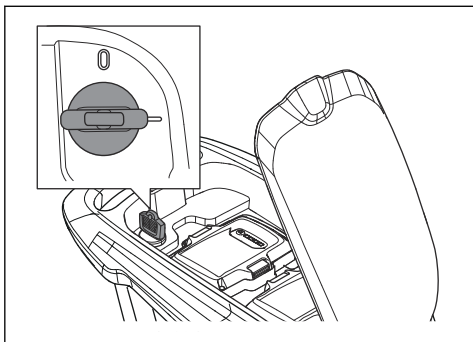
Pokrov rezila zmanjšuje moč vibracij v izdelku in zmanjšuje nevarnost poškodb, katerih vzrok bi lahko bilo rezilo.

- Preglejte pokrov rezila in se prepričajte, da nima poškodb, kot so razpoke.

Varnostni ključ

Varnostni ključ je pod pokrovom baterije. Varnostni ključ skrbi za povezavo baterije, ki napaja motor.

- Zaženite in izklopite motor, da preverite varnostni ključ.
- Če varnostni ključ deluje pravilno, se motor zažene, ko varnostni ključ obrnete v položaj 1.

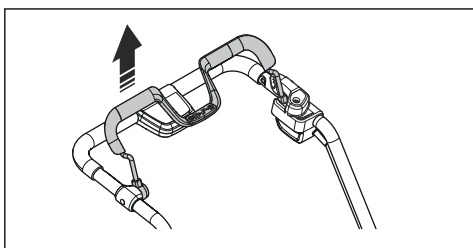


Motorna zavorna ročica

Zavorna ročica motorja izklopi motor. Ko spustite zavorno ročico motorja, se motor ustavi.

Za preverjanje motorne zavore morate motor zagnati, potem pa ročico zavore motorja sprostiti.

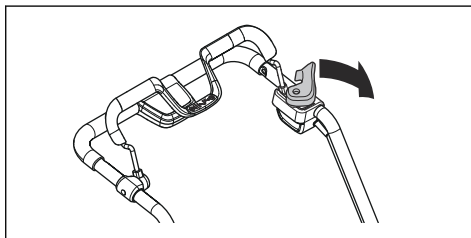
Če se motor ne izklopi v 3 sekundah, mora izdelek preveriti pooblaščen serviser Husqvarna, ki mora nato nastaviti motorno zavoro.



Za pregled blokade vžiga

Preverite blokado vžiga in se prepričajte, da onemogoča zagon motorja.

1. Ročico motorne zavore potisnite v smer ročaja. Blokado vžiga ustavi premikanje.
2. Blokado vžiga potisnite ven.



3. Sprostite gumb blokade vžiga in se prepričajte, da se vrne v izhodiščni položaj.

Varna uporaba baterije



OPOZORILO: Pred uporabo izdelka preberite navodila v povezavi z opozorili v nadaljevanju.

- Kot vir napajanja uporabljajte akumulatorske baterije Husqvarna; samo za povezane izdelke Husqvarna. Za preprečevanje poškodb baterije ne uporabljajte za napajanje drugih naprav.
- Ne uporabljajte baterij za enkratno uporabo.
- Nevarnost električnega udara. Poli baterije ne smejo priti v stik s ključi, kovanci, vijaki ali drugimi kovinskimi deli. To

lahko povzroči kratek stik baterije.

- V zračne reže baterije ne vstavljajte predmetov.
- Baterije ne izpostavljajte neposredni sončni svetlobi, vročini ali odprtemu ognju. Baterija lahko eksplodira in povzroči opekline in/ali kemične opekline.
- Baterije ne izpostavljate dežju in vlagi.
- Baterije ne izpostavljajte mikrovalovom in visokemu tlaku.
- Baterije ne poskušajte razstaviti ali odpreti.
- Če baterija pušča, pazite, da tekočina ne pride v stik s telesom ali očmi. Če ste se tekočine dotaknili, območje očistite z obilo vode in poiščite zdravniško pomoč.
- Baterijo uporabljajte v okolju s temperaturami med $-10\text{ }^{\circ}\text{C}$ in $40\text{ }^{\circ}\text{C}$.
- Baterije ali polnilnika nikoli ne čistite z vodo. Glejte *Čiščenje baterije in baterijskega polnilnika na strani 615*.
- Ne uporabljajte poškodovanih ali pokvarjenih baterije.
- Baterije med skladiščenjem ne smejo priti v stik s kovinskimi predmeti, na primer žebli, kovanci ali nakitom.

Varna uporaba polnilnika baterije



OPOZORILO: Pred uporabo izdelka preberite navodila v povezavi z opozorili v nadaljevanju.

- Za polnjenje nadomestnih baterij Husqvarna uporabljajte samo polnilnike baterij QC.
- Nevarnost električnega udara ali kratkega stika. V zračne reže polnilnika ne vstavljajte predmetov. Polnilnika baterije ne poskušajte razstaviti. Poli na polnilniku se ne smejo dotikati kovinskih predmetov. Uporabljajte homologirano omrežno vtičnico.
- Izdelek med delovanjem ustvarja elektromagnetno polje. To polje lahko v nekaterih pogojih moti delovanje aktivnih ali pasivnih medicinskih vsadkov. Uporabnikom medicinskih vsadkov svetujemo, da se pred uporabo tega izdelka posvetujejo z zdravnikom ali proizvajalcem medicinskega vsadka, s čimer zmanjšajo nevarnost resnih ali smrtnih poškodb.

- Redno preverjajte, da napajalni kabel polnilnika ni poškodovan in ni napokan.
- Polnilnika baterije ne dvigujte za napajalni kabel. Polnilnik baterije odklopite iz stenske vtičnice tako, da povlečete vtič. Nikoli ne vlecite za napajalni kabel.
- Pazite, da se napajalni kabel in kabelski podaljški ne dotaknejo vode, olja in ostrih robov. Kabli ne smejo biti preščipnjeni med vrata, ograje in podobne dele. Zaradi tega je lahko polnilnik pod napetostjo.
- Polnilnika baterije nikoli ne čistite z vodo.
- Polnilec baterije lahko uporabljajo otroci, stari 8 let in več, ter osebe z omejenimi telesnimi, zaznavalnimi ali duševnimi sposobnostmi ali s pomanjkanjem izkušenj in znanja, če so pri tem pod nadzorom ali jih o varni uporabi ter morebitnih nevarnostih podučijo odgovorna oseba. Otroci se s polnilnikom ne smejo igrati. Otroci naprave brez nadzora ne smejo čistiti, ali opravljati običajnih uporabnikovih vzdrževalnih posegov.
- V baterijskem polnilniku ne polnite baterij za enkratno uporabo.
- Polnilnika baterije ne uporabljajte v bližini gorljivih materialov ali materialov, ki povzročajo korozijo. Ne pokrivajte polnilnika baterije. V primeru dima ali požara izvlecite vtič polnilnika baterije.
- Ne uporabljajte poškodovanega ali pokvarjenega polnilnika baterije.
- Baterijo polnite le v zaprtih prostorih z dobrim prezračevanjem, kjer je zaščiten pred neposredno sončno svetlobo. Baterijske enote ne polnite v stiku z vodo ali vlago.

Varnostna navodila za vzdrževanje



OPOZORILO: Pred uporabo izdelka preberite navodila v povezavi z opozorili v nadaljevanju.

- Za preprečevanje neželenega zagona med vzdrževanjem morate varnostni ključ obrniti v položaj 0 in odstraniti baterijo. Pred začetkom vzdrževalnih del počakajte najmanj 5 sekund.

- Vzdrževalna dela opravljajte pravilno in tako podaljšajte življenjsko dobo izdelka ter zmanjšajte nevarnost nesreč. Pooblaščen servisler naj opravi popravila, za katera je zahtevano profesionalno osebje. Za več informacij se obrnite na najbližjega servisnega zastopnika.
- Vzdrževalna dela opravite tako, kot piše v teh navodilih za uporabo. Zahtevnejše posege mora opraviti pooblaščen servisler.
- Pri delu z rezalno opremo morate nositi močne zaščitne rokavice. Rezilo je izjemno ostro, zato lahko hitro pride do ureznin.
- Za najboljše in najvarnejše delovanje morajo biti rezalni robovi ostri in čisti.
- Izdelek naj redno preverja in po potrebi nastavlja ter popravlja pooblaščen servisna delavnica.
- Zamenjajte poškodovane, obrabljene ali zlomljene dele.
- Upoštevajte navodila za zamenjavo dodatne opreme. Uporabljajte samo dodatno opremo, ki jo odobri proizvajalec.
- Ko izdelka ne uporabljate, morate izdelek, baterijo in polnilnik baterije hraniti ločeno v suhem, zaprtem in zaklenjenem prostoru. Otroci in osebe, katerim uporaba ni dovoljena, ne smejo imeti dostopa do izdelka, baterije ali polnilnika baterije.

Montaža

Uvod



OPOZORILO: Preden sestavite izdelek, preberite poglavje o varnosti.

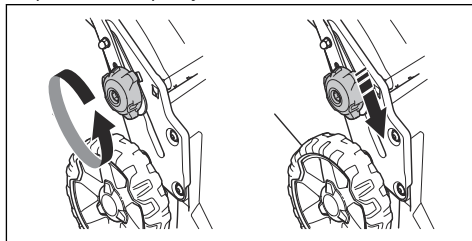


OPOZORILO: Neželen vklop med sestavljanjem preprečite tako, da ključ obrnete v položaj 0, odstranite baterijo in počakate vsaj 5 sekund.

Nastavitev ročaja

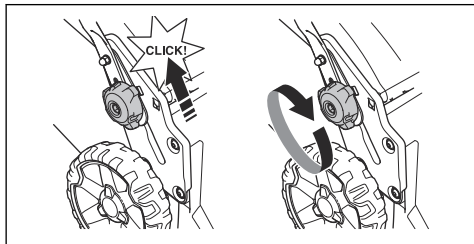
1. Sprostite spodnja gumbna vijaka.

2. Gumbna vijaka na levi in desni strani izdelka pomaknite v spodnji del utorov.



3. Višino ročice prestavite v enega od 2 razpoložljivih položajev.

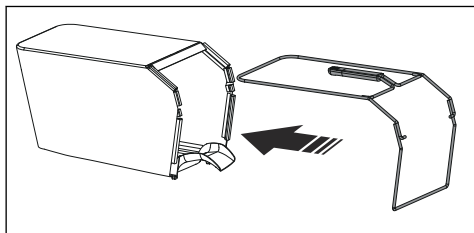
4. Premaknite gumbna vijaka do konca navzgor proti ročici, da zaslišite klik.



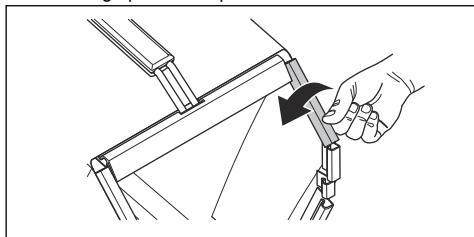
5. Popolnoma zategnite gumbne vijake.

Namestitev zbiralnika za travo

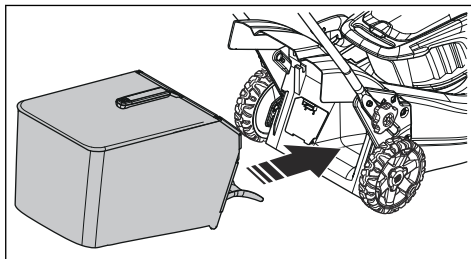
1. Ogrodje zbiralnika za travo vstavite v vrečo za travo tako, da je trdi del vrečke na dnu. Ročaj ogrodja zbiralnika za travo mora biti vedno na vrhu.



2. Spodnji del ogrodja zbiralnika za travo vstavite v utor na dnu zbiralnika za travo.
3. Vrečo za travo namestite na ogrodje zbiralnika za travo in ga pritrдите z sponkami.

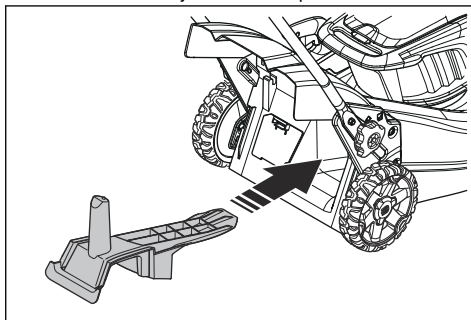


4. Dvignite zadnji pokrov.
5. Zbiralnik za travo pritrđite na zgornji rob ohišja.
6. Vstavite spodnji del zbiralnika za travo v izpustni kanal za travo.



Namestitev vložka za mulčenje (dodatna oprema)

1. Privzdignite zadnji pokrov in odstranite zbiralnik za travo.
2. Vložek za mulčenje vtaknite v izpustni kanal.



3. Rezilo zamenjajte z rezilom za mulčenje, priloženo kompletu za mulčenje. Glejte poglavje *Odstranitev in zamenjava rezila na strani 616*.

Delovanje

Uvod



OPOZORILO: Pred uporabo izdelka morate prebrati in razumeti poglavje o varnosti.

Husqvarna Connect

Husqvarna Connect je brezplačna aplikacija za vašo mobilno napravo. Aplikacija Husqvarna Connect omogoča razširitev funkcij vašega izdelka Husqvarna:

- Dodatne informacije o izdelku.

- Informacije o izdelku, delih in servisu ter pomoč.

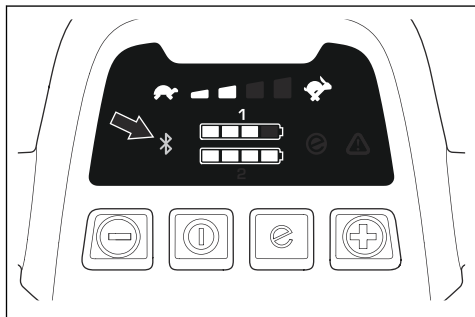
Začetek uporabe: Husqvarna Connect

1. V mobilno napravo si prenesite aplikacijo Husqvarna Connect.
2. Registrirajte se v aplikaciji Husqvarna Connect.
3. Za vzpostavitev povezave in registracijo izdelka sledite navodilom v aplikaciji Husqvarna Connect.

informacije Bluetooth® (LC 247iX, LC 347iVX, LC 353iVX)

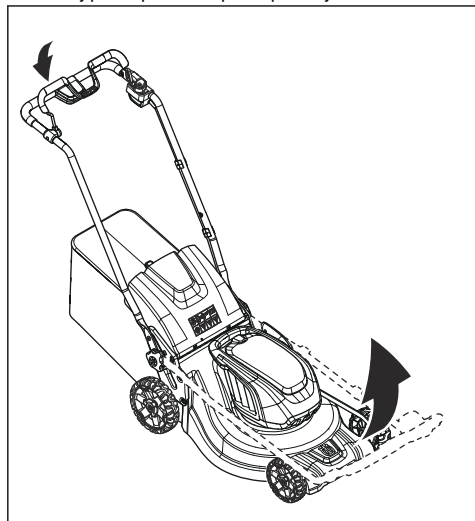
Brezžična tehnologija Bluetooth®

Znak za brezžično tehnologijo *Bluetooth®* se vklopi, ko je vaša mobilna naprava povezana z izdelkom.

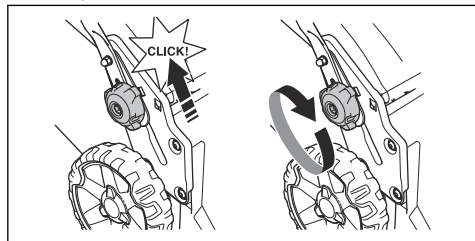


Nastavitev kosilnice v delovni položaj

1. Ročaj prekopite v navpičen položaj.



2. Premaknite gumbna vijaka do konca navzgor proti ročici, da zaslišite klik.

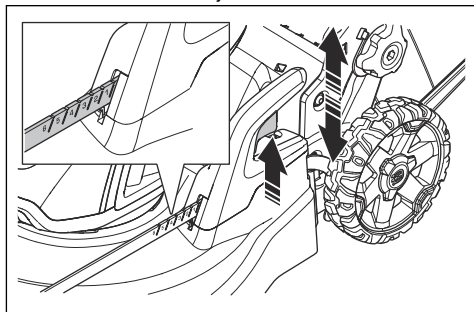


3. Popolnoma zategnite gumbne vijake.

Nastavitev višine košnje

Košnjo lahko nastavite na 6 višin.

1. Povlecite ročico za nastavitev višine košnje nazaj, da znižate višino košnje.
2. Potisnite ročico za nastavitev višine košnje naprej, da zvišate višino košnje.



POZOR: Ne nastavite višino rezanja prenizko. Rezila lahko trčijo ob tla, če površina travnika ni ravna.

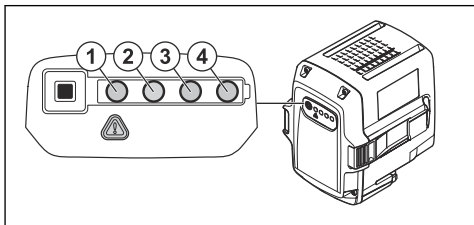
Baterija



OPOZORILO: Pred uporabo baterije morate prebrati in razumeti poglavje o varnosti. Prebrati in razumeti morate tudi navodila za uporabo, ki so priložena bateriji in polnilniku.

Stanje baterije

Na zaslonu je prikazana preostala napoljenost baterije in podatki o morebitnih težavah z baterijo. Napoljenost baterije je prikazana še 5 sekund po izklopu naprave ali pritisku gumba indikatorja baterije. V primeru napake sveti na bateriji opozorilni indikator. Glejte *Baterija na strani 616*.



Indikatorji LED	Stanje baterije
Vsi indikatorji LED svetijo	Polna napoljenost (75–100 %)

Indikatorji LED	Stanje baterije
Svetijo indikatorji LED 1, 2 in 3	50–75-odstotna napoljenost
Svetita indikatorji LED 1 in 2	25–50-odstotna napoljenost
Sveti indikator LED 1	0–25-odstotna napoljenost
Indikator LED 1 utripa	Baterija je prazna. Napolnite baterijo.

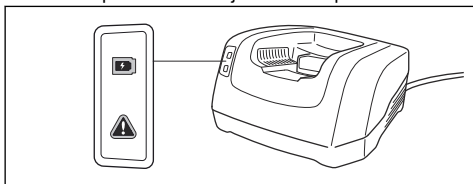
Polnjenje baterije

Baterijo pred prvo uporabo napolnite. Baterija je ob dobavi napolnjena na 30 %.

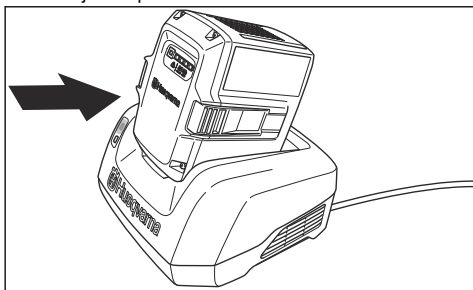
Opomba: Baterijski polnilnik mora biti priključen na napetost in frekvenco, ki sta navedena na tipski ploščici.

Če je temperatura baterije višja od 50 °C, se ne polni. Polnilnik baterije pred polnjenjem zniža temperaturo baterije.

1. En konec napajalnega kabla vstavite v konektor v polnilniku baterije.
2. Drugi konec napajalnega kabla polnilnika priklopite v primerno ozemljeno električno vtičnico. Indikator LED na polnilniku baterije enkrat utripne zeleno.



3. Baterijo vstavite v polnilnik baterije. Zeleni indikator na polnilniku se vklopi, ko je baterija pravilno vstavljena v polnilnik.



4. Ko se vsi indikatorji LED na bateriji vklopijo, je baterija popolnoma napolnjena. Baterijo polnite največ 24 ur.
5. Polnilnik baterije iz stenske vtičnice izvlecite za vtič, ne za kabel.

6. Odstranite baterijo iz polnilnika.

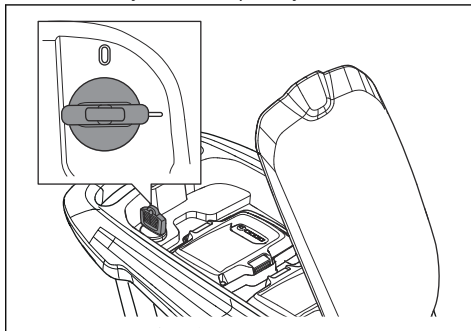
Stanje napoljenosti baterije

Litij-ionske baterije Husqvarna lahko polnite in uporabljate pri vseh nivojih napoljenosti. Baterija se ne poškoduje. Napoljenost popolnoma napolnjene baterije ne pada, če jo pustite v polnilniku.

Indikatorji LED	Stanje napoljenosti
Indikator LED 1 utripa	0–25 %
LED 1 sveti, LED 2 utripa	25–50 %
LED 1 in 2 svetita, LED 3 utripa	50–75 %
LED 1, 2 in 3 svetijo, LED 4 utripa	75–100 %
LED 1, 2, 3 in 4 svetijo	Polna napoljenost

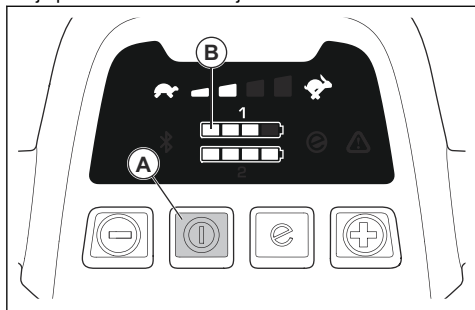
Zagon izdelka

1. Odprite pokrov za baterijo.
2. Napolnjeno baterijo vstavite v 1 od prostorov za baterije. Za daljše delovanje v drug prostorček vstavite še eno napolnjeno baterijo.
3. Varnostni ključ obrnite v položaj 1.

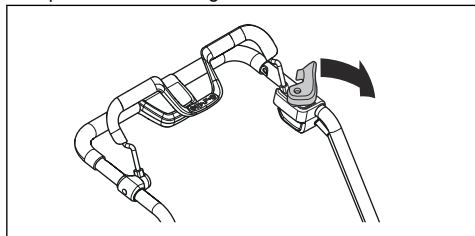


4. Ostanite za izdelkom.

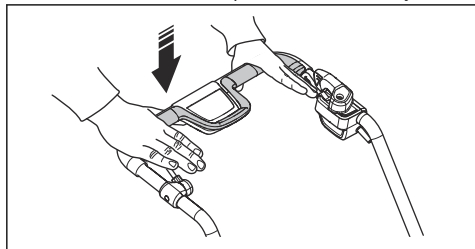
5. Pritisnite gumb za VKLOP/IZKLOP (A) na nadzorni plošči. Zaslou se vklopi. Na indikatorju baterije (B) je stanje napolnjenosti 2 baterij. Število uporabljenih baterij je prikazano poleg indikatorja baterij. Pri modelih LC 347iV, LC 347iVX, LC 353iV, LC 353iVX je prikazana tudi nastavljena hitrost.



6. Sprostite blokado vžiga.

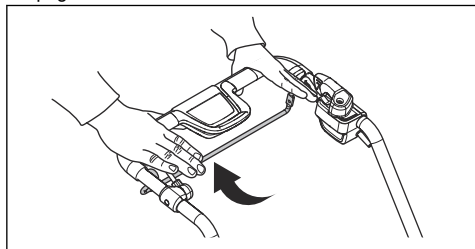


7. Ročico motorne zavore potisnite v smer ročaja.

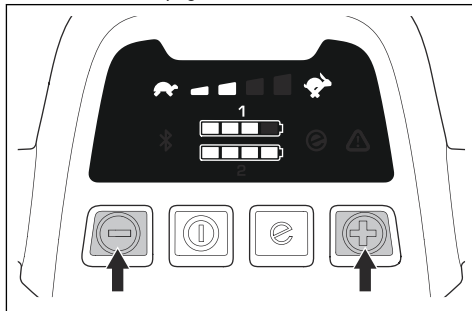


Za pogon koles LC 347iV, LC 347iVX, LC 353iV, LC 353iVX

- Povlecite pogonsko ročico proti ročaju za sprostitve pogona.



- S pritiskanjem + in - na krmlilni plošči je mogoče nastaviti hitrost pogona v 4 korakih.

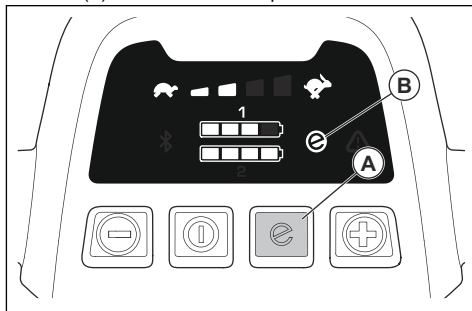


- Sprostite pogonsko ročico, da izklopite pogon, npr. ko ste blizu ovire.

Uporaba funkcije

Izdelek je opremljen s funkcijo varčevanja z baterijo (), ki omogoča daljši čas delovanja.

1. Pritisnite gumb (A) za začetek izvajanja funkcije. Znak (B) na zaslonu se vklopi.
2. Znova pritisnite gumb , če želite funkcijo izklopiti. Znak (B) na zaslonu se izklopi.



Funkcija se samodejno izklopi, če je zaradi pogojev tal potrebna večja moč. Funkcija se znova samodejno zažene, ko pogoji tal to dopuščajo.

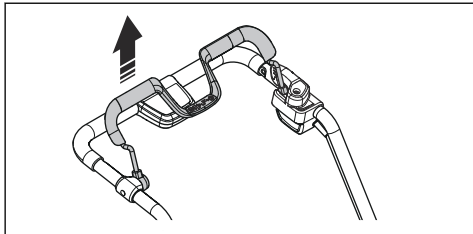
Funkcija visoke obremenitve

Ko izdelek kosi dolgo ali mokro travo, motor samodejno poviša število vrtljajev. Motor znova preklopi v normalni način, ko višja obremenitev ni več potrebna.

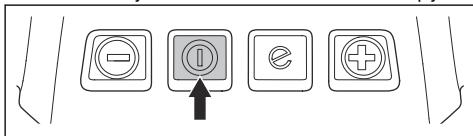
Izklop izdelka

Izdelek se samodejno izklopi po 10 minutah mirovanja. Pred zpuščanjem izdelka morate varnostni ključ obvezno obrniti v položaj 0.

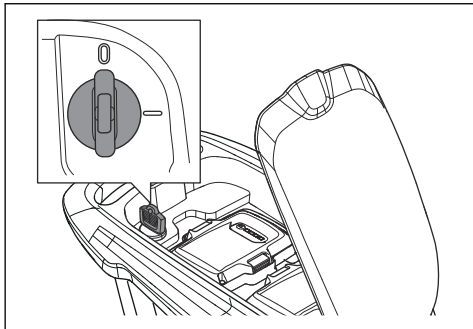
1. Za izklop motorja sprostite ročico motorne zavore.



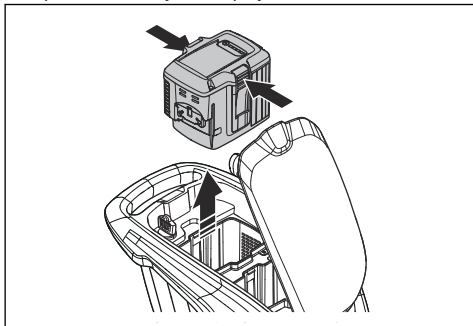
2. Pritisnite gumb za VKLOP/IZKLOP na krmilni plošči. Vsi indikatorji LED in znaki na zaslonu se izklopijo.



3. Odprite pokrov baterije in varnostni ključ obrnite v položaj 0.



4. Za odstranitev baterije pritisnite 2 gumba za sprostitvev baterije, nato pa jo izvlecite.



5. Napolnite baterijo, če je izpraznjena. Za več informacij glejte *Polnjenje baterije na strani 612*.

Kako doseči dober rezultat

- Vedno uporabljajte ostra rezila. Če uporabljate topo rezilo, bo trava pokošena neenakomerno, ob zarezah pa lahko postane tudi rumena. Ostro rezilo prav tako porabi manj energije kot topo rezilo.
- Ne odrežite več kot tretjino dolžine travnih bilk. Najprej kosite z visoko nastavitvijo višine košnje. Preglejte rezultat in nastavite višino košnje na ustrezno višino. Če je trava zelo visoka, vozite počasi in po potrebi kosite dvakrat.
- Vsakič kosite v različnih smereh, da se na travi ne bi pojavile črte.

Košnja trave brez nameščenega zbiralnika za travo ali vložka za mulčenje

- Privzdignite zadnji pokrov in odstranite zbiralnik za travo.
- Če sta nameščena vložek za mulčenje in rezilo za mulčenje, ju odstranite.
- Pred uporabo izdelka zaprite zadnji pokrov.

Ko uporabljate izdelek, poteka izmet pokošene trave pod zadnjim pokrovom.

Vzdrževanje

Uvod



OPOZORILO: Pred izvajanjem vzdrževalnih del morate prebrati in razumeti poglavje o varnosti.

Za servisiranje in popravila na izdelku posebno usposabljanje ni potrebno. Zagotavljamo, da vam bodo na voljo strokovna popravila in servisiranje. Če vaš

prodajalec ni pooblaščen serviser, ga povprašajte, kje je naslednja najbližja pooblaščen servisna delavnica.

Urnik vzdrževanja

Izračunani intervali vzdrževanja veljajo za vsakodnevno uporabo izdelka. Intervali se spremenijo, če izdelka ne uporabljate vsakodnevno.

Za vzdrževalna dela, označena z *, glejte navodila v *Varnostna navodila za uporabo na strani 605*.

	Pri vsaki uporabi	Mesečno	Vsako sezono
Opravite splošen pregled	X		
Izdelek očistite	X		
Preverite blokado vžiga *	X		
Prepričajte se, da varnostne naprave izdelka niso poškodovane *	X		
Preglejte rezalno opremo	X		
Preglejte pokrov rezila *	X		
Preverite parkirno zavoro *	X		
Prepričajte se, da gumb za VKLOP/IZKLOP deluje pravilno in ni pokvarjen	X		
Preverite, ali je baterija poškodovana	X		
Preverite napolnjenost baterije	X		
Prepričajte se, da gumba za sprostitev na bateriji delujeta pravilno in omogočata pravi zaklep baterije v izdelku	X		
Preverite, ali je polnilnik baterije poškodovan, in se prepričajte, da pravilno deluje.		X	
Preverite povezave med baterijo in izdelkom. Preverite tudi povezave med baterijo in polnilnikom baterije.			X

Izvajanje splošnih pregledov

- Prepričajte se, da so matice in vijaki na izdelku dobro priviti.
- Prepričajte se, da kablji na izdelku niso v položaju, v katerem bi se lahko poškodovali.

Čiščenje izdelka

- Plastične dele čistite s čisto in suho krpo.
- Izdelka ne čistite z vodo. Voda lahko vdre v baterijo ali motor in povzroči kratki stik ali poškoduje izdelek.
- Izdelka ne čistite z visokotlačnim čistilnikom.
- Vode ne zlivajte neposredno na motor.
- S krtačo odstranite listje, travo in umazanijo.

Čiščenje baterije in baterijskega polnilnika



POZOR: Baterije ali polnilnika nikoli ne čistite z vodo.

- Pred vstavljanjem baterije v polnilnik baterije se prepričajte, da sta baterija in polnilnik baterije čista in suha.
- Pola baterije očistite s stisnjenim zrakom ali za čiščenje uporabite mehko in suho krpo.
- Površine baterije in polnilnika očistite z mehko in suho krpo.

Kako pregledati rezalno opremo



OPOZORILO: Neželen vklop preprečite tako, da varnostni ključ obrnete v položaj 0, odstranite baterijo in počakate vsaj 5 sekund.



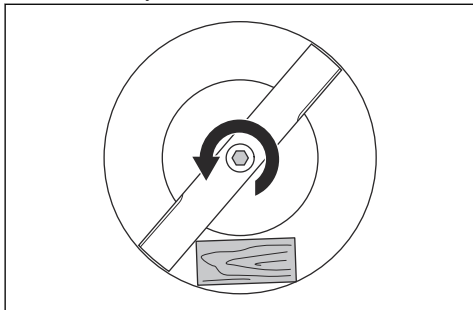
OPOZORILO: Pri vzdrževanju rezalne opreme uporabite zaščitne rokavice. Rezilo je izjemno ostro, zato lahko hitro pride do uresnin.

1. Preverite, ali je rezalna oprema poškodovana oziroma razpokana. Če je rezalna oprema poškodovana, jo zamenjajte.
2. Preverite, ali je rezilo poškodovano ali topo.

Opomba: Rezilo morate po brušenju postaviti v ravnovesje. Izdelek peljite na servisni center, da rezilo nabrusijo, zamenjajo in uravnovesijo. Če trčite ob oviro in se izdelek ustavi, zamenjajte poškodovano rezilo. Pooblaščen servisna delavnica naj oceni, ali lahko rezilo izostrijo ali pa ga je treba zamenjati.

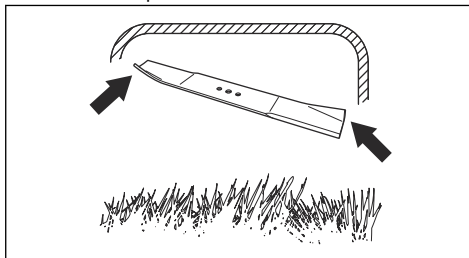
Odstranitev in zamenjava rezila

1. Rezilo blokirajte z leseno klado.

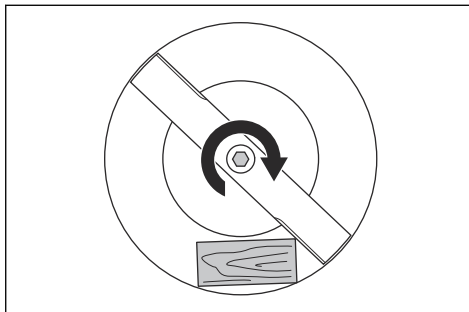


2. Odstranite vijak rezila.
3. Odstranite rezilo.

4. Preverite, ali sta nosilec in vijak rezila poškodovana.
5. Preverite motorno gred in se prepričajte, da ni zvita.
6. Ko pritrдите novo rezilo, usmerite nagnjene strani rezila v smer pokrova rezila.



7. Prepričajte se, da je rezilo poravnano s središčem motorne gredi.
8. Rezilo blokirajte z leseno klado. Pritrdite podložko vzmeti in privijte vijak in podložko z zateznim momentom 23–28 Nm.



9. Ročno zavrtite rezilo in se prepričajte, da se prosto obrača.



OPOZORILO: Nosite trpežne rokavice. Rezilo je izjemno ostro, zato lahko hitro pride do uresnin.

10. Izdelek vklopote, da preizkusite rezilo. Če rezilo ni pritrjeno pravilno, bo izdelek vibriral, rezultat košnje pa ne bo zadovoljiv.

Odpravljanje težav

Baterija

LED na bateriji	Možne napake	Možen postopek
Zelena LED utripa	Napetost baterije je prenizka	Napolnite baterijo. Glejte <i>Polnjenje baterije na strani 612</i> .

LED na bateriji	Možne napake	Možen postopek
Indikator LED za napako utripa	Napolnjenost baterije je nizka	Napolnite baterijo. Glejte <i>Baterija na strani 616</i> .
	Temperatura v delovnem okolju je previsoka ali prenizka	Baterijo uporabljajte v okolju s temperaturami med $-10\text{ }^{\circ}\text{C}$ in $40\text{ }^{\circ}\text{C}$.
	Prenapetost	Preverite, ali je napetost omrežja enaka napetosti, navedeni na tipski ploščici izdelka. Odstranite baterijo iz polnilnika. Počakajte 5 sekund in baterijo poskusite napolniti znova. Če se napaka ponavlja, se obrnite na pooblaščenega servisnega zastopnika.
Indikator LED za napako sveti	Prevelika razlika med celicami (1 V).	Obrnite se na pooblaščenega servisnega zastopnika.

Polnilnik baterije

LED na polnilniku baterije	Možne napake	Možen postopek
Indikator LED za napako utripa	Temperatura v delovnem okolju je previsoka ali prenizka	Polnilnik baterije uporabljajte v okolju s temperaturami med $5\text{ }^{\circ}\text{C}$ in $40\text{ }^{\circ}\text{C}$.
Indikator LED za napako sveti		Obrnite se na pooblaščenega servisnega zastopnika

Kontrolna plošča

Tipkovnica	Koda napake (število utripov)	Možne napake	Možen ukrep
Dioda LED za napako utripa	3	Motor preobremenjen	Dvig višine košnje. Glejte razdelek <i>Nastavitev višine košnje na strani 611</i> .
	5	Število vrtljajev motorja pade preveč in motor se izklopi	
	10	Krmilnik motorja je prevroč	Izklopite motor in počakajte, da se ohladi
	2	Rezilo je blokirano	Neželen vklop preprečite tako, da varnostni ključ obrnete v položaj 0, odstranite baterijo in počakate vsaj 5 sekund. Prepričajte se, da se lahko rezilo neovirano vrti. Če se napaka ponavlja, se obrnite na pooblaščenega servisnega zastopnika
	9	Napaka baterije ali baterija ne oddaja signala	Baterijo pravilno vstavite v izdelek in preverite priključek baterije. Če indikator LED na bateriji utripa. Glejte razdelek <i>Baterija na strani 611</i> .
Izdelek se ustavi	8	Napolnjenost baterije je nizka	Napolnite baterijo. Glejte razdelek <i>Polnjenje baterije na strani 612</i> .
	0	Napaka priključka baterije	Preverite priključek baterije
Druge napake	Če pride do drugih napak, obrnite ključ v položaj 0, odstranite baterijo in se obrnite na pooblaščenega serviserja.		

Transport skladiščenje in odstranitev

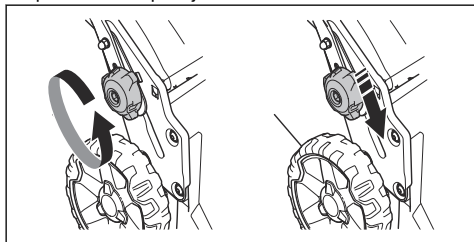
Uvod



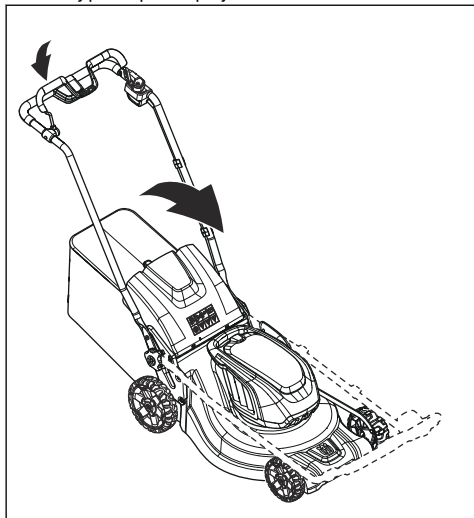
OPOZORILO: Nenačrtovan vklop med transportom preprečite tako, da ključ obrnete v položaj 0, odstranite baterijo in počakate vsaj 5 sekund.

Nastavitev izdelka v transportni položaj

1. Sprostite spodnja gumbna vijaka.
2. Gumbna vijaka na levi in desni strani izdelka pomaknite v spodnji del utorov.



3. Ročaj preklpite naprej.



4. Odstranite zbiralnik za travo.

Prevoz

- Za vstavljene litij-ionske baterijske enote veljajo zahteve zakonodaje o nevarnem blagu.
- Pri transportu v komercialne namene morate upoštevati posebne zahteve, navedene na pakiranju in nalepkah.

- Pri pripravi izdelka za transport morate upoštevati uredbe za ravnanje z nevarnimi materiali. Veljajo lokalni predpisi.
- Baterijo pri prevozu vedno odstranite.
- Na priključke baterije namestite izolacijski trak in se prepričajte, da se baterija med transportom ne more premikati.
- Med izdelek pritrdite.

Skladiščenje

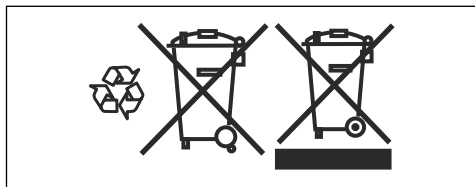
- Baterijo pri skladiščenju vedno odstranite.
- Za preprečevanje nesreč baterija med skladiščenjem ne sme biti priključena.
- Polnilnik baterije vedno hranite v zaprtem in suhem prostoru.
- Baterijo in polnilnik baterije hranite v zaprtem prostoru, kjer ni vlage ali nevarnosti zamrzovanja.
- Med shranjevanjem baterijo odstranite iz polnilnika.
- Baterijske ne shranjujte na mestu, kjer je lahko prisotna statična elektrika. Baterije ne shranjujte v kovinski škatli.
- Baterijo hranite v prostoru s temperaturo med 5 °C in 25 °C, ki je zaščiten pred neposredno sončno svetlobo.
- Polnilnik baterije hranite v prostoru s temperaturo med 5 °C in 45 °C, ki je zaščiten pred neposredno sončno svetlobo.
- Pred dolgotrajnim skladiščenjem mora biti baterija napolnjena med 30 % in 50 %.
- Izdelek, baterijo in polnilnik hranite v zaklenjenem prostoru, do katerega otroci in nepooblaščen osebe nimajo dostopa.
- Pred dolgotrajnim skladiščenjem izdelek očistite in opravite popoln servis.

Odlaganje

Simboli na izdelku ali njegovi embalaži opozarjajo, da izdelka ne smete obravnavati kot gospodinjskega odpadka. Odnesti ga je treba v ustrezno zbirališče, kjer bodo poskrbeli za recikliranje električnih in elektronskih naprav.

Z zagotavljanjem pravilne obravnave izdelka boste pomagali preprečiti njegov morebiten škodljiv učinek na okolje in ljudi, do katerega bi lahko prišlo, kot posledica nepravilnega upravljanja z odpadki. Podrobnejše informacije o recikliranju tega izdelka lahko dobite v svoji

občini, v komunalnem podjetju ali v trgovini, kjer ste ga kupili.



Tehnični podatki

Tehnični podatki

	LC 247iX/LC 247i	LC 347iVX/LC 347iV	LC 353iVX/LC 353iV
Motor rezalne enote			
Tip motorja	BLDC (brezkrtačni enosmerni) 36 V	BLDC (brezkrtačni enosmerni) 36 V	BLDC (brezkrtačni enosmerni) 36 V
Št. vrt. motorja – SavE, vrt/min	2600	2600	2600
Št. vrt. motorja – nazivno, vrt/min	3000	3000	3000
Št. vrt. motorja – visoka obremenitev, vrt/min	3500	3500	3500
Najvišja izhodna moč motorja v kW	0,96	0,96	1,05
Nazivna izhodna moč motorja v kW	0,75	0,75	0,9
Pogonski motor			
Nazivna izhodna moč motorja v kW	Ni navedeno	0,25	0,25
Hitrost samohodnega pogona, km/h	Ni navedeno	3,0–4,5	3,0–4,5
Stopnje hitrosti	Ni navedeno	4	4
Teža			
Teža brez baterije v kg	24	26	28
Baterija			
Vrsta baterije	Serija baterij Husqvarna	Serija baterij Husqvarna	Serija baterij Husqvarna
Avtonomija baterije			
Avtonomija baterije, najkrajša, (prosto delovanje) z aktivirano funkcijo SavE, z eno baterijo Husqvarna z močjo 5,2 Ah (Bli200).	43	43	32
Avtonomija baterije, najkrajša, (prosto delovanje) z aktiviranim standardnim načinom, z eno baterijo Husqvarna moči 5,2 Ah (Bli200).	30	30	20
Emisije hrupa ⁷⁰			
Raven zvočne moči, izmerjena v dB (A)	94	94	97

⁷⁰ Emisije hrupa v okolje, merjene kot moč zvoka (L_{WA}), v skladu z direktivo ES 2000/14/ES.

	LC 247IX/LC 247I	LC 347IVX/LC 347IV	LC 353IVX/LC 353IV
Zajamčen nivo zvočne moči, L_{WA} dB(A)	95	95	98
Nivoji hrupa ⁷¹			
Nivo zvočnega tlaka pri ušesu operaterja, dB(A)	82	82	86
Ravni vibracij ⁷²			
Ročaj, m/s^2	0,42	0,42	2,64
Rezalna oprema			
Višina reza v mm	20–75 mm	20–75 mm	20–75 mm
Širina reza, cm	47	47	53
Standardno rezilo	Za zbiranje 5905934-10	Za zbiranje 5905934-10	Za zbiranje 5940757-10
Dodatno rezilo	Mulčenje 5907010-10	Mulčenje 5907010-10	Mulčenje 5950072-10
Prostornina zbiralnika za travo, litri	55	55	60

Podatki o radijski frekvenci za Bluetooth®	LC 247IX	LC 347IVX	LC 353IVX
Frekvenčni pas, GHz	2,4–2,4835	2,4–2,4835	2,4–2,4835
Izhodna moč, najv. dBm	4	4	4

Homologirane baterije	Vrsta	Zmogljivost baterije, Ah	Napetost, V	Teža, lb/kg
BLi20	Litij-ionska	4,0	36	2,6/1,2
BLi30	Litij-ionska	7,7	36	4,2/1,9
BLi200	Litij-ionska	5,2	36	2,8/1,3
BLi300	Litij-ionska	9,4	36	4,1/1,9

Odobreni polnilniki za določene baterije, BLI	Vhodna napetost, V	Frekvenca, Hz	Moč, W
QC80	100–240	50–60	80
QC80F	12	0	80
QC250	100–240	50–60	250

⁷¹ Zabeleženi podatki za nivo zvočnega tlaka imajo tipično statistično razpršitev (standardni odklon) 1,2 dB(A).

⁷² Zabeleženi podatki za raven vibracij imajo tipično statistično razpršitev (standardni odklon) v višini 0,2 m/s^2 . Standard za vibracije EN 60335-2-77:2017; poglavje 20.105

Odobreni polnilniki za določene baterije, BLi	Vhodna napetost, V	Frekvenca, Hz	Moč, W
QC330	100-240	50-60	330
QC500	100-240	50-60	500

Izjava ES o skladnosti

Izjava ES o skladnosti

Husqvarna AB, SE-561 82 Huskvarna, Švedska, tel: +46-36-146500, izjavlja, da kosilnica **Husqvarna LC 247i, LC 247iX, LC 347iV, LC 347iVX, LC 353iV, LC 353iVX** od modelnega leta 2018 dalje v skladu z zahtevami DIREKTIVE SVETA:

- z dne 8. junija 2011 o omejevanju uporabe nekaterih nevarnih snovi v električni in elektronski opremi, **2011/65/EU**
- Direktive **2006/42/ES** z dne 17. maja 2006 o strojih in
- z dne 8. maja 2000 o emisijah hrupa v okolje **2000/14/ES**

Za informacije v zvezi z emisijami hrupa glejte poglavje *Tehnični podatki na strani 619.*

Uporabljeni so naslednji standardi:

EN/IEC 60335-1, EN/IEC 60335-2-77, EN/IEC 62233, EN 55014-1, EN ETSI 301 489-7 v1.3.1, EN 61000-6,

ETSI EN 61000-6-1, EN 300 328 BT low energy Tx/Rx, EN 50581

Če ni drugače navedeno, zgoraj navedeni standardi veljajo kot najnovejše objavljene različice.

Priglašeni organ: **0404, RISE SMP Svensk Maskinprovning AB, Box 7035, SE-750 07 Uppsala** je opravil oceno skladnosti v skladu s prilogo VI direktive 2000/14/ES.

Huskvarna, 2020-04-22



Claes Losdal, Vodja oddelka za razvoj vrtno opreme (Pooblaščen zastopnik družbe Husqvarna AB in odgovorni za sestavo tehnične dokumentacije.)

Registrirane blagovne znamke

Besedna znamka in logotipi *Bluetooth®* so registrirane blagovne znamke v lasti *Bluetooth SIG, inc.* Vsaka uporaba teh oznak s strani Husqvarna je na podlagi licence.

Sadržaj

Uvod.....	623	Rešavanje problema.....	642
Bezbednost.....	627	Transport, skladištenje i odlaganje.....	644
Sklapanje.....	635	Tehnički podaci.....	645
Rukovanje.....	636	EZ deklaracija o usaglašenosti.....	648
Održavanje.....	641	Registrovani žigovi.....	648

Uvod

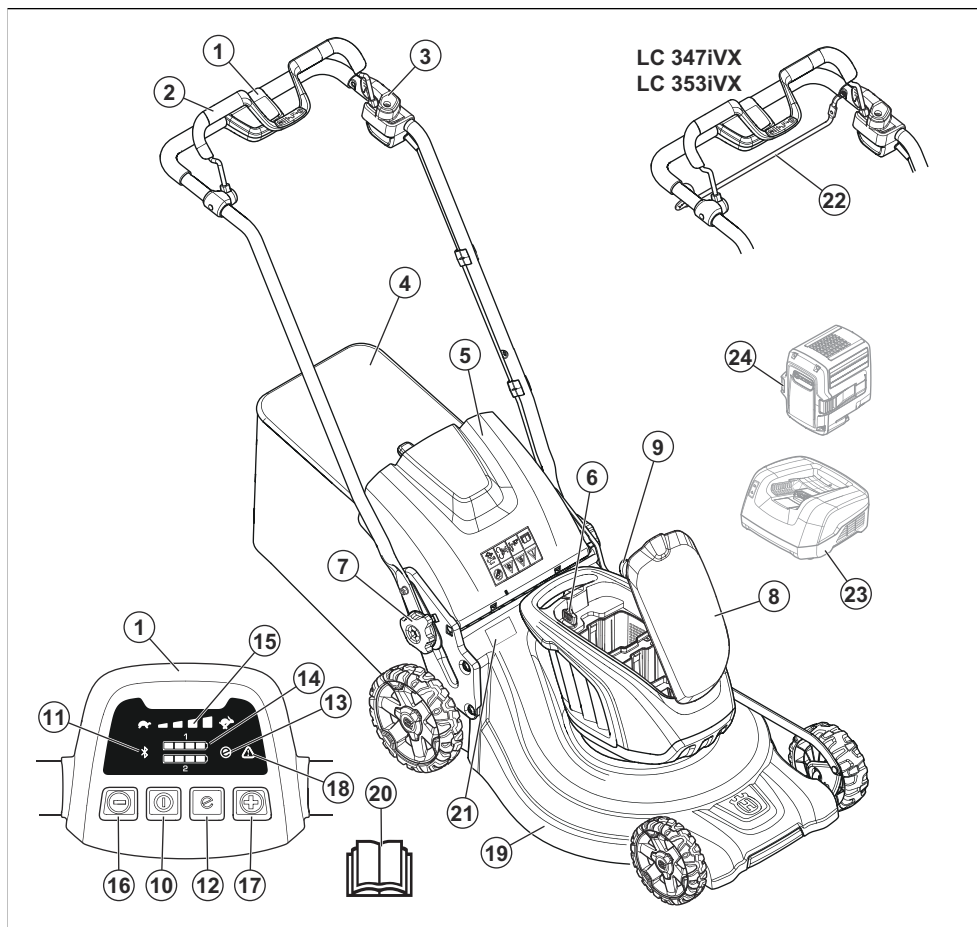
Opis proizvoda

Proizvod je rotaciona kosačica koju kontroliše rukovalac. Trava se sakuplja u hvatač trave. Uklonite hvatač trave kako biste omogućili pražnjenje trave na zadnjoj strani. Postavite komplet za usitnjavanje (oprema) za košenje trave u đubrivo.

Namena

Koristite proizvod za košenje trave. Nemojte koristiti proizvod za druge zadatke.

Pregled proizvoda



- | | |
|--|--|
| 1. Kontrolna tabla | 15. Indikator nivoa brzine (LC 347iV, LC 347iVX, LC 353iV, LC 353iVX) |
| 2. Ručica kočnice motora | 16. Dugme za smanjenje brzine (LC 347iV, LC 347iVX, LC 353iV, LC 353iVX) |
| 3. Inhibitor pokretanja | 17. Dugme za povećanje brzine (LC 347iV, LC 347iVX, LC 353iV, LC 353iVX) |
| 4. Hvatač trave | 18. LED lampica greške |
| 5. Zadnji poklopac | 19. Poklopac košenja |
| 6. Bezbednosni ključ | 20. Korisničko uputstvo |
| 7. Dugme ručice | 21. Nazivna pločica |
| 8. Poklopac akumulatora | 22. Pritiskivač pogona (LC 347iV, LC 347iVX, LC 353iV, LC 353iVX) |
| 9. Komanda visine košenja | 23. Punjač akumulatora (oprema) |
| 10. Dugme za uključivanje/isključivanje (ON/OFF) | 24. Akumulator (oprema) |
| 11. Indikator za <i>Bluetooth</i> [®] bežičnu tehnologiju | |
| 12. Dugme SavE | |
| 13. Indikator SavE | |
| 14. Indikator akumulatora | |

Simboli na proizvodu



UPOZORENJE! Budite pažljivi i koristite proizvod na pravilan način. Ovaj proizvod može prouzrokovati teške telesne povrede ili smrt rukovaoca i drugih osoba.



Pre korišćenja pažljivo pročitajte korisničko uputstvo i uverite se da razumete njegov sadržaj.



Pazite da ljudi i životinje budu na bezbednoj udaljenosti od radnog područja.



Pazite na odbačene predmete i odskakivanja.



Upozorenje: Udaljite šake i stopala od rotirajućeg sečiva.



Upozorenje: Udaljite šake i stopala od rotirajućih delova.



Uklonite bezbednosni ključ pre popravke ili održavanja proizvoda.



Nemojte izlagati kiši.



Ovaj proizvod ili pakovanje ne treba tretirati kao kućni otpad. Reciklirajte ga na lokaciji za recikliranje električne i elektronske opreme.



Proizvod je usaglašen sa važećim EZ direktivama.



Proizvod je usaglašen sa važećim direktivama Evroazijske carinske unije.



Proizvod je usaglašen sa važećim UkrSEPRO direktivama.



Proizvod je usaglašen sa važećim RCM direktivama. Primenjivo samo za Australiju/Novi Zeland



Emisije buke u okruženje u skladu sa evropskom Direktivom 2000/14/EZ i propisom o zaštiti radova u okruženju (kontrola buke) Novog Južnog Velsa iz 2017. Podaci o emisiji buke su navedeni na nalepnici mašine i u poglavlju Tehnički podaci.

IPX1 Proizvod ima zaštitu od kapanja.

Postupak pokretanja: pritisnite dugme za uključivanje/isključivanje (ON/OFF), olabavite inhibitor pokretanja, pritisnite ručicu kočnice motora.



Otpustite ručicu kočnice motora za zaustavljanje.



Sporo



Brzo



Kôd koji se može skenirati

Napomena: Ostali simboli/ nalepnice koji su navedeni na proizvodu važe za specifične zahteve sertifikata na određenim tržištima.

Nalepnica na proizvodu



Udaljite šake i stopala od rotirajućih sečiva.

Odgovornost za proizvod

Kako je izloženo u zakonima o odgovornosti za proizvode, mi nismo odgovorni za oštećenja prouzrokovana našim proizvodom u sledećim slučajevima:

- proizvod je popravljen na pogrešan način
- proizvod je popravljen korišćenjem delova koji nisu napravljeni ili odobreni od strane proizvođača
- proizvod ima opremu koja ne potiče ili nije odobrena od strane proizvođača
- proizvod nije popravljen u ovlašćenom servisnom centru ili od strane ovlašćenog stručnjaka

Bezbednosne definicije

Upozorenja, mere opreza i napomene se koriste da ukažu na naročito važne delove korisničkog uputstva.



UPOZORENJE: Koristi se ako, usled nepoštovanja uputstava, postoji rizik od nastanka telesnih povreda ili smrti kod rukovaoca ili prisutnih osoba.



OPREZ: Koristi se ako, usled nepoštovanja uputstava, postoji rizik od nastanka oštećenja na proizvodu, drugim materijalima ili susednim oblastima.

Napomena: Koristi se za pružanje više informacija koje su neophodne u datoj situaciji.

Opšta bezbednosna uputstva



UPOZORENJE: Pročitajte upozoravajuća uputstva koja slede pre korišćenja proizvoda.

- Proizvod je opasan ako se koristi na nepravilan način ili ako niste oprezni. Može doći do telesne povrede ili smrti ako se ne pridržavate bezbednosnih uputstava.
- Ovaj proizvod pri radu stvara elektromagnetno polje. Ovo polje u određenim uslovima može da izazove smetnje na aktivnim i pasivnim medicinskim implantatima. U cilju smanjenja rizika od uslova nastanka teških ili smrtnih telesnih povreda, preporučujemo osobama koje imaju medicinske implantate da se pre upotrebe ovog proizvoda konsultuju sa lekarom ili proizvođačem implantata.
- Uvek budite pažljivi i koristite zdrav razum. Ako niste sigurni kako da rukujete proizvodom u određenoj situaciji, prekinite rad i obratite se Husqvarna prodavcu pre nastavka rada.
- Imajte na umu da će se rukovalac smatrati odgovornim za nesrećne slučajeve koji uključuju druge osobe ili njihovu imovinu.

- Održavajte proizvod čistim. Pobrinite se da jasno možete pročitati znakove i nalepnice.
- Nikada nemojte dozvoliti deci ili osobama koje nisu pročitale ova uputstva da koriste uređaj. Uzrast rukovaoca je možda ograničen lokalnim propisima
- Uvek nadzirite osobu sa smanjenim fizičkim ili mentalnim sposobnostima koja koristi proizvod. Odgovorna odrasla osoba mora biti prisutna sve vreme.
- Nemojte da koristite proizvod kada ste umorni, bolesni ili pod uticajem alkohola, droge ili lekova. To ima negativan uticaj na vašu moć vida, opreznost, koordinaciju i rasuđivanje.
- Nemojte da koristite proizvod ako je pokvaren.
- Nemojte vršiti izmene na proizvodu i nemojte koristiti proizvod ako postoji mogućnost da su druge osobe vršile izmene na njemu.
- Uklonite predmete kao što su grane, grančice i kamenje iz radnog područja pre nego što počnete da koristite proizvod.
- Predmeti koji udare o opremu za košenje mogu da budu izbačeni i izazovu povredu osoba ili oštećenje predmeta. Pazite da prisutne osobe i životinje budu na bezbednoj udaljenosti od proizvoda.
- Nikada nemojte koristiti proizvod u lošim vremenskim uslovima kao što su magla, kiša, jak vetar, intenzivna hladnoća i kada postoji opasnost od pojave munja. Korišćenje proizvoda u lošim vremenskim uslovima ili na vlažnim lokacijama je zamorno. Loši vremenski uslovi mogu da izazovu opasne okolnosti, kao što su klizave površine.
- Vodite računa o osobama, predmetima i situacijama koji bi mogli da spreče bezbedan rad proizvoda.
- Pazite na prepreke, kao što su korenje, kamenje, grančice, jame i jarci. Visoka trava može da sakrije prepreke.
- Košenje trave na nagibima može biti opasno. Ne kosite na izuzetno strmim nagibima. Nemojte koristiti proizvod na

Bezbednost u radnom području



UPOZORENJE:

Pročitajte upozoravajuća uputstva koja slede pre korišćenja proizvoda.

terenu koji ima nagib veći od 15°

- Strogo vodite računa pri promeni smera na nagibima. Rukujte proizvodom preko prednjih strana nagiba. Nemojte ga pomerati gore i dole.
- Budite pažljivi kada se približavate skrivenim uglovima i predmetima koji bi mogli da blokiraju vaš vidik.

Bezbednost na radu



UPOZORENJE:

Pročitajte upozoravajuća uputstva koja slede pre korišćenja proizvoda.

- Koristite ovaj proizvod samo za košenje travnjaka. Nije dozvoljeno njegovo korišćenje za druge zadatke.
- Koristite ličnu zaštitnu opremu. Pogledajte *Lična zaštitna oprema na stranici 630*.
- Naučite kako da brzo zaustavite motor u slučaju opasnosti.
- Nemojte raditi sa proizvodom po kiši ili u vlažnim uslovima. Opasnost od strujnog udara se povećava ako voda prodre u proizvod.
- Nemojte raditi sa proizvodom ako sečivo i svi poklopci nisu pravilno postavljeni. Nepravilno postavljeno sečivo se može otkaćiti i prouzrokovati telesnu povredu.
- Pobrinite se da sečivo ne udara o predmete kao što su kamenje ili korenje. To može dovesti do oštećenja sečiva i savijanja osovine motora. Savijena osovina proizvodi velike vibracije i postoji povećana opasnost da se sečivo olabavi.
- Ako sečivo udari o predmet ili ako se pojave vibracije, odmah zaustavite proizvod. Zaustavite motor, okrenite bezbednosni ključ u položaj 0 i uklonite akumulator. Pregledajte proizvod u pogledu oštećenja. Otklonite oštećenja ili dozvolite ovlašćenom servisnom agentu da izvrši popravku.
- Nikada nemojte postavljati ručicu kočnice motora trajno na ručku kada je motor pokrenut.
- Postavite proizvod na stabilnu, ravnu površinu i pokrenite ga. Vodite računa da sečivo ne dodiruje tlo ili druge predmete.
- Uvek stojte iza proizvoda kada radite sa njim.
- Vodite računa da svi točkići ostanu na tlu i držite dve ruke

na ručki kada rukujete proizvodom. Udaljite šake i stopala od rotirajućih sečiva.

- Nemojte nagnjati proizvod kada je motor pokrenut.
- Budite pažljivi kada povlačite proizvod unazad.
- Nikada nemojte podizati proizvod kada je motor pokrenut. Ako morate podići proizvod, prvo zaustavite motor, okrenite bezbednosni ključ u položaj 0 i uklonite akumulator.
- Nemojte hodati unazad kada radite sa proizvodom.
- Zaustavite motor kada se krećete preko područja bez trave, na primer, stazica napravljenih od šljunka, kamena i asfalta.
- Nemojte trčati sa proizvodom kada je motor pokrenut. Uvek hodajte kada radite sa proizvodom.
- Zaustavite motor pre nego što promenite visinu košenja. Nikada nemojte da vršite podešavanja dok je motor pokrenut.
- Nikada nemojte dozvoliti da proizvod ostane bez nadzora dok je motor pokrenut. Zaustavite motor i uverite se da se oprema za košenje ne okreće.

Bezbednosna uputstva za rad

Lična zaštitna oprema



UPOZORENJE:

Pročitajte upozoravajuća uputstva koja slede pre korišćenja proizvoda.

- Lična zaštitna oprema ne može da u potpunosti spreči telesnu povredu, ali ona umanjuje stepen telesne povrede ako dođe do nesrećnog slučaja. Neka vam vaš prodavac pomogne u izboru odgovarajuće opreme.
- Nosite čvrste neklizjuće cizme ili cipele. Nemojte nositi obuću sa otvorenim prstima ili ići bosonogi.
- Uvek nosite duge pantalone od čvrstog materijala.
- Nosite zaštitne rukavice po potrebi, na primer, kada pričvršćujete, pregledate ili čistite opremu za košenje.

Bezbednosni uređaji na proizvodu



UPOZORENJE:

Pročitajte upozoravajuća uputstva koja slede pre korišćenja proizvoda.

- Nemojte koristiti proizvod na kojem su oštećeni bezbednosni uređaji.
- Redovno proveravajte bezbednosne uređaje. Ako su bezbednosni uređaji neispravni, obratite se svom Husqvarna servisnom agentu.

Provera poklopca mehanizma za košenje

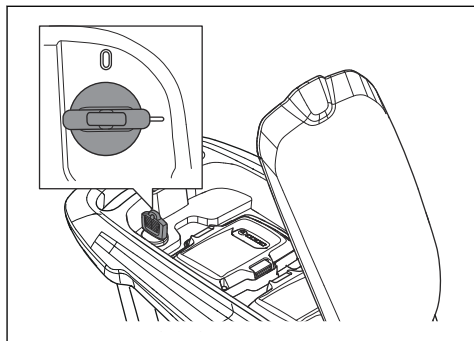
Poklopac mehanizma za košenje smanjuje vibracije u proizvodu, kao i rizik od povrede nožem.

- Pregledajte poklopac košenja kako biste se uverili da nema oštećenja kao što su naprsline.

Bezbednosni ključ

Bezbednosni ključ se nalazi ispod poklopca akumulatora. Bezbednosni ključ povezuje akumulator koji snabdeva motor napajanjem.

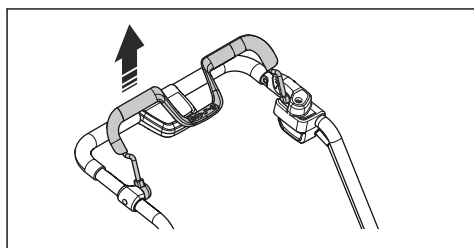
- Pokrenite i zaustavite motor da biste izvršili proveru bezbednosnog ključa.
- Ako bezbednosni ključ ispravno radi, motor se može pokrenuti samo kada je ključ u položaju 1.



Ručica kočnice motora

Ručica kočnice motora zaustavlja motor. Kada je ručica kočnice motora otpuštena, motor se zaustavlja.

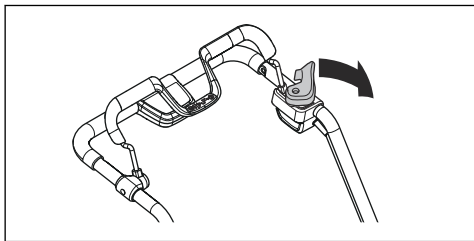
Da biste izvršili proveru kočnice motora, pokrenite motor a zatim otpustite ručicu kočnice motora. Ako se motor ne zaustavi u roku od 3 sekunde, neka ovlašćeni Husqvarna servisni agent izvrši podešavanje kočnice motora.



Provera inhibitora pokretanja

Izvršite proveru inhibitora pokretanja kako biste se uverili da sprečava rad motora.

1. Pritisnite ručicu kočnice motora u smeru upravljača. Inhibitor pokretanja zaustavlja kretanje.
2. Pritisnite inhibitor pokretanja ka spolja.



3. Otpustite inhibitor pokretanja i uverite se da se vraća u početni položaj.

Bezbedna upotreba akumulatora



UPOZORENJE:

Pročitajte upozoravajuća uputstva koja slede pre korišćenja proizvoda.

- Koristite Husqvarna punjive akumulatora kao izvor napajanja samo za odgovarajuće Husqvarna proizvode. Kako bi se sprečila povreda, nemojte koristiti akumulator kao izvor napajanja za druge uređaje.
- Nemojte koristiti akumulatora koji se ne mogu puniti.
- Opasnost od strujnog udara. Nemojte povezivati terminale akumulatora na ključeve, kovanice, vijke ili druge metalne predmete. To može dovesti do kratkog spoja akumulatora.
- Nemojte stavljati predmete u proreze za vazduh akumulatora.
- Držite akumulator tako da ne bude izložen sunčevoj svetlosti, toploti ili otvorenom plamenu. Akumulator može da eksplodira i izazove opekotine i/ili hemijske opekotine.
- Držite akumulator tako da ne bude izložen kiši i vlažnim uslovima.
- Držite akumulator dalje od mikrotalasnih pećnica i visokog pritiska.
- Nemojte pokušavati da rastavite ili lomite akumulator.
- Ako akumulator curi, ne dozvolite da vam ta tečnost dospe na kožu ili u oči. Ako ste dodirnuli tečnost, isperite površinu velikom količinom vode i obratite se doktoru.
- Koristite akumulator na temperaturama između $-10\text{ }^{\circ}\text{C}$ i $40\text{ }^{\circ}\text{C}$.
- Nemojte čistiti akumulator ili punjač akumulatora vodom. Pogledajte *Čišćenje akumulatora i punjača akumulatora na stranici 641*.

- Nemojte koristiti defektan ili oštećen akumulator.
- Držite akumulatore uskladištene tako da budu udaljeni od metalnih predmeta kao što su ekseri, kovanice, nakit.

Bezbedna upotreba punjača akumulatora



UPOZORENJE:

Pročitajte upozoravajuća uputstva koja slede pre korišćenja proizvoda.

- Koristite QC punjače akumulatora samo za punjenje Husqvarna zamenskih akumulatora.
- Opasnost od strujnog udara ili kratkog spoja. Nemojte stavljati predmete u proreze za vazduh punjača. Nemojte pokušavati da rasklopite punjač akumulatora. Nemojte povezivati terminale punjača na metalne predmete. Koristite odobrenu mrežnu utičnicu.
- Ovaj proizvod pri radu stvara elektromagnetno polje. Ovo polje u određenim uslovima može da izazove smetnje na aktivnim i pasivnim medicinskim implantima. U cilju smanjenja rizika od uslova od nastanka teških ili smrtnih povreda, preporučujemo osobama koje imaju medicinske implante da se pre upotrebe ovog uređaja konsultuju sa lekarom ili proizvođačem implanta.
- Redovno proveravajte da kabl za napajanje punjača akumulatora nije oštećen i da na njemu ne postoje naprsline.
- Nemojte podizati punjač akumulatora za kabl za napajanje. Da biste iskopčali punjač akumulatora sa mrežne utičnice, povucite utikač. Ne vucite kabl za napajanje.
- Držite kabl za napajanje i produžni kabl dalje od vode, ulja i oštih ivica. Uverite se da kabl nije priklješten vratima, ogradom ili sličnim stvarima. Time punjač može da dođe pod napon.
- Nemojte čistiti punjač akumulatora vodom.
- Punjač akumulatora mogu koristiti deca uzrasta 8 godina i starija i osobe sa smanjenim fizičkim, senzornim ili mentalnim sposobnostima ili nedostatkom iskustva i znanja ako su pod nadzorom ili su upućeni u pogledu korišćenja punjača akumulatora na bezbedan način i razumeju povezane opasnosti. Deca ne

smeju da se igraju sa punjačem akumulatora. Deca ne smeju da čiste i održavaju uređaj bez nadzora.

- Nemojte puniti akumulatore koji se ne pune u punjaču akumulatora.
- Nemojte koristiti punjač akumulatora u blizini zapaljivih materijala ili materijala koji mogu da izazovu koroziju. Nemojte pokrivati punjač akumulatora. Izvucite utikač kabla iz punjača akumulatora ako se pojave dim ili vatra.
- Nemojte koristiti defektan ili oštećen punjač akumulatora.
- Akumulator puniti samo u zatvorenom prostoru u prostoriji sa dobrom ventilacijom i podalje od sunčeve svetlosti. Nemojte puniti akumulator u vlažnim uslovima.

Bezbednosna uputstva za održavanje



UPOZORENJE:

Pročitajte upozoravajuća uputstva koja slede pre korišćenja proizvoda.

- Kako biste sprečili slučajno pokretanje tokom održavanja, okrenite bezbednosni ključ u položaj 0 i uklonite

akumulator. Sačekajte najmanje 5 sekundi pre nego što počnete da vršite održavanje.

- Pravilno vršite rad na održavanju kako biste povećali radni vek proizvoda i smanjili rizik od nesrećnih slučajeva. Neka ovlašćeni servisni agent izvrši stručne popravke. Obratite se najbližem servisnom agentu za više informacija.
- Vršite samo one radove na održavanju proizvoda koji su navedeni u ovom korisničkom uputstvu. Svaki veći rad mora da izvrši ovlašćeni servisni agent.
- Nosite čvrste rukavice kada koristite opremu za košenje. Sečivo je veoma oštro i lako dolazi do posekotina.
- Održavajte rezne ivice oštrom i čistim kako biste dobili najbolje i najbezbednije performanse.
- Neka servisni agent redovno proverava proizvod i vrši potrebna podešavanja i popravke.
- Zamenite oštećene, pohabane ili pokvarene delove.
- Pridržavajte se uputstava za zamenu opreme. Koristite samo opremu od proizvođača.

- Kada se ne koriste, čuvajte proizvod, akumulator i punjač akumulatora odvojeno na suvom i zaključanom zatvorenom mestu. Pobrinite

se da deca i neovlašćene osobe ne mogu imati pristup proizvodu, akumulatoru ili punjaču akumulatora.

Sklapanje

Uvod



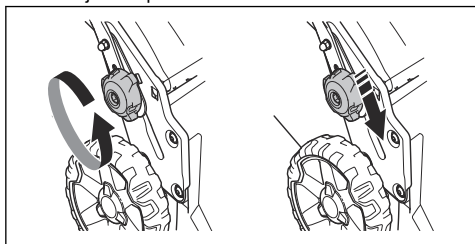
UPOZORENJE: Pre sklapanja proizvoda, pročitajte poglavlje o bezbednosti.



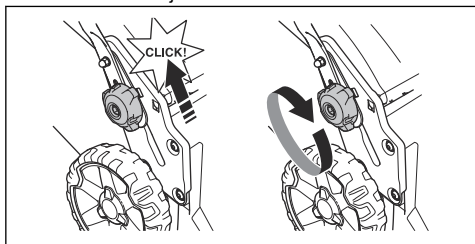
UPOZORENJE: Kako biste sprečili slučajno pokretanje tokom sklapanja, okrenite bezbednosni ključ u položaj 0, uklonite akumulator i sačekajte najmanje 5 sekundi.

Podešavanje ručke

1. Olabavite donju dugmad.
2. Pomerite dugmad u donji kraj žlebova na levoj i desnoj strani proizvoda.



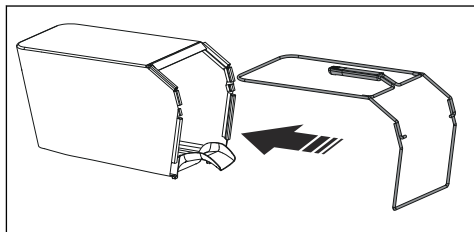
3. Stavite ručku u jedan od 2 položaja za visinu.
4. Pomerite dugmad nagore u smeru ručke dok se ne zaustave i ne čujete klik zvuk.



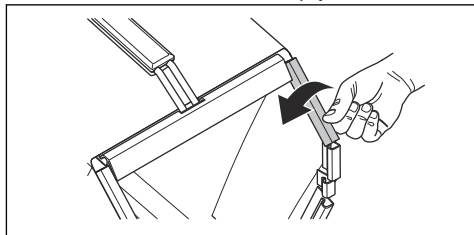
5. Potpuno zategnite dugmad.

Sklapanje hvatača trave

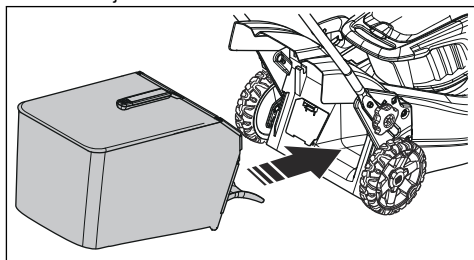
1. Postavite ram hvatača trave na vreću za travu tako da krut deo vreće bude na dnu. Ručica rama treba da bude na vrhu vreće za travu.



2. Postavite donji deo rama hvatača trave u žleb na dnu hvatača trave.
3. Pričvrstite okvir vreće za travu spojnicama.

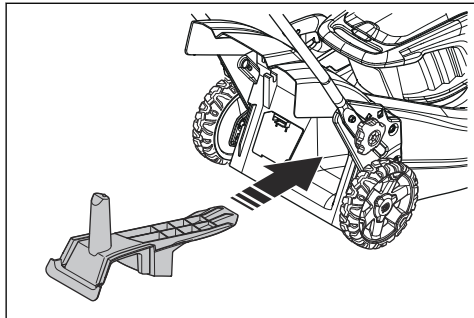


4. Podignite zadnji poklopac.
5. Pričvrstite hvatač trave na gornju ivicu šasije.
6. Stavite donji deo hvatača trave u kanal sa izbacivanjem trave.



Postavljanje zatvarača za usitnjavanje (dodatak)

1. Podignite zadnji poklopac i uklonite hvatač trave.
2. Postavite zatvarač za usitnjavanje u kanal za izbacivanje trave.



3. Zamenite nož nožem za usitnjavanje iz kompleta za usitnjavanje. Pogledajte *Uklanjanje i zamena sečiva na stranici 642*.

Rukovanje

Uvod



UPOZORENJE: Pre rada sa proizvodom, morate pročitati i razumeti poglavlje o bezbednosti.

Husqvarna Connect

Husqvarna Connect je besplatna aplikacija za mobilne uređaje. Aplikacija Husqvarna Connect pruža proširene funkcije za proizvod Husqvarna:

- Dodatne informacije o proizvodu.
- Informacije o delovima proizvoda i servisiranju i pomoći u vezi s njima.

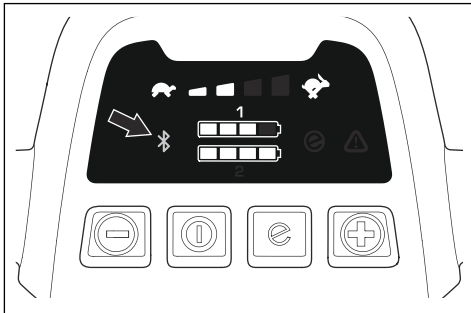
Da biste počeli koristiti Husqvarna Connect

1. Preuzmite aplikaciju Husqvarna Connect na svoj mobilni uređaj.
2. Registrirajte se u aplikaciji Husqvarna Connect.
3. Pratite uputstva u aplikaciji Husqvarna Connect da biste se spojili i registrovali proizvod.

Bluetooth® informacija (LC 247iX, LC 347iVX, LC 353iVX)

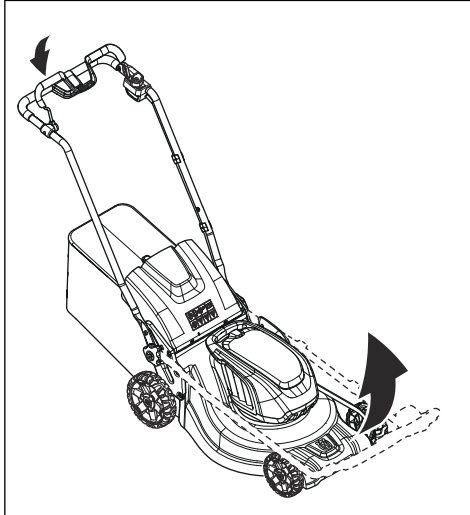
Bluetooth® bežična tehnologija

Simbol za *Bluetooth®* bežičnu tehnologiju se pojavljuje kada je vaš mobilni uređaj povezan na proizvod.

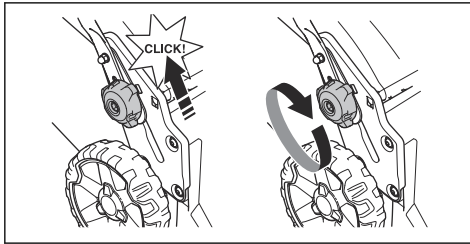


Stavljanje proizvoda u položaj za rad

1. Savijte ručku u uspravan položaj.



2. Pomerite dugmad nagore u smeru ručke dok se ne zaustave i ne čujete klik zvuk.



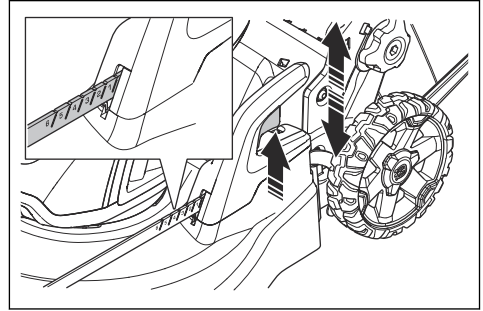
3. Potpuno zategnite dugmad.

Podešavanje visine košenja

Visina košenja se može podesiti u 6 nivoa.

1. Pomerite ručicu visine košenja nadole da biste smanjili visinu košenja.

2. Pomerite ručicu visine košenja nagore da biste smanjili visinu košenja.



OPREZ: Nemojte postavljati visinu košenja suviše nisko. Sečiva mogu da udare o tlo ako površina travnjaka nije ujednačena.

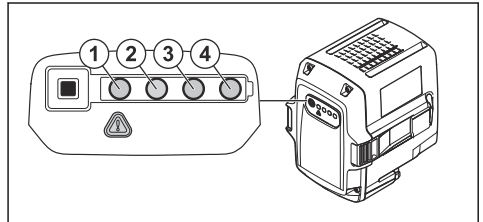
Akumulator



UPOZORENJE: Pre korišćenja akumulatora, morate pročitati i razumeti poglavlje o bezbednosti. Takođe morate pročitati i razumeti korisničko uputstvo za akumulator i punjač akumulatora.

Status akumulatora

Displej prikazuje preostali kapacitet akumulatora kao i da li postoje problemi sa akumulatorom. Kapacitet akumulatora se prikazuje 5 sekundi nakon isključivanja proizvoda ili pritiska na dugme indikatora akumulatora. Simbol upozorenja na akumulatoru se prikazuje kada je došlo do greške. Pogledajte *Akumulator na stranici 642*.



LED lampice	Status akumulatora
Sve LED lampice svetle	Potpuno napunjeno (75-100%)
LED br. 1, LED br. 2, LED br. 3 svetle	Akumulator je 50%-75% napunjen
LED br. 1, LED br. 2 svetle	Akumulator je 25%-50% napunjen

LED lampice	Status akumulatora
LED br. 1 svetli	Akumulator je 0%-25% napunjen.
LED br. 1 trepće	Akumulator je prazan. Napunite akumulator.

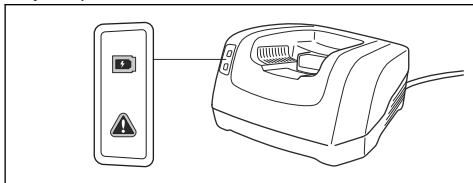
Punjenje akumulatora

Napunite akumulator pre prvog korišćenja. Akumulator je samo 30% napunjen prilikom isporuke kupcu.

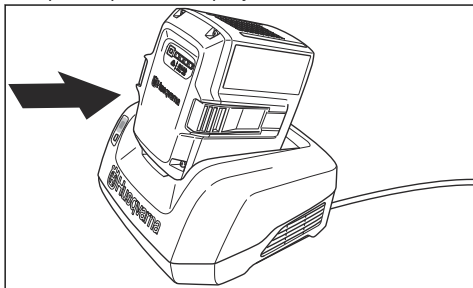
Napomena: Punjač akumulatora je potrebno povezati na napon i frekvenciju navedenu na nazivnoj pločici.

Akumulator se ne puni ako je temperatura akumulatora iznad 50 °C. Punjač akumulatora smanjuje temperaturu akumulatora pre početka punjenja.

1. Povežite jedan kraj kabla za napajanje za punjač akumulatora u utičnicu punjača akumulatora.
2. Povežite drugi kraj kabla za napajanje za punjač akumulatora u uzemljenu mrežnu utičnicu. LED lampica na punjaču akumulatora trepće zeleno jedanput.



3. Stavite akumulator u punjač akumulatora. Zelena lampica na punjaču svetli kada je akumulator ispravno povezan na punjač akumulatora.



4. Akumulator je potpuno napunjen kada na njemu svetle sve LED lampice. Punite akumulator najviše 24 sata.
5. Da biste iskopčali punjač akumulatora iz mrežne utičnice, povucite utikač, a ne kabl za napajanje.
6. Izvadite akumulator iz punjača akumulatora.

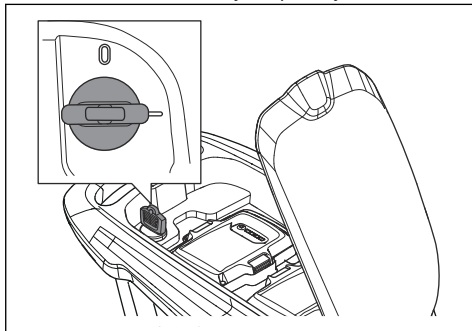
Status punjenja akumulatora

Husqvarna litijum-jonski akumulator se može puniti ili koristiti na svim nivoima punjenja. Akumulator nije oštećen. Potpuno napunjen akumulator neće smanjiti punjenje kada je akumulator ostavljen na punjaču.

LED displej	Status punjenja
LED br. 1 trepće	0%-25%
LED br. 1 svetli, LED br. 2 trepće	25%-50%
LED br. 1, LED br. 2 svetle, LED br. 3 trepće	50%-75%
LED br. 1, LED br. 2, LED br. 3 svetle, LED br. 4 trepće	75%-100%
LED br. 1, LED br. 2, LED br. 3, LED br. 4 svetle	Potpuno napunjeno

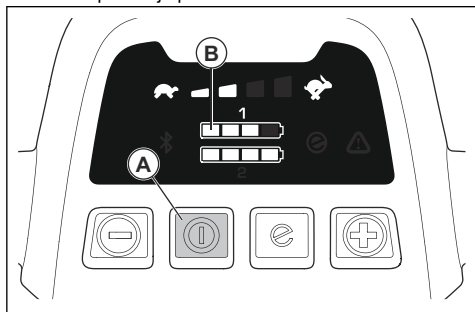
Pokretanje proizvoda

1. Otvorite poklopac akumulatora.
2. Stavite napunjen akumulator u 1 od odeljaka za akumulator. Za duže vreme rada, stavite drugi napunjen akumulator u drugi odeljak za akumulator.
3. Okrenite bezbednosni kličuč u položaj 1.

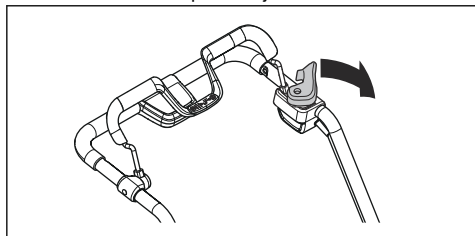


4. Stanite iza proizvoda.

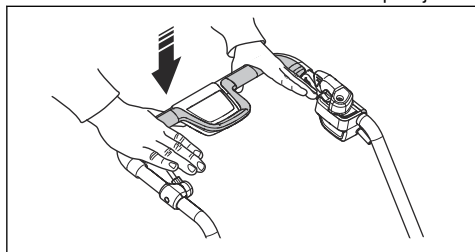
5. Pritisnite dugme za uključivanje/isključivanje (ON/OFF) (A) na kontrolnoj tabli. Prikazuje se displej. Indikator akumulatora (B) prikazuje punjenje 2 akumulatora. Broj akumulatora koji je u radu je prikazan pored indikatora akumulatora. Za modele LC 347iV, LC 347iVX, LC 353iV, LC 353iVX, displej takođe prikazuje podešenu brzinu.



6. Olabavite inhibitor pokretanja.

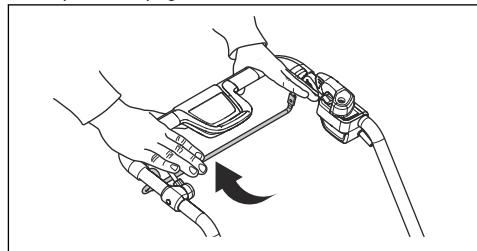


7. Pritisnite ručicu kočnice motora u smeru upravljača.

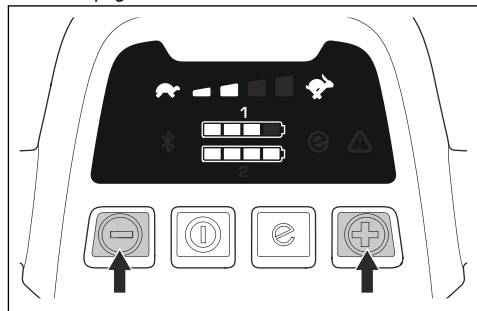


Korišćenje pogona na točkicama LC 347iV, LC 347iVX, LC 353iV, LC 353iVX

- Povucite pogonsku osovinu u smeru upravljača da bi se pokrenuo pogon.



- Pritisnite + i - na kontrolnoj tabli da biste postavili brzinu pogona u 4 koraka.

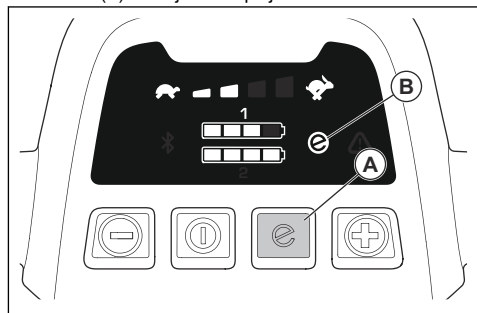


- Otpustite pritisnivač pogona da biste deaktivirali pogon, na primer, kada se nalazite blizu prepreke.

Korišćenje funkcije

Proizvod ima funkciju uštede akumulatora (e) koja pruža duže vreme rada.

1. Pritisnite dugme (A) da biste pokrenuli funkciju. Simbol (B) prikazuje se na displeju.
2. Ponovo pritisnite dugme da biste zaustavili funkciju. Simbol (B) nestaje sa displeja.



Funkcija se automatski zaustavlja ako uslovi tla zahtevaju veću izlaznu snagu. Funkcija se automatski ponovo pokreće kada uslovi tla to dozvoljavaju.

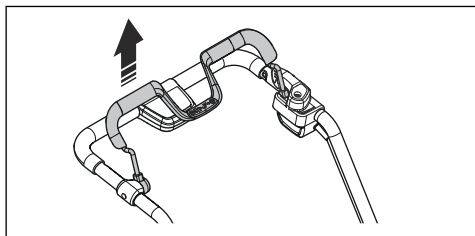
Funkcija velikog opterećenja

Kada se proizvodom kosi visoka ili vlažna trava, motor automatski povećava broj obrtaja. Motor se vraća u standardni režim kada veliko opterećenje nije potrebno.

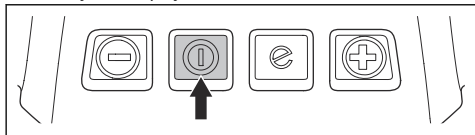
Zaustavljanje proizvoda

Proizvod se automatski zaustavlja ako ne radite sa njim tokom 10 minuta. Uvek okrenite bezbednosni ključ u položaj 0 pre nego što ostavite proizvod bez nadzora.

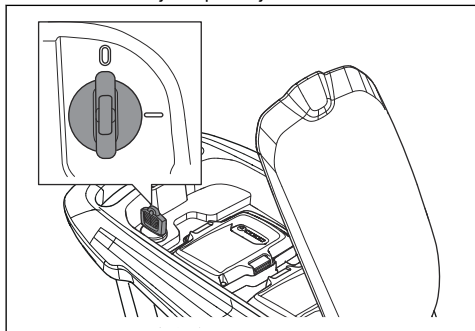
1. Otpustite ručicu kočnice motora da biste zaustavili motor.



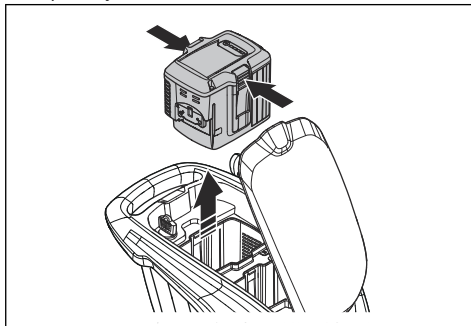
2. Pritisnite dugme za uključivanje/isključivanje (ON/OFF) na kontrolnoj tabli. Sve LED lampice i simboli nestaju sa displeja.



3. Otvorite poklopac akumulatora i okrenite bezbednosni ključ u položaj 0.



4. Da biste uklonili akumulator, pritisnite 2 dugmeta za otpuštanje i izvucite akumulator.



5. Napunite akumulator ako je prazan. Za više informacija pogledajte *Punjenje akumulatora na stranici 638*.

Za dobre rezultate

- Uvek koristite oštro sečivo. Tupo sečivo daje neujednačeni rezultat i pokošena površina trave postaje žuta. Oštro sečivo takođe koristi manje energije nego tupo sečivo.
- Nemojte kositi više od 1/3 dužine trave. Prvo kosite sa visokom visinom košenja. Pregledajte rezultat i spustite visinu košenja na prihvatljiviji nivo. Ako je trava zaista visoka, vozite polako i kosite dvaput ako bude potrebno.
- Kosite u različitim smerovima svaki put da biste izbegli pruge na travnjaku.

Košenje trave bez hvatača trave i zatvarača za usitnjavanje

- Podignite zadnji poklopac i uklonite hvatač trave.
- Ako su postavljeni zatvarač za usitnjavanje i nož za usitnjavanje, uklonite ih.
- Zatvorite zadnji poklopac pre rada proizvodom.

Kad koristite proizvod, pokošena trava se izbacuje ispod zadnjeg poklopca.

Održavanje

Uvod



UPOZORENJE: Pre održavanja, morate pročitati i razumeti poglavlje o bezbednosti.

Za sva servisiranja i popravke proizvoda, potrebna je specijalna obuka. Garantujemo dostupnost stručnih popravki i servisiranja. Ako vaš prodavac nije servisni

agent, obratite mu se za informacije o najbližem servisnom agentu.

Šema održavanja

Intervali održavanja su izračunati na osnovu svakodnevnog korišćenja proizvoda. Intervali se menjaju ako se proizvod ne koristi svakodnevno.

Za održavanja obeležena znakom *, pogledajte uputstva u *Bezbednosna uputstva za rad na stranici 630*.

	Svaka upotreba	Mesečno	Svaka sezona
Izvršite generalni pregled	X		
Očistite proizvod	X		
Proverite inhibitor pokretanja *	X		
Uverite se da bezbednosni uređaji na proizvodu nisu neispravni *	X		
Pregledajte opremu za košenje	X		
Pregledajte poklopac alata za košenje *	X		
Proverite ručicu kočnice motora *	X		
Uverite se da dugme za uključivanje/isključivanje (ON/OFF) ispravno radi i da nije defektno	X		
Pregledajte akumulator u pogledu oštećenja	X		
Proverite punjenje akumulatora	X		
Uverite se da dugmad za otpuštanje na akumulatoru ispravno radi i da akumulator pravilno stoji u proizvodu	X		
Pregledajte punjač akumulatora u pogledu oštećenja i uverite se da ispravno radi.		X	
Pregledajte konektore između akumulatora i proizvoda. Takođe pregledajte konektore između akumulatora i punjača akumulatora.			X

Vršenje opšteg pregleda

- Uverite se da su navrtke i zavrtnji na proizvodu zategnuti.
- Uverite se da kablovi na proizvodu nisu u položaju u kojem se mogu oštetiti.

Čišćenje proizvoda

- Očistite plastične delove čistom i suvom krpom.
- Nemojte čistiti proizvod vodom. Voda može da prođe u akumulator ili motor i izazove kratak spoj ili oštećenje proizvoda.
- Nemojte da koristite čistač pod visokim pritiskom za čišćenje proizvoda.
- Nemojte direktno ispirati motor vodom.

- Uklonite lišće, travu i prljavštinu pomoću četke.

Čišćenje akumulatora i punjača akumulatora



OPREZ: Nemojte čistiti akumulator ili punjač akumulatora vodom.

- Uverite se da su akumulator i punjač akumulatora čisti i suvi pre stavljanja akumulatora na punjač akumulatora.
- Očistite terminale akumulatora komprimovanim vazduhom ili pomoću meke i suve krpe.

- Očistite površine akumulatora i punjača akumulatora pomoću meke i suve krpe.

Pregled opreme za rezanje



UPOZORENJE: Kako biste sprečili slučajno pokretanje, okrenite bezbednosni ključ u položaj 0, uklonite akumulator i sačekajte najmanje 5 sekundi.



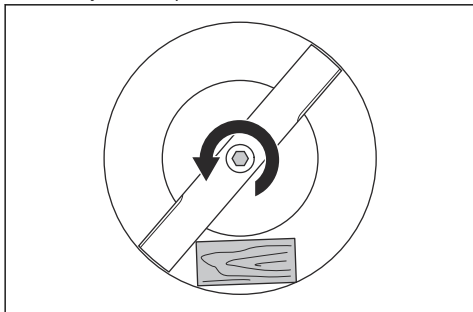
UPOZORENJE: Nosite zaštitne rukavice kada vršite održavanje na opremi za košenje. Sečivo je veoma oštro i lako dolazi do posekotina.

1. Pregledajte opremu za košenje u pogledu oštećenja ili naprslina. Uvek zamenite oštećenu opremu za košenje.
2. Pregledajte sečivo da biste videli je li oštećeno ili tupo.

Napomena: Nakon oštrenja sečiva potrebno ga je balansirati. Neka servisni centar naoštří, zameni i balansira sečivo. Ako udarite o prepreku nakon čega se proizvod zaustavi, zamenite oštećeno sečivo. Neka servisni centar odredi da li sečivo može da se naoštří ili mora da se zameni.

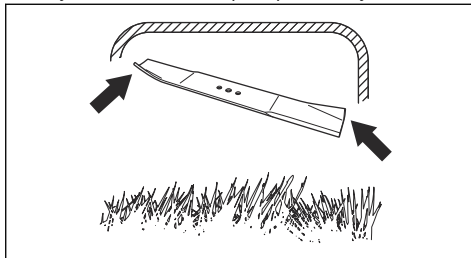
Uklanjanje i zamena sečiva

1. Blokirate sečivo pomoću komada drveta.

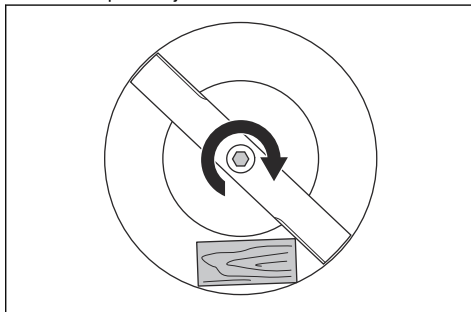


2. Uklonite vijak sečiva.
3. Uklonite sečivo.

4. Pregledajte nosač sečiva i vijak sečiva kako biste videli postoje li oštećenja.
5. Pregledajte osovinu motora kako biste se uverili da nije savijena.
6. Kada postavite novo sečivo, usmerite savijene krajeve sečiva u smeru poklopca košenja.



7. Pobrinite se da je sečivo poravnato sa sredinom osovine motora.
8. Blokirate sečivo pomoću komada drveta. Postavite opružnu podlošku i zategnite vijak i podlošku na moment pritezanja od 23 do 28 Nm.



9. Povucite sečivo rukom da biste proverili da li se slobodno okreće.



UPOZORENJE: Nosite čvrste rukavice. Sečivo je veoma oštro i lako dolazi do posekotina.

10. Pokrenite proizvod kako biste testirali sečivo. Ako sečivo nije ispravno postavljeno, pojavice se vibriranje proizvoda ili rezultat košenja neće biti zadovoljavajući.

Rešavanje problema

Akumulator

LED lampice na akumulatoru	Moguće greške	Mogući postupak
Zelena LED lampica trepće	Napon akumulatora je nizak	Napunite akumulator. Pogledajte <i>Punjenje akumulatora na stranici 638</i> .

LED lampice na akumulatoru	Moguće greške	Mogući postupak
LED lampica greške trepće	Akumulator je slab	Napunite akumulator. Pogledajte <i>Akumulator na stranici 642</i> .
	Temperatura u radnom okruženju je previsoka ili preniska	Koristite akumulator na temperaturama između -10 °C i 40 °C.
	Prenapon	Proverite da li napon mreže odgovara onom koji je naveden na nazivnoj pločici proizvođača. Izvadite akumulator iz punjača akumulatora. Sačekajte 5 sekundi i ponovo pokušajte punjenje akumulatora. Ako problem nastavi da se pojavljuje, obratite se ovlašćenom servisnom agentu.
LED lampica greške je uključena	Razlika između ćelija je prevelika (1 V)	Obratite se ovlašćenom servisnom agentu.

Punjač akumulatora

LED lampice na punjaču akumulatora	Moguće greške	Mogući postupak
LED lampica greške trepće	Temperatura u radnom okruženju je previsoka ili preniska	Koristite punjač akumulatora na temperaturama između 5 °C i 40 °C.
LED lampica greške je uključena		Obratite se ovlašćenom servisnom agentu

Kontrolna tabla

Tastatura	Kód greške (broj treptaja)	Moguće greške	Moguća radnja
LED lampica greške trepće	3	Motor je preopterećen	Povećajte visinu košenja. Pogledajte <i>Podešavanje visine košenja na stranici 637</i> .
	5	Brzina motora prekomerno opada i motor se zaustavlja	
	10	Kontrola motora je prevruća	Zaustavite motor i sačekajte da se ohladi
	2	Sečivo je blokirano	Kako biste sprečili slučajno pokretanje, okrenite bezbednosni klič u položaj 0, uklonite akumulator i sačekajte najmanje 5 sekundi. Uverite se da se sečivo može slobodno okretati. Ako problem nastavi da se pojavljuje, obratite se ovlašćenom servisnom agentu
	9	Greška akumulatora ili nema signala sa akumulatora	Pravilno postavite akumulator u proizvod i pregledajte konektor akumulatora. Ako LED lampica greške na akumulatoru trepće. Pogledajte <i>Akumulator na stranici 637</i> .
Proizvod se zaustavlja	8	Akumulator je slab	Napunite akumulator. Pogledajte <i>Punjenje akumulatora na stranici 638</i> .
	0	Kvar konektora akumulatora	Pregledajte konektor akumulatora

Tastatura	Kód greške (broj treptaja)	Moguće greške	Moguća radnja
Druge greške	Ako se pojave druge greške, okrenite bezbednosni ključ u položaj 0, uklonite akumulator i obratite se ovlašćenom servisnom agentu.		

Transport, skladištenje i odlaganje

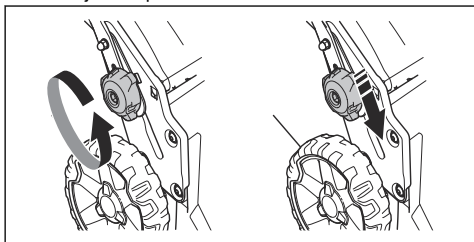
Uvod



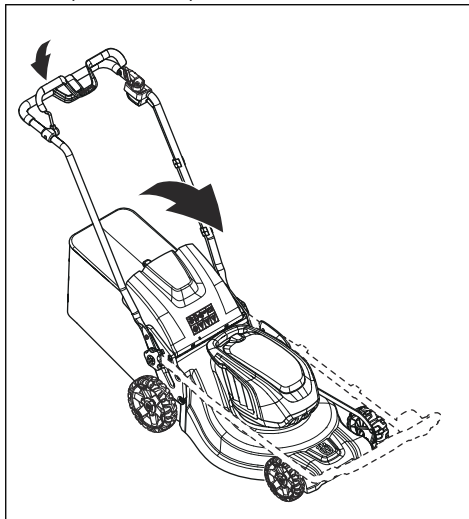
UPOZORENJE: Kako biste sprečili nenamerno pokretanje tokom prenosa, okrenite bezbednosni ključ u položaj „0“, uklonite akumulator i sačekajte najmanje 5 sekundi.

Stavljanje proizvoda u položaj za transport

1. Olabavite donju dugmad.
2. Pomerite dugmad u donji kraj žlebova na levoj i desnoj strani proizvoda.



3. Sklopite ručku unapred.



4. Uklonite hvatač trave.

Transport

- Zahtevi u pogledu transporta opasnih materija primenjuju se na sadržane litijum-jonske akumatore.
- Za komercijalni transport moraju se poštovati posebni zahtevi koji su navedeni na pakovanju i nalepticama.
- Pobrinite se da se pridržavate propisa za transport opasnih materija prilikom pripreme proizvoda za transport. Lokalni propisi se mogu primenjivati.
- Uvek uklonite akumulator pre transporta.
- Stavite traku na konektore akumulatora i uverite se da se akumulator ne može pomerati tokom transporta.
- Fiksirajte proizvod tokom transporta.

Skladištenje

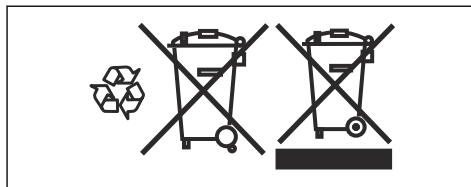
- Uvek uklonite akumulator pre skladištenja.
- Kako bi se sprečili nesrećni slučajevi, uverite se da akumulator nije povezan na proizvod tokom skladištenja.

- Držite punjač akumulatora u zatvorenom i suvom prostoru.
- Držite akumulator i punjač akumulatora u suvom prostoru gde nema vlage ili mraza.
- Iskopčajte akumulator sa punjača akumulatora tokom skladištenja.
- Ne čuvajte akumulator na mestima gde može doći do statičkog pražnjenja. Ne čuvajte akumulator u metalnoj kutiji.
- Čuvajte akumulator na mestu gde je temperatura između 5 °C i 25 °C i van direktne sunčeve svetlosti.
- Čuvajte punjač akumulatora na mestu gde je temperatura između 5 °C i 45 °C i van direktne sunčeve svetlosti.
- Pobrinite se da je akumulator napunjen na 30% - 50% pre skladištenja na duži vremenski period.
- Čuvajte proizvod, akumulator i punjač akumulatora na zaključanom mestu izvan domašaja dece i neovlašćenih osoba.
- Očistite proizvod i izvršite kompletno servisiranje pre nego što uskladištite proizvod na duži vremenski period.

Odlaganje

Simboli na proizvodu ili njegovom pakovanju ukazuju na to da se ovim proizvodom ne može rukovati kao otpadom iz domaćinstva. On se mora odneti u odgovarajući reciklažni pogon za obnavljanje električne i elektronske opreme.

Starajući se da se na odgovarajući način pobrinete za ovaj proizvod, možete da pomognete da se ublaži mogući negativni uticaj na životnu sredinu i ljude, do kojeg bi u suprotnom došlo u slučaju nepravilnog odlaganja ovog proizvoda na otpad. Za detaljnije informacije o recikliranju ovog proizvoda, obratite se vašoj opštini, „Gradskoj čistoći“ ili osoblju u prodavnici u kojoj ste proizvod kupili.



Tehnički podaci

Tehnički podaci

	LC 247iX/LC 247i	LC 347iVX/LC 347iV	LC 353iVX/LC 353iV
Motor košenja			
Tip motora	BLDC (bez četkica) 36 V	BLDC (bez četkica) 36 V	BLDC (bez četkica) 36 V
Brzina motora – SavE, o/min	2600	2600	2600
Brzina motora – nominalna, o/min	3000	3000	3000
Brzina motora – veliko opterećenje, o/min	3500	3500	3500
Izlazna snaga motora – maks. kW	0,96	0,96	1,05
Izlazna snaga motora – nominalna, kW	0,75	0,75	0,9
Pogonski motor			
Izlazna snaga motora – nominalna, kW	Nije dostupno	0,25	0,25
Brzina samostalnog hoda, km/h	Nije dostupno	3,0-4,5	3,0-4,5
Nivoi podešavanja brzine	Nije dostupno	4	4
Težina			
Težina bez akumulatora, kg	24	26	28
Akumulator			
Tip akumulatora	Husqvarna serija akumulatora	Husqvarna serija akumulatora	Husqvarna serija akumulatora
Vreme rada akumulatora			

	LC 247IX/LC 247I	LC 347IVX/LC 347IV	LC 353iVX/LC 353iV
Vreme rada akumulatora, min, (slobodan rad) sa aktiviranom funkcijom SavE, sa jednim Husqvarna 5,2 Ah akumulatorom (BLi200).	43	43	32
Vreme rada akumulatora, min, (slobodan rad) sa aktiviranim standardnim režimom, sa jednim Husqvarna 5,2 Ah akumulatorom (BLi200).	30	30	20
Emisija buke ⁷³			
Nivo zvučne snage, mereno dB (A)	94	94	97
Nivo zvučne snage, garantovano L _{WA} dB (A)	95	95	98
Nivoi zvuka ⁷⁴			
Nivo zvučnog pritiska na uho rukovaoca, dB (A)	82	82	86
Nivoi vibracije ⁷⁵			
Ručka, m/s ²	0,42	0,42	2,64
Oprema za košenje			
Visina košenja, mm	20-75 mm	20-75 mm	20-75 mm
Širina košenja, cm	47	47	53
Sečivo Standard	Collect 5905934-10	Collect 5905934-10	Collect 5940757-10
Oprema za sečivo	Mulch 5907010-10	Mulch 5907010-10	Mulch 5950072-10
Kapacitet hvatača trave, litara	55	55	60

Podaci o radio frekvenciji za Blue-tooth®	LC 247IX	LC 347IVX	LC 353iVX
Opseg frekvencije, GHz	2,4-2,4835	2,4-2,4835	2,4-2,4835
Izlazna snaga, maks. dBm	4	4	4

Odobreni akumulatori	Tip	Kapacitet akumulatora, Ah	Napon, V	Težina, lb/kg
BLi20	Litijum-jonski	4,0	36	2,6/1,2
BLi30	Litijum-jonski	7,7	36	4,2/1,9

⁷³ Emisije buke u životnoj sredini merene kao zvučna snaga (L_{WA}) u skladu sa direktivom 2000/14/EZ.

⁷⁴ Prijavljeni podaci za nivo zvučnog pritiska imaju tipičnu statističku disperziju (standardna devijacija) od 1,2 dB (A).

⁷⁵ Podaci o nivou vibracije imaju tipičnu statističku disperziju (standardnu devijaciju) od 0,2 m/s². Standard za vibracije EN 60335-2-77:2017 odeljak 20.105

Odobreni akumulatori	Tip	Kapacitet akumulatora, Ah	Napon, V	Težina, lb/kg
BLi200	Litijum-jonski	5,2	36	2,8/1,3
BLi300	Litijum-jonski	9,4	36	4,1/1,9

Odobreni punjači za navedene akumulatore, BLi	Ulazni napon, V	Frekvencija, Hz	Snaga, W
QC80	100–240	50–60	80
QC80F	12	0	80
QC250	100–240	50–60	250
QC330	100–240	50–60	330
QC500	100–240	50–60	500

EZ deklaracija o usaglašenosti

EZ deklaracija o usaglašenosti

Husqvarna AB, SE-561 82 Huskvarna, Švedska, tel: +46-36-146500, izjavljuje da je **kosačica Husqvarna LC 247I, LC 247IX, LC 347IV, LC 347IVX, LC 353IV, LC 353IVX** od godine 2018 i nadalje, usaglašena sa zahtevima DIREKTIVE VEĆA:

- od 8. juna 2011, o „ograničenju upotrebe određenih opasnih supstanci“ **2011/65/EU**
- od 17. maja 2006. „u vezi sa mašinerijom“ **2006/42/EZ**
- od 8. maja 2000, „koja se odnosi na emisije buke u okruženju“ **2000/14/EZ**

Za informacije o emisiji buke pogledajte *Tehnički podaci na stranici 645*.

Primenjeni su sledeći standardi:

EN/IEC 60335-1, EN/IEC 60335-2-77, EN/IEC 62233, EN 55014-1, EN ETSI 301 489-7 v1.3.1, EN 61000-6,

ETSI EN 61000-6-1, EN 300 328 BT low energy Tx/Rx, EN 50581

Ako nije drugačije navedeno, gore navedeni standardi su najnovije objavljene verzije.

Ovlašćeno telo: **0404, RISE SMP Svensk Maskinprovning AB, Box 7035, SE-750 07 Uppsala** je obavilo ocenjivanje usaglašenosti u skladu sa Aneksom VI direktive 2000/14/EC.

Huskvarna, 2020-04-22



Claes Losdal, menadžer razvoja/baštenski proizvodi (ovlašćeni predstavnik kompanije Husqvarna AB i odgovorna osoba za tehničku dokumentaciju)

Registrovani žigovi

Bluetooth® oznaka reči i logotipi su registrovani žigovi u vlasništvu kompanije *Bluetooth SIG, inc.* i svaka njihova upotreba od strane kompanije Husqvarna je pod licencom.

Innehåll

Introduktion.....	649	Felsökning.....	667
Säkerhet.....	652	Transport, förvaring och kassering.....	669
Montering.....	660	Tekniska data.....	670
Drift.....	661	EG-försäkran om överensstämmelse.....	672
Underhåll.....	665	Registrerade varumärken.....	672

Introduktion

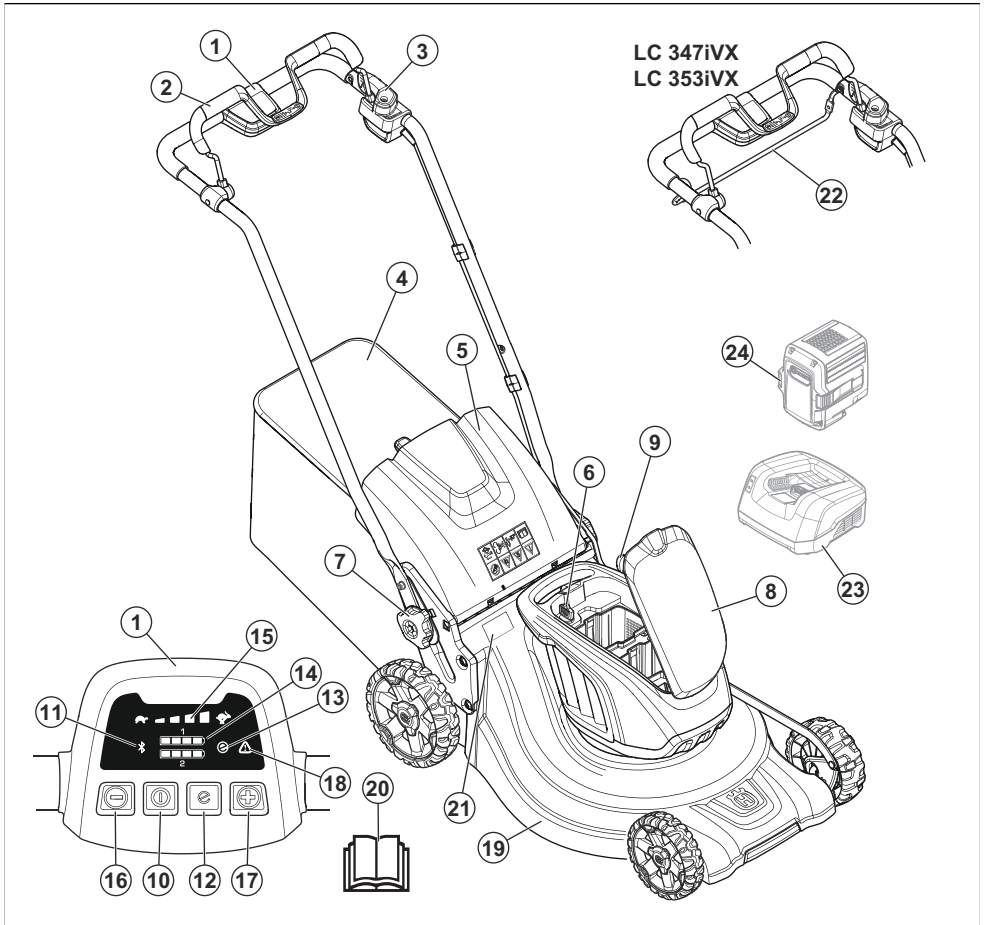
Produktbeskrivning

Produkten är en rotorgräsklippare som styrs av en gående person. Gräset samlas i en gräsuppsamlare. Du kan ta bort gräsuppsamlaren om du vill att gräset ska komma ut mitt bak. Anslut ett mulchingkit (tillbehör) för att finfördela gräset till gödning.

Avsedd användning

Använd produkten för att klippa gräs. Använd inte produkten till andra uppgifter.

Produktöversikt



1. Reglagepanel
2. Motorbromsbygel
3. Startspärr
4. Gräsuppsamlare
5. Bakre kåpa
6. Säkerhetsnyckel
7. Handtag
8. Batterilucka
9. Klipphöjdsreglage
10. Knappen PÅ/AV
11. Indikator för trådlös Bluetooth®-teknik
12. Knappen SavE
13. SavE-indikator
14. Batteriindikator

15. Hastighetsnivåindikator (LC 347iV, LC 347iVX, LC 353iV, LC 353iVX)
16. Knappen sänka hastighet (LC 347iV, LC 347iVX, LC 353iV, LC 353iVX)
17. Knappen öka hastighet (LC 347iV, LC 347iVX, LC 353iV, LC 353iVX)
18. Lysdiod för fel
19. Klippkåpa
20. Bruksanvisning
21. Typskylt
22. Drivbygel (LC 347iV, LC 347iVX, LC 353iV, LC 353iVX)
23. Batteriladdare (tillbehör)
24. Batteri (tillbehör)

Symboler på produkten



WARNING! Var försiktig och använd produkten på rätt sätt. Den här produkten kan orsaka allvarlig eller livshotande skada för användaren och andra.



Läs igenom bruksanvisningen noggrant och se till att du förstår instruktionerna innan användning.



Håll alltid människor och djur på säkert avstånd från arbetsområdet.



Akta dig för utslungade föremål och rikoschetter.



Varning! Håll händer och fötter borta från den roterande kniven.



Varning! Håll händer och fötter borta från roterande delar.



Ta ur tändningsnyckeln före reparationer eller underhåll.



Utsätt inte för regn.



Produkten eller dess förpackning är inte hushållsavfall. Återvinn den vid en återvinningsstation för elektrisk och elektronisk utrustning.



Produkten överensstämmer med gällande EG-direktiv.



Produkten överensstämmer med gällande direktiv från Eurasiska tullunionen.



Produkten överensstämmer med gällande UkrSEPRO-direktiv.



Produkten överensstämmer med gällande RCM-direktiv. Gäller endast för AU/NZ



Emission av buller i miljön enligt EU-direktiv 2000/14/EG och New South Wales "Protection of the Environment Operations (Noise Control) Regulation 2017". Information om bulleremission finns på maskinens etikett och i avsnittet Tekniska data.

IPX1 Produkten har droppskydd.

Startprocedur: Tryck på knappen PÅ/AV, lyft på startspärren och tryck ned motorbromsbygeln.



Stoppa genom att släppa motorbromsbygeln.



Långsamt



Snabb



Kod som kan skannas

Notera: Övriga symboler/etiketter på produkten avser specifika krav för certifieringar på vissa marknader.

Märkning på produkten



Håll händer och fötter borta från de roterande knivarna.

Produktansvar

Enligt lagstiftningen för produktansvar ansvarar vi inte för skador som vår produkt orsakar om:

- produkten repareras felaktigt
- produkten repareras med delar som inte kommer från tillverkaren eller inte har godkänts av tillverkaren
- produkten har ett tillbehör som inte kommer från tillverkaren eller inte har godkänts av tillverkaren
- produkten inte repareras vid ett godkänt servicecenter eller av en godkänd person.

Säkerhet

Säkerhetsdefinitioner

Varningar, försiktighetsåtgärder och anmärkningar används för

att betona speciellt viktiga delar i bruksanvisningen.



WARNING: Används om det finns risk för skador

eller dödsfall för föraren eller kringstående om anvisningarna i bruksanvisningen inte följs.



OBSERVERA: Används om det finns risk för skada på produkten, annat material eller det angränsande området om anvisningarna i bruksanvisningen inte följs.

Notera: Används för att ge mer information som är nödvändig i en viss situation.

Allmänna säkerhetsanvisningar



VARNING: Läs varningsinstruktionerna nedan innan du använder produkten.

- Denna produkt är farlig om den används på fel sätt, och om du inte är försiktig. Skada eller dödsfall kan inträffa om du inte följer säkerhetsinstruktionerna.
- Denna produkt alstrar ett elektromagnetiskt fält under drift. Detta fält kan under vissa

omständigheter ge påverkan på aktiva eller passiva medicinska implantat. För att reducera risken för omständigheter som kan leda till allvarliga eller livshotande skador rekommenderar vi därför personer med implantat att rådgöra med läkare samt tillverkaren av det medicinska implantatet innan denna produkt används.

- Var alltid försiktig och använd sunt förnuft. Om du inte vet hur du ska använda produkten i en särskild situation ska du stanna den och tala med en Husqvarna-återförsäljare innan du fortsätter.
- Tänk på att användaren kommer att hållas ansvarig för olyckor som involverar andra människor eller deras egendom.
- Håll produkten ren. Se till att du kan läsa skyltar och dekaler tydligt.
- Låt aldrig barn eller personer som inte känner till de här instruktionerna använda produkten. Det kan finnas en åldersgräns för användning enligt lokala föreskrifter.
- Övervaka alltid en person med nedsatt fysisk eller mental kapacitet som använder

produkten. En vuxen person måste vara närvarande hela tiden.

- Använd aldrig produkten om du är trött, sjuk eller om du är påverkad av alkohol, droger eller läkemedel. Detta har en negativ inverkan på din syn, ditt omdöme och din kroppskontroll.
- Använd inte produkten om den är trasig.
- Modifiera aldrig den här produkten och använd den inte om det är möjligt att den har blivit modifierad av andra.

Säkerhet i arbetsområdet



WARNING: Läs varningsinstruktionerna nedan innan du använder produkten.

- Ta bort föremål som grenar, kvistar och stenar från arbetsområdet innan du använder produkten.
- Objekt som slår mot skärutrustningen kan slungas ut och orsaka skador på personer och föremål. Håll alltid människor och djur på säkert avstånd från produkten.
- Använd aldrig produkten i dåligt väder, som dimma, regn, hård vind, extrem kyla

och risk för blixtnedslag. Det är ansträngande att använda produkten i dåligt väder eller på fuktiga eller våta platser. Dåligt väder kan leda till farliga förhållanden, t.ex. hala ytor.

- Håll utkik efter personer, föremål och situationer som kan förhindra säker användning av produkten.
- Håll utkik efter hinder, som rötter, stenar, grenar, gropar och diken. Långt gräs kan dölja hinder.
- Det kan vara farligt att klippa gräs i sluttningar. Klipp inte alltför branta sluttningar. Använd inte produkten i terräng som lutar mer än 15°.
- Var mycket försiktig när du ändrar riktning i sluttningar. Klipp tvärs över sluttningar. Inte upp och ned.
- Var uppmärksam när du närmar dig dolda hörn och föremål som skymmer sikten.

Arbetssäkerhet



WARNING: Läs varningsinstruktionerna nedan innan du använder produkten.

- Använd enbart den här produkten för att klippa gräsmattor. Det är inte tillåtet

att använda den för andra uppgifter.

- Använd personlig skyddsutrustning. Se *Personlig skyddsutrustning på sida 656*.
- Se till att du vet hur man snabbt stoppar motorn i en nödsituation.
- Använd inte produkten i regn eller vid blöta förhållanden. Risken för elektriska stötar ökar om vatten kommer in i produkten.
- Använd inte produkten utan att kniven och alla kåpor är korrekt monterade. En felaktigt monterad kniv kan lossna och orsaka personskador.
- Se till att kniven inte slår emot föremål som stenar och rötter. Detta kan göra att kniven skadas och böja motoraxeln. En böjd axel orsakar kraftiga vibrationer och risken för att kniven lossnar blir mycket hög.
- Om kniven träffar ett föremål eller om det uppstår vibrationer ska du omedelbart stanna produkten. Stäng av motorn, vrid säkerhetsnyckeln till 0 och ta ur batteriet. Kontrollera om det finns några skador på produkten. Reparera skadorna eller låt en

behörig serviceverkstad utföra reparationen.

- Fäst aldrig motorbromsbygeln permanent på handtaget när motorn är igång.
- Ställ produkten på ett stabilt plant underlag och starta den. Se till att kniven inte vidrör marken eller andra föremål.
- Håll dig alltid bakom produkten när du använder den.
- Låt alla hjul stå på marken och håll båda händerna på handtaget när du använder produkten. Håll händer och fötter borta från de roterande knivarna.
- Luta inte produkten när motorn är igång.
- Var försiktig när du drar produkten bakåt.
- Lyft aldrig upp produkten när motorn är igång. Om du måste lyfta upp produkten stänger du av motorn, vrid säkerhetsnyckeln till 0 och tar loss batteriet.
- Gå inte baklänges när du använder produkten.
- Stäng av motorn när du rör dig över områden utan gräs, t.ex. gångar av grus, sten och asfalt.
- Spring inte med produkten när motorn är igång. Gå alltid när du använder produkten.

- Stäng av motorn innan du ändrar klipphöjden. Gör aldrig justeringar med motorn igång.
- Lämna aldrig produkten utanför ditt synfält med motorn igång. Stäng av motorn och se till att skärutrustningen inte roterar.

Säkerhetsinstruktioner för drift

Personlig skyddsutrustning



WARNING: Läs varningsinstruktionerna nedan innan du använder produkten.

- Personlig skyddsutrustning kan inte eliminera skaderisken helt, men den reducerar effekten av en skada vid ett eventuellt olyckstillbud. Be din återförsäljare om hjälp med att välja rätt utrustning.
- Använd kraftiga hals säkra kängor eller skor. Använd inte öppna skor och var inte barfota.
- Använd tjockare långbyxor.
- Använd skyddshandskar vid behov, till exempel när du ansluter, undersöker eller rengör skärutrustningen.

Säkerhetsanordningar på produkten



WARNING: Läs varningsinstruktionerna nedan innan du använder produkten.

- Använd inte en produkt med defekta säkerhetsanordningar.
- Kontrollera säkerhetsanordningarna regelbundet. Om säkerhetsanordningarna är defekta ska du prata med din Husqvarna serviceverkstad.

Kontrollera klippkåpan

Klippkåpan dämpar vibrationerna och minskar risken för skador orsakade av kniven.

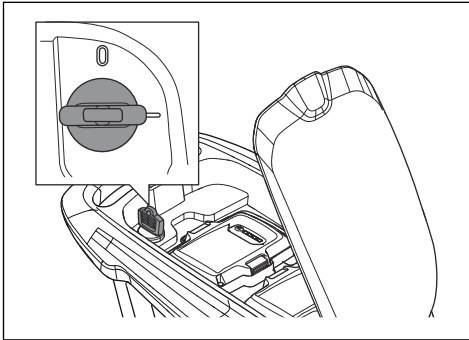
- Undersök klippkåpan för att se till att där inte finns några skador, t.ex. sprickor.

Säkerhetsnyckel

Säkerhetsnyckeln finns under batteriluckan. Säkerhetsnyckeln kopplar in batteriet som matar motorn med ström.

- Starta och stäng av motorn för att kontrollera säkerhetsnyckeln.

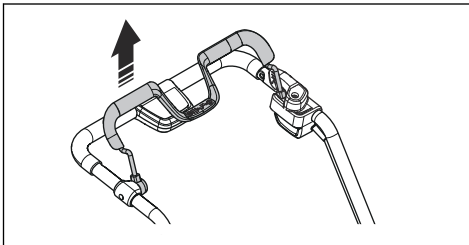
- Om säkerhetsnyckeln fungerar korrekt startar motorn endast när nyckeln är i position 1.



Motorbromsbygel

Motorbromsbygeln stänger av motorn. När motorbromsbygeln släpps stannar motorn.

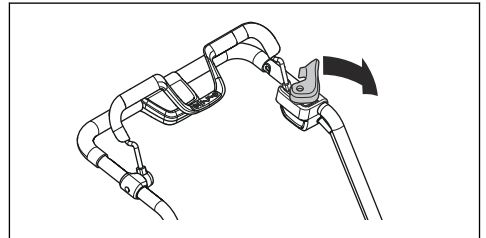
För att inspektera motorbromsen ska du starta motorn och sedan släppa motorbromsbygeln. Om motorn inte stannar inom tre sekunder ska du låta en godkänd Husqvarna-serviceverkstad justera motorbromsen.



Undersöka startspärren

Gör en kontroll av startspärren för att se till att den hindrar drift av motorn.

1. Tryck motorbromsbygeln i handtagets riktning. Startspärren stoppar rörelsen.
2. Tryck ut startspärren.



3. Lossa startspärren och se till att den går tillbaka till ursprungsläget.

Batterisäkerhet



WARNING: Läs varningsinstruktionerna nedan innan du använder produkten.

- Använd endast laddningsbara batterier från Husqvarna som strömkälla för relaterade Husqvarna-produkter. På grund av risken för skador ska du inte använda batteriet som strömkälla för andra enheter.
- Använd inte batterier som inte är laddningsbara.

- Risk för elektrisk stöt. Anslut inte batteripolerna till nycklar, mynt, skruvar eller andra metallföremål. Det kan orsaka kortslutning i batteriet.
- Placera inte föremål i luftspringorna på batteriet.
- Håll batteriet borta från direkt solljus, värme och öppen eld. Batteriet kan explodera och orsaka brännskador och/eller kemiska brännskador.
- Håll batteriet borta från regn och fuktiga förhållanden.
- Håll batteriet borta från mikrovågor och högt tryck.
- Försök inte ta isär eller krossa batteriet.
- Om batteriet läcker ska du inte låta vätskan komma i kontakt med huden eller ögonen. Om du har rört vid vätskan ska du rengöra området med stora mängder vatten och kontakta läkare.
- Använd batteriet vid temperaturer mellan $-10\text{ }^{\circ}\text{C}$ och $40\text{ }^{\circ}\text{C}$.
- Rengör inte batteriet eller batteriladdaren med vatten. Se *Rengöra batteriet och batteriladdaren på sida 666*.
- Använd inte ett defekt eller skadat batteri.
- Håll batterier som förvaras borta från metallföremål,

exempelvis spikar, mynt och smycken.

Säkerhet, batteriladdare



VARNING: Läs varningsinstruktionerna nedan innan du använder produkten.

- Använd endast QC-batteriladdare för att ladda utbytesbatterier från Husqvarna.
- Risk för elektrisk stöt eller kortslutning. Placera inte föremål i luftspringorna på laddaren. Försök inte plocka isär batteriladdaren. Anslut inte laddarens kontakter till metallföremål. Använd ett godkänt eluttag.
- Denna produkt alstrar ett elektromagnetiskt fält under drift. Detta fält kan under vissa omständigheter ge påverkan på aktiva eller passiva medicinska implantat. För att reducera risken för omständigheter som kan leda till allvarliga eller livshotande skador rekommenderar vi därför personer med implantat att rådgöra med läkare samt tillverkaren av det medicinska implantatet innan denna maskin används.

- Kontrollera regelbundet att nätsladden till batteriladdaren är oskadad och att inga sprickor finns.
- Lyft inte batteriladdaren i nätsladden. Koppla bort batteriladdaren från eluttaget genom att dra i kontakten. Dra inte i nätsladden.
- Håll nätsladd och skarvsladd borta från vatten, olja och skarpa kanter. Var uppmärksam så att inte kabeln kläms i dörrar, stängsel eller liknande. Det kan annars medföra att laddaren blir strömförande.
- Rengör inte batteriladdaren med vatten.
- Batteriladdaren kan användas av barn från 8 år och uppåt och personer med olika funktionshinder eller bristande erfarenhet och kunskap om de hålls under uppsikt eller får instruktioner om säker användning av batteriladdaren och förstår de risker användandet medför. Barn får inte leka med batteriladdaren. Rengöring och underhåll får inte utföras av barn utan tillsyn.
- Ladda aldrig batterier som inte är laddningsbara i batteriladdaren.
- Använd inte batteriladdaren nära brandfarliga material eller material som kan orsaka korrosion. Täck inte över batteriladdaren. Dra ut stickkontakten till batteriladdaren vid rökutveckling eller brand.
- Använd aldrig defekta eller skadade batteriladdare.
- Ladda endast batteriet inomhus där den inte utsätts för solljus och i ett rum med bra luftflöde. Ladda inte batteriet vid fuktiga förhållanden.

Säkerhetsinstruktioner för underhåll



WARNING: Läs varningsinstruktionerna nedan innan du använder produkten.

- För att förhindra oavsiktlig start vid underhåll ska du vrida säkerhetsnyckeln till 0 och ta bort batteriet. Vänta i minst fem sekunder innan du påbörjar underhåll.
- Utför underhållsarbete på rätt sätt för att öka produktens livslängd och minska risken för olyckor. Låt en godkänd serviceverkstad utföra fackmannamässig reparation.

Tala med din närmaste serviceverkstad för mer information.

- Utför endast det underhållsarbete som anges i den här bruksanvisningen. Mer omfattande arbete ska utföras av en godkänd serviceverkstad.
- Använd kraftiga arbetshandskar när du använder skärutrustningen. Kniven är mycket vass och skärsador uppstår lätt.
- Håll den skärande delen skarp och ren för bästa och säkraste prestanda.
- Låt din serviceverkstad regelbundet kontrollera

produkten och göra nödvändiga inställningar och reparationer.

- Byt ut skadade, slitna och trasiga delar.
- Följ instruktionerna för byte av tillbehör. Använd endast tillbehör från tillverkaren.
- När den inte används ska du hålla produkten, batteriet och batteriladdaren ifrån varandra på ett torrt och låst utrymme inomhus. Se till att barn och personer som inte är godkända inte kan få tillgång till produkten, batteriet eller batteriladdaren.

Montering

Introduktion



VARNING: Innan du monterar produkten ska du läsa säkerhetskapitlet.

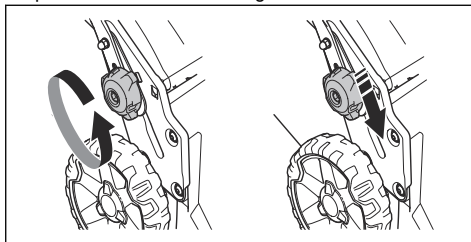


VARNING: Förhindra oavsiktlig start vid montering genom att vrida säkerhetsnyckeln till 0, ta bort batteriet och vänta minst fem sekunder.

Justera handtaget

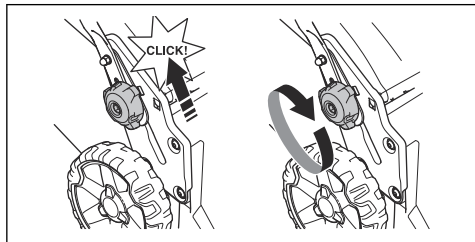
1. Lossa de nedre vreden.

2. Flytta vreden till den nedre delen av spåren på produktens vänstra och högra sida.



3. Ställ in handtagshöjden till ett av två tillgängliga lägen.

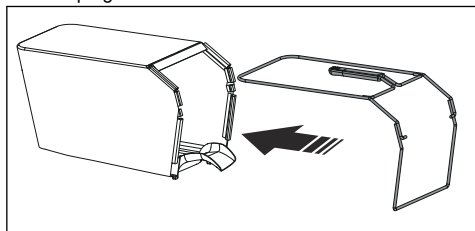
4. Skjut vreden uppåt mot handtaget tills det tar stopp och du hör ett klick.



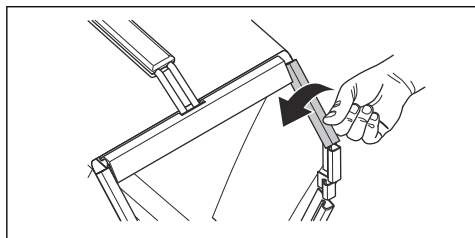
5. Dra åt vreden helt.

Montera gräsupsamlaren

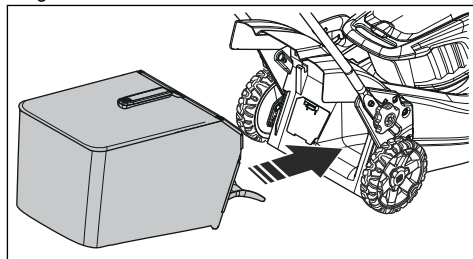
1. Fäst gräsupsamlarens ram i gräsbehållaren, med behållarens stela del nedåt. Håll ramens handtag ovanpå gräsbehållaren.



2. Sätt fast den nedre delen av gräsupsamlarens ram i spåret på undersidan av gräsupsamlaren.
3. Fäst gräsbehållaren på gräsupsamlarens ram med klämmorna.

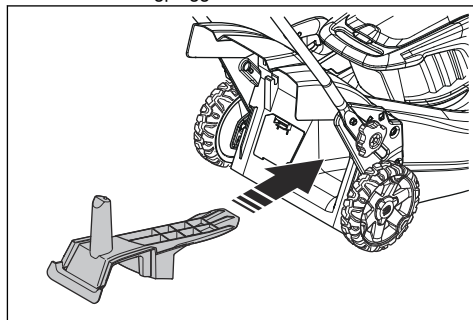


4. Lyft den bakre kåpan.
5. Fäst gräsupsamlaren i den övre kanten på chassit.
6. Sätt den nedre delen av gräsupsamlaren i gräsutkastkanalen.



Montera mulchingpluggen (tillbehör)

1. Lyft upp den bakre kåpan och ta loss gräsupsamlaren.
2. Förl in mulchingpluggen i utkastkanalen.



3. Byt ut kniven mot mulchingkniven som tillhandahålls i mulchingsatsen. Se *Ta bort och byta ut kniven på sida 667*.

Drift

Introduktion



WARNING: Innan du använder produkten måste du läsa igenom och förstå kapitlet om säkerhet.

Husqvarna Connect

Husqvarna Connect är en kostnadsfri app för mobila enheter. Husqvarna Connect-appen utökar funktionerna för Husqvarna-produkten:

- Mer produktinformation.

- Information om, och hjälp med, produktdelar och service.

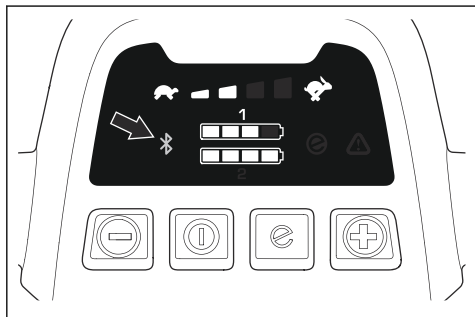
Börja använda Husqvarna Connect

1. Hämta Husqvarna Connect-appen på din mobila enhet.
2. Utför registreringen i Husqvarna Connect-appen.
3. Följ instruktionerna i Husqvarna Connect-appen för att ansluta och registrera produkten.

Bluetooth® information (LC 247iX, LC 347iVX, LC 353iVX)

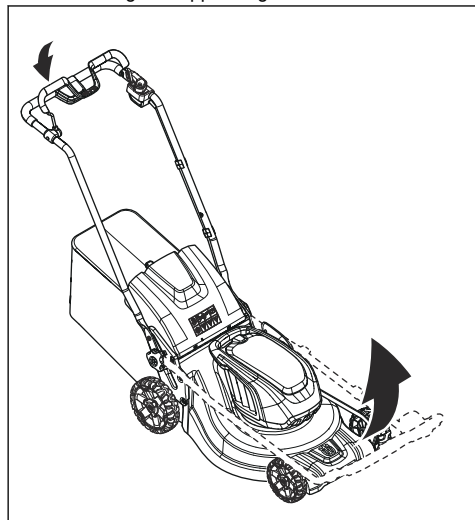
Trådlös Bluetooth®-teknik

Symbolen för trådlös *Bluetooth*®-teknik visas när din mobila enhet är ansluten till produkten.

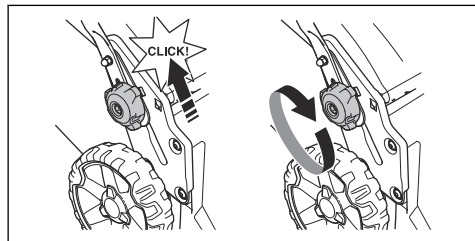


Ställa in produkten i arbetsläge

1. Vik handtaget till upprätt läge.



2. Skjut vreden uppåt mot handtaget tills det tar stopp och du hör ett klick.

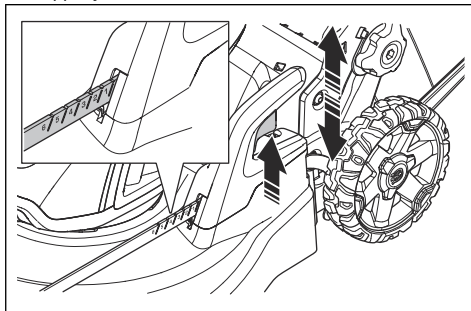


3. Dra åt vreden helt.

Ställa in klipphöjden

Klipphöjden kan justeras i sex nivåer.

1. Flytta klipphöjdsspaken nedåt för att sänka klipphöjden.
2. Flytta klipphöjdsspaken uppåt för att höja klipphöjden.



OBSERVERA: Ställ inte in för låg klipphöjd. Knivarna kan träffa marken om gräsmattans yta inte är plan.

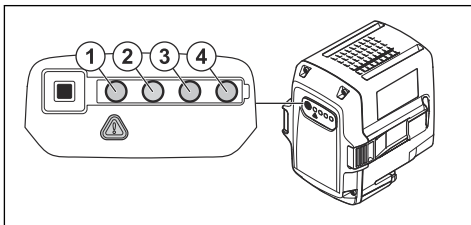
Batteri



WARNING: Innan du använder batteriet måste du läsa igenom och förstå kapitlet om säkerhet. Du måste också läsa igenom och förstå den bruksanvisning som medföljer batteriet och batteriladdaren.

Batteristatus

Displayen visar den återstående batterikapaciteten och om det föreligger problem med batteriet. Batterikapaciteten visas i fem sekunder efter att produkten har stängts av eller batteriindikatornappen har tryckts in. Varningsymbolen på batteriet tänds när ett fel har inträffat. Se *Batteri* på sida 667.



Lysdioder	Batteristatus
Alla lysdioder är tända	Fulladdat (75–100 %)

Lysdioder	Batteristatus
Lysdiod 1, 2 och 3 lyser	Batteriet är 50–75 % laddat
Lysdiod 1 och 2 lyser	Batteriet är 25–50 % laddat
Lysdiod 1 lyser	Batteriet är 0–25 % laddat.
Lysdiod 1 blinkar	Batteriet är tomt. Ladda batteriet.

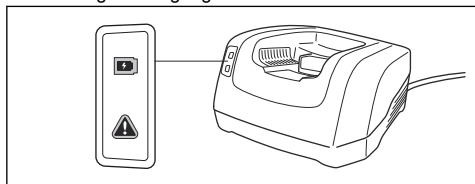
Ladda batteriet

Ladda batteriet före första användning. Batteriet är endast 30 % laddat när det levereras till kunden.

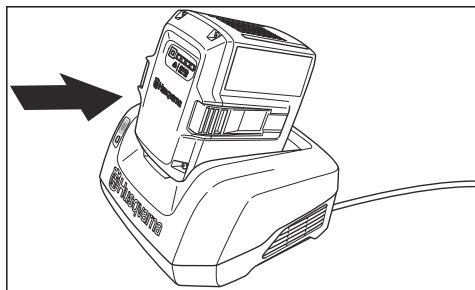
Notera: Batteriladdaren måste vara kopplad till den spänning och frekvens som anges på typskylten.

Batteriet laddas inte om batteritemperaturen är över 50 °C. Batteriladdaren sänker batteriets temperatur innan den börjar ladda.

1. Anslut den ena änden av batteriladdarens nätsladd till batteriladdarens uttag.
2. Anslut den andra änden av batteriladdarens nätsladd till ett jordat eluttag. Lysdioden på batteriladdaren blinkar grönt en gång.



3. Sätt i batteriet i batteriladdaren. Den gröna lampan på laddaren tänds när batteriet är korrekt anslutet till laddaren.



4. När alla lysdioder på batteriet lyser är batteriet fulladdat. Ladda batteriet i högst 24 timmar.
5. Koppla bort batteriladdaren ur vägguttaget genom att dra i kontakten, inte i nätsladden.
6. Ta ut batteriet ur batteriladdaren.

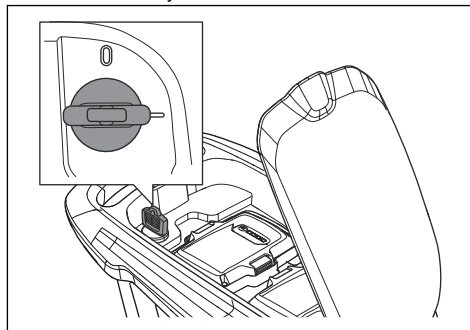
Batteriladdningsstatus

Ett litiumjonbatteri från Husqvarna kan laddas eller användas vid alla laddningsnivåer. Batteriet inte är skadat. Ett fulladdat batteri laddas inte ur även om batteriet sitter kvar i laddaren.

LED-display	Laddningsstatus
Lysdiod 1 blinkar	0–25 %
Lysdiod 1 lyser, 2 blinkar	25–50%
Lysdioderna 1 och 2 lyser, 3 blinkar	50–75 %
Lysdioderna 1, 2 och 3 lyser, 4 blinkar	75–100%
Lysdioderna 1, 2, 3 och 4 lyser	Fulladdat

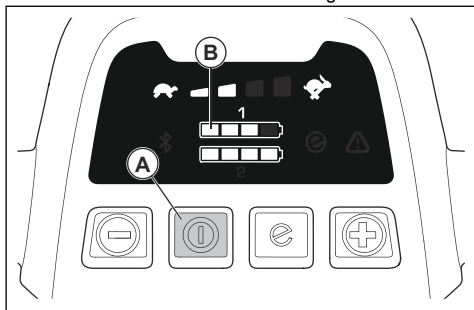
Starta produkten

1. Öppna batteriluckan.
2. Sätt i ett laddat batteri i ett av batterifacken. För längre drifttid sätter du ett andra laddat batteri i det andra batterifacket.
3. Vrid säkerhetsnyckeln till 1.

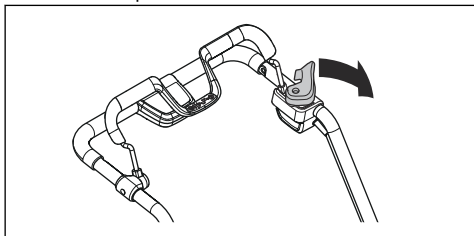


4. Stå bakom produkten.

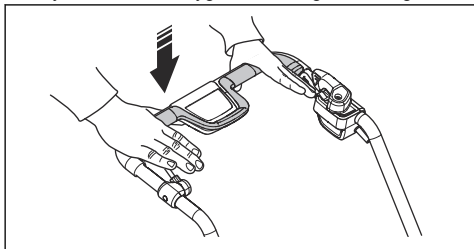
5. Tryck på PÅ/AV-knappen (A) på reglagepanelen. Displayen tänds. Batteriindikatorn (B) visar batteriernas laddningsnivå. Numret på det batteri som används visas intill batteriindikatorn. För modellerna LC 347iV, LC 347iVX, LC 353iV, LC 353iVX visas även inställd hastighet.



6. Lossa startspärren.

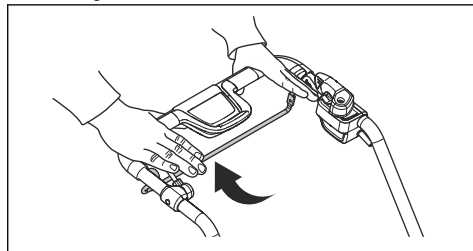


7. Tryck motorbromsbygeln i handtagets riktning.

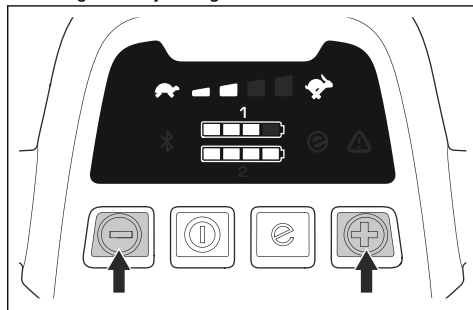


Använda drivningen på hjulen (LC 347iV, LC 347iVX, LC 353iV, LC 353iVX)

- Dra drivbygeln i handtagets riktning för att starta drivningen.



- Tryck på + och - på reglagepanelen för att ange hastigheten i fyra steg.

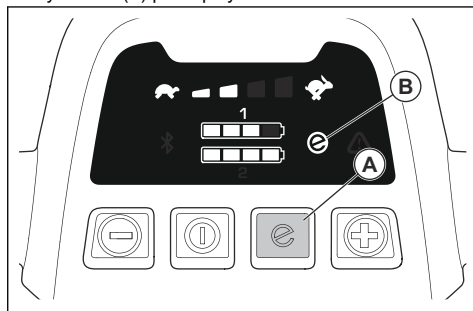


- Släpp drivbygeln för att koppla ur drivningen, t.ex. när du går nära ett hinder.

Använda -funktionen

Produkten har en batterisparfunktion (e) som ger längre drifttid.

1. Tryck på -knappen (A) för att starta funktionen. - symbolen (B) på displayen tänds.
2. Tryck på -knappen igen för att stoppa funktionen. - symbolen (B) på displayen släcks.



-funktionen stängs automatiskt av om markförhållandena kräver högre effekt. -funktionen startas automatiskt igen när markförhållandena tillåter.

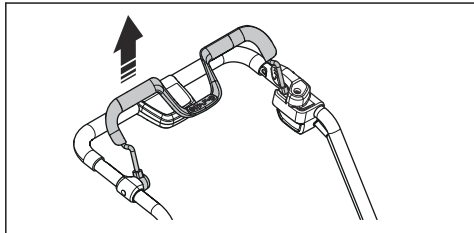
Funktion för hög belastning

När produkten klipper högt eller vått gräs ökar motorn automatiskt varvtalet. Motorn återgår till standardläge när hög belastning inte längre behövs.

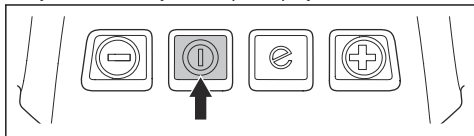
Stänga av produkten

Produkten stängs av automatiskt om du inte använder den på tio minuter. Vrid alltid säkerhetsnyckeln till 0 innan du lämnar produkten utom synhåll.

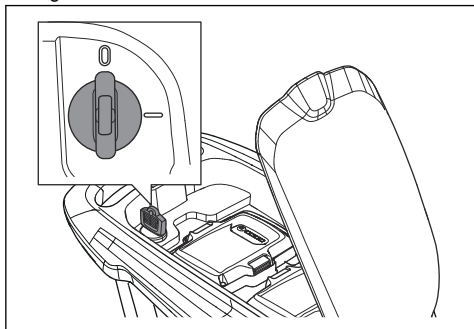
1. Släpp motorbromsbygeln för att stänga av motorn.



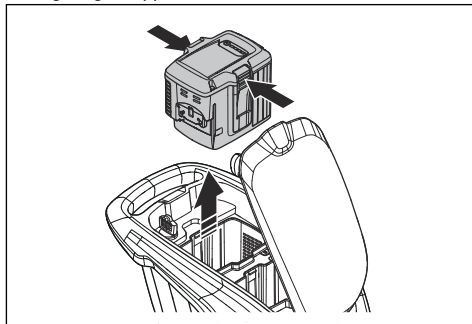
2. Tryck på PÅ/AV-knappen på reglagepanelen. Alla lysdioder och symboler på displayen släcks.



3. Öppna batteriluckan och vrid säkerhetsnyckeln till läget 0.



4. För att ta bort batteriet trycker du på de två frigöringsknapparna och drar ut batteriet.



5. Ladda batteriet om det är svagt. Mer information finns här: *Ladda batteriet på sida 663.*

Få ett bra resultat

- Använd alltid en vass kniv. En slö kniv ger ett ojämnt resultat och gräsets snittyta blir gul. En vass kniv förbrukar mindre energi än en slö kniv.
- Klipp inte mer än en tredjedel av gräsets längd. Klipp först med hög klipp höjd. Undersök resultatet och sänk klipp höjden till en lämplig nivå. Om gräset är väldigt långt kan du köra sakta och klippa två gånger vid behov.
- Klipp i olika riktningar varje gång för att undvika ränder i gräsmattan.

Klippa gräset utan en gräsuppsamlare eller mulchingplugg monterad

- Lyft upp den bakre kåpan och ta loss gräsuppsamlaren.
- Om en mulchingplugg och en mulchingkniv är monterade tar du bort dem.
- Stäng den bakre kåpan innan du använder produkten.

När du använder produkten kastas gräsklippen ut under den bakre kåpan.

Underhåll

Introduktion



WARNING: Innan du utför underhåll måste du läsa och förstå kapitlet om säkerhet.

För allt service- och reparationsarbete på produkten krävs särskild utbildning. Vi garanterar att du kan få en fackmannamässig reparation och service utförd. Om din återförsäljare inte är en serviceverkstad kan du tala med dem för information om närmaste serviceverkstad.

Underhållsschema

Underhållsintervallen beräknas utifrån daglig användning av produkten. Intervallen ändras om produkten inte används dagligen.

För underhåll som markeras med * ska du se anvisningarna i *Säkerhetsinstruktioner för drift på sida 656*.

	Varje användning	Varje månad	Varje säsong
Utför en allmän inspektion	X		
Rengör produkten	X		
Kontrollera startspärren*	X		
Kontrollera att produktens säkerhetsanordningar inte är defekta*	X		
Kontrollera skärutrustningen	X		
Kontrollera klippkåpan*	X		
Kontrollera motorbromsbygeln*	X		
Se till att PÅ/AV-knappen fungerar som den ska och inte är defekt	X		
Undersök om det finns några skador på batteriet	X		
Kontrollera batteriladdningen	X		
Se till att frigöringsknapparna på batteriet fungerar och låser fast batteriet i produkten	X		
Undersök om batteriladdaren har skador och se till att den fungerar som den ska.		X	
Undersök anslutningarna mellan batteriet och produkten. Undersök även anslutningen mellan batteriet och batteriladdaren.			X

Allmän inspektion

- Se till att skruvar och muttrar på produkten är åtdragna.
- Se till att produktens kablar inte är i ett läge där de kan skadas.

Rengöra produkten

- Rengör plastdelar med en ren och torr trasa.
- Använd inte vatten för att rengöra produkten. Vatten kan tränga in i batteriet eller motorn och orsaka kortslutning eller skada på produkten.
- Undvik att använda högtryckstvätt när du rengör maskinen.
- Spola inte vatten direkt på motorn.
- Använd en borste för att ta bort löv, gräs och smuts.

Rengöra batteriet och batteriladdaren



OBSERVERA: Rengör inte batteriet eller batteriladdaren med vatten.

- Se till att batteriet och batteriladdaren är rena och torra innan du sätter i batteriet i batteriladdaren.

- Rengör batteripolerna med tryckluft eller med en mjuk, torr trasa.
- Rengör ytorna på batteriet och batteriladdaren med en mjuk, torr trasa.

Kontrollera skärutrustningen



VARNING: Förhindra oavsiktlig start genom att vrida säkerhetsnyckeln till 0, ta bort batteriet och vänta minst fem sekunder.



VARNING: Använd skyddshandskar när du utför underhåll på skärutrustningen. Kniven är mycket vass och skärskador uppstår lätt.

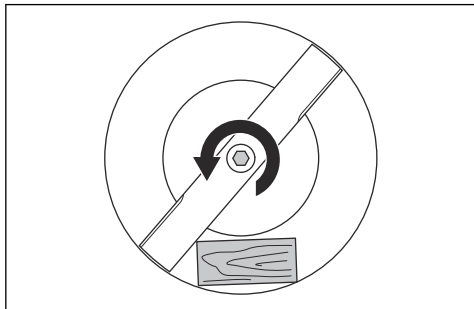
1. Kontrollera så att skärutrustningen inte är skadad eller har sprickor. Byt alltid ut skadad skärutrustning.
2. Titta på kniven för att se om den är skadad eller slö.

Notera: Kniven måste balanseras när den har slipats. Låt en serviceverkstad slipa, byta och balansera kniven. Om du träffar ett hinder som gör att produkten stannar ska du byta ut den skadade kniven. Låt

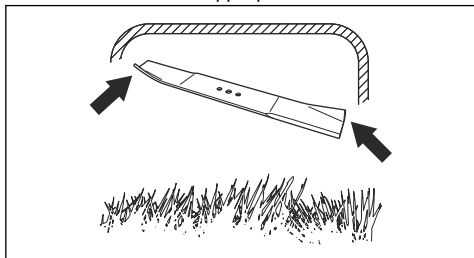
serviceverkstaden bedöma om kniven kan slipas eller måste ersättas.

Ta bort och byta ut kniven

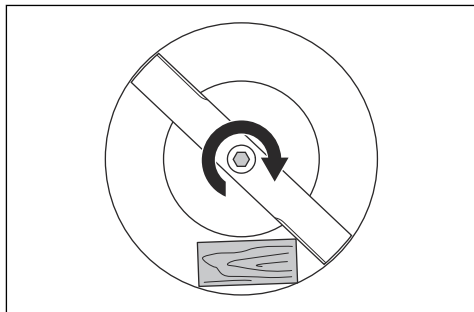
1. Lås kniven med en träbit.



2. Ta bort knivbulten.
3. Tag bort kniven.
4. Kontrollera knivstödet och knivbulten för att se om det finns skador.
5. Kontrollera motoraxeln för att se till att den inte är böjd.
6. När du monterar en ny kniv ska du rikta knivens vinklade ändar mot klippkåpan.



7. Se till att kniven är i linje med motoraxelns mitt.
8. Lås kniven med en träbit. Montera fjäderbrickan och dra åt bulten och brickan med ett vridmoment på 23–28 Nm.



9. Dra runt kniven för hand och se till att den roterar fritt.



VARNING: Använd kraftiga arbetshandskar. Kniven är mycket vass och skärskador uppstår lätt.

10. Starta produkten för att testa kniven. Om kniven inte är korrekt monterad känner du vibrationer i produkten eller så är klippresultat otillfredsställande.

Felsökning

Batteri

Lysdiod på batteriet	Eventuella fel	Möjliga åtgärder
Den gröna lysdioden blinkar	Batterispänningen är låg	Ladda batteriet. Se <i>Ladda batteriet på sida 663</i> .

Lysdiod på batteriet	Eventuella fel	Möjliga åtgärder
Lysdioden för fel blinkar	Batteriet är svagt	Ladda batteriet. Se <i>Batteri på sida 667</i> .
	Temperaturen i arbetsmiljön är för hög eller för låg	Använd batteriet vid temperaturer mellan -10 °C och 40 °C.
	Överspänning	Kontrollera att nätspänningen stämmer med den som anges på produktens typskylt. Ta ut batteriet ur batteriladdaren. Vänta fem sekunder och försök att ladda batteriet igen. Om problemet kvarstår kan du tala med en auktoriserad serviceverkstad.
Lysdioden för fel lyser	För stor batteriskillnad (1 V)	Tala med en godkänd serviceverkstad.

Batteriladdare

Lysdiod på batteriladdaren	Eventuella fel	Möjliga åtgärder
Lysdioden för fel blinkar	Temperaturen i arbetsmiljön är för hög eller för låg	Använd batteriladdaren i temperaturer mellan 5 °C och 40 °C.
Lysdioden för fel lyser		Tala med en godkänd serviceverkstad

Reglagepanel

Knappsats	Felkod (antal blinkningar)	Eventuella fel	Möjlig åtgärd
Lysdiod för fel blinkar	3	Motorn är överbelastad	Öka klipphöjden. Se <i>Ställa in klipphöjden på sida 662</i> .
	5	Motorns varvtal sjunker för mycket och motorn stängs av	
	10	Motorstyrningen är för varm	Stäng av motorn och vänta tills den har blivit sval
	2	Kniven är igensatt	Förhindra oavsiktlig start genom att vrida säkerhetsnyckeln till 0, ta bort batteriet och vänta minst fem sekunder. Se till att kniven kan rotera fritt. Om problemet kvarstår ska du tala med en auktoriserad serviceverkstad
	9	Batterifel eller ingen signal från batteriet	Sätt batteriet i produkten på rätt sätt och undersök batterianslutningen. Om lysdioden för fel på batteriet blinkar. Se <i>Batteri på sida 662</i> .
Produkten stannar	8	Batteriet är svagt	Ladda batteriet. Se <i>Ladda batteriet på sida 663</i> .
	0	Batterianslutningsfel	Undersök batterianslutningen
Övriga fel	Om andra fel uppstår vrider du säkerhetsnyckeln till 0, tar bort batteriet och kontaktar en godkänd serviceverkstad.		

Transport, förvaring och kassering

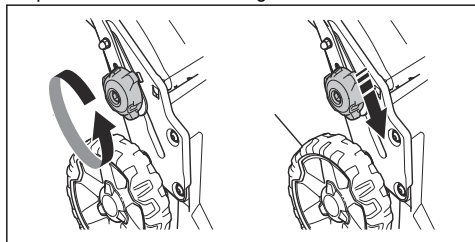
Introduktion



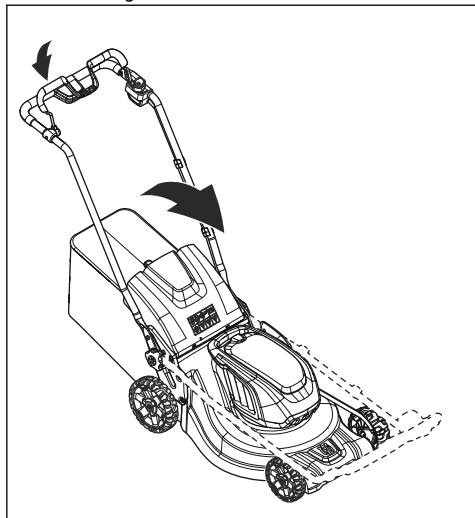
WARNING: Förhindra oavsiktlig start vid transport genom att vrida säkerhetsnyckeln till 0, ta bort batteriet och vänta minst fem sekunder.

Ställa in produkten i transportläge

1. Lossa de nedre vreden.
2. Flytta vreden till den nedre delen av spåren på produktens vänstra och högra sida.



3. Vik handtaget framåt.



4. Ta bort gräsuppsamlaren.

Transport

- Kraven i lagstiftningen för farligt gods gäller för de medföljande litiumjonbatterierna.
- För kommersiella transporterna måste särskilda krav på förpackning och etiketter följas.

- Se till att du följer kraven gällande farligt material när du förbereder produkten för transport. Lokala föreskrifter kan gälla.
- Ta alltid loss alltid batteriet vid transport.
- Sätt tejp på batterikontakterna och se till att batteriet inte kan röra sig under transport.
- Sätt fast produkten under transport.

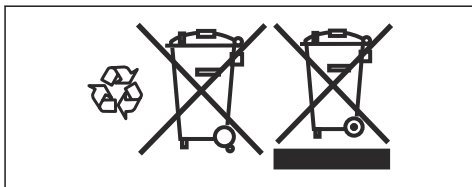
Förvaring

- Ta alltid ut batteriet vid förvaring.
- Förhindra olyckor genom att se till att batteriet inte är kopplat till produkten vid förvaring.
- Förvara batteriladdaren på en sluten och torr plats.
- Förvara batteriet och batteriladdaren på en torr plats där det inte finns någon fukt eller frost.
- Koppla ur batteriet från batteriladdaren vid förvaring.
- Förvara inte batteriet där statisk elektricitet kan uppkomma. Förvara inte batteriet i en metallåda.
- Förvara batteriet i temperaturer mellan 5 °C och 25 °C, och inte i direkt solljus.
- Förvara batteriladdaren i temperaturer mellan 5 °C och 45 °C, och inte i direkt solljus.
- Se till att batteriet är 30–50 % laddat innan du förvarar det under längre perioder.
- Förvara produkten, batteriet och batteriladdaren i ett låst utrymme utom räckhåll för barn och personer som inte är godkända.
- Rengör produkten och gör en fullständig service innan du ska förvara produkten under en längre tid.

Kassering

Symbolen på produkten eller dess förpackning indikerar att denna produkt inte får hanteras som hushållsavfall. Istället ska den överlämnas till lämplig återvinningsstation för återvinning av elektrisk och elektronisk utrustning.

Genom att se till att denna produkt omhändertags ordentligt kan du hjälpa till att motverka potentiella negativa konsekvenser på miljö och människor, vilka annars kan orsakas genom oriktig avfallshantering av denna produkt. För mer detaljerad information om återvinning av denna produkt, kontakta din kommun, din hushållsavfallsservice eller affären där du köpte produkten.



Tekniska data

Tekniska data

	LC 247iX/LC 247i	LC 347iVX/LC 347iV	LC 353iVX/LC 353iV
Klippmotor			
Motor typ	BLDC (borstlös) 36 V	BLDC (borstlös) 36 V	BLDC (borstlös) 36 V
Motorvarvtal – SavE, varv/min	2 600	2 600	2 600
Motorvarvtal – nominellt, varv/min	3 000	3 000	3 000
Motorvarvtal – hög belastning, varv/min	3 500	3 500	3 500
Motoreffekt – max. kW	0,96	0,96	1,05
Motoreffekt – nominell, kW	0,75	0,75	0,9
Drivmotor			
Motoreffekt – nominell, kW	Ej tillämpligt	0,25	0,25
Självgående hastighet, km/h	Ej tillämpligt	3,0–4,5	3,0–4,5
Nivåer för varvtalsreglering	Ej tillämpligt	4	4
Vikt			
Vikt utan batteri, kg	24	26	28
Batteri			
Batterityp	Husqvarna Battery-serien	Husqvarna Battery-serien	Husqvarna Battery-serien
Batteritid			
Batteritid, min, (fri drift) med SavE aktiverat, med ett 5,2 Ah-batteri från Husqvarna (Bli200).	43	43	32
Batteritid, min, (fri drift) med standardläge aktiverat, med ett 5,2 Ah-batteri från Husqvarna (Bli200).	30	30	20
Bulleremissioner ⁷⁶			
Ljudeffektnivå, uppmätt dB(A)	94	94	97
Ljudeffektnivå, garanterad L _{WA} dB(A)	95	95	98
Ljudnivåer ⁷⁷			
Ljudtrycksnivå vid användarens öra, dB(A)	82	82	86
Vibrationsnivåer ⁷⁸			
Handtag, m/s ²	0,42	0,42	2,64

⁷⁶ Emission av buller till omgivningen uppmätt som ljudeffekt (L_{WA}) enligt EG-direktiv 2000/14/EG.

⁷⁷ Redovisade data för ljudtrycksnivå har ett typiskt spridningsmått (standardavvikelse) på 1,2 dB(A).

⁷⁸ Rapporterade data för vibrationsnivå har en typisk statistisk spridning (standardavvikelse) på 0,2 m/s². Vibrationsstandard SS-EN 60335-2-77:2017 kapitel 20.105

	LC 247iX/LC 247i	LC 347iVX/LC 347iV	LC 353iVX/LC 353iV
Skärutrustning			
Klipphöjd, mm	20–75 mm	20–75 mm	20–75 mm
Klippbredd, cm	47	47	53
Kniv, standard	Uppsamling 5905934-10	Uppsamling 5905934-10	Uppsamling 5940757-10
Knivtillbehör	Mulch 5907010-10	Mulch 5907010-10	Mulch 5950072-10
Gräsuppsamlarens kapacitet, liter	55	55	60

Radiofrekvensdata för Bluetooth®	LC 247iX	LC 347iVX	LC 353iVX
Frekvensband, GHz	2,4–2,4835	2,4–2,4835	2,4–2,4835
Uteffekt, max. dBm	4	4	4

Godkända batterier	Typ	Batterikapacitet, Ah	Spänning, V	Vikt, lb/kg
BLi20	Litiumjonbatteri	4,0	36	2,6/1,2
BLi30	Litiumjonbatteri	7,7	36	4,2/1,9
BLi200	Litiumjonbatteri	5,2	36	2,8/1,3
BLi300	Litiumjonbatteri	9,4	36	4,1/1,9

Laddare som är godkända för de angivna batterierna, BLi	Inspänning, V	Frekvens, Hz	Effekt, W
QC80	100–240	50–60	80
QC80F	12	0	80
QC250	100–240	50–60	250
QC330	100–240	50–60	330
QC500	100–240	50–60	500

EG-försäkran om överensstämmelse

EG-försäkran om överensstämmelse

Husqvarna AB, 561 82 Huskvarna, Sverige, tel:

+46-36-146500, försäkrar härmed att **gräsklipparen**

Husqvarna LC 247i, LC 247iX, LC 347iV, LC 347iVX,

LC 353iV, LC 353iVX från år 2018 och framåt uppfyller

kraven i RÅDETS DIREKTIV:

- av den 8 juni 2011 angående "begränsning av användning av vissa farliga ämnen" **2011/65/EU**
- av den 17 maj 2006 "angående maskiner" **2006/42/EG**
- av den 8 maj 2000 "angående emission av buller i miljön" **2000/14/EG**

För information om emission av buller, se *Tekniska data på sida 670*.

Följande standarder har tillämpats:

EN/IEC 60335-1, EN/IEC 60335-2-77, EN/IEC 62233,

EN 55014-1, EN ETSI 301 489-7 v1.3.1, EN 61000-6,

ETSI EN 61000-6-1, EN 300 328 BT low energy Tx/Rx, EN 50581

Om inte annat anges är ovan angivna standarder de senast offentliggjorda versionerna.

Anmält organ: **0404, RISE SMP Svensk Maskinprovning AB, Box 7035, SE-750 07 Uppsala** har utfört en utvärdering av överensstämmelse i enlighet med bilaga VI till direktiv 2000/14/EG.

Huskvarna, 2020-04-22



Claes Losdal, utvecklingschef/trädgårdsprodukter
(auktoriserad representant för Husqvarna AB och ansvarig för tekniskt underlag)

Registrerade varumärken

Ordmärket och logotypen *Bluetooth®* är registrerade varumärken som ägs av *Bluetooth SIG, inc.*, och all användning av sådana märken av Husqvarna sker med licens.

İçindekiler

Giriş.....	673	Sorun giderme.....	691
Güvenlik.....	677	Taşıma, depolama ve atma.....	693
Montaj.....	684	Teknik veriler.....	694
Çalışma.....	686	AT Uyumluluk Bildirimi.....	696
Bakım.....	690	Kayıtlı ticari markalar.....	696

Giriş

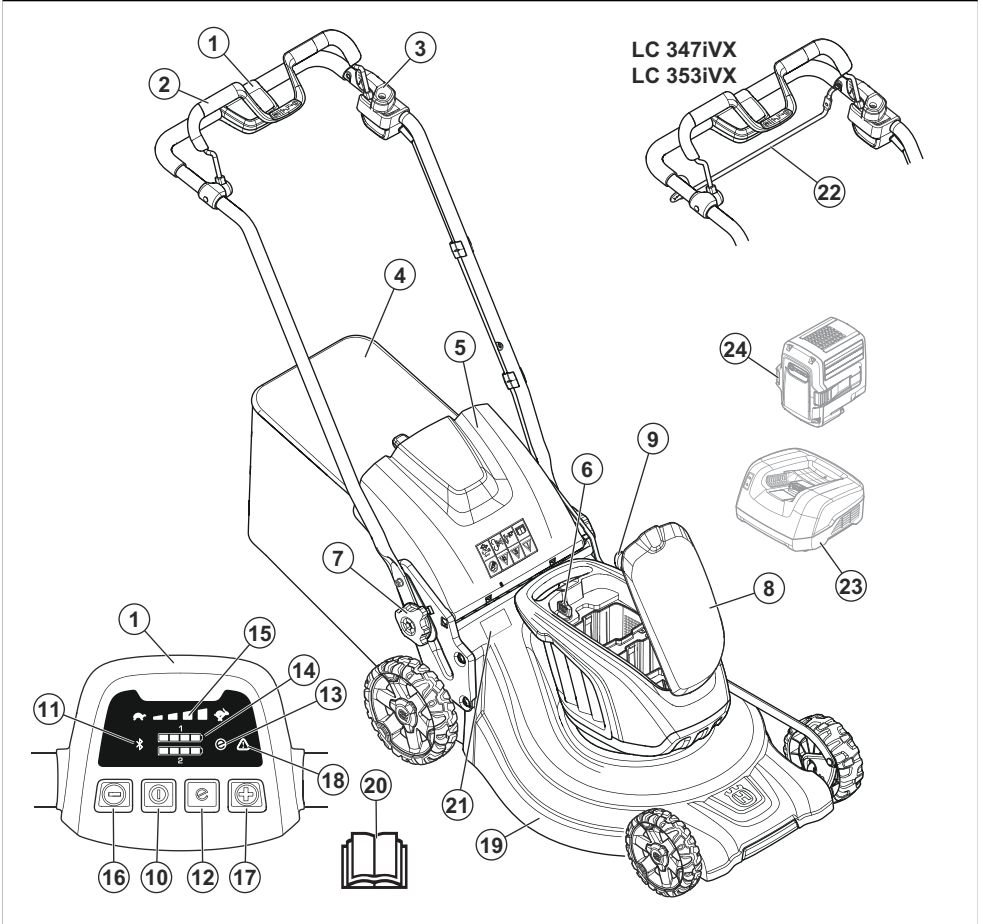
Ürün açıklaması

Ürün, yaya kumandalı bir döner çim biçme makinesidir. Çim, çim toplama sepetinde toplanır. Çimin arkadan boşaltımı için çim toplama sepetini çıkarın. Çimi gübre haline getirmek için bir malç kiti (aksesuar) takın.

Kullanım amacı

Ürünü çim biçmek için kullanın. Ürünü başka işler için kullanmayın.

Ürüne genel bakış



1. Kontrol paneli
2. Motor fren kolu
3. Başlatma engelleyici
4. Çim toplama sepeti
5. Arka kapak
6. Güvenlik anahtarı
7. Tutma yeri topuzu
8. Akü kapağı
9. Kesme yüksekliği kontrolü
10. AÇMA/KAPAMA düğmesi
11. Bluetooth® kablosuz teknolojisi göstergesi
12. SavE düğmesi
13. SavE göstergesi
14. Akü göstergesi
15. Hız seviyesi göstergesi (LC 347iV, LC 347iVX, LC 353iV, LC 353iVX)
16. Hız düşürme düğmesi (LC 347iV, LC 347iVX, LC 353iV, LC 353iVX)
17. Hız artırma düğmesi (LC 347iV, LC 347iVX, LC 353iV, LC 353iVX)
18. Hata LED'i
19. Kesme kapağı
20. Kullanım kılavuzu
21. Nominal değerler plakası
22. Tahrik kolu (LC 347iV, LC 347iVX, LC 353iV, LC 353iVX)
23. Akü şarj cihazı (Aksesuar)
24. Akü (Aksesuar)

Ürün üzerindeki semboller



UYARI! Dikkatli olun ve ürünü doğru kullanın. Bu ürün, operatör ya da başkaları açısından ciddi yaralanmalara veya ölüme neden olabilir.



Kullanım kılavuzunu dikkatle okuyun ve kullanımdan önce talimatları anladığınızdan emin olun.



İnsanları ve hayvanları çalışma alanından güvenli bir uzaklıkta tutun.



Atılan nesnelere ve seken cisimlere dikkat edin.



Uyarı: El ve ayaklarınızı döner bıçaktan uzak tutun.



Uyarı: El ve ayaklarınızı döner parçalardan uzak tutun.



Onarım veya bakım gerçekleştirmeden önce güvenlik anahtarını sökün.



Yağmura maruz bırakmayın.



Ürün ya da ürünün ambalajı evsel atık değildir. Ürünü, elektrikli ve elektronik ekipmanlar için bir geri dönüşüm istasyonunda geri dönüştürün.



Ürün, geçerli AT direktiflerine uygundur.



Ürün, geçerli Avrasya Gümrük Birliği direktiflerine uygundur.



Ürün, geçerli UkrSEPRO direktiflerine uygundur.



Ürün, geçerli RCM direktiflerine uygundur. Sadece AU/NZ için geçerlidir.



Avrupa Direktifi 2000/14/AT ve Yeni Güney Galler mevzuatı

"Çevre Koruma Operasyonları (Gürültü Kontrolü) Yönetmeliği 2017" uyarınca çevreye yayılan gürültü emisyonu. Gürültü emisyonu verileri makine etiketinde ve Teknik veriler bölümünde bulunabilir.

IPX1 Ürün damla korumalıdır.

Çalıştırma prosedürü: AÇMA/KAPAT-MA düğmesine basın, başlatma engelleyiciyi gevşetin, motor fren kolunu aşağıya doğru itin.



Durdurmak için motor fren kolunu serbest bırakın.



Yavaş



Hızlı



Taranabilir kod

Not: Ürünün üzerindeki diğer semboller/etiketler, bazı pazarların sertifikalandırma gereklilikleri ile ilgilidir.

Ürün üzerindeki etiket



El ve ayaklarınızı döner bıçaklardan uzak tutun.

Ürün sorumluluğu

Ürün sorumluluğu yasalarında belirtildiği üzere;

- ürünün hatalı bir şekilde onarılması,
- ürünün, üretici tarafından onaylanmayan veya üreticiden alınmayan parçalarla tamir edilmesi,
- üründe, üreticiden alınmayan veya üretici tarafından onaylanmayan bir aksesuar bulunması,
- ve ürünün, onaylı bir servis merkezinde veya yetkili bir kurum tarafından tamir edilmemesi durumunda oluşabilecek hasarlardan sorumlu değiliz.

Güvenlik tanımları

Kılavuzdaki önemli kısımları vurgulamak için uyarılar ve notlar kullanılmıştır.



UYARI: Kılavuzdaki talimatlara uyulmadığı takdirde operatör veya çevredeki kişiler için ciddi yaralanma veya ölüm tehlikesi varsa kullanılır.



DİKKAT: Kılavuzdaki talimatlara uyulmadığı takdirde ürünün, diğer malzemelerin veya çevrenin zarar görme riski olduğunda kullanılır.

Not: Belirli bir durumda bilgi verilmesi gerektiğinde kullanılır.

Genel güvenlik talimatları



UYARI: Ürünü kullanmadan önce aşağıdaki uyarı talimatlarını okuyun.

- Bu ürün yanlış kullanıldığında veya dikkatli olmazsanız tehlikelidir. Güvenlik talimatlarına uyulmaması

yaralanmalara veya ölüme yol açabilir.

- Bu ürün, çalışırken elektromanyetik bir alan oluşturur. Bu alan, bazı koşullarda aktif veya pasif tıbbi implantlarda girişime neden edebilir. Ciddi veya ölümcül yaralanma riskini azaltmak için tıbbi implantı olan kişilerin, bu ürünü kullanmadan önce doktorlarına ve tıbbi implant üreticilerine danışmalarını öneririz.
- Her zaman dikkatli olun ve sağduyunuzu kullanın. Özel bir durumda aracı nasıl kullanacağınızdan emin değilseniz durun ve devam etmeden önce Husqvarna yetkili satıcınızla görüşün.
- Diğer insanları veya bu insanlara ait mülkleri içeren kazalardan operatörün sorumlu tutulacağını unutmayın.
- Ürünü temiz tutun. İşaretleri ve etiketleri net bir şekilde okuyabildiğinizden emin olun.
- Çocukların veya bu kullanma talimatlarını bilmeyen kişilerin cihazı kullanmasına asla izin vermeyin. Yerel yönetmeliklerde operatör

yaşına dair bir sınırlama olabilir

- Fiziksel veya zihinsel kapasitesi düşük olan bir kişi ürünü kullanırken bu kişiyi daima gözetim altında tutun. Sorumluluk sahibi bir yetişkin her zaman orada olmalıdır.
- Ürünü yorgun, hasta veya alkol ya da ilaç etkisi altındayken kullanmayın. Bu durum görüş, dikkat, koordinasyon ve doğru bir şekilde düşünmenizi olumsuz yönde etkiler.
- Arızalıysa ürünü kullanmayın.
- Başkaları tarafından değiştirilmiş olma olasılığı varsa bu ürünü değiştirmeyin veya kullanmayın.

Çalışma alanı güvenliği



UYARI: Ürünü kullanmadan önce aşağıdaki uyarı talimatlarını okuyun.

- Ürünü kullanmadan önce çalışma alanındaki dal, çalı çırpı ve taş gibi nesnelere alın.
- Kesme donanımına çarpan nesnelere fırlatılarak kişi ve nesnelere zarar görmesine neden olabilir. Etraftaki insanları ve hayvanları

üründen güvenli bir uzaklıkta tutun.

- Ürünü sis, yağmur, kuvvetli rüzgar, şiddetli soğuk ve yıldırım düşmesi riski gibi olumsuz hava koşullarında hiçbir zaman kullanmayın. Ürünü olumsuz hava koşullarında veya nemli ya da ıslak yerlerde kullanmak yorucudur. Kötü hava, kaygan yüzeyler gibi tehlikeli koşullara neden olabilir.
- Ürünün güvenli bir şekilde çalışmasını önleyebilecek kişi, nesne ve durumlara dikkat edin.
- Kök, taş, çalı çırpı, çukur, hendek gibi engellere dikkat edin. Uzun çim nesnelere saklayabilir.
- Eğimli yerlerde çim kesmek tehlikeli olabilir. Aşırı dik eğimlerde çim biçmeyin. Ürünü 15°'den daha eğimli zeminlerde kullanmayın
- Yokuşta yön değiştirirken çok dikkatli olun. Yokuşlarda ürünü yatay olarak kullanın. Yukarı ve aşağı hareket ettirmeyin.
- Gizli köşelere ve açık görüşü engelleyen nesnelere yanına giderken dikkatli olun.

Çalışma güvenliği



UYARI: Ürünü kullanmadan önce aşağıdaki uyarı talimatlarını okuyun.

- Bu ürünü yalnızca çimenlik alanlarda çim kesmek için kullanın. Ürünün başka işler için kullanılması yasaktır.
- Kişisel koruyucu araçlar kullanın. Bkz. *Kişisel koruyucu ekipman sayfa: 680*.
- Acil bir durumda motoru hızlı bir şekilde nasıl kapatacağınızı öğrenin.
- Ürünü yağmurda veya ıslak koşullarda çalıştırmayın. Ürünün içine su girerse elektrik çarpması riski artar.
- Bıçağı ve tüm kapakları doğru bir şekilde takmadan ürünü çalıştırmayın. Yanlış bir şekilde takılan bıçak gevşeyerek yaralanmanıza neden olabilir.
- Bıçağın taş veya kök gibi nesnelere çarpmamasına dikkat edin. Bu, bıçağa zarar verebilir ve motor milini bükebilir. Bükülmüş aks, ağır titreşime ve çok yüksek bir bıçak gevşemesi riskine neden olabilir.
- Bıçak bir cisme çarpar veya titreşim olursa ürünü hemen durdurun. Motoru durdurun, güvenlik anahtarını 0 konumuna getirin ve aküyü çıkarın. Üründe hasar olup olmadığını kontrol edin. Hasarları onarın veya yetkili bir servis noktasının onarım yapmasını sağlayın.
- Motor çalıştırıldığında motor fren kolunu asla sürekli olarak kola takmayın.
- Ürünü sabit ve düz bir yüzeye koyup çalıştırın. Bıçağın yere veya diğer cisimlere çarpmadığından emin olun.
- Ürünü çalıştırırken her zaman arkasında durun.
- Ürünü kullanırken tüm tekerleklerin yere basmasını sağlayın ve 2 elinizi kolun üzerinde tutun. Ellerinizi ve ayaklarınızı döner bıçaklardan uzakta tutun.
- Motor çalışırken ürünü yatırmayın.
- Ürünü arkaya doğru çekerken dikkatli olun.
- Motor çalışırken ürünü hiçbir zaman yukarı kaldırmayın. Ürünü kaldırmanız gerekiyorsa öncelikle motoru durdurun, güvenlik anahtarını 0 konumuna getirin ve aküyü çıkarın.

- Ürünü kullanırken arkaya doğru yürümeyin.
- Çakıl, taş ve asfalt gibi malzemelerden yapılmış, çim olmayan alanlardan geçerken motoru durdurun.
- Motor çalışırken ürünle birlikte koşmayın. Ürünü kullanırken her zaman yürüyün.
- Kesme yüksekliğini değiştirmeden önce motoru durdurun. Motor çalışırken asla ayarlama yapmayın.
- Motor çalışırken ürünün görüş alanından çıkmasına asla izin vermeyin. Motoru durdurun ve kesme donanımının dönmediğinden emin olun.

Kullanım için güvenlik talimatları

Kişisel koruyucu ekipman



UYARI: Ürünü kullanmadan önce aşağıdaki uyarı talimatlarını okuyun.

- Kişisel koruyucu ekipmanlar yaralanma riskini tamamen engelleyemez ancak bir kaza durumunda yaralanmanın derecesini azaltır. Bayinizin doğru ekipmanı seçmenize yardımcı olmasını sağlayın.
- Ağır hizmet tipi kaymayan botlar veya ayakkabılar kullanın. Açık ayakkabılar

giymeyin veya çıplak ayakla yürümeyin.

- Kalın, uzun pantolonlar giyin.
- Kesme donanımını takma, kontrol etme veya temizleme gibi gerekli durumlarda koruyucu eldivenler kullanın.

Ürünün üzerindeki güvenlik aletleri



UYARI: Ürünü kullanmadan önce aşağıdaki uyarı talimatlarını okuyun.

- Güvenlik araçları arızalı olan bir ürünü kullanmayın.
- Güvenlik araçlarını düzenli olarak kontrol edin. Güvenlik araçları arızalıysa Husqvarna servis nokتانızla görüşün.

Kesme kapağını kontrol etme

Kesme kapağı, üründeki titreşimleri ve bıçakla yaralanma riskini azaltır.

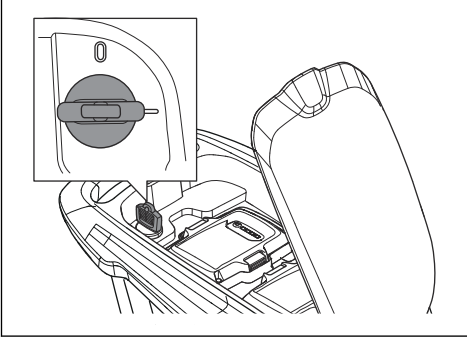
- Çatlak gibi hasarlar olmadığından emin olmak için kesme kapağını inceleyin.

Güvenlik anahtarı

Güvenlik anahtarı, akü kapağının altındadır. Güvenlik

anahtarı, motora güç sağlayan aküye bağlanır.

- Güvenlik anahtarını kontrol etmek için motoru çalıştırın ve durdurun.
- Güvenlik anahtarı doğru çalışıyorsa motor sadece güvenlik anahtarı 1 konumuna getirildiğinde çalışır.

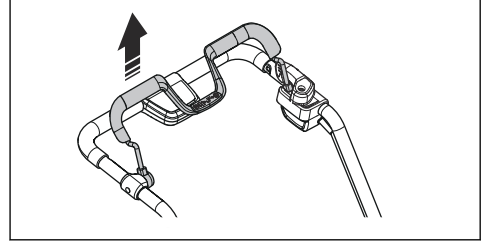


Motor fren kolu

Motor fren kolu motoru durdurur. Motor fren kolu serbest bırakıldığında motor durur.

Motor frenini kontrol etmek için motoru çalıştırıp motor fren kolunu serbest bırakın. Motor 3 saniye içinde durmazsa motor

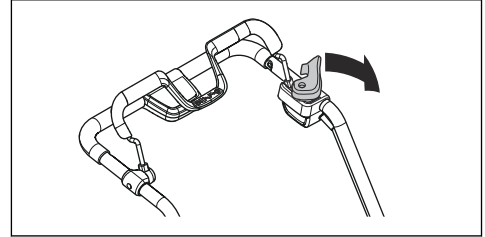
frenini onaylı bir Husqvarna servis noktasına ayarlatın.



Başlatma engelleyicinin kontrol edilmesi

Motorun çalışmasını engellediğinden emin olmak için başlatma engelleyiciyi kontrol edin.

1. Motor freni kolunu gidonun yönünde itin. Başlatma engelleyici hareketi durdurur.
2. Başlatma engelleyiciyi dışarı doğru itin.



3. Başlatma engelleyiciyi serbest bırakın ve başlangıç konumuna geri döndüğünden emin olun.

Akü güvenliği



UYARI: Ürünü kullanmadan önce

aşağıdaki uyarı talimatlarını okuyun.

- Yalnızca ilgili Husqvarna ürünleri için güç kaynağı olarak Husqvarna şarj edilebilir akülerini kullanın. Yaralanmayı önlemek için aküyü başka cihazların güç kaynağı olarak kullanmayın.
- Şarj edilebilir olmayan akü kullanmayın.
- Elektrik çarpması riski. Akü terminallerini anahtarlara, madeni paralara, vidalara veya diğer metallere bağlamayın. Bu, aküde kısa devreye neden olabilir.
- Akünün hava deliklerine herhangi bir nesne koymayın.
- Aküyü doğrudan güneş ışığından, ısı kaynaklarından veya açık alevden uzak tutun. Akü patlayabilir ve yanıklara ve/veya kimyasal yanıklara neden olabilir.
- Aküyü yağmurdan ve ıslak koşullardan uzak tutun.
- Aküyü mikrodalgalardan ve yüksek basınçtan uzak tutun.
- Aküyü parçalarına ayırmaya veya kırmaya çalışmayın.
- Aküde sızıntı varsa sıvının vücudunuza veya gözlerinize temas etmesine izin vermeyin. Sıvıya dokunduysanız

etkilenen bölgeyi bolca suyla yıkayın ve tıbbi yardım alın.

- Aküyü -10°C ile 40°C arasındaki sıcaklıklarda kullanın.
- Aküyü veya akü şarj cihazını suyla temizlemeyin. Bkz. *Aküyü ve şarj cihazını temizlemek için sayfada: 690.*
- Hatalı veya hasarlı aküleri kullanmayın.
- Aküleri çivi, madeni para, mücevher gibi metal nesnelere uzak bir yerde saklayın.

Akü şarj cihazı güvenliği



UYARI: Ürünü kullanmadan önce aşağıdaki uyarı talimatlarını okuyun.

- QC akü şarj cihazlarını yalnızca Husqvarna yedek akülerini şarj etmek için kullanın.
- Elektrik çarpması veya kısa devre riski. Şarj cihazının hava deliklerine herhangi bir nesne koymayın. Akü şarj cihazını parçalarına ayırmaya çalışmayın. Şarj cihazı terminallerini metal nesnelere bağlamayın. Onaylı bir elektrik prizi kullanın.

- Bu ürün, çalışırken elektromanyetik bir alan oluşturur. Bu alan, bazı koşullarda aktif veya pasif tıbbi implantlarda girişime neden edebilir. Ciddi veya ölümcül yaralanma riskini azaltmak için tıbbi implantı olan kişilerin, bu ürünü kullanmadan önce doktorlarına ve tıbbi implant üreticilerine danışmalarını öneririz.
- Akü şarj cihazının güç kablosunun hasarlı olmadığını ve üzerinde çatlaklar bulunmadığını düzenli olarak kontrol edin.
- Akü şarj cihazını güç kablosundan tutup kaldırmayın. Akü şarj cihazını elektrik prizinden çıkarmak için fişi çekin. Güç kablosunu çekmeyin.
- Güç kablosunu ve uzatma kablolarını sudan, yağdan ve keskin kenarlı cisimlerden uzak tutun. Kabloların kapılara, çitlere veya benzeri yerlere sıkışmadığından emin olun. Bu durum şarj cihazının elektrik yüklenmesine sebep olabilir.
- Akü şarj cihazını suyla temizlemeyin.
- Akü şarj cihazı, gözetim altında tutuldukları ya da akü şarj cihazının güvenli şekilde kullanımına ilişkin talimatlar sağlandığı ve gerçekleştirilecek tehlikeler açıklandığı sürece 8 yaş ve üzeri çocuklar ve fiziksel, duyuşal veya zihinsel yetenekleri sınırlı olan ya da yetersiz deneyim ve bilgiye sahip kişiler tarafından kullanılabilir. Çocuklar akü şarj cihazı ile oynamamalıdır. Temizlik ve kullanıcı bakım işlemleri gözetim olmadan çocuklar tarafından gerçekleştirilmemelidir.
- Şarj edilemeyen aküleri akü şarj cihazında şarj etmeyin.
- Akü şarj cihazını, yanıcı malzemelerin veya korozyona neden olabilecek malzemelerin yakınında kullanmayın. Akü şarj cihazının üzerini kapatmayın. Duman veya ateş çıkması durumunda akü şarj cihazının fişini çekip çıkarın.
- Hatalı veya hasarlı akü şarj cihazlarını kullanmayın.
- Aküyü yalnızca kapalı alanda, iyi hava akışı olan ve güneş ışığından uzak bir odada şarj edin. Aküyü ıslak koşullarda şarj etmeyin.

Bakım için güvenlik talimatları



UYARI: Ürünü kullanmadan önce aşağıdaki uyarı talimatlarını okuyun.

- Bakım sırasında yanlışlıkla çalıştırmayı önlemek için güvenlik anahtarını 0 konumuna getirin ve aküyü çıkarın. Bakıma başlamadan önce en az 5 saniye bekleyin.
- Ürünün ömrünü uzatmak ve kaza riskini azaltmak için bakım işini doğru şekilde yapın. Onaylı bir servis noktasında profesyonel onarım yaptırın. Daha fazla bilgi için size en yakın servis noktası ile görüşün.
- Yalnızca bu kullanım kılavuzunda belirtilen bakım çalışmasını yapın. Bu kapsamın dışındaki işlemler onaylı bir servis noktası tarafından yapılmalıdır.

- Kesme donanımını kullanırken ağır hizmet tipi eldiven giyin. Bıçak çok keskindir ve kolaylıkla kesiklere yol açabilir.
- En iyi ve en güvenli performans için kesme kenarlarının keskin ve temiz olmasına özen gösterin.
- Servis noktanızın düzenli olarak ürünü kontrol etmesini ve gerekli ayarları ve onarımları yapmasını sağlayın.
- Hasarlı, aşınmış veya bozuk parçaları değiştirin.
- Aksesuar değiştirmeye ilgili talimatlara uyun. Yalnızca üreticiden gelen aksesuarları kullanın.
- Çalışmadığı zaman ürünü, aküyü ve akü şarj cihazını ayrı olarak kuru, kapalı ve kilitli bir alanda saklayın. Çocukların ve onaylı olmayan kişilerin ürüne, aküye veya akü şarj cihazına erişemediklerinden emin olun.

Montaj

Giriş



UYARI: Ürünü monte etmeden önce, güvenlik bölümünü okuyun.

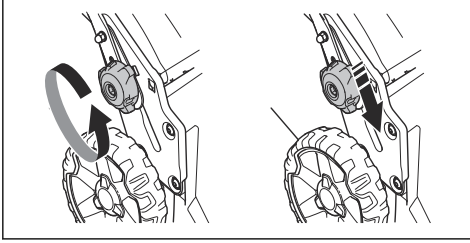


UYARI: Montaj sırasında yanlışlıkla çalıştırmayı önlemek için güvenlik anahtarını 0 konumuna getirin, aküyü çıkarın ve en az 5 saniye bekleyin.

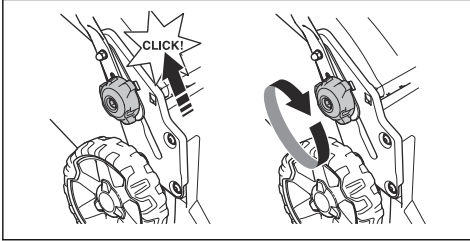
Tutma yerinin ayarlanması

1. Alt düğmeleri gevşetin.

2. Düğmeleri ürünün sol ve sağ tarafındaki girintilerin alttaki ucuna getirin.



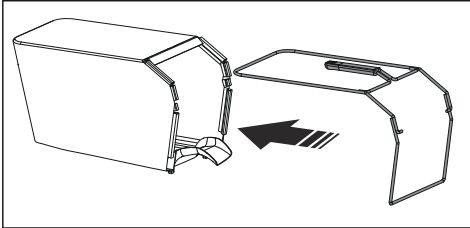
3. Kol yüksekliğini mevcut 2 konumdan birine ayarlayın.
4. Düğmeleri durana ve tık sesi duyulana kadar kol yönünde yukarı hareket ettirin.



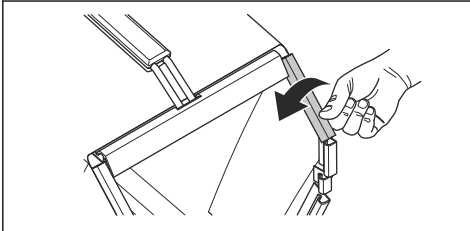
5. Düğmeleri tamamen sıkın.

Çim toplama sepetinin takılması

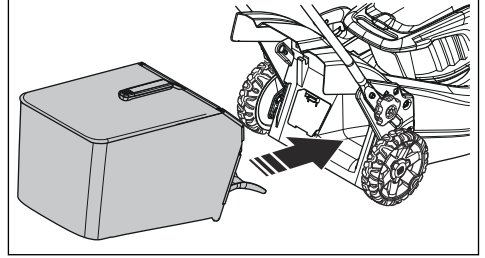
1. Çim toplama sepeti çerçevesini, torbanın sert kısmı aşağı gelecek şekilde çim torbasına takın. Çerçevenin kolunu çim torbasının üst kısmında tutun.



2. Çim toplama sepeti çerçevesinin alt kısmını çim toplama sepetinin altındaki oluğa takın.
3. Çim torbasını, klipslerle çim toplama sepeti çerçevesine takın.

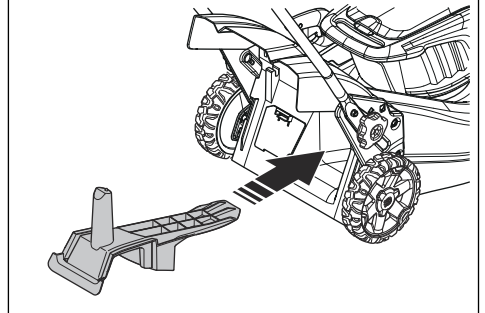


4. Arka kapağı kaldırın.
5. Çim toplama sepetini şasinin üst kenarına takın.
6. Çim toplama sepetinin alt kısmını çim boşaltma kanalına yerleştirin.



Malç tapasının (aksesuar) takılması

1. Arka kapağı kaldırın ve çim toplama sepetini sökün.
2. Malç tapasını boşaltma kanalının içine yerleştirin.



3. Bıçağı, malç kitinde tedarik edilen malç bıçağı ile değiştirin. Bkz. *Bıçağın sökülmesi ve değiştirilmesi sayfa: 691.*

Çalışma

Giriş



UYARI: Ürünü kullanmadan önce güvenlik bölümünü okuyup anlamalısınız.

Husqvarna Connect

Husqvarna Connect, mobil cihazınız için ücretsiz bir uygulamadır. Husqvarna Connect uygulaması, Husqvarna ürününüz için ayrıntılı işlevler sunar:

- Ayrıntılı ürün bilgileri.
- Ürün parçaları ve servis hakkında bilgi ve yardım.

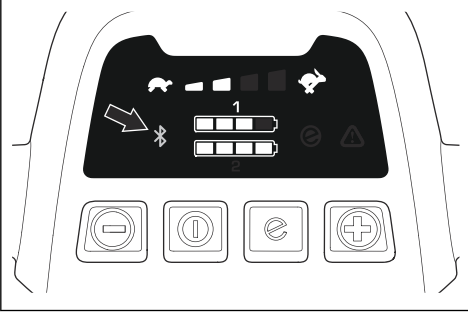
Husqvarna Connect uygulamasını kullanmaya başlamak için

1. Husqvarna Connect uygulamasını mobil cihazınıza indirin.
2. Husqvarna Connect uygulamasında kaydolun.
3. Ürünü bağlamak ve kaydetmek için Husqvarna Connect uygulamasındaki talimatları izleyin.

Bluetooth® bilgisi (LC 247iX, LC 347iVX, LC 353iVX)

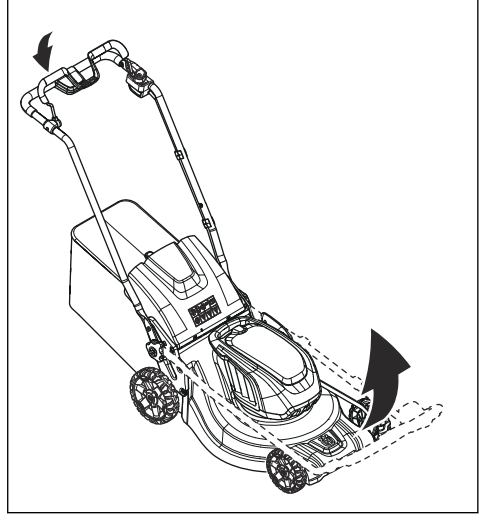
Bluetooth® kablosuz teknolojisi

Mobil cihazınız ürüne bağlıyken *Bluetooth®* kablosuz teknolojisi simgesi yanar.

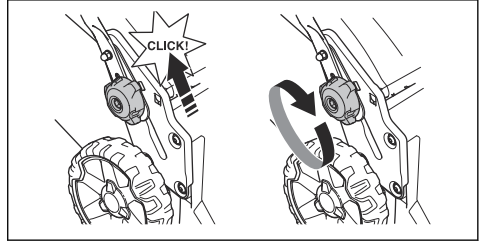


Ürünü çalıştırma konumuna getirme

1. Kolu dik konuma gelecek şekilde katlayın.



2. Düğmeleri durana ve tık sesi duyulana kadar kol yönünde yukarı hareket ettirin.



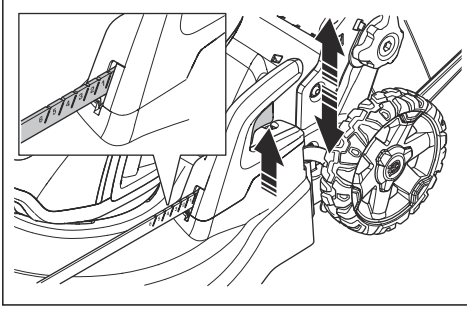
3. Düğmeleri tamamen sıkın.

Kesme yüksekliğini ayarlama

Kesme yüksekliği 6 seviyede ayarlanabilir.

1. Kesme yüksekliğini azaltmak için kesme yüksekliği kolunu aşağıya doğru hareket ettirin.

2. Kesme yüksekliğini artırmak için kesme yüksekliği kolunu yukarıya hareket ettirin.



DİKKAT: Kesme yüksekliğini çok alçakta belirlemeyin. Çimenlik alanın yüzeyi düz değilse bıçaklar yere çarpabilir.

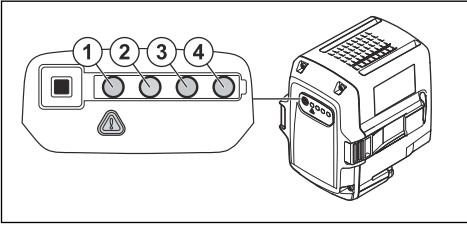
Akü



UYARI: Aküyü kullanmadan önce güvenlik bölümünü okuyup anlamalısınız. Akü ve akü şarj cihazına ait kullanım kılavuzunu da okuyup anlamalısınız.

Akü durumu

Ekran, kalan akü kapasitesi ve aküyle ilgili sorun olup olmadığı gösterilir. Akü kapasitesi, ürün kapatıldıktan veya akü göstergesi düğmesine basıldıktan sonra 5 saniye süreyle gösterilir. Bir hata meydana geldiğinde akünün üzerindeki uyarı simgesi yanar. Bkz. *Akü sayfada: 691.*



LED ışıklar	Akü durumu
Tüm LED'ler yanmaktadır	Tamamen dolu (%75-100)
LED 1, LED 2, LED 3 yanmıyorsa	Akü %50-%75 dolu
LED 1, LED 2 yanmıyorsa	Akü %25-%50 dolu
LED 1 yanmıyorsa	Akü %0-%25 doludur.
LED 1 yanıp sönüyor	Akü boştur. Aküyü şarj edin.

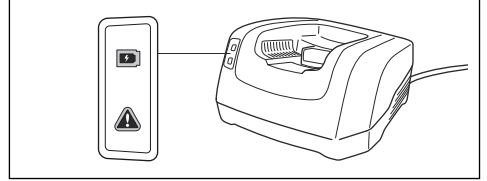
Aküyü şarj etme

İlk kullanımdan önce aküyü şarj edin. Akü, müşteriye tedarik edildiğinde yalnızca %30 oranında doludur.

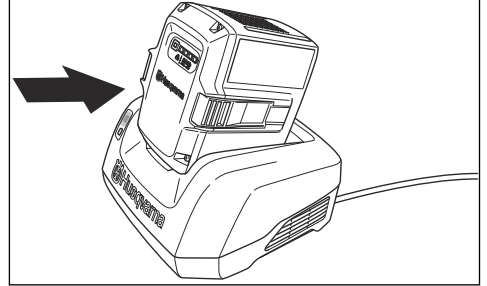
Not: Akü şarj cihazı, nominal değerler plakasında belirtilen voltaj ve frekansa bağlanmalıdır.

Akü sıcaklığı 50°C'nin üzerindeyse akü şarj olmaz. Akü şarj cihazı, şarj işlemine başlamadan önce akünün sıcaklığını düşürür.

1. Akü şarj cihazının güç kablosunun bir ucunu akü şarj cihazının soketine bağlayın.
2. Akü şarj cihazının güç kablosunun diğer ucunu topraklamalı bir elektrik prizine bağlayın. Akü şarj cihazındaki LED bir kez yeşil renkte yanıp söner.



3. Aküyü şarj cihazına yerleştirin. Akü, akü şarj cihazına doğru şekilde bağlandığında, şarj cihazı üzerindeki yeşil ışık yanar.



4. Akü üzerindeki tüm LED'ler yandığında akü tam olarak şarj olmuştur. Aküyü en fazla 24 saat boyunca şarj edin.
5. Akü şarj cihazını elektrik prizinden çıkarmak için güç kablosunu değil fişi çekin.
6. Aküyü şarj cihazından çıkarın.

Akü şarj durumu

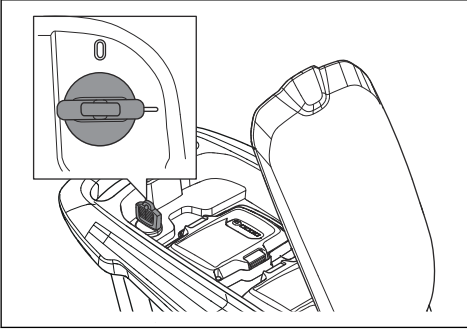
Bir Husqvarna Lityum iyon akü tüm şarj seviyelerinde şarj edilebilir veya kullanılabilir. Akü bundan zarar görmez. Tamamen şarj olmuş bir akü, şarj cihazının içinde kalırsa akünün şarjı azalmaz.

LED ekran	Şarj durumu
LED 1 yanıp sönüyor	%0-%25
LED 1 yanıyor, LED 2 yanıp sönüyor	%25-%50

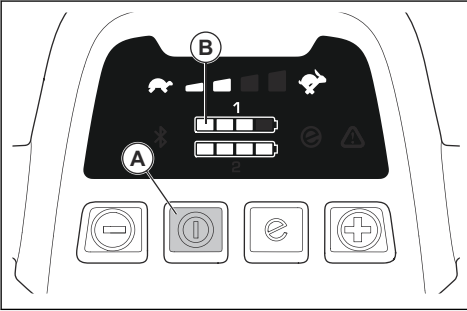
LED ekran	Şarj durumu
LED 1, LED 2 yanıyor, LED 3 yanıp sönüyor	%50-%75
LED 1, LED 2, LED 3 yanıyor, LED 4 yanıp sönüyor	%75-%100
LED 1, LED 2, LED 3, LED 4 yanıyor	Tamamen dolu

Ürünü çalıştırma

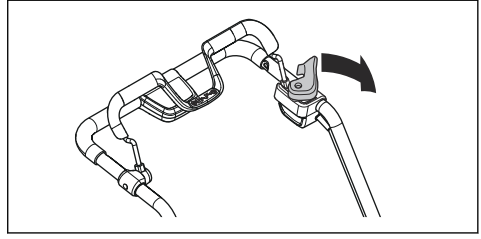
1. Akü kapağını açın.
2. Akü tutucularının 1'ine şarj olmuş bir akü yerleştirin. Daha uzun süreli çalışma için şarj olmuş ikinci bir aküyü diğer akü tutucusuna yerleştirin.
3. Güvenlik anahtarını 1 konumuna getirin.



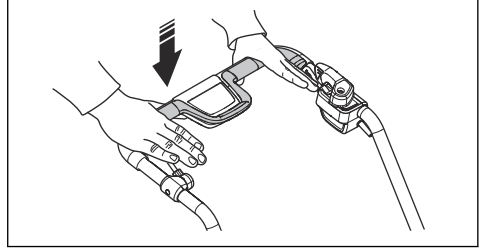
4. Ürünün arkasında durun.
5. Kontrol paneli üzerindeki AÇMA/KAPATMA düğmesine (A) basın. Ekran açılır. Akü göstergesi (B), 2 akünün şarj durumunu gösterir. Üründe çalışan akü sayısı, akü göstergesine bitişik şekilde gösterilir. LC 347iV, LC 347iVX, LC 353iV, LC 353iVX modellerinin ekranında ayarlı hız da gösterilir.



6. Başlatma engelleyicisini gevşetin.

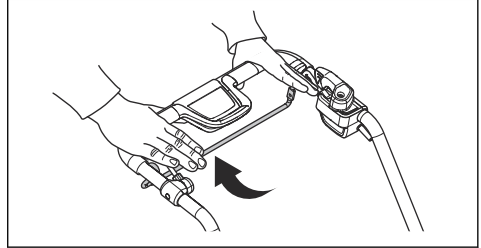


7. Motor freni kolunu gidonun yönünde itin.

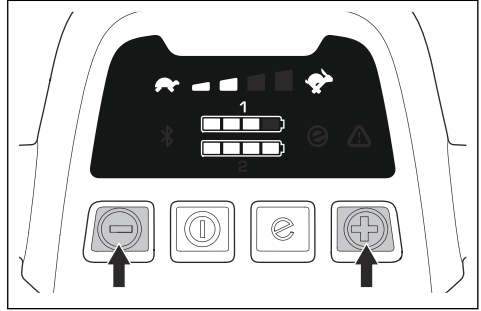


Tekerleklerde tahrikin kullanılması LC 347iV, LC 347iVX, LC 353iV, LC 353iVX

- Tahriki başlatmak için tahrik kolunu gidonun yönünde çekin.



- Tahrik hızını 4 adımdan birine ayarlamak için kontrol panelindeki + ve - düğmelerine basın.

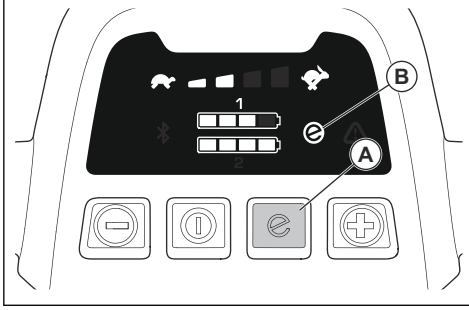


- Örneğin bir engele yaklaştığınızda, tahriki devre dışı bırakmak için tahrik kolunu serbest bırakın.

İşlevini kullanma

Üründe, daha uzun süre çalışma sağlayan bir akü tasarruf işlevi () bulunur.

1. İşlevi başlatmak için düğmesine (A) basın. Ekrandaki simgesi (B) yanar.
2. İşlevi durdurmak için düğmesine tekrar basın. Ekrandaki simgesi (B) söner.



Zemin koşulları daha yüksek bir çıkış gerektirirse işlevi otomatik olarak durur. Zemin koşulları uygun olduğunda işlevi otomatik olarak tekrar çalışır.

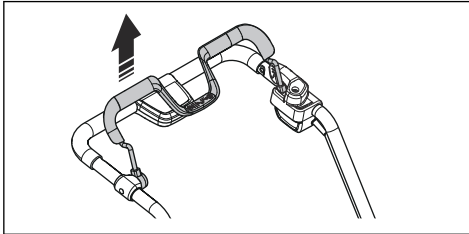
Yüksek yük işlevi

Ürün uzun veya ıslak çimi keserken motor otomatik olarak devri yükseltir. Yüksek yük gerekmediğinde motor, standart moda geri döner.

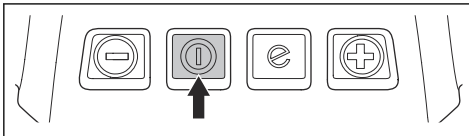
Ürünü durdurma

10 dakika boyunca çalıştırmazsanız ürün otomatik olarak durur. Ürünü görüş alanınızın dışında bırakmadan önce güvenlik anahtarını her zaman 0 konumuna getirin.

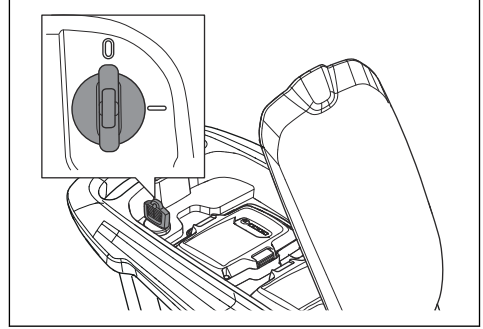
1. Motoru durdurmak için motor fren kolunu serbest bırakın.



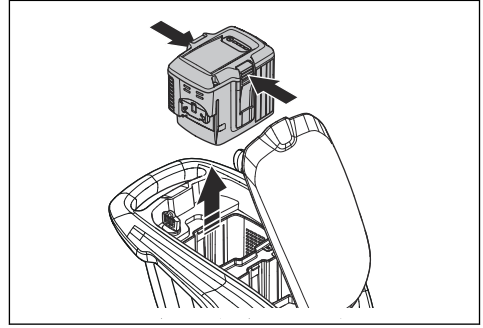
2. Kontrol paneli üzerindeki AÇMA/KAPATMA düğmesine basın. Ekrandaki tüm LED lambaları ve simgeler söner.



3. Akü kapağını açın ve güvenlik anahtarını 0 konumuna getirin.



4. Aküyü çıkarmak için 2 serbest bırakma düğmesine basın ve aküyü çekip çıkarın.



5. Akünün gücü zayıfsa aküyü şarj edin. Daha fazla bilgi için bkz. *Aküyü şarj etme sayfa: 687.*

İyi sonuç alma

- Her zaman keskin bıçak kullanın. Kör bıçak, düzensiz bir sonuç verir ve çimin kesme yüzeyi sarı olur. Ayrıca keskin bıçak kör bıçaktan daha az güç kullanır.
- Çim boyunun 1/3'ünden fazlasını kesmeyin. Önce kesme yüksekliği yüksek ayardayken kesmeye başlayın. Sonucu inceleyin ve kesme yüksekliğini uygun seviyeye indirin. Çimler çok uzunsa makineyi yavaş kullanın ve gerekirse 2 kere kesin.
- Her seferinde farklı yönlerde keserek çimenlik alanda çizgi oluşmasını önleyin.

Çim toplama sepeti veya malç tapası takılı değilken çimlerin kesilmesi

- Arka kapağı kaldırın ve çim toplama sepetini sökün.
- Malç tapası ve malç bıçağı takılıysa bunları çıkarın.
- Ürünü çalıştırmadan önce arka kapağı kapatın.

Çalışma sırasında kesilen çim arka kapağın alt kısmından boşaltılır.

Bakım

Giriş



UYARI: Bakım yapmadan önce güvenlik bölümünü okuyup anlamanız gerekir.

Ürüne uygulanacak tüm servis ve onarım işlemleri için özel eğitim gereklidir. Profesyonel onarım ve servis hizmetlerinin mevcut bulunduğunu garanti etmekteyiz.

Yetkili satıcınız servis noktası değilse kendisiyle görüşüp en yakınınızdaki servis noktası hakkında bilgi edinin.

Bakım takvimi

Bakım aralıkları, ürünün günlük kullanımına göre hesaplanır. Ürün her gün kullanılmazsa aralıklar değişir.

* ile işaretli bakımlar için bkz. *Kullanım için güvenlik talimatları sayfada: 680.*

	Her kullanımda	Aylık olarak	Her mevsimde
Genel inceleme yapma	X		
Ürünü temizleme	X		
Başlatma engelleyiciyi kontrol etme *	X		
Üründeki güvenlik araçlarının arızalı olmadığından emin olma *	X		
Kesme donanımını inceleme	X		
Kesme kapağını inceleme *	X		
Motor fren kolunu kontrol etme *	X		
AÇMA/KAPAMA düğmesinin doğru şekilde çalıştığından ve hatalı olmadığından emin olma	X		
Aküde hasar kontrolü yapma	X		
Akü şarjını kontrol etme	X		
Aküdeki serbest bırakma düğmelerinin doğru şekilde çalıştığından ve akünün ürüne sabitlendiğinden emin olma	X		
Akü şarj cihazında hasar kontrolü yapma ve cihazın doğru şekilde çalıştığından emin olma.		X	
Akü ile ürün arasındaki bağlantıları kontrol etme. Akü ile akü şarj cihazı arasındaki bağlantıyı kontrol etme.			X

Genel denetim yapma

- Ürünün üzerindeki somun ve vidaların sıkı olduğundan emin olun.
- Üründeki kabloların hasar görebilecekleri bir konumda olmadığından emin olun.

Ürünün temizlenmesi

- Plastik parçaları temiz ve kuru bir bezle temizleyin.
- Ürünü temizlemek için su kullanmayın. Aküye veya motora su girebilir ve üründe kısa devreye veya hasara neden olabilir.
- Ürünü temizlemek için yüksek basınçlı yıkayıcı kullanmayın.
- Motora doğrudan su tutmayın.
- Yaprak, çim ve kirleri gidermek için fırça kullanın.

Aküyü ve şarj cihazını temizlemek için



DİKKAT: Aküyü veya akü şarj cihazını suyla temizlemeyin.

- Aküyü akü şarj cihazına yerleştirmeden önce akünün ve akü şarj cihazının temiz ve kuru olduğundan emin olun.
- Akü terminallerini basınçlı hava ile temizleyin veya yumuşak ve kuru bir bez ile silin.
- Akü ve akü şarj cihazının yüzeylerini yumuşak ve kuru bir bezle temizleyin.

Kesme donanımını kontrol etme



UYARI: Yanlışlıkla çalıştırmayı önlemek için güvenlik anahtarını 0 konumuna getirin, aküyü çıkarın ve en az 5 saniye bekleyin.



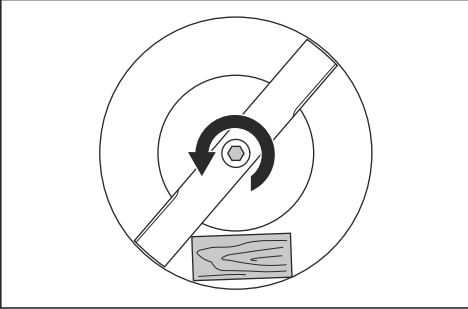
UYARI: Kesme donanımına bakım yaptığınızda koruyucu eldivenler kullanın. Bıçak çok keskindir ve kolaylıkla kesiklere yol açabilir.

1. Kesme donanımında hasar veya çatlak olup olmadığını inceleyin. Hasarlı bir kesme donanımını kesinlikle değiştirin.
2. Hasarlı veya kör olup olmadığını anlamak için bıçağa bakın.

Not: Bilendikten sonra bıçağı dengelemek gerekir. Bıçağın bir servis merkezinde bilenmesini, değiştirilmesini ve dengelenmesini sağlayın. Ürünün durmasına neden olan bir engelle çarparsanız hasarlı bıçağı değiştirin. Bıçağın bilenip bilenmeyeceğini veya değiştirmek gerek gerekmediğine servis merkezinin karar vermesini sağlayın.

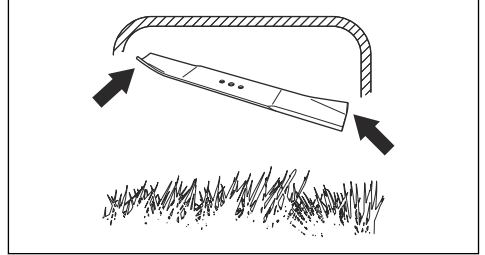
Bıçağın sökülmesi ve değiştirilmesi

1. Bıçağı ahşap bir blokla kilitleyin.

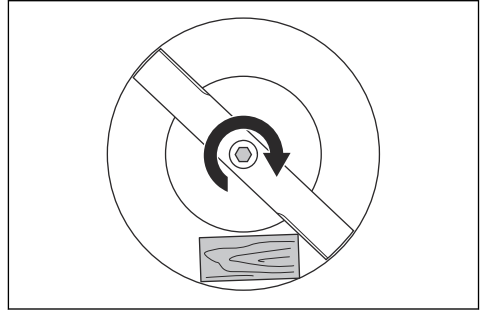


2. Bıçak civatasını sökün.
3. Bıçağı sökün.

4. Bıçak desteğinde ve bıçak civatasında hasar olup olmadığını kontrol edin.
5. Bükülmediğinden emin olmak için motor milini inceleyin.
6. Yeni bıçak taktığımızda bıçağın açılı uçlarını kesme kapağı yönüne çevirin.



7. Bıçağın, motor milinin orta kısmıyla hizalandığından emin olun.
8. Bıçağı ahşap bir blokla kilitleyin. Yaylı rondelayı takıp civatayı ve rondelayı 23–28 Nm'lik torkla sıkın.



9. Bıçağı elinizle çekerek döndürün ve serbestçe döndüğünden emin olun.



UYARI: Ağır hizmet tipi eldiven kullanın. Bıçak çok keskindir ve kolaylıkla kesiklere yol açabilir.

10. Bıçağı test etmek için ürünü çalıştırın. Bıçak doğru bir şekilde takılmadıysa üründe titreşim olur veya kesme işleminin sonucu başarısızdır.

Sorun giderme

Akü

Aküdeki LED	Olası arızalar	Olası prosedür
Yeşil LED yanıp sönüyor	Akü voltajı düşüktür	Aküyü şarj edin. Bkz. <i>Aküyü şarj etme sayfa: 687.</i>

Aküdeki LED	Olası arızalar	Olası prosedür
Hata LED'i yanıp sönüyor	Akünün gücü zayıftır	Aküyü şarj edin. Bkz. <i>Akü sayfada: 691.</i>
	Çalışma ortamındaki sıcaklık çok yüksek veya çok düşüktür	Aküyü -10°C ile 40°C arasındaki sıcaklıklarda kullanın.
	Aşırı voltaj	Şebeke voltajının, ürünün nominal değerler plaka-sındakiyle aynı olduğundan emin olun. Aküyü şarj cihazından çıkarın. 5 saniye bekleyin ve aküyü şarj etmeyi tekrar deneyin. Sorun devam ederse yetkili bir servis noktasıyla görüşün.
Hata LED'i yanıyor	Hücre farkı çok fazla (1 V)	Onaylı bir servis noktasıyla görüşün.

Akü şarj cihazı

Akü şarj cihazındaki LED	Olası arızalar	Olası prosedür
Hata LED'i yanıp sönüyor	Çalışma ortamındaki sıcaklık çok yüksek veya çok düşüktür	Akü şarj cihazını 5°C ile 40°C arasındaki sıcaklıklarda kullanın.
Hata LED'i yanıyor		Onaylı bir servis noktasıyla görüşün

Kontrol paneli

Tuş takımı	Hata kodu (Yanıp sönme sayısı)	Olası arızalar	Olası işlem
Hata LED'i yanıp sönüyor	3	Motor aşırı yüklüdür	Kesme yüksekliğini artırın. Bkz. <i>Kesme yüksekliğini ayarlama sayfada: 686.</i>
	5	Motor devri çok düşüyor ve motor duruyor	
	10	Motor denetleyicisi çok sıcak	Motoru durdurun ve soğuyana kadar bekleyin
	2	Bıçak engelleniyor	Yanlışlıkla çalıştırmayı önlemek için güvenlik anahtarını 0 konumuna getirin, aküyü çıkarın ve en az 5 saniye bekleyin. Bıçağın rahat dönebildiğinden emin olun. Sorun devam ederse yetkili bir servis noktasıyla görüşün
	9	Akü hatası oluştu veya akü sinyali yok	Aküyü ürüne doğru şekilde yerleştirin ve akü konektörünü kontrol edin. Aküdeki hata LED'inin yanıp sönmesi halinde: Bkz. <i>Akü sayfada: 687.</i>
Ürün duruyor	8	Akünün gücü zayıftır	Aküyü şarj edin. Bkz. <i>Aküyü şarj etme sayfada: 687.</i>
	0	Akü konektörü arızası	Akü konektörünü kontrol edin
Diğer hatalar	Başka hatalar oluşursa güvenlik anahtarını 0'a çevirin, aküyü çıkarın ve onaylı bir servis noktasıyla görüşün.		

Taşıma, depolama ve atma

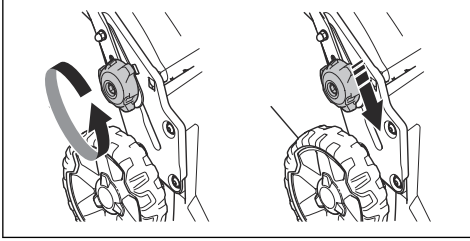
Giriş



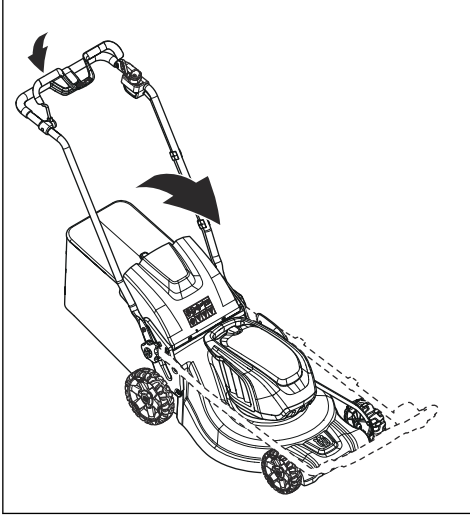
UYARI: Taşıma sırasında yanlışlıkla çalıştırmayı önlemek için güvenlik anahtarını "0" konumuna getirin, aküyü çıkarın ve en az 5 saniye bekleyin.

Ürünü nakliye konumuna getirme

1. Alt düğmeleri gevşetin.
2. Düğmeleri ürünün sol ve sağ tarafındaki girintilerin alttaki ucuna getirin.



3. Kolu öne doğru katlayın.



4. Çim toplama sepetini çıkarın.

Taşıma

- Ürün içindeki Lityum iyon aküler Tehlikeli Maddeler Kanunu gerekliliklerine tabidir.
- Ticari amaçlı taşımalarda, paketteki ve etiketlerdeki özel gerekliliklere uyulmalıdır.

- Ürünü taşıma için hazırlarken tehlikeli malzeme yönetmeliklerine uyduğunuzdan emin olun. Yerel yönetmelikler uygulanabilir.
- Ürünü taşıırken aküyü kesinlikle çıkarın.
- Akü konektörlerine bant yapıştırın ve taşıma sırasında akünün hareket edemeyeceğinden emin olun.
- Taşıma sırasında ürünü bağlayın.

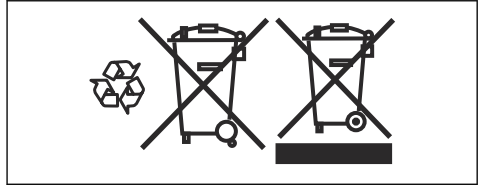
Saklama

- Ürünü depolarken aküyü kesinlikle çıkarın.
- Kazaları önlemek için depolama sırasında akünün ürüne bağlı olmadığından emin olun.
- Akü şarj cihazını kapalı ve kuru bir alanda tutun.
- Aküyü ve akü şarj cihazını, nem veya don olmayan kuru bir alanda tutun.
- Depolama sırasında aküyü şarj cihazından ayırın.
- Aküyü, statik elektrik oluşabilecek yerlerde tutmayın. Aküyü metal bir kutuda tutmayın.
- Aküyü, sıcaklığın 5°C ile 25°C arasında olduğu ve güneş ışığı almayan yerlerde tutun.
- Akü şarj cihazını, sıcaklığın 5°C ile 45°C arasında olduğu ve güneş ışığı almayan yerlerde tutun.
- Uzun süreli depolamadan önce akünün %30 - %50 dolu olduğundan emin olun.
- Ürünü, aküyü ve akü şarj cihazını, çocukların ve onaylı olmayan kişilerin erişemeyeceği kilitli bir alanda tutun.
- Uzun süreli depolamadan önce ürünü temizleyin ve ürüne eksiksiz bir bakım yapın.

Atma

Ürün veya ürün ambalajı üzerinde bulunan semboller, bu ürünün evsel atık olarak değerlendirilemeyeceğini belirtir. Elektrikli ve elektronik ekipman, kurtarma için uygun bir geri dönüşüm istasyonuna gönderilmelidir.

Bu ürüne doğru önemin verilmesini sağlayarak, çevreye ve insanlara olabilecek potansiyel negatif etkisini önlemeye yardımcı olabilirsiniz, aksi takdirde bu ürünün yanlış atık yönetimi durumunda negatif etkiler meydana gelebilir. Bu ürünün geri dönüşümü hakkında daha ayrıntılı bilgi için belediyenize, mahallenizdeki atık hizmetine veya ürünü satın aldığınız mağazaya danışın.



Teknik veriler

Teknik veriler

	LC 247IX/LC 247I	LC 347IVX/LC 347IV	LC 353iVX/LC 353iV
Kesme motoru			
Motor tipi	BLDC (fırçasız) 36V	BLDC (fırçasız) 36V	BLDC (fırçasız) 36V
Motor devri – SavE, dev/dak.	2600	2600	2600
Motor devri – Nominal, dev/dak.	3000	3000	3000
Motor devri – Yüksek yük, dev/dak.	3500	3500	3500
Motor çıkışı – maks. kW	0,96	0,96	1,05
Motor çıkışı – Nominal, kW	0,75	0,75	0,9
Tahrik motoru			
Motor çıkışı – Nominal, kW	Geçerli değil	0,25	0,25
Kendi kendine yürüme hızı, km/sa.	Geçerli değil	3,0-4,5	3,0-4,5
Devir ayar seviyeleri	Geçerli değil	4	4
Ağırlık			
Aküsüz ağırlık, kg	24	26	28
Akü			
Akü tipi	Husqvarna Akü Serisi	Husqvarna Akü Serisi	Husqvarna Akü Serisi
Akü çalışma süresi			
Bir adet Husqvarna 5,2 Ah akü (Bli200) ile birlikte SavE etkin durumdayken dakika cinsinden akü çalışma süresi (serbest çalışma).	43	43	32
Bir adet Husqvarna 5,2 Ah akü (Bli200) ile birlikte standart mod etkin durumdayken dakika cinsinden akü çalışma süresi (serbest çalışma).	30	30	20
Gürültü yayma ⁷⁹			
Ses gücü seviyesi, ölçülmüş dB (A)	94	94	97
Ses gücü seviyesi, L _{WA} dB (A) garantili	95	95	98
Ses seviyeleri ⁸⁰			
Operatörün kulağındaki ses basıncı düzeyi, dB (A)	82	82	86
Titreşim seviyeleri ⁸¹			
Kol, m/s ²	0,42	0,42	2,64

⁷⁹ 2000/14/AT sayılı AT direktifi uyarınca ses gücü (L_{WA}) olarak çevrede ölçülen gürültü yayma seviyesi.

⁸⁰ Ses basıncı düzeyi için bildirilen verilerdeki tipik istatistik dağılımı (standart sapma) 1,2 dB (A) şeklindedir.

⁸¹ Titreşim düzeyi için bildirilen verilerin tipik istatistik dağılımı (standart sapması) 0,2 m/s² şeklindedir. Titreşim standardı EN 60335-2-77:2017 bölüm 20.105

	LC 247IX/LC 247I	LC 347IVX/LC 347IV	LC 353IVX/LC 353IV
Kesme donanımı			
Kesme yüksekliği, mm	20-75 mm	20-75 mm	20-75 mm
Kesme genişliği, cm	47	47	53
Bıçak Standardı	Toplama 5905934-10	Toplama 5905934-10	Toplama 5940757-10
Bıçak aksesuarı	Malçlama 5907010-10	Malçlama 5907010-10	Malçlama 5950072-10
Çim toplama sepeti kapasitesi, litre	55	55	60

Bluetooth® için radyo frekansı verileri	LC 247IX	LC 347IVX	LC 353IVX
Frekans bandı, GHz	2,4-2,4835	2,4-2,4835	2,4-2,4835
Çıkış gücü, maks. dBm	4	4	4

Onaylı aküler	Tip	Akü kapasitesi, Ah	Voltaj, V	Ağırlık, lb/kg
BLi20	Lityum iyon	4,0	36	2,6/1,2
BLi30	Lityum iyon	7,7	36	4,2/1,9
BLi200	Lityum iyon	5,2	36	2,8/1,3
BLi300	Lityum iyon	9,4	36	4,1/1,9

Belirtilen aküler için onaylı şarj cihazları, BLi	Giriş voltajı, V	Frekans, Hz	Güç, W
QC80	100-240	50-60	80
QC80F	12	0	80
QC250	100-240	50-60	250
QC330	100-240	50-60	330
QC500	100-240	50-60	500

AT Uyumluluk Bildirimi

AT Uyumluluk Bildirimi

Husqvarna AB, SE-561 82 Huskvarna, İsveç, tel.: +46-36-146500, 2018 yılı ve sonrası seri numaralı **Husqvarna LC 247i, LC 247iX, LC 347iV, LC 347iVX, LC 353iV, LC 353iVX çim biçme makinesinin** KONSEY DİREKTİFİ gereksinimleriyle uyumlu olduğunu beyan eder:

- 8 Haziran 2011 tarihli ve **2011/65/AB** sayılı "belirli tehlikeli maddelerin kullanımının kısıtlanmasına" ilişkin direktif
- 17 Mayıs 2006 tarihli ve **2006/42/AT** sayılı "makinelere ilgili" direktif
- 8 Mayıs 2000 tarihli ve **2000/14/AT** sayılı "çevredeki gürültü emisyonları ile ilgili" direktif

Gürültü yayma ile ilgili bilgi için bkz. *Teknik veriler sayfa: 694.*

Aşağıdaki standartlar uygulanmıştır:

EN/IEC 60335-1, EN/IEC 60335-2-77, EN/IEC 62233, EN 55014-1, EN ETSI 301 489-7 v1.3.1, EN 61000-6, ETSI EN 61000-6-1, EN 300 328 BT low energy Tx/Rx, EN 50581

Başka şekilde belirtilmemişse yukarıda listelenen standartlar en son yayınlanan sürümlerdir.

Onaylanmış kuruluş: **0404, RISE SMP Svensk Maskinprovning AB, Box 7035, SE-750 07 Uppsala**

2000/14/AT direktifindeki Ek VI'ya göre uyumluluk değerlendirmesi gerçekleştirilmiştir.

Huskvarna, 2020-04-22



Claes Losdal, Geliştirme Müdürü/Bahçe Ürünleri (Husqvarna AB yetkili temsilcisi ve teknik dokümantasyon sorumlusu)

Türk ithalat şirketi daha fazla bilgi için temas edilecek:
Çullas Orman Bahçe ve Tarım Mak. San. Tic. A.Ş.
Suadiye Mh. Bağdat Cd. No:455/4
Kadıköy – 34740 İstanbul / Türkiye
Telefon: +90 216 519 88 82
Faks: +90 216 519 88 78
info@cullas.com.tr



Kayıtlı ticari markalar

Bluetooth® marka ismi ve logoları, *Bluetooth SIG, inc.* mülkiyetinde olan tescilli ticari markalardır ve Husqvarna, bu tür markaları ruhsatlı olarak kullanmaktadır.

Зміст

Вступ.....	697	Усунення несправностей.....	718
Безпека.....	701	Транспортування, зберігання й утилізація.....	720
Збирання.....	710	Технічні характеристики.....	721
Експлуатація.....	712	Декларація відповідності ЄС.....	724
ТЕХНІЧНЕ ОБСЛУГОВУВАННЯ.....	716	Зареєстровані товарні знаки.....	724

Вступ

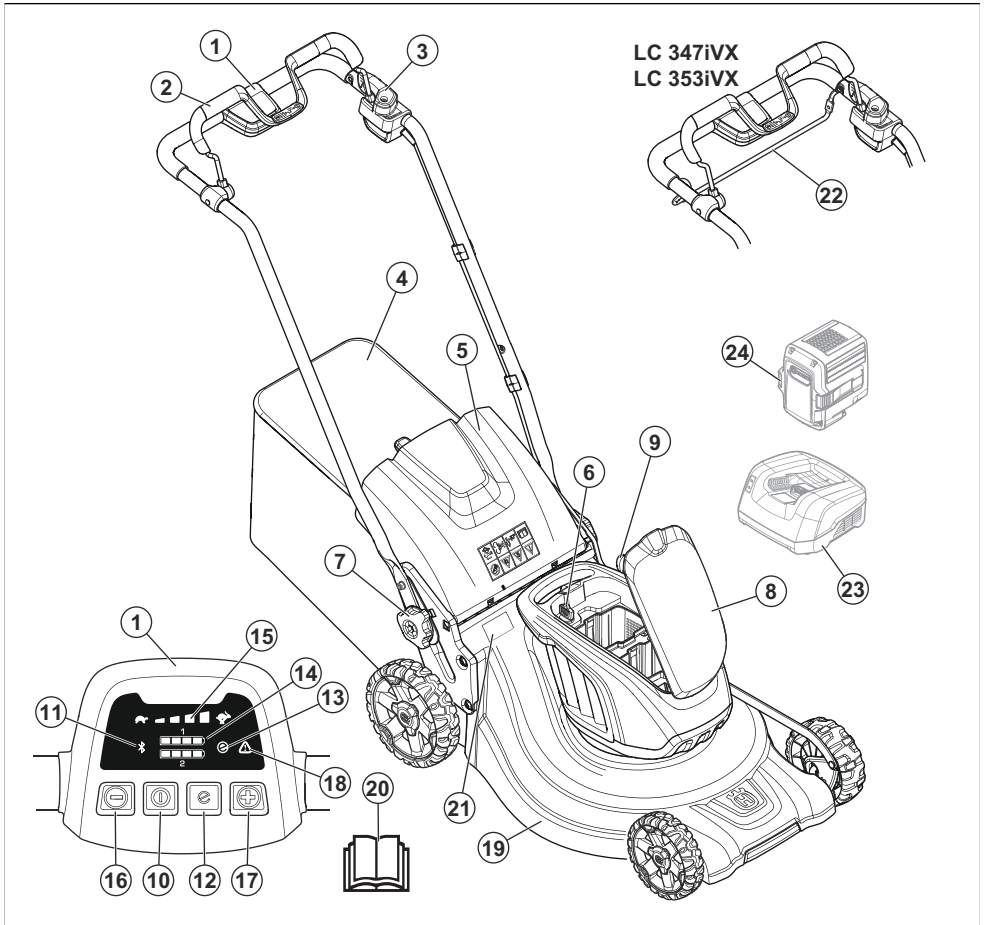
Опис виробу

Цей виріб – обертальна газонокосарка, керована пішим оператором. Трава збирається в травозбірник. Для того, щоб трава викидалася ззаду, приберіть травозбірник. Для того, щоб перетворити траву на добриво, встановіть приладдя для мульчування (аксесуар).

Призначення

Користуйтеся виробом для зрізання трави. Забороняється використовувати виріб для інших завдань.

Огляд виробу



- | | |
|--|--|
| 1. Панель керування | 15. Індикатор швидкості (LC 347iV, LC 347iVX, LC 353iV, LC 353iVX) |
| 2. Ручка зупинення двигуна | 16. Кнопка зменшення швидкості (LC 347iV, LC 347iVX, LC 353iV, LC 353iVX) |
| 3. Обмежувач запуску | 17. Кнопка збільшення швидкості (LC 347iV, LC 347iVX, LC 353iV, LC 353iVX) |
| 4. Травозбірник | 18. Світлодіодний індикатор помилки |
| 5. Задній кожух | 19. Кожух леза |
| 6. Ключ безпеки | 20. Посібник користувача |
| 7. Фіксуюча головка рукоятки | 21. Табличка з паспортними даними |
| 8. Кришка акумулятора | 22. Привідна скоба (LC 347iV, LC 347iVX, LC 353iV, LC 353iVX) |
| 9. Регулятор висоти різання | 23. Зарядний пристрій (додатковий аксесуар) |
| 10. Кнопка «УВИМК./ВИМКН.» | 24. Акумулятор (додатковий аксесуар) |
| 11. Індикатор бездротового зв'язку <i>Bluetooth®</i> | |
| 12. Кнопка Save | |
| 13. Індикатор режиму Save | |
| 14. Індикатор стану акумулятора | |

Символи на виробі



ПОПЕРЕДЖЕННЯ!
Будьте обережні й використовуйте виріб правильно. Цей виріб може призвести до отримання серйозних травм або смерті оператора чи сторонніх осіб.



Перед користуванням виробом уважно прочитайте посібник користувача й переконайтеся, що ви зрозуміли всі вказівки.



Сторонні особи та тварини повинні знаходитися на безпечній відстані від робочої зони.



Остерігайтеся рикошету й об'єктів, які можуть вилітати з-під виробу.



Увага! Тримайте руки та ноги на відстані від леза, що обертається.



Увага! Тримайте руки та ноги на відстані від деталей, що обертаються.



Перед виконанням робіт із ремонту чи технічного обслуговування завжди виймайте ключ безпеки.



Захищайте від дощу.



Цей виріб або його пакування не можна утилізувати разом із побутовими відходами. Утилізацію необхідно проводити на підприємстві з переробки відходів електричного й електронного обладнання.



Виріб відповідає вимогам застосовних директив ЄС.



Виріб відповідає вимогам застосовних директив Митного союзу ЄАЕС.



Виріб відповідає вимогам застосованих директив УкрСЕПРО.



Виріб відповідає вимогам застосованих директив RCM. Застосовується тільки для Австралії / Нової Зеландії



Випромінювання шуму в навколишнє середовище виміряно згідно з європейською директивою 2000/14/ЕС і Законом про збереження навколишнього середовища (контроль шуму) 2017 р. Нового Південного Уельсу. Дані про випромінювання шуму вказані на паспортній табличці пристрою, а також у розділі технічних характеристик.

IPX1

Виріб має захист від потрапляння крапель.

Порядок запуску: натисніть кнопку «УВІМК./ВИМК.», відпустіть обмежувач запуску й натисніть на ручку зупинення двигуна.



Щоб зупинити двигун, відпустіть ручку зупинення двигуна.



Повільно



Швидко



Сканований код

Зверніть увагу: Інші позначення на виробі відповідають вимогам спеціальних сертифікатів для певних ринків.

Маркування на виробі



Тримайте руки й ноги на безпечній відстані від лез, що обертаються.

Відповідальність за якість продукції

Згідно із законом про відповідальність за якість продукції ми не несемо відповідальності за будь-які

пошкодження, спричинені роботою наших виробів, якщо:

- виріб було неправильно відремонтовано;
- виріб було відремонтовано із використанням деталей, виготовлених не виробником або не затверджених ним;
- виріб обладнано аксесуаром, виготовленим не виробником або не затвердженим ним;
- виріб було відремонтовано в неавторизованому сервісному центрі або неавторизованою компанією;

Безпека

Визначення щодо безпеки

Попередження, застереження й примітки служать для наголошення на особливо важливих положеннях посібника.



ПОПЕРЕДЖЕННЯ:

Вказує на те, що в разі порушення інструкцій, наведених у цьому посібнику, існує небезпека поранення або смерті оператора чи інших осіб, що знаходяться поруч.



УВАГА: Вказує на те, що в разі порушення інструкцій, наведених у цьому посібнику, існує небезпека пошкодження виробу, інших матеріалів або навколишніх об'єктів.

Зверніть увагу:

Використовується для надання додаткової

інформації щодо певної ситуації.

Загальні правила техніки безпеки



ПОПЕРЕДЖЕННЯ:

Перш ніж розпочати використання виробу, уважно прочитайте наведені нижче попередження.

- Цей виріб може бути небезпечним у разі неправильного або недбалого використання. Порушення правил техніки безпеки може призвести до травм або смерті.
- Під час роботи цього виробу утворюється електромагнітне поле. Це поле може за деяких умов взаємодіяти з активними чи пасивними медичними імплантатами. Щоб зменшити ризик тяжких або смертельних травм, рекомендуємо особам із

медичними імплантатами проконсультуватися зі своїм лікарем і виробником медичного імплантату перед початком експлуатації цього виробу.

- Завжди будьте обережні та керуйтеся здоровим глуздом. Якщо ви маєте сумніви щодо того, як користуватися виробом у конкретній ситуації, припиніть роботу та проконсультуйтеся з дилером Husqvarna.
- Пам'ятайте, що оператор несе відповідальність за нещасні випадки, в результаті яких постраждали інші особи або їхнє майно.
- Підтримуйте виріб чистим. Переконайтеся, що знаки та наклейки знаходяться в читабельному стані.
- У жодному разі не дозволяйте користуватися приладом дітям або людям, які не ознайомилися з цим посібником. Вік оператора може обмежуватися місцевими нормами
- Завжди наглядайте за особами з обмеженими фізичними чи розумовими можливостями, що використовують виріб. Біля

виробу, що працює, повинна завжди знаходитися відповідальна доросла особа.

- Забороняється використовувати виріб, якщо ви втомлені, хворі, чи перебуваєте під впливом наркотиків, алкоголю або медикаментів. Ці фактори мають негативний вплив на ваш зір, зосередженість, свідомість та координацію рухів.
- Забороняється використовувати виріб у разі його несправності.
- Забороняється зміни в конструкцію виробу чи використовувати виріб, якщо є підозра, що його було змінено сторонніми особами.

Безпека в робочій зоні



ПОПЕРЕДЖЕННЯ:

Перш ніж розпочати використання виробу, уважно прочитайте наведені нижче попередження.

- Перед використанням виробу приберіть з робочої зони всі гілки, лозу та каміння.

- Предмети, що потраплять на різальне обладнання, можуть відлетіти та поранити сторонніх осіб або пошкодити інші предмети. Сторонні особи та тварини повинні знаходитися на безпечній відстані від виробу.
- Забороняється використовувати виріб за поганої погоди на кшталт туману, дощу, сильного вітру, значного холоду або грози. Робота в погану погоду або на вологих ділянках виснажує. Погана погода може стати причиною небезпечних умов роботи, таких як слизькі поверхні.
- Бережіться осіб, предметів та ситуацій, які можуть зашкодити безпечній роботі виробу.
- Бережіться перешкод на кшталт коріння, каміння, гілок, ям або канав. Висока трава може приховувати перешкоди.
- Скошування трави на схилах може бути небезпечним. Не косіть занадто круті схили. Не використовуйте виріб на ділянках із нахилом понад 15°
- Будьте вкрай обережні, розвертаючись на схилах. Використовуйте виріб на схилах у горизонтальному напрямку. Не рухайтесь вгору і вниз.
- Будьте обережні, наближаючись до прихованих кутів та предметів, які можуть закривати поле зору.

Техніка безпеки



ПОПЕРЕДЖЕННЯ:

Перш ніж розпочати використання виробу, уважно прочитайте наведені нижче попередження.

- Використовуйте виріб лише для скошування трав'яних газонів. Заборонено використовувати виріб для інших цілей.
- Використовуйте засоби індивідуального захисту. Див. *Засоби індивідуального захисту на сторінці 705.*
- Дізнайтеся, як швидко зупинити двигун в екстреній ситуації.
- Не використовуйте виріб під дощем або в умовах підвищеної вологості. Потраплення води у виріб

- збільшує загрозу ураження електричним струмом.
- Забороняється використовувати виріб без правильно встановленого леза та всіх кожухів. Неправильно встановлене лезо може від'єднатися й призвести до травм.
 - Слідкуйте, щоб лезо не зачіпляло сторонні предмети на кшталт каміння та коріння. Це може призвести до пошкодження леза та згинання вала двигуна. Зігнута вісь викликає значні вібрації та призводить до ризику від'єднання леза від виробу.
 - У разі удару леза об будь-який сторонній предмет чи появи вібрації негайно зупиніть виріб. Зупиніть двигун, переведіть запобіжник у положення «0» і вийміть акумулятор. Перевіряйте виріб на наявність пошкоджень. Виправляйте пошкодження або здавайте виріб на ремонт в авторизований центр обслуговування.
 - Забороняється закріплювати ручку зупинення двигуна на рукоятці, коли працює двигун.
 - Поставте виріб на тверду рівну поверхню та увімкніть його. При цьому лезо не повинно торкатися землі або інших предметів.
 - Під час роботи з виробом завжди залишайтеся позаду нього.
 - Під час роботи з виробом усі колеса мають залишатися на землі, а обидві руки треба тримати на ручці. Тримайте руки та ноги на відстані від лез, що обертаються.
 - Не нахиляйте виріб, коли двигун увімкнений.
 - Будьте обережні під час руху у зворотному напрямку.
 - Забороняється піднімати виріб, коли двигун увімкнений. Якщо треба підняти виріб, спочатку зупиніть двигун, переведіть запобіжник у положення «0» і вийміть акумулятор.
 - Не рухайтеся у зворотному напрямку під час роботи з виробом.
 - Вимикайте двигун під час руху через ділянки без трави на кшталт доріжок із гравію, каменю або асфальту.
 - Не бігайте з виробом, коли двигун увімкнений. Під час роботи з виробом необхідно

ходити зі звичайною швидкістю.

- Вимикайте двигун, перш ніж змінювати висоту різання. Забороняється виконувати регулювання при ввімкненому двигуні.
- Забороняється залишати виріб без нагляду коли двигун працює. Зупиніть двигун та переконайтеся, що ріжуче обладнання не обертається.

Правила техніки безпеки під час використання

Засоби індивідуального захисту



ПОПЕРЕДЖЕННЯ:

Перш ніж розпочати використання виробу, уважно прочитайте наведені нижче попередження.

- Особисте захисне спорядження не може повністю усунути небезпеку травмування, але при нещасному випадку воно знизить ступінь важкості травми. Дозвольте дилеру допомогти вам із вибором підходящого обладнання.
- Використовуйте взуття із захистом від ковзання для

роботи у важких умовах.

Забороняється

використовувати відкрите взуття або працювати взагалі без нього.

- Використовуйте цупкі довгі штани.
- За потреби використовуйте рукавички, наприклад, якщо необхідно приєднати, оглянути або почистити різальне обладнання.

Механізми безпеки на пристрої



ПОПЕРЕДЖЕННЯ:

Перш ніж розпочати використання виробу, уважно прочитайте наведені нижче попередження.

- Не використовуйте виріб із пошкодженими захисними пристроями.
- Регулярно перевіряйте захисні пристрої. У випадку пошкодження захисних пристроїв зверніться до центру обслуговування Husqvarna.

Перевірка кожуха леза

Кожух леза частково поглинає вібрацію виробу та знижує

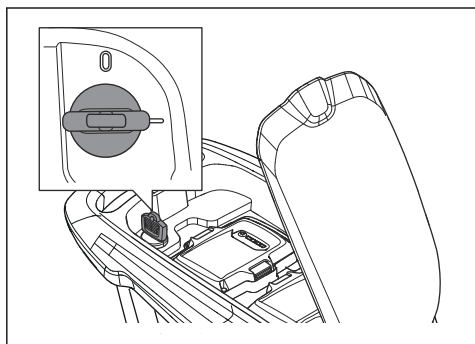
небезпеку травмування лезом.

- Огляньте кожух леза та переконайтеся, що він не має пошкоджень на кшталт тріщин.

Ключ безпеки

Ключ безпеки знаходиться під кришкою акумуляторного відсіку. Ключ безпеки під'єднує акумулятор, який у свою чергу живить двигун.

- Для перевірки ключа безпеки запустіть і зупиніть двигун.
- Якщо ключ безпеки справний, двигун заводиться, лише якщо повернути ключ у положення «1».

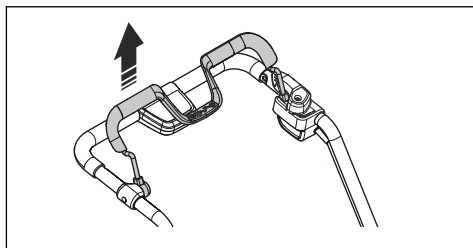


Ручка зупинення двигуна

Ручка зупинення двигуна зупиняє двигун. За

відпускання ручки зупинення двигуна він зупиняється.

Щоб перевірити роботу гальма двигуна, запустіть двигун, а потім відпустіть ручку зупинення. Якщо двигун не зупиняється протягом 3 секунд, необхідно передати виріб в авторизований центр обслуговування Husqvarna для налаштування гальма двигуна.

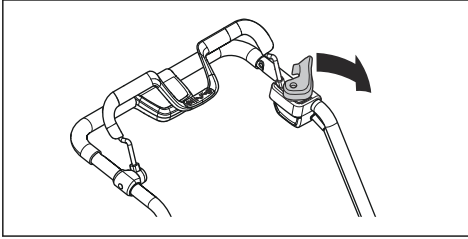


Перевірка обмежувача запуску

Перевірте обмежувач запуску, щоб переконаватися, що він дійсно блокує роботу двигуна.

1. Перемістіть ручку зупинення двигуна в напрямку рукоятки. Обмежувач запуску блокує рух.

2. Потягніть обмежувач запуску.



3. Відпустіть обмежувач запуску та переконайтеся, що він повертається до початкового положення.

Заходи безпеки під час роботи з акумуляторами



ПОПЕРЕДЖЕННЯ:

Перш ніж розпочати використання виробу, уважно прочитайте наведені нижче попередження.

- Для живлення виробів Husqvarna необхідно використовувати лише акумулятори Husqvarna. Щоб уникнути травмування, забороняється використовувати акумулятор в якості джерела живлення для інших приладів.
- Не використовуйте одноразові батареї.
- Небезпека ураження електричним струмом.
- Забороняється під'єднувати клеми акумулятора до ключів, монет, гвинтів або інших металевих предметів. Це може призвести до короткого замикання в акумуляторі.
- Забороняється вставляти предмети у вентиляційні отвори акумулятора.
- Тримайте акумулятор подалі від прямих сонячних променів, джерел тепла та відкритого вогню. Акумулятор може вибухнути, що призведе до опіків та / або хімічних опіків.
- Бережіть акумулятор від дощу та вологи.
- Захищайте акумулятор від впливу мікрохвиль чи високого тиску.
- Забороняється розбирати чи ламати акумулятор.
- У разі витікання рідини з акумулятора слідкуйте, щоб вона не потрапила на тіло чи в очі. Якщо рідина потрапила на шкіру, промийте вражену ділянку великою кількістю води та зверніться за медичною допомогою.
- Акумулятор дозволяється використовувати за температури від $-10\text{ }^{\circ}\text{C}$ до $+40\text{ }^{\circ}\text{C}$.

- Заборонено мити батарею чи зарядний пристрій водою. Див. *Чищення акумулятора та зарядного пристрою на сторінці 717.*
- Не використовуйте несправний чи пошкоджений акумулятор.
- Зберігайте акумулятор подалі від металевих предметів на кшталт цвяхів, монет, ювелірних виробів.

Заходи безпеки при роботі із зарядним пристроєм



ПОПЕРЕДЖЕННЯ:

Перш ніж розпочати використання виробу, уважно прочитайте наведені нижче попередження.

- Для заряджання замінних акумуляторів Husqvarna необхідно використовувати лише зарядні пристрої QC.
- Ризик короткого замикання й ураження електричним струмом. Забороняється вставляти предмети у вентиляційні отвори зарядного пристрою. Заборонено розбирати зарядний пристрій. Не торкайтеся металевих предметів контактами зарядного пристрою. Використовуйте сертифіковані електричні розетки.
- Під час роботи цього виробу утворюється електромагнітне поле. Це поле може за деяких умов взаємодіяти з активними чи пасивними медичними імплантатами. Щоб зменшити ризик тяжких або смертельних травм, рекомендуємо особам із медичними імплантатами проконсультуватися зі своїм лікарем і виробником медичного імплантату перед початком експлуатації цього виробу.
- Регулярно перевіряйте шнур живлення зарядного пристрою на предмет пошкоджень та тріщин.
- Забороняється підіймати зарядний пристрій, тримаючи його за шнур живлення. Щоб від'єднати зарядний пристрій від настінної розетки, витягніть штепсельну вилку. У жодному разі не тягніть за шнур живлення.
- Тримайте шнур живлення та подовжувачі на безпечній відстані від води, мастил і гострих предметів.

Переконайтеся, що кабель не здавлено дверима, огорожею або іншими предметами. У такому випадку зарядний пристрій може опинитися під напругою.

- Заборонено мити зарядний пристрій водою.
- Діти віком від 8 років та особи з обмеженими фізичними, сенсорними або психічними можливостями або особи, які не мають досвіду та знань, можуть використовувати зарядний пристрій лише під наглядом або після належного інструктажу щодо безпечного його використання, за умови розуміння ними пов'язаних із таким використанням ризиків. Дітям забороняється грати із зарядним пристроєм. Дітям забороняється чистити зарядний пристрій і здійснювати його технічне обслуговування без нагляду.
- Не намагайтеся заряджати одноразові батареї за допомогою зарядного пристрою.
- Забороняється використовувати зарядний пристрій поблизу

легкозаймистих або корозійних матеріалів. Заборонено накривати зарядний пристрій. При появі диму чи вогню витягніть штепсель зарядного пристрою з розетки.

- Не використовуйте зарядний пристрій з ознаками пошкодження.
- Заряджати акумулятор слід тільки в добре провітрюваних приміщеннях та подалі від сонячного світла. Не заряджайте акумулятор у вологому середовищі.

Правила техніки безпеки під час обслуговування



ПОПЕРЕДЖЕННЯ:

Перш ніж розпочати використання виробу, уважно прочитайте наведені нижче попередження.

- Для запобігання ненавмисному запуску двигуна під час обслуговування переведіть ключ безпеки в положення «0» та вийміть акумулятор. Перед початком обслуговування зачекайте щонайменше 5 секунд.

- Виконуйте технічне обслуговування правильно, адже це допоможе збільшити термін експлуатації виробу та зменшить небезпеку виникнення нещасних випадків. Доручайте професійний ремонт уповноваженому центру обслуговування. Більш детальну інформацію можна дізнатися в найближчому центрі обслуговування.
- Виконуйте лише те технічне обслуговування, що наведене в цьому посібнику користувача. Більш серйозні роботи повинні виконуватися працівниками сертифікованих центрів обслуговування.
- Під час роботи з різальним обладнанням завжди надягайте міцні рукавиці. Лезо дуже гостре, ним можна легко порізатися.
- Для найкращої продуктивності та безпеки слід підтримувати різальні кромки гострими та чистими.
- Регулярно віддавайте виріб у центр обслуговування, де його будуть перевіряти, робити необхідні налаштування або ремонт.
- Замінюйте пошкоджені, зношені або зламані деталі.
- Дотримуйтеся інструкцій щодо заміни аксесуарів. Користуйтеся аксесуарами лише від виробника обладнання.
- Коли виріб не використовується, зберігайте його окремо від акумулятора та зарядного пристрою в сухому закритому приміщенні. Переконайтеся, що діти та особи без належної підготовки не зможуть отримати доступ до виробу, акумулятора чи зарядного пристрою.

Збирання

Вступ



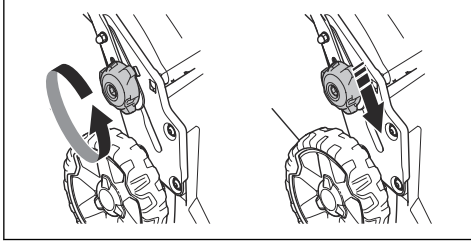
ПОПЕРЕДЖЕННЯ: Перед монтажем виробу необхідно прочитати розділ про заходи безпеки.



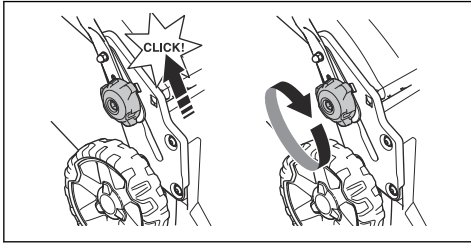
ПОПЕРЕДЖЕННЯ: Щоб запобігти випадковому ввімкненню виробу під час збирання, поверніть ключ безпеки в положення «0», вийміть акумуляторну батарею та почекайте принаймні 5 секунд.

Регулювання ручки

1. Відпустіть нижні фіксувальні головки.
2. Пересуньте головки у нижню частину прорізів зліва та справа виробу.



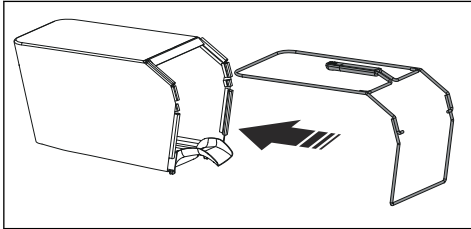
3. Встановіть висоту ручки в одне з двох доступних положень.
4. Пересуньте головки вгору в напрямку ручки, доки вони не зупиняться та ви не почуєте клацання.



5. Надійно затягніть фіксуючі голівки.

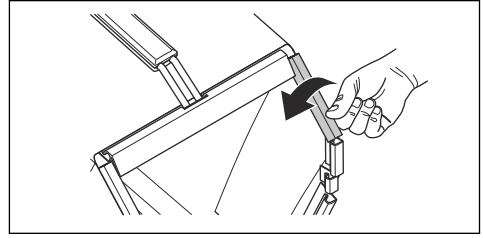
Монтаж травозбірника

1. Встановіть рамку травозбірника на мішок для трави. Твердий бік мішка має бути знизу. Тримайте рукоятку рами зверху мішка для трави.

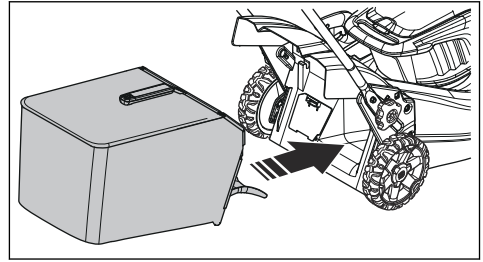


2. Вставте нижню частину рами травозбірника в паз знизу травозбірника.

3. Зафіксуйте мішок для трави на рамі травозбірника за допомогою затискачів.

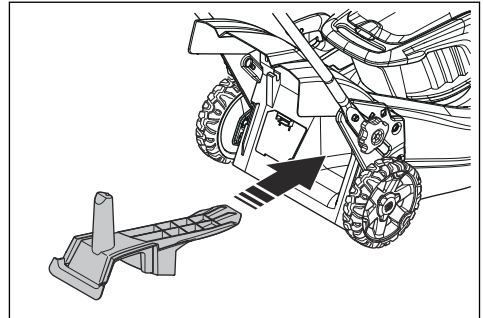


4. Підніміть задню кришку.
5. Під'єднайте травозбірник до верхньої кромки рами.
6. Встановіть нижню частину травозбірника в канал викидання трави.



Монтаж заглушки для мульчування (аксесуар)

1. Підніміть задню кришку і вийміть травозбірник.
2. Вставте заглушку для мульчування в канал викидання.



3. Замініть стандартне лезо на лезо для мульчування, що постачається в комплекті приладдя для мульчування. Див. *Демонтаж та заміна леза на сторінці 718.*

Експлуатація

Вступ



ПОПЕРЕДЖЕННЯ: Перед експлуатацією виробу обов'язково прочитайте й усвідомте зміст розділу про заходи безпеки.

Husqvarna Connect

Husqvarna Connect є безкоштовною програмою для мобільного пристрою. У програмі Husqvarna Connect доступна ціла низка розширених функцій для користування Husqvarna:

- розширена інформація про виріб;
- відомості про деталі й обслуговування виробу, а також довідкова інформація.

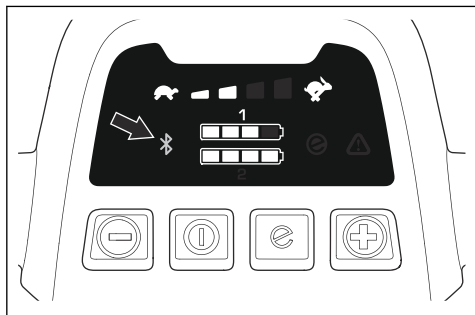
Щоб почати користуватися Husqvarna Connect

1. Завантажте програму Husqvarna Connect на свій мобільний пристрій.
2. Зареєструйтеся в програмі Husqvarna Connect.
3. Виконайте кроки з реєстрації в програмі Husqvarna Connect, щоб під'єднати та зареєструвати виріб.

Bluetooth® інформація (LC 247iX, LC 347iVX, LC 353iVX)

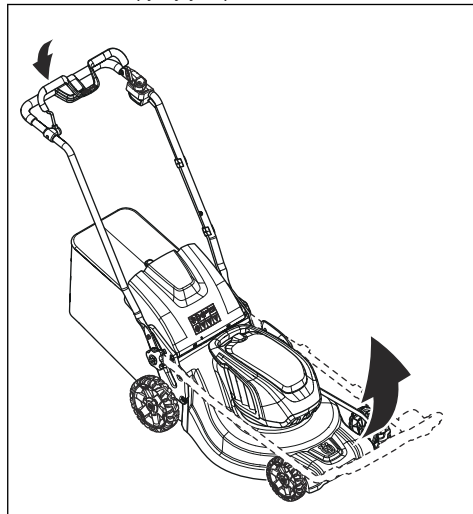
Технологія бездротового зв'язку Bluetooth®

Символ технології бездротового зв'язку *Bluetooth®* з'являється, коли ваш мобільний пристрій підключено до виробу.

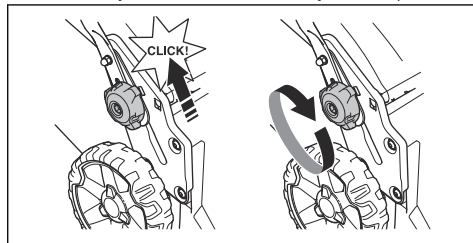


Встановлення виробу в положення для експлуатації

1. Розкладіть ручку у вертикальне положення.



2. Пересуньте головки вгору в напрямку ручки, доки вони не зупиняться та ви не почуєте клацання.



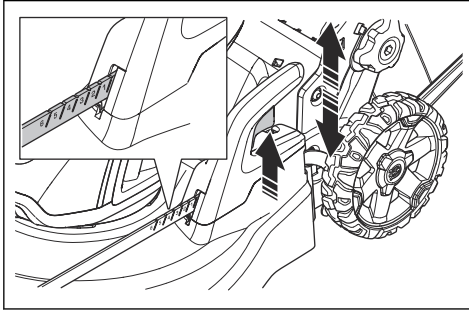
3. Надійно затягніть фіксуючі голівки.

Налаштування висоти різання

Можна встановити 6 різних рівнів висоти різання.

1. Для зменшення висоти різання потягніть важіль регулювання висоти різання вниз.

2. Для збільшення висоти різання потягніть важіль регулювання висоти різання вгору.



УВАГА: Не встановлюйте занадто низьку висоту різання. Леза можуть зачепити землю, якщо поверхня газону буде нерівною.

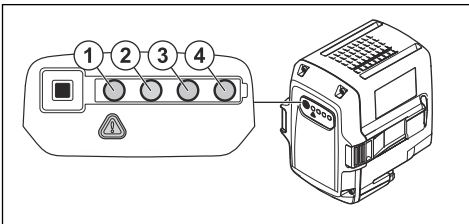
Акумулятор



ПОПЕРЕДЖЕННЯ: Перед використанням акумулятора обов'язково прочитайте й усвідомте зміст розділу про заходи безпеки. Також необхідно прочитати й усвідомити зміст посібника користувача для акумулятора та зарядного пристрою.

Стан акумулятора

На дисплеї відображаються поточний стан заряду акумулятора та можливі проблеми під час його роботи. Поточний стан заряду акумулятора відображається протягом 5 секунд після вимкнення виробу або натискання індикаторної кнопки акумулятора. У разі виникнення будь-якої помилки на дисплеї акумулятора з'являється попереджувальний символ. Див. *Акумулятор на сторінці 718.*



Світлодіодні індикатори	Стан акумулятора
Горять усі світлодіодні індикатори	Акумулятор заряджений повністю (75-100 %)
Горять світлодіодні індикатори 1, 2 та 3	Акумулятор заряджений на 50-75 %.

Світлодіодні індикатори	Стан акумулятора
Горять світлодіодні індикатори 1 та 2	Акумулятор заряджений на 25-50 %.
Горить світлодіодний індикатор 1	Акумулятор заряджений на 0-25 %
Блимає світлодіодний індикатор 1	Акумулятор розряджений. Зарядіть акумулятор

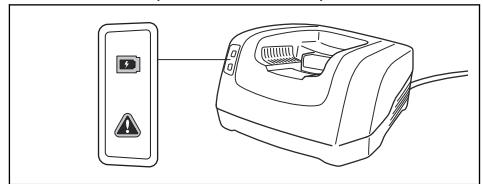
Зарядка акумулятора

Перед першим використанням акумулятор слід зарядити. Акумулятор постачається зарядженим лише на 30 % ємності.

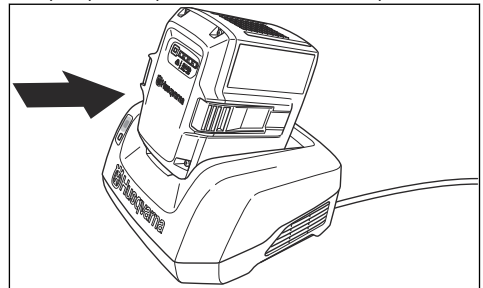
Зверніть увагу: Зарядний пристрій слід під'єднувати лише до джерел електроживлення з напругою та частотою, вказаними на табличці з паспортними даними.

Акумулятор не заряджається, якщо його температура перевищує 50°C. Перед початком заряджання зарядний пристрій зменшує температуру акумулятора.

1. Під'єднайте один кінець шнура живлення зарядного пристрою до його роз'єму.
2. Під'єднайте інший кінець шнура живлення зарядного пристрою до електричної розетки із заземленням. Світлодіод зарядного пристрою блимне один раз зеленим кольором.



3. Встановіть акумулятор у зарядний пристрій. Якщо акумулятор підключено правильно, на зарядному пристрої загоряється зелений індикатор.



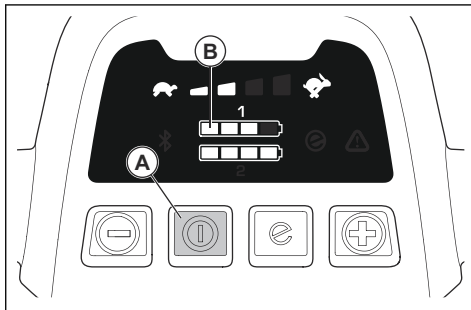
4. Якщо загоряються всі світлодіодні індикатори, це означає, що акумулятор повністю заряджений. Тривалість заряджання акумулятора не повинна перевищувати 24 години.
5. Щоб від'єднати зарядний пристрій із розетки, тримайтеся тільки за штепсель, не тягніть за шнур.
6. Вийміть акумулятор із зарядного пристрою.

Стан заряджання акумулятора

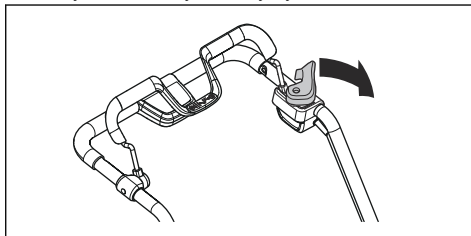
Літій-іонний акумулятор Husqvarna можна заряджати та використовувати за будь-якого рівня зарядки. Акумулятор не буде пошкоджено. Повністю заряджена акумуляторна батарея не втрачає заряд, якщо її залишити в зарядному пристрої.

Світлодіодний дисплей	Стан зарядки
Блимає світлодіодний індикатор 1	0-25 %
Горить світлодіодний індикатор 1, блимає світлодіодний індикатор 2	25-50 %
Горять світлодіодні індикатори 1, 2, блимає світлодіодний індикатор 3	50-75 %
Горять світлодіодні індикатори 1, 2, 3, блимає світлодіодний індикатор 4	75-100 %
Горять світлодіодні індикатори 1, 2, 3, 4	Заряджено повністю

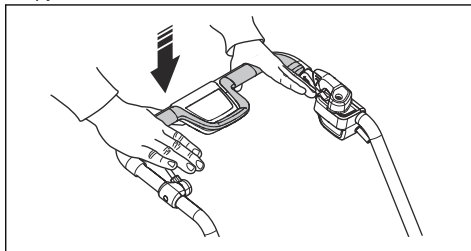
4. Залишайтеся позаду виробу.
5. Натисніть кнопку ввімкнення / вимкнення (А) на панелі керування. Після цього ввімкнеться дисплей. Індикатор стану акумулятора (В) покаже стан заряду двох акумуляторів. Номер акумулятора, який використовується, вказано поряд з індикатором стану акумулятора. У моделях LC 347iV, LC 347iVX, LC 353iV, LC 353iVX на дисплеї також вказано встановлену швидкість.



6. Відпустіть обмежувач запуску.

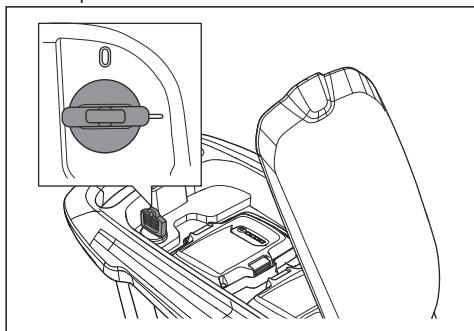


7. Перемістіть ручку зупинення двигуна в напрямку рукоятки.



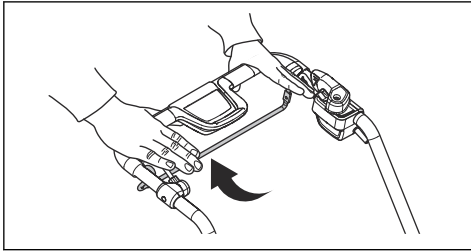
Запуск виробу

1. Відкрийте кришку акумуляторного відсіку.
2. Вставте заряджений акумулятор в один із тримачів акумулятора. За необхідності тривалішого використання вставте другий заряджений акумулятор в інший тримач акумулятора.
3. Поверніть ключ безпеки в положення «1».

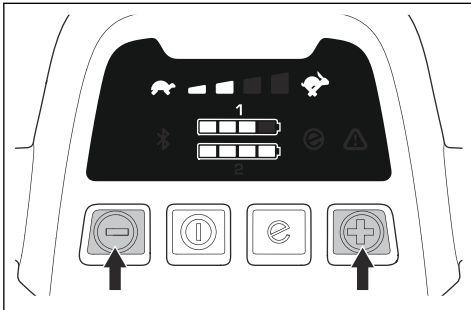


Підключення приводу до коліс LC 347iV, LC 347iVX, LC 353iV, LC 353iVX

- Щоб запустити привід, потягніть привідну скобу в напрямку рукоятки.



- Ви можете перемикатися між 4 рівнями швидкості приводу за допомогою кнопок «+» і «-» на панелі керування.

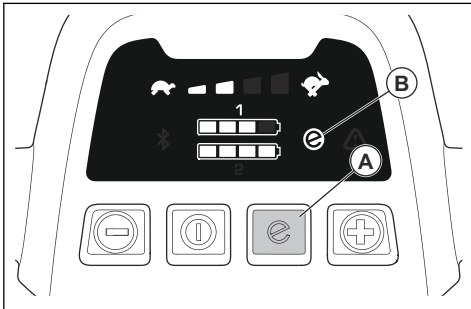


- У разі наближенні до перешкоди відпустіть привідну скобу, щоб розчепити привід.

Використання функції

Виріб оснащений функцією збереження заряду акумулятора (), що дозволяє подовжити час використання.

- Для ввімкнення функції натисніть кнопку (A). Після цього на дисплеї з'явиться символ (B).
- Для вимкнення функції натисніть кнопку ще раз. Після цього символ (B) на дисплеї зникне.



Функція вмикається автоматично в разі, якщо умови поверхні потребують збільшення потужності. Якщо умови поверхні дозволяють, функція знову вмикається автоматично.

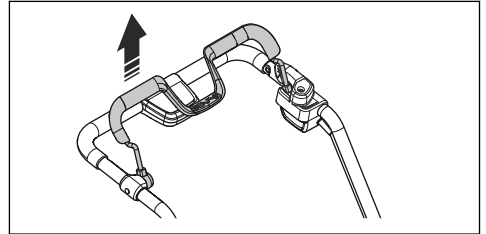
Функція підвищеної потужності

Якщо виріб використовується для зрізання довгої чи вологої трави, двигун автоматично збільшує оберт. Коли необхідність у підвищеній потужності зникає, двигун повертається до роботи в стандартному режимі.

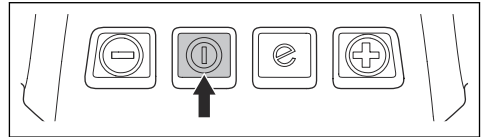
Зупинка виробу

Якщо ви не користуєтесь виробом протягом 10 хвилин, він автоматично зупиняється. Залишаючи виріб без нагляду, завжди повертайте ключ безпеки в положення «0».

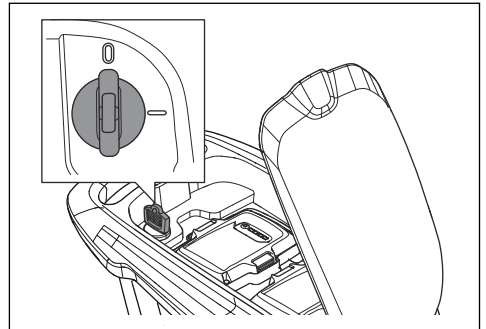
- Для зупинення двигуна відпустіть ручку зупинення двигуна.



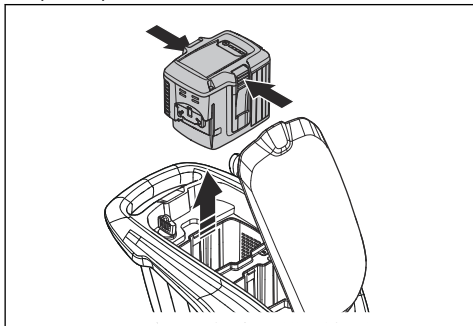
- Натисніть кнопку ввімкнення / вимкнення на панелі керування. Усі світлодіодні індикатори й символи на дисплеї вимкнуться.



- Відкрийте кришку акумуляторного відсіку та поверніть ключ безпеки в положення «0».



4. Щоб вийняти акумулятор, натисніть дві кнопки фіксатора й витягніть його.



5. Якщо рівень заряду акумулятора низький, зарядіть його. Для отримання більш детальної інформації див. *Зарядка акумулятора на сторінці 713.*

- Не скошуйте більше $\frac{1}{3}$ довжини трави. Спочатку треба виконувати скошування з великою висотою різання. Оцініть результат і зменште висоту зрізання на потрібну вам. Якщо трава дуже довга, ведіть газонокосарку повільно і виконайте скошування двічі, якщо це необхідно.
- Косіть щоразу в різних напрямках, щоб на газоні не було смуг.

Скошування трави без травозбірника чи заглушки для мульчування

- Підніміть задню кришку та вийміть травозбірник.
- Зніміть заглушку та лезо для мульчування, якщо вони встановлені.
- Перед використанням виробу закрийте задню кришку.

Під час експлуатації виробу зрізана трава викидається під задньою кришкою.

Забезпечення ефективної роботи

- Завжди користуйтеся гострим лезом. Тупе лезо ріже нерівно, а трава на поверхні розрізу жовтіє. Крім того, гостре лезо споживає менше енергії за тупе.

ТЕХНІЧНЕ ОБСЛУГОВУВАННЯ

Вступ



ПОПЕРЕДЖЕННЯ: Перед виконанням робіт із технічного обслуговування обов'язково прочитайте й усвідомте зміст розділу про заходи безпеки.

Для всіх робіт з обслуговування та ремонту необхідна спеціальна підготовка. Ми гарантуємо доступність послуг із професійного ремонту та обслуговування. Якщо ваш дилер не є одночасно центром обслуговування, зверніться до нього по

інформацію щодо найближчого центру обслуговування.

Графік технічного обслуговування

Інтервали технічного обслуговування вказані з урахуванням щоденного використання виробу. Інтервали змінюються для іншої частоти використання виробу.

Інформацію щодо технічного обслуговування елементів, помічених знаком * див. у *Правила техніки безпеки під час використання на сторінці 705.*

	Перед кожним використанням	Щомісяця	Щоквартально
Загальна перевірка	X		
Очищення виробу	X		
Перевірка обмежувача запуску*	X		
Переконайтеся, що захисні пристрої виробу є справними*	X		
Перевірка різального обладнання	X		
Перевірка кожуха леза*	X		

	Перед кожним використанням	Щомісяця	Щоквартально
Перевірка ручки зупинення двигуна*	X		
Перевірка правильності та справності роботи кнопки «УВІМК./ВИМКН.»	X		
Перевірка акумулятора на наявність пошкоджень	X		
Перевірка рівня заряду акумулятора	X		
Перевірка справності кнопки фіксатора на акумуляторі та надійності утримання акумулятора у виробі	X		
Перевірка зарядного пристрою на наявність пошкоджень та правильності його роботи.		X	
Перевірка з'єднань між акумулятором та виробом. Перевірка з'єднань між акумулятором та зарядним пристроєм.			X

Процедура загальної перевірки

- Переконайтеся, що всі гайки й гвинти на виробі затягнуті.
- Переконайтеся, що кабелі встановлені так, щоб вони не пошкодилися.

Чищення виробу

- Для очищення пластмасових деталей використовуйте суху чисту тканину.
- Не користуйтеся водою для очищення виробу. Вода може потрапити в акумулятор чи двигун та призвести до короткого замикання або пошкодження виробу.
- Для чищення виробу не використовуйте миючий апарат високого тиску.
- Заборонено лити воду безпосередньо на двигун.
- Прибирайте листя, траву та бруд за допомогою щітки.

Чищення акумулятора та зарядного пристрою



УВАГА: Заборонено мити батарею чи зарядний пристрій водою.

- Перш ніж вставити акумулятор у зарядний пристрій, переконайтеся, що акумулятор і зарядний пристрій чисті й сухі.
- Чистити контакти акумулятора потрібно стисненим повітрям або за допомогою м'якої сухої ганчірки.
- Чистити поверхню акумулятора та зарядного пристрою потрібно за допомогою м'якої сухої ганчірки.

Перевірка різального обладнання



ПОПЕРЕДЖЕННЯ: Щоб запобігти випадковому ввімкненню виробу, поверніть ключ безпеки в положення «0», вийміть акумуляторну батарею та почекайте принаймні 5 секунд.



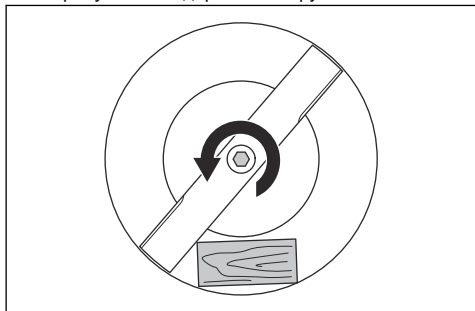
ПОПЕРЕДЖЕННЯ: Під час технічного обслуговування різального обладнання використовуйте захисні рукавиці. Лезо дуже гостре, ним можна легко порізатися.

1. Перевірте різальне обладнання на наявність пошкоджень або тріщин. Обов'язково замінійте пошкоджене різальне обладнання.
2. Огляньте лезо на предмет пошкоджень або затуплення.

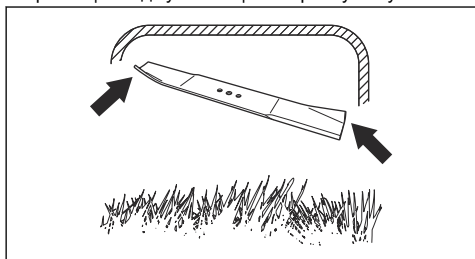
Зверніть увагу: Після гостріння леза необхідно відрегулювати його баланс. Гостріння, заміну та балансування леза необхідно проводити в центрі обслуговування. У разі потраплення на перешкоду, що призвела до зупинки двигуна, замініть пошкоджене лезо. Спеціалісти центру обслуговування мають провести оцінювання стану леза та надати консультацію щодо необхідності його гостріння або заміни.

Демонтаж та заміна леза

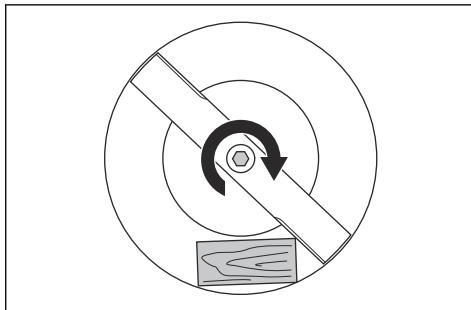
1. Зафіксуйте лезо дерев'яним брусом.



2. Вийміть болт леза.
3. Зніміть лезо.
4. Перевірте опору леза та болт на предмет пошкоджень.
5. Перевірте вал двигуна на предмет згинань.
6. Під час встановлення нового леза направляйте розміщені під кутом кінці в напрямку кожуха леза.



7. Переконайтеся, що лезо знаходиться на одному рівні з центром вала двигуна.
8. Зафіксуйте лезо дерев'яним брусом. Встановіть пружинну шайбу та затягніть болт і шайбу з моментом 23–28 Н·м.



9. Прокрутіть лезо рукою та переконайтеся, що воно вільно обертається.



ПОПЕРЕДЖЕННЯ:

Використовуйте міцні робочі рукавиці. Лезо дуже гостре, ним можна легко порізатися.

10. Запустіть виріб, щоб перевірити роботу леза. У разі неправильного встановлення леза у виробі буде спостерігатися вібрація або результат скошування буде незадовільний.

Усунення несправностей

Акумулятор

Світлодіоди на акумуляторі	Можливі несправності	Можливі виправлення
Блимає зелений світлодіодний індикатор	Напруга акумулятора занадто мала	Зарядіть акумулятор. Див. <i>Зарядка акумулятора на сторінці 713.</i>

Світлодіоди на акумуляторі	Можливі несправності	Можливі виправлення
Блимає світлодіодний індикатор помилки	Занадто низький рівень заряду акумулятора	Зарядіть акумулятор Див. <i>Акумулятор на сторінці 718.</i>
	Температура робочого середовища занадто висока чи занадто низька	Акумулятор дозволяється використовувати за температури від -10°C до 40°C.
	Перенапруга	Переконайтеся, що напруга відповідає значенням, зазначеним на табличці з паспортними даними виробу. Вийміть акумулятор із зарядного пристрою. Почекайте 5 секунд і спробуйте зарядити акумулятор. Якщо усунути несправність не вдалося, зв'яжіться з уповноваженим центром обслуговування.
Світлодіодний індикатор помилки ввімкнений	Завелика різниця напруги між елементами акумуляторної батареї (1 В).	Зверніться в авторизований центр обслуговування.

Зарядний пристрій акумулятора

Світлодіодний індикатор на зарядному пристрої	Можливі несправності	Можливі виправлення
Блимає світлодіодний індикатор помилки	Температура робочого середовища занадто висока чи занадто низька	Зарядний пристрій дозволяється використовувати за температури від 5°C до 40°C.
Світлодіодний індикатор помилки ввімкнений		Зверніться в авторизований центр обслуговування

Панель керування

Кнопкова панель	Код помилки (кількість спалахів)	Можливі несправності	Рекомендовані дії
Блимає світлодіодний індикатор помилки.	3	Двигун перенавантажений	Збільште висоту різання. Див. <i>Налаштування висоти різання на сторінці 712.</i>
	5	Частота обертання двигуна занадто падає та він зупиняється	
	10	Елементи керування двигуном занадто нагрілися	Зупиніть двигун та почекайте, доки вони охолонуть
	2	Лезо заблоковане	Щоб запобігти випадковому ввімкненню виробу, поверніть ключ безпеки в положення «0», вийміть акумуляторну батарею та почекайте принаймні 5 секунд. Переконайтеся, що лезо може вільно обертатися. Якщо усунути несправність не вдалося, зв'яжіться з уповноваженим центром обслуговування
	9	Помилка акумулятора або відсутність сигналу від нього	Правильно вставте акумулятор у виріб та перевірте його роз'єм. Якщо світлодіодний індикатор на акумуляторі продовжує блимати, див. <i>Акумулятор на сторінці 713.</i>
Виріб зупиняється	8	Занадто низький рівень заряду акумулятора	Зарядіть акумулятор. Див. <i>Зарядка акумулятора на сторінці 713.</i>
	0	Несправність роз'єму акумулятора	Огляньте роз'єм акумулятора
Інші помилки	У разі появи інших помилок поверніть ключ безпеки в положення «0», вийміть акумулятор і зверніться до затвердженого центру обслуговування.		

Транспортування, зберігання й утилізація

Вступ

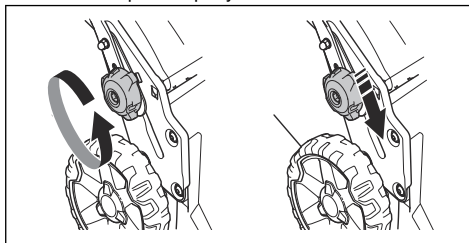


ПОПЕРЕДЖЕННЯ: Щоб запобігти випадковому ввімкненню виробу під час транспортування, поверніть ключ безпеки в положення «0», вийміть акумуляторну батарею та почекайте принаймні 5 секунд.

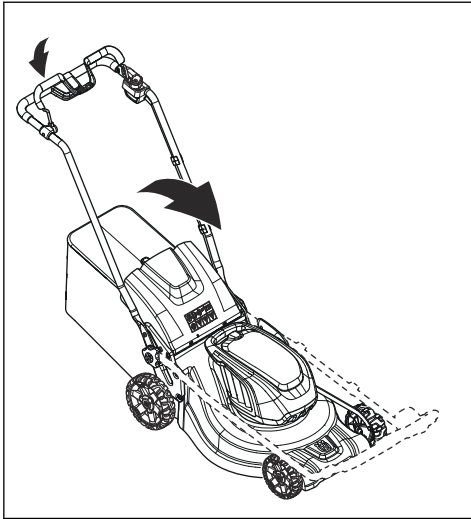
Встановлення виробу в положення для транспортування

1. Відпустіть нижні фіксувальні головки.

2. Пересуньте головки у нижню частину прорізів зліва та справа виробу.



3. Складіть ручку вперед.



4. Зніміть травозбірник.

Транспортування

- До літій-іонних акумуляторів, що йдуть у комплекти, застосовується законодавство щодо небезпечних товарів.
- Під час транспортування цивільним транспортом слід дотримуватися спеціальних вимог, що зазначені на пакуванні та наклейках.
- У разі підготовки виробу до транспортування переконайтеся, що ви дотримуєтеся законодавства щодо небезпечних матеріалів. Крім того, можуть застосовуватися місцеві норми.
- Перед перевезенням виробу слід завжди виймати акумуляторну батарею.
- Заклейте з'єднувачі акумулятора стрічкою та переконайтеся, що під час транспортування він буде надійно зафіксований.
- Під час транспортування закріплюйте виріб.

Зберігання

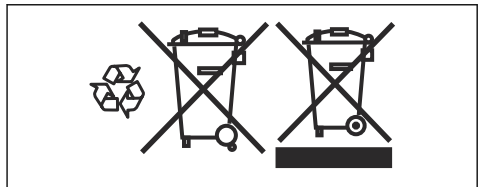
- Перед зберіганням виробу слід завжди виймати акумулятор.
- Задля уникнення нещасних випадків переконайтеся, що під час зберігання акумулятор не під'єднаний до виробу.

- Зберігайте зарядний пристрій у сухому місці в закритому приміщенні.
- Зберігайте акумулятор та зарядний пристрій у сухому місці, захищеному від вологи та холоду.
- Під час зберігання від'єднуйте акумулятор від зарядного пристрою.
- Заборонено зберігати акумулятор у місці, де можуть утворюватися статичні заряди. Не зберігайте акумулятор у металевій коробці.
- Зберігайте акумулятор за температури від 5°C до 25°C у захищеному від прямих сонячних променів місці.
- Зберігайте зарядний пристрій за температури від 5°C до 45°C у захищеному від прямих сонячних променів місці.
- Перед тривалим зберіганням акумуляторної батареї переконайтеся, що рівень її заряду становить 30–50%.
- Зберігайте виріб, акумулятор та зарядний пристрій у закритому приміщенні, куди не зможуть отримати доступ діти та особи без належної підготовки.
- Перед тривалим зберіганням промийте виріб та проведіть повне технічне обслуговування.

Утилізація

Символи на виробі або його упаковці вказують на те, що його не слід утилізувати разом з побутовими відходами. Утилізацію цього виробу слід здійснювати на спеціалізованому підприємстві з переробки відходів електричного й електронного обладнання.

Належна утилізація виробу допоможе запобігти потенційному негативному впливу на стан навколишнього середовища та здоров'я людей, який може стати наслідком некоректної обробки відходів. Докладну інформацію про утилізацію цього виробу можна отримати в органах місцевого самоврядування, місцевих службах переробки відходів або в магазині, де було придбано цей пристрій.



Технічні характеристики

Технічні характеристики

	LC 247IX / LC 247I	LC 347IVX / LC 347IV	LC 353IVX / LC 353IV
Різальний двигун			

	LC 247iX / LC 247i	LC 347iVX / LC 347iV	LC 353iVX / LC 353iV
Тип двигуна	Двигун постійного струму (без щіток) 36 В	Двигун постійного струму (без щіток) 36 В	Двигун постійного струму (без щіток) 36 В
Швидкість двигуна – SavE, об. на хв	2600	2600	2600
Швидкість двигуна – номінальна, об. на хв	3000	3000	3000
Швидкість двигуна – підвищена потужність, об. на хв	3500	3500	3500
Вихідна потужність двигуна – максимальна, кВт	0,96	0,96	1,05
Вихідна потужність двигуна – номінальна, кВт	0,75	0,75	0,9
Повідний двигун			
Вихідна потужність двигуна – номінальна, кВт	Не застосовується	0,25	0,25
Швидкість самохідного руху, км/ч	Не застосовується	3,0-4,5	3,0-4,5
Рівні швидкості	Не застосовується	4	4
Вага			
Вага без акумулятора, кг	24	26	28
Акумулятор			
Тип акумулятора	Серія Husqvarna	Серія Husqvarna	Серія Husqvarna
Тривалість роботи акумулятора			
Тривалість роботи акумулятора, хв (холостий хід), із активованою функцією SavE, з одним акумулятором Husqvarna ємністю 5,2 А·год (Влі200).	43	43	32
Тривалість роботи акумулятора, хв, (холостий хід) у стандартному режимі роботи, з одним акумулятором Husqvarna ємністю 5,2 А·год (Влі200).	30	30	20
Випромінювання шуму ⁸²			
Рівень звукової потужності, вимірюваний у децибелах (A)	94	94	97
Рівень звукової потужності, гарантований L _{WA} дБ (A)	95	95	98
Рівні звуку ⁸³			
Рівень звукового тиску у вусі оператора, дБ (A)	82	82	86

⁸² Випромінювання шуму в середовище, виміряне як звукова потужність (L_{WA}), відповідає директиві ЄС 2000/14/ЄС.

⁸³ Заявлені дані про рівень шумового тиску мають стандартну статистичну розбіжність (стандартне відхилення) в 1,2 дБ(A).

	LC 247iX / LC 247i	LC 347iVX / LC 347iV	LC 353iVX / LC 353iV
Рівні вібрації ⁸⁴			
Ручка, м/с ²	0,42	0,42	2,64
Різальне обладнання			
Висота зрізання, мм	20–75 мм	20–75 мм	20–75 мм
Ширина зрізання, см	47	47	53
Стандартне лезо	Collect 5905934-10	Collect 5905934-10	Collect 5940757-10
Додаткове лезо	Mulch 5907010-10	Mulch 5907010-10	Mulch 5950072-10
Місткість травозбірника, л	55	55	60

Радіочастотні характеристики Bluetooth®	LC 247iX	LC 347iVX	LC 353iVX
Частотний діапазон, ГГц	2,4–2,4835	2,4–2,4835	2,4–2,4835
Макс. вихідна потужність, дБм	4	4	4

Схвалені акумулятори	Тип	Ємність батареї, ампер-години	Напруга, В	Вага, фунти/кг
BLi20	Літій-іонний	4,0	36	2,6/1,2
BLi30	Літій-іонний	7,7	36	4,2 / 1,9
BLi200	Літій-іонний	5,2	36	2,8/1,3
BLi300	Літій-іонний	9,4	36	4,1 / 1,9

Схвалені зарядні пристрої для вказаних батарей, BLi	Вхідна напруга, В	Частота, Гц	Потужність, Вт
QC80	100-240	50-60	80
QC80F	12	0	80
QC250	100-240	50-60	250
QC330	100-240	50-60	330
QC500	100-240	50-60	500

⁸⁴ Заявлені дані щодо рівня вібрації мають стандартну статистичну розбіжність (стандартне відхилення) у 0,2 м/с². Стандарт щодо вібрації EN 60335-2-77:2017 глава 20.105

Декларація відповідності ЄС

Декларація відповідності ЄС

Ми, компанія **Husqvarna AB**, SE-561 82, місто Хускварна, Швеція, телефон: +46-36-146500, заявляємо, що **газонокосарки Husqvarna LC 247i, LC 247iX, LC 347iV, LC 347iVX, LC 353iV, LC 353iVX** із серійними номерами від 2018 року й наступні, відповідають вимогам ДИРЕКТИВИ РАДИ ЄС:

- від 8 червня 2011 р. «Про обмеження використання деяких небезпечних речовин» **2011/65/EU**
- від 17 травня 2006 р. «Стосовно механічного обладнання» **2006/42/EC**;
- від 8 травня 2000 р. «Про випромінювання шуму до навколишнього середовища» **2000/14/EC**

Відомості стосовно випромінювання шуму див. у *Технічні характеристики на сторінці 721.*

Застосовано такі стандарти:

EN/IEC 60335-1, EN/IEC 60335-2-77, EN/IEC 62233, EN 55014-1, EN ETSI 301 489-7 v1.3.1, EN 61000-6,

ETSI EN 61000-6-1, EN 300 328 BT low energy Tx/Rx, EN 50581

Якщо інше не зазначено, маються на увазі останні опубліковані версії вищенаведених стандартів.

Уповноважений орган: **0404, RISE SMP Svensk Maskinprovning AB, Box 7035, SE-750 07 Uppsala** провів процедуру оцінки відповідності згідно з Додатком VI Директиви 2000/14/EC.

Husqvarna, 2020-04-22



Клаес Лосдал (Claes Losdal), директор із питань розвитку / продукції для садівництва (уповноважений представник компанії Husqvarna AB, що відповідає за технічну документацію)

Зареєстровані товарні знаки

Слово й логотипи *Bluetooth®* є зареєстрованими товарними знаками, що належать компанії *Bluetooth SIG, inc.* і використовуються компанією Husqvarna виключно за ліцензією.

内容

引言.....	725	故障排除.....	740
安全性.....	728	运输、存放和废弃处理.....	741
安装.....	734	技术参数.....	742
操作.....	735	欧盟一致性声明.....	745
维护.....	738	注册商标.....	745

引言

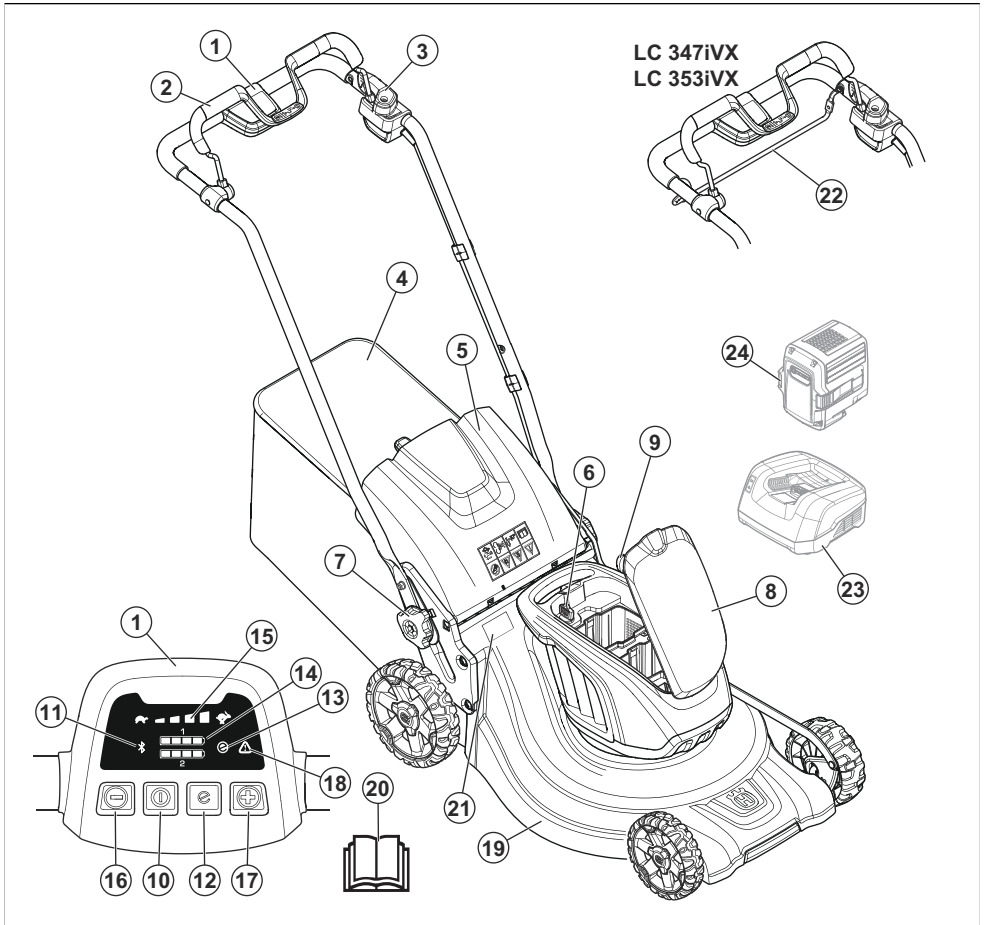
产品说明

本产品是一款步行控制式草坪机。草料收集在集草袋中。拆下集草袋，以便从后方卸草。连接覆盖套件（附件），将草料切割成肥料。

预期用途

使用产品修剪草坪。切勿将产品用于其他任务。

产品概览



- | | |
|------------------------|--|
| 1. 控制板 | 15. 速度级别指示灯 (LC 347iV, LC 347iVX, LC 353iV, LC 353iVX) |
| 2. 电机制动手柄 | 16. 减速按钮 (LC 347iV, LC 347iVX, LC 353iV, LC 353iVX) |
| 3. 启动禁止器 | 17. 加速按钮 (LC 347iV, LC 347iVX, LC 353iV, LC 353iVX) |
| 4. 集草袋 | 18. 错误 LED |
| 5. 后盖 | 19. 切割防护盖 |
| 6. 安全钥匙 | 20. 说明书 |
| 7. 把手旋钮 | 21. 标牌 |
| 8. 电池盖 | 22. 驱动杆 (LC 347iV, LC 347iVX, LC 353iV, LC 353iVX) |
| 9. 修剪高度控制 | 23. 电池充电器 (附件) |
| 10. “开/关”按钮 | 24. 电池 (附件) |
| 11. Bluetooth® 无线技术指示灯 | |
| 12. SavE 按钮 | |
| 13. SavE 指示灯 | |
| 14. 电池指示灯 | |

本产品上的符号



警告！请多加小心，并正确使用本产品。这可能会对操作员或其他人造成严重伤害或死亡。



请认真阅读本说明书，确保在充分理解各项说明之后再使用本产品。



确保人员和动物与工作区域保持安全距离。



注意抛掷物和反弹物。



警告：使手和脚远离正在旋转的刀片。



警告：使手和脚远离回转部件。



在执行维修或维护作业之前，先取出安全钥匙。



不得暴露在雨水中。



本产品或产品包装不属于生活垃圾。请在回收站作为电气和电子设备进行回收。



本产品符合适用的 EC 指令。



本产品符合适用的欧亚关税同盟 (Eurasian Customs Union) 指令。



本产品符合适用的乌克兰认证 (UkrSEPRO) 指令。



本产品符合适用的 RCM 指令。仅适用于澳洲/新西兰



环境噪音释放符合欧盟指令 2000/14/EC 和新南威尔士州法规“2017 年环境行动（噪音控制）保护法规”的要求。噪音排放数据可在机器标签和技术资料章节中找到。

IPX1 本产品防水滴。

启动过程：按下开/关按钮，松开启动禁止器，向下推电机制动手柄。



释放电机制动手柄以停止。



慢速



快速



扫描码

注意：有关本产品上的其他符号/标识，请参阅适用于部分市场的认证要求。

本产品上的标签



手和脚远离正在旋转的刀片。

产品责任

如产品责任法律中所引用的，在以下情况下，我们对我们的产品所导致的损坏不承担责任：

- 未正确修理产品。
- 使用并非来自制造商或者未获得制造商批准的零部件修理产品。
- 产品具有并非来自制造商或者未获得制造商批准的附件。
- 未在获得批准的服务中心修理产品，或者并非由获得批准的机构修理产品。

安全性

安全定义

本手册使用了“警告”、“小心”和“注意”来指出特别重要的内容。



警告：当不遵守手册中的说明可能会给操作员或周围人员带来伤害或死亡风险时，会使用此标志。



小心：当不遵守手册中的说明可能会对产品、其他

材料或附近区域造成损坏时，会使用此标志。

注意：用于提供特定状况下所需的更多信息。

一般安全须知



警告：请在使用本产品前阅读下面的警告说明。

- 如果使用不当，或者如果您不小心，则本产品非常危险。如

果未遵守一般安全须知，可能会导致伤害或死亡。

- 本产品在生产期间会产生电磁场。电磁场在某些情况下会干扰有源或无源医疗植入体。为了减少严重或致命性伤害风险，我们建议使用医疗植入体的人员在操作本产品之前事先咨询其医生及医疗植入体制造商。
- 请务必多加小心，并运用常识来判断。如果您不确定在特殊情况下如何操作本产品，请停止操作并与您的 Husqvarna 经销商联系。
- 切记，操作员将对涉及他人或其财产的事故负责。
- 请保持产品清洁。确保您可以清楚地阅读标记和标签。
- 切勿让不熟悉这些说明的儿童或人员使用本设备。当地法律可能会对操作员的年龄加以限制
- 若使用产品的人员身体能力或心智能力降低，务必对其进行监督。成人监督人必须始终在场。
- 当您感到疲倦、生病或受到酒精、麻药或药物的影响时，请勿使用本产品。这些因素会对您的视觉、警惕性、协调能力或判断力产生不良影响。
- 如果本产品有缺陷，切勿使用。
- 如果本产品可能被他人改动过，请勿再进行改动或使用。

工作区安全



警告： 请在使用本产品前阅读下面的警告说明。

- 在使用本产品之前，请清除作业区域中的树枝、枝桠和石头等物体。
- 这些物体碰撞到切割设备会被弹出，导致人员受伤和物体损坏。确保附近人员和动物与本产品保持安全距离。
- 切勿在雾天、雨天、强风、严寒和闪电等恶劣天气下使用本产品。在恶劣天气下或潮湿地点使用本产品容易令人感到疲倦。恶劣天气会导致危险的情况，如湿滑的路面。
- 留意可能妨碍本产品安全运行的人员、物体和情况。
- 留意如树根、石头、枝桠、坑和沟渠等障碍。茂盛的草会隐藏障碍物。
- 在斜坡上割草可能非常危险。不要在陡坡上割草。不要在坡度超过 15° 的地面上使用本产品
- 在斜坡上换向时要格外小心。面对斜坡操作本产品。切勿上下移动。
- 在接近隐藏的角和物体时请小心谨慎，以免阻碍视线。

作业安全



警告： 请在使用本产品前阅读下面的警告说明。

- 本产品仅用于切割草坪。不允许用于其他任务。
- 使用个人防护装备。请参阅 *个人防护装备* 在第 730 页上。
- 确保您知道在紧急情况下如何快速停止电机。
- 请勿在雨天或潮湿的条件下操作本产品。如果水进入本产品，发生电击的风险会增加。
- 除非已正确连接刀片和所有盖板，否则请勿操作本产品。未正确连接的刀片可能松动，导致人身伤害。
- 确保刀片不会碰到石头和树根等物体。这会损坏刀片，并折弯电机轴。折弯的轴会导致严重振动，刀片松动的风险也很高。
- 如果刀片碰撞到任何异物或者发生振动，请立即关闭本产品。停止电机运转，将安全钥匙转至 0 并取出电池。检查本产品是否损坏。维修损坏的地方或让授权的保养厂执行维修。
- 启动电机时，切勿将电机制动手柄永久连接至手柄。
- 将本产品放置在稳定、平坦的地面上，然后将其启动。确保刀片不会碰撞到地面或其他物体。

- 当您操作本产品时，请始终站在本产品的后面。
- 在操作本产品时使所有车轮接触地面，并将双手放在手柄上。手和脚远离正在旋转的刀片。
- 当电机启动后，请勿倾斜本产品。
- 向后拉动本产品时请小心谨慎。
- 切勿在电机启动后吊起本产品。如果必须吊起本产品，请先停止电机，将安全钥匙转至 0 并拆出电池。
- 在操作本产品时切勿倒退行走。
- 当您在没有草的区域移动时，例如由石砾、石头和沥青等铺成的道路，应停止电机。
- 请勿在电机启动后带着本产品奔跑。操作本产品时始终保持步行。
- 在更改修剪高度之前，请先停止电机运转。切勿在电机启动后进行调整。
- 切勿在电机启动后将本产品置于视线以外的地方。停止电机运转，确保切割设备不转动。

操作安全须知

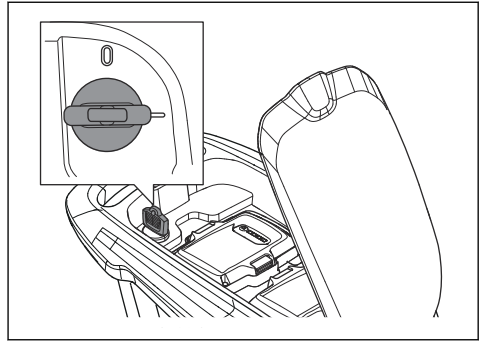
个人防护装备



警告： 请在使用本产品前阅读下面的警告说明。

- 个人防护装备不能完全避免受伤，但当意外发生时，可降低伤害程度。请经销商协助您选择正确的防护装备。
- 穿上结实耐磨防滑靴或防滑鞋。请勿穿凉鞋或赤脚。
- 请穿上厚实的长裤。
- 必要时戴上保护手套，例如在安装、检查或清洁切割设备时。

- 如果安全钥匙正常工作，则电机只有在安全钥匙处于位置 1 时启动。



产品上的安全装置



警告： 请在使用本产品前阅读下面的警告说明。

- 切勿在安全装置有故障的情况下使用产品。
- 定期检查安全装置。如果安全装置有故障，请联系您的 Husqvarna 保养厂。

电机制动手柄

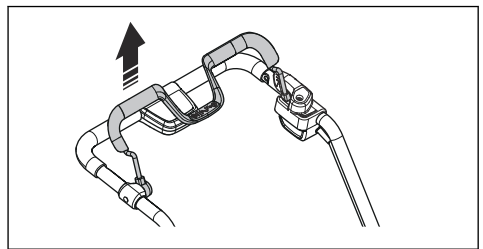
电机制动手柄可停止电机。松开电机制动手柄后，电机停止。

要检查电机制动，启动电机，然后松开电机制动手柄。如果电机未在 3 秒钟内停止，应请经认可的 Husqvarna 保养厂调整电机制动。

检查切割防护盖

切割防护盖可降低本产品产生的振动，并降低被刀片割伤的风险。

- 检查切割防护盖，确保没有损坏，如裂缝。



安全钥匙

安全钥匙位于电池盖下方。安全钥匙用于连接为电机供电的电池。

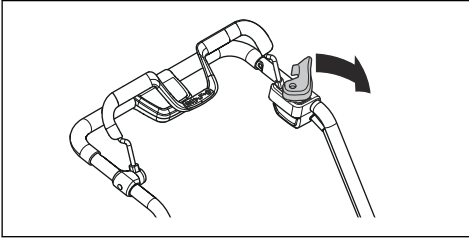
- 启动和停止电机运转以检查安全钥匙。

检查启动禁止器

检查启动禁止器，确保它能防止电机运转。

1. 朝手柄杆方向推动电机制动手柄。启动禁止器停止移动。

2. 将启动禁止器推出。



3. 松开启动禁止器，并确保它会返回到其初始位置。

电池安全



警告： 请在使用本产品前阅读下面的警告说明。

- 只能将 Husqvarna 充电电池用作相关 Husqvarna 产品的电源。为避免伤害，请勿用电池为其他装置供电。
- 请勿使用一次性电池。
- 有发生电击的危险。请勿将电池端子连接至钥匙、硬币、螺钉或其他金属上。这会导致电池短路。
- 请勿将异物放入电池的导气槽中。
- 使电池远离阳光、热量或明火。电池可能爆炸并导致烧伤和/或化学烧伤。
- 使电池远离雨水和潮湿条件。
- 使电池远离微波和高压条件。
- 请勿尝试拆卸或破坏电池。
- 如果电池出现泄漏，不要让电池酸液接触到身体或眼睛。如果接触了电池酸液，请先用大

量清水清洗接触部位，然后送医治疗。

- 在 -10°C 至 40°C 之间的温度下使用电池。
- 切勿用水清洁电池或充电器。请参阅 *清洁电池和电池充电器* 在第 739 页上。
- 切勿使用存在缺陷或损坏的电池。
- 电池在存放时应远离金属物体，如钉子、硬币、珠宝首饰等。

充电器安全性



警告： 请在使用本产品前阅读下面的警告说明。

- 只能使用 QC 电池充电器为 Husqvarna 备用电池充电。
- 电击或短路风险。请勿将异物放置在充电器的导气槽中。切勿尝试拆卸电池充电器。切勿将充电器端子连接到金属物体上。使用认可的电源插座。
- 本产品 in 操作期间会产生电磁场。电磁场在某些情况下会干扰有源或无源医疗植入体。为了减少严重或致命性伤害风险，我们建议使用医疗植入体的人员在操作本产品之前事先咨询其医生及医疗植入体制造商。
- 定期确认电池充电器的电源线未受损且内部无裂纹。
- 切勿用电源线提起电池充电器。要从电源插座断开电池充

- 电器，请拔出插头。切勿拽拉电源线。
- 确保所有电源线和延长电线远离水、油和锋利边缘。确保电线不会夹在门、栅栏或类似物体之间。否则会使充电器带电。
 - 切勿用水清洁电池充电器。
 - 8 周岁起的儿童和体力、感官或精神能力较差或缺乏经验和知识的成年人，可在得到监督或指导、了解如何安全使用电池充电器及其所涉及危险的情况下使用电池充电器。不得让儿童玩耍电池充电器。儿童不得在没有监督的情况下对设备进行清洁和维护。
 - 切勿将非充电电池放入电池充电器中充电。
 - 请勿在易燃材料或可能导致腐蚀的材料附近使用电池充电器。不要盖住电池充电器。如果出现冒烟或着火，拔出电池充电器插头。
 - 切勿使用存在缺陷或损坏的电池充电器。
 - 仅在室内空气流通较好且远离日光的位置为电池充电。请勿在潮湿条件下为电池充电。

- 为了防止在维护过程中意外启动，请将安全钥匙转至 0 并取出电池。至少等待 5 秒钟，然后再开始维护。
- 正确执行维护工作将增加本产品的使用寿命，降低发生意外的风险。让经批准的保养厂执行专业维修。如需了解更多信息，请与离您最近的保养厂联系。
- 只能进行本说明书中说明的维护工作。其他保养操作必须由经批准的保养厂完成。
- 在使用切割设备时，请务必戴上耐磨的手套。刀片非常锋利，很容易割到手。
- 保持切割刃锋利并清洁，以获得最佳和最安全的性能。
- 让您的保养厂定期检查本产品，并进行必要的调整及修理。
- 更换已经损坏、磨损或破损的零件。
- 请遵守关于更换配件的说明。只能使用制造商提供的配件。
- 在不使用时，请将本产品、电池和电池充电器分开存放在干燥、上锁的室内区域。确保未获批准的儿童和人员无法取用本产品、电池或电池充电器。

维护安全须知



警告： 请在使用本产品前阅读下面的警告说明。

安装

引言



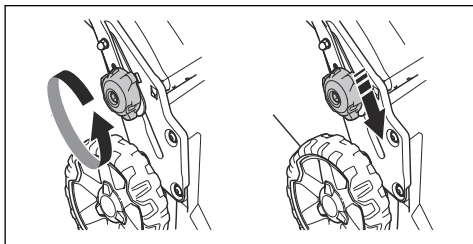
警告： 在装配本产品前，请阅读安全章节。



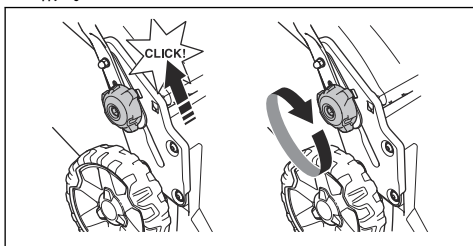
警告： 为防止在装配过程中意外启动，将安全钥匙转至 0，取下电池，然后等待至少 5 秒钟。

调节手柄

1. 松开下部旋钮。
2. 将旋钮转至本产品的左侧和右侧凹槽的下端。



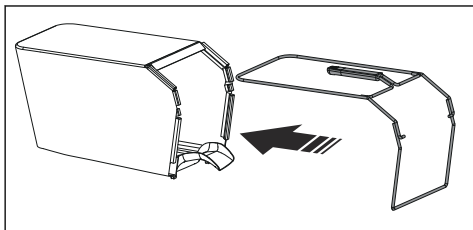
3. 将手柄高度设置到 2 个可用位置中的其中一个。
4. 朝手柄方向向上转动旋钮，直至它们停止并且听到咔嚓声。



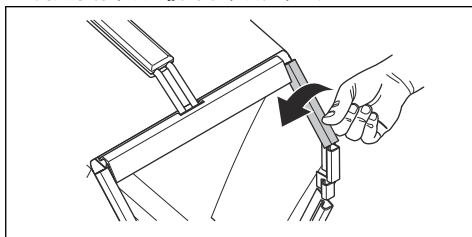
5. 完全上紧旋钮。

装配集草袋

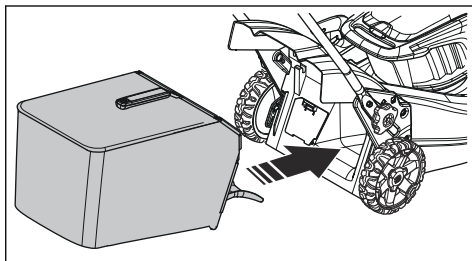
1. 将集草袋框架连接到草袋，使袋子的硬侧在下面。将框架的手柄放在草袋顶部。



2. 将集草袋框架的底部连接到集草袋底部的凹槽中。
3. 用夹子将草袋连接到集草袋框架上。

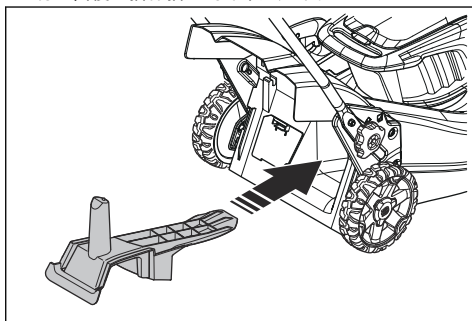


4. 抬起后盖。
5. 将集草袋连接到机架顶部边缘上。
6. 将集草袋的下部放入卸草通道中。



装配地面覆盖插件（附件）

1. 抬起后盖，拆下集草袋。
2. 将地面覆盖插件插入到卸草通道中。



3. 使用地面覆盖套件中提供的覆盖刀片更换刀片。请参阅卸下和更换刀片在第 739 页上。

引言



警告： 在使用本产品之前，您必须阅读并理解安全章节。

Husqvarna Connect

Husqvarna Connect 是一款可在移动设备上免费使用的应用程序。Husqvarna Connect 应用程序可为您的 Husqvarna 产品提供扩展功能：

- 扩展产品信息。
- 关于帮助、产品零件和保养的信息。

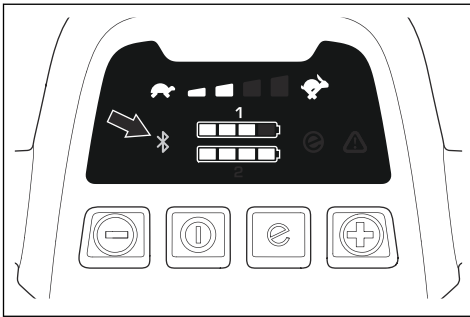
开始使用 Husqvarna Connect

1. 将 Husqvarna Connect 应用程序下载至您的移动设备。
2. 在 Husqvarna Connect 应用程序中注册。
3. 执行 Husqvarna Connect 应用程序中的说明步骤以连接并注册产品。

Bluetooth® 信息 (LC 247iX, LC 347iVX, LC 353iVX)

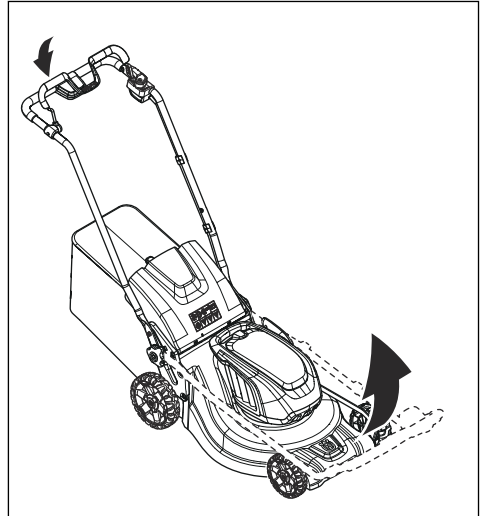
Bluetooth® 无线技术

当移动设备连接到本产品时，Bluetooth® 无线技术的符号会亮起。

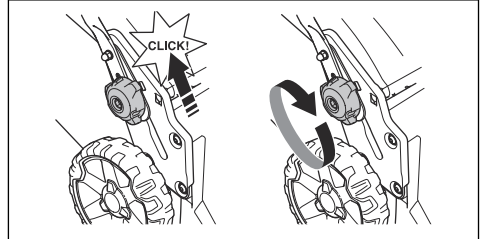


将产品设置在工作位置

1. 将手柄折起到竖直位置。



2. 朝手柄方向向上转动旋钮，直至它们停止并且听到咔嗒声。



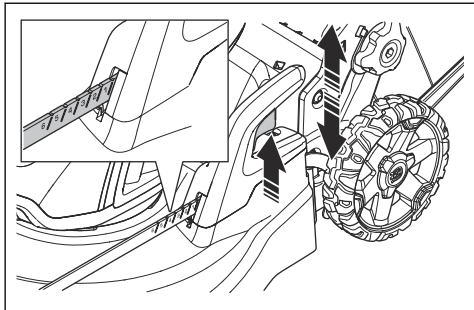
3. 完全上紧旋钮。

设置修剪高度

修剪高度有 6 个可调级别。

1. 向下移动修剪高度调节杆以降低修剪高度。

2. 向上移动修剪高度调节杆以增加修剪高度。



小心：切勿将修剪高度设置得太低。如果草坪的表面不水平，刀片可能会碰到地面。

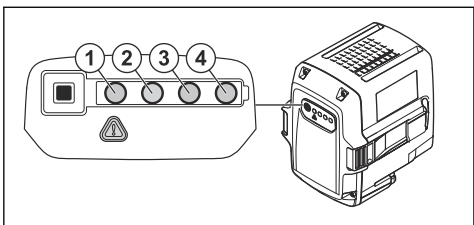
蓄电池



警告：在使用电池前，您必须阅读并理解安全章节。您还必须阅读并理解电池和电池充电器的说明书。

电池状态

指示灯显示剩余的电池电量以及电池是否出现任何问题。本产品关闭后，或者按下电池指示灯按钮之后，电池电量将显示 5 秒钟。出现错误时，电池上的警告符号将亮起。请参阅 **蓄电池** 在第 740 页上。



LED 灯	电池状态
所有指示灯亮起	充满电 (75-100%)
LED 1、LED 2、LED 3 亮起	电池充电至 50%-75%
LED 1、LED 2 亮起	电池充电至 25%-50%
LED 1 亮起	电池充电至 0%-25%。
LED 1 闪烁	电池电量耗尽。给电池充电。

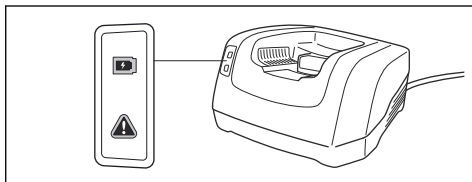
为电池充电

在首次使用之前要先给电池充电。电池在交付给客户时仅充有 30% 的电量。

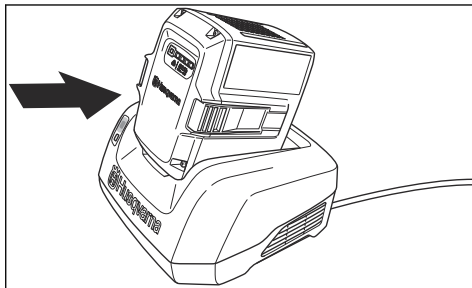
注意：将电池充电器连接至具有标牌上规定电压和频率的电源。

如果电池温度高于 50°C，则电池不会充电。电池充电器会降低电池的温度，然后再开始充电。

1. 将电池充电器电源线的一端连接到电池充电器的插座。
2. 将电池充电器电源线的另一端连接到具有接地连接的电源插座。电池充电器上的 LED 灯会闪烁一下绿灯。



3. 将电池放入充电器中。当电池正确连接至电池充电器时，充电器上的绿色指示灯会亮起。



4. 当电池上的所有 LED 灯亮起时，说明电池已充满电。给电池充电最长 24 小时。
5. 要将电池充电器与电源插座断开，请拔下插头，不可拉拽电源线。
6. 从电池充电器中取出电池。

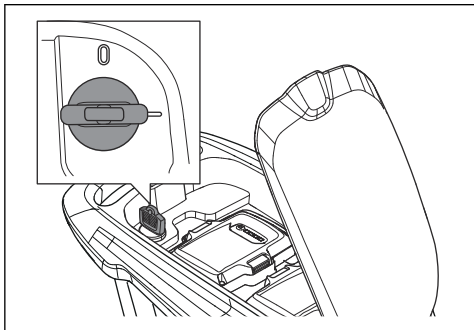
电池充电状态

Husqvarna 锂离子电池可以在所有电量水平下充电或使用。电池不会受损。充满电的电池即使留在充电器中也不会损失电量。

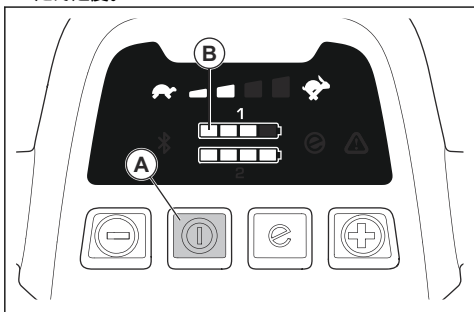
指示灯	充电状态
LED 1 闪烁	0%-25%
LED 1 亮起，LED 2 闪烁	25%-50%
LED 1、LED 2 亮起，LED 3 闪烁	50%-75%
LED 1、LED 2、LED 3 亮起，LED 4 闪烁	75%-100%
LED 1、LED 2、LED 3、LED 4 亮起	充满电

启动产品

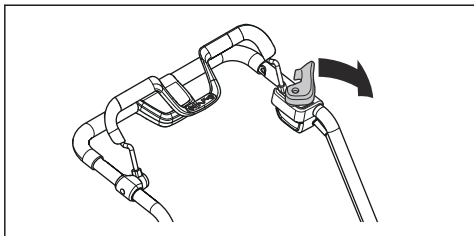
1. 打开电池盖。
2. 将充满电的电池放入其中一个电池座中。为延长工作时间，请将另一个充满电的电池放入另一个电池座。
3. 将安全钥匙转至 1。



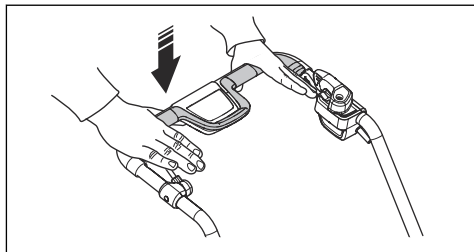
4. 站在本产品的后面。
5. 按下控制板上的开/关按钮 (A)。显示屏亮起。电池指示灯 (B) 显示 2 节电池的电量。工作中的电池数量在电池指示符旁边显示。对于型号 LC 347iV, LC 347iVX, LC 353iV, LC 353iVX，显示屏还显示设定的速度。



6. 松开启动禁止器。

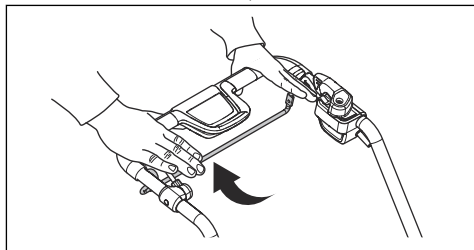


7. 朝手柄杆方向推动电机制动手柄。

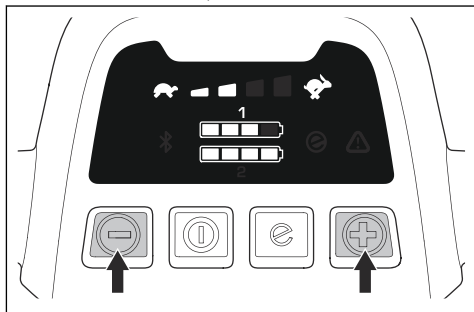


使用车轮上的驱动装置 LC 347iV, LC 347iVX, LC 353iV, LC 353iVX

- 朝手柄杆方向拉动驱动杆，启动驱动装置。



- 在控制板上按 + 和 -，驱动速度有 4 档可调。



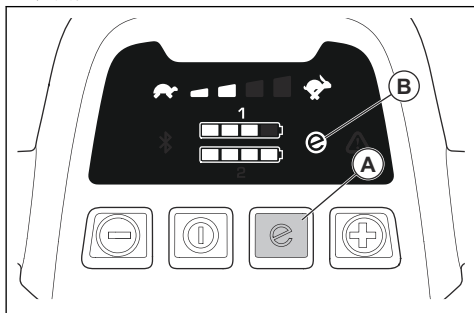
- 松开驱动杆以脱开驱动装置，例如，当您靠近障碍物时。

使用功能

本产品具有电池节电功能 (e)，可提供更长的工作时间。

1. 按下按钮 (A) 可启动该功能。显示屏上的符号 (B) 会亮起。

- 再次按下按钮可停止该功能。显示屏上的符号 (B) 会熄灭。



如果地面条件要求更高的功率输出，则功能会自动停止。在地面条件允许时，功能会再次自动启动。

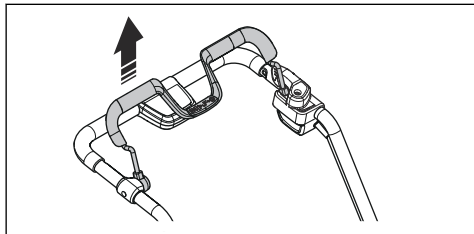
高负载功能

当本产品切割长草或湿草时，电机会自动增加转速。当不需要高负载时，电机恢复标准模式。

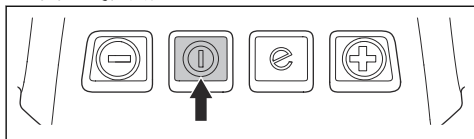
关停产品

如果您在 10 分钟内没有任何操作，本产品将自动停止。在使本产品离开视线以外之前，请始终将安全钥匙转至 0。

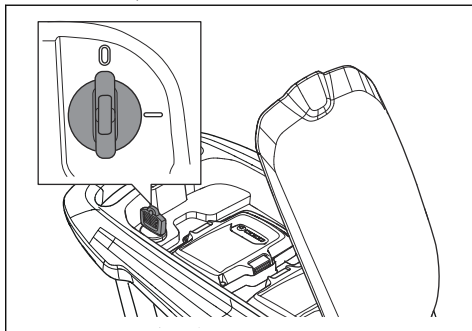
- 松开电机制动手柄以停止电机运转。



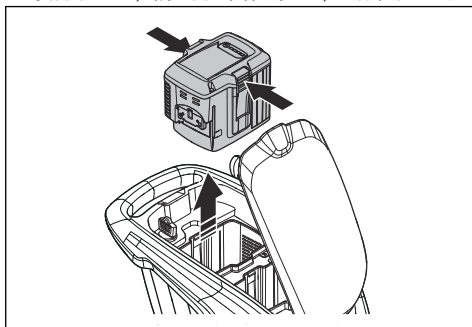
- 按下控制板上的开/关按钮。显示屏上的所有 LED 灯和符号均熄灭。



- 打开电池盖，将安全钥匙转至 0。



- 要拆下电池，请按下两个释放按钮，然后取下电池。



- 如果电池电量不足，请为电池充电。有关更多信息，请参阅 [为电池充电在第 736 页上](#)。

为获得良好的作业效果

- 务必使用锐利的刀片。钝刀片会产生不规则的结果，且草的切割表面会变黄。此外，锐利的刀片比钝刀片更加节能。
- 修剪高度不得超过草长的 $\frac{1}{3}$ 。从较高的修剪高度开始切割。检查结果，将修剪高度降低到合适的水平。如果草非常长，请缓慢前进，必要时切割 2 次。
- 每次的修剪方向不应相同，以防止草坪上出现条纹。

在未连接集草袋或地面覆盖插件的情况下割草

- 抬起后盖，拆下集草袋。
- 如果已连接地面覆盖插件和覆盖刀片，请将其卸下。
- 在操作本产品之前，关闭后盖。

在操作本产品时，割下的草将在后盖下方排出。

维护

引言



警告： 进行维护之前，您必须阅读并理解安全须知章节。

要对本产品执行任何保养和维修工作，都需要经过特殊培训。我们承诺提供专业的维修和保养。如果您的经销商不是保养代理商，请联系该经销商以获取离您最近的保养代理商的信息。

维修时间表

维护间隔在产品每天使用的情况下计算得出。如果产品并非每天使用，维护间隔会有所不同。

有关 * 所标识的维护，请参阅 *操作安全须知* 在第 730 页上的说明。

	每次使用	每月	每个季节
执行一般性检查	X		
清洁本产品	X		
检查启动禁止器*	X		
确保本产品上的安全装置无故障*	X		
检查切割设备	X		
检查切割防护盖*	X		
检查电机制动手柄*	X		
确保开/关按钮工作正常且无故障	X		
检查电池是否损坏	X		
检查电池电量	X		
确保电池上的释放按钮工作正常并将电池锁入本产品中	X		
检查电池充电器是否损坏，确保其工作正常。		X	
检查电池和本产品之间的连接。还要检查电池与电池充电器之间的连接。			X

进行一般性检查

- 确保产品上的螺母和螺钉都已拧紧。
- 确保产品上的电缆不会损坏。

清洁产品

- 用清洁的干布擦净塑料部件。
- 请勿用水清洁本产品。水会进入电池或电机，并导致短路或损坏本产品。
- 不要使用高压清洗机清洁产品。
- 不要直接用水冲洗马达。
- 用刷子清除树叶、草和污垢。

清洁电池和电池充电器



小心：切勿用水清洁电池或充电器。

- 在将电池放入电池充电器之前，确保电池和电池充电器清洁、干燥。
- 请使用压缩空气或软干布清洁电池端子。
- 请使用软干布清洁电池和电池充电器的表面。

润滑切割设备



警告：为防止意外启动，将安全钥匙转至 0，拆下电池，然后等待至少 5 秒钟。



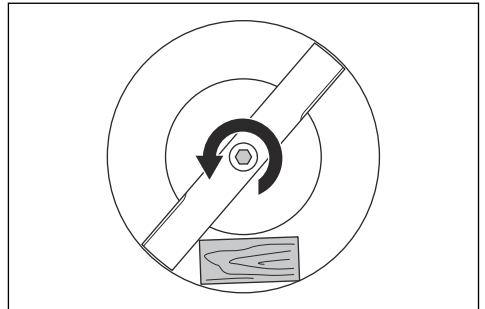
警告：维护切割设备时，请戴上保护手套。刀片非常锋利，很容易割到手。

1. 检查切割设备是否有损坏或裂痕。务必更换损坏的切割设备。
2. 检查刀片，查看是否损坏或变钝。

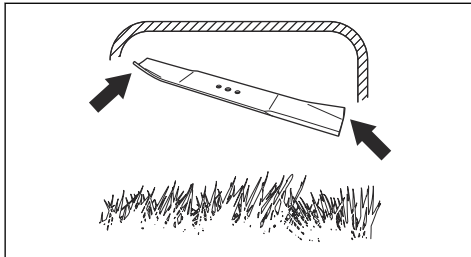
注意：必须在磨利后使刀片保持平衡。让维修中心磨利、更换和平衡刀片。如果您碰到障碍物导致本产品停止运转，请更换损坏的刀片。让维修中心评估刀片可以磨利还是必须更换。

卸下和更换刀片

1. 使用木块卡住刀片。

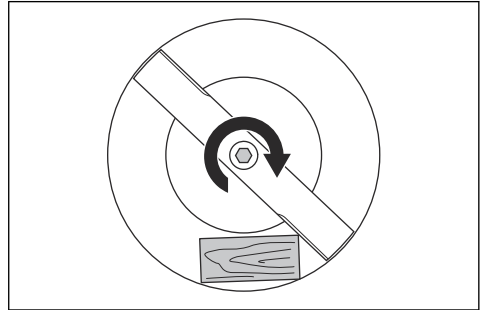


2. 拆下刀片螺栓。
3. 拆下刀片。
4. 检查刀片支撑和刀片螺栓，查看是否有损坏。
5. 检查电机轴，确保其未弯曲。
6. 安装新刀片时，请将刀片的倾斜端指向切割防护盖的方向。



7. 确保刀片与电机轴中心对准。

8. 使用木块卡住刀片。安装弹簧垫片，并且用 23-28 Nm 扭矩拧紧螺丝和垫片。



9. 用手拉住刀片旋转，确保刀片转动自如。



警告： 请佩戴耐磨手套。刀片非常锋利，很容易割到手。

10. 启动本产品以测试刀片。如果刀片未正确安装，则本产品中存在振动，或切割结果令人不满意。

故障排除

蓄电池

电池上的 LED	可能的故障	可能的步骤
绿色 LED 闪烁	电池电压过低	给电池充电。请参阅 为电池充电在第 736 页上 。
错误 LED 闪烁	电池电量不足	给电池充电。请参阅 蓄电池在第 740 页上 。
	工作环境温度过高或过低	在 -10°C 至 40°C 之间的温度下使用电池。
	过压	检查电源电压是否与产品标牌上的电压一致。 从电池充电器中取出电池。等待 5 秒钟，然后再次尝试为电池充电。如果问题仍然存在，请联系经授权的保养厂。
错误 LED 亮起	电池电压差过大 (1V)	请联系获得批准的保养厂。

电池充电器

电池充电器上的 LED	可能的故障	可能的步骤
错误 LED 闪烁	工作环境温度过高或过低	在 5°C 至 40°C 之间的温度下使用电池充电器。
错误 LED 亮起		请联系获得批准的保养厂

控制板

键盘	错误代码 (闪烁次数)	可能的故障	可行操作
错误指示灯闪烁	3	电机过载	增加修剪高度。请参阅 <i>设置修剪高度</i> 在第 735 页上。
	5	电机速度下降过多, 电机停止	
	10	电机控制过热	停止电机, 等待直至其冷却。
	2	刀片卡住	为防止意外启动, 将安全钥匙转至 0, 拆下电池, 然后等待至少 5 秒钟。确保刀片转动自如。如果问题仍然存在, 请联系经授权的保养厂。
	9	电池错误或电池无信号	将电池正确装入本产品, 并检查电池接头。如果电池上的错误 LED 闪烁, 请参阅 <i>蓄电池</i> 在第 736 页上。
本产品停止运行	8	电池电量不足	给电池充电。请参阅 <i>为电池充电</i> 在第 736 页上。
	0	电池接头故障	检查电池接头
其它错误	如果出现其他错误, 请将安全钥匙转至 0, 取下电池并联系获得批准的保养厂。		

运输、存放和废弃处理

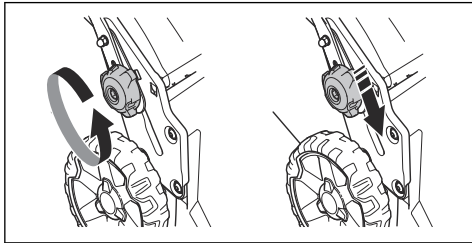
引言



警告： 为防止在运输过程中意外启动, 将安全钥匙转至“0”, 取下电池, 然后等待至少 5 秒钟。

将产品置于运输位置

1. 松开下部旋钮。
2. 将旋钮转至本产品的左侧和右侧凹槽的下端。



3. 向前折叠手柄。



4. 拆下集草袋。

运输

- 危险品法律要求适用于本产品所含的锂离子电池。
- 对于商业运输, 必须遵守包装和标签上的特殊要求。

- 当您准备运输产品时，请确保遵守有关危险品的法规。当地法规可能适用。
- 运输之前务必取下电池。
- 将胶带贴在电池接头上，并确保在运输过程中电池无法移动。
- 运输期间请固定好本产品。

存放

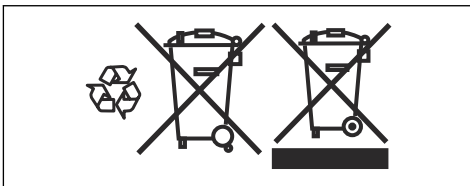
- 进行存放之前务必取下电池。
- 为了防止意外事故，请确保在存放期间电池未连接到本产品。
- 将电池充电器存放于密闭干燥的位置。
- 将电池和电池充电器存放于干燥、无湿气或结霜的位置。
- 在存储期间从电池充电器中断开电池的连接。
- 不要将电池存放在容易积聚静电的位置。严禁将电池存放在金属盒中。
- 电池存放温度应介于 5°C 至 25°C 之间，并避免阳光直射。
- 电池充电器存放温度应介于 5°C 至 45°C 之间，并避免阳光直射。
- 确保电池在长期存放之前充电至 30% - 50% 电量。

- 将本产品、电池和电池充电器存放在上锁区域，防止儿童和未经批准的人取用。
- 在长期存储本产品之前，应清洁本产品并进行全面的保养。

废弃处理

本产品或其包装上的符号指示不能将本产品当作生活垃圾进行处理。必须将其送交相应的回收站以回收利用电气和电子设备。

对本产品进行不当的废物管理可能会对环境和人身造成负面影响，请确保正确处理本产品，避免发生此类问题。有关回收本产品的详细信息，请与当地相关管理部门、生活垃圾服务机构或销售本产品的商店联系。



技术参数

技术参数

	LC 247IX/LC 247I	LC 347IVX/LC 347IV	LC 353IVX/LC 353IV
切割电机			
电机类型	BLDC (无刷型) 36V	BLDC (无刷型) 36V	BLDC (无刷型) 36V
电机转速 - 节能, rpm	2600	2600	2600
电机转速 - 标称, rpm	3000	3000	3000
电机转速 - 高负载, rpm	3500	3500	3500
电机输出 - 最大, kW	0.96	0.96	1.05
电机输出 - 标称, kW	0.75	0.75	0.9
驱动马达			
电机输出 - 标称, kW	不适用	0.25	0.25
自行移动速度, km/h	不适用	3.0-4.5	3.0-4.5
速度调节杆	不适用	4	4
重量			
不含电池时的重量, kg	24	26	28
电池			
电池类型	Husqvarna 电池系列	Husqvarna 电池系列	Husqvarna 电池系列
电池工作时间			

	LC 247iX/LC 247i	LC 347iVX/LC 347iV	LC 353iVX/LC 353iV
电池工作时间, 分钟, (空运转) 启用 SavE 模式, 使用一块 Husqvarna 5.2 Ah 电池 (BLi200)。	43	43	32
电池工作时间, 分钟, (空运转) 启用标准模式, 采用一节 Husqvarna 5.2 Ah 电池 (BLi200)。	30	30	20
噪音排放 ⁸⁵			
声功率级 (测量值), dB (A)	94	94	97
声功率级 (保证值, L _{WA}), dB (A)	95	95	98
声级 ⁸⁶			
操作员耳旁的声压级, dB (A)	82	82	86
振动水平 ⁸⁷			
手柄, m/s ²	0.42	0.42	2.64
切割设备			
修剪高度, mm	20-75 mm	20-75 mm	20-75 mm
修剪宽度, cm	47	47	53
刀片标准	收集 5905934-10	收集 5905934-10	收集 5940757-10
刀片附件	覆盖 5907010-10	覆盖 5907010-10	覆盖 5950072-10
集草袋容量, 升	55	55	60

Bluetooth® 射频数据	LC 247iX	LC 347iVX	LC 353iVX
频段, GHz	2.4-2.4835	2.4-2.4835	2.4-2.4835
输出功率, 最大值 (dBm)	4	4	4

认可电池	类型	电池容量, Ah	电压, V	重量, lb/kg
BLi20	锂离子电池	4.0	36	2.6/1.2
BLi30	锂离子电池	7.7	36	4.2/1.9
BLi200	锂离子电池	5.2	36	2.8/1.3
BLi300	锂离子电池	9.4	36	4.1/1.9

⁸⁵ 环境噪音排放以声功率 (L_{WA}) 量测, 符合 EC 指导文件 2000/14/EC 的要求。

⁸⁶ 噪音音压级的上报数据中具有一个 1.2 dB(A) 的典型统计离差 (标准偏差)。

⁸⁷ 等效振动水平的报告数据中具有 0.2 m/s² 的典型统计离差 (标准偏差)。振动标准 EN 60335-2-77:2017 第 20.105 章

指定 BLi 电池允许使用的充电器	输入电压, V	频率, Hz	功率 (W)
QC80	100-240	50-60	80
QC80F	12	0	80
QC250	100-240	50-60	250
QC330	100-240	50-60	330
QC500	100-240	50-60	500

欧盟一致性声明

欧盟一致性声明

Husqvarna AB, SE-561 82 Huskvarna, Sweden, 电话：
+46-36-146500，声明自 2018 年和以后的**草坪机**

Husqvarna LC 247i, LC 247iX, LC 347iV, LC 347iVX,
LC 353iV, LC 353iVX 符合理事会指令的要求：

- 2011 年 6 月 8 日“关于限制使用某些有害物质”的指令
2011/65/EU
- 2006 年 5 月 17 日“关于机械”的指导文件
2006/42/EC
- 2000 年 5 月 8 日“关于环境噪音释放”的指令
2000/14/EC

关于噪音释放的信息，请参阅 *技术参数* 在第 742 页上。

适用标准如下：

**EN/IEC 60335-1, EN/IEC 60335-2-77, EN/IEC 62233,
EN 55014-1, EN ETSI 301 489-7 v1.3.1, EN 61000-6,**

**ETSI EN 61000-6-1, EN 300 328 BT low energy Tx/Rx,
EN 50581**

如果未做其他说明，那么以上所列各项标准皆为最新发布
的版本。

认证机构：**0404, RISE SMP Svensk Maskinprovning
AB, Box 7035, SE-750 07 Uppsala** 已按照 2000/14/EC
指令附录 VI 执行了合规性评估。

Huskvarna, 2020-04-22



Claes Losdal, 开发经理/园林产品 (Husqvarna AB 授权
代表，负责技术文档编制事务)

注册商标

Bluetooth® 文字标志和徽标是 *Bluetooth SIG, inc.* 所拥有
的注册商标，Husqvarna 对这些标志的任何使用均获得
了许可。



www.husqvarna.com

Original instructions
Оригинални инструкции
Původní pokyny
Originale instruktioner
Originalanweisungen
Αρχικές οδηγίες
Instrucciones originales
Originalaajuhend
Alkuperäiset ohjeet
Instructions d'origine
Originalne upute
Eredeti útmutatás
Istruzioni originali
取扱説明書原本
Originalios instrukcijos

Lietošanas pamācība
Originale instructies
Originale instruksjoner
Oryginalne instrukcje
Instruções originais
Instruçiuni inițiale
Оригинальные инструкции
Põlvodné pokyny
Izvirna navodila
Originalna uputstva
Bruksanvisning i original
Orijinal talimatlar
Оригiнальнi iнструкцiї
原始说明

1142635-38



2021-01-27