

GB	Operator's manual 2-11	SK	Návod na obsluhu 152-161
SE	Bruksanvisning 12-21	PL	Instrukcja obsługi 162-171
DK	Bruksanvisning 22-31	HU	Használati utasítás 172-181
NO	Bruksanvisning 32-41	SI	Navodila za uporabo 182-191
FI	Käyttöohje 42-51	RO	Instrucțiuni de utilizare 192-201
DE	Bedienungsanweisung 52-61	TR	Kullanım kılavuzu 202-211
FR	Manuel d'utilisation 62-71	RU	Руководство по эксплуатации 212-222
NL	Gebruiksaanwijzing 72-81	BG	Ръководство за експлоатация 223-233
ES	Manual de instrucciones 82-91	GR	Οδηγίες χρήσεως 234-243
PT	Instruções para o uso 92-101	US	Operator's manual 244-253
IT	Istruzioni per l'uso 102-111	CA	Manuel d'utilisation 254-264
EE	Käsitsemisõpetus 112-121	UE	Manual de instrucciones 265-274
LV	Lietošanas pamācība 122-131	CN	操作手册 275-284
LT	Naudojimosi instrukcijos 132-141		
CZ	Návod k použití 142-151		



BR600

EAC

KEY TO SYMBOLS

Symbols

WARNING!

A sweeper can be a dangerous tool if used incorrectly or carelessly, which can cause serious or fatal injury to the operator or others. It is extremely important that you read and understand the contents of this Operator's Manual.



Please read the operator's manual carefully and make sure you understand the instructions before using the machine.



Always wear:

- A protective helmet where there is a risk of falling objects
- Approved hearing protection
- Approved eye protection
- A breathing mask should be used when there is a risk of dust.



This product is in accordance with applicable EC directives.



The operator of the machine must ensure, while working, that no persons or animals come closer than 15 meters.



Always wear approved protective gloves.



Wear sturdy, non-slip boots.



Keep all parts of your body away from the hot surfaces.



Warning: rotating parts. Keep hands and feet clear.



Watch out for thrown objects and ricochets.

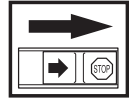


Noise emission to the environment according to the European Community's Directive. The machine's emission is specified in the Technical data chapter and on the label.

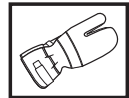


Other symbols/decals on the machine refer to special certification requirements for certain markets.

The engine is switched off by moving the stop switch to the stop position. CAUTION! The stop switch automatically returns to the start position. In order to prevent unintentional starting, the spark plug cap must be removed from the spark plug when assembling, checking and/or performing maintenance.



Always wear approved protective gloves.



Visual check.



CONTENTS

Contents

KEY TO SYMBOLS

Symbols 2

CONTENTS

Contents 3

Note the following before starting: 3

WHAT IS WHAT?

What is what on the sweeper? 4

SAFETY INSTRUCTIONS

Machine's safety equipment 5

Personal protective equipment 5

General safety precautions 6

General working instructions 6

ASSEMBLY

Assembling the sweeper accessory 9

MAINTENANCE

Maintenance schedule 10

TECHNICAL DATA

Technical data 11

EC Declaration of Conformity 11

Note the following before starting:

Please read the operator's manual carefully and make sure you understand the instructions before using the machine.

These instructions supplement the instructions that were included with the machine. For other procedures, please refer to the operating instructions for the machine.

Husqvarna AB has a policy of continuous product development and therefore reserves the right to modify the design and appearance of products without prior notice.

Long-term exposure to noise can result in permanent hearing impairment. So always use approved hearing protection.



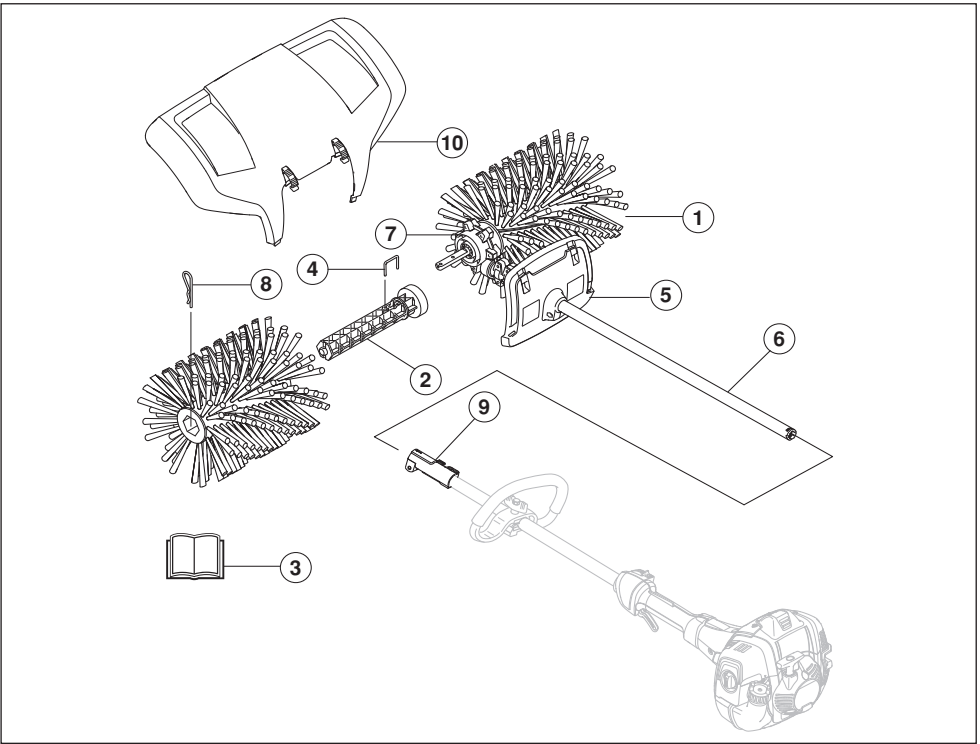
WARNING! Under no circumstances may the design of the machine be modified without the permission of the manufacturer. Always use original accessories. Non-authorized modifications and/or accessories can result in serious personal injury or the death of the operator or others.



WARNING! This accessory may only be used together with the intended brush cutter/trimmer, see under heading "Approved accessories" in chapter Technical data in the machine's Operator's Manual.

The machine is only designed for brushing pathways, asphalt roads and such.

WHAT IS WHAT?



What is what on the sweeper?

- | | | | |
|---|-----------------------------|----|---|
| 1 | Brush drum | 6 | Shaft |
| 2 | Drum axle | 7 | Gear housing |
| 3 | Operator's manual | 8 | Split pin |
| 4 | Locking pin | 9 | Shaft coupling (Belongs to basic machine) |
| 5 | Guard (Protection on shaft) | 10 | Splash guard |

SAFETY INSTRUCTIONS

Machine's safety equipment

This section describes the machine's safety equipment, its purpose, and how checks and maintenance should be carried out to ensure that it operates correctly. See the "What is what?" section to locate where this equipment is positioned on your machine.

The life span of the machine can be reduced and the risk of accidents can increase if machine maintenance is not carried out correctly and if service and/or repairs are not carried out professionally. If you need further information please contact your nearest service workshop.



WARNING! Never use a machine with faulty safety equipment. The machine's safety equipment must be checked and maintained as described in this section. If your machine fails any of these checks contact your service agent to get it repaired.



WARNING! Always stop the engine before you work on any part of the accessory. It can continue to move even after the throttle is released. Ensure the accessory has stopped completely and disconnect the HT leads from the spark plug before you start to work on it.

Personal protective equipment



WARNING! You must use approved personal protective equipment whenever you use the machine. Personal protective equipment cannot eliminate the risk of injury but it will reduce the degree of injury if an accident does happen. Ask your dealer for help in choosing the right equipment. Please read the operator's manual carefully and make sure you understand the instructions before using the machine.



WARNING! Listen out for warning signals or shouts when you are wearing hearing protection. Always remove your hearing protection as soon as the engine stops.

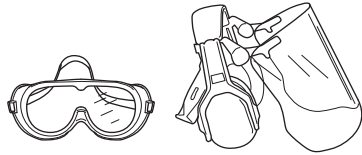
- Gloves should be worn when necessary.



- Wear hearing protection that provides adequate noise reduction.



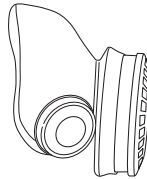
- Always wear approved eye protection. If you use a visor then you must also wear approved protective goggles. Approved protective goggles must comply with the ANSI Z87.1 standard in the USA or EN 166 in EU countries. Blows from branches or objects that are thrown can damage the eyes.



- Wear sturdy, non-slip boots.



- Always wear heavy, long pants, boots, gloves, and a long-sleeve shirt. To reduce the risk of injury associated with objects being drawn into rotating parts, do not wear loose clothing, scarves, jewelry, etc. Secure hair so it is above shoulder level.
- A breathing mask should be used when there is a risk of dust.



- Always have a first aid kit nearby.



SAFETY INSTRUCTIONS

General safety precautions

IMPORTANT!

Only use the machine for the purpose it was intended for. The machine is only designed for brushing pathways, asphalt roads and such.

Never use the machine if you are tired, if you have drunk alcohol, or if you are taking medication that could affect your vision, your judgement or your co-ordination.

Use the personal protective equipment recommended in the manual for the basic machine. Ask your dealer for help in choosing the right protective equipment.

Never use a machine that has been modified in any way from its original specification.

Never use the machine in extreme weather conditions such as severe cold, very hot and/or humid climates.

Never use a machine that is faulty. Carry out the safety checks, maintenance and service instructions described in this manual. Some maintenance and service measures must be carried out by trained and qualified specialists. See instructions under the Maintenance heading.

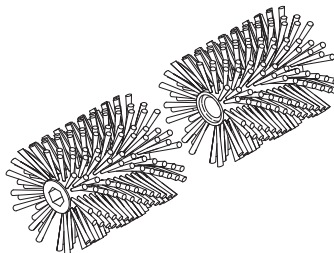
- Never allow children to use the machine.
- The operator of the machine must ensure, while working, that no persons or animals come closer than 15 meters.
- Never allow anyone else to use the machine without first ensuring that they have read and understood the contents of the operator's manual.

Safety instructions before starting work



- Keep unauthorised persons at a distance. Children, animals, onlookers and helpers should be kept outside the safety zone of 15 metres. Stop the machine immediately if anyone approaches.
- Check the entire machine before starting. Replace damaged parts. Check that there are no fuel leaks and that all guards and covers are complete and fastened securely. Check all nuts and screws.

- Check that the brush drums are not damaged and show no signs of cracking or other damage.



When starting from cold:

- Run the basic machine warm and then shut down the machine.
- Mount the accessory as per the assembly instructions.
- When adjusting the carburetor, make sure that the brush drums are held against the ground and that no one else is in the vicinity.
- Make sure the brush drums are idling.
- Make sure that the handle and safety features are in good working order. Never use a machine that lacks a part or has been modified outside its specifications.
- Only use the machine for the purpose it was intended for.

General working instructions

IMPORTANT!

This section describes basic safety rules for using the brush.

If you encounter a situation where you are uncertain how to proceed you should ask an expert. Contact your dealer or your service workshop.

Avoid all usage which you consider to be beyond your capability.

Basic safety rules

Look around you:

- To ensure that people, animals or other things cannot affect your control of the machine.
 - To make sure that none of the above risk coming in contact with the sweeper or loose objects being thrown out.
 - CAUTION! Do not use the machine unless you are able to call for help in the event of an accident.
- 1 Do not use the machine in bad weather, such as dense fog, heavy rain, strong wind, intense cold, etc. Working in bad weather is tiring and often brings added risks, such as icy ground.
 - 2 Make sure you can move and stand safely.

SAFETY INSTRUCTIONS

- 3 The engine must be switched off before moving.
- 4 Never put the machine down with the engine running unless you have it in clear sight.

Basic working techniques

- Always ensure you have a safe and stable working position.



- Always use both hands to hold the machine. Hold the machine at the side of your body.
- Make sure that your hands and feet do not come near the brush when the engine is running.
- When the motor is switched off, keep your hands and feet away from the brush until it has stopped completely.
- Always slow the engine to idle speed after each working operation. Long periods at full throttle without any load on the engine (i.e. without the resistance that the cutting attachment exerts on the engine when you are using the machine) can lead to serious engine damage.
- If heavy vibration occurs, stop the machine. Disconnect the HT lead from the spark plug. Check that the machine is not damaged. Repair any damage.



WARNING! Watch out for thrown objects. Always wear eye protection. Never bend over the brush drum. Stones, rubbish, etc. can be thrown up into the eyes causing blindness or serious injury. Keep unauthorised persons at a distance. Children, animals, onlookers and helpers should be kept outside the safety zone of 15 metres. Stop the machine immediately if anyone approaches. The gear can get hot during use and may remain so for a while afterwards. You could get burnt if you touch it.

- Run the machine at full gas (or nearly full gas) with the brush resting on the surface.

NOTE!

It is both tiring and unnecessary to lift or hold the brush above the surface when working.

- When clearing narrow surfaces such as paths, the machine can be used so that it throws materials straight in front of you. If you want to work on wider surfaces, you may need to work at an angle so that strands form on one side. Strands comprising light materials can be collected into one row or pile for later removal while hard or more bulky materials may need collecting in several strands.



In order to get into corners, remove the splash guard and loosen the accessory coupling and rotate the accessory half a turn.



WARNING! Rubbish will then be thrown back towards the user. Use a lower speed when reversing the machine and remember that it is easy to trip over materials that are thrown out.

SAFETY INSTRUCTIONS

- Keep a small working angle. Too large a working angle can mean you lose control.

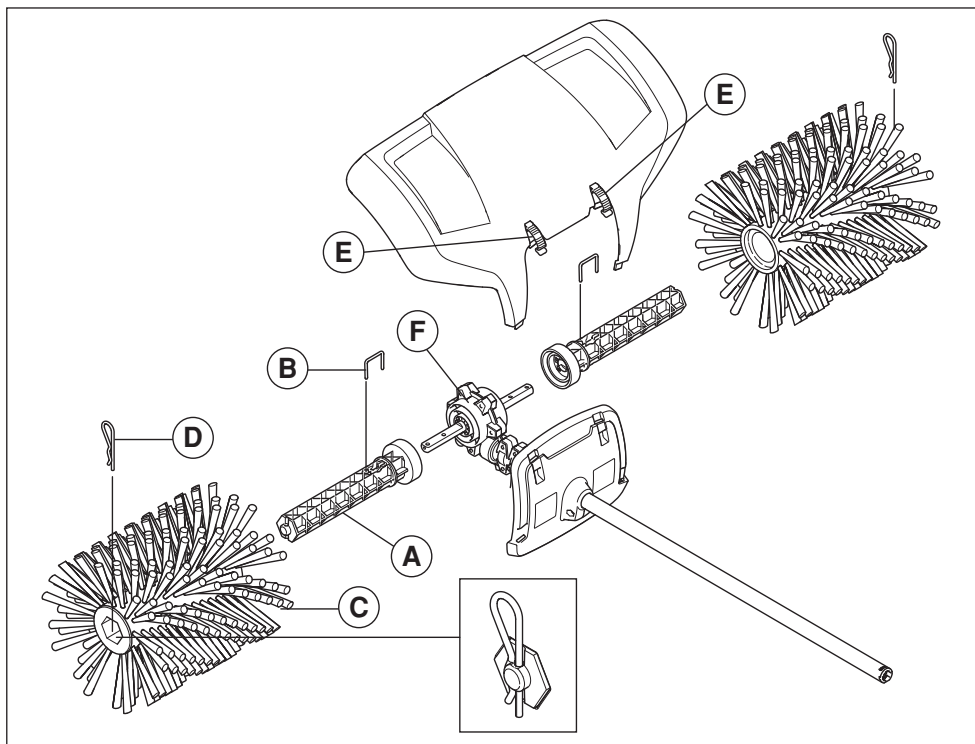


WARNING! Keep a small working angle to the surface. Too large a working angle means the sweeper tends to move towards you and you risk losing control of the machine.

The brush drums can rotate when the sweeper is started. Hold the machine securely when starting. Be observant to objects that can fasten in or be thrown out of the rotating brush drums.

Although the brush drums do not have the same force as lawn mower blades, for example, you should avoid working with materials that can cause personal injury or damage to property if thrown out.

ASSEMBLY



Assembling the sweeper accessory

- 1 Press one of the drum axles (A) onto one of the two outgoing drive shafts from the gear housing (F). Rotate the drum axle if necessary so that the pin hole comes over the corresponding hole in the drive shaft.
- 2 Fasten the roller shaft with locking pin (B).
- 3 Put one of the brush rollers (C) onto the assembled shaft. Press in the roller until it stops.
- 4 Fasten the roller on the shaft with a cotter pin (D). Press in the end slightly when assembling.
- 5 Repeat these steps to assemble the axle and roller on the opposite side.
- 6 Mount the splash guard with the snap-on fasteners (E).
- 7 For assembling accessories on basic machine, refer to manual for basic machine.

MAINTENANCE

Maintenance schedule

Below you will find some general maintenance instructions. If you need further information please contact your service workshop.

IMPORTANT!

Working on the sweeper is often done in dusty conditions. It is extremely important to take care of air filter maintenance regularly, often daily. The air filter must be oiled to work satisfactorily.

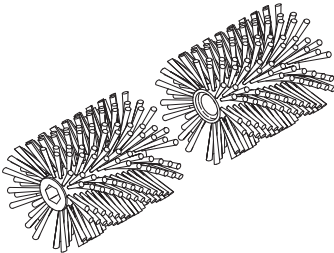
Refer to the product's operator's manual for maintenance instructions.

Daily maintenance



WARNING! The gear housing gets hot when the machine has been in use. To avoid burning yourself do not touch the gear housing.

- Check that the brush drums do not rotate at idle.



- Check that the brush drums are not damaged or cracked. Replace the brush drums if necessary.
- Hang up the brush when in storage for long periods.

Transport and storage

- If transporting the machine on another vehicle always use approved securing devices and make sure that the machine is securely held.
- Ensure the machine is cleaned and that a complete service is carried out before long-term storage.

TECHNICAL DATA

Technical data

Technical data

Sweeper **BR600**

Brush drum width, mm 597

Brush drum diameter, mm 270

Weight

Weight, kg 5,5

Noise emissions

(see note 1)

Sound power level, measured dB (A) 105

Sound power level, guaranteed L_{WA} dB (A) 109

Sound levels

(see note 2)

Equivalent sound pressure level at the operator's ear, measured according to EN ISO 22868, dB(A): 96

Vibrations

(see note 3)

Equivalent vibration levels ($a_{hv,eq}$) at handles, measured according to EN ISO 22867, m/s^2

Front/rear handles: 3,7/6,2

Note 1: Measured together with Husqvarna approved accessories. Noise emissions in the environment measured as sound power (L_{WA}) in conformity with EC directive 2000/14/EC. Reported sound power level for the machine has been measured with the original cutting attachment that gives the highest level. The difference between guaranteed and measured sound power is that the guaranteed sound power also includes dispersion in the measurement result and the variations between different machines of the same model according to Directive 2000/14/EC.

Note 2: Measured together with Husqvarna approved accessories. Reported data for equivalent sound pressure level for the machine has a typical statistical dispersion (standard deviation) of 1 dB (A).

Note 3: Measured together with Husqvarna approved accessories. Reported data for equivalent vibration level has a typical statistical dispersion (standard deviation) of 1 m/s^2 .

EC Declaration of Conformity (Applies to Europe only)

Husqvarna AB, SE-561 82 Huskvarna, Sweden, tel +46-36-146500 declares that the Sweeper accessory **Husqvarna BR600 / Jonsered BR600** comply with the requirements of the COUNCIL'S DIRECTIVE:

- of May 17, 2006 "relating to machinery" **2006/42/EC**.

The following standards have been applied: **SS-EN ISO 12100:2010**

SMP Svensk Maskinprovning AB, Box 7035, SE-750 07 Uppsala, Sweden, has carried out voluntary type approval for Husqvarna AB.

This accessory may only be used together with the intended brush cutter/trimmer, see under heading "Approved accessories" in chapter Technical data in the machine's Operator's Manual. The certificates have the numbers: **SEC/15/2412 - BR600**

Huskvarna February 18, 2015



Per Gustafsson, Development manager (Authorized representative for Husqvarna AB and responsible for technical documentation.)

SYMBOLFÖRKLARING

Symboler

VARNING!

En borste kan felaktigt eller slarvigt använd vara ett farligt redskap, som kan orsaka allvarliga skador eller dödsfall för användaren eller andra. Det är mycket viktigt att du läser och förstår innehållet i denna bruksanvisning.



Läs igenom bruksanvisningen noggrant och förstå innehållet innan du använder maskinen.



Använd alltid:

- Skyddshjälm där det finns risk för fallande föremål.
- Godkända hörselskydd
- Godkända ögonskydd
- Andningsskydd ska användas då det finns risk för damm.



Denna produkt överensstämmer med gällande EG-direktiv.



Användare av maskinen ska under arbetets gång se till att inga människor eller djur kommer närmare än 15 meter.



Använd alltid godkända skyddshandskar.



Använd halkfria och stadiga stövlar.



Akta dig för varma ytor på maskinen.



Varning för roterande delar. Akta händer och fötter.



Varning för utslungade föremål och rikoschetter.

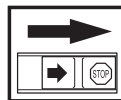


Bulleremissioner till omgivningen enligt Europeiska Gemenskapens direktiv. Maskinens emission anges i kapitel Tekniska data och på dekal.

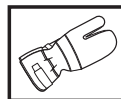


Övriga på maskinen angivna symboler/dekaler avser specifika krav för certifieringar på vissa marknader.

Motorn stängs av genom att stoppkontakten förs till stoppläge. OBS! Stoppkontakten återgår automatiskt till startläge. För att undvika ofrivillig start, måste därför alltid tändhatten avlägsnas från tändstiftet vid montering, kontroll och/eller underhåll.



Använd alltid godkända skyddshandskar.



Okulär kontroll.



Innehåll

SYMBOLFÖRKLARING

Symboler 12

INNEHÅLL

Innehåll 13

Innan start måste följande observeras: 13

VAD ÄR VAD?

Vad är vad på borsten? 14

SÄKERHETSINSTRUKTIONER

Maskinens säkerhetsutrustning 15

Personlig skyddsutrustning 15

Allmänna säkerhetsinstruktioner 16

Allmänna arbetsinstruktioner 16

MONTERING

Montering av borstillsats 19

UNDERHÅLL

Underhållsschema 20

TEKNISKA DATA

Tekniska data 21

EG-försäkran om överensstämmelse 21

Innan start måste följande observeras:

Läs igenom bruksanvisningen noggrant och förstå innehållet innan du använder maskinen.

Denna bruksanvisning är ett komplement till den bruksanvisning som medföljer maskinen. För övrigt handhavande, se maskinens bruksanvisning.

Husqvarna AB arbetar ständigt med att vidareutveckla sina produkter och förbehåller sig därför rätten till ändringar beträffande bl.a. form och utseende utan föregående meddelande.

Långvarig exponering för buller kan ge bestående hörselskador. Använd därför alltid godkända hörselskydd.



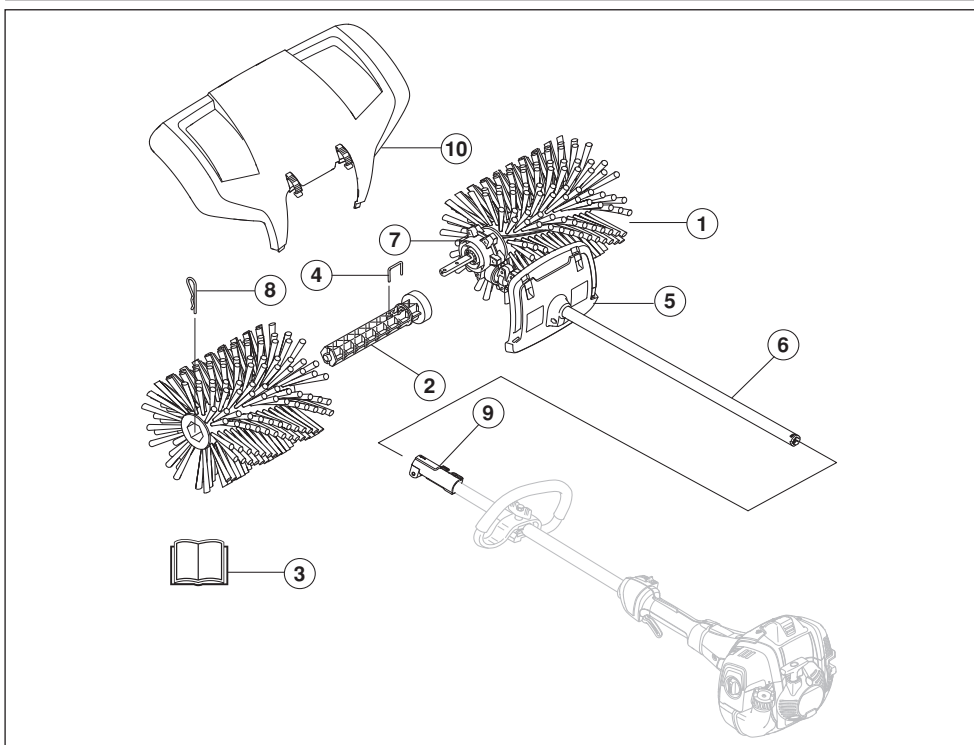
WARNING! Under inga förhållanden får maskinens ursprungliga utformning ändras utan tillstånd från tillverkaren. Använd alltid originaltillbehör. Icke auktoriserade ändringar och/eller tillbehör kan medföra allvarliga skador eller dödsfall för föraren eller andra.



WARNING! Detta tillbehör får endast användas tillsammans med därför avsedda röjsågar/ trimmers, se under rubrik "Godkända tillbehör" i kapitel "Tekniska data" i maskinens bruksanvisning.

Maskinen är endast konstruerad för borstning av gångar, asfaltsvägar och liknande.

VAD ÄR VAD?



Vad är vad på borsten?

- | | |
|---------------------------|---|
| 1 Borstvals | 6 Rigrör |
| 2 Valsaxel | 7 Växelhus |
| 3 Bruksanvisning | 8 Saxsprint |
| 4 Låssprint | 9 Rigrörskoppling (Tillhör basmaskinen) |
| 5 Skydd (Skydd på rigrör) | 10 Stänkskydd |

SÄKERHETSINSTRUKTIONER

Maskinens säkerhetsutrustning

I detta avsnitt förklaras vilka maskinens säkerhetsdetaljer är, vilken funktion de har samt hur kontroll och underhåll skall utföras för att säkerställa att de är i funktion. Se kapitel Vad är vad?, för att hitta var dessa detaljer är placerade på din maskin.

Maskinens livslängd kan förkortas och risken för olyckor kan öka om underhåll av maskinen inte utförs på rätt sätt och om service och/eller reparationer inte utförs fackmannamässigt. Om du behöver ytterligare upplysningar kontakta närmaste serviceverkstad.



WARNING! Använd aldrig en maskin med defekt säkerhetsutrustning. Maskinens säkerhetsutrustning ska kontrolleras och underhållas som beskrivits i detta avsnitt. Om din maskin inte klarar alla kontrollerna ska serviceverkstad uppsökas för reparation.



WARNING! Stanna alltid motorn innan du arbetar med något på tillbehöret. Den kan fortsätta att röra på sig även sedan gasreglaget släppts. Kontrollera att tillbehöret har stannat helt och tag bort kablarna från tändstiftet innan du börjar med något arbete på tillbehöret.

Personlig skyddsutrustning



WARNING! Vid all användning av maskinen skall godkänd personlig skyddsutrustning användas. Personlig skyddsutrustning eliminerar inte skaderisken, men den reducerar effekten av en skada vid ett olyckstillbud. Be din återförsäljare om hjälp vid val av utrustning. Läs igenom bruksanvisningen noggrant och förstå innehållet innan du använder maskinen.



WARNING! Var alltid uppmärksam på varningssignaler eller tillrop när hörselskydd används. Tag alltid av hörselskydden så snart motorn stoppats.

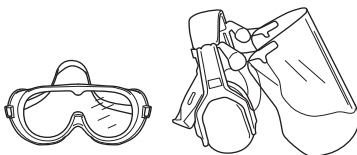
- Handskar ska användas när det behövs.



- Hörselskydd med tillräcklig dämpning ska användas.



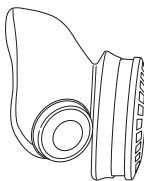
- Godkända ögonskydd skall alltid användas. Används visir måste även godkända skyddsglasögon användas. Med godkända skyddsglasögon menas de som uppfyller standard ANSI Z87.1 för USA eller EN 166 för EU-länder. Slag från grenar eller föremål som kastas iväg kan skada ögonen.



- Använd halkfria och stadiga stövlar.



- Använd rivstarkt material i klädseln och undvik alltför vida kläder som lätt hakar fast i ris och grenar. Använd alltid kraftiga långbyxor och en långarmad skjorta. Bär inte smycken, kortbyxor eller sandaler och gå inte barfota. Se till att håret inte hänger nedanför axlarna.
- Andningskydd ska användas då det finns risk för damm.



- Första förband ska alltid finnas till hands.



SÄKERHETSINSTRUKTIONER

Allmänna säkerhetsinstruktioner

VIKTIGT!

Använd maskinen endast till det den är avsedd för. Maskinen är endast konstruerad för borstning av gångar, asfaltsvågar och liknande.

Använd aldrig maskinen om du är trött, om du har druckit alkohol eller om du tar mediciner, som kan påverka din syn, ditt omdöme eller din kroppskontroll.

Använd den personliga skyddsutrustning som rekommenderas i basmaskinens manual. Be din återförsäljare om hjälp vid val av skyddsutrustning.

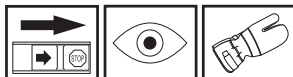
Använd aldrig en maskin som modifierats så att den ej längre överensstämmer med originalutförandet.

Använd aldrig maskinen vid extrema klimafförhållanden såsom sträng kyla eller mycket varmt och/eller fuktigt klimat.

Använd aldrig en maskin som är felaktig. Följ underhålls-, säkerhetskontroll- och serviceinstruktioner i denna bruksanvisning. Vissa underhålls- och serviceåtgärder skall utföras av tränade och kvalificerade specialister. Se anvisningar under rubrik Underhåll.

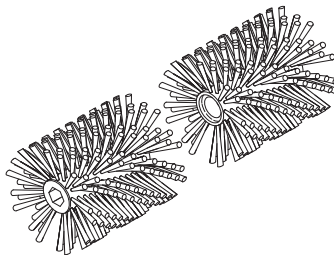
- Tillåt aldrig barn att använda maskinen.
- Användare av maskinen ska under arbetets gång se till att inga människor eller djur kommer närmare än 15 meter.
- Låt aldrig någon annan använda maskinen utan att försäkra dig om att de har läst och förstått innehållet i bruksanvisningen.

Säkerhetsinstruktioner före start



- Håll obehöriga på avstånd. Barn, djur, åskådare och medhjälpare ska befinna sig utanför säkerhetszonen på 15 m. Stanna maskinen omedelbart om någon närmar sig.
- Kontrollera hela maskinen före start. Byt ut skadade delar. Kontrollera att inget bränsle läcker ut och att alla skydd och kåpor är hela och ordentligt fastsatta. Kontrollera alla skruvar och muttrar.

- Kontrollera att borstvalsarna inte har några sprickor eller andra skador.



Vid kallstart:

- Kör basmaskinen varm och stäng sedan av maskinen.
- Montera tillbehöret enligt monteringsanvisning.
- Vid förgasarjustering, se till att borstvalsarna hålls mot marken och att ingen annan finns i närheten.
- Se till att borstvalsarna stannar på tomgång.
- Se till att handtag och säkerhetsfunktioner är i ordning. Använd aldrig en maskin som saknar någon del eller som ändrats utanför specifikationen.
- Använd maskinen endast till det den är avsedd för.

Allmänna arbetsinstruktioner

VIKTIGT!

Detta avsnitt behandlar grundläggande säkerhetsregler för arbete med borsten.

När du råkar ut för en situation som gör dig osäker angående fortsatt användning ska du rådfråga en expert. Vänd dig till din återförsäljare eller din serviceverkstad.

Undvik all användning du anser dig otillräckligt kvalificerad för.

Grundläggande säkerhetsregler

lakta omgivningen:

- För att säkerställa att inte människor, djur eller annat kan påverka din kontroll över maskinen.
 - För att förhindra att de förutnämnda inte riskerar att komma i kontakt med valse eller lösa föremål som slungas iväg.
 - OBS! Använd aldrig maskinen utan möjlighet att kunna påkalla hjälp i händelse av olycka.
- 1 Undvik användning vid ogynnsamma väderleksförhållanden. Exempelvis tät dimma, kraftigt regn, hård vind, stark kyla, osv. Att arbeta i dåligt väder är tröttsamt och kan skapa farliga omständigheter, exempelvis halt underlag.
 - 2 Se till att du kan gå och stå säkert.
 - 3 Vid förflyttning ska motorn stängas av.

SÄKERHETSINSTRUKTIONER

- 4 Ställ aldrig ner maskinen med motorn i drift utan att du har uppsikt över den.

Grundläggande arbetsteknik

- Se alltid till att du har en säker och stadig arbetsposition.



- Använd alltid båda händerna för att hålla i maskinen. Håll maskinen vid sidan av kroppen.
- Se till att händer och fötter inte kommer åt borsten när motorn är i gång.
- När motorn stängts av, håll händer och fötter borta från valsen tills den stannat helt.
- Släpp ner motorn på tomgångsvarvtal efter varje arbetsmoment. Längre tids fullvarv utan att motorn belastas (dvs utan motståndet som motorn upplever via skärutrustningen vid arbete med maskinen) kan ge allvarlig motorskada.
- Om kraftiga vibrationer uppstår, stanna maskinen. Ta bort tändkabeln från tändstiftet. Kontrollera att maskinen inte är skadad. Reparera eventuella skador.



WARNING! Varning för utslungade föremål. Använd alltid ögonskydd. Luta dig aldrig över borstvalsens. Stenar, skräp m.m. kan kastas upp i ögonen och vålla blindhet eller allvarliga skador. Håll obehöriga på avstånd. Barn, djur, åskådare och medhjälpare ska befinna sig utanför säkerhetszonen på 15 m. Stanna maskinen omedelbart om någon närmar sig. Under samt en stund efter användning kan växeln vara varm. Det finns risk för brännskada vid kontakt.

- Kör maskinen på full (eller nästan full) gas med borsten vilande på underlaget.

NOTE!

Det är både tröttsamt och onödigt att lyfta upp eller hålla borsten ovanför underlaget när du arbetar.

- När du ska röja smala ytor som t. ex. trottoarer, kan maskinen användas så att den slungar ut materialet rakt framför dig. Om du vill köra bredare ytor kan du behöva arbeta i vinkel så att strängar bildas på sidan.

Strängar bestående av lätt material kan samlas ihop till en enda rad eller hög för att senare hämtas, medan hårt eller mer skrymmande material kan behöva samlas ihop i flera strängar.



För att komma åt att köra i hörn, ta bort stänkskyddet och lossa tillbehörskopplingen och rotera tillbehöret ett halvt varv.



WARNING! När man vänder maskinen slungas skräp bakåt mot användaren. Använd lägre varvtal när du backar maskinen och tänk på att det är lätt att snubbla över utslungat material.

SÄKERHETSINSTRUKTIONER

- Håll en liten arbetsvinkel. En för stor arbetsvinkel kan medföra att du tappar kontrollen.

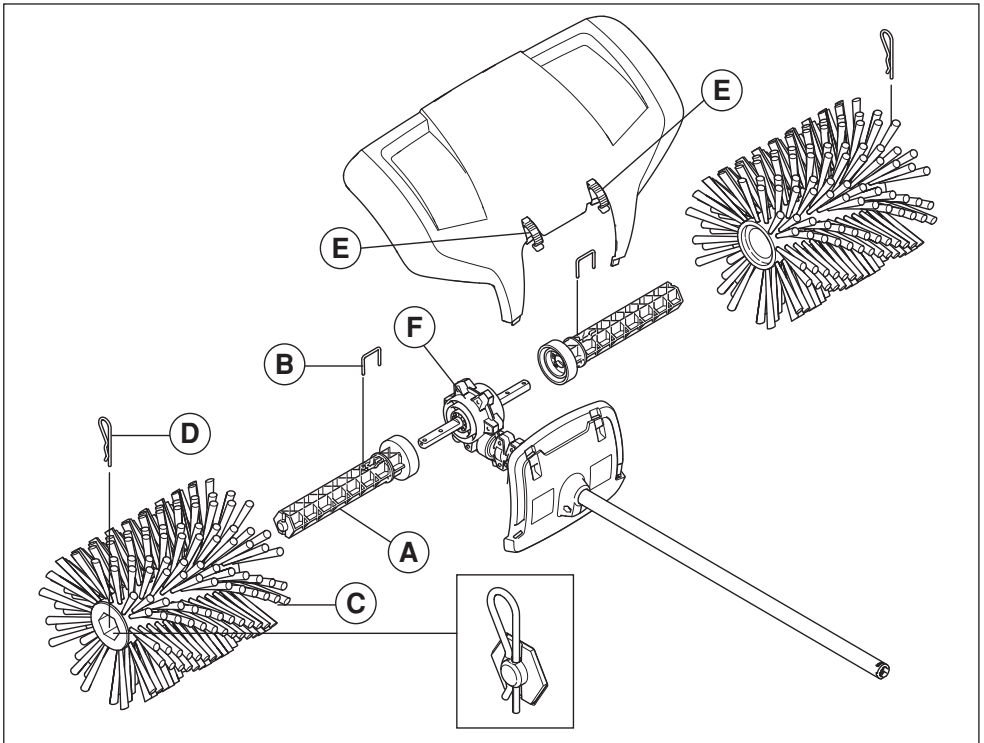


VARNING! Håll en liten arbetsvinkel mot underlaget. Med en stor arbetsvinkel tenderar borsten att röra sig mot dig och riskerar att tappa kontrollen över maskinen.

Borstvalsarna kan rotera när borsten startas. Håll alltid ordentligt i maskinen när du startar den. Akta dig för föremål som kan fastna i eller slungas ut ur de roterande borstvalsarna.

Även om borstvalsarna inte har samma kraft som t ex en gräsklipparkniv bör du undvika att arbeta med material som kan skada person eller egendom när det slungas ut.

MONTERING



Montering av borstillsats

- 1 Tryck på ena valsaxeln (A) på en av de två från växelhuset (F) utgående drivaxlarna. Rotera vid behov valsaxeln tills sprinthålet hamnar över motsvarande hål i drivaxeln.
- 2 Fäst valsaxeln med låsspringen (B).
- 3 Trä på en av borstvalsarna (C) på den monterade axeln. Tryck in valsen tills stopp.
- 4 Fäst valsen på axeln med en saxsprint (D). Tryck in gaveln något vid monteringen.
- 5 Upprepa punkterna för att montera axel och rulle på motstående sida.
- 6 Montera stänkskyddet med hjälp av snäppfästena (E).
- 7 Montering av tillbehör på basmaskin, se basmaskinens manual.

Underhållsschema

Nedan följer några allmänna skötselinstruktioner. Om du behöver ytterligare upplysningar kontakta serviceverkstaden.

VIKTIGT!

Arbetet med borsten sker ofta under dammiga förhållanden. Det är av största vikt att sköta underhållet av luftfiltret regelbundet, ofta dagligen. Luftfiltret ska oljas in för att fungera tillfredsställande.

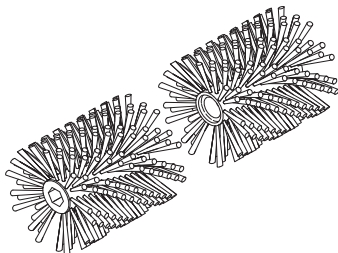
Se produktens bruksanvisning för underhållsinstruktioner.

Daglig tillsyn



VARNING! Vid arbete med maskinen blir växeln varm. För att undvika brännskador ta inte på växeln.

- Kontrollera att borstvalsarna inte roterar på tomgång.



- Kontrollera att borstvalsarna är oskadade och inte har några sprickor. Byt borstvalsarna om det behövs.
- Häng upp borsten vid längre tids förvaring.

Transport och förvaring

- Vid eventuell transport ska Du alltid använda godkända spännanordningar och se till att maskinen är väl förankrad.
- Se till att maskinen är väl rengjord och att fullständig service är utförd innan långtidsförvaring.

TEKNISKA DATA

Tekniska data

Tekniska data

Borste

BR600

Sopvalsbredd, mm

597

Sopvalsdiameter, mm

270

Vikt

Vikt, kg

5,5

Bulleremissioner

(se anm. 1)

Ljudeffektnivå, uppmätt dB(A)

105

Ljudeffektnivå, garanterad L_{WA} dB(A)

109

Ljudnivåer

(se anm. 2)

Ekvivalent ljudtrycksnivå vid användarens öra, uppmätt enligt EN ISO 22868, dB(A):

96

Vibrationer

(se anm. 3)

Ekvivalenta vibrationsnivåer ($a_{Hv,eq}$) i handtag uppmätt enligt EN ISO 22867, m/s^2

Främre/bakre handtag:

3,7/6,2

Anm. 1: Uppmätt tillsammans med Husqvarna godkända tillbehör. Emission av buller till omgivningen uppmätt som ljudeffekt (L_{WA}) enligt EG-direktiv 2000/14/EG. Redovisad ljudeffektnivå för maskinen är med den original skärutrustning som ger högst nivå. Skillnaden mellan garanterad och uppmätt ljudeffekt är att den garanterade ljudeffekten även inkluderar spridning i mätresultat och variation mellan exemplar av samma modell enligt Direktiv 2000/14/EG.

Anm. 2: Uppmätt tillsammans med Husqvarna godkända tillbehör. Redovisade data för ekvivalent ljudtrycksnivå för maskinen har ett typiskt spridningsmått (standardavvikelse) på 1 dB (A).

Anm. 3: Uppmätt tillsammans med Husqvarna godkända tillbehör. Redovisade data för ekvivalent vibrationsnivå har ett typiskt spridningsmått (standardavvikelse) på 1 m/s^2 .

EG-försäkran om överensstämmelse (Gäller endast Europa)

Husqvarna AB, SE-561 82 Huskvarna, Sverige, tel +46-36-146500, försäkrar härmed att Borsttillsats **Husqvarna BR600 / Jonsered BR600** motsvarar föreskrifterna i RÅDETS DIREKTIV:

- av den 17 maj 2006 "angående maskiner" **2006/42/EG**.

Följande standarder har tillämpats: **SS-EN ISO 12100:2010**

SMP Svensk Maskinprovning AB, Box 7035, SE-750 07 Uppsala, Sverige, har utfört frivillig typkontroll åt Husqvarna AB.

Detta tillbehör får endast användas tillsammans med därför avsedda röjsågar/ trimmers, se under rubrik "Godkända tillbehör" i kapitel "Tekniska data" i maskinens bruksanvisning. Certifikaten har nummer: **SEC/15/2412 - BR600**

Huskvarna 18 februari 2015



Per Gustafsson, Utvecklingschef (Bemyndigad representant för Husqvarna AB samt ansvarig för tekniskt underlag.)

SYMBOLFORKLARING

Symboler

ADVARSEL!

En kost kan ved forkert eller skødesløs brug være et farligt redskab, som kan medføre alvorlige skader eller dødsfald for brugeren eller andre. Det er meget vigtigt, at du læser og forstår indholdet i denne brugsanvisning.



Læs brugsanvisningen omhyggeligt igennem og forstå indholdet, inden du bruger maskinen.



Brug altid:

- Sikkerhedshjelm, hvor der er risiko for nedfaldende genstande
- Godkendt høreværn
- Godkendt øjenværn
- Andedrætsværn skal anvendes hvor der findes risiko for støv.



Dette produkt er i overensstemmelse med gældende CE-direktiv.



Brugeren af maskinen skal under arbejdets udførelse sørge for, at ingen mennesker eller dyr kommer nærmere end 15 meter.



Brug altid godkendte beskyttelseshandsker.



Brug skridsikre og stabile støvler.



Hold alle dele af kroppen på sikker afstand af varme overflader.



Advarsel: Roterende dele. Hold hænder og fødder på sikker afstand.



Pas på udslyngede genstande og rikolettering.

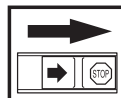


Støjemissioner til omgivelserne i henhold til EF-direktiv. Maskinens emission fremgår af kapitlet Tekniske data og af en mærkat.

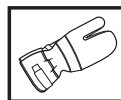


Andre symboler/etiketter på maskinen gælder specifikke krav for certificering på visse markeder.

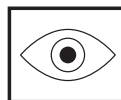
Motoren standses ved at sætte stopkontakten på stop. BEMÆRK! Stopkontakten skifter automatisk til startposition. For at undgå utilsigtet start skal tændhætten derfor altid tages af tændrøret ved montering, kontrol og/eller vedligeholdelse.



Brug altid godkendte beskyttelseshandsker.



Visuel kontrol.



Indhold

SYMBOLFORKLARING

Symboler 22

INDHOLD

Indhold 23

Inden start skal du være opmærksom på følgende: 23

HVAD ER HVAD?

Hvad er hvad på kosten? 24

SIKKERHEDSINSTRUKTIONER

Maskinens sikkerhedsudstyr 25

Personligt beskyttelsesudstyr 25

Generelle sikkerhedsinstruktioner 26

Generelle arbejdsinstruktioner 26

MONTERING

Montering af kosttilbehøret 29

VEDLIGEHOLDELSE

Vedligeholdelseskema 30

TEKNISKE DATA

Tekniske data 31

EF-overensstemmelseserklæring 31

Inden start skal du være opmærksom på følgende:

Læs brugsanvisningen omhyggeligt igennem og forstå indholdet, inden du bruger maskinen.

Denne brugsanvisning er et supplement til den brugsanvisning, som medfølger maskinen. Se maskinens brugsanvisning for øvrig håndtering.

Husqvarna AB forsøger hele tiden at videreudvikle sine produkter og forbeholder sig derfor ret til ændringer af bl.a. form og udseende uden forudgående varsel.

Langvarig eksponering for støj kan medføre permanente høreskader. Brug derfor altid godkendt høreværn.



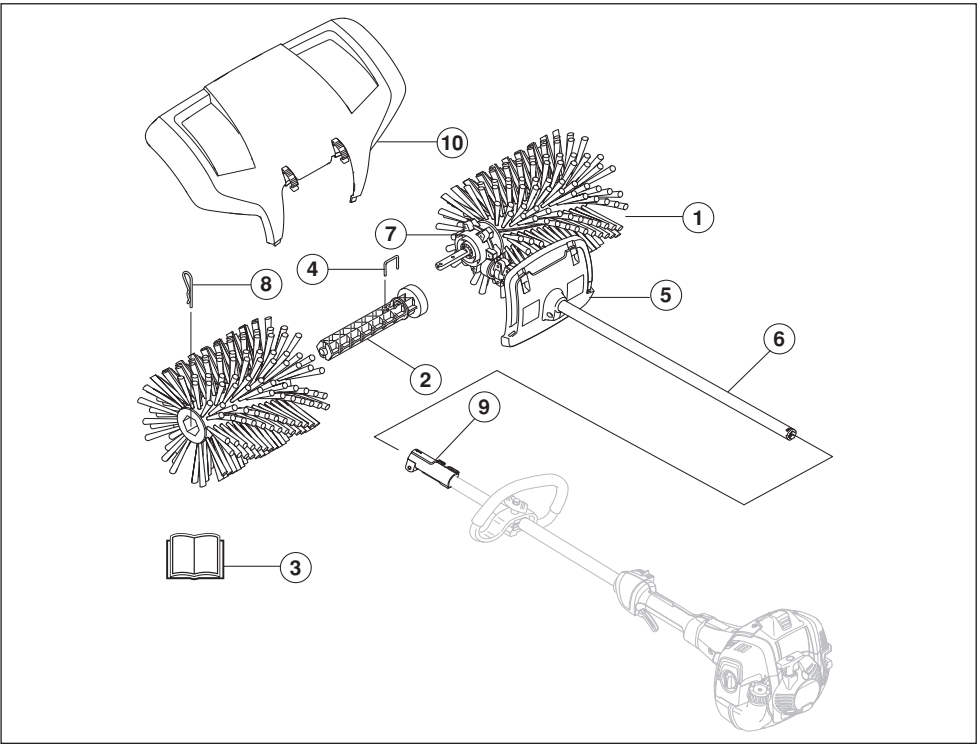
ADVARSEL! Maskinens oprindelige udformning må under ingen omstændigheder ændres uden producentens samtykke. Brug altid originaltilbehør. Ikke-autoriserede ændringer og/eller ikke-godkendt tilbehør kan medføre alvorlige skader eller døden for brugeren eller andre.



ADVARSEL! Dette tilbehør må kun bruges sammen med dertil egnede ryddesave/trimmere, se under overskriften "Godkendt tilbehør" i afsnittet "Tekniske data" i brugsanvisningen til redskabet.

Maskinen er kun beregnet til fejing af stier, asfalterede veje og lignende.

HVAD ER HVAD?



Hvad er hvad på kosten?

- | | |
|---------------------------------------|---|
| 1 Børstetromle | 6 Styrestang |
| 2 Tromleaksel | 7 Gearhus |
| 3 Brugsanvisning | 8 Låsestift |
| 4 Låsestift | 9 Styrestangskobling (tilhører basismaskinen) |
| 5 Beskyttelse (Beskyttelse på akslen) | 10 Stænkbeskyttelse |

SIKKERHEDSINSTRUKTIONER

Maskinens sikkerhedsudstyr

I dette afsnit forklares mere om maskinens sikkerhedsdetaljer, hvilken funktion de har, samt hvordan kontrol og vedligeholdelse skal udføres for at sikre, at de fungerer. Se kapitel Hvad er hvad? for at se, hvor disse detaljer er placeret på maskinen.

Maskinens levetid kan forkortes, og risikoen for ulykker kan øges, hvis maskinen ikke vedligeholdes korrekt, og hvis service og/eller reparation ikke udføres fagligt korrekt. Hvis du har brug for yderligere oplysninger, kan du kontakte nærmeste serviceværksted.



ADVARSEL! Brug aldrig en maskine med defekt sikkerhedsudstyr. Maskinens sikkerhedsudstyr skal kontrolleres og vedligeholdes som beskrevet i dette afsnit. Klarer maskinen ikke alle kontrollerne, skal du kontakte et serviceværksted for at få den repareret.



ADVARSEL! Stop altid motoren, før du begynder at arbejde på eventuelle dele af redskabet. Det kan fortsætte med at køre, efter at gashåndtaget slippes. Kontrollér, at redskabet er standset helt, og fjern kablerne fra tændrøret, inden du begynder at arbejde på redskabet.

Personligt beskyttelsesudstyr



ADVARSEL! Ved enhver anvendelse af maskinen skal der bruges godkendt personligt beskyttelsesudstyr. Det personlige beskyttelsesudstyr udelukker ikke risikoen for skader, men det mindsker effekten af en skade ved en ulykke. Bed din forhandler om hjælp ved valg af udstyr. Læs brugsanvisningen omhyggeligt igennem og forstå indholdet, inden du bruger maskinen.



ADVARSEL! Vær altid opmærksom på advarselssignaler eller tilråb, når høreværnet bruges. Tag altid høreværnet af, så snart motoren er standset.

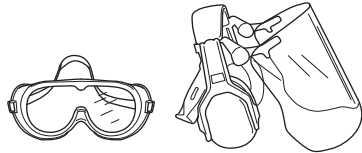
- Handsker skal benyttes, når det er nødvendigt.



- Høreværn med tilstrækkelig dæmpning skal bruges.



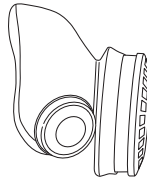
- Godkendt øjenværn skal altid anvendes. Hvis der anvendes visir, skal der også anvendes godkendte beskyttelsesbriller. Med godkendte beskyttelsesbriller menes briller, som opfylder standarden ANSI Z87.1 for USA eller EN 166 for EU-lande. Slag fra grene eller genstande som kastes bort kan beskadige øjnene.



- Brug skridsikre og stabile støvler.



- Bær altid tunge, lange bukser, støvler, handsker og en langærmet skjorte. For at reducere risikoen for personskade som følge af, at genstande bliver trukket ind i roterende dele, må du ikke bære løsthængende tøj, tørklæder, smykker osv. Sørg for, at dit hår er over skulderhøjde.
- Åndedrætsværn skal anvendes hvor der findes risiko for støv.



- Forbindingskasse skal altid findes i nærheden.



SIKKERHEDSINSTRUKTIONER

Generelle sikkerhedsinstruktioner

VIGTIGT!

Brug kun maskinen til det formål, den er beregnet til. Maskinen er kun beregnet til fejning af stier, asfalterede veje og lignende.

Brug aldrig maskinen, hvis du er træt, hvis du har drukket alkohol, eller hvis du tager medicin, som kan påvirke dit syn, dit overblik eller din kropskontrol.

Brug personligt beskyttelsesudstyr som anbefalet i instruktionsbogen til basismaskinen. Bed din forhandler om hjælp til at vælge det rette beskyttelsesudstyr.

Brug aldrig en maskine, der er blevet ændret, så den ikke længere svarer til originalmodellen.

Anvend aldrig maskinen ved ekstreme klimaforhold såsom streng kulde eller meget varmt og/eller fugtigt klima.

Brug aldrig en maskine, som er behæftet med fejl. Følg sikkerhedskontrol-, vedligeholdelses- og serviceinstruktionerne i denne brugsanvisning. Visse vedligeholdelses- og serviceforanstaltninger må kun udføres af erfarne og kvalificerede specialister. Se anvisningerne under overskriften Vedligeholdelse.

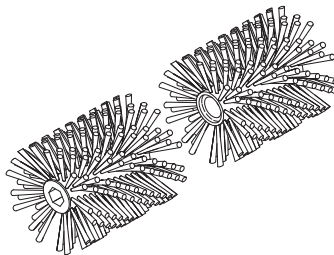
- Tillad aldrig børn at bruge maskinen.
- Brugeren af maskinen skal under arbejdets udførelse sørge for, at ingen mennesker eller dyr kommer nærmere end 15 meter.
- Lad aldrig andre bruge maskinen, uden at du har sikret dig, at vedkommende har forstået indholdet i brugsanvisningen.

Sikkerhedsinstruktioner inden start



- Hold uvedkommende på afstand. Børn, dyr, tilskuere og medhjælpere skal befinde sig uden for sikkerhedszonen på 15 meter. Stands omgående maskinen, hvis nogen nærmer sig.
- Kontrollér hele maskinen før start. Udskift beskadigede dele. Kontrollér, at brændstof ikke lækker, og at alle beskyttelsesanordninger og dæksler er intakte og spændt ordentlig fast. Kontrollér alle skruer og møtrikker.

- Kontrollér, at børstetromlerne er intakte og ikke har revner eller andre skader.



Ved koldstart:

- Kør basismaskinen, indtil den er varm, og sluk derefter maskinen.
- Monter redskabet som beskrevet i monteringsanvisningen.
- Ved justering af karburatoren skal du sørge for, at børstetromlerne holdes mod jorden, og at ingen andre personer er i nærheden.
- Sørg for, at børstetromlerne er i tomgang.
- Kontrollér, at håndtaget og sikkerhedsfunktioner er i orden. Brug aldrig en maskine, som mangler dele eller er ændret i strid med specifikationerne.
- Brug kun maskinen til det formål, den er beregnet til.

Generelle arbejdsinstruktioner

VIGTIGT!

Dette afsnit omhandler grundlæggende sikkerhedsregler for arbejde med børsten.

Når du kommer ud for en situation, som gør dig usikker med hensyn til fortsat brug, skal du spørge en ekspert til råds. Henvend dig til din forhandler eller dit serviceværksted.

Undgå al brug, som du ikke synes, du er tilstrækkeligt kvalificeret for.

Grundlæggende sikkerhedsregler

Hold øje med omgivelserne:

- For at du kan være sikker på, at hverken mennesker, dyr eller andet kan påvirke din kontrol over maskinen.
 - For at sikre, at intet af det ovennævnte risikerer at komme i kontakt med kosten eller løse genstande, der slynges ud.
 - **BEMÆRK!** Brug aldrig maskinen uden mulighed for at kunne tilkalde hjælp i tilfælde af en ulykke.
- 1 Undgå anvendelse i dårligt vejr. F.eks. i tæt tåge, kraftig regn, hård vind og kraftig kulde osv. At arbejde i dårligt vejr er trættende og kan skabe farlige situationer, f.eks. ved glat underlag.
 - 2 Sørg for, at du kan gå og stå sikkert.

SIKKERHEDSINSTRUKTIONER

- 3 Under transport skal motoren slukkes.
- 4 Stil aldrig maskinen ned på jorden med motoren i drift, uden at du har den under opsyn.

Grundlæggende arbejdsteknik

- Sørg altid for, at du har en sikker og stabil arbejdsposition.



- Brug altid begge hænder til at holde maskinen. Hold maskinen på siden af kroppen.
- Sørg for, at hænder og fødder ikke kommer i nærheden af børsten, når motoren er i gang.
- Når motoren slukkes, skal du holde hænder og fødder væk fra børsten, indtil den er standset helt.
- Lad motoren gå i tomgang efter hvert arbejdsmoment. Køres motoren i lang tid ved fulde omdrejninger, uden at motoren belastes (dvs. uden den modstand, som motoren udsættes for via skæreudstyret ved arbejde med maskinen), kan det give alvorlig motorskade.
- Hvis der opstår kraftige vibrationer, skal du øjeblikkeligt standse motoren. Fjern tændrørskablet fra tændrøret. Kontrollér, at maskinen ikke er beskadiget. Reparer eventuelle skader.



ADVARSEL! Pas på udslyngede genstande. Brug altid beskyttelsesbriller. Bøj dig aldrig ind over børstetromlerne. Sten, skidt m.m. kan blive slynget op i øjnene og forårsage blindhed eller alvorlige skader. Hold uvedkommende på afstand. Børn, dyr, tilskuere og medhjælpere skal befinde sig uden for sikkerhedszonen på 15 meter. Stands omgående maskinen, hvis nogen nærmer sig. Under og et stykke tid efter anvendelse kan gearet være varmt. Der er derfor risiko for forbrændinger ved kontakt.

- Kør maskinen med fuld gas (eller næsten fuld gas) med børsten hvilende på underlaget.

NOTE!

Det er både trættende og unødvendigt at løfte eller holde børsten over jorden under arbejdet.

- Når du renser smalle flader, som f.eks. stier, kan maskinen bruges, så den slynger materialer lige foran dig. Hvis du vil arbejde på bredere flader, kan du eventuelt være nødt til at arbejde skråt, så materialet lægger sig i smalle rækker på den ene side. Smalle rækker af lette materialer kan samles i én række eller bunke til senere afhentning, mens det kan være nødvendigt at opsamle hårde eller mere uhåndterlige materialer i flere omgange.



For at komme ind i hjørner fjernes stænkskærmen, løsnes redskabets kobling, og redskabet drejes en halv omgang.



ADVARSEL! Affaldet vil så blive slynget tilbage mod brugeren. Sænk hastigheden ved vending af maskinen, og husk, at man let kan falde over materialer, der slynges ud.

SIKKERHEDSINSTRUKTIONER

- Hold ikke maskinen for stejlt. Hvis den holdes for stejlt, kan du miste kontrollen.

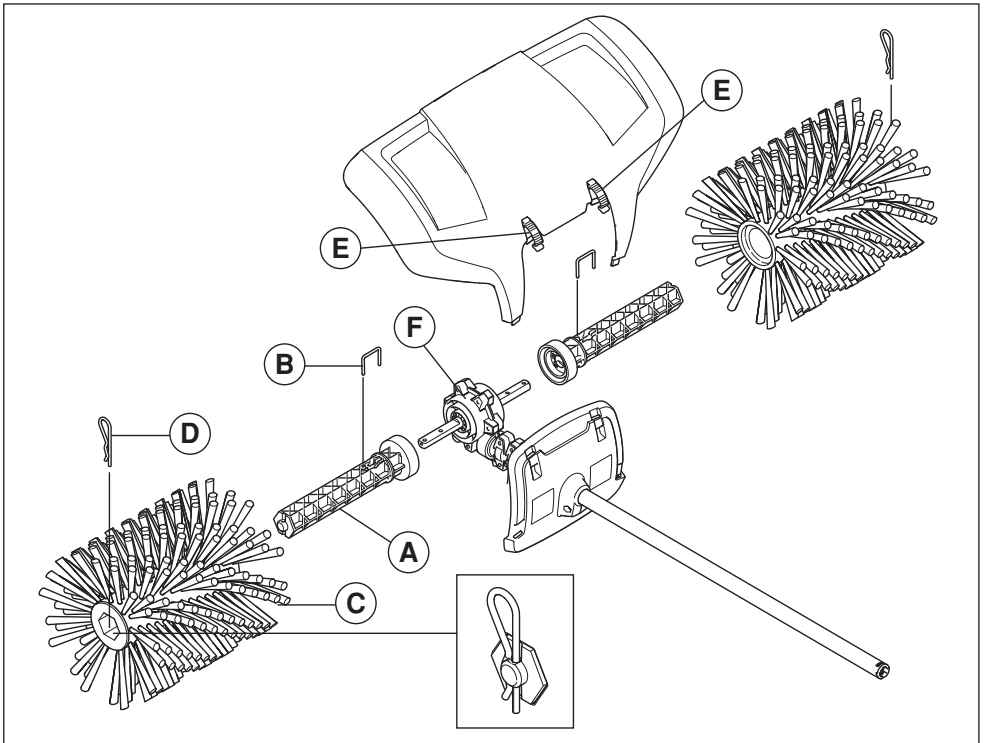


ADVARSEL! Hold en lav arbejdsvinkel i forhold til overfladen. Ved for stejl arbejdsvinkel vil kosten have tendens til at bevæge sig mod dig, og du risikerer at miste kontrollen over maskinen.

Børstetromlerne kan dreje, når kosten startes. Hold godt fast på maskinen, når den startes. Vær opmærksom på genstande, der kan sætte sig fast i de roterende børstetromler eller slynges ud af dem.

Selv om børstetromlerne ikke har samme kraft som f.eks. plæneklipperknive, skal du undgå at arbejde med materialer, der kan medføre personskaade eller skade på ejendom, hvis de slynges ud.

MONTERING



Montering af kosttilbehøret

- 1 Tryk en af tromleakslerne (A) fast på en af de to drivakser, der stikker ud af gearhuset (F). Drej om nødvendigt tromleakslen, så hullet til boltene placeres over det tilsvarende hul i drivakslen.
- 2 Fastgør rulleakslen med låsestiften (B).
- 3 Sæt en af børsterullerne (C) på den formonterede aksel. Tryk rullen ind, indtil den stopper.
- 4 Fastgør rullen på akslen med en hårnålesplit (D). Tryk enden af smule ind under monteringen.
- 5 Gentag disse trin for at montere akslen og rullen på den modsatte side.
- 6 Monter stænkskærmen med snaplåsene (E).
- 7 Ved montering af tilbehør på basismaskinen skal du se manualen for basismaskinen.

Vedligeholdelsesskema

Nedenfor følger nogle generelle vedligeholdelsesinstruktioner. Hvis du har brug for yderligere oplysninger, kan du kontakte serviceværkstedet.

VIGTIGT!

Arbejde med kosten foregår ofte under støvede forhold. Det er yderst vigtigt at sørge for regelmæssig vedligeholdelse af luftfilteret, ofte dagligt. Luftfilteret skal smøres, for at det virker korrekt.

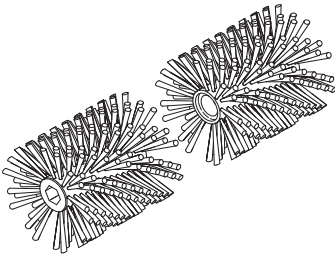
Se instruktionsbogen til produktet angående vedligeholdelsesanvisninger.

Dagligt eftersyn



ADVARSEL! Efter arbejde med maskinen bliver gearkassen varm. Rør ikke ved gearkassen for at undgå forbrændinger.

- Kontrollér, at børstetromlerne ikke roterer i tomgang.



- Kontrollér, at børstetromlerne er intakte og fri for revner. Udskift børstetromlerne om nødvendigt.
- Hæng børsten op, når den skal opbevares i længere tid.

Transport og opbevaring

- Under eventuel transport skal du altid anvende godkendte anordninger for fastspænding og sørge for, at maskinen er godt fastgjort.
- Sørg for, at maskinen er ordentligt rengjort, og at der er udført fuldstændig service, inden langtidsofopbevaring.

TEKNISKE DATA

Tekniske data

Tekniske data

Kost BR600

Børstestromlebredde, mm 597

Børstestromlediameter, mm 270

Vægt

Vægt, kg 5,5

Støjemissioner

(se anm. 1)

Lydeffektniveau, målt dB(A) 105

Lydeffektniveau, garanteret L_{WA} dB(A) 109

Lydniveauer

(se anm. 2)

Ækvivalent lydtryksniveau ved brugerens ører målt i henhold til EN ISO 22868, dB(A): 96

Vibrationer

(se anm. 3)

Ækvivalente vibrationsniveauer ($a_{hv,eq}$) i håndtag målt i henhold til EN ISO 22867, m/s^2

Forreste/bageste håndtag: 3,7/6,2

Anm. 1: Målt sammen med godkendt tilbehør fra Husqvarna. Emission af støj til omgivelserne målt som lydeffekt (L_{WA}) i henhold til Rådets direktiv 2000/14/EF. Rapporteret lydeffektniveau for maskinen er målt med det originale skæredstyr, der giver det højeste niveau. Forskellen mellem garanteret og målt lydeffekt er, at den garanterede lydeffekt også omfatter spredning i måleresultatet og variationerne mellem forskellige maskiner af samme model i henhold til direktivet 2000/14/EF.

Anm. 2: Målt sammen med godkendt tilbehør fra Husqvarna. Rapporterede data for ækvivalent lydtryksniveau for maskinen har en typisk statistisk spredning (standardafvigelse) på 1 dB (A).

Anm. 3: Målt sammen med godkendt tilbehør fra Husqvarna. Rapporterede data for et ækvivalent vibrationsniveau har en typisk statistisk spredning (standardafvigelse) på 1 m/s^2 .

EF-overensstemmelseserklæring (Gælder kun Europa)

Husqvarna AB, SE-561 82 Huskvarna, Sverige, tlf. +46-36-146500 erklærer hermed, at opsamlertilbehøret **Husqvarna BR600 / Jonsered BR600** opfylder kravene i RÅDETS DIREKTIV:

- af den 17. maj 2006 "angående maskiner" **2006/42/EF**.

Følgende standard er opfyldt: **SS-EN ISO 12100:2010**

SMP Svensk Maskinprovning AB, Box 7035, SE-750 07 Uppsala, Sverige har udført frivillig EU-typekontrol for Husqvarna AB.

Dette tilbehør må kun bruges sammen med dertil egnede ryddesave/trimmere, se under overskriften "Godkendt tilbehør" i afsnittet "Tekniske data" i brugsanvisningen til redskabet. Certifikaterne har nummer: **SEC/15/2412** - BR600

Huskvarna, den 18. februar 2015



Per Gustafsson, udviklingschef (Autoriseret repræsentant for Husqvarna AB og ansvarlig for teknisk dokumentation.)

SYMBOLFORKLARING

Symboler

ADVARSEL!

En oppsamler kan være et farlig redskap hvis den brukes feilaktig eller uforsiktig, og det kan resultere i alvorlige skader eller dødsfall for brukeren og andre. Det er meget viktig at du leser og forstår innholdet i denne bruksanvisningen.



Les nøye gjennom bruksanvisningen og forstå innholdet før du bruker maskinen.



Bruk alltid:

- Vernehjelm dersom det kan foreligge fare for fallende gjenstander.
- Godkjent hørselsvern
- Godkjent øyevern
- Åndedrettsvern skal brukes når det er risiko for støv.



Dette produktet er i overensstemmelse med gjeldende CE-direktiv.



Bruker av maskinen skal sørge for at ikke mennesker eller dyr kommer nærmere enn 15 meter mens arbeidet pågår.



Bruk alltid godkjente vernehansker.



Bruk sklisikre og solide støvler.



Hold alle deler av kroppen borte fra varme overflater.



Advarsel: Roterende deler. Hold hender og føtter unna.



Se opp for gjenstander som slynges ut og rikosjetterer.

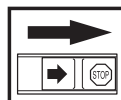


Støyutslipp til omgivelsene ifølge EFs direktiv. Maskinens utslipp angis i kapitlet Tekniske data og på klistremerke.

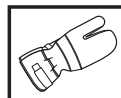


Øvrige symboler/klistremerker angitt på maskinen gjelder spesifikke krav for sertifiseringer på visse markeder.

Motoren slås av ved at stoppekontakten føres til stoppstilling. OBS! Stoppekontakten går automatisk tilbake til startstilling. For å unngå ufrivillig start, må derfor tennpluggheten alltid tas av tennpluggen ved montering, kontroll og/eller vedlikehold.



Bruk alltid godkjente vernehansker.



Visuell kontroll.



Innhold

SYMBOLFORKLARING

Symboler 32

INNHOOLD

Innhold 33

Før start må man legge merke til følgende: 33

HVA ER HVA?

Hva er hva på oppsamleren? 34

SIKKERHETSINSTRUKSJONER

Maskinens sikkerhetsutstyr 35

Personlig verneutstyr 35

Generelle sikkerhetsinstruksjoner 36

Generelle arbeidsinstruksjoner 36

MONTERING

Montere oppsamlerutrustningen 39

VEDLIKEHOLD

Vedlikeholdsskjema 40

TEKNISKE DATA

Tekniske data 41

EF-erklæring om samsvar 41

Før start må man legge merke til følgende:

Les nøye gjennom bruksanvisningen og forstå innholdet før du bruker maskinen.

Denne bruksanvisningen er et supplement til bruksanvisningen som følger med maskinen. Når det gjelder øvrig bruk, viser vi til maskinens bruksanvisning.

Husqvarna AB arbeider løpende med å videreutvikle sine produkter, og forbeholder seg derfor retten til endringer vedrørende bl.a. form og utseende uten varsel.

Langvarig eksponering overfor støy kan gi varige hørselsskader. Bruk derfor alltid godkjent hørselsvern.



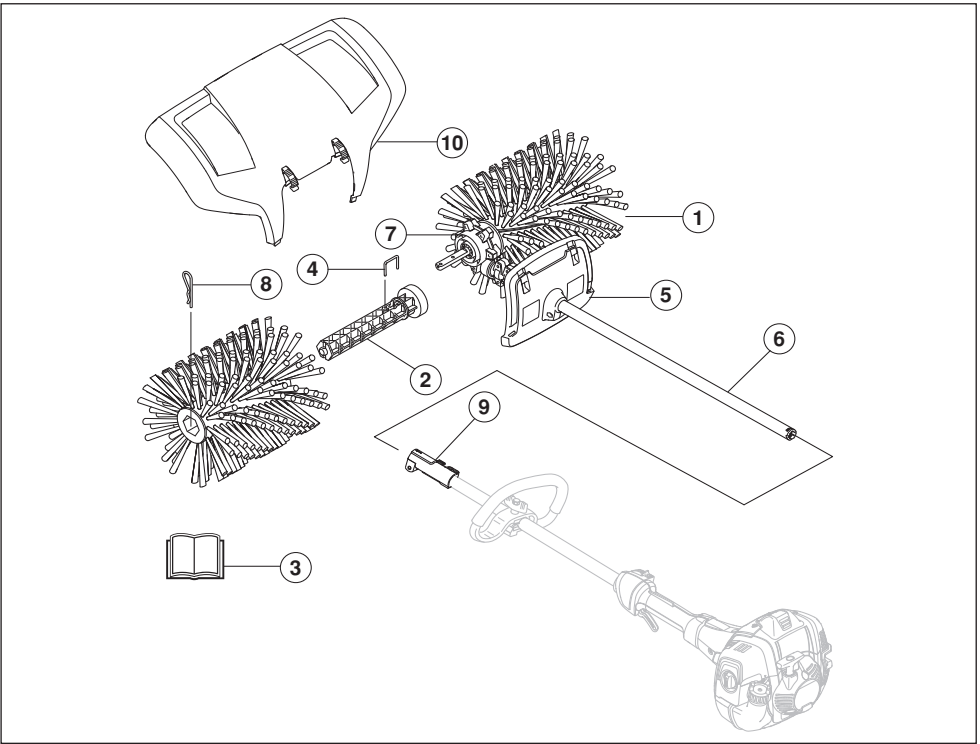
ADVARSEL! Maskinens opprinnelige konstruksjon må ikke under noen omstendighet endres uten produsentens tillatelse. Bruk alltid originalt tilleggsutstyr. Uautoriserte endringer og/eller tilleggsutstyr kan medføre alvorlige skader eller dødsfall for brukeren eller andre.



ADVARSEL! Dette tilbehøret må kun brukes sammen med de ryddesager/trimmere som det er produsert for, se under overskriften "Godkjente tilbehør" i kapittelet "Tekniske data" i maskinens bruksanvisning.

Maskinen er kun konstruert for å børste gangveier, asfaltveier og liknende.

HVA ER HVA?



Hva er hva på oppsamleren?

- | | | | |
|---|--------------------------------------|----|---|
| 1 | Børstetrommel | 6 | Riggrør |
| 2 | Trommelaksel | 7 | Girhus |
| 3 | Bruksanvisning | 8 | Låsesplint |
| 4 | Låsepinne | 9 | Riggrørkoplring (Tilhører grunnleggende maskin) |
| 5 | Beskyttelse (Beskyttelse på skaftet) | 10 | Sprutbeskyttelse |

SIKKERHETSINSTRUKSJONER

Maskinens sikkerhetsutstyr

I dette avsnittet forklares hvilket sikkerhetsutstyr maskinen er utstyrt med, hvilken funksjon det har og hvordan man utfører kontroll og vedlikehold for å være sikker på at utstyret fungerer. Se kapitlet Hva er hva? for å se hvor disse delene er plassert på din maskin.

Maskinens levetid kan forkortes og risikoen for ulykker kan øke dersom vedlikehold av maskinen ikke utføres på riktig måte og dersom service og/eller reparasjoner ikke er fagmessig utført. Kontakt nærmeste serviceverksted dersom du trenger ytterligere opplysninger.



ADVARSEL! Bruk aldri en maskin med defekt sikkerhetsutstyr. Maskinens sikkerhetsutstyr skal kontrolleres og vedlikeholdes som beskrevet i dette avsnittet. Hvis maskinen ikke består alle kontrollene, må serviceverksted oppsøkes for reparasjon.



ADVARSEL! Stopp alltid motoren før du gjør noe som helst arbeid på tilbehøret. Deler kan fortsette å bevege seg selv etter at gassen slippes. Kontroller at tilbehøret har stanset helt, og koble kablet fra tennpluggen før du gjør noe arbeid på det.

Personlig verneutstyr



ADVARSEL! Ved all bruk av maskinen skal det brukes godkjent personlig verneutstyr. Personlig verneutstyr eliminerer ikke skaderisikoen, men det reduserer virkningen av en skade hvis ulykken skulle være ute. Be forhandleren om hjelp ved valg av utstyr. Les nøye gjennom bruksanvisningen og forstå innholdet før du bruker maskinen.



ADVARSEL! Vær alltid oppmerksom på varsignaler eller tilrop ved bruk av hørselsvern. Ta alltid av hørselsvernet så snart motoren er stanset.

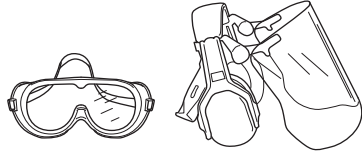
- Hansker skal brukes ved behov.



- Hørselsvern med tilstrekkelig lydtdempende virkning skal brukes.



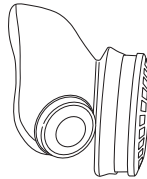
- Godkjent øyevern skal alltid brukes. Ved bruk av visir skal det også brukes godkjente vernebriller. Godkjente vernebriller er slike som tilfredsstillende standard ANSI Z87.1 for USA eller EN 166 for EU-land. Slag fra greiner eller gjenstander som blir kastet i vei kan skade øynene.



- Bruk sklisikre og solide støvler.



- Bruk alltid kraftige langbukser, støvler, hansker og en langermet skjorte. For å redusere faren for skader som er forbundet med gjenstander som trekkes inn i roterende deler, må du ikke bruke løstsittende klær, skjert, smykker ol. Sett opp håret til over skulderlengde.
- Åndedrettsvern skal brukes når det er risiko for støv.



- Førstehjelpsutstyr må alltid finnes for hånden.



SIKKERHETSINSTRUKSJONER

Generelle sikkerhetsinstruksjoner

VIGTIG!

Maskinen skal bare brukes til det den er beregnet på. Maskinen er kun konstruert for å børste gangveier, asfaltveier og liknende.

Bruk aldri maskinen hvis du er trett, har drukket alkohol eller bruker medisiner som kan påvirke syn, vurderingsevne eller kroppskontroll.

Bruk det personlige verneutstyret som anbefales i bruksanvisningen til den grunnleggende maskinen. Be forhandleren om hjelp ved valg av verneutstyr.

Bruk aldri en maskin som er modifisert slik at den ikke lenger er i samsvar med originalutførelsen.

Bruk aldri maskinen i ekstreme klimaforhold som sterk kulde eller meget varmt og/eller fuktig klima.

Bruk aldri en maskin som det er noe galt med. Utfør sikkerhetskontrollene og vedlikeholds- og serviceinstruksjonene i denne bruksanvisningen. Noen vedlikeholds- og servicetiltak må utføres av erfarne og kvalifiserte spesialister. Se instruksjonene under overskriften Vedlikehold.

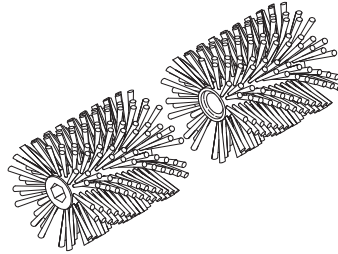
- Tillat aldri barn å bruke maskinen.
- Bruker av maskinen skal sørge for at ikke mennesker eller dyr kommer nærmere enn 15 meter mens arbeidet pågår.
- La aldri noen annen bruke maskinen før du har forsikret deg om at de har forstått innholdet i bruksanvisningen.

Sikkerhetsinstruksjoner før start



- Hold uvedkommende på avstand. Barn, dyr, tilskuere og medhjelpere skal befinne seg utenfor sikkerhetssonen på 15 m. Stans maskinen umiddelbart hvis noen nærmer seg.
- Kontroller hele maskinen før start. Skift ut deler som er skadet. Kontroller at ikke brennstoff lekker ut og at alle skjermene og deksler er hele og godt festet. Kontroller alle skruer og muttere.

- Kontroller at børstetromlene er uskadd og ikke har noen sprekker eller andre skader.



Ved kaldstart:

- Kjør den grunnleggende maskinen varm, og slå den deretter av.
- Fest tilbehøret i henhold til instruksjonene.
- Når du justerer forgasseren, må du sørge for at børstetromlene holdes mot bakken, og at ingen andre er i nærheten.
- Kontroller at børstetromlene går på tomgang.
- Sørg for at håndtak og sikkerhetsfunksjon er i orden. Bruk aldri en maskin som mangler deler eller er endret utenfor spesifikasjonene.
- Maskinen skal bare brukes til det den er beregnet på.

Generelle arbeidsinstruksjoner

VIGTIG!

Denne delen beskriver de grunnleggende sikkerhetsreglene for bruk av børsten.

Når du kommer ut for en situasjon som gjør deg usikker på fortsatt bruk, skal du rådføre deg med en ekspert. Henvend deg til din forhandler eller ditt serviceverksted.

Unngå all bruk som du ikke føler deg kvalifisert til!

Grunnleggende sikkerhetsregler

Pass på omgivelsene:

- For å være sikker på at ikke mennesker, dyr eller annet kan påvirke din kontroll over maskinen.
 - For å sørge for at ikke noe av det ovennevnte kommer i kontakt med oppsamleren, eller at løse gjenstander slynges ut.
 - OBS! Bruk aldri maskinen uten mulighet til å kunne påkalle hjelp ved en ulykke.
- 1 Unngå bruk i dårlig vær. Slik som tett tåke, kraftig regn, sterk vind, kraftig kulde osv. Å arbeide i dårlig vær er slitsomt og kan skape farlige omstendigheter, for eksempel glatt underlag.
 - 2 Sørg for at du kan gå og stå sikkert.
 - 3 Ved forflytning skal motoren slås av.
 - 4 Sett aldri maskinen ned med motoren i gang uten at du har den under oppsikt.

SIKKERHETSINSTRUKSJONER

Grunnleggende arbeidsteknikk

- Pass alltid på at du har en sikker og stødig arbeidsstilling.



- Bruk alltid begge hendene til å holde i maskinen. Hold maskinen ved siden av kroppen.
- Kontroller at hender og føtter ikke kommer nær børsten når motoren går.
- Når motoren er slått av, må du holde hender og føtter unna børsten til den har stoppet helt.
- Still motoren ned på tomgangsturtall etter hvert arbeidsmoment. Lengre tids full gass uten at motoren belastes (dvs. uten den motstanden motoren får fra skjæreutstyret ved arbeid med maskinen) kan føre til alvorlig motorskade.
- Hvis det oppstår kraftige vibrasjoner, stans maskinen. Kople tennkabelen fra tennpluggen. Kontroller at maskinen ikke er skadet. Reparer eventuelle skader.



ADVARSEL! Se opp for gjenstander som slynges ut. Bruk alltid vernebriller. Ikke bøy deg over børstetrommelen. Steiner, skrot o.l. kan kastes opp i øynene og forårsake blindhet eller alvorlige skader. Hold uvedkommende på avstand. Barn, dyr, tilskuere og medhjelpere skal befinne seg utenfor sikkerhetssonen på 15 m. Stans maskinen umiddelbart hvis noen nærmer seg. Giret kan være varmt en stund under og etter bruk. Det er risiko for brannskade ved berøring.

- Kjør maskinen med full gass (eller nesten full gass) med børsten hvilende på overflaten.

NOTE!

Det er både slitsomt og unødvendig å løfte eller holde børsten over overflaten mens du arbeider.

- Når du rydder på smale steder som gangveier, kan maskinen brukes slik at den kaster ut materialer rett foran deg. Hvis du vil arbeide på bredere flater, kan det hende at du må arbeide i vinkel slik at materiale legger seg i strimler på den ene siden. Strimler som består av lett materiale, kan samles i én rad eller haug

og fjernes senere, men hvis det er snakk om harde eller større materialer, kan det være nødvendig at det samles opp i flere strimler.



For å komme til i hjørnene må du fjerne sprutvernet, løsne tilbehørskoblingen og rotere tilbehøret en halv omdreining.



ADVARSEL! Avfall kastes da bakover mot brukeren. Bruk en lavere hastighet når du reverserer maskinen, og husk at det er fort gjort å snuble i materiale som er kastet ut.

SIKKERHETSINSTRUKSJONER

- Oppretthold en liten arbeidsvinkel. Hvis arbeidsvinkelen er for stor, kan du miste kontrollen.

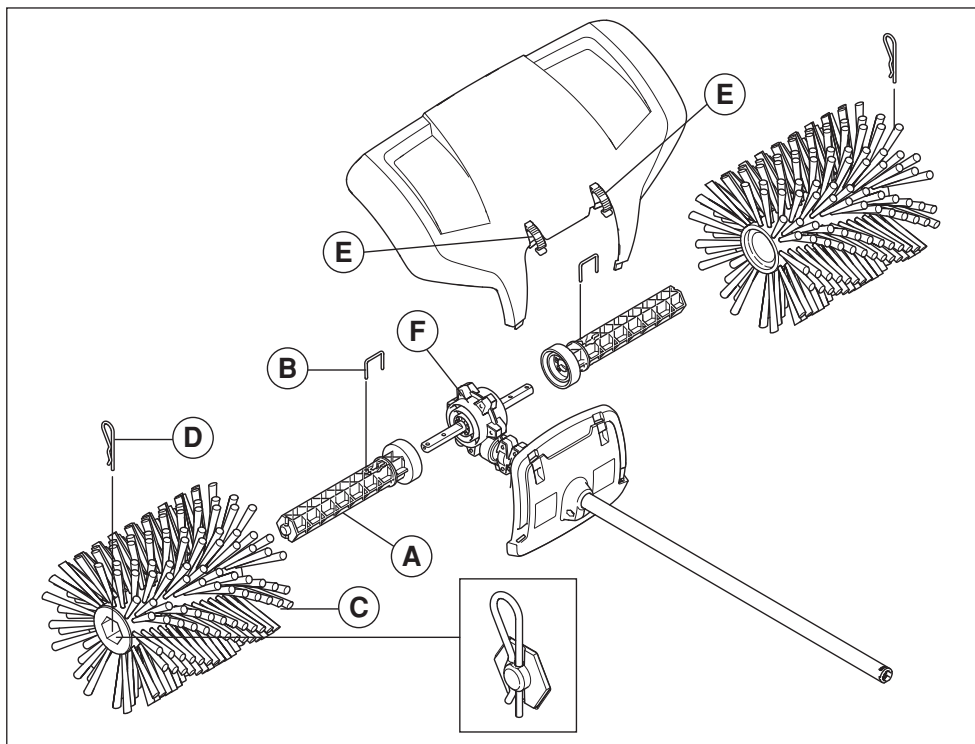


ADVARSEL! Hold en liten arbeidsvinkel mot overflaten. Hvis vinkelen er for stor, har oppsamleren en tendens til å bevege seg mot deg, og det er fare for at du mister kontroll over maskinen.

Børstetromlene kan rotere når oppsamleren startes. Hold et godt grep om maskinen når den startes. Vær oppmerksom på gjenstander som kan sette seg fast i eller slynges ut av de roterende børstetromlene.

Selv om børstetromlene ikke har den samme kraften som gressklipperblader for eksempel har, bør du unngå å arbeide med materialer som kan forårsake personskader eller skader på eiendeler hvis de slynges ut.

MONTERING



Montere oppsamlerettilbehøret

- 1 Trykk en av trommelakslene (A) på en av de to utgående akslene fra girhuset (F). Roter om nødvendig trommelakslsen slik at pinnehullet kommer over det korresponderende hullet i drivakselen.
- 2 Fest rulleakselen med låsepinnen (B).
- 3 Trø en av børsterullene (C) på den monterte akselen. Trykk rullen inn til den stopper.
- 4 Fest rullen på akselen med en splint. Press inn enden litt når du monterer.
- 5 Gjenta disse trinnene for å montere akselen og rullen på motsatt side.
- 6 Monter sprutevernet med hurtigfestene (E).
- 7 For å montere tilbehør på grunnleggende maskin, se håndboken for grunnleggende maskin.

Vedlikeholdsskjema

Nedenfor følger noen generelle vedlikeholdsinstruksjoner. Kontakt serviceverkstedet dersom du trenger ytterligere opplysninger.

VIGTIG!

Oppsamleren brukes ofte under forhold med mye støv. Det er svært viktig med regelmessig vedlikehold av luftfilteret, ofte daglig. Luftfilteret må smøres for å fungere på en tilfredsstillende måte.

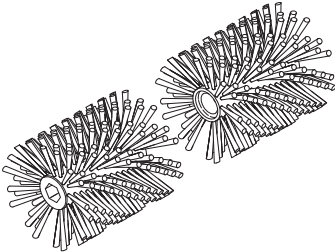
Instruksjoner om vedlikehold finnes i bruksanvisningen til produktet.

Daglig ettersyn



ADVARSEL! Etter at maskinen har vært i bruk, blir girhuset varmt. For å unngå brannskader må du ikke ta på girhuset.

- Kontroller at børstetromlene ikke roterer på tomgang.



- Kontroller at børstetromlene ikke er ødelagte eller sprukne. Skift ut børstetromlene ved behov.
- Heng opp børsten når den skal oppbevares over lengre perioder.

Transport og oppbevaring

- Ved eventuell transport skal du alltid bruke godkjente fastspenningsanordninger og påse at maskinen er ordentlig forankret.
- Påse at maskinen er ordentlig rengjort og at fullstendig service er utført før langtids oppbevaring.

TEKNISKE DATA

Tekniske data

Tekniske data

Oppsamler **BR600**

Bredde på børstetrommel, mm 597

Diameter på børstetrommel, mm 270

Vekt

Vekt, kg 5,5

Støyutslipp

(se anm. 1)

Lydeffektnivå, mål dB(A) 105

Lydeffektnivå, garantert L_{WA} dB(A) 109

Ljudnivåer

(se anm. 2)

Ekvivalent lydtrykksnivå ved brukerens øre, målt etter EN ISO 22868, dB(A): 96

Vibrasjoner

(se anm. 3)

Ekvivalente vibrasjonsnivåer ($a_{hv,eq}$) i håndtak, målt i henhold til EN ISO 22867, m/s^2

Fremre/bakre håndtak: 3,7/6,2

Merknad 1: Målt sammen med tilbehør som er godkjent av Husqvarna. Utslipp av støy til omgivelsene målt som lydeffekt (L_{WA}) ifølge EF-direktiv 2000/14/EC. Rapporterte lydeffektnivåer for maskinen er målt med det originale skjærestyret som gir høyest nivå. Forskjellen mellom garantert og målt lydeffekt er at garantert lydeffekt også omfatter spredning i måleresultatet og variasjoner mellom forskjellige maskiner av samme modell, i henhold til direktivet 2000/14/EC.

Merknad 2: Målt sammen med tilbehør som er godkjent av Husqvarna. Rapporterte data for ekvivalent lydtrykksnivå for maskinen har en typisk statistisk spredning (standard avvik) på 1 dB (A).

Merknad 3: Målt sammen med tilbehør som er godkjent av Husqvarna. Rapporterte data for ekvivalent vibrasjonsnivå har en typisk statistisk spredning (standard avvik) på 1 m/s^2 .

EF-erklæring om samsvar (Gjelder kun Europa)

Husqvarna AB, SE-561 82 Huskvarna, Sverige, tlf. +46-36-146500 erklærer med dette at oppsamler/tilbehøret

Husqvarna BR600 / Jonsered BR600 samsvarer med kravene i følgende RÅDSDIREKTIV:

- fra 17. mai 2006, "angående maskiner" **2006/42/EC**.

Følgende standarder er blitt tillempet: **SS-EN ISO 12100:2010**

SMP Svensk Maskinprovning AB, Box 7035, SE-750 07 Uppsala, Sverige, har utført frivillig typeprøving for Husqvarna AB.

Dette tilbehøret må kun brukes sammen med de ryddesager/trimmere som det er produsert for, se under overskriften "Godkjente tilbehør" i kapittelet "Tekniske data" i maskinens bruksanvisning. Sertifikatene har nummer: **SEC/15/2412 - BR600**

Huskvarna 18. februar 2015



Per Gustafsson, Utviklingssjef (Autorisert representant for Husqvarna AB og ansvarlig for teknisk dokumentasjon.)

MERKKIEN SELITYKSET

Tunnukset

VAROITUS!

Lakaisulaite voi virheellisesti tai huolimattomasti käytettynä olla vaarallinen työväline, joka saattaa aiheuttaa käyttäjälle tai sivullisille vakavia vammoja tai hengenvaaran. On erittäin tärkeää, että luet ja ymmärrät tämän käyttöohjeen sisällön.



Lue käyttöohje huolellisesti ja ymmärrä sen sisältö, ennen kuin alat käyttää konetta.



Käytä aina:

- Suojakypärää paikoissa, joissa putoilevat esineet aiheuttavat vaaraa
- Hyväksytyjä kuulonsuojaimia
- Hyväksytyjä silmiensuojaimia
- Hengityksensuojainta on käytettävä, jos on olemassa pölyvaara.



Tämä tuote täyttää voimassa olevan CE-direktiivin vaatimukset.



Koneen käyttäjän on varmistettava, etteivät ihmiset ja eläimet tule työn aikana 15 metriä lähemmäksi.



Käytä aina hyväksytyjä suojakäsineitä.



Käytä luistamattomia ja tukevia jalkineita.



Pidä kaikki kehon osat poissa kuumilta pinoilta.



Varoitus: pyöriviä osia. Pidä kädet ja jalat poissa niiden läheltä.



Varo sinkoutuvia esineitä ja kimmokkeita.

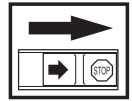


Melupäästöt ympäristöön Euroopan yhteisön direktiivin mukaisesti. Koneen päästöt ilmoitetaan luvussa Tekniset tiedot ja arvokilvessä.



Muita koneen tunnuksia/tarroja tarvitaan tietyillä markkina-alueilla ilmaisemaan erityisiä sertifiointivaatimuksia.

Moottori sammutetaan viemällä pysäytyskosketin pysäytysasentoon. HUOM! Pysäytyskosketin palautuu automaattisesti käynnistysasentoon. Sen vuoksi, tahattoman käynnistyksen estämiseksi, sytytystulpan suojuus on aina irrotettava sytytystulpasta asennuksen, tarkastuksen ja/tai huollon ajaksi.



Käytä aina hyväksytyjä suojakäsineitä.



Silmämääräinen tarkastus.



Sisältö

MERKKIEN SELITYKSET

Tunnukset 42

SISÄLTÖ

Sisältö 43

Ennen käynnistystä on huomioitava seuraavaa: ... 43

KONEEN OSAT

Lakaisulaitteen osat 44

TURVAOHJEET

Koneen turvalaitteet 45

Henkilökohtainen suojavarustus 45

Yleiset turvaohjeet 46

Yleiset työohjeet 46

ASENNUS

Lakaisulaitteen (lisävaruste) asentaminen 49

KUNNOSSAPITO

Huoltokaavio 50

TEKNISET TIEDOT

Tekniset tiedot 51

EY-vaatimustenmukaisuusvakuutus 51

Ennen käynnistystä on huomioitava seuraavaa:

Lue käyttöohje huolellisesti ja ymmärrä sen sisältö, ennen kuin alat käyttää konetta.

Tämä käyttöohje täydentää koneen mukana toimitettua käyttöohjetta. Katso muut ohjeet koneen käyttöohjeesta.

Husqvarna AB kehittää jatkuvasti tuotteitaan ja pidättää siksi itselleen oikeuden mm. muotoa ja ulkonäköä koskeviin muutoksiin ilman ennakoilmoitusta.

Pitkäaikainen altistuminen melulle saattaa aiheuttaa pysyviä kuulovammoja. Käytä siksi aina hyväksytyjä kuulonsuojaimia.



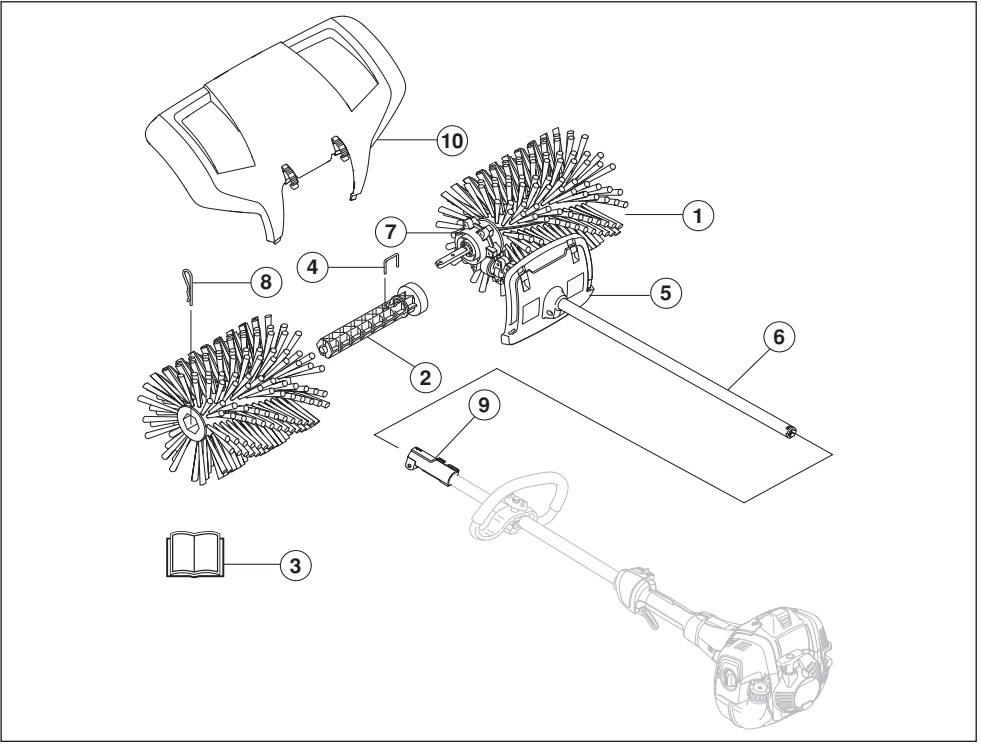
VAROITUS! Koneen alkuperäistä rakennetta ei missään tapauksessa saa muuttaa ilman valmistajan lupaa. Käytä aina alkuperäisiä varaosia. Hyväksymättömien muutosten ja/tai lisävarusteiden käyttö voi aiheuttaa käyttäjälle tai muille vakavia vahinkoja tai kuoleman.



VAROITUS! Tätä lisävarustetta saa käyttää vain vastaavaan työhön tarkoitetuissa raivaussahoissa/trimmeissä, ks. koneen käyttöohjeen luvusta ”Tekniset tiedot” kohta ”Hyväksytyt lisävarusteet”.

Kone on tarkoitettu ainoastaan käytävien, asfalttiteiden ja vastaavien harjaamiseen.

KONEEN OSAT



Lakaisulaitteen osat

- | | |
|-------------------------------|--|
| 1 Harjarumpu | 6 Runkoputki |
| 2 Rummun akseli | 7 Vaihde |
| 3 Käyttöohje | 8 Saksisokka |
| 4 Lukkotappi | 9 Runkoputken liitin (kuuluu koneen vakiovarusteisiin) |
| 5 Suojus (vetovarren suojaus) | 10 Roiskesuojaus |

Koneen turvalaitteet

Tässä osassa selostetaan koneen turvalaitteet ja niiden toiminta ja annetaan tarkastus- ja kunnossapito-ohjeet, joilla varmistetaan niiden toimivuus. Katso luvusta Koneen osat, missä nämä koneet sijaitsevat koneessasi.

Koneen käyttöikä voi lyhentyä ja onnettomuusriski kasvaa, jos koneen kunnossapitoa ei suoriteta oikealla tavalla ja jos huoltoa ja/tai korjauksia ei tehdä ammattitaitoisesti. Jos tarvitset lisäohjeita, ota yhteys huoltokorjaamoon.



VAROITUS! Älä koskaan käytä konetta, jos sen turvalaitteet ovat rikki. Koneen turvalaitteet on tarkastettava ja pidettävä kunnossa tässä osassa esitetyllä tavalla. Jos koneessasi ilmenee tarkastettaessa puutteita, se on toimitettava huoltoilikkeeseen korjattavaksi.



VAROITUS! Sammuta aina moottori, ennen kuin käsittelet mitään laitteen osaa. Laite voi jatkaa liikkumista kaasuliipaisimen vapauttamisen jälkeen. Varmista, että laite on täysin pysähtynyt ja irrota johdot sytytystulpasta, ennen kuin alat käsitellä laitetta.

Henkilökohtainen suojarustus



VAROITUS! Koneetta käytettäessä on aina pidettävä hyväksytyjä henkilökohtaisia suojarusteita. Henkilökohtaiset suojarusteet eivät poista tapaturmien vaaraa, mutta lieventävät vaurioita onnettomuusilanteessa. Pyydä jälleenmyyjältä apua varusteiden valinnassa. Lue käyttöohje huolellisesti ja ymmärrä sen sisältö, ennen kuin alat käyttää konetta.

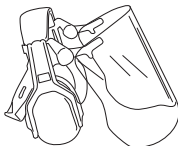


VAROITUS! Tarkkaile aina varoitussignaaleja tai -huutoja kuulonsuojaimia käyttäessäsi. Riisi kuulonsuojaimet välittömästi moottorin pysäytyksen jälkeen.

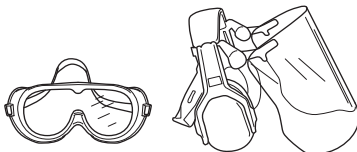
- Käytä käsineitä aina tarvittaessa.



- Käytä riittävän tehokkaasti vaimentavia kuulonsuojaimia.



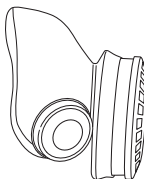
- Hyväksytyviä silmiensuojaimia on aina käytettävä. Visiiriä käytettäessä on käytettävä myös hyväksytyjä suojalaseja. Hyväksytyillä suojalaseilla tarkoitetaan laseja, jotka täyttävät standardin ANSI Z87.1 (USA) tai EN 166 (EU-maat) vaatimukset. Oksien aiheuttamat iskut tai sinkoutuvat esineet voivat vahingoittaa silmiä.



- Käytä luistamattomia ja tukevia jalkineita.



- Käytä aina paksukankaisia pitkiä housuja, saappaita, käsineitä ja pitkähaihaista paitaa. Älä käytä löysiä vaatteita, huiveja, koruja tai muita vastaavia asusteita, jotta ne eivät joudu pyöriviin osiin ja näin aiheuta loukkaantumisia. Sido hiukset olkapäiden korkeuden yläpuolelle.
- Hengityksensuojainta on käytettävä, jos on olemassa pölyvaara.



- Ensiapulaukun on aina oltava lähellä.



Yleiset turvaohjeet

TÄRKEÄÄ!

Käytä konetta vain sille tarkoitettuihin töihin. Kone on tarkoitettu ainoastaan käytävien, asfaltteiden ja vastaavien harjaamiseen.

Älä koskaan käytä konetta, jos olet väsynyt, nauttinut alkoholia tai lääkkeitä, jotka voivat vaikuttaa näkökykyysi, harkintakykyysi tai kehosi hallintaan.

Käytä vakiomallisen koneen käyttöohjeissa suositeltua henkilökohtaista suojavarustusta. Pyydä jälleenmyyjältä apua suojavarusteiden valinnassa.

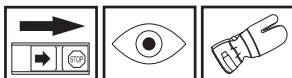
Älä koskaan käytä konetta, jota on muutettu niin, ettei sen rakenne enää ole alkuperäinen.

Älä koskaan käytä konetta äärimmäisissä ilmastolosuhteissa, kuten kovassa pakkasessa tai erittäin lämpimässä ja/tai kosteassa ilmastossa.

Älä koskaan käytä viallista konetta. Noudata tässä käyttöohjeessa annettuja turvallisuustarkastuksia, kunnossapitoa ja huoltoa koskevia ohjeita. Tietyt kunnossapito- ja huoltotyöt on annettava koulutettujen ja pätevien asiantuntijoiden tehtäviksi. Katso ohjeet kohdasta Kunnossapito.

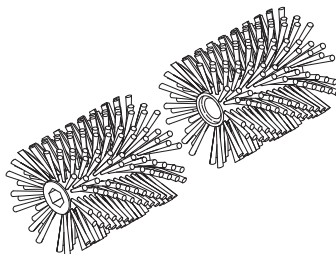
- Älä koskaan anna lasten käyttää konetta.
- Koneen käyttäjän on varmistettava, etteivät ihmiset ja eläimet tule työn aikana 15 metriä lähemmäksi.
- Älä koskaan anna kenenkään käyttää konetta varmistamatta ensin, että käyttäjä on ymmärtänyt käyttöohjeen sisällön.

Turvaohjeet ennen käynnistystä



- Pidä asiaankuulumattomat etäällä. Lasten, eläinten, katsojien ja avustajien on oltava 15 metrin turva-alueen ulkopuolella. Pysäytä kone välittömästi, jos joku lähestyy sitä.
- Tarkasta koko kone ennen käynnistystä. Vaihda vaurioituneet osat. Tarkasta, ettei koneesta vuoda polttoainetta ja että kaikki suojukset ja kotelot ovat kunnolla kiinni. Tarkasta kaikki ruuvit ja mutterit.

- Tarkasta, että harjarummut ovat ehjät ja että niissä ei ole halkeamia tai muita vaurioita.



Kylmäkäynnistyksessä:

- Käytä kone lämpimäksi ja sammuta se.
- Kiinnitä lisävaruste asennusohjeiden mukaisesti.
- Kaasuttimen säädön yhteydessä on varmistettava, että harjarummut on tuettu maata vasten ja että alueella ei ole muita henkilöitä.
- Varmista, että harjarummut käyvät joutokäyntinopeudella.
- Varmista, että kahvat ja turvatoiminnot ovat kunnossa. Älä koskaan käytä konetta, jos siitä puuttuu jokin osa tai sitä on muutettu määräysten vastaisesti.
- Käytä konetta vain sille tarkoitettuihin töihin.

Yleiset työohjeet

TÄRKEÄÄ!

Tässä osassa käsitellään harjauslaitteen käyttöön liittyviä yleisiä turvamääräyksiä.

Kun joudut tilanteeseen, jossa trimmin käytön jatkaminen tuntuu epävarmalta, on sinun kysyttävä neuvoa asiantuntijalta. Käännä jälleenmyyjäsi tai huoltoilikkeesi puoleen.

Älä tee mitään sellaista, mihin et katso taitosi riittävän.

Yleiset turvamääräykset

Tarkkaile ympäristöä:

- Varmistaaksesi, etteivät ihmiset, eläimet tai muut tekijät pääse vaikuttamaan koneen hallintaan.
 - Varmista, etteivät edellä mainitut pääse kosketuksiin lakaisulaitteen kanssa ja etteivät irralliset esineet pääse sinkoutumaan ilmaan.
 - HUOM! Älä koskaan käytä konetta niin, ettei sinulla onnettomuustapauksessa ole mahdollisuutta kutsua apua.
- 1 Vältä käyttöä epäsuotuisissa sääoloissa. Esimerkiksi tiheässä sumussa, rankkasateessa, kovassa tuulessa, pakkasessa jne. Huonossa säässä työskentely on väsyttävää ja voi aiheuttaa vaaratekijöitä, esimerkiksi tehdä alustasta liukkaan.
 - 2 Varmista, että voit siirtyä ja seisoa turvallisesti.

TURVAOHJEET

- 3 Siirtymisen ajaksi on moottori sammutettava.
- 4 Älä koskaan laske konetta maahan moottorin käydessä, jos et pysty valvomaan sitä koko ajan.

Trimmauksen perustekniikka

- Varmista, että seisot turvallisessa ja tukevassa työskentelyasennossa.



- Pidä koneesta aina molemmin käsin. Pidä konetta kehon sivulla.
- Pidä kädet ja jalat etäällä harjasta, kun moottori on käynnissä.
- Kun moottori on sammutettu, pidä kädet ja jalat etäällä harjasta, kunnes se on täysin pysähtynyt.
- Päästä kaasu joutokäynnille aina työvaiheiden välissä. Pitkäaikainen käyttö täydellä kaasulla moottoria kuormittamatta (ts. ilman vastusta, jonka moottori konetta käytettäessä saa terälaitteen välityksellä) voi aiheuttaa vakavan moottorivaurion.
- Jos kone alkaa täristä voimakkaasti, pysäytä se. Irrota syytysjohto syytystulpasta. Tarkasta, ettei kone ole vaurioitunut. Korjaa mahdolliset vauriot.



VAROITUS! Varo sinkoutuvia esineitä. Käytä aina suojalaseja. Älä kumarru harjarummun yläpuolelle. Kivet, roskat ja vastaavat esineet saattavat sinkoutua silmiin ja aiheuttaa sokeutumisen tai vakavia vahinkoja. Pidä asiaankuulumattomat etäällä. Lasten, eläinten, katsojien ja avustajien on oltava 15 metrin turva-alueen ulkopuolella. Pysäytä kone välittömästi, jos joku lähestyy sitä. Vaihte voi olla kuuma käytön aikana ja jonkin aikaa sen jälkeen. Sen koskettaminen voi aiheuttaa palovamman.

- Käytä konetta täydellä (tai lähes täydellä) kaasulla niin, että harja lepää pintaa vasten.

NOTE!

Harjan nostaminen irti pinnasta työskentelyn aikana on käyttäjälle raskasta ja tuloksen kannalta tarpeetonta.

- Kun puhdistat kapeita pintoja, kuten polkuja, voit käyttää konetta niin, että se sinkoaa materiaalin suoraan eteesi. Jos puhdistettava pinta on laajempi, työskentelykulma on ehkä valittava niin, että materiaalia kertyy pinnan toiseen reunaan. Kevyen materiaalin voi kerätä yhteen riviin tai pinoon myöhempää poistoa varten. Kovemmat tai isokokoisemmat materiaalit on usein kerättävä useampaan pisteeseen.



Toimi nurkkien käsittelyä varten seuraavasti: irrota roiskesuojus, löysää lisälaitteen liitintä ja kierrä lisälaitetta puoli kierrosta.



VAROITUS! Roskat sinkoutuvat tällöin käyttäjää kohti. Kun peruutat koneella, käytä pienempää nopeutta ja varo sinkoutuviin materiaaleihin kompastumista.

TURVAOHJEET

- Pidä työskentelykulma pienenä. Liian suuri työskentelykulma voi johtaa hallinnan menetykseen.

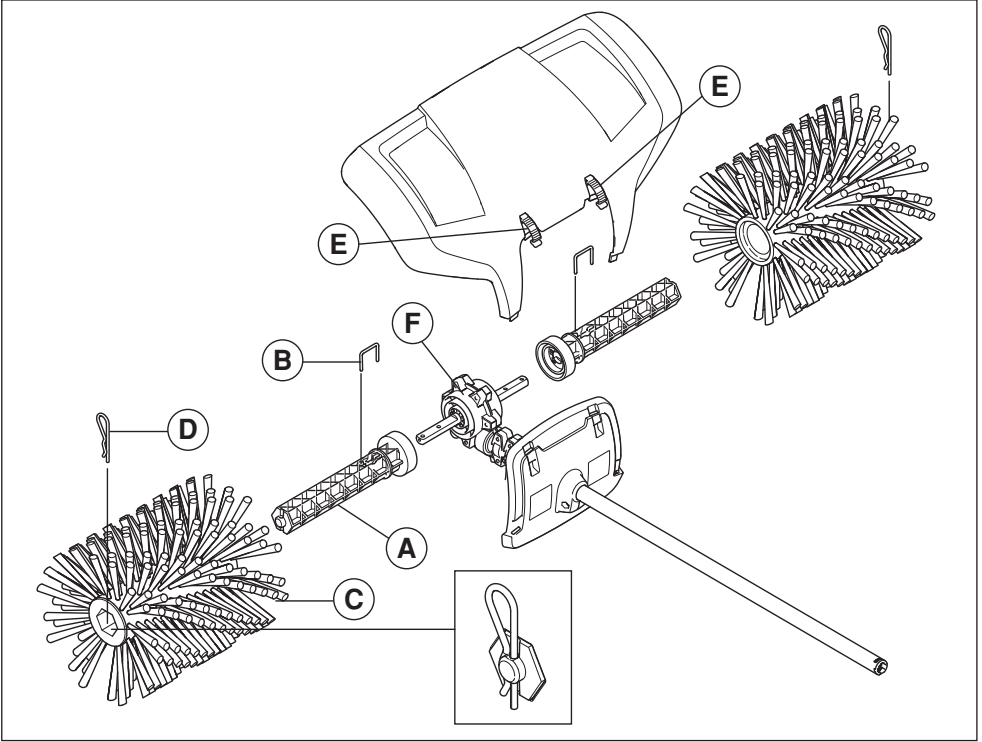


VAROITUS! Pidä kone pienessä kulmassa työstettävään pintaan nähden. Jos työskentelykulma on liian suuri, lakaisulaite liikkuu sinua kohti ja saatat menettää koneen hallinnan.

Harjarummut voivat pyöriä, kun lakaisulaite käynnistetään. Pidä koneesta tukevasti kiinni, kun käynnistät sen. Kiinnitä huomiota esineisiin, jotka voivat juuttua pyöriviin harjarumpuihin tai sinkoutua ulos niistä.

Vaikka harjarumpujen voima ei ole yhtä suuri kuin esimerkiksi ruohonleikkurin terien, niillä ei kannata työstää materiaaleja, jotka voivat sinkoutuessaan aiheuttaa henkilö- tai omaisuusvahinkoja.

ASENNUS



Lakaisulaitteen (lisävaruste) asentaminen

- 1 Paina toinen rummun akseli (A) kiinni toiseen vaihekotelosta (F) lähtevään vetoakseliin. Pyöritä tarvittaessa rummun akselia niin, että tapin aukko osuu vetoakselin vastaavaan aukkoon.
- 2 Kiinnitä rullan vetovarsi lukkotapilla (B).
- 3 Aseta toinen harjarulla (C) koottuun vetovarteeseen. Paina rullaa sisään, kunnes se pysähtyy.
- 4 Kiinnitä rulla vetovarteeseen hiusneulasokalla (D). Paina päätyosaa hieman asennuksen aikana.
- 5 Asenna toisen puolen akseli ja rulla toistamalla nämä vaiheet.
- 6 Kiinnitä roisikesuoja paikalleen napsauttavilla kiinnikkeillä (E).
- 7 Ohjeet lisävarusteiden asentamisesta koneen vakiomalliin ovat vakiomallin käyttöoppaassa.

Huoltokaavio

Alla on annettu joitakin yleisiä hoito-ohjeita. Jos tarvitset lisäohjeita, ota yhteys huoltoliikkeeseen.

TÄRKEÄÄ!

Lakaisulaitetta käytetään usein pölyisissä olosuhteissa. Ilmansuodattimen huoltaminen on tämän vuoksi äärimmäisen tärkeää, ja huolto on usein tehtävä päivittäin. Ilmansuodattimen tyydyttävä toiminta edellyttää öljyämistä.

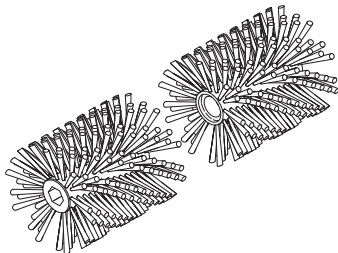
Lue huolto-ohjeet tuotteen käyttöohjekirjasta.

Päivittäiset toimenpiteet



VAROITUS! Vaihdekotelo kuumenee koneen käytön aikana. Älä koske vaihdekoteloon, sillä se aiheuttaa palovammoja.

- Tarkasta, etteivät harjarummut pyöri joutokäynnillä.



- Tarkasta, ettei harjarummuissa ole vaurioita tai halkeamia. Vaihda harjarummut tarvittaessa.
- Ripusta harja pitkien varastointijaksojen ajaksi.

Kuljetus ja säilytys

- Jos konetta joudutaan kuljettamaan, on aina käytettävä hyväksytyjä kiinnityslaitteita ja varmistettava, että kone on hyvin kiinnitetty.
- Varmista, että kone on puhdistettu hyvin ja että täydellinen huolto on tehty ennen pitkäaikaissäilytystä.

TEKNISET TIEDOT

Tekniset tiedot

Tekniset tiedot

Lakaisulaite **BR600**

Harjarummun leveys, mm 597

Harjarummun halkaisija, mm 270

Paino

Paino, kg 5,5

Melupäästöt

(ks. huom. 1)

Äänentehotaso, mitattu dB(A) 105

Äänentehotaso, taattu L_{WA} dB(A) 109

Äänitasot

(ks. huom. 2)

Ekvivalentti äänenpainetaso käyttäjän korvan tasalla mitattuna standardien EN ISO 22868 mukaan, dB(A): 96

Tärinä

(ks. huom. 3)

Kahvojen vastaavat tärinätasot ($a_{hv,eq}$) mitattuna standardien EN ISO 22867 mukaan, m/s^2

Etukahva/taka: 3,7/6,2

Huom. 1: Mitattu Husqvarnan hyväksymien lisävarusteiden kanssa. Melupäästö ympäristöön äänentehona (L_{WA}) EY-direktiivin 2000/14/EG mukaisesti mitattuna. Koneen ilmoitettu äänen tehotaso on mitattu käyttäen alkuperäistä terälaitetta, joka antaa suurimman äänen tehotason. Taatun ja mitatun äänitehon erona on se, että taattu ääniteho sisältää myös mitatun tuloksen hajonnan ja vaihtelun saman mallin eri koneiden välillä direktiivin 2000/14/EY mukaisesti.

Huom. 2: Mitattu Husqvarnan hyväksymien lisävarusteiden kanssa. Ilmoitetuilla tiedoilla vastaavasta koneen äänenpainetasosta tyypillinen tilastollinen hajonta (vakiopoikkeama) on 1 dB (A).

Huom. 3: Mitattu Husqvarnan hyväksymien lisävarusteiden kanssa. Ilmoitetuilla tiedoilla vastaavasta tärinätasosta tyypillinen tilastollinen hajonta (vakiopoikkeama) on 1 m/s^2 .

EY-vaatimustenmukaisuusvakuutus (Koskee ainoastaan Eurooppaa)

Husqvarna AB, SE-561 82 Huskvarna, Ruotsi, puh. +46 36 146 500, vakuuttaa, että lakaisuläsläite **Husqvarna BR600** / **Jonsered BR600** on seuraavan NEUVOSTON DIREKTIIVIN mukainen:

- 17. toukokuuta 2006 "koskien koneita" **2006/42/EY**.

Seuraavia standardeja on sovellettu: **SS-EN ISO 12100:2010**

SMP Svensk Maskinprovning AB, Box 7035, SE-750 07 Uppsala, Ruotsi, on suorittanut Husqvarna AB:lle vapaaehtoisen tyyppitarkastuksen.

Tätä lisävarustetta saa käyttää vain vastaavaan työhön tarkoitetuissa raivaussahoissa/trimmeissä, ks. koneen käyttöohjeen luvusta "Tekniset tiedot" kohta "Hyväksytyt lisävarusteet". Sertifikaattien numerot ovat: **SEC/15/2412** - BR600

Huskvarna 18. helmiukuuta 2015



Per Gustafsson, kehityspäällikkö (Husqvarna AB:n valtuutettu ja teknisestä dokumentaatiosta vastaava edustaja.)

SYMBOLERKLÄRUNG

Symbole

WARNUNG!

Eine Kehrmaschine kann falsch oder nachlässig angewendet gefährlich sein und zu schweren oder gar tödlichen Verletzungen des Benutzers oder anderer Personen führen. Es ist sehr wichtig, dass Sie den Inhalt dieser Bedienungsanleitung lesen und verstehen.

Lesen Sie die Bedienungsanleitung sorgfältig durch und machen Sie sich mit dem Inhalt vertraut, bevor Sie das Gerät benutzen.

Benutzen Sie immer:

- Schutzhelm in Bereichen, in denen Gefahr durch herabfallende Gegenstände bestehen kann
- Einen zugelassenen Gehörschutz
- Zugelassener Augenschutz
- Bei staubigen Arbeitsbedingungen ist ein Atemschutz zu tragen.

Dieses Produkt stimmt mit den geltenden CE-Richtlinien überein.

Der Anwender des Geräts hat darauf zu achten, dass während der Arbeit keine Menschen oder Tiere näher als 15 m herankommen.

Stets zugelassene Schutzhandschuhe tragen.

Rutschfeste und stabile Stiefel tragen.

Alle Körperteile von heißen Oberflächen fernhalten.

Warnung: sich drehende Teile. Halten Sie Hände und Füße von der Gefahrenzone fern.



Warnung vor hochgeschleuderten und abfallenden Gegenständen.

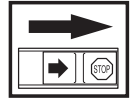


Umweltbelastende Geräuschemissionen gemäß der Richtlinie der Europäischen Gemeinschaft. Die Emission des Gerätes ist im Kapitel Technische Daten und auf dem Geräteschild angegeben.

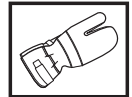


Sonstige Symbole/Aufkleber am Gerät beziehen sich auf spezielle Zertifizierungsanforderungen, die in bestimmten Ländern gelten.

Zum Abstellen des Motors den Stoppschalter auf Stopp stellen. **ACHTUNG!** Der Stoppschalter geht automatisch in die Startstellung zurück. Um ein ungewolltes Starten zu vermeiden, muss bei Montage, Kontrolle und/oder Wartung daher stets die Zündkappe von der Zündkerze entfernt werden.



Stets zugelassene Schutzhandschuhe tragen.



Visuelle Kontrolle.



INHALT

Inhalt

SYMBOLERKLÄRUNG

Symbole 52

INHALT

Inhalt 53

Vor dem Start ist Folgendes zu beachten: 53

WAS IST WAS?

Die Komponenten der Kehrmaschine 54

SICHERHEITSVORSCHRIFTEN

Sicherheitsausrüstung des Gerätes 55

Persönliche Schutzausrüstung 55

Allgemeine Sicherheitsvorschriften 56

Allgemeine Arbeitsvorschriften 56

MONTAGE

Montage des Kehrmaschinenzubehörs 59

WARTUNG

Wartungsschema 60

TECHNISCHE DATEN

Technische Daten 61

EG-Konformitätserklärung 61

Vor dem Start ist Folgendes zu beachten:

Lesen Sie die Bedienungsanweisung sorgfältig durch und machen Sie sich mit dem Inhalt vertraut, bevor Sie das Gerät benutzen.

Diese Bedienungsanweisung ist eine Ergänzung der mit dem Gerät gelieferten Bedienungsanweisung. Bezüglich der sonstigen Handhabung siehe die Bedienungsanweisung des Gerätes.

Die Husqvarna AB arbeitet ständig an der Weiterentwicklung ihrer Produkte und behält sich daher das Recht auf Änderungen ohne vorherige Ankündigung, z. B. von Form und Aussehen, vor.

Eine längerfristige Beschallung mit Lärm kann zu bleibenden Gehörschäden führen. Daher stets einen zugelassenen Gehörschutz tragen.



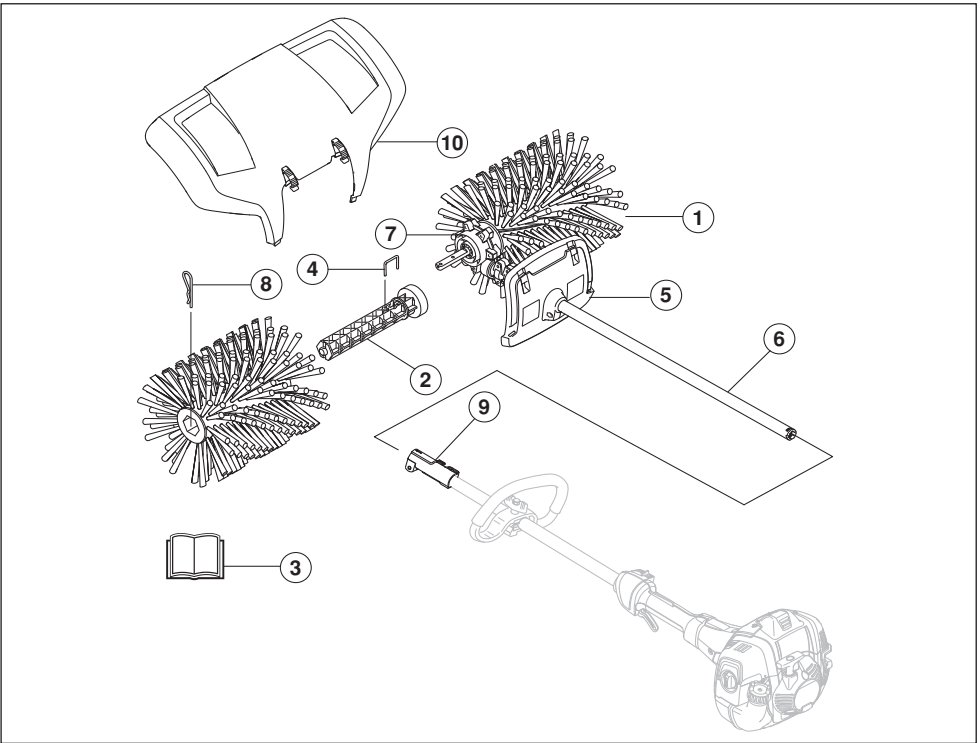
WARNUNG! Unter keinen Umständen darf die ursprüngliche Konstruktion des Gerätes ohne Genehmigung des Herstellers geändert werden. Es ist immer Originalzubehör zu verwenden. Unzulässige Änderungen und/oder unzulässiges Zubehör können zu schweren oder sogar tödlichen Verletzungen des Anwenders oder anderer Personen führen.



WARNUNG! Dieses Zubehör darf nur zusammen mit den dafür vorgesehenen Freischneidern/Trimmern benutzt werden, siehe "Zugelassenes Zubehör" unter Technische Daten in der Bedienungsanweisung des Geräts.

Das Gerät ist nur für das Säubern von Gehwegen, asphaltierten Straßen u. Ä. konstruiert.

WAS IST WAS?



Die Komponenten der Kehrmaschine

- | | |
|-------------------------|--|
| 1 Bürstentrommel | 6 Führungsrohr |
| 2 Trommelachse | 7 Getriebe |
| 3 Bedienungsanweisung | 8 Spannstift |
| 4 Sperrstift | 9 Führungsrohrverbindung (Gehört zum Grundgerät) |
| 5 Schutz (Wellenschutz) | 10 Spritzschutz |

SICHERHEITSVORSCHRIFTEN

Sicherheitsausrüstung des Gerätes

In diesem Abschnitt werden einzelnen Teile der Sicherheitsausrüstung des Gerätes beschrieben, welche Funktion sie haben und wie ihre Kontrolle und Wartung ausgeführt werden sollen, um sicherzustellen, dass sie funktionsfähig sind. (Siehe Kapitel Was ist was? um herauszufinden, wo die Sicherheitsdetails an Ihrem Gerät zu finden sind).

Die Lebensdauer der Maschine kann verkürzt werden und die Unfallgefahr kann steigen, wenn die Wartung der Maschine nicht ordnungsgemäß und Service und/oder Reparaturen nicht fachmännisch ausgeführt werden. Weitere Informationen erteilt Ihnen gerne die nächste Servicewerkstatt.



WARNUNG! Benutzen Sie nie ein Gerät mit defekter Sicherheitsausrüstung. Die Sicherheitsausrüstung des Gerätes muss so kontrolliert und gewartet werden, wie dies in diesem Abschnitt beschrieben wird. Wenn Ihr Gerät den Kontrollanforderungen nicht entspricht, muss eine Servicewerkstatt aufgesucht werden.



WARNUNG! Stellen Sie immer den Motor ab, bevor Sie an einem beliebigen Teil des Zubehörs arbeiten. Dieser kann noch weiterlaufen, nachdem der Gashebel losgelassen wird. Stellen Sie sicher, dass das Zubehör völlig stillsteht, und ziehen Sie die Kabel von der Zündkerze ab, bevor Sie mit der Arbeit an der Schneidausrüstung beginnen.

Persönliche Schutzausrüstung



WARNUNG! Bei der Benutzung des Gerätes muss die vorgeschriebene persönliche Schutzausrüstung angewendet werden. Die persönliche Schutzausrüstung beseitigt nicht die Unfallgefahr, begrenzt aber den Umfang der Verletzungen und Schäden. Bei der Wahl der Schutzausrüstung einen Fachhändler um Rat fragen. Lesen Sie die Bedienungsanweisung sorgfältig durch und machen Sie sich mit dem Inhalt vertraut, bevor Sie das Gerät benutzen.



WARNUNG! Bei Benutzung von Gehörschützern immer auf Warnsignale oder Zurufe achten. Den Gehörschutz immer abnehmen, sobald der Motor abgestellt ist.

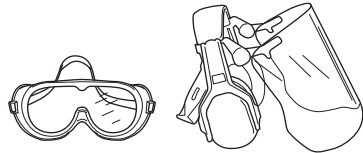
- Handschuhe sind dann zu tragen, wenn dies notwendig ist.



- Ein Gehörschutz mit ausreichender Dämmwirkung ist zu tragen.



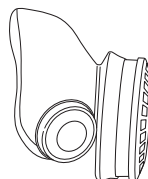
- Es ist immer ein zugelassener Augenschutz zu tragen. Bei der Benutzung eines Visiers ist auch eine zugelassene Schutzbrille zu tragen. Zugelassene Schutzbrillen sind in diesem Falle diejenigen, die die Normen ANSI Z87.1 für die USA bzw. EN 166 für EU-Länder erfüllen. Die Augen können durch hochgeblasene Zweige oder Fremdkörper verletzt werden.



- Rutschfeste und stabile Stiefel tragen.



- Immer schwere, lange Hosen, Stiefel, Handschuhe und ein langärmeliges Hemd tragen. Keine lose Kleidung, Schals, Schmuck usw. tragen, um zu vermeiden, dass diese Objekte in die rotierenden Teile gezogen werden und um das Risiko einer Verletzung zu reduzieren. Haare so sichern, dass sie sich über Schulterniveau befinden.
- Bei staubigen Arbeitsbedingungen ist ein Atemschutz zu tragen.



SICHERHEITSVORSCHRIFTEN

- Ein Erste-Hilfe-Set soll immer griffbereit sein.



Allgemeine Sicherheitsvorschriften

WICHTIG!

Benutzen Sie das Gerät nur für solche Arbeiten, für die es vorgesehen ist. Das Gerät ist nur für das Säubern von Gehwegen, asphaltierten Straßen u. Ä. konstruiert.

Arbeiten Sie niemals mit dem Gerät, wenn Sie müde sind, Alkohol getrunken oder Medikamente eingenommen haben, da hierdurch Sehkraft, Urteilsvermögen oder Körperkontrolle beeinträchtigt werden können.

Verwenden Sie die in der Bedienungsanleitung des Grundgeräts empfohlene persönliche Schutzausrüstung. Lassen Sie sich bei der Wahl der richtigen Schutzausrüstung von einem Fachhändler beraten.

Niemals mit einem Gerät arbeiten, das ohne Zustimmung des Herstellers modifiziert wurde und nicht länger mit der Originalausführung übereinstimmt.

Benutzen Sie das Gerät niemals bei extremen Klimaverhältnissen wie strenger Kälte oder sehr heißem und/oder feuchten Klima.

Niemals mit einem defekten Gerät arbeiten. Die Kontroll-, Wartungs- und Serviceanweisungen in dieser Bedienungsanleitung sind genau zu befolgen. Gewisse Wartungs- und Servicemaßnahmen sind von geschulten, qualifizierten Fachleuten auszuführen. Siehe Anweisungen unter dem Titel **Wartung**.

- Niemals Kindern die Anwendung des Geräts erlauben.
- Der Anwender des Geräts hat darauf zu achten, dass während der Arbeit keine Menschen oder Tiere näher als 15 m herankommen.
- Lassen Sie niemals jemand anderen das Gerät benutzen, ohne sich zu vergewissern, dass die Person den Inhalt der Bedienungsanleitung verstanden hat.

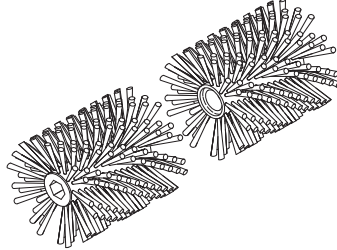
Sicherheitsvorschriften vor dem Start



- Unbefugte auf Abstand halten. Kinder, Tiere, Zuschauer und Helfer sollten sich außerhalb einer

Sicherheitszone von 15 m befinden. Stellen Sie das Gerät sofort ab, wenn sich Ihnen jemand nähert.

- Vor dem Start das ganze Gerät kontrollieren. Beschädigte Teile austauschen. Sicherstellen, dass kein Kraftstoff ausläuft und dass alle Schutzteile und Gehäuse intakt und fest montiert sind. Alle Schrauben und Muttern kontrollieren.
- Prüfen Sie die Bürstentrommeln auf Risse oder sonstige Beschädigungen.



Bei Kaltstart:

- Lassen Sie die Grundmaschine warmlaufen, und schalten Sie sie dann aus.
- Montieren Sie das Zubehör gemäß der Montageanleitung.
- Stellen Sie beim Anpassen des Vergasers sicher, dass die Bürstentrommeln gegen den Boden gehalten werden, und dass sich niemand in der Nähe befindet.
- Stellen Sie sicher, dass sich die Bürstentrommeln im Leerlauf befinden.
- Dafür sorgen, dass Handgriffe und Sicherheitsfunktionen in Ordnung sind. Niemals ein Gerät benutzen, an dem ein Teil fehlt oder das so modifiziert wurde, dass es nicht mehr mit der Spezifikation übereinstimmt.
- Benutzen Sie das Gerät nur für solche Arbeiten, für die es vorgesehen ist.

Allgemeine Arbeitsvorschriften

WICHTIG!

In diesem Abschnitt werden grundlegende Sicherheitsvorschriften zur Verwendung der Bürste vorgestellt.

Wenn Sie in eine Situation kommen, die Sie in Bezug auf die weitere Anwendung des Geräts verunsichert, lassen Sie sich von einem Experten beraten. Wenden Sie sich an Ihren Fachhändler oder Ihre Servicewerkstatt.

Vermeiden Sie, Arbeiten auszuführen, denen Sie sich nicht gewachsen fühlen.

SICHERHEITSVORSCHRIFTEN

Grundlegende Sicherheitsvorschriften

Behalten Sie die Umgebung im Auge:

- Um sicherzustellen, dass weder Menschen noch Tiere oder anderes Ihre Kontrolle über das Gerät beeinflussen können.
 - Um sicherzustellen, dass keine der oben genannten Risiken in Kontakt mit der Kehmaschine kommen oder lose Gegenstände weggeschleudert werden.
 - **ACHTUNG!** Das Gerät niemals benutzen, wenn nicht die Möglichkeit besteht, im Falle eines Unfalls Hilfe herbeizurufen.
- 1 Vermeiden Sie es, das Gerät bei schlechtem Wetter zu benutzen. Z.B. bei dichtem Nebel, starkem Regen oder Wind, großer Kälte usw. Bei schlechtem Wetter ist das Arbeiten nicht nur ermüdend, es können außerdem gefährliche Arbeitsbedingungen entstehen, z.B. glatter Boden.
 - 2 Sicherstellen, dass Sie sicher gehen und stehen können.
 - 3 Beim Bewegen ist der Motor abzustellen.
 - 4 Das Gerät niemals mit laufendem Motor unbeaufsichtigt abstellen.

Grundlegende Arbeitstechnik

- Sorgen Sie immer dafür, dass Sie bei der Arbeit fest und sicher stehen.



- Das Gerät immer mit beiden Händen halten. Das Gerät an der Seite des Körpers halten.
- Sorgen Sie dafür, dass Hände und Füße nicht an die Bürste kommen, wenn der Motor läuft.
- Wenn der Motor abgestellt worden ist, halten Sie Hände und Füße von der Bürste fern, bis diese völlig still steht.
- Nach jedem Arbeitsmoment den Motor im Leerlauf laufen lassen. Längerer Betrieb bei hoher Drehzahl ohne Belastung (d. h. ohne den Widerstand, der dem Motor bei der Arbeit mit dem Gerät durch die Schneidausrüstung geboten wird) kann schwere Motorschäden verursachen.

- Wenn starke Vibrationen auftreten, das Gerät abstellen. Das Zündkerzenkabel von der Zündkerze abziehen. Kontrollieren, ob das Gerät beschädigt ist. Eventuelle Schäden reparieren.



WARNUNG! Achten Sie auf hochgeschleuderte Gegenstände. Tragen Sie immer einen Augenschutz. Beugen Sie sich nie über die Bürstentrommel. Hochgeschleuderte Steine, Unrat usw. können die Augen treffen und Blindheit oder schwere Verletzungen verursachen. Unbefugte auf Abstand halten. Kinder, Tiere, Zuschauer und Helfer sollten sich außerhalb einer Sicherheitszone von 15 m befinden. Stellen Sie das Gerät sofort ab, wenn sich Ihnen jemand nähert. Das Getriebe kann während des Betriebs heiß laufen und kühlt nur langsam ab. Beim Berühren besteht Verbrennungsgefahr.

- Lassen Sie das Gerät mit Vollgas (oder fast Vollgas) laufen, während die Bürste die Oberfläche berührt.

NOTE!

Es ist sowohl ermüdend als auch unnötig, die Bürste während der Arbeit anzuheben oder hochzuhalten.

- Wenn Sie schmale Oberflächen wie z. B. Wege befreien, kann das Gerät so verwendet werden, dass es das Material genau vor Sie wirft. Wenn Sie breitere Oberflächen bearbeiten, ist es möglicherweise vorteilhafter in einem Winkel zu arbeiten, sodass das Material an einer Seite angehäuft wird. Ansammlungen von leichtem Material können in einer Reihe oder auf einem Haufen angesammelt und später entfernt werden, während hartes oder sperriges Material möglicherweise in verschiedenen Haufen angesammelt werden muss.



SICHERHEITSVORSCHRIFTEN

Um in Ecken zu gelangen, entfernen Sie den Spritzschutz, lösen Sie die Zubehöorkupplung und drehen das Zubehör um eine halbe Drehung.



WARNUNG! Der Unrat wird dann in Richtung Benutzer zurückgeworfen. Verwenden Sie eine geringere Geschwindigkeit, wenn Sie das Gerät umdrehen, und denken Sie daran, dass Sie leicht über zurückgeworfenes Material stolpern können.

- Halten Sie den Arbeitswinkel stets klein. Ein zu großer Arbeitswinkel kann dazu führen, dass Sie die Kontrolle verlieren.

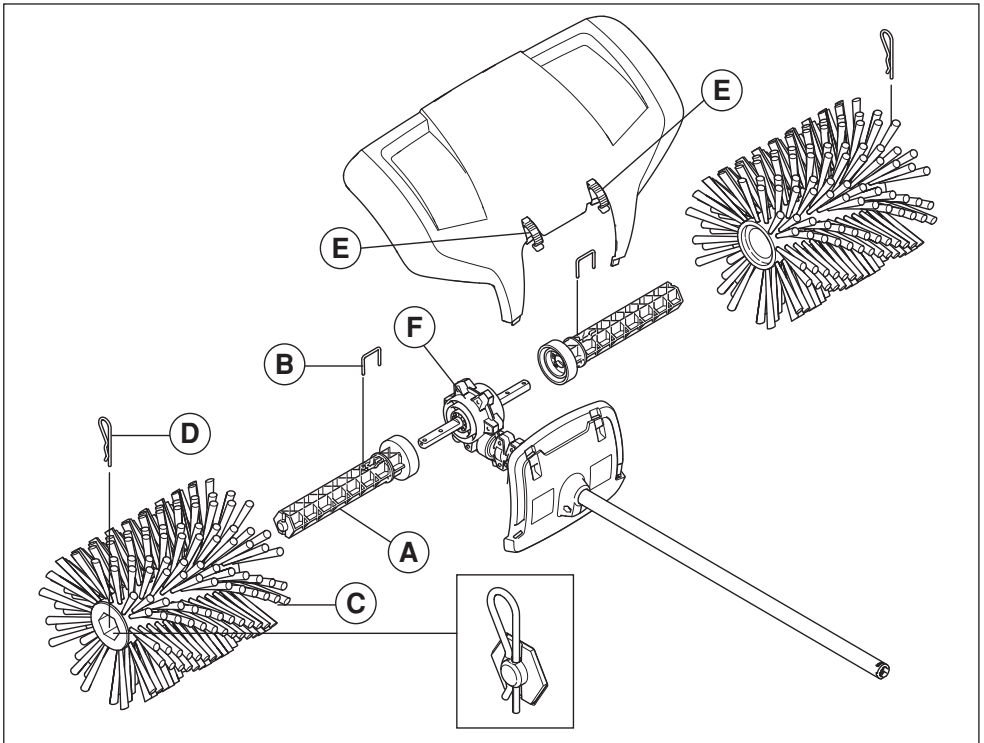


WARNUNG! Halten Sie den Arbeitswinkel zur Oberfläche stets klein. Ein zu großer Arbeitswinkel führt dazu, dass die Kehrmaschine sich eher in Ihre Richtung bewegt, und Sie riskieren, die Kontrolle über das Gerät zu verlieren.

Wenn die Kehrmaschine gestartet wird, können sich die Bürstentrommeln drehen. Halten Sie das Gerät beim Starten sicher fest. Achten Sie auf Gegenstände, die sich in den drehenden Bürstentrommeln verfangen oder von ihnen weggeschleudert werden können.

Obwohl die Bürstentrommeln nicht die gleiche Stärke haben wie zum Beispiel die Klingen eines Rasenmähers, sollten Sie es vermeiden mit Material zu arbeiten, das Verletzungen oder Sachschäden verursachen kann, wenn es weggeschleudert wird.

MONTAGE



Montage des Kehrmaschinenzubehörs

- 1 Drücken Sie eine der Trommelachsen (A) auf eine der beiden herauskommenden Antriebswellen des Getriebegehäuses (F). Drehen Sie bei Bedarf die Trommelachse, sodass das die Stiftbohrung über die entsprechende Bohrung in der Antriebswelle reicht.
- 2 Befestigen Sie die Rollenwelle mit dem Sperrstift (B).
- 3 Setzen Sie eine der Bürstenrollen (C) auf die bereits montierte Welle. Drücken Sie die Rolle hinein, bis sie zum Stillstand kommt.
- 4 Befestigen Sie die Rolle mit einem Splint (D) an der Welle. Drücken Sie das Ende bei der Montage leicht hinein.
- 5 Wiederholen Sie diese Schritte, um die Achse und die Trommel auf der gegenüberliegenden Seite zu montieren.
- 6 Montieren Sie den Spritzschutz mit den Schnappbefestigungen (E).
- 7 Um Zubehör an der Grundmaschine zu montieren, lesen Sie das Handbuch der Grundmaschine.

Wartungsschema

Nachstehend folgen einige allgemeine Wartungsanweisungen. Sollten Sie weitere Informationen brauchen, wenden Sie sich bitte an Ihre Servicewerkstatt.

WICHTIG!

Die Arbeit mit der Kehrmaschine erfolgt oft unter staubigen Bedingungen. Es ist sehr wichtig, den Luftfilter regelmäßig – oft täglich – zu warten. Der Luftfilter muss geölt werden, damit er zufriedenstellend funktioniert.

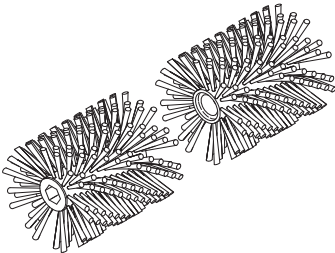
Lesen Sie die Wartungsanweisungen in der Bedienungsanleitung des Produktes.

Tägliche Wartung



WARNUNG! Nach der Arbeit mit dem Gerät ist das Getriebe heiß. Um Verbrennungen zu vermeiden, berühren Sie das Getriebegehäuse nicht.

- Kontrollieren Sie, ob sich die Bürstentrommeln im Leerlauf drehen.



- Kontrollieren Sie die Bürstentrommeln auf Beschädigungen und Risse. Tauschen Sie die Bürstentrommeln bei Bedarf aus.
- Hängen Sie die Bürste bei der Lagerung über längere Zeiträume auf.

Transport und Aufbewahrung

- Bei Transporten sind grundsätzlich zugelassene Spannvorrichtungen zu verwenden. Sicherstellen, dass die Maschine gut festgezurt ist.
- Vor der Langzeitaufbewahrung sicherstellen, dass die Maschine gründlich gesäubert und komplett gewartet wurde.

TECHNISCHE DATEN

Technische Daten

Technische Daten

Kehrmaschine BR600

Bürstentrommelbreite, mm 597

Bürstentrommeldurchmesser, mm Gemessen zusammen mit zugelassenem
Zubehör von Husqvarna. 270

Gewicht

Gewicht, kg 5,5

Geräuschemissionen

(siehe Anmerkung 1)

Gemessene Schalleistung dB(A) 105

Garantierte Schalleistung L_{WA} dB(A) 109

Lautstärke

(siehe Anmerkung 2)

Äquivalenter Schalldruckwert am Ohr des Anwenders, gemessen gem. EN ISO
22868, dB(A): 96

Vibrationen

(siehe Anmerkung 3)

Äquivalente Vibrationspegel ($a_{hv,eq}$) an den Griffen, gemessen gemäß EN ISO
22867, m/s^2

Vorderer/hinterer Handgriff: 3,7/6,2

Anmerkung 1: Gemessen zusammen mit zugelassenem Zubehör von Husqvarna. Umweltbelastende Geräuschemission gemessen als Schalleistung (L_{WA}) gemäß EG-Richtlinie 2000/14/EG. Der aufgezeichnete Lautstärkepegel für die Maschine wurde unter Verwendung der originalen Schneidausrüstung mit dem höchsten Pegel gemessen. Die Differenz zwischen garantiertem und gemessenem Lautstärkepegel besteht darin, dass bei der garantierten Lautstärke auch eine Streuung im Messergebnis und Variationen zwischen verschiedenen Maschinen desselben Modells gemäß der Richtlinie 2000/14/EG berücksichtigt werden.

Anmerkung 2: Gemessen zusammen mit zugelassenem Zubehör von Husqvarna. Berichten zufolge entspricht der Schalldruckpegel für diese Maschine normalerweise einer Ausbreitungsklasse (standardmäßige Ausbreitung) von 1 dB (A).

Anmerkung 3: Gemessen zusammen mit zugelassenem Zubehör von Husqvarna. Berichten zufolge liegt der äquivalente Vibrationspegel normalerweise bei einer Ausbreitungsklasse (Standardabweichung) von 1 m/s^2 .

EG-Konformitätserklärung (nur für Europa)

Husqvarna AB, SE-561 82 Huskvarna, Schweden, Tel. +46-36-146500 versichert hiermit, dass das Kehrmaschinenzubehör der Serie **Husqvarna BR600 / Jonsered BR600** den Vorschriften folgender RICHTLINIEN DES RATES entspricht:

- vom 17. Mai 2006 „Maschinen-Richtlinie“ **2006/42/EG**.

Folgende Normen wurden angewendet: **SS-EN ISO 12100:2010**

SMP Svensk Maskinprovning AB, Box 7035, SE-750 07 Uppsala, Schweden, hat die freiwillige Typenprüfung für Husqvarna AB durchgeführt.

Dieses Zubehör darf nur zusammen mit den dafür vorgesehenen Freischneidern/Trimmern benutzt werden, siehe "Zugelassenes Zubehör" unter Technische Daten in der Bedienungsanweisung des Geräts. Die Prüfzertifikate haben die Nummern: **SEC/15/2412** - BR600

Huskvarna, den 18. Februar 2015



Per Gustafsson, Entwicklungsleiter (Bevollmächtigter Vertreter für Husqvarna AB, verantwortlich für die technische Dokumentation.)

EXPLICATION DES SYMBOLES

Symboles

AVERTISSEMENT!

Un balai peut être un outil dangereux s'il est utilisé de façon négligente ou erronée, ce qui peut occasionner des blessures graves, voire mortelles à l'utilisateur ou à d'autres personnes. Il importe donc de lire attentivement et de bien assimiler le contenu de ce manuel de l'opérateur. Lire attentivement et bien assimiler le manuel d'utilisation avant d'utiliser la machine.



Toujours utiliser:

- Un casque de protection là où il y a un risque de chute d'objets.
- Protecteurs d'oreilles homologués
- Des protège-yeux homologués
- Utiliser une protection respiratoire dans les environnements poussiéreux.



Ce produit est conforme aux directives CE en vigueur.



L'utilisateur de la machine doit s'assurer qu'aucune personne ou animal ne s'approche à moins de 15 mètres pendant le travail.



Toujours porter des gants de protection homologués.



Utiliser des bottes antidérapantes et stables.



Maintenez toutes les parties de votre corps à distance des surfaces chaudes et brûlantes.



Avertissement : pièces en rotation. Gardez les mains et les pieds éloignés.



Attention: projections et ricochets.

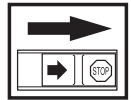


Émissions sonores dans l'environnement selon la directive de la Communauté européenne. Les émissions de la machine sont indiquées au chapitre Caractéristiques techniques et sur les autocollants.

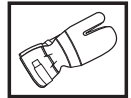


Les autres symboles/autocollants présents sur la machine concernant des exigences de certification spécifiques à certains marchés.

Arrêter le moteur en déplaçant l'interrupteur d'arrêt en position d'arrêt. REMARQUE! L'interrupteur d'arrêt se remet automatiquement en position de démarrage. Toujours retirer le chapeau de bougie de la bougie lors du montage, contrôle et/ou entretien, afin d'éviter tout démarrage accidentel.



Toujours porter des gants de protection homologués.



Examen visuel.



SOMMAIRE

Sommaire

EXPLICATION DES SYMBOLES

Symboles 62

SOMMAIRE

Sommaire 63

Contrôler les points suivants avant la mise en marche: 63

QUELS SONT LES COMPOSANTS?

Quels sont les composants du balai ? 64

INSTRUCTIONS DE SÉCURITÉ

Équipement de sécurité de la machine 65

Équipement de protection personnelle 65

Instructions générales de sécurité 66

Méthodes de travail 66

MONTAGE

Montage de l'accessoire balai 69

ENTRETIEN

Schéma d'entretien 70

CARACTÉRISTIQUES TECHNIQUES

Caractéristiques techniques 71

Déclaration CE de conformité 71

Contrôler les points suivants avant la mise en marche:

Lire attentivement et bien assimiler le manuel d'utilisation avant d'utiliser la machine.

Ces instructions sont un complément au manuel qui accompagne la machine. Pour les autres instructions, se reporter au manuel d'utilisation de la machine.

Husqvarna AB travaille continuellement au développement de ses produits et se réserve le droit d'en modifier, entre autres, la conception et l'aspect sans préavis.

Une exposition prolongée au bruit risque de causer des lésions auditives permanentes. Toujours utiliser des protecteurs d'oreille agréés.



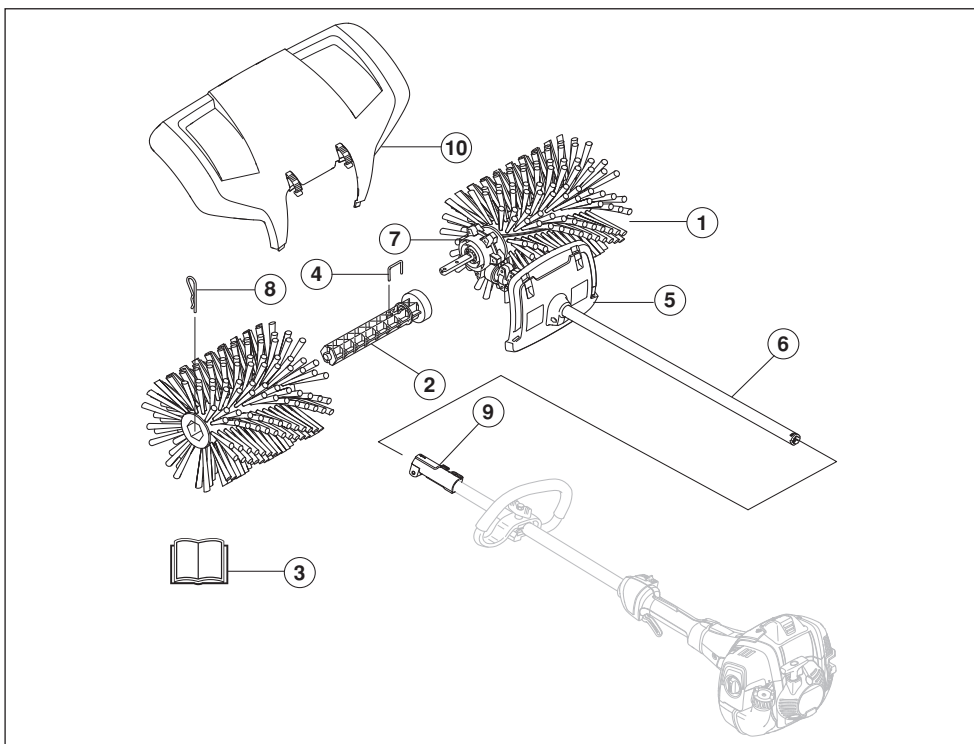
AVERTISSEMENT! Ne jamais modifier sous aucun prétexte la machine sans l'autorisation du fabricant. N'utiliser que des accessoires et des pièces d'origine. Des modifications non-autorisées et l'emploi d'accessoires non-homologués peuvent provoquer des accidents graves et même mortels, à l'utilisateur ou d'autres personnes.



AVERTISSEMENT! Cet accessoire ne peut être utilisé que pour les débroussailleuses/coupebordures auxquels il est expressément destiné. Voir la section "Accessoires homologués" au chapitre Caractéristiques techniques dans le manuel d'utilisation de la machine.

La machine est conçue uniquement pour le broissage des allées, des voies en asphalte et similaires.

QUELS SONT LES COMPOSANTS?



Quels sont les composants du balai ?

- | | |
|---------------------------------------|---|
| 1 Brosse | 6 Tube de transmission |
| 2 Arbre de tambour | 7 Carter |
| 3 Manuel d'utilisation | 8 Goupille fendue |
| 4 Goupille de blocage | 9 Raccord du tube de transmission (Provenant de la machine de base) |
| 5 Protection (Protection sur l'arbre) | 10 Protection anti-éclaboussures |

INSTRUCTIONS DE SÉCURITÉ

Équipement de sécurité de la machine

Ce chapitre présente les équipements de sécurité de la machine, leur fonction, comment les utiliser et les maintenir en bon état. Voir au chapitre Quels sont les composants? pour trouver leur emplacement sur la machine.

La durée de vie de la machine risque d'être écourtée et le risque d'accidents accru si la maintenance de la machine n'est pas effectuée correctement et si les mesures d'entretien et/ou de réparation ne sont pas effectuées de manière professionnelle. Pour obtenir de plus amples informations, contacter l'atelier de réparation le plus proche.



AVERTISSEMENT! Ne jamais utiliser une machine dont les équipements de sécurité sont défectueux. Contrôler et entretenir les équipements de sécurité de la machine conformément aux instructions données dans ce chapitre. Si les contrôles ne donnent pas de résultat positif, confier la machine à un atelier spécialisé.



AVERTISSEMENT! Arrêtez toujours le moteur avant de manipuler un quelconque pièce de l'accessoire. Il peut continuer à bouger même après que la gâchette d'accélération ait été relâchée. Assurez-vous que l'accessoire est complètement immobilisé et débranchez les câbles de la bougie d'allumage avant de commencer l'intervention sur l'accessoire.

Équipement de protection personnelle



AVERTISSEMENT! Un équipement de protection personnelle homologué doit impérativement être utilisé lors de tout travail avec la machine. L'équipement de protection personnelle n'élimine pas les risques mais réduit la gravité des blessures en cas d'accident. Demander conseil au concessionnaire afin de choisir un équipement adéquat. Lire attentivement et bien assimiler le manuel d'utilisation avant d'utiliser la machine.



AVERTISSEMENT! Soyez toujours attentifs aux signaux d'alerte ou aux appels en portant des protège-oreilles. Enlevez-les sitôt le moteur arrêté.

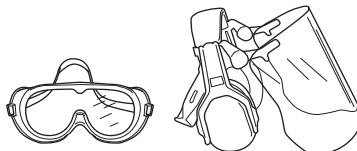
- Au besoin, utiliser des gants.



- Porter des protège-oreilles ayant un effet atténuateur suffisant.



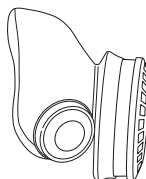
- Toujours porter des protège-yeux homologués. L'usage d'une visière doit toujours s'accompagner du port de lunettes de protection homologuées. Par lunettes de protection homologuées, on entend celles qui sont en conformité avec les normes ANSI Z87.1 (États-Unis) ou EN 166 (pays de l'UE). Les branches ou objets projetés peuvent causer des blessures aux yeux.



- Utiliser des bottes antidérapantes et stables.



- Portez toujours un pantalon long et épais, des bottes, des gants et une chemise à manches longues. Afin de réduire le risque de blessures associées à des objets aspirés par des pièces en rotation, ne portez pas de vêtements amples, d'écharpes, de bijoux, etc. Veillez à ce que les cheveux ne tombent pas sur les épaules.
- Utiliser une protection respiratoire dans les environnements poussiéreux.



INSTRUCTIONS DE SÉCURITÉ

- Une trousse de premiers secours doit toujours être disponible.



Instructions générales de sécurité

IMPORTANT!

Utiliser la machine uniquement pour les travaux auxquels elle est destinée. La machine est conçue uniquement pour le broissage des allées, des voies en asphalte et similaires.

Éviter d'utiliser la machine en cas de fatigue, d'absorption d'alcool ou de prise de médicaments susceptibles d'affecter l'acuité visuelle, le jugement ou la maîtrise du corps.

Utilisez l'équipement de protection personnelle recommandé dans le manuel de la machine de base. Demandez conseil au concessionnaire afin de choisir un équipement de protection adéquat.

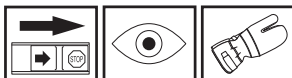
Ne jamais utiliser une machine qui a été modifiée au point de ne plus être conforme au modèle original.

Ne jamais utiliser la machine dans des conditions climatiques extrêmes telles que la froid intense ou climat très chaud et/ou humide.

Ne jamais utiliser une machine qui n'est pas en parfait état de marche. Appliquer les instructions de maintenance et d'entretien ainsi que les contrôles de sécurité indiqués dans ce manuel d'utilisation. Certaines mesures de maintenance et d'entretien doivent être confiées à un spécialiste dûment formé et qualifié. Voir les instructions à la section Maintenance.

- Ne jamais laisser un enfant utiliser la machine.
- L'utilisateur de la machine doit s'assurer qu'aucune personne ou animal ne s'approche à moins de 15 mètres pendant le travail.
- Ne jamais laisser d'autres personnes utiliser la machine sans s'être assuré au préalable que ces personnes ont bien compris le contenu du mode d'emploi.

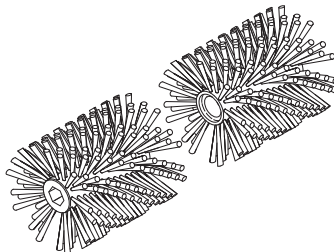
Consignes de sécurité avant la mise en marche



- Maintenir à distance toutes les personnes non concernées par le travail. Les enfants, les animaux,

les spectateurs et les collègues de travail devront se trouver en dehors de la zone de sécurité, soit à au moins 15 mètres. Arrêter immédiatement la machine si une personne s'approche.

- Contrôler toute la machine avant de la mettre en marche. Remplacer les pièces endommagées. S'assurer que le carburant ne fuit pas et que toutes les protections et carters sont complets et correctement fixés. Vérifier toutes les vis et écrous.
- Vérifiez que les brosses ne sont pas abîmées et ne présentent pas de signes de fissures ou d'autres dommages.



Démarrage à froid:

- Faites chauffer la machine de base, puis arrêtez-la.
- Montez l'accessoire conformément aux instructions de montage.
- Lors de l'ajustement du carburateur, assurez-vous que les brosses sont maintenues contre le sol et que personne ne se trouve à proximité.
- Assurez-vous que les brosses tournent au ralenti.
- Contrôler que la poignée et les dispositifs de sécurité sont en bon état. Ne jamais utiliser une machine dont une pièce est manquante ou ayant été modifiée contrairement aux spécifications.
- Utiliser la machine uniquement pour les travaux auxquels elle est destinée.

Méthodes de travail

IMPORTANT!

Cette section décrit les règles élémentaires de sécurité relatives à l'utilisation de la brosse.

Dans l'éventualité d'une situation rendant la suite du travail incertaine, consulter un expert. S'adresser au revendeur ou à l'atelier de réparation.

Évitez les tâches pour lesquelles vous ne vous sentez pas suffisamment qualifié.

Règles élémentaires de sécurité

Bien observer la zone de travail:

- S'assurer qu'aucune personne, aucun animal ou aucun autre facteur ne risque de gêner l'utilisateur de la machine.

INSTRUCTIONS DE SÉCURITÉ

- Pour éviter que les éléments précédemment cités n'entrent en contact avec le balai ou que des objets soient projetés vers l'extérieur.
 - **REMARQUE!** Ne jamais utiliser une machine s'il n'est pas possible d'appeler au secours en cas d'accident.
- 1 Ne pas travailler par mauvais temps: brouillard épais, pluie diluvienne, vent violent, grand froid, etc. Travailler par mauvais temps est cause de fatigue et peut même être dangereux: sol glissant.
 - 2 S'assurer de pouvoir se tenir et se déplacer en toute sécurité.
 - 3 Arrêter le moteur en cas de dépacement.
 - 4 Ne jamais placer la machine sur le sol avec le moteur en marche sans pouvoir la surveiller.

Techniques de travail de base

- Toujours adopter une position de travail sûre et stable.



- Toujours tenir la machine avec les deux mains. Porter la machine sur le côté du corps.
- Veiller à ce que ni les mains ni les pieds ne soient en contact avec la brosse lorsque le moteur tourne.
- Après l'arrêt du moteur, maintenir mains et pieds à l'écart de la brosse jusqu'à l'arrêt total de celle-ci.
- Ramener le moteur au régime de ralenti après chaque étape de travail. Laisser le moteur tourner à pleins gaz sans lui faire subir de charge (c'est-à-dire sans la résistance que rencontre le moteur, via l'équipement de coupe, en utilisant la machine) peut endommager sérieusement le moteur.
- En cas de fortes vibrations, arrêter la machine. Débrancher le câble d'allumage de la bougie. Contrôler que la machine n'est pas endommagée. Réparer les dommages éventuels.



AVERTISSEMENT! Attention aux objets projetés. Travaillez toujours avec des protections pour les yeux. Ne vous penchez jamais par-dessus la brosse. Des cailloux, débris, etc. peuvent être projetés dans vos yeux et causer des blessures très graves, voire la cécité. Maintenir à distance toutes les personnes non concernées par le travail. Les enfants, les animaux, les spectateurs et les collègues de travail devront se trouver en dehors de la zone de sécurité, soit à au moins 15 mètres. Arrêter immédiatement la machine si une personne s'approche. Après l'utilisation, l'engrenage peut être chaud pendant un moment. Risque de brûlures au contact.

- Faites tourner la machine à plein régime (ou presque) en faisant reposer la brosse sur la surface.

NOTE!

Il est à la fois fatigant et inutile de lever ou maintenir la brosse au-dessus de la surface lorsque vous l'utilisez.

- Lors du nettoyage de surfaces étroites telles que des chemins, la machine peut être utilisée de manière à envoyer les matériaux directement devant vous. Si vous souhaitez travailler sur des surfaces plus larges, vous devrez travailler d'un certain angle afin que tous les matériaux s'accumulent d'un côté. L'accumulation de matériaux légers peut être recueillie en une seule rangée ou pile pour être ramassée plus tard tandis que les matériaux durs ou plus volumineux devront être collectés en plusieurs fois.



INSTRUCTIONS DE SÉCURITÉ

Afin d'accéder dans les coins, déposez le pare-boue, desserrez le raccord de l'accessoire et faites pivoter l'accessoire d'un demi-tour.



AVERTISSEMENT! Les débris seront alors projetés en arrière, vers l'utilisateur. Utilisez une vitesse inférieure lorsque vous faites fonctionner la machine en marche arrière et n'oubliez pas qu'il est facile de trébucher sur des matériaux qui sont projetés.

- Conservez un petit angle de travail. Un angle de travail trop grand peut vous faire perdre le contrôle.

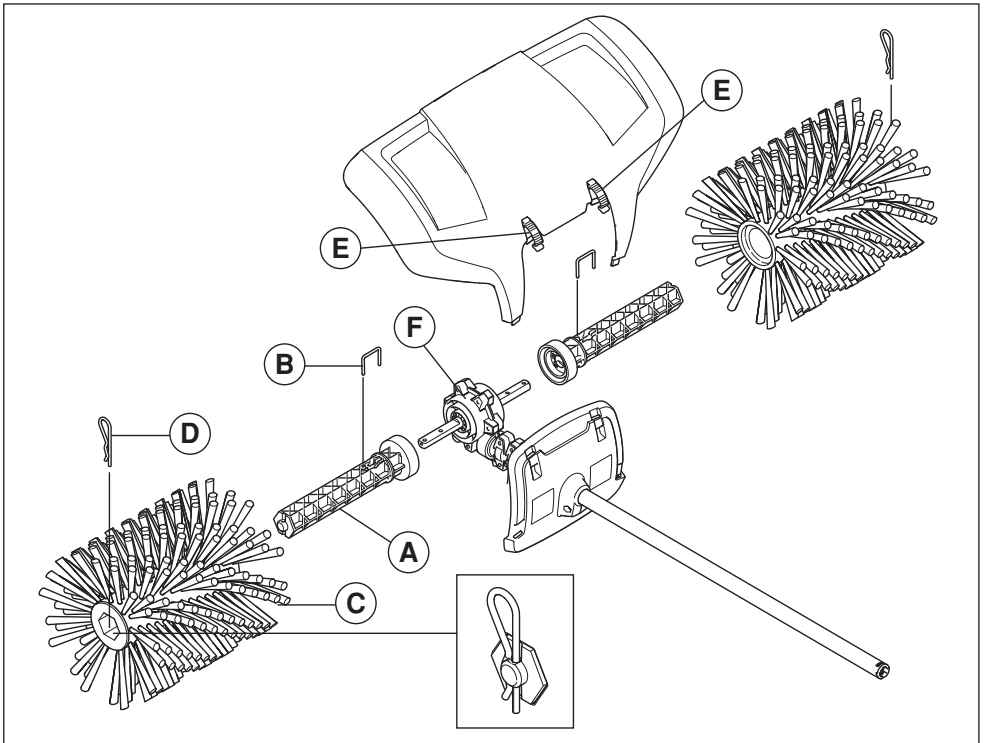


AVERTISSEMENT! Conservez un petit angle de travail par rapport à la surface. Un angle de travail trop grand signifie que le balai a tendance à se déplacer vers vous et que vous risquez de perdre le contrôle de la machine.

La brosse peut tourner lorsque le balai est mis en marche. Maintenez fermement la machine lors de la mise en marche. Faites attention aux objets qui peuvent s'accrocher aux brosses rotatives ou qui peuvent être projetés par celles-ci.

Bien que les brosses n'aient pas la même force que les lames d'une tondeuse, par exemple, vous devez éviter de travailler avec des matériaux qui peuvent causer des blessures personnelles ou des dégâts matériels en cas de projection.

MONTAGE



Montage de l'accessoire balai

- 1 Pressez l'un des arbres du tambour (A) sur l'un des deux arbres d'entraînement de sortie du carter (F). Faites tourner l'arbre du tambour si nécessaire afin que le trou de la goupille se place sur le trou correspondant dans l'arbre d'entraînement.
- 2 Fixez l'arbre du rouleau avec la goupille de blocage (B).
- 3 Placez l'un des rouleaux de brosse (C) sur l'arbre monté. Appuyez sur le rouleau jusqu'à ce qu'il rencontre une butée.
- 4 Fixez le rouleau sur l'arbre à l'aide d'une goupille d'assemblage (D). Appuyez légèrement sur l'extrémité lors du montage.
- 5 Répétez ces étapes pour monter l'arbre et le rouleau sur le côté opposé.
- 6 Montez le pare-boue avec les clips de fixation (E).
- 7 Pour le montage des accessoires sur une machine de base, reportez-vous au manuel de la machine de base.

Schéma d'entretien

Nous donnons ici quelques conseils d'entretien à caractère général. Pour plus d'informations, contacter l'atelier de réparation.

IMPORTANT!

Le balai est souvent utilisé dans des conditions poussiéreuses. Il est extrêmement important d'entretenir régulièrement le filtre à air, chaque jour en règle générale. Le filtre à air doit être huilé pour fonctionner de façon satisfaisante.

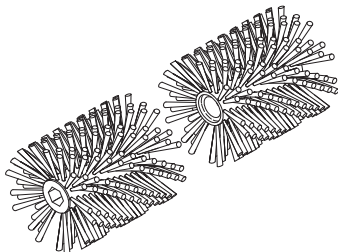
Reportez-vous au manuel de l'opérateur du produit pour les instructions d'entretien.

Entretien quotidien



AVERTISSEMENT! Après l'utilisation de la machine, le carter est chaud. Ne touchez pas le carter afin d'éviter les brûlures.

- Assurez-vous que les brosses ne tournent pas lorsque le moteur tourne au ralenti.



- Vérifiez que les brosses ne sont pas endommagées ou fissurées. Remplacez les brosses si nécessaire.
- Suspendez la brosse lorsque vous la remisez pendant de longues périodes.

Transport et rangement

- En cas de transport, toujours utiliser les dispositifs de tension agréés et vérifier que la machine est bien attachée.
- Avant de remiser la machine pour une période prolongée, veiller à ce qu'elle soit bien nettoyée et que toutes les mesures d'entretien aient été effectuées.

CARACTÉRISTIQUES TECHNIQUES

Caractéristiques techniques

Caractéristiques techniques

Balai	BR600
Largeur de la brosse, mm	597
Diamètre de la brosse, mm	270
Poids	
Poids, kg	5,5

Émissions sonores

(voir rem. 1)

Niveau de puissance sonore mesuré dB(A) 105

Niveau de puissance sonore garanti L_{WA} dB(A) 109

Niveaux sonores

(voir remarque 2)

Pression acoustique équivalente au niveau des oreilles de l'utilisateur, mesurée selon EN ISO 22868, dB(A): 96

Vibrations

(voir remarque 3)

Niveaux de vibrations équivalents (a_{hveq}) mesurés au niveau des poignées selon EN ISO 22867, en m/s^2 .

Poignées avant/arrière: 3,7/6,2

Remarque 1: Mesuré avec des accessoires homologués Husqvarna. Émission sonore dans l'environnement mesurée comme puissance acoustique (L_{WA}) selon la directive UE 2000/14/CE. Le niveau de puissance sonore reporté pour la machine a été mesuré avec l'équipement de coupe d'origine qui donne le niveau le plus élevé. Le niveau de puissance sonore garanti diffère du niveau mesuré en cela qu'il prend également en compte la dispersion et les variations d'une machine à l'autre du même modèle, conformément à la directive 2000/14/CE.

Remarque 2: Mesuré avec des accessoires homologués Husqvarna. Les données reportées pour le niveau de pression sonore équivalent pour la machine montrent une dispersion statistique typique (déviations standard) de 1 dB (A).

Remarque 3: Mesuré avec des accessoires homologués Husqvarna. Les données reportées pour le niveau de vibrations équivalent montrent une dispersion statistique typique (déviations standard) de 1 m/s^2 .

Déclaration CE de conformité (Concerne seulement l'Europe)

Nous, Husqvarna AB, SE-561 82 Huskvarna, Suède, tél. +46-36-146500, déclarons que l'accessoire balai Husqvarna BR600 / Jonsered BR600 est conforme aux dispositions de la DIRECTIVE DU CONSEIL :

- du 17 mai 2006 "directive machines" 2006/42/CE.

Les normes harmonisées suivantes ont été appliquées: **SS-EN ISO 12100:2010**

SMP Svensk Maskinprovning AB, Box 7035, SE-750 07 Uppsala, Suède, a procédé à des tests de type facultatifs pour le compte de Husqvarna AB.

Cet accessoire ne peut être utilisé que pour les débroussailluses/coupebordures auxquels il est expressément destiné. Voir la section "Accessoires homologués" au chapitre Caractéristiques techniques dans le manuel d'utilisation de la machine. Les certificats ont les numéros: **SEC/15/2412** - BR600

Huskvarna, le 18 février 2015



Per Gustafsson, directeur du développement (Représentant autorisé d'Husqvarna AB et responsable de la documentation technique.)

VERKLARING VAN DE SYMBOLEN

Symbolen

WAARSCHUWING!

Een veegmachine kan bij onjuist of onachtzaam gebruik een gevaarlijk gereedschap zijn dat ernstig of zelfs dodelijk letsel aan de gebruiker of anderen kan toebrengen. Het is zeer belangrijk dat u de inhoud van deze gebruiksaanwijzing leest en begrijpt.



Neem de gebruiksaanwijzing grondig door en gebruik de machine niet voor u alles duidelijk heeft begrepen.



Draag altijd:

- Een veiligheidshelm bij kans op vallende voorwerpen
- Goedgekeurde gehoorbeschermers
- Een goedgekeurde oogbescherming
- U moet een ademhalingsbescherming gebruiken omdat het risico van stof bestaat.



Dit product voldoet aan de geldende CE-richtlijnen.



Gebruikers van de machine moeten erop toezien dat er tijdens het werk geen mensen of dieren dichterbij de machine komen.



Gebruik altijd goedgekeurde veiligheidshandschoenen.



Gebruik stevige antisliplaarzen.



Houd alle lichaamsdelen uit de buurt van de hete oppervlakken.



Waarschuwing: draaiende delen. Houd de handen en voeten vrij.



Waarschuwing voor weggeslingerde en afgeketste voorwerpen.

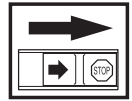


Geluidsemisatie naar de omgeving volgens de richtlijnen van de Europese Gemeenschap. De emissie van de machine wordt aangegeven in het hoofdstuk Technische gegevens en op plaatjes.



Overige op de machine aangegeven symbolen/ plaatjes verwijzen naar specifieke eisen aan certificering op bepaalde markten.

De motor wordt uitgezet door de stopschakelaar naar stopstand te schuiven. N.B.! De stopschakelaar gaat automatisch terug naar startstand. Om een ongewenste start te voorkomen, moet de bougiekap altijd van de bougie worden gehaald bij montage, controle en/of onderhoud.



Gebruik altijd goedgekeurde veiligheidshandschoenen.



Controleer met het blote oog.



Inhoud

VERKLARING VAN DE SYMBOLEN

Symbolen 72

INHOUD

Inhoud 73

Voor het starten moet u rekening houden met de volgende punten: 73

WAT IS WAT?

Wat is wat op de veegmachine? 74

VEILIGHEIDSINSTRUCTIES

Veiligheidsuitrusting van de machine 75

Persoonlijke veiligheidsuitrusting 75

Algemene veiligheidsinstructies 76

Algemene werkinstructies 76

MONTEREN

Veegmachine monteren 79

ONDERHOUD

Onderhoudsschema 80

TECHNISCHE GEGEVENS

Technische gegevens 81

EG-verklaring van overeenstemming 81

Voor het starten moet u rekening houden met de volgende punten:

Neem de gebruiksaanwijzing grondig door en gebruik de machine niet voor u alles duidelijk heeft begrepen.

Deze gebruiksaanwijzing is een aanvulling op de gebruiksaanwijzing die bij de machine gevoegd is. Voor overige behandeling, zie de gebruiksaanwijzing van de machine.

Husqvarna AB werkt voortdurend aan het verder ontwikkelen van haar producten en houdt zich dan ook het recht voor om zonder aankondiging vooraf wijzigingen in o.a. vorm en uiterlijk door te voeren.

Langdurige blootstelling aan lawaai kan leiden tot permanente gehoorbeschadiging. Gebruik daarom altijd goedgekeurde gehoorbescherming.



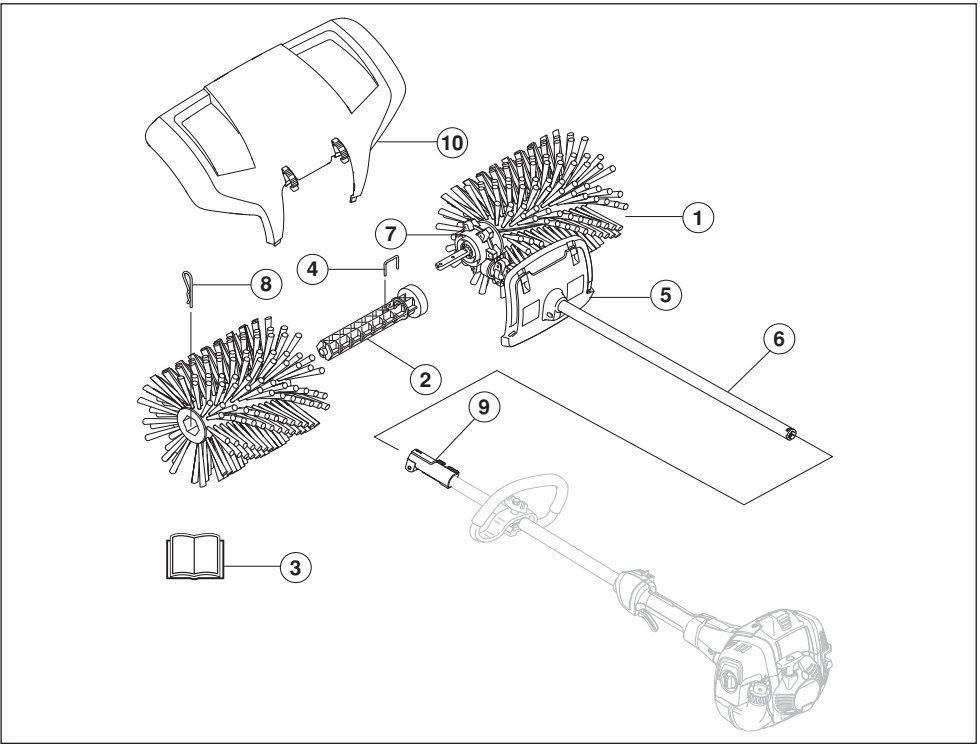
WAARSCHUWING! De oorspronkelijke vormgeving van de machine mag in geen enkel geval gewijzigd worden zonder toestemming van de fabrikant. Men moet altijd originele onderdelen gebruiken. Niet goedgekeurde wijzigingen en/of niet-originele onderdelen kunnen tot ernstige verwondingen of de dood van zowel gebruiker als omstanders leiden.



WAARSCHUWING! Deze accessoire mag alleen worden gebruikt met de daarvoor bestemde motorzeisen/trimmers, zie de rubriek "Goedgekeurde accessoires" in het hoofdstuk Technische gegevens in de gebruiksaanwijzing van de machine.

De machine is alleen bedoeld voor het vegen van paden, geasfalteerde wegen en dergelijke.

WAT IS WAT?



Wat is wat op de veegmachine?

- | | |
|--------------------------------------|--|
| 1 Borsteltrommel | 6 Steel |
| 2 Trommelas | 7 Versnelling |
| 3 Gebruiksaanwijzing | 8 Splitpen |
| 4 Borgpen | 9 Steelkoppeling (onderdeel van de basismachine) |
| 5 Beschermkap (bescherming op de as) | 10 Spatbescherming |

VEILIGHEIDSLINSTRUCTIES

Veiligheidsuitrusting van de machine

In dit hoofdstuk wordt verklaard wat de veiligheidsonderdelen van de machine zijn, welke functie ze hebben en hoe de controle en het onderhoud moeten uitgevoerd worden om hun goede werking veilig te stellen. Bekijk het hoofdstuk Wat is wat? om te zien waar deze onderdelen zich bevinden op uw machine.

De levensduur van de machine kan worden verkort en het risico van ongelukken kan toenemen wanneer het onderhoud aan de machine niet op de juiste manier wordt uitgevoerd en wanneer service en/of reparaties niet vakkundig worden gedaan. Indien u meer informatie nodig heeft, verzoeken wij u contact op te nemen met de dichtstbijzijnde servicewerkplaats.



WAARSCHUWING! Gebruik de machine nooit wanneer de veiligheidsuitrusting defect is. De veiligheidsuitrusting van de machine moet gecontroleerd en onderhouden worden zoals beschreven in dit hoofdstuk. Als uw machine niet door alle controles komt, moet u ermee naar uw servicewerkplaats voor reparatie.



WAARSCHUWING! Schakel altijd de motor uit voordat u werkzaamheden aan onderdelen van het accessoire gaat uitvoeren. Hij kan blijven draaien, zelfs nadat de gashendel is losgelaten. Zorg ervoor dat het accessoire volledig tot stilstand is gekomen en koppel de HT-kabels los van de bougie voordat u werkzaamheden gaat uitvoeren.

Persoonlijke veiligheidsuitrusting



WAARSCHUWING! Bij al het gebruik van de machine moet goedgekeurde persoonlijke beschermingsuitrusting gebruikt worden. Persoonlijke beschermingsuitrusting elimineert de risico's niet, maar vermindert het schadelijk effect in geval van een ongeval. Vraag uw dealer om raad wanneer u uw uitrusting koopt. Neem de gebruiksaanwijzing grondig door en gebruik de machine niet voor u alles duidelijk heeft begrepen.



WAARSCHUWING! Wees altijd bedacht op waarschuwingssignalen of geroep wanneer u gehoorbescherming gebruikt. Doe de gehoorbescherming altijd af zodra de motor is gestopt.

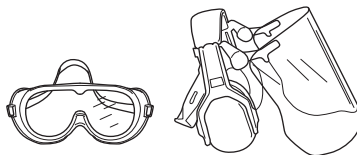
- Draag handschoenen indien nodig.



- U moet gehoorbescherming met voldoende dempvermogen dragen.



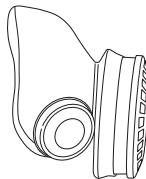
- Gebruik altijd goedgekeurde oogbescherming. Wanneer u een vizier gebruikt moet u ook een goedgekeurde veiligheidsbril gebruiken. Met een goedgekeurde veiligheidsbril wordt een bril bedoeld die voldoet aan norm ANSI Z87.1 voor de VS en EN 166 voor de EU-landen. Takken of voorwerpen die weggeslingerd worden kunnen uw ogen verwonden.



- Gebruik stevige antisliplaarzen.



- Draag altijd een dikke, lange broek, laarzen, handschoenen en een shirt met lange mouwen. Om letsel te voorkomen als gevolg van voorwerpen die in de draaiende delen terechtkomen, dient u geen wijde kleding, sjaals, sieraden etc. te dragen. Zet uw haar vast boven schouder niveau.
- U moet een ademhalingsbescherming gebruiken omdat het risico van stof bestaat.



VEILIGHEIDSINSTRUCTIES

- U moet altijd een EHBO-kit bij de hand hebben.



Algemene veiligheidsinstructies

BELANGRIJK!

Gebruik de machine alleen voor het beoogde doel. De machine is alleen bedoeld voor het vegen van paden, geasfalteerde wegen en dergelijke.

Gebruik de machine nooit als u moe bent, alcohol heeft gedronken of medicijnen heeft ingenomen die uw gezichtsvermogen, beoordelingsvermogen of coördinatievermogen negatief beïnvloeden.

Gebruik de in de handleiding geadviseerde persoonlijke beschermingsmiddelen voor de basismachine. Vraag uw dealer om advies bij de keuze van de juiste beschermingsmiddelen.

Gebruik nooit een machine die zo gewijzigd is dat ze niet langer overeenkomt met de originele uitvoering.

Gebruik de machine nooit bij extreme klimaatomstandigheden zoals strenge kou of een zeer warm en/of vochtig klimaat.

Gebruik nooit een machine die defect is. Voer de in deze handleiding beschreven veiligheidscontroles en de onderhouds- en service-instructies uit. Bepaalde onderhouds- en servicemaatregelen moeten door opgeleide en gekwalificeerde specialisten worden uitgevoerd. Zie de instructies in het hoofdstuk Onderhoud.

- Laat nooit kinderen de machine gebruiken.
- Gebruikers van de machine moeten erop toezien dat er tijdens het werk geen mensen of dieren dichterbij komen.
- Laat nooit een ander de machine gebruiken zonder u ervan te verzekeren dat ze de inhoud van de gebruiksaanwijzing hebben begrepen.

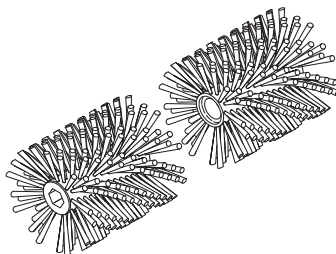
Veiligheidsvoorschriften voor de start



- Houd onbevoegden op afstand. Kinderen, dieren, toeschouwers en medewerkers moeten zich buiten de veiligheidszone van 15 m bevinden. Schakel de machine onmiddellijk uit indien iemand dichterbij komt.
- Controleer de machine in zijn geheel voor de start. Vervang beschadigde onderdelen. Controleer of er brandstof wegloopt, of alle beveiligingen en kappen

heel zijn en of deze op de juiste manier zijn bevestigd. Controleer alle schroeven en moeren.

- Controleer of de borsteltrommels niet zijn beschadigd en geen tekenen van scheuren of andere beschadigingen vertonen.



Bij koudestart:

- Laat de basismachine warmlopen en schakel hem vervolgens uit.
- Monteer het accessoire overeenkomstig de montage-instructies.
- Als u de carburateur afstelt, moet u zorgen dat de borsteltrommels tegen de grond worden gehouden en dat er niemand in de buurt is.
- Zorg dat de borsteltrommels vrij kunnen lopen.
- Controleer of de handvat- en veiligheidsfuncties in orde zijn. Gebruik nooit een machine waarbij een onderdeel ontbreekt of die, buiten de specificatie om, gewijzigd is.
- Gebruik de machine alleen voor het beoogde doel.

Algemene werkinstructies

BELANGRIJK!

In dit gedeelte worden de basisveiligheidsregels beschreven voor de borstel.

Wanneer u in een situatie belandt waarin u niet goed weet hoe u verder te werk moet gaan, moet u een expert raadplegen. Wend u tot uw dealer of uw servicewerkplaats.

Gebruik de machine nooit voor taken waarvoor u niet voldoende gekwalificeerd bent.

Basisveiligheidsregels

Controleer de omgeving:

- Om ervoor te zorgen dat u de controle over uw machine niet kunt verliezen vanwege omstanders, dieren of een andere reden.
- Zorg dat geen van de bovenstaande voorwerpen in contact kunnen komen met de veegmachine of dat losse objecten eruit worden geworpen.
- N.B.! Gebruik de machine nooit zonder de mogelijkheid hulp in te roepen in geval van nood.

VEILIGHEIDSLINSTRUCTIES

- 1 Gebruik de motorkettingzaag niet in ongunstige weersomstandigheden. B.v. bij dichte mist, hevige regen, harde wind, hevige koude enz. Werken in slechte weersomstandigheden is vermoeiend en kan tot gevaarlijke situaties leiden, zo kan de grond glad zijn.
- 2 Zorg ervoor dat u veilig kunt gaan en staan.
- 3 Bij verplaatsen moet de motor uitgezet worden.
- 4 Wanneer de motor loopt, mag u de machine alleen neerzetten als u er een wakend oogje kunt op houden.

Basistechniek

- Let erop dat u tijdens het werken altijd op een veilige en stabiele ondergrond staat.



- Houd de machine altijd met beide handen vast. Houd de machine rechts van uw lichaam.
- Zorg dat uw handen en voeten niet vlak bij de borstel komen wanneer de motor draait.
- Wanneer de motor is uitgeschakeld, moet u uw handen en voeten niet vlak bij de borstel plaatsen voordat de motor helemaal is gestopt.
- Laat na elke stap van het werkproces de motor stationair draaien. Als de motor langdurig op volle toeren draait zonder dat hij belast wordt (d.w.z. zonder de weerstand die de motor bij het werken met de machine ondervindt via de snijuitrusting) kan dit tot ernstige beschadigingen van de motor leiden.
- Zet de machine stil, als er hevige trillingen ontstaan. Neem de startkabel los van de bougie. Controleer of de machine is beschadigd. Repareer eventuele beschadigingen.



WAARSCHUWING! Kijk uit voor wegschietende objecten. Draag altijd oogbescherming. Buig u nooit voorover over de borstelrommel. Stenen, afval, enzovoort kunnen omhoog schieten in uw ogen en blindheid of ernstig letsel veroorzaken. Houd onbevoegden op afstand. Kinderen, dieren, toeschouwers en medewerkers moeten zich buiten de veiligheidszone van 15 m bevinden. Schakel de machine onmiddellijk uit indien iemand dichterbij komt. Het tandwiel kan tijdens gebruik heet worden en enige tijd heet blijven. Aanraking kan brandwonden veroorzaken.

- Laat de machine met vol (of bijna vol) gas draaien terwijl de borstel op het oppervlak rust.

NOTE!

Het is vermoeiend en niet nodig om de borstel boven het oppervlak te tillen of te houden tijdens het werken.

- Bij het schoonmaken van nauwe doorgangen zoals paden, kunt u de machine gebruiken om het materiaal recht voor u uit te werpen. Als u op bredere oppervlakken werkt, moet u onder een zodanige hoek te werk gaan dat er aan één kant hopen ontstaan. Licht materiaal kan in één rij of hoop worden verzameld en later worden verwijderd terwijl bij harde of meer omvangrijke materialen mogelijk meerdere rijen nodig zijn.



VEILIGHEIDSINSTRUCTIES

Om goed in hoeken te kunnen komen, verwijdert u de spatbeschermer, draait u de koppeling van het accessoire los en draait u het accessoire een halve slag.



WAARSCHUWING! Vuil wordt dan teruggeworpen in de richting van de gebruiker. Gebruik een lagere snelheid bij het keren van de machine en pas op dat u niet struikelt over het uitgeworpen materiaal.

- Houd een kleine werkhoek aan. Bij een te grote hoek riskeert u de controle over de machine te verliezen.

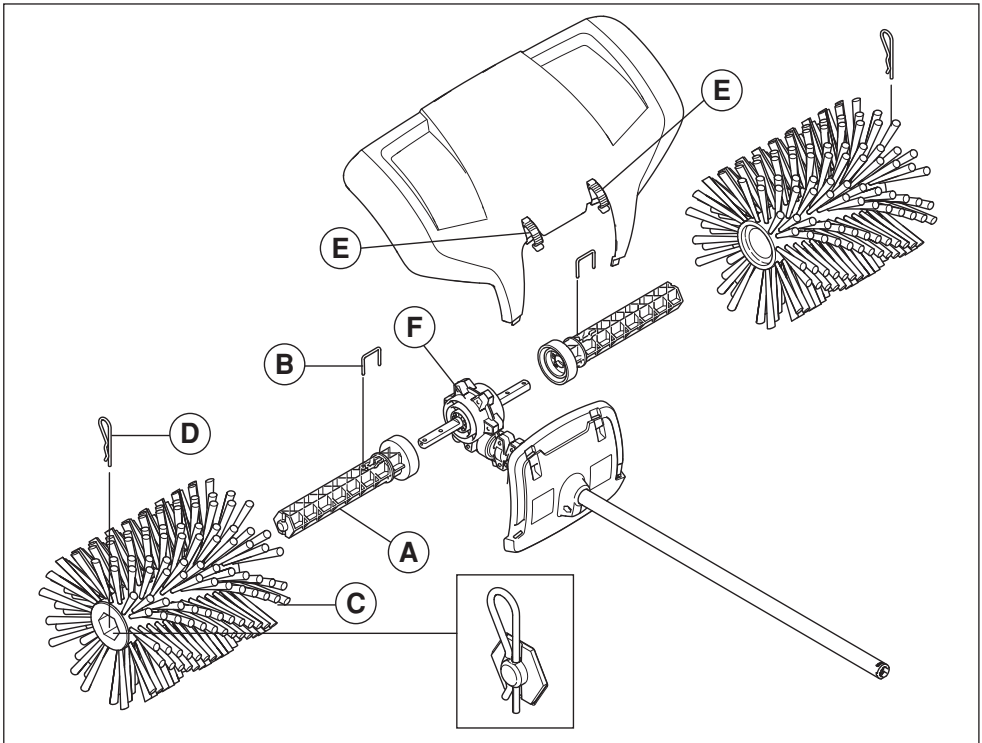


WAARSCHUWING! Houd een kleine werkhoek aan ten opzichte van het oppervlak. Bij een grote werkhoek kan de machine naar u toe bewegen en riskeert u de controle over de machine kwijt te raken.

De borsteltrommels kunnen draaien wanneer de veegmachine wordt gestart. Houd de machine stevig vast bij het starten. Let steeds op objecten die vast kunnen komen te zitten of worden uitgeworpen door de draaiende borsteltrommels.

De borsteltrommels hebben niet dezelfde kracht als bijvoorbeeld de bladen van een gazonmaaier, maar u kunt beter voorkomen dat materiaal bij het uitwerpen persoonlijk letsel of schade aan eigendommen veroorzaakt.

MONTEREN



Veegmachine monteren

- 1 Druk een van de twee trommelassen (F) op een van de twee uitgaande aandrijfassen van het tandwielhuis (F). Draai de trommelas indien nodig zodat het pengat over het overeenkomstige gat in de aandrijfas valt.
- 2 Zet de as van de rol vast met de borgpen (B).
- 3 Plaats een van de borstelrollen (C) op de gemonteerde as. Druk de rol er tot de aanslag in.
- 4 Bevestig de rol op de as met een splitpen (D). Druk het uiteinde er bij de montage een stukje in.
- 5 Herhaal deze stappen om de as en de roller aan de andere zijde te monteren.
- 6 Monteer de spatbeschermkap met de snelkoppelingen (E).
- 7 Voor montage van accessoires op een basismachine, raadpleegt u de handleiding voor de basismachine.

Onderhoudsschema

Hieronder worden algemene onderhoudsvorschriften opgesomd. Neem contact op met uw dealer indien u meer informatie behoeft.

BELANGRIJK!

Het werken met de veegmachine vindt vaak plaats in stoffige omstandigheden. Het is van groot belang om het luchtfilter regelmatig schoon te maken, vaak dagelijks. Het luchtfilter moet worden gesmeerd om goed te werken.

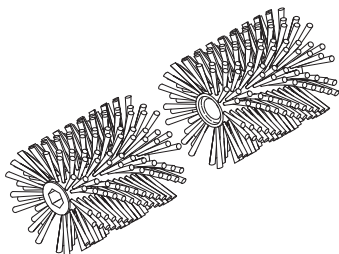
Raadpleeg de bedieningshandleiding bij het product voor onderhoudsinstructies.

Dagelijks onderhoud



WAARSCHUWING! Het tandwielhuis is warm wanneer de machine is gebruikt. Raak het tandwielhuis daarom niet aan om brandwonden te voorkomen.

- Zorg dat de borsteltrommels niet vrij kunnen draaien.



- Controleer de borsteltrommels op beschadigingen en barsten. Vervang de borsteltrommels indien nodig.
- Hang de borstel op tijdens langdurige opslag.

Transport en opbergen

- Bij eventueel transport moet u altijd goedgekeurd spanmateriaal gebruiken en ervoor zorgen dat de machine goed vast zit.
- Zorg ervoor dat de machine goed is schoongemaakt en dat een volledige servicebeurt is gegeven voor een lange periode van stalling.

TECHNISCHE GEGEVENS

Technische gegevens

Technische gegevens

Veegmachine

BR600

Breedte borstelrommel, mm

597

Diameter borstelrommel, mm

270

Gewicht

Gewicht, in kg

5,5

Lawaai-emissie

(zie opm. 1)

Geluidsvermogen, gemeten dB(A)

105

Geluidsvermogen, gegarandeerd L_{WA} dB(A)

109

Geluidsniveau

(zie opm. 2)

Equivalent geluidsdrukniveau bij het oor van de gebruiker, gemeten volgens EN ISO 22868, dB(A):

96

Trillingen

(zie opm. 3)

Equivalent trillingsniveau ($a_{hv,eq}$) bij handvat, gemeten overeenkomstig EN ISO 22867, m/s^2

Voorste/achterste handvat:

3,7/6,2

Opm. 1: Gemeten met door Husqvarna goedgekeurde accessoires. Emissie van geluid naar de omgeving gemeten als geluidsvermogen (L_{WA}) volgens EG-richtlijn 2000/14/EG. Het gerapporteerde geluidsvermogeniveau voor de machine is gemeten met de originele snijuitrusting die het hoogste niveau geeft. Het verschil tussen het gegarandeerde en het gemeten geluidsvermogen is dat het gegarandeerde geluidsvermogen ook de dispersie in het meetresultaat meeneemt alsmede variaties tussen verschillende machines van hetzelfde model, conform Richtlijn 2000/14/EG.

Opm. 2: Gemeten met door Husqvarna goedgekeurde accessoires. De gerapporteerde gegevens voor het equivalente geluidsdrukniveau vertonen een typische statistische spreiding (standaardafwijking) van 1 dB (A).

Opm. 3: Gemeten met door Husqvarna goedgekeurde accessoires. De gerapporteerde gegevens voor het equivalente trillingsniveau vertonen een typische statistische spreiding (standaardafwijking) van 1 m/s^2 .

EG-verklaring van overeenstemming (Alleen geldig voor Europa)

Husqvarna AB, SE-561 82 Huskvarna, Zweden, tel. +46-36-146500 verklaart dat het accessoire Veegmachine **Husqvarna BR600 / Jonsered BR600** voldoet aan de eisen die in de RICHTLIJN VAN DE RAAD zijn opgenomen:

- van 17 mei 2006 "betreffende machines" **2006/42/EG**.

De volgende normen zijn van toepassing: **SS-EN ISO 12100:2010**

SMP Svensk Maskinprovning AB, Box 7035, SE-750 07 Uppsala, Zweden, heeft voor Husqvarna AB een vrijwillige typekeuring uitgevoerd.

Deze accessoire mag alleen worden gebruikt met de daarvoor bestemde motorzeisen/trimmers, zie de rubriek "Goedgekeurde accessoires" in het hoofdstuk Technische gegevens in de gebruiksaanwijzing van de machine. De certificaten hebben nummer: **SEC/15/2412 - BR600**

Huskvarna, 18 februari 2015



Per Gustafsson, Hoofd Ontwikkeling (erkende vertegenwoordiger voor Husqvarna AB en verantwoordelijk voor technische documentatie.)

ACLARACIÓN DE LOS SÍMBOLOS

Símbolos

¡ATENCIÓN!

Una barredora puede ser una herramienta peligrosa si se usa de forma incorrecta o sin cuidado y puede causar lesiones graves o incluso mortales a quien la maneja y a quienes le rodean. Es muy importante que lea y comprenda el contenido de este manual de usuario.



Lea detenidamente el manual de instrucciones y asegúrese de entender su contenido antes de utilizar la máquina.



Utilice siempre:

- Casco protector cuando exista el riesgo de objetos que caen
- Protectores auriculares homologados
- Protección ocular homologada
- Utilizar mascarilla respiratoria si hay riesgo de que se levante polvo.



Este producto cumple con la directiva CE vigente.



Durante el trabajo, el usuario de la máquina debe procurar que ninguna persona o animal se acerque a más de 15 metros a la máquina.



Utilice siempre guantes protectores homologados.



Utilice botas antideslizantes y seguras.



Mantenga todas las partes del cuerpo lejos de las superficies calientes.



Advertencia: piezas giratorias.
Mantenga alejados las manos y los pies.



Cuidado con los objetos lanzados o rebotados.

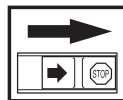


Las emisiones sonoras en el entorno según la directiva de la Comunidad Europea. Las emisiones de la máquina se indican en el capítulo Datos técnicos y en la etiqueta.

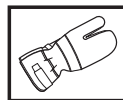


Los demás símbolos/etiquetas que aparecen en la máquina corresponden a requisitos de homologación específicos en determinados mercados.

El motor se para poniendo el contacto de parada en la posición de parada. ¡NOTA! El contacto de parada retorna automáticamente a la posición de arranque. Por consiguiente, antes de realizar trabajos de montaje, control y/o mantenimiento se debe quitar el capuchón de encendido de la bujía para evitar el arranque imprevisto.



Utilice siempre guantes protectores homologados.



Control visual.



Índice

ACLARACIÓN DE LOS SÍMBOLOS

Símbolos 82

ÍNDICE

Índice 83

Antes de arrancar, observe lo siguiente: 83

¿QUÉ ES QUÉ?

Descripción de los componentes de la barredora 84

INSTRUCCIONES DE SEGURIDAD

Equipo de seguridad de la máquina 85

Equipo de protección personal 85

Instrucciones generales de seguridad 86

Instrucciones generales de trabajo 86

MONTAJE

Montaje del accesorio de barredora 89

MANTENIMIENTO

Programa de mantenimiento 90

DATOS TÉCNICOS

Datos técnicos 91

Declaración CE de conformidad 91

Antes de arrancar, observe lo siguiente:

Lea detenidamente el manual de instrucciones y asegúrese de entender su contenido antes de utilizar la máquina.

Estas instrucciones son complemento del manual que se adjunta a la máquina. Para más información sobre el manejo, consultar el manual de la máquina.

Husqvarna AB trabaja constantemente para perfeccionar sus productos y se reserva, por lo tanto, el derecho a introducir modificaciones en la construcción y el diseño sin previo aviso.

La exposición prolongada al ruido puede causar daños crónicos en el oído. Por consiguiente, use siempre protectores auriculares homologados.



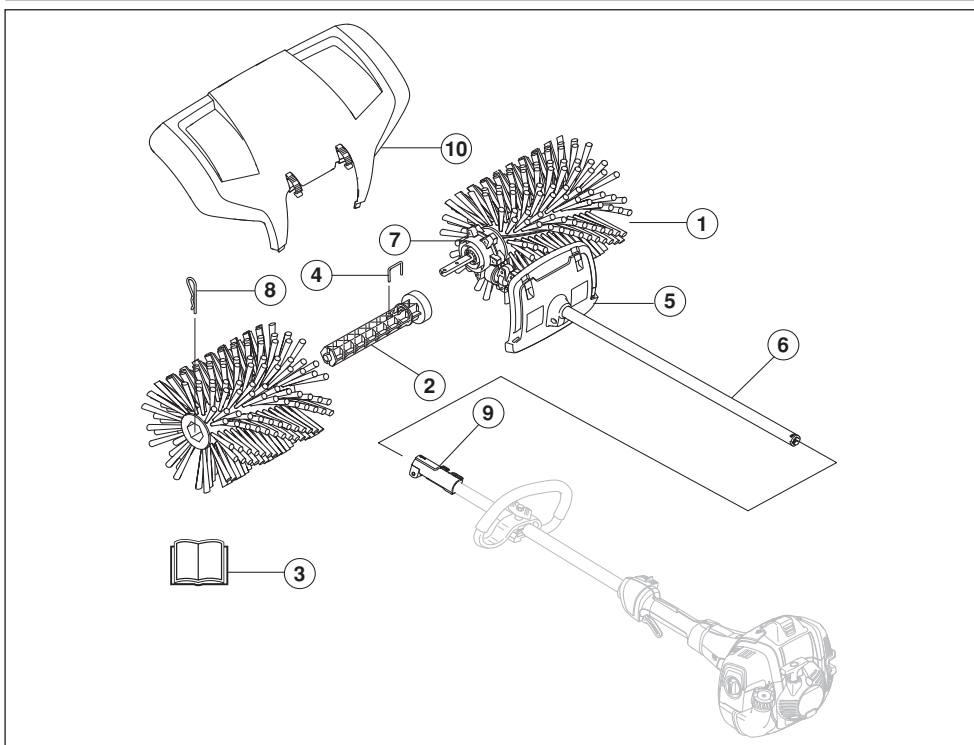
¡ATENCIÓN! Bajo ninguna circunstancia debe modificarse la configuración original de la máquina sin autorización del fabricante. Utilizar siempre recambios originales. Las modificaciones y/o la utilización de accesorios no autorizadas pueden ocasionar accidentes graves o incluso la muerte del operador o de terceros.



¡ATENCIÓN! Este accesorio sólo puede ser utilizado con las desbrozadoras/recortadoras destinadas al mismo, vea "Accesorios aprobados" en el capítulo Datos técnicos del manual de instrucciones de la máquina.

La máquina solo está diseñada para barrer caminos, calles asfaltadas y superficies similares.

¿QUÉ ES QUÉ?



Descripción de los componentes de la barredora

- | | |
|---|---|
| 1 Cepillo de metal | 6 Tubo |
| 2 Eje del cepillo | 7 Caja de engranajes |
| 3 Manual de instrucciones | 8 Pasador de horquilla |
| 4 Pasador de bloqueo | 9 Acoplamiento del tubo (pertenece a la máquina básica) |
| 5 Protección (protección en el mango de la herramienta) | 10 Protección contra salpicaduras |

INSTRUCCIONES DE SEGURIDAD

Equipo de seguridad de la máquina

En este capítulo se describen los componentes de seguridad de la máquina, su función y el modo de efectuar el control y el mantenimiento para garantizar un funcionamiento óptimo. En cuanto a la ubicación de estos componentes en su máquina, vea el capítulo Qué es qué.

La vida útil de la máquina puede acortarse y el riesgo de accidentes puede aumentar si el mantenimiento de la máquina no se hace de forma adecuada y si los trabajos de servicio y/o reparación no se efectúan de forma profesional. Para más información, consulte con el taller de servicio oficial más cercano.



¡ATENCIÓN! Nunca utilice una máquina que tenga un equipo de seguridad defectuoso. Efectúe el control y mantenimiento del equipo de seguridad de la máquina como se describió en este capítulo. Si su máquina no pasa todos los controles, entréguela a un taller de servicio para su reparación.



¡ATENCIÓN! Pare siempre el motor antes de trabajar con ninguna pieza del accesorio. Puede continuar moviéndose incluso después de soltar el acelerador. Asegúrese de que el accesorio ha parado completamente y desconecte los cables de la bujía antes de comenzar a trabajar en él.

Equipo de protección personal



¡ATENCIÓN! Para trabajar con la máquina debe utilizarse un equipo de protección personal homologado. El equipo de protección personal no elimina el riesgo de lesiones, pero reduce su efecto en caso de accidente. Pida a su distribuidor que le asesore en la elección del equipo. Lea detenidamente el manual de instrucciones y asegúrese de entender su contenido antes de utilizar la máquina.



¡ATENCIÓN! Cuando use protección auditiva preste siempre atención a las señales o llamados de advertencia. Sáquese siempre la protección auditiva inmediatamente después de parar el motor.

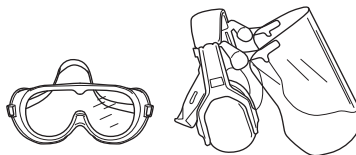
- Se deben utilizar guantes cuando sea necesario.



- Se debe utilizar protección auditiva con suficiente capacidad de reducción sonora.



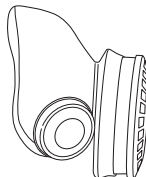
- Se debe utilizar siempre protección ocular homologada. Si se utiliza visor, deben utilizarse también gafas protectoras homologadas. Por gafas protectoras homologadas se entienden las que cumplen con la norma ANSI Z87.1 para EE.UU. o EN 166 para países de la UE. El impacto de ramas y objetos despedidos puede causar heridas en los ojos.



- Utilice botas antideslizantes y seguras.



- Lleve siempre pantalones largos y resistentes, botas, guantes y camiseta de mangas largas. Para evitar las lesiones derivadas de las piezas giratorias, no lleve ropa suelta, pañuelos, joyas, etc. Recójase el pelo para que quede siempre por encima de los hombros.
- Utilizar mascarilla respiratoria si hay riesgo de que se levante polvo.



INSTRUCCIONES DE SEGURIDAD

- Tenga siempre a mano el equipo de primeros auxilios.



Instrucciones generales de seguridad

¡IMPORTANTE!

Utilice la máquina solamente para el uso al que está destinada. La máquina solo está diseñada para barrer caminos, calles asfaltadas y superficies similares.

Nunca utilice la máquina si está cansado, si ha ingerido alcohol o si toma medicamentos que puedan afectarle la vista, su capacidad de discernimiento o el control del cuerpo.

Use el equipo de protección personal recomendado en el manual de la máquina básica. Pida ayuda al distribuidor a la hora de elegir el equipo de protección adecuado.

No utilice nunca una máquina que haya sido modificada de modo que ya no coincida con la configuración original.

Nunca utilice la máquina en condiciones atmosféricas extremas como frío intenso o clima muy caluroso y/o húmedo.

No utilice nunca una máquina defectuosa. Lleve a cabo las comprobaciones de seguridad y siga las instrucciones de mantenimiento y servicio de este manual. Algunas medidas de mantenimiento y servicio deben ser efectuadas por especialistas formados y cualificados. Consulte las instrucciones del apartado Mantenimiento.

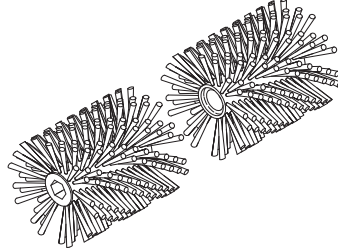
- No permita nunca que los niños utilicen la máquina.
- Durante el trabajo, el usuario de la máquina debe procurar que ninguna persona o animal se acerque a más de 15 metros a la máquina.
- Nunca deje que terceros utilicen la máquina sin asegurarse primero de que hayan entendido el contenido de este manual de instrucciones.

Instrucciones de seguridad antes de la puesta en marcha



- Mantenga alejados a los terceros. Los niños, animales, curiosos y ayudantes deben mantenerse fuera de la zona de seguridad de 15 metros. Pare la máquina inmediatamente si alguien se acerca.

- Controle toda la máquina antes de la puesta en marcha. Cambie las piezas rotas. Compruebe que no haya fugas de combustible y que todas las protecciones y cubiertas estén en buenas condiciones y bien fijadas. Controle todos los tornillos y tuercas.
- Compruebe que los cepillos de metal están intactos y que no presentan grietas ni otros daños.



Arranque en frío:

- Haga funcionar la máquina básica hasta que esté caliente y apáguela.
- Monte el accesorio según las instrucciones de montaje.
- Al ajustar el carburador, asegúrese de que los cepillos de metal se apoyan en el suelo y de que no hay nadie más cerca.
- Asegúrese de que los cepillos de metal no están girando.
- Controle que los mangos y las funciones de seguridad estén en buenas condiciones. No utilice nunca una máquina que carece de una pieza o que ha sido modificada fuera de las especificaciones.
- Utilice la máquina solamente para el uso al que está destinada.

Instrucciones generales de trabajo

¡IMPORTANTE!

Este apartado describe las normas de seguridad básicas para usar la barredora.

Cuando se vea en una situación insegura para continuar el trabajo, debe consultar a un experto. Póngase en contacto con su distribuidor o taller de servicio.

Evite todo uso para el cual no se sienta suficientemente calificado.

INSTRUCCIONES DE SEGURIDAD

Reglas básicas de seguridad

Observe el entorno para:

- Comprobar que no hayan personas, animales, etc., que puedan influir en su control de la máquina.
 - Para asegurarse de que ninguno de los riesgos anteriores afecta a la barredora y de que no salen objetos despedidos.
 - ¡NOTA! No use nunca una máquina si no tiene posibilidad de pedir auxilio si se produce un accidente.
- 1 No trabaje en condiciones atmosféricas desfavorables como niebla, lluvia intensa, tempestad, frío intenso, etc. El trabajo con mal tiempo es fatigoso y puede crear circunstancias peligrosas, como terreno resbaladizo.
 - 2 Compruebe que pueda caminar y mantenerse de pie con seguridad.
 - 3 Para desplazar la máquina debe pararse el motor.
 - 4 No apoye nunca la máquina con el motor en marcha sin tenerla bajo control.

Técnica básica de trabajo

- Cerciórese siempre de tener una posición de trabajo segura y firme.



- Utilice siempre las dos manos para sostener la máquina. Mantenga la máquina al costado de su cuerpo.
- Cerciórese de mantener las manos y los pies alejados de los cepillos mientras el motor está en marcha.
- Al apagar el motor, mantenga las manos y los pies alejados de los cepillos hasta que se detengan por completo.
- Después de cada momento de trabajo reduzca siempre la velocidad del motor a ralentí. Un tiempo demasiado largo a máxima velocidad sin que el motor esté cargado (es decir sin la resistencia que el motor recibe a través del equipo de corte al trabajar con la máquina) puede averiar seriamente el motor.
- Si se producen vibraciones fuertes, pare la máquina. Desconecte el cable de encendido de la bujía.

Controle que la máquina no esté dañada. Repare posibles averías.



¡ATENCIÓN! Cuidado con los objetos que salen despedidos. Protéjase siempre los ojos. Nunca se incline sobre el cepillo de metal. La máquina puede despedir piedras, basura, etc. contra los ojos y causar ceguera o heridas graves. Mantenga alejados a los terceros. Los niños, animales, curiosos y ayudantes deben mantenerse fuera de la zona de seguridad de 15 metros. Pare la máquina inmediatamente si alguien se acerca. El engranaje puede calentarse durante el uso y puede permanecer así durante un rato después. Podría quemarse si lo toca.

- Haga funcionar la máquina a la velocidad máxima (o casi a velocidad máxima) con el cepillo sobre la superficie.

NOTE!

Resulta muy pesado e innecesario levantar o sostener el cepillo por encima de la superficie mientras funciona.

- Al limpiar superficies estrechas, como caminos, se puede usar la máquina de modo que lance los materiales directamente delante del usuario. Sin embargo, si trabaja en superficies más amplias, tendrá que hacerlo en un ángulo que permita que se formen hileras de material a un lado. Las hileras compuestas por materiales ligeros se pueden recoger en una fila o pila para su posterior retirada, mientras que los materiales más duros o voluminosos es posible que deban recogerse hilera por hilera.



INSTRUCCIONES DE SEGURIDAD

Para poder alcanzar las esquinas, desmonte la protección contra salpicaduras, afloje el acoplamiento del accesorio y gire el accesorio media vuelta.



¡ATENCIÓN! En ese caso, tenga en cuenta que la basura saldrá despedida hacia el usuario. Reduzca la velocidad cuando invierta la máquina y recuerde que puede tropezarse con los materiales que salgan despedidos.

- Mantenga un ángulo de trabajo cerrado. Un ángulo de trabajo demasiado abierto podría hacerle perder el control.

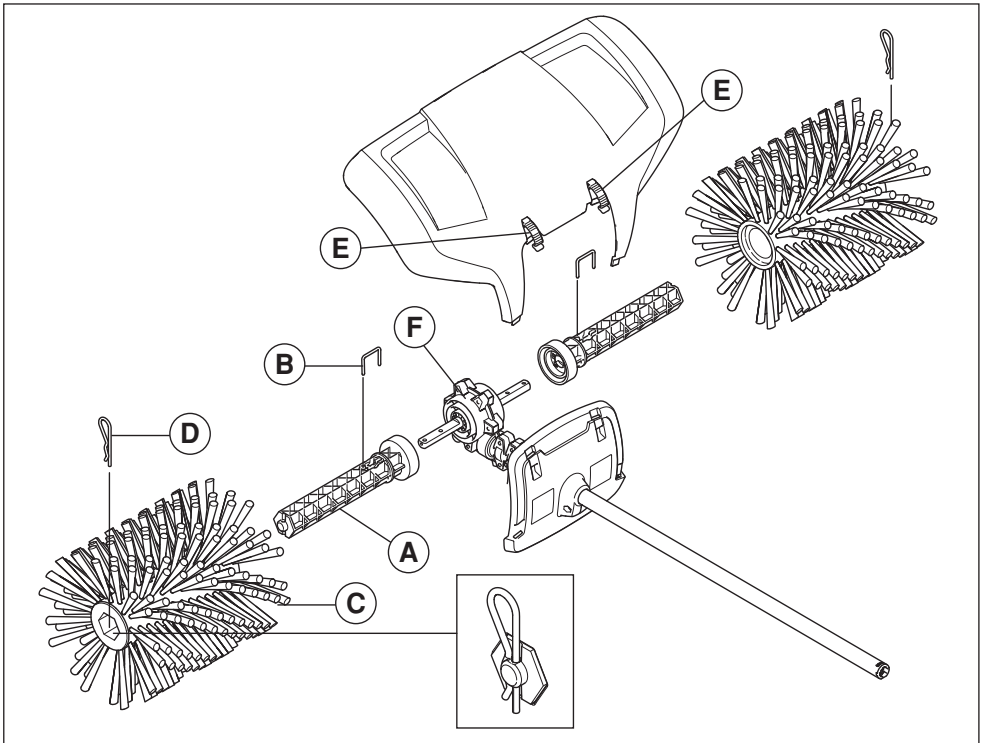


¡ATENCIÓN! Mantenga un ángulo de trabajo cerrado con respecto a la superficie. Un ángulo de trabajo demasiado abierto hace que la barredora tienda a moverse hacia el usuario, por lo que se corre el riesgo de perder el control de la máquina.

Los cepillos de metal pueden girar al arrancar la barredora. Sostenga con firmeza la máquina cuando la arranque. Tenga cuidado con los objetos que puedan atascarse o salir despedidos de los cepillos de metal giratorios.

Aunque los cepillos de metal no tienen tanta fuerza como, por ejemplo, las cuchillas de un cortacésped, evite trabajar con materiales que puedan causar daños personales o en la propiedad si salen despedidos.

MONTAJE



Montaje del accesorio de barredora

- 1 Presione uno de los ejes de los cepillos (A) sobre uno de los dos ejes propulsores de la caja de engranajes (F). Gire el eje del cepillo si es necesario, de manera que el orificio del pasador coincida con el orificio correspondiente del eje propulsor.
- 2 Fije el eje del cepillo con el pasador de bloqueo (B).
- 3 Coloque uno de los cepillos (C) en el eje montado. Presione hacia dentro el cepillo hasta que haga tope.
- 4 Fije el cepillo al eje con una chaveta hendida (D). Presione hacia dentro ligeramente en el extremo durante el montaje.
- 5 Repita estos pasos para montar el eje y el rodillo del lado contrario.
- 6 Monte la protección contra salpicaduras con los cierres automáticos (E).
- 7 Para montar los accesorios en la máquina básica, consulte el manual de la máquina básica.

MANTENIMIENTO

Programa de mantenimiento

A continuación, se indican algunas instrucciones generales de mantenimiento. Si Ud. necesita mayor información póngase en contacto con el taller de servicio.

¡IMPORTANTE!

El trabajo con la barredora suele realizarse en condiciones polvorientas. Es muy importante realizar el mantenimiento del filtro de aire de manera regular, normalmente a diario. Debe lubricar el filtro de aire para que funcione correctamente.

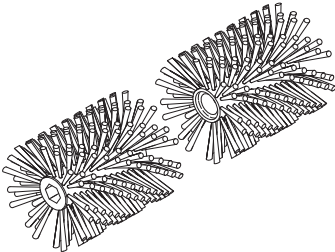
Consulte el manual de usuario del producto para ver las instrucciones de mantenimiento.

Mantenimiento diario



¡ATENCIÓN! Después de trabajar con la máquina, la caja de engranajes está caliente. No toque la caja de engranajes para evitar quemaduras.

- Compruebe que los cepillos de metal no giran cuando la máquina está al ralenti.



- Compruebe que los cepillos de metal no estén dañados ni presenten grietas. Cambie los cepillos de metal si es necesario.
- Cuelgue el cepillo cuando lo almacene por periodos de tiempo prolongados.

Transporte y almacenamiento

- Para transportar la máquina utilice siempre dispositivos de sujeción aprobados y asegúrese de que la máquina esté bien anclada.
- Antes del almacenaje prolongado, limpie bien la máquina y haga el servicio completo.

DATOS TECNICOS

Datos técnicos

Datos técnicos

Barredora **BR600**

Anchura del cepillo, mm 597

Diámetro del cepillo, mm 270

Peso

Peso, kg 5,5

Emisiones de ruido

(ver la nota 1)

Nivel de potencia acústica medido dB(A) 105

Nivel de potencia acústica garantizado L_{WA} dB(A) 109

Niveles acústicos

(vea la nota 2)

Nivel de presión sonora equivalente en la oreja del usuario, medido según EN ISO 22868, dB(A): 96

Vibraciones

(vea la nota 3)

Niveles de vibración equivalentes ($a_{hv,eq}$) en las empuñaduras, medidos según la norma EN ISO 22867, m/s^2 .

Mango delantero/trasero: 3,7/6,2

Nota 1: Medido con los accesorios homologados de Husqvarna. Emisiones sonoras en el entorno medidas como potencia acústica (L_{WA}) según la directiva CE 2000/14/CE. El nivel referido de potencia sonora de la máquina se ha medido con el equipo de corte original que produce el nivel más elevado. La diferencia entre la potencia sonora garantizada y medida es que la potencia sonora garantizada también incluye la dispersión en el resultado de la medición y las variaciones entre diferentes máquinas del mismo modelo, según la Directiva 2000/14/CE.

Nota 2: Medido con los accesorios homologados de Husqvarna. Los datos referidos del nivel de presión sonora equivalente de la máquina tienen una dispersión estadística habitual (desviación típica) de 1 dB (A).

Nota 3: Medido con los accesorios homologados de Husqvarna. Los datos referidos del nivel de vibración equivalente poseen una dispersión estadística habitual (desviación típica) de 1 m/s^2 .

Declaración CE de conformidad (Rige sólo para Europa)

Husqvarna AB, SE-561 82 Huskvarna (Suecia), tel. +46 36 146 500 declara que el accesorio barredora **Husqvarna BR600/Jonsered BR600** cumple con las disposiciones de la DIRECTIVA DEL CONSEJO:

- **2006/42/CE** «relativa a máquinas» del 17 de mayo de 2006.

Se han aplicado las siguientes normas: **SS-EN ISO 12100:2010**

SMP Svensk Maskinprovning AB, Box 7035, SE-750 07 Uppsala, Suecia, ha efectuado un ensayo de tipo voluntario para Husqvarna AB.

Este accesorio sólo puede ser utilizado con las desbrozadoras/recortadoras destinadas al mismo, vea "Accesorios aprobados" en el capítulo Datos técnicos del manual de instrucciones de la máquina. Los certificados tienen el número: **SEC/15/2412** - BR600

Huskvarna, 18 de febrero de 2015



Per Gustafsson, Jefe de Desarrollo (Presentante autorizado de Husqvarna AB y responsable de la documentación técnica.)

EXPLICAÇÃO DOS SÍMBOLOS

Símbolos

ATENÇÃO!

Os acessórios para varrer folhas, se forem usados de forma indevida ou incorrecta, podem ser perigosos, causando ferimentos graves ou mortais no utilizador ou noutras pessoas. É extremamente importante que leia e compreenda o conteúdo deste Manual do utilizador.



Leia as instruções para o uso com toda a atenção e compreenda o seu conteúdo antes de fazer uso da máquina.



Use sempre:

- Capacete de protecção no caso de haver risco de objectos em queda
- Protectores acústicos aprovados
- Protecção ocular aprovada
- Dado o risco de poeira, deve-se usar protecção respiratória.



Este produto está conforme as directivas em validade da CE.



O operador da máquina deve verificar que não se encontre qualquer pessoa ou animal menos de 15 metros, durante o trabalho.



Use sempre luvas de protecção aprovadas.



Use botas estáveis e antidesslizantes.



Mantenha todas as partes do seu corpo afastadas das superfícies quentes.



Aviso: peças rotativas. Mantenha as mãos e os pés afastados.



Aviso para objectos lançados e ricochete.

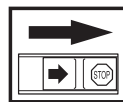


Emissões sonoras para o meio ambiente conforme directiva da Comunidade Europeia. A emissão da máquina é indicada no capítulo Especificações técnicas e no autocolante.

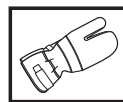


Os restantes símbolos e autocolantes existentes na máquina dizem respeito a exigências específicas para homologação em alguns países.

O motor é desligado deslocando o contacto de paragem para a posição de paragem. **NOTA!** O contacto de paragem retorna automaticamente à posição de arranque. Por isso, para impedir o arranque acidental da máquina, deve-se sempre remover a protecção da vela de ignição durante todos os trabalhos de montagem, inspecção e/ou manutenção.



Use sempre luvas de protecção aprovadas.



Inspeção ocular.



Índice

EXPLICAÇÃO DOS SÍMBOLOS

Símbolos 92

ÍNDICE

Índice 93

Antes de arrancar, observe o seguinte: 93

COMO SE CHAMA?

Partes do acessório para varrer folhas 94

INSTRUÇÕES DE SEGURANÇA

Equipamento de segurança da máquina 95

Equipamento de protecção pessoal 95

Instruções gerais de segurança 96

Instruções gerais de trabalho 96

MONTAGEM

Montagem do acessório para varrer folhas 99

MANUTENÇÃO

Esquema de manutenção 100

ESPECIFICAÇÕES TÉCNICAS

Especificações técnicas 101

Certificado CE de conformidade 101

Antes de arrancar, observe o seguinte:

Leia as instruções para o uso com toda a atenção e compreenda o seu conteúdo antes de fazer uso da máquina.

Este manual de instruções é um complemento ao manual que acompanha a máquina. Para as demais instruções de operação, consultar o manual de instruções da máquina.

Husqvarna AB efectua o desenvolvimento contínuo dos seus produtos, reservando-se o direito de introduzir modificações referentes, entre outros, ao aspecto e forma dos mesmos sem aviso prévio.

A exposição prolongada a ruídos pode provocar danos auditivos permanentes. Por isso, use sempre protectores acústicos aprovados.



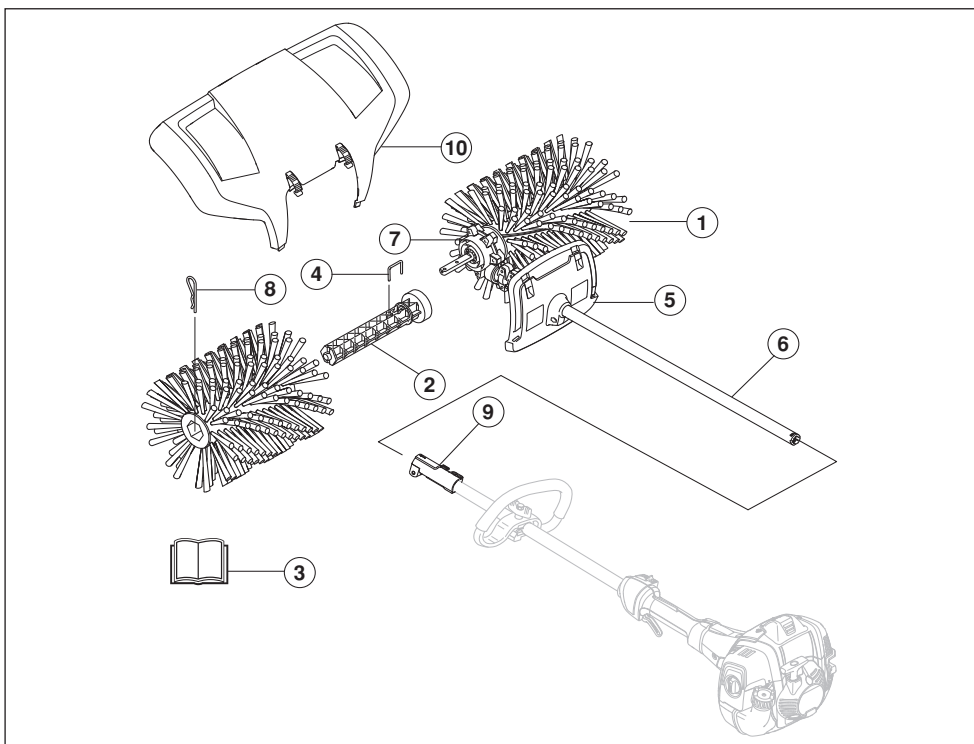
ATENÇÃO! Sob nenhuma circunstância é permitido modificar a configuração original da máquina sem a autorização expressa do fabricante. Devem usar-se sempre acessórios originais. Modificações e/ou acessórios não autorizados podem acarretar em sérias lesões ou perigo de vida para o utilizador ou outros.



ATENÇÃO! Este acessório só pode ser usado em serras de roçadura/recortadores para ele homologados. Veja em "Acessórios recomendados" no capítulo Especificações técnicas do manual de instruções para o uso da máquina.

A máquina foi concebida exclusivamente para varrer caminhos, ruas asfaltadas e similares.

COMO SE CHAMA?



Partes do acessório para varrer folhas

- | | |
|---------------------------------|---|
| 1 Tambor da escova | 6 Tubo |
| 2 Eixo da escova | 7 Caixa de engrenagem |
| 3 Instruções para o uso | 8 Pino ranhurado |
| 4 Pino de bloqueio | 9 Acoplamento do tubo (pertence à versão básica da máquina) |
| 5 Protecção (protecção no eixo) | 10 Protecção contra salpicos |

INSTRUÇÕES DE SEGURANÇA

Equipamento de segurança da máquina

Nesta secção esclarecem-se quais são as peças de segurança da máquina, que função desempenham e ainda como efectuar o controlo e a manutenção para se certificar da sua operacionalidade. Ver capítulo Como se chama?, para localizar onde estas peças se encontram na sua máquina.

A duração da máquina pode ser afectada e o perigo de acidentes pode aumentar se a manutenção da máquina não for correcta e se as revisões e reparações não forem executadas de forma profissional. Se necessitar de mais esclarecimentos, entre em contacto com uma oficina autorizada.



ATENÇÃO! Nunca use uma máquina com equipamento de segurança defeituoso. O equipamento de segurança da máquina deverá ser controlado e a sua manutenção feita conforme se descreve nesta secção. Se a sua máquina não satisfizer a algum desses controlos, deverá ser enviada a uma oficina autorizada para reparação.



ATENÇÃO! Desligue sempre o motor antes de trabalhar em qualquer parte do acessório. Este pode continuar a mover-se, mesmo depois de soltar o acelerador. Certifique-se de que o acessório está completamente parado e desligue os cabos de alta tensão da vela de ignição antes de começar a trabalhar nele.

Equipamento de protecção pessoal



ATENÇÃO! Em quaisquer circunstâncias de utilização da máquina deve ser utilizado equipamento de protecção pessoal aprovado. O equipamento de protecção pessoal não elimina o risco de lesão mas reduz os seus efeitos em caso de acidente. Consulte o seu concessionário na escolha do equipamento. Leia as instruções para o uso com toda a atenção e compreenda o seu conteúdo antes de fazer uso da máquina.



ATENÇÃO! Esteja sempre atento a sinais de alarme ou avisos de viva voz quando usar protectores acústicos. Retire os protectores acústicos logo que o motor tenha parado.

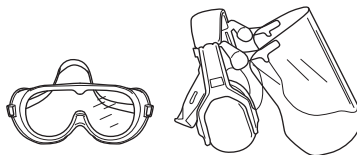
- Deve-se usar luvas quando necessário.



- Devem-se usar protectores acústicos com suficiente insonorização.



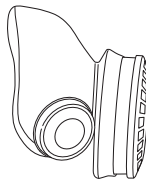
- Deve sempre usar-se protecção ocular aprovada. Mesmo que se use viseira, devem usar-se óculos de protecção aprovados. Consideram-se óculos de protecção aprovados, os que estejam conformes com a norma ANSI Z87.1 nos EUA ou EN 166 nos países da UE. O embate de ramos ou objectos arremessados podem ferir os olhos.



- Use botas estáveis e antidesslizantes.



- Use sempre calças compridas e resistentes, botas, luvas e uma camisola de manga comprida. Para reduzir o risco de ferimentos associados ao facto de os objectos ficarem presos nas peças rotativas, não use roupa larga, lenços, jóias, etc. Prenda o cabelo acima dos ombros.
- Dado o risco de poeira, deve-se usar protecção respiratória.



INSTRUÇÕES DE SEGURANÇA

- Os primeiros socorros devem sempre estar à mão.



Instruções gerais de segurança

IMPORTANTE!

Use a máquina somente para as funções a que a mesma se destina. A máquina foi concebida exclusivamente para varrer caminhos, ruas asfaltadas e similares.

Nunca use a máquina se estiver cansado, se bebeu álcool ou se toma remédios que podem influir na sua visão, discernimento ou controlo sobre o corpo.

Utilize o equipamento de protecção pessoal recomendado no manual da versão básica da máquina. Peça ajuda ao seu concessionário para escolher o equipamento de protecção adequado.

Nunca use uma máquina que foi modificada a ponto de não mais corresponder à construção original.

Nunca utilize a máquina em condições climáticas extremas, tais como frio muito intenso ou tempo muito quente e/ou húmido.

Nunca use uma máquina defeituosa. Efectue as verificações de segurança e cumpra as instruções de manutenção e assistência técnica contidas neste manual. Alguns serviços de manutenção e de assistência técnica deverão ser executados por especialistas qualificados. Consulte as instruções na secção Manutenção.

- Nunca permita que crianças utilizem a máquina.
- O operador da máquina deve verificar que não se encontre qualquer pessoa ou animal menos de 15 metros, durante o trabalho.
- Nunca permita que outra pessoa utilize a máquina sem estar certo de que a mesma entendeu o conteúdo do manual de instruções.

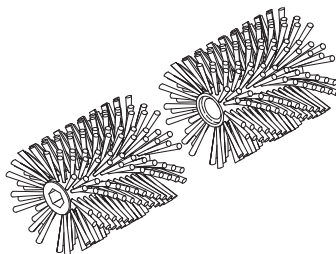
Instruções de segurança antes de arrancar



- Mantenha estranhos ao trabalho afastados. Crianças, animais, espectadores e ajudantes deverão ficar fora da zona de segurança de 15 metros. Pare a máquina imediatamente se alguém se aproximar.
- Verifique toda a máquina antes de arrancar. Substitua peças danificadas. Verifique se não há fugas de combustível e se todas as protecções e coberturas

estão completas e devidamente fixas. Controle todos os parafusos e porcas.

- Verifique se os tambores da escova estão intactos e se não têm fendas ou estão danificados de outra forma.



Ao arrancar a frio:

- Execute o aquecimento da máquina básica e, em seguida, desligue a máquina.
- Monte o acessório, de acordo com as instruções de montagem.
- Durante o ajuste do carburador, certifique-se de que os tambores da escova estão a fixos no solo e de que não existe ninguém na área circundante.
- Certifique-se de que os tambores da escova estão em marcha em vazio.
- Certifique-se de que os punhos e as funções de segurança estão em ordem. Nunca utilize uma máquina em que faltem peças ou tenha sido modificada de forma ficar diferente das especificações.
- Use a máquina somente para as funções a que a mesma se destina.

Instruções gerais de trabalho

IMPORTANTE!

Esta secção descreve as regras básicas de segurança para o trabalho com a escova.

Se você se sentir inseguro sobre o modo de prosseguir com o trabalho, consulte um especialista. Dirija-se ao seu revendedor ou à sua oficina autorizada.

Evite toda a forma de uso para a qual se sinta insuficientemente qualificado.

Regras básicas de segurança

Observe a vizinhança:

- Para assegurar-se de que pessoas, animais ou outro factor não possam interferir no seu controlo sobre a máquina.
- Para garantir que nenhum dos riscos anteriormente mencionados ocorre durante a utilização do acessório para varrer folhas ou evitar que objectos soltos sejam arremessados à distância.

INSTRUÇÕES DE SEGURANÇA

- **NOTA!** Nunca use uma máquina sem que possa pedir ajuda em caso de acidente.
- 1 Evite o uso em condições meteorológicas desfavoráveis. Por exemplo, em denso nevoeiro, chuva e vento fortes, frio intenso, etc. Trabalhar com mau tempo é cansativo e pode ocasionar situações perigosas, por exemplo, solo escorregadio.
- 2 Certifique-se de que pode andar e estar de pé com segurança.
- 3 Desligue o motor antes de se deslocar.
- 4 Nunca pouse a máquina com o motor em funcionamento sem que a tenha bem vigiada.

Técnicas básicas de trabalho

- Certifique-se de que tem uma posição de trabalho segura e estável.



- Use sempre ambas as mãos para segurar a máquina. Mantenha a máquina ao lado do corpo.
- Tenha cuidado para que as mãos e os pés não se aproximem da escova quando o motor está a trabalhar.
- Ao desligar o motor, mantenha as mãos e os pés afastados da escova até que o motor esteja totalmente parado.
- Deixe o motor baixar para a marcha em vazio após cada momento de trabalho. Aceleração total por muito tempo, sem carga para o motor (i. é, sem a resistência que o motor experimenta através do equipamento de corte durante o trabalho com a máquina), pode causar sérios danos ao motor.

- Se ocorrerem fortes vibrações, pare a máquina. Remova o cabo da vela de ignição. Verifique se a máquina não sofreu danos. Repare danos eventuais.



ATENÇÃO! Atenção a objectos arremessados. Use sempre protecção ocular. Nunca dobre o tambor da escova. Pedras, lixo etc., podem ser arremessados contra os olhos e causar cegueira ou ferimentos graves nos olhos. Mantenha estranhos ao trabalho afastados. Crianças, animais, espectadores e ajudantes deverão ficar fora da zona de segurança de 15 metros. Pare a máquina imediatamente se alguém se aproximar. A engrenagem pode ficar quente durante a utilização e manter-se assim durante algum tempo. Pode queimar-se se tocar na engrenagem.

- Accione a máquina em aceleração total (ou quase) com a escova apoiada na superfície.

NOTE!

Torna-se cansativo e desnecessário levantar e manter a escova acima da superfície durante a sua utilização.

- Durante a limpeza de superfícies estreitas tais como caminhos, a máquina pode ser utilizada para arremessar materiais à sua frente. Se pretender trabalhar em superfícies mais largas, poderão formar-se fileiras num dos lados ao trabalhar num determinado ângulo. As fileiras compostas por materiais leves podem ser reunidas numa fila ou pilha para posterior remoção, ao passo que os materiais rígidos ou mais volumosos terão de ser reunidos em várias fileiras.



INSTRUÇÕES DE SEGURANÇA

Para poder limpar os cantos, remova a proteção contra salpicos, desaperte o acoplamento do acessório e rode o acessório meia volta.



ATENÇÃO! Desta forma, o lixo será projectado contra o condutor. Realize a marcha-atrás com a máquina a uma velocidade de rotação inferior e lembre-se de que pode tropeçar facilmente nos materiais arremessados.

- Mantenha um ângulo de trabalho reduzido. Um ângulo de trabalho demasiado grande pode implicar a perda de controlo.

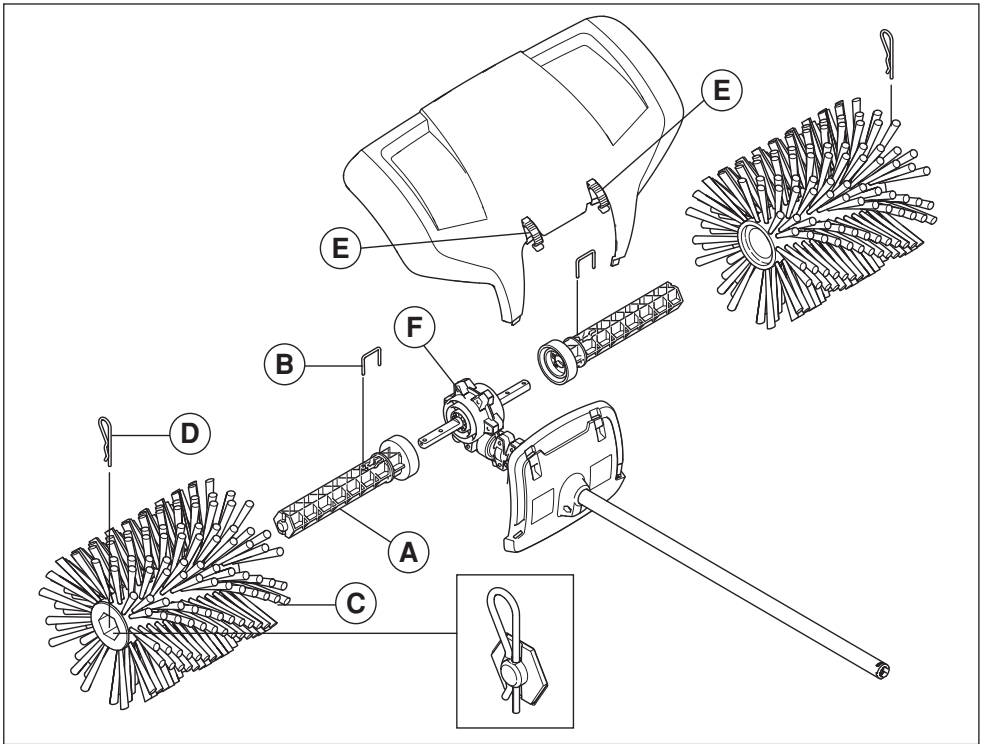


ATENÇÃO! Mantenha um ângulo de trabalho reduzido relativamente à superfície. Um ângulo de trabalho demasiado grande indica que o acessório para varrer folhas se encaminha tendencialmente na sua direcção e arrisca-se a perder o controlo da máquina.

É possível rodar os tambores da escova quando liga o acessório para varrer folhas. Segure bem na máquina durante o arranque. Tenha em atenção os objectos que possam prender-se ou ser arremessados pelos tambores rotativos da escova.

Apesar de os tambores da escova não terem a mesma força que as lâminas do cortador de relva deve evitar, por exemplo, trabalhar com materiais que possam provocar ferimentos pessoais ou danos de propriedade caso estes sejam arremessados.

MONTAGEM



Montagem do acessório para varrer folhas

- 1 Pressione um dos eixos do tambor (A) num dos dois eixos motrizes de saída da caixa de engrenagem (F). Se necessário, rode o eixo do tambor para que o orifício do pino fique alinhado com o orifício correspondente no eixo motriz.
- 2 Aperte o eixo do rolo com um pino de bloqueio (B).
- 3 Coloque um dos rolos da escova (C) no eixo montado.
- 4 Prenda o rolo ao eixo com um pino ranhurado (D). Pressione ligeiramente a extremidade durante a montagem.
- 5 Repita estes passos para montar o eixo e o rolo no lado oposto.
- 6 Monte o resguardo com os fixadores (E).
- 7 Para montar acessórios numa máquina básica, consulte o manual da máquina.

Esquema de manutenção

Seguem abaixo algumas instruções gerais de manutenção. Se necessitar de maiores informações, consulte uma oficina autorizada.

IMPORTANTE!

Os trabalhos com o acessório para varrer folhas são frequentemente realizados em condições poeirentas. É extremamente importante realizar regularmente a manutenção do filtro de ar, em muitos casos diariamente. É necessário lubrificar o filtro de ar para obter um funcionamento satisfatório do mesmo.

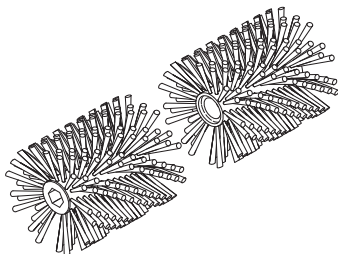
Para obter as instruções de manutenção, consulte o manual do utilizador do produto.

Controle diário



ATENÇÃO! A caixa de engrenagem aquece durante a utilização da máquina. Não toque na caixa de engrenagem para evitar queimaduras.

- Verifique se os tambores da escova não rodam na marcha em vazio.



- Verifique os tambores da escova quanto a danos e fendas. Se necessário, substitua os tambores da escova.
- Pendure a escova se a deixar guardada durante longos períodos de tempo.

Transporte e armazenagem

- Caso se decida por transporte, utilizar sempre mecanismos de fixação devidamente homologadas e verificar se a máquina está bem fixa.
- Certifique-se de que a máquina foi cuidadosamente limpa e submetida a uma revisão completa antes de ser armazenada por tempo prolongado.

ESPECIFICAÇÕES TÉCNICAS

Especificações técnicas

Especificações técnicas

Acessório para varrer folhas **BR600**

Largura do tambor da escova, mm	597
Diâmetro do tambor da escova, mm	270

Peso

Peso, kg	5,5
----------	-----

Emissões de ruído

(ver nota 1)

Nível de potência sonora, medido em dB(A)	105
Nível de potência sonora, L_{WA} garantido dB(A)	109

Níveis acústicos

(ver nota 2)

Nível de pressão sonora equivalente, junto do ouvido do utente, medido conforme EN ISO 22868, dB(A): 96

Vibrações

(ver nota 3)

Níveis de vibração equivalente ($a_{hv,eq}$) nos punhos, medidos de acordo com a norma EN ISO 22867, m/s^2

Punho dianteiro/traseiro: 3,7/6,2

Nota 1: Medidos em conjunto com os acessórios aprovados da Husqvarna. Emissões sonoras para as imediações, medidas sob forma de potência sonora (L_{WA}) conforme a directiva da CE 2000/14/CE. O nível de potência sonora registado para a máquina foi medido com o equipamento de corte original que debita o nível mais alto. A diferença entre a potência sonora garantida e medida é que a potência sonora garantida inclui também a dispersão no resultado da medição e as variações entre diferentes máquinas do mesmo modelo, de acordo com a Directiva 2000/14/CE.

Nota 2: Medidos em conjunto com os acessórios aprovados da Husqvarna. Os dados registados para o nível de pressão de ruído equivalente para a máquina tem uma dispersão estatística típica (desvio padrão) de 1 dB (A).

Nota 3: Medidos em conjunto com os acessórios aprovados da Husqvarna. Os dados registados para o nível de vibração equivalente têm uma dispersão estatística típica (desvio padrão) de 1 m/s^2

Certificado CE de conformidade (Válido unicamente na Europa)

Husqvarna AB, SE-561 82 Huskvarna, Suécia, tel. +46-36-146500 declara que o acessório para varrer folhas **Husqvarna BR600/Jonsered BR600** cumpre as disposições constantes na DIRECTIVA DO CONSELHO:

- de 17 de Maio de 2006 "referente a máquinas" **2006/42/CE**.

Foram respeitadas as normas seguintes: **SS-EN ISO 12100:2010**

O controle de tipo, facultativo, foi efectuado por SMP Svensk Maskinprovning AB, Box 7035, SE-750 07 Uppsala, Suécia por incumbência de Husqvarna AB.

Este acessório só pode ser usado em serras de roçadura/recortadores para ele homologados. Veja em "Acessórios recomendados" no capítulo Especificações técnicas do manual de instruções para o uso da máquina. Os certificados têm os números: **SEC/15/2412** - BR600

Huskvarna, 18 de Fevereiro de 2015



Per Gustafsson, Chefe de Desenvolvimento (Representante autorizado da Husqvarna AB e responsável pela documentação técnica.)

SIMBOLOGIA

Simboli

AVVERTENZA!

Se utilizzata in modo improprio o negligente, la spazzatrice può essere un attrezzo pericoloso in grado di provocare gravi lesioni, persino mortali, all'operatore o altre persone. È estremamente importante leggere e comprendere il contenuto di questo manuale dell'operatore.



Prima di usare la macchina, leggere per intero le istruzioni per l'uso e accertarsi di averne compreso il contenuto.



Usare sempre:

- Casco di protezione laddove sussiste il rischio di caduta di oggetti
- Protezioni acustiche omologate
- Protezione per gli occhi omologata
- Usare la mascherina nel caso in cui esista il rischio di polvere.



Il presente prodotto è conforme alle vigenti direttive CEE.



Durante il lavoro l'utilizzatore della macchina deve accertarsi che non ci siano persone o animali in un raggio di 15 metri.



Utilizzare sempre guanti protettivi omologati.



Usare stivali robusti e antidrucciolo.



Tenere le parti del corpo lontano dalle superfici roventi.



Attenzione: parti rotanti. Tenere lontani mani e piedi.



Pericolo di proiezione di oggetti e particelle.

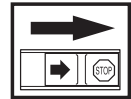


Emissioni di rumore nell'ambiente in base alla direttiva della Comunità Europea. L'emissione della macchina è indicata al capitolo Dati tecnici e sulla decalcomania.



I restanti simboli/decalcomanie riguardano particolari requisiti necessari per ottenere la certificazione in alcuni mercati.

Il motore si ferma portando il contatto di arresto in posizione di arresto. N.B! Il contatto di arresto torna automaticamente in posizione di avviamento. Prevenire l'avviamento involontario staccando sempre il cappuccio dalla candela prima di effettuare operazioni di montaggio, controllo e/o manutenzione.



Utilizzare sempre guanti protettivi omologati.



Controllo visivo.



Indice

SIMBOLOGIA

Simboli 102

INDICE

Indice 103

Prima dell'avviamento osservare quanto segue: .. 103

CHE COSA C'È?

Identificazione delle parti della spazzatrice 104

NORME DI SICUREZZA

Dispositivi di sicurezza della macchina 105

Abbigliamento protettivo 105

Norme generali di sicurezza 106

Istruzioni generali di lavoro 106

MONTAGGIO

Montaggio dell'accessorio della spazzatrice 109

MANUTENZIONE

Schema di manutenzione 110

CARATTERISTICHE TECNICHE

Caratteristiche tecniche 111

Dichiarazione di conformità CE 111

Prima dell'avviamento osservare quanto segue:

Prima di usare la macchina, leggere per intero le istruzioni per l'uso e accertarsi di averne compreso il contenuto.

Il presente libretto integra le istruzioni per l'uso allegate alla macchina. Per le altre funzioni, vedere il libretto di istruzioni per l'uso della macchina.

La Husqvarna AB procede costantemente allo sviluppo dei propri prodotti e si riserva quindi il diritto di apportare, senza alcun preavviso, modifiche riguardanti fra l'altro la forma e l'aspetto esteriore.

Una lunga esposizione al rumore può comportare lesioni permanenti all'udito. Usare quindi sempre cuffie di protezione omologate.



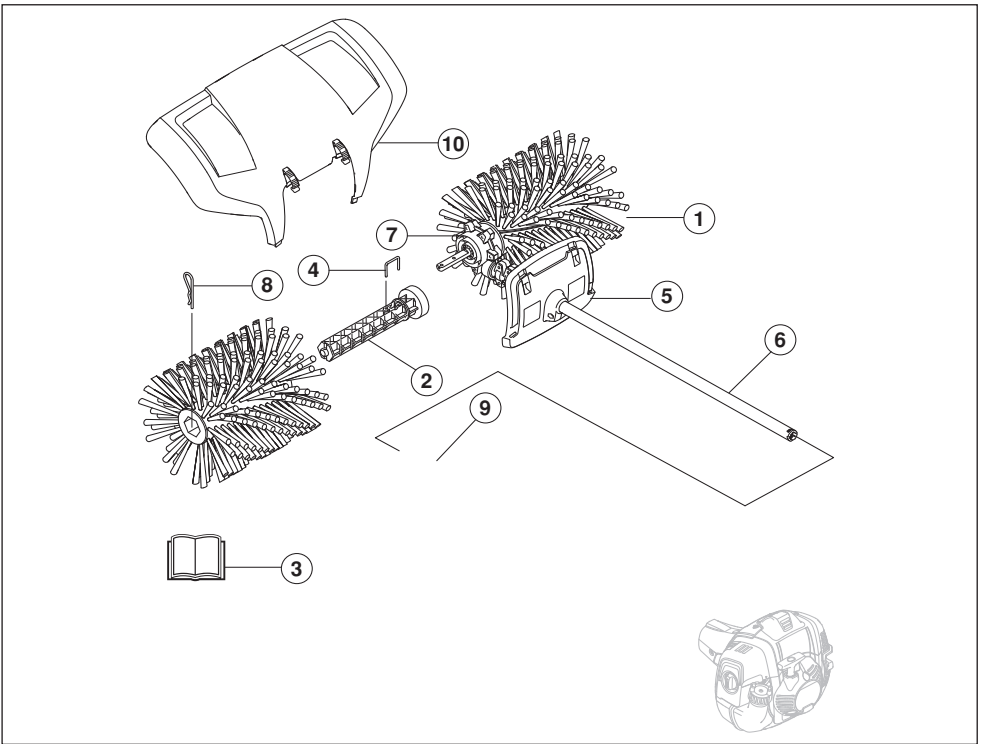
AVVERTENZA! Evitare assolutamente di modificare la versione originale della macchina senza l'autorizzazione del fabbricante. Usare sempre accessori originali. Modifiche e/o accessori non autorizzati possono causare lesioni gravi o mortali all'operatore o a terzi.



AVVERTENZA! Questo accessorio può essere usato solo con alcuni tipi di decespugliatori/bordatori appositamente studiati (vedere alla voce "Accessori omologati", al capitolo Dati Tecnici, nel manuale delle istruzioni della macchina).

La macchina è concepita esclusivamente per spazzare sentieri, strade asfaltate e simili.

CHE COSA C'È?



Identificazione delle parti della spazzatrice

NORME DI SICUREZZA

Dispositivi di sicurezza della macchina

In questo capitolo vengono presentati i dispositivi di sicurezza della macchina, la loro funzione, il controllo e la manutenzione necessari per assicurarne una funzione ottimale. Vedi al capitolo Che cosa c'è?, per individuare la posizione di questi componenti sulla macchina.

La durata della macchina può ridursi e il rischio di incidenti aumentare se la manutenzione non viene eseguita correttamente e se l'assistenza e/o le riparazioni non vengono effettuate da personale qualificato. Per ulteriori informazioni rivolgersi alla più vicina officina di assistenza.



AVVERTENZA! Non usare mai una macchina con dispositivi di sicurezza guasti. Questi dispositivi vanno controllati e sottoposti a manutenzione secondo quanto descritto in questo capitolo. Se la macchina non supera tutti i controlli, contattare un'officina per le necessarie riparazioni.



AVVERTENZA! Arrestare sempre il motore prima di operare su qualsiasi parte dell'accessorio. Può continuare a muoversi anche quando l'acceleratore viene rilasciato. Verificare che l'accessorio sia completamente fermo e scollegare i cavi ad alta tensione dalla candela prima di iniziare a lavorare su di essa.

Abbigliamento protettivo



AVVERTENZA! Lavorando con la macchina usare sempre abbigliamento protettivo omologato. L'uso di abbigliamento protettivo non elimina i rischi di lesioni, ma riduce gli effetti del danno in caso di incidente. Consigliatevi con il vostro rivenditore di fiducia per la scelta dell'attrezzatura adeguata. Prima di usare la macchina, leggere per intero le istruzioni per l'uso e accertarsi di averne compreso il contenuto.



AVVERTENZA! Far sempre attenzione a segnali di allarme o chiamate quando usate le cuffie protettive. Togliere sempre le cuffie protettive immediatamente all'arresto del motore.

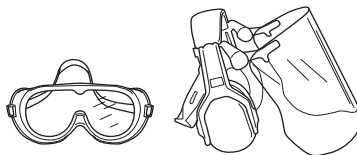
- Usare i guanti quando è necessario.



- Usare cuffie protettive con effetto insonorizzante adeguato.



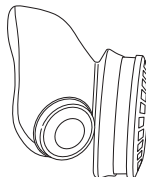
- Usare sempre protezione per gli occhi omologata. Con l'uso della visiera è necessario anche l'uso di occhiali protettivi omologati. Con il termine occhiali protettivi omologati si intendono occhiali che siano conformi alle norme ANSI Z87.1 per gli USA o EN 166 per i paesi EU. I rami o altri oggetti scagliati possono danneggiare gli occhi.



- Usare stivali robusti e antisdrucchiolo.



- Indossare sempre pantaloni lunghi e pesanti, stivali, guanti e una maglia a maniche lunghe. Per ridurre il rischio di lesioni dovute ad oggetti scagliati dalle parti rotanti, raccogliere i capelli sopra le spalle e non indossare indumenti slacciati, sciarpe, collane, ecc.
- Usare la mascherina nel caso in cui esista il rischio di polvere.



NORME DI SICUREZZA

- Tenere sempre a portata di mano la cassetta di pronto soccorso.



Norme generali di sicurezza

IMPORTANTE!

Non utilizzare la macchina per scopi diversi da quelli previsti. La macchina è concepita esclusivamente per spazzare sentieri, strade asfaltate e simili.

Non usare la macchina in condizioni di stanchezza o sotto l'effetto di alcool o medicinali in grado di compromettere il vostro stato psichico e il controllo dei vostri atti.

Utilizzare l'abbigliamento protettivo personale raccomandato nel manuale della macchina base. Rivolgersi al proprio rivenditore di fiducia per la scelta dell'abbigliamento protettivo adeguato.

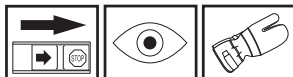
Non usare mai una macchina che abbia subito modifiche tali da non corrispondere più alle specifiche originali.

Non usare mai la macchina in condizioni climatiche estreme come temperature molto basse o clima estremamente caldo e/o umido.

Non usare mai una macchina difettosa. Effettuare i controlli di sicurezza e attenersi alle istruzioni di manutenzione e riparazione riportate nel presente manuale. Alcuni interventi devono essere eseguiti da personale specializzato. Vedere le istruzioni alla sezione Manutenzione.

- Non permettere che la macchina sia utilizzata da bambini.
- Durante il lavoro l'utilizzatore della macchina deve accertarsi che non ci siano persone o animali in un raggio di 15 metri.
- Non consentire mai ad altri l'utilizzo della macchina senza accertarsi che abbiano capito il contenuto del manuale di istruzioni.

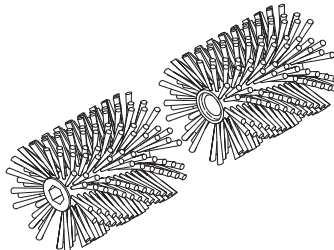
Norme di sicurezza prima dell'avviamento



- Mantenere sempre distanti i non addetti ai lavori. Bambini, animali, assistenti e anche eventuali spettatori devono sempre essere tenuti ad una distanza di sicurezza di 15 metri. Arrestare

immediatamente la macchina nel caso qualcuno si avvicini.

- Controllare tutta la macchina prima dell'avviamento. Sostituire le parti danneggiate. Controllare che non vi siano perdite di carburante ed accertarsi che tutte le protezioni e i coperchi siano integri e fissati correttamente. Controllare viti e dadi.
- Controllare che i tamburi della spazzola siano integri e non presentino crepe o altri danni.



Con motore freddo:

- Far riscaldare la macchina base, quindi spegnerla.
- Montare l'accessorio attenendosi alle istruzioni di montaggio.
- Durante la regolazione del carburatore, assicurarsi che i tamburi della spazzola siano tenuti a terra e che nessuno si trovi nelle vicinanze.
- Assicurarsi che i tamburi della spazzola siano al minimo.
- Controllare che impugnature e dispositivi di sicurezza funzionino a dovere. Non usare mai una macchina che manchi di qualche componente o modificata rispetto alle specifiche.
- Non utilizzare la macchina per scopi diversi da quelli previsti.

Istruzioni generali di lavoro

IMPORTANTE!

Questa sezione elenca le norme basilari di sicurezza per l'utilizzo della spazzola.

Trovandosi in una situazione di insicurezza riguardo all'uso della macchina rivolgersi ad un esperto. Contattare il proprio rivenditore o l'officina di servizio.

Evitare qualsiasi lavoro per il quale non ci si sente sufficientemente qualificati.

NORME DI SICUREZZA

Norme basilari di sicurezza

Osservare l'ambiente circostante:

- Per escludere la presenza di persone, animali o altro che possa interferire sul vostro controllo della macchina.
 - Accertarsi che nessuno dei rischi di cui sopra si verifichi a contatto con la spazzatrice o con oggetti da essa espulsi.
 - N.B! Non usare mai la macchina se non siete certi di poter chiedere aiuto in caso d'infortunio.
- 1 Evitare di lavorare in condizioni di tempo sfavorevoli. Ad esempio nebbia, pioggia intensa, vento forte ecc. Il lavorare con tempo cattivo è spesso stancante e comporta situazioni di rischio, come ad esempio il terreno scivoloso.
 - 2 Accertarsi di poter camminare e lavorare in posizione sicura.
 - 3 Durante gli spostamenti spegnere il motore.
 - 4 Non poggiare mai la macchina a motore acceso se non la si può tenere bene d'occhio.

Tecnica fondamentale di lavoro

- Lavorare sempre in posizione sicura e stabile.



- Tenere sempre la macchina con entrambe le mani. Tenere la macchina lateralmente rispetto al corpo.
- Accertarsi che mani e piedi non tocchino la spazzola, a motore acceso.
- Una volta spento il motore, tenere mani e piedi lontani dalla spazzola fino al suo completo arresto.
- Dopo ciascuna fase di lavoro decelerare il motore fino al regime minimo. Un esercizio prolungato a pieno regime senza carico (cioè senza la resistenza avvertita dal motore attraverso il gruppo di taglio durante il lavoro con la macchina) può causare gravi danni al motore.
- Se insorgono forti vibrazioni, fermare la macchina. Staccare il cavo di accensione dalla candela. Accertarsi dell'integrità della macchina. Riparare eventuali danni.



AVVERTENZA! Attenzione agli oggetti espulsi. Indossare sempre una protezione per gli occhi. Non inchinarsi mai sopra al tamburo della spazzola. C'è la possibilità di essere colpiti agli occhi da pietre, spazzatura o altri oggetti, con conseguenti lesioni gravi o persino la cecità. Mantenere sempre distanti i non addetti ai lavori. Bambini, animali, assistenti e anche eventuali spettatori devono sempre essere tenuti ad una distanza di sicurezza di 15 metri. Arrestare immediatamente la macchina nel caso qualcuno si avvicini. L'ingranaggio può riscaldarsi molto durante l'uso e può restare caldo per qualche minuto dopo lo spegnimento della macchina. Qualsiasi contatto può implicare il rischio di ustioni.

- Far funzionare la macchina a pieno gas (o quasi) con la spazzola appoggiata alla superficie.

NOTE!

È faticoso e inutile sollevare o tenere la spazzola sopra la superficie durante il lavoro.

- Durante la pulizia di superfici strette, quali vialetti, la macchina può essere utilizzata in modo che getti i materiali davanti all'utilizzatore. Se si desidera lavorare su superfici più ampie, si potrebbe avere la necessità di lavorare ad angolo, in modo che i residui si accumulino lateralmente. I residui, compresi i materiali leggeri, possono essere raccolti in una fila o in un mucchio per la successiva rimozione mentre è probabile che materiali più voluminosi o duri debbano essere raccolti in diversi mucchi.



NORME DI SICUREZZA

Per accedere agli angoli, rimuovere il paraspruzzi e allentare l'attacco dell'accessorio e ruotare quest'ultimo di mezzo giro.



AVVERTENZA! I rifiuti verranno quindi gettati all'indietro verso l'utente. Utilizzare una velocità inferiore quando si sposta la macchina all'indietro e ricordare che è facile inciampare sui materiali espulsi dalla stessa.

- Mantenere un angolo di lavoro ridotto. Un angolo di lavoro troppo grande può implicare la perdita di controllo.

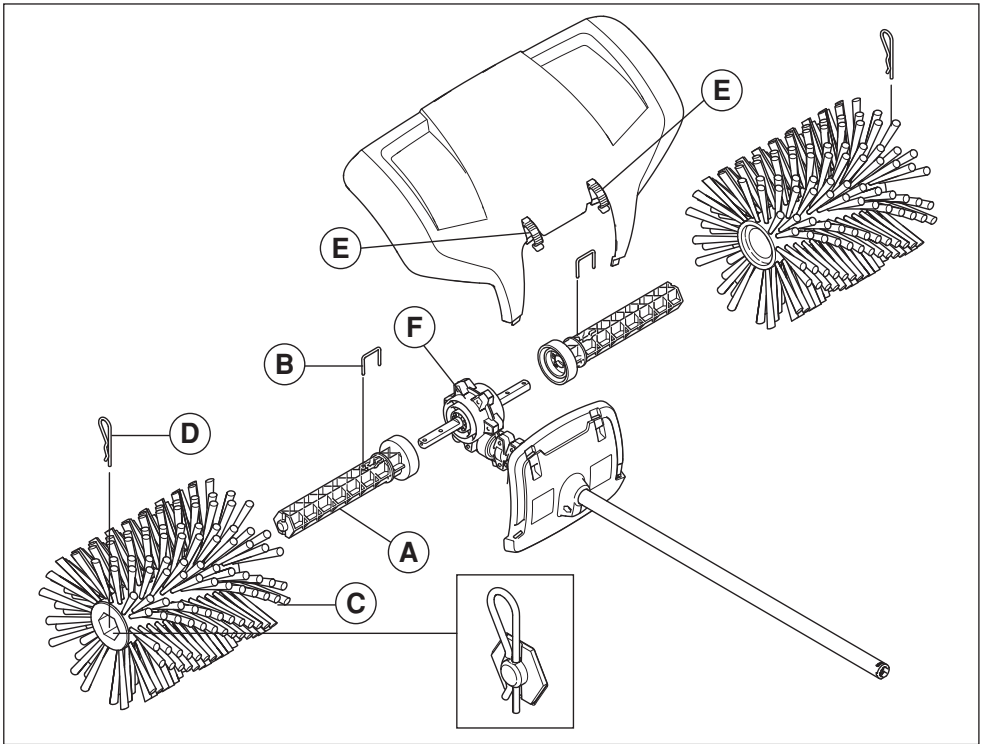


AVVERTENZA! Mantenere un angolo di lavoro ridotto rispetto alla superficie. Un angolo di lavoro troppo grande significa che la spazzatrice tende a spostarsi verso l'utente e si rischia di perdere il controllo della macchina.

I tamburi della spazzola possono ruotare quando si avvia la spazzatrice. Tenere ferma la macchina saldamente durante l'avviamento. Prestare attenzione agli oggetti che si possono bloccare all'interno dei tamburi rotanti della spazzola o che possono essere espulsi dagli stessi.

Sebbene i tamburi della spazzola non abbiano la stessa forza delle lame del rasaerba, si dovrebbe evitare di lavorare con materiali che possono causare lesioni personali o danni durante l'espulsione.

MONTAGGIO



Montaggio dell'accessorio della spazzatrice

- 1 Premere uno dei due assi del tamburo (A) su uno dei due alberi di trasmissione in uscita dalla scatola degli ingranaggi (F). Ruotare l'asse del tamburo, se necessario, in modo che il foro del perno sia posizionato sul foro corrispondente dell'albero di trasmissione.
- 2 Fissare l'asta del rullo con la spina di bloccaggio (B).
- 3 Posizionare uno dei rulli della spazzola (C) sull'albero assemblato. Premere verso l'interno il rullo finché non si arresta.
- 4 Fissare il rullo sull'albero con una coppiglia (D). Premere leggermente l'estremità durante il montaggio.
- 5 Ripetere questi passaggi per montare l'asse e il rullo sul lato opposto.
- 6 Montare il paraspruzzi con i bottoni a pressione (E).
- 7 Per il montaggio degli accessori sulla macchina base, fare riferimento al relativo manuale.

Schema di manutenzione

Seguono alcuni consigli di manutenzione. Se avete bisogno di ulteriori informazioni contattate il servizio di assistenza.

IMPORTANTE!

La spazzatrice viene spesso utilizzata in ambienti polverosi. È estremamente importante effettuare la manutenzione periodica, anche giornaliera, del filtro dell'aria. Il filtro dell'aria deve essere lubrificato per funzionare in modo corretto.

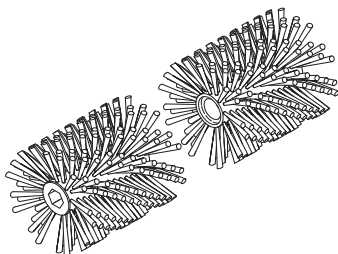
Per le istruzioni di manutenzione, consultare il manuale dell'operatore del prodotto.

Manutenzione giornaliera



AVVERTENZA! Lavorando con la macchina, la scatola ingranaggi si riscalda. Per evitare ustioni non toccare la scatola ingranaggi.

- Controllare che i tamburi della spazzola non ruotino al minimo.



- Controllare che i tamburi della spazzola non presentino danni o incrinature. Sostituire i tamburi della spazzola se necessario.
- Appendere la spazzola quando non la si utilizza per lunghi periodi.

Trasporto e rimessaggio

- In caso di trasporto su un altro mezzo accertarsi che la macchina sia fissata adeguatamente con dispositivi omologati.
- Accertarsi che la macchina sia ben pulita e che sia stata sottoposta a tutte le operazioni di assistenza prima di ogni rimessaggio a lungo termine.

CARATTERISTICHE TECNICHE

Caratteristiche tecniche

Caratteristiche tecniche

Spazzatrice

BR600

Larghezza del tamburo della spazzola, mm

597

Diametro del tamburo della spazzola, mm

270

Peso

Peso, kg

5,5

Emissioni di rumore

(vedere annot. 1)

Livello potenza acustica, misurato dB(A)

105

Livello potenza acustica, garantito L_{WA} dB(A)

109

Livelli di rumorosità

(vedi nota 2)

Livello di pressione acustica equivalente rispetto all'udito dell'operatore, misurato in base alle norme EN ISO 22868, dB(A):

96

Vibrazioni

(vedi nota 3)

Livelli di vibrazione equivalenti ($a_{hv,eq}$) all'impugnatura, misurati in base alle norme EN ISO 22867, in m/s^2

Impugnatura anteriore/posteriore:

3,7/6,2

Nota 1: Misurazione effettuata con accessori omologati Husqvarna. Emissione di rumore nell'ambiente misurato come potenza acustica (L_{WA}) in base alla direttiva CE 2000/14/CE. Il livello di potenza acustica riportato per la macchina è stato misurato con il gruppo di taglio originale che emette il livello massimo. La differenza tra potenza acustica misurata e garantita è che la potenza acustica garantita comprende anche la dispersione nel risultato di misurazione e le variazioni tra le diverse macchine dello stesso modello come da Direttiva 2000/14/CE.

Nota 2: Misurazione effettuata con accessori omologati Husqvarna. I dati riportati per il livello di pressione acustica equivalente della macchina hanno una dispersione statistica tipica (deviazione standard) di 1 dB (A).

Nota 3: Misurazione effettuata con accessori omologati Husqvarna. I dati riportati per il livello di vibrazione equivalente hanno una dispersione statistica tipica (deviazione standard) di 1 m/s^2 .

Dichiarazione di conformità CE (Solo per l'Europa)

Husqvarna AB, SE-561 82 Huskvarna, Svezia, tel. +46-36-146500 dichiara che l'accessorio Spazzatrice **Husqvarna BR600/Jonsered BR600** è conforme alle disposizioni della DIRETTIVA DEL CONSIGLIO:

- del 17 maggio 2006 "sulle macchine" **2006/42/CE**.

Sono state applicate le seguenti norme: **SS-EN ISO 12100:2010**

L'SMP, Svensk Maskinprovning AB, Box 7035, SE-750 07 Uppsala, Svezia, ha eseguito il controllo-tipo facoltativo per conto della Husqvarna AB.

Questo accessorio può essere usato solo con alcuni tipi di decespugliatori/bordatori appositamente studiati (vedere alla voce "Accessori omologati", al capitolo Dati Tecnici, nel manuale delle istruzioni della macchina). I certificati portano il numero: **SEC/15/2412** - BR600

Huskvarna 18 febbraio 2015



Per Gustafsson, Responsabile ricerca e sviluppo (Rappresentante autorizzato per Husqvarna AB e responsabile della documentazione tecnica.)

SÜMBOLITE TÄHENDUS

Sümbolid

ETTEVAATUST!

Pühkija vale või hooletu kasutamine võib olla ohtlik ning põhjustada kasutajale või teistele tõsiseid või surmaga lõppevaid vigastusi. Äärmiselt oluline on käesolev kasutusjuhend läbi lugeda ja selle sisust aru saada.



Loe käsitsemisõpetus põhjalikult läbi, et kõik eeskirjad oleksid täiesti arusaadavad, enne kui seadet kasutama hakkad.



Kasuta alati:

- Kaitsekiivrit, kohtades, kus on langevate esemete oht.
- Heakskiidetud kõrvaklappe
- Heakskiidetud silmakaitseid
- Tolmu tekke riski korral tuleb kasutada hingamiskaitset.



Seade vastab EL kehtivatele direktiividele.



Seadme juht on kohustatud jälgima, et inimesed ja loomad ei tuleks töö ajal lähemale kui 15 m.



Kasuta alati heakskiidetud kaitsekindaid.



Kasuta libisemiskindlaid ning tugevaid säärkuid.



Hoidke kõik kehaosad kuumadest pindadest eemal.



Hoiatus: pöörlevad osad. Hoidke käed ja jalad eemal.



Väljaviskuvate ning tagasipõrkavate asjade oht.

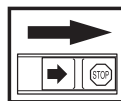


Ümbristvasse keskkonda leviv müra vastavalt Euroopa Ühenduse direktiivile. Andmed seadme emissiooni kohta on toodud peatükis Tehnilised andmed ja etiketil.



Ülejäänud seadmel toodud sümbolid/tähised vastavad erinevates riikides kehtivatele sertifitseerimisnõuetele.

Mootori välja lülitamiseks tuleb seiskamislülitit viia asendisse "STOPP". TÄHELEPANU! Seiskamislülitit läheb ise lähteasendisse. Et vältida seadme tahtmatut käivitamist, tuleb monteerimistöde, remondi ja hoolduse ajaks võtta süüteküünlaist süütepea.



Kasuta alati heakskiidetud kaitsekindaid.



Visuaalne kontroll.



Sisukord

SÜMBOLITE TÄHENDUS

Sümbolid 112

SISUKORD

Sisukord 113

Enne käivitamist tuleb meeles pidada järgmist: 113

MIS ON MIS?

Mis on mis pühkija küljes? 114

OHUTUSEESKIRJAD

Seadme ohutusvarustus 115

Isiklik ohutusvarustus 115

Üldised ohutuseeskirjad 116

Üldised tööeeskirjad 116

KOOSTAMINE

Pühkija lisaseadme paigaldamine 119

HOOLDUS

Hooldusskeem 120

TEHNILISED ANDMED

Tehnilised andmed 121

EÜ kinnitus vastavusest 121

Enne käivitamist tuleb meeles pidada järgmist:

Loe käsitsemisõpetus põhjalikult läbi, et kõik eeskirjad oleksid täiesti arusaadavad, enne kui seadet kasutama hakkad.

See kasutamisjuhend on lisa seadme ostmisel kaasa antud kasutamisõpetusele. Selles osas, mida käesolev kasutusjuhend ei hõlma, tuleb vaadata seadme kasutamisõpetust.

Husqvarna AB töötab pidevalt oma toodete edasiarendamise alal ja jätab seetõttu endale õiguse teha muuhulgas muudatusi toodete kuju ja välimuse osas.

Pikaajaline müra võib tekitada püsiva kuulmiskahjustuse. Sellepärast tuleb alati kanda heakskiidetud kõrvaklappe.



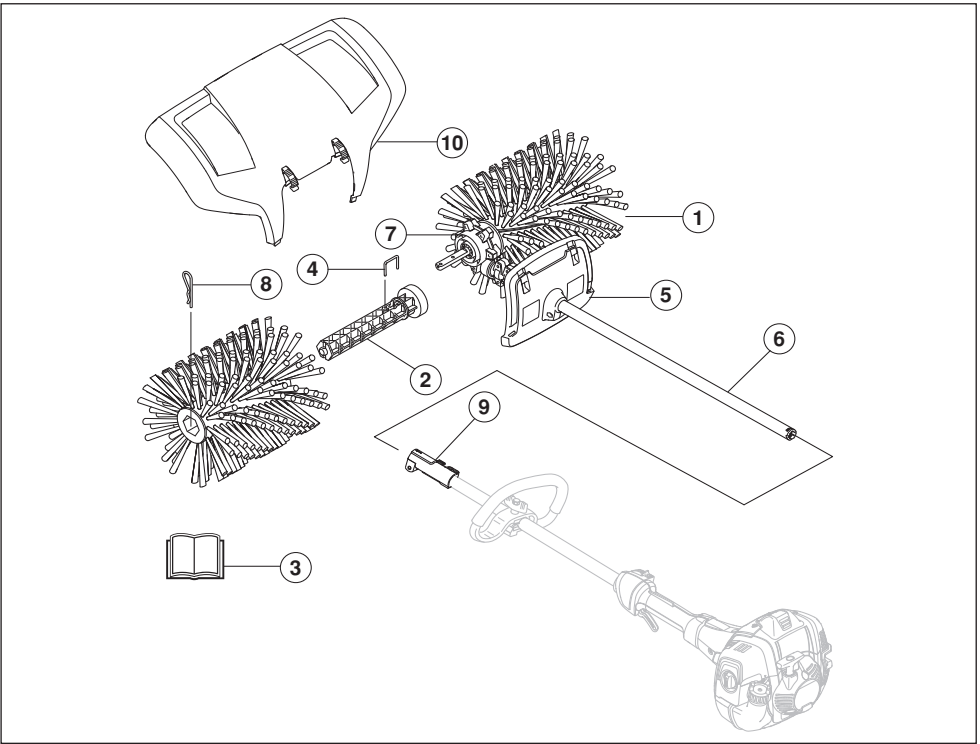
ETTEVAATUST! Seadme algset konstruktsiooni ei tohi muuta ilma tootja loata. Kasuta alati originaalosi. Lubamatud muudatused ja varuosad võivad põhjustada raskeid või isegi eluohtlikke kehavigastusi operaatorile ja teistele.



ETTEVAATUST! Seda lisandit on lubatud kasutada ainult koos selleks otstarbeks ettenähtud puhastussaaagide / trimmeritega, vt masina kasutusjuhendi peatükki Tehnilised andmed, pealkirja all Heakskiidetud lisandid.

Masin on mõeldud üksnes teeradade, asfaltteede jms pühkimiseks.

MIS ON MIS?



Mis on mis pühkija küljes?

- | | | | |
|---|------------------------------|----|---|
| 1 | Harja trummel | 6 | Vars |
| 2 | Trumli völli | 7 | Ülekanne |
| 3 | Käsitsemisõpetus | 8 | Splint |
| 4 | Lukustustihvt | 9 | Varre kinnitus (kuulub põhimasina juurde) |
| 5 | Kaitse (kaitse varre küljes) | 10 | Pritsmekaitse |

OHUTUSEESKIRJAD

Seadme ohutusvarustus

Käesolevas käsitletakse seadme ohutusvarustust, selle toimimist, kontrollimist ning põhihooldust, mis tagab ohutu töö. Peatükis Mis on mis? on näidatud detailide paiknemine seadmel.

Kui seadet ei hooldata õigesti ja korrapäraselt ja seadet ei paranda asjatundja, võib seadme tööga lüheneda ja tekkida oht õnnetuste tekkeks. Lisateabe saamiseks võta ühendust lähima hooldustöökogaga.



ETTEVAATUST! Ära kasuta kunagi vigase ohutusvarustusega seadet. Ohutusvarustust tuleb käesolevas toodud eeskirjade kohaselt hooldada ja kontrollida. Vajadusel lasta seadme hooldustöökogas parandada.



ETTEVAATUST! Enne lisaseadme mis tahes osa kallal töötamist tuleb mootor alati seisata. See võib jätkata liikumist isegi pärast gaasihoova vabastamist. Veenduge, et lisaseade on täielikult seiskunud ja ühendage süütejuhe süüteküünla küljest enne tööde alustamist lahti.

Isiklik ohutusvarustus



ETTEVAATUST! Seadmega töötamisel tuleb kasutada ettenähtud isiklikku kaitsevarustust. Isiklik kaitsevarustus ei vältista õnnetusi, kuid vähendab vigastuse astet. Palu seadme müüjalt abi sobiva varustuse valimisel. Loe käsitsemisõpetus põhjalikult läbi, et kõik eeskirjad oleksid täiesti arusaadavad, enne kui seadet kasutama hakkad.



ETTEVAATUST! Kui kasutad kuulmiskaitset (kõrvaklappe), ole tähelepanelik helide, hõigete ja hoiatussignaalide suhtes. Mootori seiskumisel võta kohe kõrvaklapid ära.

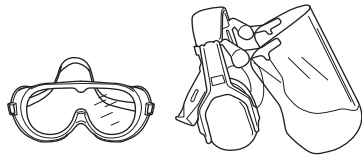
- Kindaid peab kasutama, kui selleks on vajadus.



- Peab kasutama küllaldase helisummutusefektiگا kõrvaklappe.



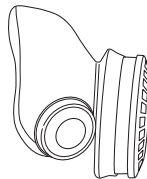
- Alati tuleb kasutada heakskiidetud silmakaitset. Visiiri kasutamisel tuleb lisaks kasutada kooskõlastatud kaitseprille. Kooskõlastatud kaitseprillide all mõeldakse selliseid prille, mis vastavad standardile ANSI Z87.1 USA-s või EN 166 Euroopa Liidu riikides. Oksad ja lendu puhutud objektid võivad vigastada silmi.



- Kasuta libisemiskindlaid ning tugevaid säärkuid.



- Kandke alati tugevast materjalist pikki pükse, saapaid, kindaid ja pikkade varrukatega särki. Ärge kandke kottis riideid, salle, ehteid ega muud taolist, et vähendada pöörlevate osade vahele jäämise ohtu. Kinnitage juuksed õlgadest kõrgemale.
- Tolmu tekke riski korral tuleb kasutada hingamiskaitset.



- Kanna hoolt, et esmaabivarusust oleks alati käepärast.



Üldised ohutuseeskirjad

TÄHTIS!

Kasuta seadet ainult ettenähtud otstarbel. Masin on mõeldud üksnes teeradade, asfaltteede jms pühkimiseks.

Ära kunagi tööta seadmega, kui oled väsinud, alkoholi tarvitanud või kui oled saanud ravimit, mis mõjub su nägemisele, otsustus- või keskendumisvõimele.

Kasutage kasutusjuhendis põhimasina jaoks soovitatud isikukaitsevahendeid. Kaitsevahendite valimisel küsige abi edasimüüjalt.

Ära kunagi kasuta seadet, mille ehitust on muudetud.

Ärge kasutage seadet eriti rasketes ilmaoludes, väga külma, väga tuulise või niiske ilmaga.

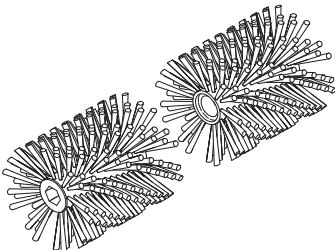
Ärge kunagi kasutage vigastatud seadet. Teostage ohutuskontroll ja hooldage seadet korrapäraselt, nagu käsitlemisõpetuses nõutud. Teatud hooldust tohib teha ainult vastava väljaõppe saanud spetsialist. Vt juhiseid lõigust "Hooldus".

- Ära luba kunagi lastel seadet kasutada.
- Seadme juht on kohustatud jälgima, et inimesed ja loomad ei tuleks töö ajal lähemale kui 15 m.
- Ära luba kellelgi seadet kasutada enne, kui oled kindel, et ta on kasutamissopetuse sisust aru saanud.

Käivitamiselsed ohutuseeskirjad



- Ära lase ligi kõrvalisi isikuid. Lapsed, loomad ja abistajad peavad olema väljaspool ohupiirkonda, s.o vähemalt 15 m kaugusel. Seiska kohe seade, kui keegi läheneb.
- Enne käivitamist kontrolli kogu seadet. Vaheta vigastatud osad välja. Kontrolli, et kütust ei lekiks, et kõik kaitseed ja katted oleksid terved ning korralikult kinni. Kontrolli üle kõik kruvid ja mutrid, et need oleksid kinni.
- Veenduge, et harjade trumlid on terved ja nendel pole pragusid ega muid kahjustusi.



Külmkäivitus

- Laske põhimasinal soojeneda ja seejärel lülitage masin välja.
- Paigaldage lisaseade vastavalt paigaldussuunistele.

- Karburaatori reguleerimisel veenduge, et harjade trumlid on vastu maad ja läheduses ei viibi kedagi.
- Veenduge, et harjade trumlid on tühikäigul.
- Kontrollige, et käepidemed ja turvadetailid oleksid korras. Ärge kasutage seadet, kui sellel puudub mõni osa või midagi on muudetud, nii et see ei vasta enam tehnilistele näitajatele.
- Kasuta seadet ainult ettenähtud otstarbel.

Üldised tööeeskirjad

TÄHTIS!

Käesolevas peatükis kirjeldatakse põhilisi ohutuseeskirju harjaga töötamisel.

Kui olukord on Sulle tundmatu, lakka töötamast ja palu spetsialistidel abi ja nõu. Võta ühendust edasimüüja või hoolduspunktiaga.

Ära tee tööd, milleks Sul puudub väljaõppe või kogemused.

Põhilised ohutuseeskirjad

Vaata ringi:

- Tee kindlaks, et tööpiirkonnas ei oleks inimesi, loomi ega midagi muud, mis võiks häirida sinu kontrolli seadme üle.
 - Veenduge, et ükski eespool mainitu ei puutu kokku pühkija või lahtiste esemetega, mis võivad paiskuda.
 - TÄHELEPANU! Ära kasuta kunagi seadet olukordades, kus sa ei saa kutsuda abi õnnetuse korral.
- 1 Hoidu seadme kasutamisest halva ilmaga. Ära tööta paksu udu, kõva vihma, tuule või pakase korral. Halva ilmaga töötamine väsitab ja sellega kaasneb muid ohte, nagu libe maapind.
 - 2 Veendu, et sa seisad kindlalt ja saad vabalt astuda.
 - 3 Seadme teise kohta toimetamisel tuleb mootor välja lülitada.
 - 4 Ära pane töötava mootoriga seadet maha, kui Sul pole head ülevaadet sellest.

Põhiline lõikamistehnika

- Jälgi alati, et sul oleks kindel ja püsiv jalgealune.



OHUTUSEESKIRJAD

- Hoidke seadet kindlalt kahe käega. Hoidke seadet keha lähedal.
- Vältige käte ja jalgade sattumist harja lähedale, kui mootor töötab.
- Pärast mootori väljalülitamist hoidke käsi ja jalgu harjast eemal, kuni see on täielikult seiskunud.
- Vähenda pöördeid tühikäigule peale igat tööoperatsiooni. Kui mootor töötab pikemat aega ilma koormuseta (s.t. ilma vastupanuta, mida mootor saab seadme töötamisel löikeosa kaudu), võib tekkida raskeid mootorivigastusi.
- Kui tekib tugev vibratsioon, seiska seade. Eemalda süütejuhe süüteküünlalt. Kontrolli, kas seade on saanud viga. Kõrvalda tekkinud rikked.



ETTEVAATUST! Hoiduge paiskuvate esemete eest. Kandke alati kaitseprille. Ärge kumarduge kunagi harja trumli kohale. Kivid, praht jne võivad teile silma paiskuda, põhjustades pimedaksjäämist või tõsisid vigastusi. Ära lase ligi kõrvalisi isikuid. Lapsed, loomad ja abistajad peavad olema väljaspool ohupiirkonda, s.o vähemalt 15 m kaugusel. Seiska kohe seade, kui keegi läheneb. Reduktor võib kasutamisel kuumeneda ja püsida kuumana ka mõni aeg pärast kasutamist. Seda puudutades võite end põletada.

- Laske masinal töötada täisgaasil (või peaaegu täisgaasil), nii et hari toetub maha.

Töötamise ajal on harja ülestõrmine või maast kõrgemal hoidmine väsitav ja ebavajalik.

- Kitsaste pindade (nt teed) puhastamisel saab masinat kasutada nii, et see paiskab materjale ettepoole. Kui soovite töötada laiematel pindadel, võib olla vajalik töötada nurga all, et materjalid koguneksid ühele küljele. Kergete materjalide jäägid saab koguda ühte ritta või kuhja hilisemaks kõrvaldamiseks, samas võib kõvade ja kogukamate materjalide puhul olla vajalik mitmesse kuhja kogumine.



Nurkadele juurdepääsemiseks eemaldage pritsmekaitse, vabastage lisatarviku kinnitus ja pöörake lisatarvikut pool pöoret.



ETTEVAATUST! Seejärel paisatakse praht tagasi kasutaja poole. Masina pöörlemissuuna muutmisel kasutage aeglasemat kiirust ning olge ettevaatlik, sest paiskuvate materjalide otsa võib kergesti komistada.

OHUTUSEESKIRJAD

- Säilitage väike töötamisnurk. Liiga lai töötamisnurk võib põhjustada juhitavuse kaotamist.

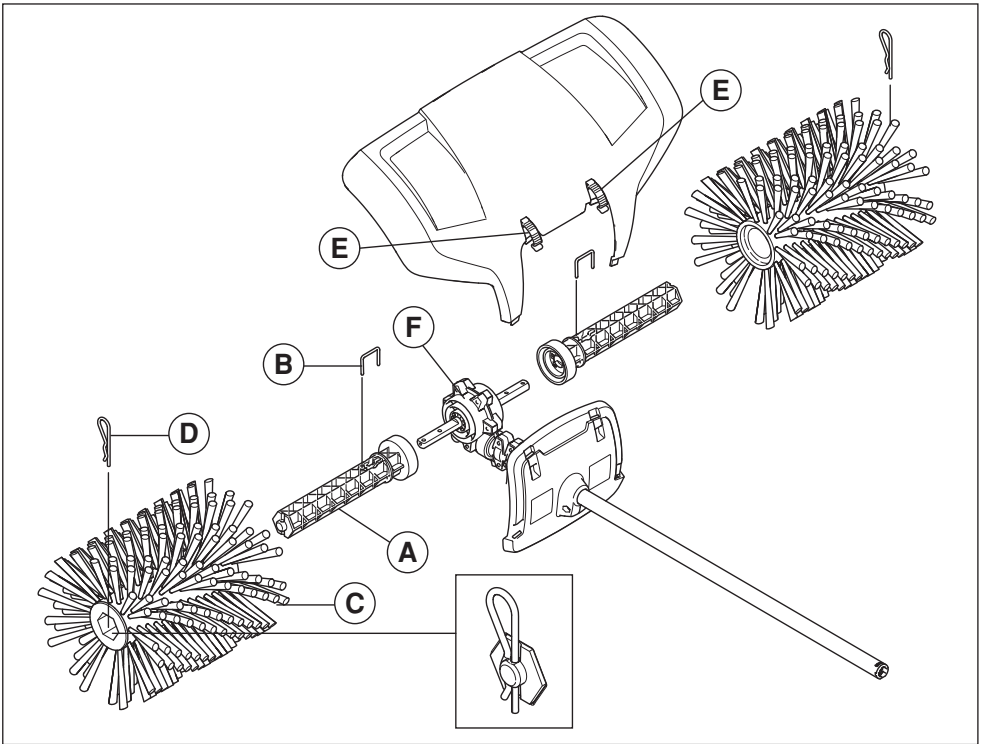


ETTEVAATUST! Säilitage pinnaga väike töötamisnurk. Liiga laia töötamisnurga korral kipub pühkija teie poole liikuma ja võib põhjustada masina juhitavuse kaotamist.

Pühkija käivitamisel võivad harjade trumlid pöörlema hakata. Hoidke masinast käivitamise ajal tugevalt kinni. Olge tähelepanelik esemete suhtes, mis võivad pöörlevate harjade trumlite vahele kinni jääda või nende vahelt paiskuda.

Kuigi harjade trumlid ei pöörle sellise jõuga kui näiteks muruniiduki terad, tuleks vältida töötamist materjalidega, mis võivad tekitada paiskumise korral vigastusi või põhjustada varalist kahju.

KOOSTAMINE



Pühkija lisaseadme paigaldamine

- 1 Suruge üks trumli võlli (A) ühe reduktorist (F) väljuva veovõlli otsa. Vajaduse korral pöörake trumli võlli nii, et splindi ava ja veovõllil olev ava oleksid kohakuti.
- 2 Kinnitage juhtrull splindi (B) abil.
- 3 Asetage üks harjarull (C) paigaldatud võlli otsa. Suruge rull lõpuni.
- 4 Kinnitage rull splindi (D) abil võlli külge. Suruge rulli otsa kinnitamisel veidi sissepoole.
- 5 Korrake neid samme võlli ja rulli paigaldamiseks teisele poole.
- 6 Kinnitage pritsmekaitse klõpsklambrite (E) abil.
- 7 Lisatarvikute paigaldamist põhimasinale vaadake põhimasina kasutusjuhendist.

Hoolduskeem

Allpool on toodud üldised hoolduseeskirjad. Kui tekib küsimusi, tuleb võtta ühendust hoolduspunktiga.

TÄHTIS!

Pühkijaga tuleb töötada tihti tolmustes tingimustes. Äärmiselt oluline on õhufiltrit regulaarselt hooldada, sageli isegi iga päev. Õhufiltrit tuleb õlitada, et see töötaks korralikult.

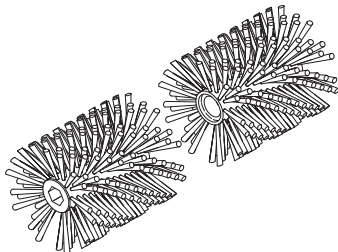
Vaadake hooldussuuniseid toote kasutusjuhendist.

Igapäevane hooldus



ETTEVAATUST! Masina kasutamisel muutub ülekande korpus tuliseks. Põletuste vältimiseks ärge puudutage ülekande korpust.

- Veenduge, et harjade trumlid ei pöörle tühikäigul.



- Veenduge, et harjade trumlid pole kahjustatud või pragunenud. Vajaduse korral asendage harjade trumlid.
- Pikaajalisel hoiundamisel asetage hari rippuma.

Transport ja hoiustamine

- Kui teil tuleb seadet vedada, kontrollige, kas see on korralikult ja nõuetekohaselt kinnitatud.
- Enne pikemaajalist hoiustamist tuleb seade korralikult puhastada ja hooldada.

Tehnilised andmed

Tehnilised andmed

Pühkija **BR600**

Harja trumli laius (mm)	597
Harja trumli läbimõõt (mm)	270

Kaal

Kaal, kg	5,5
----------	-----

Müraemissioon

(vt. märkust 1)

Müra võimsustase, dBA	105
Müra võimsustase, garanteeritud L_{WA} dBA	109

Müratase

(vt. märkust 2)

Ekvivalentne müra rõhutase kasutaja kõrva juures, mõõdetud EN ISO 96 22868 järgi, dBA:

Vibratsioon

(vt. märkust 3)

EN ISO 22867 järgi mõõdetud käepidemete ekvivalentsed vibratsioonitasemed ($a_{hv,eq}$), m/s^2

Eesmine/tagumine käepide: 3,7/6,2

1. märkus: Mõõdetud koos Husqvarna heakskiidetud lisatarvikutega. Ümbritsevasse keskkonda leviva müra võimsus (L_{WA}), mõõdetud vastavalt EÜ direktiivile 2000/14/EÜ. Seadme antud müratase mõõdeti enim müra tekitava originaalsaagimisseadme kasutamisel. Erinevus tagatava ja mõõdetava mürataseme vahel seisneb selles, et direktiivi 2000/14/EÜ alusel hõlmab tagatav müratase ka mõõtmistulemuste levi ja kõrvalekalded sama mudeli eri seadmete vahel.

2. märkus: Mõõdetud koos Husqvarna heakskiidetud lisatarvikutega. Antud andmetel seadme helirõhutase ekvivalendi kohta on statistiline tüüplevi 1 dB (A) (standardne kõrvalekalle).

3. märkus: Mõõdetud koos Husqvarna heakskiidetud lisatarvikutega. Antud andmetel ekvivalentse vibratsioonitaseme kohta on statistiline tüüplevi (standardne kõrvalekalle) 1 m/s^2 .

EÜ kinnitus vastavusest (Kehtib vaid Euroopas)

Husqvarna AB, SE-561 82 Huskvarna, Rootsi, tel +46 36 146500, kinnitab, et pühkija lisatarvik **Husqvarna BR600 / Jonsered BR600** vastab järgmiste NÕUKOGU DIREKTIIVIDE nõuetele.

- **2006/42/EÜ** (17. mai 2006. a) „mehhanismide kohta“.

Järgitud on alljärgnevaid standardeid: **SS-EN ISO 12100:2010**

SMP Svensk Maskinprovning AB, Box 7035, SE-750 07 Uppsala, Rootsi, teostas vabatahtlikult Husqvarna AB standardikontrolli.

Seda lisandit on lubatud kasutada ainult koos selleks otstarbeks ettenähtud puhastussaaigide/trimmeritega, vt masina kasutusjuhendi peatükki Tehnilised andmed, pealkirja all Heakskiidetud lisandid. Sertifikaatide numbrid on: **SEC/15/2412 - BR600**

Huskvarna, 18. veebruar 2015



Per Gustafsson, Arendusdirektor (Husqvarna AB volitatud esindaja ja tehnilise dokumentatsiooni eest vastutaja.)

SIMBOLU NOZĪME

Simboli

BRĪDINĀJUMS!

Nepareizi vai pavirši lietots slaucītājs var būt bīstams darbarīks, kas lietotājam vai citām personām var izraisīt nopietnas vai letālas traumas. Ir ļoti svarīgi, lai jūs izlasītu un izprastu šo lietošanas pamācību.



Lūdzu izlasiet šo lietošanas pamācību uzmanīgi un pārliecinaties, ka pirms mašīnas lietošanas esat visu sapratis.



Vienmēr lietojiet:

- Aizsargķivere, ja pastāv krītošu priekšmetu risks
- Atzītas aizsargaustiņas
- Apstiprinātu acu aizsargaprīkojumu
- Strādājot puteklainā vidē, jāvalkā elpošanas aizsargmaska.



Šis ražojums atbilst spēkā esošajām CE direktīvām.



Mašīnas lietotājam jānodrošina, lai darba vietai tuvāk par 15 metriem neatrodas citi cilvēki vai dzīvnieki.



Vienmēr lietojiet atzītus aizsargcimdus.



Izmantojiet neslīdošus un stabilus zābakus.



Raugiet, lai ķermeņa daļas neatrastos karstu virsmu tuvumā.



Brīdinājums: rotējošas daļas. Turiet rokas un kājas drošā attālumā.



Sargieties no mestiem un rikošetā atlecošiem priekšmetiem.

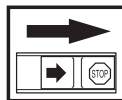


Trokšņu emisijas līmenis atbilstoši Eiropas Kopienas direktīvai. Mašīnas emisijas tiek norādītas daļā Tehniskie dati un uzlīmē.



Pārējie uz mašīnas norādītie simboli/norādes atbilst noteiktu valstu sertifikācijas prasībām.

Motoru izslēdz, stop kontaktu pavirzot stop pozīcijā. UZMANĪBU! Stop kontakts automātiski atgriežas iedarbināšanas pozīcijā. Lai izvairītos no nejaušas iedarbināšanas, aizdedzes sveces uzgalis vienmēr ir jāatvieno no aizdedzes sveces jebkurā montāžas, kontroles un/vai apkopes gadījumā.



Vienmēr lietojiet atzītus aizsargcimdus.



Pārbaudīt, apskatot.



Saturs

SIMBOLU NOZĪME

Simboli 122

SATURS

Saturs 123

Pirms iedarbināšanas ievērojiet sekojošo: 123

KAS IR KAS?

Slaucītāja komponenti 124

DROŠĪBAS INSTRUKCIJAS

Mašīnas drošības aprīkojums 125

Individuālais drošības aprīkojums 125

Vispārējās drošības instrukcijas 126

Vispārējās darba instrukcijas 126

MONTĀŽA

Slaucītāja piederuma uzstādīšana 129

APKOPE

Apkopes grafiks 130

TEHNISKIE DATI

Tehniskie dati 131

Garantija par atbilstību EK standartiem 131

Pirms iedarbināšanas ievērojiet sekojošo:

Lūdzu izlasiet šo lietošanas pamācību uzmanīgi un pārlicināties, ka pirms mašīnas lietošanas esat visu sapratis.

Šī lietošanas pamācība tikai papildina iekārtas komplektācijā esošo instrukciju. Par iekārtas lietošanu skatīt tās instrukciju.

Husqvarna AB pastāvīgi strādā, lai pilveidotu savus izstrādājumus un tāpēc saglabā tiesības izdarīt izmaiņas, piem., izstrādājumu formā un izskatā bez iepriekšēja paziņojuma.

Ilgstoša uzturēšanās troksnī var radīt nopietnas dzirdes traumas. Tāpēc vienmēr lietojiet dzirdes aizsargaustīņas.



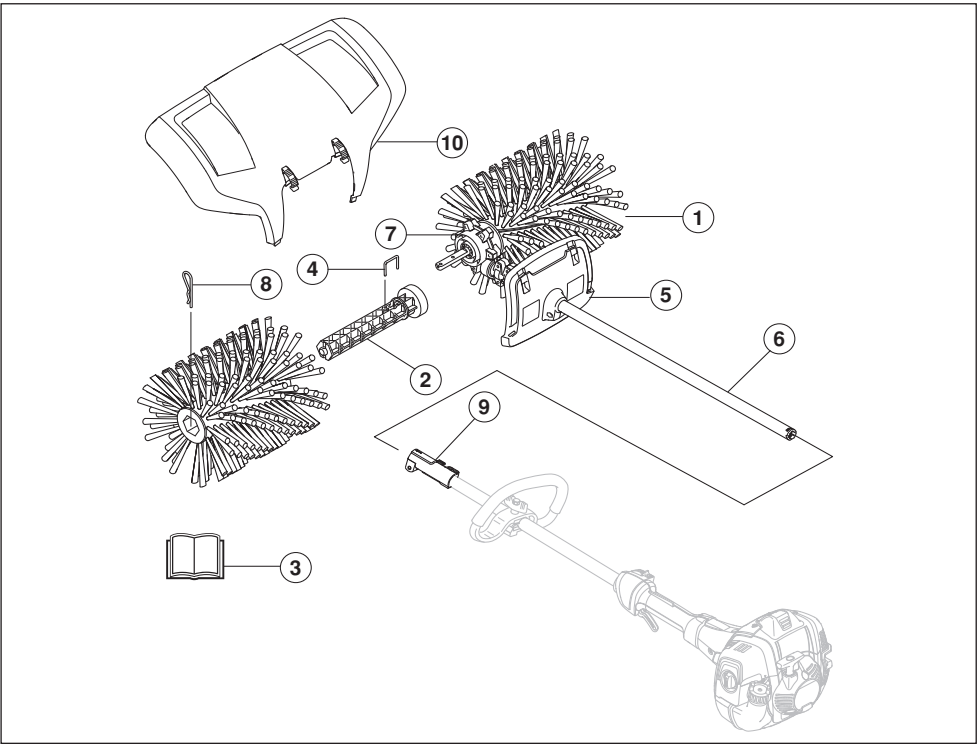
BRĪDINĀJUMS! Nekādos apstākļos nedrīkst bez ražotāja atļaujas izmainīt šīs mašīnas sākuma konstrukciju. Lietojiet oriģinālās rezerves daļas. Neatļautas izmaiņas un/vai neatļauti piederumi var novest pie traumām vai beigties ar tehnikas izmantotāja un citu personu nāvi.



BRĪDINĀJUMS! Šie piederumi jāizmanto tikai kopā ar tiem paredzētajiem zāģiem / trimmeriem (skatīt lietošanas pamācības nodaļas „Tehniskie dati” apakšnodaļu „Apstiprinātie piederumi”).

Iekārta ir paredzēta tikai taku, asfaltētu ceļu un līdzīgu virsmu slaucīšanai.

KAS IR KAS?



Slaucītāja komponenti

- | | | | |
|---|------------------------------|----|---|
| 1 | Birstes veltnis | 6 | Takelāžas stienis |
| 2 | Veltna ass | 7 | Pārnesumkārbas karteris |
| 3 | Lietošanas pamācība | 8 | Sazarojuma tapa |
| 4 | Fiksācijas tapa | 9 | Takelāžas stieņa savienojums (pieder pie pamatiekārtas) |
| 5 | Aizsargs (vārpstas aizsargs) | 10 | Šļakatu aizsargs |

DROŠĪBAS INSTRUKCIJAS

Mašīnas drošības aprīkojums

Šajā nodaļā tiek paskaidrota mašīnas drošības detaļu nozīme, to funkcijas un kā tiek veikta to kontrole un apkope, lai garantētu drošības aprīkojuma nevainojamu darbību. Lai atrastu šīs detaļas jūsu mašīnā, skatiet nodaļu Kas ir kas?

Mašīnas mūža garums var saīsināties un var pieaugt nelaimes gadījumu risks, ja pareizi netiek veikta mašīnas apkope un, ja servisu un/vai remontu neveic profesionāļi. Ja jums ir nepieciešama papildu informācija, sazinieties ar tuvāko servisa darbnīcu.



BRĪDINĀJUMS! Nekad nelietojiet mašīnu ar bojātu drošības aprīkojumu. Mašīnas drošības aprīkojums ir jākontrolē un jāuztur, pamatojoties uz šajā nodaļā izklāstīto instrukciju. Ja jūsu mašīna neatbilst kontroles prasībām, nododiet to labošanai servisa darbnīcā.



BRĪDINĀJUMS! Pirms darba pie jebkuras iekārtas detaļas vienmēr apturiet motoru. Tas var pārvietoties pat tad, ja drosele ir atlaista. Pārliecinieties, vai iekārta ir pilnībā apstājusies, un pirms darba pie iekārtas atvienojiet augstsprieguma vadus no aizdedzes sveces.

Individuālais drošības aprīkojums



BRĪDINĀJUMS! Jebkuras mašīnas lietošanas gadījumos ir jālieto valsts iestāžu atzīts individuālais aizsargaprīkojums. Individuālais aizsargaprīkojums nesamazina traumu risku, bet tikai samazina ievainojuma bīstamības pakāpi nelaimes gadījumā. Lūdziet pārdevēja palīdzību, izvēloties nepieciešamo aprīkojumu. Lūzdu izlasiet šo lietošanas pamācību uzmanīgi un pārliecinaties, ka pirms mašīnas lietošanas esat visu sapratīs.

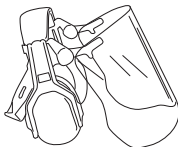


BRĪDINĀJUMS! Lietojot dzirdes aizsargaustīņas, esiet vienmēr uzmanīgs, lai dzirdētu brīdinājumu signālus vai saucienus. Dzirdes aizsargaustīņas noņemiet uzreiz, kad motors apstādināts.

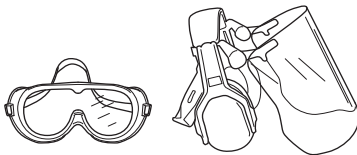
- Cimdi jālieto nepieciešamības gadījumos.



- Lietojiet aizsargaustīņas ar pietiekošu trokšņu slāpēšanas spēju.



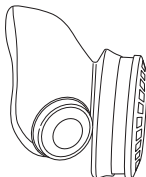
- Vienmēr ir jālieto apstiprināts acu aizsargaprīkojums. Atzītas aizsargbrilles jālieto arī tad, ja tiek izmantots vizieris. Atzītas aizsargbrilles ir tādas, kas atbilst ASV standarta ANSI Z87.1 vai ES valstu standarta EN 166 prasībām. Izmestie zaru vai priekšmetu gabaliņi var traumēt acis.



- Izmantojiet neslidošus un stabilus zābakus.



- Vienmēr valkājiet smagas, garas bikses, zābakus, cimdus un kreklus ar garām piedurknēm. Lai mazinātu traumu gūšanas risku, kas saistīts ar priekšmetiem, kuri tiek ierauti rotējošajās daļās, nevalkājiet vaļīgu apdērbu, šalles, rotaslietas utt. Sasieniet matus, lai tie atrastos virs pleciem.
- Strādājot putekļainā vidē, jāvalkā elpošanas aizsargmaska.



- Pirmās medicīniskās palīdzības aptieciņai ir vienmēr jābūt pa rokai.



DROŠĪBAS INSTRUKCIJAS

Vispārējas drošības instrukcijas

SVARĪGI!

Izmantojiet mašīnu vienīgi tam, kam tā paredzēta. Iekārta ir paredzēta tikai taku, asfaltētu ceļu un līdzīgu virsmu slaucīšanai.

Nekad nelietojiet mašīnu, ja esat noguris, ja esat dzēris alkoholiskus dzērienus, vai, ja lietojiet medikamentus, kas var ietekmēt redzi, prāta spējas, vai koordināciju.

Lietojiet rokasgrāmatā ieteikto iekārtas individuālo drošības aprīkojumu. Lai izvēlētos pareizo drošības aprīkojumu, lūdziet palīdzību izplatītājam.

Nekad nelietojiet mašīnu, kas ir pārveidota tā, ka tā neatbilst sākotnējai konstrukcijai.

Nekad nelietojiet mašīnu ekstremālos laika apstākļos, tādos kā liels sals vai ļoti karstā un/vai mitrā klimatā.

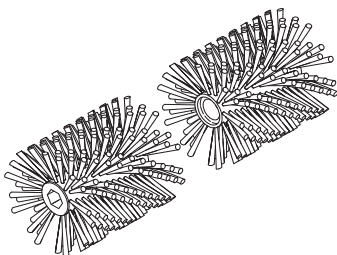
Nekad nelietojiet bojātu mašīnu. Ievērojiet šajā rokasgrāmatā aprakstītās drošības pārbaudes, tehniskās apkopes un remonta instrukcijas. Dažus apkopes un remonta darbus drīkst veikt tikai apmācīti un kvalificēti speciālisti. Skatiet instrukcijas nodaļā Apkope.

- Nekad neļaujiet bērniem izmantot mašīnu.
- Mašīnas lietotājam jānodrošina, lai darba vietai tuvāk par 15 metriem neatrodas citi cilvēki vai dzīvnieki.
- Nekad neļaujiet citiem izmantot mašīnu, ja neesat pilnīgi pārliecināts, vai viņi sapratuši lietošanas pamācību.

Drošības instrukcijas pirms iedarbināšanas



- Nepiederošus turiet pa gabalu. Bērni, dzīvnieki un palīgi nedrīkst atrasties tuvāk darba vietai par 15 metriem. Ja kāds tuvojas, nekavējoties apstādiniet mašīnu.
- Pirms iedarbināt mašīnu, rūpīgi to pārbaudiet. Nomainiet bojātās detaļas. Pārbaudiet, vai netek degviela un vai visi aizsargi un vāki ir kārtībā un cieši piestiprināti. Pārbaudiet visas skrūves un uzgriežņus.
- Pārbaudiet, vai birstu veltni nav bojāti un uz tiem nav redzamas plaisas vai citi bojājumi.



Aukstas iekārtas palaišana

- Sāciet iekārtas pamata uzsildīšanu un pēc tam izslēdziet iekārtu.
- Uzstādiet papildaprīkojumu, kā norādīts montāžas instrukcijās.
- Regulējot karburatoru, nodrošiniet, lai birstu veltni būtu novietoti uz zemes un neviens neatrastos iekārtas tuvumā.
- Pārliecinieties, vai birstu veltni darbojas tukšgaitā.
- Raugiet, lai kārtībā ir rokturis un drošības aprīkojums. Nekad neizmantojiet mašīnu, kurai trūkst kāda detaļa vai tā ir izmanīta pretrunā ar specifikāciju.
- Izmantojiet mašīnu vienīgi tam, kam tā paredzēta.

Vispārējas darba instrukcijas

SVARĪGI!

Šajā sadaļā ir aprakstīti drošības pamatnoteikumi darbā ar birsti.

Ja nonākat situācijā, kur jums nav skaidrs, kā rīkoties turpmāk, prasiet speciālista padomu. Sazinieties ar jūsu dīleri vai servisa darbinīcu.

Izvairieties no tādas lietošanas, kurai jūs neuzskatāt sevi par pietiekoši kvalificētu.

Drošības pamatnoteikumi

Uzmaniet apkārtnei:

- Lai pārliecinātos, ka tuvumā nav cilvēku, dzīvnieku, vai priekšmetu, kas var ietekmēt jūsu kontroli pār mašīnu.
 - Lai pārliecinātos, vai neviens no iepriekš aprakstītajiem nevar saskarties ar slaucītāju vai izvīstiem vajīgajiem priekšmetiem.
 - **UZMANĪBU!** Nekad nelietojiet mašīnu, ja nav iespējams pasaukt palīdzību nelaimes gadījumā.
- 1 Nelietojiet zāģi sliktos laika apstākļos. Piemēram biežā miglā, stiprā lietus gāzē, stiprā vējā, lielā aukstumā utt. Darbs sliktos laika apstākļos ir nogurdinošs un saistīts ar bīstamiem riskiem, kā slidenu zemi.
 - 2 Raugiet, lai jūs varat droši pārvietoties un stāvēt.
 - 3 Pārvietojot mašīnu, motors jāizslēdz.
 - 4 Nekad nelieciet mašīnu zemē ar ieslēgtu motoru, ja jūs nevarat to paturēt savā redzes lokā.

DROŠĪBAS INSTRUKCIJAS

Pamata darba tehnika

- Vienmēr iņņemiet drošu un stabilu darba stāju.



- Mašīnu vienmēr turiet ar abām rokām. Turiet mašīnu sev sānu pusē.
- Nodrošiniet, lai motora darbības laikā rokas un kāju pēdas nesaskartos ar birsti.
- Kad motors tiek izslēgts, turiet rokas un pēdas attālak no birstes, kamēr tā pilnībā apstājas.
- Pēc katra darba momenta samaziniet motora jaudu uz tukšgaitas ātrumu. Motora darbināšana ilgāku laiku ar pilnu jaudu bez noslogojuma (tas ir, bez pretestības, ko motors jūt ar griešanas aprikojumu, mašīnas darba laikā) var smagi sabojāt motoru.
- Rodoties spēcīgām vibrācijām, mašīna jāapstādina. Noņemiet aizdedzes kabeli no sveces. Pārbaudiet, vai mašīna nav bojāta. Novērsiet bojājumus, ja tādi radušies.



BRĪDINĀJUMS! Uzmanieties no izvīstiem priekšmetiem. Vienmēr nēsājiet acu aizsarglīdzekli. Nedrīkst noliekties pār birstes veltni. Akmeņi, gruži un citas lietas var tikt izvīstas un trāpīt acīs, izraisot aklumu vai citas nopietnas traumas. Nepiederošus turiet pa gabalu. Bērni, dzīvnieki un palīgi nedrīkst atrasties tuvāk darba vietai par 15 metriem. Ja kāds tuvojas, nekavējoties apstādiniet mašīnu. Reduktors var sakarst darba laikā un neatdzist vēl kādu laiku arī pēc iekārtas izslēgšanas. Pieskaroties tam, var gūt apdegumus.

- Darbiniet iekārtu ar maksimālajiem apgriezieniem (vai tuvu tiem), kad birste balstās uz tīrāmās virsmas.

Darba laikā ir nogurdinoši un lieki pacelt birsti no tīrāmās virsmas vai turēt to virs tīrāmās virsmas.

- Tīrot šaurās vietās, piemēram, ceļņus, iekārtu var lietot tā, lai materiāli tiktu izvīsti tieši priekšā jums. Ja vēlaties strādāt uz platākām virsmām, strādājiet noteiktā leņķī, lai materiāli uzkrātos kaudzītēs gar vienu malu. Kaudzītēs savāktos vieglos materiālus var savākt vienā rindā vai lielā kaudzē, lai tos varētu vēlāk aizvākt visus kopā, bet

smagākus vai lielākus materiālus ir jāsavāc vairākās kaudzītēs.



Lai piekļūtu stūriem, noņemiet šjakatu aizsargu, atbrīvojiet piederuma savienojumu un pagrieziet to par pusi apgrieziena.



BRĪDINĀJUMS! Gruži var tikt izmesti lietotāja virzienā. Lietojot iekārtu atpakaļgaitā, izmantojiet mazākus apgriezienus un atcerieties, ka ir viegli pakrist uz izvīstajiem materiāliem.

DROŠĪBAS INSTRUKCIJAS

- Saglabājiet mazu darba leņķi. Strādājot lielākā darba leņķī, var zaudēt vadību.

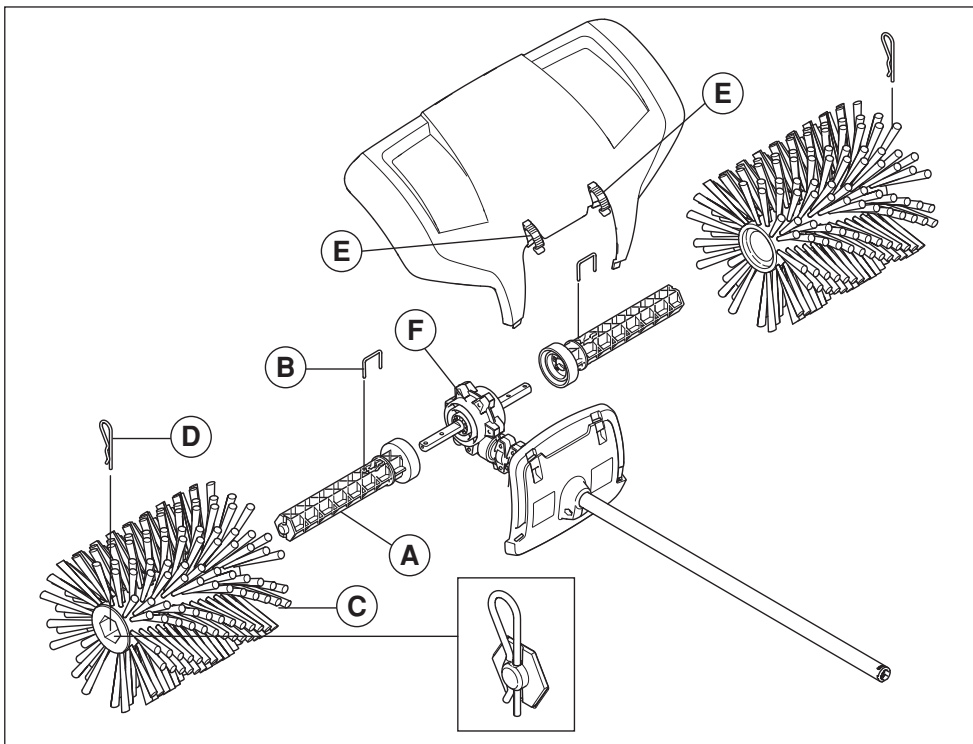


BRĪDINĀJUMS! Saglabājiet mazu darba leņķi pret virsmu. Pārāk liels darba leņķis var radīt to, ka slaucītājs pārvietojas lietotāja virzienā un rodas risks zaudēt kontroli pār vadību.

Birstu veltni var griezties brīdī, kad tiek palaists slaucītājs. Palaižot iekārtu, turiet to stingri. Uzmanieties no priekšmetiem, kas var iesprūst rotējošajos birstu veltnos vai tikt izmesti no tiem.

Lai gan birstu veltniem nav tāda spēka kā plāvēja asmeņiem, ir jāizvairās no darba ar materiāliem, kas var tikt izsviesti un radīt traumas vai bojājumus īpašumam.

MONTĀŽA



Slaucītāja piederuma uzstādīšana

- 1 Vienu no veltna asim (A) spiediet uz vienas no divām reduktora kartera izejošajām piedziņas vārpstām (F). Ja nepieciešams, pagrieziet veltna asi tā, lai tās atvere tiktu pielāgota atbilstošajai piedziņas vārpstas atverei.
- 2 Izmantojot fiksācijas tapu (B), nostipriniet rullī vārpstu.
- 3 Vienu no birstu rulljiem (C) uzlieciet uz uzstādītās vārpstas. Spiediet rullī, līdz tas apstājas.
- 4 Izmantojot šķeltapu (D), nostipriniet rullī uz vārpstas. Uzstādīšanas laikā viegli uzspiediet uz gala.
- 5 Lai uzstādītu otras puses asi un rullī, atkātojiet iepriekš aprakstītās darbības.
- 6 Uzstādiet dubļusargu ar fiksējošiem stiprinājumiem (E).
- 7 Lai uzzinātu, kā uzstādīt piederumus pamatiekārtai, skatiet pamatiekārtas lietotāja rokasgrāmatu.

Apkopes grafiks

Tālāk tekstā iepazīsimies ar dažām vispārējām apkopes instrukcijām. Ja jūs vēlaties papildu informāciju, griezieties servisa darbnīcā.

SVARĪGI!

Darbs ar slaucītāju bieži notiek putekļainos apstākļos. Ļoti svarīgi regulāri veikt gaisa filtra apkopi, bieži vien tas ir jādarā katru dienu. Gaisa filtrs ir jāieeļļo, lai tas darbotos apmierinoši.

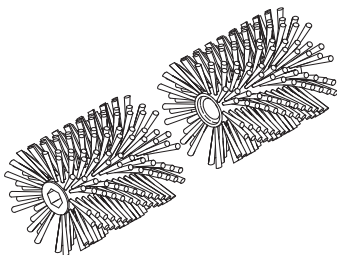
Skatiet izstrādājuma lietotāja rokasgrāmatā iekļautos apkopes norādījumus.

Ikdienas apkope



BRĪDINĀJUMS! Iekārtas lietošanas laikā reduktora karteris uzkarst. Lai izvairītos no apdegumiem, nepieskarieties reduktora karterim.

- Pārbaudiet, vai birstu veltni tukšgaitā negriežas.



- Pārbaudiet, vai birstu veltni nav bojāti un ir bez plaisām. Nomainiet birstu veltnus, ja nepieciešams.
- Uzglabājot ilgāku laika periodu, uzkariet birstes.

Transports un uzglabāšana

- Ja esiet paredzējuši raidera transportēšanu, tad izmantojiet vienīgi šim nolūkam paredzētas stiprinājuma saites, pēc stiprināšanas pārlecinieties, lai stiprinājumi būtu cieši nospriegoti.
- Raugiet, lai pirms novietošanas ilgstošā uzglabāšanā mašīna ir labi notīrīta un tai ir veikts pilnīgs serviss.

TEHNISKIE DATI

Tehniskie dati

Tehniskie dati

Slaucītājs **BR600**

Birstes veltna platums, mm 597

Birstes veltna diametrs, mm 270

Svars

Svars, kg 5,5

Trokšņa emisijas

(skatīt piezīmi.1)

Skaņas jaudas līmenis, mērīts dB(A) 105

Skaņas jaudas līmenis, garantēts L_{WA} dB(A) 109

Skaņas līmenis

(skatīt 2. piezīmi)

Ekvivalents skaņas spiediena līmenis pie lietotāja aus, mērīts atbilstoši standartiem EN ISO 22868, dB(A): 96

Vibrācijas

(skatīt 3. piezīmi)

Ekvivalenti vibrāciju līmeņi ($a_{hv,eq}$) ar rokturi, ko mēra saskaņā ar EN ISO 22867, m/s^2

Priekšējais/aizmugures rokturis: 3,7/6,2

Piezīme Nr. 1: Mērīts kopā ar Husqvarna apstiprinātiem piederumiem. Trokšņa emisija apkārtnē ir mērīta kā trokšņa jauda (L_{WA}) saskaņā ar EK direktīvu 2000/14/EK. Aparāta skaņas intensitātes līmenis ir izmērīts ar piestiprinātu oriģinālu griezni, kas veic darbu augstākajā līmenī. Atšķirība starp garantēto un izmērīto skaņas intensitāti ir tāda, ka mērījumu rezultātā garantētajai skaņas intensitātei ir arī izkliede un novirzes starp dažādiem tā paša modeļa aparātiem, kas atbilst Direktīvai 2000/14/EK.

Piezīme Nr. 2: Mērīts kopā ar Husqvarna apstiprinātiem piederumiem. Sniegtajos datos par ekvivalenta trokšņa spiediena līmeni, aparātam ir tipiska statistiskā 1 dB (A) izkliede (standartnovirze).

Piezīme Nr. 3: Mērīts kopā ar Husqvarna apstiprinātiem piederumiem. Sniegtajos datos par ekvivalentu vibrācijas līmeni ir tipiska 1 m/s^2 statistiskā izkliede (standarta novirze).

Garantija par atbilstību EK standartiem (Attiecas vienīgi uz Eiropu)

Husqvarna AB, SE-561 82 Huskvarna, Zviedrija, tālr. nr. +46-36-146500, paziņo, ka slaucītāja piederums **Husqvarna/ Jonsered BR600** atbilst PADOMES DIREKTĪVAS prasībām:

- 2006. gada 17 maijs, Direktīva **2006/42/EK**, "par mašīnu tehniku".

Izmantoti sekojoši standarti: **SS-EN ISO 12100:2010**

SMP Svensk Maskinprovning AB, Box 7035, SE-750 07 Uppsala, Zviedrijā ir brīvprātīgi veicis Husqvarna AB iekārtu tipu pārbaudi.

Šie piederumi jāizmanto tikai kopā ar tiem paredzētajiem zāģiem / trimmeriem (skatīt lietošanas pamācības nodaļas „Tehniskie dati” apakšnodaļu „Apstiprinātie piederumi”). Sertifikātu numuri: **SEC/15/2412** – BR600

Huskvarna, 2015.g. 18. februāris



Per Gustafsson, Nodaļas vadītājs (Pilnvarotais Husqvarna AB pārstāvis ir atbildīgs par tehnisko dokumentāciju.)

SUTARTINIAI ŽENKLAI

Simboliai

PERSPĖJIMAS!

Dėl neteisingo ar neapdairaus naudojimo, šepetys gali būti pavojingas įrenginys, ir naudotojas ar kiti asmenys gali rimtai ar net mirtinai susižeisti. Labai svarbu, kad Jūs perskaitytumėte ir suprastumėte šių naudojimosi instrukcijų turinį.



Prieš naudodami įrenginį, atidžiai perskaitykite operatoriaus vadovą ir įsitikinkite, ar viską gerai supratote.



Visada dėvėkite:

- Mūvėti apsauginį šalną ten, kur gali būti krentančių daiktų
- Pripažintas apsaugines ausines
- Pripažintą akių apsaugą
- Jeigu aplinkoje daug dulkių, būtina užsidėti respiratorių.



Šis gaminytis atitinka galiojančius Europos (CE) reikalavimus.



Dirbant šiuo įrenginiu naudotojas turi žiūrėti, kad kiti žmonės ar gyvuliai neprieitų arčiau nei 15 m atstumu.



Visada mūvėkite pripažintas apsaugines pirštines.



Avėkite tvirtus guminius batus rantių padu.



Jokia kūno dalimi nesilieskite prie įkaitusių paviršių.



Įspėjimas: sukamosios dalys. Saugokite rankas ir kojas.



Perspėjimas dėl išmetamų ir rikošetu atšokusių daiktų.

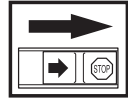


Triukšmo emisija į aplinką pagal Europos Bendrijos direktyvą. Įrenginio emisija pateikiama skyriuje "Techniniai duomenys" ir ant lipduko.

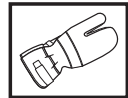


Kiti ant įrenginio pateikti simboliai (lipdukai) skirti specialiems kai kurių rinkų sertifikavimo reikalavimams.

Variklis išjungiamas "Stop" rankenėlę pastūmus į "Stop" padėtį. PASTABA! "Stop" rankenėlė automatiškai grįžta į "Start" padėtį. Norint išvengti atsitiktinio užvedimo, atliekant montavimą, patikros ir/arba priežiūros darbus būtina visada nuo uždegimo žvakės nuimti žvakės antgalį.



Visada mūvėkite pripažintas apsaugines pirštines.



Patikrinkite vizualiai.



Turinys

SUTARTINIAI ŽENKLAI

Simboliai 132

TURINYS

Turinys 133

Prieš užvedant atkreipkite dėmesį: 133

KAS YRA KAS?

Sudedamosios šepėčio dalys 134

SAUGOS INSTRUKCIJOS

Įrenginio apsauginės dalys 135

Asmens saugos priemonės 135

Bendros saugos priemonės 136

Bendrosios darbo instrukcijos 136

SURINKIMAS

Šepėčio priedo montavimas 139

TECHNINĖ PRIEŽIŪRA

Techninės priežiūros grafikas 140

TECHNINIAI DUOMENYS

Techniniai duomenys 141

EB atitikties patvirtinimas 141

Prieš užvedant atkreipkite dėmesį:

Prieš naudodami įrenginį, atidžiai perskaitykite operatoriaus vadovą ir įsitikinkite, ar viską gerai supratote.

Ši instrukcija yra kaip priedas prie kartu su mašina pateikiamos instrukcijos. Kitais atvejais vadovaukitės mašinos instrukcija.

Husqvarna AB nuolat siekia tobulinti savo produktus, pasilikdama sau teisę keisti jų formą ir išvaizdą be išankstinio įspėjimo.

Ilgalaikis triukšmo poveikis gali nesugrąžinamai pakenkti klausai. Todėl visada naudokite pripažintas apsaugines ausines.



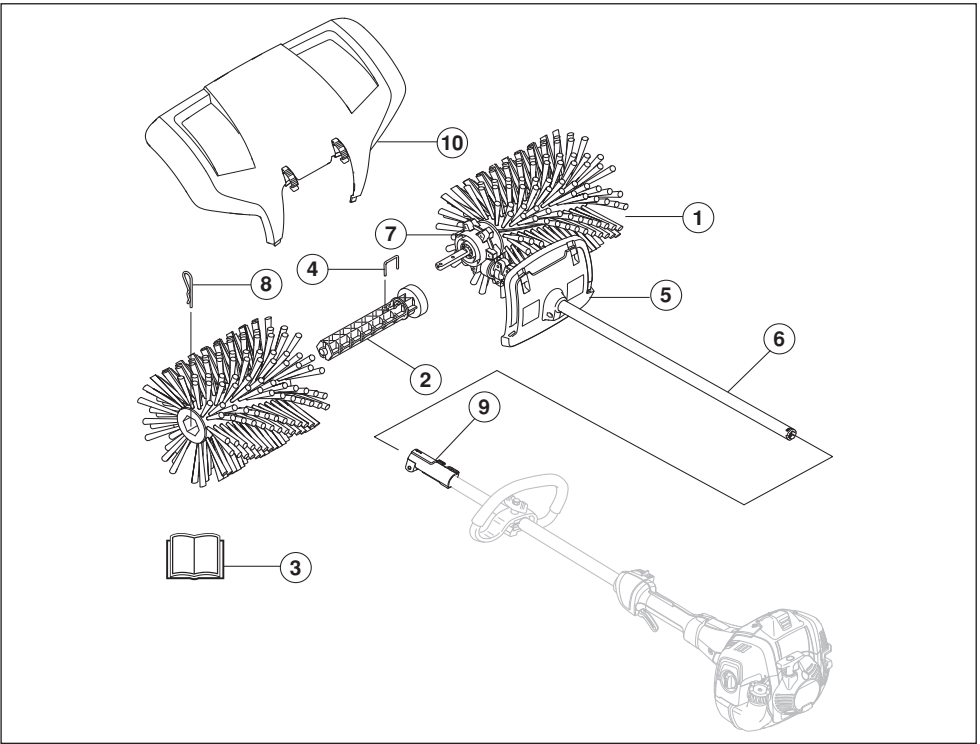
PERSPĖJIMAS! Be gamintojo leidimo jokiū būdu negalima keisti įrenginio konstrukcijos. Visada naudokite originalias atsargines dalis. Nesuderinti konstrukcijos pakeitimai bei nepritaikytos detalės gali sukelti rimtus kūno sužalojimus ir net mirtį.



PERSPĖJIMAS! Ši įranga turi būti naudojama tik kartu su atitinkamais valymo pjūklais/trimeriais, žr. dalį pažymėta „Patvirtinta įranga“ skyriuje „Techniniai duomenys“ mašinos naudojimo instrukcijoje.

Įrenginys skirtas nuvalyti tik vejas, takus, asfaltuotus kelius ir pan.

KAS YRA KAS?



Sudedamosios šepetio dalys

- | | |
|----------------------------|---|
| 1 Šepetio būgnas | 6 Stovas |
| 2 Būgno ašis | 7 Pavaros korpusas |
| 3 Operatoriaus vadovas | 8 Išardomas kaištis |
| 4 Fiksuojantis kaištis | 9 Stovo jungtis (priklauso bazinei mašinai) |
| 5 Apsauga (veleno apsauga) | 10 Purvasaugis |

SAUGOS INSTRUKCIJOS

Įrenginio apsauginės dalys

Šiame skyriuje pasakojama apie įvairius įrenginio saugos elementus, aiškinama, kaip jie veikia, patariama, kaip juos prižiūrėti ir tvarkyti, jei norite, kad pjūklas dirbtų gerai ir saugiai. Žr. skyrių Kas yra kas?, jei norite pamatyti, kur kokia detalė yra Jūsų įrenginyje.

Įrenginio tinkamai techniškai neprižiūrint ir profesionaliai neatliekant remonto darbų, gali sutrumpėti jo eksploatacijos trukmė ir padidėti nelaimingų atsitikimų pavojus. Dėl papildomos informacijos, kreipkitės į artimiausias techninės priežiūros dirbtuves.



PERSPĖJIMAS! Niekada nesinaudokite įrenginiu, jei jo apsauginė įranga yra netvarkinga. Jo apsauginė įranga turi būti tikrinama ir prižiūrima taip, kaip yra aprašyta šiame skyrelyje. Jei jūsų įrenginys neatliks nors vieno kontrolės reikalavimo, kreipkitės į remonto dir



PERSPĖJIMAS! Prieš dirbdami su be kuria priedo dalimi, visada sustabdykite variklį. Jis gali ir toliau judėti net ir atleidus akceleratorių. Prieš pradėdami dirbti prie šios įrangos, įsitinkite, ar priedas visiškai sustojo, nuo žvakės nuimkite laidą.

Asmens saugos priemonės



PERSPĖJIMAS! Naudodami įrenginį, visada dėvėkite patvirtintas asmens saugos priemones. Asmens saugos priemonės nepašalina sužeidimo rizikos, tačiau nelaimingo atsitikimo atveju mažiau nukentėsite. Paprašykite pardavėjo išrinkti Jums tinkamiausias priemones. Prieš naudodami įrenginį, atidžiai perskaitykite operatoriaus vadovą ir įsitinkite, ar viską gerai supratote.



PERSPĖJIMAS! Naudojant apsaugines ausines, būkite atidus dėl įspėjamųjų signalų ar garsų. Išjungus variklį, visada nusiimkite apsaugines ausines.

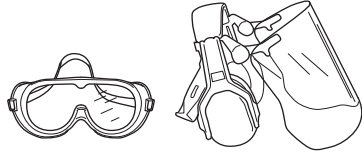
- Prireikus mūvėkite pirštines.



- Nešiokite pakankamomis garso slopinimo savybėmis pasižyminčias apsaugines ausines.



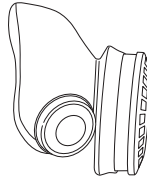
- Visada nešiokite akių apsaugą. Jei naudojamas apsauginis skydelis, turi būti nešiojami ir pripažinti apsauginiai akiniai. Pripažinti apsauginiai akiniai yra tie, kurie atitinka ANSI Z87.1 JAV arba EN 166 ES šalims standartą. Atsitrenkiančios šakos ar pūstuvo pakelti daiktai gali sužaloti akis.



- Avėkite tvirtus guminius batus rantų padu.



- Visada mūvėkite sunkias ilgas kelnes, batus, pirštines ir marškinius ilgomis rankovėmis. Kad išvengtumėte sužeidimų pavojaus, įtraukus daiktus į besisukančias dalis, nedėvėkite laisvų drabužių, šalikų, papuošalų ir pan. Žiūrėkite, kad plaukai nekristų žemiau pečių.
- Jeigu aplinkoje daug dulkių, būtina užsidėti respiratorių.



- Po ranka visada turėkite pirmosios pagalbos vaistinėlą.



SAUGOS INSTRUKCIJOS

Bendros saugos priemonės

SVARBU!

Įrenginį naudokite tik tiems tikslams, kuriems jis yra skirtas. Įrenginys skirtas nuvalyti tik vejas, takus, asfaltuotus kelius ir pan.

Niekada nenaudokite įrenginio, jei esate pavargę, jei vartojote alkoholį ar vaistus, kurie gali turėti įtakos jūsų regėjimui, nuovokai ar koordinacijai.

Naudokite bazinės mašinos naudojimo instrukcijoje rekomenduojamas asmenų apsaugos priemonės. Kaip tinkamai pasirinkti reikiamas apsaugos priemones, patars prekybos atstovas.

Niekada nenaudokite įrenginio, kurio konstrukcija yra modifikuota, lyginant su gamyklos standartu.

Niekada įrenginio nenaudokite ekstremaliomis klimatinėmis sąlygomis, pvz., esant dideliam šalčiui ar labai karštam ir/arba drėgnam klimatui.

Niekada nenaudokite techniškai netvarkingo įrenginio. Reguliariai atlikinėkite patikras ir vykdykite techninės priežiūros nurodymus, pateiktus šiame vadove. Kai kurias techninės priežiūros procedūras gali atlikti tik apmokyti ir kvalifikuoti specialistai, žr. nurodymus skyriuje "Techninė priežiūra".

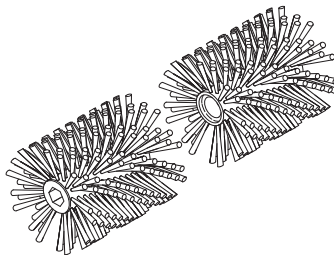
- Niekada neleiskite vaikams naudotis įrenginiu.
- Dirbant šiuo įrenginiu naudotojas turi žiūrėti, kad kiti žmonės ar gyvuliai neprieitų arčiau nei 15 m atstumu.
- Niekada neįleiskite dirbti įrenginiu prieš tai neįsitikinę, kad jie perskaitė ir suprato operatoriaus vadove pateiktus nurodymus.

Saugumo instrukcijos prieš pradėdant darbą



- Neprisileiskite artyn pašalinių. Vaikai, gyvuliai, stebėtojai ir padėjėjai turi būti nutolę saugiu 15 m atstumu. Tuoj pat sustabdykite įrenginį, jei kas nors artinasi.
- Prieš pradėdami darbą patikrinkite visą įrenginį. Pakeiskite sugedusias dalis. Patikrinkite, ar nebėga kuras, ar visos saugos priemonės ir dangteliai yra savo vietose ir patikimai pritvirtinti. Patikrinkite visas veržles ir varžtus.

- Patikrinkite, ar šepčio būgnai nėra pažeisti, neįtrūkė ir neturi kitų defektų.



Kai paleidžiama šalta:

- Užveskite bazinę mašiną ir leiskite padirbti, kol sušils, tada išjunkite.
- Prijunkite priedą, kaip nurodyta surinkimo nurodymuose.
- Reguluodami karbiuratorių, pasirūpinkite kad šepčių būgnai būtų nuleisti ant žemės ir šalia nėra pašalinių asmenų.
- Patikrinkite, ar šepčio būgnai dirba tuščiaja eiga.
- Įsitinkite, ar rankena ir apsaugos funkcijos yra tvarkingos. Niekada nenaudokite įrenginio, kuriam trūksta kokių nors dalių ar buvo pakeistos ne pagal specifikacijas.
- Įrenginį naudokite tik tiems tikslams, kuriems jis yra skirtas.

Bendrosios darbo instrukcijos

SVARBU!

Šiame skyrelyje aprašomos pagrindinės šepčio naudojimo saugos taisyklės.

Jei tam tikroje situacijoje nežinosite kaip pasielgti, pasiklauskite specialisto. Kreipkitės į pardavėją ar aptarnavimo dirbtuves.

Nedirbkite darbo, kurio nemokate ar jaučiatės nepakankamai kvalifikuotas.

Esminės saugumo taisyklės

Apsidairykite aplink:

- Ar šalia nėra žmonių, gyvulių ar kt., kas galėtų trukdyti jūsų darbui šiuo įrenginiu.
 - Siekiant užtikrinti, kad pirmiau nurodyti daiktai ar asmenys nerizikuoja prisiliesti prie šepčio ar palaidų daiktų, kurie gali būti išsviesti iš jo.
 - PASTABA! Niekada nenaudokite įrenginio, jei nelaimės atveju nebūtų kaip iškviešti pagalbą.
- 1 Nenaudokite gamtinio blogu oru. Pavyzdžiui, esant tirštam rūkui, smarkiai lyjant, pučiant stipriam vėjui, per didelius šalčius ir t. t. Darbas per šalčius vargina, be to, dažnai padidina rizikos faktorius, pvz., apledėjusi žemė.
 - 2 Apžiūrėkite, ar jūsų darbo vietoje nėra kliūčių.
 - 3 Perkeliant įrenginį, būtina išjungti variklį.
 - 4 Neišjungę variklio niekada nedėkite įrenginio ant žemės, jei Jūs jo nematote.

SAUGOS INSTRUKCIJOS

Pagrindiniai darbo principai

- Visuomet pasitikrinkite, ar Jūs turite saugią ir tvirtą atramą kojom.



- Įrenginį visada laikykite abejomis rankomis. Įrenginį laikykite prie kūno.
- Įsitinkite, ar veikiant varikliui, rankos ir kojos nėra šalia šepčio.
- Išjungę variklį rankas ir kojas laikykite atokiau nuo šepčio, kol jis visiškai sustos.
- Padirbus kurį laiką atleiskite akseleratoriaus gaiduką, kad variklis suktųsi laisva eiga. Ilgalaikis variklio darbas pilnu pajėgumu be apkrovimo (t. y. be pasipriešinimo, kurį variklis patiria per pjovimo įrangą dirbant įranginiu) gali rimtai pakenkti varikliui.
- Jei padidėja vibracija, išjunkite įrenginį. Nuimkite degimo kabelį nuo žvakės. Patikrinkite, ar įrenginys nesugedo. Pašalinkite gedimą.



PERSPĖJIMAS! Perspėjimas dėl išmetamų daiktų. Visada nešiokite apsauginius akinius Niekada nesulenkite šepčio būgno. Akmenys, šiukšlės ir t. t. gali pataikyti į akis ir apakinti ar sukelti rimtas traumas. Neprisileiskite artyn pašalinių. Vaikai, gyvuliai, stebėtojai ir padėjėjai turi būti nutolę saugiu 15 m atstumu. Tuoj pat sustabdykite įrenginį, jei kas nors artinasi. Dirbant pavara įkaista ir paskui kurį laiką gali būti įkaitusi. Todėl nesilieskite, nes yra pavojus nusideginti.

- Kai šepetys remiasi į paviršius, variklį paleiskite visa galia (arba beveik visa).

Dirbant laikyti šepetį pakeltą virš paviršiaus yra sunku ir nebūtinu.

- Valydami siaurus paviršius, pvz., takus, mašiną galima naudoti taip, kad medžiagos būtų išmetamos tiesiai prieš jus. Jei norite dirbti ant platesnių paviršių, gali tekti dirbti tokiu kampu, kad vienoje pusėje susidarytų krūva. Krūveles, sudarytas iš lengvų medžiagų, galima surinkti į

eilę ar didesnę krūvą ir vėliau surinkti, o kietas ar stambesnes medžiagas gali tekti surinkti į kelias krūvas.



Jei norite pasiekti kampus, nuimkite apsaugą nuo taškymo, atsukite priedo jungtį ir pasukite jį pusę apsisukimo.



PERSPĖJIMAS! Šiukšlės tuomet bus išmetamos link naudotojo. Mašinai judant atgal, nustatykite mažesnę greitį ir atminti, kad lengva užvažiuoti ant išmetamų medžiagų.

SAUGOS INSTRUKCIJOS

- Palaikykite mažą darbo kampą. Dirbdami didesniu kampu galite prarasti valdymą.

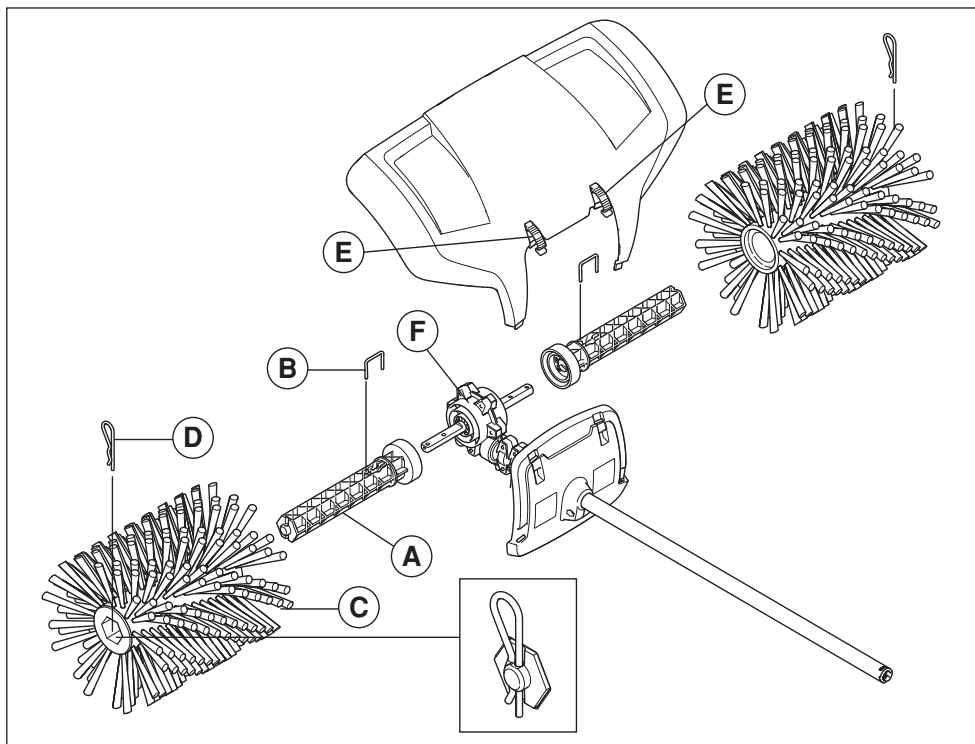


PERSPĖJIMAS! Mažas darbo kampas turi būti paviršiuje. Per didelis darbo kampas reiškia, kad šepetys linkęs judėti link jūsų, todėl rizikuojate prarasti mašinos valdymą.

Paleidus šepetį, šepetio būgnai gali suktis. Užvesdami tvirtai laikykite mašiną. Stebėkite daiktus, galinčius apsvyrioti ar būti išmestiems iš besisukančių šepetio būgnų.

Nors šepetio būgnai neturi tokios jėgos, kaip vejamųjų peiliai, tačiau turėtumėte vengti daiktų, kurie išsviesti gali sužaloti ar apgadinti turtą.

SURINKIMAS



Šepečio priedo montavimas

- 1 Užspauskite vieną būgno ašį (A) ant vienos iš dviejų varančiųjų velenų, kyšančių iš pavaros korpuso (F). Jei reikia, pasukite būgno ašį taip, kad kaiščio kiaurymė būtų virš atitinkamos kiaurymės, esančios varančiajame veline.
- 2 Ritinio veleną užfiksukite fiksavimo kaiščiu (B).
- 3 Užmaukite vieną šepečio veleną (C) ant sumontuoto veleno. Spauskite ritinį, kol jis sustos.
- 4 Ritinį ant veleno pritvirtinkite pleištinio kaiščiu (D). Montuodami šiek tiek paspauskite galą.
- 5 Pakartokite šiuos veiksmus montuodami ašį ir ritinį priešingoje pusėje.
- 6 Spaustukais (E) pritvirtinkite apsaugą.
- 7 Kaip ant bazinės mašinos sumontuoti priedus, žr. bazinės mašinos instrukcijoje.

Techninės priežiūros grafikas

Toliau pateikiamos bendros priežiūros instrukcijos. Dėl papildomos informacijos kreipkitės į aptarnavimo centrą.

SVARBU!

Su šepėčiu dažnai dirbama dulkių aplinkoje. Labai svarbu reguliariai, dažnai kasdien, atlikti oro filtro techninę priežiūrą. Kad veiktų patenkinamai, oro filtrą reikia sutepti.

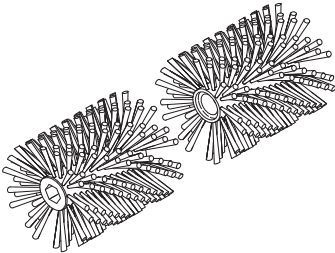
Techninės priežiūros instrukcijų ieškokite gaminio naudojimo instrukcijoje.

Kiekvieną dieną



PERSPĖJIMAS! Padirbus su įrenginiu, pavara įkaista. Nelieskite pavaros norėdami išvengti nudegimo žaizdų.

- Patikrinkite, ar varikliui sukantis laisvą eiga, nesisuka šepėčio būgnai.



- Patikrinkite, ar šepėčio būgnai nėra pažeisti ar įtrūkę. Jei reikia, pakeiskite šepėčio būgnus.
- Ilgą laiką saugokite šepetį pakabinę.

Gabenimas ir laikymas

- Noredami traktoriuką pervežti, visada naudokite pripažintas fiksavimo priemones ir pasirupinkite, kad jis būtų saugiai pritvirtintas.
- Jei įrenginiu nesiruošiate naudotis ilgesnį laiko tarpą, užtikrinkite, kad jis būtų gerai išvalytas ir jam atliktas pilnas aptarnavimas.

TECHNINIAI DUOMENYS

Techniniai duomenys

Techniniai duomenys

Šepetys **BR600**

Šepečio būgno plotis, mm 597

Šepečio būgno skersmuo, mm 270

Svoris

Svoris, kg 5,5

Triukšmo emisijos

(žr. pastabą 1)

Garso stiprumo lygis, išmatuotas dB(A) 105

Garso stiprumo lygis, garantuotas L_{WA} dB(A) 109

Garso lygiai

(žr. 2 pastabą)

Tolygus garso spaudimo lygis ties naudotojo ausimis išmatuotas pagal EN ISO 22868, dB(A): 96

Vibracija

(žr. 3 pastabą)

Ekvivalentiškai rankenų vibracijos lygiai ($a_{hv,eq}$), išmatuoti pagal EN ISO 22867, m/s^2

Priekinė / galinė rankena: 3,7/6,2

1 pastaba. Matuota su Husqvarna patvirtintais priedais. Triukšmo emisija į aplinką išmatuota kaip garso stiprumas (L_{WA}) pagal EB direktyvą 2000/14/EG. Pateiktas įrenginio garso stiprumo lygis buvo išmatuotas naudojant didžiausią garsą sukeltantį originalų pjovimo įtaisą. Skirtumas tarp garantuojamojo ir matuojamojo garso stiprumo yra tas, kad pagal Direktyvą 2000/14/EB garantuojamasis garso stiprumas apima ir matavimo rezultatų sklaidą bei nukrypimus tarp skirtingų to pačio modelio įrenginių.

2 pastaba. Matuota su Husqvarna patvirtintais priedais. Pateikti duomenys apie ekvivalentišką įrenginio triukšmo slėgio lygį yra su 1 dB (A) tipiška statistine sklaida (standartiniu nuokrypiu).

3 pastaba. Matuota su Husqvarna patvirtintais priedais. Pateikti ekvivalentiško vibracijos lygio duomenys yra su 1 m/s^2 tipiška statistine sklaida (standartiniu nuokrypiu).

EB atitikties patvirtinimas (galioja tik Europoje)

Husqvarna AB, SE-561 82 Huskvarna, Sweden (Švedija), tel. +46-36-146500 pareiškia, kad šluojamosios mašinos priedas **Husqvarna BR600 / Jonsered BR600** atitinka šios TARYBOS DIREKTYVOS reikalavimus:

- 2006 m. gegužės 17 g. direktyva **2006/42/EB** "dėl mašinų".

Taikyti šie standartai: **SS-EN ISO 12100:2010**

SMP Svensk Maskinprovning AB, Box 7035, SE-750 07 Uppsala, Švedija, atliko savanorišką tipo kontrolę Husqvarna AB prašymu.

Ši įranga turi būti naudojama tik kartu su atitinkamais valymo pjūklais/trimeriais, žr. dalį pažymėta „Patvirtinta įranga“ skyriuje „Techniniai duomenys“ mašinos naudojimo instrukcijoje. Sertifikatų numeriai: **SEC/15/2412** – BR600

Huskvarna, 2015 m. vasario 18 d.



Per Gustafsson, Vystymo vadovas (Igaliotas Husqvarna AB atstovas ir atsakingas už techninę dokumentaciją.)

VYSVĚTLENÍ SYMBOLŮ

Symbols

VÝSTRAHA!

Při nesprávném nebo neopatrném použití se zamačák může stát nebezpečným nástrojem, který může obsluhu nebo dalším osobám způsobit závažný nebo smrtelný úraz. Je mimořádně důležité, abyste si prostudovali tento návod k obsluze a pochopili jeho obsah.

Než začnete stroj používat, prostudujte si, prosím, pečlivě návod k použití a ubezpečte se, že jste dokonale pochopili pokyny v něm uvedené.

Vždy používejte:

- Ochranná přilba tam, kde hrozí nebezpečí padajících předmětů
- Schválenou ochranu sluchu
- Schválená ochrana očí
- V prašném prostředí musí být používána obličejová maska (respirátor).

Tento výrobek vyhovuje platným předpisům CE.

Uživatel stroje je povinen dohlédnout na to, aby se během práce nevyskytovala žádná osoba nebo zvíře v okruhu 15 metrů od stroje.

Vždy používejte schválené ochranné rukavice.

Používejte pevnou neklouzavou obuv.

Všechny části těla udržujte mimo dosah horkých povrchů.

Varování: rotující části. Udržujte ruce a nohy mimo dosah.



Pozor na odvržené a odražené předměty.

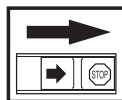


Emise hluku do okolí dle direktivy Evropského společenství. Emise stroje je udána v kapitole Technické údaje a na nálepe.

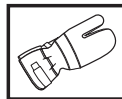


Další symboly / štítky na zařízení se týkají zvláštních certifikačních požadavků pro určité obchodní trhy.

Motor se vypne tak, že se vypínač nastaví do polohy vypnuto. **VAROVÁNÍ!** Vypínač se automaticky vrátí do výchozí polohy. Abyste se při montáži, kontrole a/nebo údržbě vyhnuli nezamýšlenému nastartování je nutno vždy odejmout rozbušku od zapalovací svíčky.



Vždy používejte schválené ochranné rukavice.



Vizuální kontrola.



Obsah

VYSVĚTLENÍ SYMBOLŮ

Symboly 142

OBSAH

Obsah 143

Před startováním nezapomínejte na následující: 143

CO JE CO?

Přehled součástí zametače 144

BEZPEČNOSTNÍ PŘEDPISY

Bezpečnostní vybavení stroje 145

Osobní ochranné pomůcky 145

Obecná bezpečnostní opatření 146

Obecné pracovní pokyny 146

MONTÁŽ

Montáž příslušenství zametače 149

ÚDRŽBA

Schema technické údržby 150

TECHNICKÉ ÚDAJE

Technické údaje 151

ES Prohlášení o shodě 151

Před startováním nezapomínejte na následující:

Než začnete stroj používat, prostudujte si, prosím, pečlivě návod k použití a ubezpečte se, že jste dokonale pochopili pokyny v něm uvedené.

Tento návod je pouze doplňkem obsáhlejšího návodu k obsluze stroje, který je dodáván se strojem. Pokyny o zacházení se strojem naleznete v návodu k obsluze stroje.

Společnost Husqvarna AB se řídí strategií neustálého vývoje výrobku a proto si vyhrazuje právo měnit konstrukci a vzhled výrobků bez předchozího upozornění.

Dlouhodobé vystavování působení hluku může vést k trvalému poškození sluchu. Proto vždy používejte schválenou ochranu sluchu.



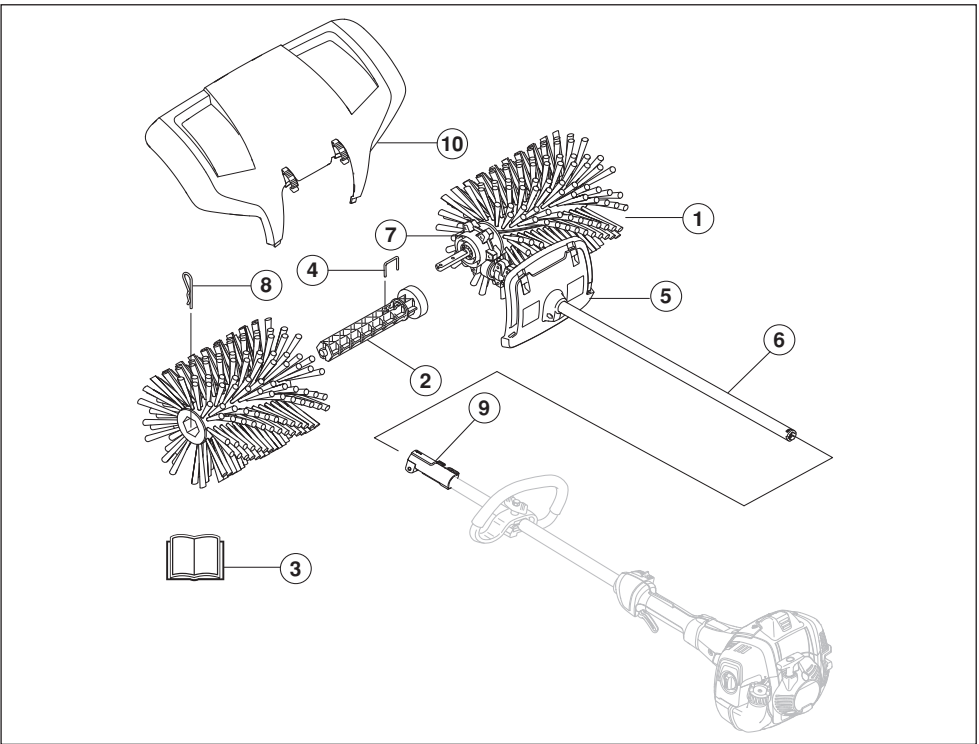
VÝSTRAHA! Konstrukce zařízení nesmí být za žádných okolností upravována bez svolení výrobce. Vždy používejte originální příslušenství. Nepovolené úpravy a/nebo příslušenství může vést k vážnému nebo smrtelnému zranění obsluhy nebo jiných osob.



VÝSTRAHA! Tato příslušenství lze používat pouze v kombinaci s určitými modely křovinořezů/vyžínačů. Informaci o vhodném příslušenství naleznete v návodu k obsluze stroje, v kapitole „Technické parametry“, pod rubrikou „Schválené příslušenství“.

Stroj je určen pouze pro zametání chodníků, asfaltových cest a podobných povrchů.

CO JE CO?



Přehled součástí zametače

- | | | | |
|---|---------------------------|----|---|
| 1 | Válec kartáče | 6 | Trubka hřídele |
| 2 | Hřídel válce | 7 | Skříň převodovky |
| 3 | Návod k použití | 8 | Závlačka |
| 4 | Pojistný čep | 9 | Spoj trubky hřídele (Patří k základnímu stroji) |
| 5 | Kryt (ochrana na hřídeli) | 10 | Ochranný kryt |

BEZPEČNOSTNÍ PŘEDPISY

Bezpečnostní vybavení stroje

Tato část popisuje bezpečnostní vybavení stroje, jeho účel a způsob, kterým by se měla provádět kontrola a údržba, aby byla zajištěna jeho správná funkce. Pokud chcete zjistit, kde je toto vybavení na stroji umístěno, prostudujte si část Co je co?

Životnost stroje se může zkracovat a riziko úrazů zvyšovat, jestliže se údržba stroje neprovádí správně anebo se opravy neprovádějí odborně. Pokud potřebujete další informace, obraťte se na nejbližší servisní dílnu.



VÝSTRAHA! Nikdy nepoužívejte stroj, jehož bezpečnostní vybavení je poškozené! Kontrolu a údržbu bezpečnostního vybavení stroje je nutno provádět podle postupů uvedených v této části textu. V případě, že by stroj nevyhověl při jakékoli z těchto kontrol, je nutno vyhledat autorizované servisní středisko a nechat závadu odstranit.



VÝSTRAHA! Před prováděním práce na jakémkoli dílu příslušenství vždy zastavte motor. Může se pohybovat i po uvolnění plynu. Před začátkem práce zkontrolujte, zda se zcela zastavilo příslušenství, a odpojte vysokonapěťové kabely od zapalovací svíčky.

Osobní ochranné pomůcky



VÝSTRAHA! Při každém použití stroje je nutné používat schválené osobní ochranné pomůcky. Osobní ochranné pomůcky nemohou vyloučit nebezpečí úrazu, ale sníží míru poranění v případě, že dojde k nehodě. Požádejte svého prodejce o pomoc při výběru správného vybavení. Než začnete stroj používat, prostudujte si, prosím, pečlivě návod k použití a ubezpečte se, že jste dokonale pochopili pokyny v něm uvedené.



VÝSTRAHA! Je nutné dát vždy pozor na výstražné signály nebo volání, používáte-li ochranu sluchu. Sejměte vždy ochranu sluchu ihned po zastavení motoru.

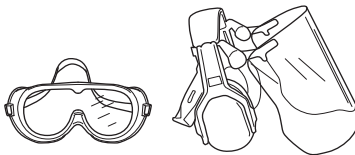
- V případě potřeby použijte rukavice.



- Použijte ochranu sluchu s dostatečným tlumícím účinkem.



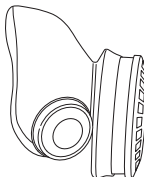
- Použijte vždy schválenou ochranu očí. Použijete-li vizír je nutno použít i schválené ochranné brýle. Schválené ochranné brýle jsou takové, které odpovídají standardu ANSI Z87.1 pro USA nebo EN 166 pro státy EU. Části větříků nebo předměty vymrštěné proudem vzduchu mohou poranit vaše oči.



- Používejte pevnou neklouzavou obuv.



- Vždy používejte pevné dlouhé kalhoty, boty, rukavice a triko s dlouhým rukávem. Za účelem snížení nebezpečí poranění při vtažení předmětů do rotujících částí, nepoužívejte volné oblečení, šátky, šperky atd. Zajistěte, aby se vaše vlasy nedostaly pod úroveň ramen.
- V prašném prostředí musí být používána obličejová maska (respirátor).



- Vždy mějte po ruce soupravu pro poskytování první pomoci.



Obecná bezpečnostní opatření

UPOZORNĚNÍ!

Stroj používejte pouze k tomu účelu, ke kterému je určen. Stroj je určen pouze pro zametání chodníků, asfaltových cest a podobných povrchů.

Nikdy nepoužívejte stroj, jste-li unaveni, jestliže jste požili alkohol nebo jestliže užíváte léky, které by mohly ovlivnit váš zrak, úsudek nebo pohybovou koordinaci.

Používejte osobní ochranné prostředky doporučené v návodu pro základní stroj. Při výběru správných ochranných prostředků požádejte o pomoc prodejce.

Nikdy nepoužívejte stroj, jehož konstrukce byla jakkoli pozměněna oproti jeho původním specifikacím.

Nepoužívejte nikdy stroj za zvláště nepříznivých podnebních podmínek, jako např. za velkého mrazu nebo v horkém a/ nebo vlhkém podnebí.

Nikdy nepoužívejte stroj, který není zcela v pořádku. Dodržujte pokyny pro kontroly, údržbu a servis popsané v této příručce. Některé úkony údržby a opravy mohou provádět pouze vyškolení a kvalifikovaní odborníci. Viz pokyny v části Údržba.

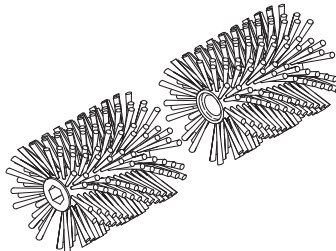
- Nedovolte dětem používat stroj.
- Uživatel stroje je povinen dohlédnout na to, aby se během práce nevyskytovala žádná osoba nebo zvíře v okruhu 15 metrů od stroje.
- Nedovolte pracovat se strojem nikomu, kdo si předem nepřerečetl a neporozuměl obsahu návodu k použití.

Bezpečnostní pokyny před startováním



- Držte nepovolné osoby mimo pracovní plochu. Děti, zvířata, diváci a pomocníci se musí nacházet mimo bezpečnostní zónu 15 m od stroje. Jakmile se někdo blíží okamžitě stroj vypněte.
- Před započatím práce zkontrolujte celý stroj. Vyměňte všechny poškozené díly. Zkontrolujte těsnost palivové soustavy a zda jsou všechny kryty a poklopy kompletní a dostatečně upevněny. Zkontrolujte všechny šrouby a matice.

- Zkontrolujte, zda nejsou válce kartáče poškozené a zda nevykazují známky popraskání nebo jiného poškození.



Při startování za studena:

- Nechte základní stroj zahřát a vypněte jej.
- Namontujte příslušenství podle montážních pokynů.
- Při nastavování karburátoru je nutné přitlačit kartáč k zemi. V těsné blízkosti se nesmí vyskytovat žádné další osoby.
- Zkontrolujte, zda se válce kartáče volně otáčejí.
- Zkontrolujte, zda je držadlo a bezpečnostní díly stroje v dobrém provozním stavu. Nikdy nepoužívejte stroj, kterému chybí díly nebo byl upraven a vymyká se původním specifikacím.
- Stroj používejte pouze k tomu účelu, ke kterému je určen.

Obecné pracovní pokyny

UPOZORNĚNÍ!

Tento oddíl popisuje základní bezpečnostní pravidla pro práci s kartáčem.

Dostanete-li se do situace, kdy pocítíte jakoukoliv pochybnost co do práce s vybavením, požádejte o radu odborníka. Spojte se s vaším prodejcem nebo servisem.

Nepoužívejte vybavení, necítíte-li se dostatečně kvalifikovaní.

Základní bezpečnostní pravidla

Sledujte své okolí:

- Abyste zabezpečili, že žádní lidé, zvířata ani nic jiného nemůže ovlivnit vaši kontrolu nad strojem.
 - Aby bylo zajištěno, že výše uvedení nepřijdou do styku se zametačem ani odmrštěnými předměty.
 - **VAROVÁNÍ!** Nikdy nepracujte se strojem, nemáte-li možnost přivolat pomoc v případě nehody.
- 1 Nepoužívejte motorový foukač za špatného počasí, jako např. v husté mlze, prudkém dešti, silném větru, silném mrazu apod. Práce za nepříznivého počasí je únavná a často s sebou nese zvýšené nebezpečí, jako např. kluzkou půdu.
 - 2 Ujistěte se, že se můžete volně pohybovat a bezpečně stát.
 - 3 Před přemístěním stroje musí být motor vypnutý.
 - 4 Nikdy neodkládejte stroj, který je v chodu, aniž byste jej měli pod plnou kontrolou.

BEZPEČNOSTNÍ PŘEDPISY

Hlavní principy činnosti

- Vždy dbejte na to, abyste při práci pevně a stabilně stáli.



- K přidržování stroje vždy používejte obě ruce. Stroj držte po straně svého těla.
- Vaše ruce ani nohy se nesmí přiblížit ke kartáči, když je motor v chodu.
- Po vypnutí motoru se nepřibližujte rukama ani nohama ke kartáči, dokud se zcela nezastaví.
- Po každém pracovním úkonu nechte motor jít na volnoběh. Je-li motor po delší dobu v chodu nezatížený a na plný plyn (tj. bez odporu, kterým je motor zatěžován řezným vybavením během práce se strojem) je nebezpečí jeho vážného poškození.
- Projeví-li silné vibrace, zastavte stroj. Sejměte kabel zapalování ze svíčky. Zkontrolujte, zda stroj není poškozen. Případná poškození opravte.



VÝSTRAHA! Dávejte pozor na odmrštěné předměty. Vždy noste ochranu očí. Nikdy se nenaklánějte nad válec kartáče. Kamínky, smetí a podobné materiály by mohly zasáhnout vaše oči a způsobit vážné zranění. Držte nepovolané osoby mimo pracovní plochu. Děti, zvířata, diváci a pomocníci se musí nacházet mimo bezpečnostní zónu 15 m od stroje. Jakmile se někdo blíží okamžitě stroj vypněte. Převodovka se může během použití zahřát a může zůstat horká i po vypnutí stroje. Při kontaktu by mohlo dojít k popálení.

- Nechte stroj běžet na plný plyn (nebo téměř plný plyn) s kartáčem položeným na zemi.

Je zbytečné a navíc unavující zdvihat nebo držet při práci kartáč nad zemí.

- Při čištění úzkých ploch, jako jsou chodníky, je možné kartáč použít tak, že bude materiál odhazován přímo před vás. Pokud chcete zametat na širších plochách, měli byste pracovat pod úhlem, aby se pruhy materiálu tvořily na jedné straně. Pruhy z lehkého materiálu lze nahnout do jedné řádky nebo na jednu hromadu a později je odebrat,

zatímco hrubší materiál může být nezbytně nahromadit v několika pruzích.



Pokud se chcete dostat do rohů, sejměte lapač nečistot, povolte spojku příslušenství a otočte příslušenstvím o půl otáčky.



VÝSTRAHA! Smetí pak bude odhozeno směrem k uživateli. Po obrácení stroje použijte nízké otáčky a mějte na paměti, že můžete o odhozený materiál snadno zakopnout.

BEZPEČNOSTNÍ PŘEDPISY

- Udržujte malý pracovní úhel. Příliš velký pracovní úhel může způsobit, že ztratíte kontrolu nad strojem.

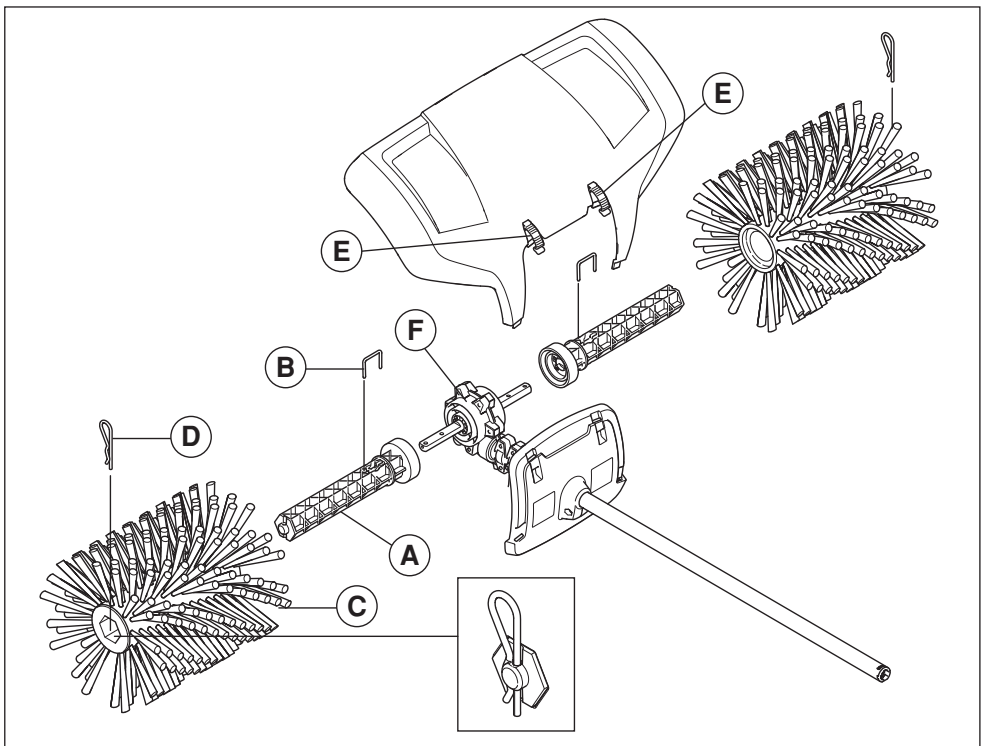


VÝSTRAHA! Udržujte malý pracovní úhel k povrchu. Příliš velký pracovní úhel může způsobit, že bude mít zametač tendenci pohybovat se směrem k vám a můžete ztratit kontrolu nad strojem.

Válce kartáče se mohou začít po nastartování zametače otáčet. Při startování držte stroj pevně. Dávejte pozor na předměty, které se mohou zamotat do rotujících válců kartáče nebo jimi být odmrštěny.

Přestože nemají válce kartáče stejnou sílu jako například žací nože sekačky, měli byste se vyhnout práci s materiály, které mohou v případě odmrštění způsobit zranění osob nebo škody na majetku.

MONTÁŽ



Montáž příslušenství zametáče

- 1 Zatláče jednu hřídel válce (A) na jednu ze dvou výstupních hnacích hřídelí vycházejících ze skříňe převodovky (F). V případě potřeby otočte hřídel válce tak, aby otvor kolíku lícoval s odpovídajícím otvorem v hřídeli.
- 2 Upevněte hřídel válce pomocí pojistného čepu (B).
- 3 Nasadte jeden válec kartáče (C) na smontovanou hřídel. Zatláče válec do krajní polohy.
- 4 Upevněte válec na hřídeli pomocí pojistné závlačky (D). Při montáži mírně zatláče konec směrem dovnitř.
- 5 Opakujte tyto kroky při montáži hřídele a válce na opačné straně.
- 6 Namontujte lapač nečistot pomocí zacvakávacích úchytů (E).
- 7 Pokyny pro montáž příslušenství na základní stroj naleznete v návodu pro základní stroj.

Schema technické údržby

V následujících odstavcích najdete některé pokyny k provádění obecné údržby. Pokud potřebujete další informace, spojte se se servisem.

UPOZORNĚNÍ!

Práce se zametačem se často provádí v prašných podmínkách. Je proto mimořádně důležité provádět pravidelně údržbu vzduchového filtru, často i denně. Vzduchový filtr musí být napuštěný olejem, aby fungoval správně.

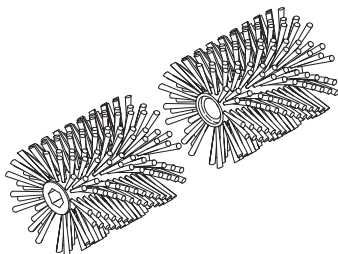
Pokyny ohledně údržby naleznete v návodu k používání příslušného produktu.

Denní údržba



VÝSTRAHA! Skříň převodovky se během provozu zahřívá. Nedotýkejte se skříňe převodovky, abyste se nespálili.

- Zkontrolujte, zda se válce kartáče neotáčejí při volnoběhu.



- Zkontrolujte, zda nejsou válce kartáče poškozené nebo prasklé. V případě potřeby válce kartáče vyměňte.
- Pokud má být kartáč dlouhodobě uskladněn, zavěste jej.

Přeprava a přechovávání

- Při eventuální přepravě na jiném vozidle používejte vždy schválené upínací zařízení a ujistěte se, zda je stroj řádně zajištěn.
- Před odstavením na delší dobu se ujistěte, že je stroj čistý a je zajištěn kompletním servisem.

TECHNICKÉ ÚDAJE

Technické údaje

Technické údaje

Zametač **BR600**

Šířka válce kartáče, mm	597
Průměr válce kartáče, mm	270

Hmotnost

Hmotnost, kg	5,5
--------------	-----

Emise hluku

(viz poznámka 1)

Hladina akustického výkonu, změřená dB(A)	105
---	-----

Hladina akustického výkonu, zaručená L_{WA} dB(A)	109
---	-----

Hladiny hluku

(viz poznámka 2)

Poměrná hladina tlaku zvuku u ucha uživatele, měřená dle EN ISO 22868, dB(A):	96
---	----

Vibrace

(viz poznámka 3)

Ekvivalentní hladiny vibrací ($a_{hv,eq}$) v rukojetích, měřené podle norem EN ISO 22867, v m/s^2

Přední/zadní rukojeti:	3,7/6,2
------------------------	---------

Poznámka 1: Měřeno spolu se schváleným příslušenstvím Husqvarna. Emise hluku do okolí naměřená jako efekt zvuku (L_{WA}) dle direktivy ES 2000/14/ES. Uváděná hladina akustického výkonu pro stroj byla měřena s originálním řezacím vybavením, které generuje nejvyšší hladinu. Rozdíl mezi garantovaným a měřeným akustickým výkonem je v tom, že garantovaný akustický výkon rovněž zahrnuje rozptyl výsledků měření a rozdíly mezi různými stroji téhož modelu podle Směrnice 2000/14/EC.

Poznámka 2: Měřeno spolu se schváleným příslušenstvím Husqvarna. Uváděná data pro ekvivalentní hladinu akustického tlaku pro stroj mají typickou statistickou odchylku (standardní odchylku) 1 dB (A).

Poznámka 3: Měřeno spolu se schváleným příslušenstvím Husqvarna. Uváděná data pro ekvivalentní hladinu vibrací mají typickou statistickou odchylku (standardní odchylku) 1 m/s^2 .

ES Prohlášení o shodě (Platí pouze pro Evropu)

Husqvarna AB, SE-561 82 Huskvarna, Švédsko, tel.: +46-36-146500, prohlašuje, že příslušenství zametače **Husqvarna BR600 / Jonsered BR600** vyhovuje požadavkům následujících SMĚRNIC RADY EVROPSKÉ UNIE:

- ze 17. května 2006 „týkající se strojních zařízení“ **2006/42/EC**.

Byly uplatněny následující standardní normy: **SS-EN ISO 12100:2010**

Provedením nepovinné typové kontroly byl firmou Husqvarna AB pověřen SMP Svensk Maskinprovning AB, Box 7035, SE-750 07 Uppsala, Švédsko.

Tato příslušenství lze používat pouze v kombinaci s určitými modely křovinořezů/vyžínačů. Informaci o vhodném příslušenství naleznete v návodu k obsluze stroje, v kapitole „Technické parametry“, pod rubrikou „Schválené příslušenství“. Čísla certifikátů jsou: **SEC/15/2412** – BR600

Husqvarna, dne 18. února 2015



Per Gustafsson, ředitel vývoje (Autorizovaný zástupce společnosti Husqvarna AB a odpovědný za technickou dokumentaci.)

KLÚČ K SYMBOLOM

Symbols

VAROVANIE!

Zametač môže byť nebezpečný nástroj, ak sa používa nesprávne alebo neopatrne, a môže spôsobiť vážne alebo smrteľné zranenie obsluhu alebo iným osobám. Je nanajvýš dôležité, aby ste si prečítali a porozumeli obsahu tohto návodu na obsluhu.

Prosím, prečítajte si pozorne tento návod na obsluhu a presvedčte sa, či pokynom pred používaním stroja rozumiete.

Vždy majte na sebe:

- Ochranná prilbu v prípade rizika padajúcich predmetov
- Schválené chrániče sluchu
- Schválenú ochranu očí
- V prašnom prostredí by sa mala používať dýchacia maska.

Tento výrobok spĺňa platné smernice EÚ.

Používateľ stroja musí počas jeho používania zaistiť, aby sa k stroju do vzdialenosti menšej ako 15 metrov nepriblížili žiadne osoby ani zvieratá.

Vždy používajte schválené ochranné rukavice.

Noste masívne nekĺzavé topánky.

Všetky časti tela udržiavajte mimo horúcich plôch.

Varovanie: rotujúce časti. Nepribližujte ruky a nohy.

Dávajte pozor na vymrštené predmety a spätné nárazy.



Hlukové emisie do okolia sú v súlade so smernicou Európskej únie. Emisie stroja sú stanovené v kapitole Technické údaje a na nálepke.

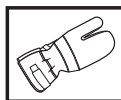
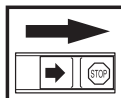


Ostatné symboly / emblémy na stroji odkazujú na zvláštne požiadavky certifikácie pre určité trhy

Motor sa vypne posunutím vypínača do polohy stop. NEZABUDNITE! Vypínač sa automaticky vráti do polohy štartovania. Kryt zapaľovacej sviečky treba pri montáži, kontrole a údržbe odmontovať zo sviečky, aby sa zabránilo náhodnému naštartovaniu.

Vždy používajte schválené ochranné rukavice.

Vizuálna kontrola.



Obsah

KLÚČ K SYMBOLOM

Symboly 152

OBSAH

Obsah 153

Pred naštartovaním dbajte na nasledovné: 153

ČO JE ČO?

Z čoho pozostáva zametač? 154

BEZPEČNOSTNY PRÍKAZ

Bezpečnostné vybavenie stroja 155

Osobné ochranné prostriedky 155

Všeobecné bezpečnostné opatrenia 156

Všeobecné pracovné pokyny 156

MONTÁŽ

Montáž príslušenstva zametača 159

ÚDRŽBA

Plán údržby 160

TECHNICKÉ ÚDAJE

Technické údaje 161

EÚ vyhlásenie o zhode 161

Pred naštartovaním dbajte na nasledovné:

Prosím, prečítajte si pozorne tento návod na obsluhu a presvedčte sa, či pokynom pred používaním stroja rozumiete.

Tieto pokyny dopĺňajú pokyny, ktoré boli dodané so strojom. Ďalšie postupy nájdete v pokynoch na obsluhu stroja.

Firma Husqvarna neustále vyvíja svoje výrobky a preto si vyhradzuje právo modifikovať dizajn a vzhľad výrobkov bez predchádzajúceho upozornenia.

Dlhodobé vystavenie hluku môže spôsobiť trvalé poškodenie sluchu. Vždy preto používajte schválené chrániče sluchu.



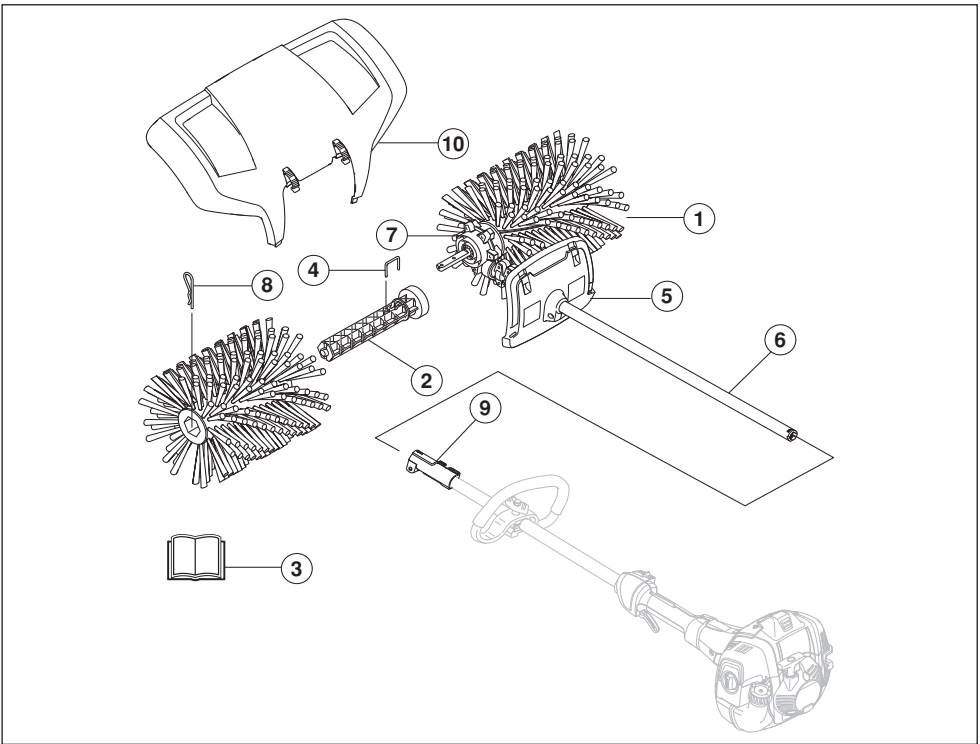
VAROVANIE! Za žiadnych okolností nemeňte pôvodnú konštrukciu stroja bez schválenia od výrobcu. Vždy používajte originálne náhradné diely. Nepovolené zmeny alebo príslušenstvo môžu viesť k vážnemu zraneniu alebo smrti obsluhy alebo ostatných osôb.



VAROVANIE! Toto príslušenstvo sa smie použiť výhradne s príslušnou čistiacou pílou/vyžínač, pozri časť "Schválené príslušenstvo" v kapitole Technické údaje v Operátorskej Príručke k stroju.

Tento stroj je určený výlučne na zametanie chodníkov, asfaltových ciest a podobne.

ČO JE ČO?



Z čoho pozostáva zametač?

- | | | | |
|---|----------------------------|----|---|
| 1 | Zametací valec | 6 | Hriadeľ |
| 2 | Os valca | 7 | Skríňa prevodovky |
| 3 | Návod na obsluhu | 8 | Závaľka |
| 4 | Poistný kolík | 9 | Hriadeľová spojka (patrí k základnému stroju) |
| 5 | Kryt (ochrana na hriadeľi) | 10 | Chránič proti postriekaniu |

BEZPEČNOSTNY PRÍKAZ

Bezpečnostné vybavenie stroja

Táto časť vysvetľuje rôzne bezpečnostné funkcie stroja, ako fungujú a základnú inšpekciu a údržbu, ktoré by ste mali vykonávať na zabezpečenie bezpečnej prevádzky. Pozrite si časť Čo je čo?, kde nájdete umiestnenie týchto častí na stroji.

Ak údržbu stroja nevykonávate správnym spôsobom a servis alebo opravy nevykonáva profesionál, môže sa skrátiť životnosť stroja a zvýšiť riziko nehôd. Ak chcete získať viac informácií, kontaktujte najbližší autorizovaný servis.



VAROVANIE! Nikdy nepoužívajte stroj, ktorý má chybné bezpečnostné súčasti. Bezpečnostné vybavenie stroja sa musí kontrolovať a udržiavať tak, ako je to popísané v tejto časti. Ak stroj neprejde všetkými kontrolami, doneste ho do autorizovaného servisu na opravu.



VAROVANIE! Pred prácou na akejkoľvek časti príslušenstva vždy vypnite motor. Môže sa ešte chvíľu pohybovať aj po uvoľnení plynu. Pred prácou s príslušenstvom zabezpečte, aby bol nástroj úplne zastavený, a odpojte vysokonapäťový kábel od zapalovacej sviečky.

Osobné ochranné prostriedky



VAROVANIE! Pri akomkoľvek používaní stroja musíte používať schválené osobné ochranné prostriedky. Osobné ochranné prostriedky nevylučujú riziko nehôd, ale môžu znížiť účinky zranenia v prípade nehody. Pri výbere správnych ochranných prostriedkov sa poraďte so svojim predajcom. Prosím, prečítajte si pozorne tento návod na obsluhu a presvedčte sa, či pokynom pred používaním stroja rozumiete.



VAROVANIE! Ak nosíte chrániče sluchu, dávajte pozor na varovné signály alebo výkriky. Chrániče sluchu si skladajte vždy hneď ako motor zastane.

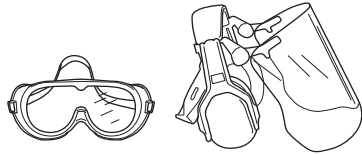
- V prípade potreby nosíte rukavice.



- Noste chrániče sluchu, ktoré zaručujú primeranú redukciu hluku.



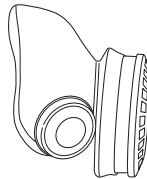
- Vždy nosíte schválené chrániče očí. Ak nosíte štít, musíte tiež nosiť schválené ochranné okuliare. Schválené ochranné okuliare musia zodpovedať norme ANSI Z87.1 platnej v USA alebo norme EN 166 platnej v krajinách EÚ. Pri fúkaní odletujú časti vetiev alebo iné predmety, ktoré môžu poškodiť váš zrak.



- Noste masívne neklzavé topánky.



- Vždy nosíte pevné, dlhé nohavice, čizmy, rukavice a košeľu s dlhým rukávom. Aby sa znížilo nebezpečenstvo poranenia z dôvodu vtiahnutia predmetov do rotujúcich častí, nenoste voľné oblečenie, šály, šperky atď. Vlasy si zopnite tak, aby boli nad úrovňou pliec.
- V prašnom prostredí by sa mala používať dýchacia maska.



- Majte vždy po ruke lekárničku.



BEZPECNOSTNY PRÍKAZ

Všeobecné bezpečnostné opatrenia

DÔLEŽITÉ!

Stroj používajte len na účel, na ktorý je určený. Tento stroj je určený výlučne na zametanie chodníkov, asfaltových ciest a podobne.

Nikdy nepoužívajte stroj pri únave, po požití alkoholu alebo liekov, pretože to môže viesť k zníženiu zrakovej schopnosti, schopnosti usudzovania, alebo telesnej rovnováhy.

Používajte osobné ochranné prostriedky odporúčané v návode k základnému stroju. Pri výbere správnych ochranných prostriedkov sa poraďte so svojím predajcom.

Nikdy nepoužívajte stroj na ktorá boli vykonané úpravy a nezhoduje sa s originálnym prevedením.

Nikdy nepoužívajte stroj za nepriaznivého počasia, napríklad pri veľkom mraze, vo veľmi horúcom alebo vlhkom podnebí.

Nikdy nepoužívajte poškodené zariadenie. Vykonávajte bezpečnostné kontroly, údržby a dodržiavajte servisné pokyny uvedené v tomto návode. Určité opatrenia týkajúce sa servisu a údržby zariadenia musia vykonávať iba odborníci. Pozrite si pokyny v časti Údržba.

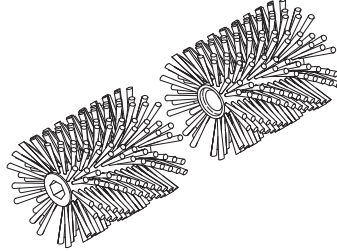
- Stroj nikdy nesmú používať deti.
- Používateľ stroja počas jeho používania zaistiť, aby sa k stroju do vzdialenosti menšej ako 15 metrov nepriblížili žiadne osoby ani zvieratá.
- Nikdy nedovoľte používať stroj inej osobe bez toho, aby ste sa najprv nepresvedčili, že táto porozumela obsahu operátorskej príručky.

Bezpečnostné pokyny pred začatím práce



- Neoprávnené osoby udržiavajte v bezpečnej vzdialenosti. Deti, zvieratá, diváci a pomocníci sa musia zdržiavať v bezpečnej vzdialenosti najmenej 15 m. Ak sa niekto priblíži bližšie, musíte stroj ihneď zastaviť.
- Skôr ako začnete, skontrolujte celý stroj. Vymeňte poškodené súčiastky. Skontrolujte, či neuniká palivo a či sú všetky bezpečnostné prvky a kryty nepoškodené a bezpečne pripevnené. Skontrolujte všetky matice a skrutky.

- Skontrolujte, či zametacie valce nie sú poškodené a nie sú na nich známky popraskania alebo iného poškodenia.



Pri štartovaní za studena:

- Zahrejte základný stroj a potom ho vypnite.
- Namontujte príslušenstvo podľa pokynov na montáž.
- Pri nastavovaní karburátora musia byť zametacie valce opreté o zem a v blízkosti nesmú byť žiadne osoby.
- Skontrolujte, či sa zametacie valce voľnobežne otáčajú.
- Skontrolujte, či sú rukoväť a bezpečnostné funkcie stroja v dobrom stave. Nikdy nepoužívajte stroj, ktorému chýba určitá časť alebo bol upravený inak, ako je uvedené v jeho špecifikáciách.
- Stroj používajte len na účel, na ktorý je určený.

Všeobecné pracovné pokyny

DÔLEŽITÉ!

Táto časť popisuje základné bezpečnostné pravidlá pre používanie kefy.

Ak si nie ste istí, ako ďalej postupovať, obráťte sa na odborníka. Kontaktujte svojho predajcu alebo servisnú dielňu.

Vyvarujte sa každému použitiu stroja, ktoré podľa vás presahuje vaše možnosti.

Základné bezpečnostné pravidlá

Pozrite sa okolo seba:

- aby ste sa presvedčili, či ľudia, zvieratá alebo ostatné veci nemôžu ovplyvniť vaše ovládanie stroja.
 - Uistite sa, že nič z vyššie uvedených nie je v ohrození kontaktu so zamačacom alebo voľnými odletujúcimi predmetmi.
 - **NEZABUDNITE!** Stroj smiete používať len v takom prípade, keď ste schopní privolať pomoc v prípade nehody.
- 1 Nepoužívajte stroj v nepriaznivých podmienkach, ako sú hustá hmla, silný dážď a vietor, krutá zima a podobne. Práca v nepriaznivom počasi je únavná a často prináša zvýšené nebezpečenstvo, ako je napr. klzká zem.
 - 2 Presvedčte sa, že dobre a pevne stojíte.
 - 3 Motor sa musí pred premiestňovaním stroja vypnúť.
 - 4 Nikdy neukladajte stroj v chode na zem, ak ho nemáte neustále pod dobrým dohľadom.

BEZPEČNOSTNÝ PRÍKAZ

Základné pracovné techniky

- Vždy zabezpečte, aby ste mali bezpečný a stabilný pracovný postoj.



- Stroj vždy držte oboma rukami. Stroj držte vedľa tela.
- Dávajte pozor, aby sa ruky a nohy nedostali do kontaktu s kefou, kým je zapnutý motor.
- Keď sa motor vypne, nepribližujte sa rukami ani nohami ku kefe, až kým sa úplne nezastaví.
- Po každej pracovnej operácii vždy prepnite motor na voľnobeh. Dlhý čas prevádzky na plný plyn bez zaťaženia motora (t. j. bez odporu, ktorým na motor pôsobí rezací nástroj počas používania stroja) môžu spôsobiť vážne poškodenie motora.
- Ak sa vyskytnú silné vibrácie, vypnite stroj. Odpojte kábel vysokého napätia od zapalovacej sviečky. Skontrolujte, či stroj nie je poškodený. Akékoľvek poškodenie opravte.



VAROVANIE! Dávajte pozor na odletujúce predmety. Vždy používajte chrániče očí. Nikdy sa nenahýbajte nad zametací valec. Kamene, úlomky, atď. môžu vyletieť do očí a spôsobiť stratu zraku alebo vážne poranenie. Neoprávnené osoby udržiavajte v bezpečnej vzdialenosti. Deti, zvieratá, diváci a pomocníci sa musia zdržiavať v bezpečnej vzdialenosti najmenej 15 m. Ak sa niekto priblíži bližšie, musíte stroj ihneď zastaviť. Prevod sa počas prevádzky môže zahriať a môže aj po použití zostať ešte chvíľu horúci. V prípade dotyku by ste sa mohli popáliť.

- Zariadenie používajte pri plnom plyne (alebo takmer plnom plyne) a s kefou položenou na danom povrchu.

Zdvíhať kefu pri práci nad povrch je únavné a zbytočné.

- Pri čistení úzkych povrchov, napríklad chodníkov, je možné zariadenie používať tak, že bude materiály vyhadzovať rovno pred vás. Ak chcete pracovať na širších povrchoch, možno bude potrebné pracovať šikmo, aby sa vytvárali pásy na jednej strane. Pásy s ľahkými materiálmi je možné zhrnúť do jedného radu alebo kopy a odstrániť

neskôr, kým tvrdé alebo väčšie materiály bude možno potrebné zhrnúť v niekoľkých pásoch.



Aby ste sa dostali do rohov, odpojte chránič proti prskaniu, uvoľnite spojku príslušenstva a otočte príslušenstvo o pol otáčky.



VAROVANIE! Odpad bude potom vyletovať dozadu smerom k používateľovi. Pri cúvaní so zariadením používajte nižšiu rýchlosť a nezabúdajte, že o materiály, ktoré vyletujú, môžete ľahko zakopnúť.

BEZPECNOSTNY PRÍKAZ

- Udržiavajte malý pracovný uhol. Pri práci pod veľkým uhlom môžete stratiť kontrolu nad strojom.

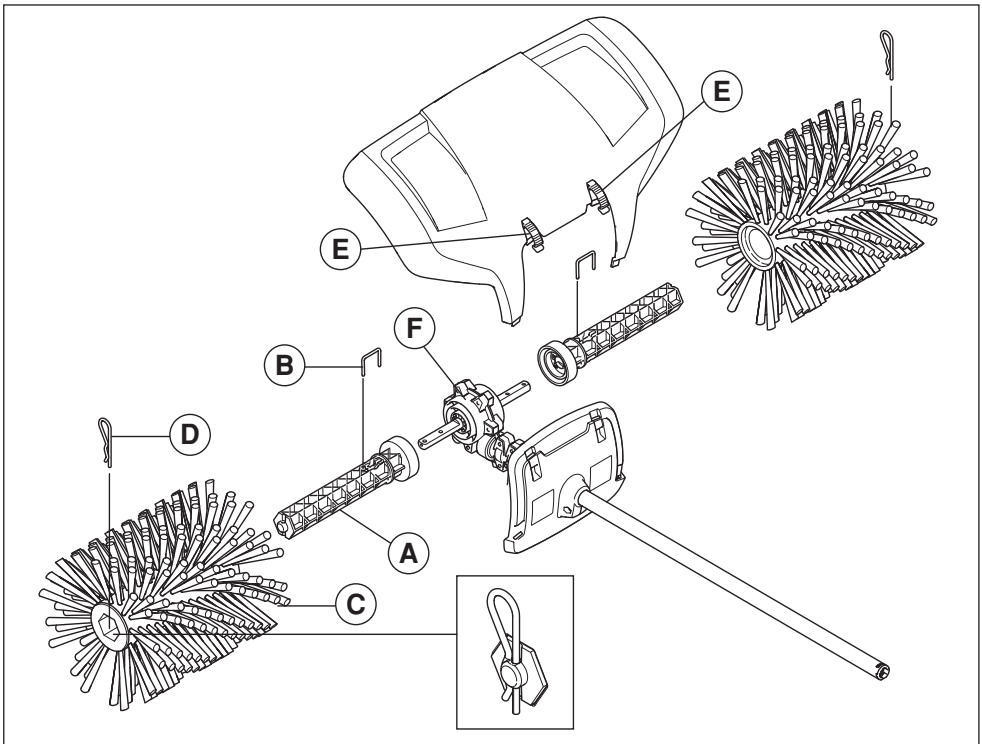


VAROVANIE! Udržiavajte malý pracovný uhol k povrchu. Pri príliš veľkom pracovnom uhle má zametač tendenciu pohybovať sa smerom k vám a riskujete, že stratíte nad strojom kontrolu.

Po naštartovaní zametača sa zametacie valce môžu otáčať. Pri štartovaní zariadenie pevne držte. Dávajte si pozor na predmety, ktoré sa môžu zachytiť v otáčajúcich sa zametacích valcoch alebo z nich vyletieť.

Aj keď zametacie valce nemajú takú silu ako napríklad nože kosačiek na trávnu, nepracujte s materiálmi, ktoré môžu pri vymrštení spôsobiť poranenie alebo vecné škody.

MONTÁŽ



Montáž príslušenstva zmetača

- 1 Natlačte jednu z osí valca (A) na jeden z dvoch vývodových hnacích hriadeľov vystupujúcich zo skrine prevodovky (F). V prípade potreby otočte os valca tak, aby sa otvor na kolík dostal nad zodpovedajúci otvor v hnacom hriadeľi.
- 2 Upevnite hriadeľ valca poistným kolíkom (B).
- 3 Nasadte jeden zo zmetacích valcov (C) na zmontovaný hriadeľ. Zatlačte valec až úplne na doraz.
- 4 Upevnite valec na hriadeľi pomocou klinového kolíka (D). Pri montáži jemne zatlačte koniec.
- 5 Zopakujte tieto kroky pri montáži osi a valca na opačnej strane.
- 6 Pomocou zacvakávacích príchytiek (E) nasadte chránič proti prskaniu.
- 7 Pred montážou príslušenstva na základný stroj si prečítajte návod k základnému stroju.

Plán údržby

Dole nájdete niektoré všeobecné pokyny ohľadom údržby. Ak chcete získať viac informácií, kontaktujte najbližšiu servisnú dielňu.

DŮLEŽITÉ!

Práca so zametačom sa často vykonáva v prašných podmienkach. Je mimoriadne dôležité starať sa pravidelne, často aj každý deň, o výmenu vzduchového filtra. Aby vzduchový filter správne fungoval, musí sa olejovať.

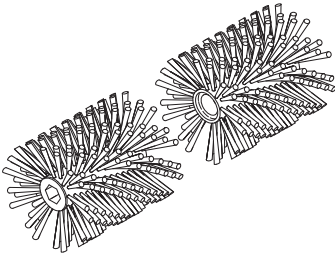
Pozrite si pokyny na údržbu v návode na obsluhu výrobku.

Denná údržba



VAROVANIE! Skriňa prevodovky sa počas používania stroja zohreje. Nedotýkajte sa skrine prevodovky, aby ste predišli popáleniu.

- Skontrolujte, či sa zamatacie valce pri voľnobehu neotáčajú.



- Skontrolujte, či zamatacie valce nie sú poškodené alebo popraskané. V prípade potreby zamatacie valce vymeňte.
- Pri skladovaní na dlhšie obdobie kefy zaveste.

Preprava a uchovávanie

- Ak prepravujete stroj na inom vozidle, vždy používajte schválené zabezpečovacie zariadenia a ubezpečte sa, že stroj je bezpečne upevnený.
- Pred dlhodobým skladovaním vykonajte kompletný servis a vyčistite stroj.

TECHNICKÉ ÚDAJE

Technické údaje

Technické údaje

Zametač **BR600**

Šírka zametacieho valca, mm 597

Priemer zametacieho valca, mm 270

Hmotnosť

Hmotnosť, Lbs/kg 5,5

Emisie hluku

(pozri poznámku 1)

Hladina akustického výkonu, meraná v dB(A) 105

Hladina akustického výkonu, garantovaná L_{WA} dB(A) 109

Hladiny hluku

(viď poznámka 2)

Ekvivalentná hladina akustického tlaku pri uchu používateľa meraná podľa normy EN ISO 22868, dB(A): 96

Vibrácie

(viď poznámka 3)

Ekvivalentná hladina vibrácií ($a_{hv,eq}$) na rukovätiach, meraná podľa normy EN ISO 22867, m/s^2 .

Predná/zadná rukoväť: 3,7/6,2

Poznámka 1: Merané spolu s príslušenstvom schváleným spoločnosťou Husqvarna. Emisie hluku do okolia sa merajú ako akustický výkon (L_{WA}) v súlade so smernicou EÚ 2000/14/ES. Uvádzaná hladina akustického výkonu pre stroj bola meraná s originálnym rezacím nástrojom, ktorý produkuje najvyššiu úroveň. Rozdiel medzi zaručeným a nameraným akustickým výkonom je, že zaručený akustický výkon zahŕňa aj rozptyl výsledkov merania a rozdiely medzi jednotlivými strojmi rovnakého modelu v súlade so smernicou 2000/14/ES.

Poznámka 2: Merané spolu s príslušenstvom schváleným spoločnosťou Husqvarna. Uvádzané údaje pre ekvivalentnú hladinu akustického tlaku majú typický štatistický rozptyl (štandardnú odchýlku) 1 dB (A).

Poznámka 3: Merané spolu s príslušenstvom schváleným spoločnosťou Husqvarna. Uvádzané údaje pre ekvivalentnú hladinu vibrácií majú typický štatistický rozptyl (štandardnú odchýlku) 1 m/s^2 .

EÚ vyhlásenie o zhode (Uplatňuje sa iba na Európu)

Spoločnosť **Husqvarna AB**, SE-561 82 Huskvarna, Švédsko, tel. +46-36-146500 vyhlasuje, že príslušenstvo zametacieho vozíka **Husqvarna BR600/Jonsered BR600** je v súlade s požiadavkami SMERNICE RADY:

- zo 17. mája 2006, „Smernica o strojoch“ **2006/42/EÚ**.

Boli uplatnené nasledovné normy: **SS-EN ISO 12100:2010**

SMP Svensk Maskinprovning AB, Box 7035, SE-750 07 Uppsala, Švédsko, vykonal dobrovoľnú typovú skúšku pre Husqvarna AB.

Toto príslušenstvo sa smie použiť výhradne s príslušnou čistiacou pílou/vyžinač, pozri časť "Schválené príslušenstvo" v kapitole Technické údaje v Operátorskej Príručke k stroju. Certifikáty majú čísla: **SEC/15/2412** - BR600

Huskvarna, 18. februára 2015



Per Gustafsson, Development manager (Oprávnený zástupca spoločnosti Husqvarna AB a zodpovedný za technickú dokumentáciu.)

ZNACZENIE SYMBOLI

Symbole

OSTRZEŻENIE!

W razie nieuważnego lub nieprawidłowego posługiwania się zamiarką może ona stać się niebezpiecznym narzędziem, mogącym spowodować poważne obrażenia lub śmierć użytkownika lub innych osób. Bardzo ważne jest przeczytanie i zrozumienie niniejszej instrukcji obsługi.



Przed przystąpieniem do pracy maszyną prosimy dokładnie i ze zrozumieniem zapoznać się z treścią niniejszej instrukcji.



Zawsze należy stosować:

- Kask ochronny, gdy zachodzi ryzyko uderzenia spadającymi przedmiotami
- Zatwierdzone ochronniki słuchu
- Zatwierdzona osłona oczu
- Ponieważ istnieje ryzyko powstawania kurzu, należy stosować środki ochrony dróg oddechowych.



Niniejszy produkt zgodny jest z obowiązującymi dyrektywami CE.



W czasie pracy użytkownik maszyny jest zobowiązany dopilnować, aby żadne osoby ani zwierzęta nie znajdował się bliżej niż w odległości 15 m.



Zawsze używaj zatwierdzonych rękawic ochronnych.



Używaj przeciwpoślizgowego, stabilnego obuwia wysokiego.



Trzymaj wszystkie części ciała z dala od powierzchni gorących.



Ostrzeżenie: części obrotowe. Ręce oraz stopy należy utrzymywać w odpowiedniej odległości.



Ostrzeżenie przed odrzucanymi i rykoszetującymi przedmiotami.

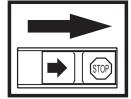


Emisja hałasu do otoczenia zgodna z dyrektywą Wspólnoty Europejskiej. Wartość emisji dla maszyny podana została w rozdziale Dane techniczne oraz na naklejce.



Pozostałe symbole/naklejki samoprzylepne umieszczone na maszynie dotyczą specjalnych wymogów, związanych z certyfikatami w poszczególnych krajach.

Silnik zostaje wyłączony w wyniku przestawienia wyłącznika w położenie "stop". UWAGA! Wyłącznik powraca samoczynnie w położenie "start".



Dlatego przed przystąpieniem do montażu, kontroli oraz/lub konserwacji należy zawsze zdejmować nasadkę ze świecy zapłonowej w celu zapobieżenia niezamierzonemu uruchomieniu silnika.

Zawsze używaj zatwierdzonych rękawic ochronnych.



Kontrola wzrokowa.



Spis treści

ZNACZENIE SYMBOLI

Symbol 162

SPIS TREŚCI

Spis treści 163

Przystępując do uruchomienia należy pamiętać o przestrzeganiu następujących zasad: 163

OPIS URZĄDZENIA

Opis elementów zbieracza 164

ZASADY BEZPIECZEŃSTWA

Zespoły zabezpieczające maszyny 165

Środki ochrony osobistej 165

Ogólne zasady bezpieczeństwa 166

Ogólne zasady pracy maszyną 166

MONTAŻ

Montaż akcesorium w postaci zamiatarki 169

KONSERWACJA

Plan konserwacji 170

DANE TECHNICZNE

Dane techniczne 171

Deklaracja zgodności WE 171

Przystępując do uruchomienia należy pamiętać o przestrzeganiu następujących zasad:

Przed przystąpieniem do pracy maszyną prosimy dokładnie i ze zrozumieniem zapoznać się z treścią niniejszej instrukcji.

Niniejsza instrukcja jest uzupełnieniem instrukcji obsługi załączonej do maszyny. Odnośnie nie omówionych poniżej czynności eksploatacyjno-obslugowych patrz instrukcja obsługi maszyny.

Husqvarna AB nieustannie modernizuje swoje wyroby, w związku z czym zastrzega sobie prawo do wprowadzania zmian dotyczących m.in. wyglądu produktów bez uprzedzenia.

Długotrwałe przebywanie w hałasie może doprowadzić do trwałej utraty słuchu. Dlatego należy zawsze stosować atestowane ochronniki słuchu.



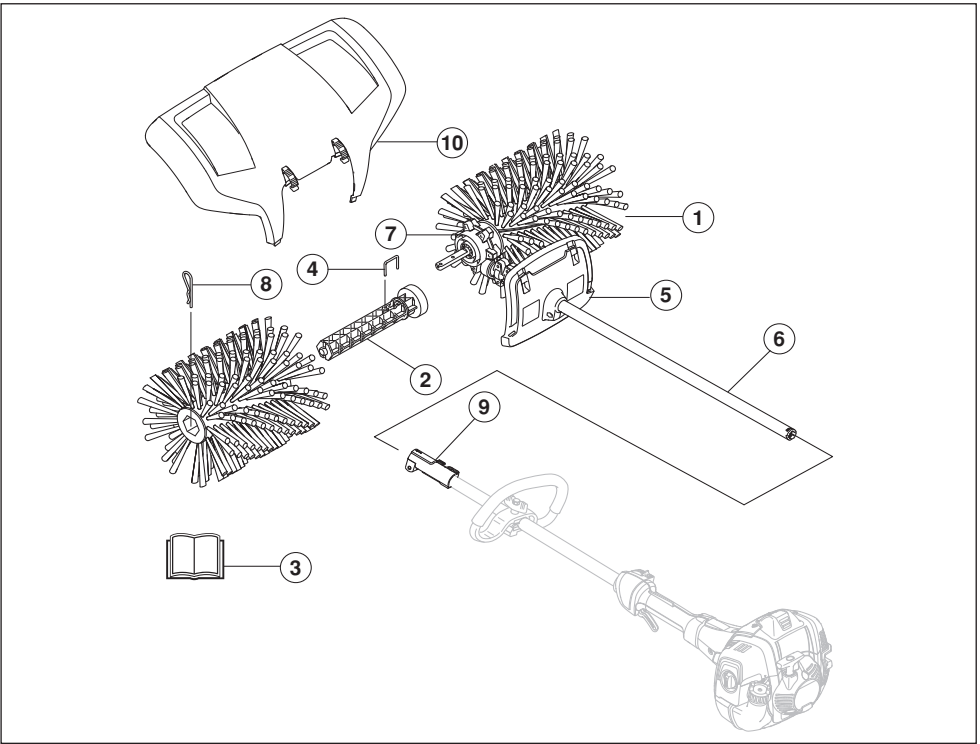
OSTRZEŻENIE! Pod żadnym pozorem nie wolno zmieniać ani modyfikować fabrycznej konstrukcji maszyny bez zezwolenia wydanego przez producenta. Zawsze należy używać wyłącznie oryginalnych części zamiennych. Samowolne wprowadzanie zmian oraz/ lub montowanie wyposażenia nie zatwierdzonego przez producenta może stać się przyczyną groźnych obrażeń lub śmierci obsługującego urządzenie bądź innych osób.



OSTRZEŻENIE! To urządzenie może być używane wyłącznie do tych typów wykaszarek, do których jest przeznaczone. Patrz instrukcja obsługi maszyny, rozdział „Dane techniczne” pod rubryką „Zatwierdzone akcesoria”.

Maszyna przeznaczona jest wyłącznie do usuwania zanieczyszczeń z trawników, ścieżek, drózek asfaltowych itp. poprzez nadmuch powietrza.

OPIS URZĄDZENIA



Opis elementów zbieracza

- | | | | |
|---|----------------------------------|----|---|
| 1 | Szczotka w kształcie walca | 6 | Wysięgnik |
| 2 | Oś szczotki | 7 | Obudowa przekładni |
| 3 | Instrukcja obsługi | 8 | Zawleczka |
| 4 | Kolek blokujący | 9 | Złącze wysięgnika (stanowi część maszyny zasadniczej) |
| 5 | Oslona (zabezpieczenie na wałku) | 10 | Oslona przeciwoodpryskowa |

ZASADY BEZPIECZEŃSTWA

Zespoły zabezpieczające maszyny

W niniejszym rozdziale przedstawiono poszczególne zespoły zabezpieczające maszyny, omówiono ich funkcję oraz sposoby ich kontrolowania i konserwacji w celu zapewnienia prawidłowego działania. Patrz rozdział Co jest co?, aby zapoznać się z rozmieszczeniem tych zespołów w pilarcze.

Jeżeli maszyna nie jest prawidłowo konserwowana i nie jest poddawana profesjonalnie wykonywanym naprawom oraz/lub obsłudgom technicznym, jej okres użytkowy jest krótszy oraz większe jest ryzyko wypadków. Jeżeli potrzebujesz więcej informacji, skontaktuj się z najbliższym warsztatem serwisowym.



OSTRZEŻENIE! Nigdy nie używaj maszyny z uszkodzonymi zespołami zabezpieczającymi. Zespoły zabezpieczające maszyny należy kontrolować i konserwować zgodnie z opisem w niniejszym rozdziale. Jeżeli Twoja maszyna nie spełnia jakiegokolwiek z warunków kontrolnych, należy ją oddać do serwisu.



OSTRZEŻENIE! Należy zawsze zatrzymać silnik przed rozpoczęciem pracy nad którąkolwiek częścią akcesorium. Jego elementy mogą się poruszać nawet po zwolnieniu przepustnicy. Przed rozpoczęciem pracy nad akcesorium należy upewnić się, że zatrzymało się ono całkowicie oraz odłączyć przewody wysokiego napięcia od świecy zapłonowej.

Środki ochrony osobistej



OSTRZEŻENIE! Podczas używania maszyny należy zawsze mieć na sobie zatwierdzone przez odpowiednie władze środki ochrony osobistej. Środki ochrony osobistej nie eliminują ryzyka odniesienia obrażeń, natomiast ograniczają ich rozmiar w razie zaistnienia wypadku. Poproś swojego dealera o pomoc w wyborze środków ochrony osobistej. Przed przystąpieniem do pracy maszyną prosimy dokładnie i ze zrozumieniem zapoznać się z treścią niniejszej instrukcji.



OSTRZEŻENIE! Mając założone ochronniki słuchu należy zawsze być szczególnie uważnym na sygnały i zawałania ostrzegawcze. Zdejmuj ochronniki słuchu zaraz po wyłączeniu silnika.

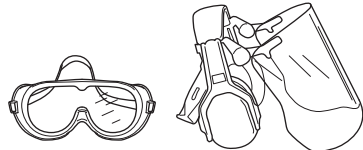
- Rękawice należy używać wtedy, kiedy to jest konieczne.



- Należy stosować ochronnik słuchu o wystarczających właściwościach tłumiących.



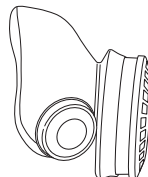
- Należy zawsze używać zatwierdzonych osłon oczu. Używając maski ochronnej twarzy, należy mieć na sobie także zatwierdzone okulary ochronne. Za zatwierdzone okulary ochronne uważane są takie, które są zgodne z normami ANSI Z87.1 dla USA lub EN 166 dla krajów UE. Uderzenie naprężoną gałęzią lub odrzuconym przez maszynę przedmiotem może doprowadzić do obrażeń oczu.



- Używaj przeciwpoślizgowego, stabilnego obuwia wysokiego.



- Należy zawsze nosić mocne, długie spodnie, buty, rękawice oraz koszulę z długim rękawem. Aby zmniejszyć ryzyko odniesienia obrażeń na skutek wciągnięcia obiektów pomiędzy obracające się części, nie należy nosić luźnej odzieży, szali, biżuterii itp. Włosy należy zabezpieczyć tak, by znajdowały się powyżej linii ramion.
- Ponieważ istnieje ryzyko powstawania kurzu, należy stosować środki ochrony dróg oddechowych.



ZASADY BEZPIECZEŃSTWA

- Apteczka pierwszej pomocy powinna znajdować się zawsze w pobliżu.



Ogólne zasady bezpieczeństwa

WAŻNE!

Używaj maszyny tylko zgodnie z jej przeznaczeniem. Maszyna przeznaczona jest wyłącznie do usuwania zanieczyszczeń z trawników, ścieżek, drózek asfaltowych itp. poprzez nadmuch powietrza.

Nie wolno pracować maszyną w stanie przemęczenia, po spożyciu alkoholu lub po przyjęciu leków osłabiających wzrok, zdolność oceny i koordynację.

Należy stosować środki ochrony osobistej zalecane w instrukcji obsługi maszyny zasadniczej. W celu doboru odpowiednich środków ochrony osobistej należy zwrócić się do dealera.

Nie wolno pracować maszyną przerobioną, odbiegającą od oryginału.

Nigdy nie używaj maszyny w ekstremalnych warunkach pogodowych i klimatycznych, np. przy bardzo dużym mrozie lub w bardzo gorącym lub/oraz wilgotnym klimacie.

Nie wolno używać maszyny, jeśli jest ona uszkodzona. Stosuj się do zaleceń dotyczących bezpieczeństwa, konserwacji i obsługi technicznej podanych w niniejszej instrukcji. Niektóre czynności konserwacyjne i serwisowe muszą być wykonywane przez przeszkolony i wykwalifikowany personel. Patrz wskazówki w części zatytułowanej "Konserwacja".

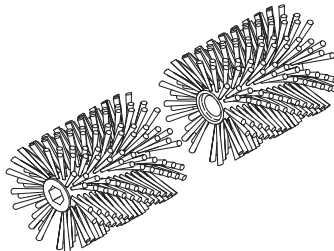
- Nigdy nie pozwalaj używać maszyny dzieciom.
- W czasie pracy użytkownik maszyny jest zobowiązany dopilnować, aby żadne osoby ani zwierzęta nie znajdowały się bliżej niż w odległości 15 m.
- Nigdy nie pozwalaj używać maszyny innej osobie nie upewniwszy się, że przyswoiła sobie ona treść Instrukcji obsługi.

Instrukcje bezpieczeństwa przed uruchomieniem



- Nie pozwól osobom nieupoważnionym przebywać w pobliżu. Dzieci, zwierzęta i obserwatorzy muszą znajdować się poza strefą zagrożenia, w bezpiecznej odległości, nie mniejszej niż 15 m. Wyłącz natychmiast maszynę, gdy ktoś się zbliża.

- Sprawdź całą maszynę przed uruchomieniem. Sprawdź, czy nie wycieka paliwo i czy wszystkie osłony i pokrywy są całe oraz dobrze zamocowane. Sprawdź wszystkie śruby i nakrętki.
- Sprawdź, czy szczotki nie są uszkodzone i czy nie ma na nich śladów pęknięć lub innych uszkodzeń.



Uruchamianie zimnego silnika:

- Przeprowadzić podstawowe uruchomienie maszyny, a następnie ją wyłączyć.
- Zamocować akcesorium zgodnie z instrukcją montażu.
- Podczas regulacji gaźnika należy upewnić się, że szczotki opierają się stabilnie o podłoże oraz że w pobliżu urządzenia nie przebywają żadne postronne osoby.
- Upewnić się, że szczotki pracują na biegu jałowym.
- Dopilnuj, aby uchwyt i zespoły zabezpieczające maszynę były zawsze w porządku. Nigdy nie używaj maszyny, w której brakuje jakichkolwiek części lub która została przerobiona i nie jest w zgodzie z opisem technicznym.
- Używaj maszyny tylko zgodnie z jej przeznaczeniem.

Ogólne zasady pracy maszyną

WAŻNE!

W niniejszym rozdziale opisane zostały podstawowe zasady bezpieczeństwa obowiązujące podczas obsługi urządzenia.

Jeżeli znajdziesz się w sytuacji, w której nie jesteś pewny prawidłowości dalszego sposobu postępowania, zasięgnij porady eksperta. Zwróć się do swojego dealera lub warsztatu obsługi technicznej.

Nie podejmuj się pracy, gdy uważasz, że nie masz wystarczających kwalifikacji.

Podstawowe zasady bezpieczeństwa

Rozglądnij się, aby:

- Upewnić się, że w pobliżu nie znajdują się ludzie, zwierzęta lub przedmioty mogące mieć wpływ na sprawowanie przez Ciebie kontroli nad maszyną.
- Aby upewnić się, że wspomnianym wyżej osobom, zwierzętom i rzeczom nie zagraża kontakt ze zamiataarką ani z odrzucanymi przez nią luźnymi przedmiotami.
- UWAGA! Nigdy nie używaj maszyny, jeśli nie masz możliwości wezwania pomocy w razie wypadku.

ZASADY BEZPIECZEŃSTWA

- 1 Nie należy używać maszyny w złych warunkach atmosferycznych. Np. w czasie gęstej mgły, dużych opadów, silnego wiatru, dużego mrozu itp. Praca przy złej pogodzie jest męcząca i niesie ze sobą dodatkowe zagrożenia np. śliski grunt.
- 2 Zapewnij sobie bezpieczne poruszanie i pozycję przy pracy.
- 3 Podczas przesuwania przekładni kątowej silnik musi być wyłączony.
- 4 Nigdy nie pozostawiaj maszyny z włączonym silnikiem bez nadzoru.

Główne techniki pracy

- Zawsze należy dbać o to, aby mieć bezpieczną i pewną pozycję przy pracy.



- Trzymaj zawsze maszynę dwoma rękoma. Trzymaj maszynę z boku tułowia.
- Upewnij się, że dłonie i stopy nie znajdują się w pobliżu szczotki podczas uruchamiania silnika.
- Po wyłączeniu silnika nie należy zbliżać się do szczotki, dopóki maszyna całkowicie się nie zatrzyma.
- Zmniejsz obroty silnika do poziomu biegu jałowego po wykonaniu każdego określonego momentu pracy. Dłuższe pozostawianie na wysokich obrotach nieobciążonego silnika (tzn. bez obciążenia osprzętu tnącego jakie powstaje podczas pracy maszyną) może być przyczyną jego poważnych uszkodzeń.
- W razie występowania dużych wibracji należy wyłączyć maszynę. Zdejmij kabl zapłonowy ze świecy

zapłonowej. Sprawdź, czy maszyna nie jest uszkodzona. Napraw ewentualne uszkodzenia.



OSTRZEŻENIE! Należy uważać na odrzucane przedmioty. Należy zawsze stosować środki ochrony wzroku. Zabrania się opierania się o szczotkę. Odrzucane przez urządzenie kamienie lub odłamki mogą trafić w oczy, powodując utratę wzroku lub inne poważne obrażenia. Nie pozwól osobom nieupoważnionym przebywać w pobliżu. Dzieci, zwierzęta i obserwatorzy muszą znajdować się poza strefą zagrożenia, w bezpiecznej odległości, nie mniejszej niż 15 m. Wyłącz natychmiast maszynę, gdy ktoś się zbliża. W czasie pracy przekładnia może rozgrzewać się do wysokiej temperatury, która może utrzymywać się na takim poziomie przez jakiś czas. Dotknięcie tego elementu grozi oparzeniem.

- Opierając szczotkę o podłoże, uruchomić urządzenie tak, aby pracowało na pełnych obrotach (lub niemal pełnych obrotach).

Podnoszenie lub utrzymywanie szczotki ponad podłożem podczas pracy jest zarówno męczące, jak i niepotrzebne.

- Podczas oczyszczania wąskich powierzchni, np. ścieżek, urządzenia można używać tak, aby wyrzucało materiał do przodu, przed użytkownika. W przypadku pracy na szerszych przestrzeniach można zmienić kąt pracy tak, aby materiał gromadził się po jednej ze stron. Lekki materiał może być gromadzony w jednym rzędzie lub na stosie do późniejszego uprzątnięcia, podczas gdy materiał o większych rozmiarach może wymagać gromadzenia w kilku skupiskach.



ZASADY BEZPIECZEŃSTWA

Aby dostać się do przestrzeni narożnej, należy zdjąć osłonę i poluzować złącze akcesorium, a następnie obrócić je o 180 stopni.



OSTRZEŻENIE! W rezultacie materiał będzie odrzucony do tyłu, w kierunku operatora. Podczas obracania maszyny należy zmniejszyć prędkość jej obrotów; należy także pamiętać o niebezpieczeństwie potknięcia się o rozrzucony materiał.

- Podczas pracy należy utrzymywać maszynę pod małym kątem odchylenia. Zbyt duży kąt odchylenia może grozić utratą kontroli.

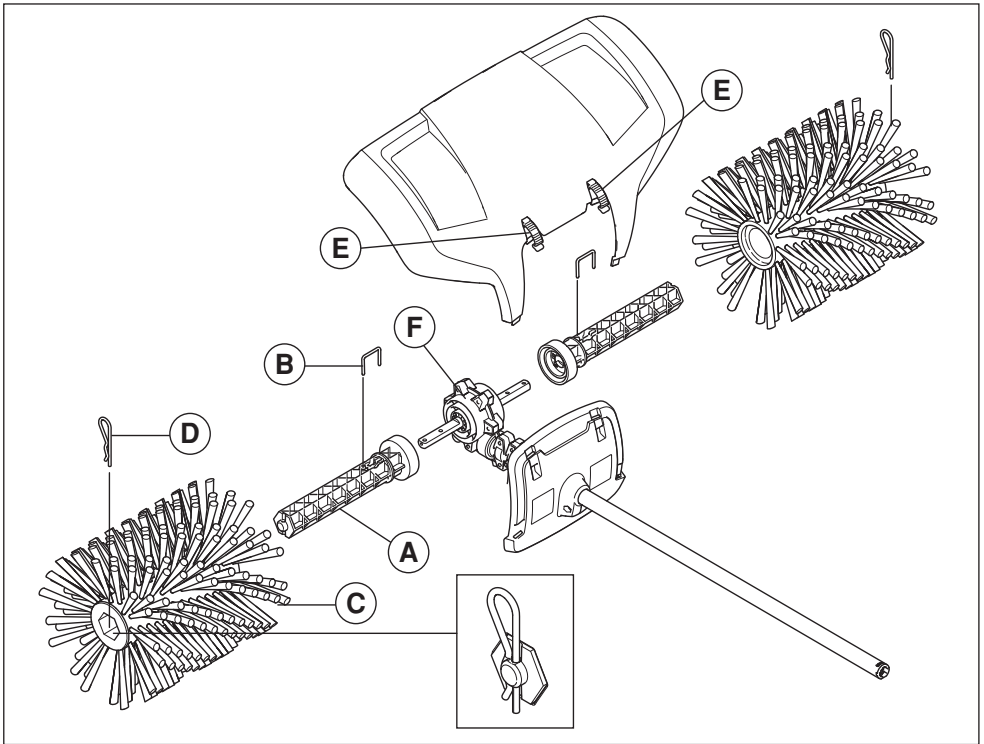


OSTRZEŻENIE! Podczas pracy należy utrzymywać maszynę pod małym kątem odchylenia w stosunku do powierzchni. Zbyt duży kąt odchylenia może grozić przesuwaniem się zamiatarki w stronę operatora oraz utratą kontroli nad maszyną.

Szczotki w kształcie walca mogą obrócić się podczas uruchamiania zamiatarki. Podczas uruchamiania maszyny należy trzymać ją w bezpiecznej pozycji. Należy zwracać uwagę na przedmioty, które mogą przyczepić się do obracających się szczotek lub zostać przez nie odrzucone.

Mimo iż szczotki w kształcie walca nie mają takiej samej siły, jak na przykład kosiarka, należy unikać pracy przy materiałach, które mogą wywołać obrażenia ciała lub uszkodzenie mienia w przypadku ich odrzucenia.

MONTAŻ



Montaż akcesorium w postaci zmiatarki

- 1 Nasunąć jedną z osi szczotki w kształcie walca (A) na jeden z dwóch wałków napędowych, które znajdują się po obu stronach obudowy przekładni (F). W razie potrzeby obrócić szczotkę tak, aby otwór przeznaczony na kolek blokujący znalazł się w jednej linii z odpowiednim otworem w wałku napędowym.
- 2 Zabezpieczyć wałek za pomocą kolka blokującego.
- 3 Nałożyć jeden wałków szczotki (C) na złożony wałek napędowy. Wcisnąć wałek do momentu, w którym się zatrzyma.
- 4 Zabezpieczyć wałek na wałku napędowym pomocą zawlecзки (D). Podczas montażu delikatnie naciskać końcówkę.
- 5 Powtórzyć powyższe czynności w celu złożenia osi i walca po drugiej stronie.
- 6 Zamontować osłonę przeciwbryzgową za pomocą elementów łącznych na zatrzask (E).
- 7 Informacje dotyczące montażu akcesoriów na maszynie zasadniczej znajdują się w instrukcji obsługi tej maszyny.

Plan konserwacji

Poniżej podano kilka ogólnych zasad konserwacji. Jeśli potrzebujesz dodatkowych informacji, skontaktuj się z warsztatem obsługi technicznej.

WAŻNE!

Praca z wykorzystaniem zamiatarki często odbywa się w warunkach dużego zapylenia. Należy bezwzględnie pamiętać o częstej konserwacji filtra powietrza. Jeśli to możliwe, należy ją przeprowadzać codziennie. Filtr powietrza musi być smarowany, aby działał prawidłowo.

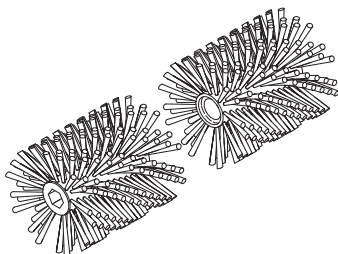
Instrukcje dotyczące konserwacji produktu podano w instrukcji producenta.

Przegląd codzienny



OSTRZEŻENIE! Osłona przekładni nagrzewa się podczas pracy urządzenia. Aby uniknąć poparzeń, należy unikać dotykania osłony przekładni.

- Upewnić się, że szczotki w kształcie walca nie obracają się podczas pracy na biegu jałowym.



- Sprawdzić szczotki pod kątem uszkodzeń i pęknięć. W razie potrzeby wymienić szczotki.
- W przypadku dłuższego czasu nieużywania przechowywać urządzenie w pozycji wiszącej.

Transport i przechowywanie

- W przypadku transportu należy zawsze stosować zatwierdzone wyposażenie służące do zamocowania i zabezpieczenia maszyny. Należy dopilnować, aby była ona skutecznie zamocowana i zablokowana.
- Przed odstawieniem maszyny na dłuższe przechowywanie należy ją dokładnie oczyścić i przeprowadzić kompletny serwis.

DANE TECHNICZNE

Dane techniczne

Dane techniczne

Zamiatarka **BR600**

Szczotka w kształcie walca, szerokość w mm 597

Szczotka w kształcie walca, średnica w mm 270

Masa

Masa, kg: 5,5

Emisje hałasu

(Patrz ad. 1)

Poziom mocy akustycznej, mierzony dB(A) 105

Poziom mocy akustycznej, gwarantowany L_{WA} dB(A) 109

Poziomy głośność

(patrz ad. 2)

Poziom ciśnienia akustycznego równoważny temu, na który narażony jest użytkownik maszyny, mierzony zgodnie z normami: EN ISO 9622868, db(A):

Wibracje

(patrz ad. 3)

Równoważne poziomy drgań uchwytów ($a_{hv,eq}$), został zmierzony zgodnie z normami: EN ISO 22867, m/s^2

Przedni/tylny uchwyt 3,7/6,2

Uwaga 1: Zmierzone łącznie z użyciem zatwierdzonych akcesoriów Husqvarna. Emisję hałasu do otoczenia zmierzono jako moc akustyczną (L_{WA}), zgodnie z dyrektywą WE 2000/14/EG. Odnotowany poziom ciśnienia akustycznego dla maszyny został zmierzony z oryginalnym osprzętem tnącym, takim który daje najwyższy poziom hałasu. Różnica pomiędzy gwarantowanym a zmierzonym poziomem ciśnienia akustycznego wynika z tego, że poziom gwarantowany zawiera także rozproszenie w wynikach pomiaru oraz różnice pomiędzy różnymi typami maszyn tego samego modelu zgodnie z Dyrektywą 2000/14/EC.

Uwaga 2: Zmierzone łącznie z użyciem zatwierdzonych akcesoriów Husqvarna. Odnotowane dane dla równoważnego ciśnienia akustycznego maszyny mają typowe rozproszenie statystyczne (odchylenie standardowe) w wysokości 1 dB (A).

Uwaga 3: Zmierzone łącznie z użyciem zatwierdzonych akcesoriów Husqvarna. Odnotowane dane dla równoważnego poziomu wibracji mają typowe rozproszenie statystyczne (odchylenie standardowe) w wysokości 1 m/s^2 .

Deklaracja zgodności WE (Dotyczy tylko Europy)

Husqvarna AB, SE-561 82 Huskvarna, Szwecja, tel. +46-36-1 46500, niniejszym zapewnia, że akcesorium do zamiatarki

Husqvarna BR600/Jonsered BR600 jest zgodne z wymogami zawartymi w DYREKTYWIE RADY:

- dyrektywie maszynowej **2006/42/WE** z 17 dnia maja 2006 r.

Zastosowano następujące normy: **SS-EN ISO 12100:2010**

Husqvarna AB dobrowolnie zleciła wykonanie prób homologacyjnych, które zostały przeprowadzone w SMP Svensk Maskinprovning AB, Box 7035, SE-750 07 Uppsala, Szwecja.

To urządzenie może być używane wyłącznie do tych typów wykaszarek, do których jest przeznaczone. Patrz instrukcja obsługi maszyny, rozdział „Dane techniczne” pod rubryką „Zatwierdzone akcesoria”. Certyfikaty opatrzone są numerami: **SEC/15/2412** - BR600

Huskvarna, 18 lutego 2015 r.



Per Gustafsson, Szef ds. Rozwoju Produkcji (Autoryzowany przedstawiciel Husqvarna AB oraz osoba odpowiedzialna za dokumentację techniczną.)

A SZIMBÓLUMOK MAGYARÁZATA

Egyezményes jelek

VIGYÁZAT!

A seprőgép veszélyes lehet, ha helytelenül és nem kellő körültekintéssel használják, ami a kezelő vagy más személyek súlyos vagy halálos sérülését is okozhatja. Rendkívül fontos, hogy elolvassa és megértse ezt a használati utasítást.



Olvassa el figyelmesen a használati utasítást, és győződjön meg róla, hogy megértette azt, mielőtt a gépet használatba veszi.



Viseljen mindig:

- Védősisak olyan helyekre, ahol leeső tárgyak veszélye áll fenn
- Jóváhagyott hallásvédőt
- Jóváhagyott szemvédők
- Por veszélye esetén porvédő maszkot kell viselni.



Ez a termék megfelel a CE-normák követelményeinek.



A gép kezelője ügyeljen arra, hogy a munka során se ember, se állat ne jöjjön 15 m-nél közelebb a munkaterülethez.



Használjon mindig megfelelő védőkesztyűt.



Használjon stabil, nem csúszós csizmát.



Minden testrészét tartsa távol a forró felületektől.



Figyelmeztetés: forgó alkatrészek. Tartsa kezét és lábát biztonságos távolságban.



Legyen óvatos a kivetett és visszapattanó tárgyakkal.

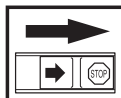


A környezet zajszennyezése az Európai Gazdasági Közösség direktívája szerint. A gép zajkibocsátása a Műszaki adatok című fejezetben és a címkén szerepel.

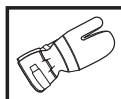


A gépen szereplő többi jel/címke egyes piacok specifikus vizsgáztatási követelményeire vonatkozik.

A motort a stop kapcsoló stop állásba húzásával állíthatja le. FIGYELEM! A stop kapcsoló automatikusan visszatér start állásba. A véletlen beindítás elkerülése érdekében szereléskor, ellenőrzéskor vagy karbantartáskor húzza le a gyertyapipát a gyújtógyertyáról.



Használjon mindig megfelelő védőkesztyűt.



Szemrevételezés.



Tartalomjegyzék

A SZIMBÓLUMOK MAGYARÁZATA

Egyezményes jelek 172

TARTALOMJEGYZÉK

Tartalomjegyzék 173

Indítás előtt a következőkre ügyeljen: 173

MI MICSODA?

A seprőgép alkatrészei 174

MUNKAVÉDELMI UTASÍTÁSOK

A gép biztonsági felszerelése 175

Személyi védőfelszerelés 175

Általános biztonsági intézkedések 176

Általános munkavédelmi utasítások 176

ÖSSZESZERELÉS

A seprőgép tartozékainak összeszerelése 179

KARBANTARTÁS

Karbantartási séma 180

MŰSZAKI ADATOK

Műszaki adatok 181

Termékazonossági EGK-bizonyítvány 181

Indítás előtt a következőkre ügyeljen:

Olvassa el figyelmesen a használati utasítást, és győződjön meg róla, hogy megértette azt, mielőtt a gépet használatba veszi.

Ez a használati utasítás egy kiegészítés a géphez mellékelt használati utasításhoz. Az egyéb részleteket illetően lásd a gép használati utasítását.

A Husqvarna AB folyamatosan dolgozik termékei továbbfejlesztésén, és ezért fenntartja a jogot arra, hogy többek között a termékek formáján és külsején előzetes tájékoztatás nélkül változtasson.

Hosszú távon a tartós zajártalom maradandó halláskárosodást okozhat. Ezért mindig használjon megfelelő zaj elleni fülvédőt.



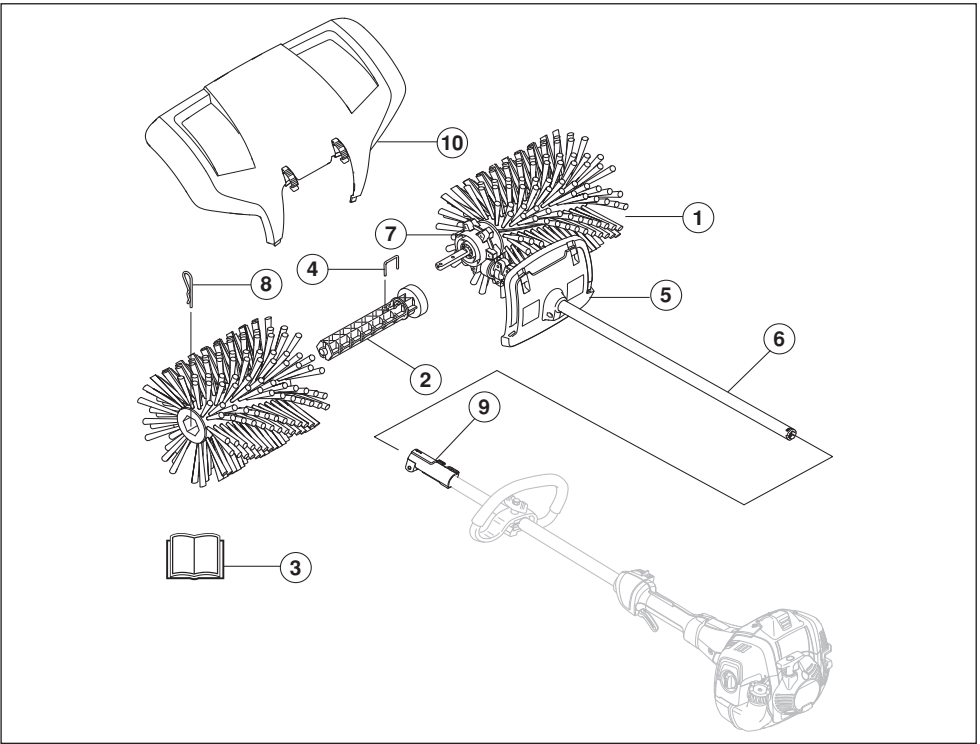
VIGYÁZAT! A gép eredeti kivitelezésén a gyártó cég engedélye nélkül semmilyen módosítást sem szabad végezni. Használjon mindig eredeti pótalkatrészeket. Nem engedélyezett módosítások és/vagy pótalkatrészek komoly sérülésekhez vagy halálos balesetekhez vezethetnek.



VIGYÁZAT! Ez az tartozék kizárólag a célnak megfelelő ritkítófűrészekkel/ trimmerekkal együtt használandó. Lásd a gép használati utasításában a "Műszaki adatok" című fejezetben a "Jóváhagyott tartozékok" cím alatt.

A gép ösvények, aszfaltutak és hasonló felületek söprésére alkalmas.

MI MICSODA?



A seprőgép alkatrészei

- | | | | |
|---|---|----|---|
| 1 | Kefedob | 6 | Hajtóengelycső |
| 2 | Dobtengely | 7 | Sebváltóház |
| 3 | Használati utasítás | 8 | Sasszeg |
| 4 | Rögzítőcsap | 9 | Hajtóengelycsukló (A gép alaptartozéka) |
| 5 | Védőegység (Nyélen elhelyezett védelem) | 10 | Freccsenésvédő |

MUNKAVÉDELMI UTASÍTÁSOK

A gép biztonsági felszerelése

Ez a fejezet elmagyarázza a gép különböző biztonsági felszereléseit, azok működését, valamint azt az ellenőrzést és karbantartást, amelyről a biztonságos használat érdekében gondoskodnia kell. Lásd a Mi micsoda című fejezetet arról, hogy a különböző alkatrészek hol találhatóak meg a gépen.

Ha a gép karbantartását nem megfelelően végzik, illetve a javítási és szervizmunkálatokat nem képzett szakemberrel végeztetik el, a gép balesetveszélyessé válhat és várható élettartama is csökkenhet. További információért forduljon a legközelebbi szakszerviz munkatársaihoz.



VIGYÁZAT! Soha ne használjon olyan gépet, amelynek hibás a biztonsági felszerelése. Végezze el a gép biztonsági felszerelésének ellenőrzését és a karbantartási munkálatokat az ebben a fejezetben leírtak szerint. Ha a gép az előírt ellenőrzések valamelyikénél nem fe



VIGYÁZAT! Minden esetben állítsa le a gépet, mielőtt egy tartozékkal kezd dolgozni. Előfordulhat, hogy a gázadagoló kiengedése után még tovább jár. Győződjön meg arról, hogy a tartozék teljesen leállt, vegye le a vezetékét a gyújtógyertyáról, és csak azután kezdjen dolgozni rajta.

Személyi védőfelszerelés



VIGYÁZAT! Amikor a gépet használja, viseljen mindig jóváhagyott személyi biztonsági felszerelést. A személyi biztonsági felszerelés nem küszöböli ki a sérülések kockázatát, de csökkenti a sérülés mértékét, ha bekövetkezik a baleset. A megfelelő felszerelés kiválasztásához kérje kereskedő segítségét. Olvassa el figyelmesen a használati utasítást, és győződjön meg róla, hogy megértette azt, mielőtt a gépet használatba veszi.



VIGYÁZAT! Amikor fülvédőt visel, mindig figyeljen a figyelmeztető jelzésekre és hangokra. A motor leállítása után azonnal vegye le a fülvédőket

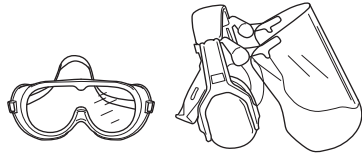
- Szükség esetén, például a vágófelszerelés összeszerelésénél.



- Használjon elegendő hangtompító hatással rendelkező fülvédőket.



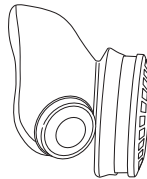
- Mindig viseljen jóváhagyott szemvédő felszerelést. Ha arcvédőt használ, jóváhagyott védőszemüveget is kell viselnie. Jóváhagyott védőszemüvegek azok, amelyek megfelelnek az ANSI Z87.1 (USA) illetve EN 166 (EU-országok) szabványoknak. Az elfújtt ágak vagy egyéb részek megsérülést okozhatnak.



- Használjon stabil, nem csúszós csizmát.



- Mindig erős anyagból készült hosszúnadrágot, kesztyűt és hosszú ujjú inget viseljen. A forgó részekbe kerülő tárgyak okozta sérülésveszély csökkentése érdekében ne viseljen bő ruházatot, sálát, ékszert stb. Háját váll fölött fogja össze.
- Por veszélye esetén porvédő maszkot kell viselni.



- Mindig legyen a közelben elsősegélykészlet.



Általános biztonsági intézkedések

FONTOS!

A gépet kizárólag arra használja, amire az tervezve van. A gép ösvények, aszfaltutak és hasonló felületek sóprésére alkalmas.

Soha ne használja a gépet, ha fáradt, ha szeszestalt fogyasztott, vagy ha olyan gyógyszert szed, amely befolyásolhatja a látását, az ítéletképességét vagy a koordinációs képességét.

Használja az alapgép felhasználói kézikönyvében ajánlott személyi védőfelszerelést. A megfelelő védőfelszerelés kiválasztásához kérje a kereskedő segítségét.

Soha ne használjon olyan gépet, amelynek eredeti konstrukcióján bármilyen módon is változtattak.

Soha ne üzemeltesse a gépet extrém időjárási viszonyok között, például nagy hidegben illetve nagy melegben és/vagy páráis időben.

Soha ne használjon olyan gépet, amely hibás. Végezze el az ebben a használati utasításban előírt ellenőrzési, karbantartási és szervizmunkákat. Bizonyos karbantartási és szervizmunkákat szakképzett szerelőnek kell elvégeznie. Lásd a Karbantartás című fejezetben leírtakat.

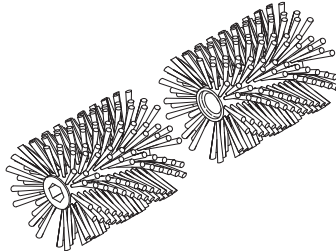
- Gyermekeknek ne engedélyezze a gép üzemeltetését.
- A gép kezelője ügyeljen arra, hogy a munka során se ember, se állat ne jöjjön 15 m-nél közelebb a munkaterülethez.
- Csak olyan személyeknek engedje meg a gép használatát, akikről tudja, hogy elsajátították a használati utasítás tartalmát.

A munka elkezdése előtti biztonsági előírások



- Senkit ne engedjen a munkaterületre. Gyermekek, állatok, szemlélődők és segítőtársak is csak 15 m távolságig közelíthetik meg a munkaterületet. Ha valaki közeledik, azonnal állítsa le a gépet.
- Indítás előtt vizsgálja át az egész gépet. Cserélje ki a megrongálódott alkatrészeket. Ellenőrizze, hogy nincs-e üzemanyiszivárgás, és hogy minden védelem és burkolat ép-e és a helyén van-e. Ellenőrizzen minden csavart és csavaranyát.

- Ellenőrizze, hogy a kefedobok sérülésmentesek-e, és hogy vannak-e rajtuk repedések vagy egyéb sérülések.



Hidegindítás esetén:

- Végezze el a gép alapvető bemelegítését, majd állítsa le a gépet.
- A kiegészítő szerszámokat a szerelési útmutatóban található utasítások szerint szerelje fel.
- A porlasztó beállításakor a kefedobokat szorítsa a földre, és ügyeljen arra, hogy senki ne tartózkodjon a közelben.
- Ügyeljen arra, hogy a kefedobok üresjáratban legyenek.
- Ügyeljen arra, hogy a fogantyú és a biztonsági egységek megfelelő, használható állapotban legyenek. Soha ne használjon hiányos vagy a műszaki leíráshoz képest módosított gépet.
- A gépet kizárólag arra használja, amire az tervezve van.

Általános munkavédelmi utasítások

FONTOS!

Ez a fejezet a seprőgéppel végzett munkára vonatkozó alapvető munkavédelmi szabályokat tárgyalja.

Ha munka közben elbizonytalanodik a munka folytatását illetően, kérje szakember tanácsát. Forduljon kereskedőhöz vagy márkaszervizhez.

Ne használja a gépet olyan feladatok elvégzésére, amelyekhez, úgy véli, nincs elegendő szakértelme.

Alapvető munkavédelmi szabályok

Figyelje környezetét:

- Hogy meggyőződjön arról, hogy nincsenek személyek, állatok, vagy olyan tárgyak a közelben, amelyek befolyásolhatják a gép fölötti uralmát.
 - Gondoskodjon arról, hogy a fent felsoroltak egyike sem kerüljön érintkezésbe a seprőgéppel vagy a szétrepülő tárgyakkal.
 - FIGYELEM! Ne használja a gépet olyan körülmények között, ahol ha baleset következne be, nem lenne lehetősége segítséget hívni.
- 1 Ne használja a fűrészt rossz időben, például sűrű ködben, erősen zuhogó esőben, erős szélben vagy nagy hidegben, stb. A hideg időben végzett munka fázasztó, és gyakran kockázatokkal is jár, például jeges talaj.

MUNKAVÉDELMI UTASÍTÁSOK

- 2 Gondoskodjon róla, hogy stabilan álljon, és járása biztos legyen.
- 3 Mozgatás előtt le kell állítania a motort.
- 4 Ne tegye le a gépet, ha a motor jár, anélkül, hogy felügyelne rá.

Alapvető szabály

- Mindig biztonságos és stabil munkahelyzetben dolgozzon.



- A gépet mindig mindkét kézzel fogja. A gépet tartsa a törzse mellett.
- Ügyeljen arra, hogy keze és lába ne érjen a keféhez, amikor a motor jár.
- Amikor a motor ki van kapcsolva, a kezeit és a lábait tartsa távol a keféktől, amíg a gép teljesen le nem áll.
- Minden egyes művelet után csökkentse a motor sebességét aljárátig. Ha a motor hosszabb ideig teljes gázzal jár, anélkül, hogy munkát végezne (azaz anélkül, hogy a motor a vágófelszerelés munka közbeni ellenállását tapasztalná) az súlyos motorhibát eredményezhet.
- Erős vibrálás esetén állítsa le a gépet. Vegye le a gyújtógyertya kábelt a gyújtógyertyáról. Ellenőrizze, nem sérült-e meg a gép. Javítsa meg az esetleges sérüléseket.



VIGYÁZAT! Óvja magát a szétrepülő tárgyaktól. Mindig viseljen védőszemüveget. Soha ne hajoljon a kefedő felé. A szemébe csapódó kövek, szemét stb. vakságot vagy súlyos sérüléseket okozhatnak. Senkit ne engedjen a munkaterületre. Gyermekek, állatok, szemlélődők és segítőtársak is csak 15 m távolságig közelíthetik meg a munkaterületet. Ha valaki közeledik, azonnal állítsa le a gépet. A használat során és után a váltómű meleg lehet. Érintés esetén égési sérülés veszélye áll fenn.

- Üzemeltesse a gépet teljes sebességen (vagy majdnem teljes sebességen) úgy, hogy a kefe a tisztítandó felületre támaszkodik.

Fárasztó és szücségtelen a kefének munka közben a felület fölé emelni, vagy ott megtartani.

- Olyan szűk felületek tisztításakor, mint például az ösvények, a gép úgy is használható, hogy a szemét a kezelő elé kerüljön. Ha szélesebb felületeken szeretne dolgozni, lehet, hogy bizonyos szögben kell a géppel dolgoznia, így az egyik oldalon kisebb csíkok képződnek. A könnyű anyagból álló csíkok egy sorba vagy halomba gyűjthetők és a későbbiek folyamán eltávolíthatók. A kemény vagy nagy kiterjedésű anyagokat viszont több csíkban kell összegyűjteni.



A sarkok eléréséhez távolítsa el a felferődésgátlót, lazítsa meg a tartozék kapcsolóelemét, és fordítsa el a tartozékokat egy fél fordulattal.



VIGYÁZAT! A szemetet ezután a gép a kezelő felé repítheti. Használjon alacsonyabb fordulatszámot, ha hátrafelé halad a géppel, és gondoljon arra, hogy a szétrepülő anyagok miatt fokozottan fennáll a megbotlás veszélye.

MUNKAVÉDELMI UTASÍTÁSOK

- Tartson kis munkaszögöt. A túl nagy munkaszög a gép feletti uralom elvesztésének veszélyével járhat.

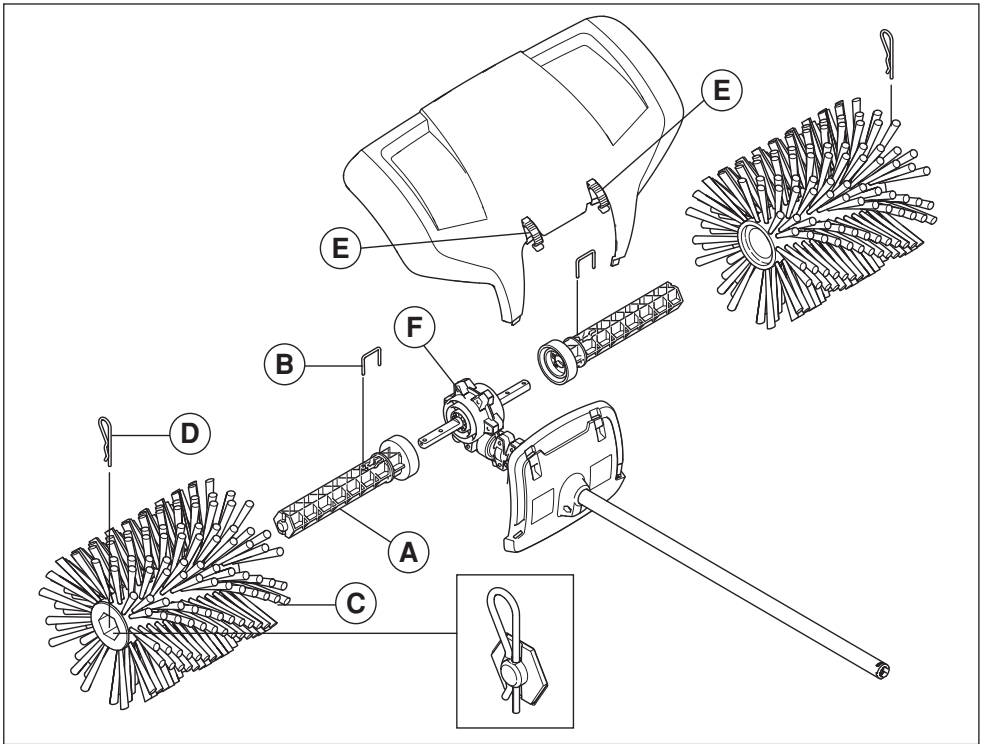


VIGYÁZAT! Munka közben az eszközt a felülethez képest kis szögben tartsa. Túl nagy munkaszög esetén a seprógép hajlamos a kezelő irányába mozdulni, ami a gép feletti uralom elvesztésének veszélyével járhat.

A kefedobok foroghatnak, amikor a seprógépet elindítják. Tartsa erősen a gépet, amikor elindítja. Vigyéljen az olyan tárgyakra, amelyek beszorulhatnak vagy amelyeket a forgó kefedobok kirepíthetnek.

Bár a kefedobok teljesítménye nem azonos például egy fűnyíró pengéivel, ne dolgozzon olyan anyagokkal, amelyek kivetődésük esetén személyi sérülést vagy anyagi károkat okozhatnak.

ÖSSZESZERELÉS



A seprőgép tartozékainak összeszerelése

- 1 Nyomja az egyik dobtengelyt (A) a váltóház (F) két kimenő hajtótengelyének egyikére. Szükség esetén forgassa a dob tengelyét, hogy a csaplyuk a hajtótengely megfelelő furata fölé kerüljön.
- 2 Rögzítse a görgő tengelyét rögzítőcsap (B) segítségével.
- 3 Helyezze az egyik keféngörgőt (C) az összeszerelt tengelyre. Nyomja be a görgőt, amíg meg nem akad.
- 4 Rögzítse a görgőt a tengelyre egy sasszeg segítségével (D). Összeszereléskor kissé nyomja be a végét.
- 5 Ismételje meg ezeket a lépéseket a tengely és a görgő felszereléséhez az ellentétes oldalon is.
- 6 Szerelje fel a freccsenésvédőt a gyorskapcsok segítségével (E).
- 7 Az alappép tartozékainak összeszereléséhez lásd az alappép kézikönyvét.

Karbantartási séma

Az alábbiakban néhány általános karbantartási utasítást talál. Ha kiegészítő információra van szüksége, forduljon szervizműhelyhez.

FONTOS!

A seprőgépen végzett munkálatokra gyakran poros környezetben kerül sor. Rendkívül fontos a levegőszűrő rendszeres, gyakran naponta végzett karbantartása. A megfelelő működés érdekében a levegőszűrőt be kell olajozni.

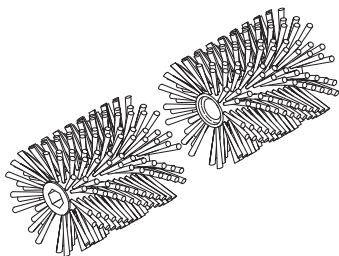
A karbantartási előírásokat megtalálja a termék használati útmutatójában.

Napi karbantartás



VIGYÁZAT! A csapágyház a készülék használata közben felforrósodik. Ne érjen a csapágyházhoz, különben megégetheti magát.

- Ellenőrizze, hogy a kefedobok nem forognak-e üresjáraton.



- Ellenőrizze, hogy nem sérültek vagy repedtek-e a kefedobok. Ha a kefedobok elhasználódtak, cserélje ki.
- Ha hosszabb ideig nem használja a keféket, felakasztva tárolja.

Szállítás és tárolás

- A fűnyíró esetleges szállítása esetén mindig jóváhagyott rögzítőberendezéseket használjon, és gondoskodjon a gép megfelelő rögzítéséről.
- Mielőtt a gépet hosszabb időre használaton kívül helyezné, tisztítsa meg alaposan, és végeztesse el teljes szervizét.

MŰSZAKI ADATOK

Műszaki adatok

Műszaki adatok

Seprőgép **BR600**

Kefedob szélessége (mm) 597

Kefedob átmérője (mm) 270

Tömeg

Tömeg, kg 5,5

Zajkibocsátás

(lásd megj. 1.)

Zajsztint, mért, dB(A) 105

Zajsztint, garantált L_{WA} dB(A) 109

Zajszintek

(2.sz.jegyzet)

A kezelő hallószervére gyakorolt, a EN ISO 22868 szerint mért ekvivalens hangnyomássztint, dB(A): 96

Rezgés

(lásd a 3. sz. megjegyzést)

Az EN ISO 22867 szerint mért ekvivalens rezgéssztintek ($a_{hv,eq}$) a fogantyúban, m/s^2

Elülső/hátsó fogantyú: 3,7/6,2

1. megjegyzés: Jóváhagyott Husqvarna tartozékokkal együtt mérve. A környezet zajszennyezése zajteljesítményszintként (L_{WA}) mérve a 2000/14/EG EKG-direktíva szerint. A gép jelentésben szereplő hangteljesítményszintjét a legmagasabb szintet produkáló eredeti vágófelszereléssel mérték. A garantált és a mért hangteljesítmény közötti különbségnek az az oka, hogy a garantált hangteljesítmény tartalmazza a mérési eredményben lévő ingadozást és az azonos modellű gépek közti eltéréseket is a 2000/14/EK jelű irányelv értelmében.

2. megjegyzés: Jóváhagyott Husqvarna tartozékokkal együtt mérve. A gép ekvivalens hangnyomássztintjére vonatkozó jelentési adatok az 1 dB (A) tipikus statisztikus ingadozásával (szórásával) rendelkeznek.

3. megjegyzés: Jóváhagyott Husqvarna tartozékokkal együtt mérve. Az ekvivalens rezgéssztintre vonatkozó megküldött adatok az 1 m/s^2 tipikus statisztikus ingadozásával (szórásával) rendelkeznek.

Termékazonossági EKG-bizonyítvány (Kizárólag Európára vonatkozik)

Husqvarna AB, SE-561 82 Huskvarna, Svédország (tel.: +46-36-146500) saját felelősségére kijelenti, hogy a **Husqvarna BR600 / Jonsered BR600** seprőgép tartozékai megfelelnek az EKG TANÁCSA következő IRÁNYELVEINEK:

- Gépekről szóló **2006/42/EK** irányelv (2006. május 17.).

Alkalmazott szabványok: **SS-EN ISO 12100:2010**

A Svensk Maskinprovning (SMP) AB, Box 7035, SE-750 07 Uppsala, Svédország, típusellenőrzést végzett a Husqvarna AB vállalat számára.

Ez az tartozék kizárólag a célnak megfelelő ritkítófűrészekkel/trimmerekkal együtt használandó. Lásd a gép használati utasításában a "Műszaki adatok" című fejezetben a "Jóváhagyott tartozékok" cím alatt. A bizonyítványok számai: **SEC/15/2412** - BR600

Huskvarna, 2015 február 18.



Per Gustafsson, Fejlesztési igazgató (A Husqvarna AB technikai dokumentációért felelős hivatalos képviselője.)

KAJ POMENIJO SIMBOLI

Simboli

OPOZORILO!

V primeru brezskrbne ali nepravilne uporabe je lahko pobiralna naprava izjemno nevarno orodje, ki lahko povzroči resne ali celo smrtne poškodbe upravljavca in drugih oseb. Zato je zelo pomembno, da natančno preberete in razumete navodila za uporabo.

Natančno preberite navodila za uporabo in se prepričajte, da ste jih razumeli, predno začnete z uporabo stroja.

Pri delu vedno uporabljajte:

- Zaščitna čelada, če obstaja nevarnost padajočih predmetov
- Atestirane zaščitne slušalke
- Atestirana zaščita oči
- Če obstaja tveganje prašenja, je treba uporabljati dihalno masko.

Izdelek je v skladu z veljavnimi CE predpisi.

Uporabnik stroja je odgovoren, da so ljudje in živali oddaljeni najmanj 15 m od delovnega mesta.

Vedno uporabljajte atestirane zaščitne rokavice.

Uporabljajte vedno grobe škornje, v katerih ne drsi.

Pazite, da se s kakšnim delom telesa ne dotaknete vročih površin.

Opozorilo: rotirajoči deli. Roke in noge držite proč.

Postel



Nevarnost izmeta in odsunka.

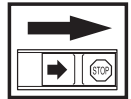


Emisija hrupa v okolico v skladu z direktivo Evropske skupnosti. Emisija stroja je podana v poglavju Tehnični podatki in na nalepki.



Ostali simboli in oznake na stroju se nanašajo na specifične zahteve za certifikacijo, ki veljajo na nekaterih tržiščih.

Motor ustavite tako, da premaknete stikalo za zaustavitev v položaj stop. POZOR! Stikalo za zaustavitev se samodejno vrne v začetni položaj. Da preprečite nenamerni zagon morate pri sestavljanju, preverjanju in/ali vzdrževanju pokrivalo za svečko odstraniti iz svečke.



Vedno uporabljajte atestirane zaščitne rokavice.



Pregled s prostim očesom.



Vsebina

KAJ POMENIJO SIMBOLI

Simboli 182

VSEBINA

Vsebina 183

Pred vžigom bodite pozorni na naslednje: 183

KAJ JE KAJ?

Deli pobiralne naprave. 184

NAVODILA ZA VARNO UPORABO

Varnostna oprema stroja 185

Osebnostna zaščitna oprema 185

Splošna navodila za varnost 186

Splošna navodila za delo 186

MONTAŽA

Nameščanje nastavka za pometanje 189

VZDRŽEVANJE

Urnik vzdrževanja 190

TEHNIČNI PODATKI

Tehnični podatki 191

ES-Izjava o skladnosti 191

Pred vžigom bodite pozorni na naslednje:

Natančno preberite navodila za uporabo in se prepričajte, da ste jih razumeli, predno začnete z uporabo stroja.

Ta navodila so dodatek navodilom, ki so priložena stroju. Za ostale postopke pogledajte v delovna navodila stroja.

Husqvarna AB nenehno razvija in izpopolnjuje svoje izdelke in si zato pridržuje pravico sprememb v, na primer, obliki in izgledu brez predhodnega opozorila.

Dolgotrajna izpostavljenost hrupu lahko povzroči trajne okvare sluha. Zato vedno nosite odobreno zaščitno opremo za ušesa.



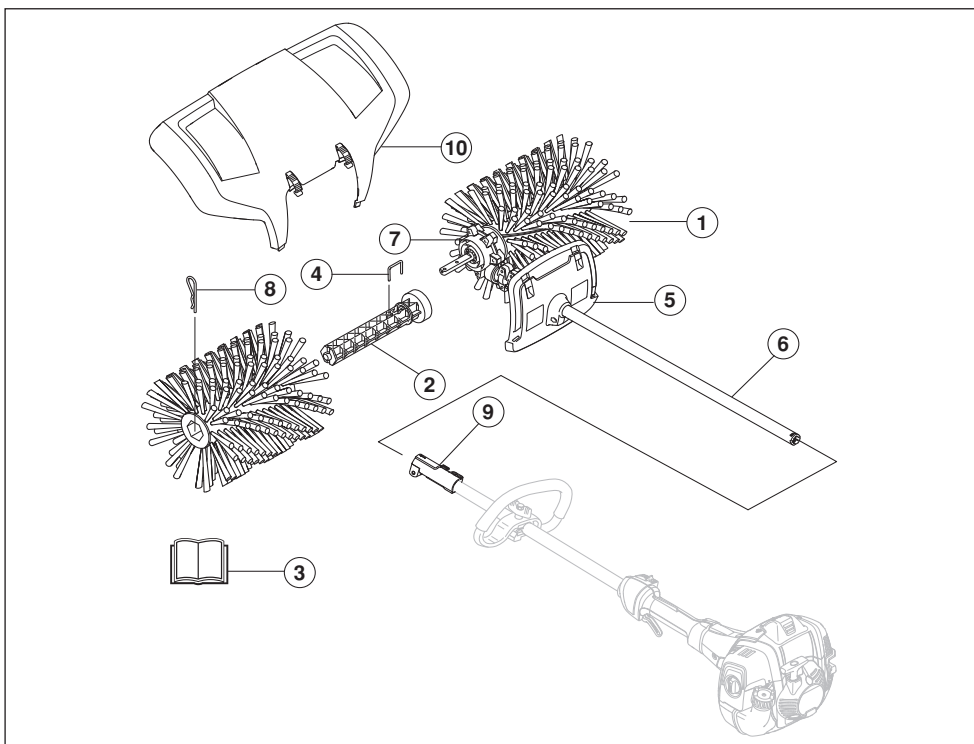
OPOZORILO! Brez predhodnega dovoljenja proizvajalca ne smete nikoli spreminjati prvotne izvedbe stroja. Vedno uporabljajte izključno originalne dele. Spremembe brez pooblastila in/ali neoriginalni deli lahko povzročijo resne poškodbe ali smrt uporabnika in drugih.



OPOZORILO! To opremo je dovoljeno uporabljati samo v povezavi z orodjem (rotacijsko kosilnico/trimerjem), za katerega je predvidena. Glejte poglavje "Odobrena oprema" v poglavju "Tehnični podatki" v navodilih za uporabo orodja.

Stroj je zasnovan samo za pometanje poti, asfaltnih cestišč in podobnih površin.

KAJ JE KAJ?



Deli pobiralne naprave.

- | | | | |
|---|-------------------------|----|--|
| 1 | Boben za pometanje | 6 | Držalo |
| 2 | Os bobna | 7 | Ohišje menjalnika |
| 3 | Navodila za uporabo | 8 | Raztezni zatič |
| 4 | Blokirni zatič | 9 | Sklopka držala (sodi k osnovni sestavi stroja) |
| 5 | Ščitnik (zaščita gredi) | 10 | Ščitnik proti brizganju |

NAVODILA ZA VARNO UPORABO

Varnostna oprema stroja

To poglavje opisuje varnostne detajle stroja, način njihovega delovanja ter kako jih pregledujemo in vzdržujemo, tako da bodo v stanju, ki zagotavlja varnost pri delu. V poglavju Kaj je kaj? navajamo, kje so ti detajli na vašem stroju.

Opustitev pravilnega vzdrževanja stroja in nestrokovno servisiranje/popravila lahko skrajšajo življenjsko dobo stroja in povečajo nevarnost nesreč. Dodatne informacije lahko dobite v najbližji servisni delavnici.



OPOZORILO! Nikoli ne uporabljajte stroja s poškodovano varnostno opremo. Varnostno opremo stroja pregledujte in vzdržujte natančno v skladu z navodili, ki so podana v tem poglavju. Če stroj ob pregledu ne izpolnjuje vseh opisanih pogojev, ga nemudoma prepustite v po



OPOZORILO! Pred delom na katerem koli delu dodatne opreme vedno izklopite motor. Lahko se premika tudi, ko sprostite plin. Pred delom na dodatni opremi se prepričajte, da se je dodatna oprema popolnoma zaustavila, nato pa odklopite kable z vžigalnih svečk.

Osebna zaščitna oprema



OPOZORILO! Ob vsaki uporabi stroja uporabljajte vedno atestirano osebno zaščitno opremo. Osebna zaščitna oprema ne izključuje nevarnosti poškodb, vendar pa v primeru nesreče omili posledice. Pri izbiri zaščitne opreme se posvetujte z vašim trgovcem. Natančno preberite navodila za uporabo in se prepričajte, da ste jih razumeli, predno začnete z uporabo stroja.



OPOZORILO! Bodite vedno pozorni na svarilne znake in klice, kadar uporabljate zaščitne slušalke. Zaščitne slušalke vedno snemite takoj, ko ste ustavili motor.

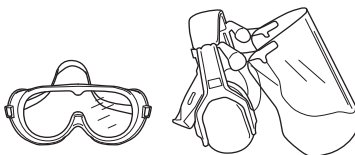
- Uporabljajte rokavice, kadar je potrebno.



- Uporabljajte zaščitne slušalke, ki učinkovito dušijo zvok.



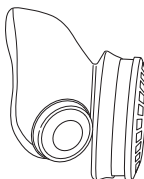
- Vedno uporabljajte atestirano zaščitno oči. Tudi če uporabljate vezir, morate vedno uporabljati tudi atestirana zaščitna očala. Atestirana očala so tista očala, ki izpolnjujejo standard ANSI Z87.1 za ZDA ali pa EN 166 za dežele EU. Izvržene veje ali predmeti lahko poškodujejo oči.



- Uporabljajte vedno grobe škornje, v katerih ne drsi.



- Vedno uporabljajte trpežne dolge hlače, čevlje, rokavice in srajco z dolgimi rokavi. Da bi se izognili nevarnosti poškodb zaradi uvelka predmetov v vrtljive dele, ne nosite ohlapnih oblačil, šalov, nakita itd. Dolge lase si spnite tako, da bodo nad višino ramen.
- Če obstaja tveganje prašenja, je treba uporabljati dihalno masko.



- Pri delu imajte vedno pri sebi pribor za prvo pomoč.



NAVODILA ZA VARNO UPORABO

Splošna navodila za varnost

POMEMBNO!

Napravo uporabljajte samo za tiste namene, za katere je bila namenjena. Stroj je zasnovan samo za pometanje poti, asfaltnih cestišč in podobnih površin.

Stroja ne uporabljajte, če ste utrujeni, če ste pili alkohol ali če jemljete zdravila, ki vplivajo na vid, presojo ali telesno koordinacijo.

Pri uporabo osnovnega stroja uporabljajte zaščitno opremo, navedeno v navodilih. Pri izbiri zaščitne opreme se posvetujte z vašim trgovcem.

Ne uporabljajte stroja, ki je bil kakorkoli predelan in ni več v skladu z originalno izvedbo.

Stroja nikoli ne uporabljajte v težkih vremenskih pogojih, kot so na primer hud mraz, velika vročina in/ali visoka relativna vlaga.

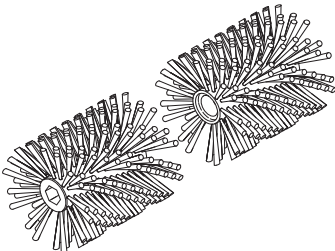
Ne uporabljajte pokvarjenega stroja. Upoštevajte varnostna navodila ter navodila za vzdrževanje in servis, navedena v tem priročniku. Nekatere vrste vzdrževalnih del in popravil lahko opravi samo za to usposobljeno strokovno osebje. Glejte navodila v poglavju Vzdrževanje.

- Nikoli ne pustite otrokom uporabljati naprave.
- Uporabnik stroja je odgovoren, da so ljudje in živali oddaljeni najmanj 15 m od delovnega mesta.
- Nikoli ne pustite uporabljati naprave nekomu, brez da se prepričate ali so razumeli vsebino navodil za uporabo.

Varnostna navodila pred začetkom dela



- Preprečite dostop na delovno območje nepoklicanim. Otroci, živali, mimoidoči in tisti, ki vam pomagajo pri delu, morajo biti vedno oddaljeni najmanj 15 m. Takoj ustavite stroj, da se vam kdo približuje.
- Pred začetkom preverite celoten stroj. Zamenjajte poškodovane dele. Prepričajte se, da gorivo nikjer ne pušča in so vse zaščitne mreže ter pokrovi nepoškodovani in pravilno pritrjeni. Preverite vse matice in vijake.
- Prepričajte se, da bobna za pometanje nista poškodovana in na njih ne opazite razpok ali ostalih poškodb.



Ob zagonu hladnega motorja:

- Osnovni del stroja naj deluje, da se bo segrel, nato pa ga izklopite.
- Dodatno opremo namestite v skladu z navodili za montažo.
- Pri nastavitvi uplinjača se prepričajte, da sta bobna s krtačami pritisnjena ob tla in v bližini ni drugih oseb.
- Bobna s krtačami morata biti v prostem teku.
- Prepričajte se, da ročica in varnost deluje. Nikoli ne uporabljajte naprave z manjkajočimi deli ali naprave, ki je bila preurejena.
- Napravo uporabljajte samo za tiste namene, za katere je bila namenjena.

Splošna navodila za delo

POMEMBNO!

V tem poglavju so navedeni osnovni varnostni predpisi za uporabo pobiralne naprave.

Če se vam zgodi, da dvornite, če je nadaljnja uporaba še primerna, se posvetujte s strokovnjakom. Povprašajte vašega trgovca ali servisno delavnico.

Izogibajte se uporabi, če se ne počutite dovolj usposobljeni.

Osnovna varnostna pravila

Oglejte si okolico in se prepričajte:

- Da v bližini ni ljudi, živali ali predmetov, ki bi lahko vplivali na vašo kontrolo stroja pri delu.
 - Prepričajte se, da nobeden od zgoraj navedenih delov ne more priti v stik s pobiralno napravo ali nepritrjeni predmeti ne bi bili izvrženi.
 - **POZOR!** Nikoli ne uporabljajte stroja, če v primeru nesreče ne morete priklicati pomoči.
- 1 Ne uporabljajte žage v slabih vremenskih razmerah. Takšne razmere so gosta megla, močen dež ali veter, hud mraz, itd. Delo v slabem vremenu utruja bolj kot sicer, obenem pa je povezano z dodatnimi nevarnostmi, kot so poledica.
 - 2 Poskrbite, da lahko na območju dela varno stojite in hodite.
 - 3 Kadarkoli menjate delovni okoliš, mora biti motor ugasnjen.
 - 4 Nikoli ne odložite stroja s prižganim motorjem, če ga ne morete nadzorovati.

NAVODILA ZA VARNO UPORABO

Osnovna tehnika ko šenja in či ščenja podraști

- Zmeraj si zagotovite varen in stabilen delovni položaj.



- Napravo zmeraj držite z obema rokama. Napravo držite ob telesu.
- Z rokami in nogami se med delovanjem motorja ne smete dotikati bobna za pometanje.
- Ko izklopite motor z rokami in nogami ne segajte v območje bobnov za pometanje, dokler se ta ne ustavita popolnoma.
- Po vsakem delovnem momentu naj motor nekaj časa deluje v prostem teku. Če motor dalj časa deluje pri najvišjih obratih, brez obremenitve (brez odpora, ki ga rezilnim priključkom nudi delo s strojem), se lahko resno poškoduje.
- Če se pojavijo močnejše vibracije, izklopite stroj. Odklopite kabel z vžigalne svečke. Prepričajte se, da je stroj ni poškodovan. Popravite vse poškodbe.



OPOZORILO! Pazite na izvržene predmete. Vedno uporabljajte zaščito za oči. Nikoli se ne sklanjajte nad boben za pometanje. Kamni, smeti itd. so lahko izvrženi v oči, kar lahko povzroči slepoto ali resne poškodbe. Preprečite dostop na delovno območje nepoklicanim. Otroci, živali, mimoidoči in tisti, ki vam pomagajo pri delu, morajo biti vedno oddaljeni najmanj 15 m. Takoj ustavite stroj, da se vam kdo približuje. Menjalnik se lahko med uporabo segreje in lahko ostane vroč tudi po uporabi. Ob dotiku se lahko opečete.

- Stroj uporabljajte pri polnem plinu (ali skoraj polnem plinu), pri tem pa se mora boben za pometanje dotikati tal.

Držanje pobiralne naprave nad tlemi je tako naporno kot tudi nepotrebno.

- Pri čiščenju ozkih površin, na primer poti, je mogoče stroj uporabljati tudi tako, da material izvrže naravnost pred vas. Pri čiščenju širših površin boste morda morali delati pod kotom, tako da na eni strani ostaja črta. Črte, v katerih se nabira lahek material, je mogoče za poznejšo

odstranitev pomesti v eno črto ali kupček, težje in večje materiale pa je morda potrebno odstraniti v več črtah.



Da bi dosegli tudi kote, odstranite ščitnik pred pršenjem, sprostite priključek dodatne opreme in dodatno opremo obrnite za pol obrata.



OPOZORILO! Smeti bodo v tem primeru izvržene nazaj proti uporabniku. Pri vzvratnemu delovanju stroja uporabljajte nizko hitrost, pri tem pa ne pozabite, da se lahko spotaknete ob izvržene materiale.

NAVODILA ZA VARNO UPORABO

- Ohranjajte majhen delovni kot. Zaradi prevelikega delovnega kota lahko izgubite nadzor.

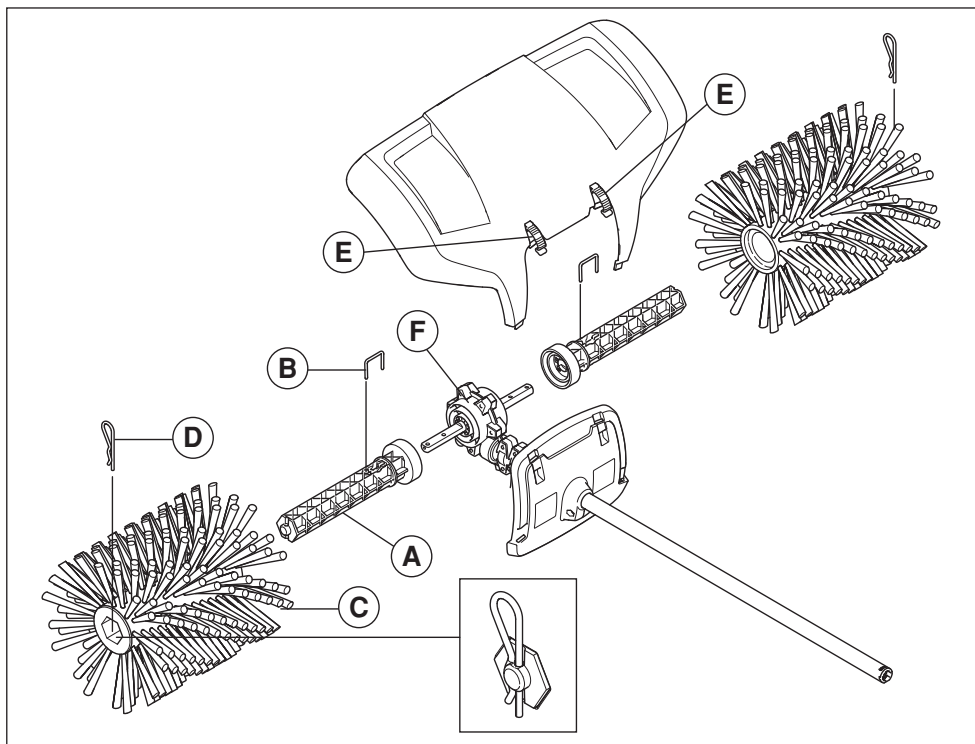


OPOZORILO! Ohranjajte majhen delovni kot do površine. Prevelik delovni kot lahko povzroča premikanje pobiralne naprave proti uporabniku in posledično nevarnost izgube nadzora.

Ob zagonu pobiralne naprave se lahko bobna za pometanje vrtita. Stroj ob zagonu trdno držite. Pazite na predmete, ki se lahko zataknejo ali jih lahko bobna za pometanje izvržeta.

Čprav bobna za pometanje ne delujeta z enako močjo kot, na primer, noži kosilnice, se izogibajte delu z materiali, ki lahko ob izmetu povzročajo osebne poškodbe ali materialno škodo.

MONTAŽA



Nameščanje nastavka za pometanje

- 1 Pritisnite osi bobnov (A) na eno od obeh izhodnih pogonskih gredi iz ohišja menjalnika (F). Os bobna po potrebi obrnite tako, da je odprtina za zatič tik nad ustrezno odprtino v pogonski gredi.
- 2 Vrtljivo gred pritrдите z blokirnim zatičem (B).
- 3 Enega od valjev za boben za pometanje (C) namestite na nameščeno gred. Pritisnite na valj, da se ustavi.
- 4 Valj pritrдите na gred z razcepko (D). Pri nameščanju rahlo pritisnite na koncu.
- 5 Ta postopek ponovite za namestitev osi in valja na nasprotni strani.
- 6 Z natičnimi sponkami (E) pritrдите ščitnik pred pršenjem.
- 7 Za namestitev dodatne opreme na osnovni stroj si oglejte navodila za osnovni stroj.

Urnik vzdrževanja

Sledi nekaj splošnih navodil za vzdrževanje. Če potrebujete še dodatna pojasnila, stopite v stik s servisno delavnico.

POMEMBNO!

Dela na pobiralni napravi pogosto potekajo v prašni okolici. Izjemno pomembno je redno vzdrževanje zračnega filtra, ki je pogosto vsakodnevno. Zračni filter mora biti za zadovoljivo delovanje naoljen.

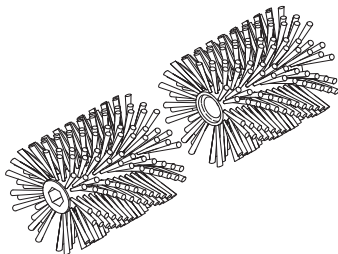
Navodila za vzdrževanje so v navodilih za uporabo.

Vsakodnevno vzdrževanje



OPOZORILO! Med uporabo stroja se ohišje menjalnika močno segreje. Da se ne bi opekli, se ohišja menjalnika ne dotikajte.

- Prepričajte se, da se bobna za pometanje ne vrtita v prostem teku.



- Prepričajte se, da bobna za pometanje nista poškodovana ali počena. Po potrebi zamenjajte bobna za pometanje.
- Krtače med daljšim shranjevanjem obesite.

Prevoz in shranjevanje

- Pri transportu stroja na drugem vozilu vedno uporabite odobrene varnostne naprave in poskrbite, da je stroj varno pritrjen.
- Preden stroj shranite za dalj časa, ga obvezno očistite in dajte na popoln servis.

TEHNIČNI PODATKI

Tehnični podatki

Tehnični podatki

Pometalna naprava **BR600**

Širina bobna za pometanje v mm 597

Premer bobna za pometanje v mm 270

Teža

Te 5,5

Emisije hrupa

(glej opombo 1)

Moč hrupa, izmerjena dB(A) 105

Moč hrupa, zagotovljena L_{WA} dB(A) 109

Zvočni nivoji

(glejte op. 2)

Ekvivalenca pritiska zvoka na uporabnikovo uho, merjena po EN ISO 22868, dB(A): 96

Vibracije

(glejte op. 3)

Ekvivalenca nivoja vibracij ($a_{hv,eq}$) v ročajih, izmerjena v skladu z EN ISO 22867, m/s^2 .

Sprednji/zadnji ročaj: 3,7/6,2

Opomba 1: Izmerjeno skupaj z atestiranimi priključki družbe Husqvarna. Emisija hrupa v okolico merjena kot zvočni efekt (L_{WA}) v skladu z EG direktivo 2000/14/EG. Sporočena raven zvočne moči za napravo je izmerjena z originalnim rezalnim priključkom, s katerim se doseže najvišji nivo. Razlika med zajamčeno in izmerjeno ravno zvočne moči je, da zajamčena raven zvočne moči v skladu z Direktivo 2000/14/ES vključuje tudi razpršitev rezultata meritve in razlike med različnimi napravami istega modela.

Opomba 2: Izmerjeno skupaj z atestiranimi priključki družbe Husqvarna. Sporočeni podatki za ekvivalenco nivoja zvočnega tlaka za napravo imajo tipično statistično razpršitev (standardni odklon) v vrednosti 1 dB (A).

Opomba 3: Izmerjeno skupaj z atestiranimi priključki družbe Husqvarna. Sporočeni podatki za ekvivalenco nivoja vibracij imajo tipično statistično razpršitev (standardni odklon) v vrednosti 1 m/s^2 .

ES-Izjava o skladnosti (Velja le za Evropo)

Husqvarna AB, SE-561 82 Huskvarna, Sweden, tel: +46-36-146500 izjavlja, da dodatna oprema pobiralne naprave **Husqvarna/Jonsered BR600** v skladu z zahtevami DIREKTIVE SVETA:

- z dne 17. maja 2006, ki se nanaša na stroje, **2006/42/ES**.

Uporabljeni so bili naslednji standardi: **SS-EN ISO 12100:2010**

SMP Svensk Maskinprovning AB, Box 7035, SE-750 07 Uppsala, Švedska, je za Husqvarna AB opravil prostovoljno tipsko kontrolo.

To opremo je dovoljeno uporabljati samo v povezavi z orodjem (rotacijsko kosilnico/trimerjem), za katerega je predvidena. Glejte poglavje "Odobrena oprema" v poglavju 'Tehnični podatki' v navodilih za uporabo orodja. Certifikati imajo naslednje številke: **SEC/15/2412** – BR600

Husqvarna, 18. februarja 2015



Per Gustafsson, šef razvoja (Pooblaščen predstavnik za Husqvarna AB in odgovorni za tehnično dokumentacijo.)

EXPLICAȚIA SIMBOLURILOR

Simboluri

AVERTISMENT!

Dacă este utilizat incorect sau neatent, măturătoarea poate cauza răni grave sau fatale operatorului sau altor persoane. Este foarte important să citiți și să înțelegeți conținutul acestui manual de utilizare.

Citiți cu atenție instrucțiunile de utilizare și asigurați-vă că ați înțeles conținutul înainte de a folosi mașina.

Folosiți întotdeauna:

- O cască de protecție în caz că există riscul ca unele obiecte să cadă
- Dispozitiv de protecție a auzului omologat
- Dispozitive omologate de protecție a ochilor
- Când există pericolul de generare a prafului, trebuie purtată o mască de protecție.

Acest produs corespunde normelor prevăzute în indicațiile CE.

Utilizatorul mașinii va avea grijă ca, în timpul lucrului, nici o persoană și nici un animal să nu se apropie la o distanță mai mică de 15 metri.

Folosiți întotdeauna mănuși de protecție omologate.

Folosiți încălțăminte ce nu alunecă și stabilă.

Feriți-vă toate părțile corpului de suprafețele fierbinți.

Avertisment: piese rotative. Feriți mâinile și picioarele.



Atenție la obiecte proiectate și de ricoșeuri.

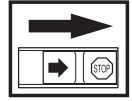


Producere de zgomot în mediul înconjurător conform directivei Comunității Europene. Nivelul de zgomot al mașinii este indicat în capitolul Date tehnice cât și pe etichetă.



Simbolurile suplimentare/etichetele de pe mașină se referă la condiții speciale de certificare pentru anumite piețe de desfacere.

Motorul se oprește deplasând butonul de oprire în poziția de oprire. **ATENȚIE!** Butonul de oprire revine automat în poziția de pornire. Pentru a preveni pornirea accidentală, capacul bujiei trebuie scos de pe bujie în timpul operațiilor de asamblare, verificare și întreținere.



Folosiți întotdeauna mănuși de protecție omologate.



Control vizual.



CUPRINS

Conținut

EXPLICAȚIA SIMBOLURILOR

Simboluri 192

CUPRINS

Conținut 193

Înainte pornirii trebuie observate următoarele: 193

PĂRȚILE COMPONENTE

Care sunt componentele dispozitivului de măturat? 194

INSTRUCȚIUNI DE SIGURANȚĂ

Echipamentul de siguranță al mașinii 195

Echipament personal de protecția muncii 195

Măsuri generale de protecția muncii 196

Instrucțiuni generale de lucru 196

MONTAJ

Asamblarea accesoriului dispozitivului de măturat 199

ÎNȚREȚINERE

Planificarea întreținerii 200

DATE TEHNICE

Date tehnice 201

Declarație de conformitate EC 201

Înainte pornirii trebuie observate următoarele:

Citiți cu atenție instrucțiunile de utilizare și asigurați-vă că ați înțeles conținutul înainte de a folosi mașina.

Aceste instrucțiuni reprezintă un complement al manualului de utilizare care însoțește mașina. Consultați manualul de utilizare pentru orice manipulare suplimentară.

Husqvarna AB lucrează în mod continuu pentru dezvoltarea produselor sale și de aceea își rezervă dreptul de a modifica produsele în ceea ce privește printre altele forma și înfățișarea, fără obligația de a comunica aceasta în prealabil.

Expunere îndelungată la zgomot poate duce la defecte de auz definitive. De aceea folosiți întotdeauna protecția auzului omologată.



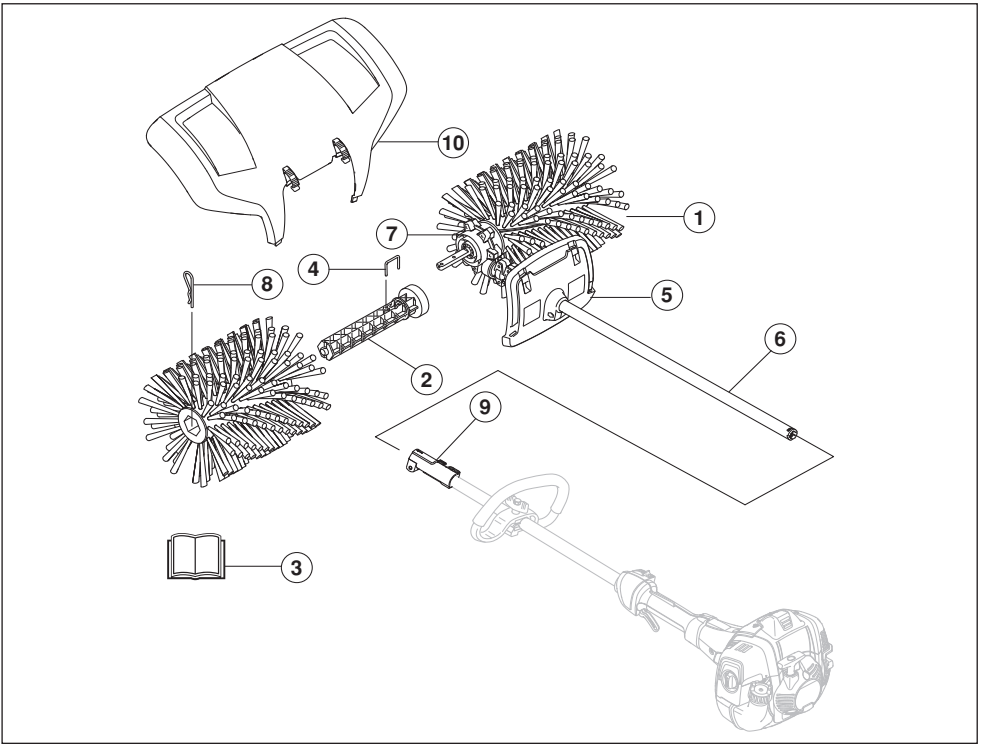
AVERTISMENT! Orice modificare a construcției originale a mașinii este interzisă fără aprobarea fabricantului. Folosiți întotdeauna piese de schimb originale. Modificări sau accesorii neautorizate pot să ducă la răni serioase, sau accidente mortale ale utilizatorului sau a altor persoane.



AVERTISMENT! Acest accesoriu poate fi folosit doar împreună cu fierăstraie de curățire/aparate de tuns iarba pentru care este prevăzut. A se vedea și paragraful "Accesorii admise" din capitolul "Date tehnice" al manualului de utilizare.

Mașina este proiectată numai pentru măturarea aleilor, a drumurilor asfaltate și a altor asemenea căi de acces.

PĂRȚILE COMPONENTE



Care sunt componentele dispozitivului de măturat?

- | | |
|-----------------------------------|--|
| 1 Tambur perie | 6 Tijă |
| 2 Ax tambur | 7 Carcasă angrenaj |
| 3 Instrucțiuni de utilizare | 8 Știft |
| 4 Știft de blocare | 9 Angrenarea tijei (În dotarea standard a mașinii) |
| 5 Protecția (Protecție pe arbore) | 10 Apărătoare de noroi |

INSTRUCȚIUNI DE SIGURANȚĂ

Echipamentul de siguranță al mașinii

În acest capitol se explică diferitele detalii de siguranță ale mașinii, care este rolul lor, precum și controlul și întreținerea ce trebuie executate pentru a vă asigura că acestea funcționează. A se vedea capitolul Părțile componente pentru localizarea acestor detalii pe mașina Dvs.

Durata de folosire a mașinii se poate scurta iar riscul de răniri poate crește dacă întreținerea mașinii nu se efectuează în mod corect și dacă service și/sau reparații nu se efectuează într-un mod profesional. Dacă aveți nevoie de informații suplimentare, contactați atelierul service cel mai apropiat.



AVERTISMENT! Nu folosiți niciodată o mașină cu dispozitiv de siguranță defect. Dispozitivul de siguranță al mașinii trebuie controlat și întreținut conform indicațiilor din acest capitol. Dacă mașina nu face față la toate controalele trebuie luat legătura cu atelierul



AVERTISMENT! Opriiți întotdeauna motorul, înainte de a lucra la orice piesă sau accesoriu. Acesta se poate mișca și după eliberarea manetei de admisie. Asigurați-vă că accesoriul s-a oprit complet și deconectați cablurile de înaltă tensiune de la bujie, înainte de a începe să lucrați la acesta.

Echiptament personal de protecția muncii



AVERTISMENT! La orice folosire a mașinii trebuie folosit un echipament de protecție personal omologat. Echipamentul de protecție personal nu elimină riscul de rănire dar reduce efectul unei răniri în cazul unui accident. Cereți ajutor la magazinul de vânzare pentru alegerea echipamentului. Citiți cu atenție instrucțiunile de utilizare și asigurați-vă că ați înțeles conținutul înainte de a folosi mașina.



AVERTISMENT! Fiți întotdeauna atent la semnale de alarmă sau strigăte atunci când folosiți protecția auzului. Îndepărtați întotdeauna protecția auzului imediat ce ați oprit motorul.

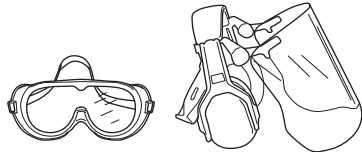
- Mănuși se vor purta atunci când este necesar.



- Protecția auzului cu un efect atenuator suficient trebuie folosită.



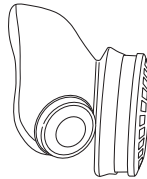
- Dispozitiv omologat de protecție a ochilor trebuie folosit întotdeauna. Dacă se folosește o mască de protecție trebuie să se folosească și ochelari de protecție omologați. Ochelari de protecție omologați înseamnă aceia care îndeplinesc standardul ANSI Z87.1 pentru SUA sau EN 166 pentru țările Pieței Comune. Loviturile cauzate de ramurile sau de obiectele azvârlite pot vătăma ochii.



- Folosiți încălțăminte ce nu alunecă și stabilă.



- Purtați întotdeauna pantaloni lungi, groși, cizme, mănuși și o bluză cu mâneci lungi. Pericol de vătămări corporale din cauza prinderii obiectelor în piesele rotative. Nu purtați haine largi, eșarfe, bijuterii etc. Părul lung trebuie prins deasupra nivelului umerilor.
- Când există pericolul de generare a prafului, trebuie purtată o mască de protecție.



- Trusa de prim ajutor trebuie să fie întotdeauna la îndemână.



INSTRUCȚIUNI DE SIGURANȚĂ

Măsurile generale de protecția muncii

IMPORTANT!

Folosiți mașina numai în scopurile prevăzute. Mașina este proiectată numai pentru măturarea aleilor, a drumurilor asfaltate și a altor asemenea căi de acces.

Nu folosiți niciodată mașina dacă sunteți obosit, dacă ați băut alcool, sau dacă ați luat medicamente care vă influențează vederea, judecata, sau coordonarea mișcărilor.

Utilizați echipamentul individual de protecție recomandat în manual pentru mașina de bază. Cereți ajutorul dealerului dv. pentru a alege echipamentul de protecție corect.

Nu folosiți niciodată o mașină care a fost modificată și nu mai corespunde construcției originale.

Nu folosiți niciodată mașina în condiții climatice extreme, cum ar fi ger aspru sau căldură mare și/sau climat umed.

Nu utilizați niciodată un aparat care este defect. Efectuați verificările de siguranță, operațiile de întreținere și de service descrise în acest manual. Anumite operații de întreținere și de service trebuie efectuate de specialiști instruiți și calificați. Consultați instrucțiunile din subcapitolul *Întreținerea*.

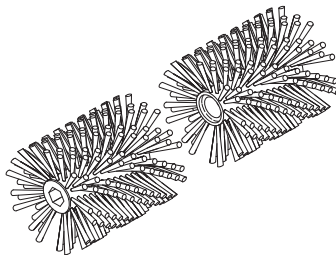
- Nu permiteți niciodată copiilor să folosească mașina.
- Utilizatorul mașinii va avea grijă ca, în timpul lucrului, nici o persoană și nici un animal să nu se apropie la o distanță mai mică de 15 metri.
- Nu lăsați niciodată o altă persoană să folosească mașina înainte de a vă asigura că conținutul din instrucțiunile de folosire sunt înțelese.

Instrucțiuni de siguranță înainte de pornire



- Nu permiteți persoanelor neautorizate să se apropie. Copii, animale, observatori și colaboratori trebuie să se mențină în afara zonei de siguranță de 15 metri. Opriti mașina imediat ce observați că o persoană se apropie.
- Controlați întreaga mașină înainte de începerea lucrului. Înlăcați piesele deteriorate. Verificați că nu există posibilitatea de scurgere a combustibilului și că toate protecțiile și toate carcasa de protecție sunt întregi și bine fixate. Verificați toate șuruburile și piulițele.

- Verificați dacă tamburii periei nu sunt deteriorați și nu prezintă semne de fisuri sau alte daune.



Atunci când porniți la rece:

- Porniți mașina pentru încălzire și apoi opriți-o.
- Montați accesoriul conform instrucțiunilor de asamblare.
- Atunci când reglați carburatorul, asigurați-vă că tamburii periei sunt fixați pe sol și că nu se află nimeni în apropiere.
- Asigurați-vă că tamburii funcționează la ralanti.
- Asigurați-vă că mânerul și caracteristicile de siguranță sunt funcționale. Nu utilizați niciodată o mașină care are părți componente lipsă sau care a fost modificată necorespunzător specificațiilor.
- Folosiți mașina numai în scopurile prevăzute.

Instrucțiuni generale de lucru

IMPORTANT!

Această secțiune descrie instrucțiunile de siguranță fundamentale pentru utilizarea periei.

Dacă vă găsiți într-o situație în care vă simțiți nesigur în legătură cu continuarea folosirii sfatului unui specialist. Luați legătura cu magazinul de vânzare sau cu atelierul de reparații.

Evitați orice folosire pentru care nu vă considerați suficient calificat.

Reguli de bază de siguranță

Priviți în jurul Dvs.:

- Pentru a vă asigura că nu se află persoane, animale sau obiecte care vă pot influența controlul asupra mașinii.
 - Asigurați-vă că niciunul dintre factorii de risc de mai sus nu intră în contact cu măturătoarea sau că obiectele nefixate nu sunt proiectate.
 - **ATENȚIE!** Nu folosiți niciodată mașina dacă nu puteți cere ajutorul cuiva în caz de accident.
- 1 Evitați folosirea în vreme proastă. Ca de exemplu ceață deasă, ploaie puternică, vânt tare, frig excesiv, etc. A lucra în vreme friguroasă este obositor, și produce situații periculoase, cum ar fi teren alunecos.
 - 2 Asigurați-vă că puteți înainta și sta în mod sigur.
 - 3 Motorul trebuie oprit înainte de a mișca utilajul.
 - 4 Nu lăsați mașina pe pământ cu motorul în funcțiune, decât dacă o aveți sub observație.

INSTRUCȚIUNI DE SIGURANȚĂ

Reguli principale de lucru

- Convingeți-vă că aveți o poziție de lucru sigură și stabilă.



- Utilizați întotdeauna ambele mâini pentru a susține mașina. Țineți mașina lateral față de corp.
- Asigurați-vă că mâinile și picioarele nu se apropie de perie, atunci când motorul este pornit.
- Atunci când motorul este oprit, țineți mâinile și picioarele la distanță de perie, până când aceasta se oprește complet.
- După fiecare moment de lucru aduceți motorul la turația de mers în gol. Funcționarea prea îndelungată fără sarcină la motor (fără rezistența pe care motorul o primește de la dispozitivul de tăiere în timpul lucrului cu mașina) poate duce la deteriorarea serioasă a motorului.
- Dacă se produc vibrații puternice, opriți mașina. Deconectați cablul de aprindere de la bujie. Controlați că mașina nu este deteriorată. Reparați eventuale defecte.



AVERTISMENT! Fiți atenți la obiectele azvârlite. Purtați întotdeauna ochelari de protecție. Nu vă aplecați peste tamburul periei. Pietrele, gunoiul etc. pot fi azvârlite în ochi, cauzând orbire sau vătămare gravă. Nu permiteți persoanelor neautorizate să se apropie. Copii, animale, observatori și colaboratori trebuie să se mențină în afara zonei de siguranță de 15 metri. Opriți mașina imediat ce observați că o persoană se apropie. Angrenajul se poate înfierbânta în timpul utilizării și poate rămâne fierbinte câteva timp după aceea. Dacă îl atingeți, vă poate provoca arsuri.

- Lăsați mașina să funcționeze la putere maximă (sau aproape maximă) cu peria sprijinită pe suprafață.

Este obositor și inutil să ridicați sau să mențineți peria deasupra suprafeței, atunci când lucrați.

- Atunci când curățați suprafețe înguste, precum alei, mașina poate fi utilizată astfel încât să proiecteze materialele înainte. Dacă doriți să lucrați pe suprafețe mai largi, trebuie să lucrați în unghi, astfel încât materialele să fie degajate în șiruri laterale. Șirurile care conțin materiale ușoare pot fi colectate într-un rând sau la un loc pentru îndepărtare ulterioară, în timp ce materialele dure sau mai voluminoase pot necesita colectarea în mai multe șiruri.



Pentru a ajunge în colțuri, scoateți apărătoarea de noroi, slăbiți cuplajul accesoriului și rotiți accesoriului jumătate de rotație.



AVERTISMENT! Apoi resturile vor fi aruncate înapoi spre utilizator. Utilizați o viteză mai mică, atunci când vă deplasați cu spatele și rețineți că vă puteți împiedica ușor de materialele proiectate.

INSTRUCȚIUNI DE SIGURANȚĂ

- Mențineți un unghi mic de lucru. Un unghi de lucru prea mare poate cauza pierderea controlului.

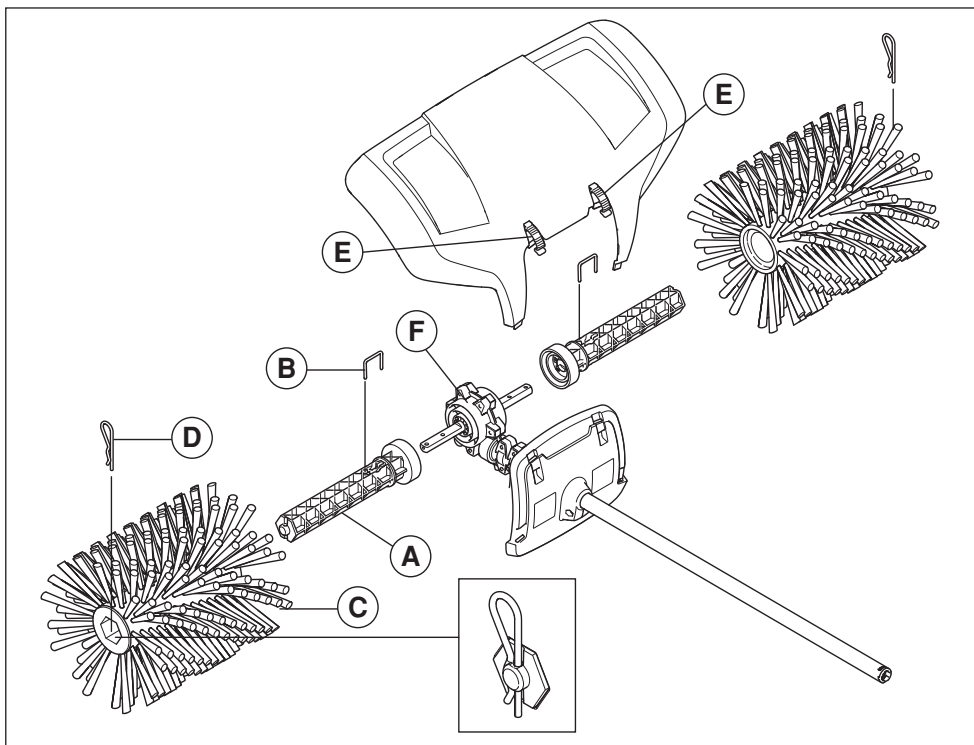


AVERTISMENT! Mențineți un unghi mic de lucru față de suprafață. Un unghi de lucru prea mare înseamnă că dispozitivul de măturat tinde să se deplaseze spre dvs. și riscați să pierdeți controlul mașinii.

Tamburii periei se pot roti, atunci când dispozitivul de măturat este pornit. Țineți mașina bine, atunci când porniți. Fiți atenți la obiectele care pot rămâne în sau pot fi aruncate din tamburii periei rotative.

Deși tamburii periei nu au aceeași forță ca și lamele mașinii de tuns iarba, de exemplu, trebuie să evitați să lucrați cu materiale care pot cauza răniri grave sau pagube materiale, dacă sunt proiectate.

MONTAJ



Asamblarea accesoriului dispozitivului de măturat

- 1 Apăsați unul dintre axurile tamburului (A) pe unul dintre cei doi arbori conducători de ieșire din carcasa angrenajului (F). Rotiți axul tamburului, dacă este necesar, astfel încât orificiul pentru știft să se afle deasupra orificiului corespunzător din arborele conducători.
- 2 Fixați arborele rolei cu știftul de blocare (B).
- 3 Puneți una dintre rolele periei (C) pe arborele asamblat. Apăsați rola înăuntru până când se oprește.
- 4 Fixați rola pe arbore cu un știft cu cap și gaură (D). Atunci când montați apăsați ușor capătul înăuntru.
- 5 Repetați acești pași pentru a monta puntea și rola pe partea opusă.
- 6 Montați apărătoarea de noroi cu ajutorul capselor (E).
- 7 Pentru asamblarea accesoriilor pe un model de bază, consultați manualul mașinii respective.

Planificarea întreținerii

Mai jos găsiți câteva instrucțiuni generale de întreținere. Dacă vă sunt necesare informații suplimentare, adresați-vă atelierului de întreținere.

IMPORTANT!

Lucrul cu dispozitivul de măturat are loc adesea în condiții de praf. Este extrem de important să efectuați întreținerea filtrului de aer periodic, adesea zilnic. Filtrul de aer trebuie uns pentru a funcționa satisfăcător.

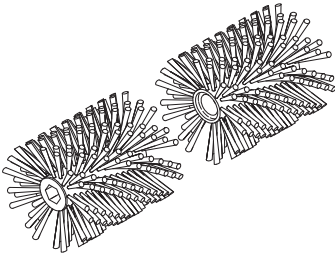
Consultați manualul de utilizare a produsului pentru instrucțiuni de întreținere.

Întreținere zilnică



AVERTISMENT! Carcasa angrenajului devine fierbinte după utilizarea dispozitivului. Pentru a evita să vă ardeți nu atingeți carcasa angrenajului.

- Verificați dacă tamburii periei nu se rotesc la ralanti.



- Verificați ca tamburii periei să nu fie deteriorați sau fisurați. Înlocuiți tamburii periei, dacă este necesar.
- Suspendați peria, atunci când o depozitați pe perioade lungi.

Transport și depozitare

- Dacă transportați utilajul pe un alt vehicul, utilizați întotdeauna dispozitive de fixare aprobate și asigurați-vă că acesta este fixat bine.
- Aveți grijă ca mașina să fie bine curățată și ca un service complet să fie efectuat înainte de depozitare pe termen îndelungat.

DATE TEHNICE

Date tehnice

Date tehnice

Dispozitiv de măsurat **BR600**

Lățime tambur perie, mm 597

Diametru tambur perie, mm 270

Greutate

Greutate, Livre/kg 5,5

Producere de zgomot

(vezi nota 1)

Nivelul efectului sonor, măsurat dB(A) 105

Nivelul efectului sonor, garantat L_{WA} dB(A) 109

Nivele de zgomot

(vezi nota 2)

Nivel echivalent al presiunii zgomotului la urechea utilizatorului, măsurat conform cu EN ISO 22868, dB(A): 96

Vibrații

(vezi nota 3)

Nivelele echivalente de vibrații ($a_{hv,eq}$) la mână, măsurate în conformitate cu EN ISO 22867, m/s^2

Mânăre față/spate: 3,7/6,2

Nota 1: Măsurate cu accesorii aprobate de Husqvarna. Producere de zgomot în mediul înconjurător măsurat ca și efect sonor (L_{WA}) conform directivei EG 2000/14/EG. Nivelul de putere a sunetului raportat pentru aparat a fost măsurat cu accesoriul original de tăiere care emite cel mai ridicat nivel. Diferența dintre puterea garantată a sunetului și cea măsurată este aceea că puterea garantată a sunetului include, de asemenea, dispersia în rezultatul de măsurare și variațiile dintre diferitele aparate ale aceluiași model conform Directivei 2000/14/EC.

Nota 2: Măsurate cu accesorii aprobate de Husqvarna. Datele raportate pentru nivelul echivalent de presiune a zgomotului pentru aparat includ o dispersie statistică tipică (deviere standard) de 1 dB (A).

Nota 3: Măsurate cu accesorii aprobate de Husqvarna. Datele raportate pentru nivelul echivalent de vibrații includ o dispersie statistică tipică (deviere standard) de 1 m/s^2 .

Declaratie de conformitate EC (Valabil doar în Europa)

Husqvarna AB, SE-561 82 Huskvarna, Suedia, tel.: +46-36-146500 declară că accesoriul perie **Husqvarna BR600/Jonsered BR600** respectă cerințele din DIRECTIVA CONSILIULUI:

- din 17 mai 2006 „referitoare la aparat” **2006/42/EC**.

Au fost aplicate următoarele standarde: **SS-EN ISO 12100:2010**

SMP Svensk Maskinprovning AB, Box 7035, SE-750 07 Uppsala, Suedia, a efectuat un control voluntar al tipului pentru Husqvarna AB.

Acest accesoriu poate fi folosit doar împreună cu fierăstraie de curățire/aparate de tuns iarba pentru care este prevăzut. A se vedea și paragraful “Accesorii admise” din capitolul “Date tehnice” al manualului de utilizare. Certificatele au numerele: **SEC/15/2412** - BR600

Huskvarna 18 februarie 2015



Per Gustafsson, director de dezvoltare (Reprezentant autorizat pentru Husqvarna AB și responsabil cu documentația tehnică.)

SEMBOLERİN AÇIKLANMASI

Semboller

UYARI!

Süpürücü, hatalı veya dikkatsiz kullanılırsa tehlikeli olabilecek bir alettir. Operatör veya diğer kişiler için ciddi veya ölümcül yaralanmalara neden olabilir. Bu Kullanım Kılavuzunun içeriğini okumanız ve anlamanız son derecede önemlidir.



Makineyi kullanmadan önce kullanım kılavuzunu iyice okuyarak içeriğini kavrayınız.



Her zaman kullanılması gereken malzemeler:

- Nesnelerin düşme riskine karşı koruyucu kask
- Onanmış koruyucu kulaklık
- Gözlerin korunması onaylanmıştır
- Toz riski varken solunum maskesi kullanılmalıdır.



Bu ürün geçerli CE direktiflerine uygundur.



Makineyi kullanan kişi, çalışma esnasında kendisine insanların veya hayvanların 15 metreden daha fazla yaklaşmasına izin vermemelidir.



Her zaman onanmış koruyucu eldivenler kullanılmalıdır.



Kaygan olmayan ve sağlam çizmeler kullanınız.



Vücudunuzun tüm bölümlerini sıcak yüzeylerden uzak tutun.



Uyarı: döner parçalar. Ellerinizi ve ayaklarınızı uzak tutun.



Testereyle çalışmaya başlarken sakın olmaya özen gösteriniz.

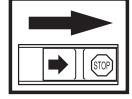


Çevreye verdiği gürültü emisyonları Avrupa Birliği'nin direktiflerine uygundur. Makinenin emisyonları Teknik bilgiler bölümünde ve etikette belirtilmiştir.

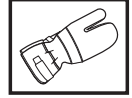


Makina üzerindeki diğer semboller/etiketler kimi pazarlarda onay almak için gerekli özel koşullarla ilgilidir.

Motor, anahtar durdurma konumuna getirilerek kapatılır. **DİKKAT!** Durdurma anahtarı otomatik olarak çalıştırma konumuna döner. Motorun istenmeden çalışmasını önlemek için montaj sırasında, motoru kontrol ederken ve/veya bakım yaparken buji kapaklarının çıkarılması gerekir.



Her zaman onanmış koruyucu eldivenler kullanılmalıdır.



Gözle bakarak kontrol.



İÇİNDEKİLER

İçindekiler

SEMBOLLERİN AÇIKLANMASI

Semboller 202

İÇİNDEKİLER

İçindekiler 203

Başlamadan önce aşağıdaki konulara dikkat ediniz: 203

NE NEDİR?

Süpürücüde ne nedir? 204

GÜVENLİK AÇIKLAMALARI

Makinenin güvenlik donanımı 205

Kişisel koruyucu araçlar 205

Genel güvenlik açıklamaları 206

Genel çalışma açıklamaları 206

MONTAJ

Süpürücü aksesuarını monte etme 209

BAKIM

Bakım şeması 210

TEKNİK BİLGİLER

Teknik bilgiler 211

Uygunluk konusunda AB deklarasyonu 211

Başlamadan önce aşağıdaki konulara dikkat ediniz:

Makineyi kullanmadan önce kullanım kılavuzunu iyice okuyarak içeriğini kavrayınız.

Bu talimatlar, makine ile birlikte verilen talimatları tamamlar. Diğer prosedürler için lütfen makinenin çalışma talimatlarına başvurun.

Husqvarna AB ürünlerini sürekli olarak geliştirmeye çalışmaktadır, bu yüzden ürünlerin biçim ve görünüşleri konusunda önceden haber vermeksizin değişiklik yapma hakkımız saklıdır.

Kesme işlemini yaparken uzun süre gürültüye maruz kalma, duyma bozukluğuna yol açabilir. Bu nedenle daima onaylanmış bulunan, gürültüye karşı koruma cihazı kullanınız.



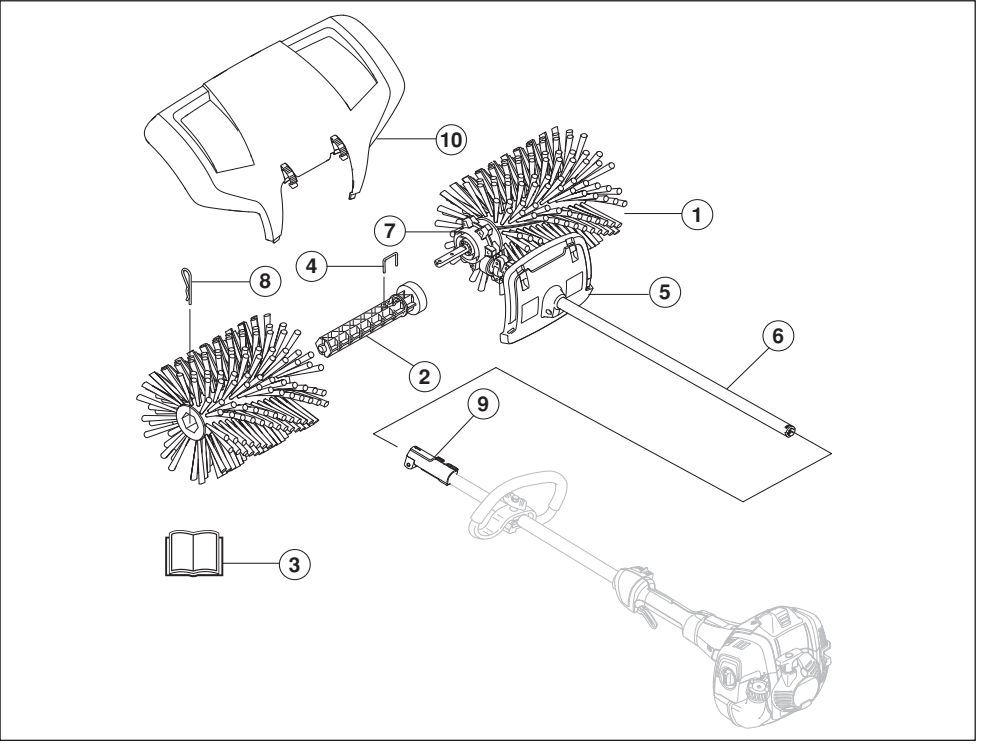
UYARI! İmalatçının izni olmaksızın makinenin orijinal yapısı hiçbir biçimde değiştirilemez. Her zaman orijinal yedek parça kullanılmalıdır. Yetkili olmayan kişiler tarafından yapılan değişiklikler ve/veya orijinal olmayan parçalar, kullanıcının yaralanmasına ya da ölümüne neden olabilir.



UYARI! Bu aksesuar sadece çalı trpanı/biçici ile kullanılmak üzere tasarlanmıştır. Makinenin Kullanım Kılavuzundaki Teknik veriler bölümünün “Onaylı aksesuarlar” başlıklı konusuna bakınız.

Makine yalnızca bahçe yollarını, asfalt yolları ve benzeri yerleri süpürmek için tasarlanmıştır.

NE NEDİR?



Süpürücüde ne nedir?

- | | |
|----------------------------------|---|
| 1 Tambur fırça | 6 Teçhizat borusu |
| 2 Tambur aksı | 7 Dişli kovanı |
| 3 Kullanım kılavuzu | 8 Kopilya |
| 4 Kilit pimi | 9 Bağlantı borusu (Temel makineye aittir) |
| 5 Koruma (Mil üzerindeki koruma) | 10 Sıçrama koruyucusu |

GÜVENLİK AÇIKLAMALARI

Makinenin güvenlik donanımı

Bu bölümde, makinenin güvenlik donanımı konusunda ayrıntıların neler olduğu, bunların hangi işlevlere sahip bulunduğu ve doğru çalışıp çalışmadığına emin olmak için kontrol ve bakımının nasıl gerçekleştirileceği açıklanmaktadır. Bu teçhizatın makinenin neresinde olduğunu görmek için Ne nedir? bölümüne bakınız.

Makine doğru bir şekilde kullanılmaz ve gerekli onarımlar ve bakımlar yetkili servis ve bilirkişiler tarafından yapılmazsa, o takdirde makinenin ömrünün uzunluğu kısalabilir ve kaza riski artabilir. Eğer daha fazla bilgiye ihtiyacı duyuyorsanız, en yakın servis istasyonuna başvuruda bulununuz.



UYARI! Bozuk güvenlik gereçlerine sahip bir makineyi asla kullanmayınız. Bu bölümde belirtilen kontrolleri ve bakım önlemlerini uygulayınız. Makineniz bu denetimlerden herhangi birisinde takılırsa onarım için servis ajanınıza başvurunuz.



UYARI! Aksesuarın herhangi bir parçası üzerinde işlem yapmadan önce her zaman moturu durdurun. Gaz bırakıldıktan sonra bile hareket etmeye devam edebilir. Aksesuar üzerinde herhangi bir işlem yapmadan önce aksesuarın tamamen durduğundan emin olun ve HT kabloğunu bujiden çıkarın.

Kişisel koruyucu araçlar



UYARI! Makineyi her kullandığınızda, onaylanmış kişisel koruyucu araçlar kullanmalısınız. Kişisel koruyucu araçlar sakatlanma tehlikesini ortadan kaldırmazlar da, herhangi bir kazanın meydana gelmesi durumunda yaralanma derecesini azaltırlar. Uygun kişisel koruyucu araçlar seçmekte satıcınızın yardımını isteyiniz. Makineyi kullanmadan önce kullanım kılavuzunu iyice okuyarak içeriğini kavrayınız.

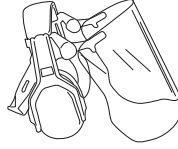


UYARI! Gürültüye karşı koruma cihazı kullanılırken, uyarı sinyallerine ve seslerine karşı daima dikkatli olunuz. Motor durdurulduktan hemen sonra, gürültüye karşı koruma cihazını çıkartınız.

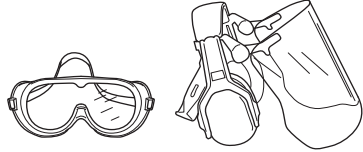
- Eldivenler ihtiyaç duyulduğu zaman kullanılabilir.



- Gürültüye karşı koruma cihazı, yeterli bir susturucu etkisi sağlıyorsa kullanılmalıdır.



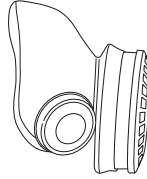
- Daima onaylanmış bulunan göz koruma cihazları kullanılmalıdır. Miğferin ön parçasında kullanılan koruma gözlüğü de mutlaka onaylanmış olmalıdır. Koruma gözlüğünün onaylanması demek, ABD'nin ANSI Z 87.1. standartları na veya AB ülkelerinin EN 166 standartları için aranan şartlara uygun olması anlamına gelir. Fırlayan dallar veya nesnelere göze zarar verebilir.



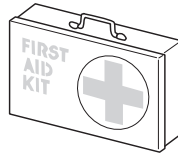
- Kaygan olmayan ve sağlam çizme kullanınız.



- Her zaman kalın, uzun pantolon; çizme, eldiven ve uzun kollu gömlek giyin. Döner parçalara çekilen nesnelere yaralanmaya neden olması riskini azaltmak için bol giysiler, eşarplar, takılar vb. eşyalar kullanmayın. Saçınızı omuzlarınızdan aşağı inmeyecek şekilde toplayın.
- Toz riski varken solunum maskesi kullanılmalıdır.



- İlk yardım çantası her zaman kolay ulaşılabilecek yerde olmalıdır.



GÜVENLİK AÇIKLAMALARI

Genel güvenlik açıklamaları

ÖNEMLİ!

Makineyi sadece tasarlandığı amaç için kullanın. Makine yalnızca bahçe yollarını, asfalt yolları ve benzeri yerleri süpürmek için tasarlanmıştır.

Yorgun ya da içkili iken ya da görüş, karar verme ve bedensel denetim yeteneklerinizi etkileyebilecek olan bir ilaç almışsanız makineyi asla kullanmayınız.

Temel makine için kılavuzda önerilen kişisel koruyucu araçları kullanın. Doğru koruyucu ekipmanı seçmek için satıcınızdan yardım isteyin.

Artık orijinal imalatına benzerliği kalmayacak biçimde yapısal değişikliğe uğratılmış bir makineyi asla kullanmayınız.

Makineyi aşırı derecede soğuk veya çok soğuk ve/veya nemli ortamlarda kullanmayınız.

Hiçbir zaman arızalı bir makineyi kullanmayın. Bu kılavuzda belirtilen güvenlik kontrolleri ile bakım ve servis talimatlarına uyun. Bazı bakım ve servis işlerinin sadece yetkili ve kalifiye teknisyenler tarafından yapılması gerekir. Bakım başlığı altındaki talimatlara bakın.

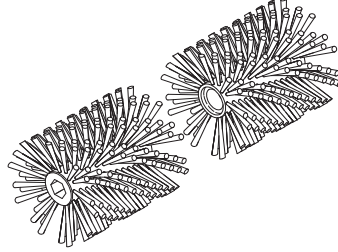
- Hiçbir zaman makineyi çocukların kullanmasına izin vermeyin.
- Makineyi kullanan kişi, çalışma esnasında kendisine insanların veya hayvanların 15 metreden daha fazla yaklaşmasına izin vermemelidir.
- Kullanım kılavuzu içeriğini anladığından emin olmadan hiçbir kimsenin makineyi kullanmasına izin vermeyin.

Çalışma öncesi güvenlik talimatları



- Yetkili olmayan kişileri kesim alanının dışında tutunuz. Çocukları, hayvanları, kesimi izleyen izleyicileri ve kesime yardımcı olan kişileri, kesim esnasında güvenlik bölgesinin 15 metre uzağında tutunuz. Herhangi bir kişi makineye yaklaştığında, hemen makineyi durdurunuz.
- Çalışmaya başlamadan önce makinenin tamamını kontrol edin. Hasarlı parçaları değiştirin. Yakıt sızıntısı olup olmadığını ve tüm korumaların ve kapakların tam ve sıkıca sabitlenmiş olup olmadığını kontrol edin. Tüm somunları ve vidaları kontrol edin.

- Tambur fırçanın hasarlı olup olmadığını ve çatlama ya da benzeri bir hasar belirtisi gösterip göstermediğini kontrol edin.



Soğuk makineyi çalıştırırken:

- Temel makine ısıtma işlemini gerçekleştirin, ardından makineyi kapatın.
- Aksesuarı montaj talimatlarına uygun şekilde monte edin.
- KARBÜRATÖRÜ ayarlarken tambur fırçaların yere doğru tutulduğundan ve etrafı kimsenin olmadığından emin olun.
- Tambur fırçaların boşta çalıştığından emin olun.
- Elciklerin ve güvenlik önlemlerinin çalışır durumda olduğundan emin olun. Hiçbir zaman parçası eksik veya şartnamesine aykırı olarak değişiklik yapılmış makineleri kullanmayın.
- Makineyi sadece tasarlandığı amaç için kullanın.

Genel çalışma açıklamaları

ÖNEMLİ!

Bu bölüm, fırçanın kullanımıyla ilgili temel güvenlik kurallarını açıklamaktadır.

Cihazın kullanılması esnasında, emin olmadığımız herhangi bir durumda karşılaşırsanız bir bilirkişiye danışınız. Bu durumda satıcıyla veya servisinizle temasa geçiniz.

Yeterli derecede kaliteli olmayan ve çok zor ustalık gerektiren ürünleri kullanmaktan kaçınınız.

Temel güvenlik kuralları

Çevrenize dikkat ediniz:

- İnsan, hayvan ya da başka birşeyin, makine üzerindeki denetiminizi engelleyemeyeceğinden emin olunuz.
 - Yukarıdakilerin süpürücüyle veya fırlayan nesnelere temas etme riski olmadığından emin olun.
 - **DİKKAT!** Herhangi bir kaza durumunda, yardım olmadan asla bir daha makineyi çalıştırmayınız.
- 1 Kötü hava koşullarında çalışmaktan kaçınınız. Örneğin yoğun sis, kaygan zemin, ağacın düşme yönünü etkileyecek hava koşulları v.b. Kötü havada çalışmak yorucudur ve kaygan zemin, ağacın düşme yönü v.b. gibi konularda.
 - 2 Hareket edebilme ve ayakta durabilme olanağınızın olmasına özen gösteriniz.

GÜVENLİK AÇIKLAMALARI

- 3 Makinenin yanından ayrılma veya makinenin taşınması durumunda motor mutlaka durdurulmalıdır.
- 4 Makinenin motorunu, kullanmadığınız zaman ve yanında bulunmadığınız zaman çalışır vaziyette bırakmayınız.

Çalışma tekniğinin temeli

- Her zaman güvenli ve sağlam bir çalışma pozisyonunda olduğunuzdan emin olun.



- Makineyi tutmak için her zaman iki elinizi kullanın. Makineyi vücudunuzun yan tarafında tutun.
- Motor çalışırken ellerinizi ve ayaklarınızı fırçaya yaklaştırmayın.
- Motor kapatıldığında, fırça tamamen durana kadar ellerinizi ve ayaklarınızı fırçadan uzak tutun.
- Her çalıştırmadan sonra motorun rölanti hızına düşmesini sağlayın. Tam gazda, motora hiç yük binmeden (yani makineyi kullandığınızda kesme donanımının motora uyguladığı direnç olmadan) geçirilen uzun süreler, motorun ciddi biçimde hasar görmesine neden olabilir.
- Şiddetli titreşim olursa makineyi durdurun. HT kablosunu bujiden sökün. Makinenin hasarlı olup olmadığını kontrol edin. Hasarları tamir edin.



UYARI! Fırlayan nesnelere karşı dikkatli olun. Her zaman koruyucu gözlük takın. Asla tambur fırçanın üzerine eğilmeyin. Taşlar, çöpler vs. gözlere fırlayabilir ve körlüğe ya da ciddi yaralanmaya neden olabilir. Yetkili olmayan kişileri kesim alanının dışında tutunuz. Çocukları, hayvanları, kesimi izleyen izleyicileri ve kesime yardımcı olan kişileri, kesim esnasında güvenlik bölgesinin 15 metre uzağında tutunuz. Herhangi bir kişi makineye yaklaştığında, hemen makineyi durdurunuz. Kullanım sırasında dişli ısınabilir ve kullanımdan sonra bir süre sıcak kalabilir. Dokunursanız yanabilirsiniz.

- Fırça yüzeye dayanmış durumdayken makineyi tam gaz (veya tam gaza yakın) çalıştırın.

Çalışırken fırçayı kaldırmak veya zeminin yukarısında tutmak, hem yorucu hem de gereksizdir.

- Yol gibi dar yüzeyleri temizlerken makine, nesnelere önünüze atacak şekilde kullanılabilir. Daha geniş yüzeylerde çalışmak istiyorsanız çöplerin bir tarafa birikmesi için açılı şekilde çalışmak isteyebilirsiniz. Hafif maddelerden oluşan çöpler tek sıra veya yığın halinde toplanarak kaldırılabilir. Ağır veya büyük maddelerin birkaç defada toplanması gerekebilir.



Köşelere ulaşmak için sıçrama korumasını çıkarın ve aksesuar kupaajını gevşetip aksesuarı yarım tur döndürün.



UYARI! Sonra, çöpler kullanıcıya doğru fırlatılır. Makineyi ters çevirirken daha düşük bir hız kullanın ve fırlayan maddelere takılabileceğinizi unutmayın.

GÜVENLİK AÇIKLAMALARI

- Çalışma açısını küçük tutun. Çalışma açısı çok büyük olursa kontrolü kaybedebilirsiniz.

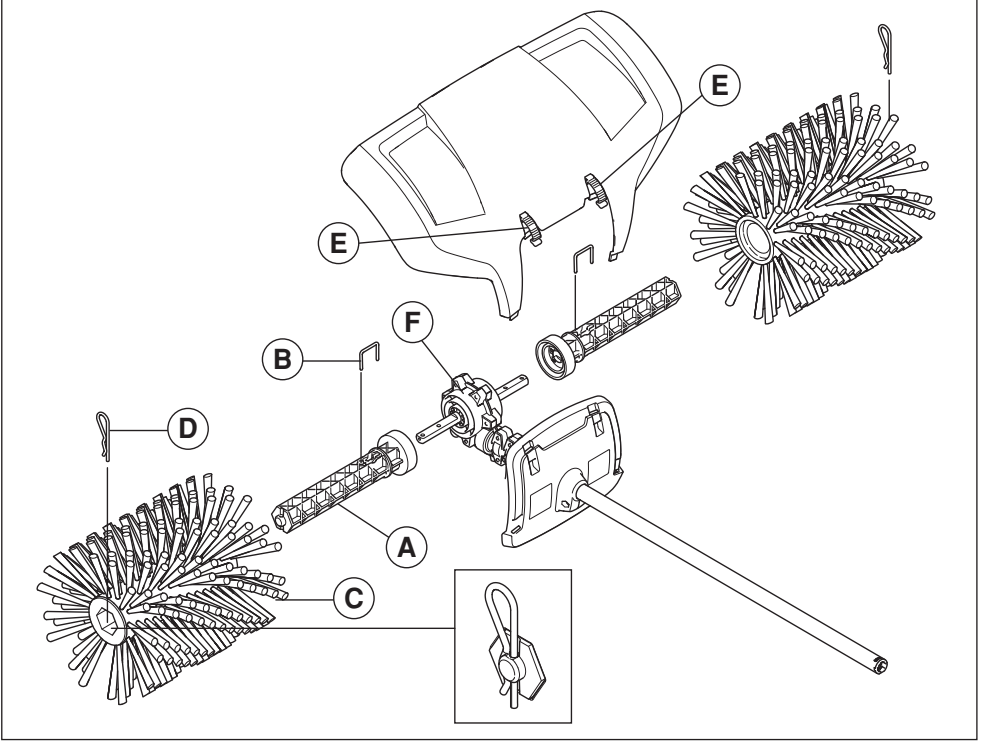


UYARI! Yüze yapılan çalışma açısını küçük tutun. Çalışma açısı çok büyük olursa süpürücü size doğru hareket edebilir ve makinenin kontrolünü kaybedebilirsiniz.

Süpürücü çalıştırıldığında tambur fırçalar dönebilir. Makineyi çalıştırırken sıkıca tutun. Döner tambur fırçalara takılabilecek veya fırlayabilecek nesnelere karşı dikkatli olun.

Tambur fırçalar çim biçme makineleriyle aynı güçte olmasa da, örneğin, fırladığında yaralanmaya veya mal zararına neden olabilecek maddelerle çalışmamalısınız.

MONTAJ



Süpürücü aksesuarını monte etme

- 1 Tambur akslarından (A) birini dişli kovanından (F) çıkan iki hareket milinden birine doğru bastırın. Pim deliğinin hareket milindeki ilgili deliğin üzerine gelmesi için gerekirse tambur aksını döndürün.
- 2 Silindir milini kilit pimiyle (B) sabitleyin.
- 3 Fırça silindirlerinden (C) birini monte edilen milin üzerine yerleştirin. Yerine oturana kadar silindiri bastırın.
- 4 Mil üzerindeki silindiri bir kamayla (D) sabitleyin. Monte ederken ucu hafifçe bastırın.
- 5 Diğer taraftaki aksı ve silindiri monte etmek için bu adımları tekrarlayın.
- 6 Sıçrama korumasını çıkıtlarla (E) monte edin.
- 7 Aksesuarları temel makineye monte etmek için lütfen temel makine kılavuzuna bakın.

Bakım şeması

Aşağıda, genel bakım konusunda bazı açıklamalar bulunmaktadır. Daha fazla bilgiye gereksinim duyuyorsanız o taktirde servisinizle görüşünüz.

ÖNEMLİ!

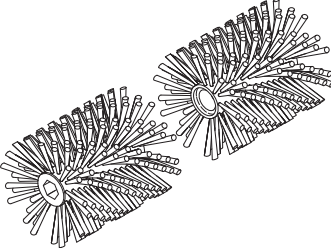
Süpürücü genellikle tozlu ortamlarda kullanılır. Hava filtresinin bakımı mutlaka düzenli olarak, genellikle her gün yapılmalıdır. İyi çalışması için hava filtresi yağlanmalıdır. Bakım talimatları için ürünün kullanım kılavuzuna bakın.

Günlük bakım



UYARI! Dişli kovani makine kullanılırken ısınır. Kendinizi yakmaktan sakınmak için dişli kovana dokunmayın.

- Tambur fırçaların boşa dötüp dönmediğini kontrol edin.



- Tambur fırçaların hasarlı veya çatlamış olup olmadığını kontrol edin. Gerekirse tambur fırçaları değiştirin.
- Fırçayı uzun süre saklayacaksanız asarak saklayın.

Taşıma ve saklama

- Makineyi başka bir araç üzerinde taşıyorsanız daima onaylı sabitleme cihazlarını kullanın ve makinenin güvenli şekilde tutulduğundan emin olun.
- Makinenin iyice temizlenmiş olmasına ve onu uzun süreli koruma altına almadan önce tümüyle yetkili servisin denetiminden geçmiş olmasına özen gösteriniz.

TEKNİK BİLGİLER

Teknik bilgiler

Teknik bilgiler

Süpürücü **BR600**

Tambur fırça genişliği, mm 597

Tambur fırça çapı, mm 270

Ağırlık

Ağırlık 5,5

Gürültü emisyonları

(1 nolu dipnota bakınız)

Ses gücü düzeyi, ölçülmüş dB(A) 105

Ses gücü düzeyi, garantili L_{WA} dB(A) 109

Ses düzeyi

(2 nolu dipnota bakınız)

Kullanıcının kulağına gelen ses basıncının karşılığ ölçülmüş ve EN ISO 22868, dB(A) olarak uygunluğu tespit edilmiştir. 96

Titreşimler

(3 nolu dipnota bakınız)

EN ISO 22867 doğrultusunda, kulplarda ölçülen denk vibrasyon düzeyleri ($a_{hv,eq}$): m/sn^2

Ön/arka elcikler: 3,7/6,2

Not 1: Husqvarna onaylı aksesuarlarla birlikte ölçülmüştür. Çevreye verilen gürültü emisyonu AB direktifi 2000/14/EC uyarınca ses gücü (L_{WA}) olarak ölçülmüştür. Makine için bildirilen ses gücü düzeyi, en yüksek düzeyi veren orijinal kesme ataşmanıyla ölçülmüştür. Garanti edilen ve ölçülen ses gücü arasındaki fark, garantili ses gücünün, 2000/14/AT Sayılı Direktif doğrultusunda, ölçüm sonucundaki dağılımı ve aynı modelden farklı makineler arasındaki değişimleri de içermesidir.

Not 2: Husqvarna onaylı aksesuarlarla birlikte ölçülmüştür. Makinenin denk gürültü basınç düzeyi için bildirilen verilerdeki tipik istatistik dağılım (standart sapma) 1 dB (A) şeklindedir.

Not 3: Husqvarna onaylı aksesuarlarla birlikte ölçülmüştür. Denk vibrasyon düzeyi için bildirilen verilerin tipik istatistik dağılımı (standart sapması) 1 m/sn^2 şeklindedir.

Uygunluk konusunda AB deklarasyonu (Sadece Avrupa için geçerlidir)

Husqvarna AB, SE-561 82 Huskvarna, İsveç, Tel +46-36-146500, **Husqvarna BR600 / Jonsered BR600** Süpürücü aksesuarının KONSEY DİREKTİFİ gereksinimleri ile uyumlu olduğunu beyan eder:

- 17 Mayıs 2006 tarihli, "makinelerle ilgili", **2006/42/EC**.

Uygulanan standartlar: **SS-EN ISO 12100:2010**

SMP Svensk Maskinprovning AB, Box 7035, SE-750 07 Uppsala, İsveç, Husqvarna AB adına gönüllü sınamayı gerçekleştirmiştir.

Bu aksesuar sadece çalı tırpanı/biçici ile kullanılmak üzere tasarlanmıştır. Makinenin Kullanım Kılavuzundaki Teknik veriler bölümünün "Onaylı aksesuarlar" başlıklı konusuna bakınız. Sertifikaların numaraları: **SEC/15/2412** - BR600

Huskvarna, 18 şubat 2015



Per Gustafsson, Geliştirme müdürü (Husqvarna AB yetkili temsilcisi ve teknik dokümantasyon sorumlusu.)

ПОЯСНЕНИЕ СИМВОЛОВ

Условные обозначения

ПРЕДУПРЕЖДЕНИЕ!

При неправильной или небрежной эксплуатации щетка может быть опасным инструментом, который может причинить серьезные повреждения или травму со смертельным исходом для оператора или для других лиц. Чрезвычайно важно, чтобы Вы прочитали настоящее Руководство и поняли его содержание.



Прежде чем приступить к работе с машиной внимательно прочитайте инструкцию и убедитесь, что Вам все понятно.



Всегда используйте:

- Защитная каска в тех случаях, когда существует вероятность падения предметов
- Специальные шумозащитные наушники
- Проверенные защитные очки
- При риске пыли, пользуйтесь респиратором.



Эта продукция отвечает требованиям соответствующих нормативов ЕС.



Пользователь машиной должен убедиться в том, что в радиусе 15 м во время работы нет людей или животных.



Пользуйтесь специальными защитными перчатками.



Пользуйтесь не скользящими и устойчивыми сапогами.



Не работайте вблизи горячих поверхностей.



Предупреждение: вращающиеся части. Держите руки и ноги на безопасном расстоянии.



Берегитесь отскакивающих предметов и рикошетов.

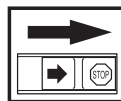


Эмиссия шума в окружающую среду согласно Директиве Европейского Сообщества. Эмиссия машины приведена в главе 'Технические характеристики' и на табличке.



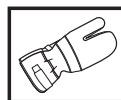
Другие символы/наклейки на машине относятся к специальным требованиям сертификации на определенных рынках.

Двигатель выключается переводом выключателя в положение остановки.



Обратите внимание! Контакт остановки автоматически возвращается в положение запуска. Во избежание непроизвольного запуска, колпачок зажигания следует всегда снимать со свечи зажигания при монтаже, проверке и/или обслуживании.

Пользуйтесь специальными защитными перчатками.



Место визуальной проверки.



СОДЕРЖАНИЕ

Содержание

ПОЯСНЕНИЕ СИМВОЛОВ	
Условные обозначения	212
СОДЕРЖАНИЕ	
Содержание	213
Перед запуском проследите за следующим:	213
ЧТО ЕСТЬ ЧТО?	
Основные компоненты щетки	214
ИНСТРУКЦИЯ ПО ТЕХНИКЕ БЕЗОПАСНОСТИ	
Устройства безопасности машины	215
Средства защиты оператора	215
Общие меры безопасности	216
Общие рабочие инструкции	217
СБОРКА	
Сборка принадлежностей щетки	22
	0
ТЕХНИЧЕСКОЕ ОБСЛУЖИВАНИЕ	
График технического обслуживания	221
ТЕХНИЧЕСКИЕ ХАРАКТЕРИСТИКИ	
Технические характеристики	22
	2
Гарантия ЕС о соответствии	22
	2

Перед запуском проследите за следующим:

Прежде чем приступить к работе с машиной внимательно прочитайте инструкцию и убедитесь, что Вам все понятно.

Правила пользования инструментом описаны в соответствующей инструкции к данному инструменту.

Husqvarna AB постоянно работает над разработкой своих изделий и поэтому оставляет за собой право на внесение изменений в форму и внешний вид без предварительных предупреждений.

Продолжительное воздействие шума дает неизлечимое ухудшение слуха. Всегда пользуйтесь, поэтому, специальными наушниками.



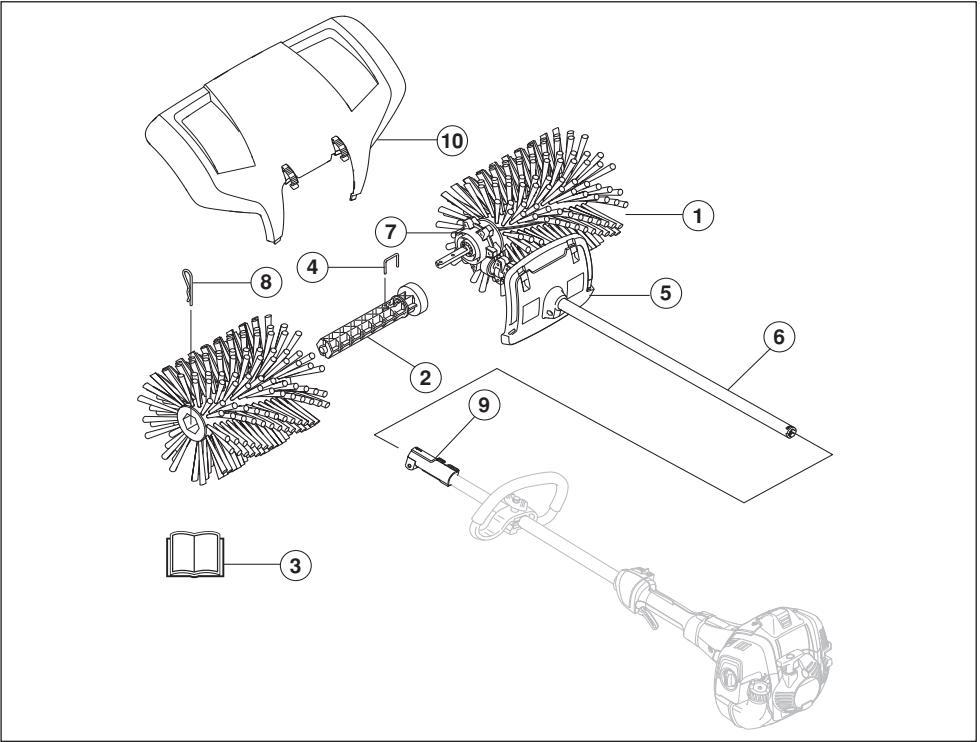
ПРЕДУПРЕЖДЕНИЕ! Ни при каких обстоятельствах не допускается внесение изменений в первоначальную конструкцию машины без разрешения изготовителя. Пользуйтесь только оригинальными запчастями. Внесение неразрешенных изменений и/или использование неразрешенных приспособлений может привести к серьезной травме или даже к смертельному исходу для оператора или других лиц.



ПРЕДУПРЕЖДЕНИЕ! Този тип принадлежност се използва само с предвидените за него тримери/тримери, виж ЛЪ твърдени спомагателни приспособления в раздел ЛЪ Технически данни в Ръководството за експлоатация към машината.

Устройство предназначено только для подметания дорожек, асфальтированных улиц и т.д.

ЧТО ЕСТЬ ЧТО?



Основные компоненты щетки

- | | |
|-------------------------------|--|
| 1 Барабан с щеткой | 6 Трубка вала |
| 2 Вал барабана | 7 Картер редуктора |
| 3 Руководство по эксплуатации | 8 Шплинт |
| 4 Стопорный штифт | 9 Сочленение вала (Относится к основному устройству) |
| 5 Щиток (защита на валу) | 10 Брызговик |

ИНСТРУКЦИЯ ПО ТЕХНИКЕ БЕЗОПАСНОСТИ

Устройства безопасности машины

В данном разделе рассматриваются различные защитные приспособления машины, их работа, и приведены основные принципы и правила, которые необходимо соблюдать для обеспечения безопасной работы. Для того чтобы найти, где расположены элементы и механизмы машины, см. раздел «Что есть что?».

Срок службы машины может быть укорочен и риск аварии увеличен, если обслуживание машины не выполняется правильным образом и если сервис и/или ремонт не были выполнены профессионально. Если вам требуется дополнительная информация, обратитесь в ближайшую мастерскую по обслуживанию.



ПРЕДУПРЕЖДЕНИЕ! Никогда не работайте с машиной с неисправными элементами защитного оборудования. Производите проверку и выполняйте все меры по обслуживанию, описанные в данном разделе. Если в результате этих проверок будут обнаружены неисправности, немедленно вызовите специалиста для ремонта.



ПРЕДУПРЕЖДЕНИЕ! Всегда останавливайте двигатель перед тем, как приступать к работе с какой-либо частью насадки. Он может продолжать вращаться даже после отпускания рычага дросселя. Удостоверьтесь в том, что насадка остановилась полностью, и отсоедините провода высокого напряжения от свечи зажигания, прежде чем приступать к работе с ней.

Средства защиты оператора



ПРЕДУПРЕЖДЕНИЕ! Во время работы с машиной вы должны использовать специальные одобренные средства защиты. Средства личной защиты не могут полностью исключить риск получения травмы, но при несчастном случае они снижают тяжесть травмы. Обратитесь за помощью к дилеру при подборе средств защиты. Прежде чем приступить к работе с машиной внимательно прочитайте инструкцию и убедитесь, что Вам все понятно.



ПРЕДУПРЕЖДЕНИЕ! Всегда следите за предупреждающими сигналами или криком, когда пользуетесь защитными наушниками. Снимайте наушники сразу же после того, как будет остановлен двигатель.

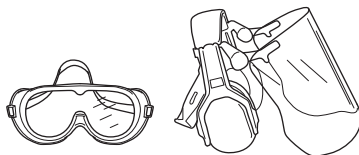
- В случае необходимости, например, для сборки режущего оборудования.



- Следует пользоваться защитными наушниками с достаточным заглушающим эффектом.



- Следует всегда пользоваться одобренными защитными очками. При пользовании визиром следует пользоваться также одобренными защитными очками. Под одобренными защитными очками подразумеваются очки, отвечающие нормативам ANSI 387.1 для США или EN 166 для стран ЕН. Обломки веток или другие отбрасываемые в сторону предметы могут повредить глаза.

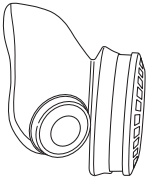


ИНСТРУКЦИЯ ПО ТЕХНИКЕ БЕЗОПАСНОСТИ

- Пользуйтесь не скользящими и устойчивыми сапогами.



- Каждый раз надевайте плотные, длинные брюки, ботинки, перчатки и рубашку с длинными рукавами. Для снижения риска травмирования, связанного с затягиванием предметов вращающимися частями, запрещается надевать свободную одежду, шарфы, украшения и т.д. Зафиксируйте волосы, чтобы они находились выше уровня плеч.
- При риске пыли, пользуйтесь респиратором.



- Всегда имейте при себе аптечку для оказания первой медицинской помощи.



Общие меры безопасности

ВАЖНО!

Пользуйтесь машиной только по назначению. Устройство предназначено только для подметания дорожек, асфальтированных улиц и т.д.

Никогда не работайте с машиной если вы устали, выпили алкоголь, или принимаете лекарства, воздействующие на зрение, реакцию или координацию.

При работе с основным устройством используйте средства индивидуальной защиты, рекомендованные в руководстве. Обращайтесь за помощью к дилеру для выбора надлежащих средств защиты.

Никогда не работайте машиной, которая была модифицирована по сравнению с первоначальным вариантом.

Никогда не пользуйтесь машиной в экстремальных климатических условиях, как напр. трескучий мороз или большая жара, и/или в влажном климате.

Никогда не эксплуатируйте дефектную машину. Проводите регулярные проверки средств защиты, уход и обслуживание в соответствии с данным руководством. Некоторые операции по уходу и обслуживанию должны выполняться только квалифицированными специалистами. См. указания в разделе 'Техническое обслуживание'.

- Никогда не разрешайте детям пользоваться машиной.
- Пользователь машиной должен убедиться в том, что в радиусе 15 м во время работы нет людей или животных.
- Не допускайте к пользованию машиной посторонних лиц, не убедившись в начале в том, что они поняли содержание инструкции.

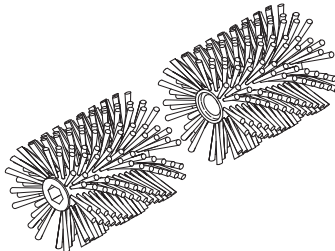
Инструкции по технике безопасности перед началом работы



- В зоне работы не должны находиться посторонние. Дети, животные, зрители и помощники должны быть вне зоны работы на расстоянии более 15 м. Если кто-либо приближается к вам во время работы, немедленно остановите машину.

ИНСТРУКЦИЯ ПО ТЕХНИКЕ БЕЗОПАСНОСТИ

- Перед началом работы проверьте машину. Замените поврежденные детали. Убедитесь, что нет утечки топлива и что все щетки и крышки находятся на месте. Проверить все болты и гайки.
- Убедитесь, что барабаны с щеткой не повреждены и не имеют трещин.



При холодном запуске:

- Прогрейте двигатель основного устройства, затем выключите его.
- Установите насадку в соответствии с инструкциями по сборке.
- При регулировке карбюратора барабаны с щеткой должны быть на земле, а поблизости не должно быть посторонних.
- Убедитесь, что барабаны с щеткой вращаются на холостом ходу.
- Рукоятка и функции безопасности всегда должны быть в порядке. Никогда не пользуйтесь машиной, у которой не достает какой-либо части, или же модификация которой, была изменена.
- Пользуйтесь машиной только по назначению.

Общие рабочие инструкции

ВАЖНО!

В этом разделе описаны основные правила техники безопасности при работе с щеткой.

Если вы окажетесь в ситуации, в которой вы почувствуете неуверенность, остановитесь и запросите совет специалиста. Свяжитесь с вашим дилером или мастерской по обслуживанию.

Не пытайтесь решить какую-либо задачу, если вы считаете, что она находится за пределами ваших возможностей.

Основные правила безопасности

Оглянитесь вокруг:

- Проверьте, чтобы поблизости не было людей, животных или других объектов, которые могут повлиять на вашу работу.
 - Убедитесь в отсутствии контакта щетки с перечисленным выше, а также с предметами, которые могут быть отброшены в сторону.
 - Обратите внимание! Никогда не пользуйтесь машиной в ситуации, при которой вы не сможете позвать на помощь при несчастном случае.
- 1 Не эксплуатируйте машину в плохих погодных условиях, таких, как густой туман, сильный дождь, порывистый ветер, сильный холод и т.д. Работа в плохую погоду сильно утомляет и вызывает дополнительный риск, напр. от скользкого грунта или непредсказуемого направления падения дерева и т.д.
 - 2 Убедитесь, что вам возможно стоять стабильно.
 - 3 При перемещении, двигатель должен быть выключен.
 - 4 Не следует опускать машину на землю при работающем двигателе, за исключением случаев, когда он хорошо виден.

Основные принципы работы

- Вы всегда должны находиться в надежном и устойчивом рабочем положении.



- Всегда держите машину двумя руками. Держите машину рядом с телом.
- Убедитесь, что при работающем двигателе ваши руки и ноги не находятся рядом с щеткой.
- При отключении двигателя держите руки и ноги подальше от щетки до его полной остановки.

ИНСТРУКЦИЯ ПО ТЕХНИКЕ БЕЗОПАСНОСТИ

- После каждой рабочей операции следует снижать скорость до холостого хода. Слишком длительная работа двигателя при полностью открытом дросселе без нагрузки (без сопротивления, которое двигатель испытывает от работающей машины) может вызвать серьезное повреждение двигателя.
- В случае сильной вибрации выключите машину. Снимите свечной кабель со свечи зажигания. Проверьте машину на наличие повреждений. Устраните возможные повреждения.



ПРЕДУПРЕЖДЕНИЕ! Остерегайтесь отбрасываемых предметов. Всегда носите защитные очки. Не нагибайтесь над барабаном с щеткой. Камни, мусор и т.д. могут быть отброшены в глаза, что может привести к слепоте или к серьезным травмам. В зоне работы не должны находиться посторонние. Дети, животные, зрители и помощники должны быть вне зоны работы на расстоянии более 15 м. Если кто-либо приближается к вам во время работы, немедленно остановите машину. Редуктор может нагреться во время работы и оставаться горячим некоторое время. Это создает риск получения ожога при контакте.

- Запустите устройство на максимальных (или почти максимальных) оборотах, поставив щетку на поверхность.

Поднимать щетку или удерживать ее над землей во время работы очень тяжело, и в этом нет необходимости.

- При уборке узких поверхностей, таких как дорожки, устройство можно использовать таким образом, чтобы оно отбрасывало предметы прямо вперед. При работе на широких участках может потребоваться перемещать устройство под углом, чтобы мусор отбрасывался в сторону. Легкий мусор можно собирать в ряд или в кучу для последующей уборки, а тяжелый или более объемный мусор рекомендуется собирать в несколько рядов.



Для очистки труднодоступных углов снимите брызговик, ослабьте соединение и поверните насадку на пол-оборота.



ПРЕДУПРЕЖДЕНИЕ! При этом мусор будет отбрасываться в сторону оператора. При использовании реверса включайте малую скорость. Не забывайте, что можно споткнуться о выбрасываемые предметы и упасть.

ИНСТРУКЦИЯ ПО ТЕХНИКЕ БЕЗОПАСНОСТИ

- Во время работы держите устройство под небольшим углом. Слишком большой угол может привести к потере контроля.

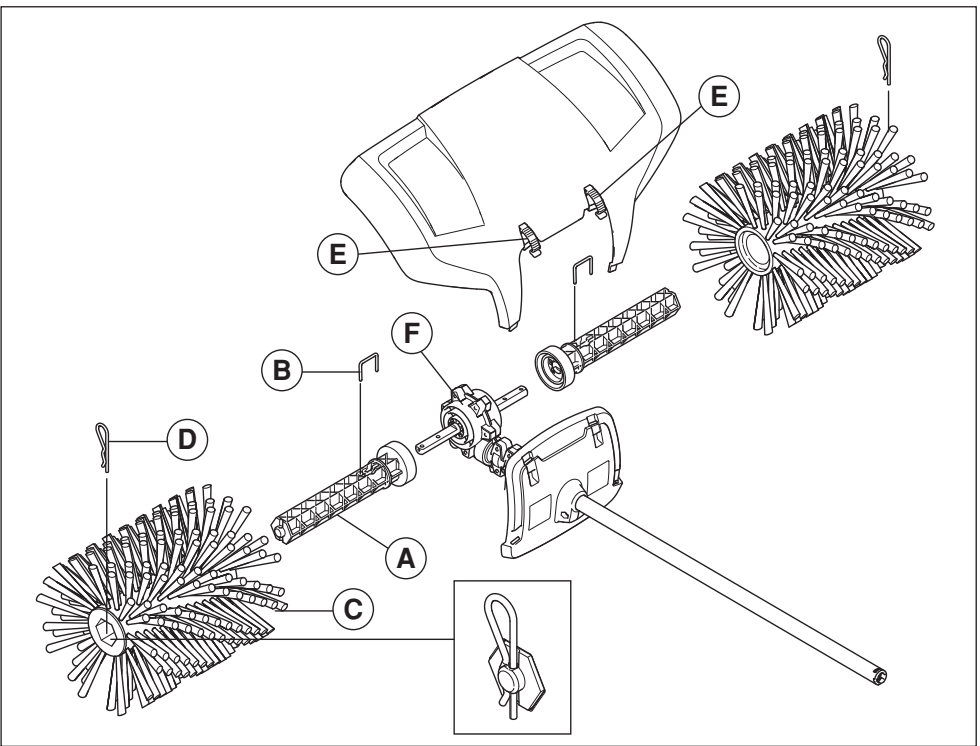


ПРЕДУПРЕЖДЕНИЕ! Во время работы сохраняйте небольшой угол между устройством и поверхностью. Если угол слишком большой, щетка стремится перемещаться по направлению к оператору, и возникает опасность потери контроля над устройством.

При включении щетки барабаны могут вращаться. Надежно удерживайте устройство во время пуска. Следите за предметами, которые могут быть затянуты или отброшены вращающимися барабанами с щеткой.

Усилие при работе барабанов с щеткой меньше, чем, например, у ножей газонокосилки, однако следует избегать работать с материалами, способными в случае выброса причинить травму или повредить имущество.

СБОРКА



Сборка принадлежностей щетки

- 1 Пosaдите одну из осей барабана (A) на один из двух выходных валов корпуса редуктора (F). При необходимости поверните ось барабана, чтобы отверстие для шпильки совместилось с соответствующим отверстием в ведущем валу.
- 2 Закрепите вал ролика стопорным штифтом (B).
- 3 Установите один из роликов щетки (C) на вал в сборе. Нажмите на ролик до упора.
- 4 Закрепите ролик на валу шпилькой (D). При сборке слегка вдавливайте конец.
- 5 Повторите эти действия, чтобы собрать ось и ролик с противоположной стороны.
- 6 Установите брызговики с помощью пружинных фиксаторов (E).
- 7 Инструкции по установке принадлежностей на основное устройство см. в руководстве основного устройства.

ТЕХНИЧЕСКОЕ ОБСЛУЖИВАНИЕ

График технического обслуживания

Ниже приводятся некоторые общие инструкции по регламентному обслуживанию. Если вам требуется дополнительная информация, обратитесь в вашу мастерскую по обслуживанию.

ВАЖНО!

Эксплуатация щетки часто происходит в условиях высокой запыленности. Крайне важно регулярно проводить обслуживание воздушного фильтра (зачастую ежедневно). Для надлежащей работы воздушного фильтра его необходимо смазывать.

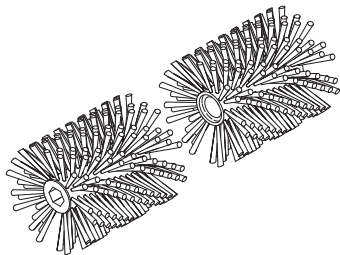
См. указания по техобслуживанию в руководстве по эксплуатации устройства.

Ежедневное обслуживание



ПРЕДУПРЕЖДЕНИЕ! При работе устройства корпус редуктора нагревается. Во избежание ожогов не касайтесь корпуса редуктора.

- Убедитесь, что барабаны с щеткой не вращаются на холостых оборотах.



- Убедитесь, что барабаны с щеткой не повреждены и не имеют трещин. При необходимости замените барабаны с щеткой.
- При длительном хранении подвешивайте щетку.

Транспортировка и хранение

- При перевозке газонокосилки на другом транспортном средстве всегда пользуйтесь разрешенными к применению креплениями. Проверьте, хорошо ли закреплена газонокосилка.
- Следите за тем, чтобы машины была хорошо очищенной, и чтобы перед ее продолжительным хранением было выполнено полное обслуживание.

ТЕХНИЧЕСКИЕ ХАРАКТЕРИСТИКИ

Технические характеристики

Технические характеристики

Щетка	BR600
Ширина барабана с щеткой, мм	597
Диаметр барабана с щеткой, мм	270
Вес	
Вес, кг	5,5
Эмиссия шума (См. прим.1)	
Уровень шума, измеренный дБ(А)	105
Уровень шума, гарантированный L_{WA} дБ(А)	109
Уровни шума (См. Примечание 2)	
Уровень шумового давления на уровне уха пользователя измерен согласно ЕН/ИСО 22868, дБ(А)	96
Вибрация (См. Примечание 3)	
Уровень вибрации ($a_{Hv,eq}$) на ручках измерен согласно EN ISO 22867 в m/c^2 .	
Передняя/задняя рукоятка:	3,7/6,2

Примечание 1: Измерено вместе с другими рекомендованными насадками Husqvarna. Эмиссия шума в окружающую среду измеряется как шумовой эффект (L_{WA}) согласно Директиве ЕС 2000/14/EG. Указанный уровень шума для машины измерен с оригинальным режущим оборудованием, дающим наивысший уровень. Разница между гарантированным и измеренным уровнем шума в том, что гарантированный уровень шума также включает разброс результатов измерений и вариации между машинами одной и той же модели, согласно директиве 2000/14/EC.

Примечание 2: Измерено вместе с другими рекомендованными насадками Husqvarna. Указанные данные об эквивалентном уровне шумового давления для машины имеют типичный статистический разброс (стандартное отклонение) 1 дБ (А).

Примечание 3: Измерено вместе с другими рекомендованными насадками Husqvarna. Указанные данные об эквивалентном уровне вибрации имеют типичный статистический разброс (стандартное отклонение) 1 m/c^2 .

Гарантия ЕС о соответствии (Только для Европы)

Husqvarna AB, SE-561 82 Huskvarna, Швеция, тел. +46-36-146500, настоящим заверяет, что насадка-щетка Husqvarna/Jonsered BR600 соответствует требованиям ДИРЕКТИВЫ СОВЕТА:

- от 17 мая 2006 года, "о машинах и механизмах" 2006/42/EC.

Были использованы следующие стандарты: SS-EN ISO 12100:2010

Испытательной лабораторией механических машин с адресом СМП Сженск Маскинпронинг АБ, Vox 7035, SE-750 07, SE-750 07 Уппсала, по просьбе компании Хусьярнарн АБ была осуществлена проверка изделия.

Този тип принадлежност се използва само с предвидените за него триони/ тримери, вини. Утвърдени спомогателни приспособления в раздел Технически данни в Ръководството за експлоатация към машината. Сертификатам присвоен номер: SEC/15/2412 - BR600

Husqvarna, 18 февраля 2015 года



Per Gustafsson, Начальник отдела развития

(Уполномоченный представитель Husqvarna AB и ответственный за техническую документацию.)

141400, Московская обл., г. Химки, ул. Ленинградская, владение 39, строение 6, здание II, этаж 4, 8-800-200-1689

ОБЯСНЕНИЕ НА УСЛОВНИТЕ ОБОЗНАЧЕНИЯ

Условни обозначения

ПРЕДУПРЕЖДЕНИЕ!

Метла, с която се работи неправилно или безотговорно, е опасен инструмент, който може да причини тежко или смъртоносно нараняване на оператора или хората около него. Изключително важно е да прочетете внимателно това ръководство за експлоатация.



Преди да започнете работа с машината прочетете внимателно ръководството за експлоатация и се убедете, че го разбирате правилно.



Необходимо е винаги да използвате:

- Предпазна каска, когато има риск от падащи предмети
- Одобрени антифони
- Одобрени защитни приспособления за очите
- Когато има опасност от вдигане на прах, следва да се носи предпазна маска.



Тази продукт отговаря на изискванията на валидните ЕО директиви.



По време на работа, операторът на машината трябва да внимава хора или животни да не се приближават на по-малко от 15 м.



Носете винаги одобрени защитни ръкавици.



Използвайте устойчиви и нехлъзгащи се ботуши.



Пазете всички части на тялото си далеч от горещите повърхности.



Предупреждение: въртящи се части. Осигурете пространство около ръцете и краката си.



Пазете се от отскачащи предмети и рикошети.

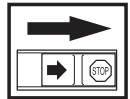


Шумови емисии в околната среда съгласно директивата на Европейската Общност. Емисията от машината е посочена в раздел Технически характеристики и върху лепенката.



Останалите символи/лепенки със символи, обозначени или поставени на машината, се отнасят до специфични изисквания по отношение на сертификати за определени пазари.

двигателят се изключва посредством преместването на изключвателя на положение "Стоп". **ВНИМАНИЕ!** Изключвателят автоматично се връща на първоначалното си положение. За да предотвратите неумишлено запалване капачката на свещта трябва да бъде отстранена от свещта при монтиране, проверка и/или провеждане на техническа поддръжка.



Носете винаги одобрени защитни ръкавици.



Визуален преглед.



СЪДЪРЖАНИЕ

Съдържание

ОБЯСНЕНИЕ НА УСЛОВНИТЕ ОБОЗНАЧЕНИЯ	
Условни обозначения	223
СЪДЪРЖАНИЕ	
Съдържание	22
4	
Преди стартиране обърнете внимание на следното:	22
4	
КАКВО - КЪДЕ?	
22	
Елементи на метлата	5
ИНСТРУКЦИИ ПО ТЕХНИКАТА ЗА БЕЗОПАСНОСТ	
22	
Защитното оборудване на машината	6
6	
Лична защитна екипировка	22
6	
Основни предпазни мерки по техниката за безопасност	227
Основни указания за работа	228
МОНТИРАНЕ	
Монтаж на приспособлението за метене ..	231
ПОДДРЪЖКА	
Техническо обслужване	232
ТЕХНИЧЕСКИ ХАРАКТЕРИСТИКИ	
Технически характеристики	233
ЕО-уверение за съответствие	233

Преди стартиране обърнете внимание на следното:

Преди да започнете работа с машината прочетете внимателно ръководството за експлоатация и се убедете, че го разбирате правилно.

Настоящото ръководство е допълнение към ръководството за експлоатация, приложено към машината. Относно работа с останалите части на машината вижте ръководството за експлоатация, приложено към машината.

Husqvarna AB непрестанно усъвършенствува своите продукти и поради това си запазва правото да променя примерно оформянето им, външния им вид и др. без предварително уведомление.

дълготрайното излагане на шум може да доведе до постоянно влошаване на слуха. Така че винаги използвайте одобрена защита на слуха.



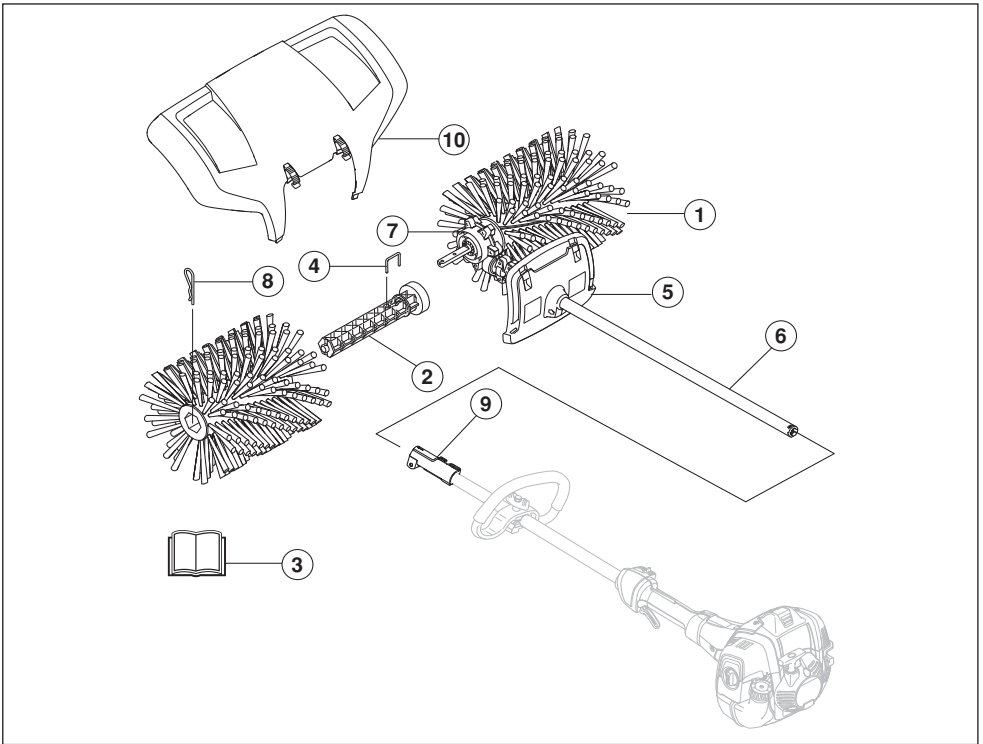
ПРЕДУПРЕЖДЕНИЕ! При никакви обстоятелства не бива да се внасят изменения в първоначалната конструкция на машината без разрешение на производителя. Ползвайте само оригинални приспособления. Неразрешени изменения и/или приспособления биха могли да предизвикат сериозни травми или смъртни случаи на оператора или други лица.



ПРЕДУПРЕЖДЕНИЕ! Този тип принадлежност се използва само с предвидените за него триони/тримери, виж "Утвърдени спомагателни приспособления" в раздел "Технически данни" в Ръководството за експлоатация към машината.

Машината е предназначена единствено за метене на пътеки, асфалтови пътища и подобни.

КАКВО - КЪДЕ?



Елементи на метлата

- | | |
|--------------------------------|---|
| 1 Барабан с четки | 6 Двусекционен вал |
| 2 Ос на барабана | 7 Корпус на предавката |
| 3 Ръководство за експлоатация | 8 Шплинт |
| 4 Осигурителен щифт | 9 Съединение на двусекционния вала (Част е от основната машина) |
| 5 Защита (Предпазител на вала) | 10 Предпазител срещу разплискване |

Защитното оборудване на машината

В този раздел са описани различните защитни устройства на машината, тяхното действие, както и начинът за извършване на преглед и поддръжка за да се гарантира безопасността при работа. Виж раздел Какво - къде?, в който е посочено къде тези устройства се намират на вашата машина.

Експлоатационният срок на машината може да бъде намален, а рискът от нещастни случаи увеличен, ако техническото обслужване на машината не се провежда правилно и ако обслужването и/или ремонтните дейности не се изпълняват професионално. Ако имате нужда от още информация, моля, обърнете се към най-близкия сервиз.



ПРЕДУПРЕЖДЕНИЕ! Не използвайте никога машина с неизправно защитно оборудване. Проверките и поддръжката следва да се извършват съгласно указанията в този раздел. Ако машината ви не издържи на някоя от изброените проверки, следва да се свържете със сервиза си за извършване на ремонт.



ПРЕДУПРЕЖДЕНИЕ! Винаги спирайте мотора, преди да работите върху коя да е част от приспособлението. То може да продължи да се движи дори и след като газта е отпусната. Убедете се, че приспособлението е спряло напълно и разединете кабела от запалителната свещ, преди да започнете да работите по него.

Лична защитна екипировка



ПРЕДУПРЕЖДЕНИЕ! При работа с машината трябва винаги да ползвате лична защитна екипировка одобрена от съответното ведомство. Личната защитна екипировка не изключва риск от травми, но намалява сериозността на травмата при злополука. Помолете своя дистрибутор за помощ при избора на подходяща екипировка. Преди да започнете работа с машината прочетете внимателно ръководството за експлоатация и се убедете, че го разбирате правилно.



ПРЕДУПРЕЖДЕНИЕ! Бъдете винаги внимателни за предупредителни сигнали или подвиквания, когато използвате антифони. Сваляйте винаги антифоните незабавно след спиране на двигателя.

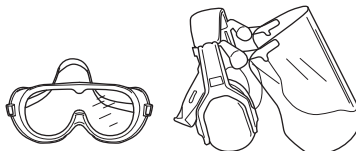
- Ръкавици следва да се използват при необходимост.



- Необходимо е да работите с антифони, осигуряващи достатъчен заглушаващ ефект.



- Трябва винаги да използвате одобрени защитни приспособления за очите. Ако използвате маска, следва да използвате и одобрени защитни очила. С одобрени защитни очила се има предвид такива, които отговарят на стандарт АНСИ 387.1 за САЩ или ЕН 166 за страните от ЕС. Удари от изхвърлени клони или предмети могат да наранят очите.

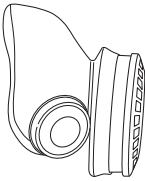


ИНСТРУКЦИИ ПО ТЕХНИКАТА ЗА БЕЗОПАСНОСТ

- Използвайте устойчиви и нехлъзгащи се ботуши.



- Винаги носете тежки, дълги панталони, ботуши, ръкавици и блузи с дълъг ръкав. За да намалите риска от нараняване, заради предмети, вълечени във въртящите се части, не носете отпуснати дрехи, шалове, бижута и др. Връзвайте косата си, така че да стига над нивото на рамото.
- Когато има опасност от вдигане на прах, следва да се носи предпазна маска.



- Аптеката за първа помощ трябва винаги да е под ръка.



Основни предпазни мерки по техниката за безопасност

ЗАПОМНЕТЕ!

Използвайте машината единствено по предназначение. Машината е предназначена единствено за метене на пътеки, асфалтови пътища и подобни.

Не работете никога с машината, ако сте уморени, или сте употребили алкохол или лекарства, които повлияват зрението, съобразителността и координацията на движенията.

Използвайте личните предпазни средства, които са препоръчани за основната машина в ръководството. Помолете своя дистрибутор за помощ при избора на подходящи предпазни средства.

Никога не използвайте машина с изменения в оригиналната първоначална конструкция.

Никога не използвайте машината при крайно неблагоприятни климатични условия, като например суров студ или много топъл и/или влажен климат.

Никога не използвайте машина, която е неизправна. Извършвайте описаните в това ръководство за експлоатация редовни проверки за безопасност, поддръжка и сервис. Определени операции по поддръжката и сервиса се извършват единствено от квалифицирани специалисти. Вижте указанията в раздел 'Поддръжка'.

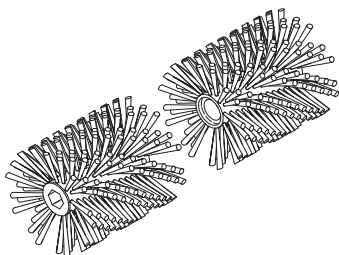
- Никога не позволявайте на деца да използват машината.
- По време на работа, операторът на машината трябва да внимава хора или животни да не се приближават на по-малко от 15 м.
- Никога не допускайте други да използват машината без да сте се убедили, че те са разбрали съдържанието в инструкциите за експлоатация.

ИНСТРУКЦИИ ПО ТЕХНИКАТА ЗА БЕЗОПАСНОСТ

Инструкции за безопасност преди започване на работа



- Дръжте външни лица на разстояние. Деца, животни, зрители или хора, които Ви помагат, трябва да се намират на безопасно разстояние от 15 м. Когато някой се приближи, трябва незабавно да спрете машината.
- Преди да започнете работа проверете цялостно машината. Подменете повредени части. Проверете за течове на горивото и дали всички защити и капаци са в изправност и добре закрепени. Проверете всички винтове и гайки.
- Уверете се, че барабанът с четки не е повреден и няма признаци за пукнатини или други повреди.



При студено стартиране:

- Стартирайте основната машина, оставете я да загрее и я изключете.
- Монтирайте приспособлението съгласно инструкциите за монтаж.
- Когато регулирате карбуратора, барабанът с четки трябва да е опрян на земята, а в непосредствена близост не трябва да има никого.
- Проверете дали барабана с четки се върти на празен ход.
- Уверете се, че ръкохватката и функциите за безопасна работа са в добро работно състояние. Никога не използвайте машина, на която липсва част, или е била променена без спазване на спецификациите.
- Използвайте машината единствено по предназначение.

Основни указания за работа

ЗАПОМНЕТЕ!

В този раздел са описани основните правила за безопасна работа с четката.

Ако се окажете в ситуация, в която чувствувате неувереност по отношение на използването, се съветвайте със специалист. Свържете се с дистрибутор или със сервиза си.

Избягвайте всякакво използване, за което се чувствате недостатъчно квалифициран.

Основни правила за безопасност

Огледайте се:

- Убедете се, че наблизо няма хора, животни или други обекти, които могат да попречат на работата ви.
 - Уверете се, че няма опасност някое от горните да влезе в допир с метлата или да бъдат изхвърлени предмети.
 - **ВНИМАНИЕ!** Не работете никога с машината, когато нямате възможност да повикате помощ в случай на злополука.
- 1 Не работете при лоши климатични условия. Например при плътна мъгла, силен дъжд, силен вятър, силен студ и т.н. Работата в лошо време е изморителна и може да доведе до опасни ситуации, като например хлъзгавост.
 - 2 Погрижете се да можете да стоите и да се предвижвате безопасно.
 - 3 При пренасяне трябва двигателят да бъде спрян.
 - 4 Никога не поставяйте машината на земята, когато двигателят работи, без да имате надзор върху нея.

ИНСТРУКЦИИ ПО ТЕХНИКАТА ЗА БЕЗОПАСНОСТ

Основни принципи на работа

- Необходимо е винаги да заставате сигурно и здраво при работна.



- Винаги дръжте с две ръце машината. дръжте машината встрани от тялото си.
- Уверете се, че ръцете и краката ви не са твърде близко до четката, когато моторът работи.
- След като моторът бъде изключен, дръжте ръцете и краката си далече от четката, докато тя спре напълно движението си.
- След всяка работна операция двигателят трябва да се преведе на празен ход. Продължителната работа на пълни обороти без двигателят да е натоварен (без съпротивата, която двигателят изпитва от режещия оборудване при работа с машината) може да предизвика сериозна повреда на двигателя.
- Спрете двигателя, ако се появят силни вибрации, Извадете кабела за свещта от запалителната свещ. Проверете дали машината не е повредена. Ремонтирайте евентуални повреди.



ПРЕДУПРЕЖДЕНИЕ! Опасност от хвърчащи предмети. Винаги носете защитни средства за очите. Не се навеждайте над барабана с четки. В очите ви могат да попаднат камъни, отпадъци и други, които могат да доведат до ослепяване или тежки наранявания. Дръжте външни лица на разстояние. Деца, животни, зрителни хора, които Ви помагат, трябва да се намират на безопасно разстояние от 15 м. Когато някой се приближи, трябва незабавно да спрете машината. По време на работа и доста време след това, предавката може да е нагорещена. При допир съществува риск от изгаряне.

- Работете с машината на пълна газ (или почти пълна газ), като четката е опряна на земята.

Уморително и ненужно е да вдигате или да държите четката над земята, когато работите.

- Когато почиствате на тесни места, като например пътеки, можете да използвате машината така, че материалите да се изхвърлят право напред. Ако работите на по-широки площи, работете под ъгъл, тъй че купчините да се образуват от едната страна. Купчините от леки материали могат да се събират на един ред или по-голям куп, за да бъдат изхвърлени по-късно, а твърдите или по-обемисти материали трябва да се събират на повече купчини.



За да достигнете в ъглите, отстранете предпазителя срещу разплискване, разлабете съединението на приспособлението и завъртете последното на половин оборот.



ПРЕДУПРЕЖДЕНИЕ! Тогава боклукът ще се изхвърля към вас. На заден ход работете с по-ниска скорост и не забравяйте, че може да се спънете в изхвърлени материали.

ИНСТРУКЦИИ ПО ТЕХНИКАТА ЗА БЕЗОПАСНОСТ

- Работете под малък ъгъл. Когато работният ъгъл е много голям, може да загубите управление.

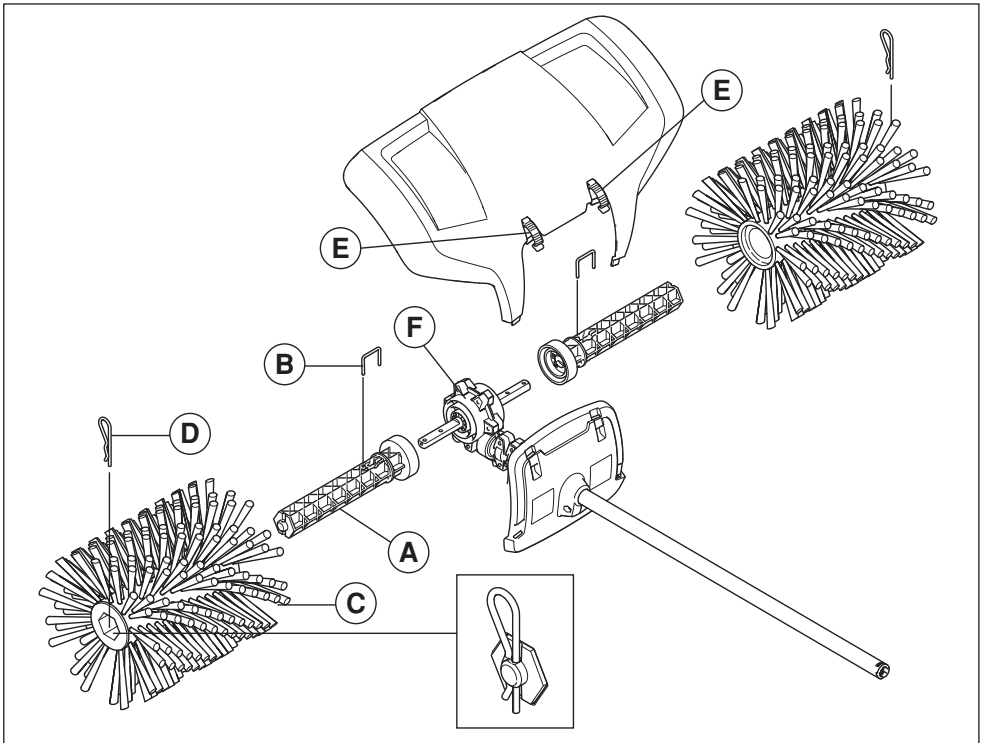


ПРЕДУПРЕЖДЕНИЕ! Поддържайте малък работен ъгъл спрямо повърхността. Когато работният ъгъл е много широк, метлата ще тръгне към вас и може да изгубите управлението на машината.

Барабанът с четки може да се завърти при включване на метлата. Дръжте машината здраво, когато я включвате. Внимавайте за предмети, които могат да затегнат или да бъдат изхвърлени от въртящия се барабан с четки.

Барабанът с четки няма такава сила като ножовете на косачката например, но все пак избягвайте да работите с материали, които могат да изхвъркнат и да причинят наранявания или щети.

МОНТИРАНЕ



Монтаж на приспособлението за метене

- 1 Притиснете едната ос на барабана (А) към един от двата задвижващи вала, които излизат от предавателната кутия (F). Ако е необходимо, завъртете оста на барабана, тъй че отворът за щифта да съвпадне със съответния отвор в задвижващия вал.
- 2 Закрепете вала на ролката с шплинта (B).
- 3 Поставете една от ролките с четки (C) на монтирания вал. Натиснете ролката до упор.
- 4 Закрепете ролката на вала с шплинта (D). Когато монтирате, притискайте леко края навътре.
- 5 Повторете тези стъпки при монтажа на оста и ролката от другата страна.
- 6 Закрепете предпазителя с шипките (E).
- 7 За монтирането на принадлежности на основната машина се допитайте до ръководството за същата.

Техническо обслужване

По-долу ще намерите някои общи указания за поддръжка. Ако ви е необходима допълнителна информация, обърнете се към сервиза си.

ЗАПОМНЕТЕ!

С метлата често се работи на прашни места. Изключително важно е да се почиства редовно въздушния филтър, понякога ежедневно. За да работи добре, въздушният филтър трябва да се смазва.

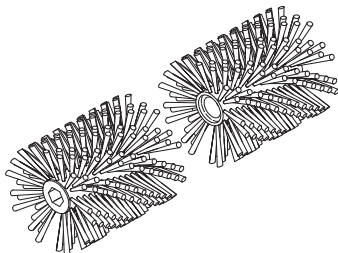
Прочетете инструкциите за поддръжка в ръководството за експлоатация.

Всекидневно обслужване



ПРЕДУПРЕЖДЕНИЕ! Корпусът на скоростната кутия се нагорещява, когато машината е в употреба. За да избегнете изгаряния не докосвайте корпуса на скоростната кутия.

- Проверете дали барабаните с четки не се въртят на празен ход.



- Проверете дали барабаните с четки не са повредени или пукнати. Ако е необходимо, сменете барабаните с четки.
- За продължително съхранение, окачвайте четката.

Транспорт и съхранение

- Ако транспортирате машината върху друго превозно средство, винаги използвайте одобрени осигуряващи устройства и се уверете, че машината е здраво закрепена.
- Уверете се, че машината е почистена и че преди дългосрочното законсервиране е проведено пълно обслужване.

ТЕХНИЧЕСКИ ХАРАКТЕРИСТИКИ

Технически характеристики

Технически характеристики

Метла	BR600
Ширина на барабана с четки, mm	597
Диаметър на барабана с четки, mm	270
Тегло	
Тегло,	5,5
Шумови емисии	
(вж. забележка 1)	
Равнище на звуковия ефект, измерено в dB (A)	105
Равнище на звуковия ефект, гарантирано L_{WA} dB (A)	109
Равнище на шума	
(вж. забележка 2)	
Еквивалентно ниво на звуковото налягане върху ухото на оператора, измерено съгласно ЕН/ИСО 22868, dB(A)	96
вибрации	
(вж. забележка 3)	
Еквивалентни нива на вибрацията ($a_{hv,eq}$) в ръкохватките, измерени съгласно EN ISO 22867, m/s^2	
Предни/задни ръкохватки:	3,7/6,2

Забележка 1: Измерени заедно с приспособления, одобрени от Husqvarna. Шумова емисия в околната среда, измерена като звуков ефект (L_{WA}) съгласно ЕО директива 2000/14/ЕО. Отчетените нива на шума за машината са измерени с оригиналното рещещо оборудване, което дава най-високото ниво. Разликата между гарантираното и измереното ниво на шума е в това, че гарантираното ниво на шума включва също и дисперсията в резултатите от измерването, както и вариациите между различните машини от един и същи модел, в съответствие с Директива 2000/14/ЕО.

Забележка 2: Измерени заедно с приспособления, одобрени от Husqvarna. Отчетените данни за еквивалентното ниво на звуковото налягане за машината имат типична статистическа дисперсия (стандартно отклонение) от 1 dB (A).

Забележка 3: Измерени заедно с приспособления, одобрени от Husqvarna. Отчетените данни за еквивалентното равнище на вибрацията имат типична статистическа дисперсия (стандартно отклонение) от 1 m/s^2 .

ЕО-уверение за съответствие (Валидно само в рамките на Европа)

Husqvarna AB, SE-561 82 Huskvarna, Швеция, тел. +46-36-146500 декларира, че приспособлението Husqvarna BR600/Jonsered BR600 на почистващата машина отговаря на изискванията на ДИРЕКТИВАТА НА СЪВЕТА:

- то 17 май 2006 г., гсвързани с машини 2006/42/ЕО.

Използвани са следните стандарти: SS-EN ISO 12100:2010

Фирма СМП Сженск Маскинпронжинг АБ, с адрес Vox 7035, SE-750 07 Уппсала, Швеция, е извършила доброволния типов контрол за фирма Хусяжарна АБ.

Този тип принадлежност се използва само с предвидените за него триони/ тримери, вж "Утвърдени спомогателни приспособления" в раздел "Технически данни" в Ръководството за експлоатация към машината. Сертификатите са издадени под номер: SEC/15/2412 - BR600

Град Huskvarna, 18 февруари, 2015 год.



Per Gustafsson, Началник внедрителски отдел

(Оторизиран представител на Husqvarna AB и отговорник за техническата документация.)

Σύμβολα

ΠΡΟΕΙΔΟΠΟΙΗΣΗ!

Η σκούπα μπορεί να αποδειχθεί επικίνδυνο εργαλείο, αν δεν χρησιμοποιείται σωστά ή προσεκτικά και μπορεί να προκαλέσει σοβαρό ή θανατηφόρο τραυματισμό στο χειριστή ή σε άλλους. Είναι ιδιαίτερα σημαντικό να διαβάσετε και να κατανοείτε τα περιεχόμενα του παρόντος Εγχειριδίου Χρήστη.



Διαβάστε προσεκτικά τις Οδηγίες χρήσεως και κατανοήστε το περιεχόμενο πριν χρησιμοποιήσετε το μηχάνημα.



Χρησιμοποιείτε πάντοτε:

- Προστατευτικό κράνος στις περιπτώσεις όπου υπάρχει κίνδυνος πτώσης αντικειμένων
- Εγκεκριμένα προστατευτικά μέσα ακοής
- Εγκεκριμένη προστασία ματιών
- Να φοράτε μάσκα προστασίας αναπνοής, επειδή υπάρχει κίνδυνος από σκόνη.



Αυτό το προϊόν είναι σύμφωνο με τις ισχύουσες οδηγίες της ΕΚ.



Κατά την εργασία ο χειριστής του μηχανήματος να φροντίζει να μην βρίσκονται άνθρωποι ή ζώα πλησιέστερα από 15 μέτρα από το σημείο εργασίας.



Χρησιμοποιείτε πάντοτε εγκεκριμένα προστατευτικά γάντια.



Φοράτε σταθερές, αντιολισθητικές μπότες.



Κρατάτε όλα τα μέρη του σώματος σας μακριά από τις θερμές επιφάνειες.



Προειδοποίηση: κινούμενα μέρη. Προσέξτε τα χέρια και τα πόδια σας.



Προσοχή στα εκτοξευόμενα αντικείμενα και τα θραύσματα.

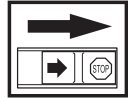


Ηκπομπές θορύβων στο περιβάλλον σύμφωνα με την Οδηγία της Ευρωπαϊκής Κοινότητας (ΗΚ). Οι ηκπομπές του μηχανήματος αναφέρονται στο κηφάλαιο Τηχνικά χαρακτηριστικά και στην πινακίδα του προϊόντος.

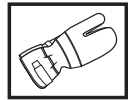


Τα υπόλοιπα σύμβολα/επιγραφές του μηχανήματος αναφέρονται σε ειδικές απαιτήσεις για εκπλήρωση προδιαγραφών έγκρισης σε ορισμένες αγορές.

Ο κινητήρας σβήνει φέρνοντας το διακόπτη στοπ στη θέση στοπ. **ΠΡΟΣΟΧΗ!** Ο διακόπτης στοπ επανέρχεται αυτόματα στη θέση εκκίνησης. Για να αποφύγετε ακούσια εκκίνηση του κινητήρα, πρέπει πάντοτε να βγάξετε το κάλυμμα του μπουζιού κατά τη συναρμολόγηση το έλεγχο ή/και τη συντήρηση.



Χρησιμοποιείτε πάντοτε εγκεκριμένα προστατευτικά γάντια.



Οπτικός έλεγχος.



ΠΕΡΙΕΧΟΜΕΝΑ

Περιεχόμενα

ΕΠΕΞΗΓΗΣΗ ΣΥΜΒΟΛΩΝ

Σύμβολα 234

ΠΕΡΙΕΧΟΜΕΝΑ

Περιεχόμενα 235

Πριν την εκκίνηση πρέπει να προσέξετε τα ακόλουθα: 235

ΤΙ ΕΙΝΑΙ ΤΙ;

Τι είναι τι στη σκούπα; 236

ΟΔΗΓΙΕΣ ΑΣΦΑΛΕΙΑΣ

Προστατευτικός εξοπλισμός του μηχανήματος . 237

Ατομικός προστατευτικός εξοπλισμός 237

Γενικές οδηγίες ασφάλειας 238

Γενικές οδηγίες εργασίας 239

ΣΥΝΑΡΜΟΛΟΓΗΣΗ

Συναρμολόγηση του αξεσουάρ σκούπας 241

ΣΥΝΤΗΡΗΣΗ

Πρόγραμμα συντήρησης 242

ΤΕΧΝΙΚΑ ΣΤΟΙΧΕΙΑ

Τεχνικά στοιχεία 243

EK–Βεβαίωση συμφωνίας 243

Πριν την εκκίνηση πρέπει να προσέξετε τα ακόλουθα:

Διαβάστε προσεκτικά τις Οδηγίες χρήσεως και κατανοήστε το περιεχόμενο πριν χρησιμοποιήσετε το μηχάνημα.

Αυτές οι οδηγίες χρήσεως αποτελούν συμπλήρωμα του βιβλίου οδηγιών χρήσεως που συνοδεύει το μηχάνημα. Για άλλες οδηγίες συμβουλευτείτε το βιβλίο οδηγιών χρήσεως του μηχανήματος.

Η Husqvarna AB αναπτύσσει συνεχώς τα προϊόντα της και για το λόγο αυτό επιφυλάσσει στον εαυτό της το δικαίωμα τροποποιήσεων π.χ. ως προς το σχεδιασμό και την εμφάνιση, χωρίς προειδοποίηση.

Η μακρόχρονη έκθεση σε θόρυβο μπορεί να προκαλέσει μόνιμη βλάβη στην ακοή. Θα πρέπει πάντα να λαμβάνετε μέτρα προστασίας της ακοής σας.



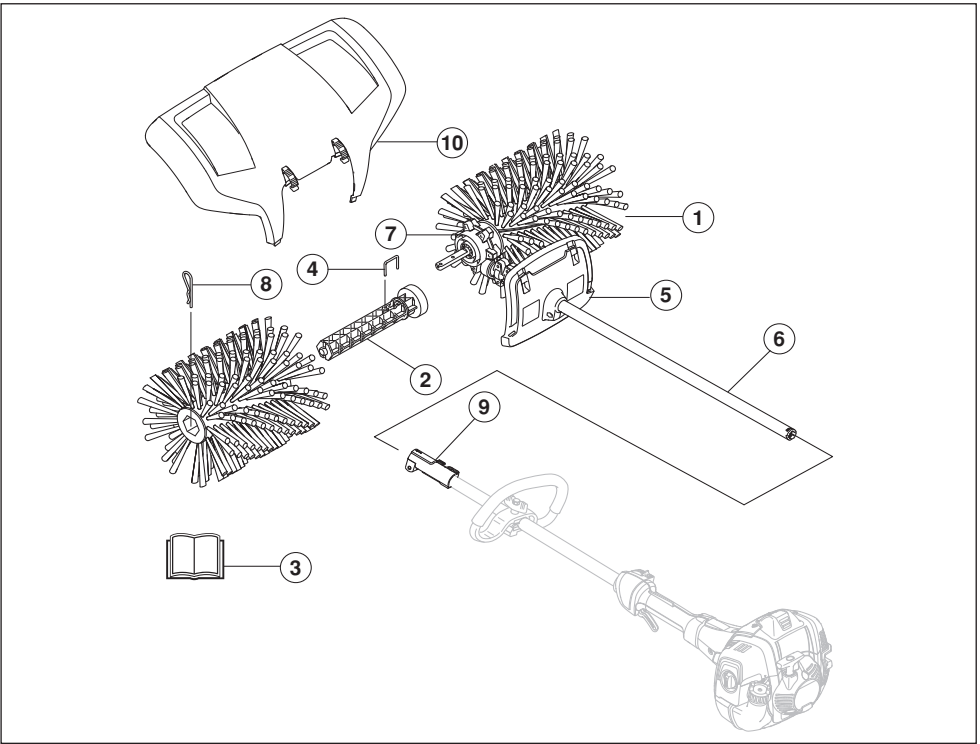
ΠΡΟΕΙΔΟΠΟΙΗΣΗ! Χωρίς άδεια του κατασκευαστή, σε καμιά περίπτωση δεν επιτρέπεται μετατροπή του μηχανήματος σε σχέση με την αρχική του κατασκευή. Χρησιμοποιείτε πάντοτε γνήσια ανταλλακτικά. Μη εγκεκριμένες μετατροπές και/ή ανταλλακτικά μπορεί να έχουν ως συνέπεια σοβαρό ή θανατηφόρο τραυματισμό του χειριστή ή άλλων ατόμων.



ΠΡΟΕΙΔΟΠΟΙΗΣΗ! Αυτό το εξάρτημα επιτρέπεται να χρησιμοποιηθεί μόνο με τα προβλεπόμενα θαμνοκοπτικά/χλοοκοπτικά, δείτε στην παράγραφο με τίτλο “Εγκεκριμένα αξεσουάρ” του κεφαλαίου “Τεχνικά χαρακτηριστικά” του βιβλίου οδηγιών του μηχανήματος.

Το μηχάνημα είναι σχεδιασμένο μόνο για την εκθάμνωση μονοπατιών, ασφάλτινων οδών και παρόμοιων επιφανειών.

ΤΙ ΕΙΝΑΙ ΤΙ;



Τι είναι τι στη σκούπα;

- | | |
|--|--|
| 1 Τύμπανο βούρτσας | 6 Άξονας |
| 2 Άξονας τυμπάνου | 7 Περίβλημα γραναζιών |
| 3 Οδηγίες χρήσεως | 8 Διχαλωτός πείρος |
| 4 Πείρος ασφάλισης | 9 Σύζευξη άξονα (Ανήκει στο βασικό μηχάνημα) |
| 5 Προφυλακτήρας (Προστασία στον άξονα) | 10 Προστατευτικό λεπίδας |

Προστατευτικός εξοπλισμός του μηχανήματος

Στο μέρος αυτό παρουσιάζονται τα εξαρτήματα ασφαλείας του μηχανήματος, η αποστολή τους καθώς και ο τρόπος ελέγχου και συντήρησης για την ασφαλή λειτουργία τους. Βλ. κεφ. Τι είναι τι; για να βρείτε πού είναι τοποθετημένα αυτά τα εξαρτήματα στο μηχάνημα.

Η διάρκεια ζωής της μηχανής μπορεί να μειωθεί ενώ και ο κίνδυνος για ατυχήματα είναι μεγαλύτερος στην περίπτωση που δεν πραγματοποιείται η σωστή συντήρηση της μηχανής καθώς και εάν η επισκευή δε γίνεται με επαγγελματικό τρόπο. Εάν θέλετε περισσότερες πληροφορίες, επικοινωνήστε με το πλησιέστερο συνεργείο.



ΠΡΟΕΙΔΟΠΟΙΗΣΗ! Ποτέ μην χρησιμοποιείτε ένα μηχάνημα με ελαττωματικό εξοπλισμό ασφαλείας. Ο εξοπλισμός ασφαλείας του μηχανήματος πρέπει να ελέγχεται και να συντηρείται όπως περιγράφεται σε αυτό το κεφάλαιο. Εάν το μηχάνημά σας δεν πληρεί τους απαιτούμενους ελέγχους, απευθυνθείτε στον αντιπρόσωπο του σέρβις για επιδιόρθωση.



ΠΡΟΕΙΔΟΠΟΙΗΣΗ! Σθνήνετε πάντοτε τον κινητήρα πριν ξεκινήσετε εργασία σε οποιοδήποτε μέρος του αξεσουάρ. Ενδέχεται να συνεχίσει να κινείται ακόμη και αφού απελευθερωθεί το γκάζι. Βεβαιωθείτε ότι έχει σταματήσει εντελώς και αποσυνδέστε τα καλώδια ΥΤ από το μπουζί πριν ξεκινήσετε να εργάζεστε με αυτό.

Ατομικός προστατευτικός εξοπλισμός



ΠΡΟΕΙΔΟΠΟΙΗΣΗ! Σε οποιαδήποτε χρήση του μηχανήματος πρέπει να χρησιμοποιείτε εγκεκριμένο ατομικό προστατευτικό εξοπλισμό. Ο ατομικός προστατευτικός εξοπλισμός δεν εξουδετερώνει τον κίνδυνο τραυματισμού, παρά μειώνει τα αποτελέσματα ενός τραύματος σε περίπτωση ατυχήματος. Ζητήστε από τον έμπορο να σας βοηθήσει στην εκλογή προστατευτικού εξοπλισμού. Διαβάστε προσεκτικά τις Οδηγίες χρήσεως και κατανοήστε το περιεχόμενο πριν χρησιμοποιήσετε το μηχάνημα.



ΠΡΟΕΙΔΟΠΟΙΗΣΗ! Όταν φοράτε ωτασπίδες έχετε το νου σας ώστε να ακούσετε τυχόν προειδοποιητικά σήματα ή φωνές. Πάντα να βγάζετε τις ωτασπίδες μόλις σβήσει ο κινητήρας.

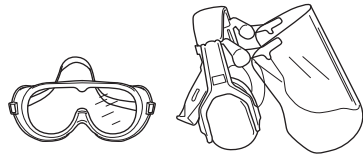
- Πρέπει να φοράτε γάντια όταν είναι αναγκαίο.



- Πρέπει να φοράτε ωτασπίδες που παρέχουν επαρκή μείωση του θορύβου.



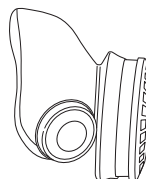
- Πρέπει να φοράτε πάντοτε εγκεκριμένη προστασία ματιών. Αν χρησιμοποιείτε προστατευτική μάσκα τότε θα πρέπει επίσης να φοράτε εγκεκριμένα προστατευτικά γυαλιά. Τα εγκεκριμένα προστατευτικά γυαλιά να συμμορφώνονται με το πρότυπο ANSI Z87.1 στις Η.Π.Α. ή με το πρότυπο EN 166 στις χώρες της Ε.Ε. Χτυπήματα από κλαδιά ή αντικείμενα που εκσφενδονίζονται μπορεί να τραυματίσουν τα μάτια σας.



- Φοράτε σταθερές, αντιολισθητικές μπότες.



- Φοράτε πάντα χοντρά, μακριά παντελόνια, μπότες, γάντια και πουκάμισα με μακρύ μανίκι. Για να μειώσετε τον κίνδυνο τραυματισμού που σχετίζεται με την εμπλοκή αντικειμένων σε κινούμενα μέρη, μην φοράτε χαλαρά ρούχα, μαντίλια, κοσμήματα κ.λπ. Δέστε τα μαλλιά σας πάνω από τους ώμους.
- Να φοράτε μάσκα προστασίας αναπνοής, επειδή υπάρχει κίνδυνος από σκόνες.



- Έχετε πάντοτε μαζί σας κιβώτιο πρώτων βοηθειών.



Γενικές οδηγίες ασφάλειας

ΣΗΜΑΝΤΙΚΟ!

Χρησιμοποιείτε το μηχάνημα μόνο για τις εργασίες για τις οποίες είναι σχεδιασμένο. Το μηχάνημα είναι σχεδιασμένο μόνο για την εκθάμνωση μονοπατιών, ασφάλτινων οδών και παρόμοιων επιφανειών.

Ποτέ μην χρησιμοποιείτε το μηχάνημα όταν είστε κουρασμένος, έχετε πει αλκοόλ ή πήρατε φάρμακα που επηρεάζουν την όρασή σας, την κρίση σας ή τον έλεγχο του σώματός σας.

Χρησιμοποιείτε κάθε φορά τον προσωπικό εξοπλισμό προστασίας που συνιστάται στο εγχειρίδιο για το βασικό μηχάνημα. Απευθυνθείτε στον αντιπρόσωπο για βοήθεια κατά την επιλογή του σωστού προστατευτικού εξοπλισμού.

Ποτέ μην χρησιμοποιείτε ένα μηχάνημα στο οποίο έγιναν τέτοιες μετατροπές, ώστε δεν είναι πια σύμφωνο με το πρωτότυπο.

Μην χρησιμοποιείτε ποτέ το μηχάνημα κάτω από ακραίες καιρικές συνθήκες όπως δριμύ ψύχος, πολύ θερμά και/ή υγρά κλίματα.

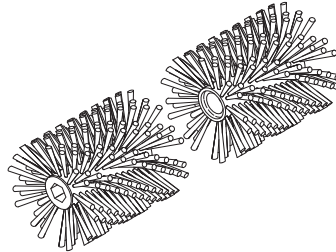
Μην χρησιμοποιείτε ποτέ το μηχάνημα εάν παρουσιάζει πρόβλημα. Εκτελείτε όλους τους ελέγχους ασφαλείας και τηρείτε τις οδηγίες συντήρησης και επισκευής που αναφέρονται στο παρόν εγχειρίδιο. Μερικά μέτρα συντήρησης και επισκευής πρέπει να εκτελούνται από εκπαιδευμένο και ειδικευμένο προσωπικό. Δείτε τις οδηγίες στην ενότητα με τίτλο Συντήρηση.

- Μην επιτρέπετε σε παιδιά να χρησιμοποιούν το μηχάνημα.
- Κατά την εργασία ο χειριστής του μηχανήματος να φροντίζει να μην βρίσκονται άνθρωποι ή ζώα πλησιέστερα από 15 μέτρα από το σημείο εργασίας.
- Μην επιτρέπετε σε κανέναν άλλον να χρησιμοποιήσει το μηχάνημα αν δεν έχετε βεβαιωθεί ότι γνωρίζει το περιεχόμενο των οδηγιών χρήσης.

Οδηγίες ασφάλειας πριν την εκκίνηση



- Κρατάτε σε απόσταση πρόσωπα άσχετα με τη δουλειά σας. Παιδιά, ζώα, θεατές και συνεργάτες να βρίσκονται έξω από τη ζώνη ασφαλείας που είναι 15 m. Σταματήστε αμέσως το μηχάνημα αν κάποιος σας πλησιάζει.
- Ελέγξτε το μηχάνημα πριν την εκκίνηση. Αντικαταστήστε εξαρτήματα που έχουν βλάβες. Ελέγξτε ότι δεν υπάρχει διαρροή καυσίμων και ότι όλοι οι προφυλακτήρες και τα καπάκια είναι ακέραια και καλά στερεωμένα. Ελέγξτε όλες τις βίδες και τα παξιμάδια.
- Ελέγξτε ότι τα τύμπανα βούρτσας δεν έχουν υποστεί ζημιά και δεν υπάρχουν ίχνη ρωγμών ή άλλες ζημιές.



Σε κρύα εκκίνηση:

- Εκτελέστε τη βασική προθέρμανση του μηχανήματος και στη συνέχεια απενεργοποιήστε το μηχάνημα.
- Τοποθετήστε το αξεσουάρ σύμφωνα με τις οδηγίες συναρμολόγησης.
- Κατά τη ρύθμιση του καρμπυρατέρ, βεβαιωθείτε ότι τα τύμπανα βούρτσας στηρίζονται στο έδαφος και ότι κανείς δε βρίσκεται πολύ κοντά.
- Βεβαιωθείτε ότι τα τύμπανα βούρτσας είναι στο ρελαντί.
- Βεβαιωθείτε ότι η χειρολαβή και οι μηχανισμοί ασφαλείας είναι σε καλή κατάσταση λειτουργίας. Ποτέ μην χρησιμοποιείτε ένα μηχάνημα από το οποίο λείπουν εξαρτήματα ή έχει τροποποιηθεί πέρα από τις προδιαγραφές του.
- Χρησιμοποιείτε το μηχάνημα μόνο για τις εργασίες για τις οποίες είναι σχεδιασμένο.

ΟΔΗΓΙΕΣ ΑΣΦΑΛΕΙΑΣ

Γενικές οδηγίες εργασίας

ΣΗΜΑΝΤΙΚΟ!

Αυτή η ενότητα περιγράφει τους βασικούς κανόνες ασφαλείας για τη χρήση της βούρτσας.

Εάν βρεθείτε σε κατάσταση που δεν είσατε βέβαιοι για το πώς να προχωρήσετε πρέπει να συμβουλευτείτε ειδικό. Απευθυνθείτε στον αντιπρόσωπο ή στο συνεργείο σας.

Αποφεύγετε κάθε χρήση που θεωρείτε ότι είναι πέρα από τις δυνατότητές σας.

Βασικοί κανόνες ασφαλείας

Προσέξτε τον περιγύρο σας:

- Για να βεβαιωθείτε ότι άνθρωποι, ζώα ή άλλα αντικείμενα δεν επηρεάζουν τον έλεγχο που έχετε πάνω στο μηχάνημα.
- Για να εξασφαλίσετε ότι τίποτε από τα παραπάνω δεν έρχεται σε επαφή με τη σκούπα ή με χαλαρά αντικείμενα που εκτοξεύονται.
- ΠΡΟΣΟΧΗ! Μην χρησιμοποιείτε το μηχάνημα παρά μόνο εφόσον έχετε τη δυνατότητα να καλέσετε βοήθεια σε περίπτωση ατυχήματος.
- 1 Αποφεύγετε χρήση όταν οι καιρικές συνθήκες είναι ακατάλληλες, όταν για παράδειγμα επικρατεί πυκνή ομίχλη, δυνατή βροχή, ισχυρός άνεμος, μεγάλη παγωνιά κλπ. Η εργασία με άσχημες καιρικές συνθήκες είναι κουραστική και συχνά επιφέρει πρόσθετους κινδύνους, όπως παγωμένο έδαφος.
- 2 Βεβαιωθείτε ότι μπορείτε να μετακινηθείτε και να σταθείτε με ασφάλεια.
- 3 Όταν μετακινείστε να σβήνετε τον κινητήρα.
- 4 Μην τοποθετείτε ποτέ το μηχάνημα κάτω με τον κινητήρα σε λειτουργία εκτός εάν το βλέπετε καλά.

Βασικές τεχνικές εργασίας

- Φροντίστε να έχετε ασφαλή και σταθερή στάση εργασίας



- Χρησιμοποιείτε και τα δύο χέρια για το κράτημα του μηχανήματος. Κρατάτε το μηχάνημα μπροστά σας.
- Βεβαιωθείτε ότι τα χέρια και τα πόδια σας δεν πλησιάζουν στη βούρτσα όταν λειτουργεί ο κινητήρας.
- Όταν ο κινητήρας είναι απενεργοποιημένος, κρατήστε τα χέρια και τα πόδια σας μακριά από τη βούρτσα μέχρι να σταματήσει τελείως.
- Πάντα μειώνετε την ταχύτητα του κινητήρα στο ρελαντί μετά από κάθε εργασία. Οι μεγάλες περιοδοί λειτουργίας με πλήρες γκάζι χωρίς φόρτιση του κινητήρα (δηλ. χωρίς την αντίσταση που αισθάνεται ο κινητήρας από το εξάρτημα κοπή) όταν χρησιμοποιείτε το μηχάνημα) μπορούν να οδηγήσουν σε σοβαρά ζημιά του κινητήρα.
- Αν παρουσιάσει ισχυρές δονήσεις, σταματήστε το μηχάνημα. Βγάλτε το καλώδιο του μπουζιού. Ελέγξτε ότι το μηχάνημα δεν έχει πάθει βλάβες. Επιδιορθώστε ενδεχόμενες βλάβες.



ΠΡΟΕΙΔΟΠΟΙΗΣΗ! Προσέξτε για εκτοξευόμενα αντικείμενα.

Χρησιμοποιείτε πάντα προστασία για τα μάτια. Μην σκύβετε ποτέ πάνω από το τύμπανο βούρτσας. Υπάρχει κίνδυνος να εκτοξευθούν πέτρες, σκουπίδια, κλπ. στα μάτια σας προκαλώντας τύφλωση ή σοβαρό τραυματισμό. Κρατάτε σε απόσταση πρόσωπα άσχετα με τη δουλειά σας. Παιδιά, ζώα, θεατές και συνεργάτες να βρίσκονται έξω από τη ζώνη ασφαλείας που είναι 15 m. Σταματήστε αμέσως το μηχάνημα αν κάποιος σας πλησιάζει. Τα γρανάζια μπορεί να ζεσταθούν πολύ κατά τη χρήση και ενδέχεται να παραμείνουν σε αυτήν την κατάσταση για σύντομο διάστημα μετά τη χρήση. Υπάρχει κίνδυνος εγκαυμάτων σε περίπτωση επαφής.

- Θέστε σε λειτουργία το μηχάνημα με όλο το γκάζι (ή σχεδόν όλο) με τη βούρτσα πάνω στην επιφάνεια.

Είναι κουραστικό αλλά και άχρηστο να σηκώνετε ή να κρατάτε τη βούρτσα πάνω από την επιφάνεια κατά την εργασία.

ΟΔΗΓΙΕΣ ΑΣΦΑΛΕΙΑΣ

- Όταν καθαρίζετε στενές επιφάνειες, όπως μονοπάτια, μπορείτε να χρησιμοποιήσετε το μηχάνημα ώστε να εκτοξεύει τα υλικά ακριβώς μπροστά σας. Εάν θέλετε να εργαστείτε σε πιο πλατιές επιφάνειες, ίσως πρέπει να εργαστείτε υπό γωνία ώστε να σχηματίζονται σωροί στη μία πλευρά. Οι σωροί που αποτελούνται από ελαφριά υλικά μπορούν να συγκεντρωθούν σε μία γραμμή ή στοίβα για απομάκρυνση ενώ τα σκληρά ή ογκώδη υλικά ίσως χρειαστεί να συγκεντρώνονται σε πολλούς σωρούς.



Για πρόσβαση σε γωνίες, αφαιρέστε το λασπώτηρα, χαλαρώστε το σύνδεσμο του αξεσουάρ και περιστρέψτε το αξεσουάρ κατά μισή στροφή.



ΠΡΟΕΙΔΟΠΟΙΗΣΗ! Τα σκουπίδια θα εκτοξεύονται τότε προς το χρήστη. Χρησιμοποιήστε χαμηλότερη ταχύτητα όταν κάνετε όπισθεν το μηχάνημα και μην ξεχνάτε ότι είναι εύκολο να σκοντάψετε στα υλικά που εκτοξεύονται.

- Διατηρήστε μικρή γωνία εργασίας. Μια πολύ μεγάλη γωνία εργασίας μπορεί να προκαλέσει απώλεια του ελέγχου.

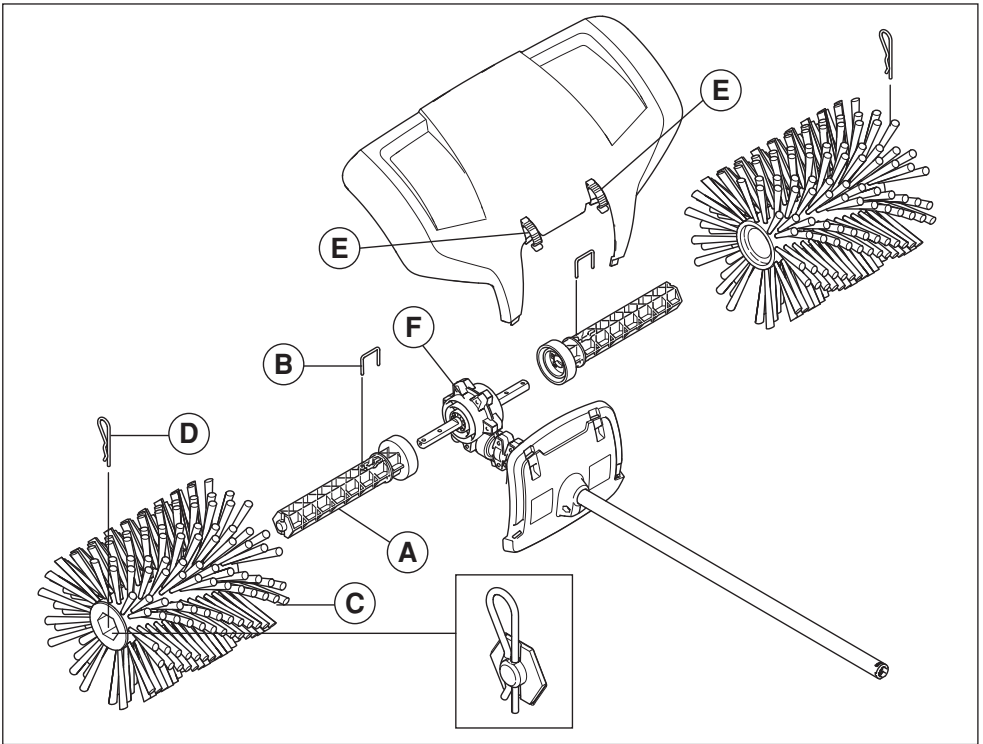


ΠΡΟΕΙΔΟΠΟΙΗΣΗ! Διατηρήστε μικρή γωνία εργασίας με την επιφάνεια. Μια πολύ μεγάλη γωνία εργασίας έχει ως αποτέλεσμα η σκούπα να τείνει να μετακινηθεί προς το μέρος σας με κίνδυνο να χάσετε τον έλεγχο του μηχανήματος.

Τα τύμπανα θούρτσας ενδέχεται να περιστραφούν κατά την εκκίνηση της σκούπας. Κρατήστε σταθερά το μηχάνημα κατά την εκκίνηση. Προσέξτε για αντικείμενα που μπορεί να μπλεχτούν ή να εκτοξευτούν από τα περιστρεφόμενα τύμπανα θούρτσας.

Μολονότι τα τύμπανα θούρτσας δεν έχουν την ίδια ισχύ με τις λεπίδες ενός χλοοκοπτικού γκαζόν, για παράδειγμα, θα πρέπει να αποφεύγετε να εργάζεστε με υλικά που μπορούν να προκαλέσουν τραυματισμό ή υλικές ζημιές εάν εκτοξευθούν.

ΣΥΝΑΡΜΟΛΟΓΗΣΗ



Συναρμολόγηση του αξεσουάρ σκούπας

- 1 Πιέστε έναν από τους άξονες τυμπάνου (Α) πάνω σε έναν από τους δύο άξονες μετάδοσης κίνησης που εξέρχονται από το περίβλημα γραναζιών (ΣΤ). Περιστρέψτε τον άξονα τυμπάνου, εάν χρειάζεται, ώστε η οπή του πείρου να ταιριάζει με την αντίστοιχη οπή στον άξονα μετάδοσης κίνησης.
- 2 Ασφαλίστε τον κύλινδρο οδηγό με τον πείρο ασφάλισης (Β).
- 3 Τοποθετήστε έναν από τους κυλίνδρους βούρτσας (Δ) στο συναρμολογημένο άξονα. Πιέστε μέσα το κύλινδρο μέχρι να σταματήσει.
- 4 Ασφαλίστε τον κύλινδρο στον άξονα με ένα διχαλωτό πείρο ασφαλείας (Δ). Πιέστε ελαφρά το άκρο προς τα μέσα κατά τη συναρμολόγηση.
- 5 Επαναλάβετε αυτά τα βήματα για να συναρμολογήσετε τον άξονα και τον κύλινδρο στην αντίθετη πλευρά.
- 6 Τοποθετήστε το λασπωτήρα με τους σφικτήρες ασφάλισης (Ε).
- 7 Για τη συναρμολόγηση εξαρτημάτων στο βασικό μηχάνημα, ανατρέξτε στο εγχειρίδιο χρήσης του βασικού μηχανήματος.

Πρόγραμμα συντήρησης

Παρακάτω ακολουθούν μερικές γενικές οδηγίες συντήρησης. Εάν θέλετε πρόσθετες πληροφορίες απευθυνθείτε στο συνεργείο σας.

ΣΗΜΑΝΤΙΚΟ!

Η εργασία με τη σκούπα γίνεται συχνά σε συνθήκες πολλής σκόνης. Είναι πολύ σημαντικό να φροντίζετε τη συντήρηση του φίλτρου αέρα τακτικά, πολλές φορές ακόμη και καθημερινά. Το φίλτρο αέρα πρέπει να λαδώνεται για να λειτουργεί σωστά.

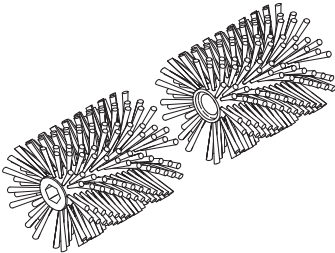
Ανατρέξτε στο εγχειρίδιο χειριστή του προϊόντος για οδηγίες συντήρησης.

Καθημερινή φροντίδα



ΠΡΟΕΙΔΟΠΟΙΗΣΗ! Το περίβλημα των γραναζιών ζεσταίνεται πολύ μετά τη χρήση του μηχανήματος. Για να αποφύγετε τυχόν έγκαυμα, μην αγγίζετε το περίβλημα των γραναζιών.

- Ελέγξτε ότι τα τύμπανα βούρτσας δεν περιστρέφονται στο ρελαντί.



- Ελέγξτε ότι τα τύμπανα βούρτσας δεν έχουν υποστεί ζημιά ή ρωγμές. Αντικαταστήστε τα τύμπανα βούρτσας εάν χρειάζεται.
- Κρεμάστε ψηλά τη βούρτσα κατά την αποθήκευση για μεγάλες χρονικές περιόδους.

Μεταφορά και αποθήκευση

- Σε περίπτωση μεταφοράς του μηχανήματος σε άλλο όχημα, χρησιμοποιείτε πάντα τις εγκεκριμένες συσκευές ασφαλείας και βεβαιωθείτε ότι κρατάτε καλά το μηχανήμα.
- Πριν αποθηκεύσετε το μηχανήμα για μεγάλο χρονικό διάστημα, βεβαιωθείτε ότι έχει προηγουμένως καθαριστεί και ότι πλήρες σέρβις έχει πραγματοποιηθεί.

Τεχνικά στοιχεία

Τεχνικά στοιχεία

Σκούπα

BR600

Πλάτος τυμπάνου βούρτσας, mm

597

Διάμετρος τυμπάνου βούρτσας, mm

270

Βάρος

Βαρος,kg

5,5

Εκπομπές θορύβου

(βλ.σημ. 1)

Μετρημένη ηχητική στάθμη σε dB(A)

105

Εγγυημένη ηχητική στάθμη L_{WA} dB(A)

109

Στάθμες θορύβου

(βλ. σημ. 2)

Ισοδύναμο ηπίπηδο πίεσης ήχου στο αυτί του χειριστή, μητρημένο σύμφωνα με την EN ISO 22868, dB(A):

96

Κραδασμοί

(βλ. σημ. 3)

Αντίστοιχες στάθμες κραδασμών ($a_{hv,eq}$) στις λαβές, μετρεμένες σύμφωνα με τα EN ISO 22867, m/s^2

μπρός/πίσω χειρολαβή:

3,7/6,2

Σημείωση 1: Μετρημένα μαζί με τα εγκεκριμένα αξεσουάρ της Husqvarna. Εκπομπή θορύβου προς το περιβάλλον μετρήθηκε ως ισχύς ήχου (L_{WA}) σύμφωνα με την Οδγεία EK 2000/14/EK. Η καταγεγραμμένη στάθμη ηχητικής ισχύος για το μηχάνημα έχει μετρηθεί με το αυθεντικό παρελκόμενο κοπής, που δίνει την υψηλότερη στάθμη. Η διαφορά μεταξύ της εγγυημένης και της μετρημένης ηχητικής ισχύος είναι ότι η εγγυημένη ηχητική ισχύς περιλαμβάνει επίσης τη διασπορά στο αποτέλεσμα της μέτρησης και τις αποκλίσεις μεταξύ των διαφορετικών μηχανημάτων του ίδιου μοντέλου σύμφωνα με την Οδηγία 2000/14/EK.

Σημείωση 2: Μετρημένα μαζί με τα εγκεκριμένα αξεσουάρ της Husqvarna. Τα καταγεγραμμένα στοιχεία για την αντίστοιχη στάθμη πίεσης θορύβου για το μηχάνημα έχουν μία τυπική στατιστική διασπορά (τυπική απόκλιση) της τάξης του 1 dB (A).

Σημείωση 3: Μετρημένα μαζί με τα εγκεκριμένα αξεσουάρ της Husqvarna. Τα καταγεγραμμένα στοιχεία για τον αντίστοιχο στάθμη κραδασμών έχουν μία τυπική στατιστική διασπορά (τυπική απόκλιση) τες τάξης του 1 m/s^2 .

ΕΚ-Βεβαίωση συμφωνίας (Ισχύει μόνο στην Ευρώπη)

H Husqvarna AB, SE-561 82 Huskvarna, Σουηδία, τηλ. +46-36-146500 δηλώνει ότι το αξεσουάρ σκούπας **Husqvarna BR600 / Jonsered BR600** συμμορφώνεται με τις απαιτήσεις της ΟΔΗΓΑΣ ΤΟΥ ΣΥΜΒΟΥΛΟΥ:

- μη ημερομηνία 17 Μαΐου 2006 "σχητικά μη τα μηχανήματα" **2006/42/EK**.

Εφαρμόστηκαν τα εξής πρότυπα: **SS-EN ISO 12100:2010**

H SMP Svensk Maskinprovning AB, Box 7035, SE-750 07 Uppsala, Sverige, έχει ηκτιλέσει προαιρετικό έλλγηχο μοντέλου για λογαριασμό της Husqvarna AB.

Αυτό το εξάρτημα επιτρέπεται να χρησιμοποιηθεί μόνο με τα προβλεπόμενα θαμνοκοπτικά/χλοοκοπτικά, δείτε στην παράγραφο με τίτλο "Εγκεκριμένα αξεσουάρ" του κεφαλαίου "Τεχνικά χαρακτηριστικά" του βιβλίου οδηγιών του μηχανήματος. Τα Πιστοποιητικά έχουν τους αριθμούς: **SEC/15/2412** - BR600

Huskvarna 18 φεβρουαρίου 2015



Per Gustafsson, Διευθυντής ανάπτυξης

(Εξουσιοδοτημένος αντιπρόσωπος της Husqvarna AB και υπεύθυνος για την τεχνική τεκμηρίωση.)

KEY TO SYMBOLS

Symbols

WARNING!

A sweeper can be a dangerous tool if used incorrectly or carelessly, which can cause serious or fatal injury to the operator or others. It is extremely important that you read and understand the contents of this Operator's Manual.



Please read the operator's manual carefully and make sure you understand the instructions before using the machine.



Always wear:

- A protective helmet where there is a risk of falling objects
- Approved hearing protection
- Approved eye protection
- A breathing mask should be used when there is a risk of dust.



The operator of the machine must ensure, while working, that no persons or animals come closer than 15 meters (50 ft.).



Always wear approved protective gloves.



Wear sturdy, non-slip boots.



Keep all parts of your body away from the hot surfaces.



Warning: rotating parts. Keep hands and feet clear.



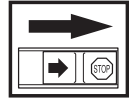
Watch out for thrown objects and ricochets.



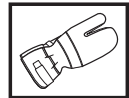
Other symbols/decals on the machine refer to special certification requirements for certain markets.

The engine is switched off by moving the stop switch to the stop position.

CAUTION! The stop switch automatically returns to the start position. In order to prevent unintentional starting, the spark plug cap must be removed from the spark plug when assembling, checking and/or performing maintenance.



Always wear approved protective gloves.



Visual check.



CONTENTS

Contents

KEY TO SYMBOLS

Symbols 244

CONTENTS

Contents 245

Note the following before starting: 245

WHAT IS WHAT?

What is what on the sweeper? 246

SAFETY INSTRUCTIONS

Machine's safety equipment 247

Personal protective equipment 247

General safety precautions 248

General working instructions 248

ASSEMBLY

Assembling the sweeper accessory 251

MAINTENANCE

Maintenance schedule 252

TECHNICAL DATA

Technical data 253

Note the following before starting:

Please read the operator's manual carefully and make sure you understand the instructions before using the machine.

These instructions supplement the instructions that were included with the machine. For other procedures, please refer to the operating instructions for the machine.

Husqvarna AB has a policy of continuous product development and therefore reserves the right to modify the design and appearance of products without prior notice.

Long-term exposure to noise can result in permanent hearing impairment. So always use approved hearing protection.



WARNING! Under no circumstances may the design of the machine be modified without the permission of the manufacturer. Always use genuine accessories. Non-authorized modifications and/or accessories can result in serious personal injury or the death of the operator or others.

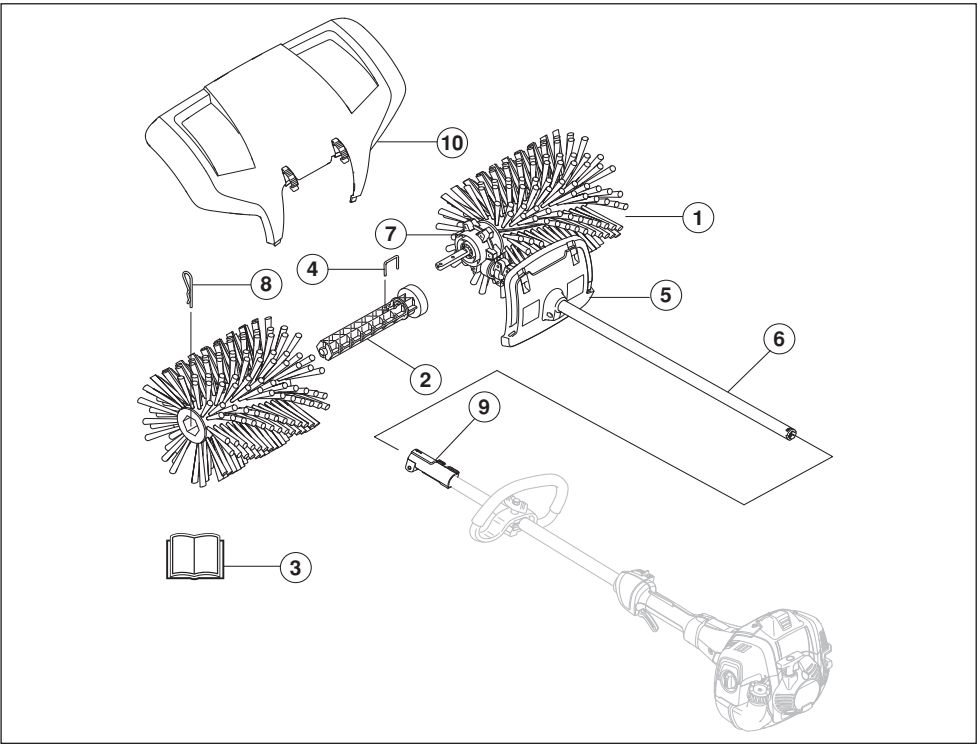
Your warranty may not cover damage or liability caused by the use of non-authorized accessories or replacement parts.



WARNING! This accessory may only be used together with the intended brush cutter/trimmer, see under heading "Approved accessories" in chapter Technical data in the machine's Operator's Manual.

The machine is only designed for brushing pathways, asphalt roads and such.

WHAT IS WHAT?



What is what on the sweeper?

- | | | | |
|---|-----------------------------|----|---|
| 1 | Brush drum | 6 | Shaft |
| 2 | Drum axle | 7 | Gear housing |
| 3 | Operator's manual | 8 | Split pin |
| 4 | Locking pin | 9 | Shaft coupling (Belongs to basic machine) |
| 5 | Guard (Protection on shaft) | 10 | Splash guard |

SAFETY INSTRUCTIONS

Machine's safety equipment

This section describes the machine's safety equipment, its purpose, and how checks and maintenance should be carried out to ensure that it operates correctly. See the "What is what?" section to locate where this equipment is positioned on your machine.

The life span of the machine can be reduced and the risk of accidents can increase if machine maintenance is not carried out correctly and if service and/or repairs are not carried out professionally. If you need further information please contact your nearest servicing dealer.



WARNING! Never use a machine with faulty safety equipment. The machine's safety equipment must be checked and maintained as described in this section. If your machine fails any of these checks contact your service agent to get it repaired.



WARNING! Always stop the engine before you work on any part of the accessory. It can continue to move even after the throttle is released. Ensure the accessory has stopped completely and disconnect the HT leads from the spark plug before you start to work on it.

Personal protective equipment



WARNING! You must use approved personal protective equipment whenever you use the machine. Personal protective equipment cannot eliminate the risk of injury but it will reduce the degree of injury if an accident does happen. Ask your dealer for help in choosing the right equipment. Please read the operator's manual carefully and make sure you understand the instructions before using the machine.



WARNING! Listen out for warning signals or shouts when you are wearing hearing protection. Always remove your hearing protection as soon as the engine stops.

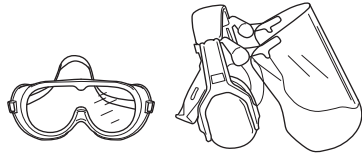
- Gloves should be worn when necessary.



- Wear hearing protection that provides adequate noise reduction.



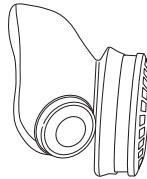
- Always wear approved eye protection. If you use a visor then you must also wear approved protective goggles. Approved protective goggles must comply with standard ANSI Z87.1 in the USA or EN 166 in EU countries. Blows from branches or objects that are thrown can damage the eyes.



- Wear sturdy, non-slip boots.



- Always wear heavy, long pants, boots, gloves, and a long-sleeve shirt. To reduce the risk of injury associated with objects being drawn into rotating parts, do not wear loose clothing, scarves, jewelry, etc. Secure hair so it is above shoulder level.
- A breathing mask should be used when there is a risk of dust.



- Always have a first aid kit nearby.



SAFETY INSTRUCTIONS

General safety precautions

IMPORTANT!

Only use the machine for the purpose it was intended for. The machine is only designed for brushing pathways, asphalt roads and such.

Never use the machine if you are tired, if you have drunk alcohol, or if you are taking medication that could affect your vision, your judgement or your co-ordination.

Use the personal protective equipment recommended in the manual for the basic machine. Ask your dealer for help in choosing the right protective equipment.

Never use a machine that has been modified in any way from its original specification.

Never use the machine in extreme weather conditions such as severe cold, very hot and/or humid climates.

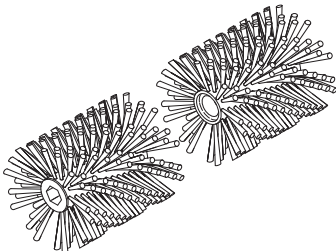
Never use a machine that is faulty. Carry out the safety checks, maintenance and service instructions described in this manual. Some maintenance and service measures must be carried out by trained and qualified specialists. See instructions under the heading Maintenance.

- Never allow children to use the machine.
- The operator of the machine must ensure, while working, that no persons or animals come closer than 15 meters (50 ft.).
- Never allow anyone else to use the machine without first ensuring that they have read and understood the contents of the operator's manual.

Safety instructions before starting work



- Keep unauthorised persons at a distance. Children, animals, onlookers and helpers should be kept outside the safety zone of 15 m. (50 ft.) Stop the machine immediately if anyone approaches.
- Check the entire machine before starting. Replace damaged parts. Check that there are no fuel leaks and that all guards and covers are complete and fastened securely. Check all nuts and screws.
- Check that the brush drums are not damaged and show no signs of cracking or other damage.



When starting from cold:

- Run the basic machine warm and then shut down the machine.
- Mount the accessory as per the assembly instructions.
- When adjusting the carburetor, make sure that the brush drums are held against the ground and that no one else is in the vicinity.
- Make sure the brush drums are idling.
- Make sure that the handle and safety features are in good working order. Never use a machine that lacks a part or has been modified outside its specifications.
- Only use the machine for the purpose it was intended for.

General working instructions

IMPORTANT!

This section describes basic safety rules for using the brush.

If you encounter a situation where you are uncertain how to proceed you should ask an expert. Contact your dealer or your service workshop.

Avoid all usage which you consider to be beyond your capability.

Basic safety rules

Look around you:

- To ensure that people, animals or other things cannot affect your control of the machine.
 - To make sure that none of the above risk coming in contact with the sweeper or loose objects being thrown out.
 - CAUTION! Do not use the machine unless you are able to call for help in the event of an accident.
- 1 Do not use the machine in bad weather, such as dense fog, heavy rain, strong wind, intense cold, etc. Working in bad weather is tiring and often brings added risks, such as icy ground.
 - 2 Make sure you can move and stand safely.
 - 3 The engine must be switched off before moving.
 - 4 Never put the machine down with the engine running unless you have it in clear sight.

SAFETY INSTRUCTIONS

Basic working techniques

- Always ensure you have a safe and stable working position.



- Always use both hands to hold the machine. Hold the machine at the side of your body.
- Make sure that your hands and feet do not come near the brush when the engine is running.
- When the motor is switched off, keep your hands and feet away from the brush until it has stopped completely.
- Always slow the engine to idle speed after each working operation. Long periods at full throttle without any load on the engine (i.e. without the resistance that the cutting attachment exerts on the engine when you are using the machine) can lead to serious engine damage.
- If heavy vibration occurs, stop the machine. Disconnect the HT lead from the spark plug. Check that the machine is not damaged. Repair any damage.



WARNING! Watch out for thrown objects. Always wear eye protection. Never bend over the brush drum. Stones, rubbish, etc. can be thrown up into the eyes causing blindness or serious injury. Keep unauthorised persons at a distance. Children, animals, onlookers and helpers should be kept outside the safety zone of 15 m. (50 ft.) Stop the machine immediately if anyone approaches. The gear can get hot during use and may remain so for a while afterwards. You could get burnt if you touch it.

- Run the machine at full gas (or nearly full gas) with the brush resting on the surface.

NOTE!

It is both tiring and unnecessary to lift or hold the brush above the surface when working.

- When clearing narrow surfaces such as paths, the machine can be used so that it throws materials straight in front of you. If you want to work on wider surfaces, you may need to work at an angle so that strands form on one side. Strands comprising light materials can be collected into one row or pile for later removal while hard or more bulky materials may need collecting in several strands.



In order to get into corners, remove the splash guard and loosen the accessory coupling and rotate the accessory half a turn.



WARNING! Rubbish will then be thrown back towards the user. Use a lower speed when reversing the machine and remember that it is easy to trip over materials that are thrown out.

SAFETY INSTRUCTIONS

- Keep a small working angle. Too large a working angle can mean you lose control.

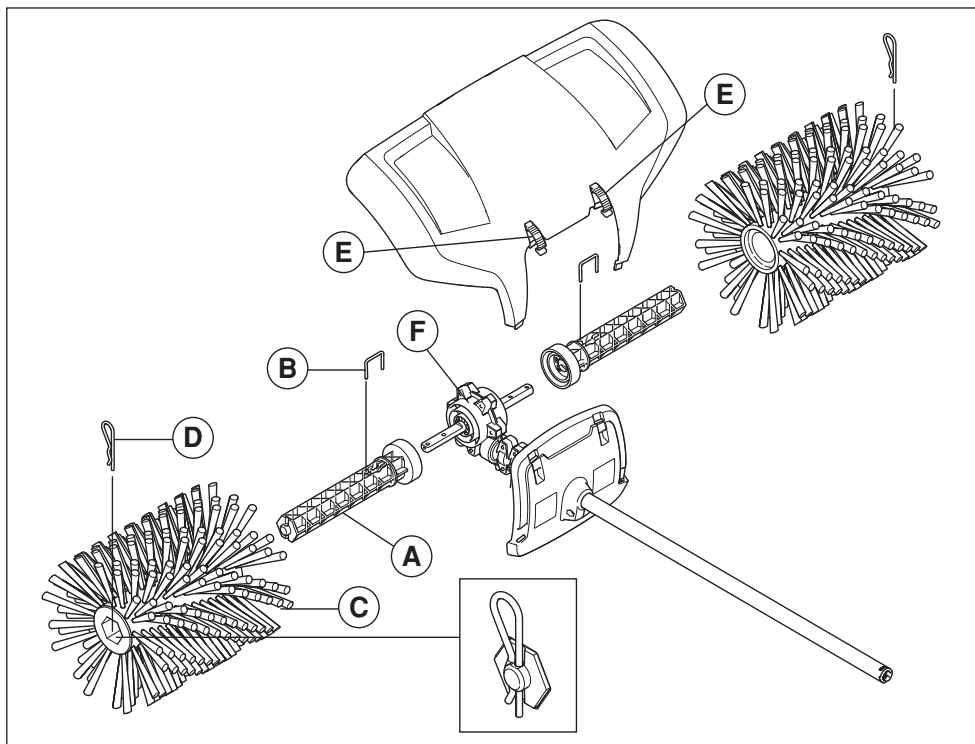


WARNING! Keep a small working angle to the surface. Too large a working angle means the sweeper tends to move towards you and you risk losing control of the machine.

The brush drums can rotate when the sweeper is started. Hold the machine securely when starting. Be observant to objects that can fasten in or be thrown out of the rotating brush drums.

Although the brush drums do not have the same force as lawn mower blades, for example, you should avoid working with materials that can cause personal injury or damage to property if thrown out.

ASSEMBLY



Assembling the sweeper accessory

- 1 Press one of the drum axles (A) onto one of the two outgoing drive shafts from the gear housing (F). Rotate the drum axle if necessary so that the pin hole comes over the corresponding hole in the drive shaft.
- 2 Fasten the roller shaft with locking pin (B).
- 3 Put one of the brush rollers (C) onto the assembled shaft. Press in the roller until it stops.
- 4 Fasten the roller on the shaft with a cotter pin (D). Press in the end slightly when assembling.
- 5 Repeat these steps to assemble the axle and roller on the opposite side.
- 6 Mount the splash guard with the snap-on fasteners (E).
- 7 For assembling accessories on basic machine, refer to manual for basic machine.

MAINTENANCE

Maintenance schedule

Below you will find some general maintenance instructions. If you need further information please contact your service workshop.

IMPORTANT!

Working on the sweeper is often done in dusty conditions. It is extremely important to take care of air filter maintenance regularly, often daily. The air filter must be oiled to work satisfactorily.

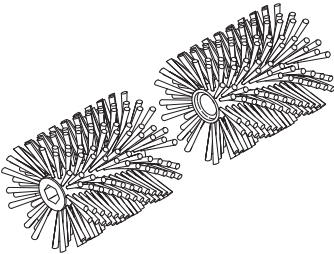
Refer to the product's operator's manual for maintenance instructions.

Daily maintenance



WARNING! The gear housing gets hot when the machine has been in use. To avoid burning yourself do not touch the gear housing.

- Check that the brush drums do not rotate at idle.



- Check that the brush drums are not damaged or cracked. Replace the brush drums if necessary.
- Hang up the brush when in storage for long periods.

Transport and storage

- If transporting the machine on another vehicle always use approved securing devices and make sure that the machine is securely held.
- Ensure the machine is cleaned and that a complete service is carried out before long-term storage.

TECHNICAL DATA

Technical data

Technical data

Sweeper

Brush drum width, mm	23,5/597
Brush drum diameter, mm	270

Weight

Weight, lb/kg	12,1/5,5
---------------	----------

Sound levels

(see note 1)

Equivalent sound pressure level at the operator's ear, measured according to ISO 22868, dB(A):	96
--	----

Vibrations

(see note 2)

Equivalent vibration levels ($a_{h,v,eq}$) at handles, measured according to ISO 22867, m/s^2

Front/rear handles:	3,7/6,2
---------------------	---------

Note 1: Measured together with Husqvarna approved accessories. Reported data for equivalent sound pressure level for the machine has a typical statistical dispersion (standard deviation) of 1 dB (A).

Note 2: Measured together with Husqvarna approved accessories. Reported data for equivalent vibration level has a typical statistical dispersion (standard deviation) of 1 m/s^2 .

EXPLICATION DES SYMBOLES

Symboles

AVERTISSEMENT!

Un balai peut devenir un outil dangereux s'il est mal utilisé ou négligé, ce qui peut causer des blessures graves ou mortelles à l'opérateur ou à d'autres personnes. Il est extrêmement important de lire et de comprendre le contenu de ce manuel de l'opérateur.



Lire attentivement et bien assimiler le manuel d'utilisation avant d'utiliser la machine.



Toujours utiliser:

- Un casque de protection là où il y a risque de chute d'objets
- Protecteurs d'oreilles homologués
- Des protège-yeux homologués
- Utiliser une protection respiratoire dans les environnements poussiéreux.



L'utilisateur de la machine doit s'assurer qu'aucune personne ou animal ne s'approche à moins de 15 mètres (50 ft.) pendant le travail.



Toujours porter des gants de protection homologués.



Utiliser des bottes antidérapantes et stables.



Maintenez toutes les parties de votre corps à distance des surfaces chaudes et brûlantes.



Avertissement : pièces en rotation. Gardez les mains et les pieds éloignés.

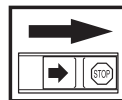


Attention: projections et ricochets.

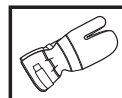


Les autres symboles/autocollants présents sur la machine concernant des exigences de certification spécifiques à certains marchés.

Arrêter le moteur en déplaçant l'interrupteur d'arrêt en position d'arrêt. REMARQUE! L'interrupteur d'arrêt se remet automatiquement en position de démarrage. Toujours retirer le chapeau de bougie de la bougie lors du montage, contrôle et/ou entretien, afin d'éviter tout démarrage accidentel.



Toujours porter des gants de protection homologués.



Examen visuel.



SOMMAIRE

Sommaire

EXPLICATION DES SYMBOLES

Symboles 254

SOMMAIRE

Sommaire 255

Contrôler les points suivants avant la mise en marche: 255

QUELS SONT LES COMPOSANTS?

Quelles sont les parties du balai? 256

INSTRUCTIONS DE SÉCURITÉ

Équipement de sécurité de la machine 257

Équipement de protection personnelle 257

Instructions générales de sécurité 258

Méthodes de travail 259

MONTAGE

Montage du balai accessoire 262

ENTRETIEN

Schéma d'entretien 263

CARACTÉRISTIQUES TECHNIQUES

Caractéristiques techniques 264

Contrôler les points suivants avant la mise en marche:

Lire attentivement et bien assimiler le manuel d'utilisation avant d'utiliser la machine.

Ces instructions sont un complément au manuel qui accompagne la machine. Pour les autres instructions, se reporter au manuel d'utilisation de la machine.

Husqvarna AB travaille continuellement au développement de ses produits et se réserve le droit d'en modifier, entre autres, la conception et l'aspect sans préavis.

Une exposition prolongée au bruit risque de causer des lésions auditives permanentes. Toujours utiliser des protecteurs d'oreille agréés.



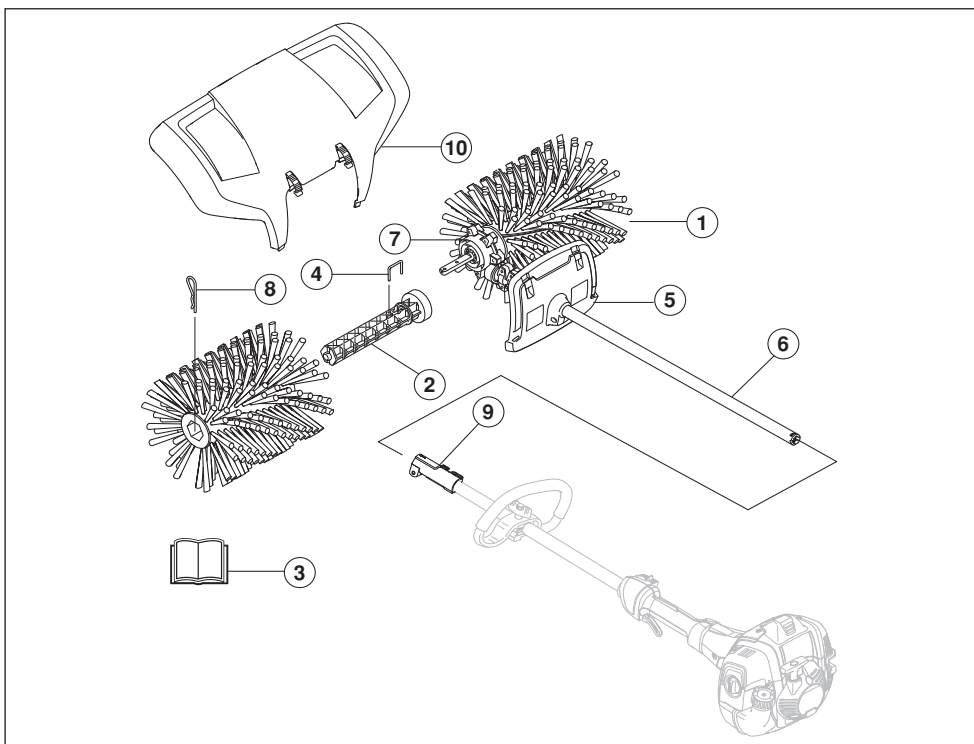
AVERTISSEMENT! Ne jamais modifier sous aucun prétexte la machine sans l'autorisation du fabricant. N'utiliser que des accessoires et des pièces d'origine. Des modifications non-autorisées et l'emploi d'accessoires non-homologués peuvent provoquer des accidents graves et même mortels, à l'utilisateur ou d'autres personnes.



AVERTISSEMENT! Cet accessoire ne peut être utilisé que pour les débroussailleuses/coupebordures auxquels il est expressément destiné. Voir la section "Accessoires homologués" au chapitre Caractéristiques techniques dans le manuel d'utilisation de la machine.

La machine est conçue pour le broissage des sentiers, des routes bitumées et autres surfaces du même genre.

QUELS SONT LES COMPOSANTS?



Quelles sont les parties du balai?

- | | |
|---------------------------------------|---|
| 1 Rouleau brossier | 6 Tube de transmission |
| 2 Arbre de rouleau | 7 Carter |
| 3 Manuel d'utilisation | 8 Goupille fendue |
| 4 Goupille de blocage | 9 Raccord du tube de transmission (Appartient à la machine de base) |
| 5 Protection (Protection sur l'arbre) | 10 Protection anti-éclaboussures |

INSTRUCTIONS DE SÉCURITÉ

Équipement de sécurité de la machine

Ce chapitre présente les équipements de sécurité de la machine, leur fonction, comment les utiliser et les maintenir en bon état. Voir au chapitre Quels sont les composants? pour trouver leur emplacement sur la machine.

La durée de vie de la machine risque d'être écourtée et le risque d'accidents accru si la maintenance de la machine n'est pas effectuée correctement et si les mesures d'entretien et/ou de réparation ne sont pas effectuées de manière professionnelle. Pour obtenir de plus amples informations, contacter l'atelier de réparation le plus proche.



AVERTISSEMENT! Ne jamais utiliser une machine dont les équipements de sécurité sont défectueux. Contrôler et entretenir les équipements de sécurité de la machine conformément aux instructions données dans ce chapitre. Si les contrôles ne donnent pas de résultat positif, confier la machine à un atelier spécialisé.



AVERTISSEMENT! Arrêtez toujours le moteur avant de travailler sur une partie quelconque de l'accessoire. Il peut continuer à se déplacer même après que vous ayez relâché l'accélérateur. Assurez-vous que l'accessoire est complètement arrêté et déconnecté les fils HT de la bougie avant de commencer à travailler sur l'accessoire.

Équipement de protection personnelle



AVERTISSEMENT! Un équipement de protection personnelle homologué doit impérativement être utilisé lors de tout travail avec la machine. L'équipement de protection personnelle n'élimine pas les risques mais réduit la gravité des blessures en cas d'accident. Demander conseil au concessionnaire afin de choisir un équipement adéquat. Lire attentivement et bien assimiler le manuel d'utilisation avant d'utiliser la machine.



AVERTISSEMENT! Soyez toujours attentifs aux signaux d'alerte ou aux appels en portant des protège-oreilles. Enlevez-les sitôt le moteur arrêté.

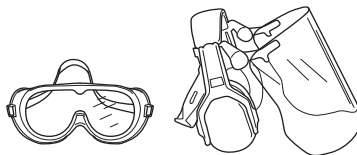
- Au besoin, utiliser des gants.



- Porter des protège-oreilles ayant un effet atténuateur suffisant.



- Toujours porter des protège-yeux homologués. L'usage d'une visière doit toujours s'accompagner du port de lunettes de protection homologuées. Par lunettes de protection homologuées, on entend celles qui sont en conformité avec les normes ANSI Z87.1 (États-Unis) ou EN 166 (pays de l'UE). Les branches ou objets projetés peuvent causer des blessures aux yeux.

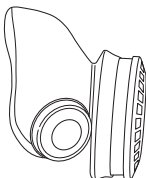


INSTRUCTIONS DE SÉCURITÉ

- Utiliser des bottes antidérapantes et stables.



- Toujours porter des pantalons résistants et longs, des bottes, des gants et des manches longues. Pour réduire tout risque de blessure provoquée par des objets attirés dans les pièces en rotation, ne pas porter de vêtements larges, d'écharpe, de bijoux, etc. S'attacher les cheveux de manière à ce qu'ils ne tombent pas en dessous des épaules.
- Utiliser une protection respiratoire dans les environnements poussiéreux.



- Une trousse de premiers secours doit toujours être disponible.



Instructions générales de sécurité

IMPORTANT!

Utiliser la machine uniquement pour les travaux auxquels elle est destinée. La machine est conçue pour le brossage des sentiers, des routes bitumées et autres surfaces du même genre.

Éviter d'utiliser la machine en cas de fatigue, d'absorption d'alcool ou de prise de médicaments susceptibles d'affecter l'acuité visuelle, le jugement ou la maîtrise du corps.

Utilisez l'équipement de protection personnelle recommandé dans le manuel de la machine de base. Communiquez avec votre concessionnaire pour obtenir de l'aide dans le choix de l'équipement de protection.

Ne jamais utiliser une machine qui a été modifiée au point de ne plus être conforme au modèle original.

Ne jamais utiliser la machine dans des conditions climatiques extrêmes telles que la froid intense ou climat très chaud et/ou humide.

Ne jamais utiliser une machine qui n'est pas en parfait état de marche. Appliquer les instructions de maintenance et d'entretien ainsi que les contrôles de sécurité indiqués dans ce manuel d'utilisation. Certaines mesures de maintenance et d'entretien doivent être confiées à un spécialiste dûment formé et qualifié. Voir les instructions à la section Maintenance.

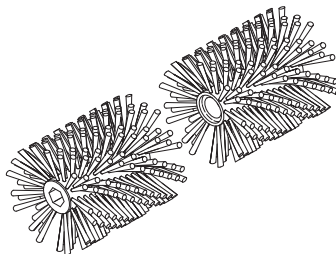
- Ne jamais laisser un enfant utiliser la machine.
- L'utilisateur de la machine doit s'assurer qu'aucune personne ou animal ne s'approche à moins de 15 mètres (50 ft.) pendant le travail.
- Ne jamais laisser d'autres personnes utiliser la machine sans s'être assuré au préalable que ces personnes ont bien compris le contenu du mode d'emploi.

INSTRUCTIONS DE SÉCURITÉ

Consignes de sécurité avant la mise en marche



- Maintenir à distance toutes les personnes non concernées par le travail. Les enfants, les animaux, les spectateurs et les collègues de travail devront se trouver en dehors de la zone de sécurité, soit à au moins 15 mètres (50 ft.). Arrêter immédiatement la machine si une personne s'approche.
- Contrôler toute la machine avant de la mettre en marche. Remplacer les pièces endommagées. S'assurer que le carburant ne fuit pas et que toutes les protections et carters sont complets et correctement fixés. Vérifier toutes les vis et écrous.
- Vérifiez que les rouleaux brosses ne sont pas endommagés et ne présentent aucun signe de fissure ou d'autres dommages.



Démarrage à froid:

- Faites tourner la machine de base pour la réchauffer puis arrêtez-la.
- Montez l'accessoire selon les instructions de montage.
- Lors du réglage du carburateur, assurez-vous que les rouleaux brosses sont maintenus au sol et que personne ne se trouve à proximité.
- Assurez-vous que les rouleaux brosses sont au ralenti.
- Contrôler que la poignée et les dispositifs de sécurité sont en bon état. Ne jamais utiliser une machine dont une pièce est manquante ou ayant été modifiée contrairement aux spécifications.
- Utiliser la machine uniquement pour les travaux auxquels elle est destinée.

Méthodes de travail

IMPORTANT!

Cette section décrit les règles de sécurité pour l'utilisation de la brosse.

Dans l'éventualité d'une situation rendant la suite du travail incertaine, consulter un expert. S'adresser au revendeur ou à l'atelier de réparation.

Évitez les tâches pour lesquelles vous ne vous sentez pas suffisamment qualifié.

Règles élémentaires de sécurité

Bien observer la zone de travail:

- S'assurer qu'aucune personne, aucun animal ou aucun autre facteur ne risque de gêner l'utilisateur de la machine.
 - Assurez-vous qu'aucun des éléments ci-dessus ne risque d'entrer en contact avec le balai ou avec des objets libres projetés.
 - REMARQUE! Ne jamais utiliser une machine s'il n'est pas possible d'appeler au secours en cas d'accident.
- 1 Ne pas travailler par mauvais temps: brouillard épais, pluie diluvienne, vent violent, grand froid, etc. Travailler par mauvais temps est cause de fatigue et peut même être dangereux: sol glissant.
 - 2 S'assurer de pouvoir se tenir et se déplacer en toute sécurité.
 - 3 Arrêter le moteur en cas de décapement.
 - 4 Ne jamais placer la machine sur le sol avec le moteur en marche sans pouvoir la surveiller.

INSTRUCTIONS DE SÉCURITÉ

Techniques de travail de base

- Toujours adopter une position de travail sûre et stable.



- Toujours tenir la machine avec les deux mains. Porter la machine sur le côté du corps.
- Lorsque le moteur est en marche, gardez les mains et les pieds à l'écart de la brosse.
- Lorsque le moteur est coupé, gardez les mains et les pieds à l'écart de la brosse jusqu'à ce qu'elle soit complètement arrêtée.
- Ramener le moteur au régime de ralenti après chaque étape de travail. Laisser le moteur tourner à pleins gaz sans lui faire subir de charge (c'est-à-dire sans la résistance que rencontre le moteur, via l'équipement de coupe, en utilisant la machine) peut endommager sérieusement le moteur.
- En cas de fortes vibrations, arrêter la machine. Débrancher le câble d'allumage de la bougie. Contrôler que la machine n'est pas endommagée. Réparer les dommages éventuels.



AVERTISSEMENT! Faites preuve de prudence à l'égard des projections d'objets. Portez toujours des lunettes de protection. Ne vous penchez jamais sur le rouleau brossier. Des pierres, des débris, etc. peuvent être projetés dans vos yeux, causant la cécité ou des blessures graves. Maintenir à distance toutes les personnes non concernées par le travail. Les enfants, les animaux, les spectateurs et les collègues de travail devront se trouver en dehors de la zone de sécurité, soit à au moins 15 mètres (50 ft.). Arrêter immédiatement la machine si une personne s'approche. L'engrenage peut être très chaud en cours d'utilisation et rester chaud pendant un certain temps après l'utilisation. Vous pourriez être brûlé si vous le touchez.

- Faites tourner la machine à pleins gaz (ou presque pleins gaz), la brosse reposant sur la surface.

NOTE!

Il est à la fois fatigant et inutile de soulever ou de maintenir la brosse au-dessus de la surface de travail.

- Lorsque vous nettoyez des surfaces étroites telles que les chemins, vous pouvez utiliser la machine pour rejeter les matières directement devant vous. Si vous voulez travailler sur les surfaces plus larges, vous pourriez devoir en suivant un angle afin de déposer les débris d'un seul côté. Les débris formés de matières légères peuvent être collectés dans une rangée ou en tas pour être ramassés plus tard, alors que les débris formés de matières dures ou encombrantes peuvent nécessiter plusieurs débaras.



Pour travailler dans les coins, retirez le garde-boue, desserrez le raccord de l'accessoire et faites tourner celui-ci d'un demi-tour.



AVERTISSEMENT! Les ordures seront ensuite rejetées vers l'utilisateur. Lorsque vous utilisez la machine en marche arrière, travaillez à basse vitesse et souvenez-vous qu'il est facile de trébucher sur les matières rejetées.

INSTRUCTIONS DE SÉCURITÉ

- Conservez un angle de travail réduit. Un angle de travail trop grand peut vous faire perdre le contrôle.

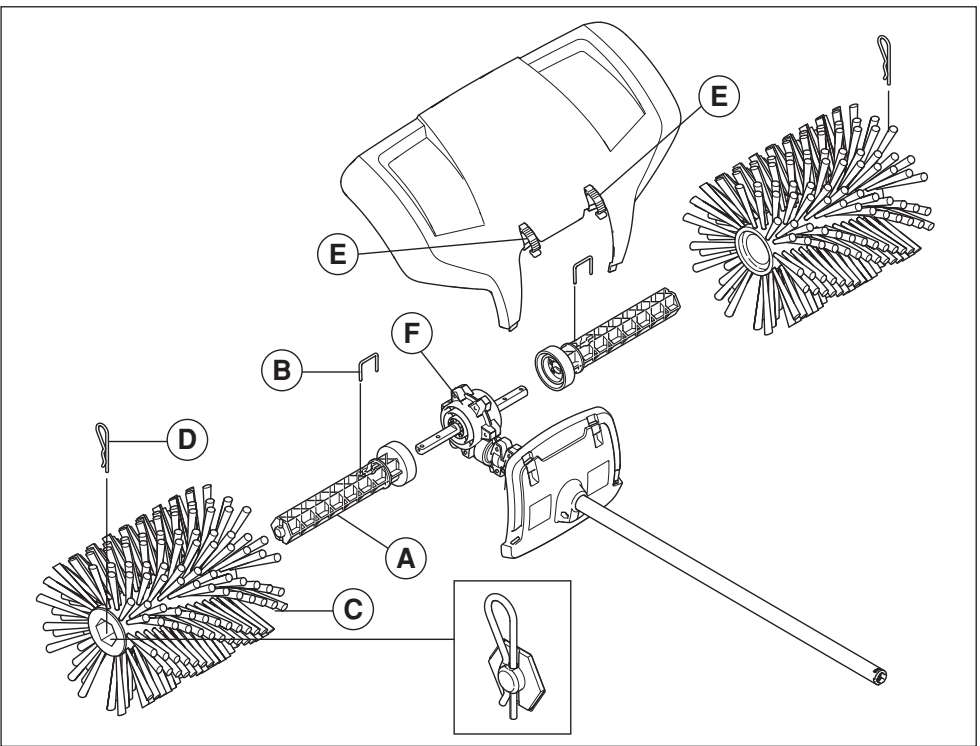


AVERTISSEMENT! Conservez un angle de travail réduit à la surface. Un angle de travail trop grand peut créer une tendance du balai à se déplacer vers vous et vous faire perdre le contrôle de la machine.

Lorsque le balai démarre, les rouleaux brossiers peuvent pivoter. Tenez solidement la machine lors du démarrage. Faites attention aux objets qui peuvent s'accrocher ou être projetés hors des rouleaux brossiers rotatifs.

Bien que les rouleaux brossiers ne soient pas dotés de la même puissance que des lames de tondeuse, par exemple, vous devriez éviter de travailler sur des matières qui peuvent provoquer des blessures personnelles ou des dommages matériels en cas de projection.

MONTAGE



Montage du balai accessoire

- 1 Appuyez sur l'un des arbres de rouleau (A) sur l'un des deux arbres d'entraînement sortants du carter (F). Faites pivoter l'arbre du tambour au besoin, de sorte que le trou de la goupille se trouve en face du trou correspondant dans l'arbre d'entraînement.
- 2 Fixez l'arbre du rouleau au moyen de la goupille de blocage (B).
- 3 Placez l'un des rouleaux à brosse (C) sur l'arbre monté. Appuyez sur le rouleau jusqu'à ce qu'il s'arrête.
- 4 Fixez le rouleau sur l'arbre au moyen d'une goupille d'assemblage (D). Lors du montage, appuyez légèrement sur l'extrémité.
- 5 Répétez ces étapes pour monter l'arbre et le rouleau sur le côté opposé.
- 6 Montez le dispositif de protection contre les projections au moyen des pièces de fixation encliquetables (E).
- 7 Pour le montage des accessoires sur la machine de base, consultez le manuel de référence pour la machine de base.

Schéma d'entretien

Nous donnons ici quelques conseils d'entretien à caractère général. Pour plus d'informations, contacter l'atelier de réparation.

IMPORTANT!

Le balai fonctionne souvent dans des conditions poussiéreuses. Il est extrêmement important d'effectuer l'entretien du filtre à air régulièrement, souvent quotidiennement. Pour fonctionner de façon satisfaisante, le filtre à air doit être graissé.

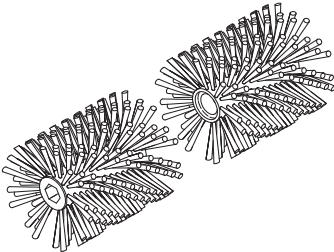
Consultez le manuel de l'opérateur du produit pour connaître les instructions de maintenance.

Entretien quotidien



AVERTISSEMENT! Le carter d'engrenages devient chaud après l'utilisation de la machine. N'y touchez pas vous risqueriez de vous blesser.

- Vérifiez que les rouleaux brosses ne tournent pas au ralenti.



- Vérifiez que les rouleaux brosses ne sont pas endommagés ou fissurés. Remplacez les rouleaux brosses au besoin.
- Si vous devez entreposer la brosse pendant de longues périodes, suspendez-la.

Transport et rangement

- En cas de transport, toujours utiliser les dispositifs de tension agréés et vérifier que la machine est bien attachée.
- Avant de remettre la machine pour une période prolongée, veiller à ce qu'elle soit bien nettoyée et que toutes les mesures d'entretien aient été effectuées.

CARACTÉRISTIQUES TECHNIQUES

Caractéristiques techniques

Caractéristiques techniques

Balai

Largeur du rouleau brossier, mm 23,5/597

Diamètre du rouleau brossier, mm 270

Poids

Poids, lb/kg 12,1/5,5

Niveaux sonores

(voir rem. 1)

Pression acoustique équivalente au niveau des oreilles de l'utilisateur, mesurée selon ISO 22868, dB(A): 96

Vibrations

(voir remarque 2)

Niveaux de vibrations équivalents (a_{hveq}) mesurés au niveau des poignées selon ISO 22867, en m/s^2 .

Poignées avant/arrière: 3,7/6,2

Remarque 1: Mesures effectuées avec les accessoires homologués Husqvarna. Les données reportées pour le niveau de pression sonore équivalent pour la machine montrent une dispersion statistique typique (déviations standard) de 1 dB (A).

Remarque 2: Mesures effectuées avec les accessoires homologués Husqvarna. Les données reportées pour le niveau de vibrations équivalent montrent une dispersion statistique typique (déviations standard) de 1 m/s^2 .

ACLARACION DE LOS SIMBOLOS

Símbolos

¡ATENCIÓN!

Una barredora puede ser una herramienta peligrosa si se utiliza incorrectamente o si se manipula bruscamente, lo que puede causar lesiones graves o mortales al operador u otras personas. Es muy importante que lea y comprenda el contenido de este manual del usuario.



Lea detenidamente el manual de instrucciones y asegúrese de entender su contenido antes de utilizar la máquina.



Utilice siempre:

- Casco protector cuando exista el riesgo de objetos que caen
- Protectores auriculares homologados
- Protección ocular homologada
- Utilizar mascarilla respiratoria si hay riesgo de que se levante polvo.



Durante el trabajo, el usuario de la máquina debe procurar que ninguna persona o animal se acerque a más de 15 metros (50 ft.) de la máquina.



Utilice siempre guantes protectores homologados.



Utilice botas antideslizantes y seguras.



Mantenga todas las partes del cuerpo lejos de las superficies calientes.



Advertencia: piezas giratorias. Mantenga alejados las manos y los pies.

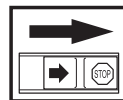


Cuidado con los objetos lanzados o rebotados.

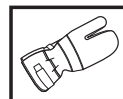


Los demás símbolos/etiquetas que aparecen en la máquina corresponden a requisitos de homologación específicos en determinados mercados.

El motor se para poniendo el contacto de parada en la posición de parada. ¡NOTA! El contacto de parada retorna automáticamente a la posición de arranque. Por consiguiente, antes de realizar trabajos de montaje, control y/o mantenimiento se debe quitar el capuchón de encendido de la bujía para evitar el arranque imprevisto.



Utilice siempre guantes protectores homologados.



Control visual.



Índice

ACLARACION DE LOS SIMBOLOS

Símbolos 265

INDICE

Índice 266

Antes de arrancar, observe lo siguiente: 266

¿QUE ES QUE?

¿Qué es cada elemento de la barredora? 267

INSTRUCCIONES DE SEGURIDAD

Equipo de seguridad de la máquina 268

Equipo de protección personal 268

Instrucciones generales de seguridad 269

Instrucciones generales de trabajo 270

MONTAJE

Montaje del accesorio de la barredora 272

MANTENIMIENTO

Programa de mantenimiento 273

DATOS TECNICOS

Datos técnicos 274

Antes de arrancar, observe lo siguiente:

Lea detenidamente el manual de instrucciones y asegúrese de entender su contenido antes de utilizar la máquina.

Estas instrucciones son complemento del manual que se adjunta a la máquina. Para más información sobre el manejo, consultar el manual de la máquina.

Husqvarna AB trabaja constantemente para perfeccionar sus productos y se reserva, por lo tanto, el derecho a introducir modificaciones en la construcción y el diseño sin previo aviso.

La exposición prolongada al ruido puede causar daños crónicos en el oído. Por consiguiente, use siempre protectores auriculares homologados.



¡ATENCIÓN! Bajo ninguna circunstancia debe modificarse la configuración original de la máquina sin autorización del fabricante. Utilizar siempre recambios originales. Las modificaciones y/o la utilización de accesorios no autorizadas pueden ocasionar accidentes graves o incluso la muerte del operador o de terceros.

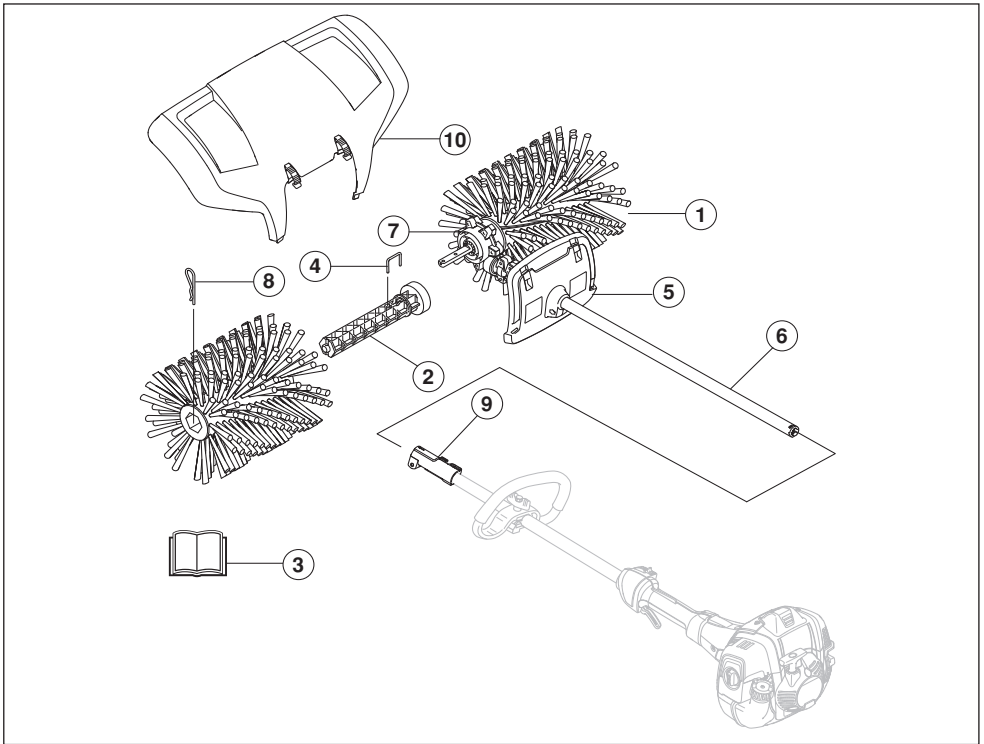
Su garantía podría no abarcar daños o responsabilidades causados por el uso de accesorios o piezas de repuesto no autorizados.



¡ATENCIÓN! Este accesorio solo puede utilizarse en conjunto con el cepillo de la cortadora/recortadora indicado, consulte bajo el título 'Accesorios homologados' en el capítulo Datos técnicos del Manual del usuario de la máquina.

La máquina está diseñada únicamente para caminos emparejados, carreteras de asfalto y otras superficies similares.

¿QUE ES QUE?



¿Qué es cada elemento de la barredora?

- | | |
|-------------------------------------|---|
| 1 Tambor de cepillos | 6 Tubo |
| 2 Eje del tambor | 7 Caja de engranajes |
| 3 Manual de instrucciones | 8 Pasador de aletas |
| 4 Pasador de bloqueo | 9 Acoplamiento del tubo (Pertenece a la máquina básica) |
| 5 Protección (Protección en el eje) | 10 Protección contra salpicaduras |

INSTRUCCIONES DE SEGURIDAD

Equipo de seguridad de la máquina

En este capítulo se describen los componentes de seguridad de la máquina, su función y el modo de efectuar el control y el mantenimiento para garantizar un funcionamiento óptimo. En cuanto a la ubicación de estos componentes en su máquina, vea el capítulo ¿Qué es qué?.

La vida útil de la máquina puede acortarse y el riesgo de accidentes puede aumentar si el mantenimiento de la máquina no se hace de forma adecuada y si los trabajos de servicio y/o reparación no se efectúan de forma profesional. Para más información, consulte con el taller de servicio oficial más cercano.



¡ATENCIÓN! Nunca utilice una máquina que tenga un equipo de seguridad defectuoso. Efectúe el control y mantenimiento del equipo de seguridad de la máquina como se describió en este capítulo. Si su máquina no pasa todos los controles, entréguela a un taller de servicio para su reparación.



¡ATENCIÓN! Siempre detenga el motor antes de realizar alguna tarea en cualquier parte del accesorio. Podría seguir en movimiento, aun cuando se suelta el acelerador. Asegúrese de que el accesorio esté completamente detenido y desconecte los cables de alta tensión de la bujía antes de comenzar a realizar tareas en el accesorio.

Equipo de protección personal



¡ATENCIÓN! Para trabajar con la máquina debe utilizarse un equipo de protección personal homologado. El equipo de protección personal no elimina el riesgo de lesiones, pero reduce su efecto en caso de accidente. Pida a su distribuidor que le asesore en la elección del equipo. Lea detenidamente el manual de instrucciones y asegúrese de entender su contenido antes de utilizar la máquina.



¡ATENCIÓN! Cuando use protección auditiva preste siempre atención a las señales o llamados de advertencia. Sáquese siempre la protección auditiva inmediatamente después de parar el motor.

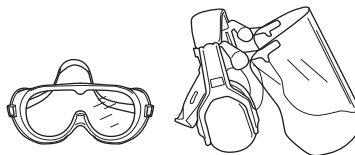
- Se deben utilizar guantes cuando sea necesario.



- Se debe utilizar protección auditiva con suficiente capacidad de reducción sonora.



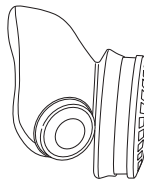
- Se debe utilizar siempre protección ocular homologada. Si se utiliza visor, deben utilizarse también gafas protectoras homologadas. Por gafas protectoras homologadas se entienden las que cumplen con la norma ANSI Z87.1 para EE.UU. o EN 166 para países de la UE. El impacto de ramas y objetos despedidos puede causar heridas en los ojos.



- Utilice botas antideslizantes y seguras.



- Siempre use pantalones largos, botas, guantes y una camisa mangas largas gruesos. Para reducir el riesgo de lesiones asociadas al arrastre de objetos hacia las piezas giratorias, no use ropa, bufandas, joyas, etc. sueltas. Fíjese el cabello de manera que este se mantenga por sobre del nivel de los hombros.
- Utilizar mascarilla respiratoria si hay riesgo de que se levante polvo.



INSTRUCCIONES DE SEGURIDAD

- Tenga siempre a mano el equipo de primeros auxilios.



Instrucciones generales de seguridad

¡IMPORTANTE!

Utilice la máquina solamente para el uso al que está destinada. La máquina está diseñada únicamente para caminos emparejados, carreteras de asfalto y otras superficies similares.

Nunca utilice la máquina si está cansado, si ha ingerido alcohol o si toma medicamentos que puedan afectarle la vista, su capacidad de discernimiento o el control del cuerpo.

Use el equipo de protección personal recomendado en el manual de la máquina básica. Pida ayuda a su distribuidor para elegir los equipos de protección.

No utilice nunca una máquina que haya sido modificada de modo que ya no coincida con la configuración original.

Nunca utilice la máquina en condiciones atmosféricas extremas como frío intenso o clima muy caluroso y/o húmedo.

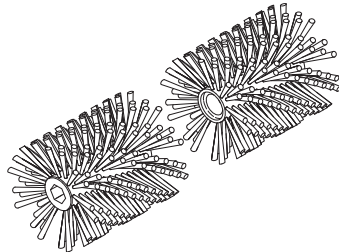
No utilice nunca una máquina defectuosa. Lleve a cabo las comprobaciones de seguridad y siga las instrucciones de mantenimiento y servicio de este manual. Algunas medidas de mantenimiento y servicio deben ser efectuadas por especialistas formados y cualificados. Consulte las instrucciones del apartado Mantenimiento.

- No permita nunca que los niños utilicen la máquina.
- Durante el trabajo, el usuario de la máquina debe procurar que ninguna persona o animal se acerque a más de 15 metros (50 ft.) de la máquina.
- Nunca deje que terceros utilicen la máquina sin asegurarse primero de que hayan entendido el contenido de este manual de instrucciones.

Instrucciones de seguridad antes de comenzar el trabajo



- Mantenga alejados a los terceros. Los niños, animales, curiosos y ayudantes deben mantenerse fuera de la zona de seguridad de 15 metros (50 ft.). Pare la máquina inmediatamente si alguien se acerca.
- Revise toda la máquina antes de comenzar. Cambie las piezas dañadas. Compruebe que no haya fugas de combustible y que todos los protectores y las cubiertas estén completos y que se hayan sujetado firmemente. Inspeccione todas las tuercas y tornillos.
- Compruebe que los tambores de cepillos no estén dañados y no muestren indicios de grietas u otros daños.



Cuando arranque en frío:

- Haga funcionar la máquina básica hasta que se caliente y, a continuación, apáguela.
- Arme el accesorio según las instrucciones de montaje.
- Cuando ajuste el carburador, asegúrese de que los tambores de cepillos estén contra el suelo y que no haya nadie cerca.
- Asegúrese de que los tambores de cepillos estén en ralenti.
- Controle que los mangos y las funciones de seguridad estén en buenas condiciones. No utilice nunca una máquina que carece de una pieza o que ha sido modificada fuera de las especificaciones.
- Utilice la máquina solamente para el uso al que está destinada.

INSTRUCCIONES DE SEGURIDAD

Instrucciones generales de trabajo

¡IMPORTANTE!

Esta sección describe las normas de seguridad básicas para el uso del cepillo.

Cuando se vea en una situación insegura para continuar el trabajo, debe consultar a un experto. Póngase en contacto con su distribuidor o taller de servicio.

Evite todo uso para el cual no se sienta suficientemente calificado.

Reglas básicas de seguridad

Observe el entorno para:

- Comprobar que no hayan personas, animales, etc., que puedan influir en su control de la máquina.
 - Para asegurarse de que ninguna de las opciones anteriores entren en contacto con la barredora o que salgan disparados objetos sueltos.
 - ¡NOTA! No use nunca una máquina si no tiene posibilidad de pedir auxilio si se produce un accidente.
- 1 No trabaje en condiciones atmosféricas desfavorables como niebla, lluvia intensa, tempestad, frío intenso, etc. El trabajo con mal tiempo es fatigoso y puede crear circunstancias peligrosas, como terreno resbaladizo.
 - 2 Compruebe que pueda caminar y mantenerse de pie con seguridad.
 - 3 Para desplazar la máquina debe pararse el motor.
 - 4 No apoye nunca la máquina con el motor en marcha sin tenerla bajo control.

Técnica básica de trabajo

- Cerciórese siempre de tener una posición de trabajo segura y firme.



- Utilice siempre las dos manos para sostener la máquina. Mantenga la máquina al costado de su cuerpo.
- Asegúrese de que las manos y los pies no se acerquen a la barredora cuando el motor esté en funcionamiento.
- Cuando apague el motor, mantenga las manos y los pies alejados del cepillo hasta que se haya detenido completamente.
- Después de cada momento de trabajo reduzca siempre la velocidad del motor a ralentí. Un tiempo demasiado largo a máxima velocidad sin que el motor esté cargado (es decir sin la resistencia que el motor recibe a través del equipo de corte al trabajar con la máquina) puede averiar seriamente el motor.
- Si se producen vibraciones excesivas, detenga la máquina. Desconecte el cable de alta tensión de la bujía. Compruebe que la máquina no esté dañada. Repare cualquier daño.



¡ATENCIÓN! Esté atento a que no salgan objetos despedidos. Siempre utilice protección ocular. Nunca se incline sobre el tambor de cepillos. Es posible que las piedras, residuos, etc. salgan despedidos en dirección a los ojos y le causen ceguera o lesiones graves. Mantenga alejados a los terceros. Los niños, animales, curiosos y ayudantes deben mantenerse fuera de la zona de seguridad de 15 metros (50 ft.). Pare la máquina inmediatamente si alguien se acerca. El engranaje puede calentarse durante el uso y es posible que permanezca caliente por un largo tiempo. Si lo toca, puede quemarse.

- Use la máquina con la cantidad total de gas (o casi llena de gas) con el cepillo apoyado sobre la superficie.

INSTRUCCIONES DE SEGURIDAD

NOTE!

Resulta tanto agotador como innecesario levantar o mantener el cepillo elevado de la superficie durante el trabajo.

- Cuando limpie superficies angostas, como caminos, puede usar la máquina de manera que los materiales salgan despedidos hacia adelante. Si desea realizar tareas en superficies más amplias, es posible que deba trabajar en un ángulo tal que se formen las hebras a un costado. Las hebras formadas por materiales livianos se pueden acomodar en una fila o pila para su posterior extracción, mientras que los materiales más pesados o grandes se deben recolectar en varias hebras.



Para llegar a las esquinas, quite el protector contra salpicaduras, afloje el acoplamiento del accesorio y gire el accesorio una media vuelta.



¡ATENCIÓN! Luego, se expulsarán los residuos en dirección al usuario. Use una velocidad menor cuando opere la máquina marcha atrás y no olvide que es fácil tropezarse con los materiales que se desprenden.

- Mantenga un pequeño ángulo de funcionamiento. Un ángulo de funcionamiento demasiado grande puede hacerle perder el control.

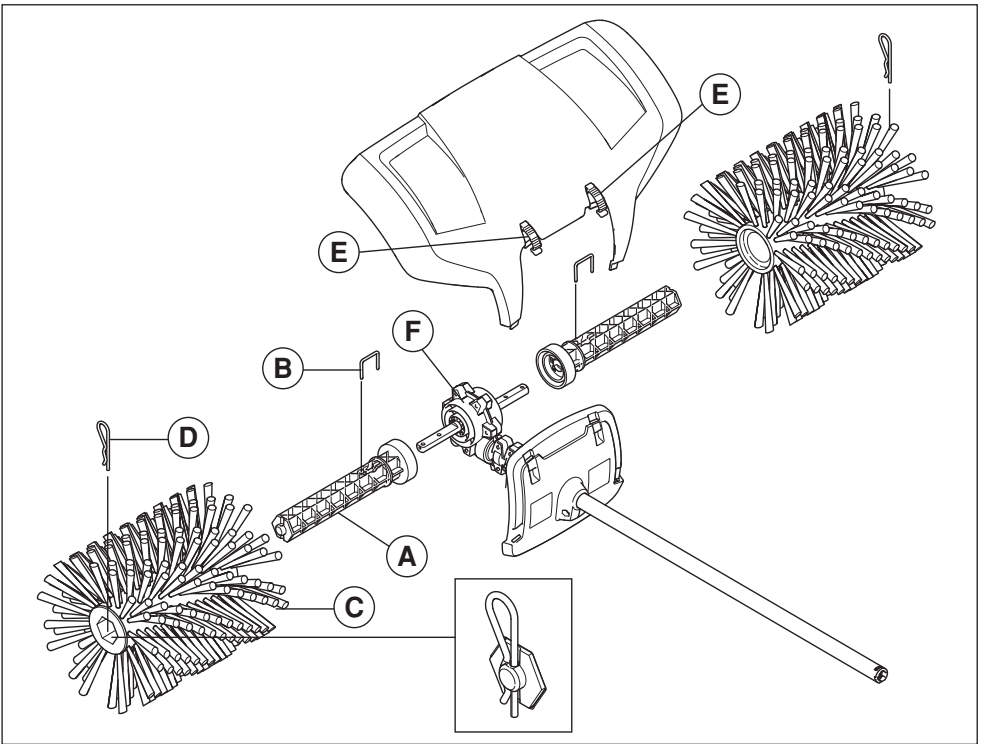


¡ATENCIÓN! Mantenga un pequeño ángulo de funcionamiento respecto de la superficie. Un ángulo de funcionamiento demasiado grande puede hacer que la barredora se mueva en dirección a usted y que pierda el control de la máquina.

Los tambores de cepillos pueden girar cuando se pone en marcha la barredora. Sujete la máquina firmemente al arrancar. Observe los objetos que puedan atascarse en los tambores de cepillos giratorios o que puedan salir despedidos de estos.

A pesar de que los tambores de cepillos no tienen la misma fuerza que las cuchillas de las cortadoras de césped, por ejemplo, debe evitar trabajar con materiales que puedan provocar lesiones personales o daños materiales en caso de que salgan despedidos de la máquina.

MONTAJE



Montaje del accesorio de la barredora

- 1 Presione uno de los ejes del tambor (A) sobre uno de los dos ejes de mando de salida de la caja de engranajes (F). Gire el eje del tambor si es necesario para que el orificio del pasador se superponga al orificio correspondiente en el eje propulsor.
- 2 Ajuste el eje del rodillo con el pasador de bloqueo (B).
- 3 Coloque uno de los rodillos de cepillos (C) en el eje montado. Presione el rodillo hasta que se detenga.
- 4 Sujete el rodillo en el eje con una chaveta hendida (D). Presione el extremo ligeramente durante el proceso de montaje.
- 5 Repita estos pasos para montar el eje y el rodillo en el lado opuesto.
- 6 Coloque la chapa deflectora con los sujetadores a presión (E).
- 7 Para montar los accesorios en la máquina básica, consulte el manual de la máquina básica.

Programa de mantenimiento

A continuación, se indican algunas instrucciones generales de mantenimiento. Si Ud. necesita mayor información póngase en contacto con el taller de servicio.

¡IMPORTANTE!

Generalmente, la barredora se usa en condiciones polvorientas. Es muy importante realizar tareas de mantenimiento en el filtro de aire regularmente y, a menudo, a diario. Para que funcione correctamente, debe engrasar el filtro de aire siempre que corresponda.

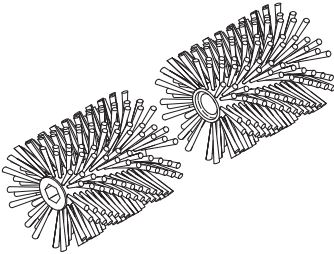
Consulte el manual del usuario del producto para obtener instrucciones de mantenimiento.

Mantenimiento diario



¡ATENCIÓN! La caja de engranajes se calienta cuando se utiliza la máquina. Para evitar quemaduras, no toque la caja de engranajes.

- Verifique que los tambores de cepillos no giren en ralenti.



- Compruebe que los tambores de cepillos no estén dañados o agrietados. Reemplace los tambores de cepillos si es necesario.
- Cuelgue el cepillo cuando esté almacenado durante largos períodos.

Transporte y almacenamiento

- Para transportar la máquina utilice siempre dispositivos de sujeción aprobados y asegúrese de que la máquina esté bien anclada.
- Antes del almacenaje prolongado, limpie bien la máquina y haga el servicio completo.

DATOS TECNICOS

Datos técnicos

Datos técnicos

Barredora

Ancho del tambor de cepillos, mm	23,5/597
Diámetro del tambor de cepillos, mm	270

Peso

Peso, lb/kg	5,5
-------------	-----

Niveles acústicos

(ver la nota 1)

Nivel de presión sonora equivalente en la oreja del usuario, medido según ISO 22868, dB(A):	96
---	----

Vibraciones

(vea la nota 2)

Niveles de vibración equivalentes ($a_{hv,eq}$) en las empuñaduras, medidos según la norma ISO 22867, m/s^2 .

Mango delantero/trasero:	3,7/6,2
--------------------------	---------

Nota 1: Mediciones hechas con los accesorios homologados de Husqvarna. Los datos referidos del nivel de presión sonora equivalente de la máquina tienen una dispersión estadística habitual (desviación típica) de 1 dB (A).

Nota 2: Mediciones hechas con los accesorios homologados de Husqvarna. Los datos referidos del nivel de vibración equivalente poseen una dispersión estadística habitual (desviación típica) de 1 m/s^2 . (Presentante autorizado de Husqvarna AB y responsable de la documentación técnica.)

符号说明

符号

警告！

如果使用不当或粗心大意，清扫刷可能会成为危险的工具，对操作者或他人造成严重或致命伤害。阅读并且理解本《操作手册》的内容极其重要。



请认真阅读本操作手册，确保在充分理解各项说明之后再使用机器。



请务必配戴：

- 保护头盔（在有物体掉落风险的情况下）
- 经检验合格的听觉保护设备
- 经检验合格的眼部保护设备
- 多尘条件下应使用通气口罩。



本产品符合适用的 EC 指令的要求。



机器操作员必须确保作业过程中 15 米范围内无任何人员或动物。



务必戴上检验合格的保护手套。



穿上坚固的防滑靴。



使您的身体各部位远离高温表面。



警告：回转部件。确保四肢远离机器。箭头指示了旋转方向。



注意抛掷物和反弹物。

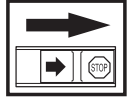


在环境中的噪音释放符合欧盟指令。本机的噪音释放在“技术资料”一章和产品标签上有详细说明。

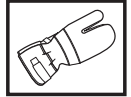


有关机器上的其他符号/标识，请参考适用于特定市场的特殊认证要求。

将停止开关拨至停止位置，关闭引擎。小心！停止开关自动返回至启动位置。为了防止意外启动，在组装、检查与/或进行维护时必须拆下火花塞上的火花塞帽。



务必戴上检验合格的保护手套。



视检。



目录

符号说明	
符号	2
目录	
目录	3
启动前应注意以下事项:	3
构造图示说明	
清扫刷图示说明	4
安全须知	
机器安全设备	5
安全须知	
个人防护装备	6
一般安全须知	6
一般工作须知	7
组装	
安装清扫刷附件	9
维护	
维护计划	10
技术参数	
技术参数	11
欧盟一致性声明	11

启动前应注意以下事项:

请认真阅读本操作手册，确保在充分理解各项说明之后再使用机器。

这些说明是对机器随附说明文件的补遗文件。如需了解其他步骤，请参考机器的操作说明。

连续开发产品是 Husqvarna AB 的政策，因此拥有保留修改产品设计和外观的权利，而无需事先通知。

长期接触噪音会导致永久性听力损伤。因此，请务必佩戴检验合格的听觉保护设备。



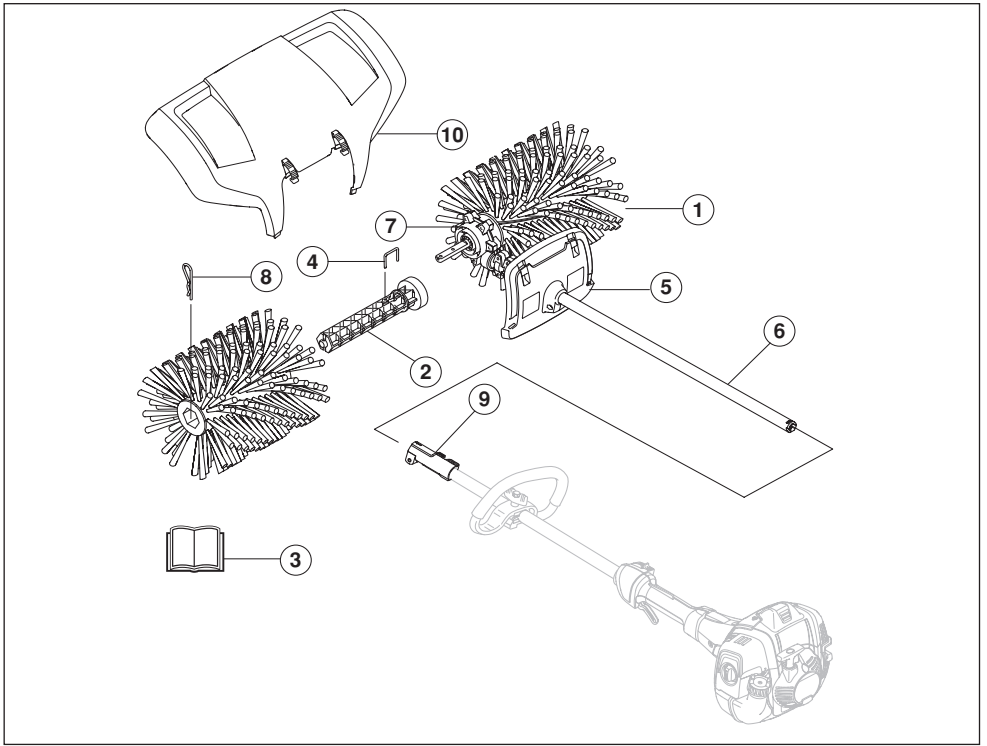
警告！任何情况下，未经制造厂的许可，不得修改本机的设计。必须使用原厂零件。未经许可擅自修改，或使用未经认可的零件，可能会对操作员或其他人员造成严重的伤害或死亡。



警告！本附件只能用于特定割灌机/打草机，详情请参阅机器《操作手册》“技术资料”一章中，标题为“经认可附件”部分的内容。

本机仅适用于清扫小路、沥青道路和类似区域。

构造图示说明



清扫刷图示说明

- | | |
|--------------|-------------|
| 1 刷鼓 | 6 刀轴 |
| 2 刷鼓轴 | 7 齿轮箱 |
| 3 操作手册 | 8 开口销 |
| 4 锁紧销 | 9 联轴节（属于主机） |
| 5 防护罩（保护驱动轴） | 10 防溅罩 |

机器安全设备

本节介绍机器的安全装备及其用途，并说明如何进行检查和维修，以确保机器正常运转。请参阅《构造图示说明》部分，以找到该安全设备在机器上的正确位置。

如果机器维护不当或由非专业人士进行保养和/或维修，机器的使用寿命会缩短，发生意外的风险会增加。欲知更多详情，请与最近的保养厂联络。



警告！不得使用安全设备存在故障的机器。机器的安全设备必须按照本节说明进行检查和维护。如果您的机器未通过这些检查中的任何一项，请联系您的保养厂对其进行维修。



警告！操作附件的任何部分之前，务必先关闭引擎。即使释放油门以后，设备仍会继续转动。在开始操作之前，要确保附件已完全停止并断开火花塞上的 HT 导线。

安全须知

个人防护装备



警告！使用本机时，一定要使用经过批准的个人防护装备。个人防护装备不能避免受伤，但当意外发生时，可降低伤害程度。选择防护装备时，请问经销商查询。请认真阅读本操作手册，确保在充分理解各项说明之后再使用机器。

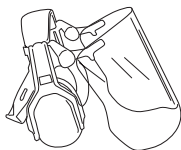


警告！戴有听觉保护设备时，请留意警告信号或呼喊声。一旦引擎停机，便取下听觉保护设备。

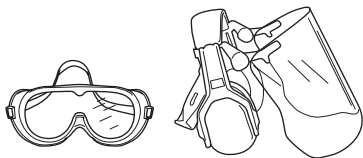
- 应在必要时佩戴手套。



- 佩带听觉保护设备，尽量降低噪音。



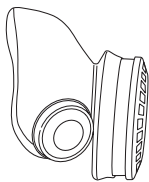
- 始终佩戴经检验合格的眼部保护设备。如果使用面罩，必须同时配戴经检验合格的护目镜。在美国，经检验合格的护目镜必须符合 ANSI Z87.1 标准；在欧盟国家/地区，必须符合 EN 166。眼睛可能会被抛出的树枝或物体击打而受到损伤。



- 穿上坚固的防滑靴。



- 务必穿戴结实的长裤、靴子、手套和长袖衬衫。为了减少物体被吸入回转部件所带来的受伤风险，请勿穿着宽松衣服、佩戴围巾、珠宝等。固定住头发使其位于肩部上方。
- 多尘条件下应使用通气口罩。



- 附近应有急救箱。



一般安全须知

重要事项！

仅将机器用于指定的用途。本机仅适用于清扫小路、沥青道路和类似区域。

感到疲劳、曾经饮酒，或曾服用影响视力、判断力或协调能力的药物时，请勿操作本机。

使用主机手册中推荐的个人防护装备。选择正确防护装备时，请问经销商查询。

绝不能使用曾对原规格进行任何改动的机器。

切勿在极端天气条件下使用本机，如严寒、酷热和/或潮湿气候条件下。

禁止使用有故障的机器。按照本手册中的说明进行安全检查、维护和保养。部分维护和保养措施必须由受过培训并有相应资质的专家进行。请参阅《维护》篇中的说明。

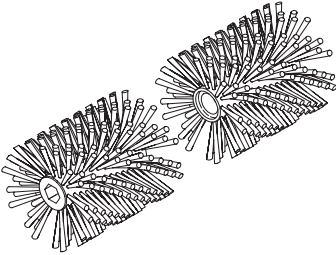
- 严禁儿童使用机器。
- 机器操作员必须确保作业过程中 15 米范围内无任何人员或动物。
- 在事先未确定其他人是否阅读和了解了本操作手册的内容之前，禁止其使用本机。

安全须知

开始作业前的安全须知



- 未经授权的人员不得靠近。保持儿童、动物、旁观者和帮忙者在 15 米安全区以外。如有人靠近，立即停止机器。
- 开始工作前，先检查整机。更换损坏的部件。检查并确保没有漏油，所有防护罩和盖板均完好且已牢固固定。检查所有螺母和螺丝。
- 检查并确保刷鼓没有损坏且没有任何裂痕或其他损坏的迹象。



冷启动时：

- 运行主机预热，然后关闭机器。
- 按照安装指导安装附件。
- 调节化油器时，确保将刷鼓抵靠在地上且附近没有其他人。
- 确保刷鼓怠速运行。
- 确保手柄和安全功能正常工作。切勿使用缺少零件或者超规格改动的机器。
- 仅将机器用于指定的用途。

一般工作须知

重要事项！

本节介绍使用清扫刷时的基本安全守则。

当您遇到任何情况，不知如何继续时，请咨询专家。与您的经销商或保养厂联系。

避免任何超出您能力范围的使用。

基本安全守则

环顾四周：

- 确定没有人、动物或其他物品会影响到您操控动力切割机。
 - 确保以上各项均没有接触清扫刷的风险或没有被抛出的松散物。
 - 小心！如果发生事故时无法求救，请勿使用本机。
- 1 避免在不良的天气情况下使用本机。例如：浓雾、暴雨、强风、严寒等。在天气不佳的情况下工作容易让人疲倦，往往会带来额外风险，例如湿滑的地面。
 - 2 确保您可以安全地移动与站立。
 - 3 移动设备前，必须先关闭引擎。
 - 4 切勿在引擎运转的情况下放下机器，除非是放在您可以清楚看到的位置。

基本工作技巧

- 确保您的工作位置安全、稳定。



- 务必用双手握住机器。从与身体同一侧的方向握住机器。
- 确保在引擎运转期间，四肢不要靠近清扫刷。
- 在马达关闭之后，直至其完全停止之前，四肢都不要靠近清扫刷。
- 每个工作冲程之后请务必将引擎速度降至空转速度。引擎空载且油门全开地长时间运转（即在使用机器时，引擎未承受受到切割锯片施加的阻力）会严重损坏引擎。

安全须知

- 如果发生剧烈振动，则停止机器。断开 HT 导线与火花塞的连接。检查并确认机器未受损。维修所有受损部分。



警告！注意抛掷物。始终佩戴眼部保护设备。切勿翻转刷鼓。石头、垃圾等会抛入眼中，导致失明或严重伤害。未经授权的人员不得靠近。保持儿童、动物、旁观者和帮忙者在 15 米安全区以外。如有人靠近，立即停止机器。使用过程中，齿轮可能会发热，并在之后一段时间仍有余热。触摸可能会烧伤。

- 将清扫刷放在地面上，以全油门（或接近全油门）运行机器。

注意！

作业时提起清扫刷或使其离开地面，既会使人疲劳又没有必要。

- 用机器清扫小路等狭窄表面时，可能会正对着您抛出材料。如果要清扫更宽的表面，则可能需要倾斜作业，以使清扫物在一侧形成缕。轻质材料组成的缕可以汇集成一行或一堆，便于之后清除，而硬质或更重的材料则可能需要汇集成数缕。



清扫角落时，可拆下防溅罩并拧松附件联轴器，将附件旋转半圈。



警告！垃圾会向操作者方向抛回。反向操作机器时要使用较低的转速，请记住，这很容易使抛出的材料翻转过来。

- 保持较小的作业角度。作业角度过大可能会导致机器失控。

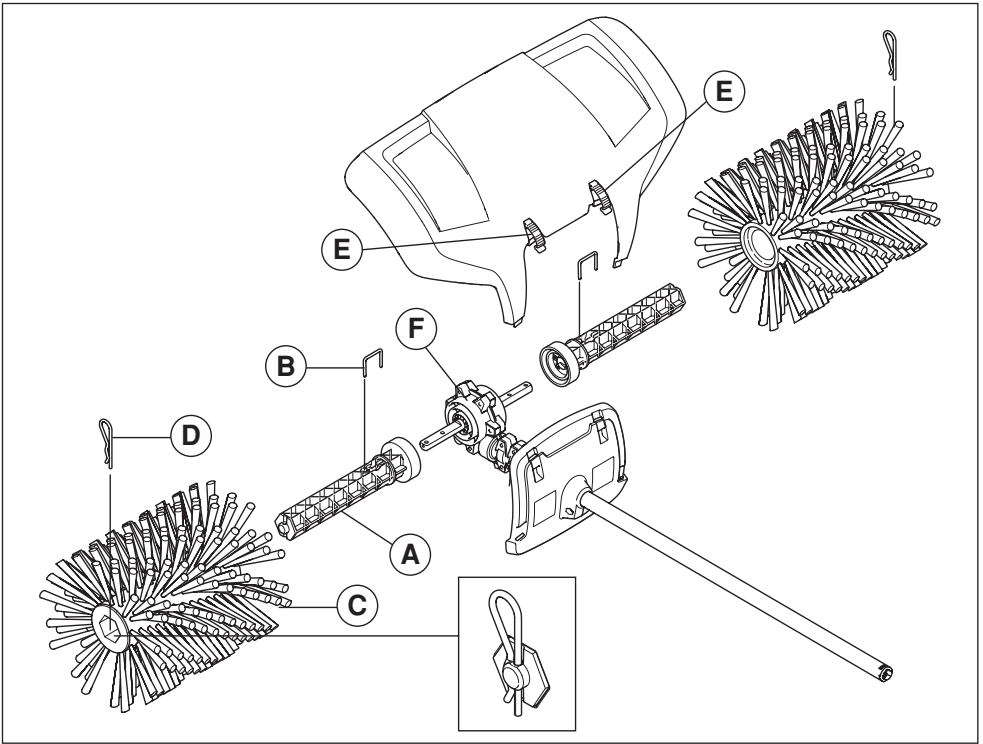


警告！作业时与地面保持小角度。如果作业角度过大，清扫刷容易朝您移动，可能会失控。

清扫刷启动后，刷鼓会旋转。启动时，紧紧握住机器。谨防物体可能会卷入旋转的刷鼓中或从其中抛出。

例如，尽管刷鼓没有草坪机锯片的作用力厉害，您也应当避免接触被抛出的材料，以免造成人身伤害或财物损坏。

安装



安装清扫刷附件

- 1 将任一刷鼓轴 (A) 按压在齿轮箱 (F) 处任一输出驱动轴 (共两个) 上。必要时旋转刷鼓轴, 以使销孔与驱动轴中相应的孔对准。
- 2 用锁定销 (B) 紧固滚筒轴。
- 3 将其中一个清扫刷滚筒 (C) 放到轴总成上。按入滚筒, 直到其停止移动。
- 4 用开口销 (D) 将滚筒紧固在轴上。安装时, 将该端稍稍推入。
- 5 重复上述步骤, 在另外一侧安装轴和滚筒。
- 6 用扣合式紧固件 (E) 安装防溅罩。
- 7 有关在主机上安装附件的信息, 请参阅主机手册。

维护计划

以下是部分一般维修说明。欲知更多详情，请与保养厂联络。

重要事项！

清扫刷经常是在多灰尘的环境下完成作业。对空气滤清器定期（通常是每天）维护极为重要。要使空气滤清器达到最佳效果，必须对其润滑。

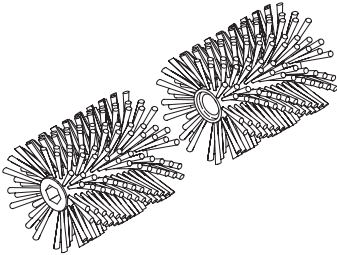
有关维护说明，请参阅本产品操作手册。

日常保养



警告！机器在使用过程中，齿轮箱的温度会非常高。切勿触摸齿轮箱，以防烫伤。

- 检查并确保刷鼓在怠速状态下不转动。



- 检查并确保刷鼓没有损坏或裂痕。必要时更换刷鼓。
- 长期存放时，可将清扫刷挂起来。

运输及存放

- 如果用其他车辆运输本机，务必使用经认可的固定装置并确保牢固固定机器。
- 在长时间存放之前，确保清洁机器并且进行全面保养。

技术参数

技术参数

技术参数

清扫刷	BR600
刷鼓宽度 (mm)	597
刷鼓直径 (mm)	270
重量	
重量 (kg)	5.5
噪声排放	
(参阅注释 1)	
声能级, 测量值 dB(A)	105
声能级, 保证值 L_{WA} dB(A)	109
声级	
(参阅注释 2)	
操作员耳旁的等效声压级根据 EN ISO 22868 测量得出, 单位为 dB(A):	96
振动	
(参阅注释 3)	
手柄的振动水平 ($a_{hv,eq}$) 根据 EN ISO 22867 测量得出, 单位为 m/s^2	
前/后手柄:	3.7/6.2

注释 1: 与 Husqvarna 认可附件一起测量。环境噪音释放按照欧盟指令 2000/14/EC 规定的声能 (L_{WA}) 进行测量。报告给出的机器声功率级是按照原装切割锯片的最高噪声级别测量得出的。保证声功率与测定声功率之间存在差异, 在于保证声功率按照 2000/14/EC 指令的要求还包含了测量结果中的离差以及相同型号不同机器之间的偏差。

注释 2: 与 Husqvarna 认可附件一起测量。本机的等效声压级的报告数据具有一个 1 dB(A) 的典型统计离差 (标准偏差)。

注释 3: 与 Husqvarna 认可附件一起测量。等效振级的报告数据中具有一个 $1 m/s^2$ 的典型统计离差 (标准偏差)。

欧盟一致性声明 (仅适用于欧洲)

Husqvarna AB (SE-561 82 Huskvarna, Sweden, tel +46-36-146500) 谨此声明: 清扫刷附件 **Husqvarna BR600/ Jonsered BR600** 符合以下欧盟指令:

- 2006 年 5 月 17 日“关于机械”的法令 **2006/42/EC**。

适用标准如下: **SS-EN ISO 12100:2010**

SMP Svensk Maskinprovning AB (地址: 7035, SE-750 07 Uppsala, Sweden) 已代表 Husqvarna AB 进行了自愿性类型检验。

本附件仅能与既定用途的割灌机/打草机配合使用, 详情请参阅机器《操作手册》“技术资料”一章标题为“经过批准认证的附件”部分的内容。证书编号为: **SEC/15/2412 - BR600**

Husqvarna 2015 年 2 月 18 日



Per Gustafsson, 开发经理 (Husqvarna AB 授权代表, 负责技术文档编制事务。)

**Original instructions
Bruksanvisning i original
Originale instruktioner
Originale instruksjoner
Alkuperäiset ohjeet
Originalanweisungen
Instructions d'origine
Originele instructies
Instrucciones originales
Instruções originais
Istruzioni originali
Originaaljuhend
Instrukcijas oriģinālvalodā**

**Originalios instrukcijos
Původní pokyny
Pôvodné pokyny
Instrukcja oryginalna
Eredeti útmutatás
Izvirna navodila
Instrucțiuni inițiale
Orijinal talimatlar
Оригинальные инструкции
Αρχικές οδηγίες
Original instructions
Instructions d'origine
Instrucciones originales
原始說明**

1156880-38



2016-06-15