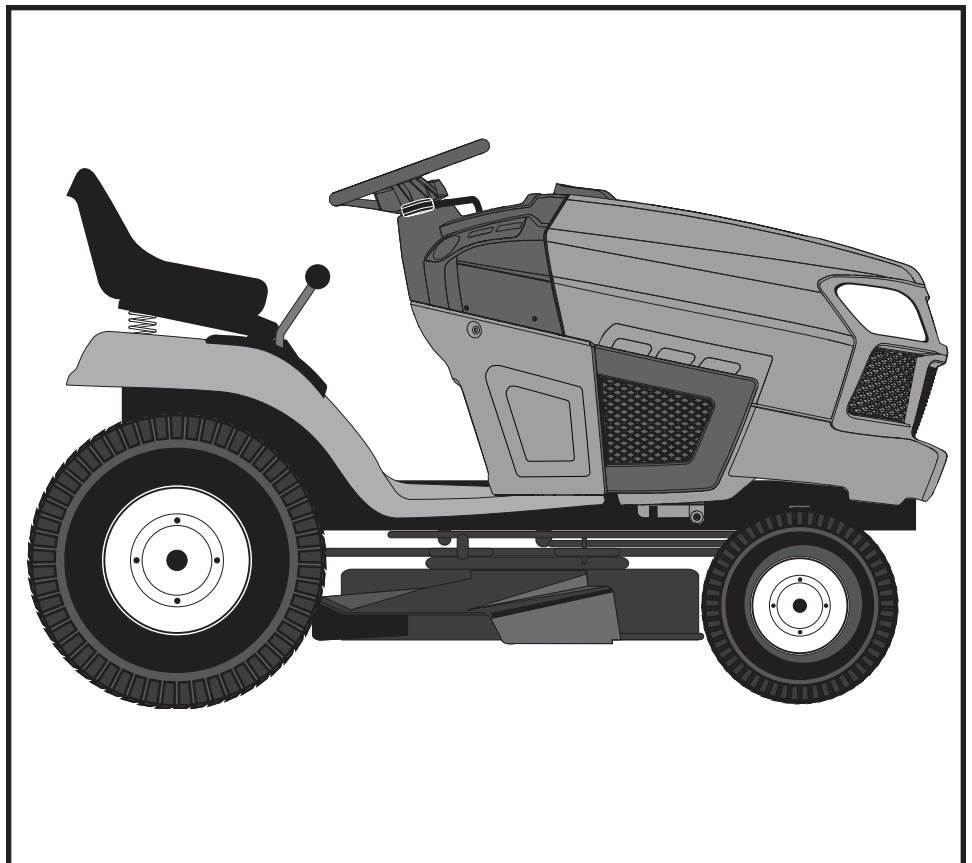


SEARS
OPERATOR'S
MANUAL

MODEL NO.
944.60426

IMPORTANT:
Read and follow
all Safety Rules
and Instructions
Before Operating
This Equipment



CRAFTSMAN®

20.0 HP*
ELECTRIC START
42" MOWER
AUTOMATIC TRANSMISSION
LAWN TRACTOR

- **Assembly**
- **Operation**
- **Maintenance**
- **Service and Adjustments**

* The power rating as declared by the engine manufacturer is the average gross power output at the specified RPM of a typical production engine for the engine model measured using SAE Standards for engine gross power. Please refer to the engine manufacturer for details.

Sears Canada, Inc., Toronto, Ontario M5B 2B8



SAFETY RULES

Safe Operation Practices for Ride-On Mowers



DANGER: THIS CUTTING MACHINE IS CAPABLE OF AMPUTATING HANDS AND FEET AND THROWING OBJECTS. FAILURE TO OBSERVE THE FOLLOWING SAFETY INSTRUCTIONS COULD RESULT IN SERIOUS INJURY OR DEATH.



WARNING: In order to prevent accidental starting when setting up, transporting, adjusting or making repairs, always disconnect spark plug wire and place wire where it cannot contact spark plug.



WARNING: Do not coast down a hill in neutral, you may lose control of the tractor.



WARNING: Tow only the attachments that are recommended by and comply with specifications of the manufacturer of your tractor. Use common sense when towing. Operate only at the lowest possible speed when on a slope. Too heavy of a load, while on a slope, is dangerous. Tires can lose traction with the ground and cause you to lose control of your tractor.



WARNING

Engine exhaust, some of its constituents, and certain vehicle components contain or emit chemicals known to the State of California to cause cancer and birth defects or other reproductive harm.



WARNING

Battery posts, terminals and related accessories contain lead and lead compounds, chemicals known to the State of California to cause cancer and birth defects or other reproductive harm. Wash hands after handling.

I. GENERAL OPERATION

- Read, understand, and follow all instructions on the machine and in the manual before starting.
- Do not put hands or feet near rotating parts or under the machine. Keep clear of the discharge opening at all times.
- Only allow responsible adults, who are familiar with the instructions, to operate the machine.
- Clear the area of objects such as rocks, toys, wire, etc., which could be picked up and thrown by the blades.
- Ensure the area is clear of bystanders before operating. Stop machine if anyone enters the area.
- Never carry passengers.
- Do not mow in reverse unless absolutely necessary. Always look down and behind before and while backing.
- Never direct discharged material toward anyone. Avoid discharging material against a wall or obstruction. Material may ricochet back toward the operator. Stop the blades when crossing gravel surfaces.
- Do not operate machine without the entire grass catcher, discharge chute, or other safety devices in place and working.
- Slow down before turning.

- Never leave a running machine unattended. Always turn off blades, set parking brake, stop engine, and remove keys before dismounting.
- Disengage blades when not mowing. Shut off engine and wait for all parts to come to a complete stop before cleaning the machine, removing the grass catcher, or unclogging the discharge chute.
- Operate machine only in daylight or good artificial light.
- Do not operate the machine while under the influence of alcohol or drugs.
- Watch for traffic when operating near or crossing roadways.
- Use extra care when loading or unloading the machine into a trailer or truck.
- Always wear eye protection when operating machine.
- Use ear protectors to avoid damage to hearing.
- Data indicates that operators, age 60 years and above, are involved in a large percentage of riding mower-related injuries. These operators should evaluate their ability to operate the riding mower safely enough to protect themselves and others from serious injury.
- Follow the manufacturer's recommendation for wheel weights or counterweights.
- Keep machine free of grass, leaves or other debris build-up which can touch hot exhaust / engine parts and burn. Do not allow the mower deck to plow leaves or other debris which can cause build-up to occur. Clean any oil or fuel spillage before operating or storing the machine. Allow machine to cool before storage.

II. SLOPE OPERATION

Slopes are a major factor related to loss of control and tip-over accidents, which can result in severe injury or death. Operation on all slopes requires extra caution. If you cannot back up the slope or if you feel uneasy on it, do not mow it.

- Mow up and down slopes, not across.
- Watch for holes, ruts, bumps, rocks, or other hidden objects. Uneven terrain could overturn the machine. Tall grass can hide obstacles.
- Choose a low ground speed so that you will not have to stop or shift while on the slope.
- Do not mow on wet grass. Tires may lose traction. Always keep the machine in gear when going down slopes. Do not shift to neutral and coast downhill.
- Avoid starting, stopping, or turning on a slope. If the tires lose traction, disengage the blades and proceed slowly straight down the slope.
- Keep all movement on the slopes slow and gradual. Do not make sudden changes in speed or direction, which could cause the machine to roll over.
- Use extra care while operating machine with grass catchers or other attachments; they can affect the stability of the machine. Do no use on steep slopes.
- Do not try to stabilize the machine by putting your foot on the ground.
- Do not mow near drop-offs, ditches, or embankments. The machine could suddenly roll over if a wheel is over the edge or if the edge caves in.



SAFETY RULES

Safe Operation Practices for Ride-On Mowers



III. CHILDREN



WARNING. CHILDREN CAN BE INJURED BY THIS EQUIPMENT. The American Academy of Pediatrics recommends that children be a minimum of 12 year of age before operating a pedestrian controlled lawn mower and a minimum of 16 years of age before operating a riding lawn mower.

Tragic accidents can occur if the operator is not alert to the presence of children. Children are often attracted to the machine and the mowing activity. Never assume that children will remain where you last saw them.

- Keep children out of the mowing area and in the watchful care of a responsible adult other than the operator.
- Be alert and turn machine off if a child enters the area.
- Before and while backing, look behind and down for small children.
- Never carry children, even with the blades shut off. They may fall off and be seriously injured or interfere with safe machine operation. Children who have been given rides in the past may suddenly appear in the mowing area for another ride and be run over or backed over by the machine.
- Never allow children to operate the machine.
- Use extra care when approaching blind corners, shrubs, trees, or other objects that may block your view of a child.

IV. TOWING

- Tow only with a machine that has a hitch designed for towing. Do not attach towed equipment except at the hitch point.
- Follow the manufacturer's recommendation for weight limits for towed equipment and towing on slopes.
- Never allow children or others in or on towed equipment.
- On slopes, the weight of the towed equipment may cause loss of traction and loss of control.
- Travel slowly and allow extra distance to stop.

V. SERVICE

SAFE HANDLING OF GASOLINE

To avoid personal injury or property damage, use extreme care in handling gasoline. Gasoline is extremely flammable and the vapors are explosive.

- Extinguish all cigarettes, cigars, pipes, and other sources of ignition.
- Use only approved gasoline container.
- Never remove gas cap or add fuel with the engine running. Allow engine to cool before refueling.
- Never fuel the machine indoors.
- Never store the machine or fuel container where there is an open flame, spark, or pilot light such as on a water heater or other appliances.
- Never fill containers inside a vehicle or on a truck or trailer bed with plastic liner. Always place containers on the ground away from your vehicle when filling.
- Remove gas-powered equipment from the truck or trailer and refuel it on the ground. If this is not possible, then refuel such equipment with a portable container, rather than from a gasoline dispenser nozzle.
- Keep the nozzle in contact with the rim of the fuel tank or container opening at all times until fueling is complete. Do not use a nozzle lock-open device.

- If fuel is spilled on clothing, change clothing immediately.
- Never overfill fuel tank. Replace gas cap and tighten securely.

GENERAL SERVICE

- Never operate machine in a closed area.
- Keep all nuts and bolts tight to ensure the equipment is in safe working condition.
- Never tamper with safety devices. Check their proper operation regularly.
- Keep machine free of grass, leaves, or other debris build-up. Clean oil or fuel spillage and remove any fuel-soaked debris. Allow machine to cool before storing.
- If you strike a foreign object, stop and inspect the machine. Repair, if necessary, before restarting.
- Never make any adjustments or repairs with the engine running.
- Check grass catcher components and the discharge chute frequently and replace with manufacturer's recommended parts, when necessary.
- Mower blades are sharp. Wrap the blade or wear gloves, and use extra caution when servicing them.
- Check brake operation frequently. Adjust and service as required.
- Maintain or replace safety and instruction labels, as necessary.



- Ensure the area is clear of bystanders before operating. Stop machine if anyone enters the area.
- Never carry passengers.
- Do not mow in reverse unless absolutely necessary. Always look down and behind before and while backing.
- Never carry children, even with the blades shut off. They may fall off and be seriously injured or interfere with safe machine operation. Children who have been given rides in the past may suddenly appear in the mowing area for another ride and be run over or backed over by the machine.
- Keep children out of the mowing area and in the watchful care of a responsible adult other than the operator.
- Be alert and turn machine off if a child enters the area.
- Before and while backing, look behind and down for small children.
- Mow up and down slopes (15° Max), not across.
- Choose a low ground speed so that you will not have to stop or shift while on the slope.
- Avoid starting, stopping, or turning on a slope. If the tires lose traction, disengage the blades and proceed slowly straight down the slope.
- If machine stops while going uphill, disengage blades, shift into reverse and back down slowly.
- Do not turn on slopes unless necessary, and then, turn slowly and gradually downhill, if possible.
- When loading or unloading this machine, do not exceed the maximum recommended operation angle of 15°.

PRODUCT SPECIFICATIONS

Gasoline Capacity and type:	2.5 Gallons/9,46 L Regular Unleaded *
Oil Type: (API: SG-SL)	SAE 30 (above 32°F/0°C) SAE 5W30 (below 32°F/0°C) SYNTHETIC (below 0°F/-18°C) Your tractor was shipped from the factory with non-synthetic SAE 10W30 motor oil.
Oil Capacity:	W/Filter: 56 Oz./1,65 L W/out Filter: 48 Oz./1,4 L
Spark Plug:	Champion 696798 (Gap: .030"/0,76 mm)
Charging System:	3 Amps Battery 5 Amps Headlights
Battery:	Amp/Hr: 28 Min. CCA: 230 Case size: U1R
Blade Bolt Torque:	45-55 Ft. Lbs./62-75 Nm

* Gasoline containing up to 10% ethanol (E10) is acceptable for use in this machine. The use of any gasoline exceeding 10% ethanol (E10) will void the product warranty.

CONGRATULATIONS on your purchase of a new tractor. It has been designed, engineered and manufactured to give you the best possible dependability and performance.

Should you experience any problem you cannot easily remedy, please contact your nearest authorized service center/department. We have competent, well-trained technicians and the proper tools to service or repair this tractor.

Please read and retain this manual. The instructions will enable you to assemble and maintain your tractor properly. Always observe the "SAFETY RULES".

MAINTENANCE AGREEMENT

A Maintenance Agreement is available on this product. Contact your nearest Sears store for details.

CUSTOMER RESPONSIBILITIES

- Read and observe the safety rules.
- Follow a regular schedule in maintaining, caring for and using your tractor.
- Follow the instructions in the Maintenance and Storage sections of this manual.
- Wear proper Personal Protective Equipment (PPE) while operating this machine, including (at a minimum) sturdy footwear, eye protection, and hearing protection. Do not mow in shorts and/or open toed footwear.
- Always let someone know you are outside mowing.

WARNING: This tractor is equipped with an internal combustion engine and should not be used on or near any unimproved forest-covered, brush-covered or grass-covered land unless the engine's exhaust system is equipped with a spark arrester meeting applicable local or state laws (if any). If a spark arrester is used, it should be maintained in effective working order by the operator.

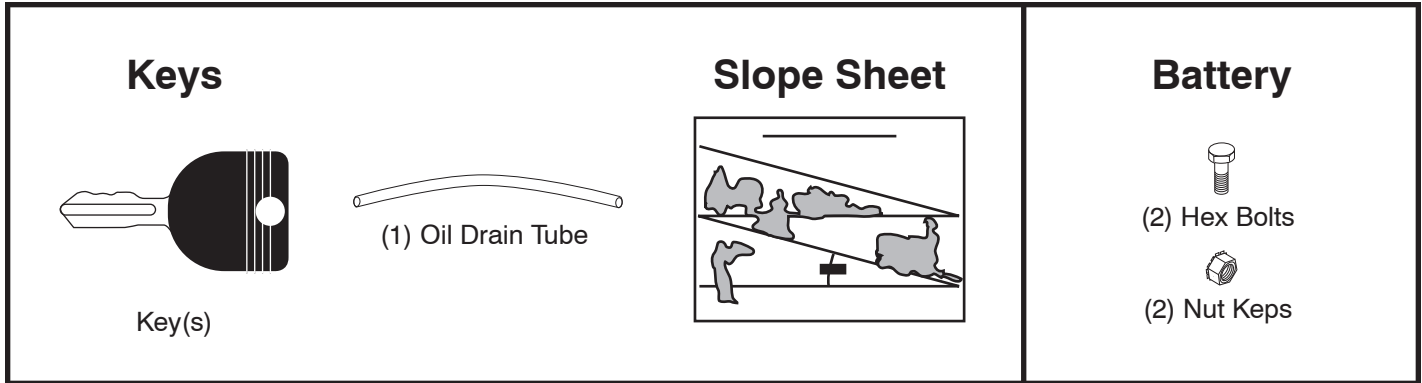
A spark arrester for the muffler is available through your nearest authorized service center/department .

TABLE OF CONTENTS

SAFETY RULES	2-3
PRODUCT SPECIFICATIONS.....	4
CUSTOMER RESPONSIBILITIES.....	4
ASSEMBLY	5-6
OPERATION	7-13
MAINTENANCE SCHEDULE	14

MAINTENANCE	14-17
SERVICE AND ADJUSTMENTS	18-23
STORAGE.....	24
TROUBLESHOOTING	25-26
WARRANTY.....	28

UNASSEMBLED PARTS



ASSEMBLY

Your new tractor has been assembled at the factory with exception of those parts left unassembled for shipping purposes.

TOOLS REQUIRED FOR ASSEMBLY

A socket wrench set will make assembly easier. Standard wrench sizes are listed.

- | | |
|--------------------|---------------------|
| (1) 5/16" wrench | Utility knife |
| (2) 7/16" wrenches | Tire pressure gauge |
| (2) 1/2" wrenches | Pliers |
| (1) 9/16" wrench | |

When right or left hand is mentioned in this manual, it means when you are in the operating position (seated behind the steering wheel).

TO REMOVE TRACTOR FROM CARTON

UNPACK CARTON

- Remove all accessible loose parts and parts cartons from carton.
- Cut along dotted lines on all four panels of carton. Remove end panels and lay side panels flat.
- Check for any additional loose parts or cartons and remove.

BEFORE REMOVING TRACTOR FROM SKID

TO CHECK BATTERY (See Fig. 1)

- Lift seat to raised position.

NOTE: If this battery is put into service after month and year indicated on label (label is located between terminals) charge battery for minimum of one hour at 6-10 amps. (See "BATTERY" in Maintenance section of this manual for charging instructions).

- For battery and battery cable installation see "REPLACING BATTERY" in the "Service and Adjustments" section in this manual.

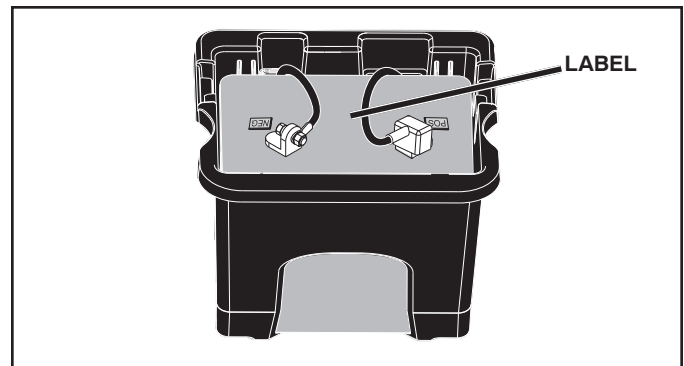


Fig. 1

ADJUST SEAT (See Fig. 2)

- Sit in seat.
- Lift up adjustment lever (A) and slide seat until a comfortable position is reached which allows you to press clutch/brake pedal all the way down.
- Release lever to lock seat in position.

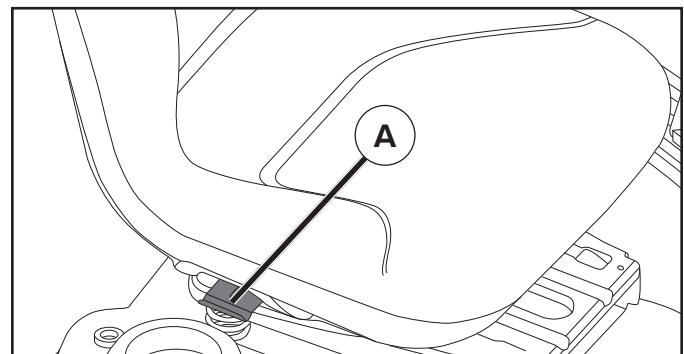


Fig. 2

ASSEMBLY

NOTE: You may now roll your tractor off the skid. Continue using the instructions that follow to remove the tractor from the skid.

⚠ WARNING: Before starting, read, understand and follow all instructions in the Operation section of this manual. Ensure tractor is in a well-ventilated area. Ensure the area in front of tractor is clear of other people and objects.

TO ROLL TRACTOR OFF SKID (See Operation section for location and function of controls)

- Raise attachment lift lever to its highest position.
- Release parking brake by depressing clutch/brake pedal.
- Place freewheel control in "TRANSMISSION DISENGAGED" position. (See "TO TRANSPORT" in the Operation section of this manual.)
- Roll tractor forward off skid.
- Remove banding holding the deflector shield up against tractor.

Continue with the instructions that follow.

CHECK TIRE PRESSURE

The tires on your tractor were overinflated at the factory for shipping purposes. Correct tire pressure is important for best cutting performance.

- Reduce tire pressure to PSI shown on tires.

CHECK DECK LEVELNESS

For best cutting results, mower housing should be properly leveled. See "TO LEVEL MOWER HOUSING" in the Service and Adjustments section of this manual.

CHECK FOR PROPER POSITION OF ALL BELTS

See the figures that are shown for replacing motion and mower blade drive belts in the Service and Adjustments section of this manual. Verify that the belts are routed correctly.

CHECK BRAKE SYSTEM

After you learn how to operate your tractor, check to see that the brake is operating properly. See "TO CHECK BRAKE" in the Service and Adjustments section of this manual.

✓ CHECKLIST

BEFORE YOU OPERATE YOUR NEW TRACTOR, WE WISH TO ENSURE THAT YOU RECEIVE THE BEST PERFORMANCE AND SATISFACTION FROM THIS QUALITY PRODUCT.

PLEASE REVIEW THE FOLLOWING CHECKLIST:






























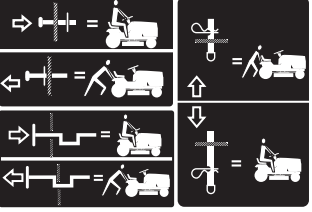






- ✓ All assembly instructions have been completed.
- ✓ No remaining loose parts in carton.
- ✓ Battery is properly prepared and charged.
- ✓ Seat is adjusted comfortably and tightened securely.
- ✓ All tires are properly inflated. (For shipping purposes, the tires were overinflated at the factory.)
- ✓ Ensure mower deck is properly leveled side-to-side/front-to-rear for best cutting results. (Tires must be properly inflated for leveling.)
- ✓ Check mower and drive belts. Ensure they are routed properly around pulleys and inside all belt keepers.
- ✓ Check wiring. See that all connections are still secure and wires are properly clamped.
- ✓ Before driving tractor, ensure freewheel control is in "TRANSMISSION ENGAGED" position. (See "TO TRANSPORT" in the Operation section of this manual.)

WHILE LEARNING HOW TO USE YOUR TRACTOR, PAY EXTRA ATTENTION TO THE FOLLOWING IMPORTANT ITEMS:

- ✓ Engine oil is at proper level.
- ✓ Fuel tank is filled with fresh, clean, regular unleaded gasoline.
- ✓ Become familiar with all controls, their location and functions. Operate them before you start the engine.
- ✓ Ensure brake system is in safe operating condition.
- ✓ Ensure Operator Presence System and Reverse Operation System (ROS) are working properly. (See the Operation and Maintenance sections in this manual.)

OPERATION

These symbols may appear on your tractor or in literature supplied with the product. Learn and understand their meaning.

							
REVERSE	NEUTRAL	HIGH	LOW	CHOKE	FAST	SLOW	IGNITION SWITCH
							
ENGINE OFF	ENGINE START	ENGINE ON	DIFFERENTIAL LOCK	CLUTCH/ BRAKE PEDAL	PARKING BRAKE	MOWER HEIGHT	MOWER LIFT
							
REVERSE OPERATION SYSTEM (ROS)	REVERSE	FORWARD	CRUISE CONTROL	LIGHTS ON	FUEL	BATTERY	EAR PROTECTION REQUIRED
							
ATTACHMENT CLUTCH DISENGAGED	ATTACHMENT CLUTCH ENGAGED	DANGER, KEEP HANDS AND FEET AWAY	KEEP AREA CLEAR (SEE SAFETY RULES SECTION)		SLOPE HAZARDS (SEE SAFETY RULES SECTION)		
			DANGER indicates a hazard which, if not avoided, will result in death or serious injury.				
FREE WHEEL (Automatic Models only)			WARNING indicates a hazard which, if not avoided, could result in death or serious injury.				
			CAUTION indicates a hazard which, if not avoided, might result in minor or moderate injury.				
Failure to follow instructions could result in serious injury or death. The safety alert symbol is used to identify safety information about hazards which can result in death, serious injury and/or property damage.		CAUTION when used without the alert symbol, indicates a situation that could result in damage to the tractor and/or engine.					
			HOT SURFACES indicates a hazard which, if not avoided, could result in death, serious injury and/or property damage.				
			FIRE indicates a hazard which, if not avoided, could result in death, serious injury and/or property damage.				

OPERATION

KNOW YOUR TRACTOR

READ THIS MANUAL AND SAFETY RULES BEFORE OPERATING YOUR TRACTOR

Compare the illustrations with your tractor to familiarize yourself with the locations of various controls and adjustments. Save this manual for future reference.

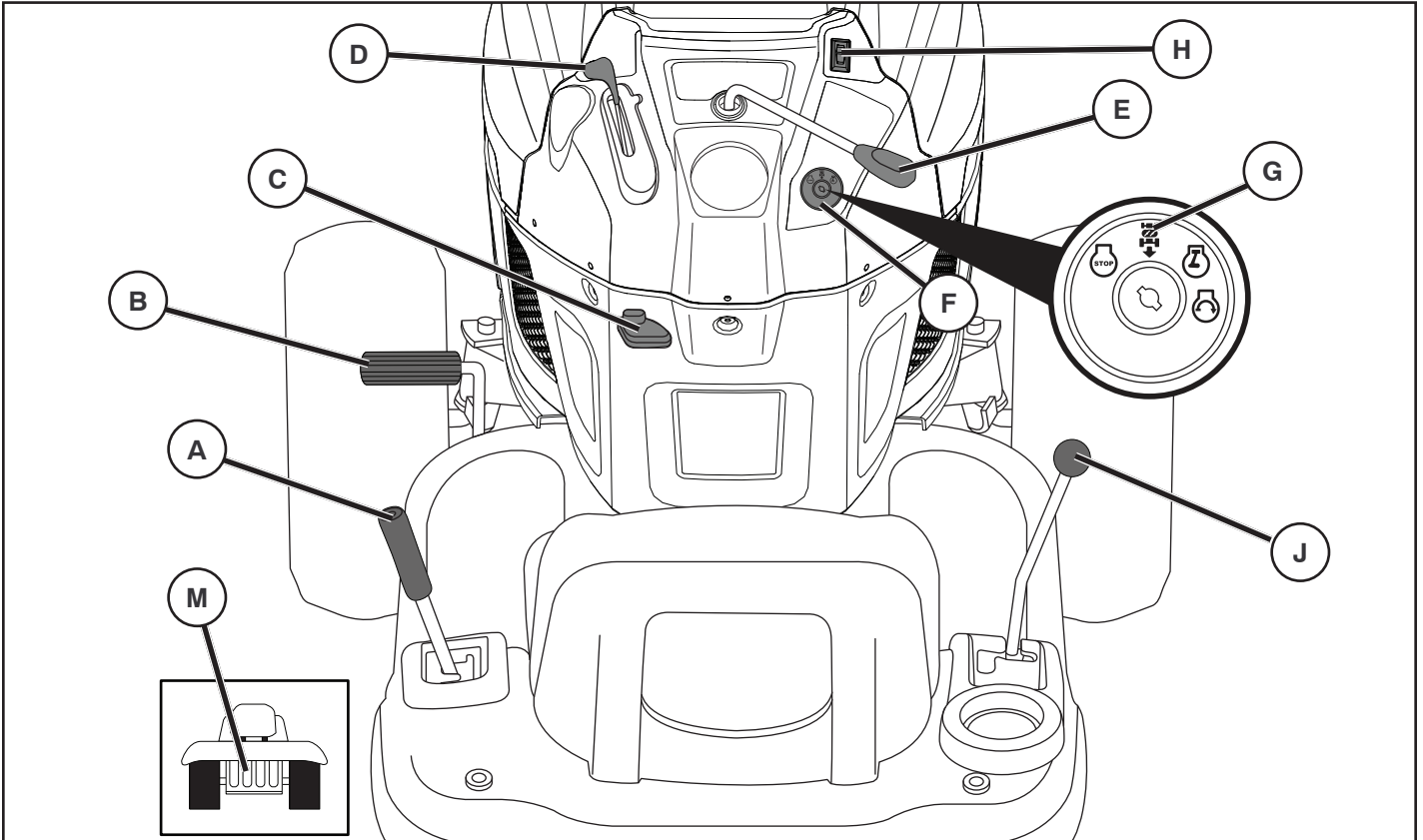


Fig. 3

Our tractors conform to the applicable safety standards of the American National Standards Institute.

(A) ATTACHMENT LIFT LEVER - Used to raise and lower the mower or other attachments mounted to your tractor.

(B) BRAKE PEDAL - Used for braking the tractor and starting the engine.

(C) PARKING BRAKE - Locks clutch/brake pedal into the brake position.

(D) THROTTLE/CHOKE CONTROL - Used for starting and controlling engine speed.

(E) ATTACHMENT CLUTCH LEVER - Used to engage the mower blades or other attachments mounted to your tractor.

(F) IGNITION SWITCH - Used for starting and stopping the engine.

(G) REVERSE OPERATION SYSTEM (ROS) "ON" POSITION - Allows operation of mower or other powered attachment while in reverse.

(H) LIGHT SWITCH - Turns the headlights on and off.

(J) MOTION CONTROL LEVER - Selects the speed and direction of the tractor.

(M) FREEWHEEL CONTROL - Disengages transmission for pushing or slowly towing the tractor with the engine off.

OPERATION



The operation of any tractor can result in foreign objects thrown into the eyes, which can result in severe eye damage. Always wear safety glasses or eye shields while operating your tractor or performing any adjustments or repairs. We recommend standard safety glasses or a wide vision safety mask worn over spectacles.

HOW TO USE YOUR TRACTOR

TO SET PARKING BRAKE (See Fig. 4)

Your tractor is equipped with an operator presence sensing switch. When engine is running, any attempt by the operator to leave the seat without first setting the parking brake will shut off the engine.

- Depress clutch/brake pedal (B) all the way down and hold.
- Pull parking brake lever (C) up and hold, release pressure from clutch/brake pedal (B), then release parking brake lever. Pedal should remain in brake position. Make sure parking brake will hold tractor secure.

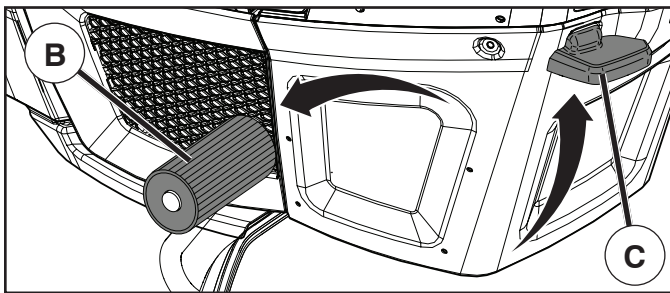
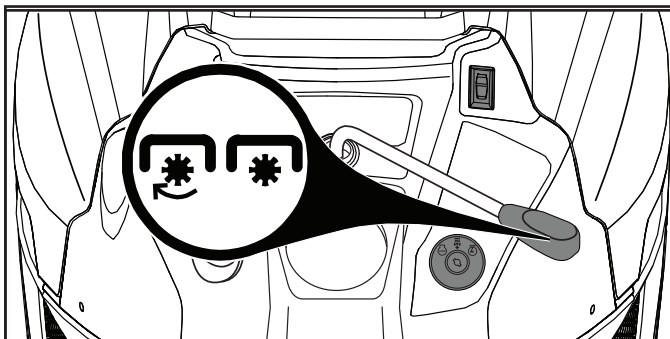


Fig. 4

STOPPING (See Fig. 5)

MOWER BLADES -

- To stop mower blades, place attachment clutch control in the "DISENGAGED" position (*).



(*) ATTACHMENT CLUTCH LEVER "DISENGAGED"

(*) ATTACHMENT CLUTCH LEVER "ENGAGED"

Fig. 5

GROUND DRIVE -

- To stop ground drive, depress brake pedal all the way down.
- Move motion control lever (J) to neutral position.

ENGINE -

- Move throttle control (D) to fast position.

NOTE: Failure to move throttle control to fast position, before stopping may cause engine to "backfire".

- Turn ignition key (F) to "STOP" position and remove key. Always remove key when leaving tractor to prevent unauthorized use.
- Never use the choke to stop the engine.

IMPORTANT: LEAVING THE IGNITION SWITCH IN ANY POSITION OTHER THAN "STOP" WILL CAUSE THE BATTERY TO DISCHARGE AND GO DEAD.

NOTE: Under certain conditions when tractor is standing idle with the engine running, hot engine exhaust gases may cause "browning" of grass. To eliminate this possibility, always stop engine when stopping tractor on grass areas.



CAUTION: Always stop tractor completely, as described above, and set parking brake before leaving the operator's position.

TO USE THROTTLE CONTROL (D) (See Fig. 6)

Always operate engine at full speed (fast).

- Operating engine at less than full speed (fast) reduces the engine's operating efficiency.
- Full speed (fast) offers the best mower performance.

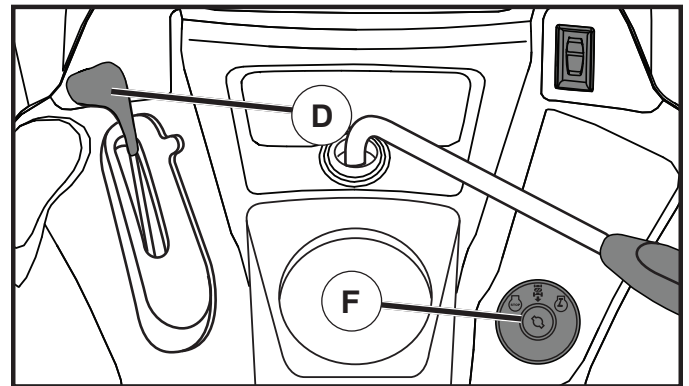


Fig. 6

OPERATION

TO MOVE FORWARD AND BACKWARD (See Fig. 7)

The direction and speed of movement is controlled by the motion control lever (J).

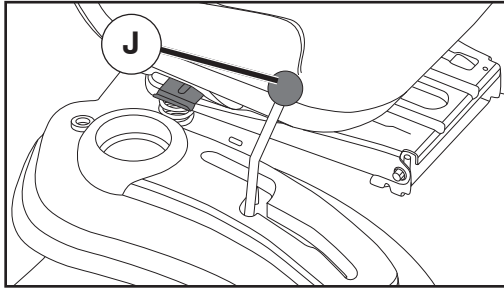


Fig. 7

- Start tractor with motion control lever in neutral position.
- Release parking brake.
- Slowly move motion control lever to desired position.

TO ADJUST MOWER CUTTING HEIGHT (See Fig. 8)

The position of the attachment lift lever (A) determines the cutting height.

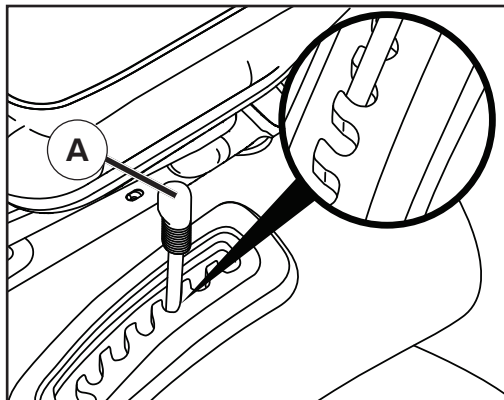


Fig. 8

- Put attachment lift lever in desired cutting height slot.

The cutting height range is approximately 1 to 4" (25,4 to 101,6 mm). The heights are measured from the ground to the blade tip with the engine not running. These heights are approximate and may vary depending upon soil conditions, height of grass and types of grass being mowed.

- The average lawn should be cut to approximately 2-1/2" (63,5 mm) during the cool season and to over 3" (76,2 mm) during hot months. For healthier and better looking lawns, mow often and after moderate growth.
- For best cutting performance, grass over 6" (152,4 mm) in height should be mowed twice. Make the first cut relatively high; the second to desired height.

TO ADJUST GAUGE WHEELS (See Fig. 9)

Gauge wheels are properly adjusted when they are slightly off the ground when mower is at the desired cutting height in operating position. Gauge wheels then keep the deck in proper position to help prevent scalping in most terrain conditions.

NOTE: Adjust gauge wheels with tractor on a flat level surface.

- Adjust mower to desired cutting height. (See "TO ADJUST MOWER CUTTING HEIGHT" in the Operation section of this manual.)
- With mower in desired height of cut position, gauge wheels should be assembled so they are slightly off the ground. Install gauge wheel in appropriate hole as shown and tighten securely.
- Repeat for opposite side installing gauge wheel in same adjustment hole.

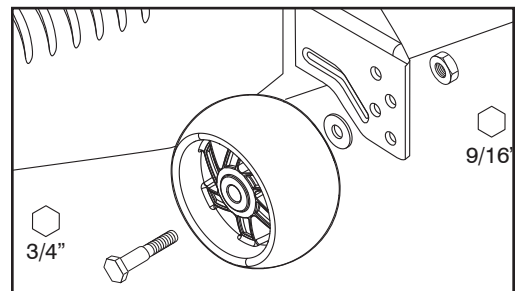


Fig. 9

TO OPERATE MOWER

Your tractor is equipped with an operator presence sensing switch. Any attempt by the operator to leave the seat with the engine running and the attachment clutch engaged will shut off the engine. You must remain fully and centrally positioned in the seat to prevent the engine from hesitating or cutting off when operating your equipment on rough, rolling terrain or hills.

- Select desired height of cut. (See "TO ADJUST MOWER CUTTING HEIGHT".)
- Start mower blades by engaging attachment clutch control.

TO STOP MOWER BLADES

Disengage attachment clutch control.



CAUTION: Do not operate the mower without either the entire grass catcher, on mowers so equipped, or the deflector chute in place (See Fig. 10).

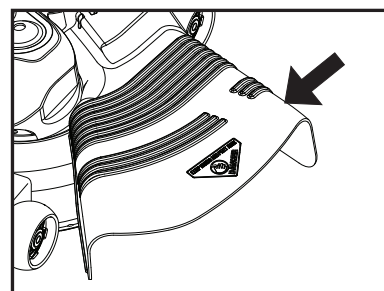


Fig. 10

OPERATION

REVERSE OPERATION SYSTEM (ROS) (See Fig. 11)

Your tractor is equipped with a Reverse Operation System (ROS). Any attempt by the operator to travel in the reverse direction with the attachment clutch engaged will shut off the engine unless ignition key is placed in the ROS "ON" position.

⚠WARNING: Backing up with the attachment clutch engaged while mowing is strongly discouraged. Turning the ROS "ON", to allow reverse operation with the attachment clutch engaged, should only be done when the operator decides it is necessary to reposition the machine with the attachment engaged. **Do not mow in reverse unless absolutely necessary.**

USING THE REVERSE OPERATION SYSTEM

Only use if you are certain no children or other bystanders will enter the mowing area.

- Move motion control lever to neutral (N) position.
- With engine running, turn ignition key counterclockwise to ROS "ON" position.
- Look down and behind before and while backing.
- Slowly move motion control lever to reverse (R) position to start movement.
- When use of the ROS is no longer needed, turn the ignition key clockwise to engine "ON" position.

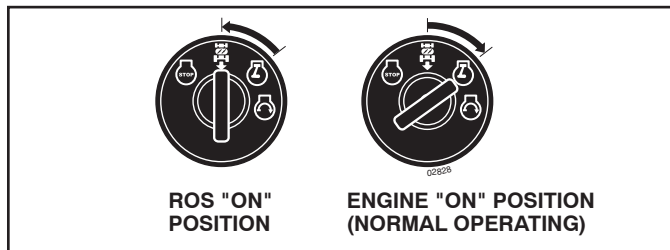
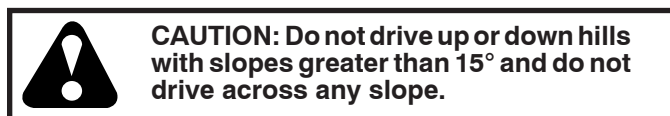


Fig. 11

TO OPERATE ON HILLS



- Choose the slowest speed before starting up or down hills.
- Avoid stopping or changing speed on hills.
- If slowing is necessary, move throttle control lever to slower position.
- If stopping is absolutely necessary, push clutch/brake pedal quickly to brake position and engage parking brake.
- Move motion control lever to neutral position.

IMPORTANT: THE MOTION CONTROL LEVER DOES NOT RETURN TO NEUTRAL POSITION WHEN THE BRAKE PEDAL IS DEPRESSED.

- To restart movement, slowly release parking brake and clutch/brake pedal.
- Slowly move motion control lever to slowest setting.
- Make all turns slowly.

TO TRANSPORT (See Figs. 12 & 13)

When pushing or towing your tractor, ensure transmission is disengaged by placing freewheel control in freewheeling position. Free wheel control is located at the rear drawbar of tractor.

- Raise attachment lift to highest position with attachment lift control.
- Move motion control lever into the NEUTRAL position to release tension from transmission.

NOTE: To completely release tension from transmission, it may be necessary to move motion control lever (J) into the REVERSE position first and then shift forward into the NEUTRAL position.

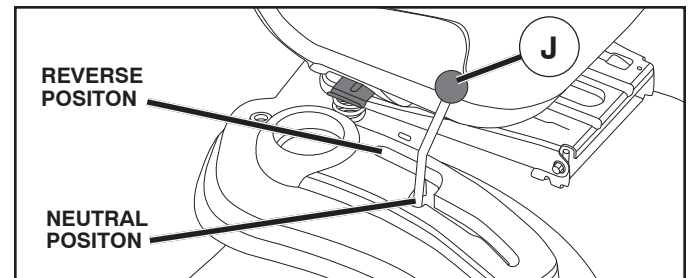


Fig. 12

- Pull freewheel control out until the free wheel control rod locks in extended position.
- Do not push or tow tractor at more than two (2) mph (3,2 km/h).
- To reengage transmission, reverse above procedure.

NOTE: Freewheel control will automatically disengage when the brake/clutch pedal is depressed.

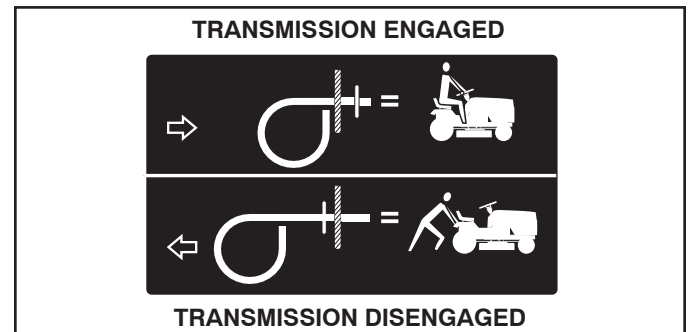


Fig. 13

NOTE: To protect hood from damage when transporting your tractor on a truck or a trailer, ensure hood is closed and secured to tractor. Use an appropriate means of tying hood to tractor (rope, cord, etc.).

TOWING CARTS AND OTHER ATTACHMENTS

Tow only the attachments that are recommended by and comply with specifications of the manufacturer of your tractor. Use common sense when towing. Too heavy of a load, while on a slope, is dangerous. Tires can lose traction with the ground and cause you to lose control of your tractor.

OPERATION

BEFORE STARTING THE ENGINE

CHECK ENGINE OIL LEVEL

The engine in your tractor has been shipped from the factory already filled with summer weight oil.

- Check engine oil with tractor on level ground.
- Remove oil fill cap/dipstick and wipe clean, reinsert the dipstick and screw cap tight, wait for a few seconds, remove and read oil level. If necessary, add oil until "FULL" mark on dipstick is reached. Do not overfill.
- For cold weather operation you should change oil for easier starting. (See "OIL VISCOSITY CHART" in the Maintenance section of this manual.)
- To change engine oil, see the Maintenance section in this manual.

ADD GASOLINE

- Fill fuel tank to bottom of filler neck. Do not overfill. Use fresh, clean, regular gasoline with a minimum of 87 octane. Do not mix oil with gasoline. Purchase fuel in quantities that can be used within 30 days to ensure fuel freshness.



CAUTION: Wipe off any spilled oil or fuel. Do not store, spill or use gasoline near an open flame.

IMPORTANT: WHEN OPERATING IN TEMPERATURES BELOW 32°F (0°C), USE FRESH, CLEAN WINTER GRADE GASOLINE TO HELP ENSURE GOOD COLD WEATHER STARTING.

CAUTION: Alcohol blended fuels (called gasohol or using ethanol or methanol) can attract moisture which leads to separation and formation of acids during storage. Acidic gas can damage the fuel system of an engine while in storage. To avoid engine problems, the fuel system should be emptied before storage of 30 days or longer. Drain the gas tank, start the engine and let it run until the fuel lines and carburetor are empty. Use fresh fuel next season. See Storage Instructions for additional information. Never use engine or carburetor cleaner products in the fuel tank or permanent damage may occur. Fuel stabilizer is an acceptable alternative in minimizing the formation of fuel gum deposits during storage. Add stabilizer to gasoline in fuel tank or storage container. Always follow the mix ratio found on stabilizer container. Run engine at least 10 minutes after adding stabilizer to allow the stabilizer to reach the carburetor. Do not empty the gas tank and carburetor if using fuel stabilizer.

TO START ENGINE (See Fig. 3)

When starting the engine for the first time or if the engine has run out of fuel, it will take extra cranking time to move fuel from the tank to the engine.

- Ensure freewheel control is in the transmission engaged position.
- Sit on seat in operating position, depress clutch/brake pedal and set parking brake.
- Place motion control lever in neutral position.
- Move attachment clutch to "DISENGAGED" position.
- Move throttle control to choke position.

NOTE: Before starting, read the warm and cold starting procedures below.

- Insert key into ignition and turn key clockwise to "START" position and release key as soon as engine starts. Do not run starter continuously for more than fifteen seconds per minute. If the engine does not start after several attempts, move throttle control to fast position, wait a few minutes and try again. If engine still does not start, move the throttle control back to the choke position and retry.

WARM WEATHER STARTING (50°F/10°C and above)

- When engine starts, move the throttle control to the fast position.
- The attachments and ground drive can now be used. If the engine does not accept the load, restart the engine and allow it to warm up for one minute using the choke as described above.

COLD WEATHER STARTING (50°F/10°C and below)

- When engine starts, allow engine to run with the throttle control in the choke position until the engine runs roughly, then move throttle control to fast position. This may require an engine warm-up period from several seconds to several minutes, depending on the temperature.

AUTOMATIC TRANSMISSION WARM UP

- Before driving the unit in cold weather, the transmission should be warmed up as follows:
 - Be sure the tractor is on level ground.
 - Place the motion control lever in neutral. Release the parking brake and let the clutch/brake slowly return to operating position.
 - Allow one minute for transmission to warm up. This can be done during the engine warm up period.
- The attachments can also be used during the engine warm-up period after the transmission has been warmed up.

OPERATION

MOWING TIPS

- DO NOT use tire chains when the mower housing is attached to tractor.
- Mower should be properly leveled for best mowing performance. See "TO LEVEL MOWER HOUSING" in the Service and Adjustments section of this manual.
- The left hand side of mower should be used for trimming.
- Drive so that clippings are discharged onto the area that has been cut. Have the cut area to the right of the tractor. This will result in a more even distribution of clippings and more uniform cutting.
- When mowing large areas, start by turning to the right so that clippings will discharge away from shrubs, fences, driveways, etc. After one or two rounds, mow in the opposite direction making left hand turns until finished (See Fig. 14).

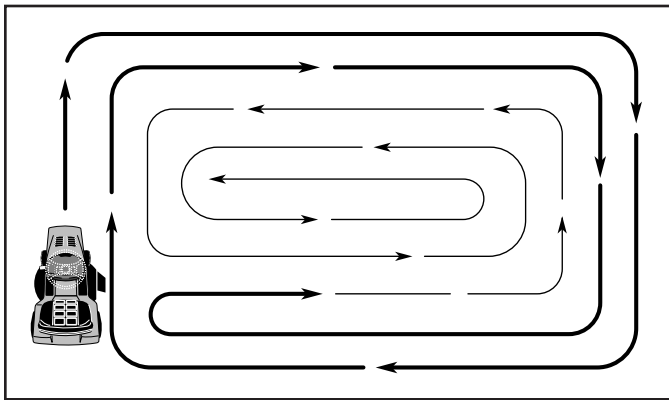


Fig. 14

- If grass is extremely tall, it should be mowed twice to reduce load and possible fire hazard from dried clippings. Make first cut relatively high; the second to the desired height.
- Do not mow grass when it is wet. Wet grass will plug mower and leave undesirable clumps. Allow grass to dry before mowing.
- **Always operate engine at full throttle when mowing** to ensure better mowing performance and proper discharge of material. Regulate ground speed by selecting a low enough gear to give the mower cutting performance as well as the quality of cut desired.
- When operating attachments, select a ground speed that will suit the terrain and give best performance of the attachment being used.

MAINTENANCE

MAINTENANCE SCHEDULE		BEFORE EACH USE	EVERY 8 HOURS	EVERY 25 HOURS	EVERY 50 HOURS	EVERY 100 HOURS	EVERY SEASON	BEFORE STORAGE
TRACTOR	Check Brake Operation	✓	✓					
	Check Tire Pressure	✓	✓					
	Check Operator Presence and ROS Systems	✓						
	Check for Loose Fasteners	✓				✓		✓
	Check/Replace Mower Blades			✓ ₃				
	Lubrication Chart			✓				✓
	Check Battery Level			✓ ₄				
	Clean Battery and Terminals			✓				✓
	Clean Debris off Steering Plate			✓ ₅				
	Check Mower Levelness				✓			
	Check V-Belts					✓		
ENGINE	Check Engine Oil Level	✓	✓					
	Change Engine Oil (models with oil filter)				✓ _{1,2}			✓
	Change Engine Oil (models without oil filter)			✓ _{1,2}				✓
	Clean Air Filter			✓ ₂				
	Clean Air Screen			✓ ₂				
	Inspect Muffler/Spark Arrester				✓			
	Replace Oil Filter (If equipped)					✓ _{1,2}		
	Clean Engine Cooling Fins					✓ ₂		
	Replace Spark Plug					✓	✓	
	Replace Air Filter Paper Cartridge					✓ ₂		
	Replace Fuel Filter						✓	

1 - Change more often when operating under a heavy load or in high ambient temperatures
2 - Service more often when operating in dirty or dusty conditions.

3 - Replace blades more often when mowing in sandy soil.
4 - Not required if equipped with maintenance-free battery.

5 - See Cleaning in Maintenance Section.

GENERAL RECOMMENDATIONS

The warranty on this tractor does not cover items that have been subjected to operator abuse or negligence. To receive full value from the warranty, operator must maintain tractor as instructed in this manual.

Some adjustments will need to be made periodically to properly maintain your tractor.

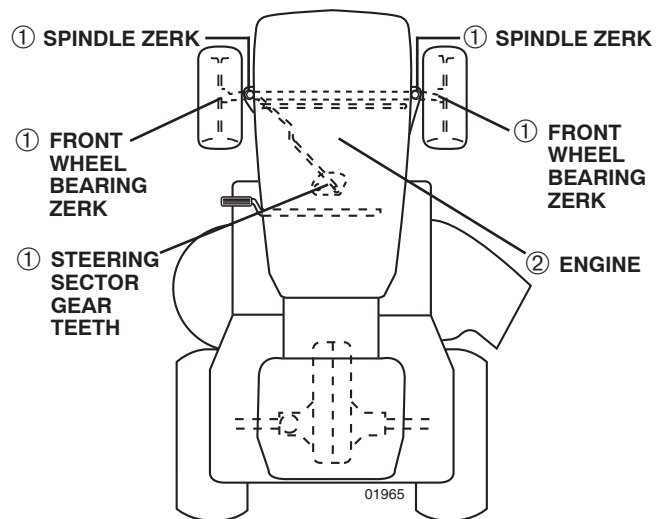
At least once a season, check to see if you should make any of the adjustments described in the Service and Adjustments section of this manual.

- At least once a year you should replace the spark plug, clean or replace air filter, and check blades and belts for wear. A new spark plug and clean air filter ensure proper air-fuel mixture and help your engine run better and last longer.

BEFORE EACH USE

- Check engine oil level.
- Check brake operation.
- Check tire pressure.
- Check operator presence and ROS systems for proper operation.
- Check for loose fasteners.

LUBRICATION CHART



- ① General Purpose Grease
- ② Refer to Maintenance "ENGINE" Section

IMPORTANT: DO NOT OIL OR GREASE THE PIVOT POINTS WHICH HAVE SPECIAL NYLON BEARINGS. VISCOUS LUBRICANTS WILL ATTRACT DUST AND DIRT THAT WILL SHORTEN THE LIFE OF THE SELF-LUBRICATING BEARINGS. IF YOU FEEL THEY MUST BE LUBRICATED, USE ONLY A DRY, POWDERED GRAPHITE TYPE LUBRICANT SPARINGLY.

MAINTENANCE

TRACTOR

Always observe safety rules when performing any maintenance.

BRAKE OPERATION

If tractor requires more than five (5) feet (1,5 m) to stop at highest speed in highest gear on a level, dry concrete or paved surface, then brake must be checked and adjusted. (See "TO CHECK BRAKE" in the Service and Adjustments section of this manual.)

TIRES

- Maintain proper air pressure in all tires. (See the sides of tires for proper PSI.)
- Keep tires free of gasoline, oil, or insect control chemicals which can harm rubber.
- Avoid stumps, stones, deep ruts, sharp objects and other hazards that may cause tire damage.

NOTE: To seal tire punctures and prevent flat tires due to slow leaks, tire sealant may be purchased from your local parts dealer. Tire sealant also prevents tire dry rot and corrosion.

OPERATOR PRESENCE SYSTEM AND REVERSE OPERATION SYSTEM (ROS) (See Fig. 15)

Be sure operator presence and reverse operation systems are working properly. If your tractor does not function as described, repair the problem immediately.

- The engine should not start unless the brake pedal is fully depressed, and the attachment clutch control is in the disengaged position.

CHECK OPERATOR PRESENCE SYSTEM

- When the engine is running, any attempt by the operator to leave the seat without first setting the parking brake should shut off the engine.
- When the engine is running and the attachment clutch is engaged, any attempt by the operator to leave the seat should shut off the engine.
- The attachment clutch should never operate unless the operator is in the seat.

CHECK REVERSE OPERATION (ROS) SYSTEM

- When the engine is running with the ignition switch in the engine "ON" position and the attachment clutch engaged, any attempt by the operator to shift into reverse should shut off the engine.
- When the engine is running with the ignition switch in the ROS "ON" position and the attachment clutch engaged, any attempt by the operator to shift into reverse should NOT shut off the engine.

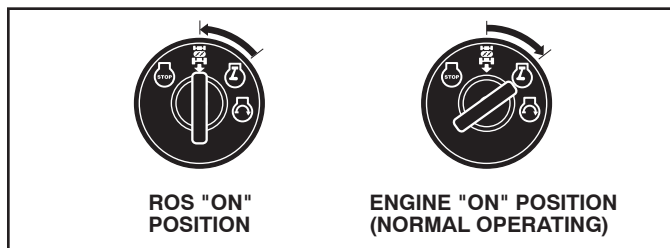


Fig. 15

BLADE CARE

For best results mower blades must be kept sharp. Replace bent or damaged blades.



CAUTION: Use only a replacement blade approved by the manufacturer of your tractor. Using a blade not approved by the manufacturer of your tractor is hazardous, could damage your tractor and void your warranty.

BLADE REMOVAL (See Fig. 16)

- Raise mower to highest position to allow access to blades.

NOTE: Protect your hands with gloves and/or wrap blade with heavy cloth.

- Remove blade bolt by turning counterclockwise.
- Install new or resharpened blade with stamped "GRASS SIDE" facing the ground.

IMPORTANT: To ensure proper assembly, center hole in blade must align with star on mandrel assembly.

- Install and tighten blade bolt securely (45-55 Ft. Lbs./ 62-75 Nm).

IMPORTANT: SPECIAL BLADE BOLT IS HEAT TREATED.

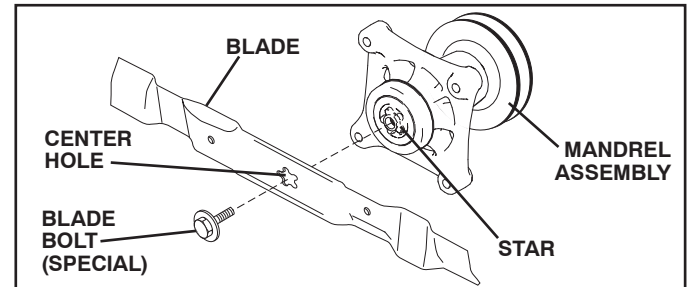


Fig. 16

BATTERY

Your tractor has a battery charging system which is sufficient for normal use. However, periodic charging of the battery with an automotive charger will extend its life.

- Keep battery and terminals clean.
- Keep battery bolts tight.
- Keep small vent holes open.
- Recharge at 6-10 amperes for 1 hour.

NOTE: The original equipment battery on your tractor is maintenance free. Do not attempt to open or remove caps or covers. Adding or checking level of electrolyte is not necessary.

TO CLEAN BATTERY AND TERMINALS

Corrosion and dirt on the battery and terminals can cause the battery to "leak" power.

- Remove terminal guard.
- Disconnect BLACK battery cable first then RED battery cable and remove battery from tractor.
- Rinse the battery with plain water and dry.
- Clean terminals and battery cable ends with wire brush until bright.
- Coat terminals with grease or petroleum jelly.
- Reinstall battery. (See "REPLACING BATTERY" in the Service and Adjustments section of this manual.)

MAINTENANCE

V-BELTS

Check V-belts for deterioration and wear after 100 hours of operation and replace if necessary. The belts are not adjustable. Replace belts if they begin to slip from wear.

TRANSAXLE MAINTENANCE

The transaxle was sealed at the factory and fluid maintenance is not required for the life of the transaxle. Should the transaxle ever leak or require servicing, contact your nearest authorized service center/department.

ENGINE

LUBRICATION

Only use high quality detergent oil rated with API service classification SG-SL. Select the oil's SAE viscosity grade according to your expected operating temperature. When operating in temperatures below 0° F (-18° C) synthetic oil must be used.

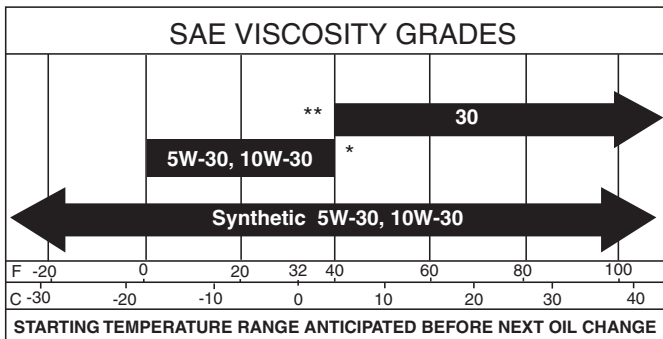


Fig. 17

*** CAUTION:** Air cooled engines run hotter than automotive engines. The use of non-synthetic multi-viscosity oils (5W30, 10W30 etc.) in temperatures above 40° F (4° C) will result in higher than normal oil consumption. When using a multi-viscosity oil, check oil level more frequently.

**** CAUTION:** SAE 30 oil, if used below 40° F (4° C), will result in hard starting and possible engine bore damage due to inadequate lubrication.



NOTE: Synthetic oil meeting ILSAC GF-2, API certification mark and API service symbol (shown at left) with "SJ/CF ENERGY CONSERVING" or higher, is an acceptable oil at all temperatures. **Use of synthetic oil does not alter required oil change intervals.**

Change the oil after every 50 hours of operation or at least once a year if the tractor is not used for 50 hours in one year.

Check the crankcase oil level before starting the engine and after each eight (8) hours of operation. Tighten oil fill cap/dipstick securely each time you check the oil level.

TO CHANGE ENGINE OIL (See Fig. 17-19)

Determine temperature range expected before oil change. All oil must meet API service classification SG-SL.

- Ensure tractor is on level surface.
- Oil will drain more freely when warm.
- Catch oil in a suitable container.

LOWER DASH COVER REMOVAL

- Raise hood.
- Remove fastener from lower dash cover.

CAUTION: Remove lower dash cover carefully to ensure cover tabs are not broken.

- Slide lower dash cover up to release cover tabs from tapered slots in lower dash and remove.

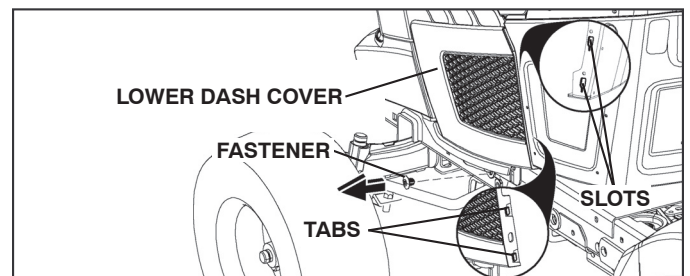


Fig. 18

- Remove oil fill cap/dipstick. Be careful not to allow dirt to enter the engine when changing oil.
- Remove yellow cap from end of drain valve and install the drain tube onto the fitting.
- Unlock drain valve by pushing inward and turning counterclockwise.
- To open, pull out on the drain valve.

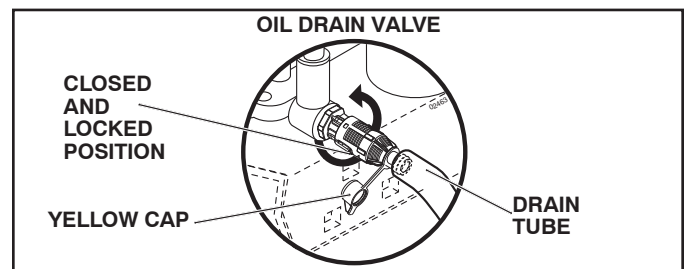


Fig. 19

- After oil has drained completely, close and lock the drain valve by pushing inward and turning clockwise until the pin is in the locked position as shown.
- Remove the drain tube and replace the cap onto to the bottom fitting of the drain valve.
- Refill engine with oil through oil fill dipstick tube. Pour slowly. Do not overfill. For approximate capacity see "PRODUCT SPECIFICATIONS" section of this manual.
- Use gauge on oil fill cap/dipstick for checking level. Ensure dipstick cap is tightened securely for accurate reading. Keep oil at "FULL" line on dipstick. Tighten cap onto the tube securely when finished.

MAINTENANCE

ENGINE OIL FILTER

Replace the engine oil filter every season or every other oil change if the tractor is used more than 100 hours in one year.

CLEAN AIR SCREEN

The air screen is over the air intake blower located on top of engine. The air screen must be kept free of dirt and chaff to prevent engine damage from overheating. Clean with a wire brush or compressed air to remove dirt and stubborn dried gum fibers.

AIR FILTER

Your engine will not run properly using a dirty air filter. Service air cleaner more often under dusty conditions. See engine manual.

MUFFLER

Inspect and replace corroded muffler and spark arrester (if equipped) as it could create a fire hazard and/or damage.

SPARK PLUGS

Replace spark plugs at the beginning of each mowing season or after every 100 hours of use, whichever comes first. Spark plug type and gap setting is shown in "PRODUCT SPECIFICATIONS" section of this manual.

ENGINE COOLING SYSTEM

To ensure proper cooling, make sure the grass screen, cooling fins, and other external surfaces of the engine are kept clean at all times.

Every 100 hours of operation (more often under extremely dusty, dirty conditions), remove the blower housing and other cooling shrouds. Clean the cooling fins and external surfaces as necessary. Ensure the cooling shrouds are reinstalled.

NOTE: Operating the engine with a blocked grass screen, dirty or plugged cooling fins, and/or cooling shrouds removed will cause engine damage due to overheating.

IN-LINE FUEL FILTER (See Fig. 20)

The fuel filter should be replaced once each season. If fuel filter becomes clogged, obstructing fuel flow to carburetor, replacement is required.

- With engine cool, remove filter and plug fuel line sections.
- Place new fuel filter in position in fuel line with arrow pointing towards carburetor.
- Be sure there are no fuel line leaks and clamps are properly positioned.
- Immediately wipe up any spilled gasoline.

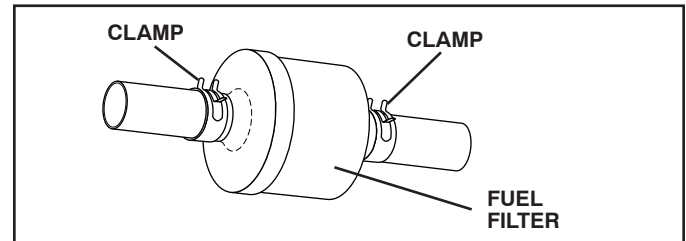


Fig. 20

CLEANING

- Clean engine, battery, seat, finish, etc. of all foreign matter.
- Clean debris from steering plate. Debris can restrict clutch/brake pedal shaft movement, causing belt slip and loss of drive. See Fig. 21.

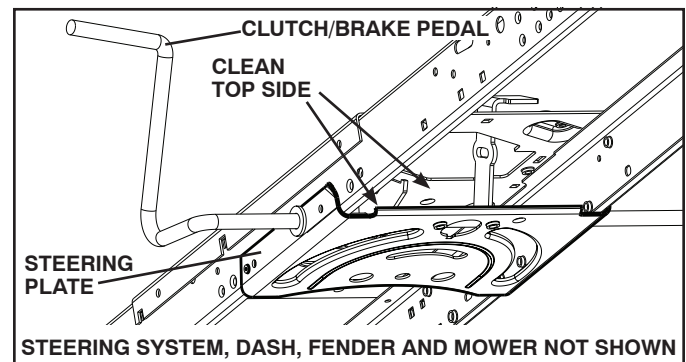


Fig. 21

- Keep finished surfaces and wheels free of all gasoline, oil, etc.
- Protect painted surfaces with automotive type wax.

Except for the washout port (if equipped), we do not recommend using a garden hose or pressure washer to clean the outside of your tractor unless the engine and transmission are covered to keep water out. Water in engine or transmission will shorten the useful life of your tractor. Use compressed air or a leaf blower to remove grass, leaves and trash from outside tractor and mower.

SERVICE AND ADJUSTMENTS



WARNING: TO AVOID SERIOUS INJURY, BEFORE PERFORMING ANY SERVICE OR ADJUSTMENTS:

- Depress brake pedal fully and set parking brake.
- Place motion control lever in neutral position.
- Place attachment clutch in “DISENGAGED” position.
- Turn ignition key to “STOP” and remove key.
- Make sure the blades and all moving parts have completely stopped.
- Disconnect spark plug wire from spark plug and place wire where it cannot come in contact with plug.

TO REMOVE MOWER (See Fig. 22)

- Place attachment clutch in “DISENGAGED” position.
- Lower attachment lift lever to its lowest position.
- Remove mower belt from engine pulley (M).
- Remove retainer spring (K), slide collar (L) off and push housing guide (P) out of bracket.
- Remove clutch cable spring (Q) from idler arm (R).
- Disconnect front link (E) from mower - remove retainer spring and washer.
- Go to either side of mower and disconnect mower suspension arm (A) from chassis and rear lift link (C) from rear mower bracket (D) - remove retainer springs and washers.
- Go to other side of mower and disconnect the suspension arm and rear lift link.



CAUTION: After rear lift links are disconnected, the attachment lift lever will be spring loaded. Have a tight grip on lift lever when changing position of the lever.

- Slide mower out from under right side of tractor.

IMPORTANT: IF AN ATTACHMENT OTHER THAN THE MOWER IS TO BE MOUNTED ON THE TRACTOR, REMOVE THE FRONT LINK (E) AND REAR LIFT LINKS (C) FROM TRACTOR AND HOOK THE CLUTCH SPRING (Q) INTO THE CABLE GUIDE ON FRONT EDGE OF LOWER DASH.

TO INSTALL MOWER (See Figs. 22-27)

Ensure tractor is on level surface and engage parking brake.

- Lower attachment lift lever to its lowest position.



CAUTION: Lift lever is spring loaded. Have a tight grip on lift lever, lower it slowly and engage in lowest position.

NOTE: Ensure mower side suspension arms (A) are pointing forward before sliding mower under tractor.

- Slide mower under tractor until it is centered under tractor.

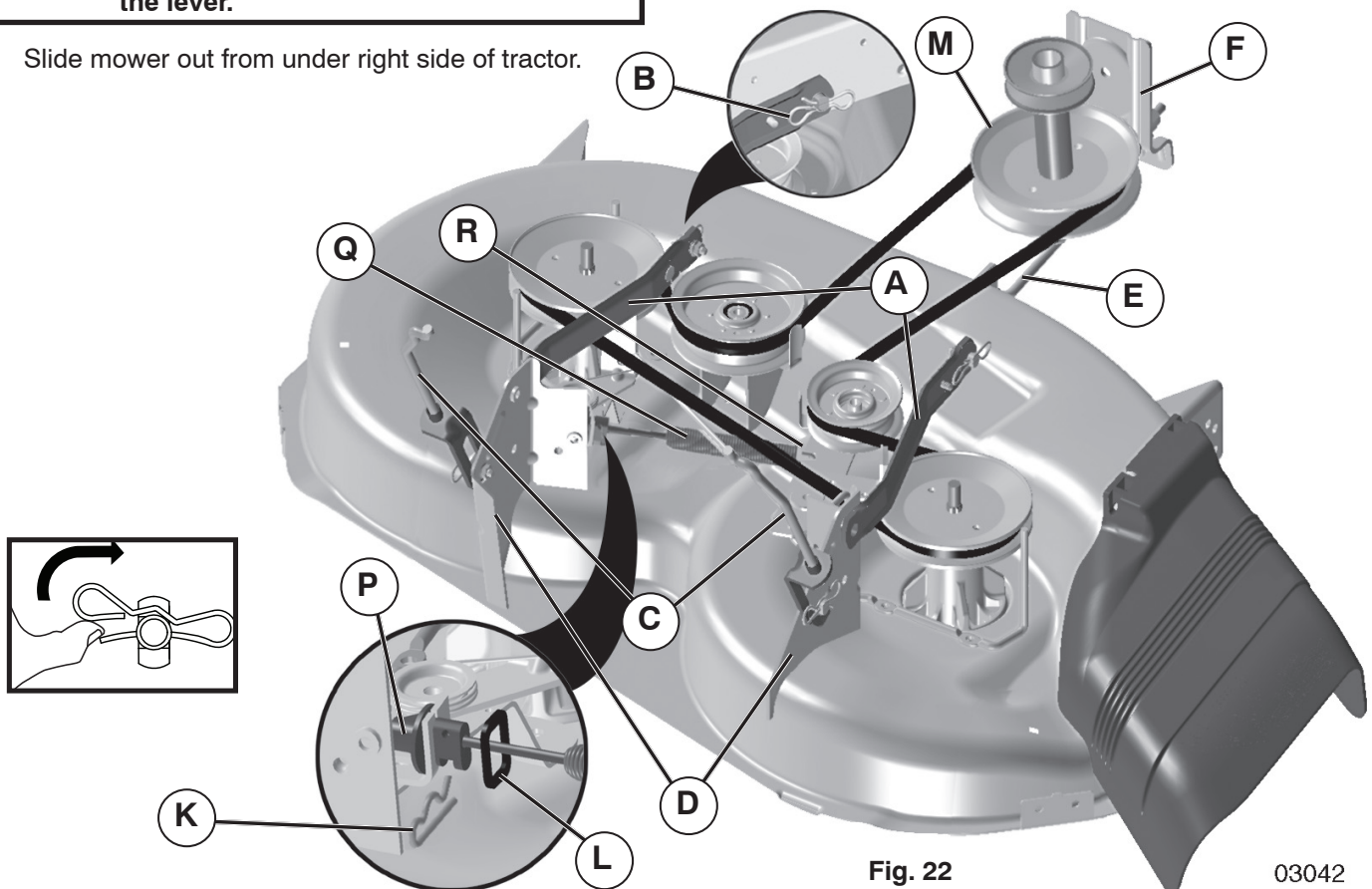


Fig. 22

03042

SERVICE AND ADJUSTMENTS

- ATTACH MOWER SIDE SUSPENSION ARMS (A) TO CHASSIS - Position hole in arm over pin (B) on outside of tractor chassis and secure with retainer spring.
- Repeat on opposite side of tractor.

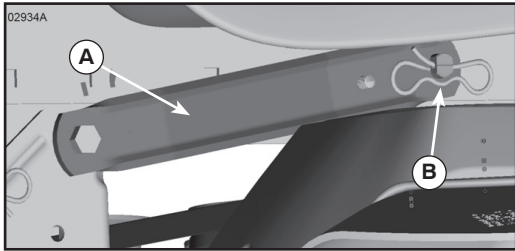


Fig. 23

- ATTACH REAR LIFT LINKS (C) - Lift rear corner of mower and position slot in link assembly over pin (D) on rear mower bracket and secure with washer and retainer spring.
- Repeat on opposite side of tractor.

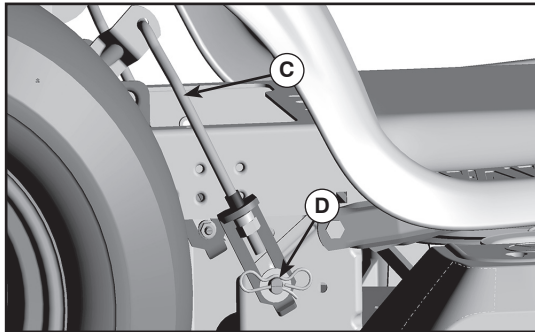


Fig. 24

- ATTACH FRONT LINK (E) - Work from left side of tractor. Insert rod end of link assembly through front hole in tractor front suspension bracket (F).

- Insert end of link (E) into hole in front mower bracket and secure with washer and retainer spring (J).

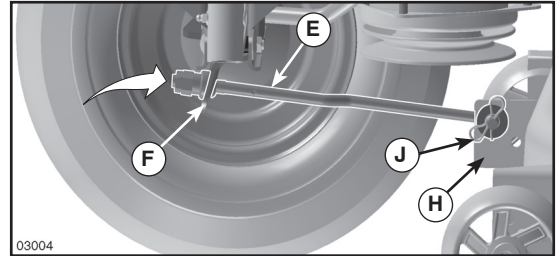


Fig. 25

- Hook end of clutch cable spring (Q) into hole in idler arm (R).
- Push clutch cable housing guide (P) into bracket, slide collar (L) onto guide and secure with retainer spring (K).
- Install belt on engine pulley (M).

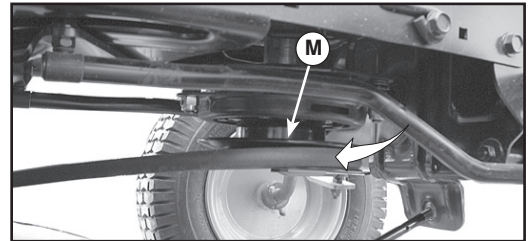


Fig. 26

IMPORTANT: CHECK BELT FOR PROPER ROUTING IN ALL MOWER PULLEY GROOVES.

- Raise attachment lift lever to highest position.
- If necessary, adjust gauge wheels before operating mower as shown in the Operation section of this manual.

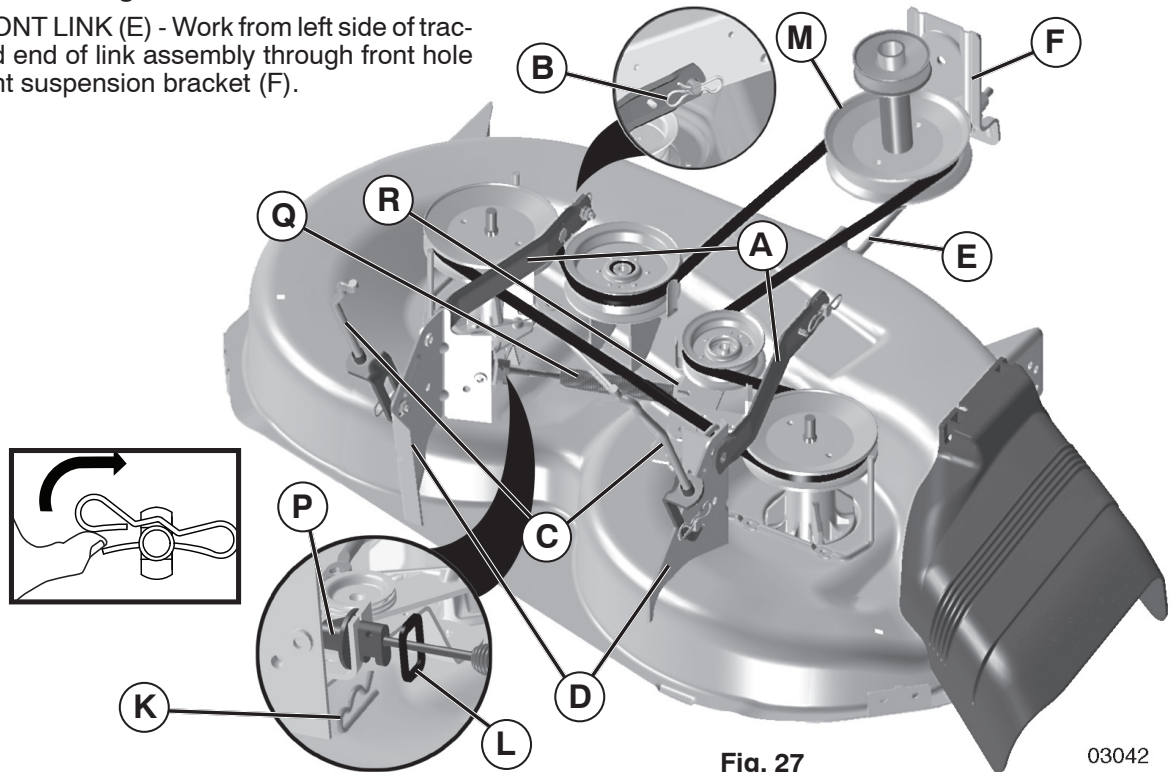


Fig. 27

03042

SERVICE AND ADJUSTMENTS

TO LEVEL MOWER

Ensure tires are properly inflated to the PSI shown on tires. If tires are over or under inflated, it may affect the appearance of your lawn and lead you to think the mower is not adjusted properly.

VISUAL SIDE-TO-SIDE ADJUSTMENT (See Fig. 28)

- With all tires properly inflated and if your lawn appears unevenly cut, determine which side of mower is cutting lower.

NOTE: As desired, you can raise the low side of mower or lower the high side.

- Go to side of mower you wish to adjust.
- With a 3/4" or adjustable wrench, turn lift link adjustment nut (A) to the left to lower the mower, or, to the right to raise the mower.

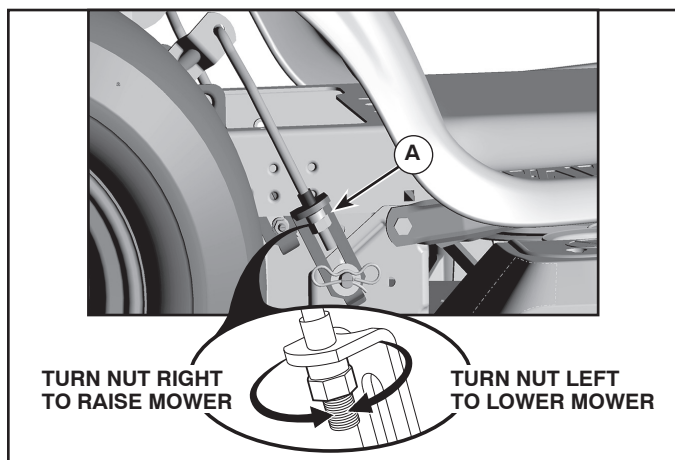


Fig. 28

NOTE: Each full turn of adjustment nut will change mower height about 3/16" (4,7 mm).

- Test your adjustment by mowing some uncut grass and visually checking the appearance. Readjust, if necessary, until you are satisfied with the results.

PRECISION SIDE-TO-SIDE ADJUSTMENT (See Fig. 29)

- With all tires properly inflated, park tractor on level ground or driveway.

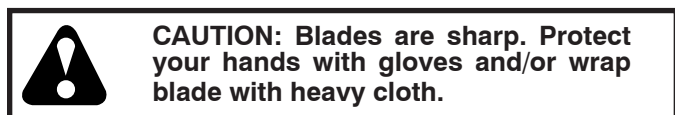
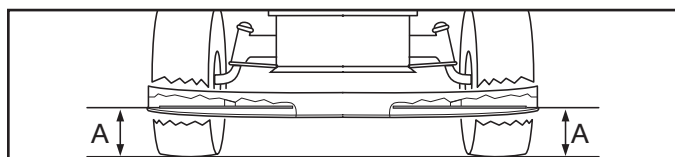


Fig. 29

CAUTION: Blades are sharp. Protect your hands with gloves and/or wrap blade with heavy cloth.

- Raise mower to its highest position.
- At both sides of mower, position blade at side and measure the distance (A) from bottom edge of blade to the ground. The distance should be the same on both sides.
- If adjustment is necessary, see steps in Visual Adjustment instructions above.



- Recheck measurements, adjust if necessary until both sides are equal.

FRONT-TO-BACK ADJUSTMENT (See Figs. 30 & 31)

IMPORTANT: Deck must be level side-to-side.

To obtain the best cutting results, the mower blades should be adjusted so the front tip is 1/8" to 1/2" (3,1 to 12,7 mm) lower than the rear tip when the mower is in its highest position.



- Raise mower to highest position.
- Position any blade so the tip is pointing straight forward. Measure distance (B) to the ground at front and rear tip of the blade.

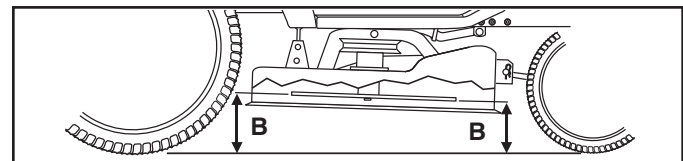


Fig. 30

- If front tip of blade is not 1/8" to 1/2" (3,1 to 12,7 mm) lower than the rear tip, go to the front of tractor.
- With an 11/16" or adjustable wrench, loosen jam nut A several turns to clear adjustment nut B.
- With a 3/4" or adjustable wrench, turn front link adjustment nut (B) clockwise (↻) (tighten) to raise the front of mower, or, counterclockwise (↺) (loosen) to lower the front mower.

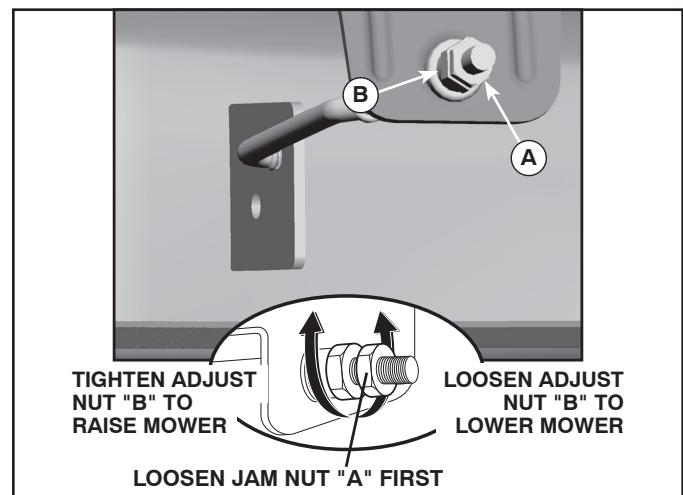


Fig. 31

NOTE: Each full turn of the adjustment nut will change mower height about 1/8" (3,1 mm).

- Recheck measurements, adjust if necessary until front tip of blade is 1/8 to 1/2" (3,1 to 12,7 mm) lower than the rear tip.
- Hold adjustment nut in position with wrench and tighten jam nut securely against adjustment nut.

SERVICE AND ADJUSTMENTS

TO REPLACE MOWER BLADE DRIVE BELT (See Fig. 32)

The mower blade drive belt may be replaced without tools. Park the tractor on level surface. Engage parking brake.

BELT REMOVAL -

- Remove mower from tractor. (See "TO REMOVE MOWER" in this section of manual.)
- Work belt off both mandrel pulleys and idler pulleys.
- Pull belt away from mower.

BELT INSTALLATION -

- Work belt around both mandrel pulleys and idler pulleys.
- Ensure belt is in all pulley grooves and inside all belt guides.
- Install mower. (See "TO INSTALL MOWER" in this section of manual.)

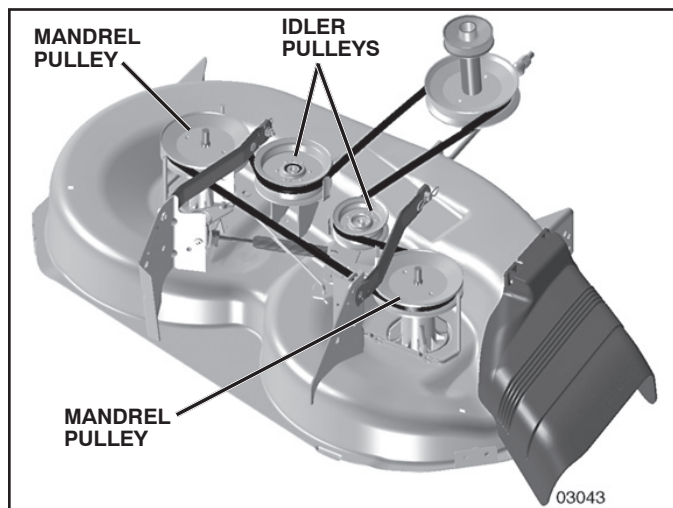


Fig. 32

TO CHECK BRAKE

If tractor requires more than five (5) feet (1,5 m) to stop at highest speed in highest gear on a level, dry concrete or paved surface, then brake must be serviced.

You may also check brake by:

1. Park tractor on a level, dry concrete or paved surface, depress brake pedal all the way down and engage parking brake.
2. Disengage transmission by placing freewheel control in "transmission disengaged" position. Pull freewheel control out and into the slot and release so it is held in the disengaged position.

The rear wheels must lock and skid when you try to manually push the tractor forward. If the rear wheels rotate, then the brake needs to be serviced. Contact a Sears or other qualified service center.

FRONT WHEEL TOE-IN/CAMBER

Your new tractor front wheel toe-in and camber is set at the factory and is normal. The front wheel toe-in and camber are not adjustable. If damage has occurred to affect the factory set front wheel toe-in or camber, contact a qualified service center.

TO REPLACE MOTION DRIVE BELT (See Fig. 33)

Park the tractor on level surface. Engage parking brake. For assistance, there is a belt installation guide decal on bottom side of left footrest.

BELT REMOVAL -

1. Remove mower. (See "TO REMOVE MOWER" section in this manual.)

NOTE: Observe entire motion drive belt and position of all belt guides and keepers.

2. Remove belt from stationary idler (A) and clutching idler (B).
3. Remove belt from centerspan idler (C).
4. Pull belt slack toward rear of tractor. Remove belt upwards from transaxle input pulley (D).
5. Remove belt downward from engine pulley (E).
6. Slide belt toward rear of tractor, off the steering plate (F) and remove from tractor.

BELT INSTALLATION -

1. Install new belt from tractor rear to front, over the steering plate (F) and above clutch brake pedal shaft (G).
2. Pull belt toward front of tractor and roll belt onto engine pulley (E).
3. Pull belt toward rear of tractor. Carefully work belt down around transaxle input pulley (D). Be sure belt is inside the belt keeper.
4. Install belt on centerspan idler (C).
5. Install belt through stationary idler (A) and clutching idler (B).
6. Make sure belt is in all pulley grooves and inside all belt guides and keepers.
7. Install mower. (See "TO INSTALL MOWER" section in this manual.)

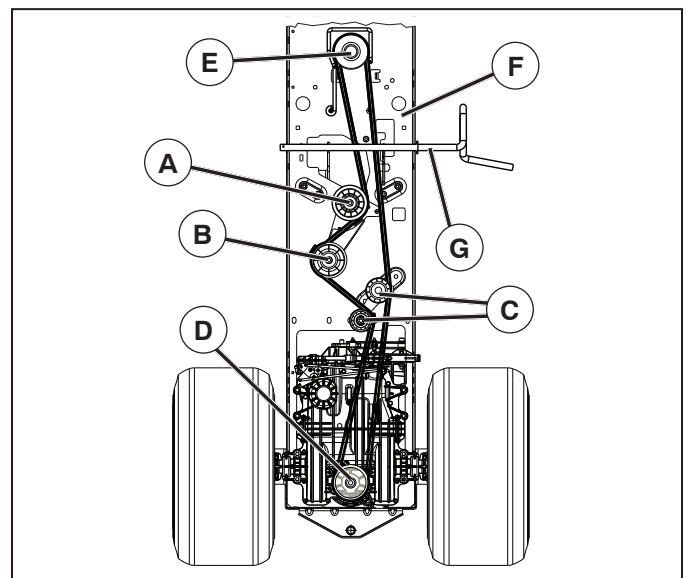


Fig. 33

SERVICE AND ADJUSTMENTS

TRANSAXLE MOTION CONTROL LEVER NEUTRAL ADJUSTMENT (See Figs. 34 & 35)

The motion control lever has been preset at the factory and adjustment should not be necessary.

- Engage the freewheel control lever. (See "TO TRANSPORT" in the Operations section of this manual.)
- Move the motion control lever until the unit rolls freely.
- While holding motion control lever in place, loosen the adjustment bolt.
- Move motion control lever to the neutral (lock gate) position.
- Tighten adjustment bolt securely.

NOTE: If additional clearance is needed to get to adjustment bolt, move mower deck height to the lowest position.

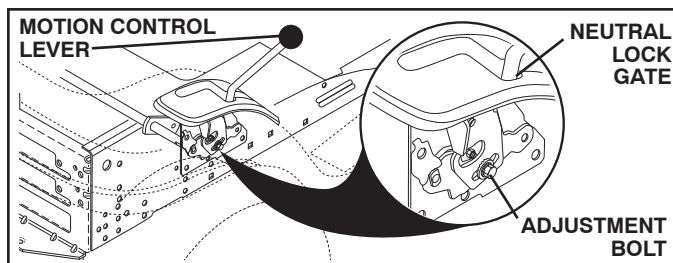


Fig. 34

After above adjustment is made, if the tractor does not reach full forward or reverse speed at the furthest motion control lever location for forward and reverse, follow these steps.

- Lower attachment lift lever to its lowest position.
- Move the shift plate on front of transmission so that the extruded area centerline is in line with the dynamic brake arm. (See Fig. 35)
- While holding motion control lever in place, loosen the adjustment bolt.
- Move motion control lever to the neutral (lock gate) position.
- Tighten adjustment bolt securely.

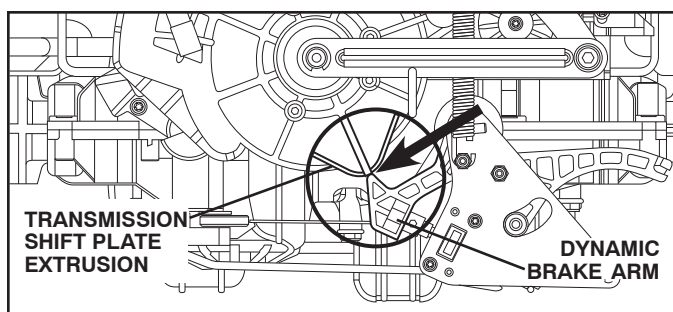


Fig. 35

TO REMOVE WHEEL (See Fig. 36)

- Block up axle securely.
- Remove axle cover, retaining ring and washers to allow wheel removal (rear wheel contains a square key - do not lose).
- Repair tire and reassemble.
- On rear wheels only: align grooves in rear wheel hub and axle. Insert square key.

- Replace washers and snap retaining ring securely in axle groove.
- Replace axle cover.

NOTE: To seal tire punctures and prevent flat tires due to slow leaks, tire sealant may be purchased from your local parts dealer. Tire sealant also prevents tire dry rot and corrosion.

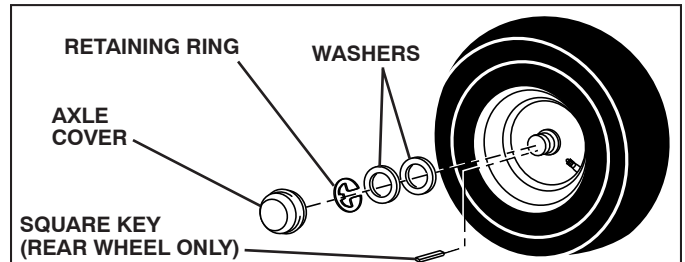
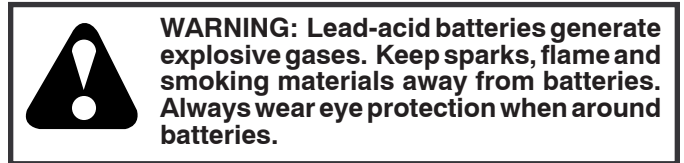


Fig. 36

TO START ENGINE WITH A WEAK BATTERY (See Fig. 37)



If your battery is too weak to start the engine, it should be recharged. (See "BATTERY" in the Maintenance section of this manual.)

If "jumper cables" are used for emergency starting, follow this procedure:

IMPORTANT: YOUR TRACTOR IS EQUIPPED WITH A 12 VOLT SYSTEM. THE OTHER VEHICLE MUST ALSO BE A 12 VOLT SYSTEM. DO NOT USE YOUR TRACTOR BATTERY TO START OTHER VEHICLES.

TO ATTACH JUMPER CABLES -

- Connect one end of the RED cable to the POSITIVE (+) terminal of each battery (A-B), taking care not to short against tractor chassis.
- Connect one end of the BLACK cable to the NEGATIVE (-) terminal (C) of fully charged battery.
- Connect the other end of the BLACK cable (D) to good chassis ground, away from fuel tank and battery.

TO REMOVE CABLES, REVERSE ORDER -

- BLACK cable first from chassis and then from the fully charged battery.
- RED cable last from both batteries.

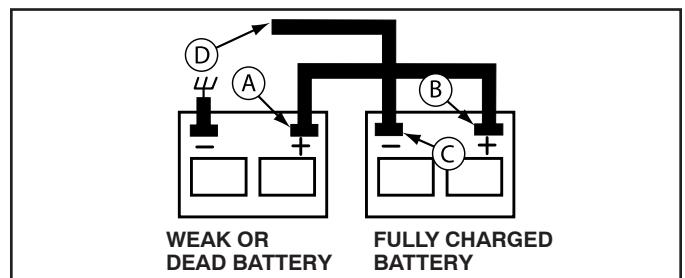


Fig. 37

SERVICE AND ADJUSTMENTS

REPLACING BATTERY (See Fig. 38)



WARNING: Do not short battery terminals by allowing a wrench or any other object to contact both terminals at the same time. Before connecting battery, remove metal bracelets, wristwatch bands, rings, etc. Positive terminal must be connected first to prevent sparking from accidental grounding.

- Lift seat pan to raised position.
- Disconnect BLACK battery cable first then RED battery cable and carefully remove battery from tractor.
- Install new battery with terminals in same position as old battery.
- First connect RED battery cable to positive (+) terminal with bolt and nut as shown. Tighten securely. Slide terminal cover over terminal.
- Connect BLACK grounding cable to negative (-) terminal with remaining bolt and nut. Tighten securely.
- Lower seat pan.

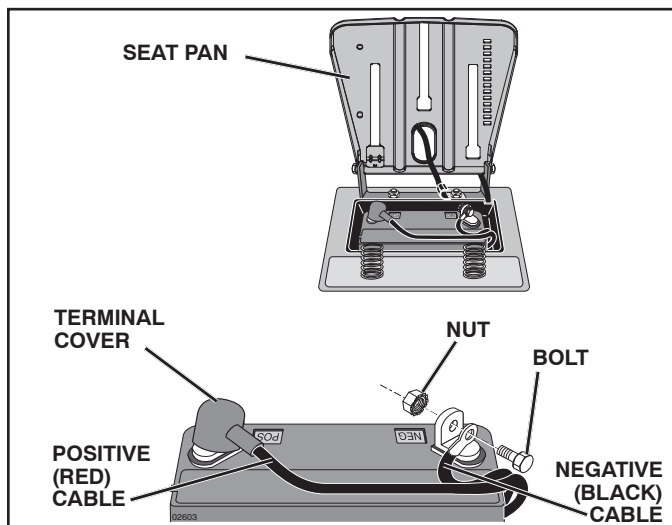


Fig. 38

TO REPLACE HEADLIGHT BULB

- Raise hood.
- Pull bulb holder out of the hole in the backside of the grill.
- Replace bulb in holder and push bulb holder securely back into the hole in the backside of the grill.
- Close hood.

INTERLOCKS AND RELAYS

Loose or damaged wiring may cause your tractor to run poorly, stop running, or prevent it from starting.

- Check wiring.

TO REPLACE FUSE

Replace with 20 amp automotive-type plug-in fuse. The fuse holder is located behind the dash.

TO REMOVE HOOD & GRILL ASSEMBLY (See Fig. 39)

1. Raise hood.
2. Unsnap headlight wire connector.
3. Remove retainer clip and washer from right hand pivot pin.
4. Stand in front of tractor. Grasp hood at sides and slide left removing hood from pivot pins and lift hood off of tractor.
5. When replacing hood, reconnect the headlight wire connector, and reinstall the washer and retainer clip on the right hand pivot pin.

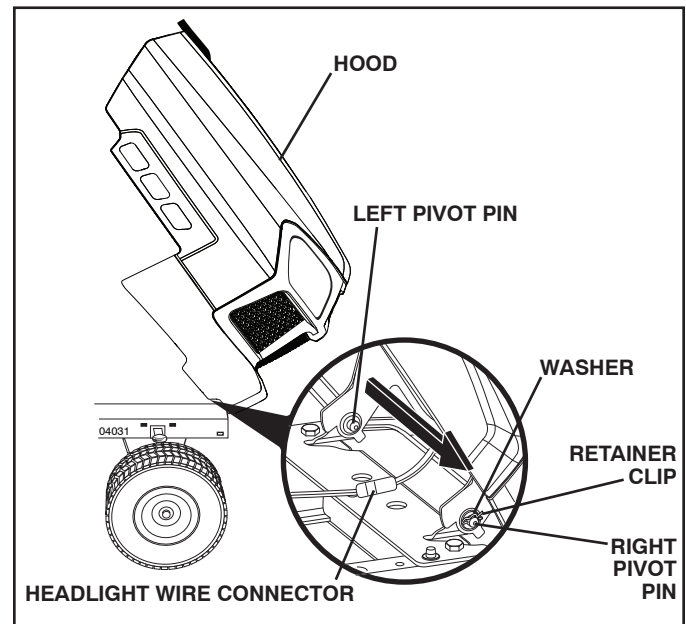


Fig. 39

ENGINE

TO ADJUST THROTTLE CONTROL CABLE

The throttle control has been preset at the factory and adjustment should not be necessary. If adjustment is necessary, see engine manual.

TO ADJUST CHOKE CONTROL

The choke control has been preset at the factory and adjustment should not be necessary. If adjustment is necessary, see engine manual.

STORAGE

Immediately prepare your tractor for storage at the end of the season or if the tractor will not be used for 30 days or more.



WARNING: Never store the tractor with gasoline in the tank inside a building where fumes may reach an open flame or spark. Allow the engine to cool before storing in any enclosure.

TRACTOR

Remove mower from tractor for winter storage. When mower is to be stored for a period of time, clean it thoroughly, remove all dirt, grease, leaves, etc. Store in a clean, dry area.

- Clean entire tractor. (See “CLEANING” in the Maintenance section of this manual.)
- Inspect and replace belts, if necessary. (See belt replacement instructions in the Service and Adjustments section of this manual.)
- Lubricate as shown in the Maintenance section of this manual.
- Ensure all nuts, bolts and screws are securely fastened. Inspect moving parts for damage, breakage and wear. Replace if necessary.
- Touch up all rusted or chipped paint surfaces; sand lightly before painting.

BATTERY

- Fully charge the battery for storage.
- After a period of time in storage, battery may require recharging.
- To help prevent corrosion and power leakage during long periods of storage, battery cables should be disconnected and battery cleaned thoroughly. (See “TO CLEAN BATTERY AND TERMINALS” in the Maintenance section of this manual.)
- After cleaning, leave cables disconnected and place cables where they cannot come in contact with battery terminals.
- If battery is removed from tractor for storage, do not store battery directly on concrete or damp surfaces.
- If unit is equipped with battery indicator/charging plug, an optional charging unit may be purchased and connected to the unit to charge the battery during long term storage. Inspect and clean the battery terminals as needed prior to long term storage with charger connected.

ENGINE

FUEL SYSTEM

IMPORTANT: IT IS IMPORTANT TO PREVENT GUM DEPOSITS FROM FORMING IN ESSENTIAL FUEL SYSTEM PARTS SUCH AS CARBURETOR, FUEL FILTER, FUEL HOSE, OR TANK DURING STORAGE. ALSO, EXPERIENCE INDICATES THAT ALCOHOL BLENDED FUELS (CALLED GASOHOL OR USING ETHANOL OR METHANOL) CAN ATTRACT MOISTURE WHICH LEADS TO SEPARATION AND FORMATION OF ACIDS DURING STORAGE. ACIDIC GAS CAN DAMAGE THE FUEL SYSTEM OF AN ENGINE WHILE IN STORAGE.

- Empty the fuel tank by starting the engine and let it run until the fuel lines and carburetor are empty.
- Never use engine or carburetor cleaner products in the fuel tank or permanent damage may occur.
- Use fresh fuel next season.

NOTE: Fuel stabilizer is an acceptable alternative in minimizing the formation of fuel gum deposits during storage. Add stabilizer to gasoline in fuel tank or storage container. Always follow the mix ratio found on stabilizer container. Run engine at least 10 minutes after adding stabilizer to allow the stabilizer to reach the carburetor. Do not empty the gas tank and carburetor if using fuel stabilizer.

ENGINE OIL

Drain oil (with engine warm) and replace with clean engine oil. (See “ENGINE” in the Maintenance section of this manual.)

CYLINDER(S)

- Remove spark plug(s).
- Pour one ounce (29.5 mL) of oil through spark plug hole(s) into cylinder(s).
- Turn ignition key to “START” position for a few seconds to distribute oil.
- Replace with new spark plug(s).

OTHER


- Do not store gasoline from one season to another.
- Replace your gasoline can if your can starts to rust. Rust and/or dirt in your gasoline will cause problems.
- If possible, store your tractor indoors and cover it to give protection from dust and dirt.
- Cover your tractor with a suitable protective cover that does not retain moisture. Do not use plastic. Plastic cannot breathe which allows condensation to form and will cause your tractor to rust.

IMPORTANT: NEVER COVER TRACTOR WHILE ENGINE AND EXHAUST AREAS ARE STILL WARM.

TROUBLESHOOTING

PROBLEM	CAUSE	CORRECTION
Will not start	<ol style="list-style-type: none"> 1. Out of fuel. 2. Engine not "CHOKED" properly. 3. Engine flooded. 4. Bad spark plug. 5. Dirty air filter. 6. Dirty fuel filter. 7. Water in fuel. 8. Loose or damaged wiring. 9. Engine valves out of adjustment. 	<ol style="list-style-type: none"> 1. Fill fuel tank. 2. See "TO START ENGINE" in Operation section. 3. Wait several minutes before attempting to start. 4. Replace spark plug. 5. Clean/replace air filter. 6. Replace fuel filter. 7. Empty fuel tank and carburetor, refill tank with fresh gasoline and replace fuel filter. 8. Check all wiring. 9. Contact an authorized service center/department.
Hard to start	<ol style="list-style-type: none"> 1. Dirty air filter. 2. Bad spark plug. 3. Weak or dead battery. 4. Dirty fuel filter. 5. Stale or dirty fuel. 6. Loose or damaged wiring. 7. Engine valves out of adjustment. 	<ol style="list-style-type: none"> 1. Clean/replace air filter. 2. Replace spark plug. 3. Recharge or replace battery. 4. Replace fuel filter. 5. Empty fuel tank and refill tank with fresh, clean gas. 6. Check all wiring. 7. Contact an authorized service center/department.
Engine will not turn over	<ol style="list-style-type: none"> 1. Brake pedal not depressed. 2. Attachment clutch is engaged. 3. Weak or dead battery. 4. Blown fuse. 5. Corroded battery terminals. 6. Loose or damaged wiring. 7. Faulty ignition switch. 8. Faulty solenoid or starter. 9. Faulty operator presence switch(es). 	<ol style="list-style-type: none"> 1. Depress brake pedal. 2. Disengage attachment clutch. 3. Recharge or replace battery. 4. Replace fuse. 5. Clean battery terminals. 6. Check all wiring. 7. Check/replace ignition switch. 8. Check/replace solenoid or starter. 9. Contact an authorized service center/department.
Engine clicks but will not start	<ol style="list-style-type: none"> 1. Weak or dead battery. 2. Corroded battery terminals. 3. Loose or damaged wiring. 4. Faulty solenoid or starter. 	<ol style="list-style-type: none"> 1. Recharge or replace battery. 2. Clean battery terminals. 3. Check all wiring. 4. Check/replace solenoid or starter.
Loss of power	<ol style="list-style-type: none"> 1. Cutting too much grass/too fast. 2. Throttle in "CHOKE" position. 3. Build-up of grass, leaves, trash under mower. 4. Dirty air filter. 5. Low oil level/dirty oil. 6. Faulty spark plug. 7. Dirty fuel filter. 8. Stale or dirty fuel. 9. Water in fuel. 10. Spark plug wire loose. 11. Dirty engine air screen/fins. 12. Dirty/clogged muffler. 13. Loose or damaged wiring. 14. Engine valves out of adjustment. 	<ol style="list-style-type: none"> 1. Raise cutting height/reduce speed. 2. Adjust throttle control. 3. Clean underside of mower housing. 4. Clean/replace air filter. 5. Check oil level/change oil. 6. Clean and regap or change spark plug. 7. Replace fuel filter. 8. Empty fuel tank and refill tank with fresh, clean gas. 9. Empty fuel tank and carburetor, refill tank with fresh gasoline and replace fuel filter. 10. Connect and tighten spark plug wire. 11. Clean engine air screen/fins. 12. Clean/replace muffler. 13. Check all wiring. 14. Contact an authorized service center/department.
Excessive vibration	<ol style="list-style-type: none"> 1. Worn, bent or loose blade. 2. Bent blade mandrel. 3. Loose/damaged part(s). 	<ol style="list-style-type: none"> 1. Replace blade. Tighten blade bolt. 2. Replace blade mandrel. 3. Tighten loose part(s). Replace damaged parts.

TROUBLESHOOTING

PROBLEM	CAUSE	CORRECTION
Engine continues to run when operator leaves seat with attachment clutch engaged	<ol style="list-style-type: none"> 1. Faulty operator-safety presence control system. 	<ol style="list-style-type: none"> 1. Check wiring, switches and connections. If not corrected, contact an authorized service center/department. <p> CAUTION: DO NOT operate machine until problem is corrected.</p>
Poor cut - uneven	<ol style="list-style-type: none"> 1. Worn, bent or loose blade. 2. Mower deck not level. 3. Buildup of grass, leaves, trash under mower. 4. Bent blade mandrel. 5. Clogged mower deck vent holes from buildup of grass, leaves, and trash around mandrels. 	<ol style="list-style-type: none"> 1. Replace blade. Tighten blade bolt. 2. Level mower deck. 3. Clean underside of mower housing. 4. Replace blade mandrel. 5. Clean around mandrels to open vent holes.
Mower blades will not rotate	<ol style="list-style-type: none"> 1. Obstruction in clutch mechanism. 2. Worn/damaged mower drive belt. 3. Frozen idler pulley. 4. Frozen blade mandrel. 	<ol style="list-style-type: none"> 1. Remove obstruction. 2. Replace mower drive belt. 3. Replace idler pulley. 4. Replace blade mandrel.
Poor grass discharge	<ol style="list-style-type: none"> 1. Engine speed too slow. 2. Travel speed too fast. 3. Wet grass. 4. Mower deck not level. 5. Low/uneven tire air pressure. 6. Worn, bent or loose blade. 7. Buildup of grass, leaves, trash under mower. 8. Mower drive belt worn. 9. Blades improperly installed. 10. Improper blades used. 11. Clogged mower deck vent holes from buildup of grass, leaves, trash around mandrels. 	<ol style="list-style-type: none"> 1. Place throttle control in "FAST" position. 2. Shift to slower speed. 3. Allow grass to dry before mowing. 4. Level mower deck. 5. Check tires for proper air pressure. 6. Replace blade. Tighten blade bolt. 7. Clean underside of mower housing. 8. Replace mower drive belt. 9. Reinstall blades sharp edge down. 10. Replace with blades listed in parts manual. 11. Clean around mandrels to open vent holes.
Headlight(s) not working (if so equipped)	<ol style="list-style-type: none"> 1. Switch is "OFF". 2. Bulb(s) or lamp(s) burned out. 3. Faulty light switch. 4. Loose or damaged wiring. 5. Blown fuse. 	<ol style="list-style-type: none"> 1. Turn switch "ON". 2. Replace bulb(s) or lamp(s). 3. Check/replace light switch. 4. Check wiring and connections. 5. Replace fuse.
Battery will not charge	<ol style="list-style-type: none"> 1. Bad battery cell(s). 2. Poor cable connections. 3. Faulty regulator (if so equipped). 4. Faulty alternator. 	<ol style="list-style-type: none"> 1. Replace battery. 2. Check/clean all connections. 3. Replace regulator. 4. Replace alternator.
Loss of drive	<ol style="list-style-type: none"> 1. Freewheel control in "disengaged" position. 2. Debris on steering plate (if equipped). 3. Motion drive belt worn, damaged, or broken. 4. Axle key missing. 	<ol style="list-style-type: none"> 1. Place freewheel control in "engaged" position. 2. See "CLEANING" in the Maintenance section. 3. Replace motion drive belt. 4. Install axle key at rear wheel. See "TO REMOVE WHEEL" in the Service and Adjustments section.
Engine "backfires" when turning engine "OFF"	<ol style="list-style-type: none"> 1. Engine throttle control not set between half and full speed (fast) position before stopping engine. 	<ol style="list-style-type: none"> 1. Move throttle control between half and full speed (fast) position before stopping engine.
Engine dies when tractor is shifted into reverse	<ol style="list-style-type: none"> 1. Reverse operation system (ROS) is not "ON" while mower or other attachment is engaged. 	<ol style="list-style-type: none"> 1. Turn ignition key to ROS "ON" position. See Operation section.

SERVICE NOTES

GENERAL: Craftsman products are warranted to be free from defects in materials or workmanship for a specific time period as set-out below (the "Warranty Period"). Warranties extend to the original purchaser of a Craftsman product only. Purchases made through an online auction or through any website other than www.sears.ca are excluded. The relevant Warranty Period commences on the original date of purchase. Within this period, SEARS CANADA, Inc. will, at its sole option, repair or replace any products or components which fail in normal use. Such repairs or replacement will be made at no charge to the customer for parts or labor, provided that the customer shall be responsible for any transportation cost.

EXCLUSIONS: This warranty does not cover failures due to normal wear, abuse, misuse, neglect (including but not limited to the use of stale fuel, dirt, abrasives, moisture, rust, corrosion, or any adverse reaction due to improper storage or use habits), improper maintenance or failure to follow maintenance guidelines and/or instructions, failure to operate the product in accordance with the owner's manual or any additional instructions or information provided at the time of purchase or in subsequent communications with the original purchaser, accident or unauthorized alterations or repairs made or attempted by others. Also excluded from warranty coverage - except as provided below - are the following: maintenance, adjustments, components subject to wear including but not limited to: cosmetic components, belts, blades, blade adapters, bulbs, tires, filters, guide bars, lubricants, seats, grips, recoil assy's, saw chains and bars, trimmer lines and spools, spark plugs, starter ropes and tines, and discoloration resulting from ultraviolet light. Any product missing the model and/or serial number identification label will be disqualified from coverage under this warranty.

REPAIRS: Repairs have a 90 day warranty. If the defective product is still within the Warranty Period, then the new warranty is 90 days from the date of repair or to the end of the original Warranty Period, whichever period is longer.

DISCLAIMERS: THE WARRANTIES AND REMEDIES CONTAINED HEREIN ARE EXCLUSIVE AND IN LIEU OF ALL OTHER WARRANTIES, WHETHER ORAL OR WRITTEN (OTHER THAN AS STATED HEREIN), AND WHETHER EXPRESS, IMPLIED OR STATUTORY, INCLUDING BUT NOT LIMITED TO ANY. THIS WARRANTY GIVES YOU SPECIFIC LEGAL RIGHTS, WHICH MAY VARY FROM PROVINCE TO PROVINCE.

IN NO EVENT SHALL SEARS BE LIABLE FOR ANY INCIDENTAL, SPECIAL, INDIRECT OR CONSEQUENTIAL DAMAGES, WHETHER RESULTING FROM THE USE, MISUSE OR INABILITY TO USE THE PRODUCT OR FROM DEFECTS IN THE PRODUCT. THE EXCLUSIONS IN THIS PARAGRAPH SHALL NOT APPLY IN JURISDICTIONS WHERE APPLICABLE LAW DOES NOT ALLOW FOR THE EXCLUSION OF INCIDENTAL OR CONSEQUENTIAL DAMAGES. IN SUCH JURISDICTIONS, THIS PARAGRAPH SHALL NOT APPLY, BUT THE REMAINING PROVISIONS OF THIS DOCUMENT SHALL REMAIN VALID.

SEARS retains the exclusive right to repair or replace the product or offer a full refund of the purchase price at its sole discretion. SUCH REMEDY SHALL BE YOUR SOLE AND EXCLUSIVE REMEDY FOR ANY BREACH OF WARRANTY.

CUSTOMER RESPONSIBILITIES: In addition to complying with all suggested maintenance guidelines and instructions, customers' obligations shall include but shall not be limited to: operating the product in accordance with the owner's manual or any additional instructions or information provided at the time of purchase or in subsequent communications to the purchaser from time to time, exhibit reasonable care in the use, operation, maintenance, general upkeep and storage of the product. Failure to comply with these requirements will void any applicable warranty.

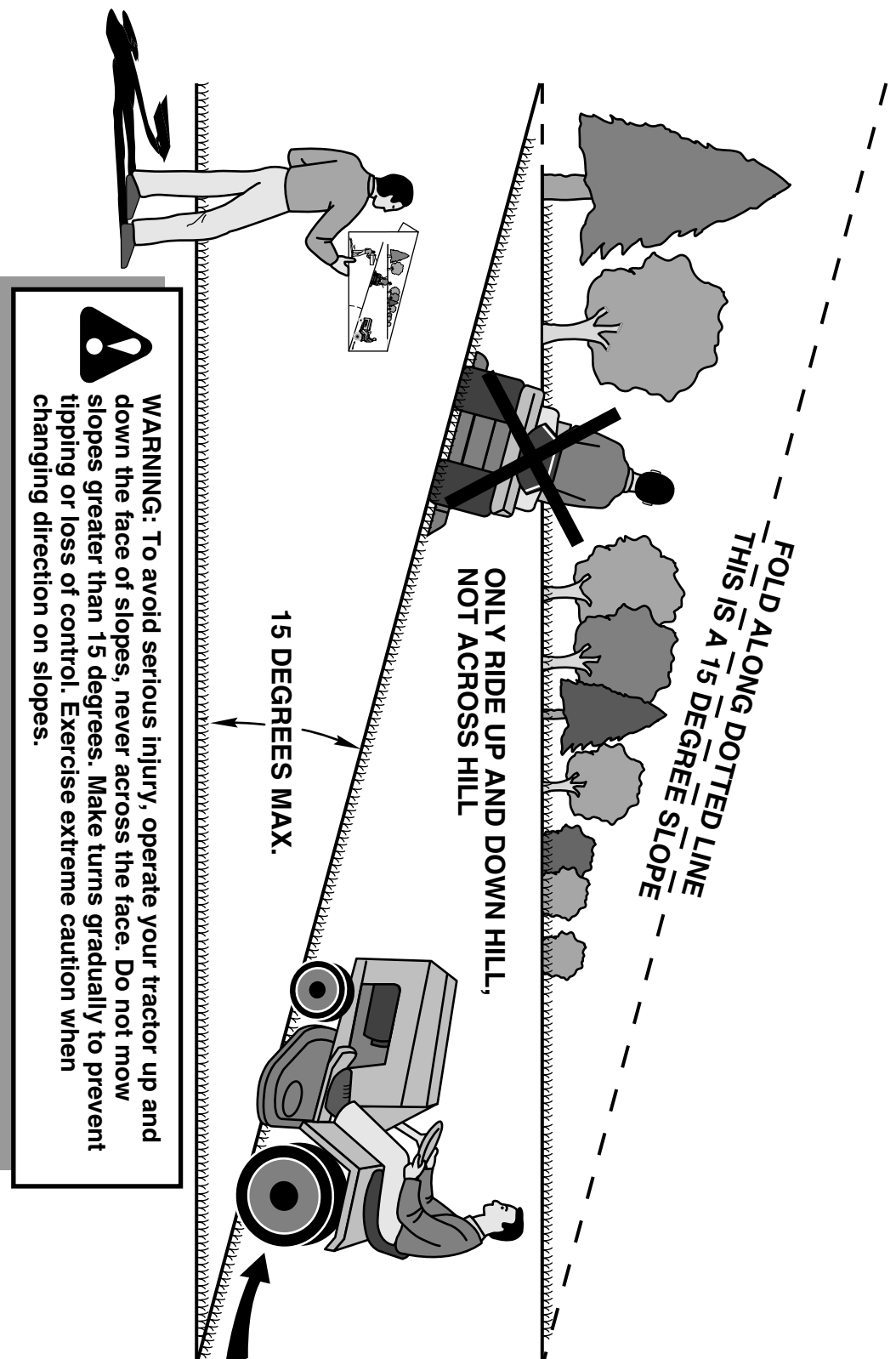
LIST OF APPLICABLE WARRANTY PERIODS: The following list contains the applicable Warranty Period for your Craftsman product and is based on a combination of the type of product or component and the intended and actual use of the product or component:

1. **90 DAYS:** Craftsman products intended for use or actually used for commercial, institutional, professional or income-producing purposes
2. **2 YEARS:** Craftsman riding lawn mowers, yard and garden tractors, walk behind mowers, tillers, brush cutters, snow blowers, handheld blowers, backpack blowers, hedge trimmers and electrical products for noncommercial, nonprofessional, non-institutional, or non-income-producing use, except for those components which are part of engine systems manufactured by third party engine manufacturers for which the purchase has received a separate warranty with product information supplied at the time of purchase.
3. **1 YEAR:** Craftsman power cutters, stump grinders, pole pruners, gas chain saws, electric chain saws, trimmer attachments, baggers and pole saws for noncommercial, nonprofessional, non-institutional, or non-income-producing use.
4. **90 DAYS:** All defective batteries, which will be replaced during this 90-day Warranty Period.
5. **60 DAYS:** Additional Warranty Period of 60 days will apply to adjustments and worn products or components BUT DOES NOT INCLUDE WEAR OR ADJUSTMENTS for products used for commercial, institutional, professional or income-producing purposes. Wear items include but are not limited to: belts, blades, tires, spark plugs, air filters, chains, shear bolts, skid plates, scraper bars, drift cutters, ropes, tines, collection bags and pulleys.

As the Warranty Period runs from the date of purchase and NOT from the date that a product is delivered, opened, assembled or first used, please ensure during this time period that your product or component has been assembled and tested for correction operation regardless of when you intend to actually use it. Claims made after the Warranty Period has expired will not be honored.

PROOF OF PURCHASE/DOCUMENTATION: Warranty coverage is conditioned upon the original purchaser furnishing SEARS CANADA or its authorized third party service provider if applicable, with the original sales receipt or other adequate written proof of the original purchase date and identification of the product. In the event that the original purchaser is unable to provide a company of the original sales receipt, SEARS CANADA Inc. reserves the right to determine in its sole discretion what other written proof of the original purchase date and identification of the product is acceptable.

SUGGESTED GUIDE FOR SIGHTING SLOPES FOR SAFE OPERATION



Get it fixed, at your home or ours!

Just Call:

1-800-4-MY-HOME[®]

(1-800-469-4663)

24 hours a day, 7 days a week

For the repair of major brand appliances **in your own home...**
no matter who made it, no matter who sold it!

For your nearest **Sears Parts and Service** location,
to bring in products like vacuums, lawn equipment and electronics.

For **Sears Parts & Service**, to order the replacement parts,
accessories and owner's manuals that you need to do-it-yourself.

www.sears.ca

To purchase or inquire about a Sears Maintenance Agreement, call:

1-800-361-6665

9 a.m. – 11 p.m. Mon. – Fri., EST, 9 a.m. – 4 p.m. Sat.

Pour service en français:

1-800-LE-FOYER^{MC}

(1-800-533-6937)

www.sears.ca



® / TM Trademarks of Sears Brands Management Corporation used under license by Sears Canada

^{MC} Marque déposée / ^{MC} Marque de commerce de Sears Brands Management Corporation utilisée en vertu d'une licence de Sears Canada

Faites-le réparer, à domicile ou à l'atelier!

Téléphonez au:
1-800-LE-FOYER^{MC}
(1-800-533-6937)
24 heures par jour, 7 jours par semaine

Pour la réparation des appareils électroménagers de grandes marques
à votre domicile ... peu importe le fabricant ou le détaillant!

Pour connaître l'emplacement du **Service des pièces et de l'entretien**
Sears le plus proche afin d'apporter à l'atelier des produits tels que
des aspirateurs, tondeuses à gazon ou appareils électroniques.

Pour connaître le no. de téléphone du **Service des pièces et de l'entretien**
Sears afin de commander les pièces de rechange, accessoires et
manuels d'instructions requis pour effectuer vous-même les réparations.

www.sears.ca

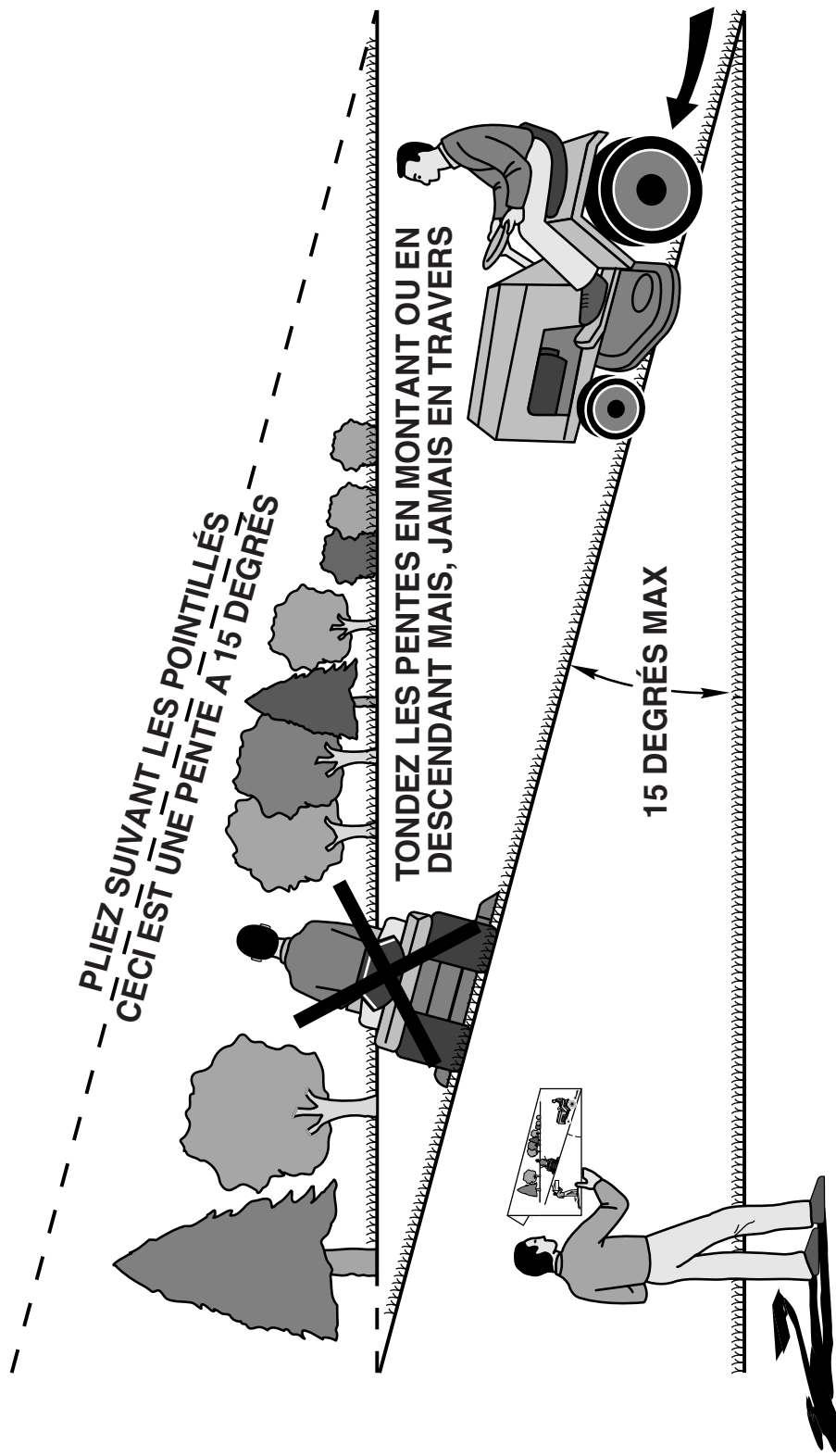
Pour acheter ou demander des renseignements
sur un contrat d'entretien Sears, téléphonez au:
1-800-361-6665

de 9 h à 23 h du lundi au vendredi (HNE), de 9 h à 16 h le samedi

For service in English:
1-800-4-MY-HOME[®]
(1-800-469-4663)
www.sears.ca



GUIDE SUGGÈRE POUR L'ÉVALUATION DES PENTES AFIN D'AMÉLIORER LA SÉCURITÉ D'UTILISATION



AVERTISSEMENT: Pour éviter de vous blesser gravement, utilisez votre tracteur parallèlement à la pente, jamais transversalement. N'affrontez pas de pentes de plus de 15 degrés. Effectuez les virages graduellement afin d'éviter le renversement ou la perte de contrôle. Soyez extrêmement prudent quand vous changez de directions sur les pentes.

1. Pliez cette page suivant les pointillées, comme précédemment.
2. Tenez cette page devant vous, avec le côté gauche parallèle à un tronc d'arbre ou à tout autre structure verticale.
3. Regardez à travers la pliure dans la direction de la pente que vous entendez mesurer.
4. Comparez l'angle de la pliure avec la pente de la colline.

GÉNÉRALITÉS : Les produits Craftsman sont garantis contre tout défaut de matériaux ou de fabrication pendant une période de temps précise, telle qu'établie ci-dessous (la « période de garantie »). En outre, cette garantie est offerte uniquement à l'acheteur initial du produit Craftsman. Les achats effectués par l'entremise d'un encan en ligne ou sur tout site Web autre que www.sears.ca sont exclus. La période de garantie débute à la date de l'achat initial. Au cours de cette période, Sears Canada, Inc. s'engage, à sa seule discrétion, à réparer ou à remplacer tout produit ou composant de produit défectueux dans des conditions d'utilisation normale. La réparation ou le remplacement sera effectué pour le client sans frais de pièces ni de main-d'œuvre, à condition que le client prenne à sa charge les frais de transport.

EXCLUSIONS : La présente garantie ne couvre pas les défectosités dues à l'usage normale, l'utilisation inappropriée ou abusive, la négligence (y compris sans y restreindre, l'utilisation d'essence éventuelle, la poussière, les abrasifs, l'humidité, la rouille, la corrosion ou tout autre effet indésirable, imputable à un entreposage ou à des habitudes d'utilisation inappropriées), un mauvais entretien, le non-respect des consignes de maintenance, l'utilisation de l'appareil contrairement aux instructions fournies dans le manuel d'entretien ou aux consignes ou informations données à l'acheteur initial, au moment de l'achat ou au cours de communications subséquentes avec lui, un accident ou encore une modification ou des réparations non autorisées, effectuées ou tentées par d'autres. Sont également exclus de la couverture de la garantie - sauf indication fournie ci-dessous - les éléments suivants : trapeaux, réglages, composants sujets à l'usure, y compris mais sans s'y restreindre : les composants esthétiques, courroies, lames, adaptateurs de lame, ampoules, pneus, filtres, barres de guidage, lubrifiants, sièges, poignées, logements de cordon de démarrage, chaînes et barres de scie, bobines et fils de tondue à touet, bougies, cordes de démarrage et dents, ainsi que les décolorations résultant de l'exposition aux rayons ultraviolets. Tout produit ne portant pas son étiquette d'identification avec son numéro de modèle ou de série sera exclu de la protection offerte par la présente garantie.

RÉPARATIONS : Les réparations sont garanties pendant une période de 90 jours. Si le produit défectueux est toujours couvert par la garantie, la nouvelle garantie est de 90 jours à compter de la date de la réparation ou jusqu'à la fin de la période de garantie initiale, selon la plus longue des deux échéances.

RESTRICTIONS : LES GARANTIES ET RECOURS DÉFINIS DANS LES PRÉSENTES SONT EXCLUSIFS ET REMPLACENT TOUTE AUTRE GARANTIE, QUELLE SOIT VERBALE OU ÉCRITE (AUTRE QUE CELLES ÉNONCÉES DANS LES PRÉSENTES) OU QUELLE SOIT EXPRIMÉE, IMPLICITE OU PRÉVUE PAR LA LOI, SANS SE RESTREINDRE À AUCUNE. LA PRÉSENTE GARANTIE VOUS CONFÈRE DES DROITS JURIDIQUES PRÉCIS, POUVANT DIFFÉRER D'UNE PROVINCE À L'AUTRE. SEARS NE POURRA EN AUCUN CAS ÊTRE TENUE RESPONSABLE DE TOUT DOMMAGE ACCESSOIRE, SPÉCIAL, INDIRECT OU CONSÉCUTIF, QUI RÉSULTERAIT DE L'UTILISATION, DU MÉSUSAGE OU DE L'INCAPACITÉ D'UTILISER LE PRODUIT OU QUI DÉCOULERAIT DE DÉFECTOSITÉS DU PRODUIT. LES EXCLUSIONS DU PRÉSENT PARAGRAPHE NE S'APPLIQUENT PAS DANS LES TERRITOIRES OU LA LOI NE PERMET PAS L'EXCLUSION DES DOMMAGES ACCESSOIRES OU CONSÉCUTIFS. DANS CES TERRITOIRES, LE PRÉSENT PARAGRAPHE SERA SANS EFFET, MAIS LES AUTRES DISPOSITIONS DU PRÉSENT DOCUMENT DEMURERONT VALIDES.

Sears conserve le droit exclusif de réparer ou de remplacer le produit ou encore d'offrir un remboursement complet de son prix d'achat, à sa seule discrétion. CE RECOURS SERA LE SEUL ET UNIQUE RECOURS DONT VOUS DISPOSEREZ EN CAS D'INEXÉCUTION QUELLE QUELLE SOIT DE LA GARANTIE. En plus d'observer toutes les consignes et directives d'entretien, le client doit s'acquitter, entre autres, des obligations suivantes : utiliser le produit conformément aux consignes de la notice d'entretien et aux directives ou informations additionnelles fournies à l'acheteur au moment de l'achat ou à l'occasion de communications subséquentes ; faire preuve d'un soin raisonnable pour l'utilisation, le fonctionnement, l'entretien général, le maintien en bon état et l'entreposage du produit. Le manquement à ces obligations entraînera une annulation de la garantie applicable.

LISTE DES PÉRIODES DE GARANTIE APPLICABLES : La liste ci-dessous indique la période de garantie applicable aux divers produits Craftsman qu'elle couvre ; la période accordée tient compte du type de produit ou de composants et du type d'utilisation prévue ou effective de l'appareil ou du composant :

1. **90 JOURS** - Produits Craftsman devant être ou étant effectivement utilisés à des fins commerciales, institutionnelles, professionnelles ou lucratives.

2. **2 ANS** - Les produits de marque Craftsman suivants : tondeuses à conducteur porté, tracteurs de jardin, tondeuses à contrôle arrière, motobèches, débroussaillieurs, souffleuses à neige, souffleuses portatives, souffleuses, taille-bordures et produits électriques à usage non commercial, non professionnel, non institutionnel ou non lucratif, sauf les composants faisant partie de systèmes de moteur fabriqués par des tiers pour lesquels l'acheteur a reçu une garantie séparée ainsi que des renseignements sur le produit, au moment de l'achat.

3. **1 AN** - Produits de marque Craftsman suivants : coupeaux électriques, broyeuses de souches, ébranchoirs, scies à chaîne à essence, scies à chaîne électriques, accessoires de taille-bordures, sacs et scies à long manche utilisées à des fins non commerciales, non professionnelles, non institutionnelles et non lucratives.

4. **90 JOURS** - Toutes les batteries défectueuses, qui seront remplacées pendant une période de garantie de 90 jours.

5. **60 JOURS** - Une période de garantie supplémentaire de 60 jours s'appliquera pour le réglage ou l'usure de produits ou de composants MAIS CETTE GARANTIE EXCLUT L'USURE ET LE RÉGLAGE de produits utilisés à des fins commerciales, institutionnelles, professionnelles ou lucratives. Les articles sujets à l'usure englobent, sans s'y restreindre : les courroies, lamers, pneus, bougies, filtres à air, chaînes, boudins de cisaillement, plaques de protection, barres de raclage, coupe-congrès, cordons, dents, sacs collecteurs et poules.

Étant donné que la période de garantie débute à la date d'achat et NON à la date à laquelle le produit est livré, l'emballage ouvert et l'appareil assemblé ou utilisé la première fois, assurez-vous que votre produit ou composant est assemblé et mis à l'essai pour en vérifier le bon fonctionnement, quel que soit le moment où vous prévoyez commencer à l'utiliser réellement. Les réclamations présentées après l'expiration de la garantie ne seront pas acceptées.

PRÉVUE D'ACHAT ET DOCUMENTS : La protection de la garantie est conditionnelle à la présentation par l'acheteur initial, à Sears Canada ou à son fournisseur de service autorisé s'il y a lieu, de la facture ou de toute autre preuve d'achat approuvée indiquant la date de l'achat et désignant le produit. Dans le cas où l'acheteur initial serait dans l'impossibilité de fournir une copie de sa facture, Sears Canada Inc. se réserve le droit d'établir, à sa seule discrétion, quelle autre preuve écrite de la date d'achat initial et de la désignation du produit est acceptable.

GUIDE DE DÉPANNAGE

PROBLÈME	CAUSE	CORRECTION
Le moteur marche- lorsque le conduit leur quitte le siège avec l'embrayage d'accessoire engagé	1. Le système qui détecte la présence du con- ducteur est défectueux.	1. Vérifiez le câblage, les interrupteurs et les connex- ions. Si le problème n'est pas corrigé, contactez un centré d'entretien autorisé.
Coupe inégale	1. La lame est usée, tordue ou lâche. 2. Le carter de tondeuse n'est pas équilibré. 3. Il y a une accumulation d'herbe, de feuilles, et de débris sous la tondeuse. 4. Un mandrin de lame est tordu. 5. Les trous d'évent du carter de tondeuse sont ob- strués par l'accumulation de l'herbe, de feuilles, et de débris autour des mandrins.	1. Remplacez la lame. Serrez le boulon de lame. 2. Nivelez le carter de tondeuse. 3. Nettoyez dessous du boîtier de tondeuse. 4. Remplacez le mandrin de lame. 5. Nettoyez les faces de mandrin pour ouvrir les trous d'évent.
Les lames de tondeuse tournent pas	1. Une obstruction dans le mécanisme d'embrayage. 2. La courroie d'entraînement de tondeuse est usée ou endommagée. 3. Galet-tendeur grippé. 4. Un mandrin de lame grippé.	1. Enlevez l'obstruction. 2. Remplacez la courroie d'entraînement de tondeuse. 3. Remplacez le galet-tendeur. 4. Remplacez le mandrin de lame.
Mauvaise décharge de l'herbe	1. La vitesse de moteur est trop lente. 2. La vitesse de course est trop rapide. 3. Herbe humide. 4. Le carter de tondeuse n'est pas équilibré. 5. La pression des pneus est basse ou inégale. 6. La lame est usée, tordue ou lâche. 7. Il y a une accumulation d'herbe, de feuilles, et de débris sous la tondeuse. 8. La courroie d'entraînement de tondeuse est usée. 9. Les lames n'ont pas été correctement montées. 10. Les mauvaises lames ont été montées. 11. Les trous d'évent du carter de tondeuse sont ob- strués par l'accumulation de l'herbe, de feuilles, et de débris autour des mandrins.	1. Déplacez la commande des gaz à la position rapide (FAST). 2. Changez à une vitesse plus lente. 3. Laissez sécher l'herbe avant de tondre. 4. Nivelez le carter de tondeuse. 5. Vérifiez la pression des pneus. 6. Remplacez la lame ou affûtez-la. Serrez le boulon de lame. 7. Nettoyez dessous du boîtier de tondeuse. 8. Remplacez la courroie d'entraînement de tondeuse. 9. Réinstallez les lames avec le bord tranchant vers le bas. 10. Remplacez les lames avec les lames recommandées dans ce manuel. 11. Nettoyez les faces de mandrin pour ouvrir les trous d'évent.
Les phares n'allument pas (si muni)	1. L'interrupteur est à la position d'arrêt (OFF). 2. Ampoule(s) ou lampe(s) grillées. 3. L'interrupteur des phares est défectueux. 4. Le câblage est lâche ou endommagé. 5. Fusible sauté.	1. Mettez l'interrupteur à la position marche (ON). 2. Remplacer l'ampoule(s) ou lampe(s). 3. Vérifiez/remplacez l'interrupteur des phares. 4. Vérifiez le câblage et les connexions. 5. Remplacez le fusible.
La batterie ne charge pas	1. Mauvais élément(s) de la batterie. 2. Mauvaises connexions du câble. 3. Régulateur défectueux (si muni d'un). 4. Alternateur défectueux.	1. Remplacez la batterie. 2. Vérifiez/remplacez toutes les connexions. 3. Remplacez le régulateur. 4. Remplacez l'alternateur.
Une perte d'entraînement	1. La commande de la roue libre est en position débrayée. 2. Débris est sur la plaque de direction. (Si équipé) 3. Courroie d'entraînement de déplacement est usagée, endommagée, ou cassée. 4. Clé carrée d'axe est manquante.	1. Mettez la commande de la roue libre en position engagée. 2. Voyez "NETTOYAGE" dans la section Entretien de ce manuel. 3. Remplacez la courroie d'entraînement de déplacement. 4. Réinstallez la clé carrée d'axe. (Voyez "POUR ENLEVER LES ROUES" dans la section Révision et Réglages de ce manuel.)
Pétarade au silenc- ieux quand le moteur est coupé (OFF).	1. La commande des gaz de moteur n'est pas dans la position intermédiaire (entre rapide (FAST) et lent) avant de couper le moteur.	1. Déplacez la commande des gaz dans la position intermédiaire (entre rapide et lent) avant de couper le moteur.
La tondeuse (ou son accessoire) s'arrêt- e lorsque le tracteur pa- sse en marche arrière	1. Système de fonctionnement en marche arrière (HOS) est dans la position OFF.	1. Tournez le ROS dans la position ON.

GUIDE DE DÉPANNAGE

PROBLÈME	CAUSE	CORRECTION
Le moteur refuse de démarrer	<ol style="list-style-type: none"> 1. Sans essence. 2. Le moteur n'est pas démarré à froid correctement. 3. Le moteur est noyé. 4. Mauvaise bougie d'allumage. 5. Filtre à air sale. 6. Filtre d'essence sale. 7. Il y a de l'eau dans l'essence. 8. Le câblage est lâche ou endommagé. 9. Les soupapes de moteur demandent un réglage. 	<ol style="list-style-type: none"> 1. Remplissez le réservoir d'essence. 2. Référez-vous à la section "POUR DÉMARRER LE MOTEUR" dans la section "fonctionnement". 3. Attendez quelques minutes avant d'essayer de démarrer. 4. Remplacez la bougie d'allumage. 5. Nettoyez/remplacez le filtre à air. 6. Remplacez le filtre d'essence. 7. Vidangez l'essence du réservoir et du carburateur, remplissez le réservoir avec de l'essence fraîche, et remplacez le filtre d'essence. 8. Vérifiez tout le câblage. 9. Contactez un centre d'entretien autorisé.
Démarrage difficile	<ol style="list-style-type: none"> 1. Filtre à air sale. 2. Mauvaise bougie d'allumage. 3. Batterie faible ou à plat. 4. Filtre d'essence sale. 5. L'essence sale ou vieille. 6. Le câblage est lâche ou endommagé. 7. Les soupapes de moteur demandent un réglage. 	<ol style="list-style-type: none"> 1. Nettoyez/remplacez le filtre à air. 2. Remplacez la bougie d'allumage. 3. Rechargez ou remplacez la batterie. 4. Remplacez le filtre d'essence. 5. Vidangez l'essence du réservoir et remplissez avec de l'essence fraîche. 6. Vérifiez tout le câblage. 7. Contactez un centre d'entretien autorisé.
Moteur ne tourne pas	<ol style="list-style-type: none"> 1. La pédale de frein/embrayage n'est pas baissée. 2. L'embrayage d'accèssoire est à la position embrayée. 3. Batterie faible ou à plat. 4. Fusible sauté. 5. Les bornes de batterie sont corrodées. 6. Le câblage est lâche ou endommagé. 7. Le contacteur d'allumage est défectueux. 8. Le solénoïde ou le démarreur est défectueux. 9. L'interrupteur qui détecte la présence du contacteur est défectueux. 	<ol style="list-style-type: none"> 1. Appuyez sur la pédale de frein/embrayage. 2. Débrayez l'embrayage d'accèssoire. 3. Rechargez ou remplacez la batterie. 4. Remplacez le fusible. 5. Nettoyez les bornes de batterie. 6. Vérifiez tout le câblage. 7. Vérifiez/remplacez le contacteur d'allumage. 8. Vérifiez/remplacez le solénoïde ou le démarreur. 9. Contactez un centre d'entretien autorisé.
Il y a un dé clic mais le moteur ne démarre pas	<ol style="list-style-type: none"> 1. Batterie faible ou à plat. 2. Les bornes de batterie sont corrodées. 3. Le câblage est lâche ou endommagé. 4. Le solénoïde ou le démarreur est défectueux. 	<ol style="list-style-type: none"> 1. Rechargez ou remplacez la batterie. 2. Nettoyez les bornes de batterie. 3. Vérifiez tout le câblage. 4. Vérifiez/remplacez le solénoïde ou le démarreur.
Le moteur manque de puissance	<ol style="list-style-type: none"> 1. Vous tondez trop d'herbe/la vitesse de la tondeuse est trop rapide. 2. La commande des gaz est à la position étrangleur. 3. Il y a une accumulation d'herbe, de feuilles, et de déchets sous la tondeuse. 4. Filtre à air sale. 5. Niveau d'huile bas/huile sale. 6. La bougie d'allumage est défectueuse. 7. Filtre d'essence sale. 8. L'essence sale ou vieille. 9. Il y a de l'eau dans l'essence. 	<ol style="list-style-type: none"> 1. Mettez à la position de coupe plus haute ou réduisez la vitesse. 2. Réglez la commande des gaz. 3. Nettoyez dessous du boîtier de tondeuse. 4. Nettoyez/remplacez le filtre à air. 5. Vérifiez le niveau d'huile/changez l'huile. 6. Nettoyez, ajustez l'écartement ou remplacez la bougie d'allumage. 7. Remplacez le filtre d'essence. 8. Vidangez l'essence du réservoir et remplissez le réservoir avec de l'essence fraîche. 9. Vidangez l'essence du réservoir et du carburateur, et remplacez le filtre d'essence.
Vibrations excessives de la tondeuse	<ol style="list-style-type: none"> 1. Un fil lâche sur la bougie d'allumage. 10. Tamis d'air du moteur/ailettes sont sales. 12. Silencieux sale ou encrassé. 13. Le câblage est lâche ou endommagé. 14. Les soupapes du moteur demandent un réglage. 	<ol style="list-style-type: none"> 1. Remplacez la lame. Serrez à fond le boulon de lame. 2. Remplacez le mandrin de lame. 3. Serrez les pièces lâches. Remplacez les pièces endommagées.

ENTREPOSAGE

MOTEUR

SYSTEME D'ESSENCE

IMPORTANT: C'EST TRÈS IMPORTANT D'ÉVITER LA FORMATION DES DÉPÔTS DE GOMME DANS LE CARBURATEUR, LE FILTRE D'ESSENCE, LE TUYAU D'ESSENCE OU LE RÉSERVOIR D'ESSENCE PENDANT L'ENTREPOSAGE. L'EXPÉRIENCE DÉMONTRE QUE LES CARBURANTS QUI SONT MÉLANGÉS AVEC DE L'ALCOOL (ETHANOL OU METHANOL ET PARFOIS APPELÉS GÁSOHOL) PEUVENT ATTIRER L'HUMIDITÉ QUI CAUSE LA SÉPARATION ET LA FORMATION D'ACIDE PENDANT L'ENTREPOSAGE. L'ESSENCE ACIDE PEUT AVARIER LE SYSTÈME DE CARBURANT DU MOTEUR PENDANT L'ENTREPOSAGE.

- Vidangez le réservoir d'essence en mettant en marche le moteur et le laissant courir jusqu'à ce que les conduites d'essence et le carburateur soient vides.
- N'utilisez jamais les produits spéciaux pour nettoyer le moteur et le carburateur dans le réservoir d'essence. L'emploi de ces produits pourrait causer des dégâts permanents.
- Utilisez de l'essence fraîche l'année suivante.

REMARQUE: Un stabilisateur d'essence est une option acceptée pour minimiser la formation des dépôts de gomme de carburant pendant l'entreposage. Ajoutez le stabilisateur à l'essence dans le réservoir d'essence ou dans le bidon de carburant. Suivez toujours le dosage de mélange inscrit sur le bidon de stabilisateur. Laissez tourner le moteur pendant au moins 10 minutes après avoir ajouté le stabilisateur pour lui permettre d'atteindre le carburateur. Ne vidangez pas le réservoir d'essence et le carburateur si le stabilisateur d'essence est utilisé.

HUILE DE MOTEUR

Vidangez l'huile (quand le moteur est chaud) et remplacez avec de l'huile de moteur fraîche. (Voir la section "MOTEUR" dans la section Entretien de ce manuel.)

CYLINDRES)

- Enlevez la(s) bougie(s) d'allumage.
- Versez 29,5 mL (1 OZ.) d'huile par l'orifice(s) de bougie d'allumage dans le(s) cylindre(s).
- Tournez la clé d'allumage à la position de démarrage (START) pendant quelques secondes pour répartir l'huile.
- Remplacez avec une nouvelle bougie d'allumage.

INFORMATION SUPPLÉMENTAIRE

- Ne conservez pas d'essence d'une saison à l'autre.
- Remplacez le bidon d'essence s'il commence à rouiller. La présence de rouille et/ou la saleté dans l'essence causera des problèmes.
- Entreposez le tracteur à l'intérieur, si possible, et couvrez-le pour le protéger de la poussière et de la saleté.
- Couvrez le tracteur avec une couverture perméable. N'utilisez pas une couverture en plastique. Le plastique obstrue la circulation d'air et permet la formation de condensation qui fera rouiller le tracteur.

IMPORTANT: NE COUVREZ JAMAIS LE TRACTEUR QUAND LE MOTEUR ET LES ENDRROITS D'ÉCHAPPEMENT SONT ENCORE CHAUDS.

TRACTEUR


Enlevez la tondeuse du tracteur quand vous l'entreposez pour l'hiver. Quand la tondeuse doit être entreposée pendant une longue période de temps, nettoyez-la à fond, enlevez toutes la saleté, la graisse, les feuilles, etc. Entreposez le tracteur dans un endroit propre et sec.

- Nettoyez le tracteur entier. (Voir la section Nettoyage dans la section Entretien de ce manuel.)
- Inspectez, et si nécessaire, remplacez les courroies. (Référez-vous aux instructions de remplacement de la courroie dans la section Entretien et Réglages de ce manuel.)
- Lubrifiez comme illustré dans la section Entretien de ce manuel.
- Assurez-vous que tous les écrous, les boulons, et les vis soient bien fixés. Vérifiez toutes les pièces mobiles pour l'avarie, le bris, et l'usure. Remplacez-les si nécessaire.
- Retouchez toutes les surfaces peintes si elles se sont rouillées ou éraflées; sabbiez légèrement au papier émeri avant de peindre.

BATTERIE

- Chargez complètement la batterie avant d'entreposer.
- Il est parfois nécessaire de recharger la batterie après une longue période d'entreposage.
- Pour éviter la corrosion et les fuites de puissance pendant une longue période d'entreposage, les câbles de batterie devraient être débranchés et la batterie devrait être nettoyée à fond. (Voir la section "POUR NETTOYER LA BATTERIE ET LES BORNES" dans la section Entretien de ce manuel.)
- Après le nettoyage, laissez les câbles débrancher et mettez-les où ils ne peuvent pas entrer en contact avec les bornes de batterie.
- Si la batterie est enlevée du tracteur pour l'entreposage, ne mettez pas la batterie directement sur une surface bétonnée ou humide.
- Si l'unité est munie d'une prise de charge/d'indicateur de la batterie, vous pouvez acheter une unité de chargement optionnelle et la connecter à l'unité pour charger la batterie pendant un entreposage à long terme. Inspectez et nettoyez les terminaux de la batterie, s'il y a lieu, avant un entreposage à long terme lorsque le chargeur est connecté.

Préparez immédiatement votre tracteur pour l'entreposage à la fin de la saison ou si le tracteur ne sera pas utilisé pendant une période de 30 jours ou plus.



AVERTISSEMENT: N'entreposez jamais le tracteur dans un bâtiment lorsque le réservoir contient de l'essence dont les vapeurs pourraient entrer en contact avec une flamme nue ou une étincelle. Laissez le moteur refroidir avant de l'entreposer dans une enceinte.

RÉVISION ET RÉGLAGES

REPLACER LA BATTERIE (voir la Fig. 38)

AVERTISSEMENT: Ne court-circuitez pas les bornes de batterie par permettre qu'une clé ou autres objets entrent en contact avec les deux bornes à la même fois. Avant d'installer la batterie, enlevez tous les bijoux, les bracelets de montre, les bagues métalliques, etc. Au début la borne positive doit être branchée pour prévenir les étincelles d'une mise à la masse accidentelle.



- Levez la bac du siège à la position élevée.
- Premièrement débranchez le câble de batterie NOIR et ensuite le câble de batterie ROUGE et enlevez la batterie du tracteur.
- Installez la nouvelle batterie avec les bornes dans la même place comme vieille batterie.
- Premièrement branchez le câble de batterie ROUGE à la borne positive (+) avec un boulon H et écrou à taquets comme monté. Serrez à fond. Glissez la couverture borne au-dessus de la borne
- Branchez le câble de masse de batterie NOIR à la borne négative (-) avec le boulon H et écrou à taquets qui restent. Serrez à fond.

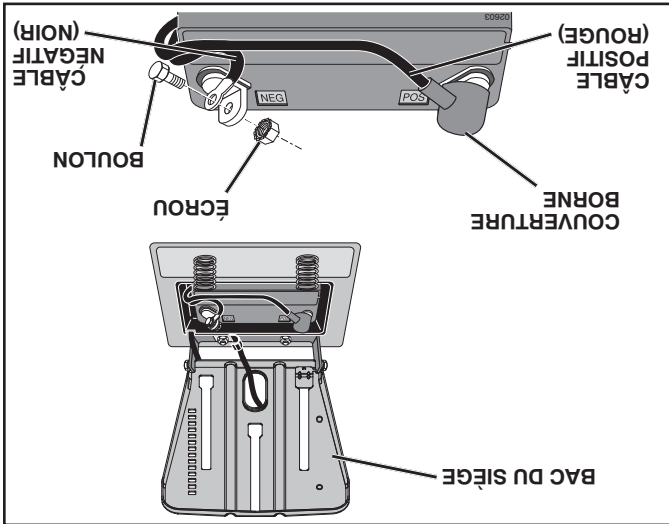


Fig. 38

POUR REMPLACER L'AMPOULE DES PHARES

- Soulevez le capot.
- Dégagez de la douille d'ampoule de l'arrière de la calandre.
- Réinstallez l'ampoule dans la douille et poussez à fond la douille d'ampoule dans l'orifice à l'arrière de la calandre.
- Fermez le capot.

VERROUS ET RELAIS

Un câblage desserré ou avarié peut être la cause du mauvais fonctionnement, de l'arrêt ou du non-démarrage du tracteur. Vérifiez le câblage.

POUR REMPLACER LE FUSIBLE

Remplacez par un fusible enfichable de type automobile, de 20A. Le porte-fusible est situé directement derrière le tableau de bord.

POUR ENLEVER LE CAPOT ET LA CALANDRE (voir la Fig. 39)

1. Soulevez le capot.
2. Débranchez le connecteur de fil du phare.
3. Retirez l'agrafe de retenue et la rondelle du tourillon droit.
4. Mettez-vous devant le tracteur. Attrapez le capot par les côtés et glissez-le vers la gauche en décrochant le capot du tourillon et soulevez le capot du tracteur.
5. En replaçant le capot, rebranchez le connecteur de fil du phare et réinstallez la rondelle et l'agrafe de retenue sur le tourillon droit.

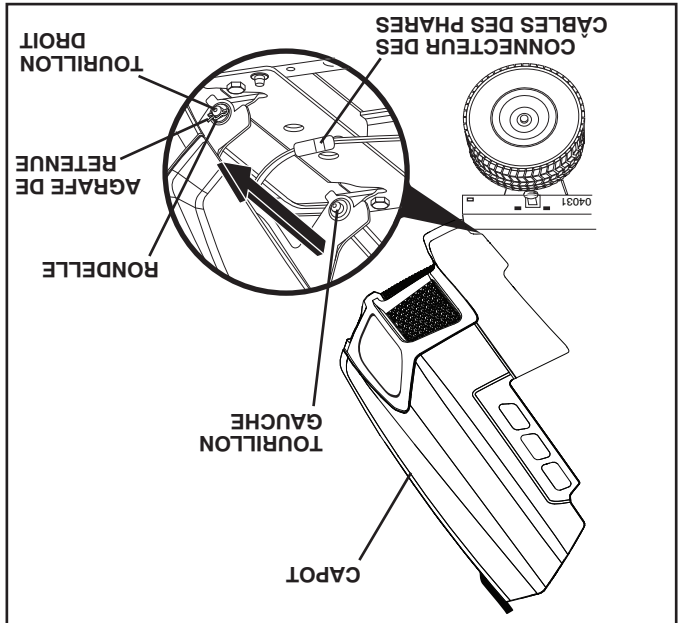


Fig. 39

MOTEUR

POUR RÉGLER LE CÂBLE DE LA COMMANDE DES GAZ

La commande des gaz a été pré-réglée à l'usine et un réglage ne devrait pas être nécessaire. Si un réglage est nécessaire, voir le manuel du moteur.

POUR RÉGLER LA COMMANDE DU STARTER

La commande du starter a été pré-réglée à l'usine et un réglage ne devrait pas être nécessaire. Si un réglage est nécessaire, voir le manuel du moteur.

RÉGLAGE DU LEVIER DE CONTRÔLE DU DE LA BOÎTE DE VITESSES (Voir la Fig. 34 et 35)

- Le levier de contrôle de la boîte de vitesses est réglé au moment de la fabrication et n'a donc pas besoin d'autres réglages.
- Actionnez le levier de la commande de roue libre. (Suivez la procédure décrite en "POUR TRANSPORTER LE TRACTEUR" au chapitre UTILISATION de ce manuel.)
- Déplacez le levier de contrôle du mouvement jusqu'à ce que l'engin roule librement.
- Gardez le levier dans la position ci-dessus, desserrez le boulon de réglage;
- Déplacez le levier de contrôle au point mort (vanne de fermeture);
- Vissez à fond le boulon de réglage.
- REMARQUE:** S'il faut plus d'espace pour atteindre le boulon de réglage, réglez la hauteur de la tondeuse à la position la plus basse.

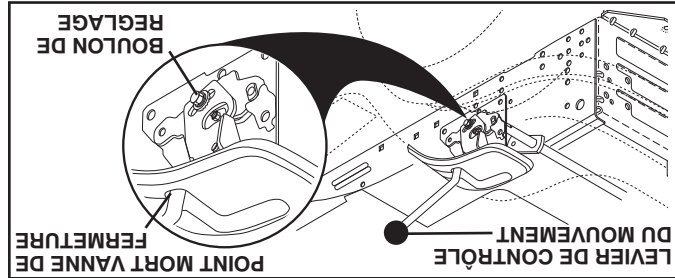


Fig. 34

- Si le tracteur continue à glisser progressivement vers l'avant ou vers l'arrière après ce réglage, effectuez les opérations ci-dessous:
- Faites descendre le levier de levage de l'accessoire dans sa position la plus basse.
- Déplacez la plaque de changement de vitesse sur la partie avant de la transmission pour que la ligne de centre de la zone extrudée soit alignée sur le bras de frein dynamique. (Voir La Fig. 35.)
- Gardez le levier dans la position ci-dessus, desserrez le boulon de réglage;
- Déplacez le levier de contrôle au point mort (vanne de fermeture).
- Vissez à fond le boulon de réglage.

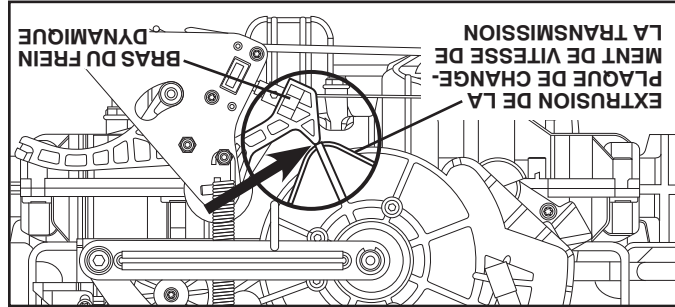


Fig. 35

POUR ENLEVER LES ROUES (Voir la Fig. 36)

- Fixez solidement des cales sous l'essieu.
- Enlevez le couvre-essieu, la bague de retenue et les rondelles pour permettre l'enlèvement de la roue (la roue arrière contient une clé carrée - ne la perdez pas).
- Réparez le pneu et rassemblez-le.
- Sur les roues arrière seulement: alignez les rainures dans le moyeu de roue arrière et l'essieu. Insérez la clé carrée.
- Reinstallez les rondelles et insérez à fond la bague de retenue dans la rainure d'essieu.

- Reinstallez le couvre-essieu.
- REMARQUE:** Pour boucher les crevaisons de pneus et pour prévenir les pneus à plat à cause des fuites, vous pouvez acheter un obturateur pour pneu chez votre distributeur de pièces. Ect obturateur prévient aussi l'assèchement et la corrosion du pneu.

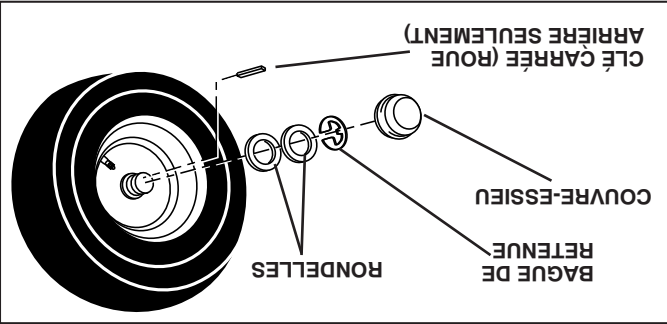
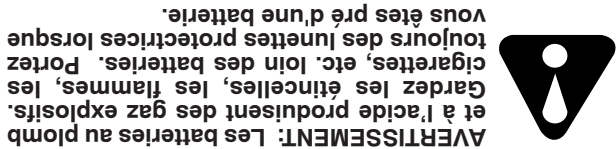


Fig. 36

POUR DÉMARRER LE MOTEUR AVEC UNE BATTERIE FAIBLE (Voir la Fig. 37)



AVERTISSEMENT: Les batteries au plomb et à l'acide produisent des gaz explosifs. Gardez les étincelles, les flammes, les cigarettes, etc. loin des batteries. Portez toujours des lunettes protectrices lorsque vous êtes près d'une batterie.

- Si votre batterie est trop faible pour démarrer le moteur, elle devrait être rechargée. (Voir "BATTERIE" dans la section Entretien de ce manuel.)
- Si vous utilisez des "câbles de survoltage" pour un démarrage d'urgence, voici le procédé à suivre:
- IMPORTANT:** VOTRE TRACTEUR EST MUNI D'UN SYSTÈME DE 12 VOLTS. L'AUTRE VÉHICULE DOIT AUSSI AVOIR UN SYSTÈME DE 12 VOLTS. N'UTILISEZ PAS LA BATTERIE DU TRACTEUR POUR DÉMARRER LES AUTRES VÉHICULES.
- POUR ATTACHER LES CÂBLES DE DÉMARRAGE -**

- Branchez chaque extrémité du câble ROUGE à la borne (A-B) POSITIVE (+) de chaque batterie (en faisant bien attention de ne pas court-circuiter contre le châssis).
- Branchez une extrémité du câble NOIR à la borne (C) NÉGATIVE (-) de la batterie complètement chargée.
- Branchez l'autre extrémité du câble NOIR (D) au châssis mis à la masse. Maintenez les câbles loin du réservoir d'essence et de la batterie.
- POUR ENLEVER LES CÂBLES, RENVERSER LES PROCÉDÉS -**
- Débranchez d'abord le câble NOIR du châssis et ensuite de la batterie complètement chargée.
- Débranchez ensuite le câble ROUGE des deux batteries.

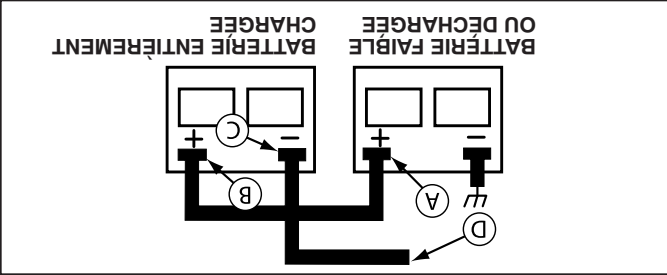


Fig. 37

RÉVISION ET RÉGLAGES

POUR REMPLACER LA COURROIE DE LAME DE TONDEUSE (voir la Fig. 32)

La courroie d'entraînement de lame de tondeuse peut être remplacée sans outils. Garez le tracteur sur un terrain plat. Engagez le frein de stationnement.

ENLEVER LA COURROIE -

- Enlevez la tondeuse du tracteur (Voir "POUR ENLEVER LA TONDEUSE" dans cette section de ce manuel.)
- Manœuvrez la courroie loin des deux poulies de mandrin et des poulies de galet-tendeur.
- Dégagez la courroie de la tondeuse.

INSTALLER LA COURROIE -

- Installez la nouvelle courroie autour des deux poulies de mandrin et des poulies de galet-tendeur.
- Assurez-vous que la courroie soit dans toutes les rainures de la poulie et dans toutes les guides de la courroie.
- Installez la tondeuse (Voir "POUR INSTALLER LA TONDEUSE" dans cette section de ce manuel.)

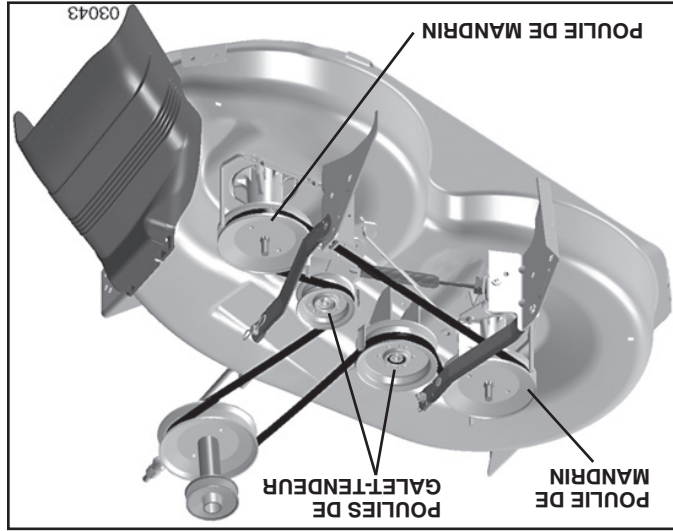


Fig. 32

POUR VÉRIFIER LES FREINS

À vitesse normale et sur une surface de niveau en ciment ou pavée, si plus de 1,5 m (5 pieds) sont nécessaires pour arrêter le tracteur, vous devez faire vérifier les freins.

Vous pouvez également vérifier les freins ainsi :

1. Stationnez le tracteur sur une surface de niveau en ciment ou pavée, abaissez complètement la pédale de frein/d'embrayage et actionnez le frein de stationnement.
2. Désenclenchez la transmission en plaçant le contrôle de roue libre à la position « transmission désengagée » (transmission désenclenchée). Tirez sur le contrôle de roue libre et placez-le dans la rainure et relâchez-le de façon à ce qu'il soit dans la position désenclenchée.

Les roues arrière doivent être bloquées et déraper lorsque vous tentez de pousser le tracteur vers l'avant. Si les roues arrière tournent, les freins doivent être vérifiés. Communiquez avec Sears ou un centre d'entretien professionnel.

CONVERGENCE DES ROUES AVANT/CARROSSAGE ROSAGE

La convergence et le carrossage des roues avant ne sont pas réglable sur votre tracteur. Si des dommages affectent la convergence ou le carrossage des roues avant, contactez le centre d'entretien autorisé le plus proche.

POUR REMPLACER LA COURROIE D'ENTRAÎNEMENT (voir la Fig. 33)

Stationnez le tracteur sur une surface de niveau. Actionnez le frein de stationnement. En cas de besoin, un autocollant servant de guide à l'installation de la courroie se trouve sur le dessous du repose-pied gauche.

RETIRER LA COURROIE

1. Retirez la tondeuse (voir « POUR ENLEVER LA TONDEUSE » dans la présente section du manuel).
- REMARQUE** : Jetez un œil sur l'ensemble de la courroie et la position de tous les guides et dispositifs de retenue.
2. Retirez la courroie de la poulie de tension fixe (A) et la poulie d'embrayage (B).
3. Retirez la courroie de la poulie de tension centrale (C).
4. Tirez la courroie libre vers l'arrière du tracteur. Retirez soigneusement la courroie de la poulie d'entrée de la transmission vers le haut et sur les lames du ventilateur (D).
5. Enlevez la courroie de la poulie motrice vers le bas (E).
6. Faites glisser la courroie vers l'arrière du tracteur, à l'extérieur de la plaque de direction (F) et retirez-la du tracteur.

INSTALLATION DE LA COURROIE -

1. Installez une nouvelle courroie en partant de l'arrière du tracteur vers l'avant, sur la plaque de direction (F) et au-dessus de l'arbre de la pédale de frein/d'embrayage (G).
2. Tirez la courroie vers l'avant du tracteur et enroulez-la autour de la poulie moteur (E).
3. Tirez la courroie vers l'arrière du tracteur. Enroulez soigneusement la courroie sous le ventilateur de la transmission et sur la poulie d'entrée (D). Assurez-vous que la courroie est bien à l'intérieur du dispositif de retenue.
4. Installez la courroie sur la poulie de tension centrale (C).
5. Faites passer la courroie dans la poulie de tension fixe (A) et la poulie d'embrayage (B).
6. Assurez-vous que la courroie est bien en place dans les rainures des poulies, ainsi que les guides et les dispositifs de retenue.

Installez la tondeuse. (Voir « POUR INSTALLER LA TONDEUSE » dans la présente section du manuel.)

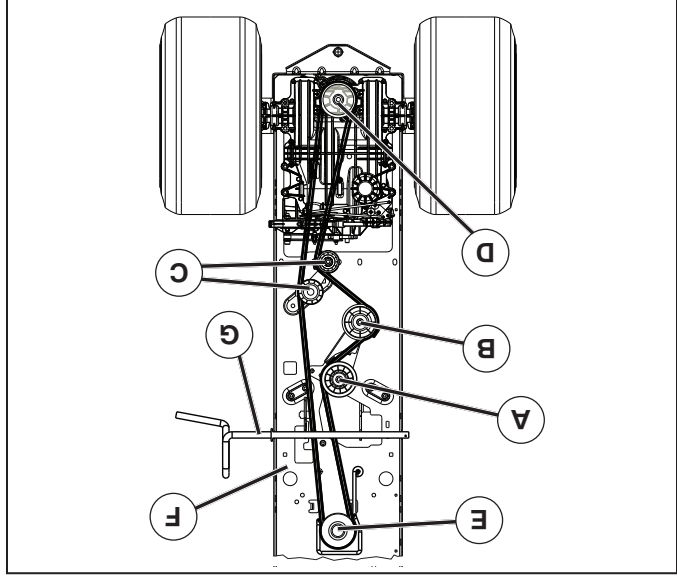


Fig. 33

RÉVISION ET RÉGLAGES

POUR AJUSTER LE NIVEAU LA TONDEUSE

Assurez-vous que les pneus soient gonflés jusqu'à la pression en PSI indiquée sur ceux-ci. S'ils sont trop ou pas assez gonflés, ceci peut affecter l'apparence de votre pelouse et vous faire croire que votre tondeuse n'est pas ajustée correctement.

AJUSTEMENT LATÉRAL VISUEL (Voir la Fig. 28)

Assurez-vous que vos pneus soient gonflés adéquatement. Si votre pelouse ne semble pas coupée de façon uniforme, déterminez quel côté de la tondeuse coupe plus bas.

REMARQUE : Vous pouvez soulever le côté abaissé de la tondeuse ou abaisser le côté surélevé, tel que désiré. Allez du côté où un ajustement est nécessaire. À l'aide d'une clé ajustable ou de 3/4", tournez l'écrou de réglage de la bielle de levage (A) vers la gauche pour abaisser la tondeuse, ou vers la droite pour la soulever.

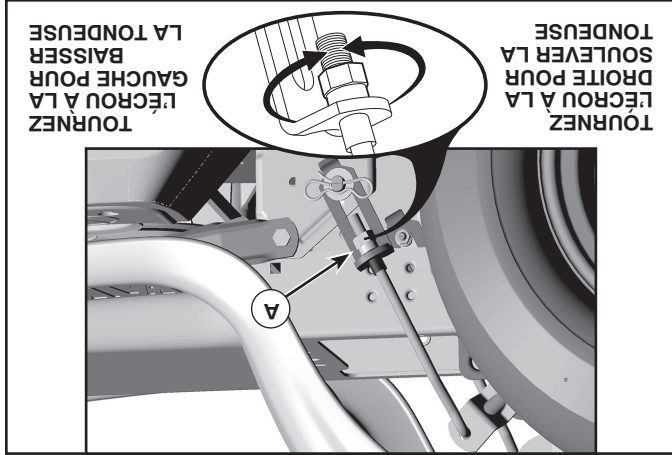


Fig. 28

REMARQUE : Chaque tour complet de l'écrou de réglage modifie la hauteur de la tondeuse d'environ 4,7 mm (3/16 po.).

- Vérifiez l'ajustement en tondant de la pelouse non coupée et en vérifiant son apparence. Faites un autre ajustement si nécessaire, jusqu'à ce que vous soyez satisfait du résultat.
- **AJUSTEMENT LATÉRAL DE PRÉCISION** (Voir la Fig. 29) Assurez-vous que vos pneus sont adéquatement gonflés, puis stationnez le tracteur sur un terrain de niveau ou une entrée de cour.

ATTENTION : Les lames sont tranchantes. Enveloppez vos mains en portant des gants ou en utilisant un tissu épais.

- Soulevez la tondeuse à sa position la plus haute.
- D'un côté et de l'autre de la tondeuse, placez la lame de côté et mesurez la distance (A) du bord inférieur de la lame jusqu'au sol. La distance devrait être la même des deux côtés.
- Si un ajustement est nécessaire, voyez les étapes des instructions d'ajustement visuel ci-dessus.
- Vérifiez de nouveau les mesures, ajustez si nécessaires jusqu'à ce que les deux côtés soient égaux.

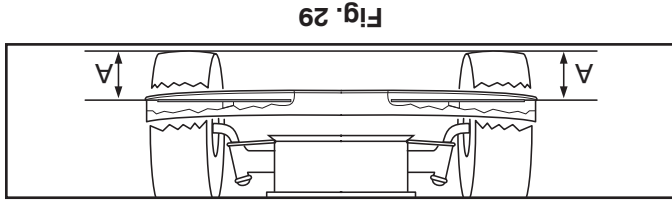


Fig. 29

AJUSTEMENT AVANT/ARRIÈRE (Voir les Figs. 30 et 31)

IMPORTANT : La plateforme doit être au même niveau d'un côté et de l'autre.

Pour obtenir de meilleurs résultats, les lames de la tondeuse doivent être ajustées de sorte que la pointe avant est 3,1 to 12,7 mm (1/8 à 1/2 po.) inférieure à la pointe arrière lorsque la tondeuse est à sa position la plus élevée.

ATTENTION : Les lames sont tranchantes. Protégez vos mains en portant des gants ou en utilisant un tissu épais.

- Soulevez la tondeuse à sa position la plus haute.
- Placez n'importe quelle lame de façon à ce que la pointe soit vers l'avant. Mesurez la distance (B) au sol à la pointe avant et la pointe arrière de la lame.

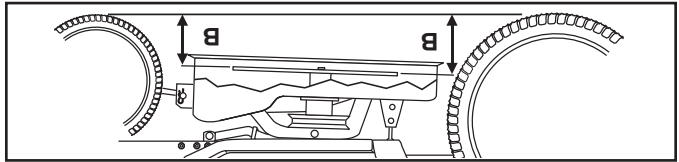


Fig. 30

- Si la pointe avant de la lame n'est pas de 3,1 to 12,7 mm (1/8 à 1/2 po.) plus basse que la pointe arrière, allez à l'avant du tracteur.

- À l'aide d'une clé ajustable ou de 11/16", dévissez l'écrou de serrage (A) pour dépasser l'écrou de réglage (B).
- À l'aide d'une clé ajustable ou de 3/4", faites tourner l'écrou de réglage de la bielle de levage (B) dans le sens horaire (↻) (visser) pour soulever l'avant de la tondeuse ou dans le sens antihoraire (↺) (dévisser) pour abaisser l'avant de la tondeuse.

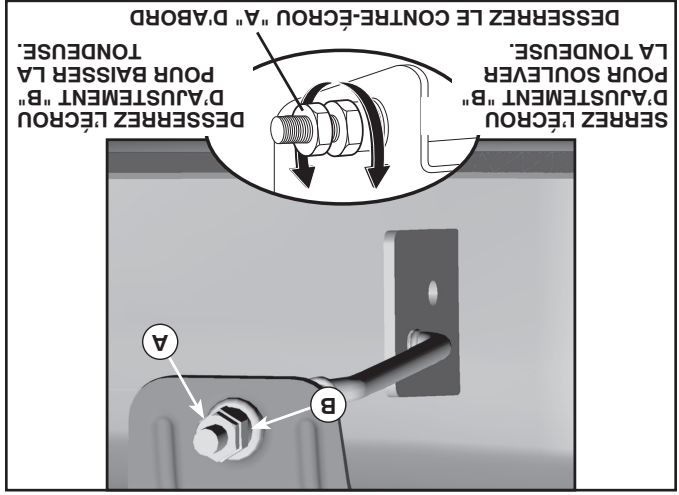


Fig. 31

REMARQUE : Chaque tour complet de l'écrou de réglage modifie la hauteur de la tondeuse d'environ 3,1 mm (1/8 po.).

- Vérifiez de nouveau les mesures, ajustez si nécessaire jusqu'à ce que la pointe avant de la lame est 3,1 to 12,7 mm (1/8 à 1/2 po.) inférieure à la pointe arrière.
- Maintenez l'écrou de réglage en place avec la clé et serrez le contre-écrou fermement contre l'écrou de réglage.

RÉVISION ET RÉGLAGES

- **FIXEZ LES BRAS DE SUSPENSION LATÉRAUX DE LA TONDEUSE AU CHÂSSIS** – Placez l'orifice du bras sur la tige (B) à l'extérieur du châssis du tracteur et fixez solidement à l'aide d'une rondelle et d'un ressort-arrêt (J).
- Répétez de l'autre côté du tracteur.

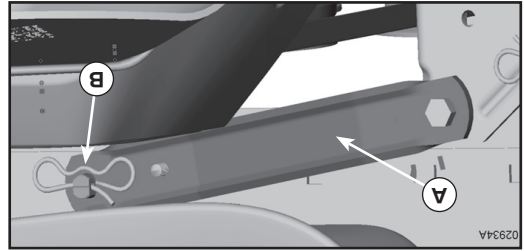


Fig. 23

- **ATTACHEZ LES BIELLES ARRIÈRES (C)** – Soulevez le coin arrière de la tondeuse et positionnez la rainure du bras sur la tige (D) du support arrière de la tondeuse et fixez fermement à l'aide d'une rondelle et d'un ressort-arrêt.
- Répétez de l'autre côté du tracteur.

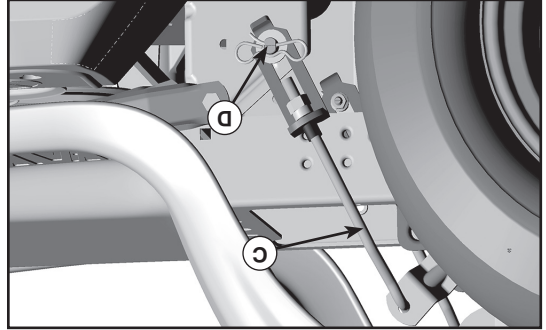


Fig. 24

- **FIXEZ LA BIELLE AVANT (E)** – Commencez à la gauche du tracteur. Insérez l'embout de l'assemblage de la bielle dans l'orifice avant du support de suspension avant du tracteur (F).

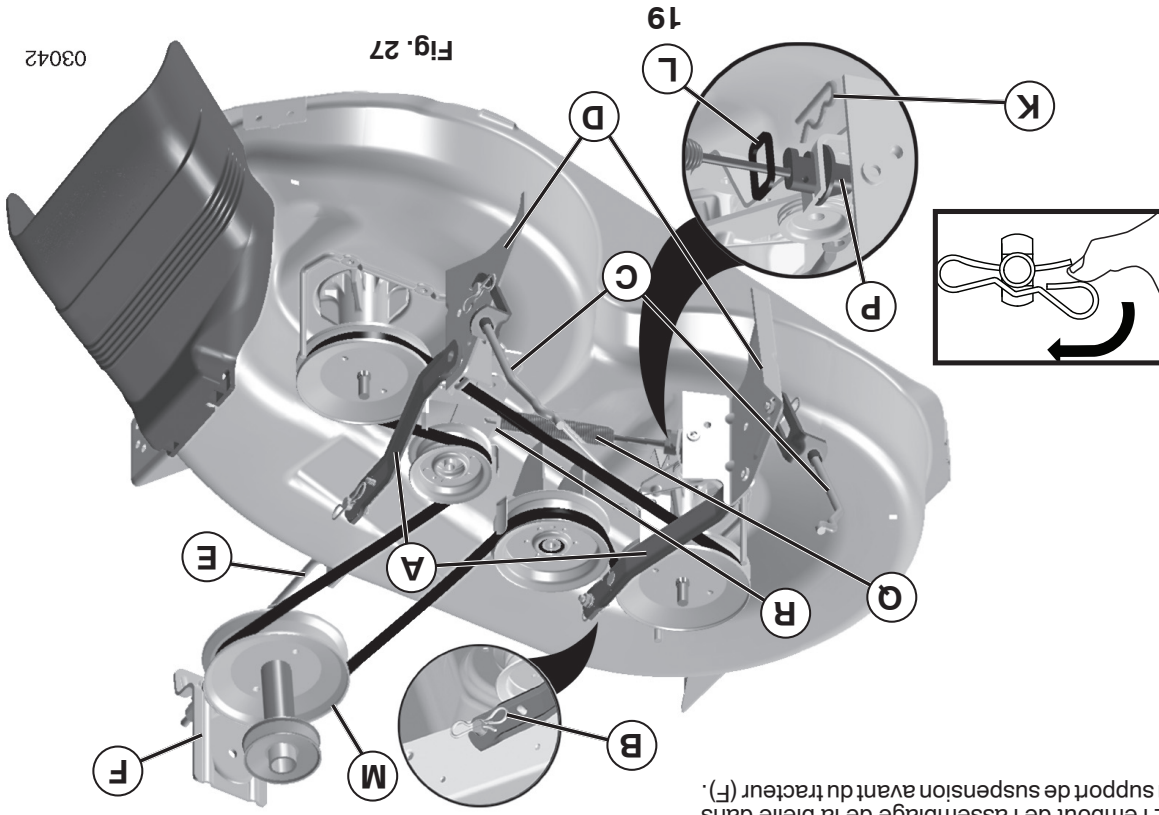
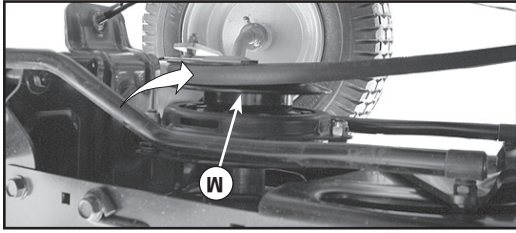


Fig. 27

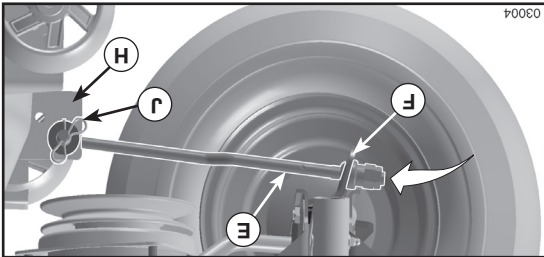
- **IMPORTANT:** Assurez-vous que la courroie est bien en place dans les sillons des poulies de la tondeuse.
- Soulevez le levier de levage à sa position la plus haute.
- Si nécessaire, ajustez les roues de réglage avant d'utiliser la tondeuse, tel que montré dans la section "UTILISATION" de ce manuel.

Fig. 26



- Accrochez le ressort d'embrayage de tondeuse (Q) le trou dans un bras d'embrayage de tondeuse (R).
- Poussez la guide du câble du carter d'embrayage (P) dans le support, glissez le collier sur la guide (L) et fixez-le avec le grands ressort de retenue (K).
- Installez la courroie sur la poulie de moteur (M)

Fig. 25



- Insérez l'autre embout de la bielle (E) dans l'orifice du support avant de la tondeuse (H) et fixez fermement à l'aide d'une rondelle et d'un ressort-arrêt (J).

RÉVISION ET RÉGLAGES

AVERTISSEMENT: POUR ÉVITER DES DOMMAGES SÉRIEUX, AVANT DE FAIRE TOUTS LES RÉVISIONS OU RÉGLAGES.



- Appuyez sur la pédale de frein/embrayage et engagez le frein de stationnement.
- Placez le levier de la commande de mouvement en position point mort.
- Placez l'embrayage d'accessoire en position débrayée (DISENGAGED).
- Tournez la clé de contact à la position d'arrêt (STOP) et enlevez-la.
- Assurez-vous que les lames et toutes les pièces tournantes se soient arrêtées.
- Débranchez le câble de bougie d'allumage et posez-le de telle façon qu'il ne puisse pas entrer en contact avec la bougie d'allumage.

POUR ENLEVER LA TONDEUSE (Voir Fig. 22)

- Placez l'embrayage d'accrochage à la position "DISENGAGED".

- Abaissez le levier le levage à sa position la plus basse.

- Enlevez la courroie de la poulie d'embrayage (M) et les guides de courroie (G).

- Enlevez le ressort de retenue (K), dégagez le collier (L) et poussez le guide (F) de logement hors du support.

- Enlevez le ressort d'embrayage de tondeuse (R) du bras d'embrayage de tondeuse (H).

- Enlevez la bielle avant (E) de la tondeuse – retirez le ressort-arrêt et la rondelle.

- En commençant d'un côté ou de l'autre de la tondeuse, désengagez le bras de suspension (A) de la tondeuse du châssis et la bielle de levage arrière (C) du support arrière de la tondeuse (D) – retirez les ressorts-arrêt et les rondelles.

- **ATTENTION: Après avoir désengagé les bielles, le levier d'accrochage possède un mécanisme à ressort. Tenez fermement le levier lorsque vous changez sa position.**

- **ATTENTION: Le levier possède un mécanisme à ressort. Tenez fermement le levier le levage, abaissez-le lentement et enclenchez-le à sa position la plus basse.**



ATTENTION: Le levier possède un mécanisme à ressort. Tenez fermement le levier le levage, abaissez-le lentement et enclenchez-le à sa position la plus basse.

Assurez-vous que le tracteur se trouve sur une surface de niveau et actionnez le frein de stationnement.

INSTALLER LA TONDEUSE (Voir Figs. 22-27)

- Glissez la tondeuse du dessous du tracteur.
- **IMPORTANT:** Si un accessoire autre que le carter de tondeuse doit être monté sur le tracteur, enlevez les raccords avant (E) et les raccords arrière (C).

Assurez-vous que les bras de suspension latéraux de la tondeuse (A) pointent vers l'avant avant de glisser la tondeuse sous le tracteur.

Glissez la tondeuse sous le tracteur, jusqu'à ce qu'elle soit au centre de celui-ci.

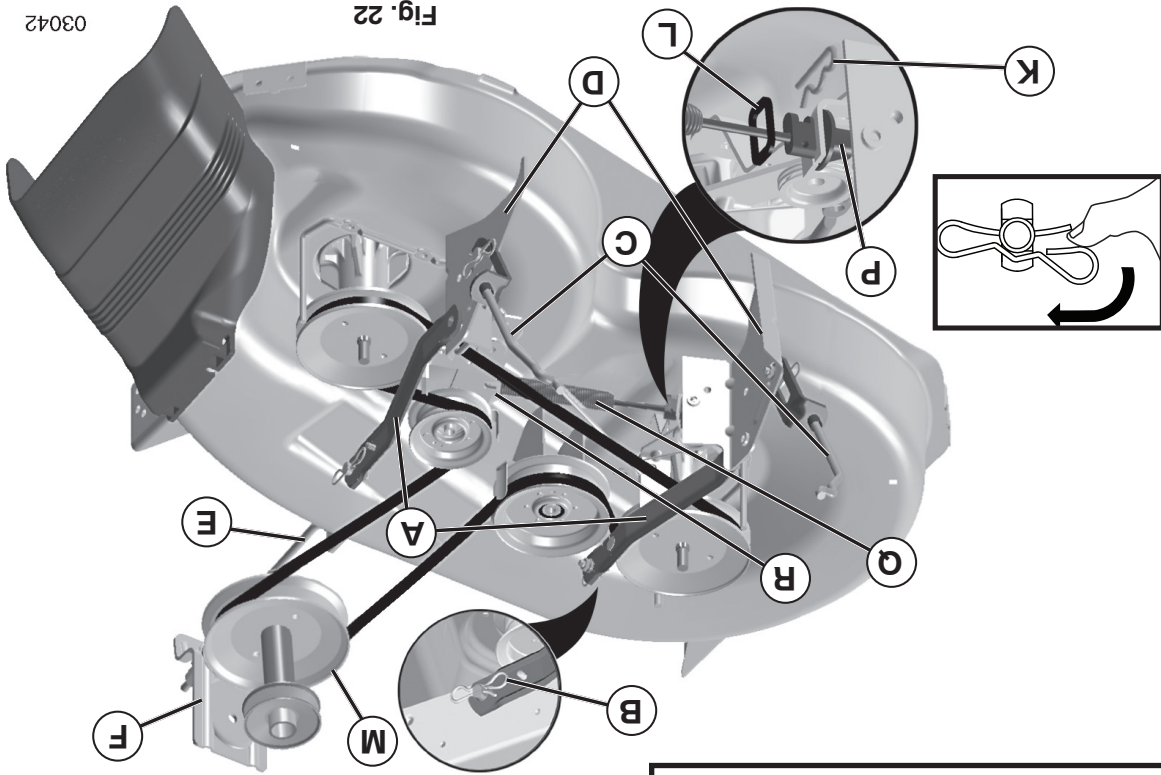


Fig. 22

03042

FILTRE D'ESSENCE INSTALLÉ EN LIGNE

(Voir la Fig. 20)

Le filtre d'essence devrait être remplacé au moins chaque saison. Si le filtre d'essence est bouché et obstrue l'écoulement d'essence au carburateur, il faut le remplacer.

- Quand le moteur est froid, enlevez le filtre et bouchez les tronçons de conduite d'essence.
- Posez le nouveau filtre dans la conduite d'essence avec la flèche pointant vers le carburateur.
- Assurez-vous qu'il n'y ait pas de fuites de la conduite d'essence et que les brides de serrage soient bien placées.
- Nettoyez immédiatement l'essence renversée.

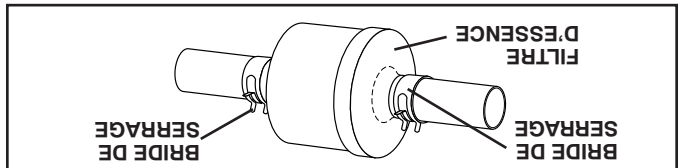


Fig. 20

NETTOYAGE

- Nettoyez le moteur, la batterie, le siège, et la finition, etc. de toutes les matières étrangères.
- Nettoyez toute trace de débris sur la plaque de direction. Les débris peuvent empêcher le mouvement de l'arbre de pédale de frein/d'embrayage, provoquant le glissement de la courroie avec perte d'entraînement. Voir Fig. 21.

ATTENTION : Évitez les points de pincement et les pièces mobiles.

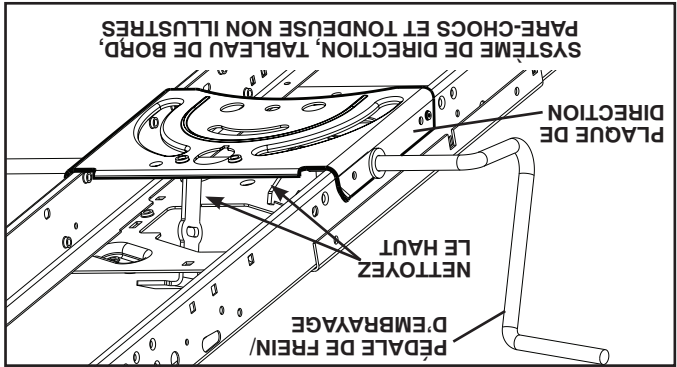


Fig. 21

- Conservez la propreté de la finition et des roues en enlevant soigneusement l'essence, l'huile etc.
- Protégez les surfaces peintes avec une cire d'auto.

À l'exception du raccord de lavage (si équipé), nous ne conseillons pas d'utiliser un boyau d'arrosage ni un nettoyeur haute pression pour nettoyer le tracteur, à moins d'avoir recouvert le moteur et la transmission pour empêcher la pénétration de l'eau. L'eau dans le moteur ou la transmission raccourcira la durée utile du tracteur. Utilisez de l'air comprimé ou une souffluse à feuilles pour retirer l'herbe, les feuilles et les débris sur le tracteur et la tondeuse.

FILTRE D'HUILE DE MOTEUR

Remplacez le filtre d'huile de moteur chaque saison ou tous les deux (2) changements d'huile si le tracteur a été utilisé plus de 100 heures dans une (1) année.

NETTOYER LE TAMIS D'AIR

Le tamis à air est placé sur l'arrivée d'air située au dessus du moteur. Le tamis à air doit être propre sans saleté ni paille pour éviter la surchauffe du moteur. Nettoyez avec une brosse métal-lique ou de l'air comprimé afin de supprimer la saleté et les fibres de gomme séchée tenaces.

FILTRE À AIR

Votre moteur ne fonctionne pas correctement avec un filtre à air sale. Nettoyez le filtre à air plus souvent si utilisé dans les endroits très poussiéreux ou sales. Voir le manuel du moteur.

SILENCIEUX

Inspectez le silencieux et le pare-étincelles (s'il y a lieu) et remplacez-les. Ils pourraient créer des risques d'incendie et/ou d'endommagement.

BOUGIE D'ALLUMAGE

Remplacez les bougies d'allumage au début de chaque saison de tonte ou après toutes les 100 heures d'utilisation selon qui se présente en premier. Pour le type de bougie d'allumage et le réglage d'écartement, référez-vous à la section de "SPECIFICATIONS DU PRODUIT" de ce manuel.

SYSTÈME DE VENTILATION

Pour assurer le refroidissement correct, assurez-vous que le tamis d'air, les ailettes de refroidissement, et les autres surfaces extérieures du moteur soient propres en tout temps.

Toutes les 100 heures d'utilisation (plus souvent dans des conditions poussiéreuses et sales), enlevez le boîtier de soufflerie et les autres déflecteurs d'air de refroidissement. Nettoyez les ailettes de refroidissement et les surfaces extérieures si nécessaires. Assurez-vous que les déflecteurs d'air de refroidissement soient réinstallés.

REMARQUE : Si vous utilisez le moteur avec un tamis d'air obstrué, des ailettes de refroidissement sales ou obstruées, et/ou des déflecteurs d'air de refroidissement enlevés, le moteur pourra être endommagé à cause du surchauffage.

ENTRETIEN

DÉPÔSE DU COUVERCLE DU TABLEAU DE COMMANDE

INFÉRIEUR

- Soulevez le capot.
- Retirez l'attache du couvercle du tableau de commande inférieur.

PRÉCAUTION: Retirez avec soin le couvercle du tableau de commande inférieur en portant attention à ne pas briser les pattes de fixation du couvercle.

- Faites glisser le couvercle du tableau de commande inférieur afin de dégager les pattes de fixation du couvercle des fentes coniques au niveau du tableau inférieur, puis déposez le tout.

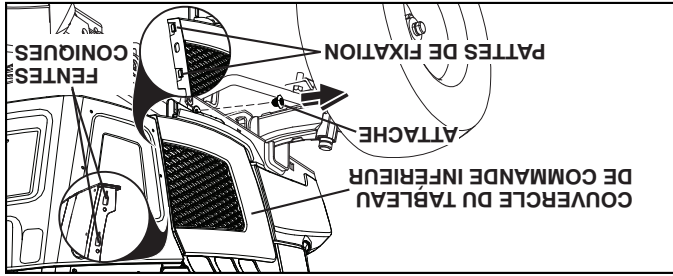


Fig. 18

- Enlevez le bouchon de remplissage d'huile avec la jauge d'huile. Ne permettez pas que des saletés entrent dans le moteur quand vous changez l'huile.

- Enlevez le bouchon jaune du raccord inférieur de la soupape de vidange et installez le tube de vidange sur le raccord fileté.

- Déverrouillez la soupape de vidange en poussant vers l'intérieur et en tournant dans le sens contraire des aiguilles d'une montre.

Pour ouvrir, tirez sur la soupape de vidange.

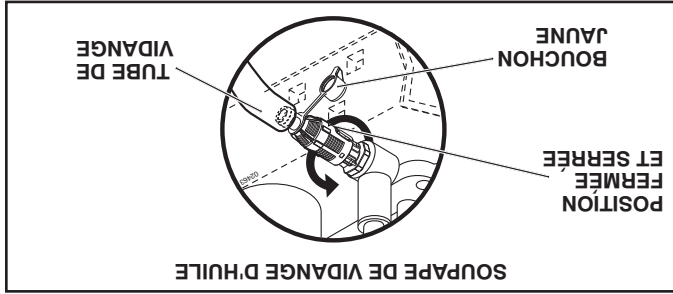


Fig. 19

Après que l'huile se soit écoulée complètement, serrez et verrouillez la soupape de vidange en poussant vers l'intérieur et en tournant dans le sens des aiguilles d'une montre jusqu'à ce que la cheville soit en position verrouillée comme montré. Retirez le tube de vidange et remettez le bouchon sur le raccord inférieur de la soupape de vidange.

Remplissez le moteur avec l'huile dans le tube de la jauge de remplissage d'huile. Versez lentement. N'en mettez pas trop. Voir la section de "SPECIFICATIONS DU PRODUIT" pour la capacité approximative.

Utilisez le calibre du bouchon de remplissage d'huile avec la jauge d'huile pour vérifier le niveau d'huile. Assurez-vous que la jauge d'huile soit serrée à fond pour obtenir une indication correcte du niveau d'huile. Maintenez le niveau d'huile à la marque pleine (FULL) de la jauge d'huile. Serrez à fond le bouchon sur le tube quand vous avez fini.

COURROIES TRAPÉZOÏDALES

Vérifiez les courroies trapézoïdales pour la détérioration et l'usure après 100 heures d'utilisation. Remplacez-les si nécessaire. Les courroies ne sont pas réglables. Remplacez les courroies si elles glissent à cause de l'usure.

ENTRETIEN DE LA TRANSMISSION

La transmission a été scellée à l'usine et l'entretien de fluide n'est pas exigé pour la durée de la transmission. Si la transmission fuit ou doit être réparée, contactez votre centre d'entretien autorisé le plus proche.

MOTEUR

LUBRIFICATION

Utilisez seulement l'huile détergente de qualité supérieure de classification API SG-SL. Choisissez le degré de viscosité SAE de l'huile selon la température prévue pendant l'utilisation prévue. L'huile synthétique doit être utilisée lorsque le moteur fonctionne à des températures au-dessous de 0° F (-18° C).



Fig. 17

*** ATTENTION:** Les moteurs à refroidissement par air fonctionnent à une chaleur plus élevée que les moteurs d'automobile. L'usage de huiles multi-viscosité non-synthétiques (5W-30, 10W-30, etc.) à des températures au-dessus de 40° F (4° C) résultera en une consommation d'huile plus élevée que la normale. Vérifier le niveau d'huile plus fréquemment lorsque de l'huile multi-viscosité est utilisée.

**** ATTENTION:** L'huile SAE 30, si utilisée à des températures au-dessus de 40° F (4° C), entraînera un démarrage difficile et des dommages éventuels à l'alésage du moteur causés par une lubrification inadéquate.

REMARQUE: L'huile synthétique de classification LSAC GF-2, comportant le symbole de service API (monté à gauche) avec "CONSERVATION DE L'ÉNERGIE SJ/CF" ou plus est une huile acceptable à toutes les températures. L'usage d'huile synthétique ne modifie d'aucune façon les intervalles de vidange d'huile exigés.

Changez l'huile toutes les 50 heures d'utilisation ou au moins une fois par an si le tracteur est utilisé moins de 50 heures par an. Vérifiez le niveau d'huile du carter-moteur avant de démarrer le moteur et toutes les huit (8) heures d'utilisation. Serrez le bouchon de remplissage d'huile avec la jauge d'huile chaque fois que vous vérifiez le niveau d'huile.

POUR CHANGER L'HUILE DE MOTEUR

(Voir la Fig. 17 - 19)

- Déterminez la gamme de températures prévue avant le changement d'huile. Toute l'huile doit avoir la classification API SG-SL.
- Assurez-vous que le tracteur soit stationné sur un terrain plat.
- L'huile se vidangera plus librement quand elle est chaude.
- Recueillez l'huile dans un récipient approprié.

TRACTEUR

Observez toujours les règles de sécurité quand vous faites l'entretien.

FONCTIONNEMENT DU FREIN

Si le tracteur demande une distance d'arrêt de plus de cinq (5) pieds (1,5 m) pour s'arrêter à grande vitesse, sur une surface horizontale en béton sec ou pavée, vous devez contrôler et régler le frein. (Voir la section "POUR REGLER LE FREIN" dans la section Révision et Réglages de ce manuel.)

PNEUS

- Maintenez la pression correcte dans tous les pneus. (Voir la valeur en PSI indiquée sur ceux-ci.)
- Assurez-vous que vos pneus ne soient pas en contact avec de l'essence, de l'huile ou des produits chimiques insecticides qui pourraient endommager le caoutchouc.
- Évitez les souches, les pierres, les ornieres profondes, les objets tranchants et les autres dangers qui pourraient causer des dégâts aux pneus.

REMARQUE: Pour boucher les crevaisons de pneus et pour prévenir les pneus à plat à cause des fuites, un enduit d'étanchéité de pneu peut être acheté chez votre fournisseur de pièces. L'enduit empêche le pneu de pourrir ou de se corroder.

SYSTÈME DE PRÉSENCE DE L'OPÉRATEUR ET ARRIÈRE (ROS) (Voir la Fig. 15)

Vérifiez si les systèmes de présence de l'opérateur, de marche arrière et de verrouillage fonctionnent correctement. Si votre tracteur ne fonctionne pas de la façon décrite, réparez-le immédiatement. Le moteur ne démarre pas sauf si la pédale d'embrayage/frein est appuyée à fond est la commande de l'embrayage de l'accessoire est dégagée.

VÉRIFIEZ PRÉSENCE DE L'OPÉRATEUR

- Si l'opérateur quitte le poste de conduite, lorsque le moteur est en marche, sans tirer le frein de parking, le moteur s'arrête.
- Si l'opérateur quitte le poste de conduite, lorsque l'embrayage est engagé et le moteur en marche, le moteur s'arrête.
- L'embrayage de l'accessoire ne doit jamais fonctionner sauf si l'opérateur est au volant.

VÉRIFIEZ SYSTÈME DE FONCTIONNEMENT EN MARCHE ARRIÈRE (ROS)


- Si l'opérateur tente de reculer, lorsque le moteur est en marche avec le commutateur d'allumage sur ON est l'embrayage engagé, le moteur s'arrête.
- Si l'opérateur tente de reculer, lorsque le moteur est en marche avec le commutateur d'allumage sur la position ON du système de fonctionnement en marche arrière (ROS) est l'embrayage engagé, le moteur ne s'arrête PAS.



Fig. 15

ENTRETIEN DES LAMES

Pour obtenir les meilleurs résultats, les lames de tondeuse doivent toujours être tranchantes. Remplacez les lames courbées ou endommagées.



DANGER: N'utilisez que les lames de remplacement autorisées par le fabricant de votre tondeuse. L'usage d'une lame n'ayant pas été autorisée par le fabricant de votre tondeuse est dangereux et risque d'endommager votre tondeuse et d'annuler sa garantie.

ENLEVER LA LAME (Voir la Fig. 16)

- Relevez la tondeuse le plus haut possible pour avoir accès aux lames. **REMARQUE:** Protégez vos mains avec des gants et/ou enveloppez la lame dans un lingé épais.
- Enlevez le boulon de lame en le tournant dans le sens contraire des aiguilles d'une montre.
- Installez la lame remplacée ou aiguisée en orientant le côté indiqué par "GRASS SIDE" (côté herbe) vers le sol.
- **IMPORTANT:** POUR ASSURER L'ASSEMBLAGE ADÉQUAT, ALIGNEZ LE TROU DU CENTRE DE LAME AVEC L'ÉTOILE DU MANDRIN.
- Installez et serrez le boulon de lame solidement (62-75 Nm/45-55 Ft. Lbs).

IMPORTANT: LE BOULON SPÉCIAL DE LAME EST SOUMIS A UN TRAITEMENT A LA CHALEUR.

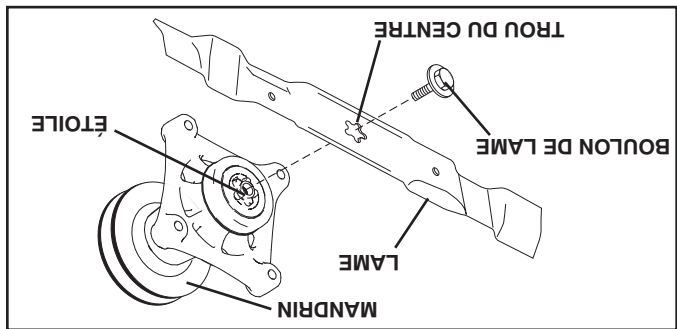


Fig. 16

BATTERIE

Votre tracteur est muni d'un système de chargement de batterie qui est suffisant pour l'usage normal. Pourtant, le chargement périodique de la batterie avec un chargeur d'auto prolongera la durabilité. Conservez la batterie et les bornes propres.

- Conservez les petits orifices de ventilation ouverts.
- Conservez les boulons de batterie serrés.
- Rechargez la batterie à raison de 6-10 ampères pendant une période d'une (1) heure.

REMARQUE: L'équipement d'origine de batterie de votre tracteur ne nécessite pas d'entretien. N'essayez pas d'ouvrir ou d'enlever les bouchons ou couvercles. Il n'est pas nécessaire de vérifier ou d'ajouter plus d'électrolyte.

POUR NETTOYER LA BATTERIE ET LES BORNES:

- La présence de corrosion ou de saleté sur la batterie et les bornes peut causer les "fuites" de puissance.
- Enlevez le protecteur des bornes.
- Premièrement débranchez le câble de batterie NOIR et ensuite le câble de batterie ROUGE et enlevez la batterie du tracteur.
- Rincez la batterie avec l'eau fraîche, et séchez-la.
- Nettoyez les bornes et les bouts des câbles de batterie avec une brosse métallique jusqu'à ce qu'ils brillent.
- Enduisez les bornes avec la graisse ou le pétrolatum.
- Réinstallez la batterie. (Voir "REPLACER LA BATTERIE" dans la section Révision et Réglages de ce manuel.)

CONSEILS DE TONTE

- N'UTILISEZ PAS de chaînes pour pneus quand le carter de tondeuse est attaché au tracteur.
- Assurez-vous que votre tondeuse soit correctement nivelée pour le meilleur rendement. Voir la section de "POUR NIVELER LE CARTER DE TONDEUSE" dans la section Révision et Réglages de ce manuel.
- Vous devez utiliser le côté gauche de la tondeuse pour la taille. Conduisez de manière à ce que l'herbe coupée soit déversée sur la zone qui a été tondu. La zone coupée doit être située à la droite du tracteur. Vous obtiendrez ainsi une coupe plus uniforme et une meilleure répartition de l'herbe coupée.
- Pour tondre une grande surface, on vous conseille de commencer par tourner à droite, de façon à ce que l'herbe ne soit pas déversée sur les arbustes, les clôtures, les allées, etc. Après un ou deux tours, tondez en sens inverse en tournant à gauche jusqu'à ce que le travail soit achevé (Voir la Fig. 14).

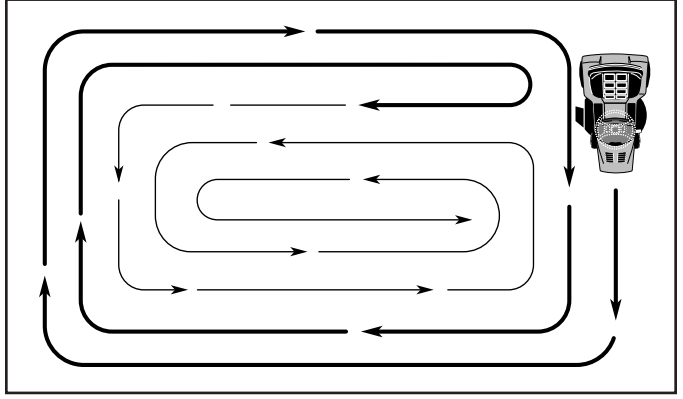


Fig. 14

- Si le gazon est très long, il faut le tondre deux fois pour réduire la charge et les risques d'incendie de l'herbe sèche. La première fois, réglez l'appareil pour une coupe assez haute. La deuxième passe doit se faire à la hauteur désirée. Ne tondez pas l'herbe quand elle est mouillée. L'herbe mouillée bloquera la tondeuse. Laissez sécher l'herbe avant de tondre.
- **Tondez toujours avec la commande des gaz à plein gaz** pour assurer le meilleur rendement et le déchargement correct. Choisissez une vitesse suffisamment basse qui donne le meilleur rendement et la meilleure coupe.
- Quand vous utilisez les accessoires, choisissez toujours une vitesse qui convient au terrain et à l'accessoire utilisé.

UTILISATION

POUR DÉMARRER LE MOTEUR (Voir la Fig. 3)

Si vous démarrez le moteur pour la première fois ou si le moteur est sans essence, il faudra plus de temps pour déplacer l'essence du réservoir au moteur.

- Assurez-vous que la commande roue libre soit dans la position d'engrenage engagée.
 - Asseyez-vous sur le siège, enfoncez la pédale d'embrayage/frein et engagez le frein de stationnement.
 - Mettez le levier de commande de déplacement à la position point mort.
 - Déplacez l'embrayage d'accessoire à la position débrayée (DISENGAGED).
 - Déplacez le levier de la commande des gaz à la position étrangleur.
- REMARQUE:** Avant de commencer, lisez les instructions suivantes.
- Insérez et tournez la clé dans le sens des aiguilles d'une montre à la position de démarrage (START) et relâchez la clé dès que le moteur démarre. N'utilisez pas le démarreur sans interruptions pendant plus de quelques secondes par minute. Si le moteur ne démarre pas après quelques essais, déplacez la commande des gaz à la position rapide d'attente de quelques minutes et essayez encore. Si le moteur démarre quelques minutes et essayez encore. Si le moteur ne démarre pas après quelques essais, déplacez la commande des gaz à la position étrangleur et essayez encore.

DÉMARRAGE PAR TEMPS CHAUD (50°F/10°C et plus)

- Quand vous démarrez le moteur, déplacez la commande de gaz lentement à la position rapide.
- Alors maintenant, les accessoires et la commande d'entraînement peuvent être utilisés. Si le moteur ne peut pas accepter cette charge, démarrez-le une autre fois et permettez qu'il se chauffe pendant une minute en utilisant l'étrangleur comme décrit ci-haut.

DÉMARRAGE PAR TEMPS FROID (50°F/10°C et moins)

- Quand vous démarrez le moteur, faites-le marcher avec la commande d'entraînement dans la position étrangleur jusqu'à ce que le moteur réchauffe et commence à marcher mal. Une fois que ceci commence, déplacez immédiatement la commande des gaz à la position rapide. Il faut de quelques secondes à quelques minutes pour que le moteur se chauffe, selon la température.

RÉCHAUFFEMENT DE LA TRANSMISSION AUTOMATIQUE

- Avant de conduire le tracteur l'hiver, la transmission doit être chauffée comme suit:
- Assurez-vous que le tracteur soit garé sur un terrain plat.
- Placez le levier de commande de déplacement dans la position point mort. Relâchez le frein de stationnement et permettez que l'embrayage/frein retourne dans la position d'opération.
- Permettez que la transmission de réchauffe pendant une minute. Ceci peut être fait pendant le temps d'échauffement. Les accessoires peuvent être utilisés pendant le temps d'échauffement du moteur après que la transmission soit chaude.

AVANT DE DÉMARRER LE MOTEUR

VÉRIFIER LE NIVEAU D'HUILE DU MOTEUR

Le moteur de votre tondeuse a été expédié de l'usine rempli d'une huile d'été.

- Stationnez le tracteur sur un terrain plat avant de vérifier le niveau d'huile du moteur.
- Enlevez le bouchon de remplissage d'huile avec la jauge d'huile et nettoyez-la, remettez-la en place et serrez à fond le bouchon. Attendez quelques secondes puis enlevez-la pour déterminer le niveau d'huile. Si nécessaire, remplissez avec l'huile jusqu'à la marque pleine (FULL) sur la jauge d'huile. N'en mettez pas trop.
- Pour faciliter le démarrage pendant l'hiver, vous devriez changer l'huile. (Voir le "TABLEAU DE VISCOSITÉ D'HUILE" dans la section de l'entretien de ce manuel.)
- Pour changer l'huile de moteur, voir la section Entretien de ce manuel.

REMPLIR LE RÉSERVOIR D'ESSENCE

- Remplissez le réservoir jusqu'au niveau du goulot de remplissage. Ne remplissez pas trop. Utilisez une essence neuve, propre, ordinaire sans plomb d'au moins 87 d'octane. Ne mélangez pas d'huile à l'essence. Achetez des quantités d'essence pouvant être consommées dans les 30 jours afin de garantir la fraîcheur de l'essence.



ATTENTION: Essayez toujours l'huile ou l'essence renversée. Vous ne devez jamais emmagasiner, répandre ou utiliser de l'essence près d'une flamme nue.

IMPORTANT: POUR ASSURER UN BON DÉMARRAGE PAR TEMPS FROID (SOUS LES 32°F/0°C), VOUS DEVEZ UTILISER DE L'ESSENCE FRAÎCHE, PROPRE ET SPÉCIALE D'HIVER.

ATTENTION: Les carburants contenant de l'alcool (appelés essence-alcool, ou gazohol, ou contenant de l'éthanol ou du méthanol) peuvent attirer l'humidité et conduire à une séparation et à la formation d'acides durant le remplissage. Le gaz acide peut endommager le circuit de carburant d'un moteur pendant son remplissage. Pour éviter tout problème au niveau du moteur, videz le réservoir de carburant avant de remplir la machine pour une période de 30 jours ou plus. Vidangez le réservoir de carburant, mettez le moteur en marche et laissez-le tourner jusqu'à ce que les conduites de carburant et le carburateur soient vides. Utilisez du carburant neuf lors de la prochaine utilisation. Pour plus d'informations, consultez les consignes de remplissage. N'utilisez jamais d'agent de nettoyage pour moteur ou carburateur dans le réservoir de carburant. Risque de dommages irréversibles. Un stabilisateur d'essence est un autre moyen acceptable pour minimiser la formation de gomme d'essence pendant le remplissage. Ajoutez un stabilisateur à l'essence dans le réservoir ou dans le contenant de remplissage. Respectez toujours les proportions de mélange indiquées sur le contenant du stabilisateur. Faites tourner le moteur au moins 10 minutes après l'ajout du stabilisateur afin de permettre au stabilisateur de parvenir au carburateur. Ne videz pas le réservoir de carburant ni le carburateur si un stabilisateur a été ajouté.

SYSTEME DE FONCTIONNEMENT EN MARCHÉ ARRIÈRE (ROS) (Voir la Fig. 11)

• Votre tracteur est équipé d'un Système de fonctionnement en marche arrière (ROS). Si l'opérateur tente de circuler en marche arrière avec l'embrayage de l'accessoire engagé il provoquera l'arrêt du moteur à moins que la clef d'allumage soit placée dans la position ROS "ON".

• **AVERTISSEMENT:** Il est fortement déconseillé de faire reculer avec l'embrayage de l'accessoire de toute engagé. L'opérateur ne doit mettre le ROS sur ON, pour pouvoir reculer avec l'embrayage de l'accessoire engagé, que s'il l'estime réellement nécessaire pour repositionner la machine avec l'accessoire engagé. **Ne tondez pas en marche arrière à moins qu'absolument nécessaire.**

UTILISATION DU SYSTÈME DE FONCTIONNEMENT EN MARCHÉ ARRIÈRE

• N'utilisez que si vous êtes certain qu'aucun enfant ou tiers n'est présent sur la surface à tondre.

• Placez le levier de vitesse au point mort.

• Avec le moteur en marche, introduisez la clé dans le commutateur ROS et faites-la tourner en sens anti-horaire sur ON.

• Regardez vers le bas et vers l'arrière avant de reculer.

• Déplacez lentement le levier de vitesse sur la marche arrière (R) pour commencer le mouvement.

• Lorsque l'utilisation du ROS n'est plus nécessaire, faites tourner la clé de contact en sens horaire sur ON.

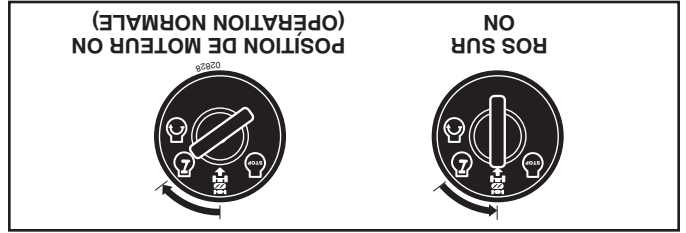


Fig. 11

POUR UTILISER DANS LES PENTES

AVERTISSEMENT: N'utilisez jamais le tracteur dans les côtes de plus de 15°. Ne le conduisez jamais en pente.

- Choisissez la vitesse la plus lente avant de commencer à monter ou descendre une côte.
- Évitez de changer la vitesse ou d'arrêter dans une côte.
- Si vous devez ralentir l'allure, déplacez le levier de la commande des gaz à une position réduite.
- S'il est absolument nécessaire d'arrêter, enfoncez rapidement la pédale de frein/embrayage jusqu'à sa position de freinage.
- Déplacez le levier de la commande de déplacement à la position point mort.

IMPORTANT: LE LEVIER DE COMMANDE DE DÉPLACEMENT NÉ REVIENT PAS À LA POSITION POINT MORT QUAND LA PÉDALE DE FREIN/EMBRAYAGE EST ENFONCÉE.

- Pour redémarrer, dégagez lentement le frein de stationnement et la pédale de frein/embrayage.
- Déplacez lentement le levier de commande de déplacement à la position la plus lente.
- Virez toujours très progressivement.

POUR TRANSPORTER LE TRACTEUR

(Voir la Fig. 12 et 13)

- Quand vous poussez ou remorquez le tracteur, assurez-vous que la transmission soit désengrenée en déplaçant la commande de roue libre à la position à roue libre. La commande de roue libre est située sur la barre d'attelage arrière du tracteur.
- Soulevez le mécanisme de levage d'accessoire à la position la plus haute avec la commande de levage d'accessoire.
- Placez le levier de changement de vitesse à la position POINT MORT pour réduire la tension de la transmission.

• **REMARQUE:** Pour réduire complètement la tension de la transmission, il peut être nécessaire de placer le levier de changement de vitesse (J) d'abord à la position MARCHÉ ARRIÈRE puis à la position POINT MORT juste après.

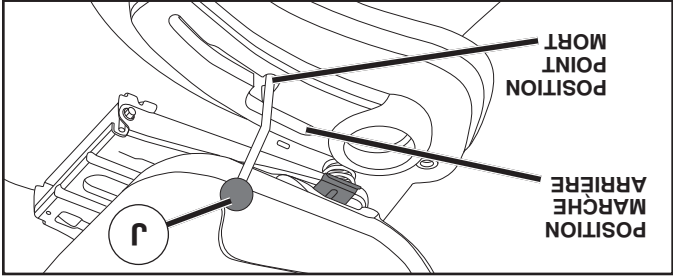


Fig. 12

- Tirez la commande de roue libre vers l'extérieur et bloquez-la dans cette position.
- Ne remorquez ou poussez jamais votre tracteur à une vitesse de plus de 3,2 km/h (2 mph).
- Pour réengrener la transmission, inversez le procédé ci-dessus.

• **REMARQUE:** Pour débloquer la commande de roue libre, appuyez sur la pédale de frein/embrayage.

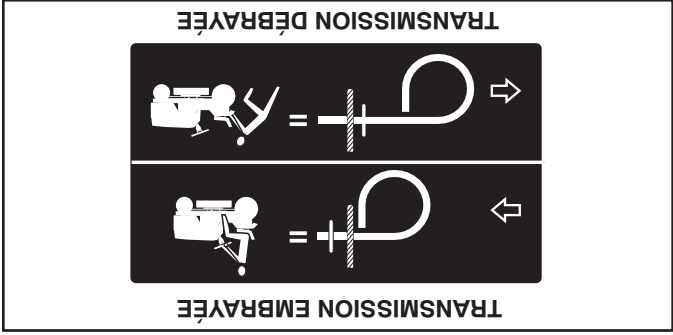


Fig. 13

• **REMARQUE:** Pour protéger le capot des dommages pendant le transport de votre tracteur sur un camion ou une remorque, assurez-vous que le capot soit fermé et fixé au tracteur. Utilisez les moyens appropriés (corde, câble, etc.).

POUR REMORQUER DES CHARRETTES ET AUTRES ACCESSOIRES

Remorquez seulement les accessoires recommandés, dans les spécifications du fabricant de votre tracteur. Faites preuve de jugement lorsque vous remorquez un accessoire. Il est dangereux de remorquer des chargements trop lourds dans une pente. Les pneus peuvent perdre de l'adhérence avec le terrain et vous faire perdre la maîtrise de votre tracteur.

POUR AVANCER ET POUR RECULER

(Voir la Fig. 7)

La direction et la vitesse de déplacement sont commandées par le levier de changement de vitesse (J).

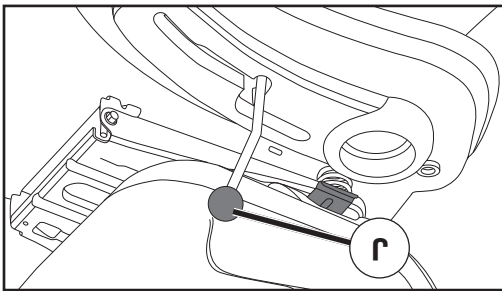


Fig. 7

- Démarrez le tracteur avec le levier de commande de déplacement à la position point mort.
- Déclenchez le frein de stationnement.
- Relâchez lentement le levier de commande de déplacement à la position désirée.

POUR RÉGLER LA HAUTEUR DE COUPE DE LA TONDEUSE (Voir la Fig. 8)

La position du levier d'accrochage (A) détermine la hauteur de la tonte.

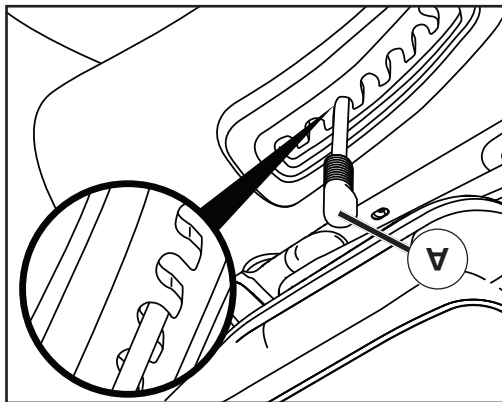


Fig. 8

- Placez le levier d'accrochage dans la rainure correspondant à la hauteur désirée.
- La plaque de réglage de la hauteur de coupe est environ de 25,4 à 101,6 mm (1 à 4 po.). Les hauteurs sont mesurées du terrain à l'extrémité de la lame quand le moteur ne marche pas. Ces hauteurs sont approximatives et elles pourraient changer à cause des conditions du terrain, de la hauteur de l'herbe et des types d'herbe qui sont tondu.
- La pelouse doit être tondue à 63,5 mm (2-1/2 po.) pendant la saison fraîche et à plus de 76,2 mm (3 po.) pendant la saison chaude. Tondez souvent pour les meilleurs résultats.
- Pour le meilleur rendement, si l'herbe mesure plus de 152,4 mm (6 po.), vous devez la tondre deux fois. La première fois laissez-la plutôt longue; et la deuxième fois à la hauteur désirée.

POUR RÉGLER LES ROUES DE JAUGE

(Voir la Fig. 9)

Les roues de jauge sont bien réglées quand elles se trouvent légèrement au-dessus du sol borsque la tondeuse est à la hauteur de coupe désirée. Dans ce cas, les roues gardent le carter en place pour prévenir le égazonnement de la plupart des terrains. **REMARQUE:** Réglez les roue quand le tracteur est sur un terrain plat.

- Réglez la tondeuse à la hauteur de coupe désirée. (Voyez la section de "POUR RÉGLER LA HAUTEUR DE COUPE DE LA TONDEUSE" dans la section fonctionnellement de ce manuel.)
- Quand la tondeuse est à désirée hauteur de coupe désirée, les roues devraient être montés afin qu'elles soient un peu au-dessus de la terre. Installez la roue dans le trou approprié comme indiqué et serrez à fond.
- Répétez de l'autre côté. Installez la roue dans le même trou réglable.

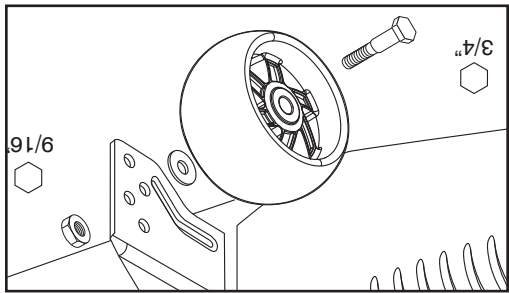


Fig. 9

POUR UTILISER LA TONDEUSE

Votre tracteur est muni d'un interrupteur de détection de présence d'un opérateur. Le moteur s'arrête si l'opérateur essaie de quitter le siège pendant que le moteur fonctionne et que l'embrayage d'accessoire est engagé. Vous devez rester bien assis au milieu du siège pour éviter que le moteur hésite ou s'arrête quand le tracteur est utilisé sur un terrain accidenté ou des collines.

- Sélectionnez la hauteur de tonte désirée. (Voir "POUR RÉGLER LA HAUTEUR DE COUPE DE LA TONDEUSE".)
- Engagez les lames de tondeuse en déplaçant la commande d'embrayage d'accessoire à la position "EMBRAYÉE".

POUR ARRÊTER LES LAMES DE TONDEUSE

Déplacez la commande d'embrayage d'accessoire à la position "DEBRAYÉE".



ATTENTION: N'utilisez pas la tondeuse sans le déflecteur ou sans le ramasse-herbe s'il y a lieu (Voir La Fig. 10).

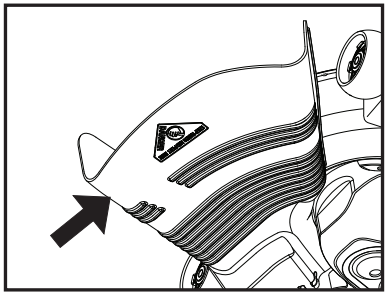


Fig. 10

UTILISATION



L'utilisation d'un tracteur présente le risque de projection des particules dans les yeux qui peuvent causer des blessures sérieuses. Portez toujours des lunettes de sécurité ou une visière pendant que vous utilisez, ou que vous faites des réglages ou des réparations au tracteur. Nous recommandons des lunettes de sécurité ou un masque large de sécurité porté au-dessus des lunettes.

COMMENT UTILISER VOTRE TRACTEUR

POUR EMBRAYÉE LE FREIN DE STATIONNEMENT (Voir la Fig. 4)

- Votre tracteur est muni d'un interrupteur de détection de présence d'opérateur. Le moteur s'arrêtera, si l'opérateur quitte le siège sans embrayée le frein de stationnement lorsque le moteur marche.
- Appuyez à fond sur la pédale de frein/embrayage à la position de frein (BRAKE).
- Tirez sur levier du frein de stationnement (C) et tenez-le, relâchez la pression sur la pédale de frein/d'embrayage (B), puis relâchez le levier du frein de stationnement. La pédale devrait rester à la position de frein (BRAKE). Assurez-vous que le frein de stationnement retienne le tracteur sans risque.

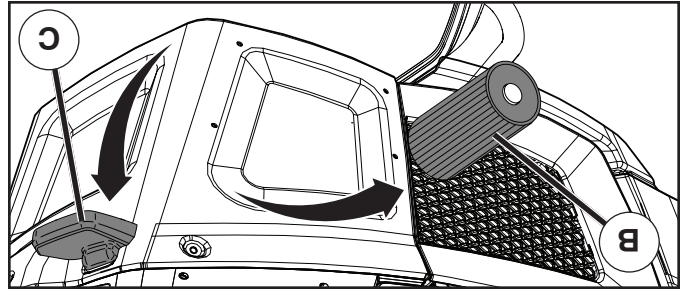


Fig. 4

POUR ARRÊTER (Voir la Fig. 5)

LAMES DE TONDEUSE -

- Pour arrêter les lames de tondeuse, bougez le contrôle d'embrayage d'accessoire à la position "DEBRAYÉE" (*).

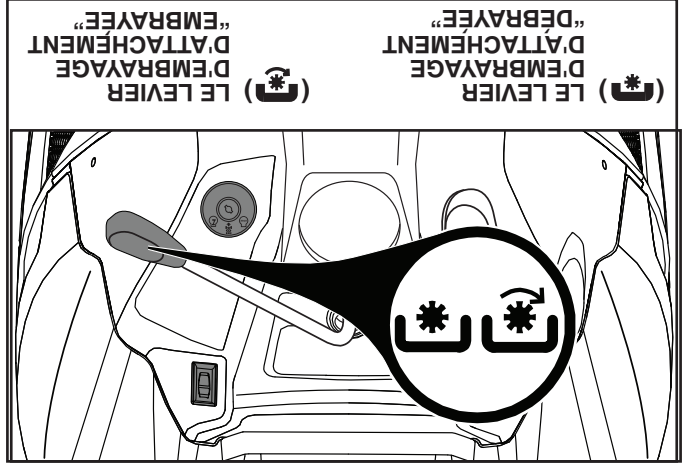


Fig. 5

ENTRAÎNEMENT -

- Pour arrêter l'entraînement, abaissez complètement la pédale frein à la position "Frein".
- Déplacez le levier de commande de déplacement (J) à la position point mort.

POUR UTILISER LA COMMANDE DES GAZ (D)

(Voir la Fig. 6)

- Utilisez toujours le moteur à pleine vitesse (rapide).
- Faire fonctionner le moteur à une vitesse inférieure à sa vitesse maximale (rapide) réduit l'efficacité du moteur.
- Une pleine vitesse (rapide) permet une meilleure performance de la tondeuse.

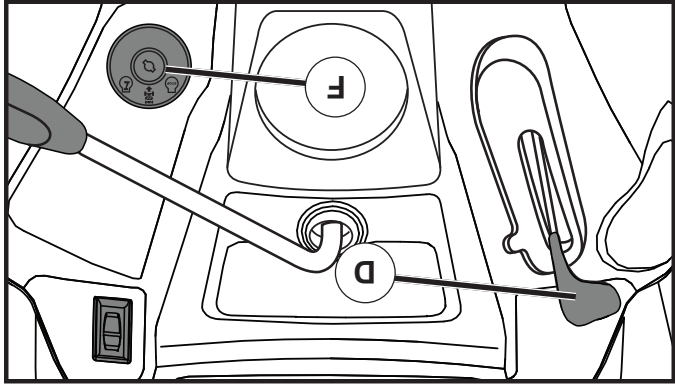


Fig. 6



ATTENTION: Arrêtez toujours le tracteur complètement, comme décrit ci-dessus, avant de quitter le tracteur, de vider le ramasse-herbe, etc.

REMARQUE: Quand le tracteur marche au ralenti, les gaz d'échappement d'un moteur chaud peuvent causer des dommages au gazon. Pour éviter les dommages, coupez toujours le moteur quand vous arrêtez le tracteur sur le gazon.

IMPORTANT: SI LE CONTACT D'ALLUMAGE EST LASISSÉ À UNE AUTRE POSITION QUE OFF, LA BATTERIE SE DÉCHARGERERA ET SERA ALLÉ À PLAT.

- Placer la commande des gaz en position (D) « FAST » (rapide).
- **REMARQUE :** Le fait de ne pas déplacer la commande des gaz en position « FAST » (rapide) avant de couper le moteur peut entraîner un retour de flamme.
- Tournez la clé de contact à la position coupée (F) STOP et enlevez-la. Enlevez toujours la clé de contact quand vous quittez le tracteur pour empêcher l'emploi non autorisée.
- N'utilisez pas la commande d'étrangleur pour arrêter le moteur.

UTILISATION

CONNAISSEZ VOTRE TRACTEUR

AVANT D'UTILISER VOTRE TRACTEUR, LISEZ CE MANUEL ET LES RÈGLES DE SÉCURITÉ

Comparez les illustrations ci-dessous à celles de votre tracteur afin de vous familiariser avec l'emplacement des différentes commandes et avec les réglages. Gardez ce manuel pour référence.

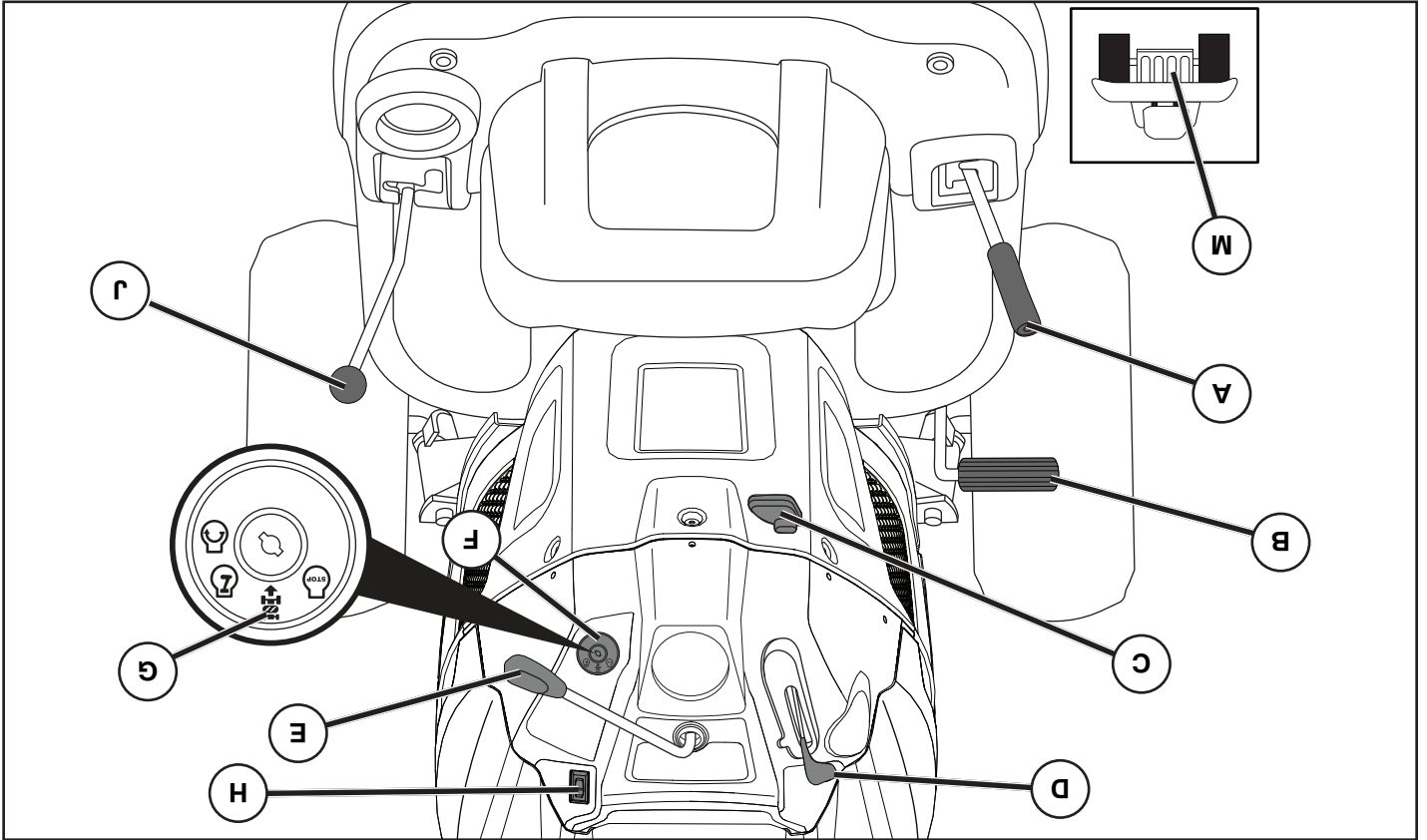


Fig. 3

Nos tracteurs sont conformes aux normes de sécurité de l'American National Standards Institute.

(A) LEVIER DE LEVAGE D'ACCESSOIRE - permet de soulever, de baisser, et de régler le cartier de tondeuse ou les autres accessoires montés sur le tracteur.
(B) PÉDALE DE FREIN - permet d'arrêter le tracteur et de démarrer le moteur.
(C) LEVIER DE FREIN DE STATIONNEMENT - bloque la pédale de frein en position de frein.
(D) COMMANDE DES GAZ/ÉTRANGLEUR - permet de démarrer le moteur et de commander la vitesse de moteur.
(E) LEVIER D'EMBRAYAGE D'ACCESSOIRE - est utilisé pour EMBRAYÉE les lames de tondeuse ou les autres accessoires montés sur le tracteur.

(F) CONTACTEUR D'ALLUMAGE - permet de démarrer et de couper le moteur.
(G) ROS SUR "ON" - Permet le fonctionnement de la plate-forme de faucheuse ou de tout autre attachement actionné tandis qu'à l'envers.
(H) L'INTERRUPTEUR DES LUMIÈRES - permet d'allumer/éteindre les phares du tracteur.
(J) LEVIER DE COMMANDE DE DÉPLACEMENT - permet de choisir la vitesse et la direction du tracteur.
(M) COMMANDE DE ROUE LIBRE - débraye la transmission pour le transport ou le remorquage du tracteur quand le moteur ne fonctionne pas.

UTILISATION

Ces symboles peuvent se montrer sur votre tracteur ou dans les publications fournies avec le produit. Apprenez et comprenez la signification des symboles.

	ARRÊTER LE MOTEUR		LE MOTEUR
	DÉMARRER LE MOTEUR		ALLUMÉ MOTEUR
	MOTEUR DIFFÉRENTIEL		BLOCAGE DE PÉDALE DE FREIN/ D'EMBRAYAGE
	FREIN DE STATIONNEMENT		HAUTEUR DE TONDEUSE
	HAUTEUR DE TONDEUSE		LEVAGE DE TONDEUSE
	ARRÊTER LE MOTEUR		ARRÊTER LE MOTEUR
	DÉMARRER LE MOTEUR		LE MOTEUR
	MOTEUR ALLUMÉ		LE MOTEUR
	BLOCAGE DE DIFFÉRENTIEL		ARRÊTER LE MOTEUR
	PÉDALE DE FREIN/ D'EMBRAYAGE		ARRÊTER LE MOTEUR
	FREIN DE STATIONNEMENT		ARRÊTER LE MOTEUR
	HAUTEUR DE TONDEUSE		ARRÊTER LE MOTEUR
	LEVAGE DE TONDEUSE		ARRÊTER LE MOTEUR

	SYSTÈME DE FONCTIONNEMENT EN MARCHÉ ARRIÈRE (ROS)		ARRIÈRE DE MARCHÉ
	ARRIÈRE DE MARCHÉ		ARRIÈRE DE MARCHÉ
	MARCHÉ DE MARCHÉ		MARCHÉ DE MARCHÉ
	MARCHÉ DE MARCHÉ		MARCHÉ DE MARCHÉ
	MARCHÉ DE MARCHÉ		MARCHÉ DE MARCHÉ
	MARCHÉ DE MARCHÉ		MARCHÉ DE MARCHÉ
	MARCHÉ DE MARCHÉ		MARCHÉ DE MARCHÉ
	MARCHÉ DE MARCHÉ		MARCHÉ DE MARCHÉ
	MARCHÉ DE MARCHÉ		MARCHÉ DE MARCHÉ
	MARCHÉ DE MARCHÉ		MARCHÉ DE MARCHÉ
	MARCHÉ DE MARCHÉ		MARCHÉ DE MARCHÉ
	MARCHÉ DE MARCHÉ		MARCHÉ DE MARCHÉ

	DANGER, GARDEZ LES MAINS ET PIEDS LOIN		DANGER, GARDEZ LES MAINS ET PIEDS LOIN
	DANGER, GARDEZ LES MAINS ET PIEDS LOIN		DANGER, GARDEZ LES MAINS ET PIEDS LOIN
	DANGER, GARDEZ LES MAINS ET PIEDS LOIN		DANGER, GARDEZ LES MAINS ET PIEDS LOIN
	DANGER, GARDEZ LES MAINS ET PIEDS LOIN		DANGER, GARDEZ LES MAINS ET PIEDS LOIN
	DANGER, GARDEZ LES MAINS ET PIEDS LOIN		DANGER, GARDEZ LES MAINS ET PIEDS LOIN
	DANGER, GARDEZ LES MAINS ET PIEDS LOIN		DANGER, GARDEZ LES MAINS ET PIEDS LOIN
	DANGER, GARDEZ LES MAINS ET PIEDS LOIN		DANGER, GARDEZ LES MAINS ET PIEDS LOIN
	DANGER, GARDEZ LES MAINS ET PIEDS LOIN		DANGER, GARDEZ LES MAINS ET PIEDS LOIN
	DANGER, GARDEZ LES MAINS ET PIEDS LOIN		DANGER, GARDEZ LES MAINS ET PIEDS LOIN
	DANGER, GARDEZ LES MAINS ET PIEDS LOIN		DANGER, GARDEZ LES MAINS ET PIEDS LOIN
	DANGER, GARDEZ LES MAINS ET PIEDS LOIN		DANGER, GARDEZ LES MAINS ET PIEDS LOIN

	ROUE LIBRE (Seulement pour les mod les)		ROUE LIBRE (Seulement pour les mod les)
	ROUE LIBRE (Seulement pour les mod les)		ROUE LIBRE (Seulement pour les mod les)
	ROUE LIBRE (Seulement pour les mod les)		ROUE LIBRE (Seulement pour les mod les)
	ROUE LIBRE (Seulement pour les mod les)		ROUE LIBRE (Seulement pour les mod les)
	ROUE LIBRE (Seulement pour les mod les)		ROUE LIBRE (Seulement pour les mod les)
	ROUE LIBRE (Seulement pour les mod les)		ROUE LIBRE (Seulement pour les mod les)
	ROUE LIBRE (Seulement pour les mod les)		ROUE LIBRE (Seulement pour les mod les)
	ROUE LIBRE (Seulement pour les mod les)		ROUE LIBRE (Seulement pour les mod les)
	ROUE LIBRE (Seulement pour les mod les)		ROUE LIBRE (Seulement pour les mod les)
	ROUE LIBRE (Seulement pour les mod les)		ROUE LIBRE (Seulement pour les mod les)
	ROUE LIBRE (Seulement pour les mod les)		ROUE LIBRE (Seulement pour les mod les)

	ATTENTION indique un risque qui, s'il n'est pas évité, pourrait causer des blessures mineures ou modérées.		ATTENTION indique un risque qui, s'il n'est pas évité, pourrait causer des blessures mineures ou modérées.
	ATTENTION indique un risque qui, s'il n'est pas évité, pourrait causer des blessures mineures ou modérées.		ATTENTION indique un risque qui, s'il n'est pas évité, pourrait causer des blessures mineures ou modérées.
	ATTENTION indique un risque qui, s'il n'est pas évité, pourrait causer des blessures mineures ou modérées.		ATTENTION indique un risque qui, s'il n'est pas évité, pourrait causer des blessures mineures ou modérées.
	ATTENTION indique un risque qui, s'il n'est pas évité, pourrait causer des blessures mineures ou modérées.		ATTENTION indique un risque qui, s'il n'est pas évité, pourrait causer des blessures mineures ou modérées.
	ATTENTION indique un risque qui, s'il n'est pas évité, pourrait causer des blessures mineures ou modérées.		ATTENTION indique un risque qui, s'il n'est pas évité, pourrait causer des blessures mineures ou modérées.
	ATTENTION indique un risque qui, s'il n'est pas évité, pourrait causer des blessures mineures ou modérées.		ATTENTION indique un risque qui, s'il n'est pas évité, pourrait causer des blessures mineures ou modérées.
	ATTENTION indique un risque qui, s'il n'est pas évité, pourrait causer des blessures mineures ou modérées.		ATTENTION indique un risque qui, s'il n'est pas évité, pourrait causer des blessures mineures ou modérées.
	ATTENTION indique un risque qui, s'il n'est pas évité, pourrait causer des blessures mineures ou modérées.		ATTENTION indique un risque qui, s'il n'est pas évité, pourrait causer des blessures mineures ou modérées.
	ATTENTION indique un risque qui, s'il n'est pas évité, pourrait causer des blessures mineures ou modérées.		ATTENTION indique un risque qui, s'il n'est pas évité, pourrait causer des blessures mineures ou modérées.
	ATTENTION indique un risque qui, s'il n'est pas évité, pourrait causer des blessures mineures ou modérées.		ATTENTION indique un risque qui, s'il n'est pas évité, pourrait causer des blessures mineures ou modérées.
	ATTENTION indique un risque qui, s'il n'est pas évité, pourrait causer des blessures mineures ou modérées.		ATTENTION indique un risque qui, s'il n'est pas évité, pourrait causer des blessures mineures ou modérées.

Le manquement à suivre les instructions de sécurité pourrait résulter en de graves blessures ou même la mort. Le symbole d'alerte à la sécurité est utilisé pour identifier les informations de sécurité à propos des risques, qui peuvent avoir pour résultats la mort, de graves blessures et/ou endommager votre propriété.

DANGER indique un risque qui, s'il n'est pas évité, aura comme conséquence la mort ou des blessures graves.

AVERTISSEMENT indique un risque qui, s'il n'est pas évité, pourrait avoir comme conséquence la mort ou des blessures graves.

ATTENTION indique un risque qui, s'il n'est pas évité, pourrait causer des blessures mineures ou modérées.

ATTENTION lorsqu'il est utilisé sans le symbole d'alerte, indique une situation qui pourrait résulter en un endommagement du tracteur et/ou du moteur.

SURFACES CHAUDES indique un risque qui, s'il n'est pas évité, pourrait avoir comme conséquence la mort, des blessures graves et/ou l'endommagement de la propriété.

FEU indique un risque qui, s'il n'est pas évité, pourrait avoir comme conséquence la mort, des blessures graves et/ou l'endommagement de la propriété.

REMARQUE: Vous pouvez maintenant faire rouler le tracteur hors de la plateforme. Suivez les instructions ci-après pour retirer le tracteur de la plateforme.

AVERTISSEMENT: Avant le démarrage, nous vous prions de lire, comprendre et suivre toutes les instructions dans la section Fonctionnement de ce manuel d'instructions. S'assurer que le tracteur soit placé dans une zone bien aérée. S'assurer qu'il n'y ait aucune personne ou objet.

POUR RETIRER LE TRACTEUR DE LA PALETTE EN LE FAISANT ROULER (Voir la section fonctionnement pour connaître l'emplacement et la fonction des commandes.)

- Abaissez le levier de levage du piston et, placez le levier de levage d'accessoire à la position la plus haute.
- Appuyez sur la pédale de frein/embrayage pour dégager le frein de stationnement.
- Déplacez la commande de roue libre à la position roue libre pour débrayer la transmission. (Voir "POUR TRANSPORTER" dans la section Fonctionnement de ce manuel.)
- Retirez le tracteur hors de la palette en le faisant rouler.
- Enlevez le freinage qui tient le déflecteur de décharge contre le tracteur.

Continuez selon les instructions suivantes.

VÉRIFIER LA PRESSION DES PNEUS

Les pneus de votre tracteur ont été surgonflés à l'usine pour l'expédition. La pression de pneu correcte est importante pour les meilleurs résultats de tonde.

- Réduisez la pression de pneu à la pression montrée dans la côté de la pneu.

VÉRIFIER SI LA TONDEUSE EST DE NIVEAU

Pour les meilleurs résultats de tonde, le boîtier de tondeuse doit être correctement nivelé. Référez-vous à la section "POUR NIVELER LE BOÎTIER DE TONDEUSE" dans la section Entretien et Réglages de ce manuel.

VÉRIFIER SI TOUTES VÉRIFIER SI TOUTES LES COURROIES SONT CORRECTEMENT EN PLACE

Référez-vous aux figures qui sont illustrées pour le remplacement des courroies d'entraînement de lame de tondeuse et des courroies de déplacement dans la section Entretien et Réglages de ce manuel. Assurez-vous que toutes les courroies soient correctement en position dans les guides-courroie.

VÉRIFIER LE SYSTÈME DE FREIN

Après vous être familiarisé avec le fonctionnement de votre tracteur, vérifiez si les freins fonctionnent correctement. (Voir "POUR VÉRIFIER LES FREINS" dans la section Entretien et Réglages de ce manuel.)

LISTE DE CONTRÔLE

AVANT D'UTILISER VOTRE TRACTEUR, NOUS VOULONS NOUS ASSURER QUE VOUS RECEVREZ LE MEILLEUR RENDMENT DE CE PRODUIT DE QUALITÉ ET QUE VOUS EN SEREZ SATISFAIT.

LISEZ LA LISTE DE CONTRÔLE:

Toutes les instructions ont été exécutées.

Il n'y a pas de pièces détachées dans le carton.

La batterie a été correctement préparée et chargée.

Le siège a été ajusté à une position confortable et il a été serré à fond.

Tous les pneus ont été correctement gonflés. (Les pneus ont été surgonflés pour l'expédition.)

Assurez-vous que le carter de tondeuse ait été correctement nivelé du devant à l'arrière/d'un côté à l'autre pour obtenir les meilleurs résultats. (Les pneus doivent être correctement gonflés pour le nivellement.)

Vérifiez la tondeuse et les courroies d'entraînement. Assurez-vous qu'elles soient EMBRAYÉES sur les poulies et à l'intérieur de tous les guides-courroie.

Vérifiez le câblage. Assurez-vous que toutes les connexions soient bien attachées et que les fils soient correctement serrés.

Avant de conduire le tracteur, assurez-vous que la commande de la roue libre soit à la position de "TRANSMISSION EMBRAYÉE" (Référez-vous aux sections de "POUR TRANSPORTER LE TRACTEUR" dans la section l'Utilisation de ce manuel.)

PENDANT QUE VOUS APPRENEZ À UTILISER VOTRE TRACTEUR, FAITES ATTENTION AU:

Niveau d'huile de moteur.



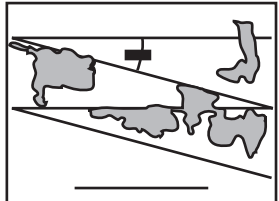
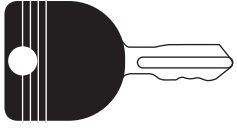

Réservoir d'essence (remplir d'essence sans plomb normale, fraîche, et propre).

Avant de démarrer le moteur, assurez-vous que vous comprenez la fonction et l'emplacement de toutes les commandes.

Assurez-vous que le système de frein fonctionne sans risque.

Vérifiez si le Système de présence de l'opérateur et le Système de fonctionnement en marche arrière (ROS) fonctionnent correctement. (Référez-vous à la section l'Utilisation de ce manuel.)

PIÈCES PAS ASSEMBLÉ

<p>Battery</p> <p>(2) Boulon </p> <p>(2) Écrou </p>	<p>Guide-pente</p> 	<p>Ciè</p> <p>Ciè(s) </p> <p>(1) Tube de Vidange </p>
--	---	---

MONTAGE

Votre nouveau tracteur a été monté à l'usine sauf les pièces qui ne sont pas montées pour l'expédition.

LES OUTILS EXIGÉS POUR LE MONTAGE DE VOTRE TRACTEUR

Un jeu de clé à douille rendra le montage. Les dimensions normales des clés sont inscrites.

(1) Clé de 5/16" Couteau tout usage

(2) Clés de 7/16" Manomètre à pneu

(2) Clés de 1/2" Pince

(1) Clé de 9/16"

Quand on utilise l'expression "DROITE" ou "GAUCHE", elle signifie la droite ou la gauche à partir de la position derrière le volant de direction.

POUR SORTIR LE TRACTEUR DU CARTON

DEBALLER LE CARTON

- Enlevez toutes les pièces détachées et les petites boîtes contenant les pièces du carton .
- Couper le long des lignes pointillées sur les quatre surfaces de carton. Enlever les panneaux situés à chaque bout et étendre à plat les panneaux des côtés.
- Vérifiez s'il y a des pièces détachées et conservez-les.

AVANT RETIRER LE TRACTEUR DE PALETTE

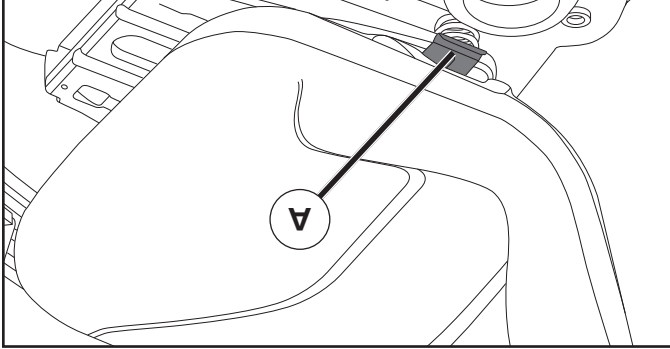
VÉRIFIER LA BATTERIE (Voir la Fig. 1)

- Levez le siège à la position élevée.

REMARQUE: Si cette batterie est mise en service après le mois ou l'année indiquée sur l'étiquette (Étiquette localisée entre les bornes), chargez la batterie pour un minimum d'une heure à 6-10 amps. (Voir "BATTERIE" dans la section Entretien de ce manuel).

- Pour installer la batterie et câble du batterie suivez le procédé décrit dans la section "REPLACEZ LA BATTERIE" dans la section "REVISION ET REGLAGES" de ce manuel.

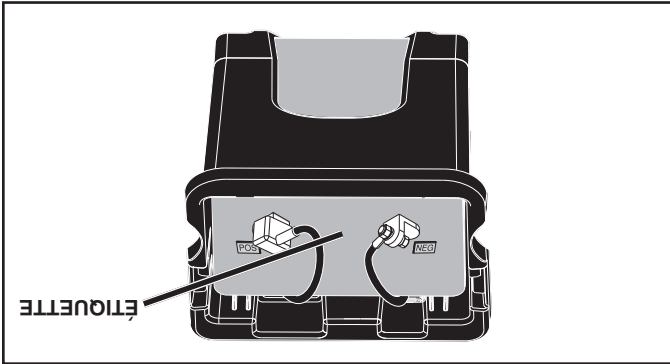
Fig. 2



- Associez-vous sur le siège.
- Soulevez le levier de réglage (a) et glissez le siège jusqu'à ce que vous soyez dans une position confortable qui vous permet d'appuyer complètement sur la pédale d'embrayage/train.
- Relâchez du levier pour assurer le siège en position.

AJUSTEZ LE SIÈGE (Voir la Fig. 2)

Fig. 1



SPÉCIFICATIONS DE PRODUIT

Capacité et le type	9,46 L / 2,5 Gallons
d'essence:	l'essence sans plomb normale*
Type d'huile	SAE 30 (supérieure de 32°F/0°C) (API: SG-SL): SAE 5W30 (inférieure de 32°F/0°C) SYNTHETIC (inférieure de 0°F/-18°C)
Capacité	Avec un filtre: 1,65 L/56 OZ. Sans filtre: 1,4 L/48 OZ.
d'huile:	Champion 696798 (Écart: .030"/0,76 mm)
Bougie d'allumage:	3 ampères de batterie
Système de chargement:	5 ampères des phares
Batterie:	Amp/HR: 28 Min. CCA: 230 Dimension: U1R
Couple de rotation	62-75 Nm (45-55 Ft. Lbs.)

* Vous pouvez utiliser de l'essence contenant jusqu'à 10% d'éthanol (E10) avec cet appareil. L'utilisation d'essence contenant plus de 10% d'éthanol annulera la garantie du produit.

FÉLICITATIONS pour votre achat. Ce tracteur a été conçu, perfectionné, et fabriqué pour assurer un rendement et une sûreté maximum. S'il survient un problème que vous ne pouvez pas résoudre, contactez le centre d'entretien autorisé le plus proche. Vous y trouverez des techniciens qualifiés équipés des outils appropriés pour faire l'entretien et la réparation de ce tracteur. Veuillez lire et conserver ce manuel. Les instructions qu'il contient vous permettront de monter, et d'entretenir correctement votre tracteur. Observez toujours les "RÈGLES DE SÉCURITÉ".

CONTRAT D'ENTRETIEN

Il existe un contrat d'entretien Sears pour ce produit. Contactez le magasin Sears le plus proche pour des informations supplémentaires.

RESPONSABILITÉS DU CLIENT

- Lisez et observez les règles de sécurité.
- Suivez un programme régulier d'entretien, et d'utilisation du tracteur.
- Suivez les instructions dans les sections Entretien et Entreposage de ce manuel.
- Porter de l'équipement de protection individuelle lors de l'utilisation de cette machine, y compris (à tout le moins) des souliers résistants, des lunettes de sécurité et un protecteur auriculaire. Ne pas tondre le gazon avec culottes courtes et/ou des souliers à bout ouvert.
- Toujours aviser une autre personne lorsque vous êtes à l'extérieur pour tondre le gazon.

AVERTISSEMENT: Ce tracteur est équipé d'un moteur à combustion interne et il ne doit pas être utilisé sur ou près d'un terrain couvert d'arbres, d'arbustes, ou d'herbes si le système d'échappement n'est pas muni d'un pare-étincelles qui rencontre les exigences des lois locales applicables. Quand un pare-étincelles est utilisé, il doit être maintenu en bon état de fonctionnement par l'opérateur.

Un pare-étincelles pour le silencieux est disponible au centre d'entretien autorisé le plus proche.

SOMMAIRE

RÈGLES DE SÉCURITÉ.....	2-3
SPÉCIFICATIONS DE PRODUIT	4
RESPONSABILITÉS DU CLIENT	4
MONTAGE	6-8
UTILISATION	9-15
GUIDE D'ENTRETIEN	16
ENTRETIEN	16-19
RÉVISION ET RÉGLAGES	20-25
ENTREPOSAGE	26
GUIDE DE DÉPANNAGE	27-28
GARANTIE	30

RÈGLES DE SÉCURITÉ

Conseils pour l'utilisation en toute sécurité des tracteurs



III. ENFANTS

AVERTISSEMENT: LES ENFANTS PEUVENT ÊTRE BLESSÉS PAR CET ÉQUIPEMENT. L'AMERICAN ACADEMY OF PEDIATRICS RECOMMANDE QUE LES ENFANTS SOIENT ÂGÉS D'AU MOINS 12 ANS AVANT DE POUVOIR UTILISER UNE TONDEUSE À CONDUCTEUR À PIED ET D'AU MOINS 16 ANS DANS LE CAS D'UN TRACTEUR À GAZON.

Des accidents tragiques peuvent avoir lieu si l'opérateur ne fait pas très attention en présence d'enfants. Les enfants sont souvent très attirés par la machine et par la tondeuse. Ne croyez jamais que les enfants restent immobiles à l'endroit où vous venez de les laisser.

- Les enfants doivent se tenir hors de la zone de tondeuse et sous la supervision d'un adulte responsable, autre que l'opérateur. Faites très attention et éteignez le moteur si un enfant pénètre dans la zone.
- Regardez toujours s'il n'y a pas d'enfants en bas âge vers le bas et vers l'arrière avant et pendant la marche arrière.
- Ne transportez jamais d'enfant même si les lames ne tournent pas. Ils pourraient tomber et se blesser gravement ou gêner le fonctionnement de la machine. Les enfants qui ont déjà été transportés auparavant risquent de se précipiter dans la zone de tondeuse pour faire un autre tour et d'être renversés par la machine.
- Ne laissez jamais les enfants utiliser la machine. Faites très attention à proximité des angles morts, des arbustes, des arbres ou d'autres objets susceptibles de cacher un enfant à la vue.

IV. REMORQUAGE

- Ne remorquez qu'avec un véhicule conçu pour l'attelage. N'accrochez l'appareil remorqué qu'au crochet d'attelage. Suivez les recommandations du fabricant quant aux limites de poids des appareils remorqués et au remorquage dans les pentes.
- Ne laissez jamais les enfants ou d'autres personnes à bord des appareils remorqués.
- Dans les pentes, le poids de l'appareil remorqué risque de provoquer une perte de traction ou de contrôle.
- Circulez lentement en maintenant les distances pour vous arrêter.

V. ENTRETIEN

MANIPULATION SÛRE DE L'ESSENCE

- Manipulez l'essence avec une prudence extrême afin d'éviter les blessures personnelles et les dégâts matériels. L'essence est extrêmement inflammable et les vapeurs sont explosives. Éteignez les cigarettes, les cigares, les pipes et toutes les autres sources d'inflammation.
- N'utilisez que des récipients d'essence homologués.
- Il est strictement interdit d'ôter le capuchon du carburant ou d'ajouter du carburant lorsque le moteur est en marche. Laissez le moteur refroidir avant de faire le plein.
- Ne faites jamais le plein à l'intérieur.
- Ne rangez jamais la machine ou le récipient du carburant dans un endroit en présence d'une flamme libre, d'étincelles ou d'une flamme pilote, comme par exemple un chauffe-eau ou d'autres appareils.
- Ne remplissez jamais les récipients dans un véhicule ou un camion ou une remorque ayant un revêtement en plastique. Placez toujours les récipients au sol, loin du véhicule, avant de les remplir.
- Déchargez les appareils à essence du camion ou de la remorque et faites le plein au sol. Si cela est impossible, faites le plein avec un récipient portable plutôt qu'avec une pompe. Laissez la buse au contact du bord du réservoir d'essence ou de l'ouverture du récipient jusqu'à la fin de l'opération de remplissage. N'utilisez pas de dispositif de verrouillage de la buse ouverte.

- Si du carburant tombe sur vos vêtements, changez-les immédiatement.
- Ne faites jamais déborder le réservoir. Remettez le capuchon de gaz en place et serrez solidement.

ENTRETIEN GÉNÉRAL

- Ne faites jamais fonctionner la machine dans un endroit clos. Tous les écrous et les boulons doivent être bien serrés pour que l'appareil fonctionne en condition de sécurité. Bien contrôler jamais les dispositifs de sécurité. Vérifiez régulièrement leur bon fonctionnement.
- Libérez la machine des brins d'herbe, des feuilles ou autres débris accumulés susceptibles de toucher le tuyau d'échappement ou les parties chaudes du moteur et de brûler. Nettoyez l'huile ou le carburant versés et éliminez les débris imbibés de carburant. Laissez la machine refroidir avant de la ranger. Si vous heurtez un objet, arrêtez et inspectez la machine. Réparez-la au besoin avant de redémarrer.
- N'effectuez jamais ni réglages, ni réparations avec le moteur en marche.
- Inspectez fréquemment les composants du bac de ramassage et la goulotte de décharge, et remplacez avec les pièces recommandées du fabricant, selon le besoin.
- Les lames de la tondeuse sont affûtées. Enveloppez les lames ou portez des gants et faites très attention pendant les opérations d'entretien.
- Vérifiez fréquemment le fonctionnement du frein. Effectuez les opérations de réglage et d'entretien requises.
- Conservez et remplacez au besoin les autocollants de sécurité et d'instruction.
- Vérifiez si personne ne stationne dans la zone avant de commencer. Si quelqu'un pénètre dans la zone arrêtez la machine.



- Ne portez jamais de passager.
- Ne tondez pas en marche arrière, sauf en cas de nécessité absolue. Regardez toujours vers le bas et vers l'arrière avant et pendant la marche arrière.
- Ne transportez jamais d'enfant même si les lames ne tournent pas. Ils pourraient tomber et se blesser gravement ou gêner le fonctionnement de la machine. Les enfants qui ont déjà été transportés auparavant risquent de se précipiter dans la zone de tondeuse pour faire un autre tour et d'être renversés par la machine.
- Les enfants doivent se tenir hors de la zone de tondeuse et sous la supervision d'un adulte responsable, autre que l'opérateur. Faites très attention et éteignez le moteur si un enfant pénètre dans la zone.
- Regardez toujours s'il n'y a pas d'enfants en bas âge vers le bas et vers l'arrière avant et pendant la marche arrière. Tondez les pentes en montant et en descendant (15° maxi), jamais transversalement.
- Faites très attention et éteignez le moteur si un enfant pénètre dans la zone.
- Sélectionnez une vitesse sol faible afin de ne pas devoir ralentir ou changer de débrayages, arrêts ou virages dans les pentes. Évitez d'effectuer les débrayages, arrêts ou virages dans les pentes. Si les pneus n'adhèrent plus, dégagez les lames et procédez lentement vers le bas de la pente.
- Si la machine s'arrête en montée, dégagez les lames, engagez la marche arrière et reculez lentement.
- N'effectuez pas de virage dans les pentes si cela n'est pas strictement nécessaire, et dans ce cas tournez lentement et progressivement dans la descente.
- Au moment de charger ou de décharger la machine, ne pas dépasser l'angle de fonctionnement maximal recommandé de 15°.

DANGER: CET TRACTEUR PEUT AMPUTER LES MAINS, LES PIEDS ET PROJETER DES OBJETS, LES BLESSURES SÉRIEUSES ET MÊME MORTELLES.



RÈGLES DE SÉCURITÉ



Conseils pour l'utilisation en toute sécurité des tracteurs

- Ne pas faire fonctionner la machine sans le bac de ramassage complet, la goulotte de décharge ou tout autre dispositif de sécurité en place et en fonction.
- Ralentissez avant de tourner.
- Ne laissez jamais la machine en marche sans surveillance. Arrêtez toujours les lames, tirez le frein à main, arrêtez le moteur et enlevez les clés avant de descendre.
- Débrayer les lames quand on ne tond pas. Arrêter le moteur et attendre que toutes les pièces soient complètement arrêtées avant de nettoyer la machine, de retirer le bac de ramassage ou de décharger la goulotte de décharge.
- Ne faites marcher la machine que le jour ou à la lumière artificielle.
- Ne faites pas marcher la machine si vous êtes sous l'influence de l'alcool ou de drogues.
- Faites attention à la circulation si vous opérez à proximité d'une route ou si vous la traversez.
- Faites très attention lorsque vous chargez la machine sur un camion ou une remorque.
- Portez toujours des lunettes de protection lorsque vous utilisez la machine.
- Utilisez des protecteurs d'oreilles pour éviter d'endommager l'audition.
- Les statistiques montrent que les accidents provoqués par des tondeuses autoprotégées sont plus fréquents chez les opérateurs de plus de 60 ans. Ces personnes doivent évaluer leur capacité de conduire une tondeuse en garantissant un niveau de sécurité adéquat à eux-mêmes et aux autres.
- Respectez les recommandations du fabricant au niveau des poids des roues et des contre-poids.
- Libérez la machine des brins d'herbe, des feuilles ou autres débris accumulés susceptibles de toucher le tuyau d'échappement ou les parties chaudes du moteur et de brûler. Ne laissez pas le bac de la tondeuse cisailier des feuilles ou d'autres débris susceptibles de s'accumuler. Nettoyez l'huile et le carburant éventuellement versé avant d'utiliser ou de ranger la machine. Laissez la machine refroidir avant de la ranger.

- Les pentes sont très souvent à l'origine de pertes de contrôle et de tonneaux, susceptibles de provoquer de graves blessures, même mortelles. Soyez très prudent lorsque vous opérez dans les pentes. Si vous n'êtes pas en mesure d'affronter les pentes ou si vous vous sentez mal à l'aise, ne les tondez pas.
- Tondez les pentes en montant et en descendant, jamais transversalement.
- Faites attention aux trous, aux ornières, aux bosses ou autres objets cachés. La machine risque de capoter sur les sols inégaux. L'herbe haute peut cacher des obstacles.
- Sélectionnez une vitesse soignée afin de ne pas devoir ralentir ou changer de vitesse dans les pentes.
- Ne tondez pas sur l'herbe humide. Les pneus risquent de mal adhérer.
- Laissez toujours la machine embrayer lorsque vous descendez une pente. Ne mettez jamais au point mort dans les descentes. Évitez d'effectuer les démarrages, arrêts ou virages dans les pentes. Si les pneus n'adhèrent plus, dégagez les lames et procédez lentement vers le bas de la pente.
- Dans les pentes n'effectuez que des mouvements lents et progressifs. Ne changez jamais brusquement de vitesse ou de direction afin de ne pas faire culbuter la machine. Faites très attention lorsque vous utilisez la machine avec un ramassage herbe ou d'autres accessoires ; ils risquent de nuire à la stabilité de la machine. Ne l'utilisez pas sur des pentes très raides.
- N'essayez pas de stabiliser la machine en mettant un pied à terre.
- Ne tondez jamais à proximité des ravins, des fossés ou des talus. La machine risque de culbuter à l'improviste par-dessus bord ou de précipiter si le bord s'éboule.

II. FONCTIONNEMENT DANS LES PENTES

- Les bornes des batteries, ainsi que toutes les bornes et leurs accessoires contenant du plomb, des dérivés de plomb ou des produits chimiques à base de plomb, sont reconnus dangereux par l'Etat de la Californie, parce que cancérigènes ou tératogènes ou responsables d'autres troubles de la reproduction. Lavez-vous soigneusement les mains après les avoir touchés.

AVERTISSEMENT: Débranchez toujours le fil de bougie d'allumage et pour prévenir les démarrages accidentels, posez-le de telle façon qu'il ne puisse pas entrer en contact avec la bougie d'allumage lors de l'installation, du transport, des ajustements ou des réparations.

AVERTISSEMENT: Ne descendez pas les pentes à point mort, vous pourriez perdre la commande du tracteur.

AVERTISSEMENT: Remorquez seulement les accessoires recommandés par et selon les spécifications du fabricant de votre tracteur. Utilisez votre bon sens pendant que vous remorquez. Opérez seulement avec la vitesse la plus réduite pendant que vous allez sur une pente. Il est dangereux d'avoir un chargement trop lourd pendant que vous opérez sur une pente. Les pneus peuvent détruire la traction avec la terre et vous faire perdre la commande de votre tracteur.

AVERTISSEMENT: Les gaz d'échappement et certains composants des véhicules contiennent ou émettent des produits chimiques reconnus dangereux par l'Etat de la Californie, parce que cancérigènes ou tératogènes ou responsables d'autres troubles de la reproduction.

AVERTISSEMENT: Les bornes des batteries, ainsi que toutes les bornes et leurs accessoires contenant du plomb, des dérivés de plomb ou des produits chimiques à base de plomb, sont reconnus dangereux par l'Etat de la Californie, parce que cancérigènes ou tératogènes ou responsables d'autres troubles de la reproduction. Lavez-vous soigneusement les mains après les avoir touchés.

I. FONCTIONNEMENT GÉNÉRAL

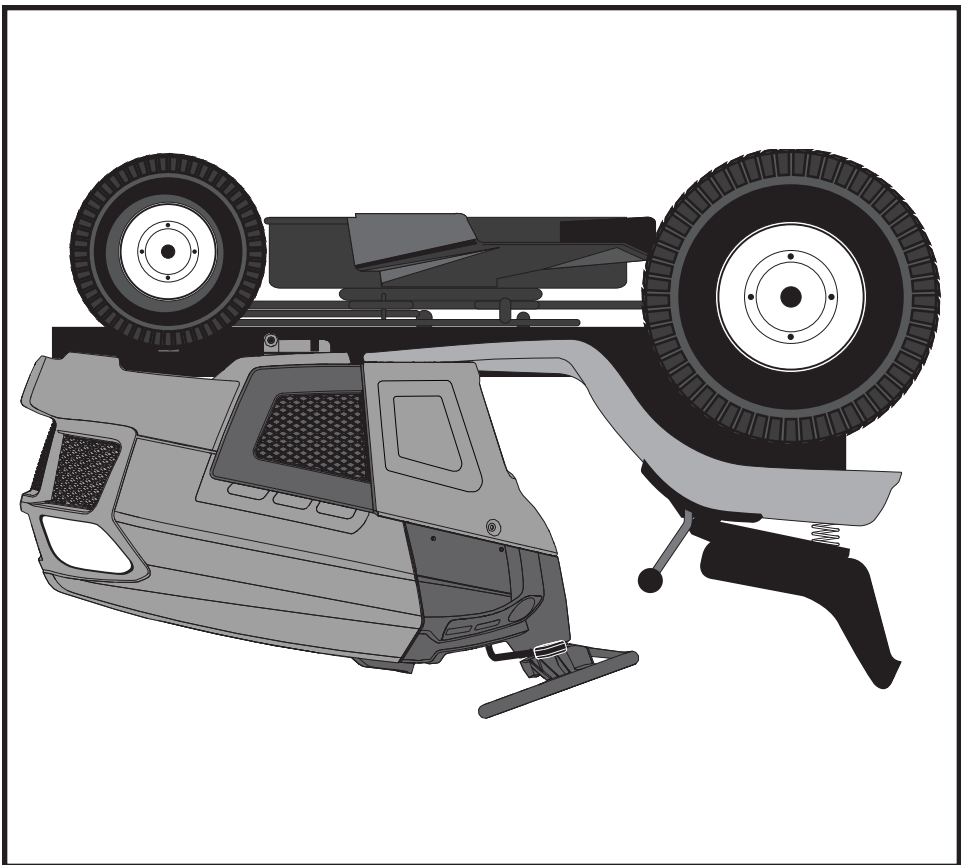
- Veuillez lire, comprendre et suivre les instructions que vous trouverez sur la machine et dans le manuel avant de commencer.
- Ne mettez ni vos mains ni vos pieds à proximité des parties tournantes ou sous la machine. Les orifices d'évacuation doivent être toujours libres.
- Seuls les adultes responsables doivent être autorisés à utiliser la machine.
- Débarassez la zone des objets comme les pierres, les jouets, les fils de fer, etc., susceptibles d'être prélevés et projetés par les lames.
- Vérifiez si personne ne stationne dans la zone avant de commencer. Si quelqu'un pénètre dans la zone arrêtez la machine.
- Ne portez jamais de passager.
- Ne tondez pas en marche arrière, sauf en cas de nécessité absolue. Regardez toujours vers le bas et vers l'arrière avant et pendant la marche arrière.
- Ne dirigez jamais le matériau déchargé vers qui que ce soit.
- Évitez de décharger le matériau contre un mur ou un obstacle. Le matériau risque de rebondir vers l'opérateur. Arrêtez les lames lorsque vous traversez des allées gravillonnées.

Sears Canada, Inc., Toronto, Ontario M5B 2B8

* La puissance nominale indiquée par le fabricant du moteur est la puissance brute moyenne (à un régime en tr/min spécifique) d'un moteur de production type pour le modèle de moteur mesuré selon les normes SAE pour la puissance brute du moteur. Se reporter au fabricant du moteur pour tous les détails.

- Révision et Réglages
- Entretien
- Utilisation
- Montage

20,0 C.V.*
DÉMARRAGE ÉLECTRIQUE
TONDEUSE DE 107 CM (42 PO.)
AUTOMATIQUE
TRACTEUR DE PELOUSE



IMPORTANT:
 Lisez et suivez le mode d'emploi et toutes les règles de sécurité avant d'utiliser cet équipement

**NUMÉRO DE
 MODÈLE
 944.60426**

**SEARS
 MANUEL DE
 L'OPÉRATEUR**