

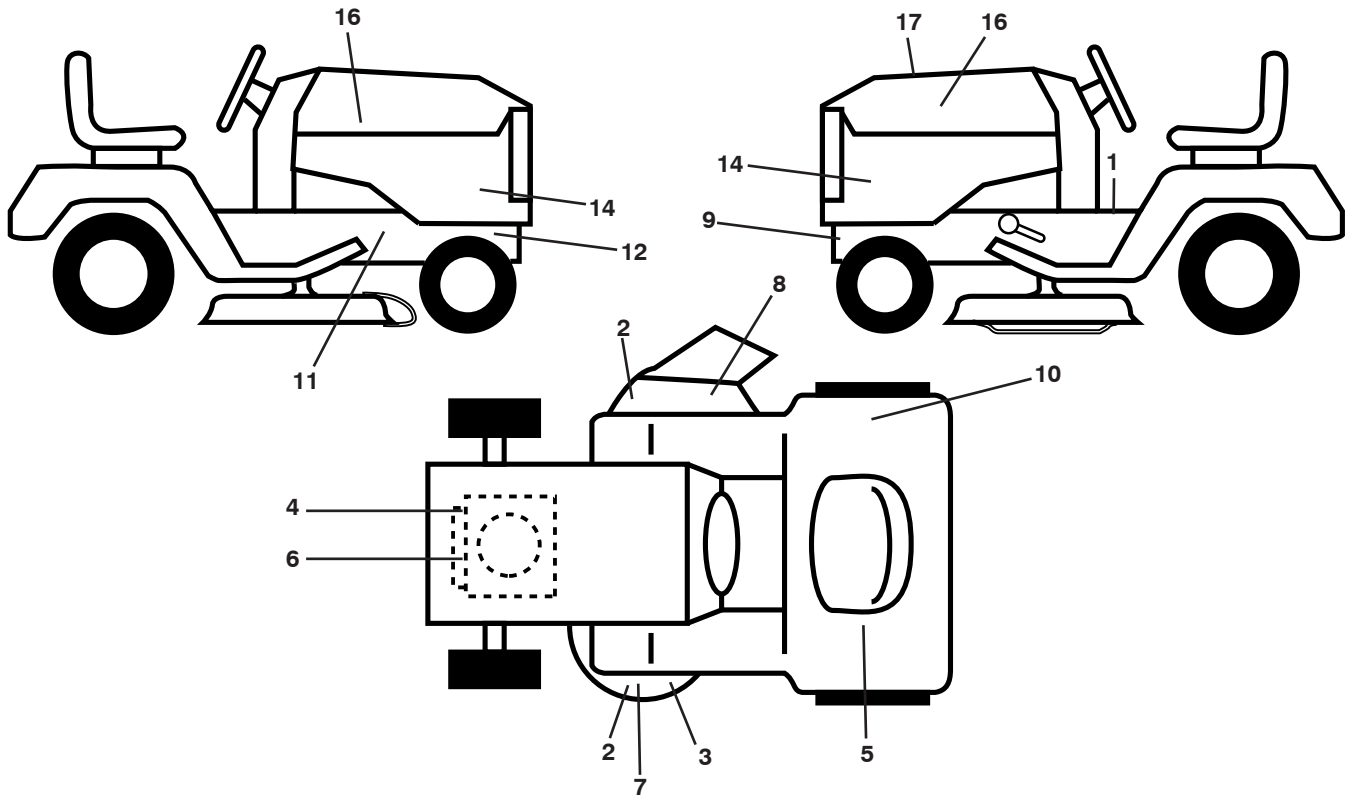
ILLUSTRATED PARTS LIST

MFG. ID NO. 96041042500

CUSTOMER CATALOG NO. TS 348XD

PRODUCT NO. 960 41 04-25

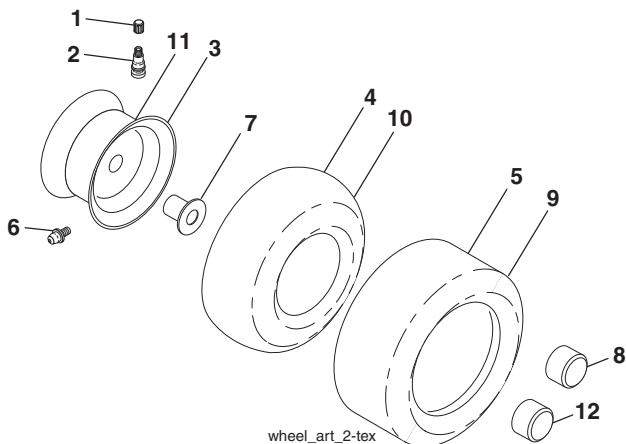
**TRACTOR - - MODEL NO. TS 348XD (96041042500), PRODUCT NO. 960 41 04-25
DECALS 27**



KEY NO.	PART NO.	DESCRIPTION
1	586 04 73-02	Decal, Warning
2	589 35 79-01	Decal, No Step
3	581 58 00-02	Decal, Mower Sch.
4	581 57 97-01	Decal, Engine
5	587 01 51-01	Decal, Reserve Fuel
6	594 72 71-01	Decal, B&S
7	590 88 50-01	Decal, Clearcut
8	586 97 88-01	Decal, Deflect. Warning
9	581 72 46-01	Decal, Chassis Drawbar
10	588 04 98-01	Decal, Fend.
11	581 57 96-01	Decal, Hot Muffler

KEY NO.	PART NO.	DESCRIPTION
12	581 57 98-01	Decal, Warn.
14	591 44 85-01	Decal, Panel Side
16	581 62 73-01	Decal, Hood Logo
17	594 91 97-01	Decal, Replacement
--	581 72 48-01	Decal, Bypass
--	532 43 98-82	Pad, Footrest, LH
--	532 43 98-81	Pad, Footrest, RH
--	114 03 65-40	Manual Operator's (Euro)
--	114 03 66-50	Manual Operator's (Scan)
--	114 03 67-20	Manual Operator's (E-Bloc)
--	114 03 68-30	Manual Operator's (Baltic)

WHEELS AND TIRES

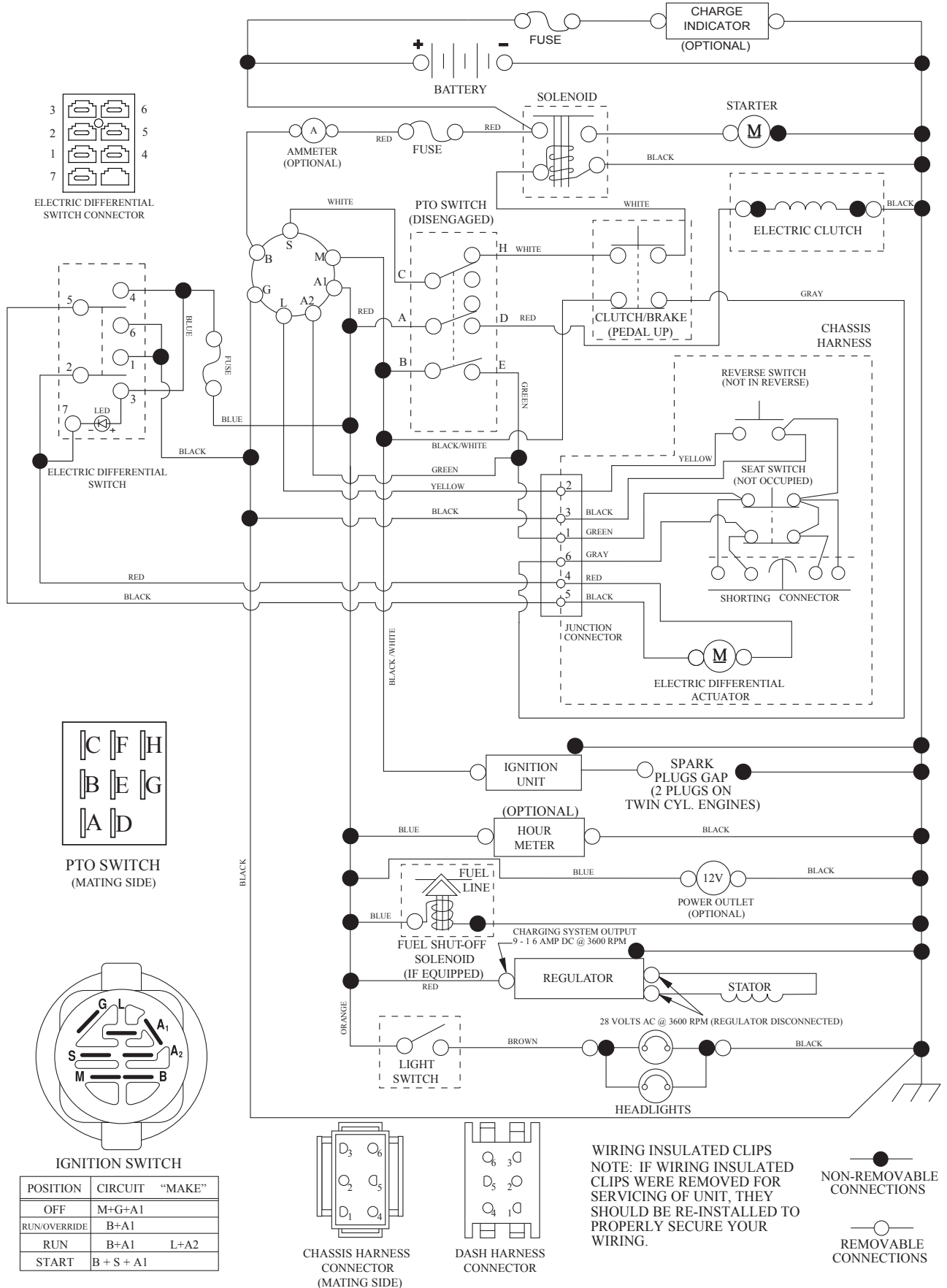


KEY NO.	PART NO.	DESCRIPTION
1	532 05 91-92	Cap, Valve, Tire
2	532 06 51-39	Stem, Valve
3	532 18 18-39	Rim Assembly, Front
4	532 00 81-34	Tube, Front (Service Item Only)
5	593 14 51-01	Tire, Front 16 x 6.5-8
6	532 12 49-57	Fitting, Grease (Front Wheel Only)
7	532 12 49-59	Bearing, Flange (Front Wheel Only)
8	532 17 50-39	Cap, Axle, Front
9	593 14 52-01	Tire, Rear 23 x 10.5-12
10	532 00 71-54	Tube, Rear (Service Item Only)
11	593 14 48-01	Rim Assembly, Rear
12	501 50 31-01	Cap, Hub, GT, PM, Black, Rear
--	532 14 43-34	Sealant, Tire (10 oz. Tube)

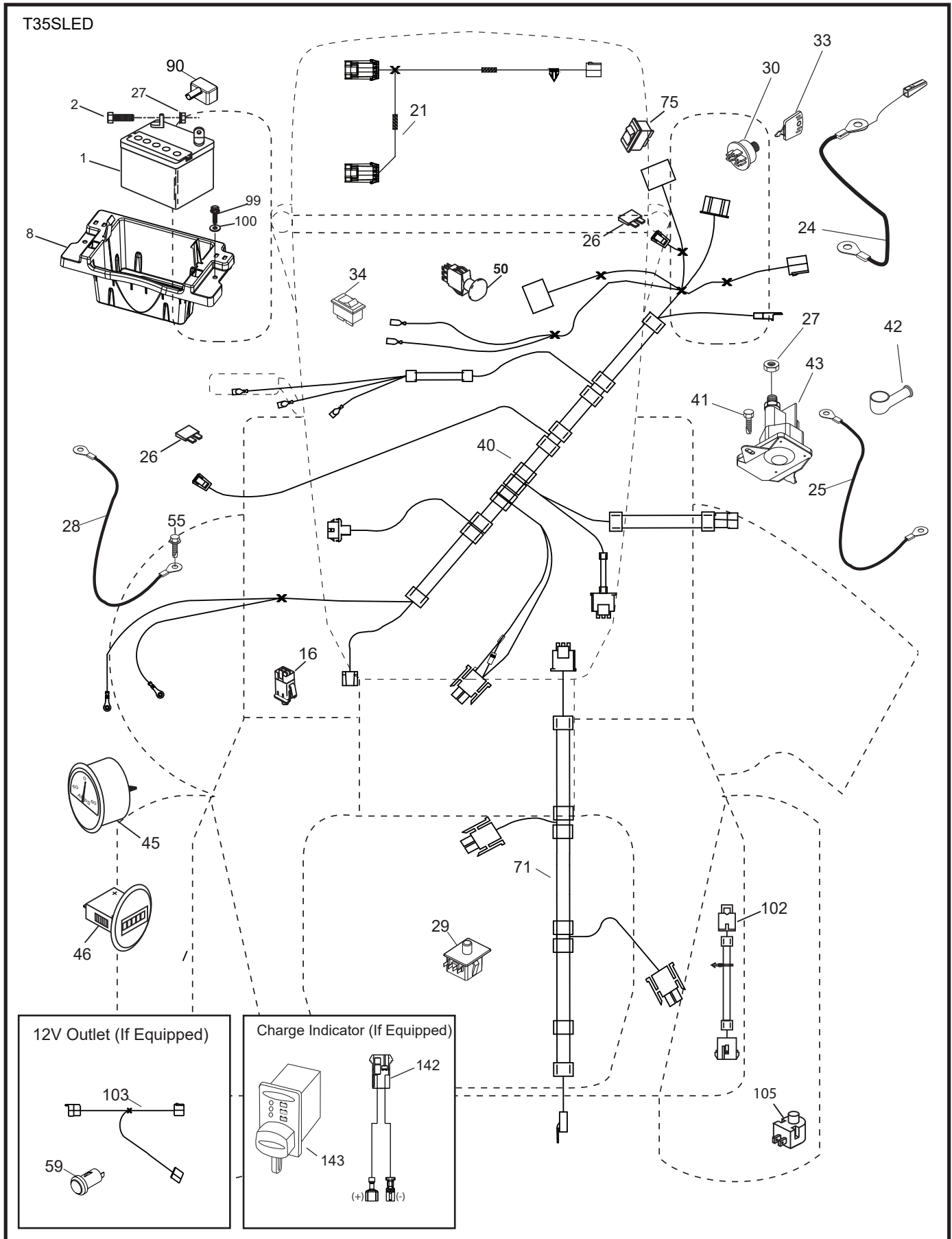
NOTE: All component dimensions given in U.S. inches
1 inch = 25.4 mm

TRACTOR - - MODEL NO. TS 348XD (96041042500), PRODUCT NO. 960 41 04-25 SCHEMATIC **38**

SCH27



TRACTOR - - MODEL NO. TS 348XD (96041042500), PRODUCT NO. 960 41 04-25
ELECTRICAL 32

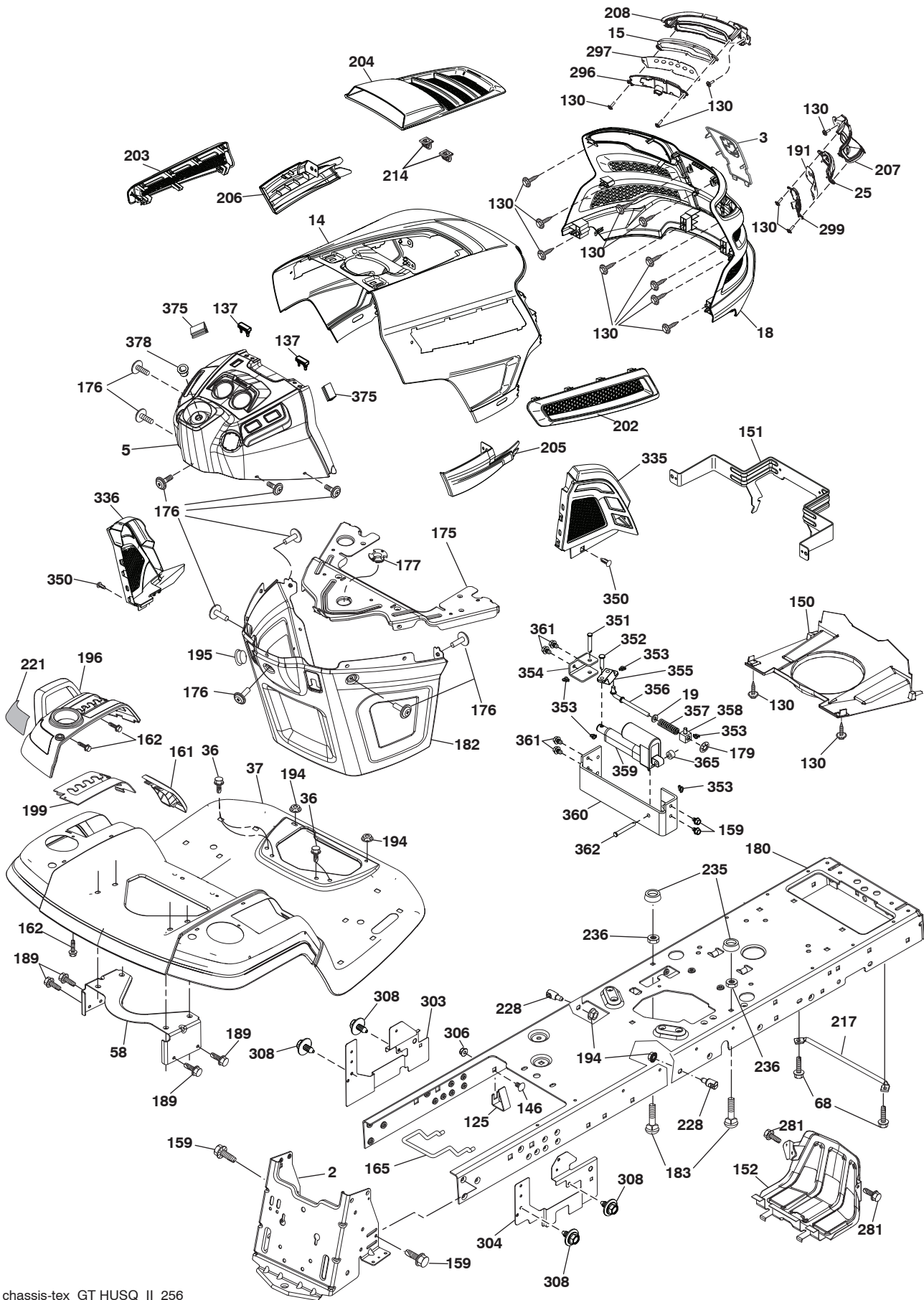


**TRACTOR - - MODEL NO. TS 348XD (96041042500), PRODUCT NO. 960 41 04-25
ELECTRICAL 32**

KEY NO.	PART NO.	DESCRIPTION
1	532 16 34-65	Battery
2	874 76 04-12	Bolt Hex Hd 1/4-20 unc x 3/4
8	587 20 51-01	Battery Box
16	532 17 61-38	Switch Interlock
21	585 43 64-01	Harness LED Head Light
24	585 55 56-01	Cable Battery
25	585 55 55-01	Cable Starter
26	532 17 51-58	Fuse
27	873 51 04-00	Nut Keps Hex 1/4-20 unc
28	532 41 65-88	Cable Ground 21" Blk 6 Ga.
29	532 19 27-49	Switch Seat
30	532 19 33-50	Switch Ign
33	532 41 19-33	Key/Chain
34	532 11 07-12	Switch Light/Reset
40	595 07 52-01	Harness Ign. Dash
41	817 72 04-08	Screw 1/4-20 unc x 1/2
42	532 13 15-63	Cover Terminal Red
43	582 04 28-01	Solenoid
45	587 55 39-03	Ammeter Round
46	587 55 40-03	Gauge Hourmeter
50	582 10 76-01	Switch PTO
55	817 06 05-12	Screw Thdrol 5/16-18 x 3/4
71	580 51 30-01	Harness Ign Chassis
75	580 36 64-01	Switch On/On
90	532 43 53-95	Cover Terminal Battery
99	817 67 04-12	Screw Hexwsh Thdrol 1/4-20 x 3/4
100	819 09 14-16	Washer 9/32 x 7/8 x 16 Ga.
102	532 40 44-54	Harness Pigtail ROS
105	532 40 75-68	Switch Reverse
142	583 85 78-01	Harness Charge Port
143	532 44 80-59	Charge Port

NOTE: All component dimensions given in U.S. inches
1 inch = 25.4 mm

TRACTOR - - MODEL NO. TS 348XD (96041042500), PRODUCT NO. 960 41 04-25
CHASSIS AND ENCLOSURES **39**



**TRACTOR - - MODEL NO. TS 348XD (96041042500), PRODUCT NO. 960 41 04-25
CHASSIS AND ENCLOSURES 39**

KEY NO.	PART NO.	DESCRIPTION
2	580 43 44-01	Drawbar
3	532 44 44-81	Applique Husq.
5	590 74 00-22	Dash
14	532 44 11-77	Hood
15	585 42 03-01	Lens LH
18	587 52 34-01	Grille
19	819 13 13-12	Washer 13/32 x 13/16 x 12 Ga.
25	585 42 02-01	Lens RH
36	817 06 05-12	Screw 5/16-18 x 3/4
37	532 44 12-08	Fender
58	532 19 43-14	Bracket Fender
68	539 99 08-58	Screw 5/16-18 x 1/2
125	581 68 48-01	Clip Fuel Line
130	532 41 63-58	Screw #10 x 0.750 BOS Thread
137	532 40 75-90	Bumper Dash
146	581 85 79-01	Bolt
150	532 43 97-74	Duct Heat Hood
151	532 43 66-70	Bracket Pivot Hood
152	532 43 98-70	Shield Browning
159	817 00 06-12	Screw 3/8-16 x 3/4
161	532 43 99-29	Console Fuel Window
162	532 14 24-32	Screw Hex Wsh Hi-Lo 1/4 x 1/2
165	532 19 43-30	Bracket Support Tank
175	590 60 77-02	Crossmember
176	532 40 07-76	Screw 10-24 x 5/8 Wshd Qdrx
177	532 19 52-28	Bushing Steering
179	532 16 89-37	Nut Push
180	593 34 63-02	Chassis
182	532 40 68-59	Dash Lower
183	874 52 05-20	Bolt 5/16-18 x 1-1/4
189	817 00 05-12	Screw 5/16-18 x 3/4
191	586 18 28-01	Insert Reflect. RH
194	873 90 05-00	Nut Lock Hex Flange 5/16-18
195	532 40 41-37	Plug Hole Dash
196	532 43 96-74	Console Asm. Deck Lift
199	532 19 82-59	Plate Deck Lift
202	532 43 97-28	Vent Side Hood RH
203	532 43 97-27	Vent Side Hood LH
204	532 44 44-84	Vent Asm Hood Top
205	532 43 97-30	Trim Hood Side RH

KEY NO.	PART NO.	DESCRIPTION
206	532 43 97-29	Trim Hood Side LH
207	585 42 00-02	Bezel RH
208	585 42 01-02	Bezel LH
214	532 19 91-45	Clip Retainer
217	532 40 91-67	Rod Pivot
221	532 19 89-09	Reflector LH
228	532 19 51-61	Stud Fastener
235	532 40 61-29	Spacer Fender
236	873 93 05-00	Nut Center Lock 5/16-18 unc
281	817 00 06-16	Screw 3/8-16 x 1
296	585 42 05-01	LED Light LH
297	586 18 29-01	Insert Reflect. LH
299	585 42 04-01	LED Light RH
303	589 00 81-02	Shield Lower LH
304	589 00 90-02	Shield Lower RH
308	532 17 18-77	Bolt 5/16-18 unc x 3/4
306	873 90 06-00	Nut Lock
335	532 44 82-04	Cover RH Lower
336	532 44 53-09	Cover LH Lower
350	532 44 51-43	Clip X-mas Tree
351	532 42 17-34	Pin Clevis .375 x 2.125
352	532 44 86-34	Clevis .375 x 2.125
353	532 17 80-62	Clip Retainer .0375
354	532 44 86-19	Support Bellcrank
355	532 44 86-36	Bellcrank Pivot Lock Diff
356	532 44 86-93	Link Lock Diff
357	532 44 86-84	Spring Compression
358	580 36 66-01	Swivel Guide
359	584 39 34-01	Actuator Electric
360	532 44 86-18	Bracket Actuator
361	817 49 06-10	Screw Hxwsh Thdr 3/8-16 x 5/8
362	532 44 86-33	Clevis .375 x 2.42
365	532 44 73-68	Nylon Spacer .375 x .4375L
375	586 90 82-01	Dash Clip-On Bumper
378	590 84 98-01	Bushing Flange
--	532 43 18-82	Kit Guard Brush

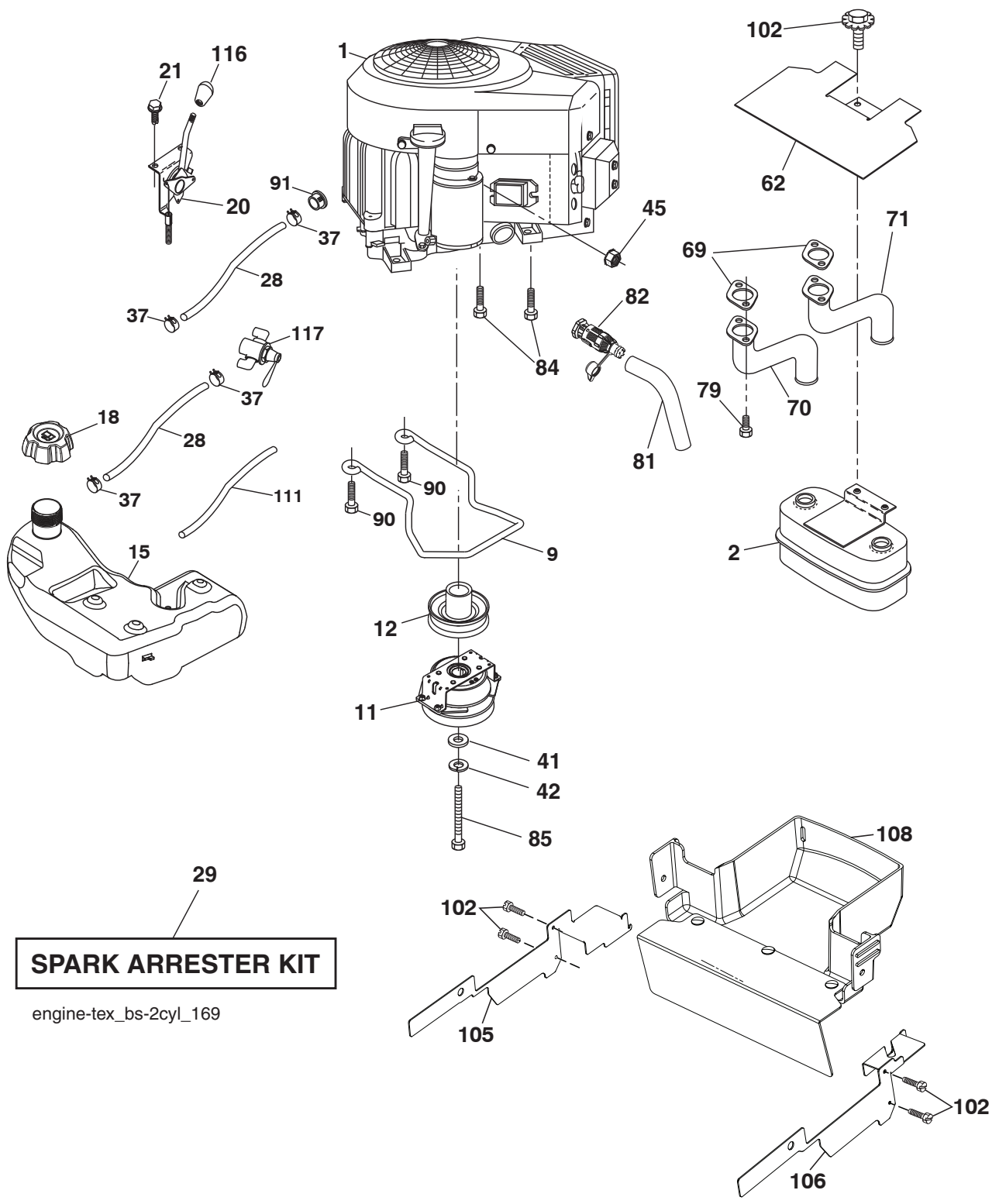
NOTE: All component dimensions given in U.S. inches
1 inch = 25.4 mm

**TRACTOR - - MODEL NO. TS 348XD (96041042500), PRODUCT NO. 960 41 04-25
DRIVE **40****

KEY NO.	PART NO.	DESCRIPTION
1	---	Transaxle, Tufftorq K66ELD (580402201)(Order parts from transaxle manufacturer.)
2	539 91 27-57	Key .25 x 1.25
3	532 00 75-63	Washer Thrust Axle Hardened
7	586 93 54-02	Hub Asm. Wheel
9	532 14 00-80	Bolt Hub Wheel
15	819 13 13-16	Washer 13/32 x 13/16 x 16 Ga.
17	532 40 10-72	Spring, Brake
26	532 19 96-79	Spring Return Cruise
29	532 40 72-45	Rod, Brake
33	812 00 00-53	Ring E
35	583 86 45-01	Rod, Brake, Park
42	532 12 48-72	Cover, Foot Pedal
49	872 11 06-14	Bolt
50	532 19 43-27	Pulley Idler Flat
51	873 90 06-00	Lock Nut 3/8-16
52	532 19 43-26	Idler V-Groove
56	592 85 53-01	V-Belt, Drive
64	532 19 78-65	Shaft Asm. Pedal Brake Control
70	532 43 96-61	Console Asm
73	874 49 05-44	Bolt Hex Flghd 5/16-18 Gr. 5
74	532 14 24-32	Screw 1/4 x 1/2
80	589 33 34-02	Strap Torque
92	874 76 05-20	Bolt 5/16-18 x 1/2
99	582 40 47-01	Spring Bypass
116	873 90 05-00	Nut Lock Hex Flange 5/16-18
125	817 00 05-12	Screw 5/16-18 x 3/4
153	532 12 47-88	Retainer Spring
159	876 02 04-12	Pin Cotter 1/8 x 3/4
160	532 16 94-84	Retainer Clip
161	532 10 57-09	Spring, Return, Clutch
163	532 40 72-46	Rod Pedal Control
166	532 42 91-64	Nut Push .625
167	532 40 52-57	Latch Brake Parking

KEY NO.	PART NO.	DESCRIPTION
170	532 19 43-22	Keeper V-Idler Centerspan
171	872 11 06-16	Keeper V-Idler Centerspan
183	587 58 74-01	Spacer Split
184	587 65 37-01	Handle Parking Brake
185	872 11 06-22	Bolt Rdhd 3/8-16 unc x 2-3/4 G5
186	532 19 43-21	Spacer Retainer
187	819 13 32-10	Washer
188	582 21 70-01	Link Clutch Ground Drive Long
189	532 19 43-17	Bellcrank Ground Drive
190	532 19 43-18	Keeper Bellcrank Ground Drive
196	817 00 06-16	Screw 3/8-16 x 1
197	585 65 86-01	Bracket Clutch Anti-Rotation
205	532 12 38-00	Washer 1-1/32 x 1-5/8 x 16 Ga.
206	532 44 85-96	Bracket Mount Latch Cruise
207	587 03 14-01	Latch Control Cruise
208	532 19 78-69	Gear Sector Control Cruise
209	532 19 95-92	Rod Control Cruise
210	532 19 78-60	Rocker Asm. Pedal Control
211	532 12 01-83	Bearing Nylon
213	532 40 31-19	Knob Control Cruise
214	532 42 12-63	Pedal Forward
215	586 60 65-02	Pedal Reverse
220	532 19 89-08	Reflector RH
221	532 40 31-87	Retainer Spring Clip Handle
222	879 21 20-10	Washer 21/32 x 1-1/4 x 10 Ga.
225	532 40 73-11	Keeper Belt
226	532 40 71-09	Bracket Mount Torque
282	874 49 05-48	Bolt 5/16-18 x 3.0 G5
304	532 42 33-03	Pin
366	580 62 62-01	Bracket Reinforcement

NOTE: All component dimensions given in U.S. inches
1 inch = 25.4 mm

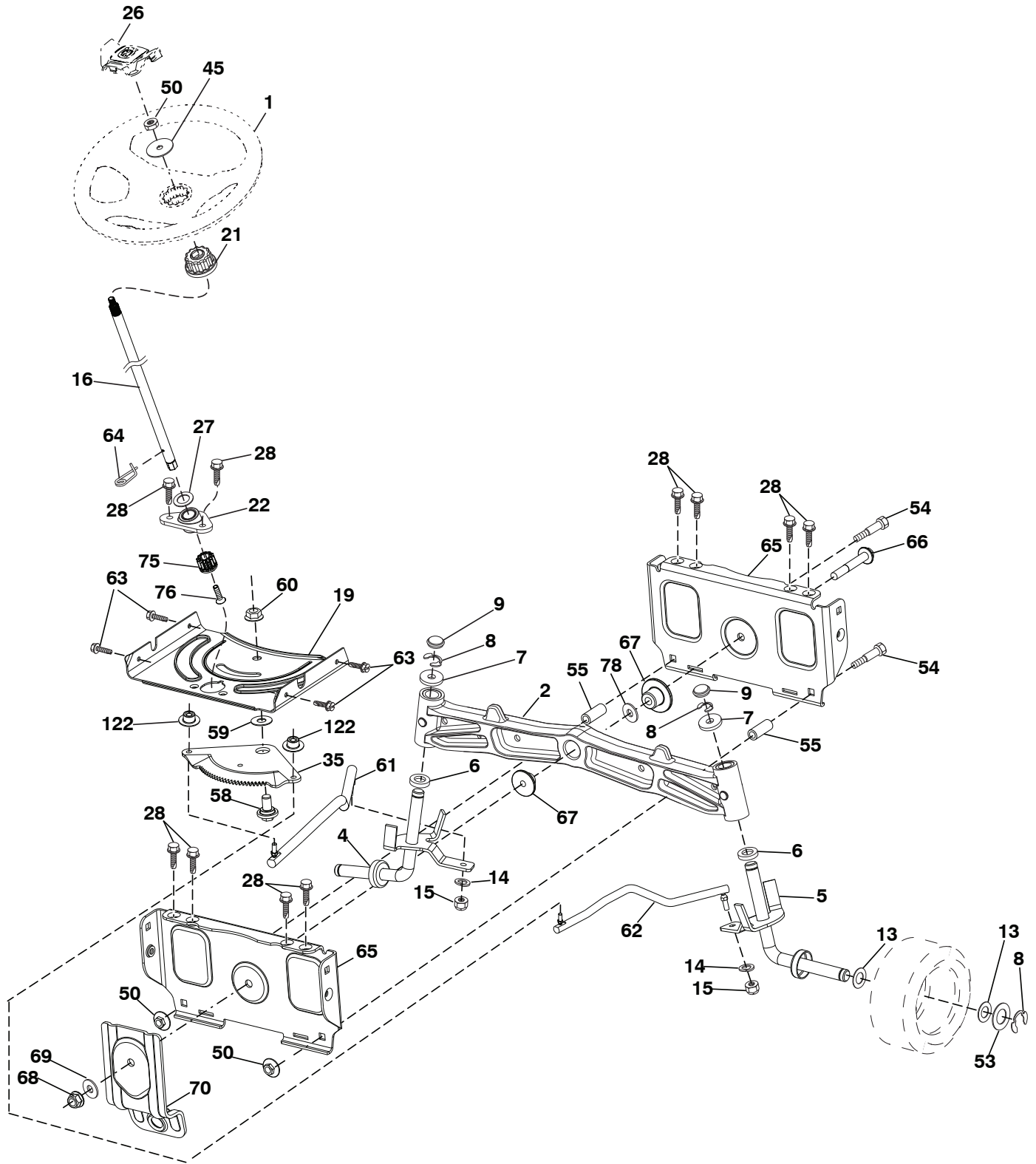


**TRACTOR - - MODEL NO. TS 348XD (96041042500), PRODUCT NO. 960 41 04-25
ENGINE 24**

KEY NO.	PART NO.	DESCRIPTION
1	- - - - -	Engine B&S Model No. 44U877-0023-B1 (594083601)(Order parts from engine manufacturer.)
2	532 44 59-62	Muffler
9	501 83 26-02	Keeper Asm. Belt Engine
11	587 24 14-01	Clutch Electric
12	532 19 43-43	Pulley Engine
15	532 42 28-04	Tank Fuel
18	584 24 87-02	Cap Asm
20	532 42 43-41	Control Throttle
21	532 41 63-58	Screw #10 x 0.750 BOS Thread
28	587 04 48-61	Fuel Line
29	532 13 71-80	Spark Arrester Kit
37	532 12 34-87	Clamp Hose
41	532 12 61-97	Washer 1-1/2 OD x 15/32 ID x .250
42	539 99 02-47	Washer 7/16
45	873 51 04-00	Nut Keps Hex 1/4-20 unc
62	532 43 40-17	Shield Heat Muffler
69	532 16 53-91	Gasket
70	581 88 11-01	Tube Exhaust LH
71	581 88 10-01	Tube Exhaust RH
79	532 18 39-06	Screw Socket 5/16-18 x 1
81	532 14 84-56	Oil Tube Drain
82	532 42 82-87	Valve Oil Drain
84	817 06 06-20	Screw 3/8-16 x 1/4
85	501 60 69-01	Bolt 7/16-20 x 3.0 x Gr. 5
90	817 00 06-16	Screw 3/8-16 x 1
91	532 18 74-95	Bushing
102	817 00 05-12	Screw 5/16 x 3/4
105	591 20 49-02	Shield Chassis LH
106	591 20 50-02	Shield Chassis RH
108	592 72 71-01	Cover Asm. Engine
111	532 41 41-19	Purge Line
116	539 13 26-24	Knob Soft Touch
117	532 42 08-28	Valve Fuel Reserve

NOTE: All component dimensions given in U.S. inches
1 inch = 25.4 mm

TRACTOR - - MODEL NO. TS 348XD (96041042500), PRODUCT NO. 960 41 04-25
 STEERING ASSEMBLY **41**



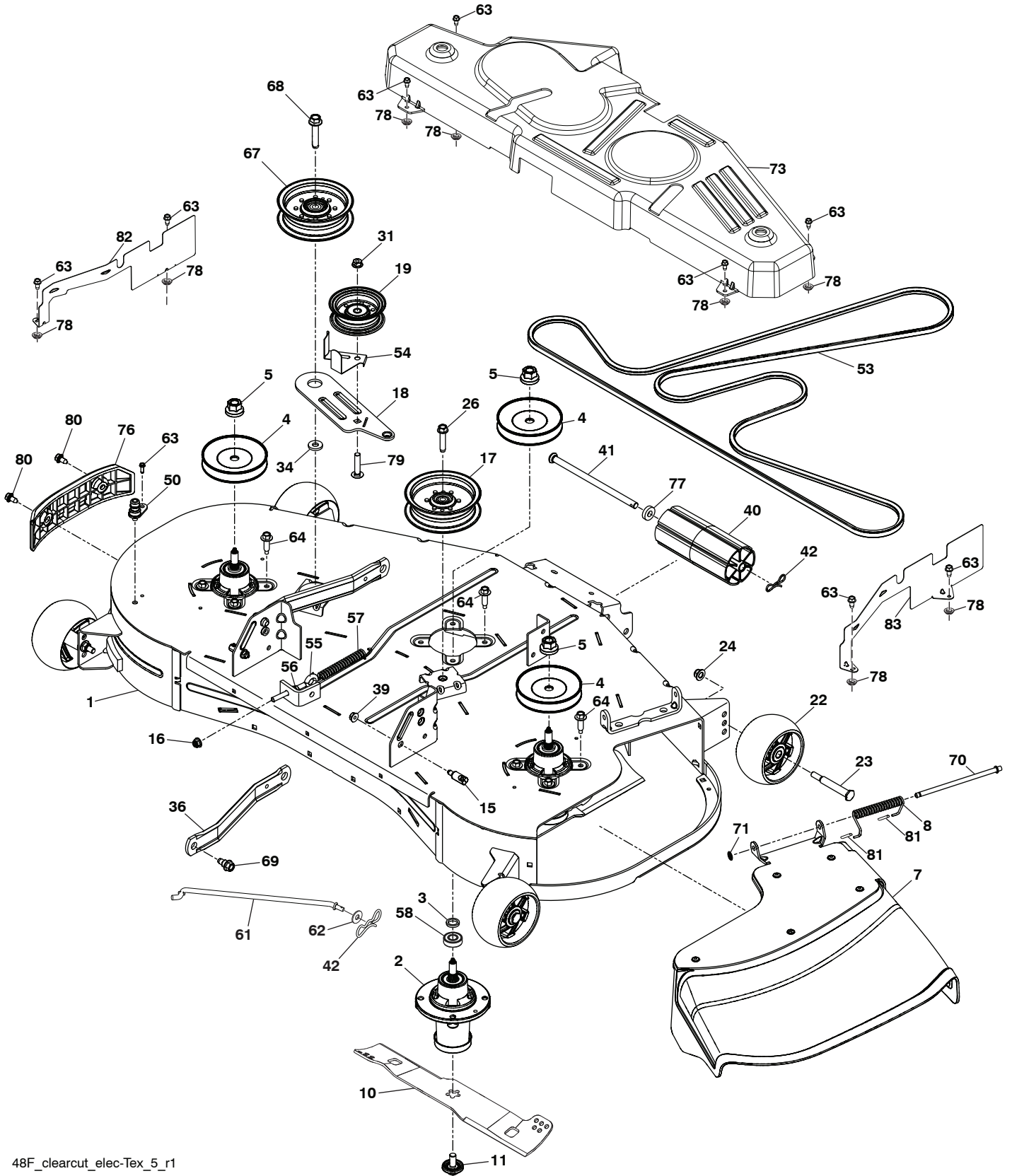
steering-tex_HUSQSR_63_r1

**TRACTOR - - MODEL NO. TS 348XD (96041042500), PRODUCT NO. 960 41 04-25
STEERING ASSEMBLY **41****

KEY NO.	PART NO.	DESCRIPTION
1	532 43 97-40	Wheel, Steering
2	532 19 59-68	Axle Asm., Front
4	532 40 31-72	Spindle Asm. LH
5	532 40 31-73	Spindle Asm. RH
6	532 12 49-31	Bearing, Race Thrust Harden
7	532 12 17-48	Washer 25/32 x 1-5/8 x 16 Ga.
8	812 00 00-29	Ring, Clip #T5304-75
9	532 12 12-32	Cap, Spindle
13	532 12 17-49	Washer 25/32 x 1-1/4 x 16 Ga.
14	539 99 01-18	Washer, SLW ZD 3/8
15	873 54 06-00	Nut, Crown Lock 3/8-24 unf
16	587 01 60-02	Steering Shaft
19	532 19 47-29	Plate Steering
21	586 84 02-01	Adapter Wheel Steering
22	585 02 99-01	Bearing
26	532 43 97-43	Insert, Wheel Steering
27	819 21 16-16	Washer
28	817 00 06-12	Screw 3/8-16 x 3/4
35	532 19 47-32	Gear, Sector Plate
45	587 01 64-01	Washer 3/8 ID 2-3/8 OD 12 Ga. PLTD
50	873 90 06-00	Nut Lock Flg 3/8-16 unc
53	532 18 89-67	Washer Hardened .793 x 1.637 x .060
54	874 76 06-36	Bolt Hex 3/8-16 unc x 2-1/4
55	532 41 47-36	Bolt Hex 3/8-16 unc x 2-1/4
58	532 19 47-47	Bolt Shoulder Sector Pivot CFM
59	532 19 47-48	Washer Thrust Sector Steering
60	873 97 10-00	Nut Flange Lock 5/8-11
61	588 79 44-02	Draglink, LH
62	588 79 45-02	Draglink, RH
63	817 00 05-12	Screw 5/16-18 x 3/4
64	532 19 98-49	Retainer Clip Spring Steering
65	532 19 47-34	Brace Axle Front
66	871 02 07-48	Bolt Hex Fghd 7/16-14 x 3 Serr
67	532 19 47-37	Bushing PM Front Axle
68	873 90 07-00	Nut Lock Flange 7/16-14 Gr. 5
69	532 19 91-62	Washer 1.5 x .505 x .118
70	585 33 88-01	Bracket Deck Susp. Front
75	580 68 37-01	Pinion
76	580 68 36-01	Screw Head Sock
78	532 05 70-79	Washer Thrust
122	532 44 49-62	Cap Gear Sector

NOTE: All component dimensions given in U.S. inches
1 inch = 25.4 mm

TRACTOR - - MODEL NO. TS 348XD (96041042500), PRODUCT NO. 960 41 04-25
MOWER DECK 44



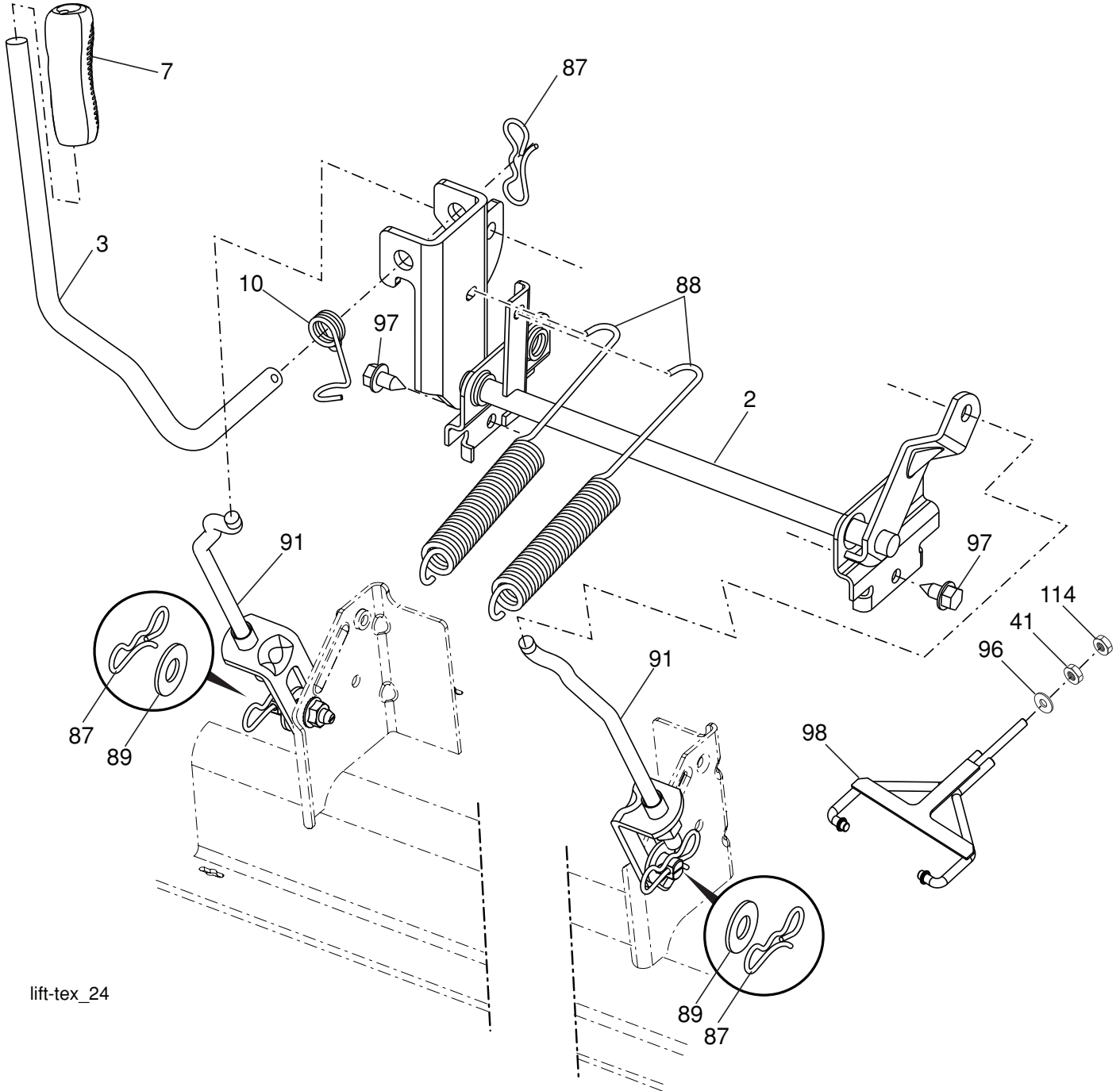
48F_clearcut_elec-Tex_5_r1

**TRACTOR - - MODEL NO. TS 348XD (96041042500), PRODUCT NO. 960 41 04-25
MOWER DECK 44**

KEY NO.	PART NO.	DESCRIPTION	KEY NO.	PART NO.	DESCRIPTION
1	588 78 80-02	Deck	55	539 11 55-74	Eyebolt 5/16 x 3-1/2
2	539 13 18-98	Housing Assembly	56	539 99 05-85	Nut 5/16-18 Hx
3	532 18 76-90	Washer-Spacer	57	587 35 84-01	Spring Extn.
4	532 17 34-34	Pulley, Mandrel	58	532 11 04-85	Ball Bearing
5	532 40 02-34	Nut Flange Lock Top	61	532 40 03-37	Rod Anti-Sway
7	588 98 07-01	Deflector Asm. 48"	62	819 13 13-12	Washer 13/32 x 13/16 x 12 Ga.
8	587 35 47-01	Spring - Torsion	63	817 49 04-10	Screw 1/4-20 x 5/8 Hx Self Tap ZD
10	591 20 39-02	Blade	64	584 95 39-01	Bolt Hex Washer Head .313-18 x 1.19
11	532 19 30-03	Bolt Washer Assy 7/16-20	67	532 19 61-06	Pulley Idler
15	532 19 51-61	Stud, Fasten w/ Anti- Rotate	68	817 49 06-28	Screw Thdrl 3/8-16 x 1-3/4 TT
16	539 11 28-99	Nut 5/16-18 Hx Flng NYLOC	69	532 19 65-39	Bolt Shoulder
17	532 19 61-04	Pulley, Idler Spec. Hub	70	532 13 14-91	Rod Hinge
18	588 81 23-02	Arm Idler	71	532 11 04-52	Nut Push
19	532 19 31-97	Pulley, Idler	73	591 20 46-01	Cover Mandrel
22	589 52 73-01	Wheel, Gauge	76	582 54 11-03	Bumper Side Trim
23	532 19 34-06	Bolt Shoulder 3/8-16 x 3-5/8	77	582 36 05-01	Bushing Nose Roller
24	521 99 65-01	Nut 3/8-16 Hex Flg Nyloc	78	532 42 30-62	Palnut 1/4
26	588 43 83-01	Screw 7/16-14 x 2.125 Wsh	79	872 11 06-14	Bolt RdHd 3/8-16 unc x 1-3/4 Gr. 5
31	873 90 06-00	Nut Lock Flng 3/8-16 unc	80	532 17 01-65	Bolt 5/16
34	532 17 85-15	Washer, Flat Hardened	81	532 10 53-04	Cap Sleeve
36	532 19 51-85	Arm, Susp., Rear	82	591 20 47-02	Shield Deck LH
39	873 90 05-00	Nut Lock Hx Flng 5/16-18	83	591 20 48-02	Shield Deck RH
40	532 17 60-66	Roller, Nose, 48"			
41	532 17 91-27	Rod, Roller, Nose, Narrow			
42	532 19 42-08	Pin Cotter			
50	532 41 55-98	Washout Port			
53	588 81 43-01	Belt, Deck			
54	532 14 10-43	Guard, Belt			

NOTE: All component dimensions given in U.S. inches
1 inch = 25.4 mm

TRACTOR - - MODEL NO. TS 348XD (96041042500), PRODUCT NO. 960 41 04-25
MOWER LIFT 45



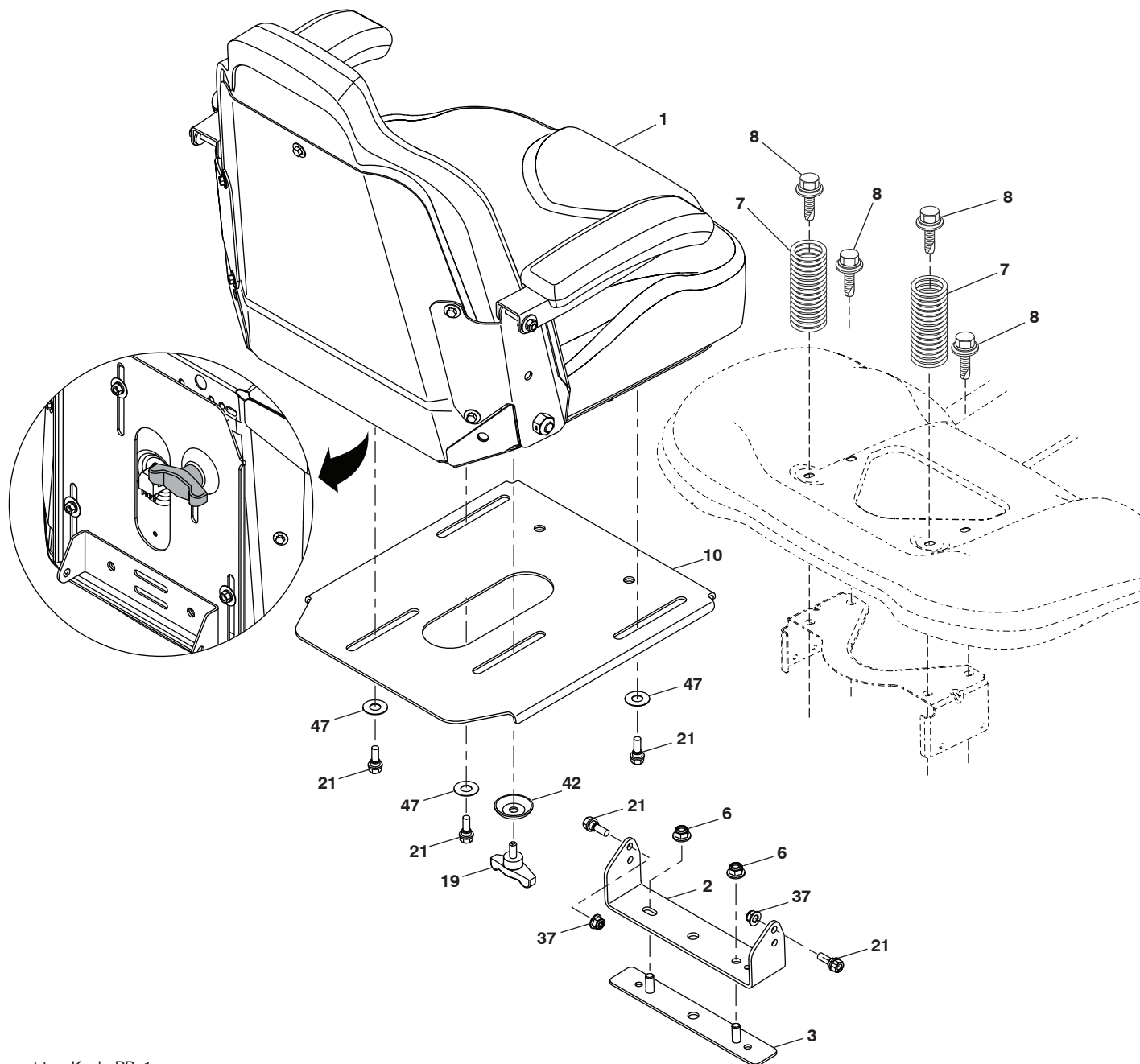
lift-tex_24

KEY NO.	PART NO.	DESCRIPTION
2	532 42 20-27	Shaft Asm., Lift
3	532 19 52-30	Lever Asm., Lift RH
7	580 96 23-01	Grip, Lever
10	532 19 63-14	Spring Torsion
41	532 17 59-94	Nut Lift Link
87	532 19 42-09	Pin Cotter 7/16 Bow Tie Lock
88	532 19 53-04	Spring Lift Assist
89	819 19 19-12	Washer Clear Zinc

KEY NO.	PART NO.	DESCRIPTION
91	532 40 34-07	Link Lift Susp Mower Rear
96	532 19 52-63	Bushing Spherical
97	817 00 06-12	Screw 3/8-16 x .75
98	574 82 25-01	Link Lift Susp. Front Mower
114	873 36 07-00	Nut Jam 7/16-20

NOTE: All component dimensions given in U.S. inches
 1 inch = 25.4 mm

**TRACTOR - - MODEL NO. TS 348XD (96041042500), PRODUCT NO. 960 41 04-25
SEAT ASSEMBLY 42**



seat-tex_Knob_PB_1

KEY NO.	PART NO.	DESCRIPTION
1	590 33 73-01	Seat
2	590 33 66-02	Bracket Pivot Fender
3	590 77 76-02	Bracket Pivot Seat
6	521 99 65-01	Nut, Lock 3/8-16 unc
7	590 81 23-01	Spring, Seat Cprsn
8	532 17 18-77	Bolt 5/16-18 x 3/4 w/Sems
10	590 48 17-02	Pan, Seat
19	590 69 15-01	Knob Seat

KEY NO.	PART NO.	DESCRIPTION
21	532 16 96-12	Bolt, Shoulder 5/16-18 x 5/8
37	539 11 28-99	Nut, Lock 5/16-18 Hex
42	532 19 93-71	Washer
47	590 35 11-01	Washer Nylon .05 x 1.12 x .033

NOTE: All component dimensions given in U.S. inches
1 inch = 25.4 mm

