

Repair Parts Manual
Manuel De Pièces De Rechange
YTH1942 / 96043024900

Please read the operator's manual carefully and make sure
you understand the instructions before using the machine.

Lisez très attentivement et soyez certain de comprendre
ces instructions avant d'utiliser cette machine.



English/French

114 05 24-24 Rev. 2



HOW TO USE THIS MANUAL

This manual is designed to provide the customer with a means to identify the parts on his/her tractor when ordering repair parts. The illustrations may or may not represent the actual assemblies; therefore, it is not recommended to use this manual as a guide to assemble or disassemble the tractor. Some hardware and parts are drawn larger in order to more readily identify them.

Each tractor has its own model number. The model number for your tractor can be found on the fender under the seat.

Support / Help

If you require assistance or have questions concerning the application, operation, maintenance or parts for your product:

- Visit our website: www.husqvarna.com
- Call Us Toll Free: 1-800-487-5951

When ordering parts, always give the following information:

- Product - "TRACTOR"
- MODEL NUMBER - "YTH1942" (96043024900)"
- Part Number
- Part Description

TABLE OF CONTENTS

| | |
|-------------------------------|--------------|
| SCHEMATIC | 3 |
| ELECTRICAL | 4-5 |
| CHASSIS | 6-7 |
| DRIVE | 8-9 |
| ENGINE | 10-11 |
| STEERING | 12-13 |
| MOWER DECK | 14-15 |
| MOWER LIFT | 16 |
| SEAT | 17 |
| DECALS | 18 |
| ENGINE BREAKDOWN | 36-37 |

COMMENT UTILISER CE MANUEL

Ce manuel a été dessiné pour fournir le client avec les moyens d'identification des pièces de détachées du tracteur quand il/elle a besoin de commander les pièces de rechange. Les illustrations ne peuvent pas représenter exactement le modèle que vous avez acheté. N'utilisez pas ce manuel comme un guide dans le montage et/ou démontage de votre tracteur. La visserie montrée est plus grande pour faciliter l'identification.

Chaque tracteur a un numéro de modèle particulier. Le numéro de modèle du produit se trouvera sur l'aile, dessous le siège.

Soutien / Aide

Si vous avez besoin d'aide ou si vous avez des questions concernant l'utilisation, le fonctionnement, l'entretien ou les pièces pour votre produit :

- Visitez notre site Web : www.husqvarna.com
- Appelez nous sans frais : 1-800-487-5951

Lorsque vous commandez des pièces de rechange, donnez toujours les renseignements suivants:

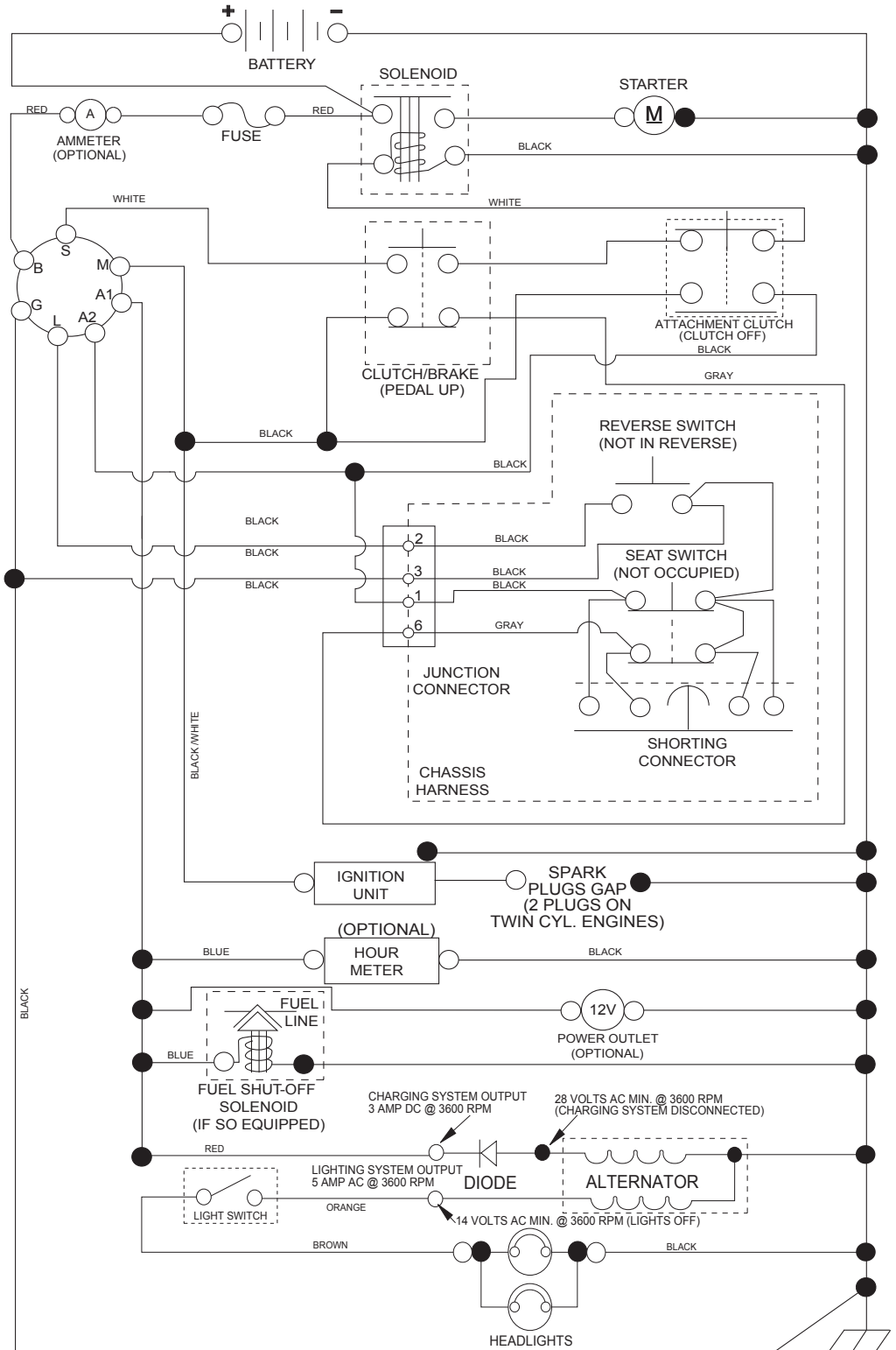
- Produit - "TRACTEUR"
- NUMÉRO DU MODÈLE - "YTH1942" (96043024900)"
- Numéro de la Pièce
- Description de la Pièce

TABLE DE MATIERES

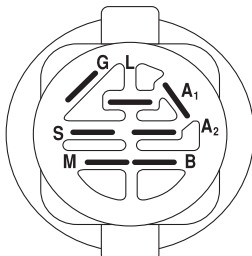
| | |
|---------------------------------------|--------------|
| SCHÉMA | 19 |
| ELECTRIQUE | 20-21 |
| CHÂSSIS/ENCEINTES | 22-23 |
| ENTRAÎNEMENT | 24-25 |
| MOTEUR | 26-27 |
| ENSEMBLE DE LA DIRECTION | 28-29 |
| CARTER DE TONDEUSE | 30-31 |
| LEVAGE DE LA TONDEUSE | 32 |
| ENSEMBLE DU SIÈGE | 33 |
| DECALCOMANIES | 34 |
| DÉTAILS DE MOTEUR | 38-39 |

TRACTOR - - MODEL NUMBER YTH1942 (96043024900), PRODUCT NO. 960 43 02-49 SCHEMATIC

SCH11

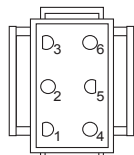


NOTE
YOUR TRACTOR IS EQUIPPED WITH A SPECIAL ALTERNATOR SYSTEM. THE LIGHTS ARE NOT CONNECTED TO THE BATTERY, BUT HAVE THEIR OWN ELECTRICAL SOURCE. BECAUSE OF THIS, THE BRIGHTNESS OF THE LIGHTS WILL CHANGE WITH ENGINE SPEED. AT IDLE THE LIGHTS WILL DIM. AS THE ENGINE IS SPEEDED UP, THE LIGHTS WILL BECOME THEIR BRIGHTEST.

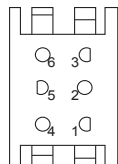


IGNITION SWITCH

| POSITION | CIRCUIT | "MAKE" |
|--------------|------------|--------|
| OFF | M+G+A1 | |
| RUN/OVERRIDE | B+A1 | |
| RUN | B+A1 | L+A2 |
| START | B + S + A1 | |



CHASSIS HARNESS CONNECTOR (MATING SIDE)



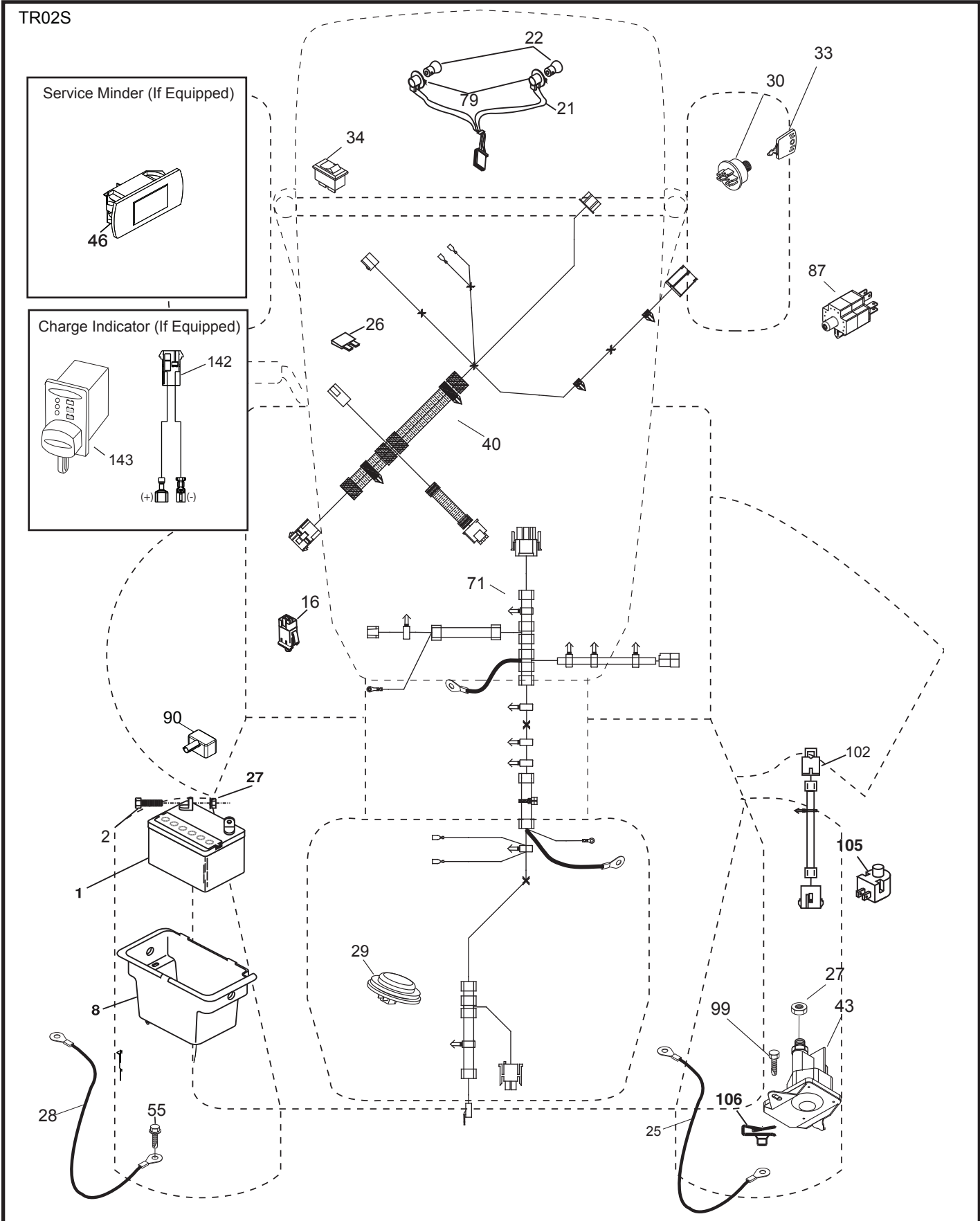
DASH HARNESS CONNECTOR (MATING SIDE)

WIRING INSULATED CLIPS
NOTE: IF WIRING INSULATED CLIPS WERE REMOVED FOR SERVICING OF UNIT, THEY SHOULD BE RE-INSTALLED TO PROPERLY SECURE YOUR WIRING.

NON-REMOVABLE CONNECTIONS

REMOVABLE CONNECTIONS

**TRACTOR -- MODEL NUMBER YTH1942 (96043024900), PRODUCT NO. 960 43 02-49
ELECTRICAL**

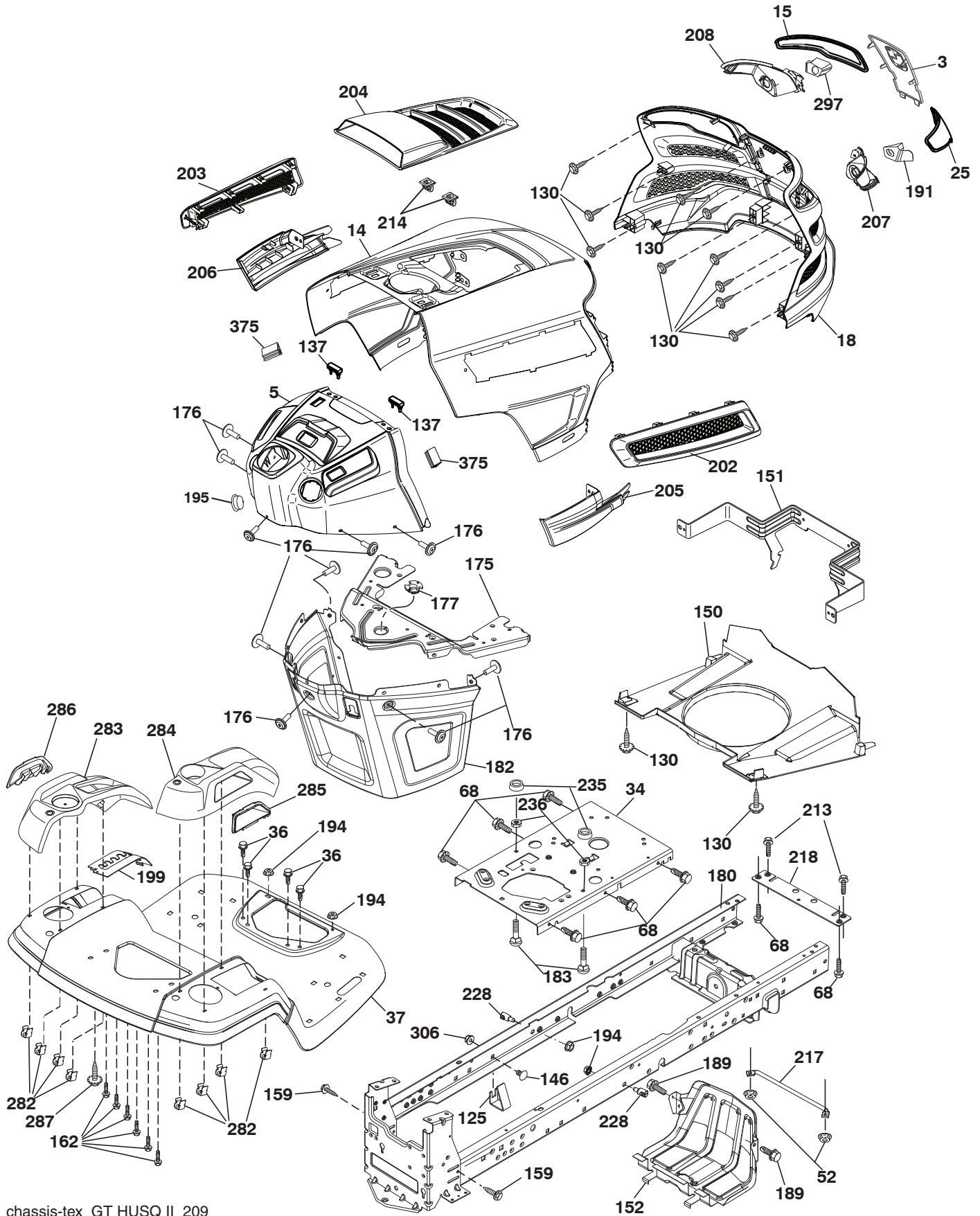


**TRACTOR - - MODEL NUMBER YTH1942 (96043024900), PRODUCT NO. 960 43 02-49
ELECTRICAL**

| KEY NO. | PART NO. | DESCRIPTION |
|--------------------|---------------------|-------------------------------|
| 1 | 532 16 34-65 | Battery |
| 2 | 874 76 04-12 | Bolt Hex Head 1/4-20 x 3/4 |
| 8 | 532 19 32-28 | Box Battery |
| 16 | 532 17 61-38 | Switch Interlock Push-In |
| 21 | 532 40 02-52 | Harness Socket Light w/4152J |
| 22 | 532 00 41-52 | Bulb Light |
| 25 | 581 49 80-01 | Cable Starter |
| 26 | 532 17 51-58 | Fuse |
| 27 | 596 13 36-01 | Locknut 1/4-20 |
| 28 | 532 42 16-86 | Cable, Ground |
| 29 | 532 40 15-45 | Switch, Seat |
| 30 | 532 19 33-50 | Switch, Ign |
| 33 | 532 41 19-33 | Key/Chain |
| 34 | 532 11 07-12 | Switch Light/Reset |
| 40 | 581 02 31-01 | Harness Ign. Dash |
| 43 | 582 04 28-02 | Solenoid |
| 55 | 817 06 05-12 | Screw Thdrol 5/16-18 x 3/4 |
| 71 | 501 13 37-01 | Harness Chassis |
| 79 | 532 17 52-42 | Socket Asm Bulb Twistlock |
| 87 | 532 19 78-02 | Switch Interlock Clutch Cable |
| 90 | 532 43 53-95 | Cover, Terminal Battery |
| 99 | 817 67 04-12 | Screw |
| 102 | 532 40 44-54 | Harness Pigtail |
| 105 | 532 40 75-68 | Switch Reverse |
| 106 | 532 17 48-14 | Pal nut |

NOTE: All component dimensions given in U.S. inches
1 inch = 25.4 mm

TRACTOR - - MODEL NUMBER YTH1942 (96043024900), PRODUCT NO. 960 43 02-49
CHASSIS



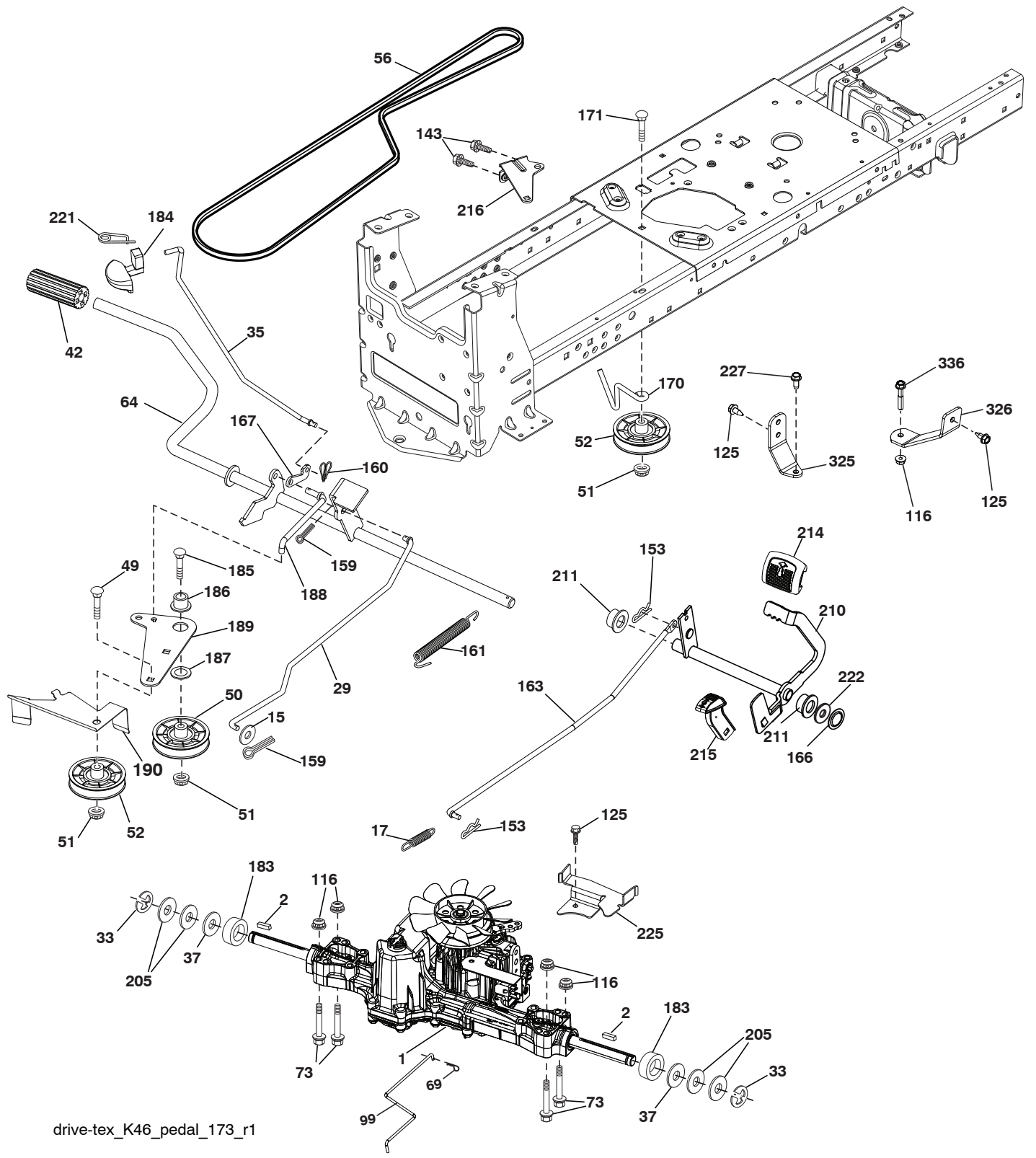
chassis-tex_GT HUSQ II_209

**TRACTOR - - MODEL NUMBER YTH1942 (96043024900), PRODUCT NO. 960 43 02-49
CHASSIS**

| KEY NO. | PART NO. | DESCRIPTION | KEY NO. | PART NO. | DESCRIPTION |
|----------------|-----------------|---|----------------|-----------------|-----------------------|
| 3 | 532 44 44-81 | Applique | 195 | 532 40 41-37 | Plug Dash |
| 5 | 590 74 88-18 | Dash | 199 | 532 41 34-85 | Plate Deck Lift |
| 14 | 532 44 11-77 | Hood | 202 | 532 43 97-28 | Vent Side Hood RH |
| 15 | 532 43 97-33 | Lens LH | 203 | 532 43 97-27 | Vent Side Hood LH |
| 18 | 597 24 72-01 | Grille | 204 | 587 48 58-01 | Vent Top Hood |
| 25 | 532 44 33-85 | Lens RH | 205 | 532 43 97-30 | Side Trim RH |
| 34 | 580 91 08-01 | Plate Engine | 206 | 532 43 97-29 | Side Trim LH |
| 36 | 817 06 05-12 | Screw 5/16-18 x 3/4 | 207 | 532 43 97-34 | Bezel RH |
| 37 | 532 44 12-66 | Fender | 208 | 532 43 97-35 | Bezel LH |
| 52 | 596 04 05-01 | Lock Nut, Prevailing, Torque Typ, 5/16-18 | 213 | 596 03 05-01 | Bolt 5/16-18 x 3/4 |
| 68 | 596 03 07-01 | Screw 5/16-18 x 1/2 | 214 | 532 19 91-45 | Clip Retainer Tinner |
| 125 | 581 68 48-01 | Clip Fuel Line | 217 | 532 40 91-67 | Rod Pivot |
| 130 | 596 32 17-01 | Screw 10 x 0.750 BOS Thread | 218 | 532 19 63-95 | X-Piece Hood Stop |
| 137 | 532 40 75-90 | Bumper Dash | 228 | 532 19 51-61 | Stud Fastener |
| 146 | 581 85 79-01 | Bolt | 235 | 596 56 42-01 | Spacer Fender |
| 150 | 532 43 97-31 | Air Duct | 236 | 873 93 05-00 | Nut Lock 5/16-18 unc |
| 151 | 532 43 66-70 | Bracket Pivot Hood | 282 | 532 41 41-10 | Clip Retainer Console |
| 152 | 532 43 98-70 | Shield Browning | 283 | 532 44 20-39 | Console Deck Lift |
| 159 | 817 00 06-12 | Screw 3/8-16 x 3/4 | 284 | 532 43 98-23 | Console Shift |
| 162 | 596 13 41-01 | Screw, Hex, Tap 1/4-15 x 1/2 | 285 | 532 41 63-15 | Console Insert RH |
| 175 | 590 60 77-02 | Crossmember | 286 | 532 41 63-17 | Console Insert LH |
| 176 | 532 40 07-76 | Screw 10-24 x 5/8 | 287 | 817 60 04-06 | Screw 1/4-20 X 3/8 |
| 177 | 532 19 52-28 | Bushing Steering | 297 | 532 43 74-56 | Insert Reflective LH |
| 180 | 532 19 54-57 | Chassis | 306 | 873 90 06-00 | Nut Lock |
| 182 | 586 73 86-02 | Dash Lower | 375 | 586 90 82-01 | Dash Clip-On Bumper |
| 183 | 595 30 57-01 | Screw, Hex, 5/16-18 x 1-1/4 | -- | 532 43 99-76 | Dash Plug reminder |
| 189 | 817 00 05-12 | Screw 5/16-18 x 3/4 | | | |
| 191 | 532 43 74-55 | Insert Reflective RH | | | |
| 194 | 596 13 57-01 | Nut 5/16-18 x .68 | | | |

NOTE: All component dimensions given in U.S. inches
1 inch = 25.4 mm

TRACTOR - - MODEL NUMBER YTH1942 (96043024900), PRODUCT NO. 960 43 02-49
DRIVE



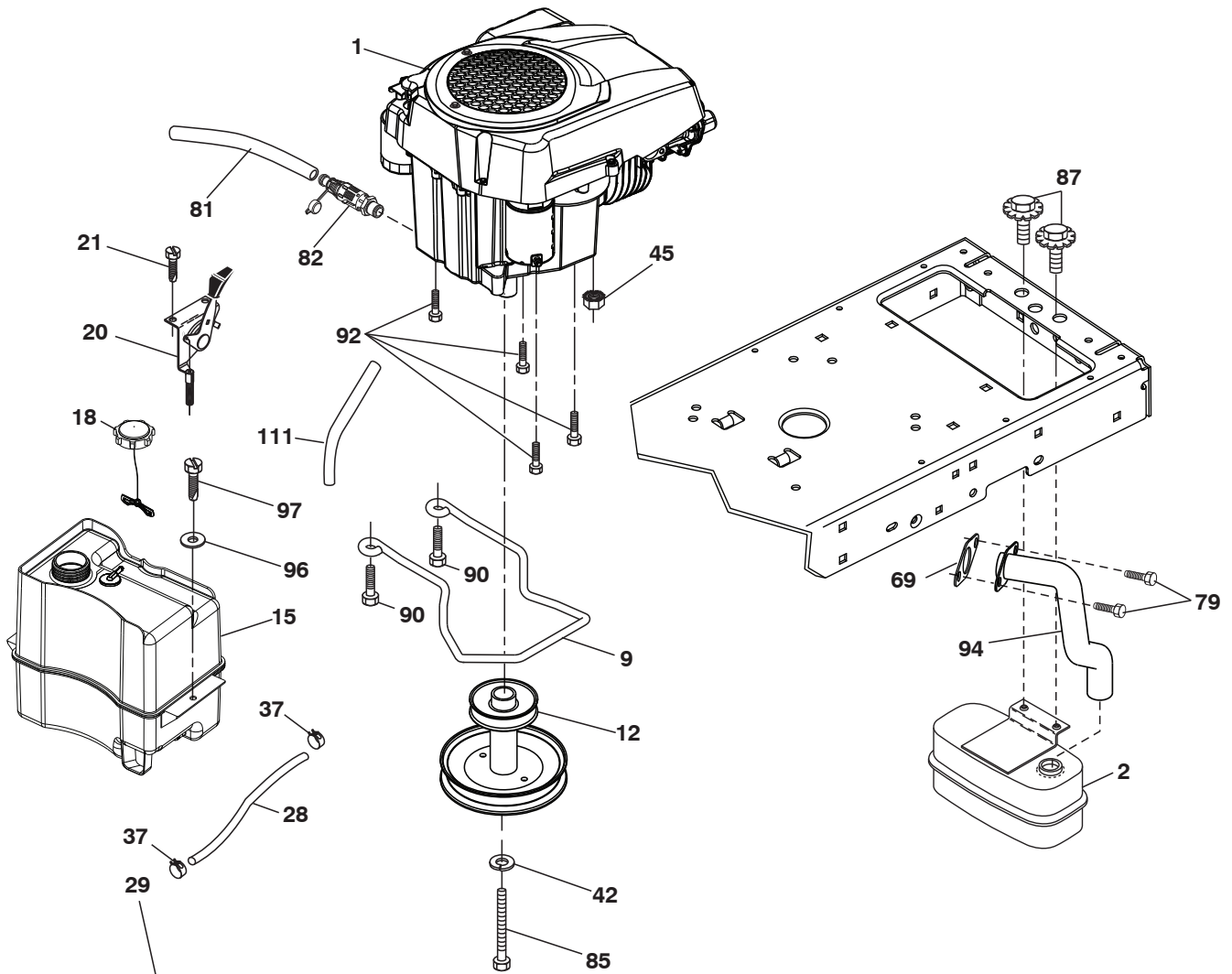
drive-tex_K46_pedal_173_r1

**TRACTOR - - MODEL NUMBER YTH1942 (96043024900), PRODUCT NO. 960 43 02-49
DRIVE**

| KEY NO. | PART NO. | DESCRIPTION | KEY NO. | PART NO. | DESCRIPTION |
|---------|--------------|--|---------|--------------|--------------------------------|
| 1 | --- | Transaxle, Tufftorq K46BT (426120) (Order parts from transaxle manufacturer) | 167 | 532 40 52-57 | Latch Brake Parking |
| 2 | 532 12 35-83 | Key Square | 170 | 532 19 43-22 | Keeper V-Idler |
| 15 | 819 13 13-16 | Washer 13/32 x 13/16 x 16 Ga. | 171 | 596 13 63-01 | Bolt 3/8-16 x 2 |
| 17 | 532 41 36-78 | Spring, Brake | 183 | 532 13 70-57 | Spacer Axle |
| 29 | 532 40 38-06 | Rod, Brake | 184 | 587 65 37-01 | Handle Parking Brake |
| 33 | 812 00 00-01 | Ring E | 185 | 872 11 06-22 | Bolt |
| 35 | 583 86 45-02 | Rod, Brake, Park | 186 | 532 19 43-21 | Spacer Retainer |
| 37 | 532 18 89-67 | Washer .793 x 1.637 x 060 | 187 | 596 13 55-01 | Washer, 13/32 x 2, Clr, Znc |
| 42 | 532 00 88-83 | Cover, Foot Pedal | 188 | 582 21 70-01 | Link Clutch Ground Drive, Long |
| 49 | 596 13 62-01 | Bolt, Cup, 3/8-16 x 3/4 | 189 | 532 19 43-17 | Bellcrank Ground Drive |
| 50 | 532 19 43-27 | Pulley Idler Flat | 190 | 532 19 43-18 | Keeper Bellcrank Ground Drive |
| 51 | 873 90 06-00 | Lock Nut 3/8-16 | 205 | 532 12 17-48 | Washer 25/32 x 1-5/8 x 16 Ga. |
| 52 | 532 19 43-26 | Idler V-Groove | 210 | 532 40 09-80 | Rocker Asm. Pedal Control |
| 56 | 592 85 52-01 | V-Belt, Drive | 211 | 532 12 01-83 | Bearing Nylon |
| 64 | 532 19 78-65 | Shaft Asm. Pedal Brake Control | 214 | 532 42 12-63 | Pedal Forward |
| 69 | 532 42 33-03 | Hairpin Soft Zinc | 215 | 586 60 65-02 | Pedal Reverse |
| 73 | 596 13 65-01 | Bolt Hex 5/16-18 x 1-1/2 | 216 | 532 19 61-31 | Bracket Pulley Idler |
| 99 | 582 40 45-01 | Rod Bypass | 221 | 532 40 31-87 | Retainer Spring Clip Handle |
| 116 | 596 13 57-01 | Nut Lock 5/16-18 x .68 | 222 | 879 21 20-10 | Washer 21/32 x 1-1/4 10 Ga. |
| 125 | 817 00 05-12 | Screw 5/16-18 x 3/4 | 225 | 532 40 33-19 | Keeper Belt Transaxle |
| 143 | 596 03 07-01 | Screw 5/16-18 x 1/2 | 227 | 596 13 59-01 | Bolt, Hex, 5/16-18 x 3/4 |
| 153 | 532 00 44-97 | Retainer Spring 1" | 325 | 585 67 08-02 | Brkt, Trqstp, RH |
| 159 | 596 02 95-01 | Pin Cotter 1/8 x 3/4 | 326 | 585 66 85-02 | Brkt, Trqstp, LH |
| 160 | 596 02 94-01 | Retainer Clip | 336 | 587 25 96-02 | Bolt 5/16 - 18 x 1-3/4 Flanged |
| 161 | 532 10 57-09 | Spring, Return, Clutch | | | |
| 163 | 593 86 10-01 | Rod Control | | | |
| 166 | 532 42 91-64 | Nut Push | | | |

NOTE: All component dimensions given in U.S. inches
1 inch = 25.4 mm

**TRACTOR - - MODEL NUMBER YTH1942 (96043024900), PRODUCT NO. 960 43 02-49
ENGINE**



OPTIONAL EQUIPMENT
SPARK ARRESTER

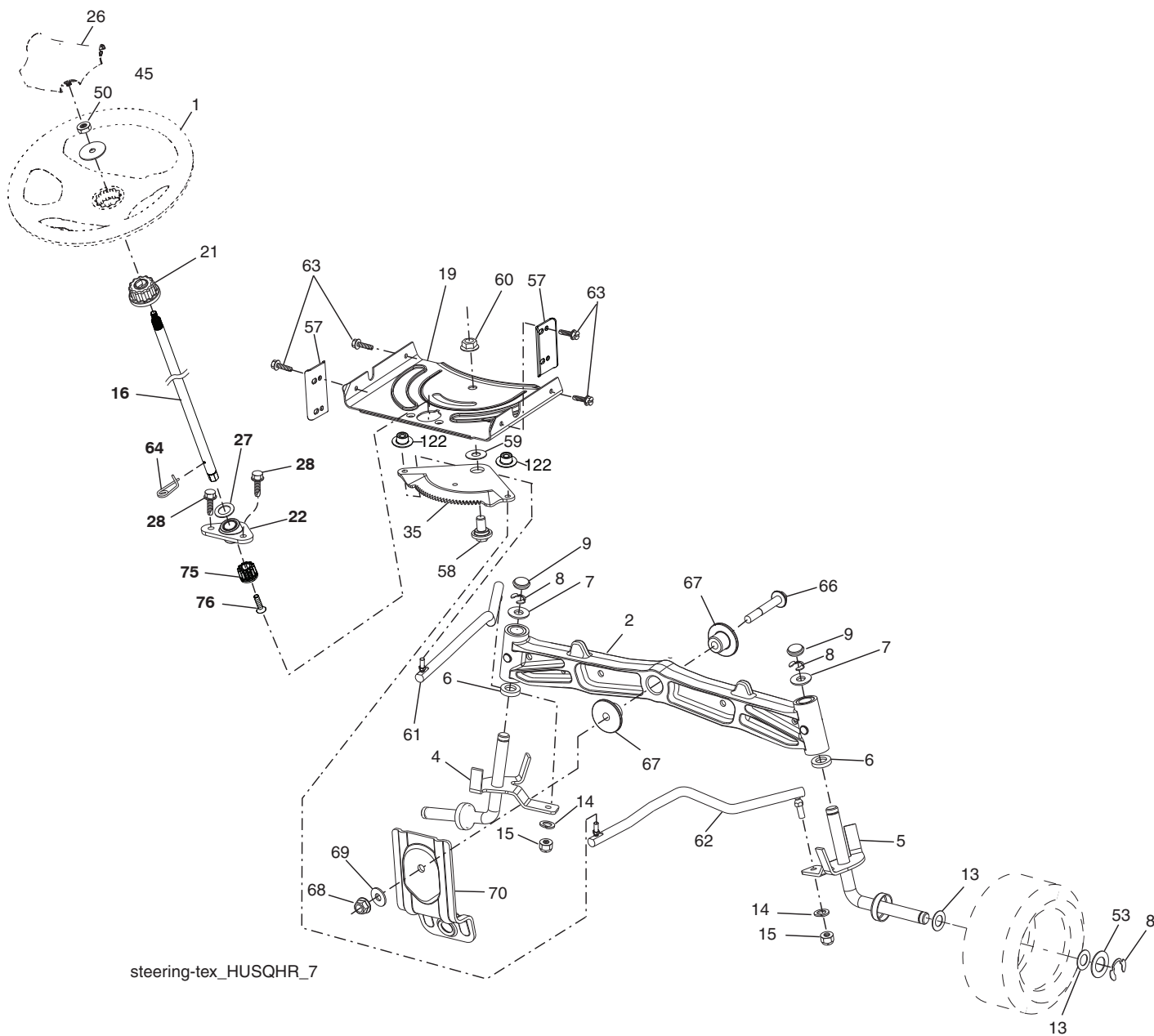
engine-tex_loncin_18

**TRACTOR - - MODEL NUMBER YTH1942 (96043024900), PRODUCT NO. 960 43 02-49
ENGINE**

| KEY NO. | PART NO. | DESCRIPTION |
|----------------|-----------------|---|
| 1 | - - - - - | Husqvarna Model No. LC1P96F (598693901) |
| 2 | 590 64 53-01 | Muffler |
| 9 | 501 83 26-02 | Keeper Belt Engine |
| 12 | 586 47 85-01 | Pulley Engine |
| 15 | 532 43 30-06 | Tank Fuel Asm |
| 18 | 581 17 61-01 | Cap Fuel |
| 20 | 532 18 38-97 | Control Throttle |
| 21 | 596 32 17-01 | Screw #10 x 0.750 BOS Thread |
| 28 | 532 40 11-37 | Fuel Line |
| 29 | 532 13 71-80 | Spark Arrester Kit |
| 37 | 532 12 34-87 | Clamp Hose |
| 42 | 596 23 89-01 | Washer 7/16 |
| 45 | 593 35 64-01 | Hexagon Flange Serrated |
| 69 | 590 86 36-01 | Gasket |
| 79 | 596 13 42-02 | Screw 5/16-18 x 1 |
| 81 | 532 14 84-56 | Tube Drain Oil Easy |
| 82 | 532 42 82-87 | Valve Drain Oil |
| 85 | 501 60 65-01 | Bolt Hex 7/16-20 x 4 Gr. 5 |
| 87 | 532 17 18-77 | Bolt 5/16-18 unc x 3/4 w/sems |
| 90 | 817 00 06-16 | Screw 3/8-16 x 1 |
| 92 | 817 12 06-16 | Screw 3/8 x 1 |
| 94 | 590 86 48-01 | Exhaust Tube |
| 96 | 596 13 53-01 | Washer 9/32 x 7/8 Clr, Zn |
| 97 | 817 67 04-12 | Screw 1/4-20 x 3/4 |
| 111 | 596 94 15-01 | Tube, Purge, Fuel |

NOTE: All component dimensions given in U.S. inches
1 inch = 25.4 mm

**TRACTOR - - MODEL NUMBER YTH1942 (96043024900), PRODUCT NO. 960 43 02-49
STEERING ASSEMBLY**



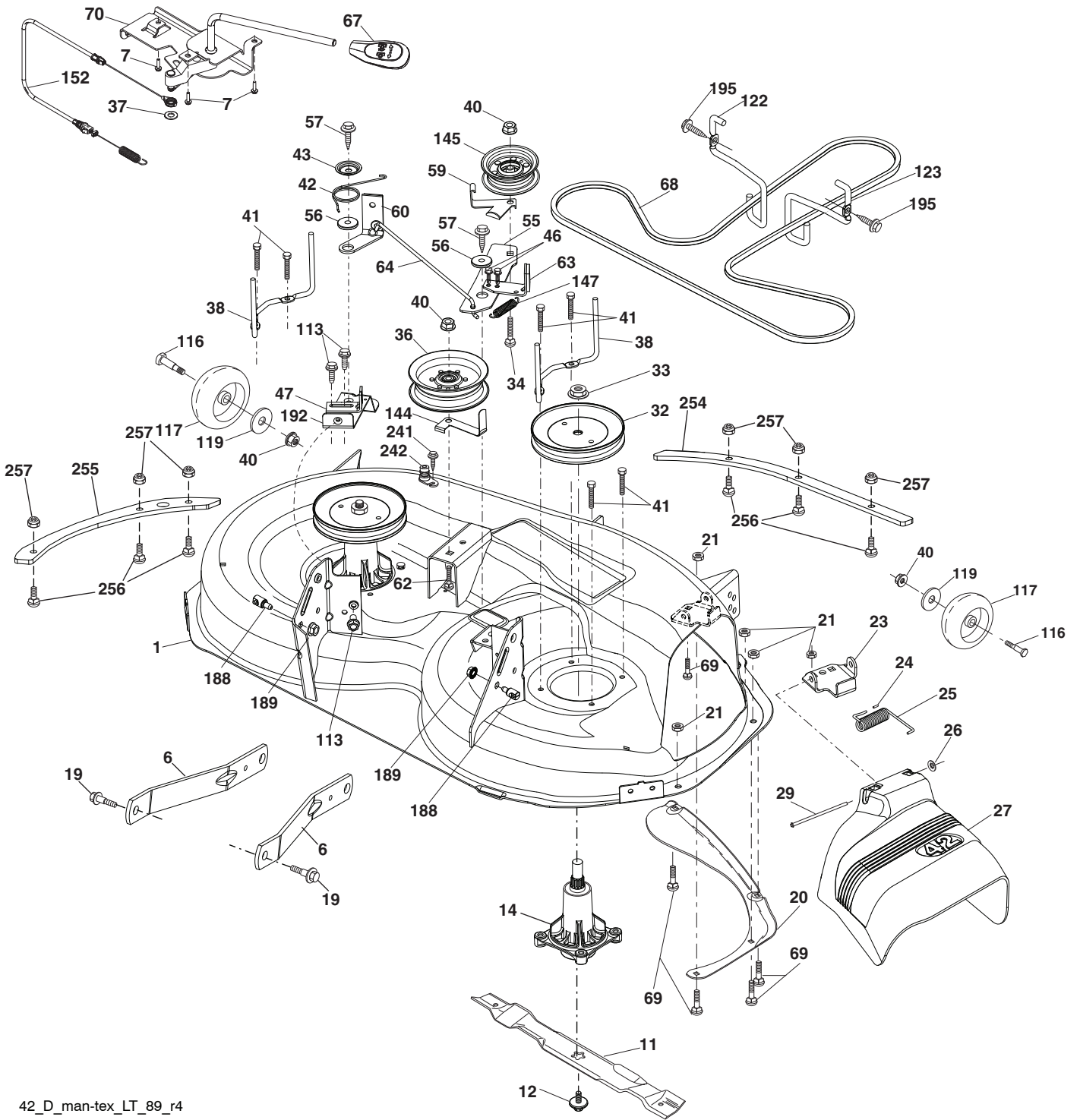
steering-tex_HUSQHR_7

**TRACTOR - - MODEL NUMBER YTH1942 (96043024900), PRODUCT NO. 960 43 02-49
STEERING ASSEMBLY**

| KEY NO. | PART NO. | DESCRIPTION |
|--------------------|---------------------|-------------------------------------|
| 1 | 532 43 97-40 | Wheel, Steering |
| 2 | 532 19 59-68 | Axle Asm., Front |
| 4 | 532 40 30-87 | Spindle Asm., LH |
| 5 | 532 40 30-88 | Spindle Asm., RH |
| 6 | 532 00 62-66 | Bearing, Thrust .75 x 1.230 |
| 7 | 532 12 17-48 | Washer 25/32 x 1-5/8 x 16 Ga. |
| 8 | 812 00 00-29 | Ring, Klip #T5304-75 |
| 9 | 532 12 12-32 | Cap, Spindle |
| 13 | 532 12 17-49 | Washer 25/32 x 1-1/4 x 16 Ga. |
| 14 | 596 23 87-01 | Washer, Spring Lock, .381 D x .680 |
| 15 | 873 54 06-00 | Nut, Crown Lock 3/8-24 unf |
| 16 | 587 01 60-02 | Shaft Steering |
| 19 | 532 19 47-29 | Plate Steering |
| 21 | 586 84 02-01 | Adapter Wheel Steering |
| 22 | 585 02 98-02 | Bearing |
| 26 | 532 43 97-43 | Insert, Wheel Steering |
| 27 | 596 93 34-01 | Washer, Plain |
| 28 | 817 00 06-12 | Screw 3/8-16 x 3/4 |
| 35 | 532 19 47-32 | Gear, Sector Plate |
| 45 | 587 01 64-01 | Washer 3/8 ID 2-3/8 OD 12 Ga. PLTD |
| 50 | 873 90 06-00 | Nut Lock Flg 3/8-16 unc |
| 53 | 532 18 89-67 | Washer Hardened .793 x 1.637 x .060 |
| 57 | 532 40 74-65 | Bracket Upstop |
| 58 | 532 19 47-47 | Bolt Shoulder Sector Pivot CFM |
| 59 | 532 19 47-48 | Washer Thrust Sector Steering |
| 60 | 873 97 10-00 | Nut Flange Lock 5/8-11 |
| 61 | 597 07 02-02 | Draglink, LH |
| 62 | 597 07 03-02 | Draglink, RH |
| 63 | 817 00 05-12 | Screw 5/16-18 x 3/4 |
| 64 | 532 19 98-49 | Retainer Clip Spring Steering |
| 66 | 871 02 07-48 | Bolt Hex Fghd 7/16-14 x 3 Serr |
| 67 | 532 19 47-37 | Bushing PM Front Axle |
| 68 | 873 90 07-00 | Nut Lock Flange 7/16-14 Gr. 5 |
| 69 | 532 19 91-62 | Washer 1.5 x .505 x .118 |
| 70 | 585 33 88-01 | Bracket Deck Susp. Front |
| 75 | 580 68 37-01 | Pinion |
| 76 | 580 68 36-01 | Screw Head Sock |
| 122 | 532 44 49-62 | Cap Gear Sector |

NOTE: All component dimensions given in U.S. inches
1 inch = 25.4 mm

TRACTOR - - MODEL NUMBER YTH1942 (96043024900), PRODUCT NO. 960 43 02-49
 MOWER DECK



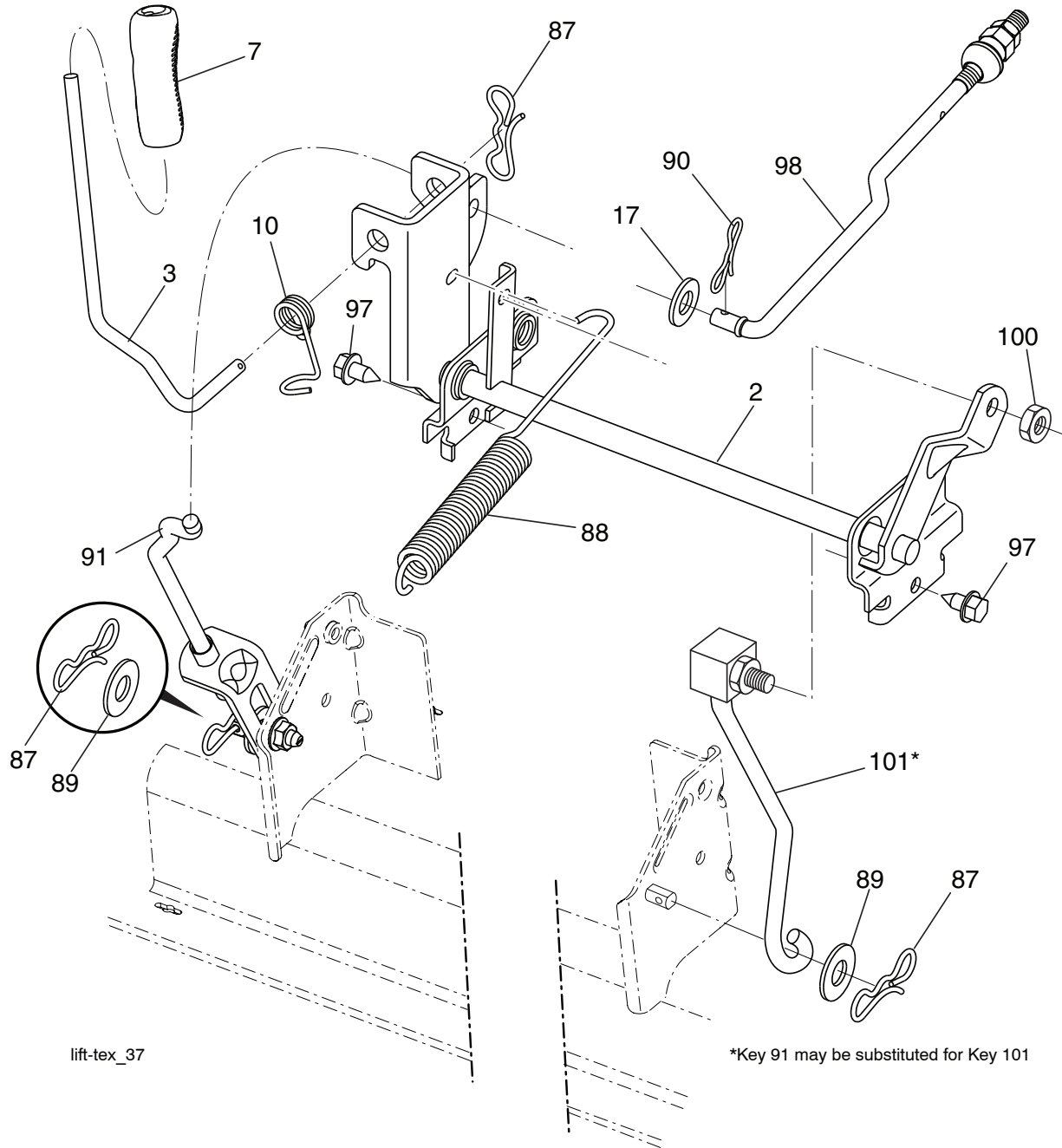
42_D_man-tex_LT_89_r4

**TRACTOR - - MODEL NUMBER YTH1942 (96043024900), PRODUCT NO. 960 43 02-49
MOWER DECK**

| KEY NO. | PART NO. | DESCRIPTION | KEY NO. | PART NO. | DESCRIPTION |
|---------|--------------|--|---------|--------------|--|
| 1 | 532 44 78-95 | Mower Housing | 60 | 532 19 72-61 | Arm Brake Mower |
| 6 | 532 19 51-86 | Arm Suspension | 62 | 596 13 63-01 | Bolt 3/8-16 x 2 |
| 7 | 596 32 17-01 | Screw #10 x .750 BOS Thread | 63 | 532 19 94-77 | Arm Brake Mower |
| 11 | 532 13 89-71 | Blade, 42" Hi-Lift (For bagging or discharge) | 64 | 532 19 99-18 | Link Brake |
| 12 | 584 30 93-01 | Screw | 67 | 532 40 30-12 | Handle Clutch Cable |
| 14 | 587 81 97-01 | Kit, Mandrel, Non Greaseable, Tall (includes mandrel and bolts) | 68 | 532 42 96-36 | V-Belt |
| 19 | 532 19 65-39 | Bolt, Shoulder | 69 | 596 13 64-01 | Bolt, Cup Head, 5/16-18 x 5/8 |
| 20 | 532 15 97-70 | Baffle, Vortex | 70 | 532 19 99-72 | Clutch Asm Manual |
| 21 | 596 04 05-01 | Nut, 5/16-18 | 113 | 817 00 05-10 | Screw 5/16-18 |
| 23 | 532 19 25-57 | Bracket, Deflector | 116 | 596 43 44-02 | Bolt, Shoulder, 2.41 x 1.66 x 5, Clr, Zn |
| 24 | 532 10 53-04 | Cap, Sleeve | 117 | 589 52 74-01 | Wheel, Gauge |
| 25 | 532 19 70-26 | Spring, Torsion, Deflector | 119 | 596 13 49-01 | Washer 3/8 x 7/8 |
| 26 | 532 11 04-52 | Nut, Push | 122 | 532 19 72-58 | Keeper Belt Engine LH |
| 27 | 532 40 30-04 | Shield, Deflector | 123 | 532 19 72-59 | Keeper Belt Engine RH |
| 29 | 595 29 70-01 | Rod, Hinge | 144 | 532 19 92-04 | Keeper Belt |
| 32 | 532 19 74-73 | Pulley, Mandrel | 145 | 532 19 31-97 | Pulley Idler |
| 33 | 596 13 48-01 | Nut, 9/16-18 x 1.010 | 147 | 532 40 19-71 | Spring Return |
| 34 | 596 13 61-01 | Bolt 3/8-16 x 1-1/2 | 152 | 584 24 35-01 | Manual Clutch Cable |
| 36 | 532 19 73-79 | Pulley, Idler, Flat | 188 | 532 19 51-61 | Stud Fastener |
| 37 | 819 13 13-16 | Washer | 189 | 596 13 57-01 | Nut Lock 5/16-18 x .68 |
| 38 | 589 67 61-02 | Keeper Belt Mandrel | 192 | 532 19 72-60 | Bracket Brake Stand LH |
| 40 | 873 90 06-00 | Nut, Lock Flg. 3/8-16 unc | 195 | 817 00 06-12 | Screw 3/8-16 x 3/4 |
| 41 | 584 95 39-01 | Bolt Hex Wshrhd 3/8-18 x 1.19 | 241 | 532 15 29-27 | Screw TT #10-32 5 3/8 Flange |
| 42 | 532 19 84-10 | Spring Torsion Brake | 242 | 532 41 55-98 | Port Washout |
| 43 | 532 19 72-56 | Spring Torsion Retainer | 254 | 585 31 68-05 | Plate Reinforcement Front |
| 46 | 532 13 77-29 | Screw Thd Roll 1/4-20 x 5/8 | 255 | 585 31 70-05 | Plate Reinforcement 42" |
| 47 | 532 19 72-50 | Bracket Clutch Cable | 256 | 592 80 78-01 | Bolt 1/4-20 x 1 |
| 55 | 532 43 71-10 | Arm, Idler | 257 | 873 90 04-00 | Nut Hex Flange 1/4-20 x 1 |
| 56 | 532 19 90-92 | Spacer, Retainer | -- | 532 41 64-05 | Coupling Quick connect |
| 57 | 817 00 06-16 | Screw 3/8-16 x 1 | -- | 532 44 78-93 | Replacement Mower, Complete |
| 59 | 532 14 10-43 | Guard, Tuv Idler | | | |

NOTE: All component dimensions given in U.S. inches
1 inch = 25.4 mm

**TRACTOR - - MODEL NUMBER YTH1942 (96043024900), PRODUCT NO. 960 43 02-49
MOWER LIFT**



lift-tex_37

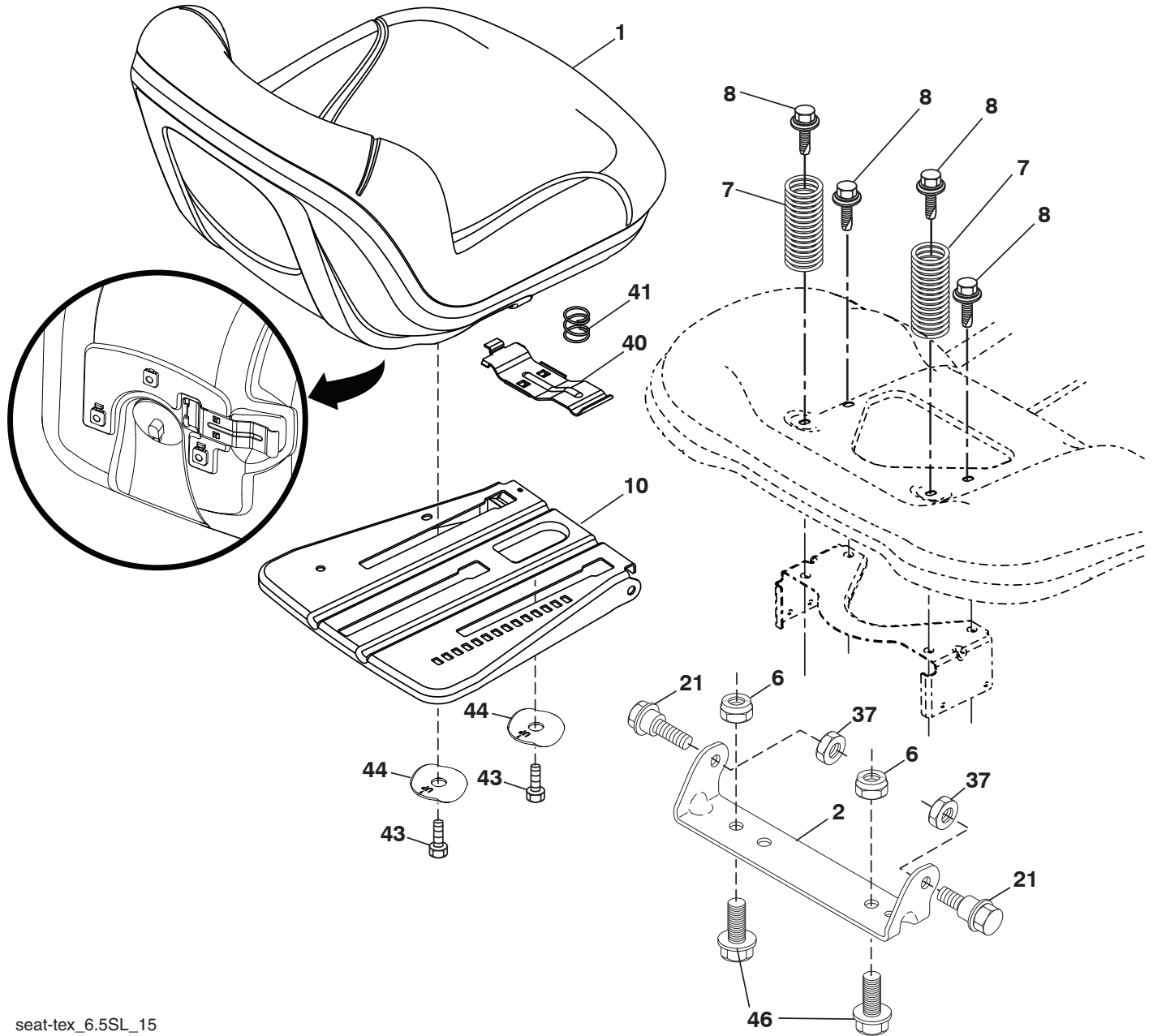
*Key 91 may be substituted for Key 101

| KEY NO. | PART NO. | DESCRIPTION |
|---------|--------------|-------------------------------|
| 2 | 532 42 20-27 | Shaft Asm., Lift |
| 3 | 594 01 80-01 | Lever, Lift Handle |
| 7 | 580 96 23-01 | Grip, Lever |
| 10 | 532 19 63-14 | Spring Torsion |
| 17 | 819 15 15-16 | Washer 15/32 x 15/16 x 16 Ga. |
| 87 | 532 19 42-09 | Pin Cotter 7/16 Bow Tie Lock |
| 88 | 532 41 07-10 | Spring Lift Assist |
| 89 | 819 19 19-12 | Washer Clear Zinc |

| KEY NO. | PART NO. | DESCRIPTION |
|---------|--------------|----------------------------------|
| 90 | 532 19 42-08 | Pin Cotter 5/16 Bow Tie Lock |
| 91 | 589 46 48-03 | Link Asm Lift Rear |
| 97 | 817 00 06-12 | Screw Hex Wsh. THDR 3/8-16 x 3/4 |
| 98 | 532 19 52-70 | Link Lift Susp. Front Mower |
| 100 | 595 30 59-01 | Nut 3/8-16 unc |
| 101 | 532 40 70-03 | Link Asm. Fixed |

NOTE: All component dimensions given in U.S. inches
1 inch = 25.4 mm

**TRACTOR - - MODEL NUMBER YTH1942 (96043024900), PRODUCT NO. 960 43 02-49
SEAT ASSEMBLY**



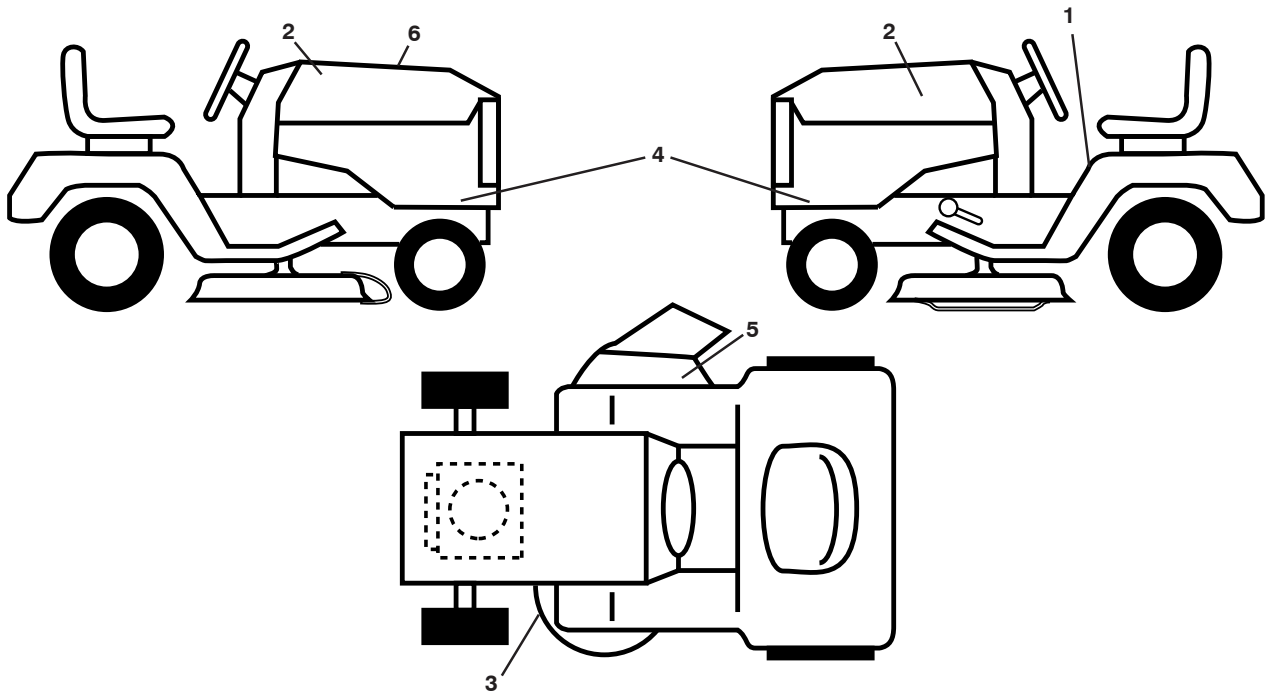
seat-tex_6.5SL_15

| KEY NO. | PART NO. | DESCRIPTION |
|---------|--------------|-------------------------------|
| 1 | 532 43 98-19 | Seat |
| 2 | 532 18 01-66 | Bracket Pivot Fender |
| 6 | 873 80 06-00 | Nut, Lock w/Ins. 3/8-16 unc |
| 7 | 589 48 35-01 | Spring, Seat Cprsn |
| 8 | 532 17 18-77 | Bolt 5/16-18 unc x 3/4 w/Sems |
| 10 | 596 65 74-02 | Seat, Plate, Slide |
| 21 | 587 90 78-01 | Bolt, Shoulder 5/16-18 x 5/8 |
| 37 | 596 58 37-02 | Nut, Hex 5/16-18 unc |

| KEY NO. | PART NO. | DESCRIPTION |
|---------|--------------|-------------------------------|
| 40 | 595 08 81-02 | Handle Slide Seat |
| 41 | 532 19 82-00 | Spring Latch Seat |
| 43 | 874 76 06-12 | Bolt Fin Hex 3/8-16 unc x 3/4 |
| 44 | 501 05 18-01 | Washer Winged |
| 46 | 588 09 04-01 | Bolt 3/8-16 x 1, 1.25 |

NOTE: All component dimensions given in U.S. inches
1 inch = 25.4 mm

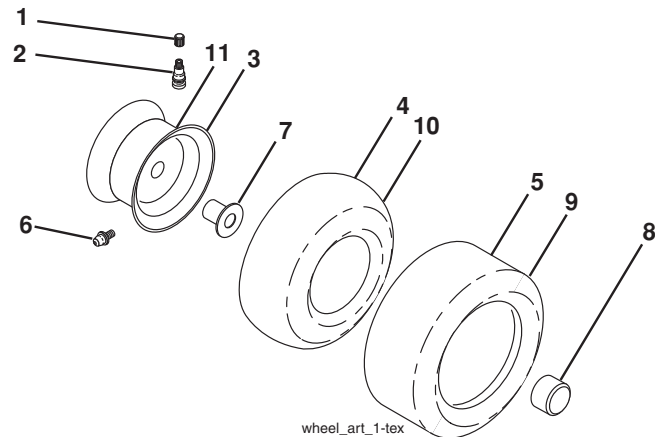
**TRACTOR - - MODEL NUMBER YTH1942 (96043024900), PRODUCT NO. 960 43 02-49
DECALS**



| KEY NO. | PART NO. | DESCRIPTION |
|---------|--------------|----------------------------------|
| 1 | 581 57 90-01 | Decal, Fender Warn./Instructions |
| 2 | 501 13 14-01 | Decal, Husq |
| 3 | 581 58 00-01 | Decal, Mower V-Belt Schematic |
| 4 | 592 88 89-01 | Decal, Panel Side |
| 5 | 584 90 46-01 | Decal, Deflect. Warning |
| 6 | 597 77 25-01 | Decal, Replacement |
| -- | 581 72 48-01 | Decal, Bypass |
| -- | 532 43 96-81 | Pad, Footrest, LH |
| -- | 532 43 96-82 | Pad, Footrest, RH |

| KEY NO. | PART NO. | DESCRIPTION |
|---------|--------------|---|
| -- | 115 93 31-27 | Manual, Operator's (English/Spanish) |
| -- | 114 05 23-34 | Manual, Operator's (English/French) |
| -- | 115 93 32-27 | Manual, Parts (English/Spanish) |
| -- | 114 05 24-24 | Manual, Parts (English/French) |
| -- | 114 14 98-70 | Manual, Parts (Portuguese) |
| -- | 587 71 00-26 | Manual, Quick Start Guide (English/Spanish) |
| -- | 587 71 01-26 | Manual, Quick Start Guide (English/French) |

WHEELS AND TIRES

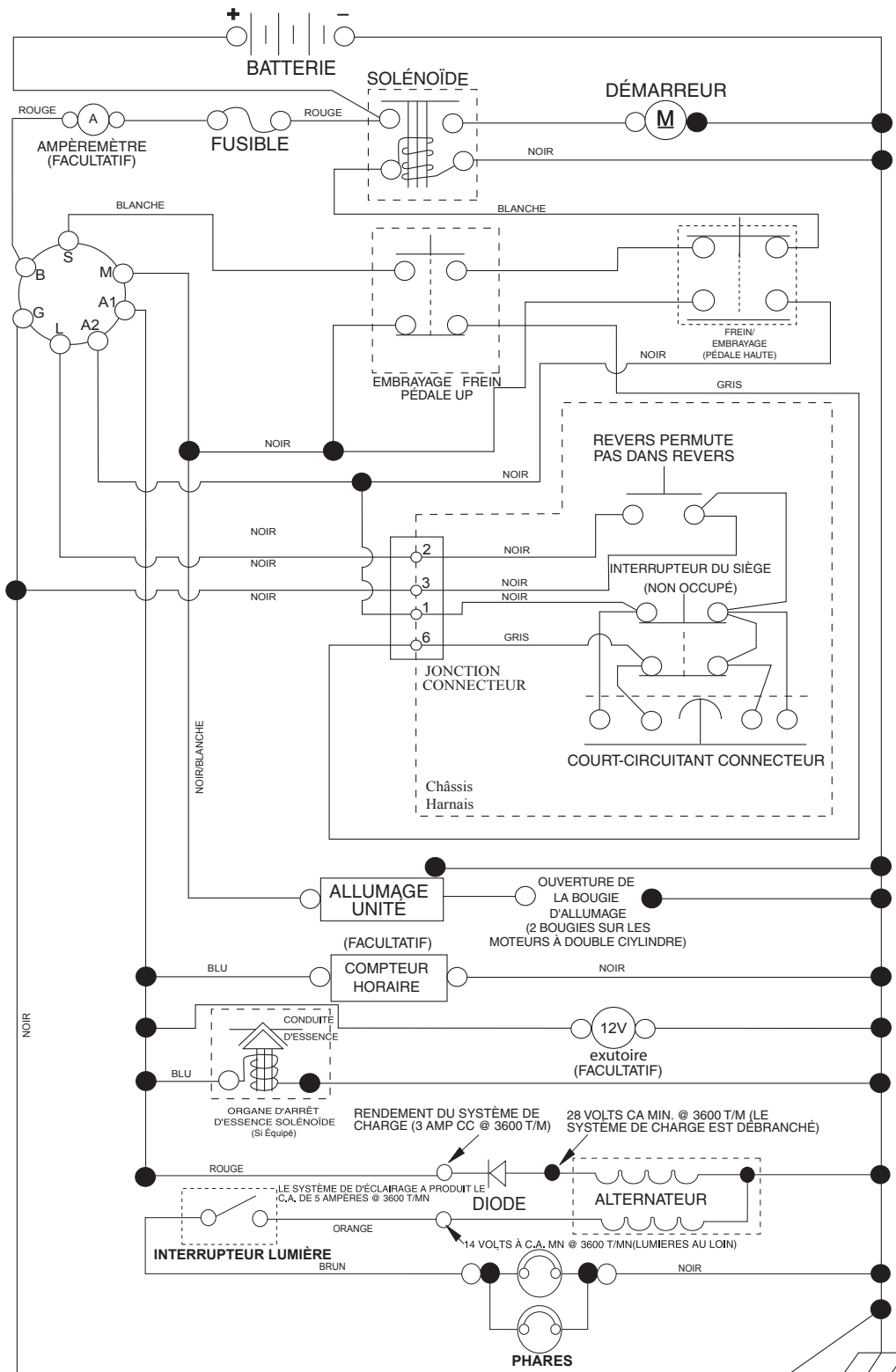


| KEY NO. | PART NO. | DESCRIPTION |
|---------|--------------|-----------------------------------|
| 1 | 532 05 91-92 | Cap Valve Tire |
| 2 | 532 06 51-39 | Stem Valve |
| 3 | 532 13 83-36 | Rim Asm 6" Front |
| 4 | 532 05 99-04 | Tube Front (Service Item Only) |
| 5 | 532 10 62-22 | Tire Front 15 x 6-6 |
| 6 | 532 00 02-78 | Fitting Grease (Front Wheel Only) |
| 7 | 532 00 90-40 | Bearing Flange (Front Wheel Only) |
| 8 | 532 17 50-39 | Cap Axle |
| 9 | 532 13 84-68 | Tire Rear 20 x 8-8 |
| 10 | 532 00 71-52 | Tube Rear (Service Item Only) |
| 11 | 532 13 83-37 | Rim Asm 8" Rear |
| -- | 532 14 43-34 | Sealant, Tire (10 oz. Tube) |

NOTE: All component dimensions given in U.S. inches
1 inch = 25.4 mm

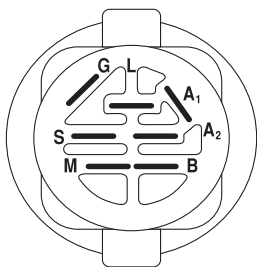
SCHÉMA

SCH11-F



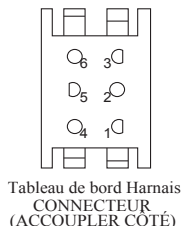
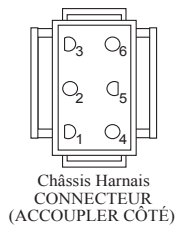
REMARQUE

VOTRE TRACTEUR EST ÉQUIPÉ D'UN SYSTÈME D'ALTERNATEUR SPÉCIAL AU LIEU D'ÊTRE BRANCHÉS SUR LA BATTERIE, LES PHARES DISPOSENT DE LEUR PROPRE SOURCE D'ÉNERGIE ÉLECTRIQUE, DONC LA BRILLANCE DES PHARES CHANGERA EN FONCTION DE LA VITESSE DU MOTEUR. AU RALENTI, LA BRILLANCE DES PHARES BAISSERA; QUAND LE MOTEUR EST ACCÉLÉRÉ, LA BRILLANCE ATTEINDRA SON MAXIMUM.



CONTACTEUR D'ALLUMAGE

| POSITION | CIRCUIT | "FAITS" |
|-----------------|------------|---------|
| ARRÊT | M + G + A1 | |
| MARCHÉ/ALLUMAGE | B + A1 | |
| MARCHÉ | B + A1 | L + A2 |
| DÉMARRAGE | B + S + A1 | |



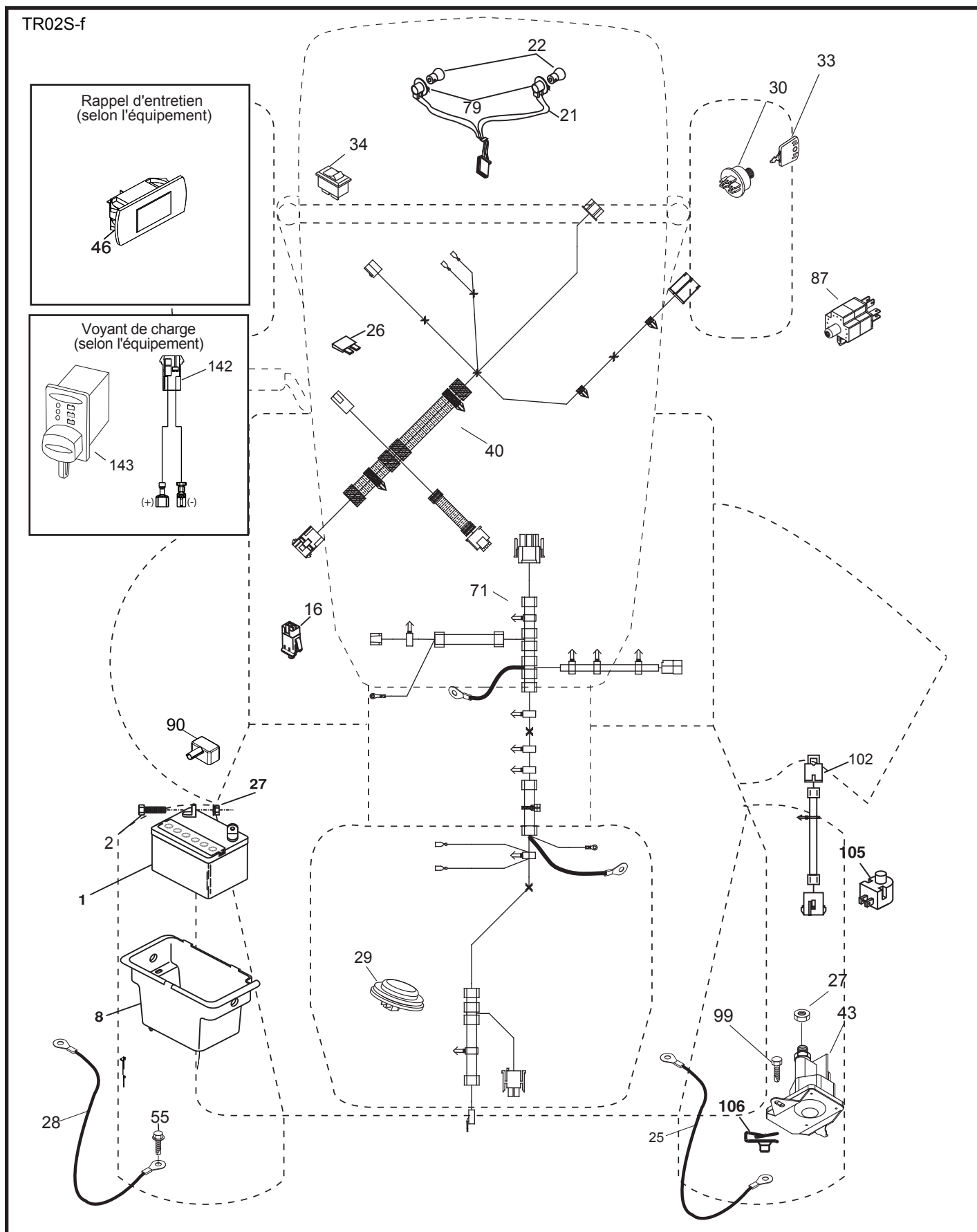
PINCES ISOLÉES

REMARQUE: SI LES PINCES ISOLÉES ONT ÉTÉ ENLEVÉES POUR L'ENTRETIEN DU MODÈLE, ELLES DOIVENT ÊTRE REMISES EN PLACE POUR ASSURER LE BON FONCTIONNEMENT DU CÂBLAGE.

CONNECTEURS NON-AMOVIBLES

CONNECTEURS AMOVIBLES

TRACTEUR - NO. DE MODÈLE YTH1942 (96043024900), NO. DE PROD. 960 43 02-49
ÉLECTRIQUE

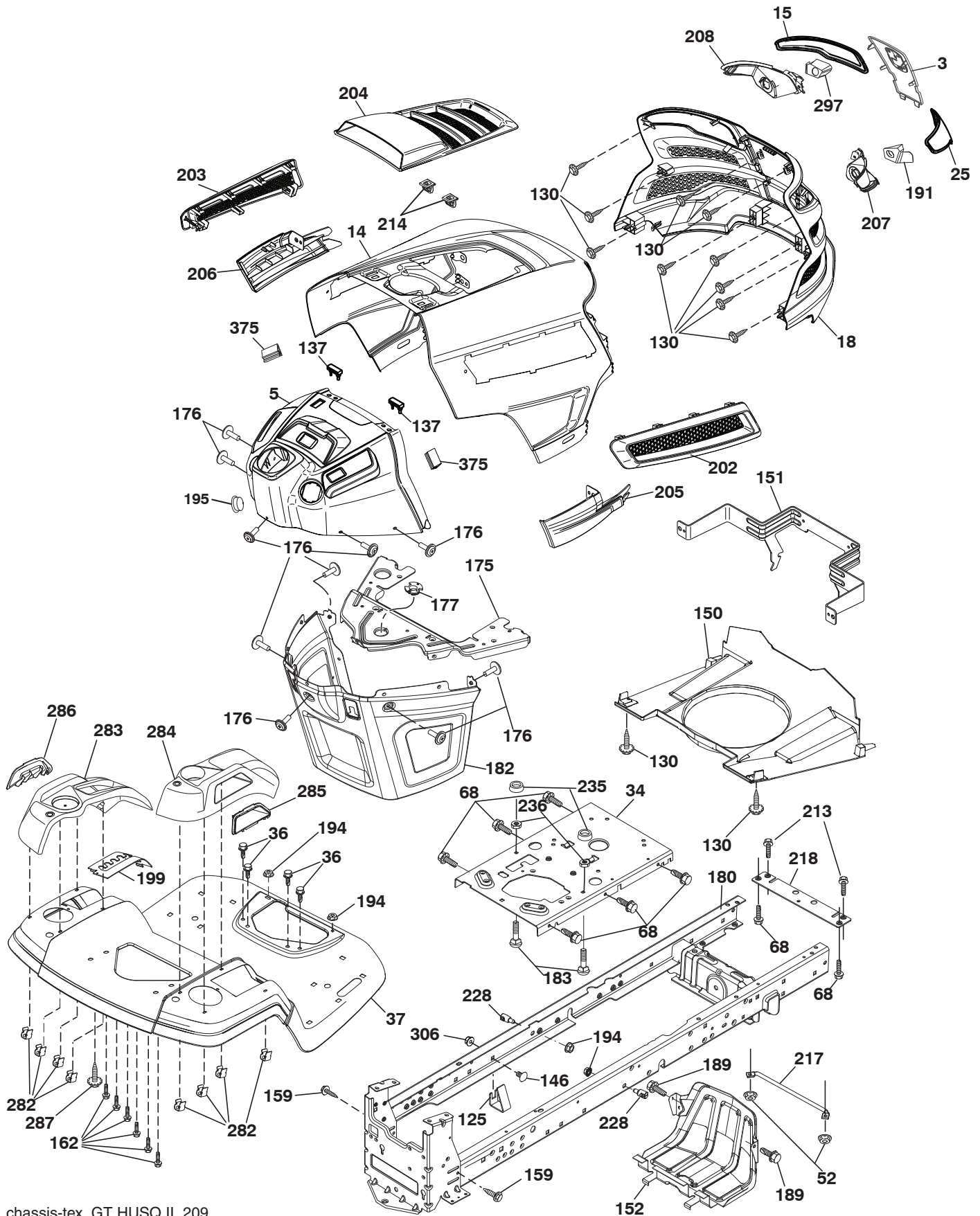


**TRACTEUR - NO. DE MODÈLE YTH1942 (96043024900), NO. DE PROD. 960 43 02-49
ÉLECTRIQUE**

| NO. DE RÉF. | NO DE PIÈCE | DESCRIPTION |
|----------------------------|----------------------------|---|
| 1 | 532 16 34-65 | Batterie |
| 2 | 874 76 04-12 | Boulon H 1/4-20 unc x 3/4 |
| 8 | 532 19 32-28 | Batterie de la boîte |
| 16 | 532 17 61-38 | Interrupteur de verrouillage pressé |
| 21 | 532 40 02-52 | Harnais des prises de courant des phares |
| 22 | 532 00 41-52 | Ampoule |
| 25 | 581 49 80-01 | Câble de démarreur |
| 26 | 532 17 51-58 | Fusible |
| 27 | 596 13 36-01 | Écrou frein 1/4-20 |
| 28 | 532 42 16-86 | Câble de masse |
| 29 | 532 40 15-45 | Interrupteur |
| 30 | 532 19 33-50 | Contacteur d'allumage |
| 33 | 532 41 19-33 | Clé de contact |
| 34 | 532 11 07-12 | L'interrupteur des phares |
| 40 | 581 02 31-01 | Harnais d'allumage |
| 43 | 582 04 28-02 | Solénoïde |
| 55 | 817 06 05-12 | Vis 5/16-18 x 3/4 |
| 71 | 501 13 37-01 | Harnais châssis |
| 79 | 532 17 52-42 | L'ampoule d'Assemblée de douille |
| 87 | 532 19 78-02 | Interrupteur interlock câble d'embrayage |
| 90 | 532 43 53-95 | Couverture |
| 99 | 817 67 04-12 | Vis H 1/4-20 x 3/4 |
| 102 | 532 40 44-54 | L'assemblée du Câble |
| 105 | 532 40 75-68 | Commutateur inverse de contrôle de pédale |
| 106 | 532 17 48-14 | Pal écrou |

REMARQUE: Toutes les dimensions de composant sont données en pouces É.-U. --1 pouce = 25,4 mm

TRACTEUR - NO. DE MODÈLE YTH1942 (96043024900), NO. DE PROD. 960 43 02-49
CHÂSSIS/ENCEINTES



chassis-tex_GT HUSQ II_209

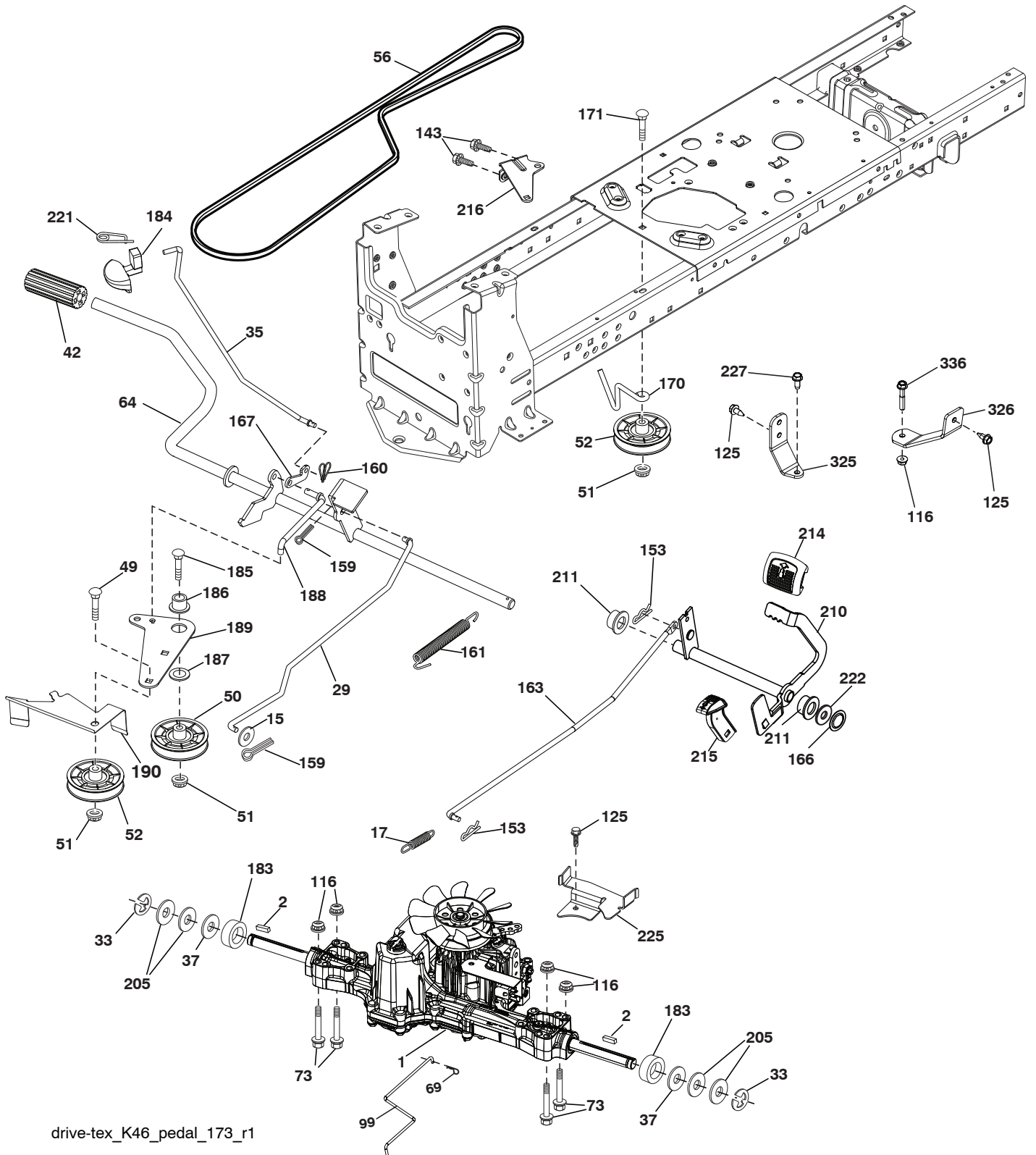
**TRACTEUR - NO. DE MODÈLE YTH1942 (96043024900), NO. DE PROD. 960 43 02-49
CHÂSSIS/ENCEINTES**

| NO. DE RÉF. | NO DE PIÈCE | DESCRIPTION |
|-------------|--------------|-------------------------------|
| 3 | 532 44 44-81 | Applique |
| 5 | 590 74 88-18 | Tableau de bord |
| 14 | 532 44 11-77 | Capot |
| 15 | 532 43 97-33 | Lentilles C.G. |
| 18 | 597 24 72-01 | Grille/Lentilles assemblée |
| 25 | 532 44 33-85 | Lentilles C.D. |
| 34 | 580 91 08-01 | Moteur de plaque |
| 36 | 817 06 05-12 | Vis 5/16-18 x 3/4 |
| 37 | 532 44 12-66 | Aîle |
| 52 | 596 04 05-01 | Écrou frein 5/16-18 |
| 68 | 596 03 07-01 | Vis 5/16-18 x 1/2 |
| 125 | 581 68 48-01 | Pince |
| 130 | 596 32 17-01 | Vis 10 x .750 |
| 137 | 532 40 75-90 | Précipiter le pare-chocs |
| 146 | 581 85 79-01 | Boulon |
| 150 | 532 43 97-31 | Conduit d'air |
| 151 | 532 43 66-70 | Support de capot de pivot |
| 152 | 532 43 98-70 | Deflecteur |
| 159 | 817 00 06-12 | Vis 3/8-16 x 3/4 |
| 162 | 596 13 41-01 | Vis 1/4-15 x 1/2 |
| 175 | 590 60 77-02 | Pièce d'entretoisement |
| 176 | 532 40 07-76 | Vis 10-24 x 5/8 |
| 177 | 532 19 52-28 | Douille |
| 180 | 532 19 54-57 | Châssis |
| 182 | 586 73 86-02 | Tableau de bord |
| 183 | 595 30 57-01 | Vis 5/16-18 x 1-1/4 |
| 189 | 817 00 05-12 | Vis 5/16-18 x 3/4 |
| 191 | 532 43 74-55 | Insertion réfléchissante C.D. |
| 194 | 596 13 57-01 | Écrou 5/16-18 |

| NO. DE RÉF. | NO DE PIÈCE | DESCRIPTION |
|-------------|--------------|---------------------------------|
| 195 | 532 40 41-37 | Prise de courant |
| 199 | 532 41 34-85 | L'ascenseur de Plaque de pont |
| 202 | 532 43 97-28 | Ventile C.D. |
| 203 | 532 43 97-27 | Ventile C.G. |
| 204 | 587 48 58-01 | Ventile sommet |
| 205 | 532 43 97-30 | Jupe C.D. |
| 206 | 532 43 97-29 | Jupe C.G. |
| 207 | 532 43 97-34 | Biseau C.D. |
| 208 | 532 43 97-35 | Biseau C.G. |
| 213 | 596 03 05-01 | Boulon 5/16-18 x 3/4 |
| 214 | 532 19 91-45 | Collier de retenue |
| 217 | 532 40 91-67 | Pivoter la Tringle |
| 218 | 532 19 63-95 | Arrêt de hotte en X |
| 228 | 532 19 51-61 | Boulon |
| 235 | 596 56 42-01 | Entretoise pour l'aîle |
| 236 | 873 93 05-00 | Écrou auto-bloquant 5/16-18 unc |
| 282 | 532 41 41-10 | Console de retenue de clip |
| 283 | 532 44 20-39 | Pont de console |
| 284 | 532 43 98-23 | Changement de console |
| 285 | 532 41 63-15 | Insert de console C.G. |
| 286 | 532 41 63-17 | Console Insert LH |
| 287 | 817 60 04-06 | Vis 1/4-20 X 3/8 |
| 297 | 532 43 74-56 | Insertion réfléchissante C.G. |
| 306 | 873 90 06-00 | Écrou |
| 375 | 586 90 82-01 | Butoir de capot |
| -- | 532 43 18-82 | Kit de garde de brosse |

REMARQUE: Toutes les dimensions de composant sont données en pouces É.-U. --1 pouce = 25,4 mm

TRACTEUR - NO. DE MODÈLE YTH1942 (96043024900), NO. DE PROD. 960 43 02-49
ENTRAÎNEMENT



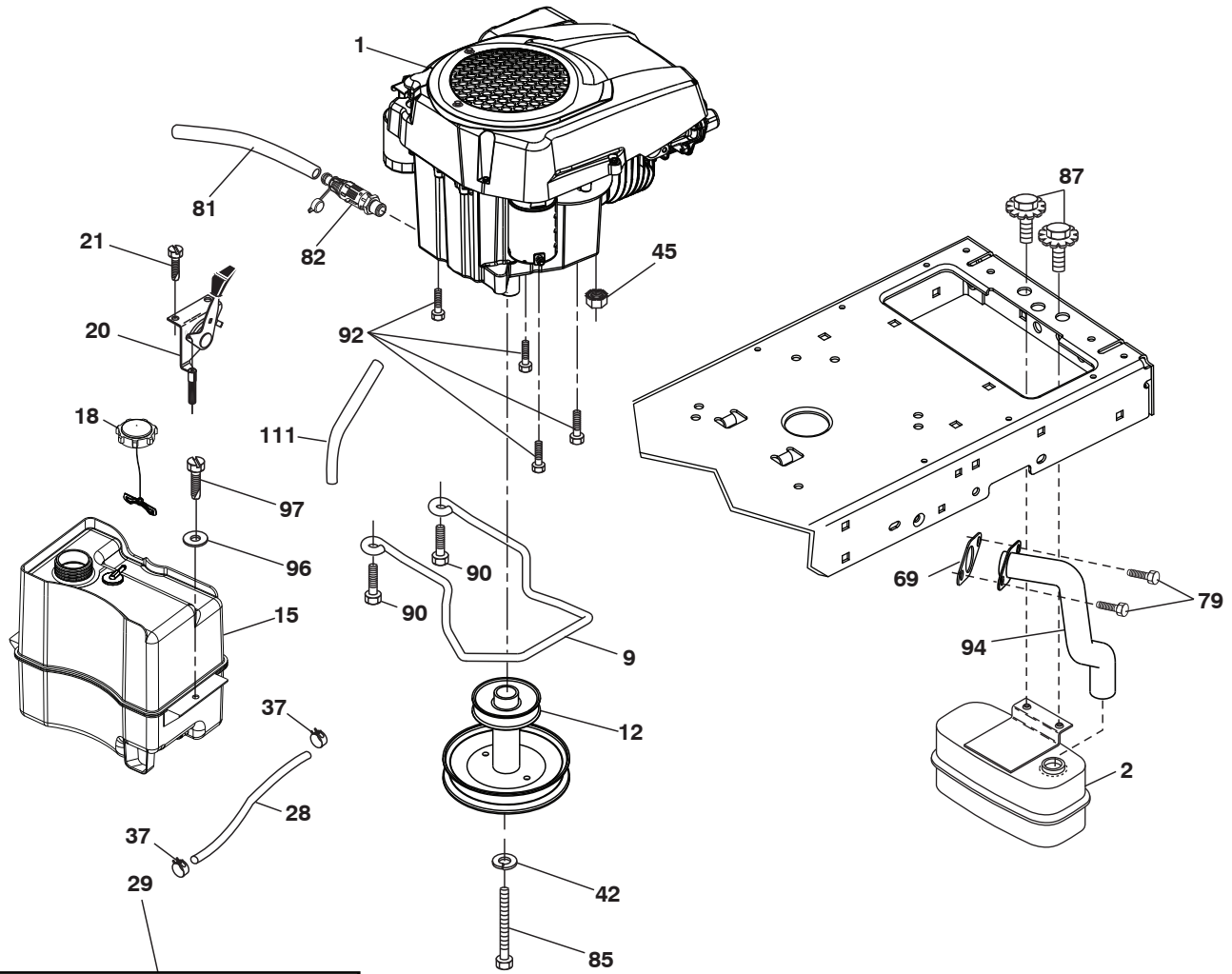
drive-tex_K46_pedal_173_r1

TRACTEUR - NO. DE MODÈLE YTH1942 (96043024900), NO. DE PROD. 960 43 02-49 ENTRAÎNEMENT

| NO. DE RÉF. | NO DE PIÈCE | DESCRIPTION | NO. DE RÉF. | NO DE PIÈCE | DESCRIPTION |
|-------------|--------------|--|-------------|--------------|---|
| 1 | --- | Transmission K46BT (426120) (Commandez les pièces du fabricant du transmission.) | 167 | 532 40 52-57 | Loquet |
| 2 | 532 12 35-83 | Clé | 170 | 532 19 43-22 | Gardien V-idler |
| 15 | 819 13 13-16 | Rondelle 13/32 x 13/16 x 16 Ja. | 171 | 596 13 63-01 | Boulon 3/8-16 x 2 |
| 17 | 532 41 36-78 | Ressort | 183 | 532 13 70-57 | Entretoise fendue |
| 29 | 532 40 38-06 | Tige du frein | 184 | 587 65 37-01 | Guidon |
| 33 | 812 00 00-01 | Bague en E | 185 | 872 11 06-22 | Boulon 3/8-16 x 2-3/4 Cat. 5 |
| 35 | 583 86 45-02 | Tige, frein, parc | 186 | 532 19 43-21 | Ressort de retenue |
| 37 | 532 18 89-67 | Rondelle .793 x 1.637 x 060 | 187 | 596 13 55-01 | Rondelle 13/32 x 2 |
| 42 | 532 00 88-83 | Couverture de la pédale | 188 | 582 21 70-01 | Raccord d'embrayage longue |
| 49 | 596 13 62-01 | Boulon 3/8-16 x 3/4 | 189 | 532 19 43-17 | Levier coudé |
| 50 | 532 19 43-27 | Poulie du galet-tendeur | 190 | 532 19 43-18 | Guide |
| 51 | 873 90 06-00 | Écrou frein 3/8-16 | 205 | 532 12 17-48 | Rondelle |
| 52 | 532 19 43-26 | Galet-tendeur | 210 | 532 40 09-80 | Commande de pédale d'assemblage à bascule |
| 56 | 592 85 52-01 | Courroie trapézoïdale | 211 | 532 12 01-83 | Palier de nylon |
| 64 | 532 19 78-65 | Ensemble de l'arbre | 214 | 532 42 12-63 | Pédale en avant |
| 69 | 532 42 33-03 | Épingle à cheveux en zinc | 215 | 586 60 65-02 | Pédale contraire |
| 73 | 596 13 65-01 | Boulon 5/16-18 x 1-1/2 | 216 | 532 19 61-31 | Poulie de poulie |
| 99 | 582 40 45-01 | Tdérivation de tige | 221 | 532 40 31-87 | Poignée de clip à ressort d'arrêt |
| 116 | 596 13 57-01 | Écrou frein 5/16-18 x .68 | 222 | 879 21 20-10 | Rondelle 21/32 x 1-1/4 x 10 Ja. |
| 125 | 817 00 05-12 | Vis 5/16-18 x 3/4 | 225 | 532 40 33-19 | Garde De courroie De Transmission |
| 143 | 596 03 07-01 | Vis 5/16-18 x 1/2 | 227 | 596 13 59-01 | Vis 5/16-18 x 3/4 |
| 153 | 532 00 44-97 | Ressort D'Arrêt | 325 | 585 67 08-02 | Support attache de torsion CD |
| 159 | 596 02 95-01 | Goupille fendue 1/8 x 3/4 | 326 | 585 66 85-02 | Support attache de torsion CG |
| 160 | 596 02 94-01 | Collier de retenue | 336 | 587 25 96-02 | Boulon |
| 161 | 532 10 57-09 | Ressort de rappel d'embrayage | | | |
| 163 | 593 86 10-01 | Tige | | | |
| 166 | 532 42 91-64 | L'écrou poussant | | | |

REMARQUE: Toutes les dimensions de composant sont données en pouces É.-U. --1 pouce = 25,4 mm

TRACTEUR - NO. DE MODÈLE YTH1942 (96043024900), NO. DE PROD. 960 43 02-49
MOTEUR



**ÉQUIPEMENT FACULTATIF
 PARA-ÉTINCELLES**

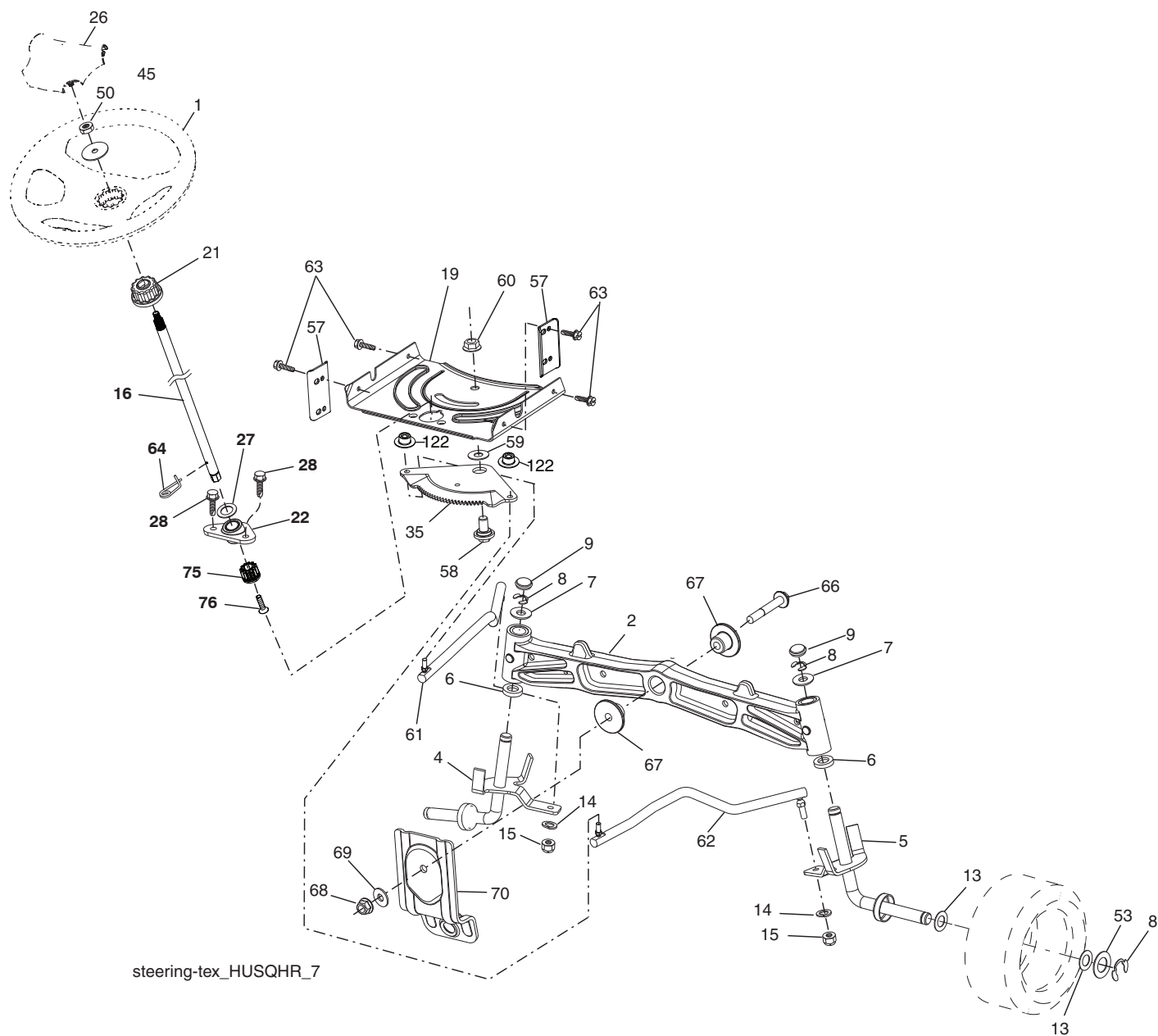
engine-tex_loncin_18

**TRACTEUR - NO. DE MODÈLE YTH1942 (96043024900), NO. DE PROD. 960 43 02-49
MOTEUR**

| NO. DE RÉF. | NO. DE PIÈCE | DESCRIPTION |
|----------------------------|-----------------------------|--|
| 1 | --- | Moteur Husqvarna LC1P96F (598693901) (Commandez les pièces du fabricant du moteur.) |
| 2 | 590 64 53-01 | Silencieux |
| 9 | 501 83 26-02 | Moteur de ceinture de gardien |
| 12 | 586 47 85-01 | Moteur de poulie |
| 15 | 532 43 30-06 | Carburant de réservoir |
| 18 | 581 17 61-01 | Chapeau |
| 20 | 532 18 38-97 | Commande des gaz |
| 21 | 596 32 17-01 | Vis #10 x .750 BOS |
| 28 | 532 40 11-37 | Conduite de carburant |
| 29 | 532 13 71-80 | Jeu de pare - étincelles |
| 37 | 532 12 34-87 | Bride de serrage de tuyau |
| 42 | 596 23 89-01 | Rondelle 7/16 |
| 69 | 590 86 36-01 | Joint |
| 79 | 596 13 42-02 | Vis 5/16-18 x 1 |
| 81 | 532 14 84-56 | Tube |
| 82 | 532 42 82-87 | Soupape |
| 85 | 501 60 65-01 | Boulon Hex 7/16-20 x 4 Cat. 5 |
| 87 | 532 17 18-77 | Boulon 5/16-18 unc x 3/4 w/sems |
| 90 | 817 00 06-16 | Vis 3/8-16 x 1 |
| 92 | 817 12 06-16 | Vis 3/8-16 x 1 |
| 94 | 590 86 48-01 | Tube d'échappement |
| 96 | 596 13 53-01 | Rondelle 9/32 x 7/8 |
| 97 | 817 67 04-12 | Vis 1/4-20 x 3/4 |
| 111 | 596 94 15-01 | Carburant de purge de tube |

REMARQUE: Toutes les dimensions de composant sont données en pouce d'E.-U. - - 1 pouce = 25,4 mm.

TRACTEUR - NO. DE MODÈLE YTH1942 (96043024900), NO. DE PROD. 960 43 02-49
ENSEMBLE DE LA DIRECTION



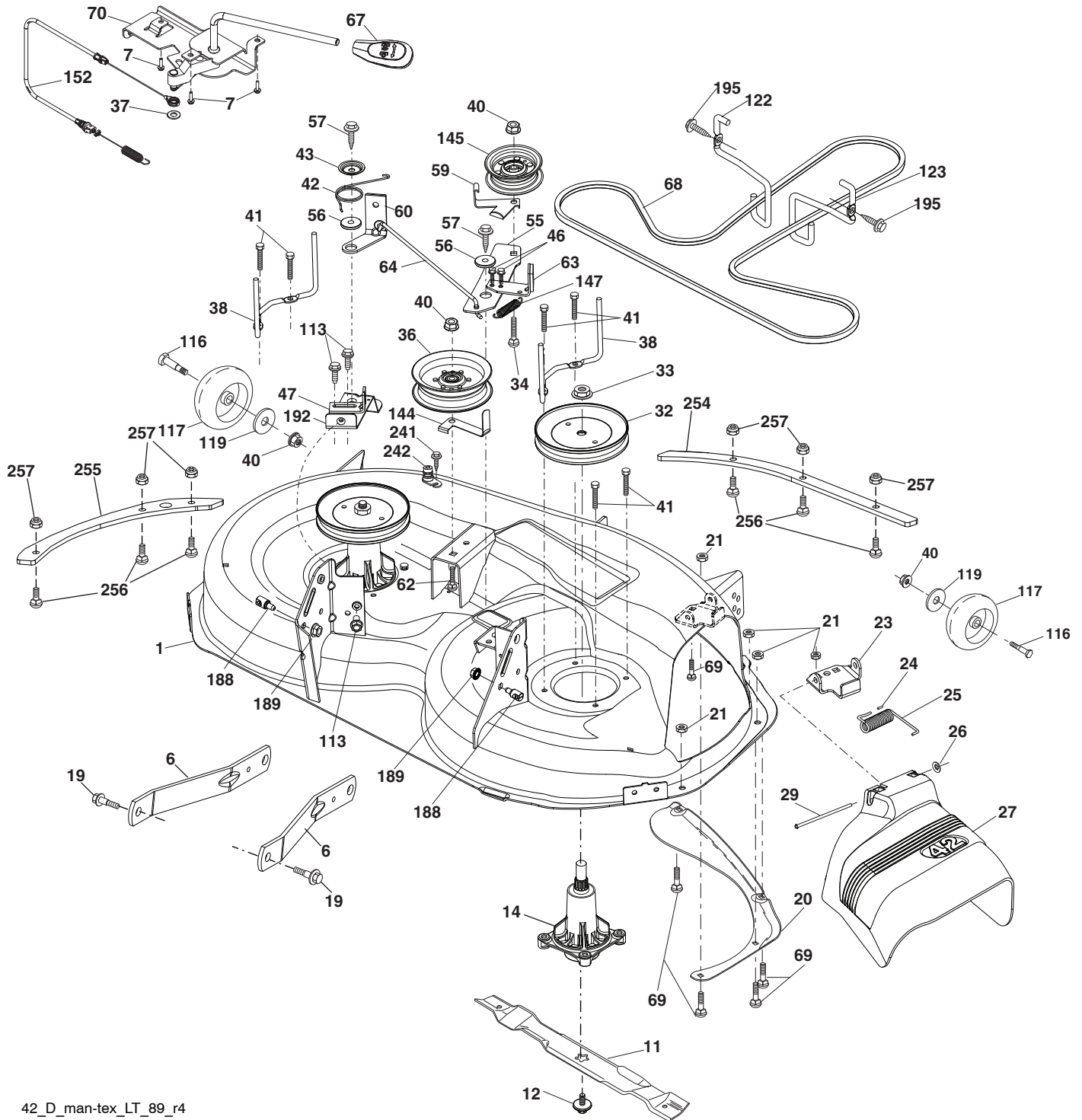
steering-tex_HUSQHR_7

**TRACTEUR - NO. DE MODÈLE YTH1942 (96043024900), NO. DE PROD. 960 43 02-49
ENSEMBLE DE LA DIRECTION**

| NO. DE RÉF. | NO DE PIÈCE | DESCRIPTION |
|----------------------------|----------------------------|--|
| 1 | 532 43 97-40 | Volant de direction |
| 2 | 532 19 59-68 | Essieu |
| 4 | 532 40 30-87 | Ensemble de la broche C.G. |
| 5 | 532 40 30-88 | Ensemble de la broche C.D. |
| 6 | 532 00 62-66 | Palier butée .75 x 1.230 |
| 7 | 532 12 17-48 | Rondelle 25/32 x 1-5/8 x 16 Ja. |
| 8 | 812 00 00-29 | Rondelle clip n°t5304-75 |
| 9 | 532 12 12-32 | Chapeau de broche |
| 13 | 532 12 17-49 | Rondelle 25/32 x 1-1/4 x 16 Ja. |
| 14 | 596 23 87-01 | Rondelle frein à ressort .381D x .680 |
| 15 | 873 54 06-00 | Écrou frein 3/8-24 unf |
| 16 | 587 01 60-02 | Arbre de direction |
| 19 | 532 19 47-29 | Arbre de plaque |
| 21 | 586 84 02-01 | Adaptateur du volant de direction |
| 22 | 585 02 98-02 | Palier |
| 26 | 532 43 97-43 | Insert de chapeau du volant de direction |
| 27 | 596 93 34-01 | Rondelle |
| 28 | 817 00 06-12 | Vis 3/8-16 x 3/4 |
| 35 | 532 19 47-32 | Secteur denté |
| 45 | 587 01 64-01 | Rondelle 3/8 ID 2-3/8 OD 12 Ja. PLTD |
| 50 | 873 90 06-00 | Écrou 3/8-16 unc |
| 53 | 532 18 89-67 | Rondelle .793 x 1.637 x .060 |
| 57 | 532 40 74-65 | Support de support |
| 58 | 532 19 47-47 | Axe de pivot de secteur d'épaule CFM |
| 59 | 532 19 47-48 | Rondelle |
| 60 | 873 97 10-00 | Écrou frein à collet 5/8-11 |
| 61 | 597 07 02-02 | Barre de direction C.G. |
| 62 | 597 07 03-02 | Barre de direction C.D. |
| 63 | 817 00 05-12 | Vis 5/16-18 x 3/4 |
| 64 | 532 19 98-49 | Collier de retenue |
| 66 | 871 02 07-48 | Boulon H 7/16-14 x 3 |
| 67 | 532 19 47-37 | Douille |
| 68 | 873 90 07-00 | Écrou frein à collet 7/16-14 Cat. 5 |
| 69 | 532 19 91-62 | Rondelle 1.5 x .505 x .118 |
| 70 | 585 33 88-01 | Support |
| 75 | 580 68 37-01 | Pignon |
| 76 | 580 68 36-01 | Vis |
| 122 | 532 44 49-62 | Secteur de l'engrenage |

REMARQUE: Toutes les dimensions de composant sont données en pouces É.-U. --1 pouce = 25,4 mm

TRACTEUR - NO. DE MODÈLE YTH1942 (96043024900), NO. DE PROD. 960 43 02-49
CARTER DE TONDEUSE



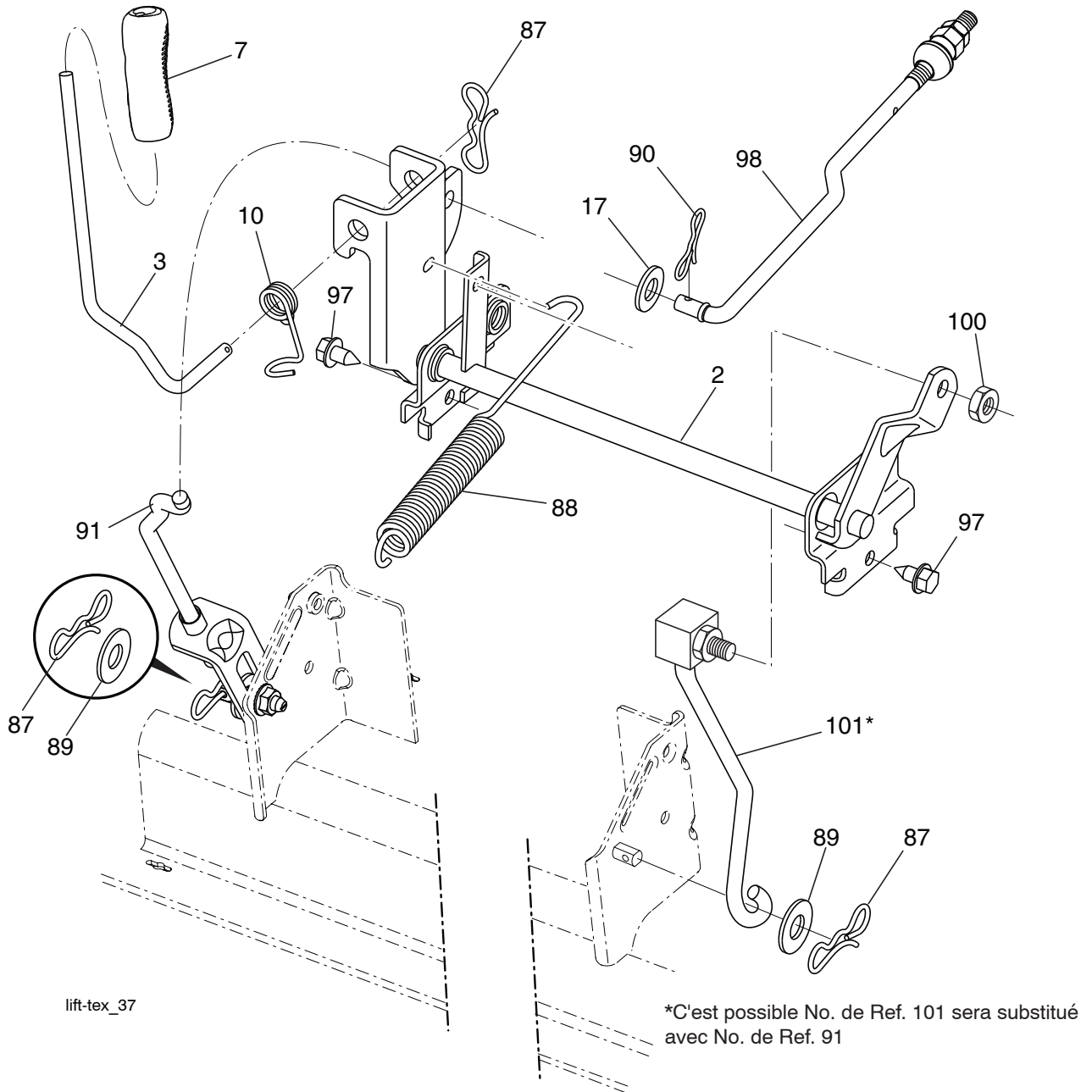
42_D_man-tex_LT_89_r4

TRACTEUR - NO. DE MODÈLE YTH1942 (96043024900), NO. DE PROD. 960 43 02-49 CARTER DE TONDEUSE

| NO. DE RÉF. | NO DE PIÈCE | DESCRIPTION | NO. DE RÉF. | NO DE PIÈCE | DESCRIPTION |
|-------------------|-------------------|--|-------------------|-------------------|--------------------------------------|
| 1 | 532 44 78-95 | Boîtier de la tondeuse | 60 | 532 19 72-61 | Arm Brake Mower |
| 6 | 532 19 51-86 | Suspension de bras | 62 | 596 13 63-01 | Bolt 3/8-16 x 2 |
| 7 | 596 32 17-01 | Vis #10 x .750 BOS | 63 | 532 19 94-77 | Levier de frein |
| 11 | 532 13 89-71 | Lame, 42" ascenseur élevé (Pour l'ensachage ou la décharge) | 64 | 532 19 99-18 | Raccourcir frein |
| 12 | 584 30 93-01 | Vis | 67 | 532 40 30-12 | Hanais De L'embrayage |
| 14 | 587 81 97-01 | Jeu, kit, mandrin, non graissable, grand (comprend mandrin asm et boulons) | 68 | 532 42 96-36 | Courroie Trapézoïdale |
| 19 | 532 19 65-39 | Boulon, épaulement | 69 | 596 13 64-01 | Boulon 5/16-18 x 5/8 |
| 20 | 532 15 97-70 | Défecteur, Vortex | 70 | 532 19 99-72 | Manuel de l'embrayage |
| 21 | 596 04 05-01 | Écrou frein 5/16-18 | 113 | 817 00 05-10 | Vis 5/16-18 |
| 23 | 532 19 25-57 | Support, déflecteur | 116 | 596 43 44-02 | Boulon 2.41 x 1.66 x 5 |
| 24 | 532 10 53-04 | Mancherons | 117 | 589 52 74-01 | Support de roue |
| 25 | 532 19 70-26 | Ressort, torsion, déflecteur | 119 | 596 13 49-01 | Rondelle 3/8 x 7/8 |
| 26 | 532 11 04-52 | Rondelle frein | 122 | 532 19 72-58 | Guide-courroie du moteur C.G. |
| 27 | 532 40 30-04 | Bouclier, déflecteur | 123 | 532 19 72-59 | Guide-courroie du moteur C.D. |
| 29 | 595 29 70-01 | Tige à charnière | 144 | 532 19 92-04 | Guide-courroie |
| 32 | 532 19 74-73 | Poulie | 145 | 532 19 31-97 | Poulie de tension |
| 33 | 596 13 48-01 | Écrou 9/16-18 x 1.010 | 147 | 532 40 19-71 | Ressort de rappel |
| 34 | 596 13 61-01 | Boulon 3/8-16 x 1-1/2 | 152 | 584 24 35-01 | Câble d'embrayage manuel |
| 36 | 532 19 73-79 | Poulie du galet-tendeur | 188 | 532 19 51-61 | Tenon attache |
| 37 | 819 13 13-16 | Rondelle | 189 | 596 13 57-01 | Écrou frein 5/16-18 x .68 |
| 38 | 589 67 61-02 | Guide-courroie | 192 | 532 19 72-60 | Support frien supporter C.G. |
| 40 | 873 90 06-00 | Bride de blocage d'écrou 3/8-16 unc | 195 | 817 00 06-12 | Vis 3/8-16 x 3/4 |
| 41 | 584 95 39-01 | Boulon 3/16-18 x 1.19 | 241 | 532 15 29-27 | Vis TT #10-32 5 3/8 boudin |
| 42 | 532 19 84-10 | Ressort de torsion des freins | 242 | 532 41 55-98 | Raccord de lavage |
| 46 | 532 13 77-29 | Vis 1/4-20 x 5/8 | 254 | 585 31 68-05 | Plaque de renforcement |
| 47 | 532 19 72-50 | Câble d'embrayage de braket | 255 | 585 31 70-05 | Plaque de renforcement 42" |
| 55 | 532 43 71-10 | Bras du galet-tendeur | 256 | 592 80 78-01 | Boulon 1/4-20 x 1 |
| 56 | 532 19 90-92 | Ressort de retenue | 257 | 873 90 04-00 | Écrou frein H avec boudin 1/4-20 x 1 |
| 57 | 817 00 06-16 | Vis 3/8-16 x 1 | -- | 532 41 64-05 | Connecter D'accouplement Du Rapide |
| 59 | 532 14 10-43 | Protecteur TUV du galet-tendeur | -- | 532 44 78-93 | Faucheuse de remplacement complète |

REMARQUE: Toutes les dimensions de composant sont données en pouces É.-U. --1 pouce = 25,4 mm

**TRACTEUR - NO. DE MODÈLE YTH1942 (96043024900), NO. DE PROD. 960 43 02-49
LEVAGE DE TONDEUSE**



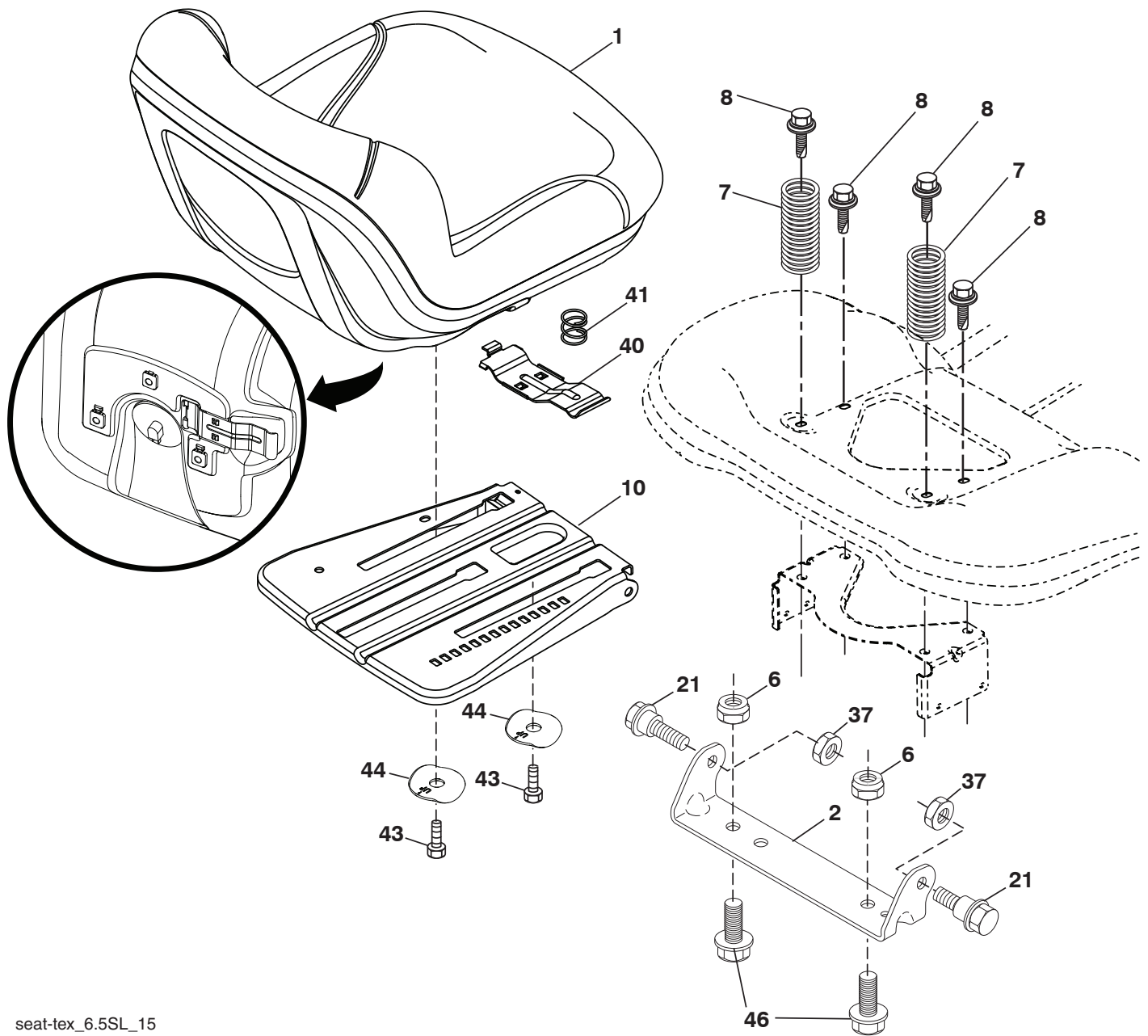
lift-tex_37

| NO. DE RÉF. | NO DE PIÈCE | DESCRIPTION |
|-------------|--------------|---------------------------------|
| 2 | 532 42 20-27 | Ensemble de l'arbre |
| 3 | 594 01 80-01 | Levier de levage |
| 7 | 580 96 23-01 | Poignée cannelée du levier |
| 10 | 532 19 63-14 | Ressort de Torsion |
| 17 | 819 15 15-16 | Rondelle 15/32 x 15/16 x 16 Ja. |
| 87 | 532 19 42-09 | Goupille fendue 7/16 |
| 88 | 532 41 07-10 | Ressort de retenue |
| 89 | 819 19 19-12 | Rondelle |
| 90 | 532 19 42-08 | Goupille Fendue 5/16 |

| NO. DE RÉF. | NO DE PIÈCE | DESCRIPTION |
|-------------|--------------|---|
| 91 | 589 46 48-03 | Raccord de levage |
| 97 | 817 06 06-12 | Vis 3/8-16 x .75 |
| 98 | 532 19 52-70 | Lien tondeuse suspension tondeuse avant |
| 100 | 595 30 59-01 | Écro 3/8-16 |
| 101 | 532 40 70-03 | Raccord |

REMARQUE: Toutes les dimensions de composant sont données en pouces É.-U. --1 pouce = 25,4 mm.

TRACTEUR - NO. DE MODÈLE YTH1942 (96043024900), NO. DE PROD. 960 43 02-49
ENSEMBLE DU SIÈGE



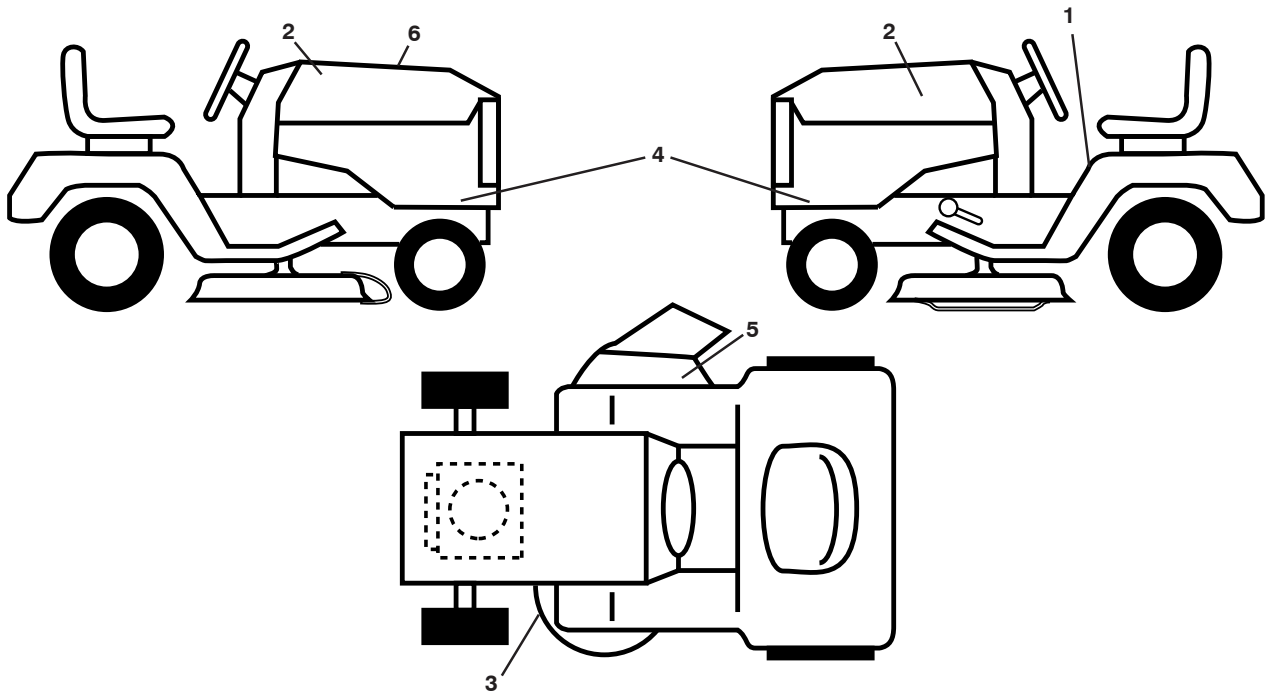
seat-tex_6.5SL_15

| NO. DE RÉF. | NO DE PIÈCE | DESCRIPTION |
|-------------|--------------|--------------------------------------|
| 1 | 532 43 98-19 | Siège |
| 2 | 532 18 01-66 | Support de pivot |
| 6 | 873 80 06-00 | Écrou frein H avec insert 3/8-16 unc |
| 7 | 589 48 35-01 | Ressort de compression du siège |
| 8 | 532 17 18-77 | Boulon 5/16-18 unc x 3/4 |
| 10 | 596 65 74-02 | Glissière de siège |
| 21 | 587 90 78-01 | Boulon à épaulement 5/16-18 |
| 37 | 596 58 37-02 | Écrou 5/16-18 |

| NO. DE RÉF. | NO DE PIÈCE | DESCRIPTION |
|-------------|--------------|---------------------------------|
| 40 | 595 08 81-02 | Guidon |
| 41 | 532 19 82-00 | Ressort de compression |
| 43 | 874 76 06-12 | Boulon 3/8-16 x 3/4 |
| 44 | 501 05 18-01 | Rondelle 13/32 x 2-3/8 x 12 Ja. |
| 46 | 588 09 04-01 | Boulon 3/8-16 x 1, 1.25 |

REMARQUE: Toutes les dimensions de composant sont données en pouces É.-U. --1 pouce = 25,4 mm

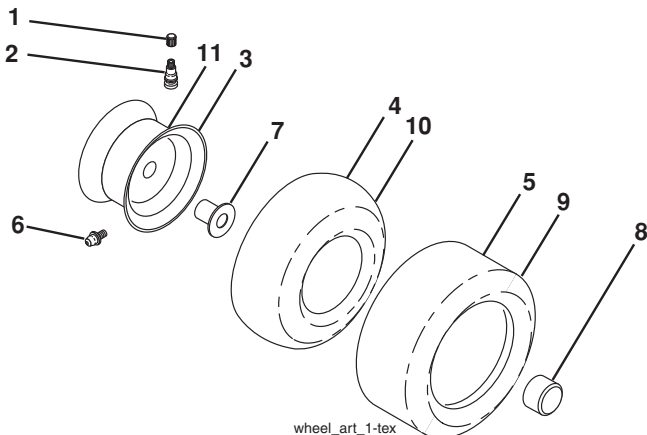
TRACTEUR - NO. DE MODÈLE YTH1942 (96043024900), NO. DE PROD. 960 43 02-49
DÉCALCOMANIE



| NO. DE RÉF. | NO DE PIÈCE | DESCRIPTION |
|-------------|--------------|--|
| 1 | 581 57 90-01 | Décalcomanie d'opération avertissement |
| 2 | 501 13 14-01 | Décalcomanie Husq |
| 3 | 581 58 00-01 | Décalcomanie se la courroie trapézoïdale |
| 4 | 592 88 89-01 | Décalcomanie du panneau latéral |
| 5 | 584 90 46-01 | Déflexeur de décharge de avertissement |
| 6 | 597 77 25-01 | Décalcomanie remplacement |
| -- | 581 72 48-01 | Décalcomanie dérivation |
| -- | 532 43 96-81 | Coussin d'repose-pied C.G. |
| -- | 532 43 96-82 | Coussin d'repose-pied C.D. |

| NO. DE RÉF. | NO DE PIÈCE | DESCRIPTION |
|-------------|--------------|---|
| -- | 115 93 31-27 | Manuel de l'opérateur (Anglais/Espagnol) |
| -- | 114 05 23-24 | Manuel de l'opérateur (Anglais/Français) |
| -- | 115 93 32-27 | Manuel des pièces (Anglais/Espagnol) |
| -- | 114 05 24-24 | Manuel des pièces (Anglais/Français) |
| -- | 114 14 98-70 | Manuel des pièces (Portugais) |
| -- | 587 71 00-26 | Guide de démarrage rapid (Anglais/Espagnol) |
| -- | 587 71 01-26 | Guide de démarrage rapid (Anglais/Français) |

ROUES & PNEUS



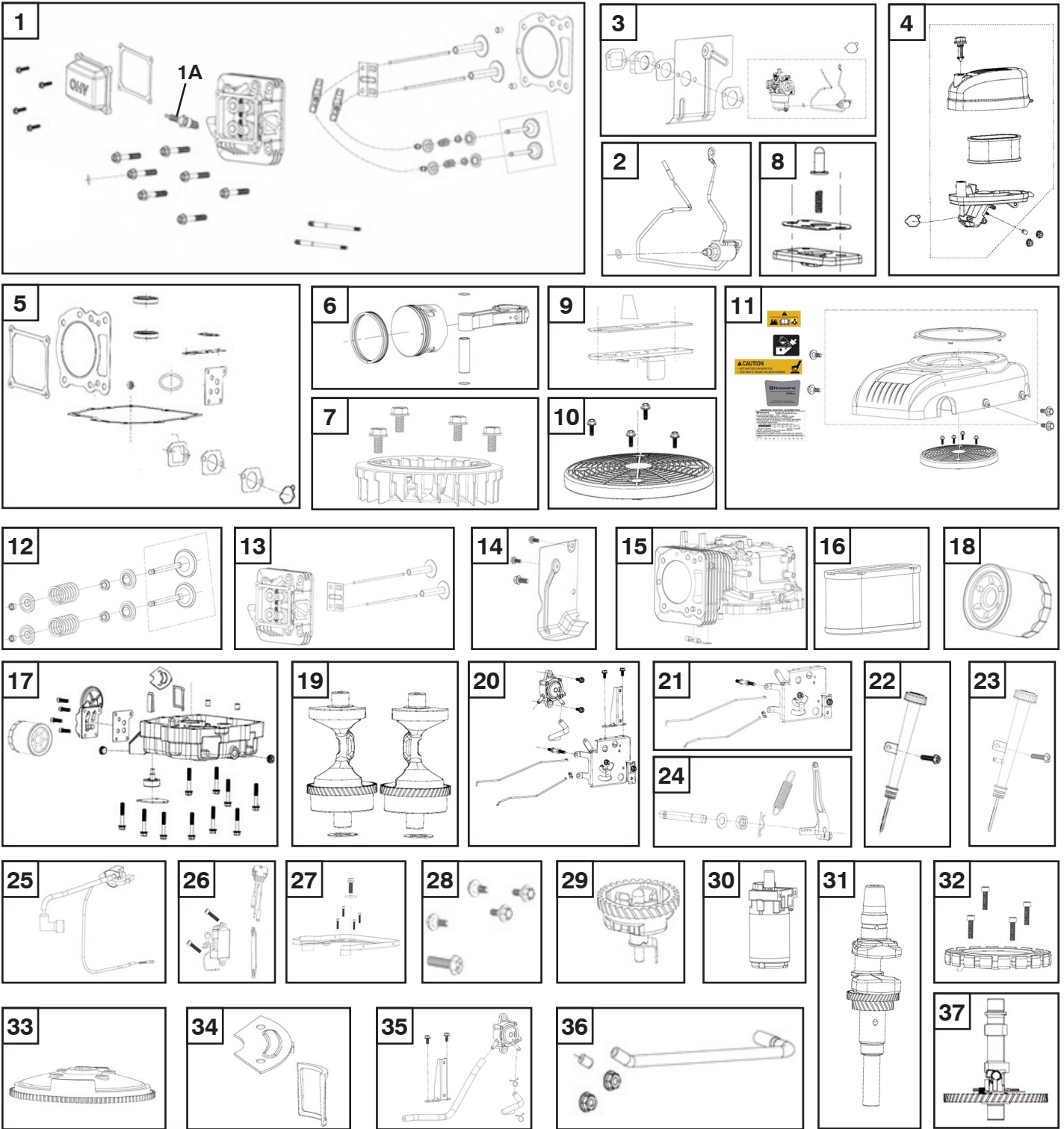
wheel_art_1-tex

| NO. DE RÉF. | NO DE PIÈCE | DESCRIPTION |
|-------------|--------------|---|
| 1 | 532 05 91-92 | Capuchon de la valve du pneu |
| 2 | 532 06 51-39 | Tubulure de la valve |
| 3 | 532 13 83-36 | Ensemble de la jante antérieure |
| 4 | 532 05 99-04 | Chambre à air antérieure (non fournie) |
| 5 | 532 10 62-22 | Pneu antérieur 15 x 6-6 |
| 6 | 532 00 02-78 | Graisneur (roue antérieure seulement) |
| 7 | 532 00 90-40 | Palier à bride (roue antérieure seulement) |
| 8 | 532 17 50-39 | Chapeau de l'essieu |
| 9 | 532 13 84-68 | Pneu arrière 20 x 10-8 |
| 10 | 532 00 71-52 | Chambre à air arrière (non fournie) |
| 11 | 532 13 83-37 | Ensemble de la jante arrière |
| -- | 532 14 43-34 | Joint d'étanchéité de pneu (tube de .30L [10 oz. Tube]) |

REMARQUE: Toutes les dimensions de composant sont données en pouces É.-U. --1 pouce = 25,4 mm

SERVICE NOTES/REMARQUES D'ENTRETIEN

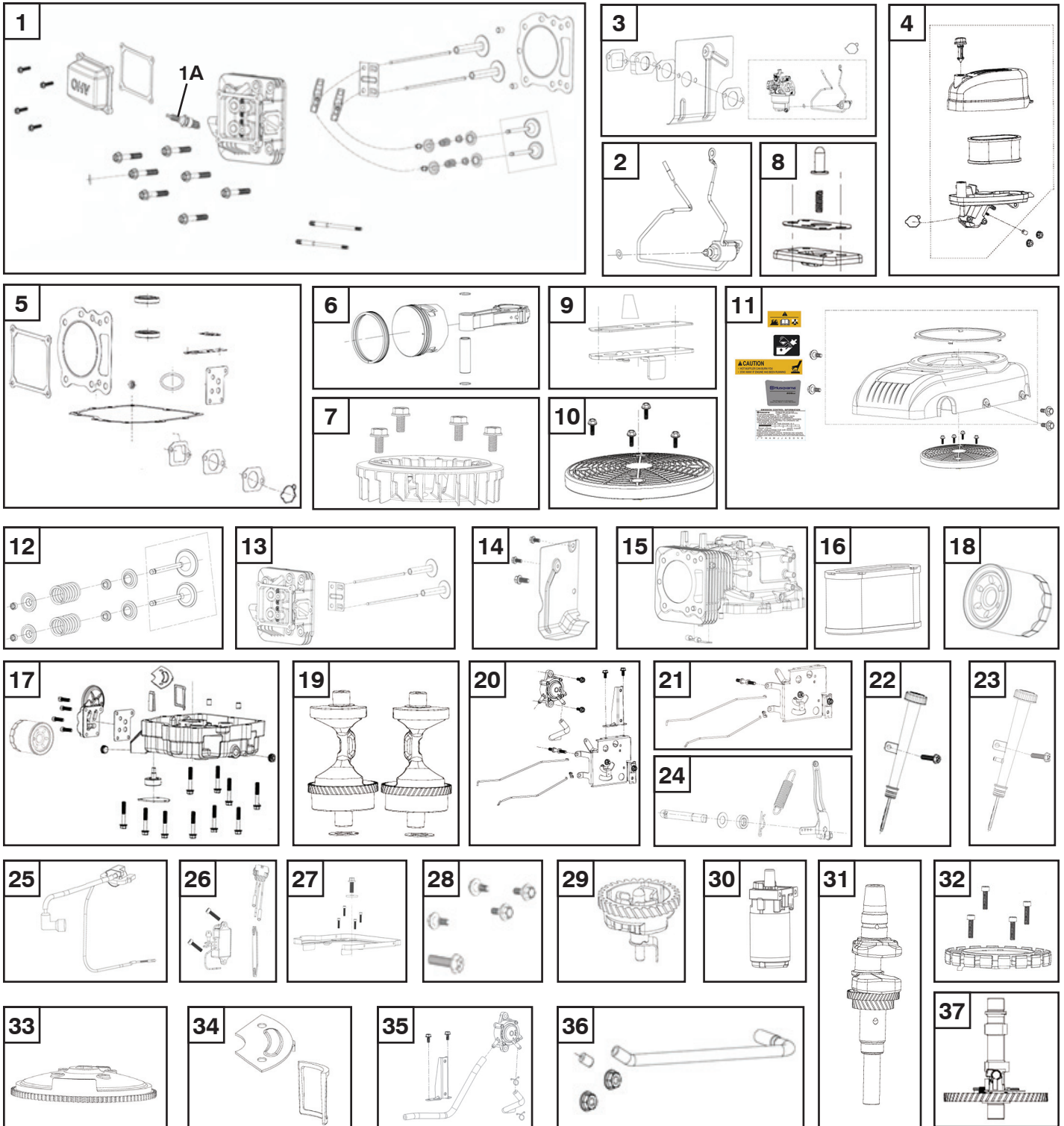
**TRACTOR - - MODELO NO. YTH1942 (96043024900), PRODUCTO NO. 960 43 02-49
HUSQVARNA ENGINE (608 CC)**



**TRACTOR - - MODELO NO. YTH1942 (96043024900), PRODUCTO NO. 960 43 02-49
HUSQVARNA ENGINE (608 CC)**

| ITEM NO. | PART NO. | DESCRIPTION | QTY. |
|-----------------|-----------------|--|-------------|
| 1 | 591166101 | CYLINDER HEAD COMP KIT | 1 |
| 1A | 591166001 | SPARK PLUG | 1 |
| 2 | 590901901 | SOLENOID KIT | 1 |
| 3 | 590902001 | CARBURETOR KIT TRACTOR WITHOUT FUEL PUMP | 1 |
| -- | 593240101 | CARBURETOR KIT TRACTOR WITH FUEL PUMP | 1 |
| 4 | 593230701 | AIR CLEANER KIT | 1 |
| 5 | 590902201 | GASKET AND SEAL KIT | 1 |
| 6 | 590903001 | PISTON AND RING SET,PISTON KIT | 1 |
| 7 | 590903101 | IMPELLER KIT | 1 |
| 8 | 590903201 | REED VALVE KIT | 1 |
| 9 | 590903301 | VALVE, BREATHER KIT | 1 |
| 10 | 592964601 | COOLING FAN COVER KIT | 1 |
| 11 | 593230901 | START COVER KIT | 1 |
| 12 | 591042401 | VALVE KIT | 1 |
| 13 | 591042501 | CYLINDER HEAD KIT | 1 |
| 14 | 591042701 | AIR DEFLECTOR KIT | 1 |
| 15 | 591042801 | CRANKCASE BODY KIT | 1 |
| 16 | 593231001 | AIR FILTER | 1 |
| 17 | 591043201 | CRANKCASE COVER KIT | 1 |
| 18 | 591043301 | OIL FILTER | 1 |
| 19 | 591043401 | BALANCING SHAFT KIT | 1 |
| 20 | 593104101 | THROTTLE LEVER KIT - TRACTOR WITH FUEL PUMP | 1 |
| 21 | 591043501 | THROTTLE LEVER KIT - TRACTOR WITHOUT FUEL PUMP | 1 |
| 22 | 591043801 | FILLER TUBE KIT WITHOUT FUEL PUMP | 1 |
| 23 | 593146701 | FILLER TUBE KIT WITH FUEL PUMP | 1 |
| 24 | 591043901 | SPEED REGULATING ARM KIT | 1 |
| 25 | 591044001 | IGNITION COIL ASSY | 1 |
| 25 | 591044101 | VOLTAGE RECTIFIER KIT | 1 |
| 27 | 591044201 | SIDE PLATE KIT | 1 |
| 28 | 591044301 | BOLT KIT | 1 |
| 29 | 591044501 | GOVENOR GEAR | 1 |
| 30 | 591044701 | STARTER MOTOR KIT | 1 |
| 31 | 592950701 | CRANK SHAFT KIT | 1 |
| 32 | 592950801 | CHARGING ARMATURE KIT | 1 |
| 33 | 592950901 | FLYWHEEL KIT | 1 |
| 34 | 592951001 | OIL STRAIN KIT | 1 |
| 35 | 593168501 | FUEL SYSTEM KIT | 1 |
| 36 | 591043101 | BREATHER TUBE KIT | 1 |
| 37 | 591044601 | CAM SHAFT KIT | 1 |

TRACTEUR - NO. DE MODÈLE YTH1942 (96043024900), NO. DE PRODUIT 960 43 02-49
HUSQVARNA MOTEUR (608 CC)



**TRACTEUR - NO. DE MODÈLE YTH1942 (96043024900), NO. DE PRODUIT 960 43 02-49
HUSQVARNA MOTEUR (608 CC)**

| NO. DE RÉF. | NO DE PIÈCE | DESCRIPTION | QTÉ. |
|----------------------------|----------------------------|--|-------------|
| 1 | 591166101 | ENSEMBLE DE CULASSE COMP | 1 |
| 1A | 591166001 | BOUGIE D'ALLUMAGE | 1 |
| 2 | 590901901 | ENSEMBLE DE SOLÉNOÏDE | 1 |
| 3 | 590902001 | ENSEMBLE DE CARBURATEUR WITHOUT FUEL PUMP | 1 |
| -- | 593240101 | ENSEMBLE DE CARBURATEUR ANS AUTANT POMPE À CARBURANT | 1 |
| 4 | 593230701 | ENSEMBLE DE FILTRE À AIR | 1 |
| 5 | 590902201 | ENSEMBLE DE JOINTS D'ÉTANCHÉITÉ | 1 |
| 6 | 590903001 | JEU DE PISTONS ET DE SEGMENTS, ENSEMBLE DE PISTON | 1 |
| 7 | 590903101 | ITURBINE | 1 |
| 8 | 590903201 | ENSEMBLE DE SOUPE À CLAPET | 1 |
| 9 | 590903301 | SOUPE, ENSEMBLE DE RENIFLARD | 1 |
| 10 | 592964601 | ENSEMBLE DE VENTILATEUR DE REFROIDISSEMENT ET DE SON COUVERCLE | 1 |
| 11 | 593230901 | ENSEMBLE DE COUVERCLE DE DÉPART | 1 |
| 12 | 591042401 | ENSEMBLE DE SOUPE | 1 |
| 13 | 591042501 | ENSEMBLE DE CULASSE | 1 |
| 14 | 591042701 | ENSEMBLE DE DÉFLECTEUR D'AIR | 1 |
| 15 | 591042801 | ENSEMBLE DE CORPS DE CARTER DU VILEBREQUIN | 1 |
| 16 | 593231001 | FILTRES À AIR | 1 |
| 17 | 591043201 | ENSEMBLE DE COUVERCLE DE CARTER DU VILEBREQUIN | 1 |
| 18 | 591043301 | FILTRE À HUILE | 1 |
| 19 | 591043401 | ENSEMBLE D'ÉQUILIBRAGE DE L'ARBRE/ARBRE À CAMES | 1 |
| 20 | 593104101 | ENSEMBLE DE LEVIER D'ACCÉLÉRATION AVEC POMPE À CARBURANT | 1 |
| 21 | 591043501 | ENSEMBLE DE LEVIER D'ACCÉLÉRATION SANS AUTANT POMPE À CARBURANT | 1 |
| 22 | 591043801 | ENSEMBLE DE TUBE DE REMPLISSAGE SANS AUTANT POMPE À CARBURANT | 1 |
| 23 | 593146701 | ENSEMBLE DE TUBE DE REMPLISSAGE AVEC POMPE À CARBURANT | 1 |
| 24 | 591043901 | ENSEMBLE DE BRAS DE RÉGULATEUR DE VITESSE | 1 |
| 25 | 591044001 | ENSEMBLE DE BOBINE D'ALLUMAGE | 1 |
| 26 | 591044101 | ENSEMBLE DE RECTIFICATEUR DE TENSION | 1 |
| 27 | 591044201 | ENSEMBLE DE PLAQUE LATÉRALE | 1 |
| 28 | 591044301 | ENSEMBLE DE BOULON | 1 |
| 29 | 591044501 | RÉGULATEUR | 1 |
| 30 | 591044701 | ENSEMBLE DE MOTEUR DE DÉMARREUR | 1 |
| 31 | 592950701 | ENSEMBLE DE VILEBREQUIN | 1 |
| 32 | 592950801 | ENSEMBLE D'ARMATURE DE CHARGE | 1 |
| 33 | 592950901 | ENSEMBLE DE VOLANT | 1 |
| 34 | 592951001 | ENSEMBLE DE CONTRAINTE D'HUILE | 1 |
| 35 | 593168501 | KIT DE SYSTÈME DE CARBURANT | 1 |
| 36 | 591043101 | ENSEMBLE DE TUBE DE RENIFLARD | 1 |
| 37 | 591044601 | ENSEMBLE D'ARBRE À CAMES | 1 |



www.husqvarna.com