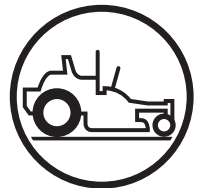




Husqvarna[®]



Parts Manual

MZ54 / 967953702-00

Please read the operator manual carefully
and make sure you understand the instructions
before using the machine.

Gasoline containing a maximum of 10% ethanol (E10)
is permitted for use in this machine.
The use of gasoline with more than 10% ethanol
(E10) will void the product warranty.



When you need spare parts or support in service questions, warranty issues, etc., please consult the following professional:

This manual belongs to the machine with the manufacturing number:	Engine	Transmission

Manufacturing Number

The machine's manufacturing number can be found on the printed plate affixed to the engine compartment.

Stated on the plate, from the top are:

- The machine's type designation (I.D.).
- The manufacturer's type number (Model).
- The machine's serial number (Serial no.)

Please have the type designation and serial number available when ordering spare parts.

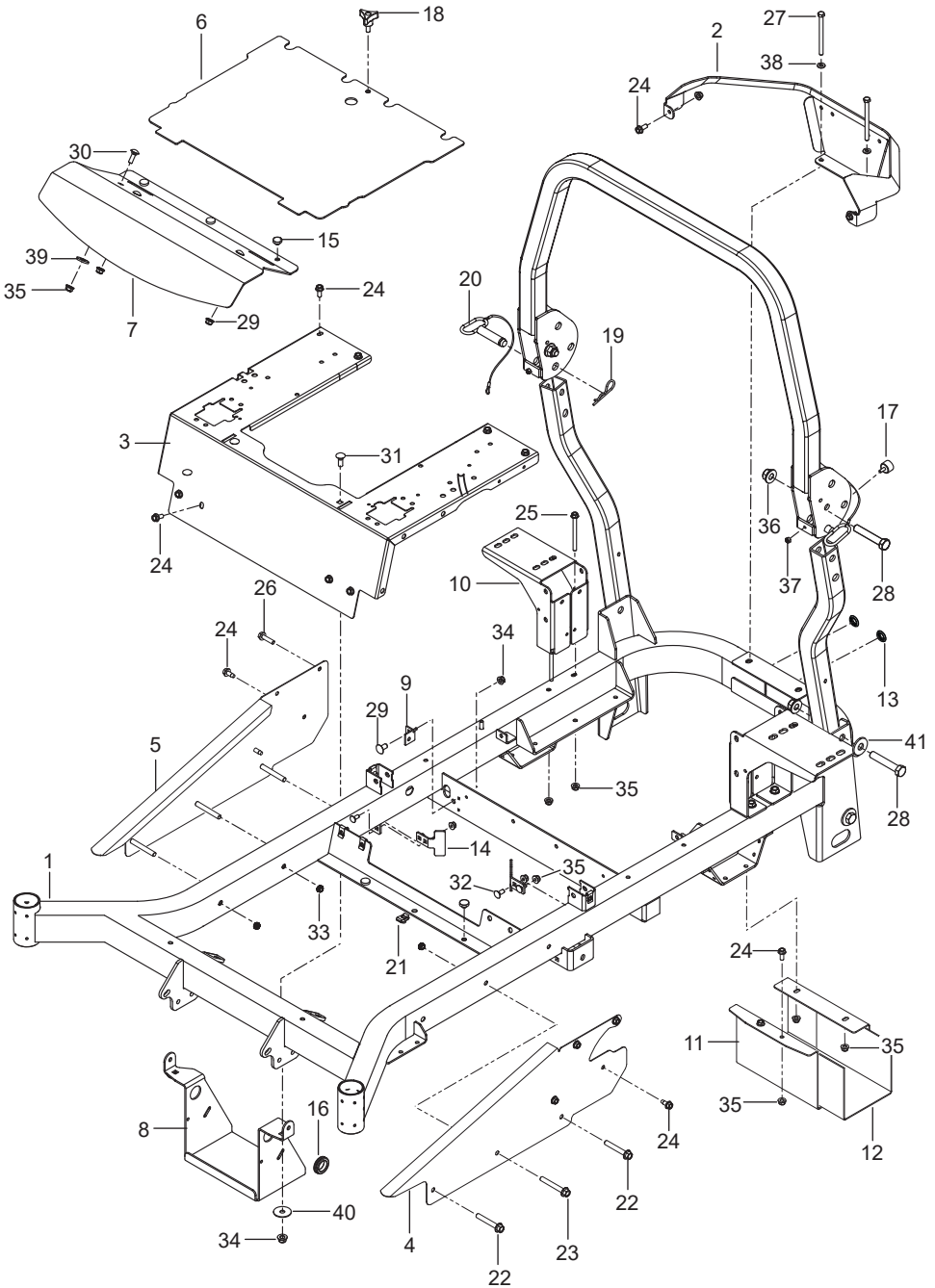
CONTENTS

FRAME	4
ENGINE MOUNTING, GUARDS & MUFFLER	6
STEERING	8
IGNITION SYSTEM.....	10
BRAKE / LIFT	12
HYDRAULIC PUMP-MOTOR.....	14
HYDRAULIC PUMP DRIVE	16
WHEELS & TIRES	18
MOWER LIFT / DECK LIFT.....	20
MOWER DECK / CUTTING DECK	22
SEAT	24
DECALS	26

Illustrations may or may not represent the actual assemblies and it is not recommended to use this manual as a guide to assemble or disassemble the mower.

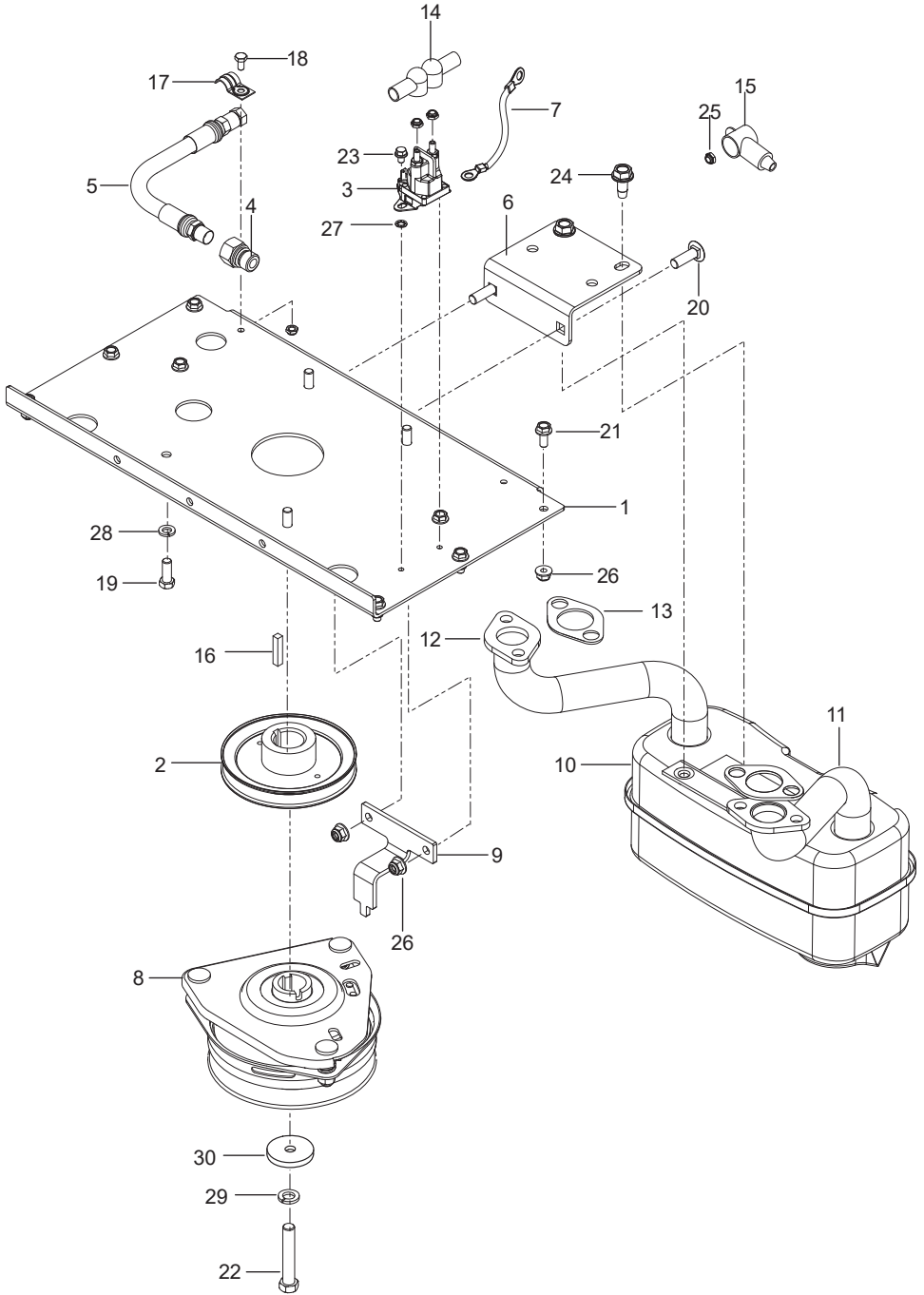
NOTE: All fasteners are Grade 5 unless otherwise specified.

FRAME



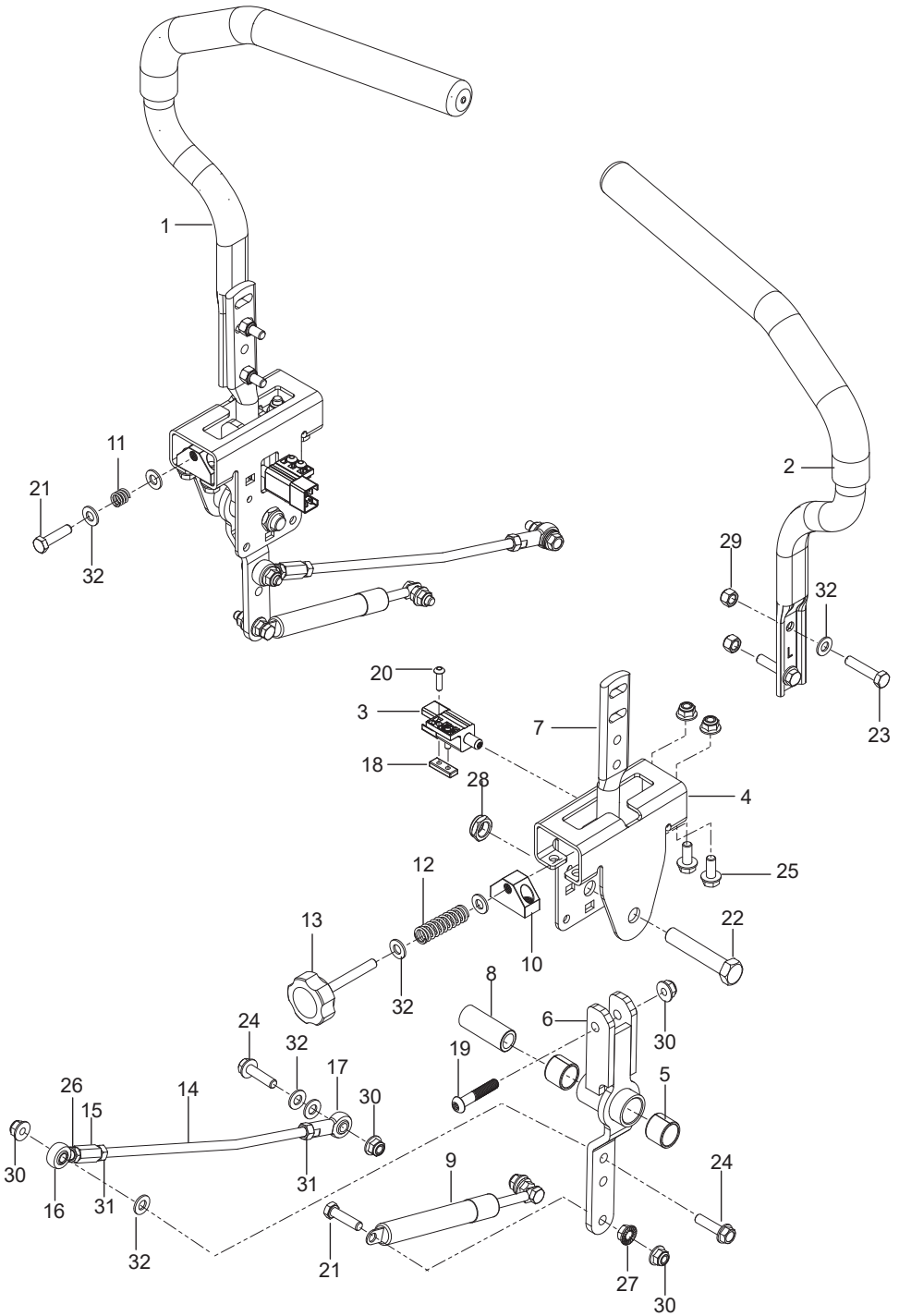
Ref.	Part No.	Qty	Description	Kit / Assy Includes
1	501 65 60-01	1	Frame w/ Safety Decals Org	
2	586 89 30-02	1	Guard, Rear Gry	
3	586 86 77-02	1	Support, Seat Org	
4	539 13 15-76	1	Side, Left Blk	
5	539 13 15-78	1	Side, Right Blk	
6	539 13 27-44	1	Plate w/ Safety Decal	
7	539 13 23-80	1	Plate, Footrest Org	
8	594 03 74-02	1	Bracket, Battery Blk	
9	575 24 52-02	2	Bracket, Dampener	
10	575 53 36-02	2	Mount, Tank Blk	
11	575 23 04-02	1	Shield, Muffler Blk	
12	539 13 28-59	1	Shield, Heat	
13	587 99 05-01	2	Plug, Frame	
14	505 25 64-01	2	Stop, Deck	
15	539 10 25-87	7	Grommet, Bumper	
16	539 10 59-74	1	Grommet, Rubber	
17	539 10 47-63	2	Bumper, w/Stud 1/4-20	
18	539 10 44-11	1	Knob w/ Stud	
19	539 20 07-15	2	Pin 2-15/16 Hair	
20	574 38 80-01	2	Pin, ROPS	
21	539 10 47-63	1	Retainer, U Type 5/16-18	
22	539 13 30-06	2	Bolt 3/8-16 x 2 1/2 Hex Flange Head	
23	874 49 06-44	2	Bolt 3/8-16 x 2-3/4 Hex Flange Head	
24	874 49 05-12	18	Bolt 5/16-18 x 3/4 Hex Flange Head	
25	874 49 05-60	4	Bolt 5/16-18 x 3-3/4 Hex Flange Head	
26	525 54 40-01	1	Bolt 5/16-18 x 1-1/4 Hex Flange Head	
27	539 10 23-35	2	Bolt 5/16-18 x 4 Hex Head	
28	580 75 46-01	6	Bolt 5/8-11 x 1/2 Hex Head	
29	872 05 06-06	2	Bolt 3/8-16 x 3/4 Round Head Square Neck	
30	539 99 02-08	3	Bolt 5/16-18 x 1 Round Head Square Neck	
31	539 99 06-45	2	Bolt 3/8-16 x 1 Round Head Square Neck	
32	539 99 03-16	4	Bolt 5/16-18 x 3/4 Round Head Square Neck	
33	539 20 02-82	6	Nut 3/8-16 Hex Jam Nyloc	
34	521 99 65-01	4	Nut 3/8-16 Hex Flange Nyloc	
35	539 11 28-99	11	Nut 5/16-18 Hex Flange Nyloc	
36	525 82 91-01	6	Nut 5/8-11 Hex Flange Nyloc	
37	539 97 69-78	2	Nut 1/4 x 20 Hex Nyloc	
38	819 11 11-16	2	Washer 5/16 SAE Flat Thick	
39	539 99 02-50	1	Washer	
40	819 13 24-16	2	Washer 16 Gauge Flat	
41	539 10 26-53	4	Washer 5/8 STd Flat	
	Not Shown			
	575 62 37-01	1	Kit ROPS, Assy	

ENGINE MOUNTING, GUARDS & MUFFLER



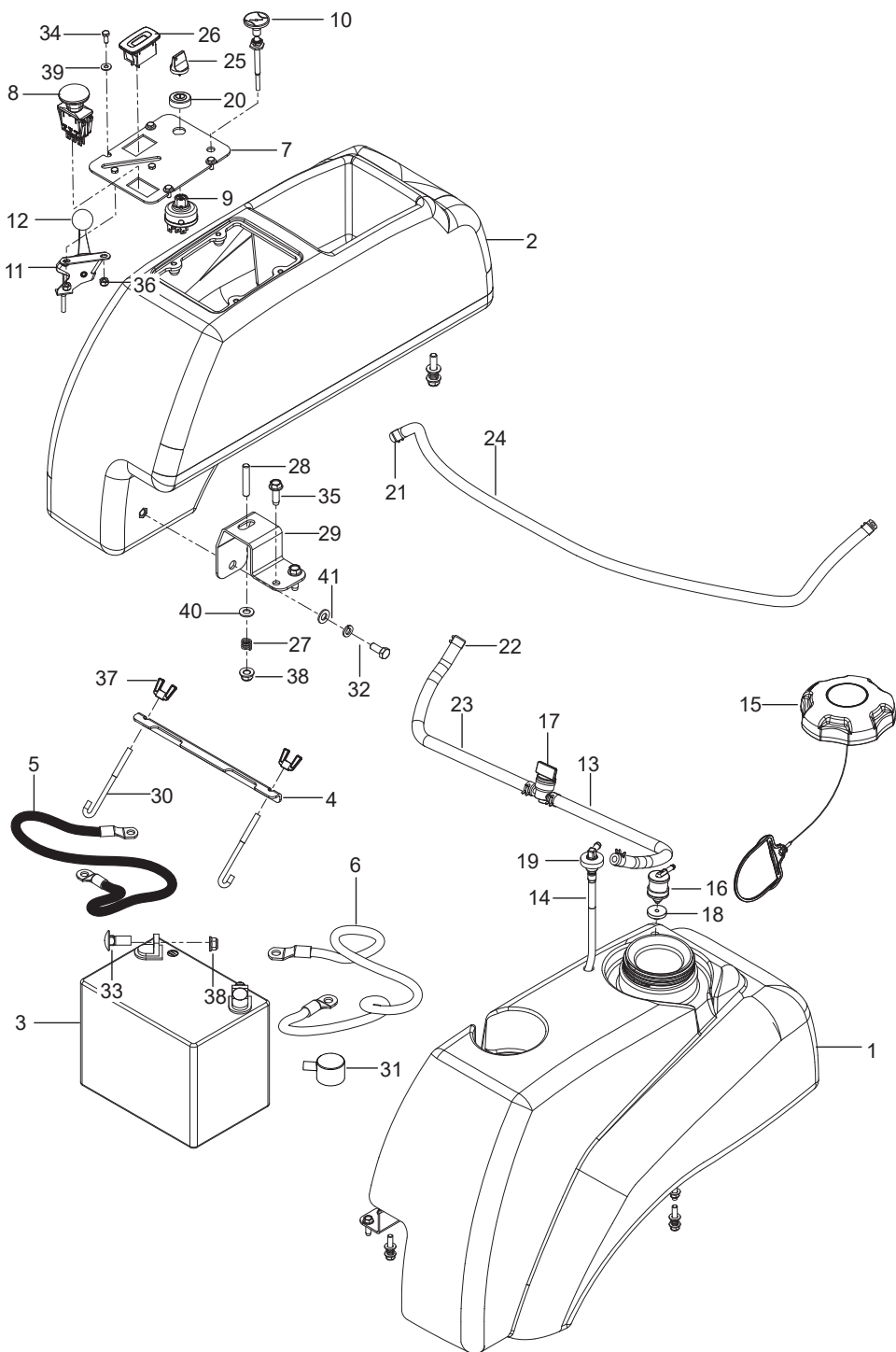
Ref.	Part No.	Qty	Description	Kit / Assy Includes
1	586 65 14-02	1	Plate, Engine, Blk	
2	585 81 37-01	1	Pulley, Drive	
3	582 04 28 01	1	Solenoid	
4	522 59 90-01	1	Adapter, Oil Drain	
5	584 82 55-01	1	Assy, Drain Hose	
6	575 22 99-02	1	Bracket, Muffler	
7	539 10 27-57	1	Cable, Positive	
8	532 17 93-35	1	Clutch	
9	585 81 36-02	1	Stop, Clutch Blk	
10	539 13 16-04	1	Muffler	
11	583 95 56-01	1	Exhaust Tube, LT	
12	583 95 57-01	1	Exhaust Tube, RT	
13	586 83 97-01	2	Gasket, Muffler	
14	532 13 15-63	2	Insulator	
15	539 10 27-59	1	Insulator	
16	539 91 27-57	1	Key 1/4 Sq x 1-1/4	
17	539 10 13-63	1	Clamp	
18	539 99 00-71	1	Bolt 1/4-20 x 1/2 Hex Hd	
19	539 99 05-63	4	Bolt 3/8-16 x 1 Hex Hd	
20	539 10 72-71	2	Bolt 5/16-18 x 1 Round Hd Square Neck	
21	874 49 05-12	8	Bolt 5/16-18 x 3/4 Hex Flange Hd	
22	581 33 28-02	1	Bolt 7/16-20 x 2-1/2 Hex Hd	
23	539 99 03-02	1	Screw 1/4-20 x 3/8 Thread Form	
24	817 49 05-12	2	Screw 5/16-18 x 3/4 THDROL	
25	539 10 81-20	4	Nut 1/4-20 Hex Thin	
26	539 11 28-99	10	Nut 5/16-18 Hex Flange Nyloc	
27	539 99 00-53	1	Washer 1/4 Internal Tooth Lock	
28	539 99 01-18	4	Washer 3/8 Split Lock	
29	539 99 02-47	1	Washer 7/16 Slotted	
30	539 10 65-04	1	Washer, Harden	
Not Shown				
	532 19 83-16	1	Pigtail	
	-----		Engine, Kawasaki 24 Hp For Engine replacement parts, See Kawasaki dealer	

STEERING



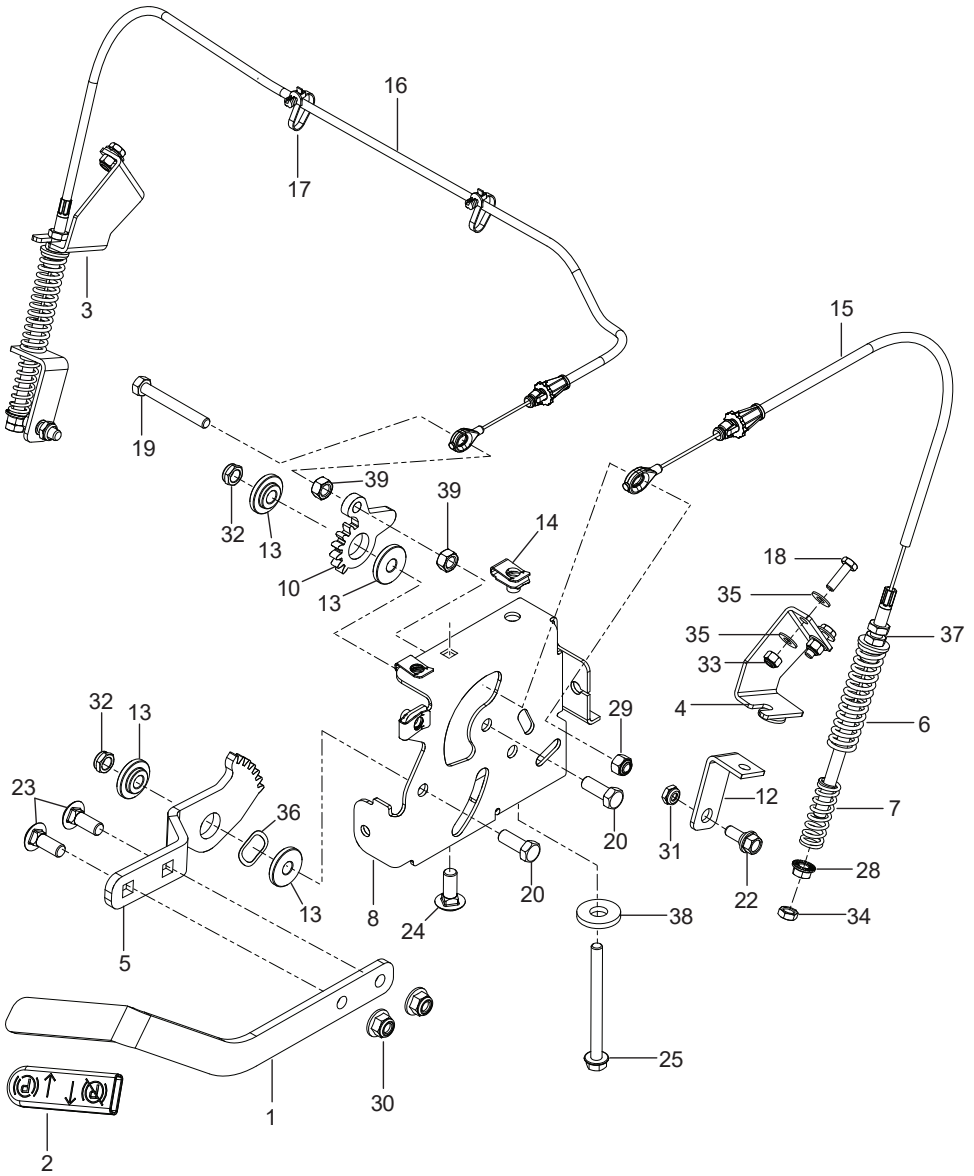
Ref.	Part No.	Qty	Description	Kit / Assy Includes
1	590 09 08-03	1	Lever w/ Grip Right Blk	
2	590 09 08-04	1	Lever w/ Grip Left Blk	
3	532 10 95-53	2	Switch, Interlock	
4	585 12 47-05	2	Bracket, Control	
5	532 43 82-82	4	Bearing	
6	587 18 77 01	2	Lever, Control	
7	577 42 00-01	2	Lever, Handle	
8	584 92 72-01	2	Spacer, Pivot Control	
9	539 10 27-20	2	Dampener	
10	581 43 75-01	2	Block, Tracking	
11	539 10 28-45	1	Spring	
12	576 85 03-01	1	Spring	
13	539 13 17-99	1	Knob	
14	574 81 14-01	2	Rod, Motion Control	
15	539 11 66-89	2	Coupler, Rod End	
16	588 69 25 02	2	Rod End Left	
17	579 76 46-01	2	Rod End Right	
18	581 22 30-01	2	Plate, Nut	
19	576 85 04-02	2	Screw 5/16-18 x 1-3/4 Button Hd	
20	574 82 27-01	4	Screw #10-24 x 3/4 Socket Hd	
21	874 78 05-20	5	Bolt 5/16-18 x 1-1/4 Hex Hd	
22	874 78 08 44	2	Bolt 1/2-13 x 2-3/4 Hex Hd	
23	539 97 69-35	4	Bolt 5/16-18 x 1-1/2 Hex Hd	
24	525 54 40-01	4	Bolt 5/16-18 x 1-1/4 Tap	
25	874 49 05 12	8	Bolt 5/16-18 x 3/4 Hex Flange Hd	
26	539 99 10-73	2	Nut 15/16-24 Hex Jam Nyloc	
27	539 99 05-85	4	Nut 5/16-18 Hex Whiz Lock	
28	539 10 80-10	2	Nut 1/2-13 Hex Jam Nyloc Grade 2	
29	539 99 07-17	4	Nut 5/16-18 Hex Nyloc	
30	539 11 28-99	10	Nut 5/16-18 Hex Flange Nyloc	
31	539 99 02-23	4	Nut 15/16-24 Hex	
32	819 11 11-16	14	Washer 5/16 SAE Flat	

IGNITION SYSTEM



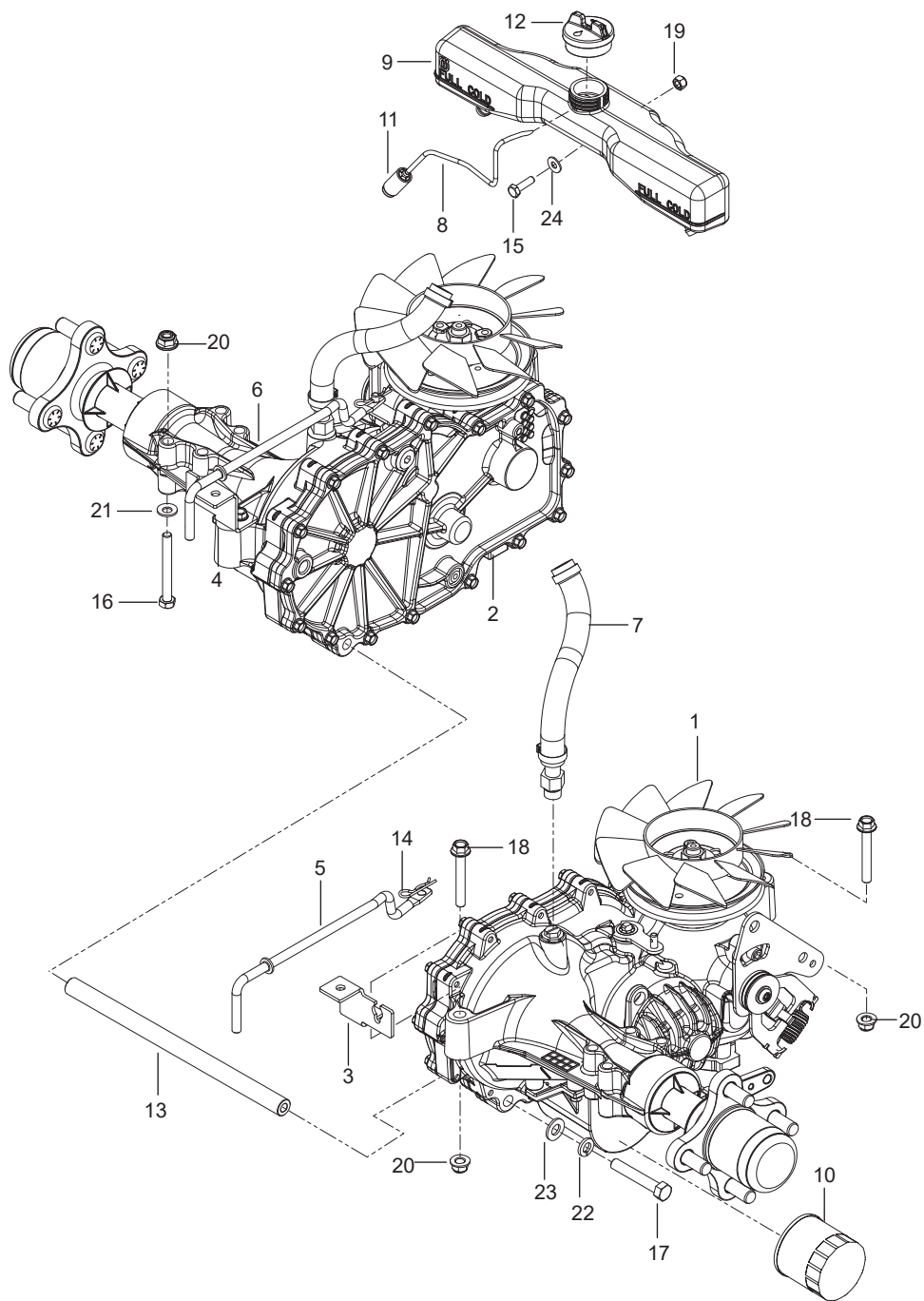
Ref.	Part No.	Qty	Description	Kit / Assy Includes
1	585 72 23-04	1	Assembly, Tank Left Gry	14, 15, 16, 18, 19
2	539 10 75-93	1	Console, Right Gry	
3	539 10 24-63	1	Battery	
4	593 63 44-02	1	Bracket, Battery Mount	
5	588 03 08-01	1	Cable, Battery Neg Blk	
6	588 03 07-01	1	Cable, Battery Pos Red	
7	592 87 74-02	1	Plate, Console, Blk	
8	582 10 76-02	1	Switch, Blade Switch	
9	574 45 54-01	1	Switch, Ignition w/ Washer, Nut	
10	539 11 24-39	1	Control, Choke	
11	539 11 24-38	1	Control, Throttle	
12	539 13 30-49	1	Knob	
13	586 12 39-03	1	Assembly, Fuel Hose	17, 22, 23
14	576 46 92-01	1	Fitting, Fuel	
15	575 01 81-01	1	Fuel Cap w /Tether	
16	576 61 81-01	1	Valve, Fuel Check	
17	539 91 63-25	1	Valve, Fuel Shut Off	
18	584 64 82-01	1	Grommet, Check Valve	
19	539 10 52-45	1	Grommet, Rubber	
20	539 10 31-78	1	Nutcap, Switch	
21	575 43 65-01	2	Clamp 3/16"Hose	
22	532 12 34-87	4	Clamp 1/4" Hose	
23	587 04 48-10	2	Hose 1/4" Fuel	
24	587 04 45-27	1	Hose 3/16" Vapor	
25	574 45 55-01	1	Key	
26	586 16 18-01	1	Meter, Service	
27	539 10 28-45	6	Spring	
28	539 10 25-02	6	Stud, Tank	
29	588 84 32-02	2	Support, Tank Blk	
30	510 06 40-01	2	Hook, J	
31	532 43 53-95	1	Cover, Terminal	
32	539 97 69-34	2	Bolt 5/16-18 x 3/4 Hex Head	
33	539 99 03-16	2	Bolt 5/16-18 x 3/4 Round Head Square Neck	
34	539 99 04-11	6	Screw #10-24 x 1/2 Slotted Hex Head	
35	817 49 05-16	3	Screw 5/16-18 x 1 Washer Head	
36	539 97 69-77	2	Nut #10-24 Hex Nylon Ring	
37	539 99 09-97	2	Nut 1/4-20 Wing Nut Nyloc	
38	539 11 28-99	13	Nut 5/16-18 Hex Flange Nyloc	
39	819 07 08-18	4	Washer 1/2 18 Gauge	
40	819 11 11-16	8	Washer 5/16 SAE Flat	
41	539 99 01-87	2	Washer, Slotted Lock	
Not Shown				
	585 99 97-02	1	Harness, Wiring	

BRAKE / LIFT



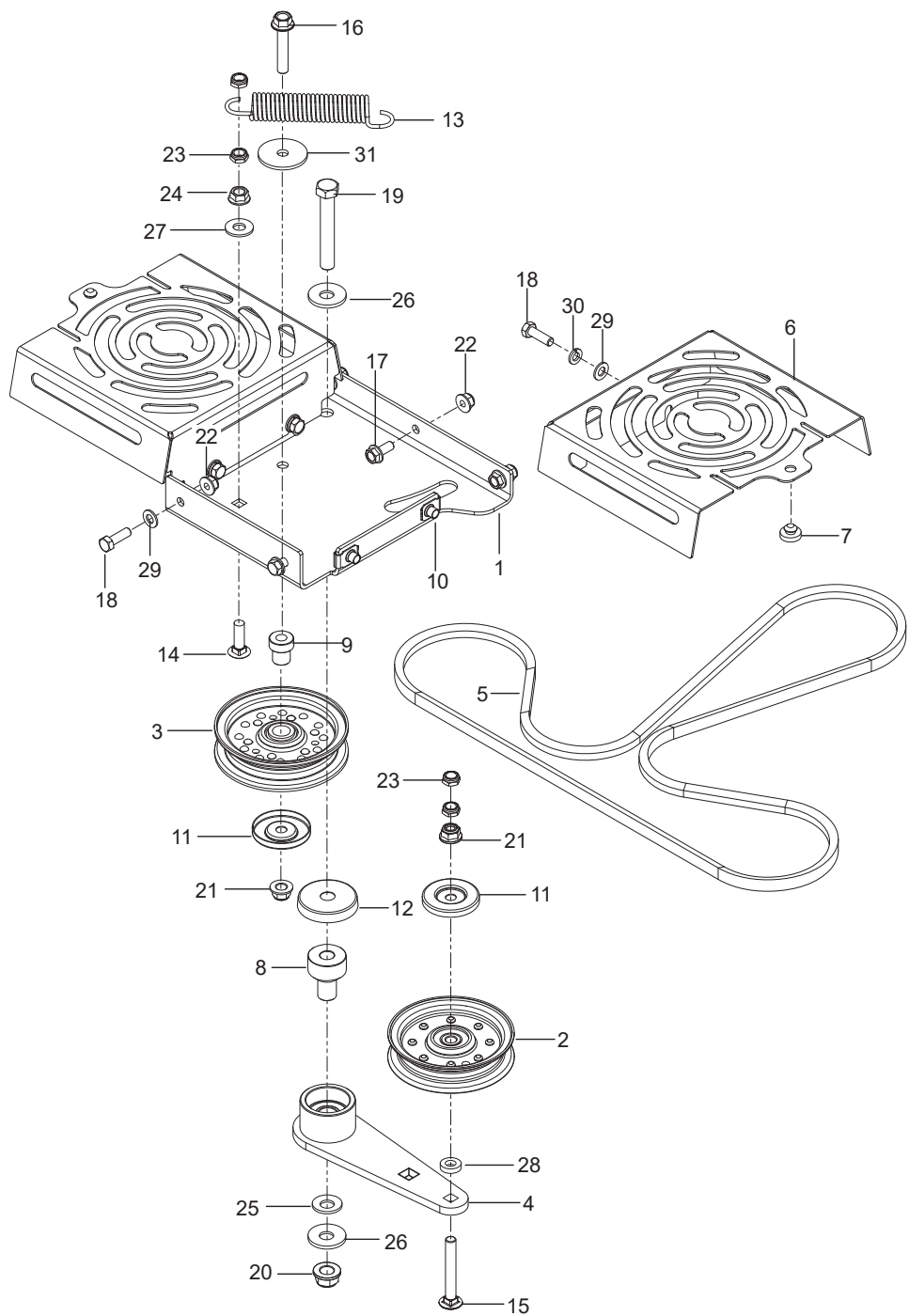
Ref.	Part No.	Qty	Description	Kit / Assy Includes
1	593 56 40-02	1	Arm, Brake	
2	539 10 50-36	1	Grip, Brake Handle	
3	593 27 92-02	1	Bracket, Right Blk	
4	593 27 99-02	1	Bracket, Left Blk	
5	590 33 77-01	1	Gear Input Park Brake	
6	575 23 02-01	2	Spring, Return	
7	575 23 03-01	2	Spring, Engagement	
8	590 63 15-02	1	Mount, Brake	
10	590 20 45-01	1	Gear Output Park Brake	
12	575 22 98-02	2	Bracket, Brake	
13	539 13 21-61	4	Bushing, Brake	
14	539 10 47-63	3	Retainer, U Type 5/16-18	
15	582 12 18-01	1	Cable, Brake Short	
16	582 12 20 01	2	Cable, Brake Long	
17	505 28 00-01	2	Tie Wrap w/ Clip	
18	539 99 06-43	4	Bolt 1/4-20 x 7/8 Hex Hd	
19	539 10 83-96	1	Bolt 5/16-18 x 2-1/2 Hex Hd Tap	
20	539 99 05-63	2	Bolt 3/8-16 x 1 Hex Hd	
22	539 11 03-03	2	Bolt 5/16 Shoulder	
23	539 99 06-45	2	Bolt 3/8-16 x 1 Round Hd Square Neck	
24	539 99 03-16	1	Bolt 5/16-18 x 3/4	
25	539 13 17-80	1	Bolt 5/16-18 x 3-3/4 Hex Flange Hd	
26	874 49 05-12	1	Bolt 5/16-18 x 3/4 Hex Flange Hd	
28	539 99 05-85	5	Nut 5/16-18 Hex Whiz Lock	
29	539 99 07-17	1	Nut 5/16-18 Hex Nyloc	
30	521 99 65-01	2	Nut 3/8-16 Hex Flange Nyloc	
31	539 11 56-17	2	Nut 5/16 Hex Nyloc	
32	539 20 02-82	2	Nut 3/8-16 Hex Jam Nyloc	
33	539 97 69-78	4	Nut 1/4-20 Hex Nyloc	
34	539 10 78-97	2	Nut 5/16-18 Hex Jam	
35	539 99 00-55	8	Washer 1/4 SAE Flat	
36	539 13 30-07	1	Washer, Wave	
37	539 99 01-22	2	Washer 3/8 SAE	
38	819 18 22-12	1	Washer 1/2 Flat	
39	539 99 01-96	2	Nut 5/16-18 Hex ZD	
Not Shown				
	532 19 78-02	1	Switch, Brake	

HYDRAULIC PUMP-MOTOR



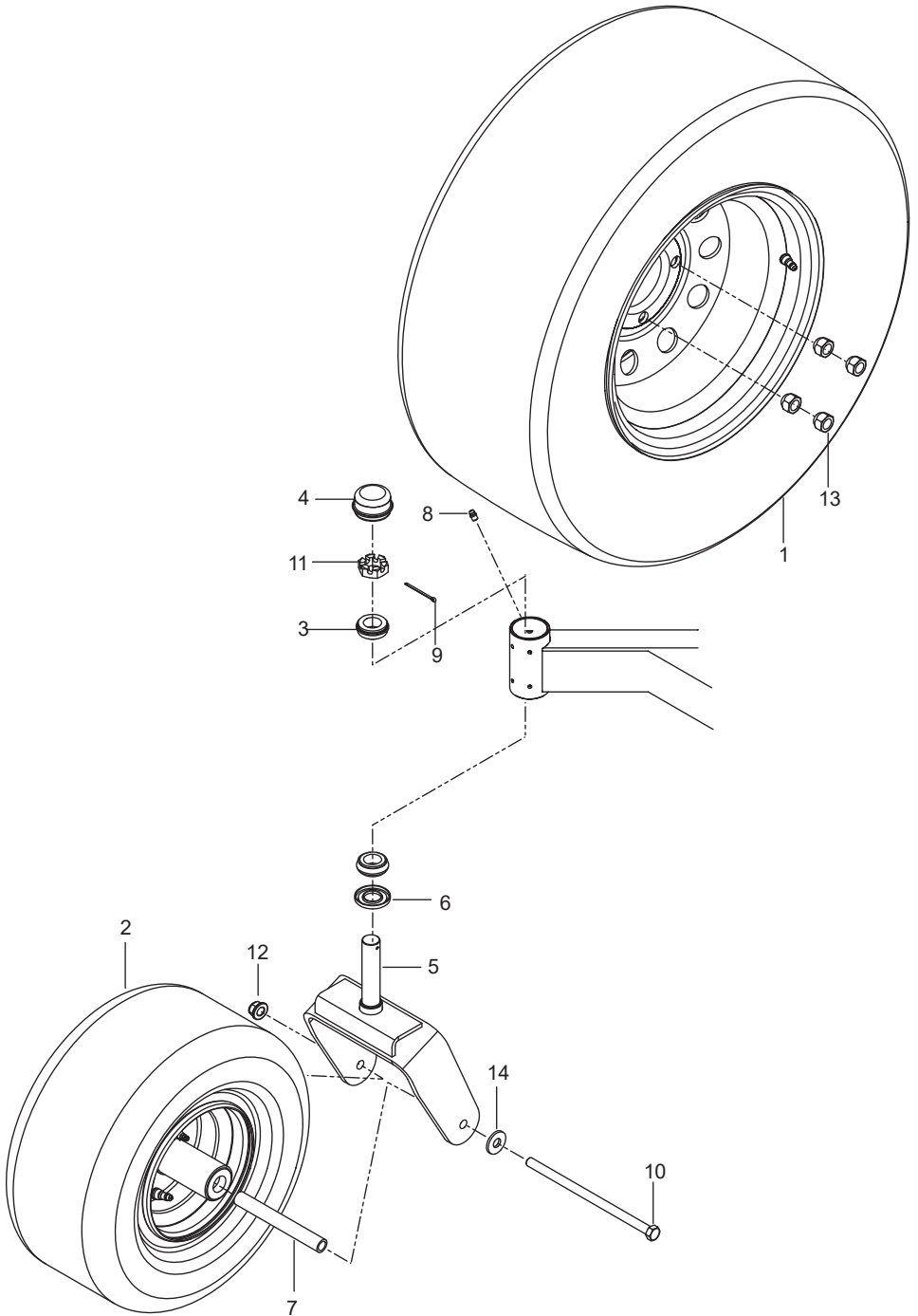
Ref.	Part No.	Qty	Description	Kit / Assy Includes
1	577 22 77-01	1	Trans, ZT-3100, Right	
2	577 22 77-02	1	Trans, ZT-3100, Left	
3	593 27 89-02	1	Bracket, Trans, Right	
4	593 27 90-02	1	Bracket, Trans, Left	
5	539 13 16-16	1	Linkage, Bypass Left	
6	539 13 16-18	1	Linkage, Bypass Right	
7	574 89 21-01	2	Hose, Expansion	
8	586 06 75-01	1	Hose, Fuel	
9	585 31 82-01	1	Assy, Expansion Tank	8, 11, 12
10	539 11 34-66	2	Filter, Hydro	
11	530 09 56-46	1	Filter	
12	586 07 27-01	1	Cap, Tank	
13	574 86 85-01	1	Tube, Spacer	
14	539 97 69-88	2	Pin	
15	539 99 06-43	1	Bolt 1/4-20 x 7/8 Hex Hd	
16	874 78 05-44	4	Bolt 5/16-18 x 2-3/4 Hex Hd	
17	539 10 85-51	2	Bolt 3/8-16 x 2-1/2 Hex Hd Grade 8	
18	574 23 38-01	4	Bolt 5/16-18 x 2-3/4 Hex Flange Hd	
19	539 97 69-78	1	Nut 1/4-20 Hex Nyloc	
20	539 11 28-99	8	Nut 5/16-18 Hex Flange Nyloc	
21	819 11 11-16	4	Washer 5/16 SAE Flat	
22	539 99 01-18	2	Washer 3/8 Split Lock	
23	539 99 01-22	2	Washer 3/8 SAE Flat	
24	539 99 00-55	1	Washer 1/4 SAE Flat	

HYDRAULIC PUMP DRIVE



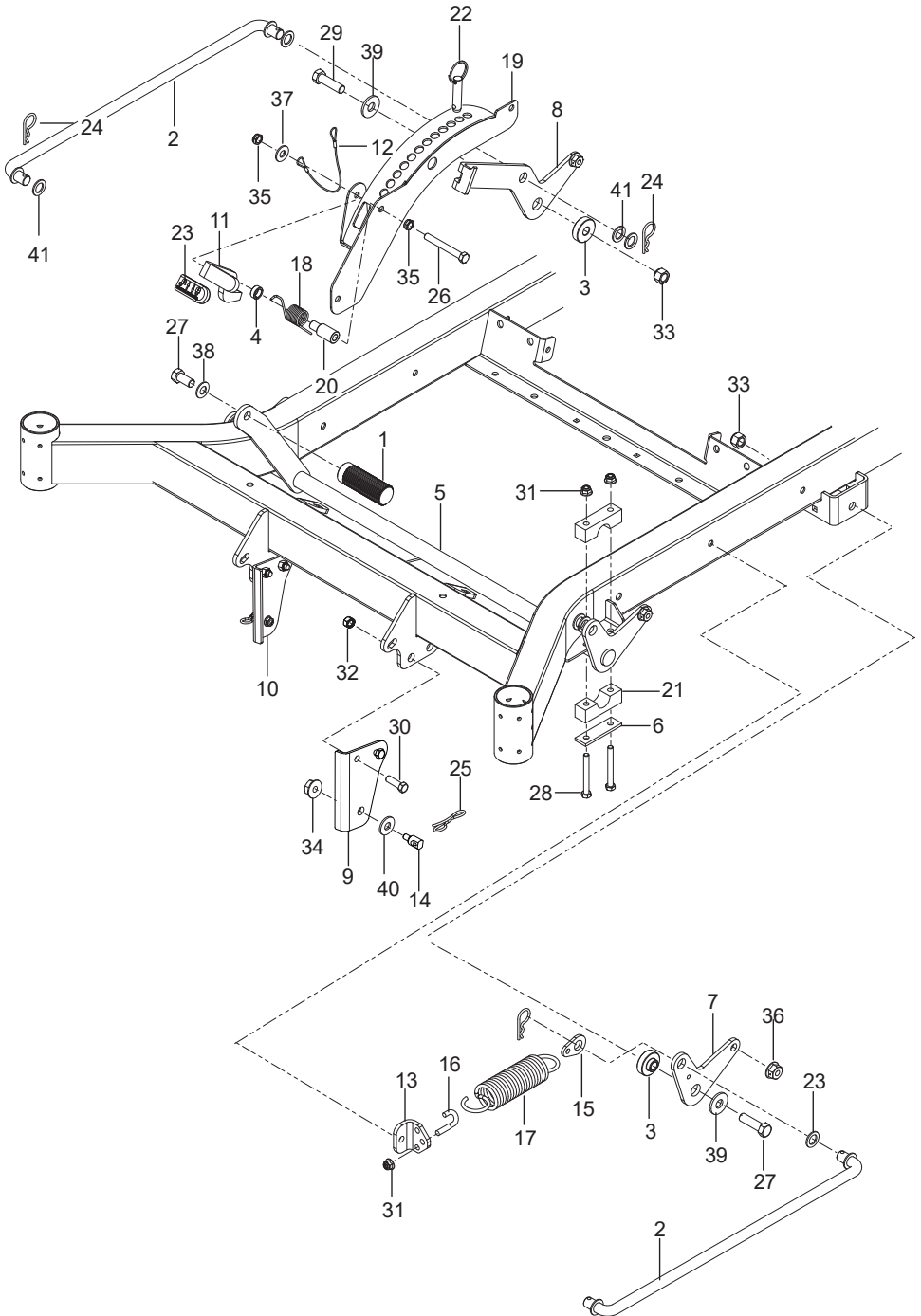
Ref.	Part No.	Qty	Description	Kit / Assy Includes
1	586 67 04-02	1	Plate, Idler Support, Blk	
2	539 97 66-88	1	Pulley, Idler	
3	532 17 58 20	1	Pulley, Idler Secondary	
4	510 04 16-03	1	Arm, Idler w/ Bearings	
5	574 87 09-01	1	Belt	
6	584 99 42-02	2	Cover, Fan	
7	539 10 25-87	2	Grommet, Bumper	
8	510 20 63-01	1	Pivot, Bearing	
9	525 43 56-01	1	Pivot, Idler	
10	539 10 47-63	4	Retainer, U Type 5/16-18	
11	510 25 45-01	2	Shield, Dust	
12	539 11 46-62	1	Shield, Dust	
13	510 25 44-01	1	Spring, Pump	
14	872 14 06-10	1	Bolt 3/8-16 x 1-1/4 Round Hd Square Neck	
15	539 13 02-35	1	Bolt 3/8-16 x 2-3/4 Round Hd Square Neck	
16	874 49 06-32	1	Bolt 3/8-16 x 2 Hex Flange Hd	
17	874 49 05-12	3	Bolt 5/16-18 x 3/4 Hex Flange Hd	
18	539 99 02-09	6	Bolt 5/16-18 x 1 Hex Hd	
19	874 78 08-52	1	Bolt 1/2-13 x 3-1/4 Hex Hd	
20	521 99 11-01	1	Nut 1/2-13 Hex Flange Nyloc	
21	521 99 65-01	2	Nut 3/8-16 Hex Flange Nyloc	
22	539 11 28-99	5	Nut 5/16-18 Hex Flange Nyloc	
23	539 20 02-82	4	Nut 3/8-16 Hex Jam Nyloc	
24	539 99 06-13	1	Nut 3/8-16 Hex Whiz Lock	
25	539 11 55-28	1	Washer 1/2 Belleville	
26	819 18 22-12	2	Washer 1/2 Flat	
27	819 14 16-14	1	Washer 3/8 Flat	
28	539 10 95-62	1	Washer 3/8 x 3/4 Thick	
29	819 11 11-16	6	Washer 5/16 SAE Flat	
30	539 99 01-87	4	Washer 5/16 Slotted Lock	
31	539 11 18-97	1	Washer, Special	

WHEELS & TIRES



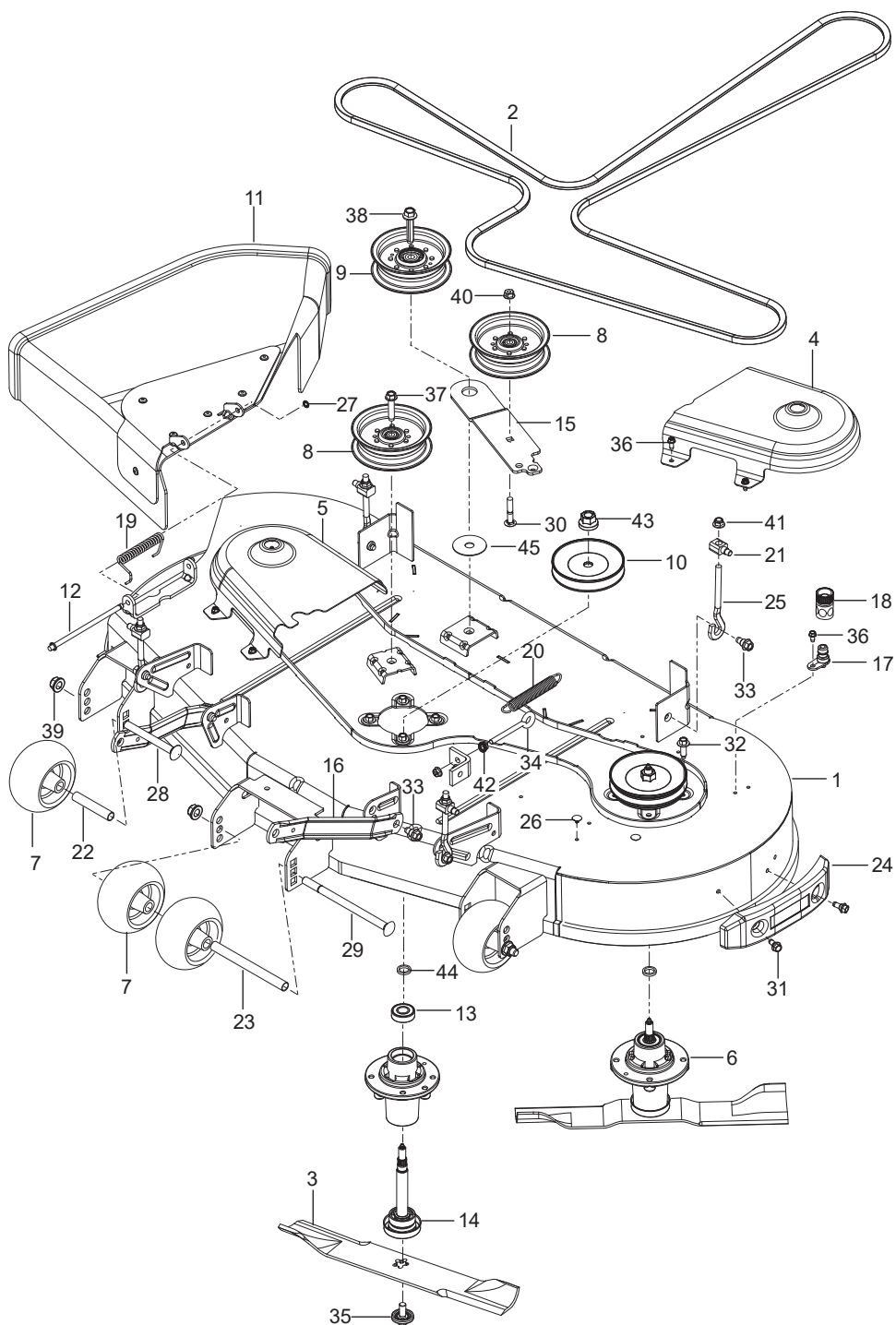
Ref.	Part No.	Qty	Description	Kit / Assy Includes
1	587 71 88-01	2	Wheel Assembly Grade 8 22 x 10 Silver	
	580 74 70-01	2	Tire, 22 x 10-10	
2	581 19 95-01	2	Assembly, Wheel 13 x 6.5-6	
3	539 10 25-43	4	Bearing	
4	539 10 25-35	2	Cap, Grease	
5	586 92 19-02	2	Yoke, Caster Org	
6	539 10 28-51	2	Seal	
7	575 33 49-01	2	Spacer, Pivot	
8	539 10 14-74	2	Zerk	
9	539 10 28-89	2	Pin 1/8 x 2 Cotter	
10	539 10 55-17	2	Bolt 1/2-13 x 9-1/2 Hex Hd	
11	539 10 28-52	2	Nut 1-14 Slotted Jam	
12	521 99 11-01	2	Nut 1/2-13 Hex Flange Nyloc	
13	587 65 39-02	8	Nut 1/2-20 Lug Grade 8	
14	819 18 22-12	2	Washer 1/2 Flat	

MOWER LIFT / DECK LIFT



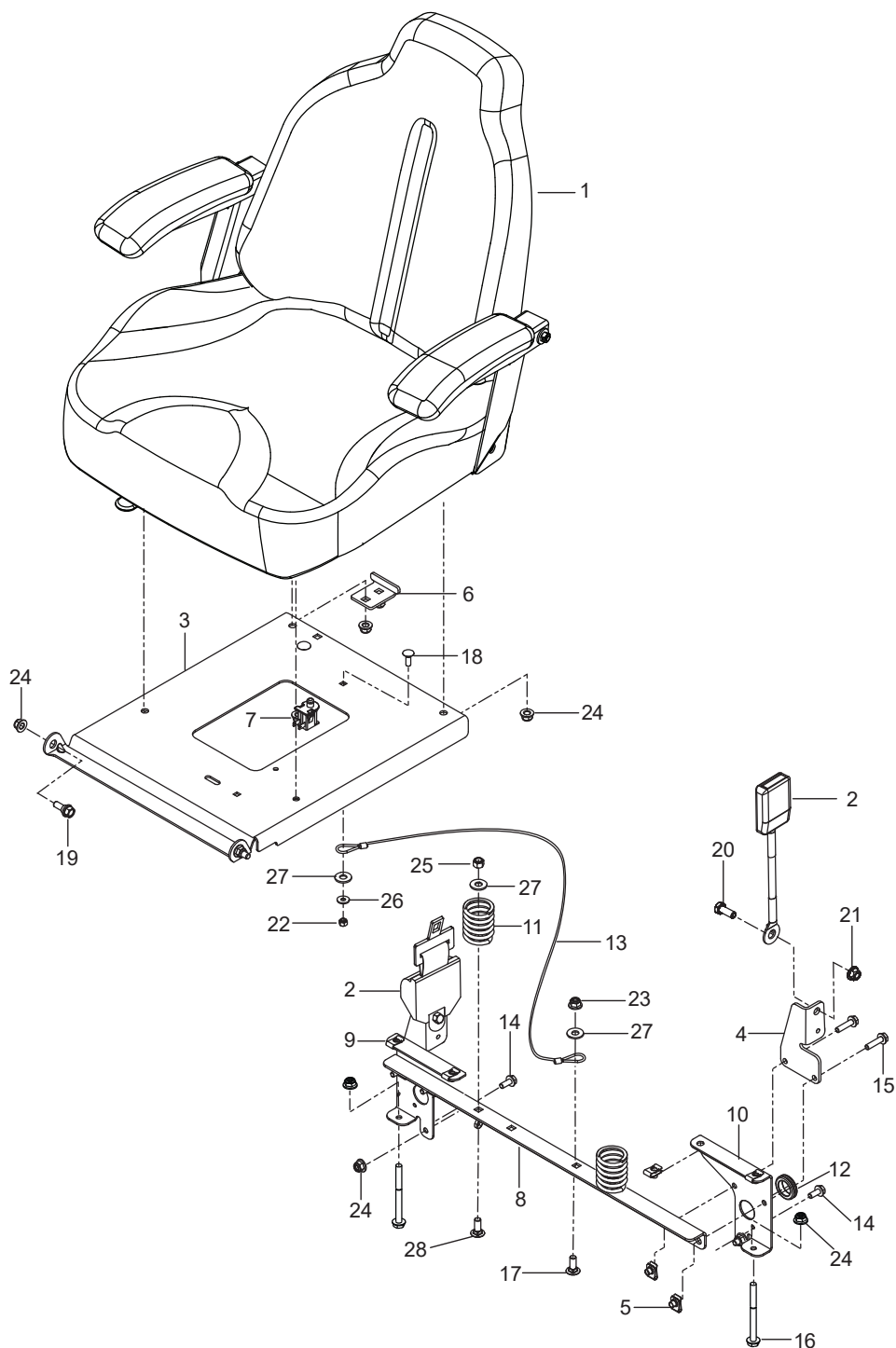
Ref.	Part No.	Qty	Description	Kit / Assy Includes
1	510 40 83-01	1	Pedal, Foot	
2	539 11 08-08	2	Link, Deck Lift	
3	586 70 17-01	2	Spacer, Idler	
4	539 13 18-61	1	Spacer	
5	586 92 87-02	1	Shaft, Front Lift Blk	
6	584 39 27-02	2	Plate, Reinforcement	
7	539 13 15-43	1	Bellcrank, Rear, Lift Blk	
8	592 87 77-02	1	Bellcrank, Rear, Right Blk	
9	588 81 21-02	1	Bracket, Suspension Left	
10	588 81 20-02	1	Bracket, Suspension Right	
11	539 13 15-66	1	Latch, Transport	
12	539 10 50-59	1	Lanyard	
13	593 66 36-02	1	Mount, Spring	
14	532 19 51-61	4	Stud w/ Anti-Rotate	
15	593 66 38-02	1	Tab, Spring	
16	539 11 28-96	1	J-Bolt	
17	539 10 26-42	1	Spring	
18	539 13 27-34	1	Spring, Torsion	
19	539 13 18-50	1	Height Adjust, Deck	
20	539 13 18-60	1	Pivot Latch, Transport	
21	539 10 48-08	4	Pillow Block	
22	539 13 21-82	1	Pin 1/2 x 1-1/2 Detent Ring	
23	539 13 28-51	1	Grip	
24	539 11 55-01	4	Pin 1-3/4 Cotter	
25	532 19 42-09	2	Pin 7/16 Cotter Bowtie	
26	874 78 06-48	1	Bolt 3/8-16 x 3 Hex Head	
27	539 99 06-46	1	Bolt 1/2-13 x 1 Hex Head	
28	874 78 05-44	4	Bolt 5/16-18 x 2-3/4 Hex Head	
29	539 10 81-81	2	Bolt 1/2-13 x 1-3/4 Hex Head Grade 8	
30	539 99 05-63	4	Bolt 3/8-16 x 1 Hex Head	
31	539 11 28-99	5	Nut 5/16-18 Hex Flange Nyloc	
32	539 97 69-79	4	Nut 3/8-16 Hex Nyloc	
33	873 80 08-00	2	Nut 1/2-13 Hex Nyloc	
34	873 90 05-00	2	Nut 5/16-18 Hex Flange Lock	
35	539 20 02-82	2	Nut 3/8-16 Hex Jam Nyloc	
36	873 90 06-00	4	Nut 3/8-16 Hex Flange Lock	
37	819 14 16-14	1	Washer 3/8 Flat	
38	539 11 55-28	1	Washer 7/16 Spring	
39	539 10 95-54	2	Washer 1/2 Flat	
40	819 19 19-12	2	Washer	
41	819 21 16-16	10	Washer 21/32 x 1 x 16 Ga	

MOWER DECK / CUTTING DECK



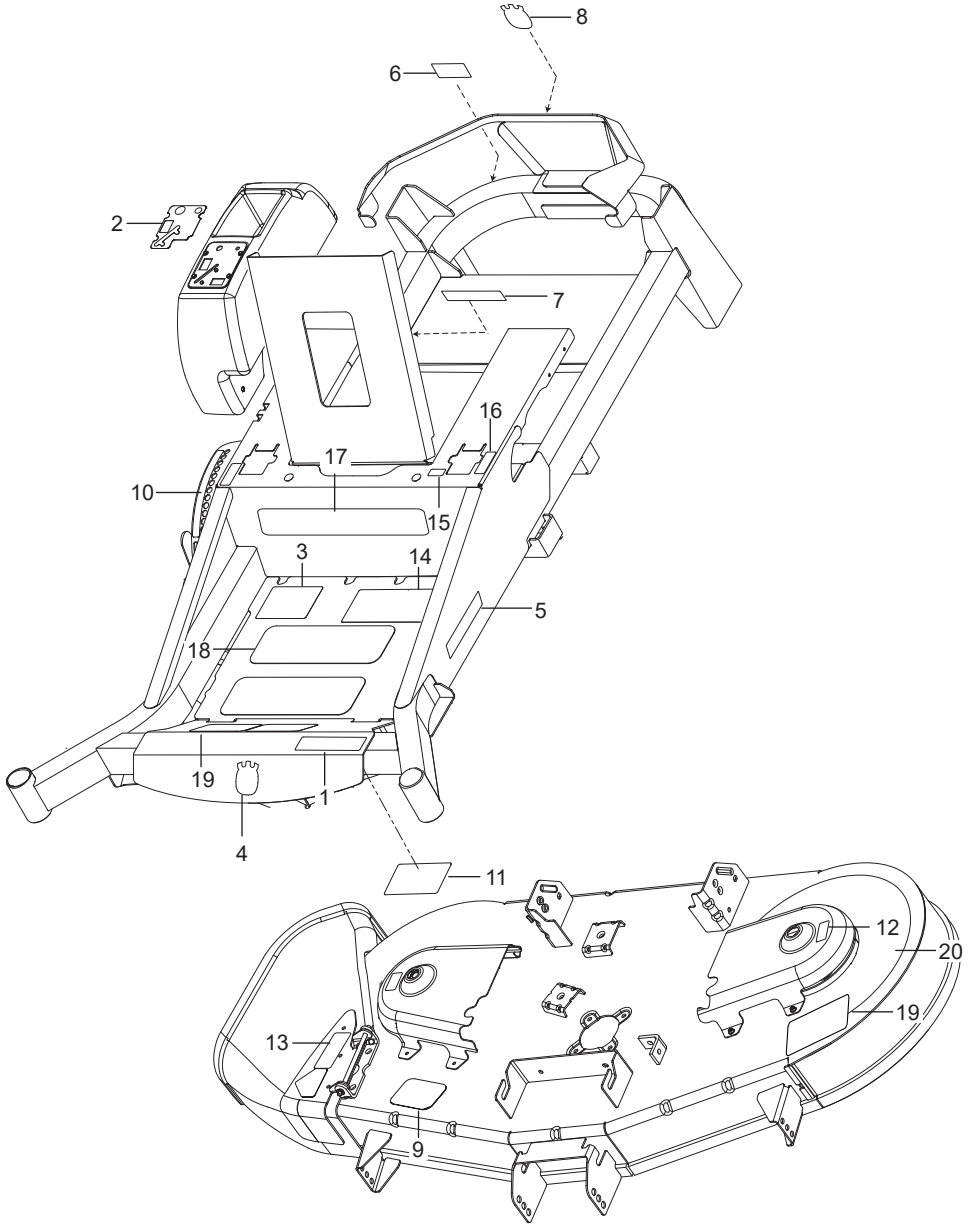
Ref.	Part No.	Qty	Description	Kit / Assy Includes
1	582 77 32-02	1	Deck Org	
2	582 23 65-01	1	Belt 54" Deck	
3	582 06 25-01	3	Blade, Hi-lift	
4	590 30 44-03	1	Belt Shield, Left Gry	
5	590 30 42-03	1	Belt Shield, Right Gry	
6	539 13 18-98	3	Mandrel, Cast Iron	
7	574 16 96-01	4	Wheel, Gauge	
8	532 19 73-79	2	Pulley Idler	
9	532 19 73-80	1	Pulley Idler	
10	532 17 57-08	3	Pulley, Mandrel	
11	590 63 22-01	1	Deflector 54" Org	
12	532 13 14-91	1	Rod, Hinge	
13	532 11 04-85	1	Bearing	
14	532 18 72-91	1	Shaft	
15	582 21 96-02	1	Arm, Idler	
16	587 14 05-02	2	Arm, Suspension	
17	532 41 55-98	1	Port, Washout	
18	532 41 64-05	1	Coupling, Quick Connect	
19	587 35 47-01	1	Spring, Deflector	
20	532 19 72-51	1	Spring, Extension	
21	532 17 62-05	4	Trunnion	
22	574 19 64-01	2	Tube, Roller Axle	
23	574 19 65-01	1	Tube, Roller Axle Long	
24	590 73 25-01	1	Bumper	
25	588 78 33-01	4	Link	
26	589 81-33-01	3	Plug, Hole Blk	
27	532 11 04-52	1	Pushnut	
28	510 02 23-01	2	Bolt 1/2-13 x 4-3/4 Round Hd Square Neck	
29	872 14 08-64	1	Bolt 1/2-13 x 8 Round Hd Square Neck	
30	872 11 06-16	1	Bolt 3/8-16 x 2 Round Hd Square Neck	
31	532 17 01-65	2	Bolt 5/16 Shoulder	
32	584 95 39-01	12	Bolt 5/16-18 x 1-1/4 Hex Washer Hd	
33	532 19 65-39	6	Bolt, Shoulder	
34	539 11 55-74	1	Bolt Eye 5/16 x 3-1/2	
35	532 19 30-03	3	Bolt/Washer 7/16-20	
36	532 13 77-29	9	Screw 1/4-20 x 5/8 Thread Roll	
37	817 49 06-28	1	Screw 3/8-16 x 1-3/4 Hex Thread Form	
38	588 43 83-01	1	Screw 7/16-14 x 2-1/8 Washer Hd	
39	521 99 11-01	3	Nut 1/2-13 Hex Flange Nyloc	
40	873 90 06-00	1	Nut 3/8-16 Hex Flange Lock	
41	532 40 02-44	4	Nut 3/8-16 Hex Flange Lock	
42	539 99 05-85	2	Nut 5/16-18 Hex Whizlock	
43	532 40 02-34	3	Nut 9/16 Top Center Lock	
44	532 18 76-90	3	Washer Spacer	
45	532 17 85-15	1	Washer, Flat Hardened	

SEAT



Ref.	Part No.	Qty	Description	Kit / Assy Includes
1	501 58 04-01	1	Assembly, Seat	2
2	539 13 03-59	1	Seat Belt	
3	501 76 21-02	1	Mount, Seat Org	
4	584 91 68-02	1	Mount Seat Belt	
5	539 10 47-63	8	Retainer, U Type	
6	539 13 07-94	1	Spring, Seat Blk	
7	532 42 10-62	1	Switch, Seat	
8	584 80 91-02	1	Support, Seat Blk	
9	584 99 01-02	1	Support, Right Blk	
10	584 99 02-02	1	Support, Left Blk	
11	587 61 33-01	2	Spring Compression Seat	
12	539 10 59-74	1	Grommet Rubber	
13	539 10 32-47	1	Lanyard, Seat	
14	874 49 05-12	2	Bolt 5/16-18 x 3/4 Hex Flange Hd	
15	525 54 40-01	4	Bolt 5/16-18 x 1-1/4 Hex Flange Hd	
16	874 49 05-60	2	Bolt 5/16-18 x 3-3/4 Hex Flange Hd	
17	539 99 06-45	3	Bolt 3/8-16 x 1	
18	539 11 56-20	1	Bolt 1/4-20 x 3/4 Round Hd Square Neck	
19	539 13 08-96	2	Bolt 5/16-18 Shoulder	
20	539 12 47-75	2	Bolt 7/16-20 x 1 Hex Head	
21	539 99 03-94	2	Nut Hex 7/16 F Lock	
22	539 97 69-78	1	Nut 1/4-20 Hex Nyloc	
23	539 97 69-79	2	Nut 3/8-16 Hex Nyloc	
24	539 11 28-99	11	Nut 5/16-18 Hex Flange Nyloc	
25	521 99 65-01	1	Nut 3/8-16 Hex Flange Nyloc	
26	819 09 12-16	1	Washer 1/4 Flat	
27	819 14 16-14	4	Washer 3/8 Std Flat	
28	539 99 06-45	2	RHSNB 3/8-16 x 1 Grade 5	

DECALS



Ref.	Part No.	Qty	Description	Kit / Assy Includes
1	592 91 79-01	1	Decal, MZ 54	
2	574 84 11-03	1	Decal, Console	
3	586 34 25-01	1	Decal, Start	
4	532 42 86-76	2	Decal, Crown H 4"	
5	532 42 91-96	2	Decal, Husqvarna	
6	539 10 57-44	1	Decal, Danger Belt Drive	
7	539 10 57-45	1	Decal, Battery Warning	
8	574 45 50-01	1	Decal, Crown H 6"	
9	591 16 39-01	1	Decal, Belt Routing	
10	539 13 20-39	1	Decal, Height Adjust	
11	539 13 21-87	1	Decal, Service	
12	589 35 79-01	2	Decal, No Step	
13	586 97 88-01	1	Decal, Deflector	
14	590 48 55-01	1	Decal, Warning	
15	585 14 26 01	2	Decal, Tracking	
16	589 28 30-01	2	Decal, Motion Control	
17	591 35 74-01	1	Decal, Logo	
18	539 97 77-78	2	Pad, Abrasive Large	
19	539 12 13-22	3	Pad, Abrasive Small	
20	593 80 88-01	1	Decal, 54 Deck Clearcut	



www.husqvarna.com

2018-09-27 CL