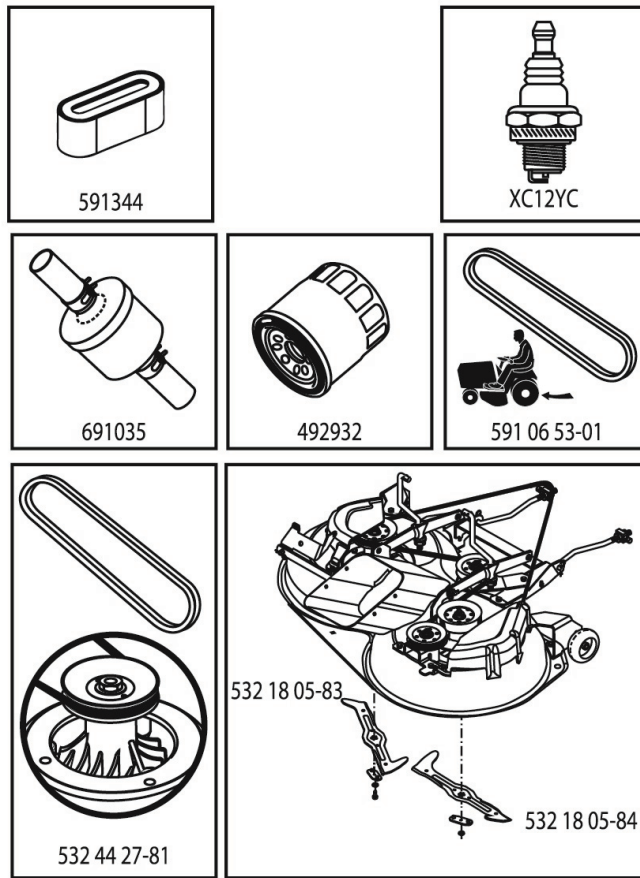


ILLUSTRATED PARTS LIST

MFG. ID NO. 96051018100

CUSTOMER CATALOG NO. TC 142T

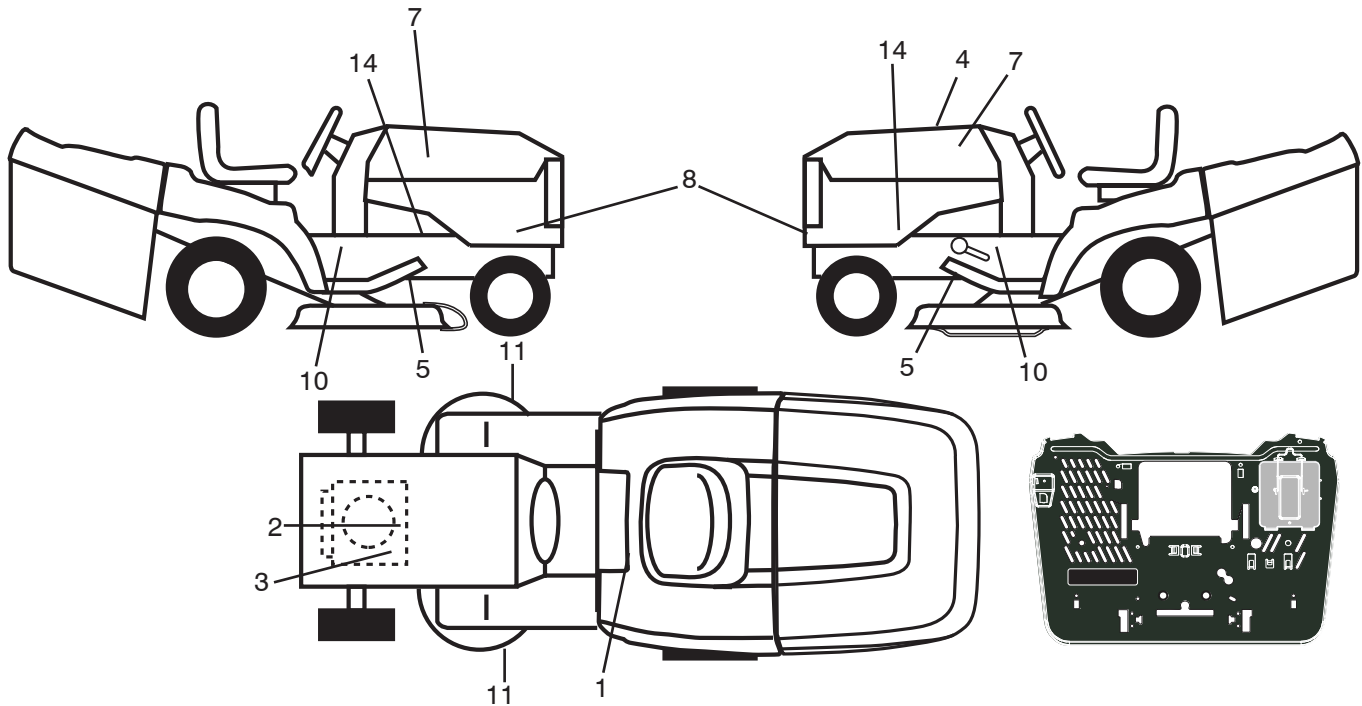
PRODUCT NO. 960 51 01-81



47

596751201

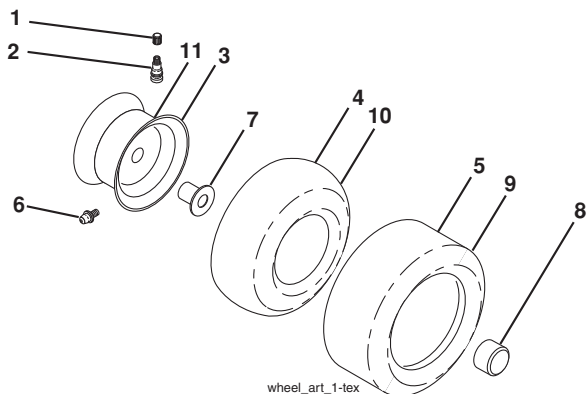
**TRACTOR - MODEL NO. TC 142T (96051018100), PRODUCT NO. 960 51 01-81
DECALS 27**



KEY NO.	PART NO.	DESCRIPTION
1	581 57 83-01	Decal, Warn Combined
2	581 57 97-01	Decal, Warning Eng. Sym.
3	587 38 53-01	Decal, Engine
4	596 75 12-01	Decal, Replacement
5	592 98 02-01	Decal, V Belt Sch
7	501 13 14-01	Decal, Hood
8	589 42 99-01	Decal, Side Panel
10	581 57 98-01	Decal, Warning
11	581 57 91-01	Decal, Mower Cut Finger Symbol

KEY NO.	PART NO.	DESCRIPTION
14	581 57 96-01	Decal, Chassis Hot Muffler
--	532 44 46-19	Decal, Bypass
--	532 44 14-09	Pad Footrest LH
--	532 44 14-10	Pad Footrest RH
--	532 44 54-93	Decal, Backplate Warning
--	114 08 26-20	Manual Operator's (Euro)
--	114 08 27-10	Manual Operator's (Scan)
--	114 08 28-50	Manual Operator's (E-Bloc)
--	114 08 29-40	Manual Operator's (Baltic)

WHEELS AND TIRES



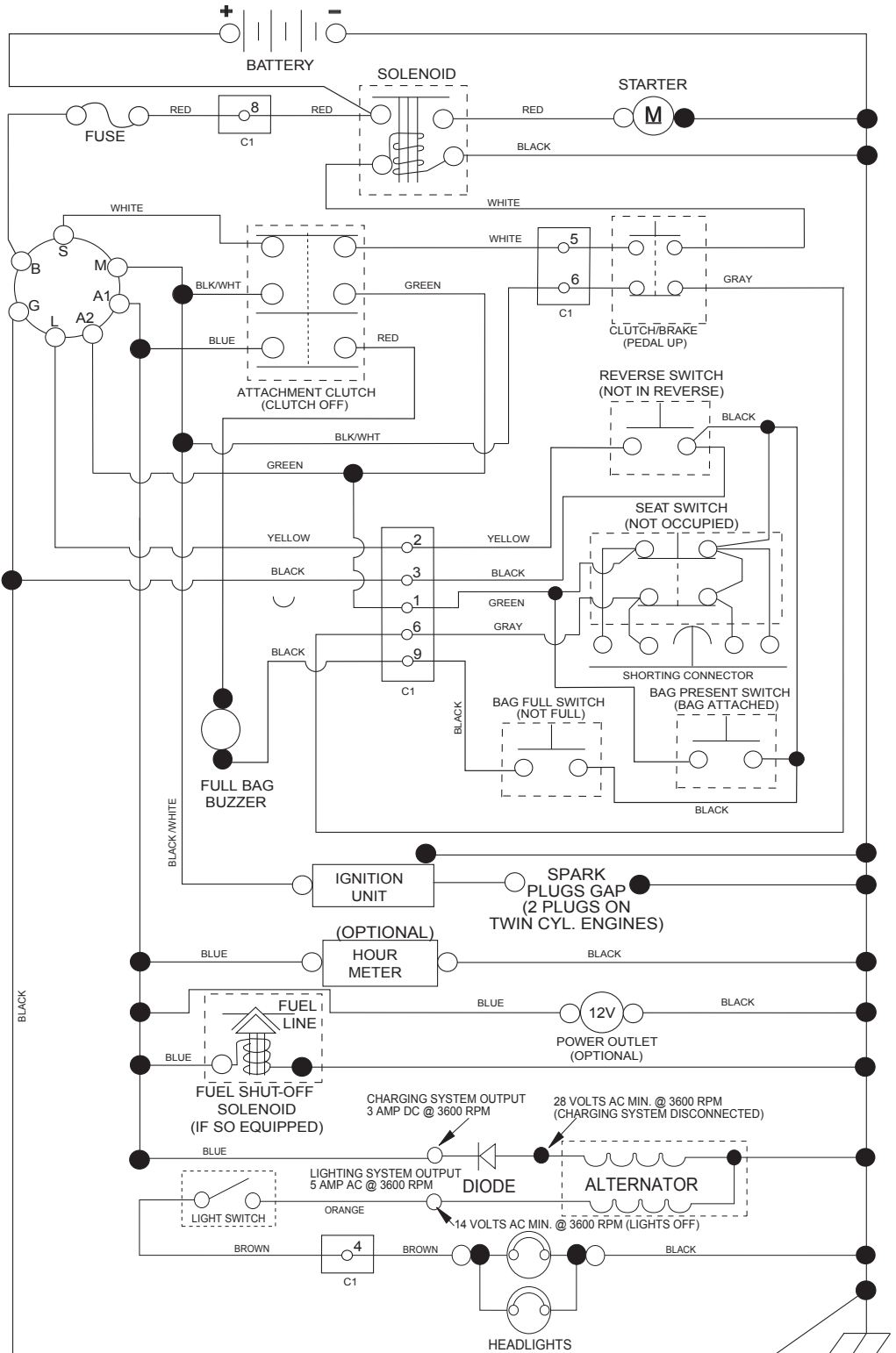
KEY NO.	PART NO.	DESCRIPTION
1	532 05 91-92	Cap Valve Tire
2	532 06 51-39	Stem Valve
3	532 13 83-36	Rim Front
4	532 05 99-04	Tube Front (Service Item Only)
5	532 10 62-22	Tire Front 15 x 6-6
6	532 12 49-57	Fitting Grease (Front Wheel Only)
7	532 12 49-59	Bearing Flange (Front Wheel Only)
8	532 17 50-39	Cap Axle Blk 1 50 x 1 00
9	532 12 46-35	Tire Rear 18 x 8.5-8
10	532 00 71-52	Tube Rear (Service Item Only)
11	532 13 83-37	Rim Asm 8" Rear
--	532 14 43-34	Sealant, Tire (10 oz. Tube)

NOTE: All component dimensions given in U.S. inches
1 inch = 25.4 mm

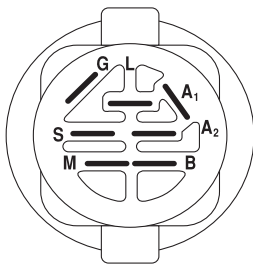
TRACTOR - MODEL NO. TC 142T (96051018100), PRODUCT NO. 960 51 01-81

SCHEMATIC 38

SCH17



NOTE
YOUR TRACTOR IS EQUIPPED WITH A SPECIAL ALTERNATOR SYSTEM. THE LIGHTS ARE NOT CONNECTED TO THE BATTERY, BUT HAVE THEIR OWN ELECTRICAL SOURCE. BECAUSE OF THIS, THE BRIGHTNESS OF THE LIGHTS WILL CHANGE WITH ENGINE SPEED. AT IDLE THE LIGHTS WILL DIM. AS THE ENGINE SPEED IS INCREASED, THE LIGHTS WILL BECOME THEIR BRIGHTEST.

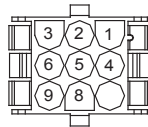


IGNITION SWITCH

POSITION	CIRCUIT	"MAKE"
OFF	M+G+A1	
RUN/OVERRIDE	B+A1	
RUN	B+A1	L+A2
START	B + S + A1	



CHASSIS HARNESS CONNECTOR (C1) (MATING SIDE)



DASH HARNESS CONNECTOR (C1) (MATING SIDE)

WIRING INSULATED CLIPS
NOTE: IF WIRING INSULATED CLIPS WERE REMOVED FOR SERVICING OF UNIT, THEY SHOULD BE RE-INSTALLED TO PROPERLY SECURE YOUR WIRING.

● NON-REMOVABLE CONNECTIONS

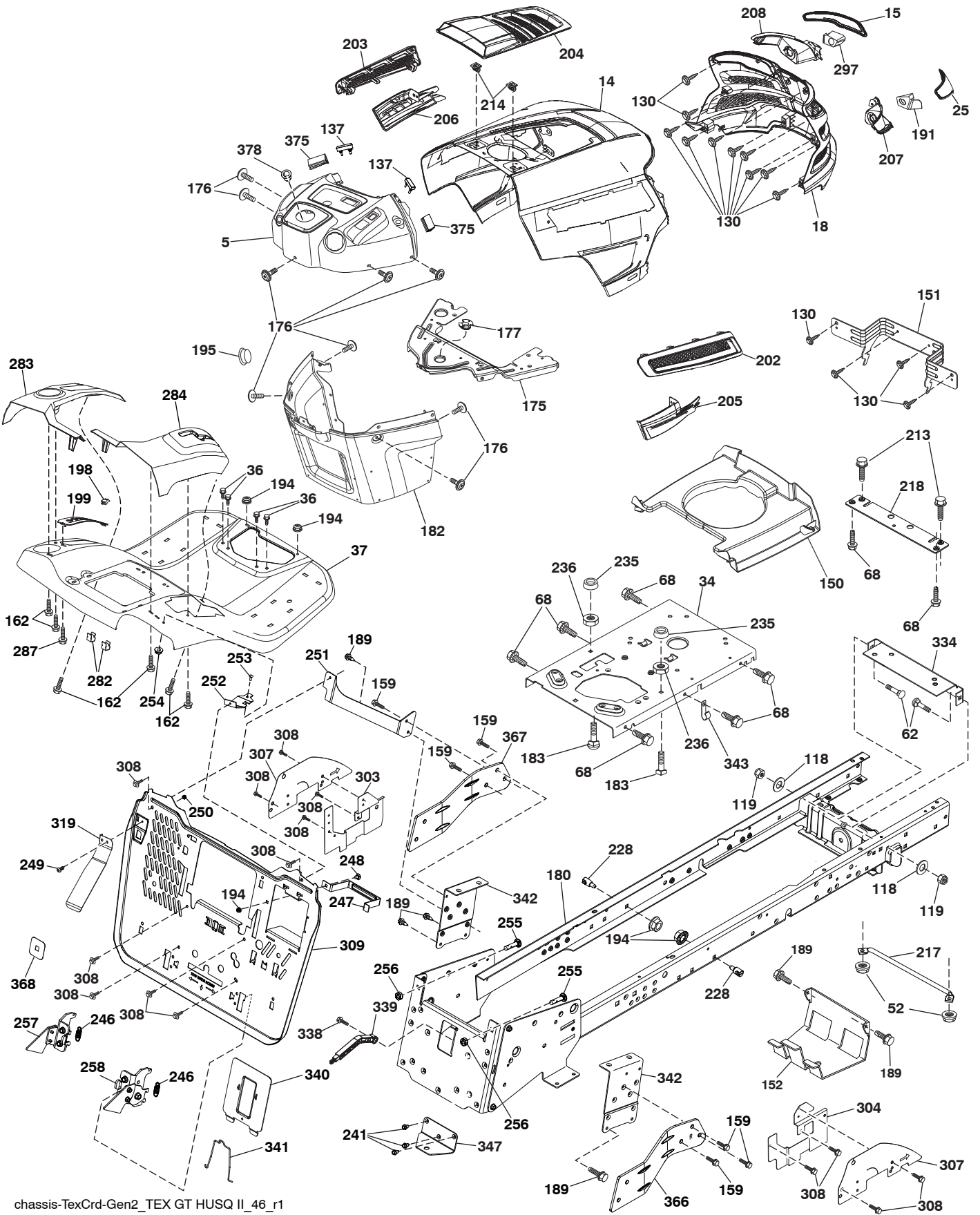
○ REMOVABLE CONNECTIONS

**TRACTOR - MODEL NO. TC 142T (96051018100), PRODUCT NO. 960 51 01-81
ELECTRICAL 32**

KEY NO.	PART NO.	DESCRIPTION
1	532 43 71-57	Battery
2	532 44 09-23	Screw Hex Hd Cap M6 x 1.12mm
16	532 17 61-38	Switch Interlock Push-In
21	532 40 02-52	Harness Light w/4152J
22	532 00 41-52	Bulb Light
25	589 32 37-01	Cable Starter
26	532 17 51-58	Fuse
27	873 51 04-00	Nut Keps Hex 1/4-20 unc
28	589 32 36-01	Cable, Ground
29	532 40 15-45	Switch, Seat
30	532 19 33-50	Switch, Ign
33	532 41 19-35	Key/Chain
34	532 11 07-12	Switch Light/Reset
40	585 84 99-01	Harness Ign. Dash
42	532 13 15-63	Cover Terminal Red
43	582 04 28-01	Solenoid
46	586 16 18-01	Gauge SRVCMNOR
55	817 06 05-12	Screw Thdrol 5/16-18 x 3/4 TYTT
71	587 26 87-01	Harness Ignition Chassis
79	532 17 52-42	Socket Asm. Bulb
83	532 43 67-74	Nut Square M6 x 1.8.5 x 11mm
87	532 42 10-60	Switch
99	817 00 05-12	Screw 5/16-18 x 3/4
102	532 44 12-62	Harness Jumper
105	532 40 75-68	Switch Reverse
107	532 18 03-79	Switch Full Bagger
108	589 50 03-01	Switch Snapmount

NOTE: All component dimensions given in U.S. inches
1 inch = 25.4 mm

TRACTOR - MODEL NO. TC 142T (96051018100), PRODUCT NO. 960 51 01-81
CHASSIS AND ENCLOSURES 39



chassis-TeXCrd-Gen2_TEX GT HUSQ II_46_r1

**TRACTOR - MODEL NO. TC 142T (96051018100), PRODUCT NO. 960 51 01-81
CHASSIS AND ENCLOSURES 39**

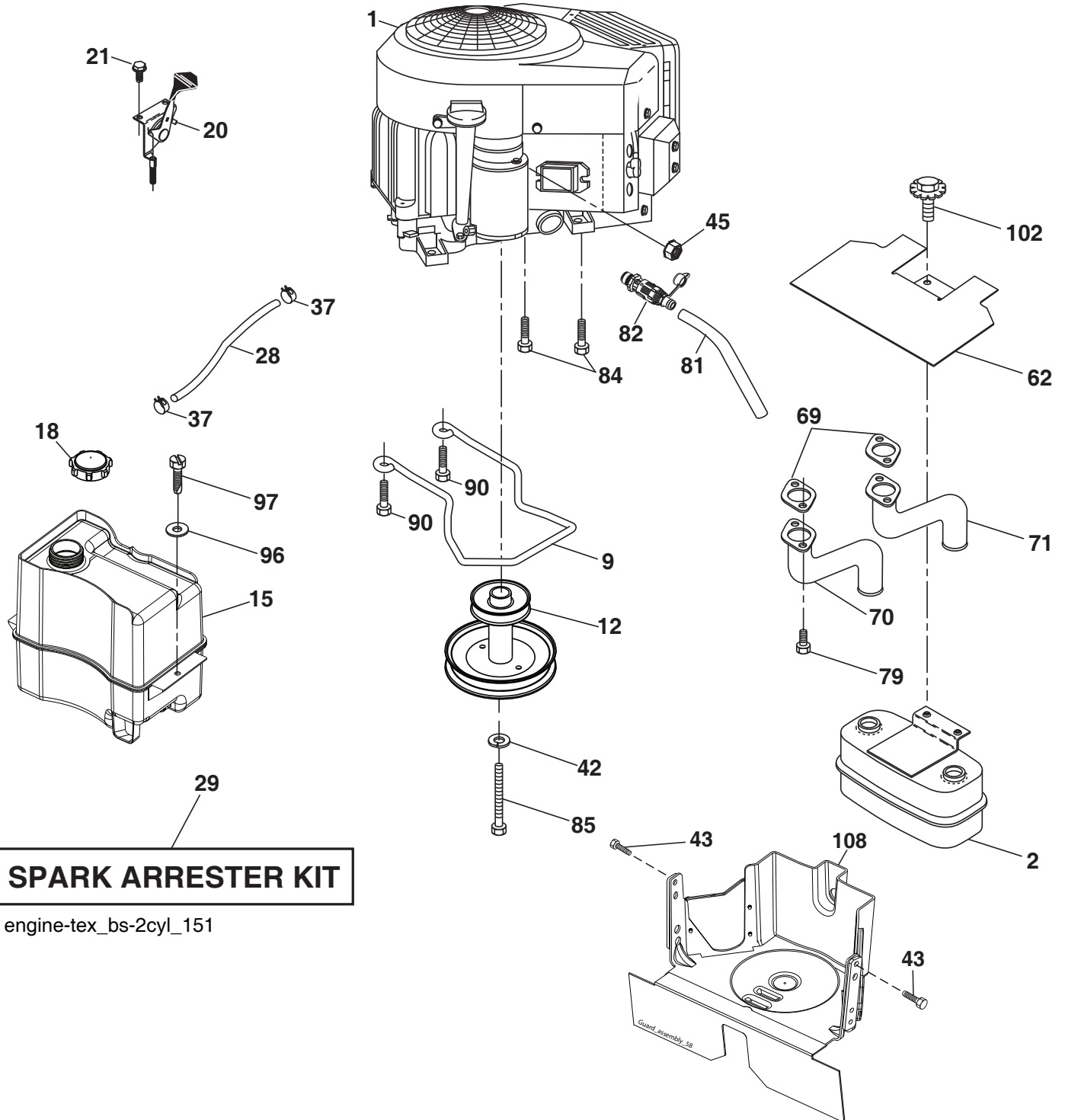
KEY NO.	PART NO.	DESCRIPTION	KEY NO.	PART NO.	DESCRIPTION
5	590 74 88-23	Dash	253	539 11 56-20	Bolt 1/4-20 x 3/4
14	532 44 11-77	Hood	254	873 90 04-00	Nut Lock Hex Flange 1/4-20
15	532 43 97-33	Lens LH	255	589 39 22-02	Bolt Cross Drilled 3/8-16 x 1.75
18	584 43 97-02	Grille	256	532 19 70-33	Nut Jam 3/8-16
25	532 44 33-85	Lens RH	257	589 74 66-02	Bagger Latch Assembly LH
34	580 91 09-01	Plate Engine	258	589 74 67-02	Bagger Latch Assembly RH
36	817 06 05-12	Screw 5/16-18 x 3/4	282	532 41 41-10	Clip Retainer
37	532 44 13-69	Fender	283	532 44 72-12	Console Deck Lift LH
52	873 68 05-00	Nut Lock 5/16-18	284	532 44 72-20	Console Shft RH
62	872 11 06-08	Bolt RdHd Sqnk 3/8-16 x 1 Gr. 5	287	817 60 04-06	Screw 1/4-20 x 3/8
68	539 99 08-58	Screw Thdrol 5/16-18 x 1/2	297	532 43 74-56	Insert Reflective LH
118	819 13 13-16	Washer 13/32 x 13/16 x 16 Ga.	303	589 00 76-02	Shield Lwr LH
119	873 68 06-00	Nut Crownlock 3/8-16 unc	304	589 00 68-02	Shield Lwr RH
130	532 41 63-58	Screw #10 x 0.750	307	587 49 45-01	Shield Upper French
137	532 40 75-90	Bumper Dash	308	532 17 18-77	Bolt 5/16-18 unc x 3/4 w/Sems
150	532 43 97-74	Air Duct	309	582 55 25-02	Backplate
151	532 43 66-70	Bracket Pivot	319	581 31 39-07	Lever Bag
152	532 19 95-35	Shield Browning	334	532 44 25-37	Bracket Engine
159	817 00 06-12	Screw Hexwsh Trdr 3/8-16 x 3/4	338	532 43 66-40	Bolt Shoulder
162	532 14 24-32	Screw	339	532 43 66-41	Lever Bagger Full
175	590 60 77-02	Crossmember	340	582 55 27-02	Battery Door
176	532 40 07-76	Screw 10-24 x 5/8	341	582 06 08-01	Battery Door Latch
177	532 19 52-28	Bushing Steering	342	582 82 68-02	Supprt Fender
180	593 89 88-01	Chassis	343	532 44 07-49	Clip
182	586 73 86-02	Dash Lower	347	532 44 28-87	Hitch Tow
183	874 52 05-20	Bolt 5/16-18 x 1-1/4	366	581 31 46-02	Bracket RH Front Bagger
189	817 00 05-12	Screw 5/16-18 x 3/4	367	581 31 45-02	Bracket LH Front Bagger
191	532 43 74-55	Insert Reflective RH	368	581 42 48-01	Full Lever Shroud
194	873 90 05-00	Nut Lock Hex Flange 5/16-18	375	586 90 82-01	Dash Clip-On Bumper
195	532 40 41-37	Plug Hole Dash Lower	378	590 84 98-01	Bushing Flange
198	532 44 15-52	Indicator Deck Lift	--	589 45 39-01	Kit ID Box --This kit includes Battery Hardware (532 44 09-23 Screw Hex Head Cap M6 x 1.2mm), 532 43 67-74 Nut Square M6 x 1.8.5 x 11mm; refer to pages 4 & 5 in this IPL, Chassis Parts/Hardware (532 44 28-87 Tow Hitch), (532 43 66-41 Bagger Full Lever); refer to pages 6 & 7 in this IPL, Bagger Parts/Hardware (582 36 48-01 Bagger Latch), Bagger Presence Lever/Hardware (581 31 39-06 Bagger Presence lever), (586 93 60-01 Screw Buttonhead 10-24x1/2), (539 97 69-77 Nut Hex 10-24), (817 00 06-12 Screw Hexwsh Trdr 3/8-16 x 3/4), (872 11 06-08 Bolt Rdhd Sqnk 3/8-16 x 1 Gr. 5), (873 80 06-00 Nut Lock 3/8-16 unc); refer to pages 18 & 19 in this IPL.
199	532 41 87-39	Plate Deck Lift			
202	532 43 97-28	Vent Side Hood RH			
203	532 43 97-27	Vent Side Hood LH			
204	587 48 58-01	Vent Top Hood			
205	532 43 97-30	Skirt Hood Side RH			
206	532 43 97-29	Skirt Hood Side LH			
207	587 46 48-01	Bezel RH			
208	587 46 45-01	Bezel LH			
213	539 97 69-34	Screw 5/16-18 x 3/4			
214	532 19 91-45	Clip Retainer Tinner			
217	532 40 91-67	Rod Pivot			
218	532 19 63-95	X-Piece Hood Stop			
228	532 19 51-61	Stud Fastner			
235	532 40 61-29	Spacer Fender			
236	873 93 05-00	Nut Lock 5/16-18 unc			
241	817 06 05-16	Screw 5/16-18 x 1			
246	591 44 90-01	Bagger Latch Extension Spring			
247	582 55 26-02	Battery Strap			
248	872 11 05-04	Bolt Rdhd Sqnk 5/16-18 x 1/2 Gr. 5			
249	586 93 60-01	Screw Bnhd 10-24 x 1/2 Patched			
250	539 97 69-77	Nut Lock Hx w/ins 10-24 unc			
251	589 31 89-04	LH Backplate Support Bracket			
252	581 99 22-04	RH Backplate Support Bracket			

NOTE: All component dimensions given in U.S. inches
1 inch = 25.4 mm

**TRACTOR - MODEL NO. TC 142T (96051018100), PRODUCT NO. 960 51 01-81
DRIVE **40****

KEY NO.	PART NO.	DESCRIPTION	KEY NO.	PART NO.	DESCRIPTION
1	---	Transaxle, Tufftorq K46DF (446488) (Order parts from trans-axle manufacturer.)	186	532 19 43-21	Spacer Retainer
2	532 12 35-83	Key Square	188	582 21 70-01	Link Clutch
6	532 12 40-28	Bushing Snap	189	532 43 36-11	Bellcrank Ground Drive
17	532 43 62-27	Spring Brake K46	195	580 45 69-01	Bracket Rod Brake CRD Tex
27	817 49 05-28	Screw Hexwsh Thd 5/16-18 x 1-3/4	203	819 11 11-16	Washer 11/32 x 11/16 x 16 Ga.
29	532 44 27-95	Rod, Brake	205	532 12 17-48	Washer 25/32 x 1-5/8 x 16 Ga.
30	819 13 16-16	Washer	210	532 40 09-80	Rocker Asm. Pedal Control
33	812 00 00-01	Ring E	211	532 12 01-83	Bearing Nylon
35	583 86 45-01	Rod, Brake, Park	214	532 42 12-63	Pedal Forward
37	532 18 89-67	Washer Harden .793 x 1.063 x .060	215	586 60 65-02	Pedal Reverse
38	532 16 96-13	Nyliner Bushing	221	532 40 31-87	Retainer Spring Clip Handle
42	532 12 48-74	Cover, Foot Pedal	222	879 21 20-10	Washer 21/32 x 1-1/4 10 Ga.
49	872 11 06-14	Bolt Rdhd 3/8-16 unc x 3/4 Gr. 5	226	532 40 15-64	Bracket Strap Torque
50	532 19 43-27	Idler Flat	227	817 49 05-12	Screw
51	873 90 06-00	Lock Nut 3/8-16	279	532 44 42-83	Link Shift
52	532 19 43-26	Idler V-Groove	280	819 11 10-12	Washer 11/32 x 5/8 x 12 Ga.
56	591 06 53-01	V-Belt, Drive	309	532 16 55-81	Plate Fstnr Cross Shf
61	532 44 51-51	Pulley Transaxle K46	311	532 16 98-45	Washer Nylon
64	532 19 78-65	Shaft Asm. Pedal Brake Control	312	532 16 56-14	Hub Tapered
73	874 49 05-44	Bolt Flanged	313	874 78 04-16	Bolt Hex Fin 1/4-20 unc x 1 Gr. 5
90	532 44 36-05	Keeper Belt Clutching	314	532 44 47-13	Keeper Belt
99	532 44 39-47	Rod Spring Bypass	315	817 58 05-20	Screw Thdrol 5/16-18 x 4.25
103	873 35 05-00	Nut Hex Jam 5/16-18	335	532 19 95-34	Pulley V-Idler
116	873 90 05-00	Nut Lock Hex Flange 5/16-18	336	587 25 96-01	Bolt 5/16-18 x 1-3/4 Flanged hex
125	817 00 05-12	Screw 5/16-18 x 3/4	339	532 43 68-67	Strap Torque K46 CRD Tex
140	810 04 04-00	Washer Lock Hvy Helical 1/4	342	532 18 26-82	Keeper Belt 2.5" STL V-Idlr CRD
143	539 99 08-58	Screw 5/16-18 x 1/2	343	539 11 28-99	Nut 5/16-18 Hex Flanged Nyloc
159	876 02 04-12	Pin Cotter 1/8 x 3/4	351	532 43 69-98	Bracket 97 CRD Deck Sway
160	532 16 94-84	Retainer Clip	352	532 43 56-45	Bracket Idler CRD Tex
161	532 10 57-09	Spring, Return, Clutch	355	532 43 56-69	Bracket
163	532 44 27-93	Rod Control	359	817 49 06-10	Screw Thdrol 3/8-16 x 5/8
166	532 42 91-64	Nut Push	360	532 44 47-14	Nut 5/16-24 unf
167	532 40 52-57	Latch Brake Parking	362	532 43 68-12	Idler Flat
175	532 42 93-59	Shaft Asm Crossshift Rear CRD	363	532 44 27-80	Spacer .343 x .63 x .62
183	532 13 70-57	Spacer Axle	364	532 44 30-32	Bracket Idler CRD Tex
184	587 65 37-01	Handle Parking Brake	372	582 65 49-01	Keeper Belt Transaxle
185	872 11 06-22	Bolt 3/8-16 unc x 2-3/4 Gr. 5			

NOTE: All component dimensions given in U.S. inches
1 inch = 25.4 mm



SPARK ARRESTER KIT

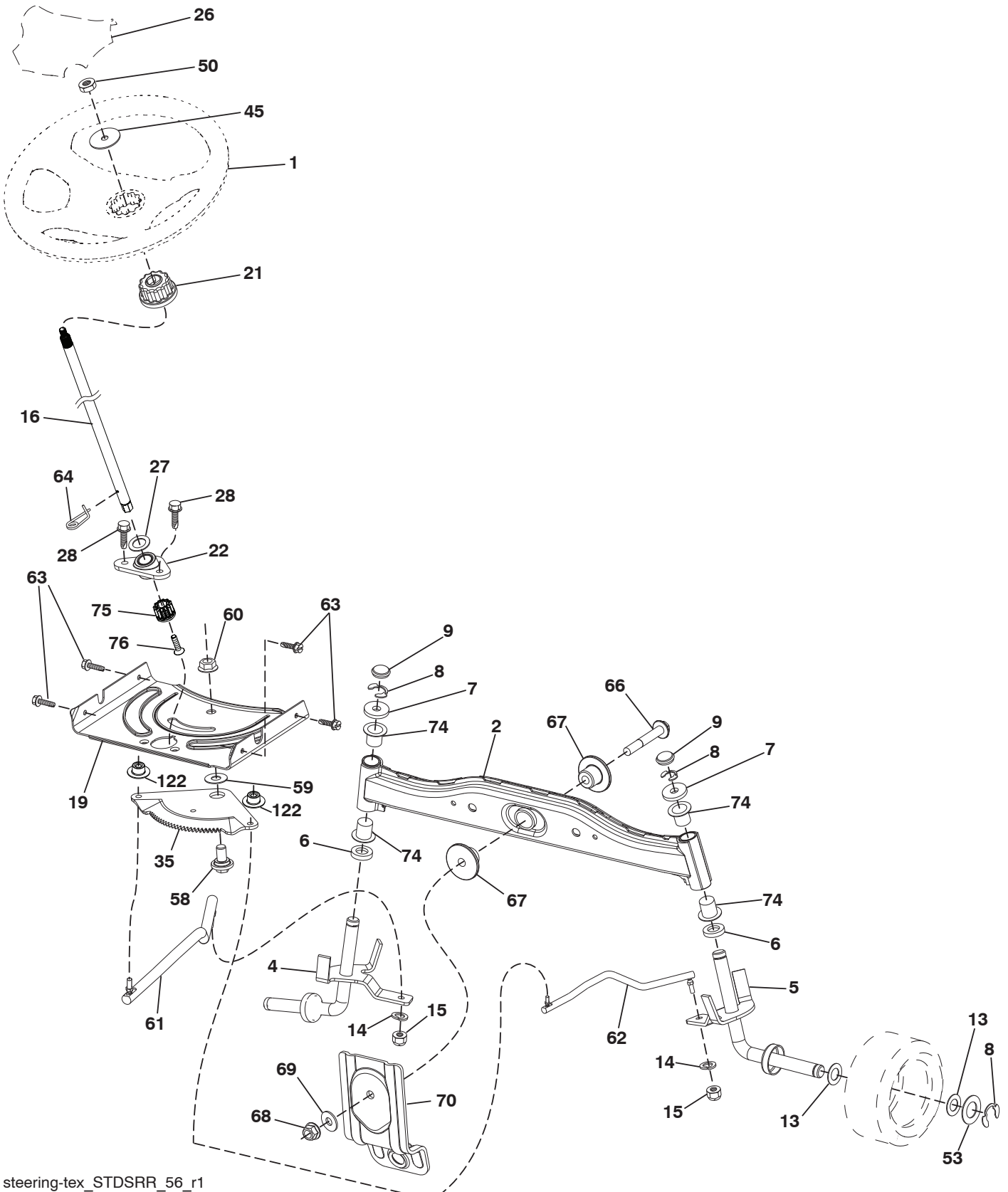
engine-tex_bs-2cyl_151

**TRACTOR - MODEL NO. TC 142T (96051018100), PRODUCT NO. 960 51 01-81
ENGINE 24**

KEY NO.	PART NO.	DESCRIPTION
1	-----	Engine B&S Model No. 40N777-0009-B1 (582593401) (Order parts from engine manufacturer.)
2	589 81 87-01	Muffler
9	501 83 26-02	Keeper Belt Engine
12	586 47 85-01	Pulley Engine
15	581 29 01-01	Tank Fuel
18	532 43 02-20	Fuel Cap
20	587 24 25-01	Control Throttle
21	532 41 63-58	Screw # 10 x 0.750
28	532 13 70-40	Fuel Line
29	532 13 71-80	Spark Arrester Kit
37	532 12 34-87	Clamp Hose
42	539 99 02-47	Washer Lock 7/16
43	817 06 05-16	Screw 5/16-18 x 1
45	873 51 04-00	Nut Keps Hex 1/4-20 unc
62	532 43 40-17	Shield Heat Muffler
69	532 16 53-91	Gasket
70	581 88 11-01	Tube Exhaust LH
71	581 88 10-01	Tube Exhaust RH
79	532 18 39-06	Screw
81	532 14 84-56	Tube Drain Oil Easy
82	532 42 82-87	Valve Oil Drain
84	817 06 06-20	Screw
85	501 60 65-01	Bolt Hex 7/16-20 x 4 x Gr. 5-1.5 Thr
90	817 00 06-16	Screw 3/8-16 x 1
96	819 09 14-16	Washer 9/32 x 7/8 x 16 Ga.
97	817 67 04-12	Screw 1/4-20 x 3/4
102	817 00 05-12	Screw 5/16-18 x 3/4
108	587 17 95-10	Cover Pulley Engine w/SHLD

NOTE: All component dimensions given in U.S. inches
1 inch = 25.4 mm

TRACTOR - MODEL NO. TC 142T (96051018100), PRODUCT NO. 960 51 01-81
STEERING ASSEMBLY 41



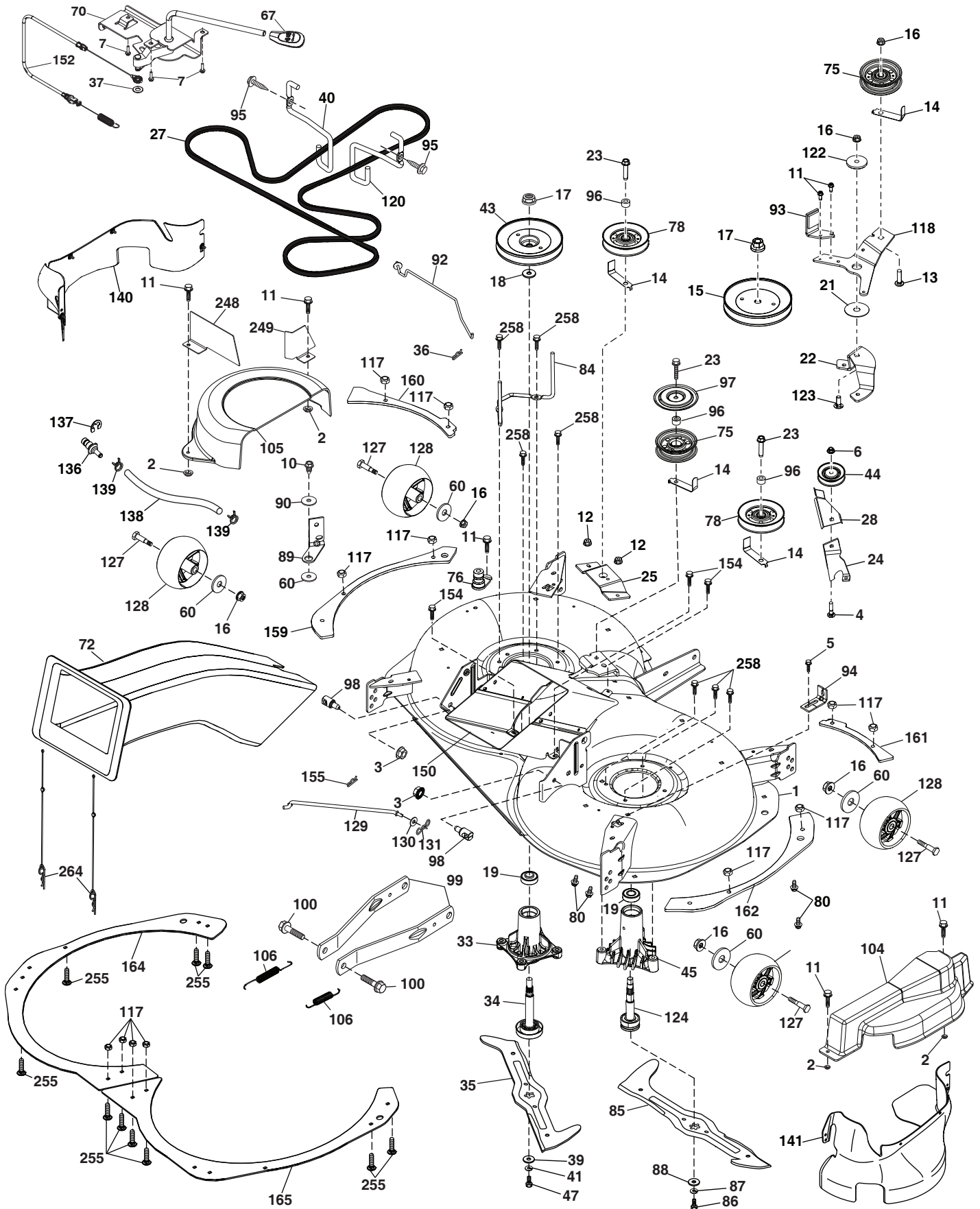
steering-tex_STDSRR_56_r1

**TRACTOR - MODEL NO. TC 142T (96051018100), PRODUCT NO. 960 51 01-81
STEERING ASSEMBLY 41**

KEY NO.	PART NO.	DESCRIPTION
1	532 43 99-97	Wheel, Steering
2	532 41 81-68	Axle Asm.
4	532 40 30-87	Spindle, LH
5	532 40 30-88	Spindle, RH
6	532 12 49-31	Washer Thrust 0.75 x 1.23
7	532 12 17-48	Washer 25/32 x 1-5/8 x 16 Ga.
8	812 00 00-29	Ring, Klip #T5304-75
9	532 12 12-32	Cap, Spindle
13	532 12 17-49	Washer 25/32 x 1-1/4 x 16 Ga.
14	539 99 01-18	Washer, Lock 3/8
15	873 54 06-00	Nut, Crown Lock 3/8-24 unf
16	587 01 60-02	Steering Shaft
19	532 19 47-29	Plate Steering
21	586 84 02-01	Adapter Wheel Steering
22	585 02 98-02	Bearing
26	532 43 97-43	Insert, Wheel Steering
27	819 21 16-16	Washer
28	817 00 06-12	Screw 3/8-16 x 3/4
35	532 19 47-32	Gear, Sector Plate
45	587 01 64-01	Washer 3/8 ID 2-3/8 OD 12 Ga. PLTD
50	873 90 06-00	Nut Lock Flg 3/8-16 unc
53	532 18 89-67	Washer Hardened .793 x 1.637 x .060
58	532 19 47-47	Bolt Shoulder Sector Pivot CFM
59	532 19 47-48	Washer Thrust Sector Steering
60	873 97 10-00	Nut Flange Lock 5/8-11
61	532 19 47-40	Draglink, LH
62	532 19 47-41	Draglink, RH
63	817 00 05-12	Screw 5/16-18 x 3/4
64	532 19 98-49	Retainer Clip Spring Steering
66	871 02 07-48	Bolt Hex Fghd 7/16-14 x 3 Serr
67	532 19 47-37	Bushing PM Front Axle
68	873 90 07-00	Nut Lock Flange 7/16-14 Gr. 5
69	532 19 91-62	Washer 1.5 x .505 x .118
70	585 33 88-01	Bracket Deck Susp. Front
74	532 12 49-37	Bearing
75	580 68 37-01	Pinion
76	580 68 36-01	Screw Head Sock
122	532 44 49-62	Cap Gear

NOTE: All component dimensions given in U.S. inches
1 inch = 25.4 mm

TRACTOR - MODEL NO. TC 142T (96051018100), PRODUCT NO. 960 51 01-81
MOWER DECK 44



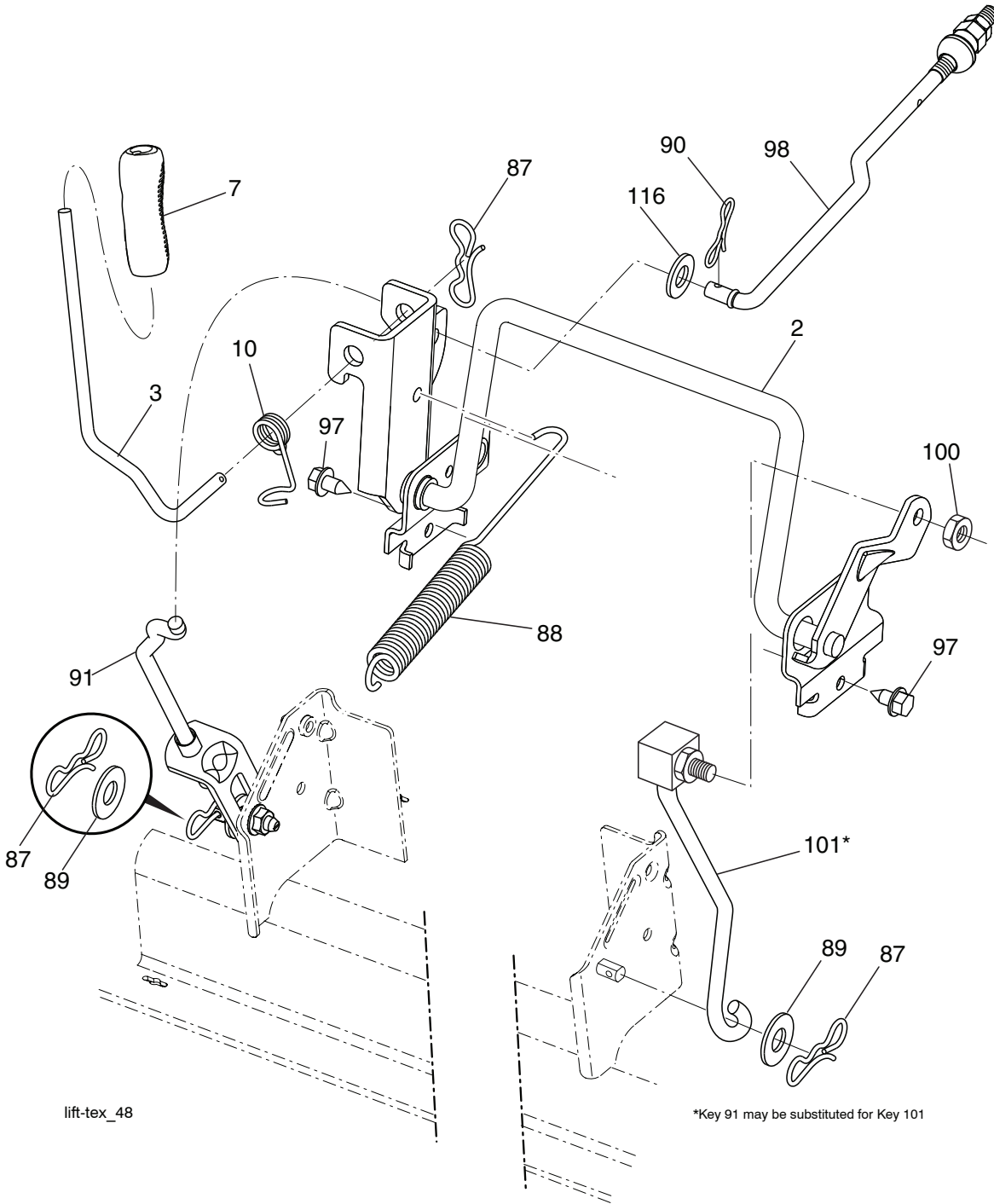
tex-deck_TexCRD-Gen2_108_r1

TRACTOR - MODEL NO. TC 142T (96051018100), PRODUCT NO. 960 51 01-81
MOWER DECK 44

KEY NO.	PART NO.	DESCRIPTION	KEY NO.	PART NO.	DESCRIPTION
1	596 76 30-01	Kit SVC Deck Weldment	96	532 40 02-71	Spacer
2	532 42 30-62	Palnut 1/4	97	532 18 20-61	Shield Idler Mower
3	873 90 05-00	Nut 5/16-18	98	532 19 51-61	Stud Fastener
4	872 11 05-10	Bolt Carr. 5/16-18 x 1-1/4 Gr. 5	99	532 19 51-86	Arm Suspension
5	817 00 05-10	Bolt 5/16-18	100	532 19 65-39	Bolt Shoulder
6	585 69 13-01	Nut Hex Flg Nylock Blk 5/16-18	104	592 86 57-01	Mandrel Cover RH
7	532 41 63-58	Screw #10	105	532 44 47-55	Mandrel Cover LH
10	817 00 06-16	Screw 3/8-16x1	106	532 19 32-16	Spring Brake Return
11	532 13 77-29	Screw 1/4-20 x 5/8	117	873 90 04-00	Nut Hex Flange 1/4-20
12	539 11 28-99	Nut 5/16-18 Hex. Flange Nyloc	118	592 86 58-02	Arm 107 Clutching CRD
13	872 11 06-12	Bolt 3/8-16 x 1-1/2	120	532 19 72-59	Keeper Belt Engine RH
14	532 15 60-85	Keeper Belt Idler	122	532 16 57-23	Spacer Retainer Mower
15	532 19 95-45	Pulley Mandrel 5.438PD ZINC	123	872 11 06-10	Carriage Bolt 3/8-16 x 1.25
16	873 90 06-00	Nut 3/8-16	124	532 16 54-82	Shaft Asm.
17	532 40 02-34	Nut	127	532 19 34-06	Bolt 3/8-16 x 3-5/8
18	532 18 76-90	Washer Spacer Mandrel	128	589 52 73-01	Wheel Gauge Rally
19	585 32 39-01	Bearing Mandrel	129	532 44 32-37	Rod Anti-Sway
21	532 17 85-15	Washer Flat Hardened	130	819 13 13-12	Washer 13/32 x 13/16 x 12 Ga.
22	592 85 47-02	CRD Idler Arm Mount Bracket	131	532 19 42-08	Pin Cotter 5/16 Bow Tie Lock
23	817 49 06-28	Screw 3/8-16 x 1-3/4	136	532 43 96-39	Washout Port Hookup
24	594 97 29-03	Brckt 107 CRD Angle V-Idler	137	812 00 00-29	Ring Klip
25	594 97 26-03	Brckt 107CRD CNTR V-Idler	138	582 82 66-01	Hose 3/8 Long 10"
27	532 44 27-81	Belt Manual	139	532 44 07-42	Hose 3/8 Clamp
28	592 86 59-02	Keeper PNT 107CRD Ang Idler Black	140	501 58 00-01	Guard Asm. LH
33	532 18 72-81	Housing Mandrel	141	501 57 96-02	Guard Asm. RH
34	587 25 65-01	Shaft Asm.	150	596 01 23-02	Weldment Chute Lower
35	532 18 05-83	Blade	152	532 44 76-66	Cable Clutch Manual w/Spring
36	532 12 47-88	Retainer Spring	154	532 19 98-55	Screw
37	819 13 13-16	Washer 13/32 x 13/16 Ga.	155	532 12 47-88	Retainer Spring
39	581 52 65-01	Washer 7/16 Flat	159	585 30 95-05	Reinforce Plate LHS Bolt
40	532 19 72-58	Keeper Belt Engine LH	160	585 30 94-05	Plate LH Front
41	539 99 02-47	Washer Lock 7/16	161	585 31 60-05	Reinforce Plate RH FRT
43	532 44 32-39	Pulley Mandrel	162	585 31 61-05	Plate RH Side
44	532 19 95-34	Pulley V-Idler GRND DR. Plated	164	589 35 85-02	Baffle Plate PNT 107CRD LT BLK
45	532 12 87-74	Housing Mandrel	165	587 42 61-02	Baffle Plate PNT 107CRD LT BLK
47	584 30 93-01	Screw Sems 7/16-20x1 Hex Head	248	589 00 98-02	Guard Mandrel CVR LH Rear
60	819 12 14-14	Washer 5/16 Flat STE STD ZD	249	589 00 97-02	Guard Mandrel CVR LH Front
67	532 40 30-12	Handle Clutch Cable	255	592 80 78-01	Bolt 1/4-20 x 3/4 ZN Short Neck
70	532 19 99-72	Clutch Asm Manual	258	584 95 39-01	Bolt Hex Washer HED .313-18 x 1.19
72	581 45 41-03	Chute Upper	264	589 39 29-01	Retainer Chute Asm
75	532 17 34-38	Pulley Idler Flat	--	587 25 33-01	Mandrel Assembly Tall (Includes Housing (key #33), Shaft Assembly (key #34), And Bearing Only (key #19) - Pulley/Nut/Washer And Blade Bolt/Washers Not Included)
76	532 43 96-40	Washout Port			
78	532 17 39-02	Pulley Idler V-GR. Plated 4.25			
80	539 99 03-16	Carriage Bolt 5/16-18-3/4			
84	532 44 32-35	Keeper Belt LH Mandrel			
85	532 18 05-84	Blade			
86	532 18 17-13	Bolt 3/8-24 x 1.50	--	581 65 05-01	Mandrel Assembly Short (Includes Housing (key #45), Shaft Assembly (key #124), And Bearing Only (key #19) - Pulley/Nut/Washer And Blade Bolt/Washers Not Included)
87	539 99 01-18	Washer Lock			
88	532 14 02-96	Washer Hard Blade			
89	532 19 72-61	Arm Brake			
90	532 19 90-92	Spacer Retainer			
92	592 86 61-01	Link 107CRD Brake Assy			
93	592 85 49-02	Arm Brake	--	596 76 31-01	Replacement Mower Complete
94	532 19 72-50	Bracket Clutch Cable			
95	817 00 06-12	Screw Hexwsh 3/8-16 x 3/4			

NOTE: All component dimensions given in U.S. inches
1 inch = 25.4 mm

TRACTOR - MODEL NO. TC 142T (96051018100), PRODUCT NO. 960 51 01-81
MOWER LIFT 45

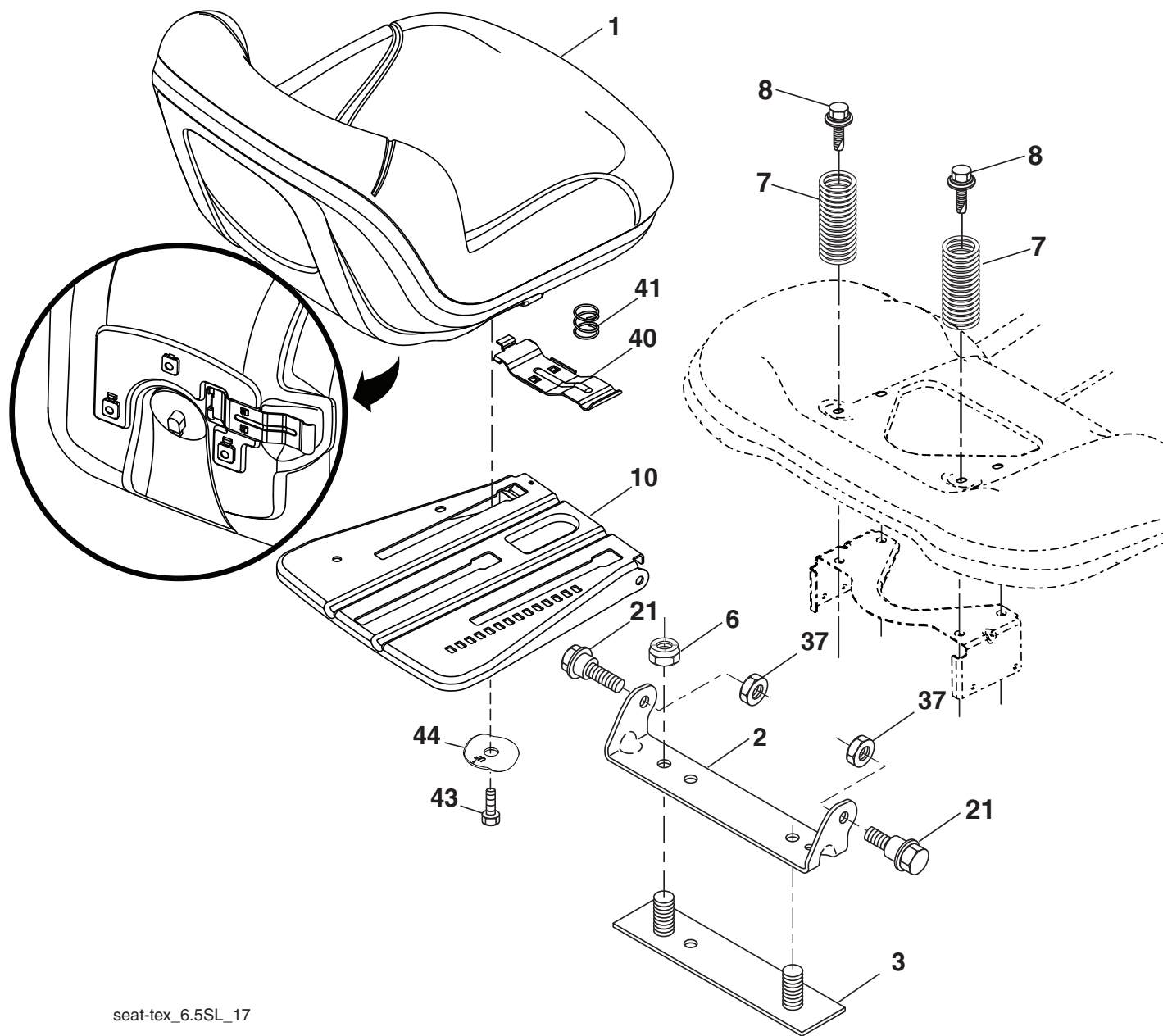


KEY NO.	PART NO.	DESCRIPTION
2	532 43 69-96	Deck Lift Weldment
3	532 19 52-31	Lever Asm., Lift RH
7	580 96 23-01	Grip, Lever
10	532 19 63-14	Spring Torsion
87	532 19 42-09	Pin Cotter 7/16 Bow Tie Lock
88	532 44 54-96	Spring Lift Assist
89	819 19 19-12	Washer Clear Zinc
90	532 19 42-08	Pin Cotter 5/16 Bow Tie Lock
91	532 19 51-81	Link Lift Susp Mower Rear

KEY NO.	PART NO.	DESCRIPTION
97	817 49 06-08	Screw 3/8-16 x 1/2
98	532 19 52-70	Link Lift Susp. Front Mower
100	873 93 06-00	Nut Centerlock
101	532 40 70-03	Link Asm. Lift
116	819 15 15-16	Washer 15/32 x 15/16 x 16 Ga.

NOTE: All component dimensions given in U.S. inches
 1 inch = 25.4 mm

TRACTOR - MODEL NO. TC 142T (96051018100), PRODUCT NO. 960 51 01-81
SEAT ASSEMBLY 42



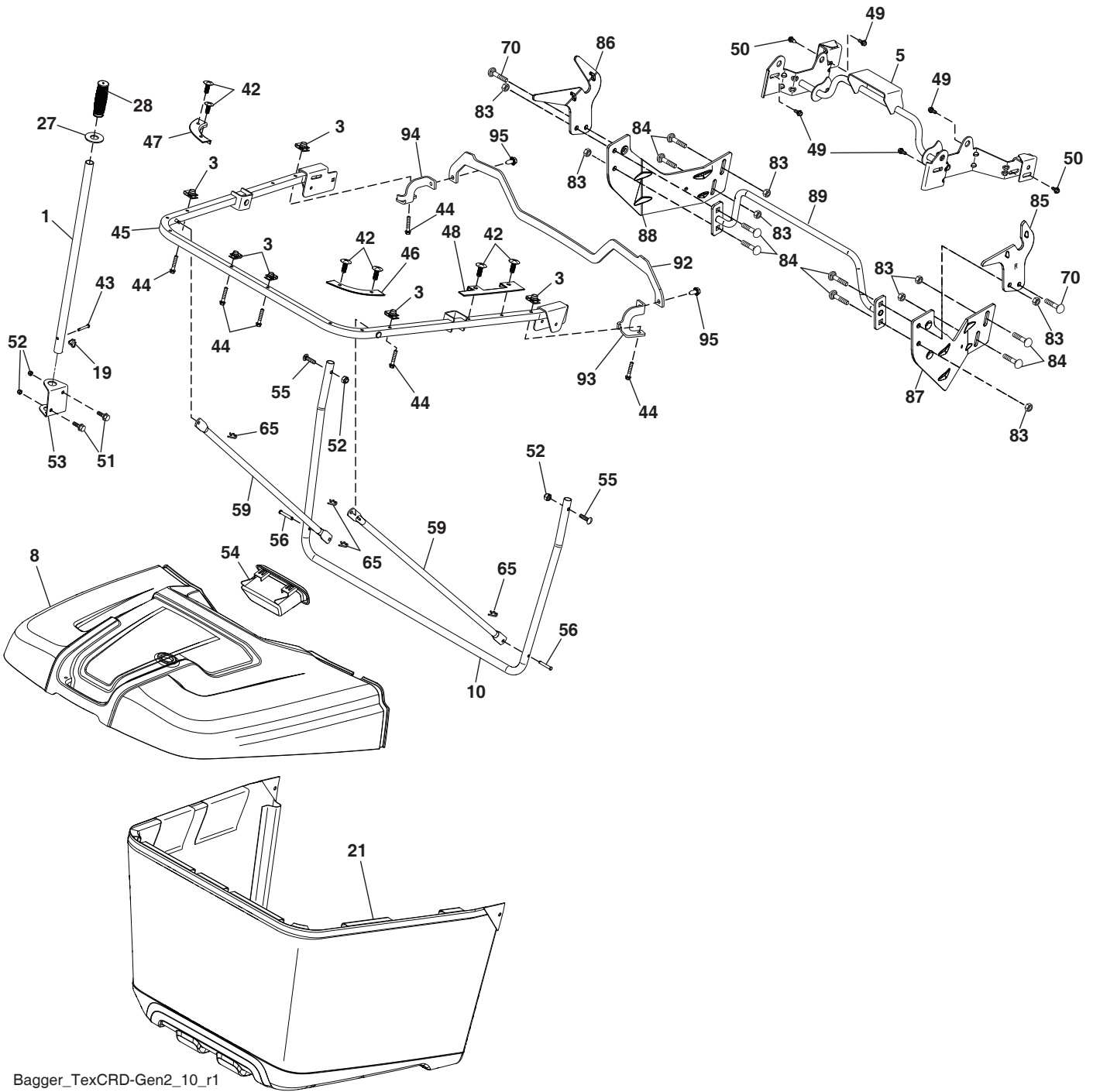
seat-tex_6.5SL_17

KEY NO.	PART NO.	DESCRIPTION
1	532 43 97-09	Seat
2	532 18 01-66	Bracket Pivot Fender
3	532 14 06-75	Strap, Asm Fender
6	873 80 06-00	Nut, Lock w/Ins. 3/8-16 unc
7	589 48 35-01	Spring, Seat Cprsn
8	532 17 18-77	Bolt 5/16-18 unc x 3/4 w/Sems
10	587 23 20-02	Seat Plate
21	587 90 78-01	Bolt, Shoulder 5/16-18 x 5/8

KEY NO.	PART NO.	DESCRIPTION
37	873 80 05-00	Nut, Lock 5/16-18 unc
40	532 19 76-61	Handle Slide Seat
41	532 19 82-00	Spring Latch Seat
43	874 76 06-12	Bolt Fin Hex 3/8-16 unc x 3/4
44	501 05 18-01	Washer Winged

NOTE: All component dimensions given in U.S. inches
 1 inch = 25.4 mm

TRACTOR - MODEL NO. TC 142T (96051018100), PRODUCT NO. 960 51 01-81
BAGGER 46



Bagger_TexCRD-Gen2_10_r1

**TRACTOR - MODEL NO. TC 142T (96051018100), PRODUCT NO. 960 51 01-81
BAGGER 46**

KEY NO.	PART NO.	DESCRIPTION
1	532 42 86-10	Tube Handle Bagger
3	532 17 48-14	Nut Push
5	532 44 37-62	Frame Asm Top Bagger
8	587 58 86-01	Cover Bagger
10	532 44 37-55	Frame Front
19	532 19 42-08	Cotter Pin 5/16 Bow Tie
21	581 33 71-03	Bag Asm
27	532 44 55-29	Grommet Rubber
28	532 16 57-87	Grip Handle Black
42	532 44 04-28	Christmas Tree Clip
43	532 12 68-75	Clevis Pin
44	532 19 96-87	Bolt 1/4-20 1.50
45	532 44 37-54	Upper U Frame Weldment
46	532 44 55-41	Bagger Corner Close-Out RH
47	532 44 40-79	Bagger Corner Close-Out LH
48	532 44 40-80	Top Bagger Side Close-Out
49	532 17 18-73	Bolt Shoulder 5/16-18 TT
50	532 17 18-77	Bolt 5/16-18 unc x 3/4 w/SEMS
51	872 11 05-06	Bolt RDHDSQNK 5/16-18 unc x 3/4
52	873 80 05-00	Nut Lock HX w/lms 5/16-18 unc
53	532 44 41-95	Bracket Dump Handle
54	532 44 72-18	Bagger TOP Front Handle
55	539 10 29-33	Bolt RHSNB 5/16-18 x 1 1/2
56	532 42 03-06	Pin Clevis 1.83 OD x 1.26 long
59	532 44 47-63	Bagger Spread Tube
65	532 12 47-88	Clip Retainer
70	817 00 06-12	Bolt 3/8-16 x 3/4
83	873 80 06-00	Nut Lock Hex w/lms 3/8-16
84	872 11 06-08	Bolt RDHD SQNK 3/8-16 x 1 Gr. 5
85	581 31 44-02	Bracket RH Pivot
86	581 31 43-02	Bracket LH Pivot
87	581 31 48-02	Bracket RH
88	581 31 47-02	Bracket LH
89	581 31 51-04	Tube Asm.
92	586 05 23-02	Bracket Top Support
93	586 05 24-02	Bracket Support RH
94	586 05 25-02	Bracket Support LH
95	817 00 05-12	Screw 5/16-18 x 3/4
--	501 70 56-01	Bagger Dump Kit (Includes Key#'s 85, 86, 87, 88, & 89)
--	586 74 49-01	Bagger Complete Kit (Includes Key#'s 1, 5, 10, 19, 21, 27, 28, 42, 43, 46, 47, 48, 49, 50, 52, 54, 56, 59, 65)

NOTE: All component dimensions given in U.S. inches
1 inch = 25.4 mm

