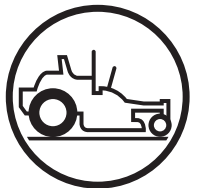




www.husqvarna.com



Parts Manual

Z 142 / 96792480100

Please read the operator manual carefully
and make sure you understand the instructions
before using the machine.

Gasoline containing a maximum of 10% ethanol
(E10) is permitted for use in this machine. The use of
gasoline with more than 10% ethanol (E10)
will void the product warranty.

2019-05-01 SR/JSE

114 08 59-27 Rev. 4



When you need spare parts or support in service questions, warranty issues, etc., please consult the following professional:

This manual belongs to the machine with the manufacturing number:	Engine	Transmission

Ref.	Part No.	Qty	Description	Kit / Assy Includes
1	587 59 56-01	1	Decal, Steer / Brake Left	
2	587 59 55-01	1	Decal, Steer / Brake Right	
3	596 23 73-01	2	Decal, Z 142	
4	539 10 57-45	1	Decal, Battery Warning	
5	584 90 46-01	1	Decal, Deck / Deflect. Warning	
6	539 10 83-85	1	Decal, Do Not Tow	
7	539 10 83-86	1	Decal, Exit Mower	
8	539 10 98-97	1	Decal, Service	
9	590 48 55-01	1	Decal, Safety Warnings	
10	532 42 38-29	1	Decal, Responsibility	
11	588 03 50-01	1	Decal, Start	
12	581 72 44-01	1	Decal, Deflector	
13	577 46 90-01	2	Decal, Husqvarna	
14	510 24 02-01	1	Decal, Belt Routing	
15	585 71 44-01	1	Decal, Pop. Armored	
16	591 35 73-01	1	Decal, Logo	
17	587 00 07-01	1	Pad, Abrasive	

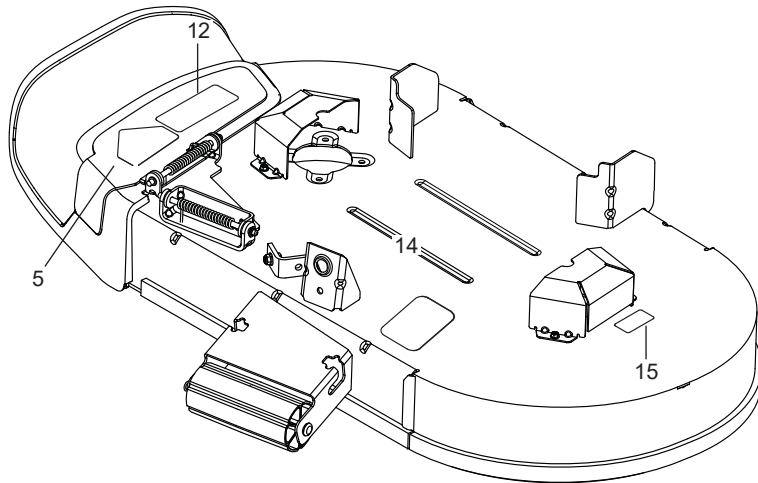
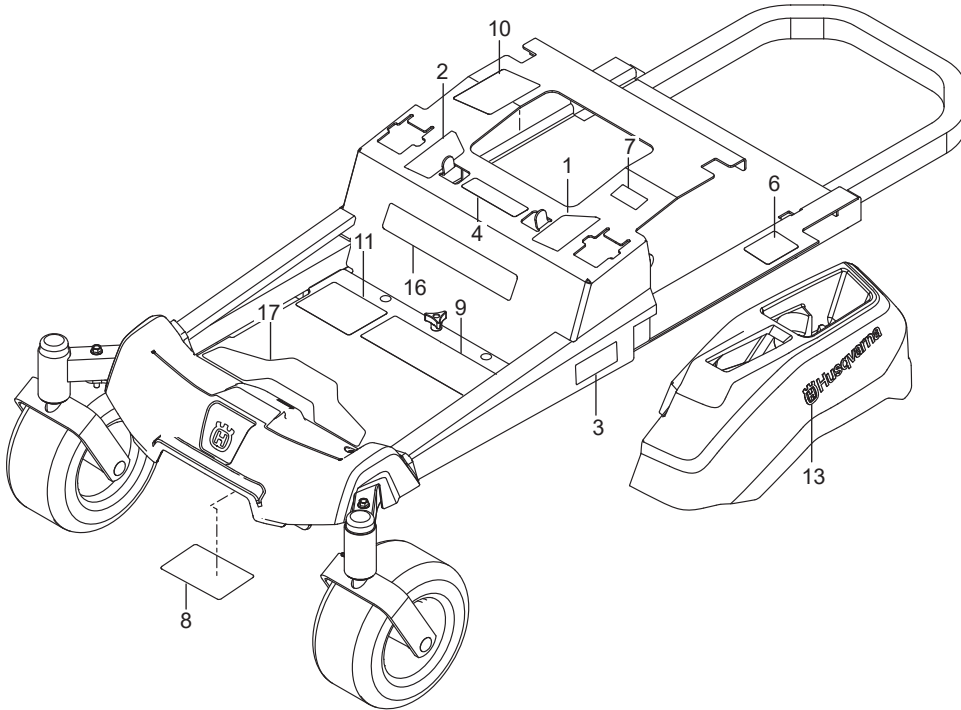
Manufacturing Number

The machine's manufacturing number can be found on the printed plate affixed to the engine compartment.

Stated on the plate, from the top are:

- The machine's type designation (I.D.)
- The manufacturer's type number (Model)
- The machine's serial number (Serial no.)

Please have the type designation and serial number available when ordering spare parts.



FRAME4

ENGINE MOUNTING, GUARDS & MUFFLER6

STEERING8

IGNITION SYSTEM.....10

BRAKE / LIFT12

HYDRAULIC PUMP-MOTOR.....14

WHEELS & TIRES16

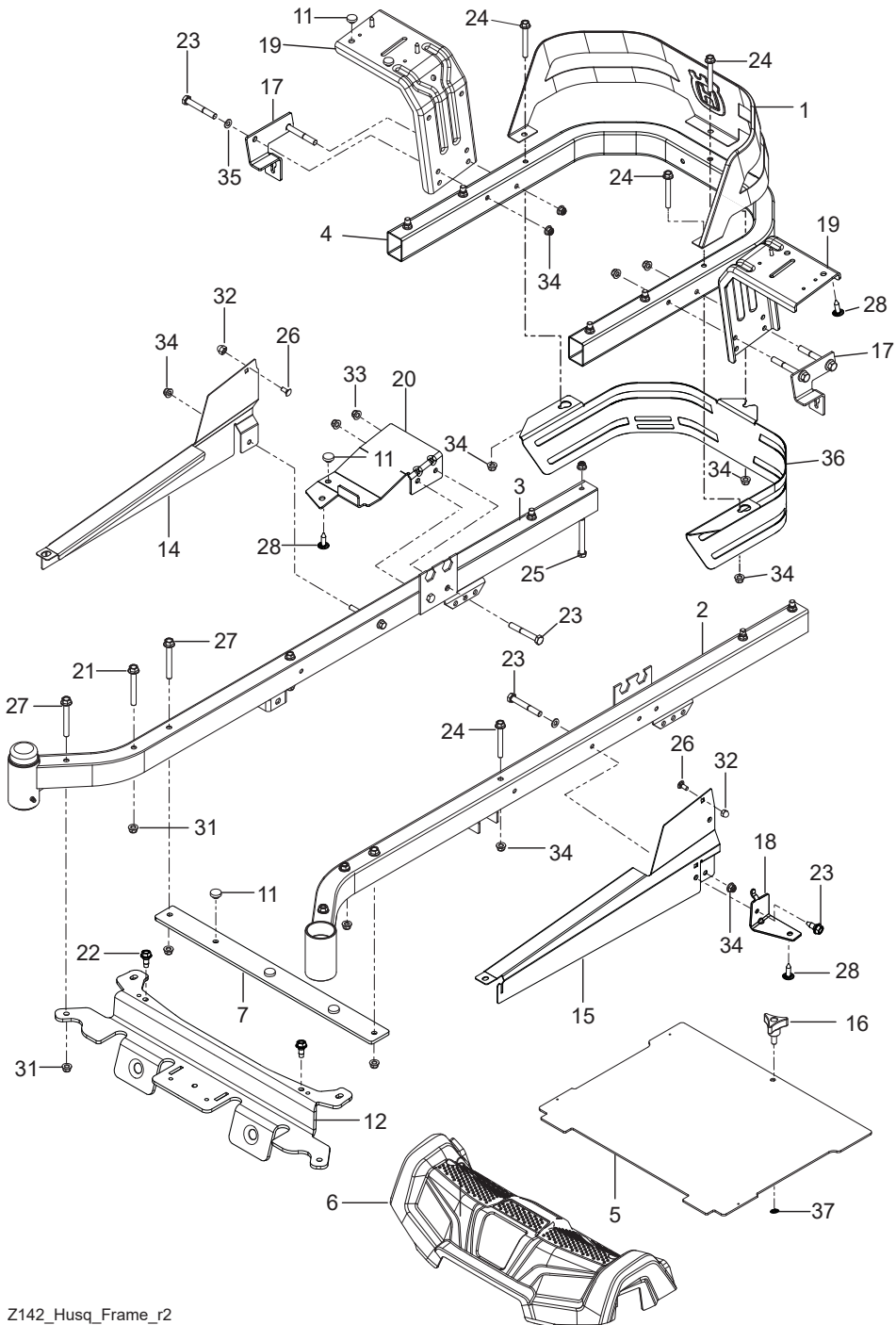
MOWER DECK / CUTTING DECK18

SEAT20

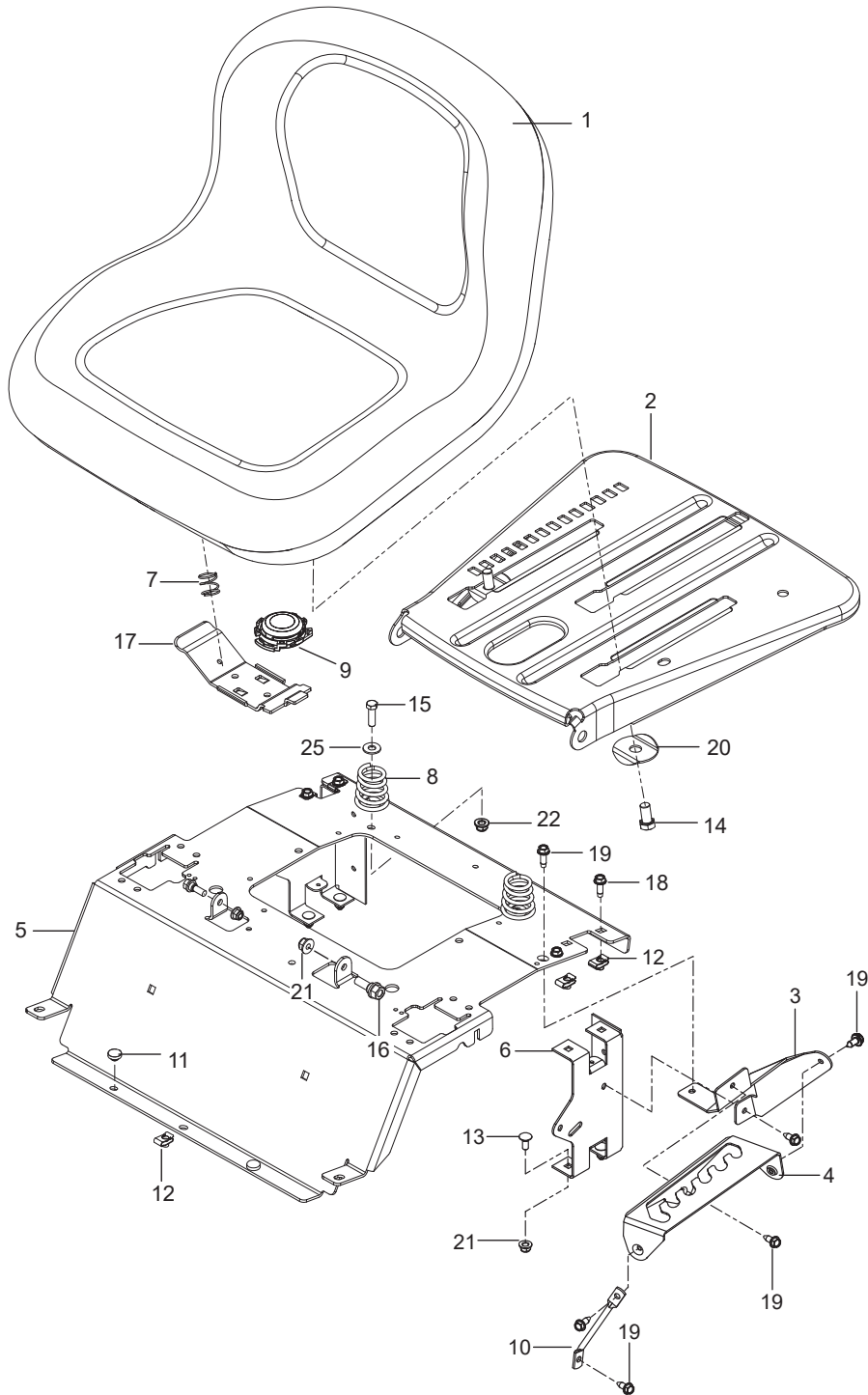
DECALS22

Illustrations may or may not represent the actual assemblies and it is not recommended to use this manual as a guide to assemble or disassemble the mower.

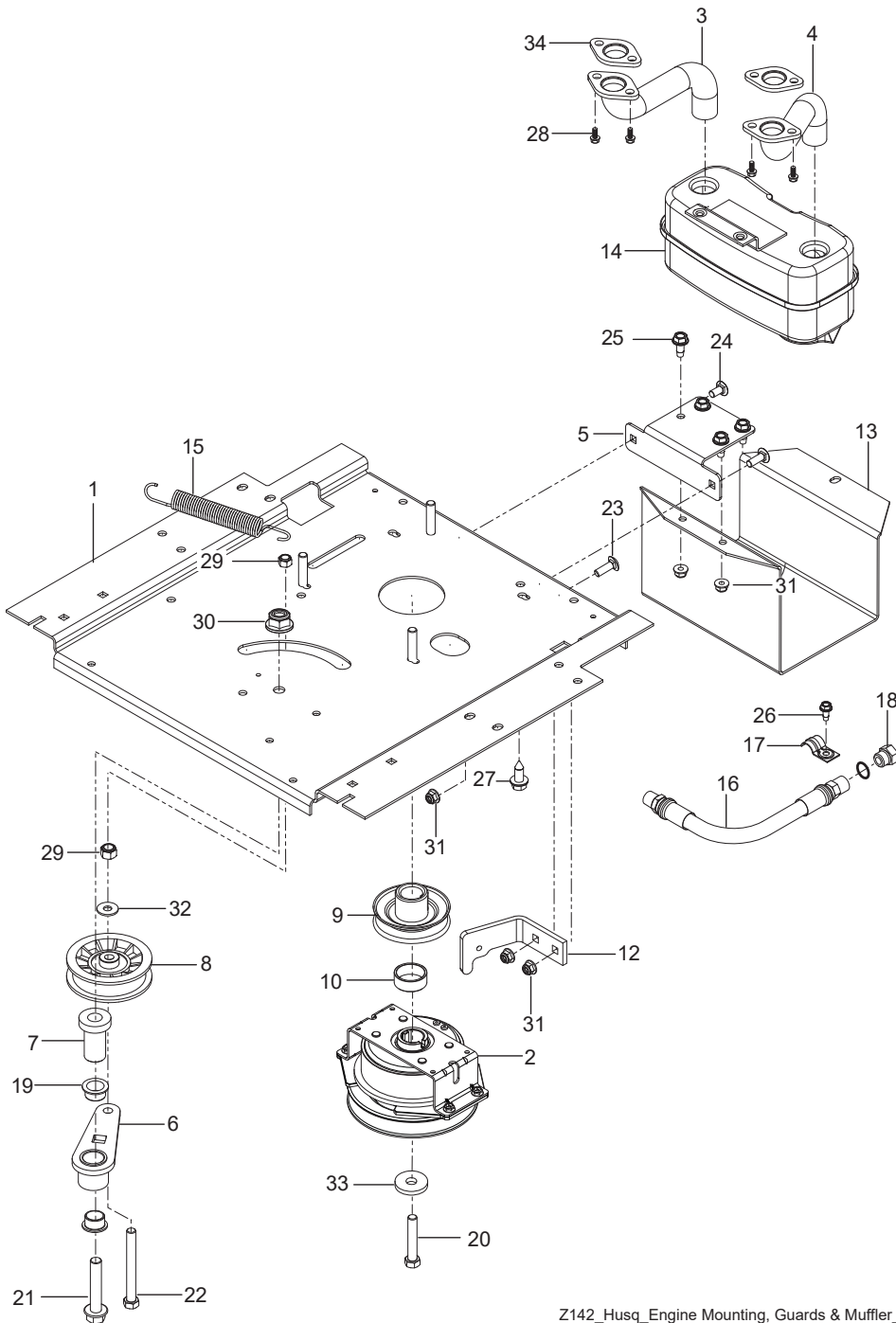
NOTE: All fasteners are Grade 5 unless otherwise specified.



Ref.	Part No.	Qty	Description	Kit / Assy Includes
1	532 43 98-22	1	Seat	9
2	587 23 20-02	1	Pan, Seat Blk	
3	586 22 08-02	1	Plate, Lift Support	
4	586 22 12-02	1	Plate, Deck Lift	
5	589 76 12-11	1	Support, Seat Orange	
6	580 30 82-02	2	Support, Seat Rear Black	
7	532 19 82-00	1	Spring, Latch	
8	589 48 35-01	2	Spring, Seat	
9	532 40 15-45	1	Switch, Seat	
10	586 42 86-01	1	Support, Leg	
11	585 98 93-01	2	Grommet, Bumper	
12	539 10 47-63	5	Retainer, U Type	
13	539 99 03-16	4	Bolt 5/16-18 x 3/4 Round Hd Square Neck	
14	874 76 06-12	2	Bolt Fin Hex 3/8-16 unc x 3/4	
15	874 78 06-20	2	Bolt 3/8-16 x 1-1/4 Hex Head	
16	539 11 03-03	2	Bolt 5/16-18 Shoulder	
17	532 19 76-61	1	Handle, Slide	
18	817 49 05-12	4	Screw 5/16-18 x 3/4 Thread Form	
19	817 00 05-10	6	Screw 5/19-18 x 5/8 Washer Hd	
20	501 05 18-01	2	Washer 3/8 x 1-1/2 Winged	
21	539 11 28-99	4	Nut 5/16-18 Hex Flange Nyloc	
22	521 99 65-01	2	Nut 3/8-16 Hex Flange Nyloc	
25	819 14 16-14	2	Washer 3/8 Std Flat	
NOT SHOWN - OPTIONAL				
590 87 34-02	1	Kit, Armrest		

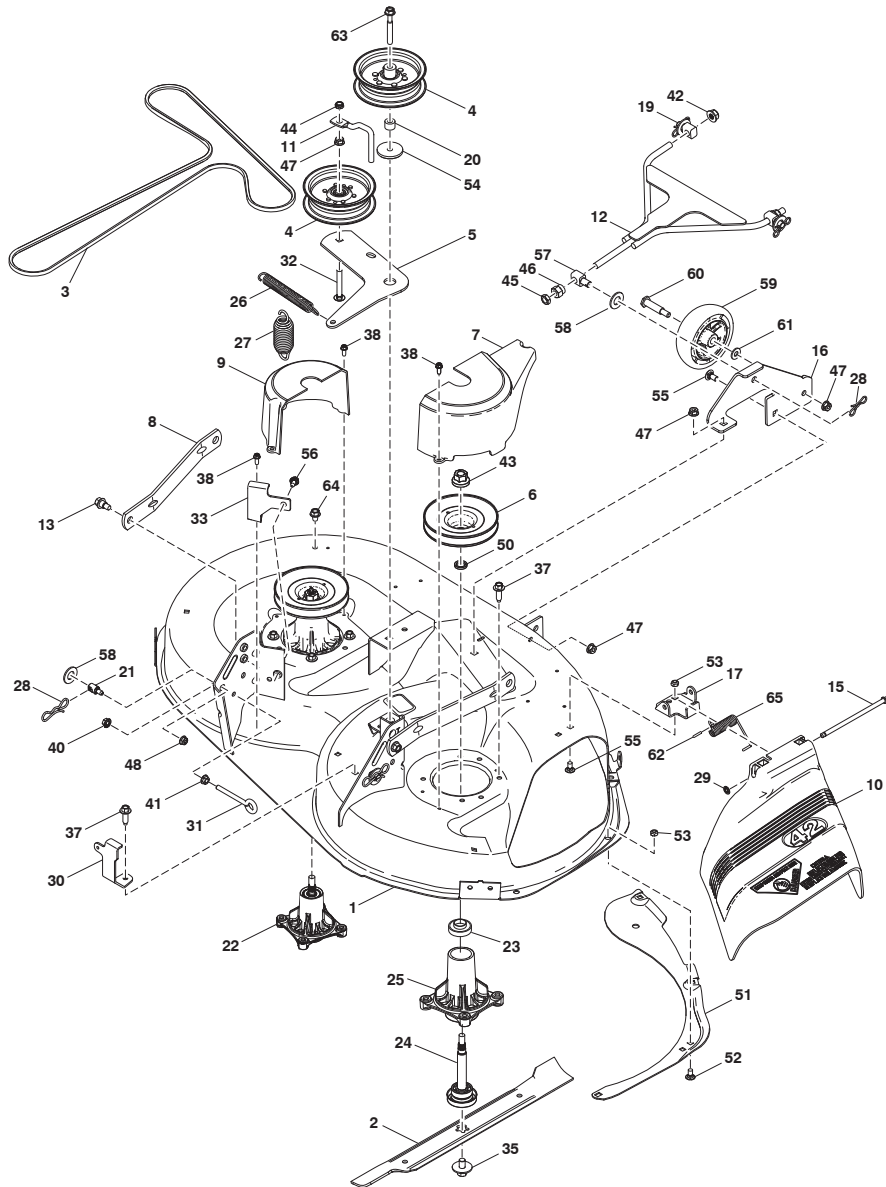


Ref.	Part No.	Qty	Description	Kit / Assy Includes
1	585 03 98-02	1	Guard, Rear Blk	
2	589 28 34-02	1	Frame, Front Right Orange	
3	589 28 33-02	1	Frame, Front Left Orange	
4	584 99 10-02	1	Frame, Rear Tube Orange	
5	581 44 86-02	1	Foot Plate	
6	586 70 38-01	1	Cover, Footrest w/Decal	
7	585 52 30-04	1	Support, Footrest	
11	585 98 93-01	7	Grommet, Bumper	
12	585 52 31-04	1	Cross Member	
14	585 33 16-02	1	Cover, Rail Right	
15	585 33 15-02	1	Cover, Rail Left	
16	539 10 44-11	1	Knob w/ Stud	
17	585 47 43-02	2	Bracket, Bypass Rod	
18	585 52 36-04	1	Support, Console Left	
19	580 50 13-02	2	Support, Fender Blk	
20	585 52 34-04	1	Support, Console Right	
21	586 65 43-01	2	Bolt 3/8-16 x 3 Shoulder	
22	586 88 11-01	2	Bolt 5/16-18 Shoulder	
23	874 78 05-36	7	Bolt 5/16-18 x 2-1/4	
24	874 78 05-44	5	Bolt 5/16-18 x 2-3/4	
25	874 78 06-48	8	Bolt 3/8-16 x 3	
26	585 94 00-01	2	Bolt 5/16-18 x 1 Carriage	
27	577 11 77-01	4	Bolt 3/8-16 x 3	
28	532 41 63-58	6	Screw #10-24 x 3/4 Hex Head	
31	521 99 65-01	8	Nut 3/8-16 Hex Flange Nyloc	
32	585 93 81-01	2	Nut 5/16-18 Acorn	
33	873 90 05-00	2	Nut 5/16-18 Hex Flange Lock	
34	539 11 28-99	9	Nut 5/16-18 Hex Flange Nyloc	
35	819 11 11-16	6	Washer 5/16 SAE Flat	
36	591 19 25-02	1	Rear Muffler Guard	
37	532 42 30-63	1	Palnut 5/16"	



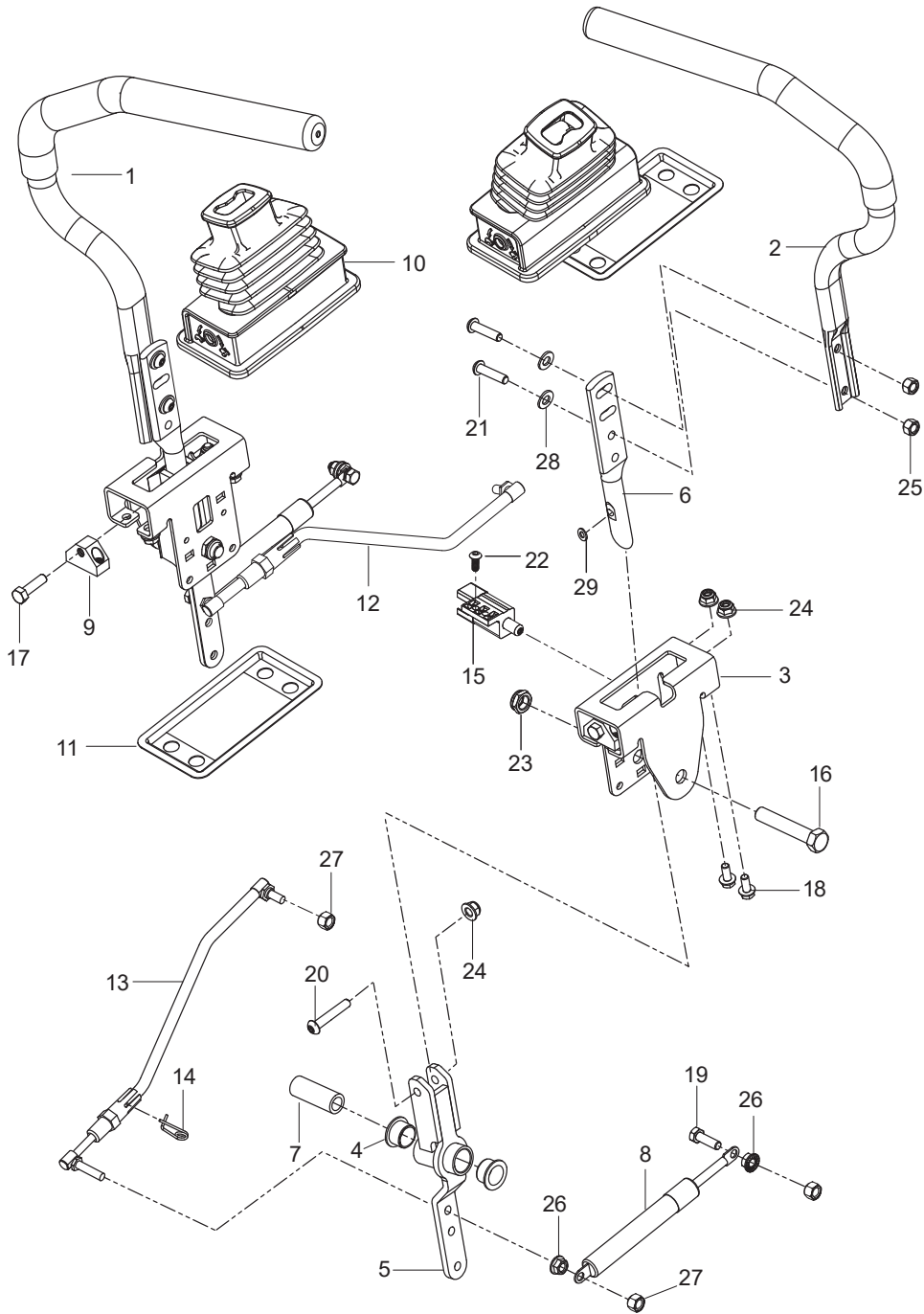
Z142_Husq_Engine Mounting, Guards & Muffler_r1

Ref.	Part No.	Qty	Description	Kit / Assy Includes
9	594 11 40-01	1	Cover, Mandrel, LH	
10	532 40 30-04	1	Shield, Deflector	
11	532 19 84-68	1	Keeper, Belt	
12	588 61 09-02	1	Link, Front	
13	532 19 65-39	2	Screw, Shoulder 3/8-16 x .810 Hex Flange	
15	532 13 14-91	1	Rod, Hinge	
16	594 11 44-03	1	Bracket, Front Suspension	
17	532 19 25-57	1	Bracket, Deflector	
19	532 19 52-63	2	Bushing, Pivot	
20	596 01 47-01	1	Spacer, Pulley	
21	532 19 51-61	2	Stud w/ Anti-Rotate	
22	587 12 52-01	1	Mandrel, W/Spchr	
23	585 32 39-01	1	Bearing, Upper	
24	587 25 56-01	1	Shaft, Mandrel	
25	532 17 43-58	1	Housing	
26	532 19 72-51	1	Spring, Drive, Elec.	
27	539 11 87-62	1	Spring	
28	532 19 42-08	3	Pin	
29	532 11 04-52	1	Push Nut	
30	596 01 69-03	1	Bracket, Rear, Deck, Upstop, RH	
31	539 11 55-74	1	Eyebolt 5/16 x 3-1/2	
32	539 12 81-01	1	Bolt Carriage 3/8-16 x 2-1/2	
33	596 01 70-03	1	Bracket, Rear, Deck, Upstop, LH	
35	584 30 93-01	2	Screw SEMS 7/16-20 x 1 Hex Head	
37	584 95 39-01	8	Bolt, Hex, WSHRHD .313-18 x 1.19	
38	532 13 77-29	7	Screw 1/4-20 x 5/8	
40	539 99 05-85	1	Nut 5/16-18 Hex Whiz Lock	
41	539 11 28-99	1	Nut 5/16-18 Hex Flange Nyloc	
42	539 11 91-24	2	Nut 7/16-14 Hex Nyloc	
43	532 40 02-34	2	Nut 9/16 Top Center Lock	
44	873 68 06-00	1	Nut 3/8-16 Crown Lock	
45	873 36 07-00	1	Nut 7/16-20 Hex Jam	
46	532 17 59-94	1	Nut 7/16-20 Lift Link	
47	873 90 06-00	4	Nut 3/8-16 Flange Lock	
48	873 90 05-00	2	Nut 5/16-18 Hex Flange Lock	
50	532 18 76-90	2	Washer, Spacer	
51	583 91 14-01	1	Baffle, Vortex 42	
52	872 14 05-05	6	Bolt RDHD SQNK 5/16-18 x 5/8	
53	873 68 05-00	6	Nut, Crownlock 5/16-5/8	
54	532 16 57-23	1	Spacer, Retainer	
55	872 11 06-06	2	Bolt, RDHD SHT SQNK 3/8-16 x 3/4	
56	817 00 06-12	1	Screw, Hexwsh, THDR 3/8-16 x 3/4	
57	581 51 43-01	1	Swivel, Trunion, Linkdeck, Front	
58	819 21 21-13	3	Washer, 21/32 x 1-5/16 x 13	
59	589 52 74-01	1	Wheel, Gauge, Narrow	
60	532 12 48-42	1	Bolt SHLD "A" 2.41 "B" 1.66	
61	539 99 06-92	1	Washer 5/16 Flatste STD ZD	
62	532 10 53-04	2	Cap, Sleeve .80 x .112	
63	817 49 06-44	1	Screw Hxwsh. Thdr. 3/8-16 x 2-3/4	
64	817 67 06-08	1	Screw, THDROL 3/8-16 x 1/2 TYT BL	
65	532 19 70-26	1	Spring, Torsion, DFL	
	NOT SHOWN			
--	532 41 64-05	1	Coupling Quick-Connect	

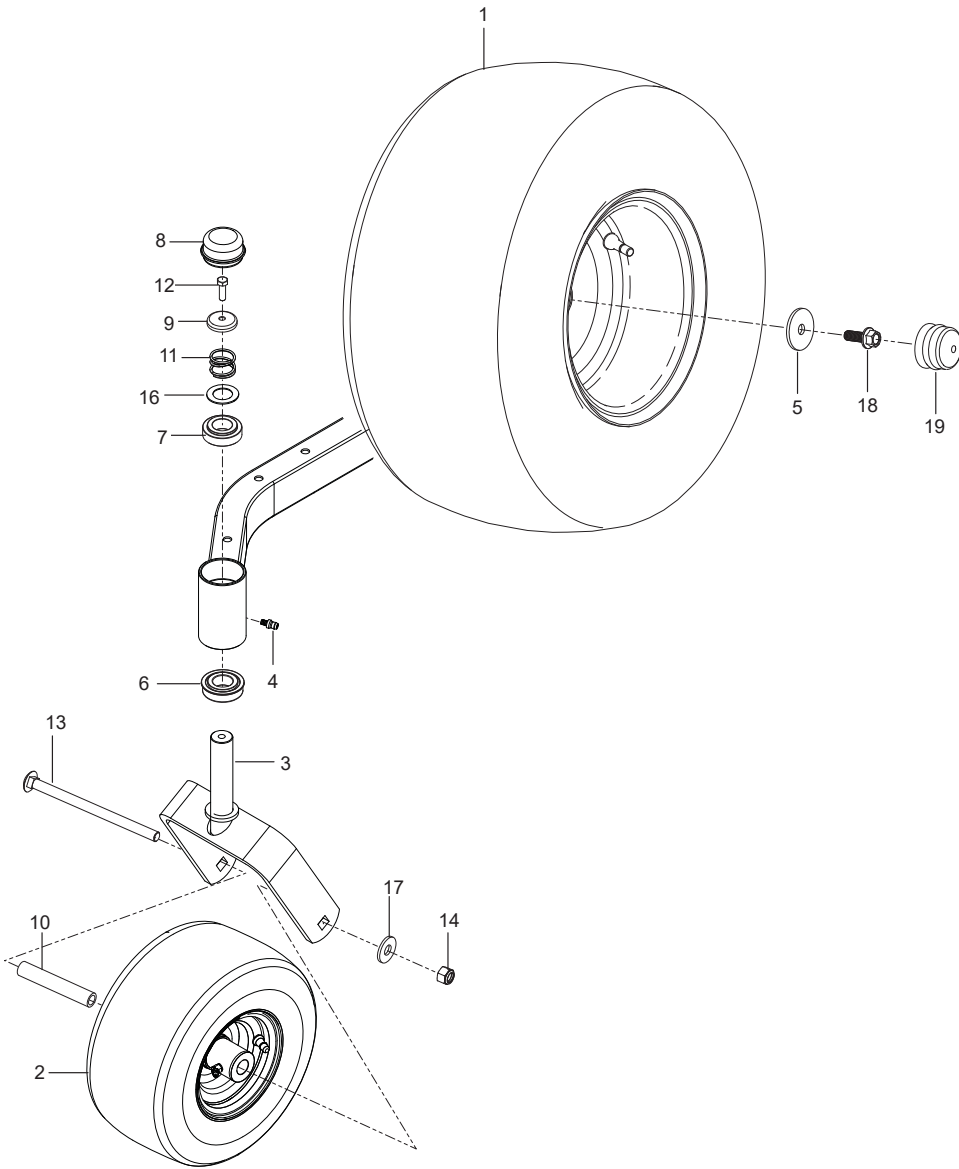


Ref.	Part No.	Qty	Description	Kit / Assy Includes
1	595 89 86-02	1	Plate, Engine Blk	
2	585 52 11-01	1	Clutch	
3	583 95 48-01	1	Tube, Exhaust Right	
4	583 95 45-01	1	Tube, Exhaust Left	
5	581 88 67-02	1	Bracket, Muffler Blk	
6	532 44 81-45	1	Arm, Idler	
7	582 53 89-01	1	Spindle, Idler	
8	539 11 03-11	1	Pulley, Idler	
9	587 53 74-01	1	Pulley, Engine	
10	539 11 22-52	1	Spacer	
12	510 24 60-02	1	Stop, Clutch Blk	
13	587 45 12-02	1	Guard, Muffler Blk	
14	539 13 16-04	1	Muffler Assembly	
15	532 19 61-05	1	Spring, Deck Drive	
16	584 82 55-01	2	Assy, Drain Hose	19
17	539 10 13-63	1	Clamp	
18	585 80 71-01	1	Plug, Oil w/ O-ring	
19	501 60 37-01	2	Bearing, Flanged	
20	581 33 28-04	1	Bolt 7/16-20 x 3.5 Hex Head Gr. 5	
21	582 53 95-01	1	Bolt 1/2-13 x 2-3/4 Hex Flange Head	
22	874 52 06-56	1	Bolt 3/8-16 x 3-1/2 Hex Head	
23	539 99 02-08	2	Bolt 5/16-18 x 1 Round Head Square Neck	
24	539 99 03-16	2	Bolt 5/16-18 x 3/4 Round Hd Square Neck	
25	817 49 05-12	4	Screw 1/4-20 X 5/8 Thread Form	
26	817 49 04-10	1	Screw 1/4-20 X 5/8 Thread Form	
27	817 12 06-16	4	Screw 3/8-16 x 1 Thread Form	
28	532 18 39-06	4	Screw 5/16-18 x 1 Socket Hd	
29	539 97 69-79	2	Nut 3/8-16 Hex Nyloc	
30	521 99 11-01	1	Nut 1/2-13 Hex Flange Nyloc	
31	539 11 28-99	5	Nut 5/16-18 Hex Flange Nyloc	
32	539 99 06-92	1	Washer 5/16 Std Flat	
33	532 12 61-97	1	Washer 1-1/2 Flat	
34	532 18 60-54	2	Gasket	
	NOT SHOWN			
	-----	1	Engine, Kohler KT6600 17 HP For Engine Replacement Parts, See a Kohler Dealer	

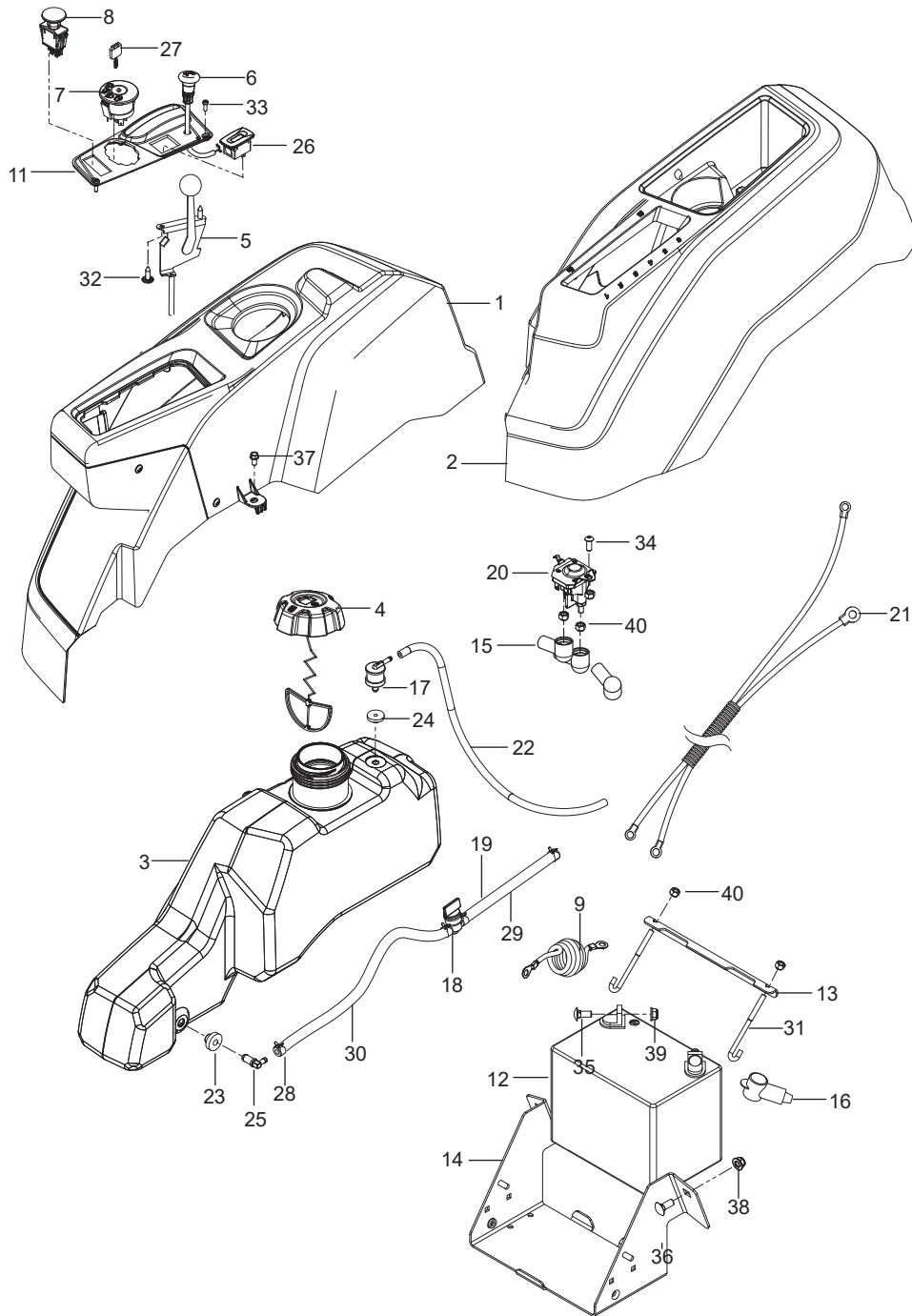
Ref.	Part No.	Qty	Description	Kit / Assy Includes
1	596 97 33-01	1	Deck Orange	
2	532 13 89-71	2	Blade, Mower	
3	596 01 48-01	1	Belt	
4	532 19 61-06	2	Pulley, Idler	
5	594 11 46-02	1	Arm, Idler	
6	588 58 66-01	2	Pulley, Mandrel	
7	594 11 41-01	1	Cover, Mandrel, RH	
8	587 14 05-02	2	Arm, Suspension Blk	



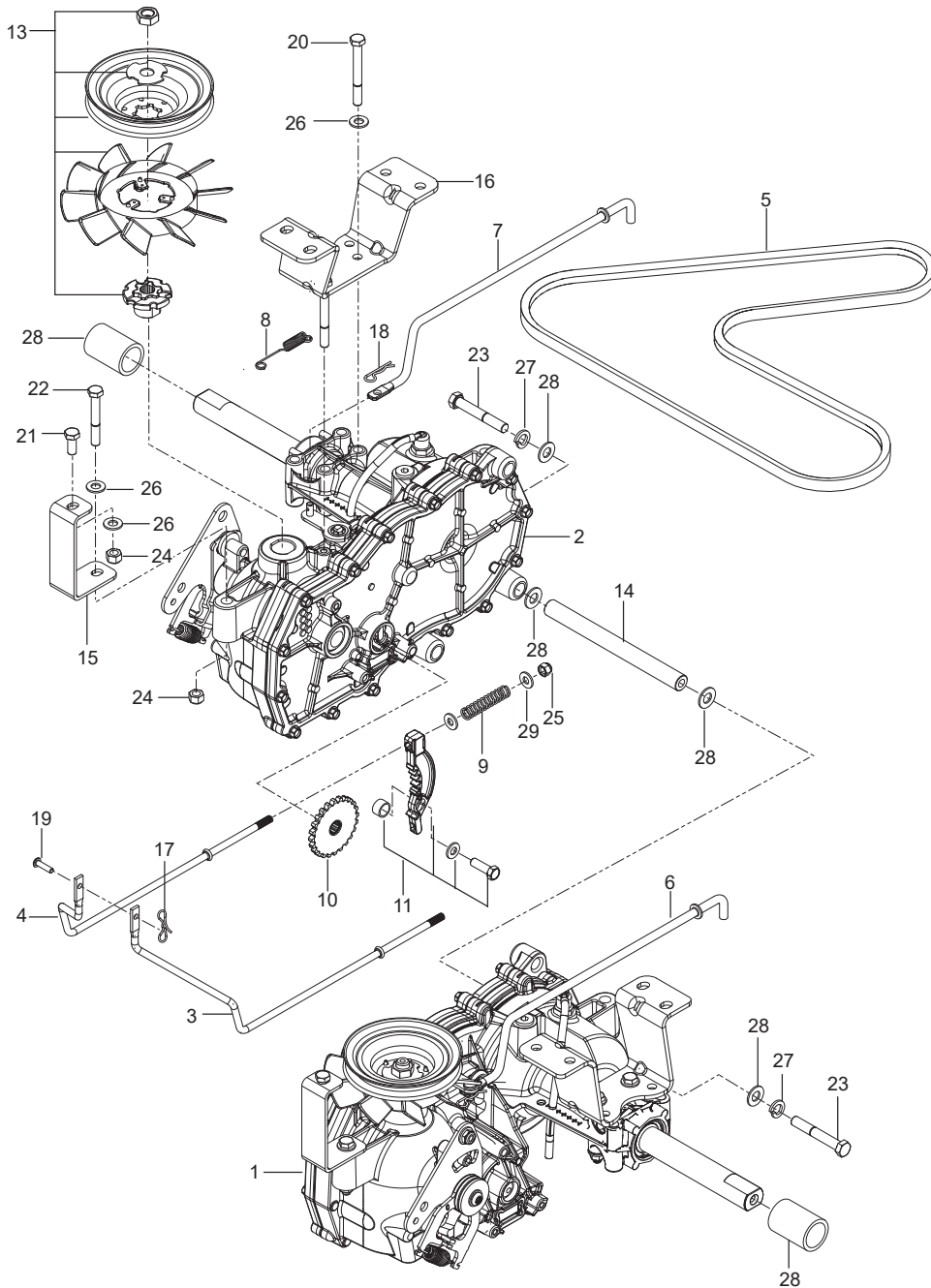
Ref.	Part No.	Qty	Description	Kit / Assy Includes
1	596 32 84-04	2	Assembly, Wheel Rear 18 x 7.5 x 8	
2	590 48 68-02	2	Wheel Assembly Caster 11 x 6-5	
3	510 18 65-05	2	Yoke Orange	
4	539 11 56-38	2	Zerk 3/16 Drive	
5	596 20 90-01	2	Washer Axle 1-5/8	
6	539 11 26-60	2	Bearing, Flanged	
7	539 11 79-01	2	Bushing, Caster	
8	539 10 25-35	2	Grease Cap	
9	539 11 57-49	2	Plug, Caster	
10	584 92 72-01	2	Spacer, Pivot	
11	539 11 57-47	2	Spring, Caster	
12	874 95 05-16	2	Bolt, Hex 5/16-18 x 1 Nylon Patch	
13	721 40 81-04	1	RHSNB 1/2 x 6.50 Gr. 5 ZD	
14	873 93 08-00	2	Nut 1/2-13 Hex Center Lock	
16	539 11 56-75	2	Washer	
17	819 18 22-12	2	Washer 9/16	
18	525 61 28-01	2	HHFS 3/8- 16 x 1 Gr. 5 ZD	
19	532 17 50-39	2	Cap, Hub, Axle	



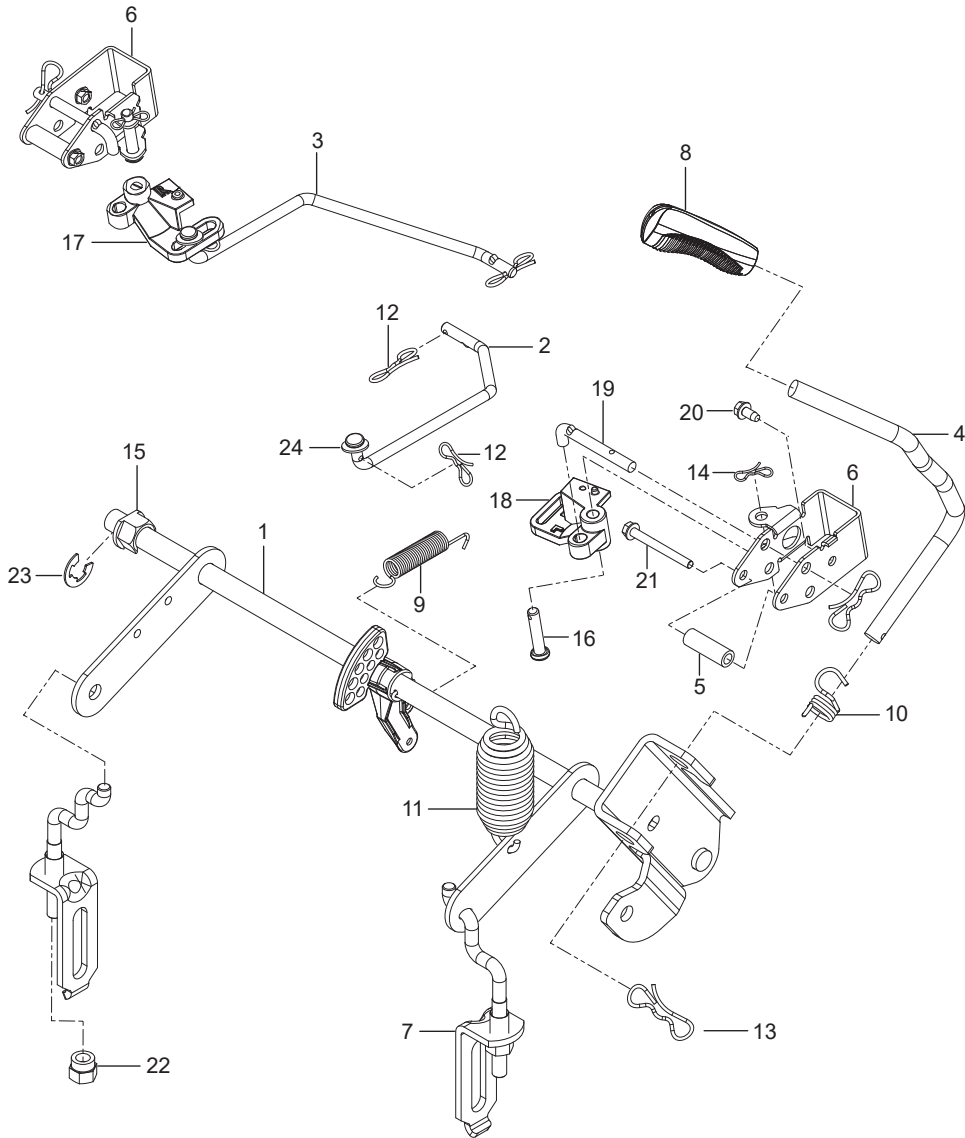
Ref.	Part No.	Qty	Description	Kit / Assy Includes
1	590 09 08-03	1	Lever w/ Grip Right Black	
2	590 09 08-04	1	Lever w/ Grip Left Black	
3	585 12 47-05	2	Bracket, Control	
4	539 13 15-18	4	Bearing, Flanged	
5	576 14 03-01	2	Control, Lever	
6	587 60 17-02	2	Lever, Handle	
7	584 92 72-01	2	Spacer, Pivot Control	
8	539 10 27-20	2	Dampener	
9	581 43 75-01	2	Block, Tracking	
10	585 83 16-01	2	Boot, Steering	
11	585 48 82-02	2	Flange, Boot	
12	588 60 49-01	2	Assy, Right Control Linkage	14
13	588 60 50-01	2	Assy, Left Control Linkage	14
14	532 19 98-49	2	Clip, Spring	
15	587 60 15-01	2	Switch, Interlock	
16	874 78 08-44	2	Bolt 1/2-13 x 2-3/4 Hex Head	
17	585 98 61-01	2	Screw, Shake Proof 1.25 Blk	
18	874 49 05-12	8	Bolt Hex Flange 5/16-18 x 3/4	
19	539 99 02-09	2	Bolt 5/16-18 x 1 Hex Head	
20	587 88 53-01	2	Screw 5/16-18 x 1-3/4 Button Head	
21	585 98 59-01	4	Screw 5/16-18 x 1-1/4 Button Head Black	
22	586 93 60-01	2	Screw #10-24 x 1/2 Socket Hd	
23	539 10 80-10	2	Nut 1/2-13 Hex Jam Nyloc Grade 2	
24	539 11 28-99	10	Nut 5/16-18 Hex Flange Nyloc	
25	585 98 60-01	4	Nut 5/16-18 Hex Nyloc Black	
26	539 99 05-85	4	Nut 5/16-18 Hex Whiz Lock	
27	873 80 05-00	4	Nut 5/16-18 Hex Nyloc	
28	819 11 11-16	4	Washer 11/32 16 Gauge	
29	587 61 42-01	2	Washer 11/32	



Ref.	Part No.	Qty	Description	Kit / Assy Includes
1	596 24 74-01	1	EZT, Left	
2	596 24 74-02	1	EZT, Right	
3	574 03 05-01	1	Rod, EZT Brake Left	
4	574 03 05-02	1	Rod, EZT Brake Right	
5	539 11 04-11	1	Belt, EZT	
6	585 47 44-01	1	Rod, Bypass Left	
7	585 47 45-01	1	Rod, Bypass Right	
8	586 66 51-01	2	Spring, Bypass	
9	539 11 03-42	2	Spring, Brake Rod	
10	539 12 00-80	2	Cog, Brake Disc	
11	539 12 00-79	2	Assembly Kit, Brake Arm	
13	501 40 36-02	2	Assembly Kit, Blade, Pulley	
14	510 18 41-04	2	Spacer Tube	
15	580 80 65-02	2	Support, EZT Front	
16	580 80 66-02	2	Mount, EZT Rear Black	
17	587 22 53-01	1	Clip	
18	539 97 69-88	4	Clip	
19	587 11 53-01	1	Pin, Clevis	
20	874 78 05-44	4	Bolt 5/16-18 x 2-3/4 Hex Head	
21	539 97 69-34	2	Bolt 5/16-18 x 3/4 Gr. 5 ZD	
22	874 78 05-36	2	Bolt 5/16-18 x 2-1/4 Hex Head	
23	539 99 06-37	4	Bolt 3/8-16 x 2-1/2 Gr. 5 ZD	
24	873 80 05-00	8	Nut 5/16-18 Hex Nyloc	
25	539 97 69-78	2	Nut 1/4-20 Hex Nyloc ZD	
26	819 11 11-16	16	Washer 5/16 SAE Flat	
27	539 99 01-18	4	Washer 3/8 SLW ZD	
28	819 13 13-16	8	Washer 3/8 SAE Flat	
29	819 09 10-16	4	Washer 1/4 SAE Flat	



Ref.	Part No.	Qty	Description	Kit / Assy Includes
1	585 52 28-02	1	Assembly, Fender, Right Gray	
2	586 62 12 02	1	Assembly, Fender, Left Gray	
3	589 92 47-02	1	Assembly, Fuel Tank	23, 24, 25
4	585 12 48-01	1	Cap, Fuel w/ Tether	
5	585 97 49-01	1	Cable, Throttle	
7	539 10 75-41	1	Switch, Ignition	
8	582 10 76-02	1	Switch, Blade PTO	
9	586 10 82-01	1	Cable, Battery Positive	
11	585 52 27-02	1	Panel, Control	
12	532 14 49-25	1	Battery	
13	510 03 00-03	1	Bracket, Battery	
14	582 60 96-02	1	Box, Battery Black	
15	532 13 15-63	3	Terminal Cover	
16	539 10 27-59	1	Terminal Cover	
17	576 61 81-01	1	Valve, Fuel Check	
18	539 91 63-25	1	Valve, Fuel	
19	586 12 39-04	1	Assembly, Fuel Line w/ Valve	18, 28, 29, 30
20	582 04 28-01	1	Solenoid	
21	587 19 86-01	1	Harness, Battery Cable	
22	587 04 45-29	1	Hose 3/16 x 29" Vapor	
23	532 00 36-45	1	Grommet, Rubber	
24	532 43 74-92	1	Grommet, Check Valve	
25	532 13 92-77	1	Elbow	
26	532 43 99-76	1	Plug, Dash SRVMNDR	
27	532 41 19-33	1	Key, Ignition	
28	532 12 34-87	4	Clamp, Hose	
29	587 04 48-03	1	Hose 1/4 x 3" Fuel	
30	587 04 48-10	1	Hose 1/4 x 10" Fuel	
31	588 83 94-01	2	J Hook	
32	532 14 18-41	2	Screw 10-16 x .65	
33	545 22 71-01	2	Screw 6-19 x 7/16 Pan Hd	
34	539 11 12-29	1	Screw 1/4-20 x 5/8 Button Socket	
35	539 99 03-16	2	Bolt 5/16-18 x 3/4 Gr. 5 ZD	
36	539 99 06-45	2	Bolt 3/8-16 x 1 Round Hd Square Neck	
37	817 49 04-08	2	Bolt 1/4-20 x 1/2	
38	521 99 65-01	2	Nut 3/8-16 Hex Flange Nyloc	
39	539 11 28-99	2	Nut 5/16-18 Flange Nyloc	
40	539 97 69-78	5	Nut 1/4-20 Hex Nyloc	
NOT SHOWN				
	586 33 73-01	1	Harness, Wiring	
	505 28 00-01	1	Tie Wrap 8-3/8" w/ Clip	



Ref.	Part No.	Qty	Description	Kit / Assy Includes
1	586 42 97-02	1	Assembly, Shaft	15, 23
2	586 45 71-01	1	Link, Brake Left	
3	586 45 72-01	1	Link, Brake Right	
4	586 42 87-01	1	Assembly, Lift Handle	8, 10, 13
5	580 48 61-01	2	Spacer	
6	585 68 21-02	2	Bracket, Bellcrank	
7	525 84 72-01	2	Assembly, Centering Link	22
8	580 96 23-01	1	Grip, Handle Black	
9	586 86 76-01	1	Spring	
10	532 19 63-14	1	Spring	
11	539 11 87-62	1	Spring	
12	587 22 53-01	4	Clip	
13	532 19 42-09	3	Clip	
14	532 19 42-08	2	Clip	
15	510 18 49-01	2	Nut, Plastic	
16	585 70 14-01	2	Pin 1/2 Clevis	
17	586 45 75-01	1	Bellcrank Right	
18	586 45 74-01	1	Bellcrank Left	
19	585 68 20-01	2	Pushrod	
20	532 13 77-29	2	Screw 1/4-20 x 5/8 Thread Roll	
21	586 56 13-01	2	Screw 1/4-20 x 2-1/4 Thread Roll	
22	532 17 59-94	2	Nut, Lift Link	
23	812 00 00-02	1	Washer, E-ring	
24	819 13 13-16	2	Washer 3/8 SAE Flat	