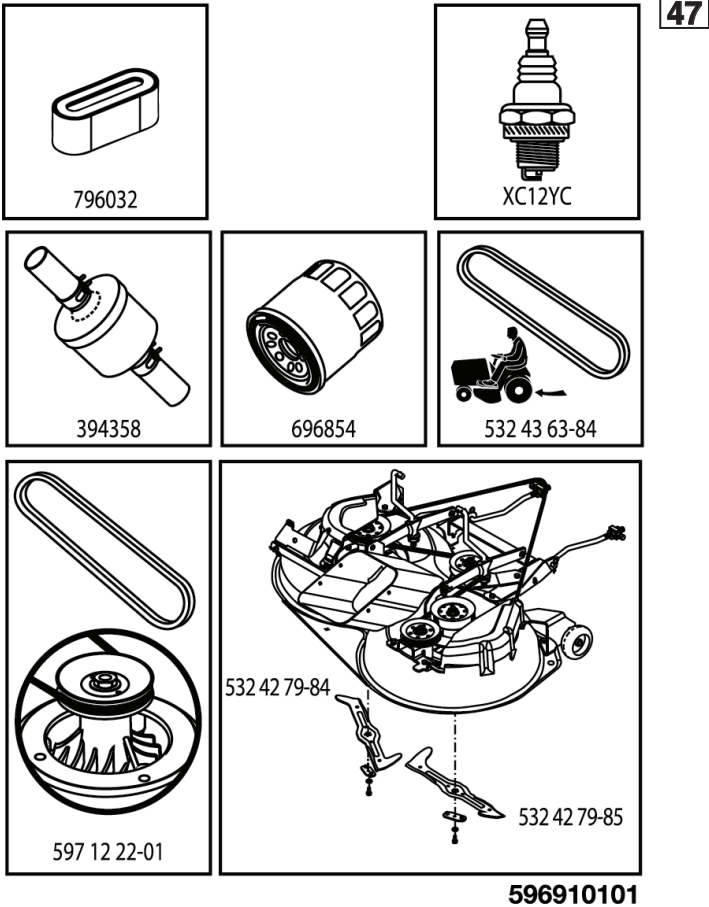


ILLUSTRATED PARTS LIST

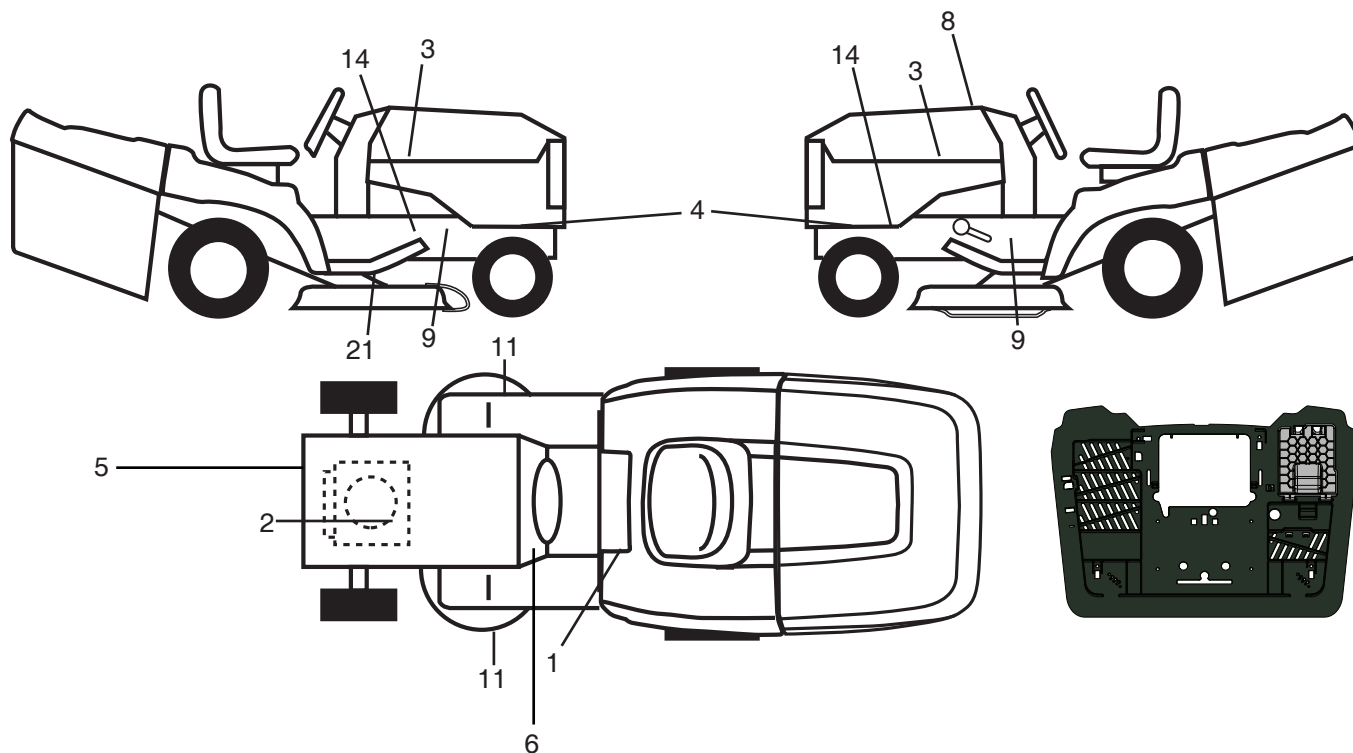
MODEL NO. 96051017800

CUSTOMER CATALOG NO. TC 138M

PRODUCT NO. 960 51 01-78



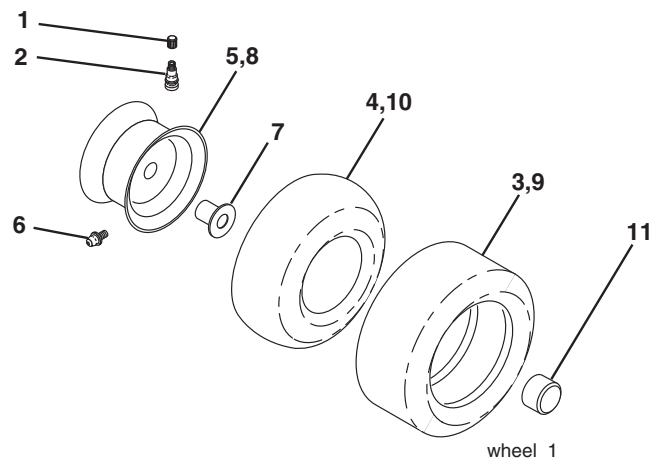
**TRACTOR -- MODEL NO. TC 138M (96051017800), PRODUCT NO. 960 51 01-78
DECALS 27**



KEY NO.	PART NO.	DESCRIPTION
1	581 57 83-01	Decal, Warning
2	581 57 97-01	Decal, Warning Eng. Sym.
3	501 13 14-01	Decal, Hood RH/LH
4	596 56 29-01	Decal, Side Panel
5	587 38 50-01	Decal, Engine
6	586 06 62-01	Decal, Snowflake
8	596 91 01-01	Decal, Replacement
9	581 57 98-01	Decal, Warning
11	581 57 91-01	Decal, Mower Cut Finger Symbol
14	581 57 96-01	Decal, Chassis Hot Muffler

KEY NO.	PART NO.	DESCRIPTION
21	592 98 02-01	Decal, Belt Sch CRD
--	532 44 27-44	Decal, Battery
--	532 44 18-02	Pad Footrest RH
--	532 44 14-09	Pad Footrest LH
--	588 82 14-01	Decal, Inst. Mulch Plug
--	114 10 55-20	Manual Operator's (Euro)
--	114 10 56-10	Manual Operator's (Scan)
--	114 10 57-50	Manual Operator's (E-Bloc)
--	114 10 58-40	Manual Operator's (Baltic)
--	114 11 87-53	Manual Operator's (Ukrainian)

WHEELS & TIRES



KEY NO.	PART NO.	DESCRIPTION
1	532 05 91-92	Cap Valve Tire
2	532 06 51-39	Stem Valve
3	532 10 62-22	Tire Front 15 x 6-6
4	532 05 99-04	Tube Inner Front #35060
5	532 13 83-36	Rim Asm 6" Front
6	532 00 02-78	Fitting Grease
7	532 00 90-40	Bearing Flange
8	532 13 83-37	Rim Asm 8" Rear
9	532 12 46-35	Tire Rear 18 x 8.5-8
10	532 00 71-52	Tube Rear 9.5 x 8
11	532 17 50-39	Cap Axle
--	532 14 43-34	Sealant, Tire (10 oz. Tube)

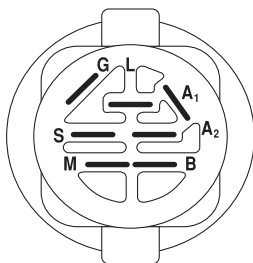
NOTE: All component dimensions given in U.S. inches
1 inch = 25.4 mm

TRACTOR - - MODEL NO. TC 138M (96051017800), PRODUCT NO. 960 51 01-78

SCHEMATIC **38**

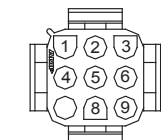
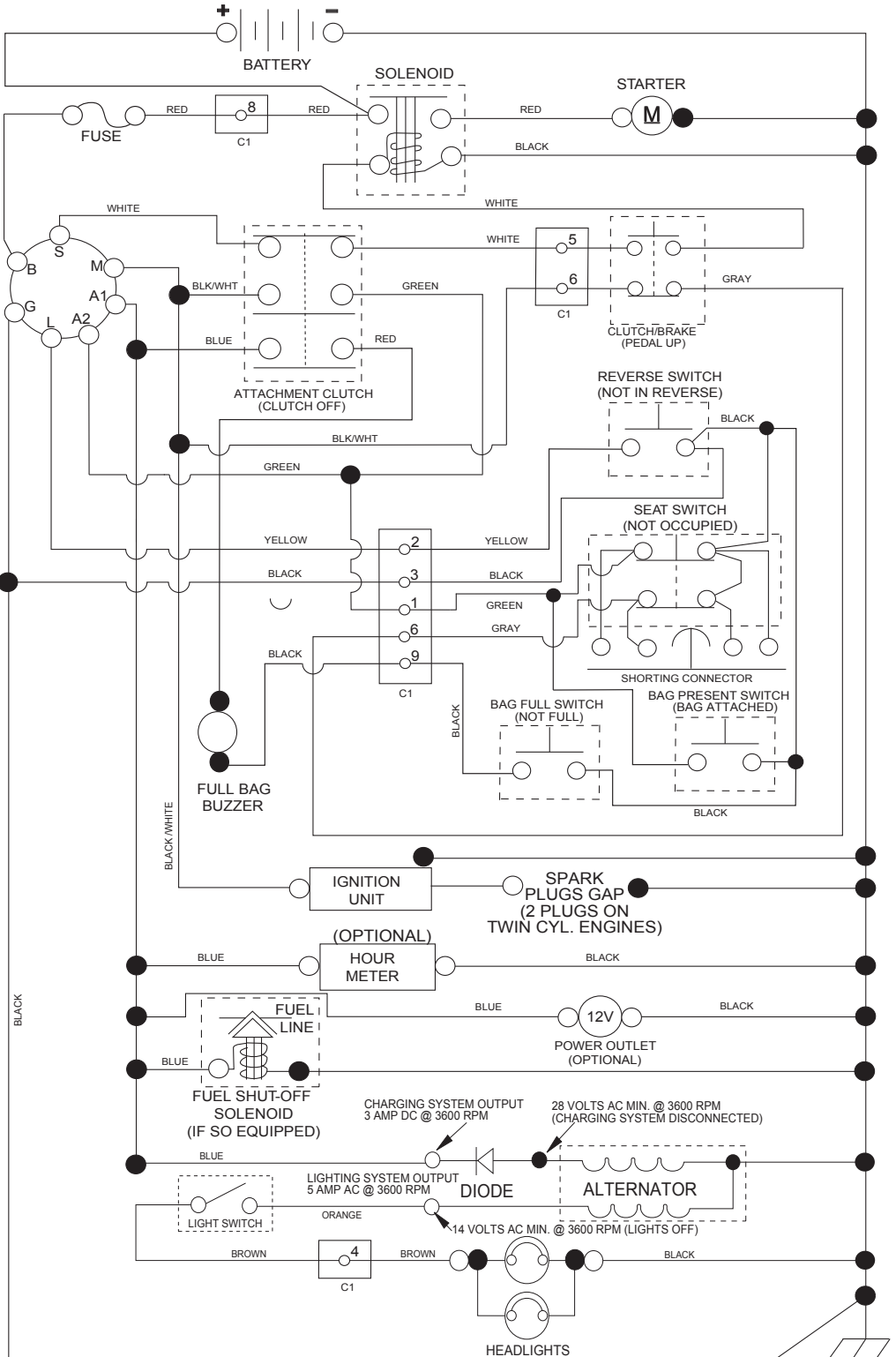
SCH17

NOTE
 YOUR TRACTOR IS EQUIPPED WITH A SPECIAL ALTERNATOR SYSTEM. THE LIGHTS ARE NOT CONNECTED TO THE BATTERY, BUT HAVE THEIR OWN ELECTRICAL SOURCE. BECAUSE OF THIS, THE BRIGHTNESS OF THE LIGHTS WILL CHANGE WITH ENGINE SPEED. AT IDLE THE LIGHTS WILL DIM. AS THE ENGINE SPEED IS INCREASED, THE LIGHTS WILL BECOME THEIR BRIGHTEST.

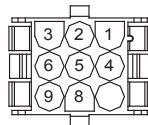


IGNITION SWITCH

POSITION	CIRCUIT	"MAKE"
OFF	M+G+A1	
RUN/OVERRIDE	B+A1	
RUN	B+A1	L+A2
START	B+S+A1	



CHASSIS HARNESS CONNECTOR (C1) (MATING SIDE)



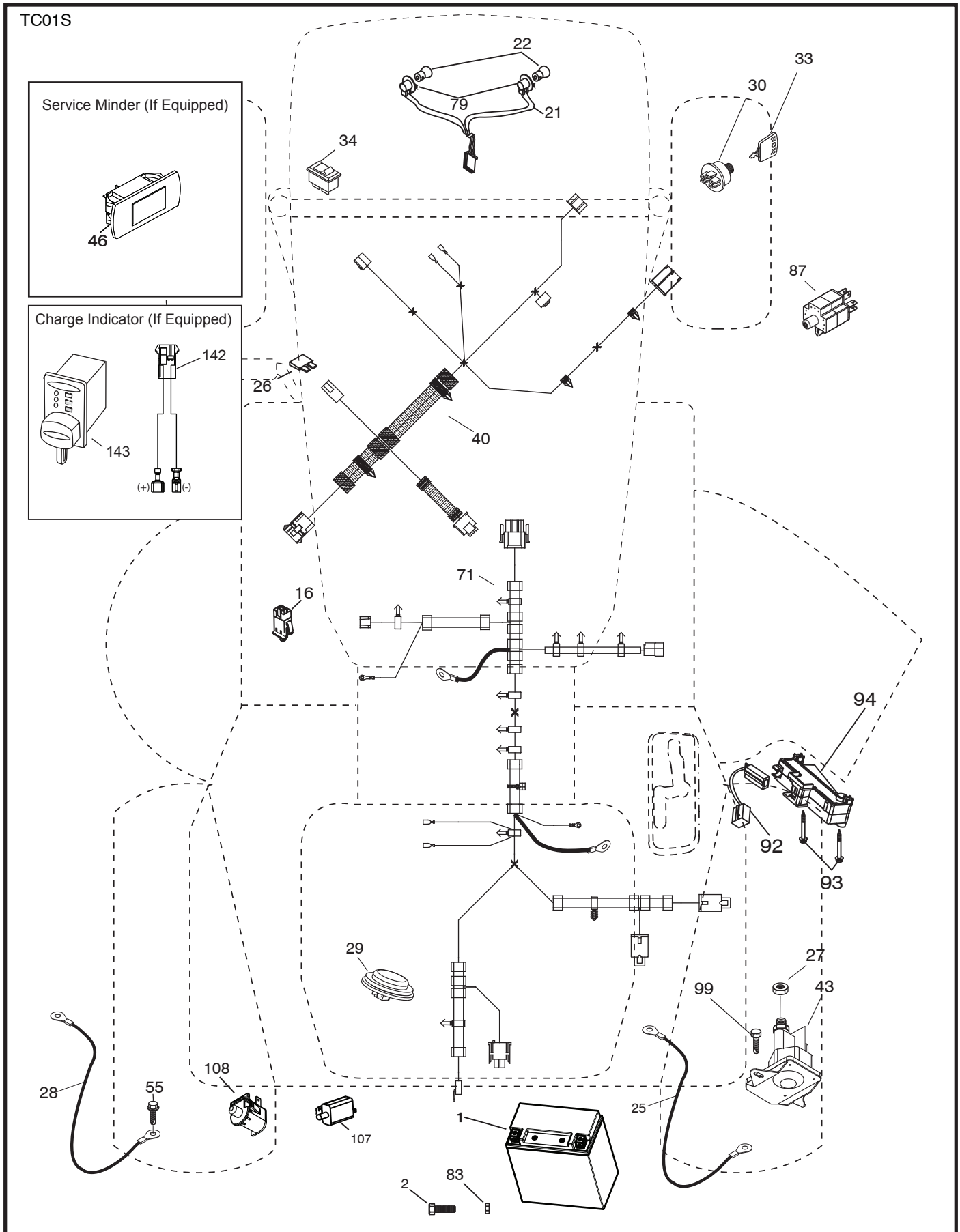
DASH HARNESS CONNECTOR (C1) (MATING SIDE)

WIRING INSULATED CLIPS
 NOTE: IF WIRING INSULATED CLIPS WERE REMOVED FOR SERVICING OF UNIT, THEY SHOULD BE RE-INSTALLED TO PROPERLY SECURE YOUR WIRING.

●
 NON-REMOVABLE CONNECTIONS

○
 REMOVABLE CONNECTIONS

TRACTOR - - MODEL NO. TC 138M (96051017800), PRODUCT NO. 960 51 01-78
ELECTRICAL 32



**TRACTOR - - MODEL NO. TC 138M (96051017800), PRODUCT NO. 960 51 01-78
ELECTRICAL 32**

KEY NO.	PART NO.	DESCRIPTION
1	532 43 71-57	Battery
2	532 44 09-23	Screw Hex Hd Cap M6 x 1.12mm
16	532 17 61-38	Switch Interlock
21	532 40 02-52	Harness Asm Light w/4152J
22	532 00 41-52	Bulb Light #1156
25	581 48 98-01	Cable Battery Red
26	532 17 51-58	Fuse
27	873 51 04-00	Nut Keps Hex 1/4-20 unc
28	581 48 98-02	Cable Ground Black
29	532 40 15-45	Switch Seat
30	532 19 33-50	Switch Ignition
33	532 41 19-35	Key/Chain
34	532 11 07-12	Switch Light
40	585 84 99-01	Harness Ignition Dash
43	582 04 28-01	Solenoid
46	594 91 91-01	Hourmeter, Servminder
55	817 06 05-12	Screw 5/16-18 x 3/4
71	585 84 97-01	Harness Chassis
79	532 17 52-42	Socket Asm.
83	532 43 67-74	Nut Square M6 x 1 x 8.5 x 11mm
87	532 42 10-60	Switch Railmount
92	532 19 66-15	Harness Pigtail
93	532 19 25-40	Screw Plastic 10-14 x 2.0
94	532 19 18-34	Module Reverse ROS
99	817 00 05-12	Screw 5/16-18 x 3/4
107	532 18 03-79	Switch Full Bagger Indicator
108	532 42 10-62	Switch Snapmount

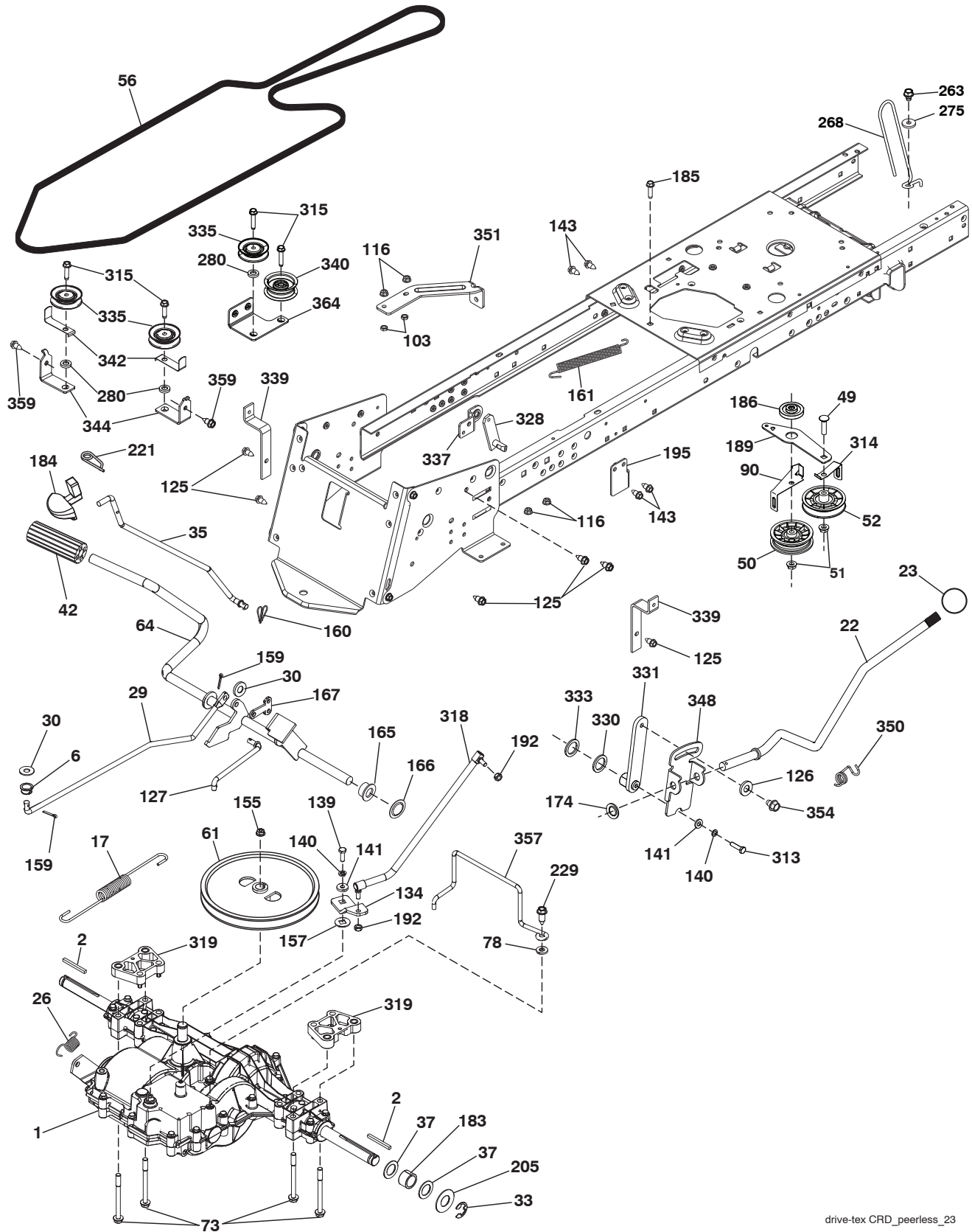
NOTE: All component dimensions given in U.S. inches
1 inch = 25.4 mm

**TRACTOR - - MODEL NO. TC 138M (96051017800), PRODUCT NO. 960 51 01-78
CHASSIS AND ENCLOSURES **39****

KEY NO.	PART NO.	DESCRIPTION	KEY NO.	PART NO.	DESCRIPTION
3	581 05 63-01	Logo	214	532 19 91-45	Clip Retainer
5	585 52 98-05	Dash	217	532 40 91-67	Rod Pivot Hood
14	532 44 12-67	Hood	218	532 19 63-95	X-Piece Hood Stop
15	532 44 14-28	Lens LH	228	532 19 51-61	Stud Fastener
18	532 44 13-68	Grille	235	532 40 61-29	Spacer Fender
25	532 44 14-27	Lens RH	236	873 93 05 00	Nut Center Lock 5/16-18 unc
34	580 91 09-01	Plate Engine	238	532 44 13-74	Trim
36	817 06 05-12	Screw 5/16-18 x 3/4	239	532 40 48-83	Clip Tinnerman
37	532 44 13-69	Fender	282	532 41 41-10	Clip Retainer
52	873 68 05-00	Nut Crownlock 5/16-18	283	532 44 05-31	Console Deck Lift
62	872 11 06-08	Bolt 3/8-16 x 1 Gr. 5	284	532 44 08-59	Console Shift RH
68	539 99 08-58	Screw Thdrol. 5/16-18 x 1/2	287	817 60 04-06	Screw Hex Washhead. 1/4-20 x 3/8
118	819 13 13-16	Washer 13/32 x 13/16 x 16	297	532 40 66-65	Insert Reflective LH
119	873 68 06-00	Nut Crown Lock	303	589 00 76-02	Shield LH
130	532 41 63-58	Screw #10 x .750 BOS Thread	304	589 41 27-02	Shield RH
137	532 40 75-90	Bumper Dash	307	587 52 74-01	Shield Upper RH
150	532 40 66-62	Air Duct	308	532 17 18-77	Bolt 5/16-18 unc x 3/4
151	532 40 78-07	Bracket Pivot	309	501 18 83-01	Backplate
152	532 19 95-35	Shield Browning	310	532 44 66-36	Bracket Hangbar Bag LH
159	817 00 06-12	Screw 3/8-16 x 3/4	311	532 44 66-37	Bracket Hangbar Bag RH
162	532 14 24-32	Screw Hex Wsh. Hi-Lo 1/4 x 1/2 unc	319	532 17 46-62	Bracket Actuator Bagger
175	532 19 94-72	Crossmember	334	532 44 25-37	Bracket Engine
176	532 40 07-76	Screw 10-24 x 5/8	338	594 09 39-01	Bolt, Shoulder 5/16-18 x .88
177	532 19 52-28	Bushing Steering	339	532 43 66-41	Lever Bagger Full
180	581 18 71-01	Chassis	340	532 44 09-31	Door Battery Tray
182	532 40 71-76	Dash Lower	341	582 06 08-01	Latch Batter Tray
183	874 52 05-20	Bolt 5/16-18 x 1-1/4	342	582 82 68-02	Support Fender
184	587 63 36-01	Plug End	343	532 44 07-49	Clip
189	817 00 05-12	Screw 5/16-18 x 3/4	371	587 49 45-01	Shield Upper
191	532 41 65-01	Insert Reflective RH	375	586 90 82-01	Dash Clip-On Bumper
194	873 90 05-00	Nut Lock Hex Flange 5/16-18	376	589 45 87-01	Mount Asm Hush Upper Strng
199	532 41 87-39	Plate Deck Lift	377	589 45 53-01	Screw 10 x 1/2 ZN PL Phil
202	532 44 13-42	Vent Side Hood RH			
203	532 44 13-43	Vent Side Hood LH			
204	532 44 13-75	Vent Top Hood			
205	532 44 13-44	Skirt Side RH			
206	532 44 13-45	Skirt Side LH			
213	539 97 69-34	HCS 5/16-18 x 3/4 Gr. 5 ZD			

NOTE: All component dimensions given in U.S. inches
1 inch = 25.4 mm

TRACTOR - - MODEL NO. TC 138M (96051017800), PRODUCT NO. 960 51 01-78
DRIVE **40**



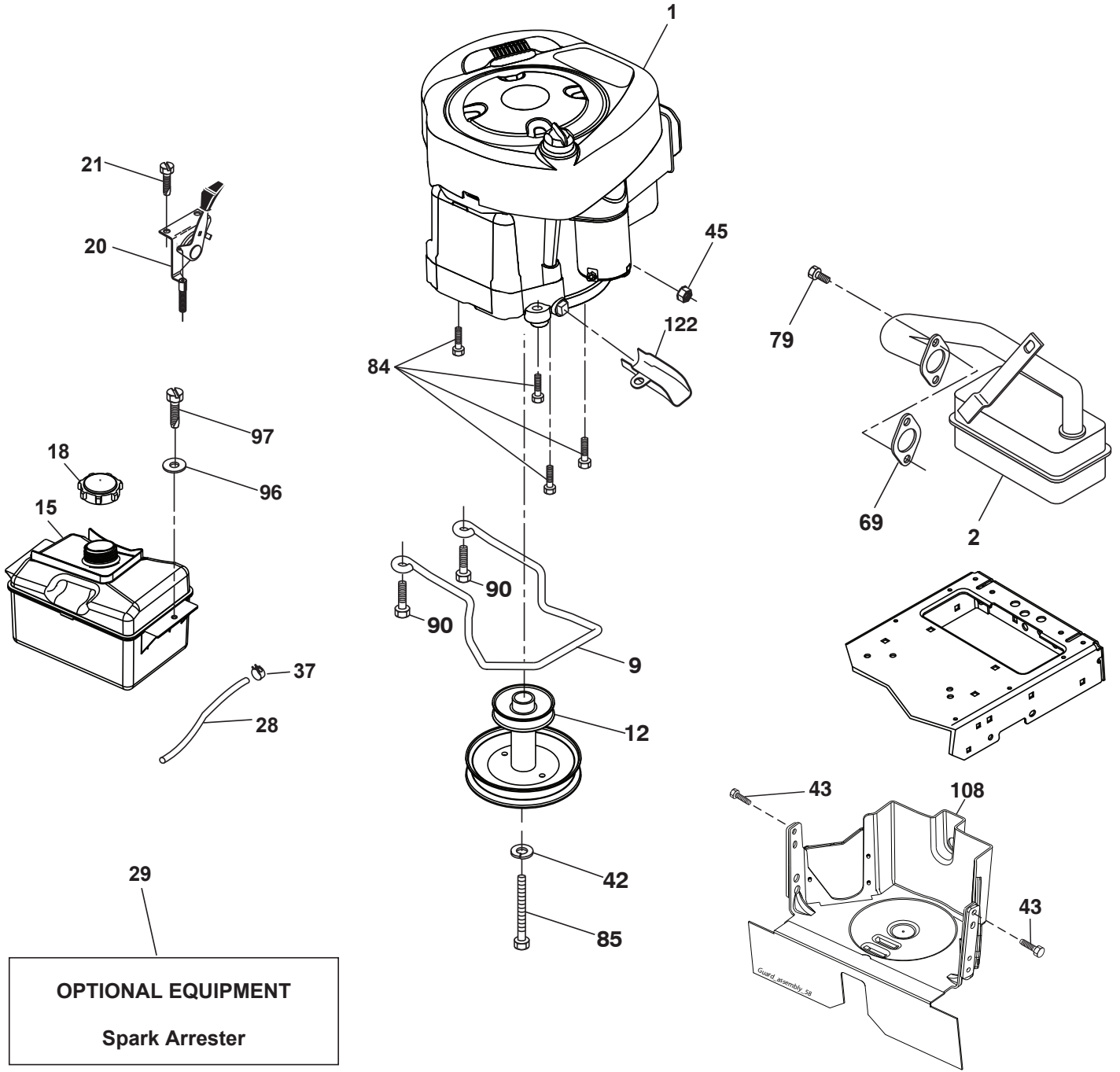
drive-tex CRD_peerless_23

**TRACTOR - - MODEL NO. TC 138M (96051017800), PRODUCT NO. 960 51 01-78
DRIVE **40****

KEY NO.	PART NO.	DESCRIPTION	KEY NO.	PART NO.	DESCRIPTION
1	---	Transaxle, Peerless 206-578 (436815) (Order parts from trans-axle manufacturer.)	167	532 40 52-57	Latch Brake Parking
2	532 12 35-83	Key Square	174	532 19 72-89	Nut Push
6	532 12 40-28	Bushing	183	532 13 70-57	Spacer Axle
17	532 44 08-67	Spring, Brake	184	532 41 14-84	Knob
22	532 44 32-46	Rod Shift CRD Tex	185	872 11 06-22	Bolt
23	532 12 12-74	Knob	186	532 19 43-21	Spacer Retainer
26	532 14 66-82	Spring Brake Return	189	532 43 36-11	Bellcrank Ground Drive
29	532 43 70-16	Rod, Brake	192	532 15 03-60	Nut Lock Center 1/4-28 Fnthd.
30	819 13 16-16	Washer	195	580 45 69-01	Bracket Brake Rod
33	812 00 00-01	Ring E	205	532 12 17-48	Washer 25/32 x 1-5/8 16 Ga.
35	532 40 10-31	Rod, Brake, Park	221	532 40 31-87	Retaining Spring
37	532 12 17-49	Washer 25/32 x 1 1/4 x 16 Ga.	229	817 06 05-16	Screw
42	532 00 88-83	Cover, Foot Pedal	263	817 00 06-12	Screw Hexwsh Thdr 3/8-16 x 3/4
49	872 11 06-14	Bolt	268	532 18 24-02	Guard Muffler
50	532 19 43-27	Idler Flat	275	819 13 16-14	Washer 13/32 x 1 x 14 Ga.
51	873 90 06-00	Lock Nut 3/8-16	280	819 11 10-12	Washer
52	532 19 43-26	Pulley Idler V Groove Plastic	313	874 78 04-16	Bolt
56	532 43 63-84	V-Belt, Drive	314	532 44 47-13	Retainer, Belt Style Spring
61	532 16 59-99	Pulley Transaxle	315	817 58 05-20	Screw Thdrol 5/16-18 x 4.25
64	532 19 62-00	Shaft Asm. Pedal Brake Control	318	532 43 70-22	Link Shift Gear
73	874 49 05-60	Bolt Hex 5/16-18 x 3.75	319	532 43 67-94	Spacer Transaxle Tex CRD
78	819 11 12-12	Washer 11/32 x 3/4 x 12 Ga.	328	532 43 79-58	Shaft Shift Front
90	532 44 36-05	Keeper Belt Clutching	330	532 16 95-93	Washer Nylon
103	873 35 05-00	Nut	331	532 44 36-06	Hub Shift
116	873 90 05-00	Nut Lock Hex Flange 5/16-18	333	532 17 08-68	Wave Spring Washer
125	817 00 05-12	Screw 5/16-18 x 3/4	335	532 19 95-34	Pulley V-Idler
126	532 16 60-02	Washer Srrtd 5/16 ID x 1.0 x .125	337	532 43 59-37	Bracket Supt Shift CRD Tex
127	582 21 70-01	Link Clutch Ground Drive, Long	339	532 43 68-67	Strap Torue K46 CRD Tex
134	532 14 50-90	Asm. Shift	340	532 43 68-12	Idler Flat
139	874 55 04-12	Bolt 1/4-28 unf Gr. 8 w/Patch	342	532 18 26-82	Keeper Belt
140	810 04 04-00	Washer Lock Hvy. Helical 1/4	344	532 43 56-45	Bracket Idler CRD Tex
141	819 09 12-10	Washer 9/32 x 3/4 x 10 Ga.	348	532 44 36-07	Bracket Pivot Lever
143	539 99 08-58	Screw Thdrol 5/16-18 x 1/2 TYTT	350	532 44 50-20	Spring Torsion Shift
155	812 00 00-28	Ring Retainer	351	532 43 69-98	Bracket
157	532 10 57-01	Washer Plate Shift	354	817 49 05-10	Screw
159	876 02 04-12	Cotter Pin	357	532 44 13-38	Belt Keeper
160	532 16 94-84	Retainer Clip	359	817 49 06-10	Screw Hxwsh Thdr 3/8-16 x 5/8
161	532 10 57-09	Spring, Return, Clutch	364	532 44 30-32	Bracket
165	532 19 62-12	Bushing Shaft Brake Hand Control			
166	532 42 91-64	Nut Push .625			

NOTE: All component dimensions given in U.S. inches
1 inch = 25.4 mm

**TRACTOR - - MODEL NO. TC 138M (96051017800), PRODUCT NO. 960 51 01-78
ENGINE 24**



OPTIONAL EQUIPMENT
Spark Arrester

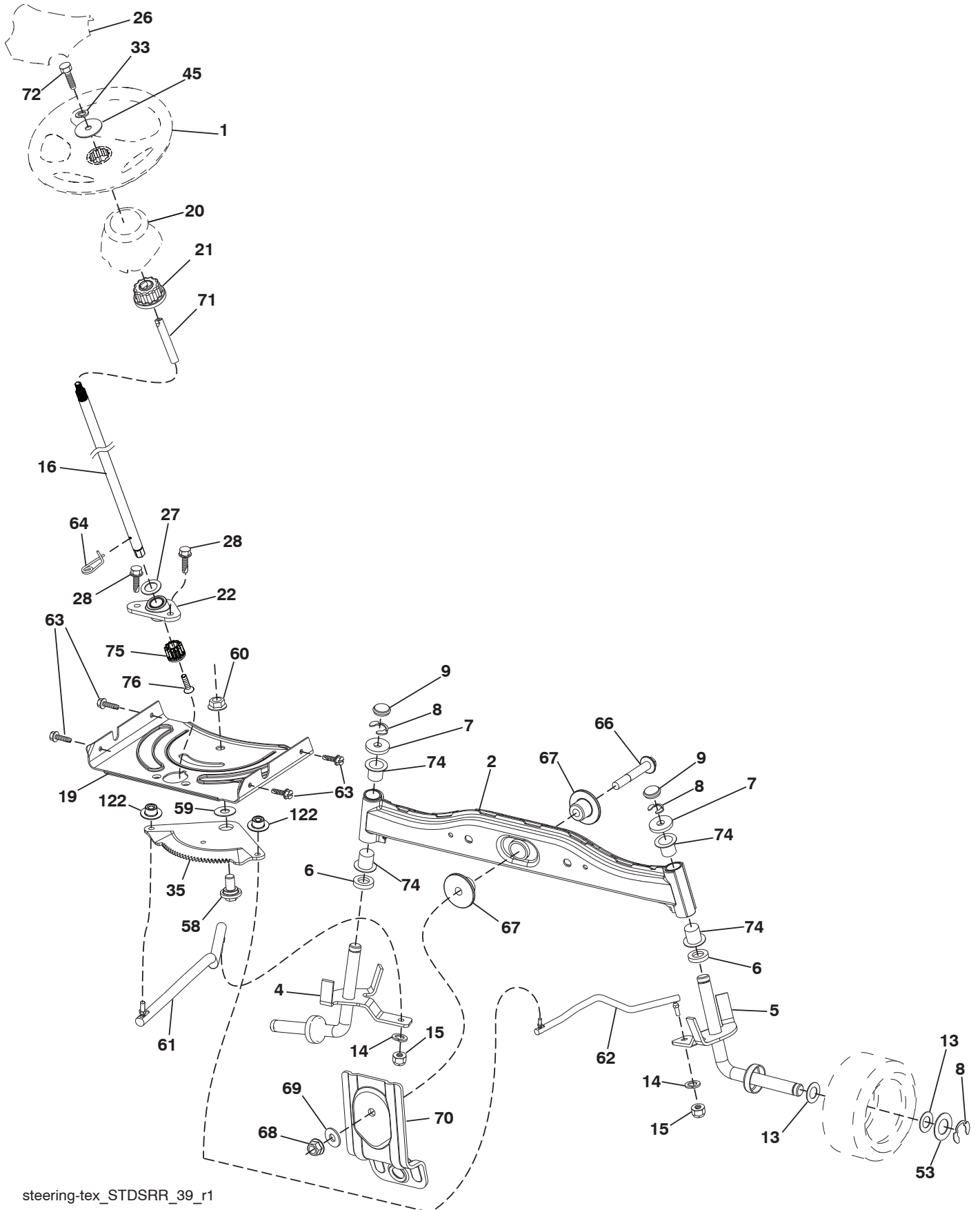
engine-tex_BS_137

**TRACTOR - - MODEL NO. TC 138M (96051017800), PRODUCT NO. 960 51 01-78
ENGINE 24**

KEY NO.	PART NO.	DESCRIPTION
1	- - - - -	Engine B&S Model 21R707-0147-B1 (596944301) (Order parts from engine manufacturer.)
2	532 17 97-58	Muffler
9	501 83 26-02	Keeper Belt Engine
12	586 47 85-01	Pulley Engine
15	581 28 99-01	Tank Fuel 1.5
18	532 43 02-20	Cap Fuel
20	587 24 26-01	Control Throttle
21	532 41 63-58	Screw #10 x 0.750 BOS Thread
28	532 13 70-40	Fuel Line
29	532 13 71-80	Spark Arrester Kit
37	532 12 34-87	Clamp Hose
42	539 99 02-47	Lock SLW STD 7/16
43	817 06 05-16	Screw 5/16-18 x 1
45	873 51 04-00	Nut Hexagon Flange Serrated
69	532 16 52-91	Gasket
79	532 19 23-34	Screw Socket HD 5/16-18 x .75
84	817 06 06-20	Screw 3/8-16 x 1-1/4
85	501 60 65-01	Bolt Hex 7/16-20 x 4 x Gr. 5-1.5 Thr
90	817 00 06-16	Screw 3/8-16 x 1
96	819 09 14-16	Washer 9/32 x 7/8 x 16 Ga.
97	817 67 04-12	Screw 1/4-20 x 3/4
108	587 17 95-10	Cover Pulley Engine w/SHLD
122	532 42 19-22	Extension Drain Oil

NOTE: All component dimensions given in U.S. inches
1 inch = 25.4 mm

TRACTOR - - MODEL NO. TC 138M (96051017800), PRODUCT NO. 960 51 01-78
STEERING ASSEMBLY **41**



steering-tex_STDSRR_39_r1

TRACTOR - - MODEL NO. TC 138M (96051017800), PRODUCT NO. 960 51 01-78
STEERING ASSEMBLY 41

KEY NO.	PART NO.	DESCRIPTION
1	532 43 99-97	Wheel, Steering
2	532 41 81-68	Axle Asm.
4	532 40 30-87	Spindle Asm., LH
5	532 40 30-88	Spindle Asm., RH
6	532 00 62-66	Washer, Thrust .75 x 1.230
7	532 12 17-48	Washer 25/32 x 1-5/8 x 16 Ga.
8	812 00 00-29	Ring, Klip #T5304-75
9	532 12 12-32	Cap, Spindle
13	532 12 17-49	Washer 25/32 x 1-1/4 x 16 Ga.
14	539 99 01-18	Washer, SLW ZD 3/8
15	873 54 06-00	Nut, Crown Lock 3/8-24 unf
16	585 86 92-02	Steering Shaft
19	532 19 47-29	Plate Steering
20	532 44 14-25	Boot, Steering
21	532 18 67-37	Adapter, Wheel Steering
22	585 02 98-02	Bearing
26	532 43 97-43	Insert, Wheel Steering
27	819 21 16-16	Washer 21 x 32 x 1 x 16 Ga.
28	817 00 06-12	Screw 3/8-16 x 3/4
33	539 99 01-87	Washer Lock 5/16
35	532 19 47-32	Gear, Sector Plate
45	819 11 38-12	Washer 11/32 x 3/8 x 12 Ga.
53	532 18 89-67	Washer Hardened .793 x 1.637 x .060
58	532 19 47-47	Bolt Shoulder Sector Pivot CFM
59	532 19 47-48	Washer Thrust Sector Steering
60	873 97 10-00	Nut Flange Lock 5/8-11
61	532 19 47-40	Draglink, LH
62	532 19 47-41	Draglink, RH
63	817 00 05-12	Screw 5/16-18 x 3/4
64	532 19 98-49	Retainer Clip Spring Steering
66	871 02 07-48	Bolt Hex Fghd 7/16-14 x 3 Serr
67	532 19 47-37	Bushing PM Front Axle
68	873 90 07-00	Nut Lock Flange 7/16-14 Gr. 5
69	532 19 91-62	Washer 1.5 x .505 x .118
70	585 33 88-01	Bracket Deck Susp. Front
71	532 19 07-52	Shaft Extension Steering
72	532 42 89-82	Bolt Fin Hx 5/16-18 x 4
74	532 00 33-66	Bearing
75	580 68 37-01	Pinion
76	580 68 36-01	Screw Head Sock
122	532 44 49-62	Cap Gear Sector

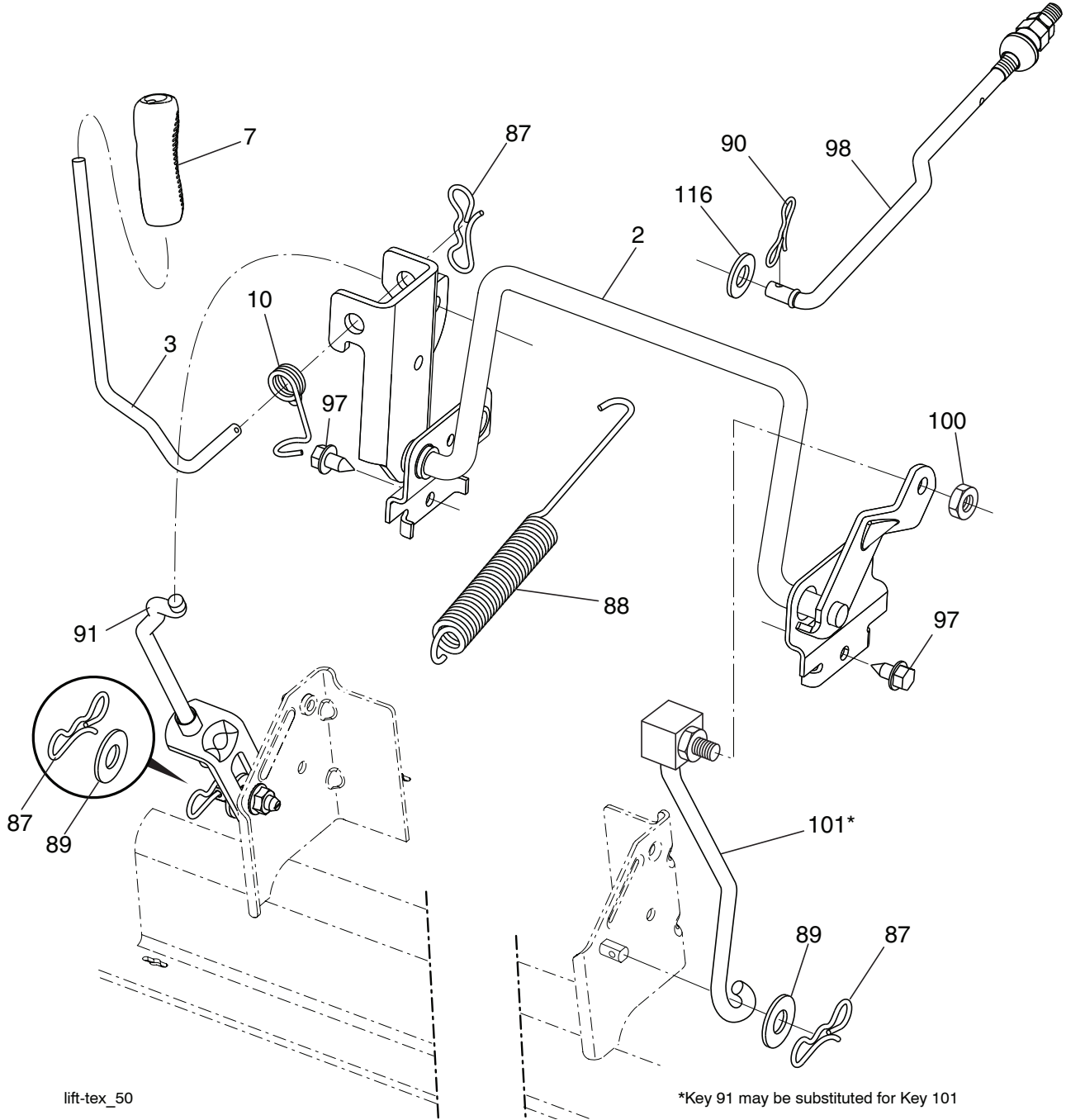
NOTE: All component dimensions given in U.S. inches
1 inch = 25.4 mm

TRACTOR - - MODEL NO. TC 138M (96051017800), PRODUCT NO. 960 51 01-78
MOWER DECK 44

KEY NO.	PART NO.	DESCRIPTION	KEY NO.	PART NO.	DESCRIPTION
1	592 97 00-01	Kit SVC Deck Weldment	86	532 18 17-13	Bolt 3/8-24 x 1.50
2	532 42 30-62	Palnut 1/4	87	539 99 01-18	Washer Lock
3	873 90 05-00	Nut 5/16 - 18	88	532 14 02-96	Washer Hard Blade
4	872 11 05-10	Bolt Carr 5/16-18 x 1-1/4 Gr. 5	89	532 43 81-24	Arm Brake
5	817 00 05-10	Bolt 5/16-18	90	532 19 90-92	Spacer Retainer
7	532 41 63-58	Screw #10	91	819 12 14-14	Washer 5/16 Flat Ste Std ZD
9	585 69 13-01	Nut Hex Flg Nylock	92	592 85 57-01	Rod Brake 97 CRD Link
10	817 00 06-16	Screw 3/8-16 x 1	93	592 85 49-02	Arm Brake
11	532 13 77-29	Screw 1/4-20 x 5/8	94	532 19 72-50	Bracket Clutch Cable
12	539 11 28-99	Nut 5/16-18 Hex Flange Nyloc	95	817 00 06-12	Screw Hexwsh 3/8-16 x 3/4
13	872 11 06-12	Bolt 3/8-16 x 1-1/2	96	532 40 02-71	Spacer
14	532 15 60-85	Keeper Belt Idler	97	532 18 20-61	Shield Idler Mower
15	592 85 47-02	CRD Idler Arm Mount Bracket	98	532 19 51-61	Stud Fastener
16	873 90 06-00	Nut 3/8-16	99	532 19 51-86	Arm Suspension
17	532 40 02-34	Nut	100	532 19 65-39	Bolt Shoulder
18	532 18 76-90	Washer Spacer Mandrel	103	532 43 69-92	Guard Front Vent
19	585 32 39-01	Bearing Mandrel	104	592 84 81-01	Mandrel Cover RH
21	532 17 85-15	Washer Flat Hardened	105	532 43 87-44	Mandrel Cover LH
23	817 49 06-28	Screw 3/8-16 x 1-3/4	106	532 19 32-16	Spring Brake Return
27	597 12 22-01	Belt 97 Manual	118	592 85 48-02	Arm Clutching
28	592 85 56-02	Keeper 97 CRD Angled Idler	120	532 19 72-59	Keeper Belt Engine RH
33	532 18 72-81	Housing Mandrel	122	532 16 57-23	Retainer Spring
34	587 25 65-01	Shaft Asm	123	872 11 06-10	Carriage Bolt 3/8-16 x 1.25
35	532 42 79-84	Blade	127	532 19 34-06	Bolt 3/8-16 x 3-5/8
36	532 00 44-97	Retainer Spring	128	589 52 73-01	Wheel Gauge Rally
37	819 13 13-16	Washer 13/32 x 13/16 Ga.	129	532 40 48-51	Rod Anti-Sway
40	532 19 72-58	Keeper Belt Engine LH	130	819 13 13-12	Washer 13/32 x 13/16 x 12 Ga.
41	584 95 39-01	Bolt Hex Wshrd .313-18 x 1.19	131	532 19 42-08	Pin Cotter 5/16 Bow Tie Lock
43	532 19 74-73	Pulley Mandrel	132	532 17 88-99	Knob Handle 3/8-16
44	532 19 95-34	Pulley V-Idler Grnd Dr Plated	136	532 43 96-39	Washout Port Hookup
47	584 30 93-01	Screw LH Blade 7/16 x 1	137	812 00 00-29	Ring Klip
49	532 12 87-74	Housing Mandrel	138	532 44 07-43	Hose 3/8 Long 12"
50	532 16 54-82	Shaft Asm.	139	532 44 07-42	Hose 3/8 Clamp
52	595 09 80-03	Bracket V-Idler Bolt Center	140	501 57 94-01	Guard Asm. LH
53	595 09 81-03	Bracket V-Idler Bolt Angled	141	501 57 93-02	Guard Asm. RH
67	532 40 30-12	Handle Clutch Cable	152	532 44 04-88	Cable Clutch Manual W/Spring
70	532 40 12-46	Clutch Asm Manual	159	872 14 06-14	Bolt RDHD SQN 3/8-16 unc 1-3/4
72	582 03 56-01	Chute Upper	160	532 16 89-37	Nut Push
75	532 17 34-38	Pulley Idler Flat	--	587 25 33-01	Mandrel Assembly
76	532 43 96-40	Washout Port	--	596 55 13-01	Replacement Mower Complete
78	532 17 39-02	Pulley Idler V-Gr Plated 4.25			
80	539 99 03-16	Carriage Bolt 5/16-18 3/4			
84	589 67 61-02	Keeper Belt Mandrel			
85	532 42 79-85	Blade			

NOTE: All component dimensions given in U.S. inches
1 inch = 25.4 mm

TRACTOR - - MODEL NO. TC 138M (96051017800), PRODUCT NO. 960 51 01-78
MOWER LIFT 45



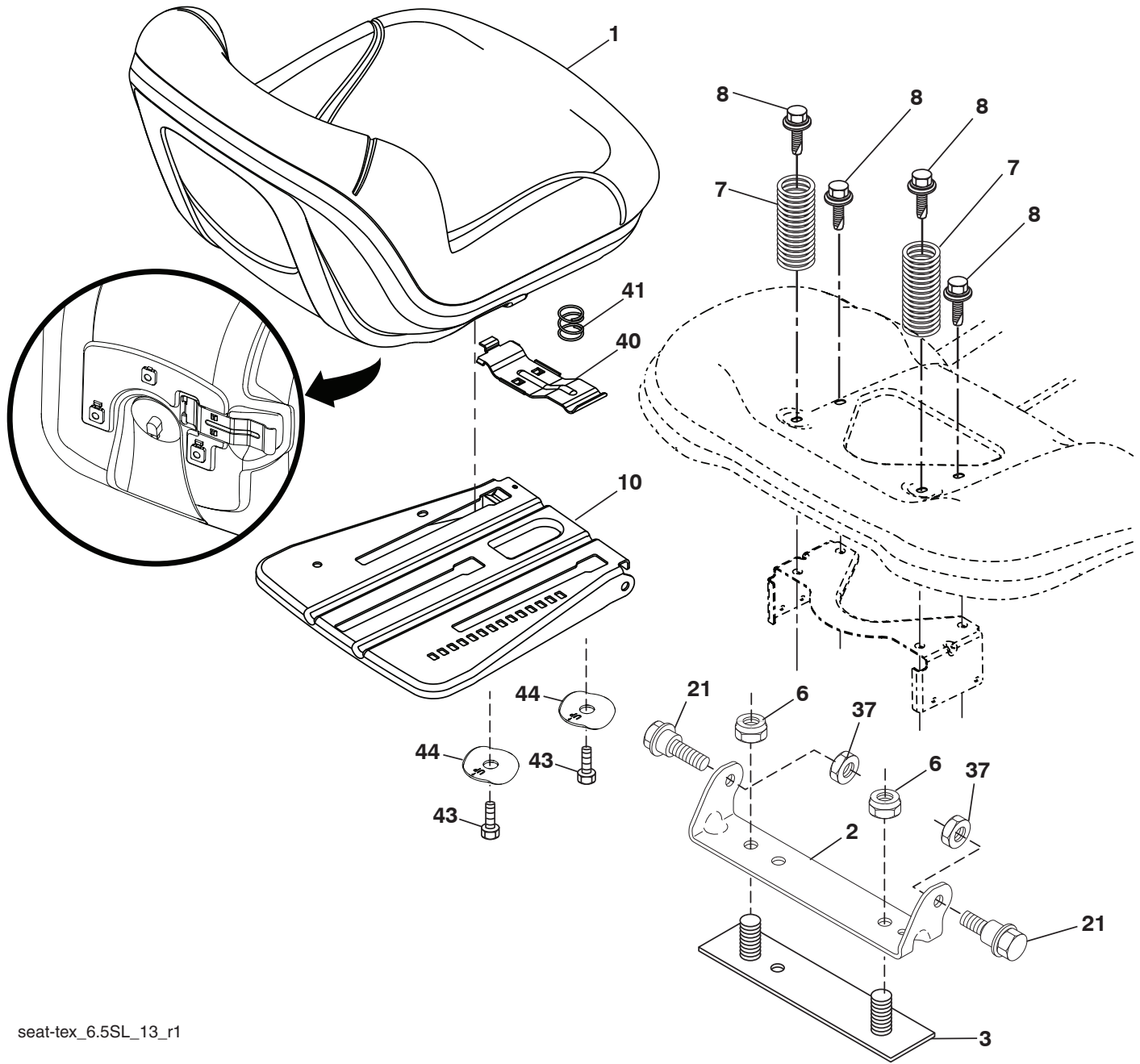
lift-tex_50

KEY NO.	PART NO.	DESCRIPTION
2	532 43 69-96	Deck Lift
3	532 19 52-31	Lever Asm., Lift RH
7	580 96 23-01	Grip, Lever
10	532 19 63-14	Spring Torsion
87	532 19 42-09	Pin Cotter 7/16 Bow Tie Lock
88	532 43 69-95	Spring Lift Assist
89	819 19 19-12	Washer 17/32 x 1-3/16 x 12 Ga.
90	532 19 42-08	Pin Cotter 5/16 Bow Tie Lock
91	532 19 51-81	Link Lift Susp Mower Rear

KEY NO.	PART NO.	DESCRIPTION
97	817 49 06-08	Screw 3/8-16 x 1/2
98	532 19 52-70	Link Lift Susp. Front Mower
100	873 93 06-00	Nut Centerlock
101	532 40 70-03	Link Asm. Lift
116	594 97 65-01	Washer 15/32 x 15/16 x .065

NOTE: All component dimensions given in U.S. inches
 1 inch = 25.4 mm

**TRACTOR - - MODEL NO. TC 138M (96051017800), PRODUCT NO. 960 51 01-78
SEAT ASSEMBLY 42**



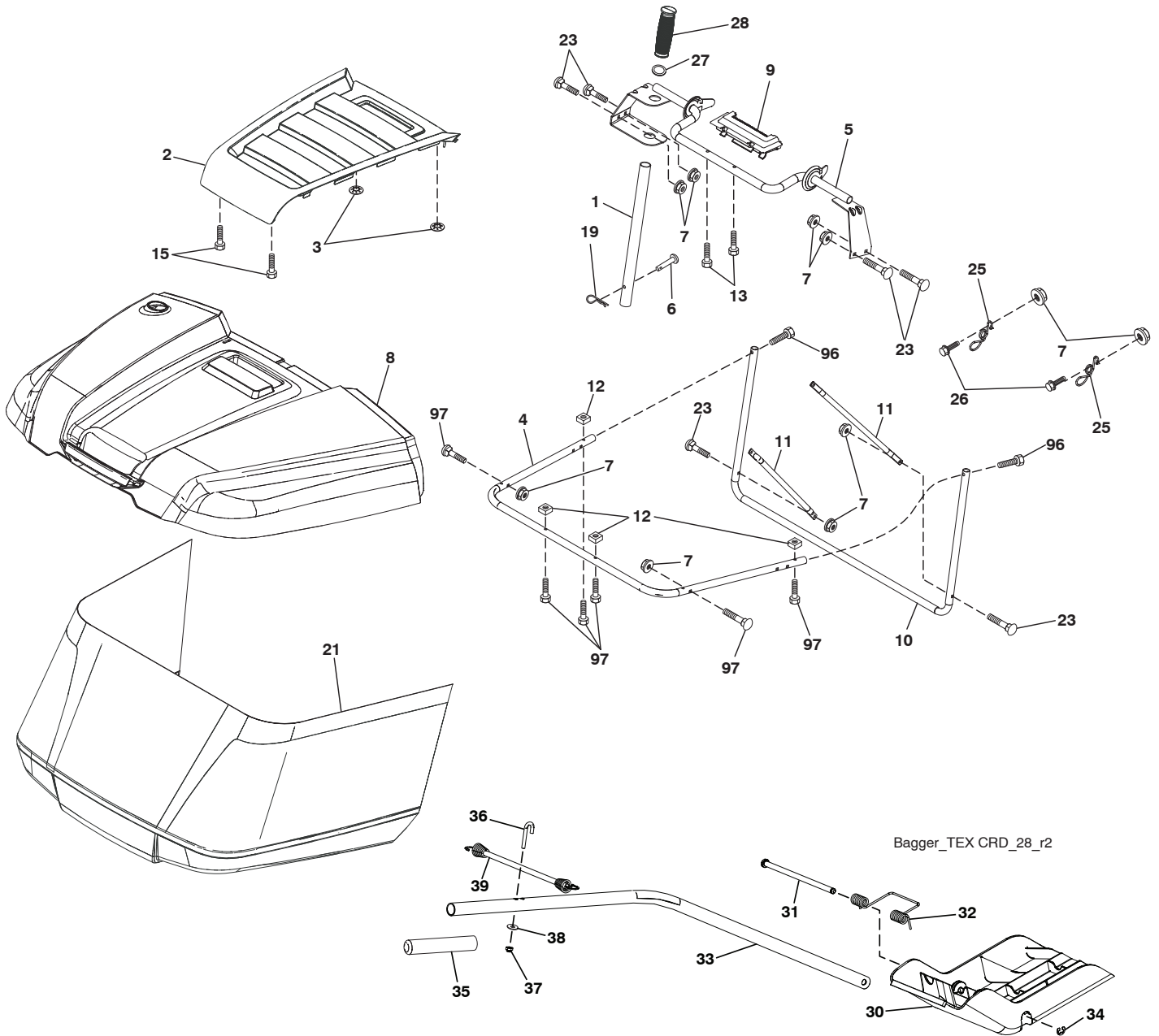
seat-tex_6.5SL_13_r1

KEY NO.	PART NO.	DESCRIPTION
1	532 43 97-09	Seat
2	532 18 01-66	Bracket Pivot Fender
3	532 14 06-75	Strap, Asm. Fender
6	873 80 06-00	Nut, Lock w/Ins. 3/8-16 unc
7	589 48 35-01	Spring, Seat Cprsn.
8	532 17 18-77	Bolt 5/16-18 unc x 3/4 w/Sems.
10	596 65 74-02	Plate, Seat
21	587 90 78-01	Bolt, Shoulder 5/16-18 x 5/8

KEY NO.	PART NO.	DESCRIPTION
37	873 80 05-00	Nut, Lock 5/16-18 unc
40	532 19 76-61	Handle
41	532 19 82-00	Spring
43	874 76 06-12	Bolt 3/8-16 unc x 3/4
44	501 05 18-01	Winged Washer 3/8 ID 1.5 OD

NOTE: All component dimensions given in U.S. inches
1 inch = 25.4 mm

TRACTOR - - MODEL NO. TC 138M (96051017800), PRODUCT NO. 960 51 01-78
BAGGER 46



**TRACTOR - - MODEL NO. TC 138M (96051017800), PRODUCT NO. 960 51 01-78
BAGGER 46**

KEY NO.	PART NO.	DESCRIPTION
1	532 42 86-10	Tube Handle Bagger
2	532 44 13-58	Applique
3	532 41 38-08	Nut Push .156
4	579 78 54-01	Frame Asm Bagger Top
5	532 41 76-32	Frame Asm Top Bagger
6	532 12 68-75	Rivet Drilled
7	873 90 04-00	Nut Hex Flange 1/4-20 unc
8	532 44 12-61	Cover Bagger
9	532 41 76-29	Insert Handle Bagger
10	532 43 67-70	Frame Front
11	532 43 67-71	Tubing Brace Bagger
12	532 42 17-93	Nut Square 1/4
13	532 42 17-80	Screw 1/4 x 1.150
15	532 42 18-01	Screw #8 Dlat Head Drill Tip
19	532 19 42-08	Cotter Pin 5/16 Bow Tie
21	532 44 83-06	Bag Asm
23	872 04 04-10	Bolt Carr. 1/4-20
25	532 42 16-14	Spring Latch Bagger
26	817 49 04-12	Screw 1/4-20 x 3/4
27	532 42 12-62	Grommet Rubber
28	532 16 57-87	Grip Handle Black
30	532 43 74-52	Plug
31	593 88 95-01	Pin Hinge
32	532 43 74-54	Spring Double Torsion
33	532 43 84-51	Shaft Mulch Plug
34	532 43 79-88	E-Ring 5/16
35	532 43 91-39	Grip Mulch Plug
36	532 43 90-98	Bolt J
37	532 06 91-80	Nut Lock #10-24 unc
38	819 07 08-18	Washer 7/32 x 1/2
39	532 43 92-42	Bungee
96	501 40 66-01	Screw Hex Cap 1/4-20 x 1.500
97	590 10 57-01	Screw Torx Butn HD 1/4-20-1.5"

NOTE: All component dimensions given in U.S. inches
1 inch = 25.4 mm

