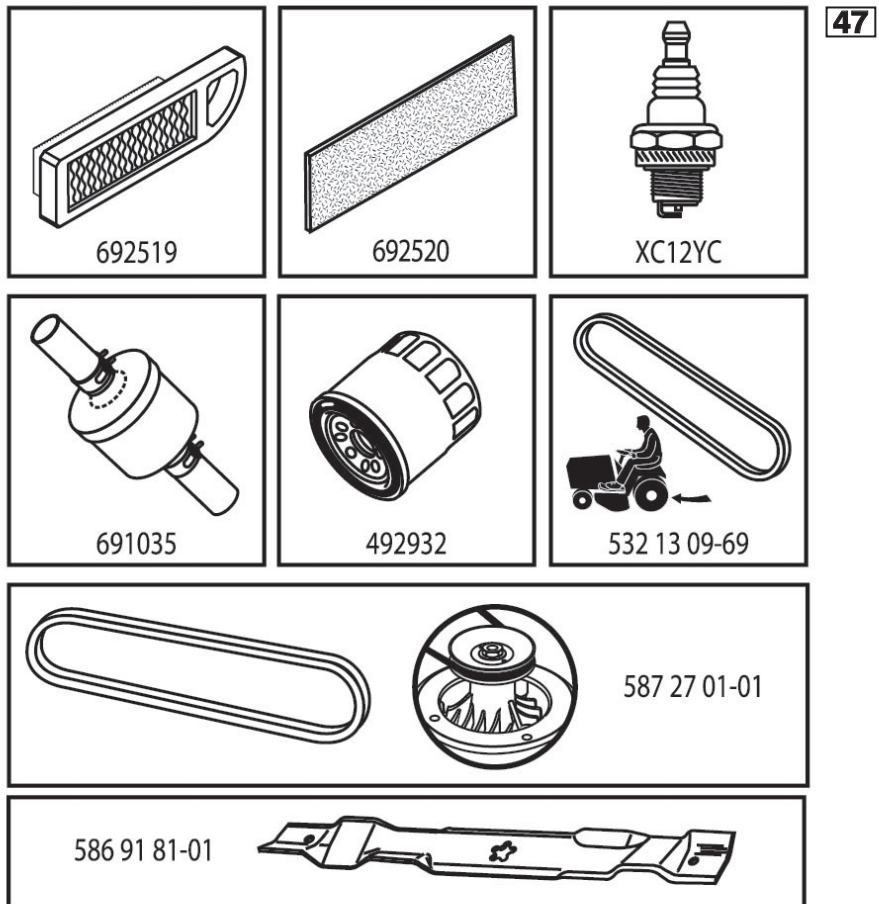


ILLUSTRATED PARTS LIST

MFG. ID NO. 96041038601

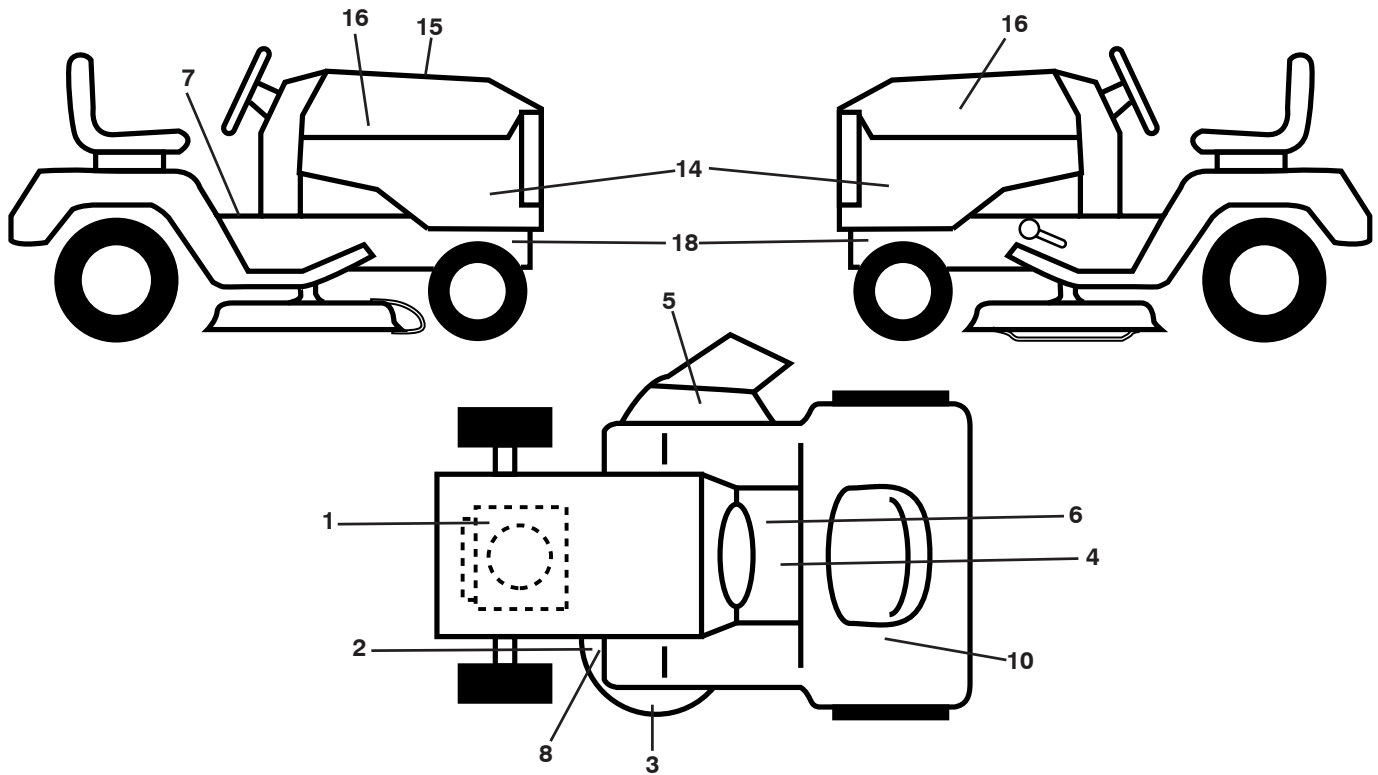
CUSTOMER CATALOG NO. TS 342

PRODUCT NO. 960 41 03-86



588739001

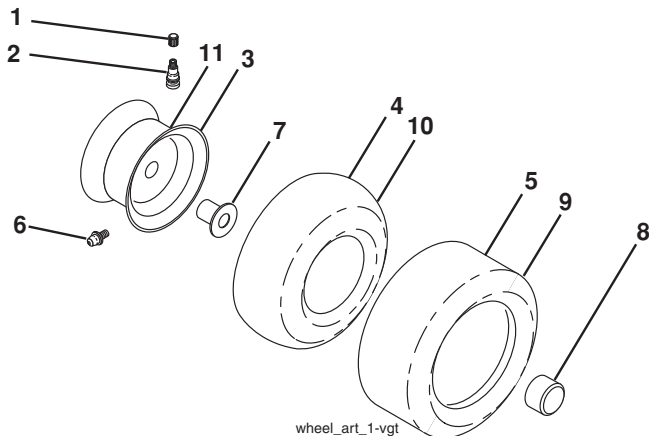
**TRACTOR - - MODEL NO. TS 342 (96041038601), PRODUCT NO. 960 41 03-86
DECALS 27**



KEY NO.	PART NO.	DESCRIPTION
1	581 57 97-01	Decal, Engine Warn.
2	589 35 79-01	Decal, Deck Clearcut No Step
3	590 88 49-01	Decal, 42" Deck Clearcut
4	586 80 03-01	Decal, FWD/REV Pedal Symbol
5	579 81 79-01	Decal, Deflect. Warn.
6	501 08 26-01	Decal, ECM Australia
7	586 04 73-02	Decal, Warn. Sym.
8	581 58 00-01	Decal, Mower Sch.
10	587 01 51-01	Decal, Reserve Fuel Selector
14	587 39 71-01	Decal, Panel Side
15	588 73 90-01	Decal, Rep. Parts

KEY NO.	PART NO.	DESCRIPTION
16	581 62 73-01	Decal, Hood Logo
18	581 57 96-01	Decal, Chassis Hot Muffler
--	501 74 90-01	Decal, Drawbar Locking Differential
--	581 72 46-01	Decal, Drawbar
--	581 72 48-01	Decal, Bypass
--	532 43 98-82	Pad, Footrest, LH
--	532 43 98-81	Pad, Footrest, RH
--	114 11 03-26	Manual, Operator's (English)

WHEELS AND TIRES

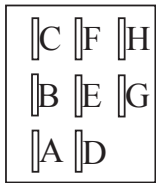
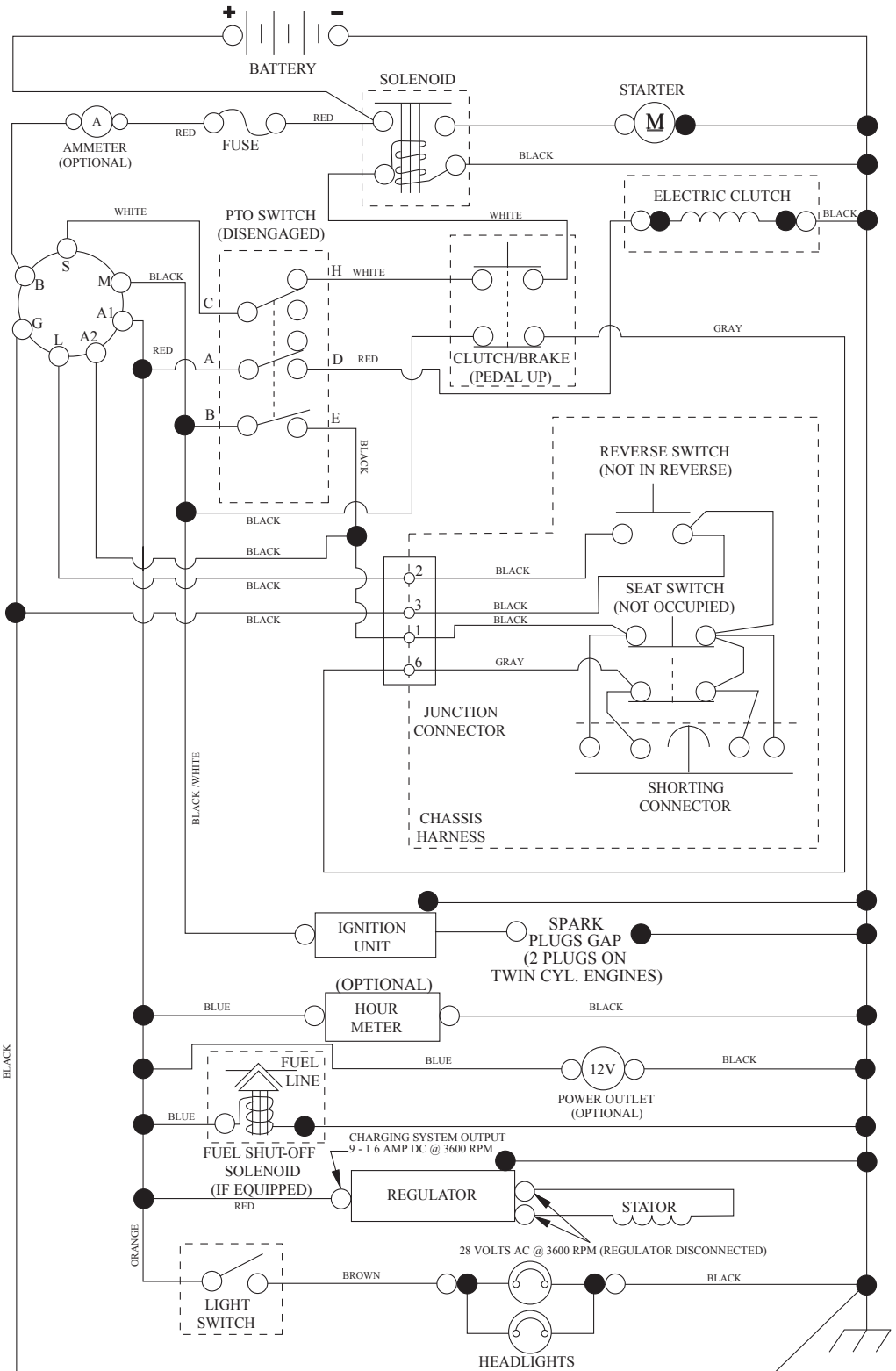


KEY NO.	PART NO.	DESCRIPTION
1	532 05 91-92	Cap, Valve, Tire
2	532 06 51-39	Stem, Valve
3	532 13 83-36	Rim Assembly, Front
4	532 05 99-04	Tube, Front (Service Item Only)
5	532 17 04-55	Tire, Front 15 x 6-6
6	532 12 49-57	Fitting, Grease (Front Wheel Only)
7	532 12 49-59	Bearing, Flange (Front Wheel Only)
8	532 17 50-39	Cap, Axle
9	532 17 04-56	Tire, Rear 20 x 10-8
10	532 12 49-26	Tube, Rear (Service Item Only)
11	532 13 83-37	Rim Assembly, Rear
--	532 14 43-34	Sealant, Tire (10 oz. Tube)

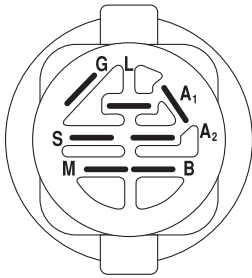
NOTE: All component dimensions given in U.S. inches
1 inch = 25.4 mm

TRACTOR - - MODEL NO. TS 342 (96041038601), PRODUCT NO. 960 41 03-86 SCHEMATIC 38

SCH12

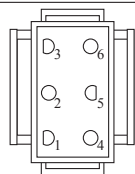


PTO SWITCH
(MATING SIDE)

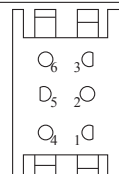


IGNITION SWITCH

POSITION	CIRCUIT	"MAKE"
OFF	M+G+A1	
RUN/OVERRIDE	B+A1	
RUN	B+A1	L+A2
START	B+S+A1	



CHASSIS HARNESS
CONNECTOR
(MATING SIDE)



DASH HARNESS
CONNECTOR

WIRING INSULATED CLIPS
NOTE: IF WIRING INSULATED
CLIPS WERE REMOVED FOR
SERVICING OF UNIT, THEY
SHOULD BE RE-INSTALLED TO
PROPERLY SECURE YOUR
WIRING.

NON-REMOVABLE
CONNECTIONS

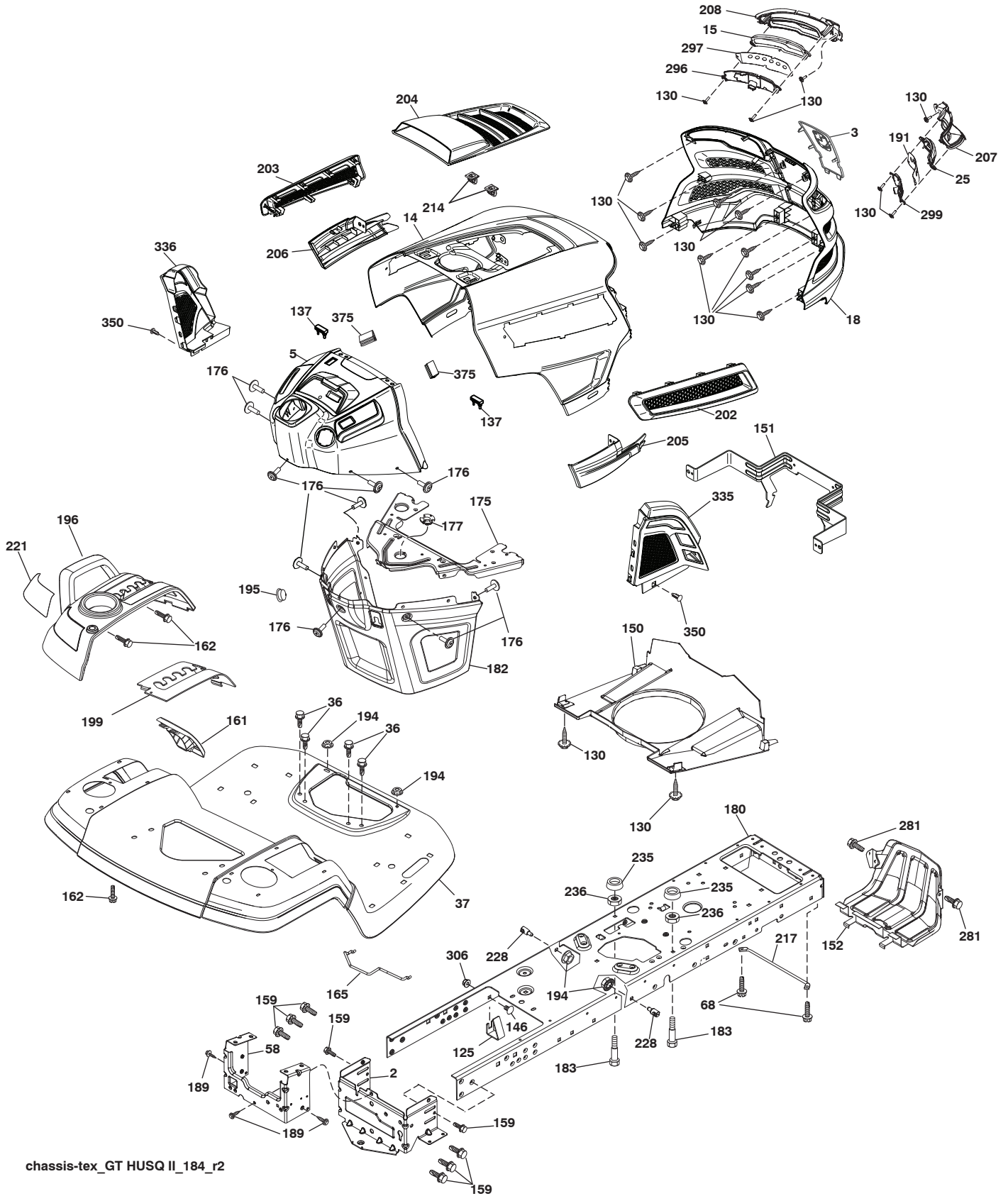
REMOVABLE
CONNECTIONS

**TRACTOR - - MODEL NO. TS 342 (96041038601), PRODUCT NO. 960 41 03-86
ELECTRICAL 32**

KEY NO.	PART NO.	DESCRIPTION
1	532 16 34-65	Battery
2	874 76 04-12	Bolt Hex Head 1/4-20 x 3/4
8	587 20 51-01	Box Battery
16	532 17 61-38	Switch Interlock
21	585 43 64-01	Harness Light
24	585 55 56-01	Cable Battery
25	585 55 55-01	Cable Starter
26	532 17 51-58	Fuse
27	873 51 04-00	Nut Keps Hex 1/4-20 unc
28	532 41 65-88	Cable, Ground
29	532 40 15-45	Switch, Seat
30	532 19 33-50	Switch, Ign.
33	532 41 19-35	Key/Chain
34	532 11 07-12	Switch Light
40	501 13 31-01	Harness Ign. Dash
41	817 72 04-08	Screw Thd Cut 1/4-20 x 1/2
42	532 13 15-63	Cover, Terminal
43	582 04 28-01	Solenoid
45	587 55 39-03	Ammeter Guage Round
46	587 55 40-03	Gauge Hrmtr
50	582 10 76-01	Switch PTO
55	817 06 05-12	Screw 5/16-18 x 3/4
71	532 19 42-76	Harness Ign. Chassis
90	532 43 53-95	Cover Terminal Battery
99	817 67 04-12	Screw Hexwsh Thdrol 1/4-20 x 3/4
100	819 09 14-16	Washer 9/32 x 7/8 x 16 Ga.
102	532 40 44-54	Harness Pigtail
105	532 40 75-68	Switch Reverse TT Pedal Control

NOTE: All component dimensions given in U.S. inches
1 inch = 25.4 mm

TRACTOR - - MODEL NO. TS 342 (96041038601), PRODUCT NO. 960 41 03-86
CHASSIS AND ENCLOSURES **39**



chassis-tex_GT HUSQ II_184_r2

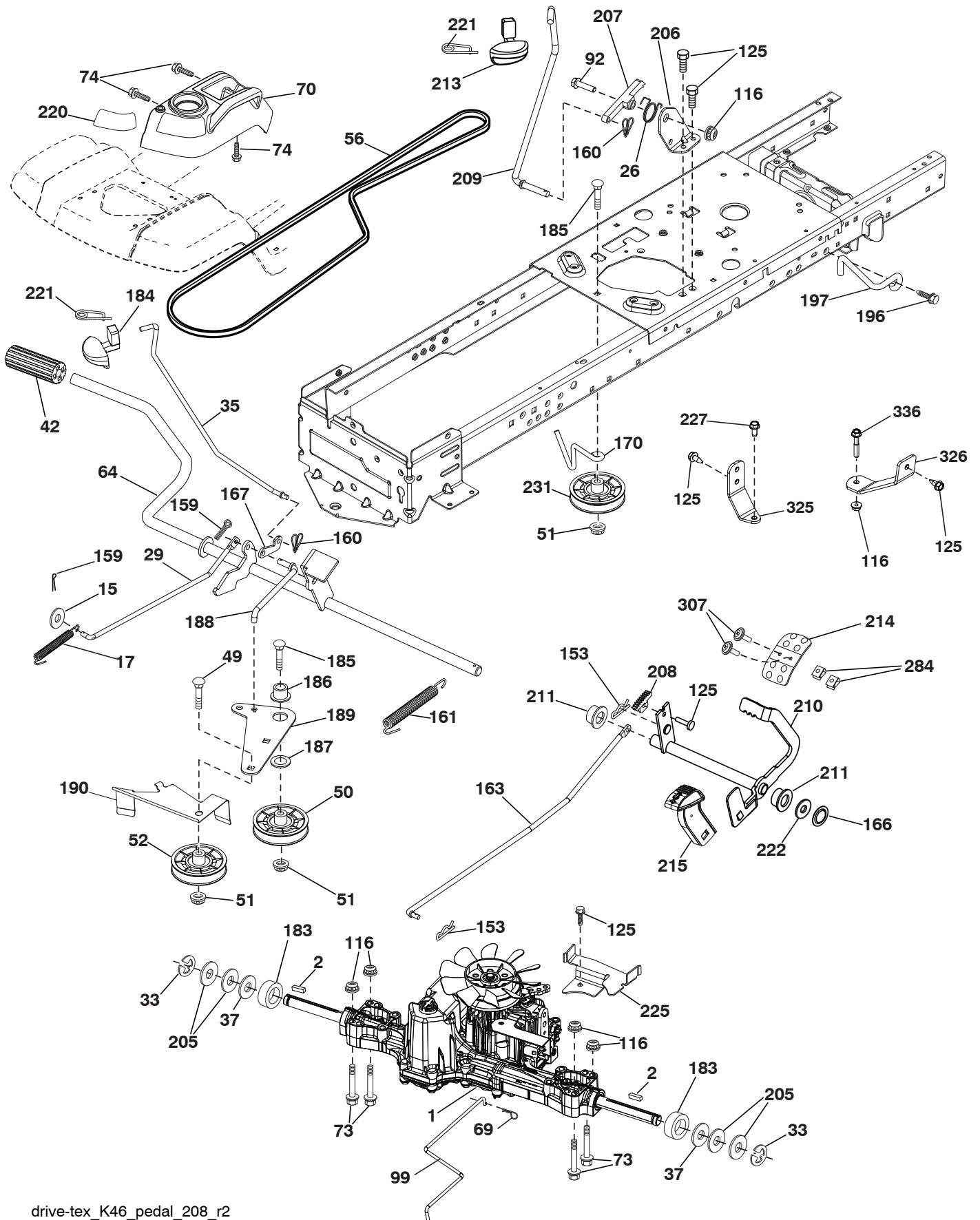
**TRACTOR - - MODEL NO. TS 342 (96041038601), PRODUCT NO. 960 41 03-86
CHASSIS AND ENCLOSURES 39**

KEY NO.	PART NO.	DESCRIPTION
2	532 41 22-82	Drawbar Lower
3	532 44 44-81	Applique
5	590 74 88-17	Dash
14	532 44 11-77	Hood
15	585 42 03-01	Lens LH
18	587 52 34-01	Grille
25	585 42 02-01	Lens RH
36	817 06 05-12	Screw 5/16-18 x 3/4
37	532 44 12-08	Fender
58	532 41 22-81	Drawbar Upper
68	539 99 08-58	Screw Thdrol 5/16-18 x 1/2
125	581 68 48-01	Clip Fuel Line
130	532 41 63-58	Screw 10 x .750 BOS Thread
137	532 40 75-90	Bumper Dash
146	581 85 79-01	Bolt
150	532 43 97-31	Air Duct
151	532 43 66-70	Bracket Pivot Hood
152	532 43 98-70	Shield Browning
159	817 00 06-12	Screw 3/8-16 x 3/4
161	532 43 99-29	Window, Fuel
162	532 14 24-32	Screw Hex Wsh 1/4 x 1/2 unc
165	532 19 43-30	Support Tank Rear
175	590 60 77-02	Crossmember
176	532 40 07-76	Screw 10-24 x 5/8
177	532 19 52-28	Bushing Steering
180	593 34 63-01	Chassis
182	532 40 68-59	Dash Lower
183	874 52 05-20	Bolt 5/16-18 x1-1/4
189	817 00 05-12	Screw 5/16-18 x 3/4
191	586 18 28-01	Insert Reflective RH
194	873 90 05-00	Nut Lock Hex Flange 5/16-18

KEY NO.	PART NO.	DESCRIPTION
195	532 40 41-37	Plug Hole Dash
196	532 43 97-16	Console Deck Lift
199	532 19 82-59	Plate Deck Lift
202	532 43 97-28	Vent Side Hood RH
203	532 43 97-27	Vent Side Hood LH
204	532 44 44-84	Vent Top Hood
205	532 43 97-30	Trim Hood Side RH
206	532 43 97-29	Trim Hood Side LH
207	585 42 00-02	Bezel RH
208	585 42 01-02	Bezel LH
214	532 19 91-45	Clip Retainer Tinner
217	532 40 91-67	Rod Pivot
221	532 19 89-09	Reflector LH
228	532 19 51-61	Stud Fastner
235	532 40 61-29	Spacer Fender
236	873 93 05-00	Nut Lock 5/16-18 unc
281	817 00 06-16	Screw 3/8-16 x 1
296	585 42 05-01	LED Light LH
297	586 18 29-01	Insert Reflective LH
299	585 42 04-01	LED Light RH
306	873 90 06-00	Nut Lock
335	532 44 82-04	Cover RH Lower Close Out
336	532 44 53-09	Cover LH Lower Close Out
350	532 44 51-43	Clip X-mas Tree
375	586 90 82-01	Dash Clip-On Bumper
--	532 43 18-82	Kit Guard Brush

NOTE: All component dimensions given in U.S. inches
1 inch = 25.4 mm

TRACTOR - - MODEL NO. TS 342 (96041038601), PRODUCT NO. 960 41 03-86
 DRIVE **40**



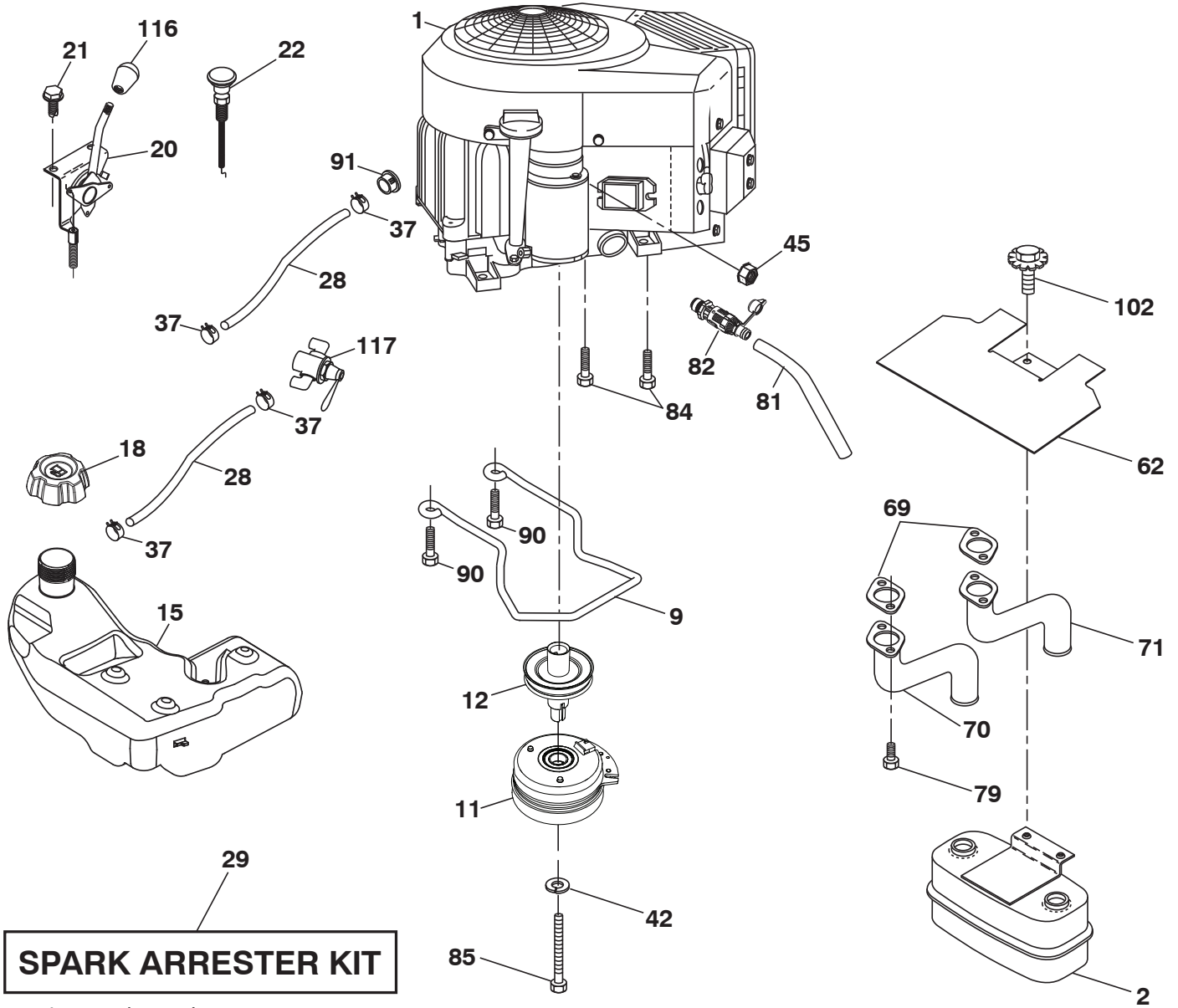
drive-tex_K46_pedal_208_r2

**TRACTOR - - MODEL NO. TS 342 (96041038601), PRODUCT NO. 960 41 03-86
DRIVE **40****

KEY NO.	PART NO.	DESCRIPTION	KEY NO.	PART NO.	DESCRIPTION
1	---	Transaxle, TUFFTORQ K46CR (501051401) (Order parts from transaxle manufacturer.)	184	587 65 37-01	Handle Parking Brake
2	532 12 35-83	Key	185	872 11 06-22	Bolt Rdhd Sqnk 3/8-16 x 2-1/2
15	819 13 13-16	Washer 13/32 x 13/16 x 16 Ga.	186	532 19 43-21	Spacer Retainer
17	532 41 36-78	Spring, Brake	187	819 13 32-10	Washer
26	532 19 96-79	Spring Return Cruise	188	582 21 70-01	Link Clutch Ground Drive, Long
29	532 40 38-06	Rod, Brake	189	532 19 43-17	Bellcrank Ground Drive
33	812 00 00-01	Ring E	190	532 19 43-18	Keeper Bellcrank Ground Drive
35	583 86 45-01	Rod, Brake, Park	196	817 00 06-16	Screw 3/8-16 x 1
37	532 18 89-67	Washer Hardened	197	587 40 20-01	Bracket Clutch Anti-Rotation
42	532 12 48-72	Cover, Foot Pedal	205	532 12 17-48	Washer
49	872 11 06-14	Bolt	206	532 44 85-96	Bracket Mount Latch Cruise
50	532 19 43-27	Pulley Idler Flat	207	587 03 14-01	Latch Control Cruise
51	873 90 06-00	Lock Nut 3/8-16	208	532 19 78-69	Gear Sector Control Cruise
52	532 19 43-26	Idler V-Groove	209	532 19 95-92	Rod Control Cruise
56	532 13 09-69	V-Belt, Drive	210	532 19 78-60	Rocker Asm. Pedal Control
64	532 19 78-65	Shaft Asm. Pedal Brake Control	211	532 12 01-83	Bearing Nylon
69	532 42 33-03	Hairpin Soft Zink .059 x 1.125	213	532 40 31-19	Knob Control Cruise
70	532 43 96-61	Console Shift	214	532 41 68-63	Pedal Forward
73	874 49 05-40	Bolt Hex Flghd 5/16-18 x 2-1/2 Gr. 5	215	586 60 65-02	Pedal Reverse
74	532 14 24-32	Screw Hex Wsh. Hi-Lo 1/4 x 1/2 unc	220	532 19 89-08	Reflector RH
92	874 76 05-20	Bolt Fin Hex 5/16-18 unc x 1.25	221	532 40 31-87	Retainer Spring Clip Handle
99	582 40 45-01	Rod Spring Bypass	222	879 21 20-10	Washer 21/32 x 1-1/4 x 10 Ga.
116	873 90 05-00	Nut Lock Hex Flange 5/16-18	225	532 40 33-19	Keeper Belt Trans.
125	817 00 05-12	Screw 5/16-18 x 3/4	227	817 49 05-12	Screw Thdrol 5/16-18 x 3/4
153	532 12 47-88	Retainer Spring	231	532 40 72-87	Idler V-Groove
159	876 02 04-12	Pin Cotter 1/8 x 3/4	284	532 41 76-93	Nut U-CHNL 1/4-20 550DP .350 PNL
160	532 16 94-84	Retainer Clip	307	874 18 04-12	Screw PHD 1/4-20 Box Drive
161	532 10 57-09	Spring, Return, Clutch	325	586 43 12-02	Torque Strap K46 LT RH
163	532 44 82-75	Rod Pedal Control	326	586 00 11-02	Bracket Trq Stp 46 20" Tire RH
166	532 42 91-64	Nut Push	336	587 25 96-01	Bolt 5/16-18 x 1-3/4 Flanged
167	532 40 52-57	Latch Brake Parking			
170	532 41 34-30	Keeper Belt Centerspan			
183	532 13 70-57	Spacer Split			

NOTE: All component dimensions given in U.S. inches
1 inch = 25.4 mm

TRACTOR - - MODEL NO. TS 342 (96041038601), PRODUCT NO. 960 41 03-86
ENGINE **24**



**TRACTOR - - MODEL NO. TS 342 (96041038601), PRODUCT NO. 960 41 03-86
ENGINE 24**

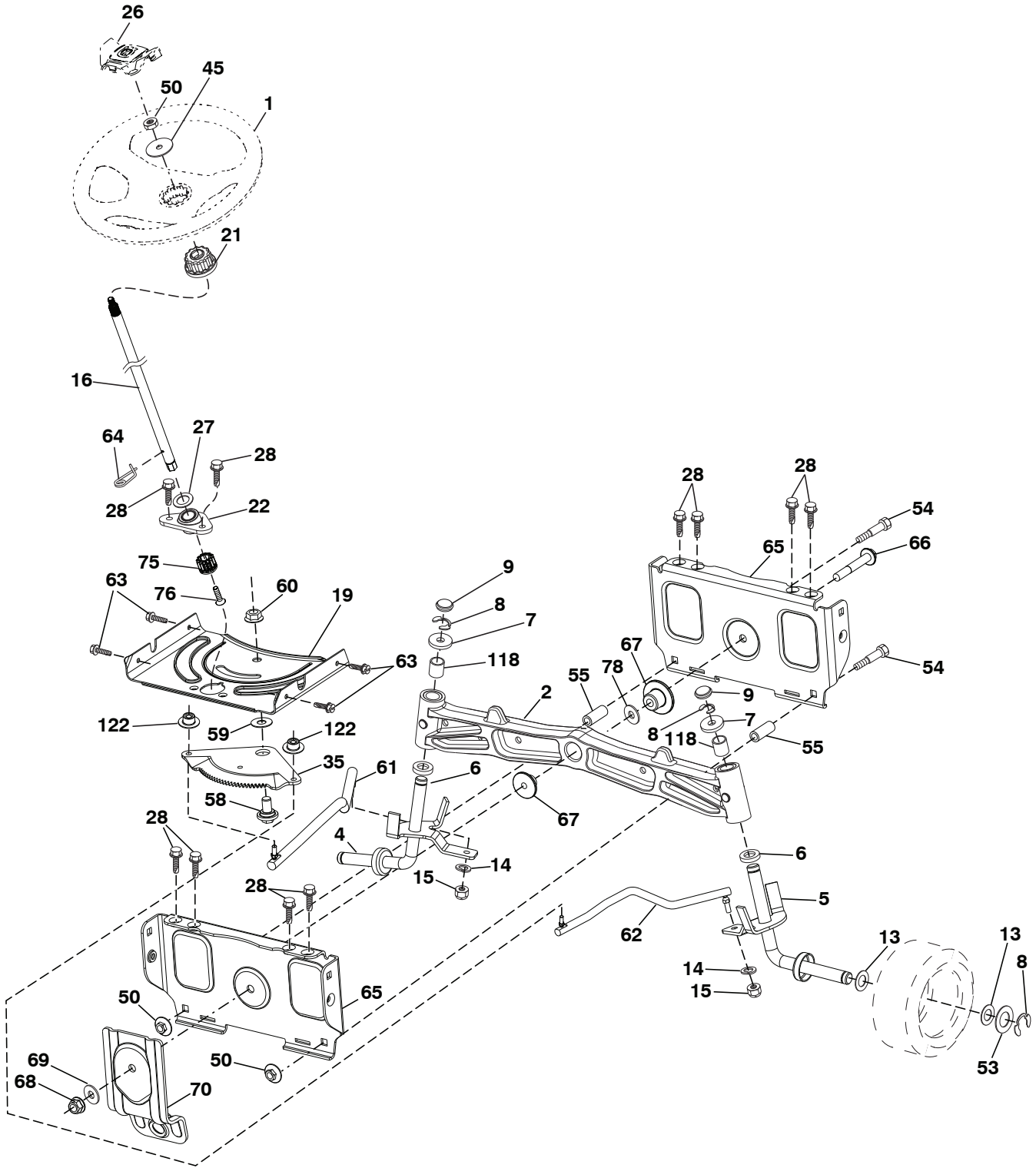
KEY PART NO. NO.	DESCRIPTION
1 - - - - -	Engine Briggs Model No. 385777-0007-G1 (588627901) (Order parts from engine manufacturer.)
2 589 81 87-01	Muffler
9 501 83 26-01	Keeper Belt Engine
11 587 25 50-01	Clutch Electric
12 586 89 96-01	Pulley Engine
15 532 42 28-04	Tank Fuel
18 584 24 87-02	Cap
20 532 42 43-41	Control Throttle
21 532 41 63-58	Screw #10 x .750 BOS Thread
22 532 18 95-41	Control Choke
28 587 04 48-61	Fuel Line
29 532 13 71-80	Spark Arrester Kit
37 532 12 34-87	Clamp Hose
42 539 99 02-47	Washer SLW STD 7/16
45 873 51 04-00	Nut Keps Hex 1/4-20 unc
62 532 43 40-17	Heat Shield
69 532 19 24-42	Gasket
70 532 19 15-48	Tube Exhaust
71 532 19 15-49	Exhaust Tube
79 532 19 24-43	Screw Socket HP 5/16-18 x 1
81 532 14 84-56	Tube Drain Oil Easy
82 532 42 82-87	Valve Oil Drain
84 817 06 06-20	Screw 3/8-16 x 1-1/4
85 501 60 67-01	Bolt Hex 7/16-20 x 5 Gr. 5
90 817 00 06-16	Screw 3/8-16 x 1
91 532 18 74-95	Bushing 1.375 OD
102 817 00 05-12	Screw 5/16 x 3/4
116 539 13 26-24	Knob
117 532 42 08-28	Valve Fuel Reserve

NOTE: All component dimensions given in U.S. inches
1 inch = 25.4 mm

Engine Power Rating Information

The gross power rating for individual gas engine models is labeled in accordance with SAE (Society of Automotive Engineers) code J1940 (Small Engine Power & Torque Rating Procedure), and rating performance has been obtained and corrected in accordance with SAE J1995 (Revision 2002-05). Torque values are derived at 3060 RPM; horsepower values are derived at 3600 RPM. Actual gross engine power will be lower and is affected by, among other things, ambient operating conditions and engine-to-engine variability. Given both the wide array of products on which engines are placed and the variety of environmental issues applicable to operating the equipment, the gas engine will not develop the rated gross power when used in a given piece of power equipment (actual "on-site" or net power). This difference is due to a variety of factors including, but not limited to, accessories (air cleaner, exhaust, charging, cooling, carburetor, fuel pump, etc.), application limitations, ambient operating conditions (temperature, humidity, altitude), and engine-to-engine variability. Due to manufacturing and capacity limitations, Briggs & Stratton may substitute an engine of higher rated power for this Series engine.

TRACTOR - - MODEL NO. TS 342 (96041038601), PRODUCT NO. 960 41 03-86
STEERING ASSEMBLY **41**



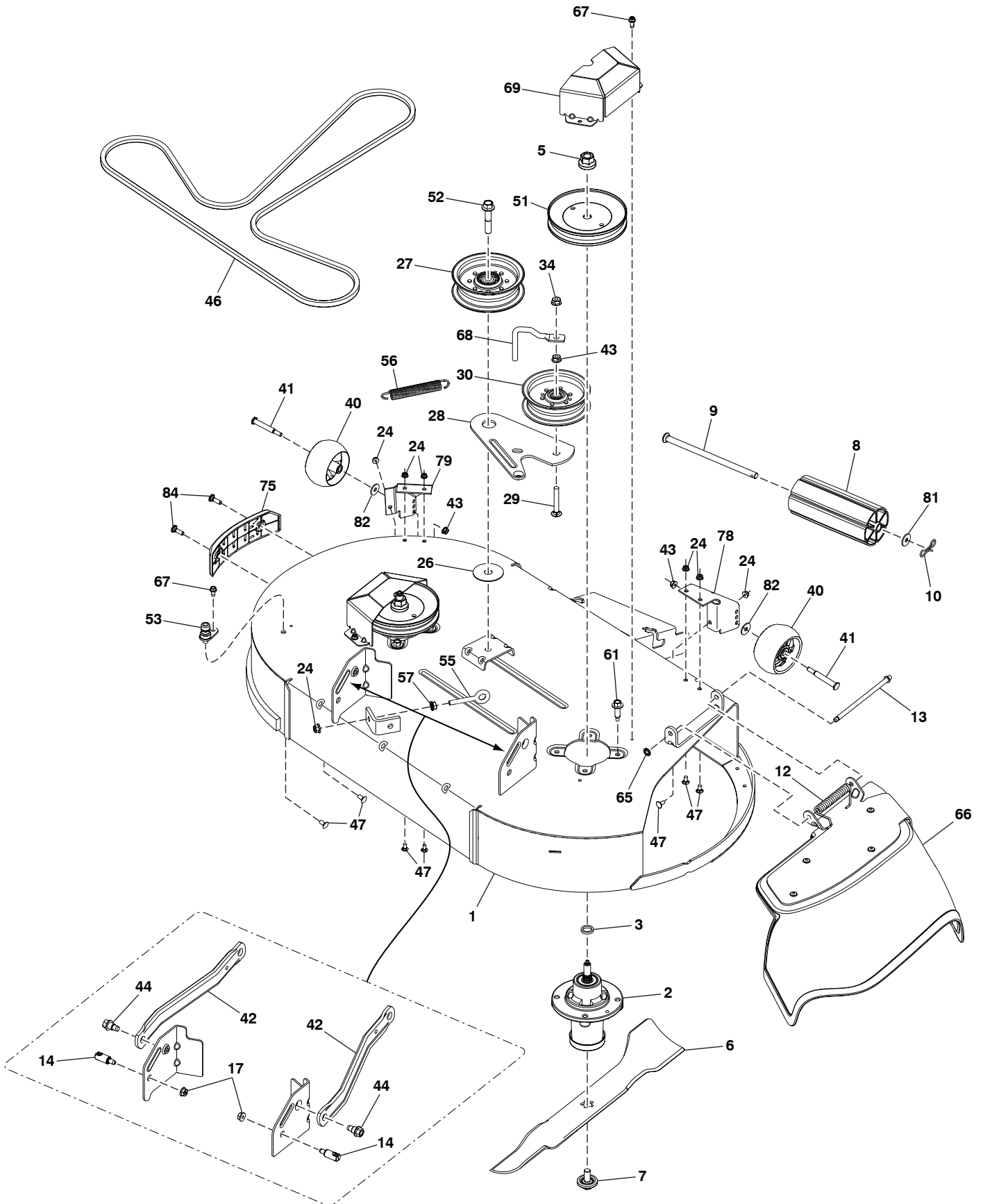
steering-tex_HUSQSR_68_r1

**TRACTOR - - MODEL NO. TS 342 (96041038601), PRODUCT NO. 960 41 03-86
STEERING ASSEMBLY **41****

KEY NO.	PART NO.	DESCRIPTION
1	532 43 97-40	Wheel, Steering
2	532 41 35-91	Axle Asm., Front
4	586 72 40-01	Spindle Asm., LH
5	586 72 41-01	Spindle Asm., RH
6	532 12 49-31	Bearing, Race Thrust Harden
7	532 12 17-48	Washer 25/32 x 1-5/8 x 16 Ga.
8	812 00 00-29	Ring, Clip #T5304-75
9	532 12 12-32	Cap, Spindle
13	532 12 17-49	Washer 25/32 x 1-1/4 x 16 Ga.
14	539 99 01-18	Washer, SLW ZD 3/8
15	873 54 06-00	Nut, Crown Lock 3/8-24 unf
16	587 01 60-02	Steering Shaft
19	532 19 47-29	Plate Steering
21	586 84 02-01	Adapter Wheel Steering
22	585 02 98-02	Bearing
26	532 43 97-43	Insert, Wheel Steering
27	819 21 16-16	Washer
28	817 00 06-12	Screw 3/8-16 x 3/4
35	532 19 47-32	Gear, Sector Plate
45	587 01 64-01	Washer 3/8 ID 2-3/8 OD 12 Ga. PLTD
50	873 90 06-00	Nut Lock Flg 3/8-16 unc
53	532 18 89-67	Washer Hardened .793 x 1.637 x .060
54	874 76 06-36	Bolt Hex 3/8-16 unc x 2-1/4
55	532 41 47-36	Spacer Brace Axle
58	532 19 47-47	Bolt Shoulder Sector Pivot CFM
59	532 19 47-48	Washer Thrust Sector Steering
60	873 97 10-00	Nut Flange Lock 5/8-11
61	588 79 44-02	Draglink, LH
62	588 79 45-02	Draglink, RH
63	817 00 05-12	Screw 5/16-18 x 3/4
64	532 19 98-49	Retainer Clip Spring Steering
65	532 19 47-34	Brace Axle Front
66	871 02 07-48	Bolt Hex Fghd 7/16-14 x 3 Serr
67	532 19 47-37	Bushing PM Front Axle
68	873 90 07-00	Nut Lock Flange 7/16-14 Gr. 5
69	532 19 91-62	Washer 1.5 x .505 x .118
70	585 33 88-01	Bracket Deck Susp. Front
75	580 68 37-01	Pinion
76	580 68 36-01	Screw Head Sock
78	532 05 70-79	Washer Thrust
118	532 40 60-13	Bushing
122	532 44 49-62	Cap Gear

NOTE: All component dimensions given in U.S. inches
1 inch = 25.4 mm

TRACTOR - - MODEL NO. TS 342 (96041038601), PRODUCT NO. 960 41 03-86
MOWER DECK **44**



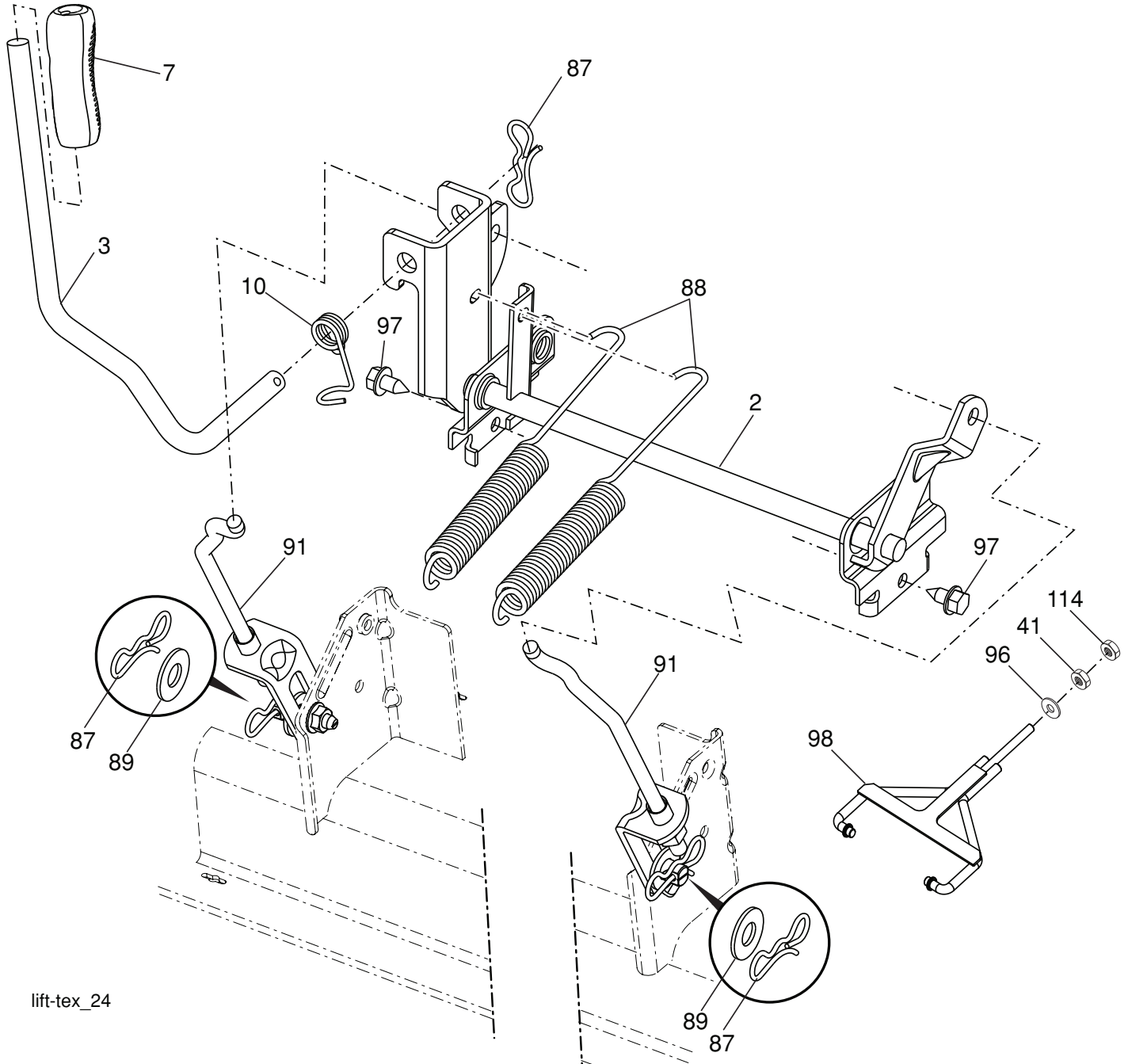
Mower Deck-tex_42F Flat_elec_8_r3

**TRACTOR - - MODEL NO. TS 342 (96041038601), PRODUCT NO. 960 41 03-86
MOWER DECK 44**

KEY NO.	PART NO.	DESCRIPTION
1	588 82 25-01	Kit SVC Weldment
2	539 11 21-70	Housing Assembly
3	532 18 76-90	Washer-Spacer
5	532 40 02-34	Nut Lock Flange Top
6	586 91 81-01	Blade
7	532 19 30-03	Bolt/Washer Asm 7/16-20 unf
8	532 17 60-66	Roller, Nose
9	532 17 91-27	Rod, Roller, Nose
10	539 19 42-08	Clip Retainer
12	587 35 47-01	Spring
13	532 13 14-91	Rod Hinge 42/46/48/54
14	532 19 51-61	Stud, Fasten w/ Anti- Rotate
17	873 90 05-00	Nut Lock Hex Flanged 5/16-18
24	539 11 28-99	Nut 5/16-18 Hex Flange Nyloc
26	532 17 85-15	Washer, Flat Hardened
27	532 19 61-04	Pulley, Idler Spec. Hub
28	586 87 40-02	Arm 42 FCS
29	539 12 81-01	Bolt Carriage 3/8-16 x 2 1/2
30	532 19 61-06	Pulley, Idler
34	873 68 06-00	Nut Crownlock 3/8-16 unc
40	589 52 73-01	Gauge Wheel
41	532 19 34-06	Bolt Shoulder
42	587 14 05-02	Arm Susp. Rear
43	873 90 06-00	Nut Lock FLG 3/8-16 unc
44	532 19 65-39	Bolt Shoulder
46	587 27 01-01	Belt 42 FCS
47	539 99 03-16	RHSNB 5/16-18 x 3/4 Gr. 5 ZD
51	532 19 97-91	Pulley, Mandrel
52	588 43 83-01	Screw 7/16-14 x 2.125 Hex Wsh Hd
53	532 41 55-98	Washout Port
55	539 11 55-74	Eyebolt 5/16 x 3-1/2
56	587 35 84-01	Spring
57	539 99 05-85	Nut 5/16-18 Hex
61	584 95 39-01	Bolt Hex Wsh Hd 3/13-18 x 1.19
65	532 11 04-52	Nut Push Phos & Oil
66	587 30 57-03	Deflector Assy. 42 FCS
67	532 13 77-29	Screw
68	532 19 84-68	Keeper Belt Idler
69	586 93 68-05	Cover 42" Mandrel
75	582 68 32-03	Bumper
78	501 80 83-05	Gauge Wheel Bracket RH
79	590 43 90-05	Gauge Wheel Bracket LH
81	582 36 05-01	Bushing Nose Roller
82	819 12 14-14	Washer 5/16 Flat
84	532 17 01-65	Bolt Shoulder 5/16-18
- -	588 82 26-01	Mower Deck Complete

NOTE: All component dimensions given in U.S. inches
1 inch = 25.4 mm

TRACTOR - - MODEL NO. TS 342 (96041038601), PRODUCT NO. 960 41 03-86
MOWER LIFT 45



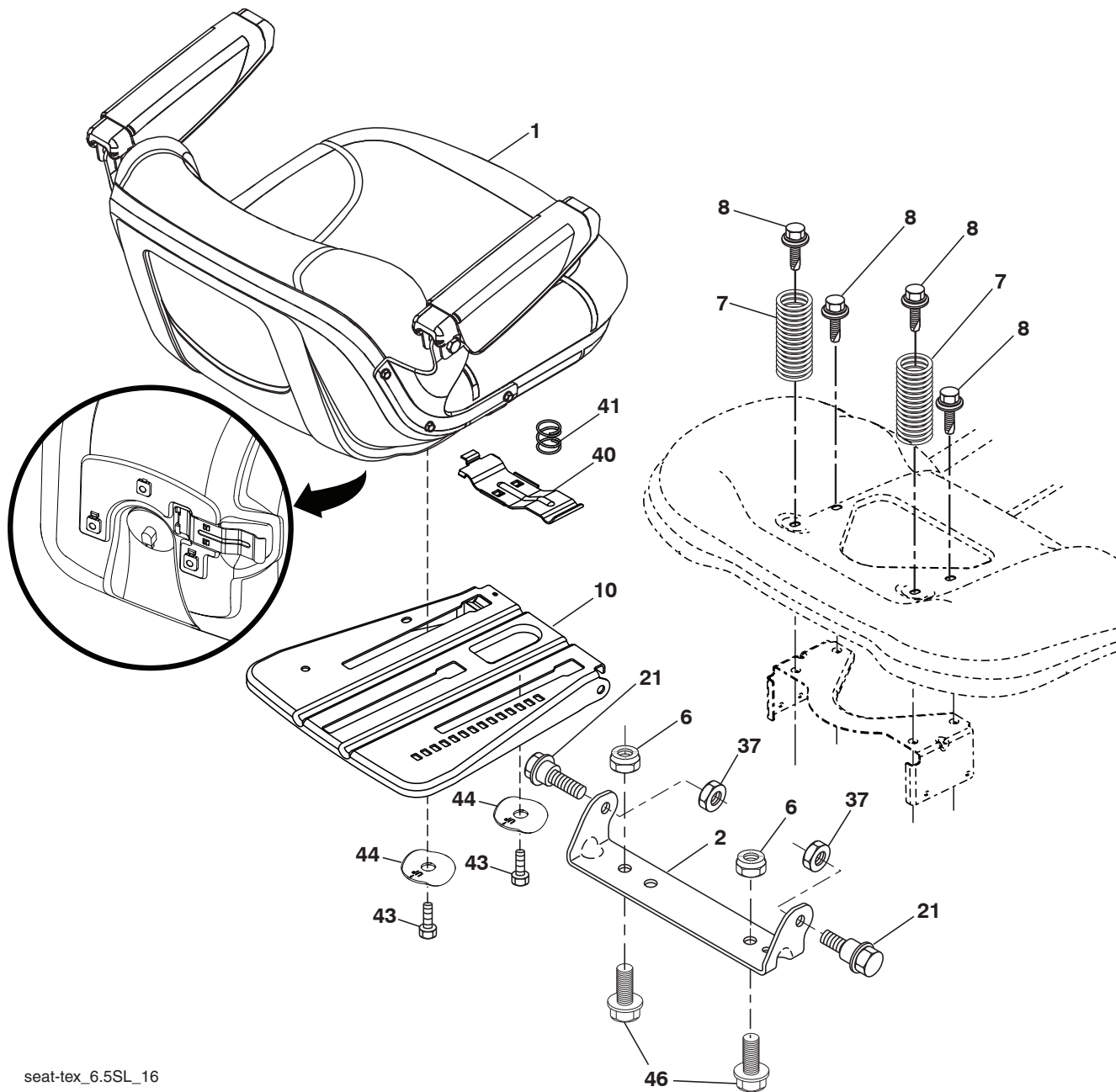
lift-tex_24

KEY PART NO.	PART NO.	DESCRIPTION
2	532 42 20-27	Shaft Asm., Lift
3	532 19 52-30	Lever Asm., Lift RH
7	580 96 23-01	Grip, Lever
10	532 19 63-14	Spring Torsion
41	532 17 59-94	Nut, Lift Link
87	532 19 42-09	Pin Cotter 7/16 Bow Tie Lock
88	532 41 07-10	Spring Lift Assist
89	819 19 19-12	Washer Clear Zinc

KEY PART NO.	PART NO.	DESCRIPTION
91	532 40 34-07	Link Lift Susp Mower Rear
96	532 19 52-63	Bushing, Spherical
97	817 00 06-12	Screw 3/8-16 x .75
98	574 82 25-01	Link Lift Susp. Front Mower
114	873 36 07-00	Nut Jam 7/16-20

NOTE: All component dimensions given in U.S. inches
 1 inch = 25.4 mm

**TRACTOR - - MODEL NO. TS 342 (96041038601), PRODUCT NO. 960 41 03-86
SEAT ASSEMBLY 42**



seat-tex_6.5SL_16

KEY NO.	PART NO.	DESCRIPTION
1	588 55 67-01	Seat
2	532 18 01-66	Bracket Pivot Fender
6	873 80 06-00	Nut, Lock W/Ins. 3/8-16 unc
7	589 48 35-01	Spring, Seat Cprsn
8	532 17 18-77	Bolt 5/16-18 unc x 3/4 w/Sems
10	596 65 74-02	Pan, Seat
21	587 90 78-01	Bolt, Shoulder 5/16-18
37	873 80 05-00	Nut, Lock 5/16-18 unc

KEY NO.	PART NO.	DESCRIPTION
40	532 19 76-61	Handle Slide Seat
41	532 19 82-00	Spring Latch Seat
43	874 76 06-12	Bolt Fin Hex 3/8-16 unc x 3/4
44	501 05 18-01	Washer Winged 3/8 ID 1.5 OD
46	588 09 04-01	Bolt 3/8-16 x 1-1.25 OD

NOTE: All component dimensions given in U.S. inches
1 inch = 25.4 mm

