

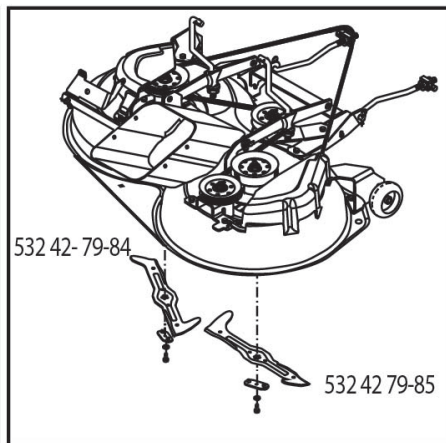
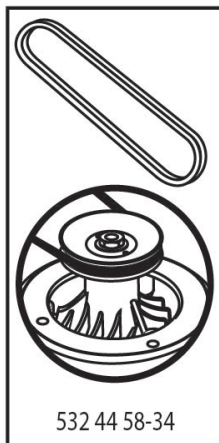
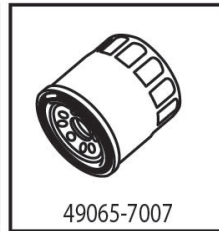
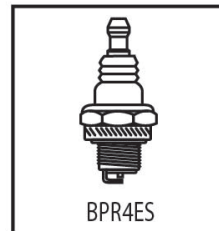
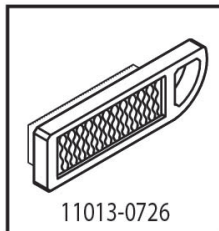
# ILLUSTRATED PARTS LIST

**MFG. ID NO. 96051016300**

**CUSTOMER CATALOG NO. TC 238**

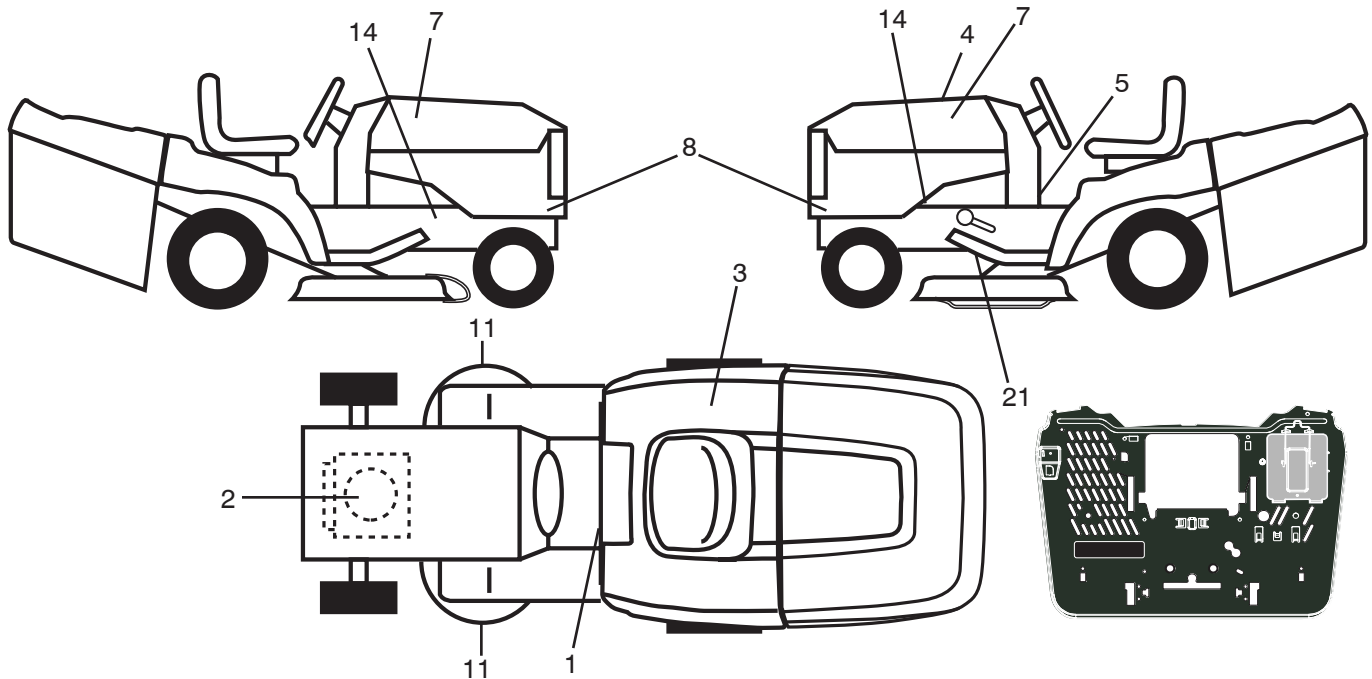
**PRODUCT NO. 960 51 01-63**

**47**



**590598801**

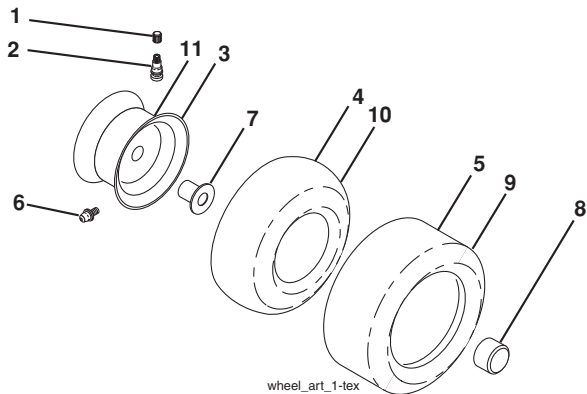
**TRACTOR - - MODEL NO. TC 238 (96051016300), PRODUCT NO. 960 51 01-63  
DECALS 27**



| KEY NO. | PART NO.     | DESCRIPTION                    |
|---------|--------------|--------------------------------|
| 1       | 586 04 73-02 | Decal, Saddle                  |
| 2       | 581 57 97-01 | Decal, Warning Eng. Sym.       |
| 3       | 501 08 26-01 | Decal, ECM Australia           |
| 4       | 590 59 88-01 | Decal, Replacement             |
| 5       | 581 57 84-01 | Decal, Mulch Bag Instructions  |
| 7       | 581 62 73-01 | Decal, Hood                    |
| 8       | 588 72 58-01 | Decal, Side Panel              |
| 11      | 581 57 91-01 | Decal, Mower Cut Finger Symbol |

| KEY NO. | PART NO.     | DESCRIPTION                 |
|---------|--------------|-----------------------------|
| 14      | 581 57 96-01 | Decal, Chassis Hot Muffler  |
| 21      | 532 44 11-89 | Decal, Belt Schematic       |
| --      | 532 44 54-93 | Decal, Warning Combined     |
| --      | 532 44 46-19 | Decal Bypass                |
| --      | 532 44 14-09 | Pad Footrest LH             |
| --      | 532 44 14-10 | Pad Footrest RH             |
| --      | 115 88 35-28 | Manual Operator's (English) |

**WHEELS AND TIRES**

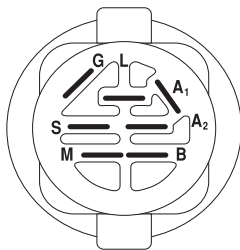
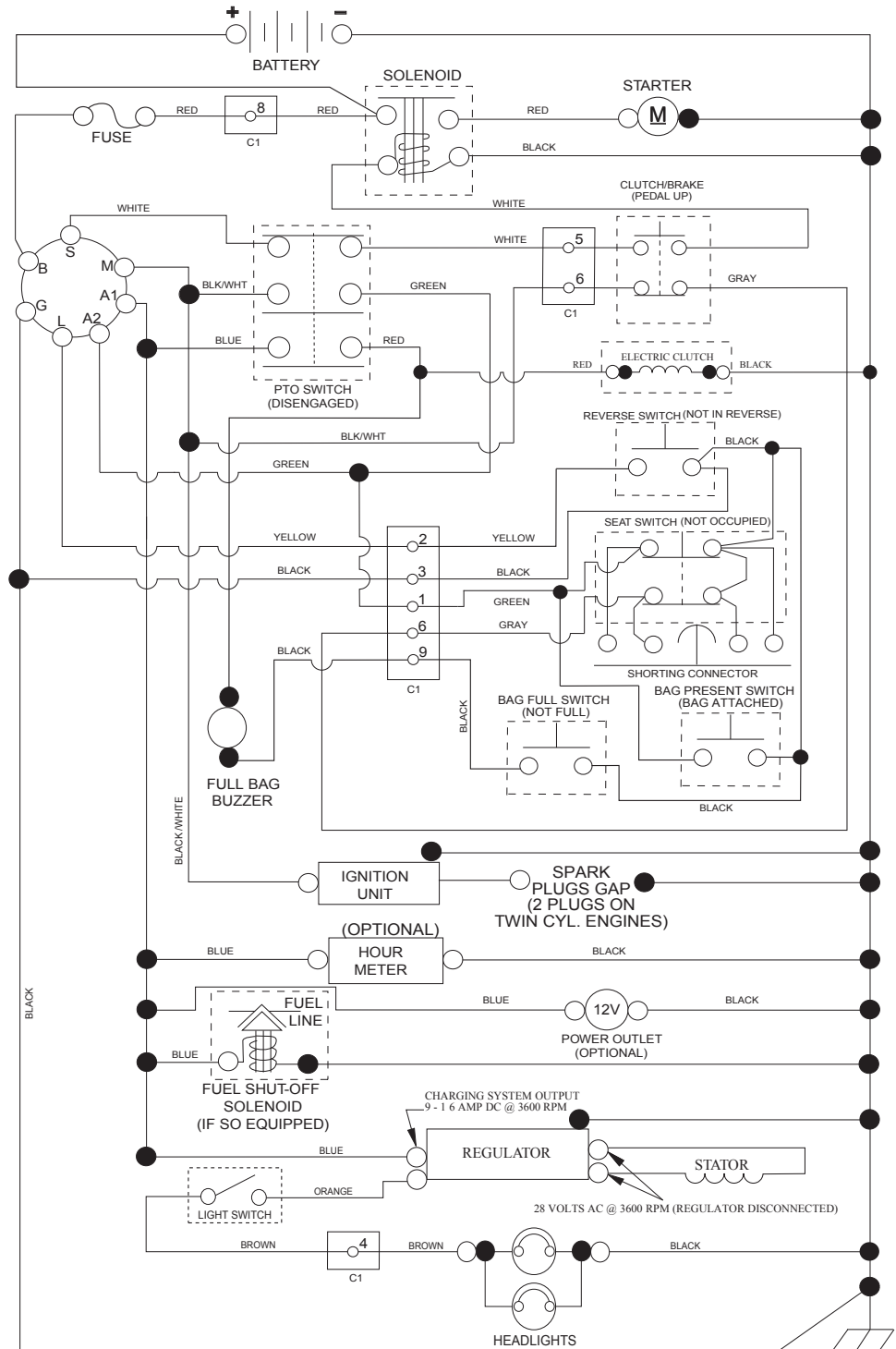


| KEY NO. | PART NO.     | DESCRIPTION                       |
|---------|--------------|-----------------------------------|
| 1       | 532 05 91-92 | Cap Valve Tire                    |
| 2       | 532 06 51-39 | Stem Valve                        |
| 3       | 532 13 83-36 | Rim Front                         |
| 4       | 532 05 99-04 | Tube Front (Service Item Only)    |
| 5       | 532 10 62-22 | Tire Front 15 x 6-6               |
| 6       | 532 12 49-57 | Fitting Grease (Front Wheel Only) |
| 7       | 532 12 49-59 | Bearing Flange (Front Wheel Only) |
| 8       | 532 17 50-39 | Cap Axle Blk 1 50 x 1 00          |
| 9       | 532 42 05-31 | Tire Rear 18 x 9.5-8              |
| 10      | 532 12 49-26 | Tube Rear (Service Item Only)     |
| 11      | 532 13 83-37 | Rim Asm 8" Rear                   |
| --      | 532 14 43-34 | Sealant, Tire (10 oz. Tube)       |

**NOTE:** All component dimensions given in U.S. inches  
1 inch = 25.4 mm

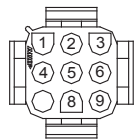
# TRACTOR - - MODEL NO. TC 238 (96051016300), PRODUCT NO. 960 51 01-63 SCHEMATIC **38**

SCH19

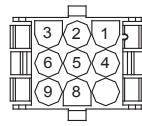


IGNITION SWITCH

| POSITION     | CIRCUIT    | "MAKE" |
|--------------|------------|--------|
| OFF          | M+G+A1     |        |
| RUN/OVERRIDE | B+A1       |        |
| RUN          | B+A1       | L+A2   |
| START        | B + S + A1 |        |



CHASSIS HARNESS CONNECTOR (C1) (MATING SIDE)



DASH HARNESS CONNECTOR (C1) (MATING SIDE)

WIRING INSULATED CLIPS  
NOTE: IF WIRING INSULATED CLIPS WERE REMOVED FOR SERVICING OF UNIT, THEY SHOULD BE RE-INSTALLED TO PROPERLY SECURE YOUR WIRING.

NON-REMOVABLE CONNECTIONS

REMOVABLE CONNECTIONS

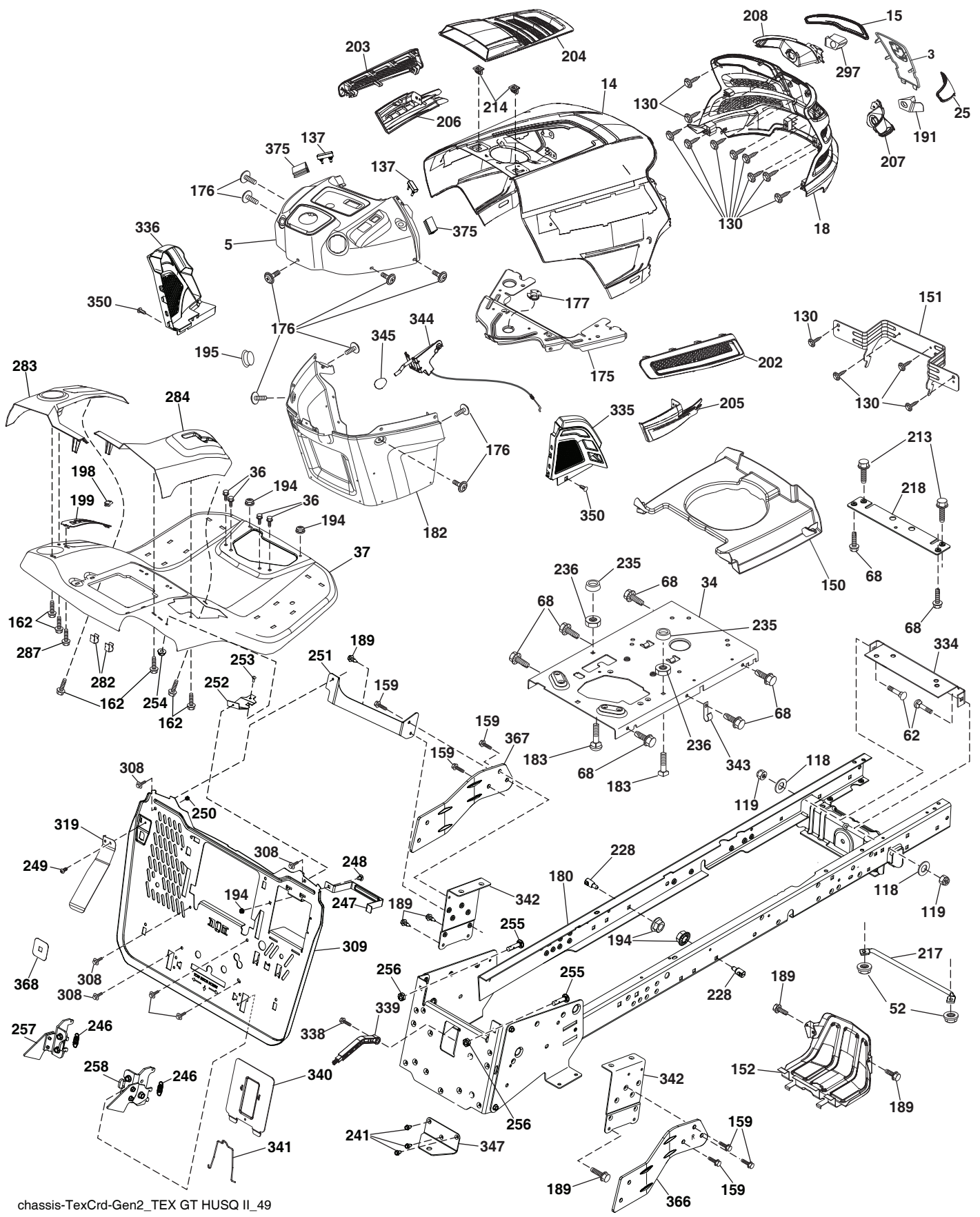


**TRACTOR - - MODEL NO. TC 238 (96051016300), PRODUCT NO. 960 51 01-63  
ELECTRICAL 32**

| <b>KEY<br/>NO.</b> | <b>PART<br/>NO.</b> | <b>DESCRIPTION</b>              |
|--------------------|---------------------|---------------------------------|
| 1                  | 532 43 71-57        | Battery                         |
| 2                  | 532 44 09-23        | Screw Hex Hd Cap M6 x 1.12mm    |
| 16                 | 532 17 61-38        | Switch Interlock Push-In        |
| 21                 | 532 40 02-52        | Harness Light                   |
| 22                 | 532 00 41-52        | Bulb Light                      |
| 25                 | 589 32 37-01        | Cable Battery                   |
| 26                 | 532 17 51-58        | Fuse                            |
| 27                 | 873 51 04-00        | Nut Keps Hex 1/4-20 unc         |
| 28                 | 589 32 36-01        | Cable, Ground                   |
| 29                 | 532 40 15-45        | Switch, Seat                    |
| 30                 | 532 19 33-50        | Switch, Ign                     |
| 33                 | 532 41 19-33        | Key/Chain                       |
| 34                 | 532 11 07-12        | Switch Light                    |
| 40                 | 587 26 89-01        | Harness Ign. Dash               |
| 42                 | 532 13 15-63        | Cover Terminal Red              |
| 43                 | 582 04 28-01        | Solenoid                        |
| 46                 | 586 16 18-01        | Gauge Serviceminder Hrmtr       |
| 50                 | 582 10 76-01        | Switch PTO                      |
| 55                 | 817 06 05-12        | Screw Thdrol 5/16-18 x 3/4 TYTT |
| 71                 | 532 44 08-20        | Harness Ignition Chassis        |
| 79                 | 532 17 52-42        | Socket Asm. Bulb                |
| 83                 | 532 43 67-74        | Nut Square M6 x 1.8.5 x 11mm    |
| 99                 | 817 00 05-12        | Screw 5/16-18 x 3/4             |
| 102                | 532 44 12-62        | Harness Jumper                  |
| 105                | 532 40 75-68        | Switch Reverse                  |
| 107                | 532 18 03-79        | Switch Full Bagger              |
| 108                | 589 50 03-01        | Switch SNPMT.                   |

**NOTE:** All component dimensions given in U.S. inches  
1 inch = 25.4 mm

TRACTOR - - MODEL NO. TC 238 (96051016300), PRODUCT NO. 960 51 01-63  
CHASSIS AND ENCLOSURES **39**



chassis-TeXCrd-Gen2\_TEX GT HUSQ\_II\_49

**TRACTOR - - MODEL NO. TC 238 (96051016300), PRODUCT NO. 960 51 01-63  
CHASSIS AND ENCLOSURES 39**

| KEY<br>NO. | PART<br>NO.  | DESCRIPTION                      | KEY<br>NO. | PART<br>NO.  | DESCRIPTION  |
|------------|--------------|----------------------------------|------------|--------------|--|
| 3          | 532 44 44-81 | Applique                         | 256        | 532 19 70-33 | Nut Jam 3/8-16   |
| 5          | 579 77 05-01 | Dash                             | 257        | 589 74 66-02 | Bagger Latch Assembly LH   |
| 14         | 532 44 11-77 | Hood                             | 258        | 589 74 67-02 | Bagger Latch Assembly RH   |
| 15         | 532 43 97-33 | Lens LH                          | 282        | 532 41 41-10 | Clip Retainer  |
| 18         | 587 52 34-01 | Grille                           | 283        | 532 44 72-12 | Console Deck Lift LH   |
| 25         | 532 44 33-85 | Lens RH                          | 284        | 532 44 72-20 | Console Shft RH  |
| 34         | 580 91 09-01 | Plate Engine                     | 287        | 817 60 04-06 | Screw 1/4-20 x 3/8   |
| 36         | 817 06 05-12 | Screw 5/16-18 x 3/4              | 297        | 532 43 74-56 | Insert Reflective LH   |
| 37         | 532 44 14-19 | Fender                           | 308        | 532 17 18-77 | Bolt 5/16-18 unc x 3/4   |
| 52         | 873 68 05-00 | Nut Lock 5/16-18                 | 309        | 582 55 25-02 | Backplate  |
| 62         | 872 11 06-08 | Bolt RdHd Sqnk 3/8-16 x 1 Gr. 5  | 319        | 581 31 39-07 | Lever Bag  |
| 68         | 817 49 05-08 | Screw Thdrol 5/16-18 x 1/2       | 334        | 532 44 25-37 | Bracket Engine   |
| 118        | 819 13 13-16 | Washer 13/32 x 13/16 x 16 Ga.    | 335        | 532 44 82-04 | Cover RH Lower Close Out   |
| 119        | 873 68 06-00 | Nut Crownlock 3/8-16 unc         | 336        | 532 44 53-09 | Cover LH Lower Close Out   |
| 130        | 532 41 63-58 | Screw #10 x 0.750                | 338        | 532 43 66-40 | Bolt Shoulder  |
| 137        | 532 40 75-90 | Bumper Dash                      | 339        | 532 43 66-41 | Lever Bagger Full  |
| 150        | 532 43 97-31 | Air Duct                         | 340        | 582 55 27-02 | Door Battery   |
| 151        | 532 43 66-70 | Bracket Pivot                    | 341        | 582 06 08-01 | Latch Battery Door   |
| 152        | 532 43 98-70 | Shield Browning                  | 342        | 582 82 68-02 | Supprt Fender  |
| 159        | 817 00 06-12 | Screw Hexwsh Thrd 3/8-16 x 3/4   | 343        | 532 44 07-49 | Clip   |
| 162        | 532 14 24-32 | Screw                            | 344        | 532 43 89-70 | Control EZ Mulch   |
| 175        | 532 19 63-04 | Crossmember                      | 345        | 532 44 06-39 | Knob   |
| 176        | 532 40 07-76 | Screw 10-24 x 5/8                | 347        | 532 44 28-87 | Hitch Tow  |
| 177        | 532 19 52-28 | Bushing Steering                 | 350        | 532 44 51-43 | Clip X-Mas Tree  |
| 180        | 583 90 27-01 | Chassis                          | 366        | 581 31 46-02 | Bracket RH Front Bagger  |
| 182        | 532 43 89-67 | Dash Lower                       | 367        | 581 31 45-02 | Bracket LH Front Bagger  |
| 183        | 874 52 05-20 | Bolt 5/16-18 x 1-1/4             | 368        | 581 42 48-01 | Full Lever Shroud  |
| 189        | 817 00 05-12 | Screw 5/16-18 x 3/4              | 375        | 586 90 82-01 | Dash Clip-On Bumper  |
| 191        | 532 43 74-55 | Insert Reflective RH             | --         | 532 40 09-44 | Bumper   |
| 194        | 873 90 05-00 | Nut Lock Hex Flange 5/16-18      | --         | 589 45 39-01 | Kit ID Box –This kit includes  |
| 195        | 532 40 41-37 | Plug Hole Dash Lower             |            |              | Battery Hardware (532 44 09-23 Screw Hex Head Cap M6 x 1.2mm), 532 43 67-74 Nut Square M6 x 1.8.5 x 11mm; refer to pages 4 & 5 in this IPL, Chassis Parts/Hardware (532 44 28-87 Tow Hitch), (532 43 66-41 Bagger Full Lever); refer to pages 6 & 7 in this IPL, Bagger Parts/Hardware (582 36 48-01 Bagger Latch), Bagger Presence Lever/Hardware (581 31 39-06 Bagger Presence lever), (586 93 60-01 Screw Buttonhead 10-24 x 1/2), (539 97 69-77 Nut Hex 10-24), (817 00 06-12 Screw Hexwsh Trdr 3/8-16 x 3/4), (872 11 06-08 Bolt Rdhd Sqnk 3/8-16 x 1 Gr. 5), (873 80 06-00 Nut Lock 3/8-16 unc); refer to pages 18 & 19 in this IPL. |
| 198        | 532 44 15-52 | Indicator Deck Lift              |            |              |  |
| 199        | 532 41 87-39 | Plate Deck Lift                  |            |              |  |
| 202        | 532 43 97-28 | Vent Side Hood RH                |            |              |  |
| 203        | 532 43 97-27 | Vent Side Hood LH                |            |              |  |
| 204        | 532 43 57-14 | Vent Top Hood                    |            |              |  |
| 205        | 532 43 97-30 | Trim Hood Side RH                |            |              |  |
| 206        | 532 43 97-29 | Trim Hood Side LH                |            |              |  |
| 207        | 587 46 48-01 | Bezel RH                         |            |              |  |
| 208        | 587 46 45-01 | Bezel LH                         |            |              |  |
| 213        | 874 76 05-12 | Bolt 5/16-18 x 3/4               |            |              |  |
| 214        | 532 19 91-45 | Clip Retainer Tinner             |            |              |  |
| 217        | 532 40 91-67 | Rod Pivot                        |            |              |  |
| 218        | 532 19 63-95 | X-Piece Hood Stop                |            |              |  |
| 228        | 532 19 51-61 | Stud Fastner                     |            |              |  |
| 235        | 532 40 61-29 | Spacer Fender                    |            |              |  |
| 236        | 873 93 05-00 | Nut Lock 5/16-18 unc             |            |              |  |
| 241        | 817 06 05-16 | Screw 5/16-18 x 1                |            |              |  |
| 246        | 591 44 90-01 | Spring                           |            |              |  |
| 247        | 582 55 26-02 | Strap Battery                    |            |              |  |
| 248        | 872 11 05-04 | Bolt Carr. 5/16-unc x 1/2        |            |              |  |
| 249        | 586 93 60-01 | Screw Buttonhead 10-24 x 1/2     |            |              |  |
| 250        | 539 97 69-77 | Nut #10-24 Hex Nylon Ring        |            |              |  |
| 251        | 589 31 89-04 | Backplate Support Bracket        |            |              |  |
| 252        | 581 99 22-04 | Backplate Support Bracket        |            |              |  |
| 253        | 872 11 04-06 | Bolt Carr.                       |            |              |  |
| 254        | 873 90 04-00 | Nut Hex Flange 1/4-20 unc        |            |              |  |
| 255        | 589 39 22-02 | Bolt Cross Drilled 3.8/16 x 1.75 |            |              |  |

**NOTE:** All component dimensions given in U.S. inches  
1 inch = 25.4 mm



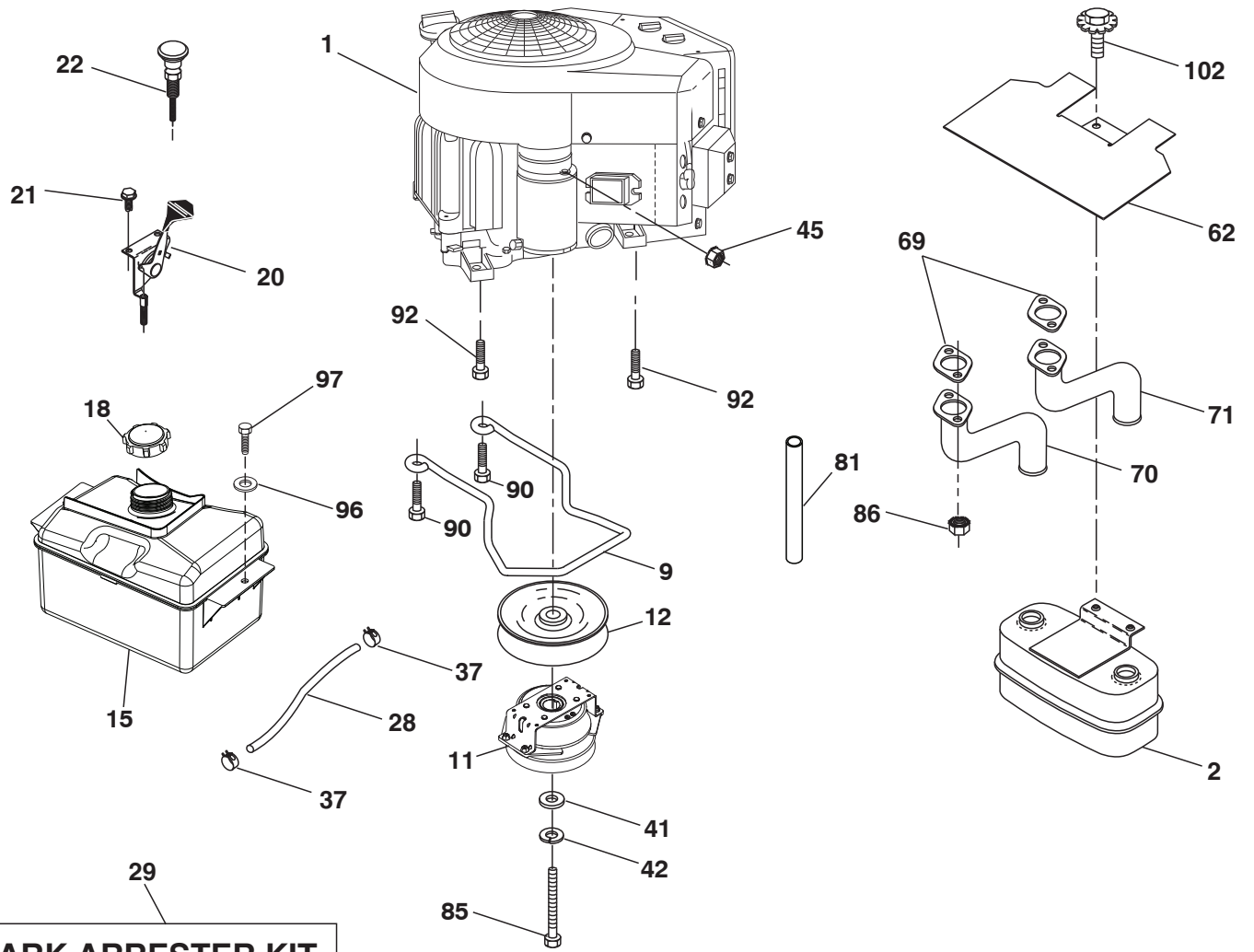


**TRACTOR - - MODEL NO. TC 238 (96051016300), PRODUCT NO. 960 51 01-63  
DRIVE **40****

| KEY NO. | PART NO.     | DESCRIPTION  | KEY NO. | PART NO.     | DESCRIPTION                       |
|---------|--------------|--|---------|--------------|-----------------------------------|
| 1       | ---          | Transaxle, Tufftorq K46DF (446488) (Order parts from trans-axle manufacturer.) | 196     | 817 00 06-16 | Screw 3/8-16 x 1 SMGML Tap/R Blk  |
| 2       | 532 12 35-83 | Key Square   | 197     | 585 65 86-01 | Link Clutch Anti-Rotation         |
| 6       | 532 12 40-28 | Bushing Snap   | 203     | 819 11 11-16 | Washer 11/32 x 11/16 x 16 Ga.     |
| 17      | 532 43 62-27 | Spring Brake K46   | 205     | 532 12 17-48 | Washer 25/32 x 1-5/8 x 16 Ga.     |
| 26      | 532 19 96-79 | Spring Return Cruise   | 206     | 532 44 85-96 | Bracket Mount Latch Cruise        |
| 27      | 817 49 05-28 | Screw Hexwsh Thd 5/16-18 x 1-3/4   | 207     | 587 03 14-01 | Latch Control Cruise              |
| 29      | 532 44 27-95 | Rod, Brake   | 208     | 532 19 78-69 | Gear Sector Control Cruise        |
| 30      | 819 13 16-16 | Washer   | 209     | 532 19 95-92 | Rod Control Cruise                |
| 33      | 812 00 00-01 | Ring E   | 210     | 532 40 09-80 | Rocker Asm. Pedal Control         |
| 35      | 583 86 45-01 | Rod, Brake, Park   | 211     | 532 12 01-83 | Bearing Nylon                     |
| 37      | 532 18 89-67 | Washer Harden .793 x 1.063 x .060  | 213     | 532 40 31-19 | Knob Control Cruise               |
| 38      | 532 16 96-13 | Nyliner Bushing  | 214     | 532 42 12-63 | Pedal Forward                     |
| 42      | 532 12 48-72 | Cover, Foot Pedal  | 215     | 586 60 65-02 | Pedal Reverse                     |
| 49      | 872 11 06-14 | Bolt Rdhd 3/8-16 unc x 3/4 Gr. 5   | 221     | 532 40 31-87 | Retainer Spring Clip Handle       |
| 50      | 532 19 43-27 | Idler Flat   | 222     | 879 21 20-10 | Washer 21/32 x 1-1/4 10 Ga.       |
| 51      | 873 90 06-00 | Lock Nut 3/8-16  | 226     | 532 40 15-64 | Bracket Strap Torque              |
| 52      | 532 19 43-26 | Idler V-Groove   | 227     | 817 49 05-12 | Screw                             |
| 56      | 591 06 53-01 | V-Belt, Drive  | 279     | 532 44 42-83 | Link Shift                        |
| 61      | 532 44 51-51 | Pulley Transaxle K46   | 280     | 819 11 10-12 | Washer 11/32 x 5/8 x 12 Ga.       |
| 64      | 532 19 78-65 | Shaft Asm. Pedal Brake Control   | 309     | 532 16 55-81 | Plate Fstnr Cross Shf             |
| 73      | 874 49 05-44 | Bolt Flanged   | 311     | 532 16 98-45 | Washer Nylon                      |
| 90      | 532 44 36-05 | Keeper Belt Clutching  | 312     | 532 16 56-14 | Hub Tapered                       |
| 92      | 874 76 05-20 | Bolt Fin Hex 5/16-18 unc x 1.25  | 313     | 874 78 04-16 | Bolt Hex Fin 1/4-20 unc x 1 Gr. 5 |
| 99      | 532 44 39-47 | Rod Spring Bypass  | 314     | 532 44 47-13 | Keeper Belt                       |
| 103     | 873 35 05-00 | Nut Hex Jam 5/16-18  | 315     | 817 58 05-20 | Screw Thdrol 5/16-18 x 4.25       |
| 116     | 873 90 05-00 | Nut Lock Hex Flange 5/16-18  | 335     | 532 19 95-34 | Pulley V-Idler                    |
| 125     | 817 00 05-12 | Screw 5/16-18 x 3/4  | 336     | 587 25 96-01 | Bolt 5/16-18 x 1-3/4 Flanged hex  |
| 140     | 810 04 04-00 | Washer Lock Hvy Helical 1/4  | 339     | 532 43 68-67 | Strap Torque K46 CRD Tex          |
| 143     | 817 49 05-08 | Screw 5/16-18 x 1/2  | 342     | 532 18 26-82 | Keeper Belt 2.5" STL V-Idlr CRD   |
| 159     | 876 02 04-12 | Pin Cotter 1/8 x 3/4   | 343     | 539 11 28-99 | Nut 5/16-18 Hex Flanged Nyloc     |
| 160     | 532 16 94-84 | Retainer Clip  | 351     | 532 43 69-98 | Bracket 97 CRD Deck Sway          |
| 161     | 532 10 57-09 | Spring, Return, Clutch   | 352     | 532 43 56-45 | Bracket Idler CRD Tex             |
| 163     | 532 44 27-93 | Rod Control  | 355     | 532 43 56-69 | Strap Torque                      |
| 166     | 532 42 91-64 | Nut Push   | 359     | 817 49 06-10 | Screw Thdrol 3/8-16 x 5/8         |
| 167     | 532 40 52-57 | Latch Brake Parking  | 360     | 532 44 47-14 | Nut 5/16-24 unf                   |
| 175     | 532 42 93-59 | Shaft Asm Crossshift Rear CRD  | 362     | 532 43 68-12 | Idler Flat                        |
| 183     | 532 13 70-57 | Spacer Axle  | 363     | 532 44 27-80 | Spacer .343 x .63 x .62           |
| 184     | 587 65 37-01 | Handle Parking Brake   | 364     | 532 44 30-32 | Bracket Idler CRD Tex             |
| 185     | 872 11 06-22 | Bolt 3/8-16 unc x 2-3/4 Gr. 5  | 372     | 582 65 49-01 | Keeper Belt Transaxle             |
| 186     | 532 19 43-21 | Spacer Retainer  |         |              |                                   |
| 188     | 582 21 70-01 | Link Clutch  |         |              |                                   |
| 189     | 532 43 36-11 | Bellcrank Ground Drive   |         |              |                                   |
| 195     | 580 45 69-01 | Bracket Rod Brake CRD Tex  |         |              |                                   |

**NOTE:** All component dimensions given in U.S. inches  
1 inch = 25.4 mm

TRACTOR - - MODEL NO. TC 238 (96051016300), PRODUCT NO. 960 51 01-63  
ENGINE **24**



**SPARK ARRESTER KIT**

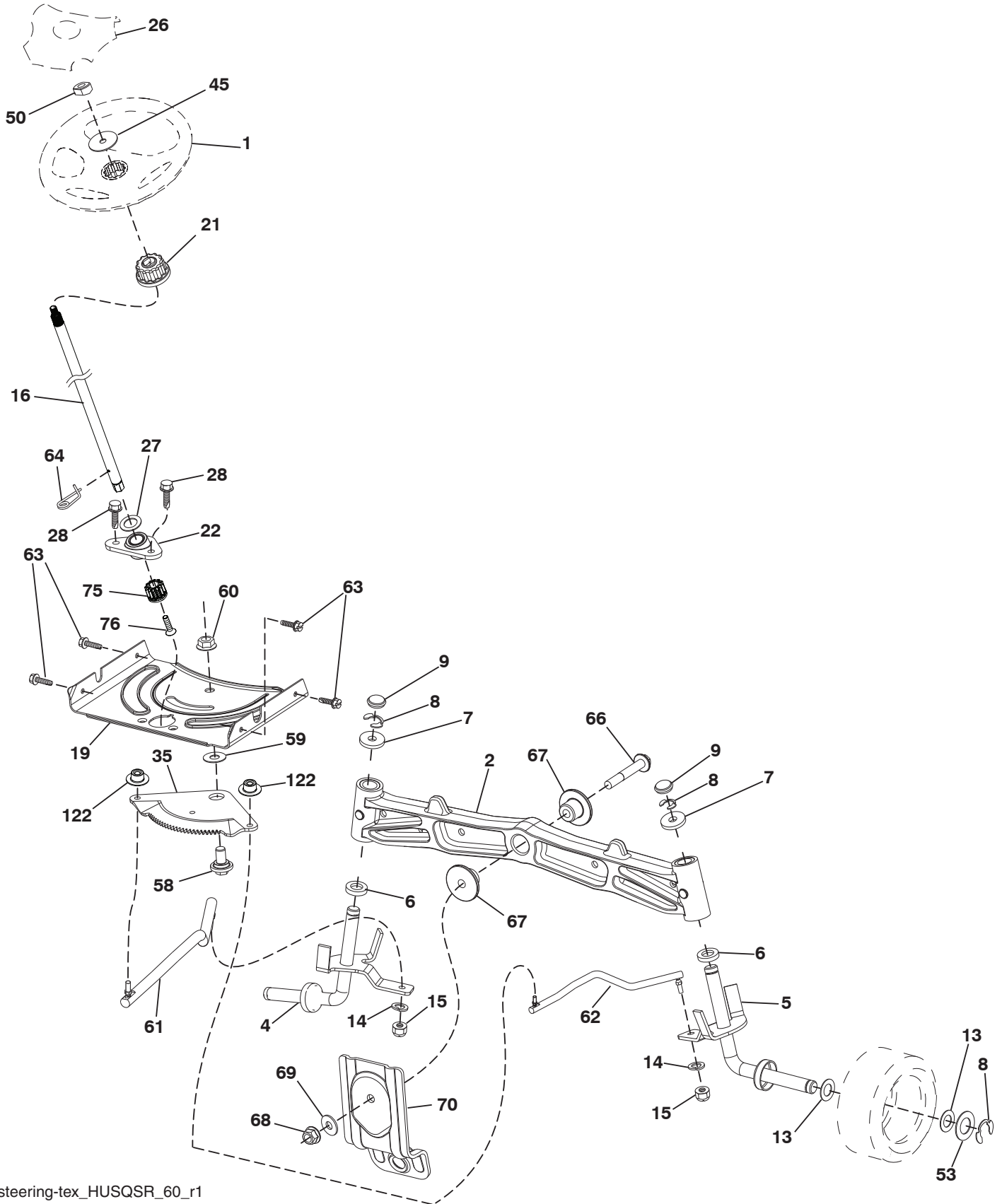
engine-tex\_Kawa-2cyl\_62

**TRACTOR - - MODEL NO. TC 238 (96051016300), PRODUCT NO. 960 51 01-63  
ENGINE 24**

| <b>KEY NO.</b> | <b>PART NO.</b> | <b>DESCRIPTION</b>  |
|----------------|-----------------|---|
| 1              | — — — — —       | Engine Kawa Model No. FR600V-AS11 (581477001) (Order parts from engine manufacturer.) |
| 2              | 589 81 87-01    | Muffler   |
| 9              | 501 83 26-02    | Keeper Belt Engine  |
| 11             | 587 24 16-01    | Clutch Ogura  |
| 12             | 532 40 50-97    | Pulley Engine   |
| 15             | 581 29 01-01    | Tank Fuel   |
| 18             | 532 43 02-20    | Cap Asm   |
| 20             | 532 41 21-65    | Control Throttle  |
| 21             | 532 41 63-58    | Screw # 10 x 0.750  |
| 22             | 532 19 15-96    | Choke Control   |
| 28             | 587 04 46-60    | Fuel Line   |
| 29             | 532 13 71-80    | Spark Arrester Kit  |
| 37             | 532 12 34-87    | Clamp Hose  |
| 41             | 532 12 61-97    | Washer  |
| 42             | 539 99 02-47    | Washer SLW STD 7/16   |
| 45             | 873 51 04-00    | Nut Keps Hex 1/4-20 unc   |
| 62             | 532 43 40-17    | Shield Heat Muffler   |
| 69             | 532 17 81-51    | Gasket  |
| 70             | 583 95 57-01    | Tube Exhaust RH   |
| 71             | 583 95 56-01    | Tube Exhaust LH   |
| 81             | 532 14 84-56    | Tube Drain Oil  |
| 85             | 501 60 66-01    | Bolt Hex 7/16-20 x 3.75 Gr 5  |
| 86             | 532 18 43-62    | Nut Hex Flange Toplock M8-1.25  |
| 90             | 817 00 06-16    | Screw 3/8-16 x 1  |
| 92             | 817 12 06-16    | Screw 3/8-16 x 1  |
| 96             | 819 09 14-16    | Washer 9/32 x 7/8 x 16 Ga.  |
| 97             | 817 67 04-12    | Screw 1/4-20 x 3/4  |
| 102            | 817 00 05-12    | Screw 5/16-18 x 3/4   |

**NOTE:** All component dimensions given in U.S. inches  
1 inch = 25.4 mm

TRACTOR - - MODEL NO. TC 238 (96051016300), PRODUCT NO. 960 51 01-63  
STEERING ASSEMBLY **41**



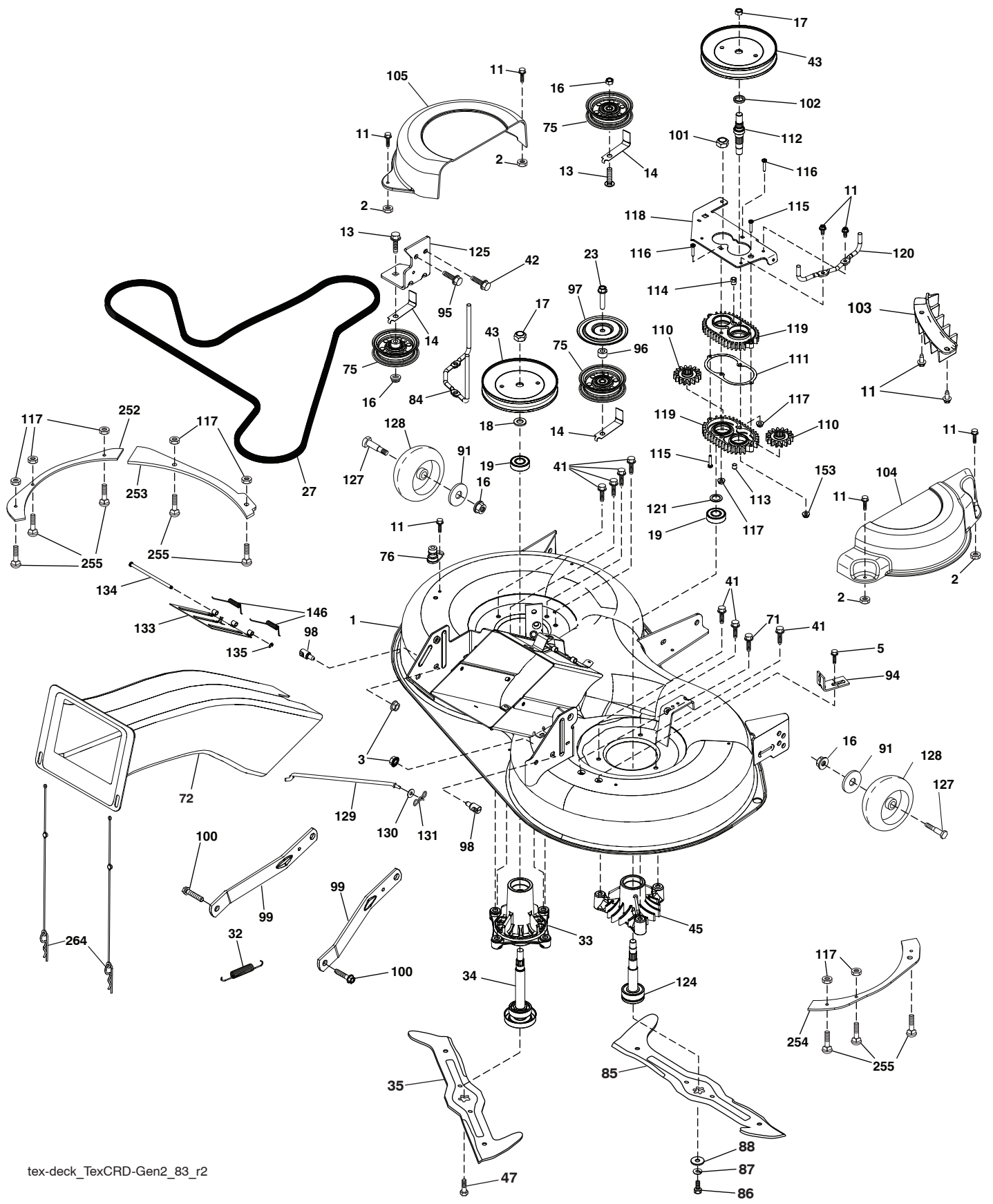
steering-tex\_HUSQSR\_60\_r1

**TRACTOR - - MODEL NO. TC 238 (96051016300), PRODUCT NO. 960 51 01-63  
STEERING ASSEMBLY 41**

| <b>KEY NO.</b> | <b>PART NO.</b> | <b>DESCRIPTION</b>                  |
|----------------|-----------------|-------------------------------------|
| 1              | 532 43 97-40    | Wheel, Steering                     |
| 2              | 532 19 59-68    | Axle Asm., Front                    |
| 4              | 532 40 30-87    | Spindle Asm., LH                    |
| 5              | 532 40 30-88    | Spindle Asm., RH                    |
| 6              | 532 12 49-31    | Washer Thrust 0.75 x 1.23           |
| 7              | 532 12 17-48    | Washer 25/32 x 1-5/8 x 16 Ga.       |
| 8              | 812 00 00-29    | Ring, Klip #T5304-75                |
| 9              | 532 12 12-32    | Cap, Spindle                        |
| 13             | 532 12 17-49    | Washer 25/32 x 1-1/4 x 16 Ga.       |
| 14             | 539 99 01-18    | Washer, SLW ZD 3/8                  |
| 15             | 873 54 06-00    | Nut, Crown Lock 3/8-24 unf          |
| 16             | 587 01 60-02    | Shaft Steering                      |
| 19             | 532 19 47-29    | Plate Steering                      |
| 21             | 586 84 02-01    | Adapter, Wheel Steering Splnd Alum  |
| 22             | 585 02 98-02    | Bearing Subasm Shaft Steer Low      |
| 26             | 532 43 97-43    | Insert, Wheel Steering              |
| 27             | 819 21 16-16    | Washer 21/32 x 1 x 16 Ga.           |
| 28             | 817 00 06-12    | Screw 3/8-16 x 3/4                  |
| 35             | 532 19 47-32    | Gear, Sector Plate                  |
| 45             | 587 01 64-01    | Washer 3/8 ID 2-3/8 OD 12 Ga. PLTD  |
| 50             | 873 90 06-00    | Nut Lock Flg. 3/8-16 unc            |
| 53             | 532 18 89-67    | Washer Hardened .793 x 1.637 x .060 |
| 58             | 532 19 47-47    | Bolt Shoulder Sector Pivot CFM      |
| 59             | 532 19 47-48    | Washer Thrust Sector Steering       |
| 60             | 873 97 10-00    | Nut Flange Lock 5/8-11              |
| 61             | 588 79 44-01    | Draglink, LH                        |
| 62             | 588 79 45-01    | Draglink, RH                        |
| 63             | 817 00 05-12    | Screw 5/16-18 x 3/4                 |
| 64             | 532 19 98-49    | Retainer Clip Spring Steering       |
| 66             | 871 02 07-48    | Bolt Hex Fghd 7/16-14 x 3 Serr      |
| 67             | 532 19 47-37    | Bushing PM Front Axle               |
| 68             | 873 90 07-00    | Nut Lock Flange 7/16-14 Gr. 5       |
| 69             | 532 19 91-62    | Washer 1.5 x .505 x .118            |
| 70             | 585 33 88-01    | Bracket Deck Susp. Front            |
| 75             | 580 68 37-01    | Pinion                              |
| 76             | 580 68 36-01    | Screw Head Sock                     |
| 122            | 532 44 49-62    | Cap Gear                            |

**NOTE:** All component dimensions given in U.S. inches  
1 inch = 25.4 mm

TRACTOR - - MODEL NO. TC 238 (96051016300), PRODUCT NO. 960 51 01-63  
 MOWER DECK **44**



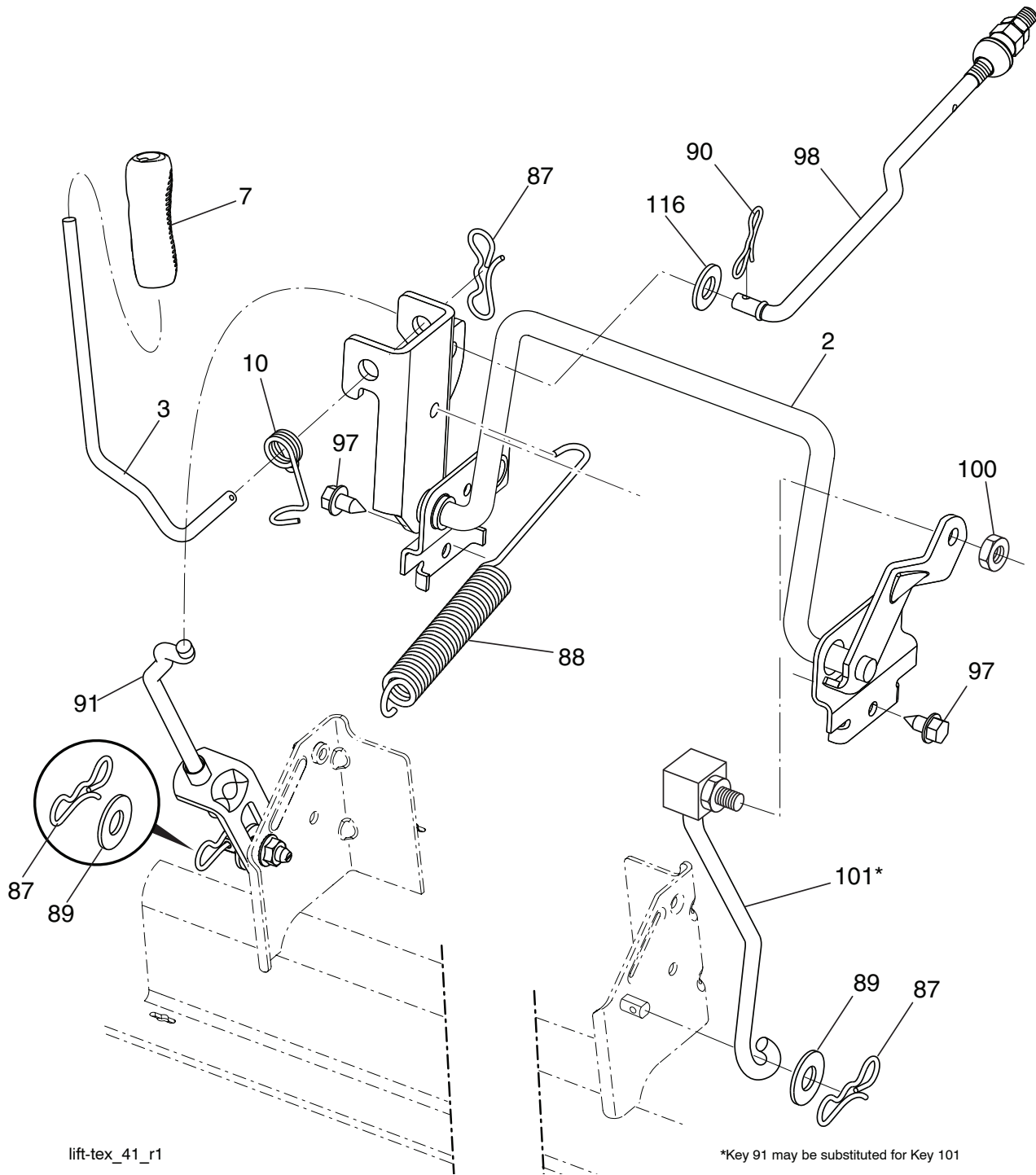
tex-deck\_TexCRD-Gen2\_83\_r2

**TRACTOR - - MODEL NO. TC 238 (96051016300), PRODUCT NO. 960 51 01-63  
MOWER DECK 44**

| KEY<br>NO. | PART<br>NO.  | DESCRIPTION                       | KEY<br>NO. | PART<br>NO.  | DESCRIPTION   |
|------------|--------------|-----------------------------------|------------|--------------|---|
| 1          | 580 46 53 02 | Deck Weldment                     | 112        | 532 44 38-52 | Shaft Gearcase  |
| 2          | 532 42 30-62 | Palnut 1/4                        | 113        | 532 43 85-33 | Plug Oil  |
| 3          | 873 90 05-00 | Nut Lock Hex Flange 5/16-18       | 114        | 588 17 05-01 | Valve Breather  |
| 5          | 817 00 05-10 | Bolt 5/16-18                      | 115        | 818 03 10-16 | Screw Torx #10-24 x 1   |
| 11         | 532 13 77-29 | Screw Thd Roll 1/4-20 x 5/8       | 116        | 872 11 04-14 | Bolt 1/4-20 x 1.75 Gr. 5  |
| 13         | 872 11 06-12 | Bolt Carr Sh 3/8-16 x 1-1/2 Gr. 5 | 117        | 873 90 04-00 | Nut Hex Flange 1/4-20 unc   |
| 14         | 532 15 60-85 | Keeper Belt Idler                 | 118        | 532 43 69-89 | Arm Clutching   |
| 16         | 873 90 06-00 | Nut Lock FIG 3/8-16 unc           | 119        | 532 43 81-66 | Gearcase Subasm   |
| 17         | 532 40 02-34 | Nut Flange Lock Top               | 120        | 532 43 69-91 | Keeper Belt RH  |
| 18         | 532 18 76-90 | Washer Spacer Mandrel             | 121        | 532 43 69-85 | Washer  |
| 19         | 585 32 39-01 | Bearing Mandrel                   | 124        | 532 43 69-86 | Non Greasable Mandrel Shaft   |
| 23         | 817 49 06-28 | Screw Thdrol 3/8-16 x 1-3/4       | 125        | 532 43 69-94 | Bracket Idler Chassis   |
| 27         | 532 44 58-34 | V-Belt Drive                      | 127        | 532 19 34-06 | Bolt Shoulder 3/8-16 x 3-5/8 Gr. 5  |
| 32         | 532 44 62-05 | Spring Return Deck                | 128        | 532 17 48-73 | Wheel Gauge   |
| 33         | 532 18 72-81 | Mandrel Asm. Tall                 | 129        | 532 44 32-37 | Rod Anti-Sway   |
| 34         | 587 25 65-01 | Shaft Asm Mndrl                   | 130        | 819 13 13-12 | Washer 13/32 x 13/16 x 12 Ga.   |
| 35         | 532 42 79-84 | Blade Mower LH                    | 131        | 532 19 42-08 | Pin Cotter 5/16 Bow Tie Lock  |
| 41         | 584 95 39-01 | Bolt Hex WSHRHD 3/16-18 x 1.19    | 133        | 532 43 55-38 | Mulch Door  |
| 42         | 817 00 05-12 | Screw 5/16-18 x 3/4               | 134        | 532 43 58-61 | Pin Hinge   |
| 43         | 532 19 97-89 | Pulley Mandrel                    | 135        | 532 43 79-88 | E-Ring 5/16   |
| 45         | 532 13 71-52 | Mandrel Asm. Short                | 146        | 532 44 58-96 | Spring Tex CRD EZ Mulch   |
| 47         | 584 30 93-01 | Screw SEMS 7/16-20 x 1            | 153        | 593 27 46-01 | Nut Hex 9/16-18 unf w/HD Epoxy-Lock   |
| 71         | 817 67 06-08 | Screw Thdrol 3/8-16 x 1/2 TYT BL  |            |              |   |
| 72         | 581 45 41-03 | Chute Upper                       | 252        | 585 30 87-05 | Plate Reinforcement LH FT   |
| 75         | 532 13 14-94 | Pulley Idler Flat                 | 253        | 585 30 88-05 | Plate Reinforcement LH  |
| 76         | 532 41 55-98 | Washout Port                      | 254        | 585 30 90-05 | Plate Reinforcement RH  |
| 84         | 532 40 01-40 | Keeper Belt Mandrel               | 255        | 539 10 98-00 | Carriage Bolt   |
| 85         | 532 42 79-85 | Blade Mower RH                    | 264        | 589 39 29-01 | Retainer Chute Asm.   |
| 86         | 532 18 17-13 | Bolt 3/8-24 x 1.50 Gr. 8          | --         | 587 25 33-01 | Mandrel Assembly Tall (Includes Housing (key #33), Shaft Assembly (key #34), And Bearing Only (key #19) - Pulley/Nut/Washer And Blade Bolt/Washers Not Included)  |
| 87         | 539 99 01-18 | Washer SLW ZD 3/8                 |            |              |   |
| 88         | 532 14 02-96 | Wahser Blade                      |            |              |   |
| 91         | 819 13 20-12 | Washer 13/32 x 1-1/4 x 12 Ga.     | --         | 589 88 23-01 | Replacement Mower Complete  |
| 94         | 532 19 72-50 | Bracket Clutch Cable              | --         | 532 44 81-32 | Gear Case Kit – Use .75 oz. Shell 460 oil (Include Gear Output (key #110), Gasket Gearcase (key #111), Shaft Gearcase (key #112), Plug Oil (key #113), Vent Breather 1/8 NPT (key #114), Screw Torx (key #115), Gearcase Subasm (key #119)) |
| 95         | 817 00 06-12 | Screw 3/8-16 x 3/4                |            |              |   |
| 96         | 532 40 02-71 | Spacer                            |            |              |   |
| 97         | 532 18 20-61 | Shield Idler Mower                |            |              |   |
| 98         | 532 19 51-61 | Stud Fastener                     |            |              |   |
| 99         | 532 19 51-86 | Arm Suspension Mower Rear         |            |              |   |
| 100        | 532 19 65-39 | Bolt Shoulder                     |            |              |   |
| 101        | 873 68 09-00 | Nut Crownlock 9/16-18 unc         |            |              |   |
| 102        | 532 40 25-11 | Spacer Bearing Swing Plate        |            |              |   |
| 103        | 532 43 69-92 | Guard Front Vent                  |            |              |   |
| 104        | 532 43 89-68 | Mandrel Cover RH                  |            |              |   |
| 105        | 532 43 87-44 | Mandrel Cover LH                  |            |              |   |
| 110        | 587 93 48-01 | Gear Output                       |            |              |   |
| 111        | 532 43 69-79 | Gasket Gearcase                   |            |              |   |

**NOTE:** All component dimensions given in U.S. inches  
1 inch = 25.4 mm

**TRACTOR - - MODEL NO. TC 238 (96051016300), PRODUCT NO. 960 51 01-63**  
**MOWER LIFT 45**



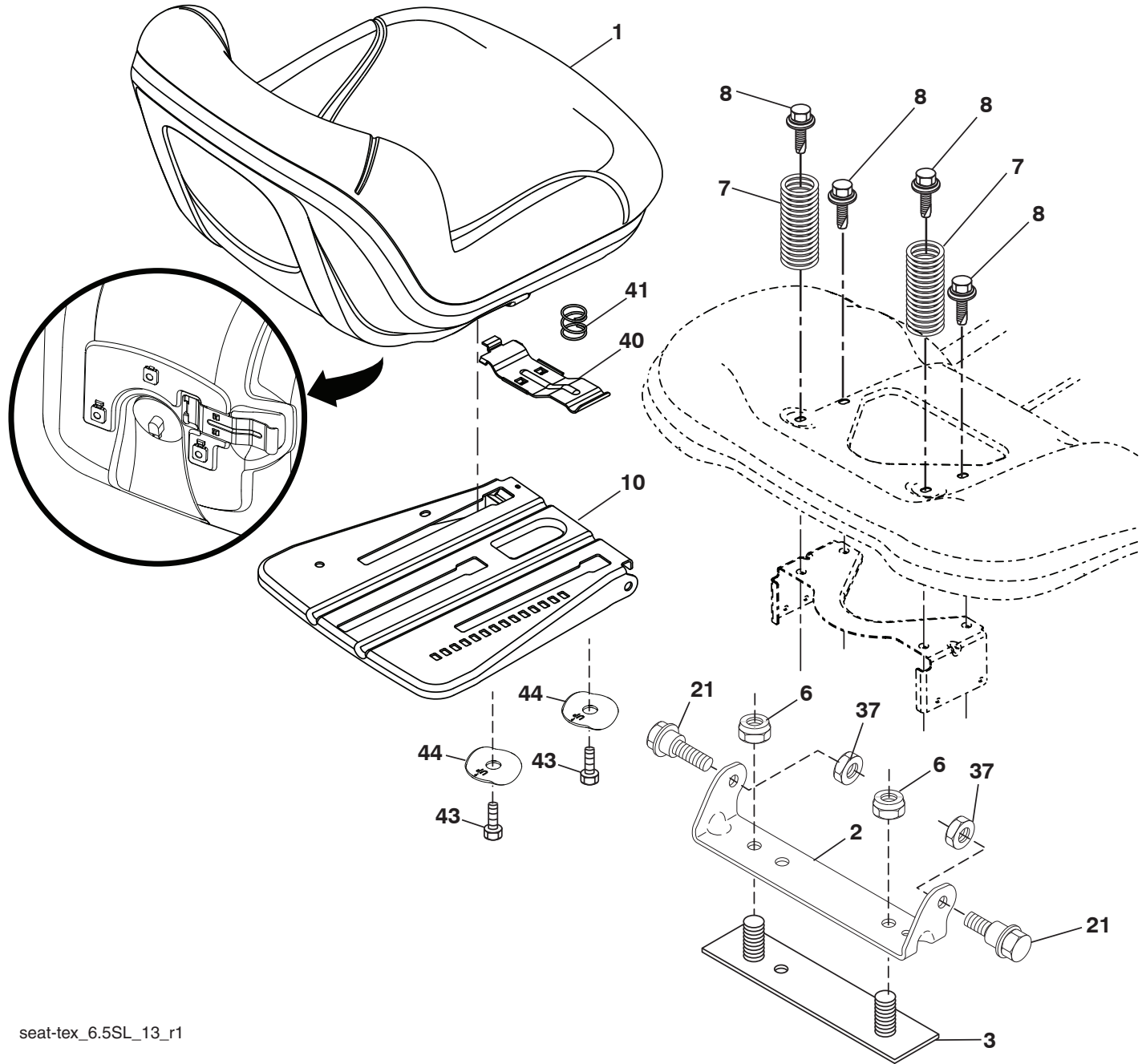
| KEY NO. | PART NO.     | DESCRIPTION                  |
|---------|--------------|------------------------------|
| 2       | 532 43 69-96 | Deck Lift Weldment           |
| 3       | 532 19 52-31 | Lever Asm., Lift RH          |
| 7       | 580 96 23-01 | Grip, Lever                  |
| 10      | 532 19 63-14 | Spring Torsion               |
| 87      | 532 19 42-09 | Pin Cotter 7/16 Bow Tie Lock |
| 88      | 532 44 54-96 | Spring Lift Assist           |
| 89      | 819 19 19-12 | Washer Clear Zinc            |
| 90      | 532 19 42-08 | Pin Cotter 5/16 Bow Tie Lock |
| 91      | 532 19 51-81 | Link Lift Susp Mower Rear    |

| KEY NO. | PART NO.     | DESCRIPTION                   |
|---------|--------------|-------------------------------|
| 97      | 817 49 06-08 | Screw 3/8-16 x 1/2            |
| 98      | 532 19 52-70 | Link Lift Susp. Front Mower   |
| 100     | 873 93 06-00 | Nut Centerlock 3/8-16 unc     |
| 101     | 532 40 70-03 | Link Asm. Lift Fixed          |
| 116     | 819 15 15-16 | Washer 15/32 x 15/16 x 16 Ga. |

**NOTE:** All component dimensions given in U.S. inches  
 1 inch = 25.4 mm



**TRACTOR - - MODEL NO. TC 238 (96051016300), PRODUCT NO. 960 51 01-63  
SEAT ASSEMBLY 42**



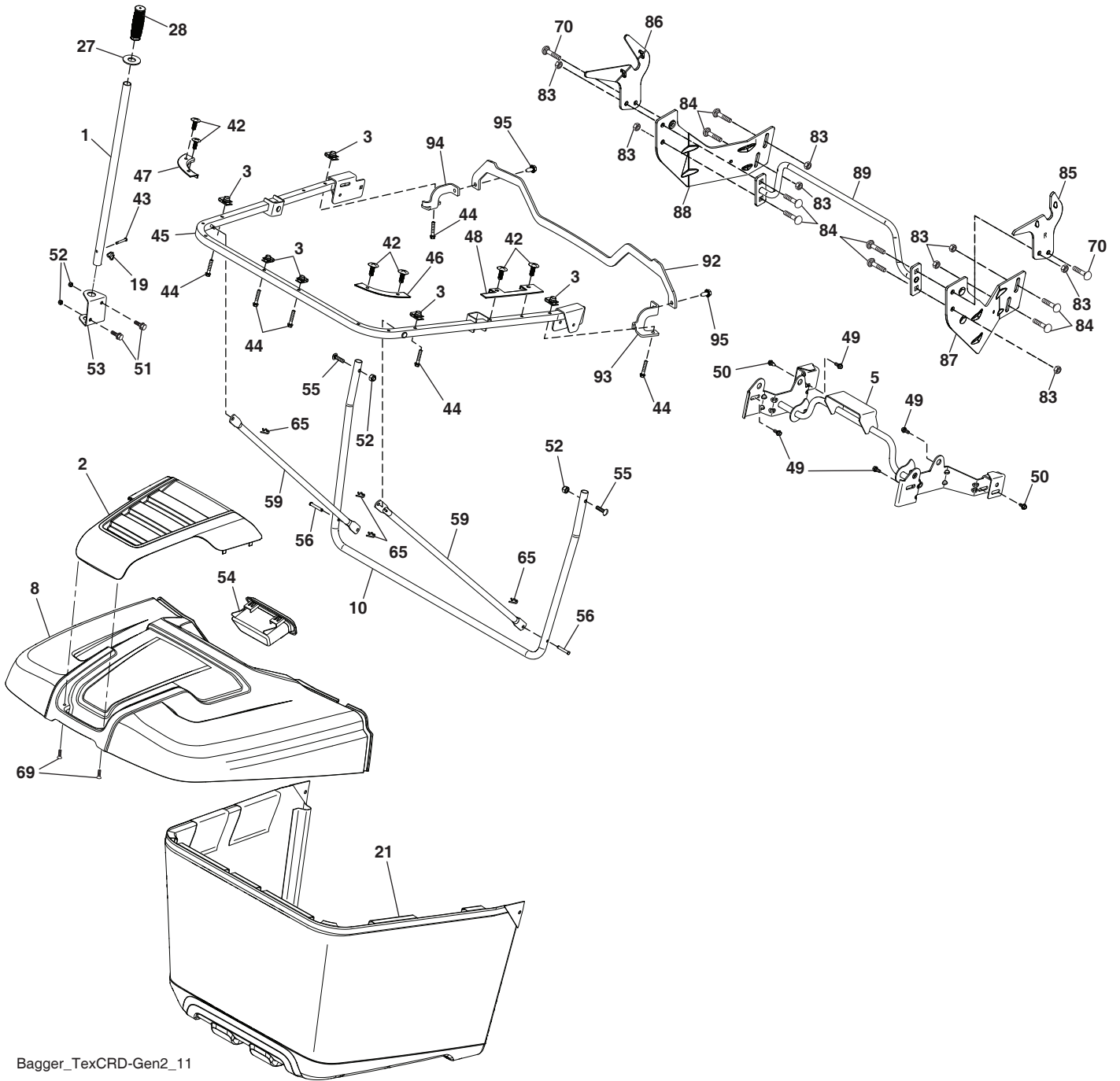
seat-tex\_6.5SL\_13\_r1

| KEY NO. | PART NO.     | DESCRIPTION                   |
|---------|--------------|-------------------------------|
| 1       | 532 43 98-22 | Seat                          |
| 2       | 532 18 01-66 | Bracket Pivot Fender          |
| 3       | 532 14 06-75 | Strap, Asm Fender             |
| 6       | 873 80 06-00 | Nut, Lock W/Ins. 3/8-16 unc   |
| 7       | 589 48 35-01 | Spring, Seat Cprsn            |
| 8       | 532 17 18-77 | Bolt 5/16-18 unc x 3/4 w/Sems |
| 10      | 587 23 20-02 | Pan, Seat                     |
| 21      | 587 90 78-01 | Bolt, Shoulder 5/16-18 x 5/8  |
| 37      | 873 80 05-00 | Nut, Lock 5/16-18 unc         |

| KEY NO. | PART NO.     | DESCRIPTION                   |
|---------|--------------|-------------------------------|
| 40      | 532 19 76-61 | Handle Slide Seat             |
| 41      | 532 19 82-00 | Spring Latch Seat             |
| 43      | 874 76 06-12 | Bolt Fin Hex 3/8-16 unc x 3/4 |
| 44      | 501 05 18-01 | Washer Winged 3/8 ID 1.5 OD   |

**NOTE:** All component dimensions given in U.S. inches  
1 inch = 25.4 mm

TRACTOR - - MODEL NO. TC 238 (96051016300), PRODUCT NO. 960 51 01-63  
BAGGER **46**



Bagger\_TexCRD-Gen2\_11

**TRACTOR - - MODEL NO. TC 238 (96051016300), PRODUCT NO. 960 51 01-63  
BAGGER 46**

| <b>KEY NO.</b> | <b>PART NO.</b> | <b>DESCRIPTION</b>             |
|----------------|-----------------|--------------------------------|
| 1              | 532 42 86-10    | Tube Handle Bagger             |
| 2              | 532 44 75-72    | Applique                       |
| 3              | 532 17 48-14    | Clip                           |
| 5              | 532 44 37-62    | Upper Pivot Tube               |
| 8              | 532 44 75-75    | Bagger Top                     |
| 10             | 532 44 37-55    | Frame Front                    |
| 19             | 532 19 42-08    | Cotter Pin 5/16 Bow Tie        |
| 21             | 581 33 71-03    | Bag Asm                        |
| 27             | 532 44 55-29    | Grommet Rubber                 |
| 28             | 532 16 57-87    | Grip Handle                    |
| 42             | 532 44 04-28    | Clip                           |
| 43             | 532 12 68-75    | Clevis Pin                     |
| 44             | 532 19 96-87    | Bolt 1/4-20                    |
| 45             | 532 44 37-54    | Upper Frame                    |
| 46             | 532 44 55-41    | Bag Corner Close Out RH        |
| 47             | 532 44 40-79    | Bag Corner Close Out LH        |
| 48             | 532 44 40-80    | Top Bagger Side Close Out      |
| 49             | 532 17 18-73    | Bolt Shoulder 5/16-18          |
| 50             | 532 17 18-77    | Bolt 5/16-18 x 3/4 W/Sems      |
| 51             | 872 11 05-06    | Bolt 5/16 x 18 x 3/4           |
| 52             | 873 80 05-00    | Nut Lock Hex W/Ins 5/16-18 unc |
| 53             | 532 44 41-95    | Bracket Dump Handle            |
| 54             | 532 44 72-18    | Bagger Top Front Handle        |
| 55             | 872 14 05-12    | Bolt 5/16-18 x 1-1/2           |
| 56             | 532 42 03-06    | Pin Clevis .183 x 1.26         |
| 59             | 532 44 47-63    | Bagger Sprd Tube               |
| 65             | 532 12 47-88    | Clip Retainer                  |
| 69             | 532 42 18-01    | Screw #8 Flat Head Drill       |
| 70             | 817 00 06-12    | Screw 3/8-16 x 3/4             |
| 83             | 873 80 06-00    | Nut Lock Hex w/Ins. 3/8-16 unc |
| 84             | 872 11 06-08    | Bolt 3/8-16 x 1 Gr. 5          |
| 85             | 581 31 44-02    | Bracket RH Pivot               |
| 86             | 581 31 43-02    | Bracket LH Pivot               |
| 87             | 581 31 48-02    | Bracket RH                     |
| 88             | 581 31 47-02    | Bracket LH                     |
| 89             | 581 31 51-04    | Weldment Offset Strut          |
| 92             | 586 05 23-02    | Bracket Top Support            |
| 93             | 586 05 24-02    | Bracket Support RH             |
| 94             | 586 05 25-02    | Bracket Support LH             |
| 95             | 817 00 05-12    | Screw 5/16-18 x 3/4            |

**NOTE:** All component dimensions given in U.S. inches  
1 inch = 25.4 mm

