

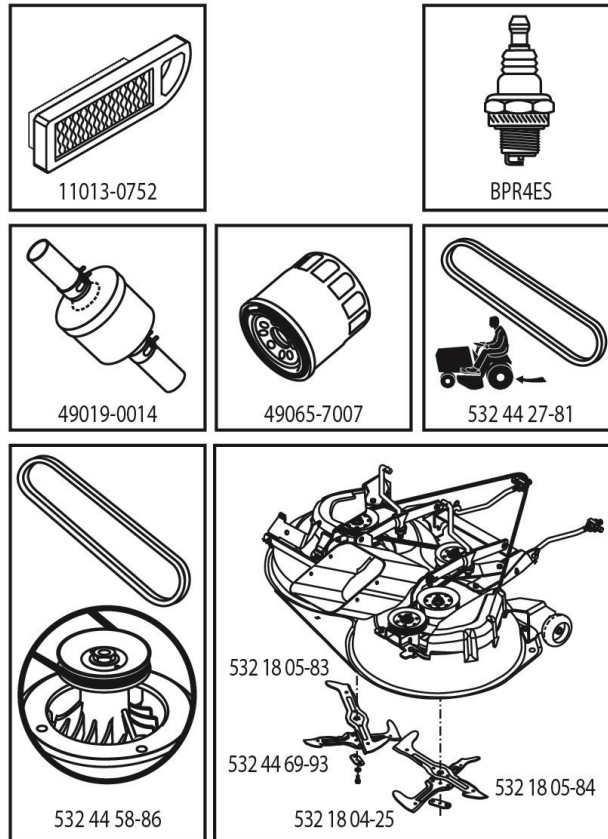
# ILLUSTRATED PARTS LIST

**MFG. ID NO. 96051014801**

**CUSTOMER CATALOG NO. TC 342T**

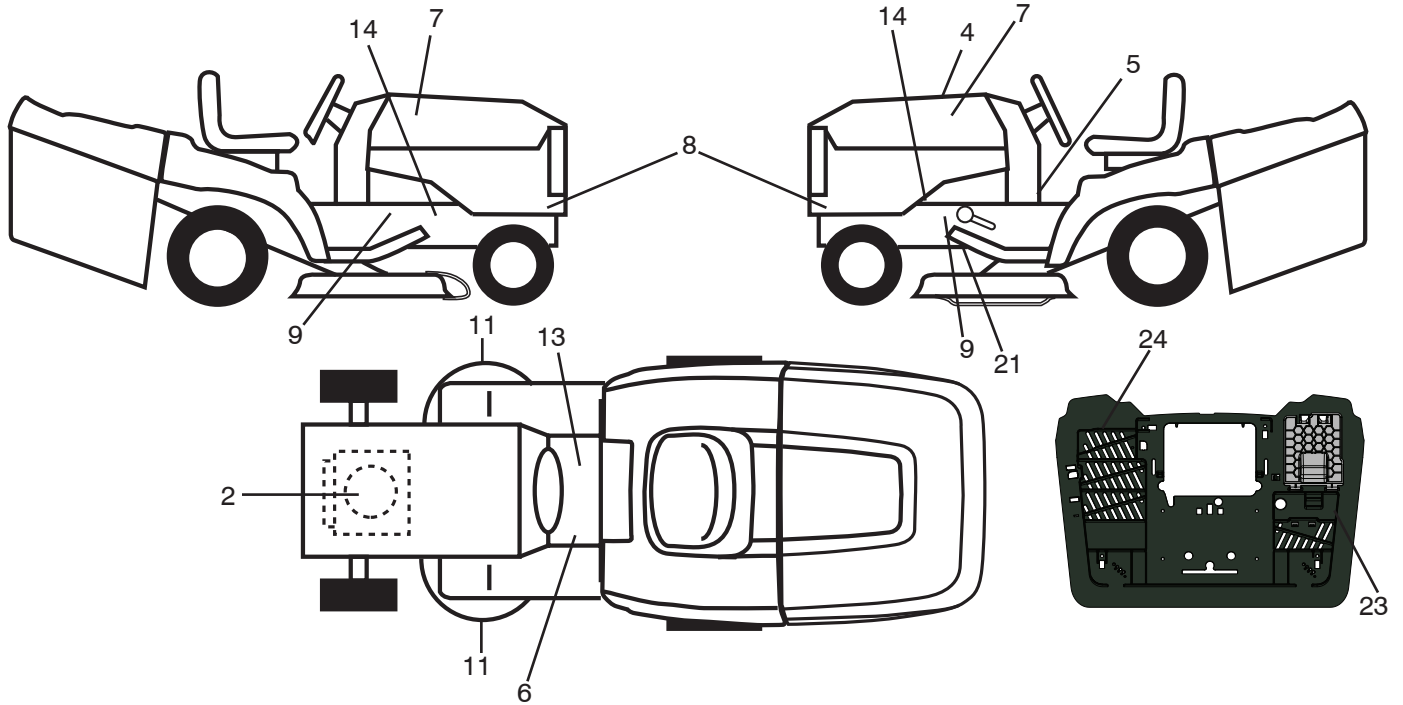
**PRODUCT NO. 960 51 14-80**

**47**



**589494301**

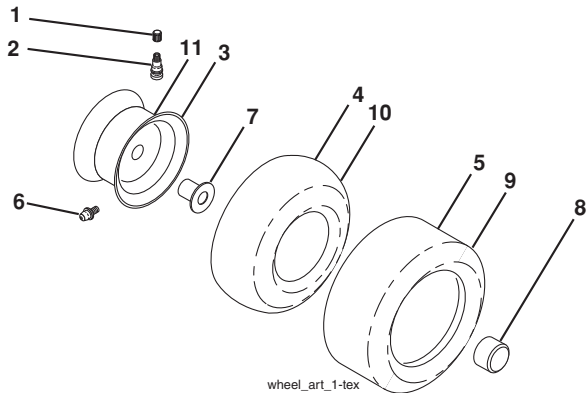
**TRACTOR - MODEL NO. TC 342T (96051014801), PRODUCT NO. 960 51 01-48**  
**DECALS 27**



KEY NO.	PART NO.	DESCRIPTION
2	581 57 97-01	Decal, Warning Eng.
4	592 94 99-01	Decal, Replacement
5	581 57 84-01	Decal, Lower Dash
6	581 57 83-01	Decal, Warning
7	581 62 73-01	Decal, Hood
8	589 51 47-01	Decal, Side Panel
9	581 57 98-01	Decal, Warning
11	581 57 91-01	Decal, Mower Cut Finger Symbol
13	586 80 03-01	Decal, Tractor Saddle
14	581 57 96-01	Decal, Chassis Hot Muffler
21	532 44 11-89	Decal, Belt Schematic

KEY NO.	PART NO.	DESCRIPTION
23	532 44 46-19	Decal, Bypass
24	532 44 54-93	Decal, Warning Combined
--	532 44 14-09	Pad Footrest LH
--	532 44 14-10	Pad Footrest RH
--	115 94 34-20	Manual Operator's (Euro)
--	115 94 36-10	Manual Operator's (Scan)
--	115 94 35-50	Manual Operator's (E-Bloc)
--	115 94 37-40	Manual Operator's (Baltic)

**WHEELS AND TIRES**



wheel\_art\_1-tex

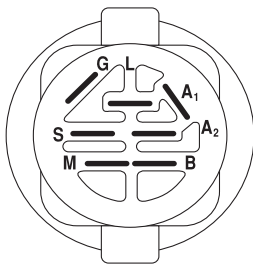
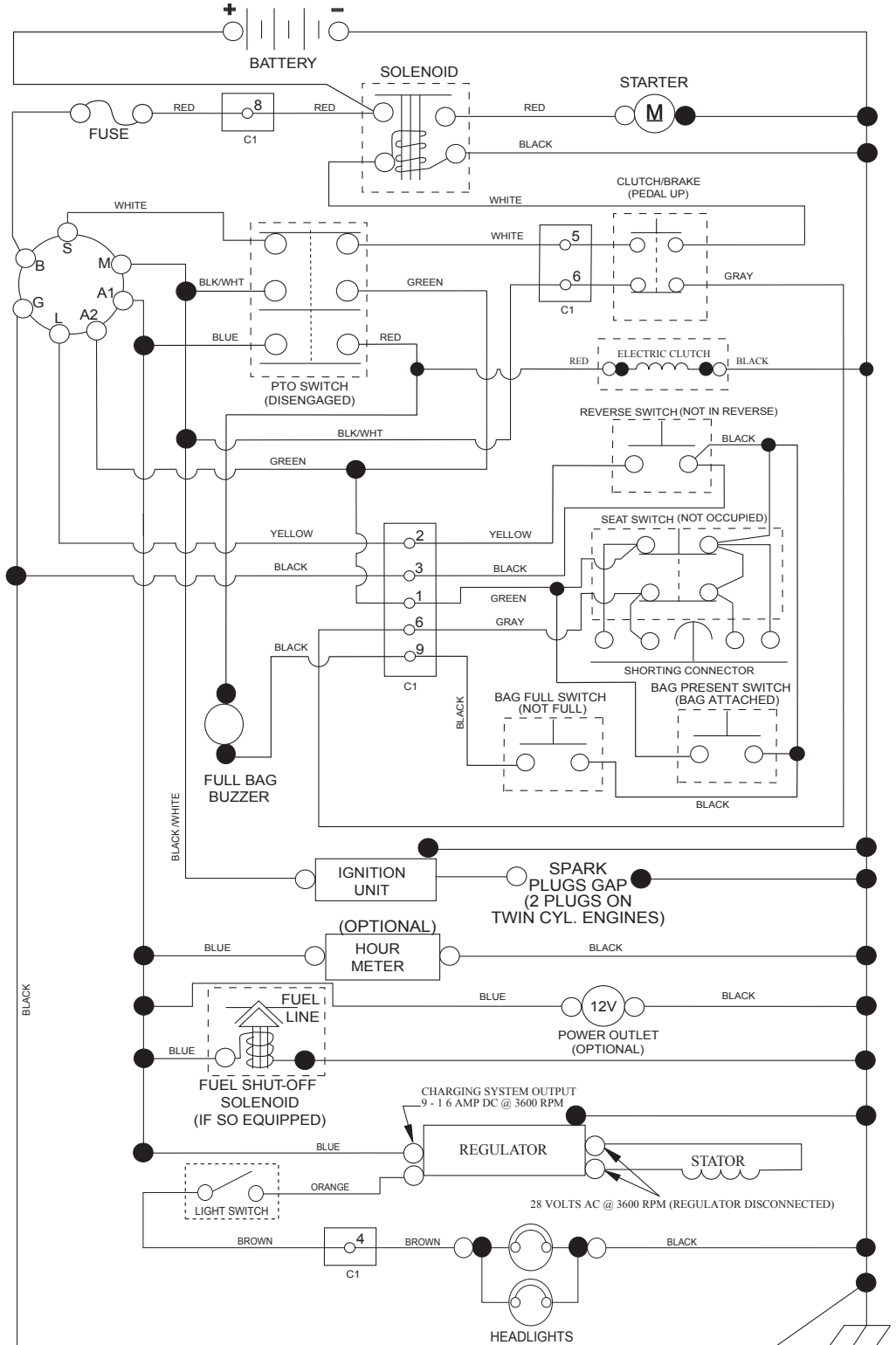
KEY NO.	PART NO.	DESCRIPTION
1	532 05 91-92	Cap Valve Tire
2	532 06 51-39	Stem Valve
3	532 13 83-36	Rim Front
4	532 05 99-04	Tube Front (Service Item Only)
5	532 17 04-55	Tire Front 15 x 6-6
6	532 12 49-57	Fitting Grease (Front Wheel Only)
7	532 12 49-59	Bearing Flange (Front Wheel Only)
8	532 17 50-39	Cap Axle Blk 1 50 x 1 00
9	588 69 19-01	Tire Rear 18 x 9.5-8
10	532 12 49-26	Tube Rear (Service Item Only)
11	532 13 83-37	Rim Asm 8" Rear
--	532 14 43-34	Sealant, Tire (10 oz. Tube)

**NOTE:** All component dimensions given in U.S. inches  
 1 inch = 25.4 mm

# TRACTOR - MODEL NO. TC 342T (96051014801), PRODUCT NO. 960 51 01-48

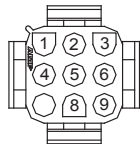
## SCHEMATIC **38**

SCH19

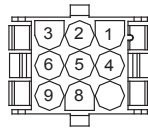


IGNITION SWITCH

POSITION	CIRCUIT	"MAKE"
OFF	M+G+A1	
RUN/OVERRIDE	B+A1	
RUN	B+A1	L+A2
START	B + S + A1	



CHASSIS HARNESS CONNECTOR (C1) (MATING SIDE)



DASH HARNESS CONNECTOR (C1) (MATING SIDE)

WIRING INSULATED CLIPS  
NOTE: IF WIRING INSULATED CLIPS WERE REMOVED FOR SERVICING OF UNIT, THEY SHOULD BE RE-INSTALLED TO PROPERLY SECURE YOUR WIRING.

●  
NON-REMOVABLE CONNECTIONS

○  
REMOVABLE CONNECTIONS



**TRACTOR - MODEL NO. TC 342T (96051014801), PRODUCT NO. 960 51 01-48**  
**ELECTRICAL 32**

<b>KEY NO.</b>	<b>PART NO.</b>	<b>DESCRIPTION</b>
1	532 43 71-57	Battery
2	532 44 09-23	Screw Hex Hd Cap M6 x 1.12mm
16	532 17 61-38	Switch Interlock Push-In
21	585 43 64-01	Harness Light
25	589 32 37-01	Cable Batt., 8 Ga., Red 9, CRD
26	532 17 51-58	Fuse
27	873 51 04-00	Nut Keps Hex 1/4-20 unc
28	589 32 36-01	Cable, Batt. BLK10
29	532 40 15-45	Switch, Seat
30	532 19 33-50	Switch, Ign DLTA
33	532 41 19-35	Key/Chain Blisterpack
34	532 11 07-12	Switch, Light Reset
40	587 30 48-01	Harness Ign. Dash
42	532 13 15-63	Cover Terminal, Red
43	582 04 28-01	Solenoid
45	587 55 39-03	Ammeter Guage Round
46	587 55 40-03	Gauge Serviceminder HRMTR
50	582 10 76-01	Switch, PTO 8 Terminal
55	817 06 05-12	Screw Thdrol 5/16-18 x 3/4 TYTT
71	532 44 08-20	Harness Ignition Chassis
83	532 43 67-74	Nut Square M6 x 1.8.5 x 11mm
99	817 00 05-12	Screw 5/16-18 x 3/4 Thrdl
102	532 44 12-62	Harness Jumper
105	532 40 75-68	Switch Reverse
107	532 18 03-79	Switch Full Bagger
108	589 50 03-01	Switch Snapmount
142	583 85 78-01	Charge Port Pigtail
143	532 44 80-59	Charge Port

**NOTE:** All component dimensions given in U.S. inches  
1 inch = 25.4 mm



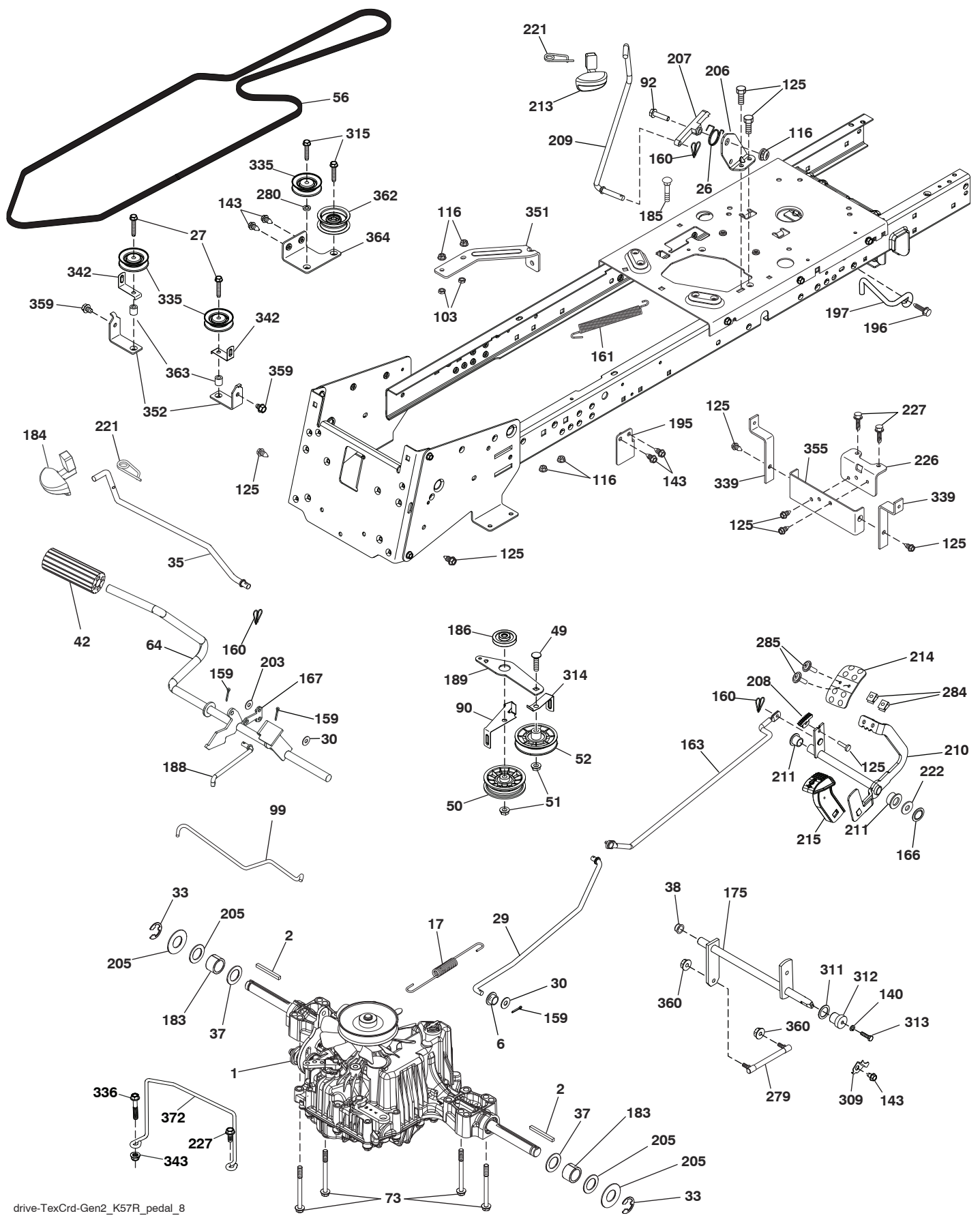


**TRACTOR - MODEL NO. TC 342T (96051014801), PRODUCT NO. 960 51 01-48**  
**CHASSIS AND ENCLOSURES 39**

KEY NO.	PART NO.	DESCRIPTION	KEY NO.	PART NO.	DESCRIPTION
3	532 44 44-81	Applique	282	532 41 41-10	Clip Retainer
5	590 74 00-19	Dash	283	532 44 72-12	Console Deck Lift LH
14	532 44 11-77	Hood	284	532 44 72-20	Console Shft RH
15	585 42 03-01	Lens LH	287	817 60 04-06	Screw 1/4-20 x 3/8
18	587 52 34-01	Grille	296	585 42 05-01	LED Light LH
25	585 42 02-01	Lens RH	297	586 18 29-01	Insert Reflective LH
34	580 91 09-01	Plate Engine	299	585 42 04-01	LED Light RH
36	817 06 05-12	Screw 5/16-18 x 3/4	303	587 49 31-02	Shield LWR LH
37	532 44 13-69	Fender	304	589 41 30-02	Shield LWR RH
52	873 68 05-00	Nut Lock 5/16-18	307	587 49 45-01	Shield Upper French
62	872 11 06-08	Bolt RdHd Sqnk 3/8-16 x 1 Gr. 5	308	532 17 18-77	Bolt 5/16-18 unc x 3/4 w/Sems
68	539 99 08-58	Screw Thdrol 5/16-18 x 1/2	309	582 55 25-02	Backplate
118	819 13 13-16	Washer 13/32 x 13/16 x 16 Ga.	319	581 31 39-07	Lever Bag
119	873 68 06-00	Nut Crownlock 3/8-16 unc	334	532 44 25-37	Bracket Engine
130	532 41 63-58	Screw #10 x 0.750	335	532 44 82-04	Cover RH Lower Close Out
137	532 40 75-90	Bumper Dash	336	532 44 53-09	Cover LH Lower Close Out
150	532 43 97-74	Air Duct	338	532 43 66-40	Bolt Shoulder
151	532 43 66-70	Bracket Pivot	339	532 43 66-41	Lever Bagger Full
152	532 43 98-70	Shield Browning	340	582 55 27-02	Door Battery
159	817 00 06-12	Screw Hexwsh Thrd 3/8-16 x 3/4	341	582 06 08-01	Latch Battery Door Tex CRD
162	532 14 24-32	Screw	342	582 82 68-02	Supprt Fender
175	590 60 77-02	Crossmember Plate	343	532 44 07-49	Clip
176	532 40 07-76	Screw 10-24 x 5/8	344	532 43 89-70	Control Ex Mulch Tex/CRD
177	532 19 52-28	Bushing Steering	345	532 44 06-39	Knob, Oval, Tapered 3/8-16 BLK
180	583 90 27-01	Chassis	347	532 44 28-87	Hitch Tow
182	532 40 68-59	Dash Lower	350	532 44 51-43	Clip X-Mas Tree
183	874 52 05-20	Bolt 5/16-18 x 1-1/4	366	581 31 46-02	Bracket RH Front Bagger
189	817 00 05-12	Screw 5/16-18 x 3/4	367	581 31 45-02	Bracket LH Front Bagger
191	586 18 28-01	Insert Reflective RH	368	581 42 48-01	Shroud Bag Full Lever
194	873 90 05-00	Nut Lock Hex Flange 5/16-18	375	586 90 82-01	Dash Clip-On Bumper
195	532 40 41-37	Plug Hole Dash Lower	378	590 84 98-01	Bushing Flange Plastic
198	532 44 15-52	Indicator Deck Lift	--	532 43 18-82	Guard Brush
199	532 41 87-39	Plate Deck Lift	--	501 76 47-01	Kit ID Box -This kit includes
202	532 43 97-28	Vent Side Hood RH			Battery Hardware (532 44 09-23 Screw Hex Head Cap M6 x 1.2mm), 532 43 67-74 Nut Square M6 x 1.8.5 x 11mm; refer to pages 4 & 5 in this IPL, Chassis Parts/Hardware (532 44 28-87 Tow Hitch), (532 43 66-41 Bagger Full Lever); refer to pages 6 & 7 in this IPL, Bagger Parts/Hardware (532 44 55-28 Bagger Spring Latch), (817 49 04-12 Screw Hexwsh Thdrol 1/4-20 x 3/4), (873 90 04-00 Nut Hex Flange 1/4-20 unc), (817 00 06-12 Screw Hexwsh Trdr 3/8-16 x 3/4), (872 11 06-08 Bolt Rdhd Sqnk 3/8-16 x 1 Gr. 5), (873 80 06-00 Nut Lock 3/8-16 unc); refer to pages 18 & 19 in this IPL.
203	532 43 97-27	Vent Side Hood LH			
204	532 44 06-65	Vent Top Hood			
205	532 43 97-30	Skirt Hood Side RH			
206	532 43 97-29	Skirt Hood Side LH			
207	585 42 00-02	Bezel RH			
208	585 42 01-02	Bezel LH			
213	874 76 05-12	Bolt 5/16-18 x 3/4			
214	532 19 91-45	Clip Retainer Tinner			
217	532 40 91-67	Rod Pivot			
218	532 19 63-95	X-Piece Hood Stop			
228	532 19 51-61	Stud Fastner			
229	532 44 14-63	Lid Ext			
235	532 40 61-29	Spacer Fender			
236	873 93 05-00	Nut Lock 5/16-18 unc			
241	817 06 05-16	Screw 5/16-18 x 1 SMGML Tap/R			
246	582 05 20-01	Spring TCRD Gen 2.5 Bagger Ext			
247	582 55 26-02	Strap Battery TCRD Gen 2.5 x .431			
248	872 11 05-04	Bolt Carr. 5/16 unc x 1/2			
249	586 93 60-01	Screw Button 10-24 x 1/2 PTCHD			
250	539 97 69-77	Nut #10-24 Hex, Nylon Ring ZD			
251	589 31 89-04	Backplate Support Bracket			
252	581 99 22-04	Backplate Support Bracket			
253	539 11 56-20	Bolt Carr. 1/4-20 x 3/4			
254	873 90 04-00	Nut, Hex Flange 1/4-20 unc			
255	589 39 22-02	Bolt Cross Drilled 3 8/16 x 1.75			
256	532 19 70-33	Nut Jam 3/8-16			
257	589 74 66-02	Bagger Latch Assembly LH			
258	589 74 67-02	Bagger Latch Assembly RH			

**NOTE:** All component dimensions given in U.S. inches  
1 inch = 25.4 mm

**TRACTOR - MODEL NO. TC 342T (96051014801), PRODUCT NO. 960 51 01-48**  
**DRIVE 40**



drive-TexCrd-Gen2\_K57R\_pedal\_8

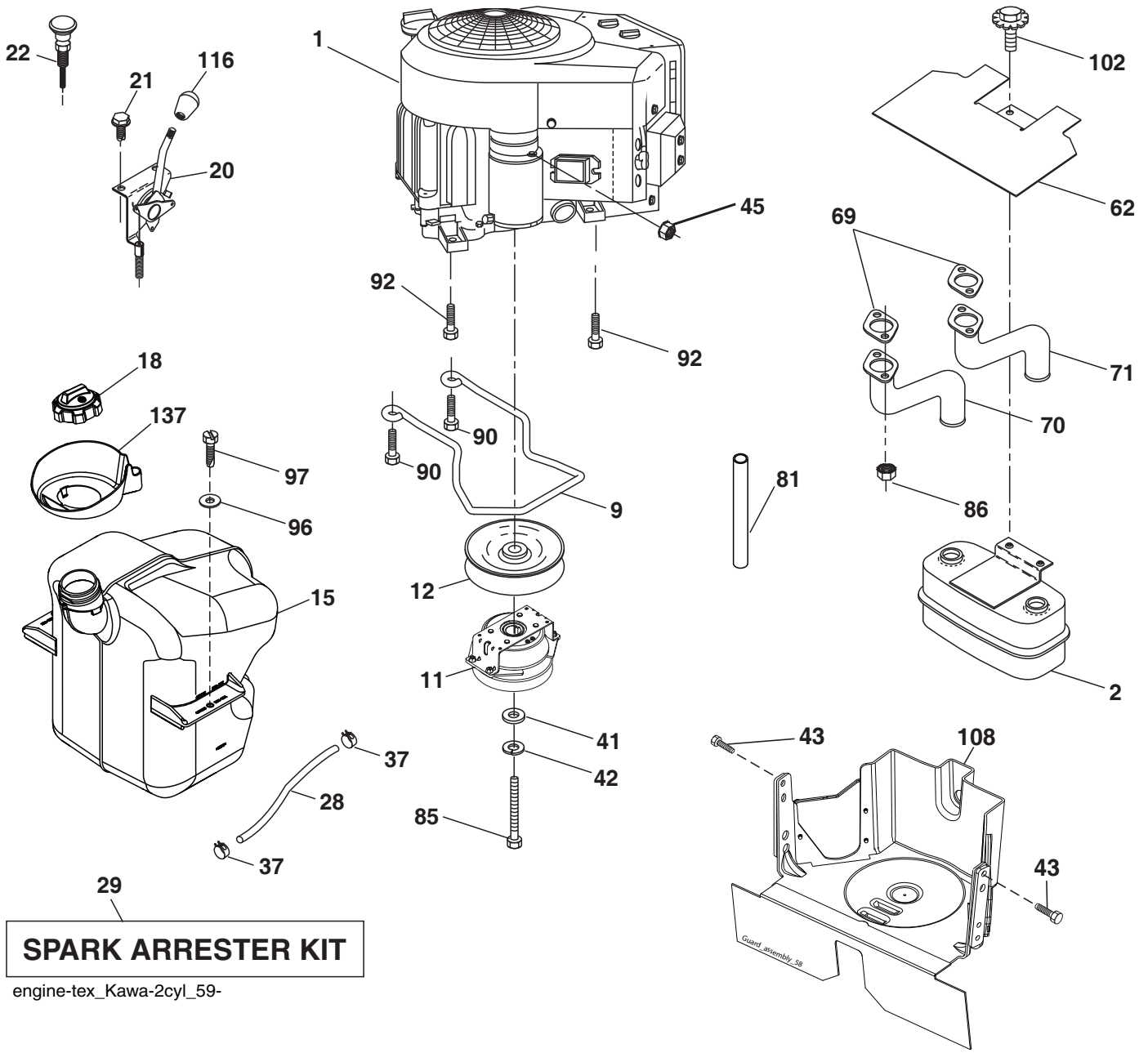


**TRACTOR - MODEL NO. TC 342T (96051014801), PRODUCT NO. 960 51 01-48  
DRIVE **40****

KEY NO.	PART NO.	DESCRIPTION	KEY NO.	PART NO.	DESCRIPTION
1	---	Transaxle, Tufftorq K57AH (585743601) (Order parts from transaxle manufacturer.)	197	585 65 86-01	Link Clutch Anti-Rotation
2	532 12 35-83	Key Square	203	819 11 11-16	Washer 11/32 x 11/16 x 16 Ga.
6	532 12 40-28	Bushing Snap	205	532 12 17-48	Washer 25/32 x 1-5/8 x 16 Ga.
17	532 43 62-27	Spring Brake K46	206	532 44 85-96	Bracket Mount Latch Cruise
26	532 19 96-79	Spring Return Cruise	207	587 03 14-01	Latch Control Cruise
27	817 49 05-28	Screw Hexwsh Thd 5/16-18 x 1-3/4	208	532 19 78-69	Gear Sector Control Cruise
29	532 44 27-95	Rod, Brake	209	532 19 95-92	Rod Control Cruise
30	819 13 16-16	Washer	210	532 40 09-80	Rocker Asm. Pedal Control
33	812 00 00-01	Ring E	211	532 12 01-83	Bearing Nylon
35	583 86 45-01	Rod, Brake, Park	213	532 40 31-19	Knob Control Cruise
37	532 18 89-67	Washer Harden .793 x 1.063 x .060	214	532 41 68-63	Pedal Forward
38	532 16 96-13	Nyliner Bushing	215	586 60 65-02	Pedal Reverse
42	532 12 48-72	Cover, Foot Pedal	221	532 40 31-87	Retainer Spring Clip Handle
49	872 11 06-14	Bolt Rdhd 3/8-16 unc x 3/4 Gr. 5	222	879 21 20-10	Washer 21/32 x 1-1/4 10 Ga.
50	532 19 43-27	Idler Flat	226	532 40 15-64	Bracket Strap Torque
51	873 90 06-00	Lock Nut 3/8-16	227	817 49 05-12	Screw
52	532 19 43-26	Idler V-Groove	279	532 44 42-83	Link Shift
56	532 44 27-81	V-Belt, Drive	280	819 11 10-12	Washer 11/32 x 5/8 x 12 Ga.
64	532 19 78-65	Shaft Asm. Pedal Brake Control	284	532 41 76-93	Nut
73	874 49 05-44	Bolt Flanged	285	874 18 04-12	Screw
90	532 44 36-05	Keeper Belt Clutching	309	532 16 55-81	Plate Fstnr Cross Shf
92	874 76 05-20	Bolt Fin Hex 5/16-18 unc x 1.25	311	532 16 98-45	Washer Nylon
99	532 44 39-47	Rod Spring Bypass	312	532 16 56-14	Hub Tapered
103	873 35 05-00	Nut Hex Jam 5/16-18	313	874 78 04-16	Bolt Hex Fin 1/4-20 unc x 1 Gr. 5
116	873 90 05-00	Nut Lock Hex Flange 5/16-18	314	532 44 47-13	Keeper Belt
125	817 00 05-12	Screw 5/16-18 x 3/4	315	817 58 05-20	Screw Thdrol 5/16-18 x 4.25
140	810 04 04-00	Washer Lock Hvy Helical 1/4	335	532 19 95-34	Pulley V-Idler
143	539 99 08-58	Screw 5/16-18 x 1/2	336	587 25 96-01	Bolt 5/16-18 x 1-3/4 Flanged hex
159	876 02 04-12	Pin Cotter 1/8 x 3/4	339	532 43 68-67	Strap Torque K46 CRD Tex
160	532 16 94-84	Retainer Clip	342	532 18 26-82	Keeper Belt 2.5" STL V-Idlr CRD
161	532 10 57-09	Spring, Return, Clutch	343	539 11 28-99	Nut 5/16-18 Hex Flanged Nyloc
163	532 44 27-93	Rod Control	351	532 43 69-98	Bracket 97 CRD Deck Sway
166	532 42 91-64	Nut Push	352	532 43 56-45	Bracket Idler CRD Tex
167	532 40 52-57	Latch Brake Parking	355	532 43 56-69	Bracket
175	532 42 93-59	Shaft Asm Crossshift Rear CRD	359	817 49 06-10	Screw Thdrol 3/8-16 x 5/8
183	532 13 70-57	Spacer Axle	360	532 44 47-14	Nut 5/16-24 unf
184	587 65 37-01	Handle Parking Brake	362	532 43 68-12	Idler Flat
185	872 11 06-22	Bolt 3/8-16 unc x 2-3/4 Gr. 5	363	532 44 27-80	Spacer .343 x .63 x .62
186	532 19 43-21	Spacer Retainer	364	532 44 30-32	Bracket Idler CRD Tex
188	582 21 70-01	Link Clutch, Long	372	582 65 49-01	Keeper Belt Transaxle
189	532 43 36-11	Bellcrank Ground Drive			
195	580 45 69-01	Bracket Rod Brake CRD Tex			
196	817 00 06-16	Screw 3/8-16 x 1 Smgml Tap/R Blk			

**NOTE:** All component dimensions given in U.S. inches  
1 inch = 25.4 mm

**TRACTOR - MODEL NO. TC 342T (96051014801), PRODUCT NO. 960 51 01-48  
ENGINE 24**



**SPARK ARRESTER KIT**

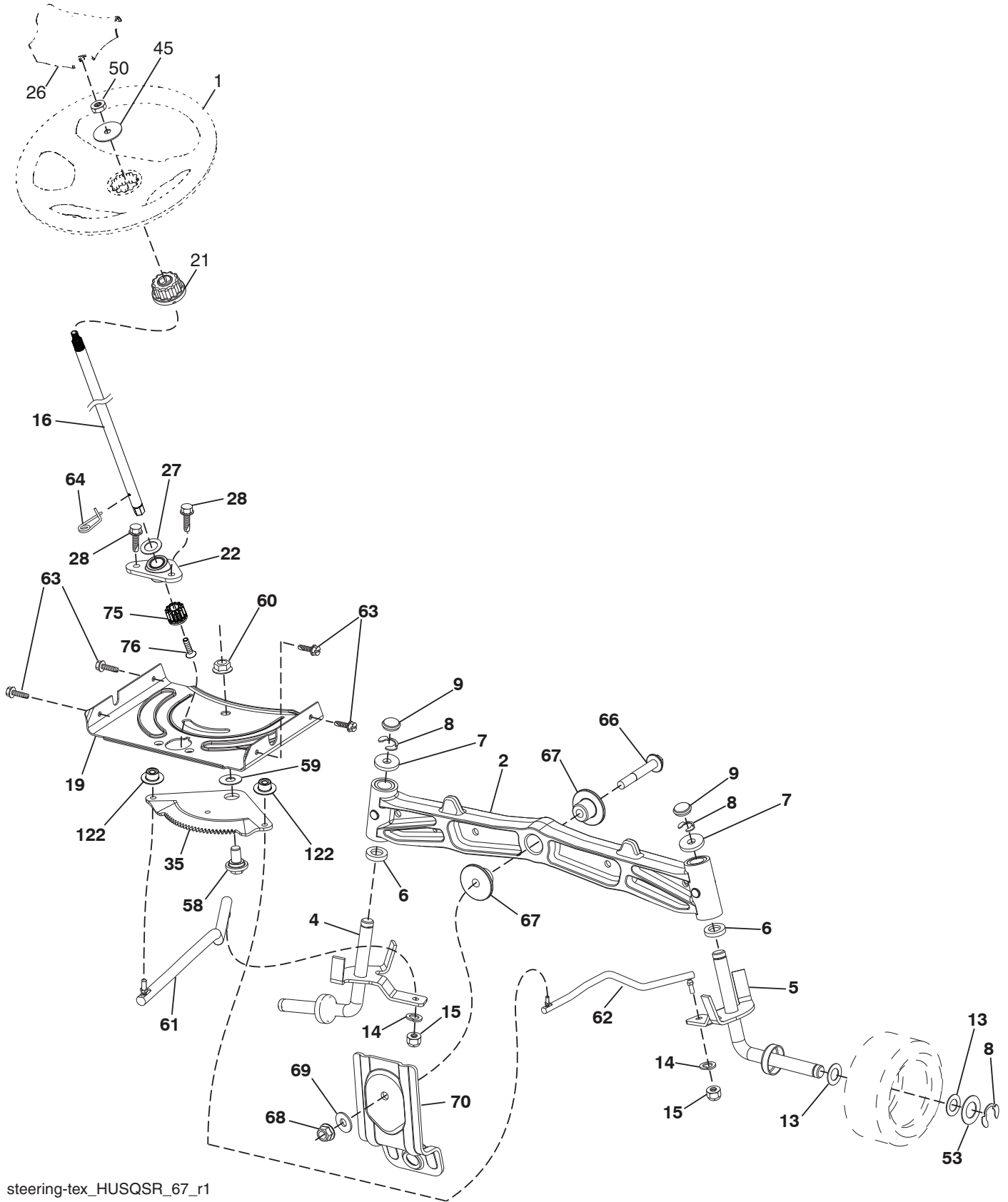
engine-tex\_Kawa-2cyl\_59-

**TRACTOR - MODEL NO. TC 342T (96051014801), PRODUCT NO. 960 51 01-48  
ENGINE 24**

KEY NO.	PART NO.	DESCRIPTION
1	-----	Engine KAWA Model No. FR651V (589493201) (Order parts from engine manufacturer.)
2	589 81 87-01	Muffler
9	501 83 26-02	Keeper Belt Engine
11	587 24 16-01	Clutch Electric
12	532 40 50-97	Pulley Engine
15	532 43 58-16	Tank Fuel
18	532 44 14-62	Fuel Cap
20	532 42 43-41	Control Throttle
21	532 41 63-58	Screw # 10 x 0.750
22	532 18 95-41	Control Choke
28	587 04 48-20	Fuel Line
29	532 13 71-80	Spark Arrester Kit
37	532 12 34-87	Clamp Hose
41	532 12 61-97	Washer 1-1/2 OD x 15/32 ID x .250
42	539 99 02-47	Washer Lock 7/16
43	817 06 05-16	Screw 5/16-18 x 1 SMGML Tap
45	873 51 04-00	Nut Keps Hex 1/4-20 unc
62	532 43 40-17	Shield Heat Muffler
69	532 17 81-51	Gasket
70	583 95 56-01	Tube Exhaust LH
71	583 95 57-01	Tube Exhaust RH
81	532 14 84-56	Tube Drain Oil Easy
85	501 60 66-01	Bolt Hex 7/16-20 x 3.75 Gr. 5
86	532 18 43-62	Nut Hex Flanged Toplock
90	817 00 06-16	Screw 3/8-16 x 1
92	817 12 06-16	Screw 3/8-16 x 1 SMGML Tap/R
96	819 09 14-16	Washer 9/32 x 7/8 x 16 Ga.
97	817 67 04-12	Screw 1/4-20 x 3/4
102	817 00 05-12	Screw 5/16-18 x 3/4
108	587 17 95-10	Cover Pulley Engine
116	539 13 26-24	Knob Shift
137	532 44 14-61	Spill Cup

**NOTE:** All component dimensions given in U.S. inches  
1 inch = 25.4 mm

**TRACTOR - MODEL NO. TC 342T (96051014801), PRODUCT NO. 960 51 01-48**  
**STEERING ASSEMBLY 41**



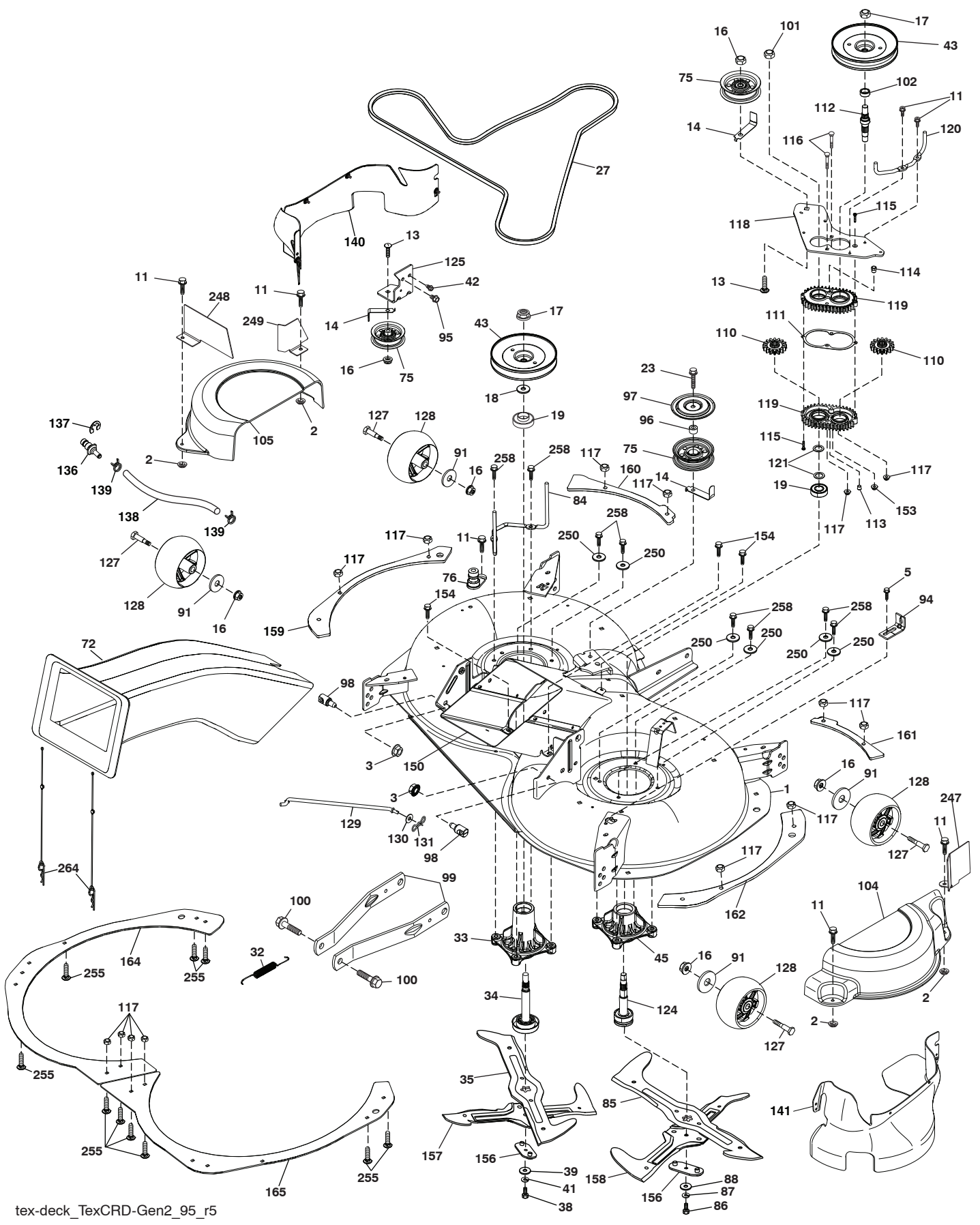
steering-tex\_HUSQSR\_67\_r1

**TRACTOR - MODEL NO. TC 342T (96051014801), PRODUCT NO. 960 51 01-48**  
**STEERING ASSEMBLY 41**

<b>KEY NO.</b>	<b>PART NO.</b>	<b>DESCRIPTION</b>
1	532 43 97-40	Wheel, Steering
2	532 19 59-68	Axle Cast Iron
4	532 40 30-87	Spindle Asm., LH
5	532 40 30-88	Spindle Asm., RH
6	532 12 49-31	Washer Thrust 0.75 x 1.23
7	532 12 17-48	Washer 25/32 x 1-5/8 x 16 Ga.
8	812 00 00-29	Ring, Klip #T5304-75
9	532 12 12-32	Cap, Spindle
13	532 12 17-49	Washer 25/32 x 1-1/4 x 16 Ga.
14	539 99 01-18	Washer, Lock 3/8
15	873 54 06-00	Nut, Crown Lock 3/8-24 unF
16	587 01 60-02	Shaft Steering
19	532 19 47-29	Plate Steering
21	586 84 02-01	Adapter, Wheel Steering Splnd Alum
22	585 02 98-02	Bearing Shaft Steer Low
26	532 43 97-43	Insert, Wheel Steering
27	819 21 16-16	Washer 21/32 x 1 x 16 Ga.
28	817 00 06-12	Screw 3/8-16 x 3/4
35	532 19 47-32	Gear, Sector Plate
45	587 01 64-01	Washer 3/8 ID 2-3/8OD 12 Ga. PLTD
50	873 90 06-00	Nut Lock Flg. 3/8-16 unc
53	532 18 89-67	Washer Hardened .793 x 1.637 x .060
58	532 19 47-47	Bolt Shoulder Sector Pivot CFM
59	532 19 47-48	Washer Thrust Sector Steering
60	873 97 10-00	Nut Flange Lock 5/8-11
61	588 79 44-02	Draglink, LH
62	588 79 45-02	Draglink, RH
63	817 00 05-12	Screw 5/16-18 x 3/4
64	532 19 98-49	Retainer Clip Spring Steering
66	871 02 07-48	Bolt Hex Fghd 7/16-14 x 3 Serr
67	532 19 47-37	Bushing PM Front Axle
68	873 90 07-00	Nut Lock Flange 7/16-14 Gr. 5
69	532 19 91-62	Washer 1.5 x .505 x .118
70	585 33 88-01	Bracket Deck Susp. Front
75	580 68 37-01	Pinion
76	580 68 36-01	Screw Head Sock
122	532 44 49-62	Cap Gear Sector

**NOTE:** All component dimensions given in U.S. inches  
1 inch = 25.4 mm

**TRACTOR - MODEL NO. TC 342T (96051014801), PRODUCT NO. 960 51 01-48**  
**MOWER DECK 44**



tex-deck\_TexCRD-Gen2\_95\_r5

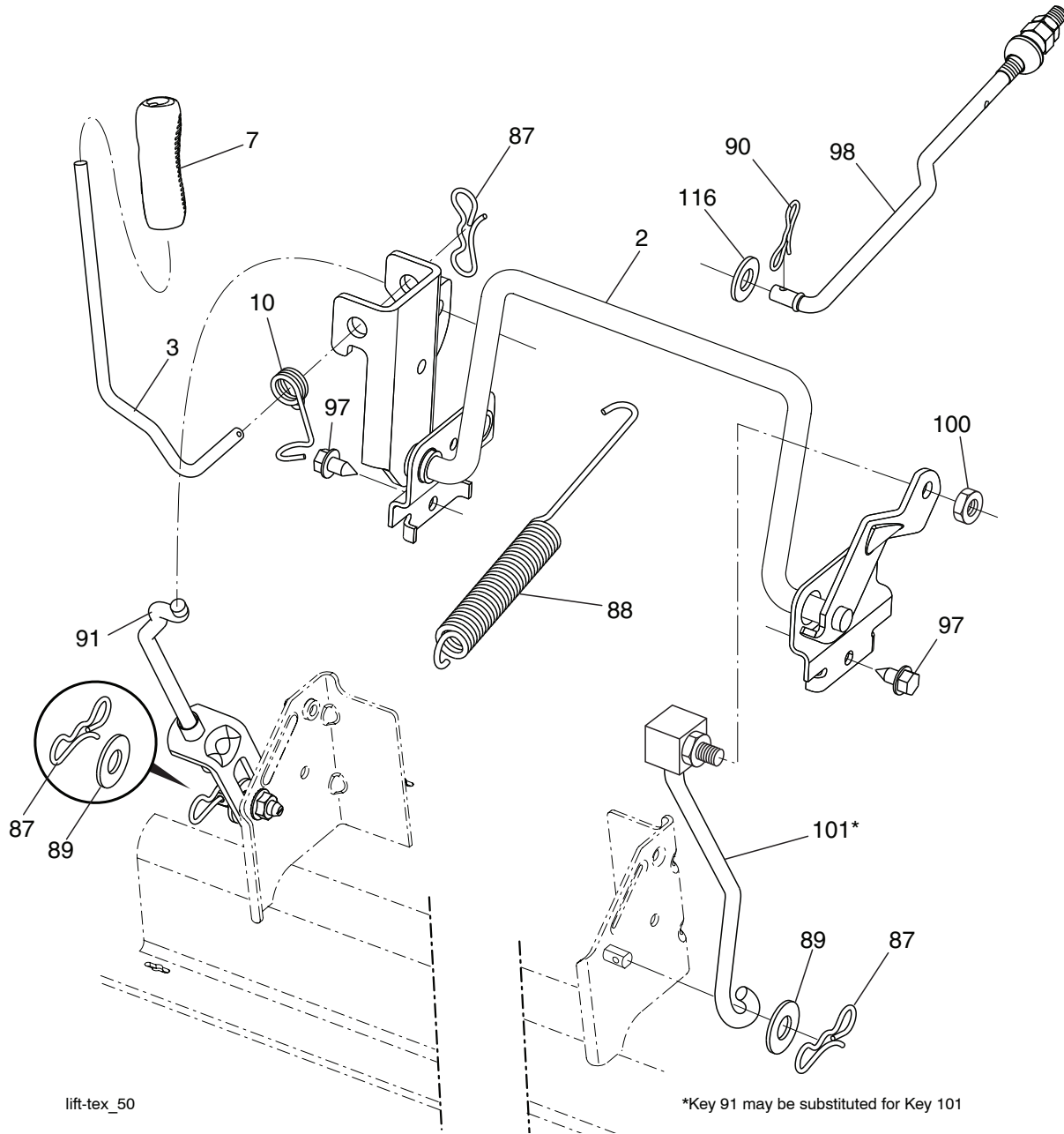


**TRACTOR - MODEL NO. TC 342T (96051014801), PRODUCT NO. 960 51 01-48**  
**MOWER DECK 44**

KEY NO.	PART NO.	DESCRIPTION	KEY NO.	PART NO.	DESCRIPTION
1	580 97 33-01	Deck Weldment	121	532 43 69-85	Washer
2	532 42 30-62	Palnut 1/4	124	532 43 69-86	Non Greasable Mandrel Shaft
3	873 90 05-00	Nut Lock Hex Flange 5/16-18	125	532 43 69-94	Bracket Idler Chassis
5	817 00 05-10	Bolt 5/16-18 Hex Whs Hd Lckserr	127	532 19 34-06	Bolt Shoulder 3/8-16 x 3-5/8 Gr. 5
11	532 13 77-29	Screw Thd Roll 1/4-20 x 5/8	128	589 52 73-01	Wheel Gauge
13	872 11 06-12	Bolt Carr Sh 3/8-16 x 1-1/2 Gr. 5	129	532 44 32-37	Rod Anti-Sway
14	532 15 60-85	Keeper Belt Idler	130	819 13 13-12	Washer 13/32 x 13/16 x 12 Ga.
16	873 90 06-00	Nut Lock FIG 3/8-16 unc	131	532 19 42-08	Pin Cotter 5/16 Bow Tie Lock
17	532 40 02-34	Nut Flange Lock Top	133	532 43 81-97	EZ Mulch Door
18	532 18 76-90	Washer, Spacer, Mandrel	134	532 43 58-61	Pin Hinge
19	585 32 39-01	Bearing Mandrel	135	532 43 79-88	E-Ring 5/16
23	817 49 06-28	Screw Thdrol 3/8-16 x 1-3/4	136	532 43 96-39	Washout Port Remote Hookup
27	532 44 58-87	V-Belt Drive	137	812 00 00-29	Ring Klip
32	532 44 62-05	Spring Return Deck	138	532 44 76-67	Hose Washout Port
33	532 18 72-81	Mandrel Asm. Tall	139	532 44 07-42	Hose 3/8 Clamp
34	587 25 65-01	Shaft Asm Mndrl	140	501 58 00-01	Guard Asm. LH
35	532 18 05-83	Blade Mower LH	141	501 57 96-02	Guard Asm. LH
38	590 88 40-01	Bolt Blade 7/16-20 x 1.5 Gr. 8	146	532 44 58-96	Spring Tex CRD EZ Mulch
39	581 52 65-01	Washer 7/16 Flat	150	596 01 23-02	Weldment Chute Lower 107 CRD
41	539 99 02-47	Washer lock 7/16	154	532 19 98-55	Screw 1/4-20 Panhead
42	817 00 05-12	Screw 5/16-18 x 3/4	153	593 27 46-01	Nut Hex 9/16-18 unf w/HD Epoxy-Lock
43	532 44 32-39	Pulley Mandrel	156	532 44 69-95	Adapter Weldment Blade
45	532 13 71-52	Mandrel Asm. Short	157	532 44 69-93	Blade Cross LH 107
72	581 45 41-03	Chute Upper	158	532 18 04-25	Blade Cross RH 107
75	532 13 14-94	Pulley Idler Flat	159	585 30 94-05	Plate LH Side
76	532 43 96-40	Washout Port	160	585 30 95-05	Plate LH Front
84	532 44 32-35	Keeper Belt Mandrel	161	585 31 60-05	Plate RH Front
85	532 18 05-84	Blade Mower RH	162	585 31 61-05	Plate RH Side
86	532 18 17-13	Bolt 3/8-24 x 1.50 Gr.8	164	589 35 85-02	Baffle Plate LH
87	539 99 01-18	Washer Lock Hvy 3/8	165	587 42 61-02	Baffle Plate RH
88	532 14 02-96	Washer, Hard, Blade, Mover	247	589 00 96-02	Guard Steel Mandrel Cover RH
91	819 13 20-12	Washer 13/32 x 1-1/4 x 12 Ga.	248	581 26 36-02	LH Rear Steel Guard
94	532 19 72-50	Bracket Clutch Cable	249	581 26 35-02	LH Front Steel Guard
95	817 00 06-12	Screw 3/8-16 x 3/4	250	819 11 12-12	Washer 11/32 x 3/4 x 12 Ga.
96	532 40 02-71	Spacer	255	539 10 98-00	Carriage Bolt 1/4-20 x 1 Gr. 5
97	532 18 20-61	Shield Idler Mower	258	584 95 39-01	Bolt Hex Wsh Hd .316-18 x 1.19
98	532 19 51-61	Stud Fastener	264	589 39 29-01	Retainer Asm. Upper Chute
99	532 19 51-86	Arm Suspension Mower Rear	--	587 25 33-01	Mandrel Assembly Tall (Includes Housing (key #33), Shaft Assembly (key #34), And Bearing Only (key #19) - Pulley/Nut/Washer And Blade Bolt/Washers Not Included)
100	532 19 65-39	Bolt Shoulder	--	589 64 84-01	Replacement Mower Complete
101	873 68 09-00	Nut Crownlock 9/16-18 unc	--	532 44 81-32	Gear Case Kit – Use .75 oz. Shell 460 oil (Include Gear Output (key #110), Gasket Gearcase (key #111), Shaft Gearcase (key #112), Plug Oil (key #113), Vent Breather 1/8 NPT (key #114), Screw Torx (key #115), Gearcase Subasm (key #119))
102	532 40 25-11	Spacer Bearing Swing Plate			
104	581 71 40-01	Mandrel Cover RH			
105	532 44 47-55	Mandrel Cover LH			
110	587 93 48-01	Gear Output			
111	532 43 69-79	Gasket Gearcase			
112	532 44 38-52	Shaft Gearcase			
113	532 43 85-33	Plug Oil			
114	588 17 05-01	Valve Relief			
115	818 03 10-16	Screw Torx #10-24 x 1			
116	872 11 04-14	Bolt 1/4-20 x 1.75 Gr. 5			
117	873 90 04-00	Nut Hex Flange 1/4-20 unc			
118	532 44 32-32	Arm Clutching			
119	532 43 81-66	Gearcase Subasm			
120	532 44 32-36	Keeper Belt RH			

**NOTE:** All component dimensions given in U.S. inches  
1 inch = 25.4 mm

**TRACTOR - MODEL NO. TC 342T (96051014801), PRODUCT NO. 960 51 01-48**  
**MOWER LIFT 45**

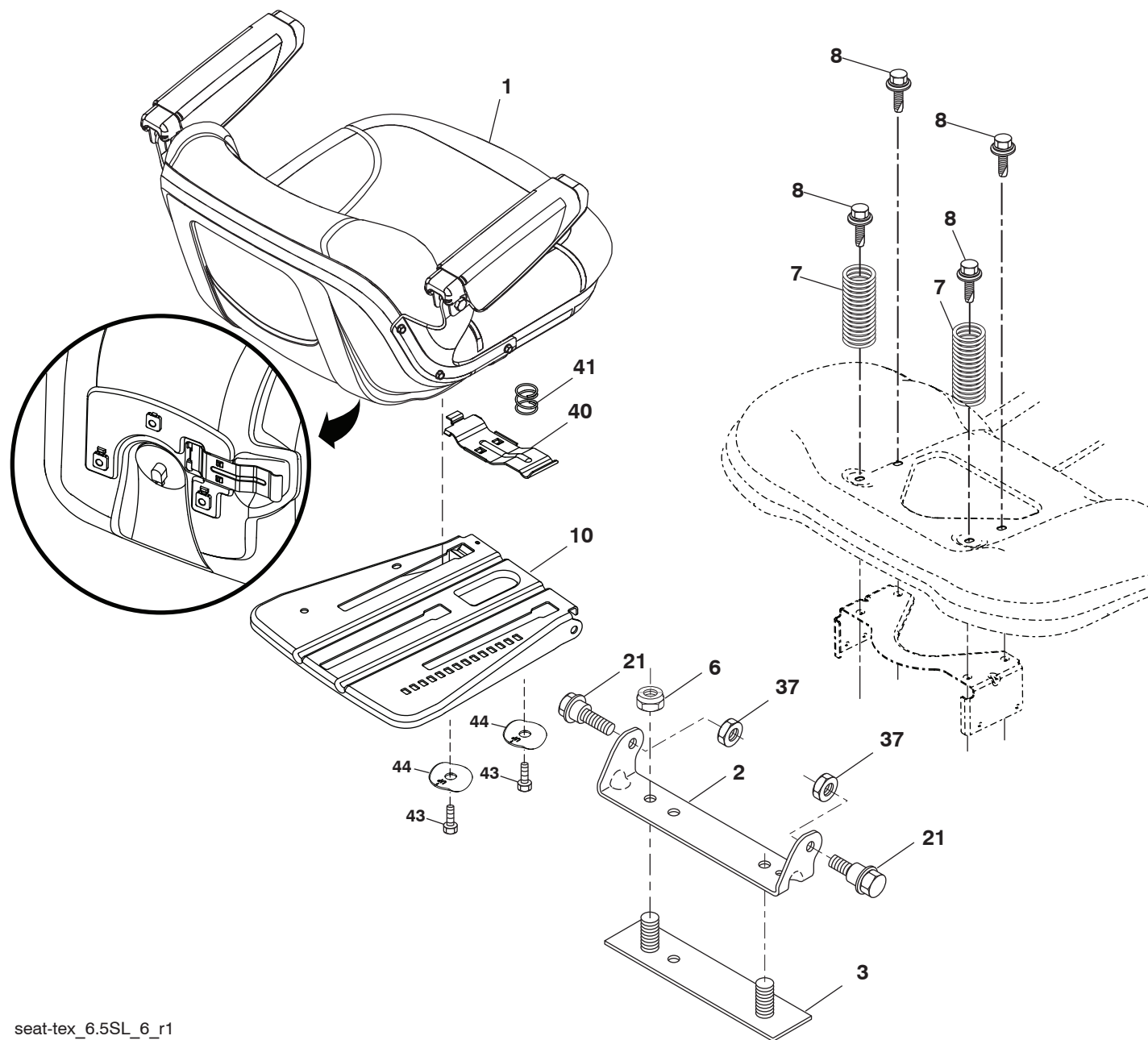


KEY NO.	PART NO.	DESCRIPTION
2	532 43 69-96	Deck Lift Weldment
3	532 19 52-31	Lever Asm., Lift RH
7	580 96 23-01	Grip, Lever
10	532 19 63-14	Spring Torsion
87	532 19 42-09	Pin Cotter 7/16 Bow Tie Lock
88	532 44 54-96	Spring Lift Assist
89	819 19 19-12	Washer Clear Zinc
90	532 19 42-08	Pin Cotter 5/16 Bow Tie Lock
91	532 19 51-81	Link Lift Susp Mower Rear

KEY NO.	PART NO.	DESCRIPTION
97	817 49 06-08	Screw 3/8-16 x 1/2
98	532 19 52-70	Link Lift Susp. Front Mower
100	873 93 06-00	Nut Centerlock
101	532 40 70-03	Link Asm. Lift
116	819 15 15-16	Washer 15/32 x 15/16 x 16 Ga.

**NOTE:** All component dimensions given in U.S. inches  
 1 inch = 25.4 mm

**TRACTOR - MODEL NO. TC 342T (96051014801), PRODUCT NO. 960 51 01-48  
SEAT ASSEMBLY 42**



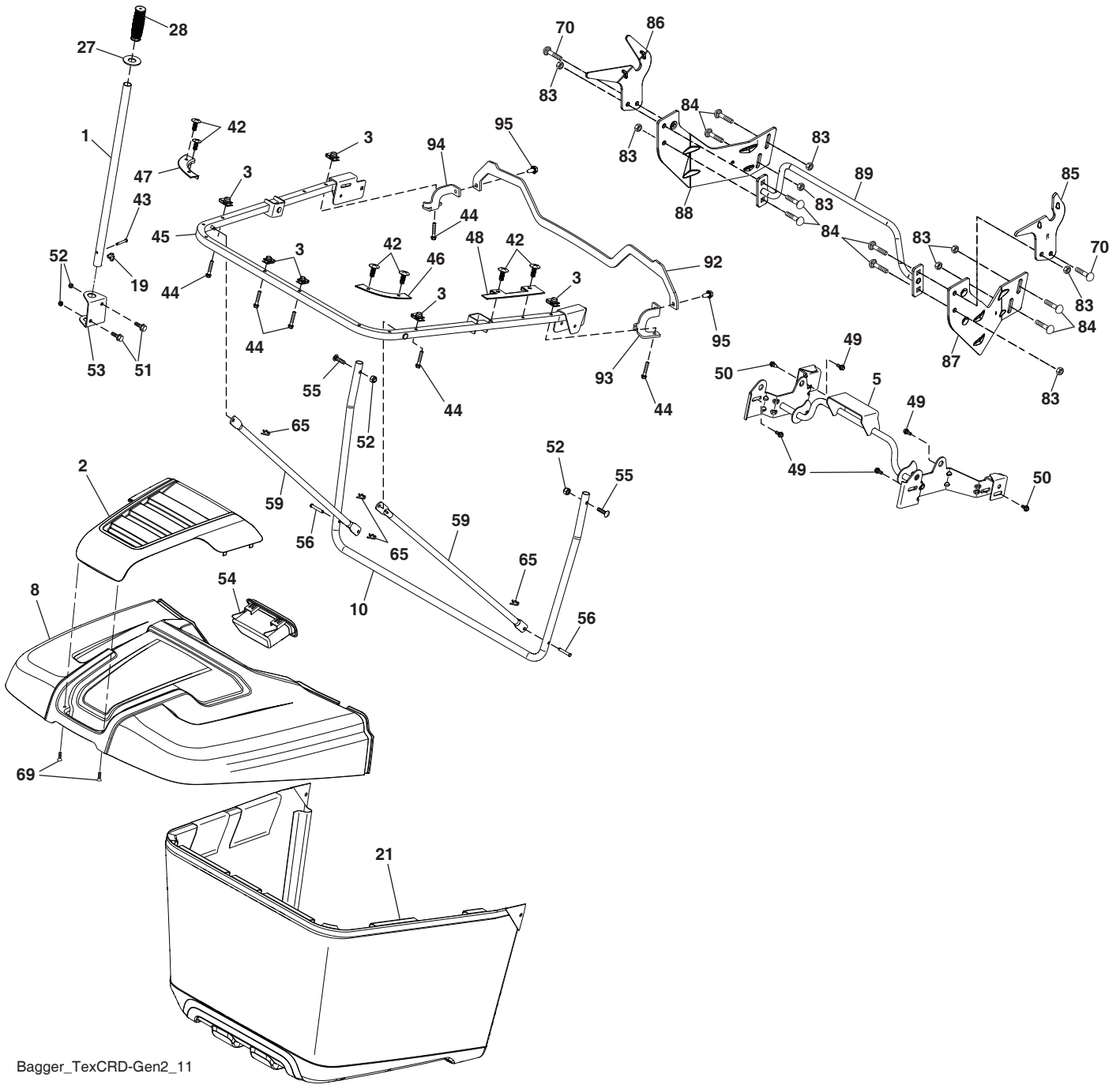
seat-tex\_6.5SL\_6\_r1

KEY NO.	PART NO.	DESCRIPTION
1	588 55 67-01	Seat
2	532 18 01-66	Bracket Pivot Fender
3	532 14 06-75	Strap, Asm Fender
6	873 80 06-00	Nut, Lock W/Ins. 3/8-16 unc
7	589 48 35-01	Spring, Seat Cprsn
8	532 17 18-77	Bolt 5/16-18 unc x 3/4 w/Sems
10	587 23 20-02	Pan, Seat Plate
21	587 90 78-01	Bolt, Shoulder 5/16-18 x 5/8
37	873 80 05-00	Nut, Lock 5/16-18 unc

KEY NO.	PART NO.	DESCRIPTION
40	532 19 76-61	Handle Slide Seat
41	532 19 82-00	Spring Latch Seat
43	874 76 06-12	Bolt Fin Hex 3/8-16 unc x 3/4
44	501 05 18-01	Washer 13/32 x 2-3/8 x 12 Ga.

**NOTE:** All component dimensions given in U.S. inches  
1 inch = 25.4 mm

**TRACTOR - MODEL NO. TC 342T (96051014801), PRODUCT NO. 960 51 01-48**  
**BAGGER 46**



Bagger\_TexCRD-Gen2\_11

**TRACTOR - MODEL NO. TC 342T (96051014801), PRODUCT NO. 960 51 01-48  
BAGGER 46**

<b>KEY NO.</b>	<b>PART NO.</b>	<b>DESCRIPTION</b>
1	532 42 86-10	Tube Handle Bagger
2	532 44 75-72	Applique
3	532 17 48-14	Clip
5	532 44 37-62	Upper Pivot Tube
8	532 44 75-75	Bagger Top
10	532 44 37-55	Frame Front
19	532 19 42-08	Cotter Pin 5/16 Bow Tie
21	581 33 71-03	Bag Asm
27	532 44 55-29	Grommet Rubber
28	532 16 57-87	Grip Handle
42	532 44 04-28	Clip
43	532 12 68-75	Clevis Pin
44	532 19 96-87	Bolt 1/4-20
45	532 44 37-54	Upper Frame
46	532 44 55-41	Bag Corner Close Out RH
47	532 44 40-79	Bag Corner Close Out LH
48	532 44 40-80	Top Bagger Side Close Out
49	532 17 18-73	Bolt Shoulder 5/16-18
50	532 17 18-77	Bolt 5/16-18 x 3/4 W/Sems
51	872 11 05-06	Bolt 5/16 x 18 x 3/4
52	873 80 05-00	Nut Lock Hex W/Ins 5/16-18 unc
53	532 44 41-95	Bracket Dump Handle
54	532 44 72-18	Bagger Top Front Handle
55	539 10 29-33	Bolt 5/16-18 x 1-1/2
56	532 42 03-06	Pin Clevis .183 x 1.26
59	532 44 47-63	Bagger Sprd Tube
65	532 12 47-88	Retainer Spring
69	532 42 18-01	Screw #8 Flat Head Drill
70	817 00 06-12	Screw 3/8-16 x 3/4
83	873 80 06-00	Nut Lock Hex w/Ins. 3/8-16 unc
84	872 11 06-08	Bolt 3/8-16 x 1 Gr. 5
85	581 31 44-02	Bracket RH Pivot
86	581 31 43-02	Bracket LH Pivot
87	581 31 48-02	Bracket RH
88	581 31 47-02	Bracket LH
89	581 31 51-04	Weldment Offset Strut
92	586 05 23-02	Bracket Top Support
93	586 05 24-02	Bracket Support RH
94	586 05 25-02	Bracket Support LH
95	817 00 05-12	Screw 5/16-18 x 3/4
--	501 70 56-01	Bagger Dump Kit (Includes Key#'s 85, 86, 87, 88, & 89)
--	586 74 49-01	Bagger Complete Kit (Includes Key#'s 1, 5, 10, 19, 21, 27, 28, 42, 43, 46, 47, 48, 49, 50, 52, 54, 56, 59, 65)

**NOTE:** All component dimensions given in U.S. inches  
1 inch = 25.4 mm

