

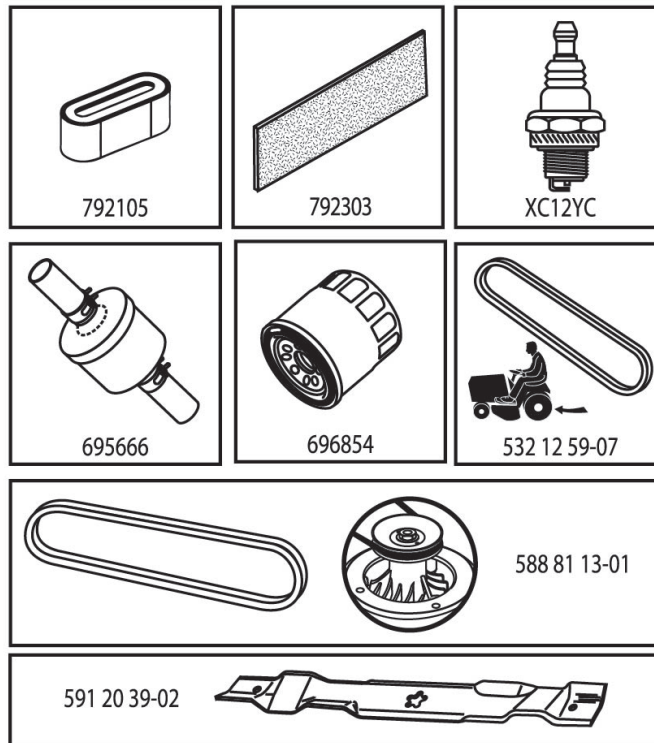
ILLUSTRATED PARTS LIST

MFG. ID NO. 96041040400

CUSTOMER CATALOG NO. TS 348XD

PRODUCT NO. 960 41 04-04

47



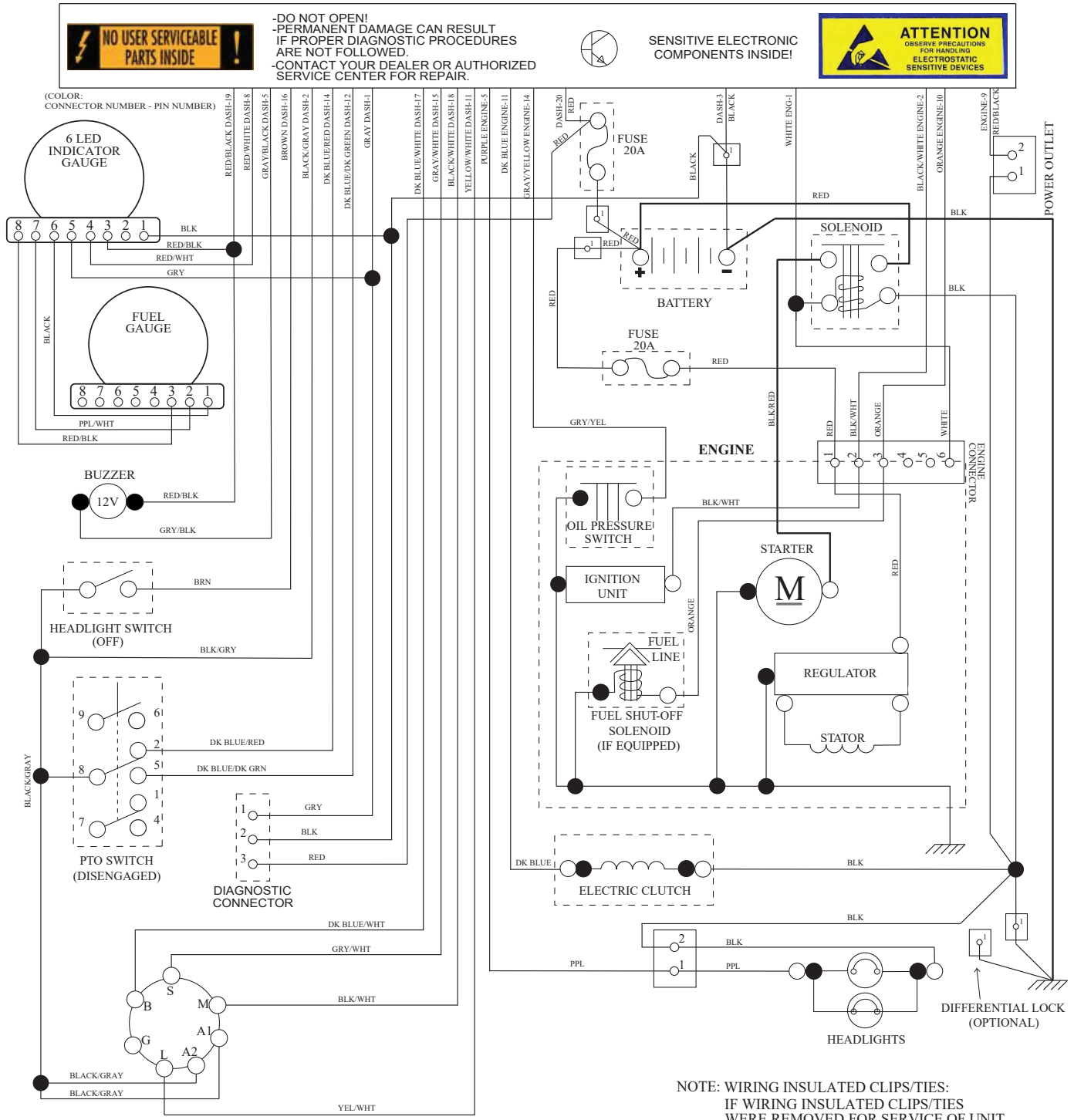
594919701

TRACTOR - - MODEL NO. TS 348XD (9604104040), PRODUCT NO. 960 41 04-04

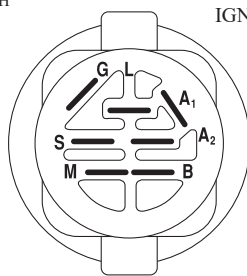
SCHEMATIC 38

SCH35a

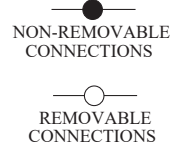
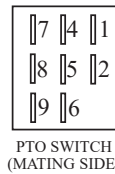
MOWER CONTROL MODULE - DASH AND ENGINE HARNESSES



NOTE: WIRING INSULATED CLIPS/TIES: IF WIRING INSULATED CLIPS/TIES WERE REMOVED FOR SERVICE OF UNIT, THEY SHOULD BE RE-INSTALLED TO PROPERLY SECURE YOUR WIRING.



| POSITION | CIRCUIT "MAKE" |
|--------------|----------------|
| OFF | M+G+A1 |
| RUN/OVERRIDE | B+A1 |
| RUN | B+A1 L+A2 |
| START | B + S + A1 |



TRACTOR - - MODEL NO. TS 348XD (96041040400), PRODUCT NO. 960 41 04-04

SCHEMATIC 38

SCH35b

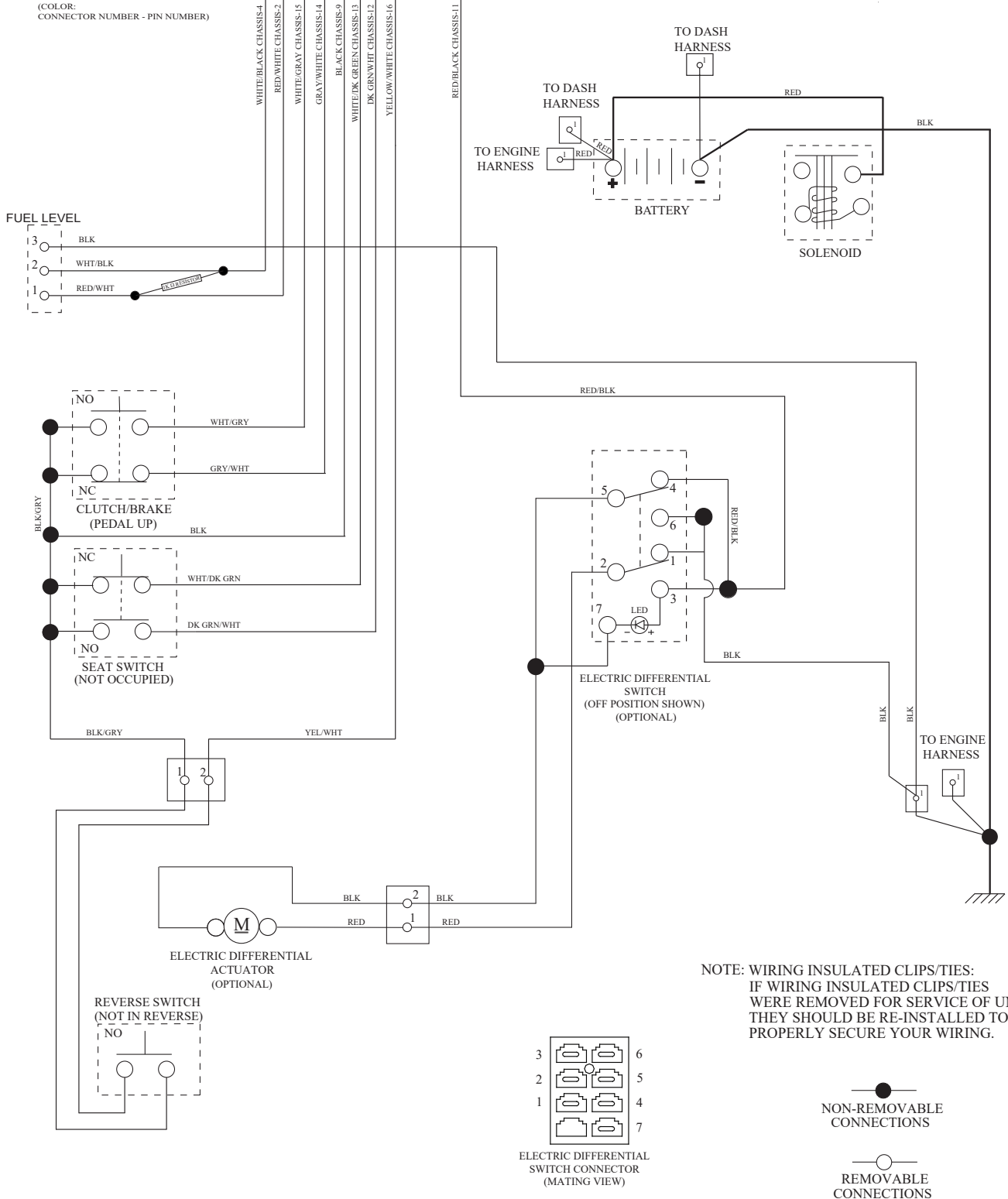
MOWER CONTROL MODULE - CHASSIS HARNESS



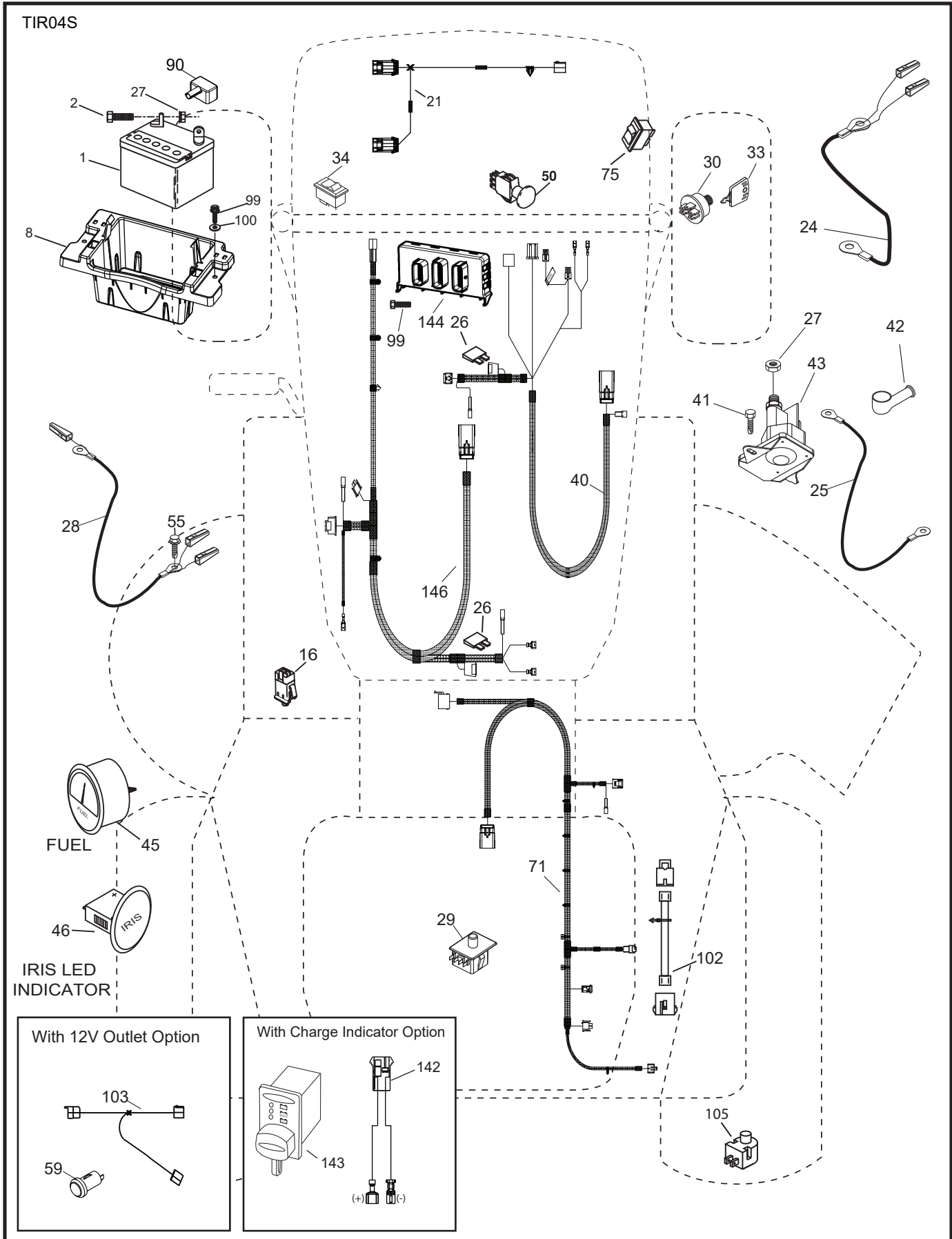
-DO NOT OPEN!
-PERMANENT DAMAGE CAN RESULT
IF PROPER DIAGNOSTIC PROCEDURES
ARE NOT FOLLOWED.
-CONTACT YOUR DEALER OR AUTHORIZED
SERVICE CENTER FOR REPAIR.



SENSITIVE ELECTRONIC
COMPONENTS INSIDE!



TRACTOR - - MODEL NO. TS 348XD (96041040400), PRODUCT NO. 960 41 04-04
ELECTRICAL 32

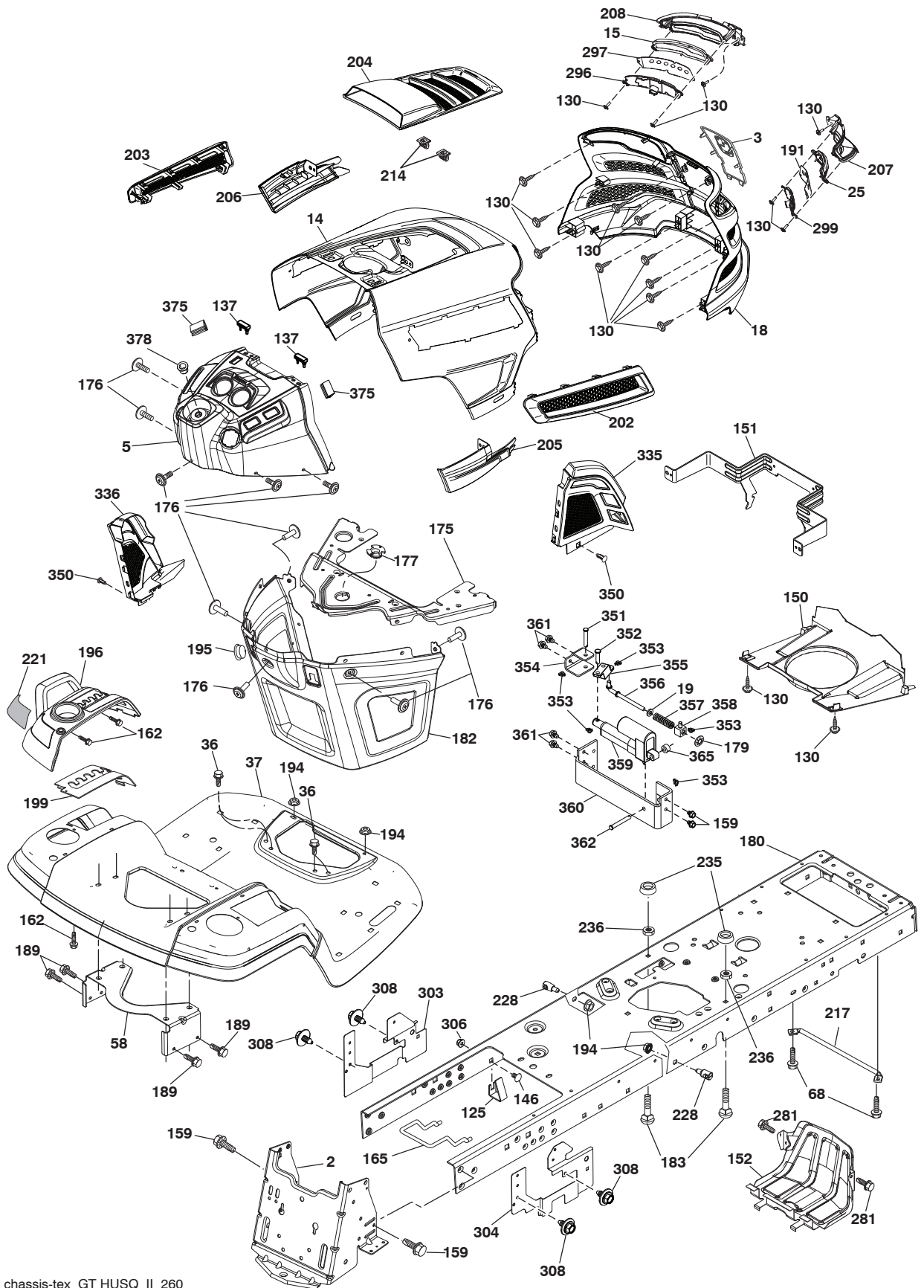


**TRACTOR - - MODEL NO. TS 348XD (96041040400), PRODUCT NO. 960 41 04-04
ELECTRICAL 32**

| KEY NO. | PART NO. | DESCRIPTION |
|----------------|-----------------|----------------------------------|
| 1 | 532 16 34-65 | Battery |
| 2 | 874 76 04-12 | Bolt Hex Hd 1/4-20 unc x 3/4 |
| 8 | 587 20 51-01 | Battery Box |
| 16 | 532 17 61-38 | Switch Interlock |
| 21 | 585 43 64-01 | Harness Light |
| 24 | 590 22 38-01 | Cable Iris FR Batt |
| 25 | 585 55 55-01 | Cable Starter |
| 26 | 532 17 51-58 | Fuse |
| 27 | 873 51 04-00 | Nut Keps Hex 1/4-20 unc |
| 28 | 590 22 37-02 | Cable Ground |
| 29 | 587 64 84-01 | Switch Seat |
| 30 | 532 19 33-50 | Switch Ign |
| 33 | 532 41 19-35 | Key/Chain |
| 34 | 532 11 07-12 | Switch Light/Reset |
| 40 | 590 19 32-01 | Harness Ign. Dash Iris |
| 41 | 817 72 04-08 | Screw 1/4-20 unc x 1/2 |
| 42 | 532 13 15-63 | Cover Terminal Red |
| 43 | 582 04 28-01 | Solenoid |
| 45 | 590 64 59-01 | Guage Fuel Lever Round 2" |
| 46 | 594 72 15-01 | Gauge 6 LED Iris |
| 50 | 582 10 76-01 | Switch PTO |
| 55 | 817 06 05-12 | Screw Thdrol 5/16-18 x 3/4 |
| 71 | 590 19 33-02 | Harness Ign Chassis Iris |
| 75 | 580 36 64-01 | Switch On/On |
| 90 | 532 43 53-95 | Cover Terminal Battery |
| 99 | 817 67 04-12 | Screw Hexwsh Thdrol 1/4-20 x 3/4 |
| 100 | 819 09 14-16 | Washer 9/32 x 7/8 x 16 Ga. |
| 102 | 532 40 44-54 | Harness Pigtail |
| 105 | 532 40 75-68 | Switch Reverse |
| 144 | 590 56 80-01 | Control Unit Ride On IRIS Base |
| 146 | 590 19 34-01 | Harness Engine |

NOTE: All component dimensions given in U.S. inches
1 inch = 25.4 mm

**TRACTOR - - MODEL NO. TS 348XD (96041040400), PRODUCT NO. 960 41 04-04
CHASSIS AND ENCLOSURES 39**



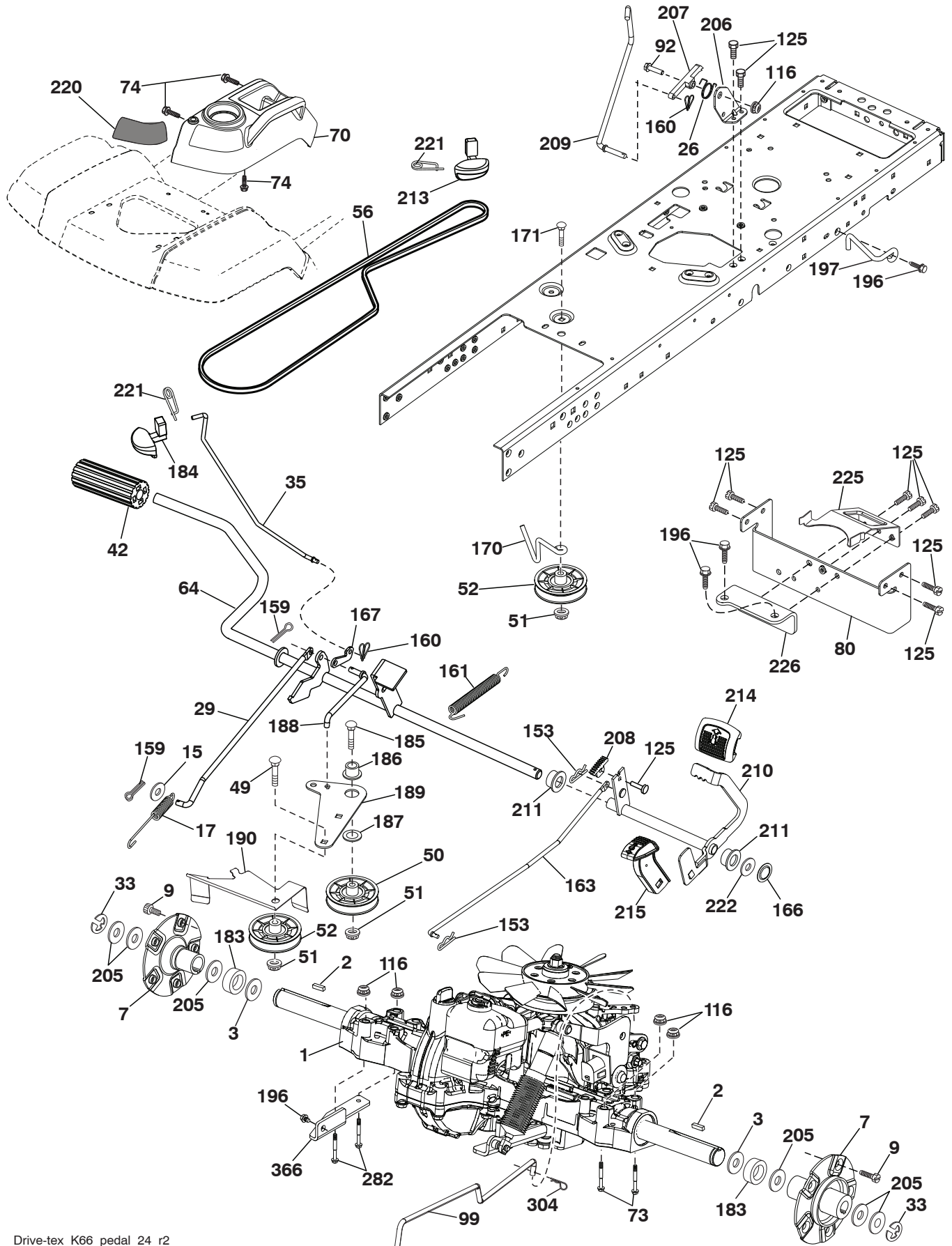
chassis-tex_GT HUSQ_II_260

**TRACTOR - - MODEL NO. TS 348XD (96041040400), PRODUCT NO. 960 41 04-04
CHASSIS AND ENCLOSURES 39**

| KEY NO. | PART NO. | DESCRIPTION | KEY NO. | PART NO. | DESCRIPTION |
|------------|--------------|-------------------------------|------------|--------------|-------------------------------|
| 2 | 580 43 44-01 | Drawbar | 206 | 532 43 97-29 | Skirt Hood Side LH |
| 3 | 532 44 44-81 | Logo Husq. | 207 | 585 42 00-02 | Bezel RH |
| 5 | 590 74 00-22 | Dash | 208 | 585 42 01-02 | Bezel LH |
| 14 | 532 44 11-77 | Hood | 214 | 532 19 91-45 | Clip Retainer |
| 15 | 585 42 03-01 | Lens LH | 217 | 532 40 91-67 | Rod Pivot |
| 18 | 587 52 34-01 | Grille | 221 | 532 19 89-09 | Reflector LH |
| 19 | 819 13 13-12 | Washer 13/32 x 13/16 x 12 Ga. | 228 | 532 19 51-61 | Stud Fastener |
| 25 | 585 42 02-01 | Lens RH | 235 | 532 40 61-29 | Spacer Fender |
| 36 | 817 06 05-12 | Screw 5/16-18 x 3/4 | 236 | 873 93 05-00 | Nut Center Lock 5/16-18 unc |
| 37 | 590 53 47-02 | Fender | 281 | 817 00 06-16 | Screw 3/8-16 x 1 |
| 58 | 532 19 43-14 | Bracket Fender | 296 | 585 42 05-01 | LED Light LH |
| 68 | 539 99 08-58 | Screw 5/16-18 x 1/2 | 297 | 586 18 29-01 | Insert Reflect. LH |
| 125 | 581 68 48-01 | Clip Fuel Line | 299 | 585 42 04-01 | LED Light RH |
| 130 | 532 41 63-58 | Screw #10 x 0.750 BOS Thread | 303 | 589 00 81-02 | Shield Lower LH |
| 137 | 532 40 75-90 | Bumper Dash | 304 | 589 00 90-02 | Shield Lower RH |
| 146 | 581 85 79-01 | Bolt | 306 | 873 90 06-00 | Nut Lock |
| 150 | 532 43 97-74 | Duct Heat Hood | 308 | 532 17 18-77 | Bolt 5/16-18 unc x 3/4 SEMS |
| 151 | 532 43 66-70 | Bracket Pivot Hood | 335 | 532 44 82-04 | Cover RH Lower |
| 152 | 532 43 98-70 | Shield Browning | 336 | 532 44 53-09 | Cover LH Lower |
| 159 | 817 00 06-12 | Screw 3/8-16 x 3/4 | 350 | 532 44 51-43 | Clip X-mas Tree |
| 162 | 532 14 24-32 | Screw Hex Wsh Hi-Lo 1/4 x 1/2 | 351 | 532 42 17-34 | Pin Clevis .375 x 2.125 |
| 165 | 532 19 43-30 | Bracket Support Tank | 352 | 532 44 86-34 | Clevis .375 x 2.125 |
| 175 | 590 60 77-02 | Crossmember | 353 | 532 17 80-62 | Clip Retainer .0375 |
| 176 | 532 40 07-76 | Screw 10-24 x 5/8 Wshd Qdrx | 354 | 532 44 86-19 | Support Bellcrank |
| 177 | 532 19 52-28 | Bushing Steering | 355 | 532 44 86-36 | Bellcrank Pivot Lock Diff |
| 179 | 532 16 89-37 | Nut Push | 356 | 532 44 86-93 | Link Lock Diff |
| 180 | 593 34 63-01 | Chassis | 357 | 532 44 86-84 | Spring Compression |
| 182 | 532 40 68-59 | Dash Lower | 358 | 580 36 66-01 | Swivel Guide |
| 183 | 874 52 05-20 | Bolt 5/16-18 x 1-1/4 | 359 | 584 39 34-01 | Actuator Electric |
| 189 | 817 00 05-12 | Screw 5/16-18 x 3/4 | 360 | 532 44 86-18 | Bracket Actuator |
| 191 | 586 18 28-01 | Insert Reflect. RH | 361 | 817 49 06-10 | Screw Hxwsh Thdr 3/8-16 x 5/8 |
| 194 | 873 90 05-00 | Nut Lock Hex Flange 5/16-18 | 362 | 532 44 86-33 | Clevis .375 x 2.42 |
| 195 | 532 40 41-37 | Plug Hole Dash | 365 | 532 44 73-68 | Nylon Spacer .375 x .4375L |
| 196 | 532 43 96-74 | Console Asm. Deck Lift | 375 | 586 90 82-01 | Dash Clip-On Bumper |
| 199 | 532 19 82-59 | Plate Deck Lift | 378 | 590 84 98-01 | Bushing Flange |
| 202 | 532 43 97-28 | Vent Side Hood RH | -- | 532 43 18-82 | Kit Guard Brush |
| 203 | 532 43 97-27 | Vent Side Hood LH | | | |
| 204 | 532 44 44-84 | Vent Asm Hood Top | | | |
| 205 | 532 43 97-30 | Skirt Hood Side RH | | | |

NOTE: All component dimensions given in U.S. inches
1 inch = 25.4 mm

TRACTOR - - MODEL NO. TS 348XD (96041040400), PRODUCT NO. 960 41 04-04
DRIVE **40**

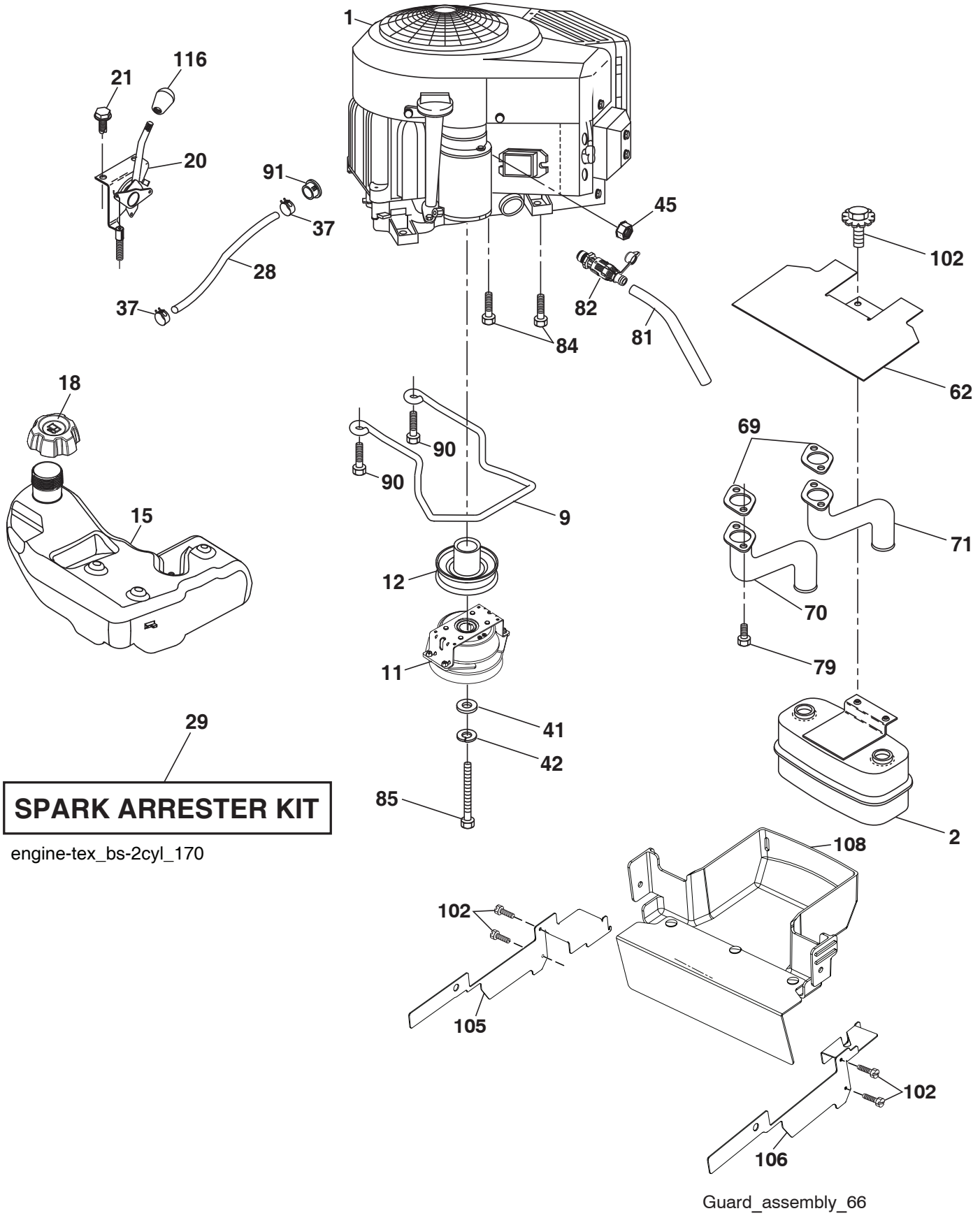


**TRACTOR - - MODEL NO. TS 348XD (96041040400), PRODUCT NO. 960 41 04-04
DRIVE **40****

| KEY NO. | PART NO. | DESCRIPTION |
|---------|--------------|---|
| 1 | --- | Transaxle, Tufftorq K66ELD (580402201) (Order parts from transaxle manufacturer.) |
| 2 | 539 91 27-57 | Key .25 x 1.25 |
| 3 | 532 00 75-63 | Washer Thrust Axle Hardened |
| 7 | 586 93 54-02 | Hub Asm. Wheel |
| 9 | 532 14 00-80 | Bolt Hub Wheel |
| 15 | 819 13 13-16 | Washer 13/32 x 13/16 x 16 Ga. |
| 17 | 532 40 10-72 | Spring, Brake |
| 26 | 532 19 96-79 | Spring Return Cruise |
| 29 | 532 40 72-45 | Rod, Brake |
| 33 | 812 00 00-53 | Ring E |
| 35 | 583 86 45-01 | Rod, Brake, Park |
| 42 | 532 12 48-72 | Cover, Foot Pedal |
| 49 | 872 11 06-14 | Bolt |
| 50 | 532 19 43-27 | Pulley Idler Flat |
| 51 | 873 90 06-00 | Lock Nut 3/8-16 |
| 52 | 532 19 43-26 | Idler V-Groove |
| 56 | 592 85 53-01 | V-Belt, Drive |
| 64 | 532 19 78-65 | Shaft Asm. Pedal Brake Control |
| 70 | 532 43 96-61 | Console Asm |
| 73 | 874 49 05-44 | Bolt Hex Flghd 5/16-18 Gr. 5 |
| 74 | 532 14 24-32 | Screw 1/4 x 1/2 |
| 80 | 589 33 34-02 | Strap Torque |
| 92 | 874 76 05-20 | Bolt 5/16-18 x 1/2 |
| 99 | 582 40 47-01 | Spring Bypass |
| 116 | 873 90 05-00 | Nut Lock Hex Flange 5/16-18 |
| 125 | 817 00 05-12 | Screw 5/16-18 x 3/4 |
| 153 | 532 12 47-88 | Retainer Spring |
| 159 | 876 02 04-12 | Pin Cotter 1/8 x 3/4 |
| 160 | 532 16 94-84 | Retainer Clip |
| 161 | 532 10 57-09 | Spring, Return, Clutch |
| 163 | 532 40 72-46 | Rod Pedal Control |
| 166 | 532 42 91-64 | Nut Push .625 |
| 167 | 532 40 52-57 | Latch Brake Parking |

| KEY NO. | PART NO. | DESCRIPTION |
|---------|--------------|---------------------------------|
| 170 | 532 19 43-22 | Keeper V-Idler Centerspan |
| 171 | 872 11 06-16 | Keeper V-Idler Centerspan |
| 183 | 587 58 74-01 | Spacer |
| 184 | 587 65 37-01 | Handle Parking Brake |
| 185 | 872 11 06-22 | Bolt Rdhd 3/8-16 unc x 2-3/4 G5 |
| 186 | 532 19 43-21 | Spacer Retainer |
| 187 | 819 13 32-10 | Washer |
| 188 | 582 21 70-01 | Link Clutch Ground Drive Long |
| 189 | 532 19 43-17 | Bellcrank Ground Drive |
| 190 | 532 19 43-18 | Keeper Bellcrank Ground Drive |
| 196 | 817 00 06-16 | Screw 3/8-16 x 1 |
| 197 | 585 65 86-01 | Bracket Clutch Anti-Rotation |
| 205 | 532 12 38-00 | Washer 1-1/32 x 1-5/8 x 16 Ga. |
| 206 | 532 44 85-96 | Bracket Mount Latch Cruise |
| 207 | 587 03 14-01 | Latch Control Cruise |
| 208 | 532 19 78-69 | Gear Sector Control Cruise |
| 209 | 532 19 95-92 | Rod Control Cruise |
| 210 | 532 19 78-60 | Rocker Asm. Pedal Control |
| 211 | 532 12 01-83 | Bearing Nylon |
| 213 | 532 40 31-19 | Knob Control Cruise |
| 214 | 532 42 12-63 | Pedal Forward |
| 215 | 586 60 65-02 | Pedal Reverse |
| 220 | 532 19 89-08 | Reflector RH |
| 221 | 532 40 31-87 | Retainer Spring Clip Handle |
| 222 | 879 21 20-10 | Washer 21/32 x 1-1/4 x 10 Ga. |
| 225 | 532 40 73-11 | Keeper Belt |
| 226 | 532 40 71-09 | Bracket Mount Torque |
| 282 | 874 49 05-48 | Bolt 5/16-18 x 3.0 G5 |
| 304 | 532 42 33-03 | Pin |
| 366 | 580 62 62-02 | Bracket Reinforcement |

NOTE: All component dimensions given in U.S. inches
1 inch = 25.4 mm

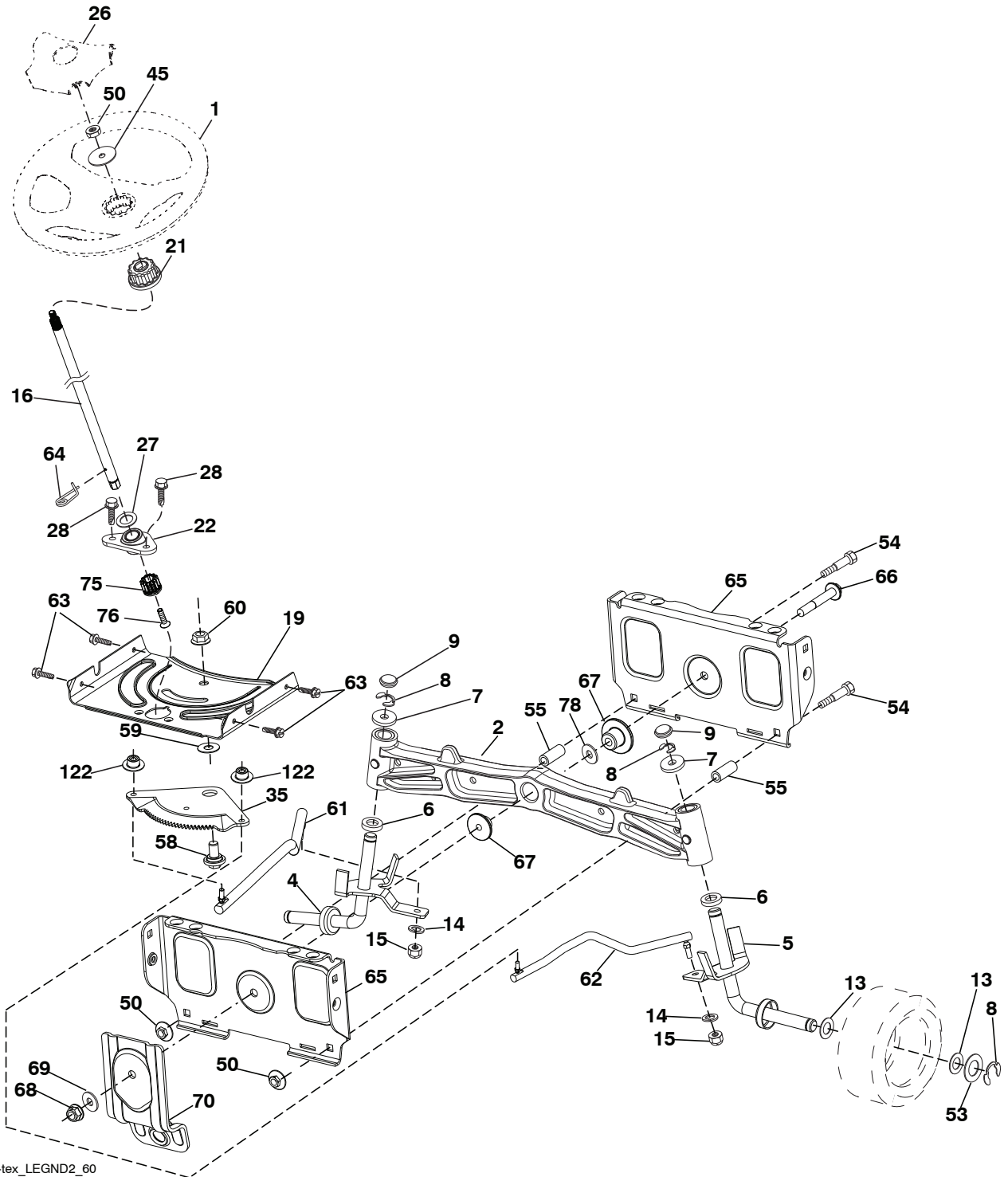


**TRACTOR - - MODEL NO. TS 348XD (96041040400), PRODUCT NO. 960 41 04-04
ENGINE 24**

| KEY NO. | PART NO. | DESCRIPTION |
|----------------|-----------------|--|
| 1 | ----- | Engine B&S Model No. 44U877-0023-B1 (594083601)(Order parts from engine manufacturer.) |
| 2 | 532 44 59-62 | Muffler |
| 9 | 501 83 26-01 | Keeper Asm. Belt Engine |
| 11 | 587 24 14-01 | Clutch Electric |
| 12 | 532 19 43-43 | Pulley Engine |
| 15 | 593 23 25-01 | Tank Fuel |
| 18 | 585 12 48-01 | Cap Asm |
| 20 | 532 42 43-41 | Control Throttle |
| 21 | 532 41 63-58 | Screw #10 x 0.750 BOS Thread |
| 28 | 587 04 48-61 | Fuel Line |
| 29 | 532 13 71-80 | Spark Arrester Kit |
| 37 | 532 12 34-87 | Clamp Hose |
| 41 | 532 12 61-97 | Washer 1-1/2 OD x 15/32 ID x .250 |
| 42 | 539 99 02-47 | Washer 7/16 SLW STD |
| 45 | 873 51 04-00 | Nut Keps Hex 1/4-20 unc |
| 62 | 532 43 40-17 | Shield Heat Muffler |
| 69 | 532 16 53-91 | Gasket |
| 70 | 581 88 11-01 | Tube Exhaust LH |
| 71 | 581 88 10-01 | Tube Exhaust RH |
| 79 | 532 18 39-06 | Screw Socket Head 5/16-18 x 1 |
| 81 | 532 14 84-56 | Oil Tube Drain |
| 82 | 532 42 82-87 | Valve Oil Drain |
| 84 | 817 06 06-20 | Screw 3/8-16 x 1-1/4 |
| 85 | 501 60 69-01 | Bolt 7/16-20 x 3.0 x Gr. 5 |
| 90 | 817 00 06-16 | Screw 3/8-16 x 1 |
| 91 | 532 18 74-95 | Bushing |
| 102 | 817 00 05-12 | Screw 5/16 x 3/4 |
| 105 | 591 20 49-02 | Shield Chassis LH |
| 106 | 591 20 50-02 | Shield Chassis RH |
| 108 | 592 72 71-01 | Cover Engine Pulley |
| 116 | 539 13 26-24 | Knob Soft Touch |

NOTE: All component dimensions given in U.S. inches
1 inch = 25.4 mm

TRACTOR - - MODEL NO. TS 348XD (96041040400), PRODUCT NO. 960 41 04-04
STEERING ASSEMBLY **41**



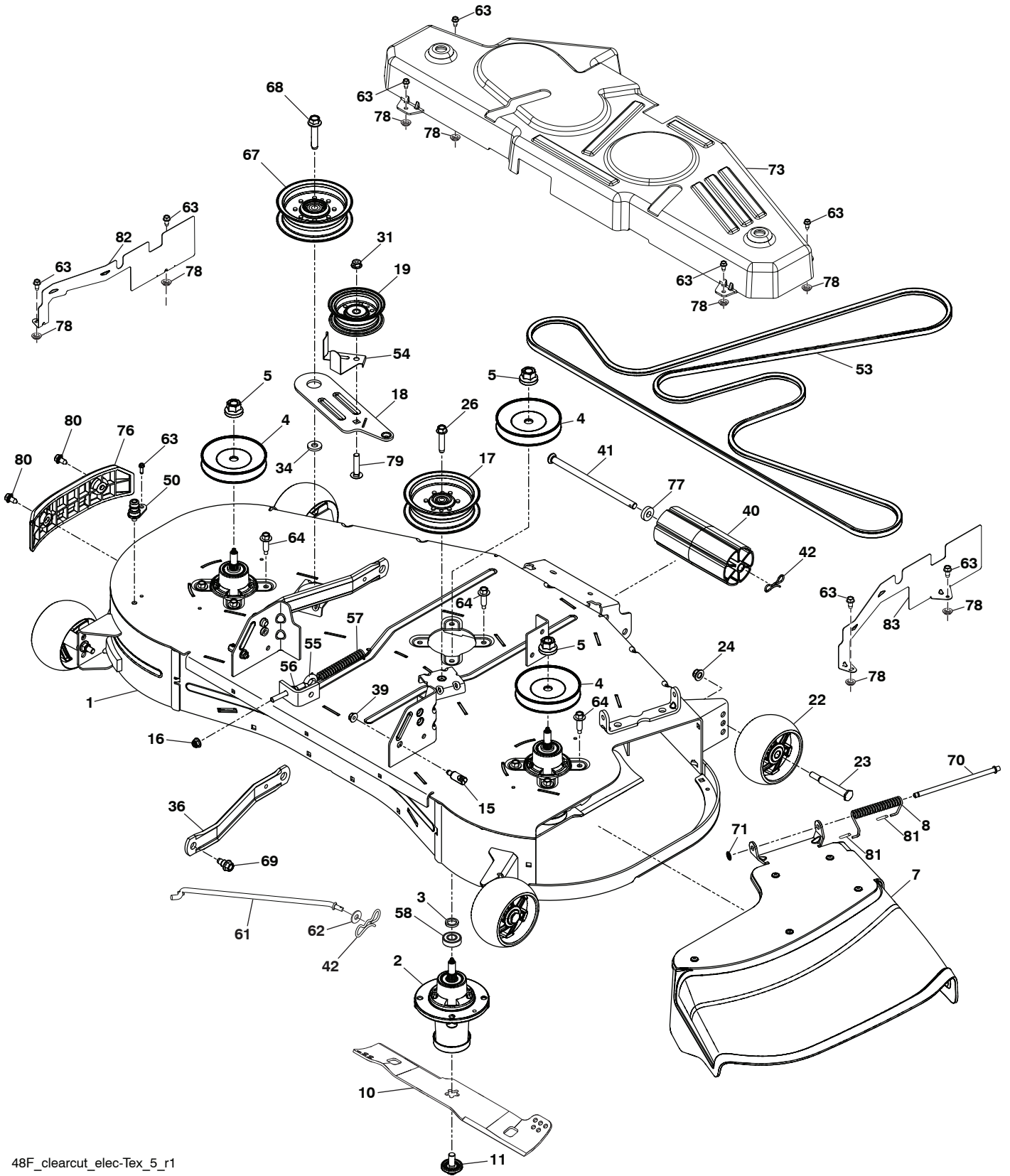
Steering-tex_LEGND2_60

**TRACTOR - - MODEL NO. TS 348XD (96041040400), PRODUCT NO. 960 41 04-04
STEERING ASSEMBLY 41**

| KEY NO. | PART NO. | DESCRIPTION |
|--------------------|---------------------|-------------------------------------|
| 1 | 532 43 97-40 | Wheel, Steering |
| 2 | 532 19 59-68 | Axle Asm., Front |
| 4 | 532 40 31-72 | Spindle Asm. LH |
| 5 | 532 40 31-73 | Spindle Asm. RH |
| 6 | 532 12 49-31 | Bearing, Race Thrust Harden |
| 7 | 532 12 17-48 | Washer 25/32 x 1-5/8 x 16 Ga. |
| 8 | 812 00 00-29 | Ring, Clip #T5304-75 |
| 9 | 532 12 12-32 | Cap, Spindle |
| 13 | 532 12 17-49 | Washer 25/32 x 1-1/4 x 16 Ga. |
| 14 | 539 99 01-18 | Washer, SLW ZD 3/8 |
| 15 | 873 54 06-00 | Nut, Crown Lock 3/8-24 unF |
| 16 | 587 01 60-02 | Steering Shaft |
| 19 | 532 19 47-29 | Plate Steering |
| 21 | 586 84 02-01 | Adapter Wheel Steering |
| 22 | 585 02 99-01 | Bearing |
| 26 | 532 43 97-43 | Insert, Wheel Steering |
| 27 | 819 21 16-16 | Washer |
| 28 | 817 00 06-12 | Screw 3/8-16 x 3/4 |
| 35 | 532 19 47-32 | Gear, Sector Plate |
| 45 | 587 01 64-01 | Washer 3/8 ID 2-3/8 OD 12 Ga. PLTD |
| 50 | 873 90 06-00 | Nut Lock Flg 3/8-16 unc |
| 53 | 532 18 89-67 | Washer Hardened .793 x 1.637 x .060 |
| 54 | 874 76 06-36 | Bolt Hex 3/8-16 unc x 2-1/4 |
| 55 | 532 41 47-36 | Bolt Hex 3/8-16 unc x 2-1/4 |
| 58 | 532 19 47-47 | Bolt Shoulder Sector Pivot CFM |
| 59 | 532 19 47-48 | Washer Thrust Sector Steering |
| 60 | 873 97 10-00 | Nut Flange Lock 5/8-11 |
| 61 | 588 79 44-01 | Draglink, LH |
| 62 | 588 79 45-01 | Draglink, RH |
| 63 | 817 00 05-12 | Screw 5/16-18 x 3/4 |
| 64 | 532 19 98-49 | Retainer Clip Spring Steering |
| 65 | 532 19 47-34 | Brace Axle Front |
| 66 | 871 02 07-48 | Bolt Hex Fghd 7/16-14 x 3 Serr |
| 67 | 532 19 47-37 | Bushing PM Front Axle |
| 68 | 873 90 07-00 | Nut Lock Flange 7/16-14 Gr. 5 |
| 69 | 532 19 91-62 | Washer 1.5 x .505 x .118 |
| 70 | 585 33 88-01 | Bracket Deck Susp. Front |
| 75 | 580 68 37-01 | Pinion |
| 76 | 580 68 36-01 | Screw Head Sock |
| 78 | 532 05 70-79 | Washer Thrust |
| 122 | 532 44 49-62 | Cap Gear Sector |

NOTE: All component dimensions given in U.S. inches
1 inch = 25.4 mm

TRACTOR - - MODEL NO. TS 348XD (96041040400), PRODUCT NO. 960 41 04-04
MOWER DECK 44



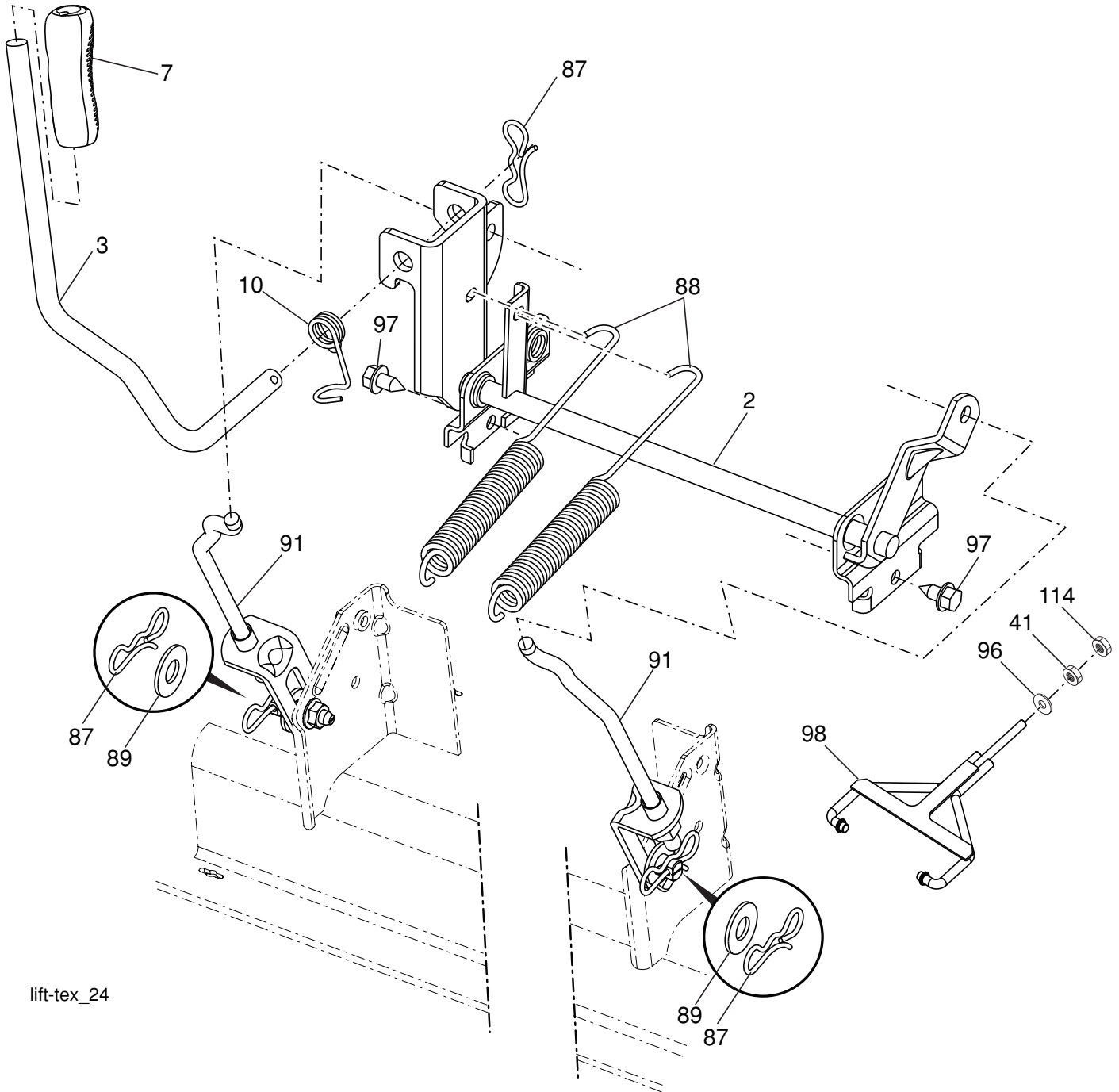
48F_clearcut_elec-Tex_5_r1

**TRACTOR - - MODEL NO. TS 348XD (96041040400), PRODUCT NO. 960 41 04-04
MOWER DECK 44**

| KEY NO. | PART NO. | DESCRIPTION | KEY NO. | PART NO. | DESCRIPTION |
|------------|--------------|------------------------------|------------|--------------|--|
| 1 | 588 78 80-02 | Deck | 55 | 539 11 55-74 | Eyebolt 5/16 x 3-1/2 |
| 2 | 539 13 18-98 | Housing Assembly | 56 | 539 99 05-85 | Nut 5/16-18 Hx |
| 3 | 532 18 76-90 | Washer-Spacer | 57 | 587 35 84-01 | Spring Extn. |
| 4 | 532 17 34-34 | Pulley, Mandrel | 58 | 532 11 04-85 | Ball Bearing |
| 5 | 532 40 02-34 | Nut Flange Lock Top | 61 | 532 40 03-37 | Rod Anti-Sway |
| 7 | 588 98 07-01 | Deflector Asm. 48" | 62 | 819 13 13-12 | Washer 13/32 x 13/16 x 12 Ga. |
| 8 | 587 35 47-01 | Spring - Torsion | 63 | 817 49 04-10 | Screw 1/4-20 x 5/8 Hx Self Tap ZD |
| 10 | 591 20 39-02 | Blade | 64 | 584 95 39-01 | Bolt Hex Washer Head .313-18 x 1.19 |
| 11 | 532 19 30-03 | Bolt Washer Assy 7/16-20 | 67 | 532 19 61-06 | Pulley Idler |
| 15 | 532 19 51-61 | Stud, Fasten w/ Anti- Rotate | 68 | 817 49 06-28 | Screw Thdrl 3/8-16 x 1-3/4 TT |
| 16 | 539 11 28-99 | Nut 5/16-18 Hx Flng NYLOC | 69 | 532 19 65-39 | Bolt Shoulder |
| 17 | 532 19 61-04 | Pulley, Idler Spec. Hub | 70 | 532 13 14-91 | Rod Hinge |
| 18 | 588 81 23-02 | Arm Idler | 71 | 532 11 04-52 | Nut Push |
| 19 | 532 19 31-97 | Pulley, Idler | 73 | 591 20 46-01 | Cover Mandrel |
| 22 | 589 52 73-01 | Wheel, Gauge | 76 | 582 54 11-03 | Bumper Side Trim |
| 23 | 532 19 34-06 | Bolt Shoulder 3/8-16 x 3-5/8 | 77 | 582 36 05-01 | Bushing Nose Roller |
| 24 | 521 99 65-01 | Nut 3/8-16 Hex Flg Nyloc | 78 | 532 42 30-62 | Palnut 1/4 |
| 26 | 588 43 83-01 | Screw 7/16-14 x 2.125 Wsh | 79 | 872 11 06-14 | Bolt RdHd 3/8-16 unc x 1-3/4 Gr. 5 |
| 31 | 873 90 06-00 | Nut Lock Flng 3/8-16 unc | 80 | 532 17 01-65 | Bolt 5/16 |
| 34 | 532 17 85-15 | Washer, Flat Hardened | 81 | 532 10 53-04 | Cap Sleeve |
| 36 | 532 19 51-85 | Arm, Susp., Rear | 82 | 591 20 47-02 | Shield Deck LH |
| 39 | 873 90 05-00 | Nut Lock Hx Flng 5/16-18 | 83 | 591 20 48-02 | Shield Deck RH |
| 40 | 532 17 60-66 | Roller, Nose, 48" | | | |
| 41 | 532 17 91-27 | Rod, Roller, Nose, Narrow | | | |
| 42 | 532 19 42-08 | Pin Cotter | | | |
| 50 | 532 41 55-98 | Washout Port | | | |
| 53 | 588 81 43-01 | Belt, Deck | | | |
| 54 | 532 14 10-43 | Guard, Belt | | | |

NOTE: All component dimensions given in U.S. inches
1 inch = 25.4 mm

TRACTOR - - MODEL NO. TS 348XD (96041040400), PRODUCT NO. 960 41 04-04
MOWER LIFT 45



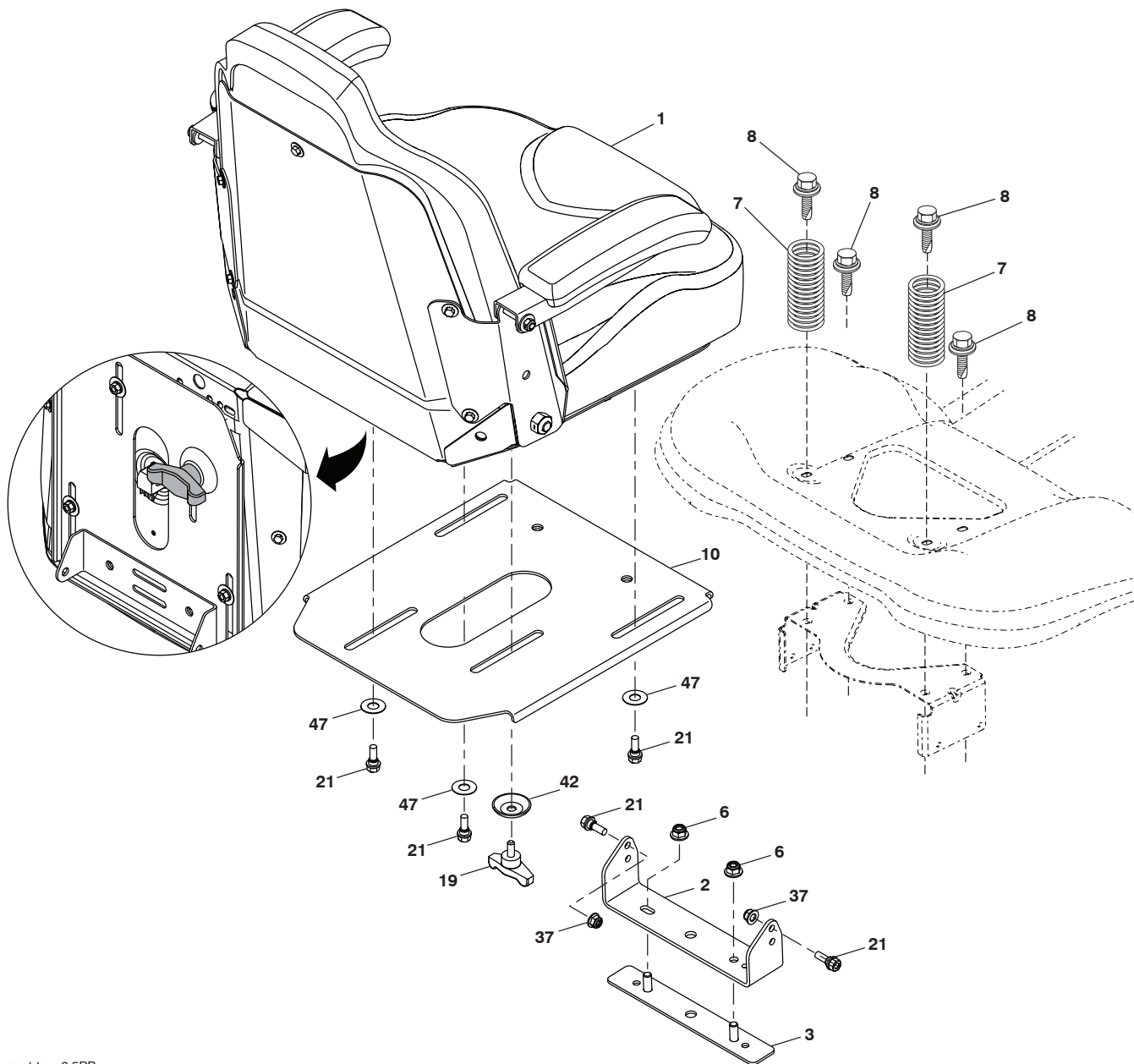
lift-tex_24

| KEY NO. | PART NO. | DESCRIPTION |
|---------|--------------|------------------------------|
| 2 | 532 42 20-27 | Shaft Asm., Lift |
| 3 | 532 19 52-30 | Lever Asm., Lift RH |
| 7 | 580 96 23-01 | Grip, Lever |
| 10 | 532 19 63-14 | Spring Torsion |
| 41 | 532 17 59-94 | Nut Lift Link |
| 87 | 532 19 42-09 | Pin Cotter 7/16 Bow Tie Lock |
| 88 | 532 19 53-04 | Spring Lift Assist |
| 89 | 819 19 19-12 | Washer Clear Zinc |

| KEY NO. | PART NO. | DESCRIPTION |
|---------|--------------|-----------------------------|
| 91 | 532 40 34-07 | Link Lift Susp Mower Rear |
| 96 | 532 19 52-63 | Bushing Spherical |
| 97 | 817 00 06-12 | Screw 3/8-16 x .75 |
| 98 | 574 82 25-01 | Link Lift Susp. Front Mower |
| 114 | 873 36 07-00 | Nut Jam 7/16-20 |

NOTE: All component dimensions given in U.S. inches
 1 inch = 25.4 mm

**TRACTOR - - MODEL NO. TS 348XD (96041040400), PRODUCT NO. 960 41 04-04
SEAT ASSEMBLY 42**



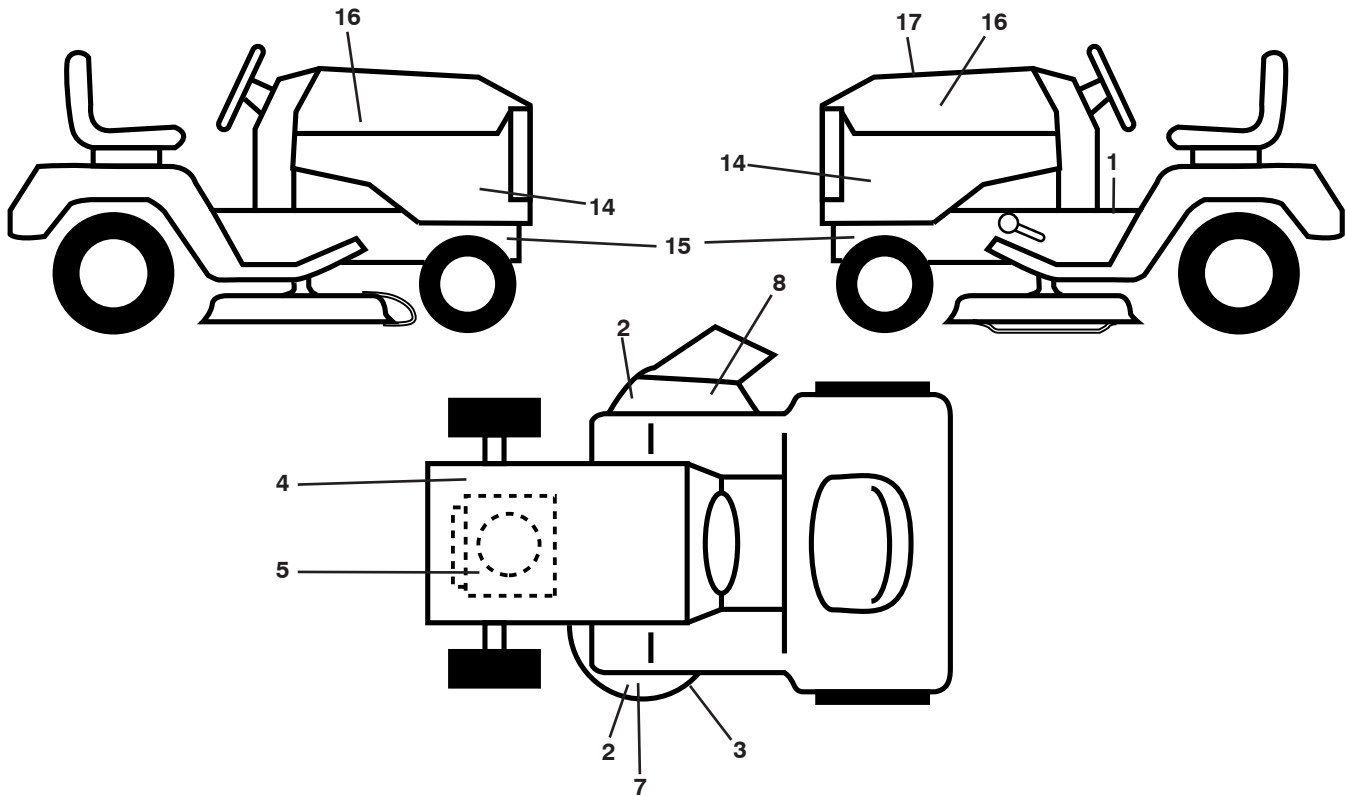
seat-tex_6.5PB

| KEY NO. | PART NO. | DESCRIPTION |
|---------|--------------|---------------------------|
| 1 | 590 33 73-01 | Seat |
| 2 | 590 33 66-02 | Bracket Pivot Fender |
| 3 | 590 77 76-02 | Bracket Pivot Seat |
| 6 | 521 99 65-01 | Nut, Lock 3/8-16 unc |
| 7 | 590 81 23-01 | Spring, Seat Cprsn |
| 8 | 532 17 18-77 | Bolt 5/16-18 x 3/4 w/Sems |
| 10 | 590 48 17-02 | Pan, Seat |
| 19 | 590 69 15-01 | Knob Seat |

| KEY NO. | PART NO. | DESCRIPTION |
|---------|--------------|--------------------------------|
| 21 | 532 16 96-12 | Bolt, Shoulder 5/16-18 x 5/8 |
| 37 | 539 11 28-99 | Nut, Lock 5/16-18 Hex |
| 42 | 532 19 93-71 | Washer |
| 47 | 590 35 11-01 | Washer Nylon .05 x 1.12 x .033 |

NOTE: All component dimensions given in U.S. inches
1 inch = 25.4 mm

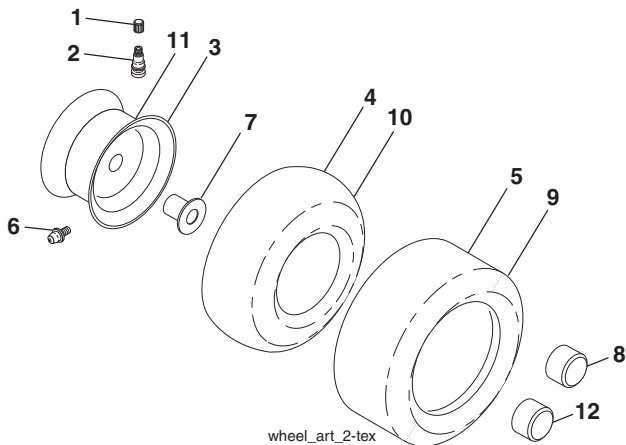
**TRACTOR - - MODEL NO. TS 348XD (96041040400), PRODUCT NO. 960 41 04-04
DECALS 27**



| KEY NO. | PART NO. | DESCRIPTION |
|---------|--------------|----------------------------|
| 1 | 586 04 73-02 | Decal, Warning |
| 2 | 589 35 79-01 | Decal, No Step |
| 3 | 581 58 00-02 | Decal, Mower Sch. |
| 4 | 594 72 71-01 | Decal, B&S Endurance |
| 5 | 581 57 97-01 | Decal, Engine Warning |
| 7 | 590 88 50-01 | Decal, Deck Clearcut |
| 8 | 586 97 88-01 | Decal, Deflect. Warning |
| 14 | 591 44 85-01 | Decal, Panel Side |
| 15 | 581 57 96-01 | Decal, Chassis Hot Muffler |
| 16 | 581 62 73-01 | Decal, Hood Logo |
| 17 | 594 91 97-01 | Decal, Replacement |

| KEY NO. | PART NO. | DESCRIPTION |
|---------|--------------|-----------------------------|
| -- | 581 72 48-01 | Decal, Bypass |
| -- | 581 72 46-01 | Decal, 6Mil Drawbar |
| -- | 581 57 98-01 | Decal, Warning Service/Fire |
| -- | 532 43 98-82 | Pad, Footrest, LH |
| -- | 532 43 98-81 | Pad, Footrest, RH |
| -- | 115 95 84-40 | Manual, Operator's (Euro) |
| -- | 115 95 85-50 | Manual, Operator's (Scan) |
| -- | 115 95 86-20 | Manual, Part's (Eblock) |
| -- | 115 95 87-30 | Manual, Part's (Balt) |

WHEELS AND TIRES



| KEY NO. | PART NO. | DESCRIPTION |
|---------|--------------|------------------------------------|
| 1 | 532 05 91-92 | Cap, Valve, Tire |
| 2 | 532 06 51-39 | Stem, Valve |
| 3 | 532 18 18-39 | Rim Assembly, Front |
| 4 | 532 00 81-34 | Tube, Front (Service Item Only) |
| 5 | 593 14 51-01 | Tire, Front 16 x 6.5-8 |
| 6 | 532 12 49-57 | Fitting, Grease (Front Wheel Only) |
| 7 | 532 12 49-59 | Bearing, Flange (Front Wheel Only) |
| 8 | 532 17 50-39 | Cap, Axle, Front |
| 9 | 593 14 52-01 | Tire, Rear 23 x 10.5-12 |
| 10 | 532 00 71-54 | Tube, Rear (Service Item Only) |
| 11 | 593 14 48-01 | Rim Assembly, Rear |
| 12 | 501 50 31-01 | Cap, Hub, GT, PM, Black, Rear |
| -- | 532 14 43-34 | Sealant, Tire (10 oz. Tube) |

NOTE: All component dimensions given in U.S. inches
1 inch = 25.4 mm

