

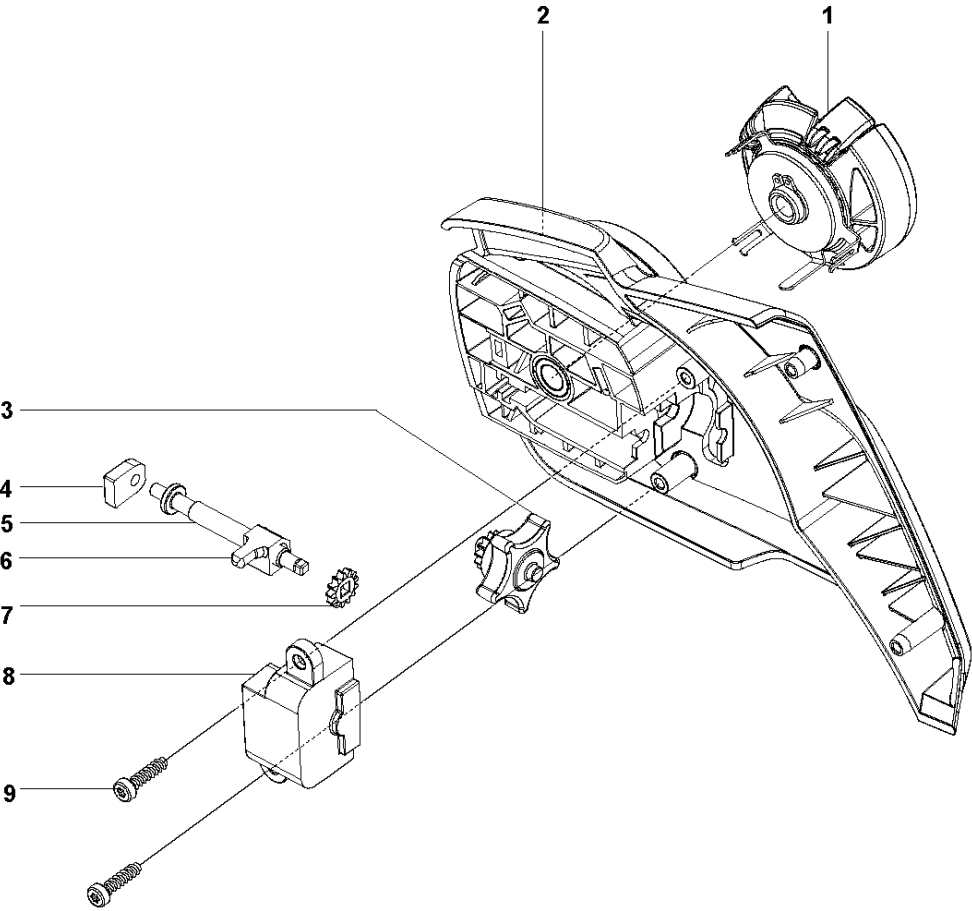


SPARE PARTS LIST

CHAIN SAWS

120i, 967098201,967098202,967098203,
967098101,967098102, 2018-02

D 120i
CLUTCH COVER

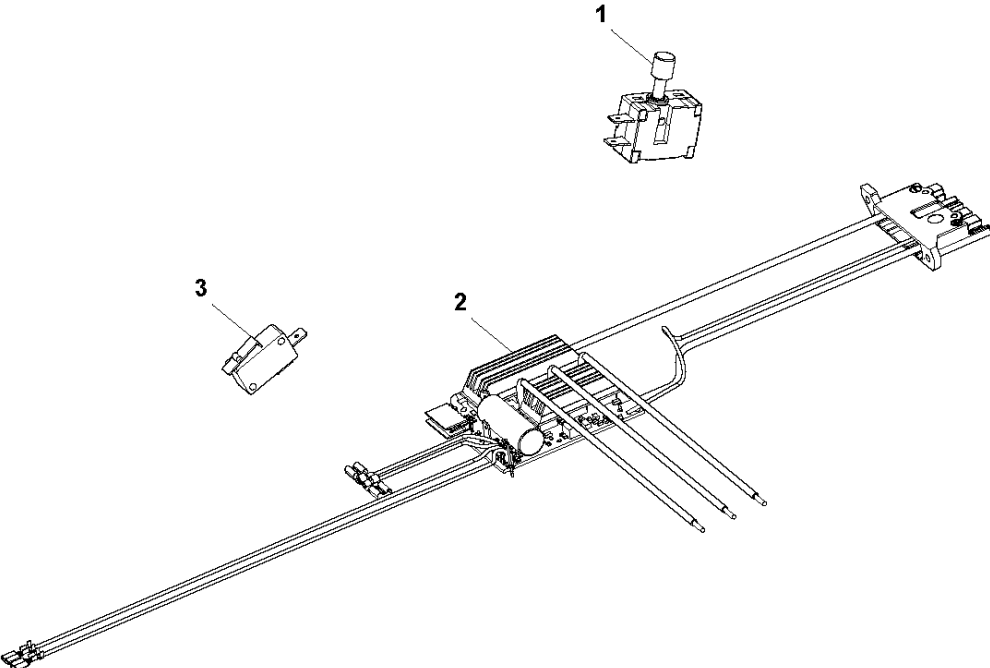


CLUTCH COVER

120i, 967098201,967098202,967098203, 967098101,967098102, 2018-02

| Ref | Part No | Description | Remark | QTY KIT |
|-----|--------------|-----------------|--------|---------|
| 1 | 591 47 11-01 | KNOB | | 1 |
| 2 | 585 59 32-01 | CLUTCH COVER | | 1 |
| 3 | 578 77 65-01 | CHAIN TENSIONER | | 1 |
| 4 | 585 59 40-01 | SLEEVE | | 1 |
| 5 | 585 59 39-01 | SHAFT | | 1 |
| 6 | 585 59 37-01 | PLATE | | 1 |
| 7 | 585 59 35-01 | PINION | | 1 |
| 8 | 585 59 34-01 | COVER | | 1 |
| 9 | 585 81 90-01 | SCREW | | 2 |

F 120i
ELECTRICAL



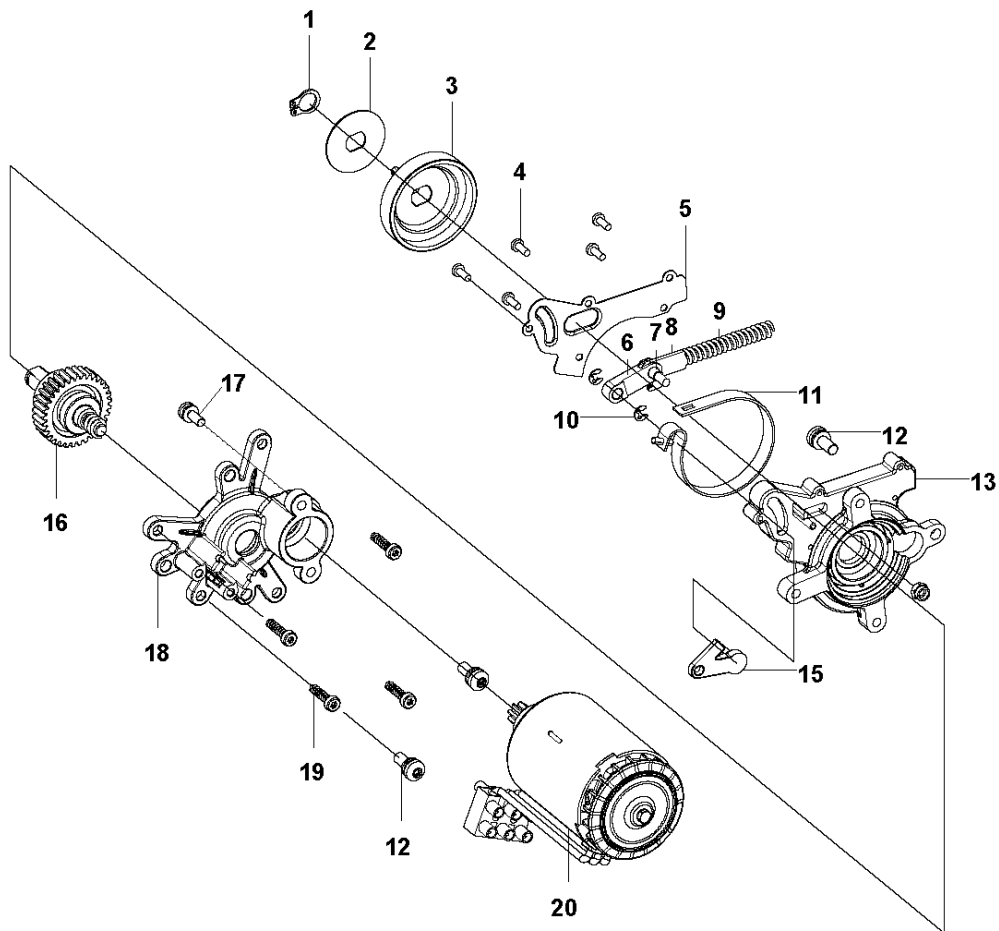
ELECTRICAL

120i, 967098201,967098202,967098203, 967098101,967098102, 2018-02

| Ref | Part No | Description | Remark | QTY KIT |
|-----|--------------|--------------|--------|---------|
| 1 | 591 15 70-01 | SWITCH | | 1 |
| 2 | 582 40 59-05 | CONTROL UNIT | | 1 |
| 3 | 591 15 71-01 | MICRO SWITCH | | 1 |

B2 120i
GEAR BOX

HIGHER THAN S/N



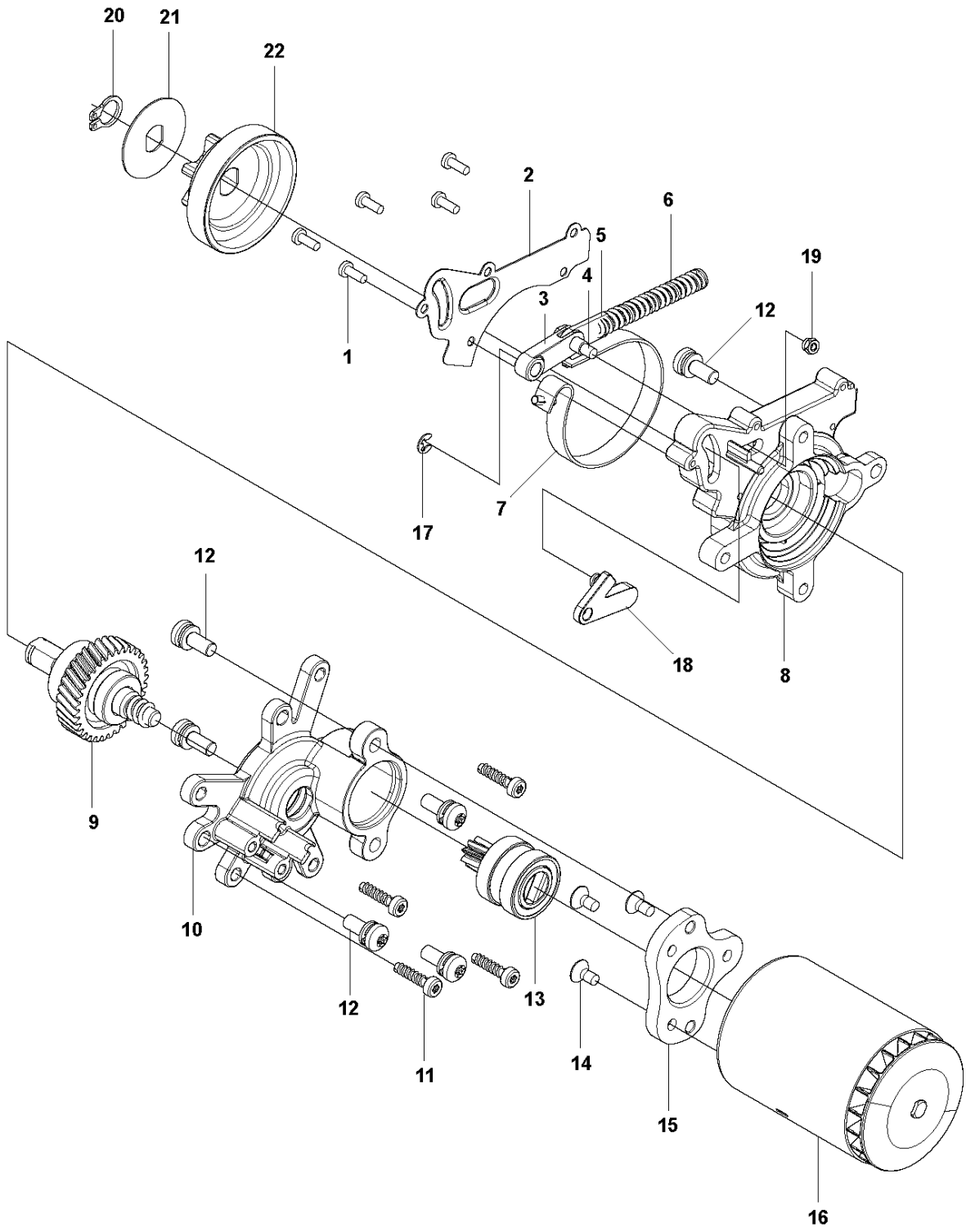
GEAR BOX

120i, 967098201,967098202,967098203, 967098101,967098102, 2018-02

| Ref | Part No | Description | Remark | QTY KIT |
|-----|--------------|--------------|------------|---------|
| 1 | 574 79 77-01 | LOCKING RING | | 1 |
| 2 | 585 60 20-01 | WASHER | | 1 |
| 3 | 585 58 96-01 | SPROCKET | "3/8""-6T" | 1 |
| 4 | 586 90 30-01 | SCREW | | 5 |
| 5 | 585 58 97-01 | COVER PLATE | | 9 |
| 6 | 585 60 35-01 | PLATE | | 1 |
| 7 | 586 90 26-01 | PEN | | 2 |
| 8 | 585 59 44-01 | PLATE | | 1 |
| 9 | 585 59 05-01 | BRAKE SPRING | | 1 |
| 10 | 587 37 77-01 | CLAMP | | 2 |
| 11 | 585 59 03-01 | BRAKE BAND | | 1 |
| 12 | 586 90 28-01 | SCREW | | 4 |
| 13 | 582 48 68-01 | GEARBOX | | 1 |
| 14 | 586 90 27-01 | NUT | | 1 |
| 15 | 582 48 87-01 | DRIVE LINK | | 1 |
| 16 | 591 38 89-01 | SHAFT | | 1 |
| 17 | 585 94 44-02 | SCREW | | 2 |
| 18 | 591 07 39-01 | GEARBOX | | 1 |
| 19 | 585 81 90-02 | SCREW | | 4 |
| 20 | 591 09 07-01 | MOTOR | | 1 |

B1 120i
GEAR BOX

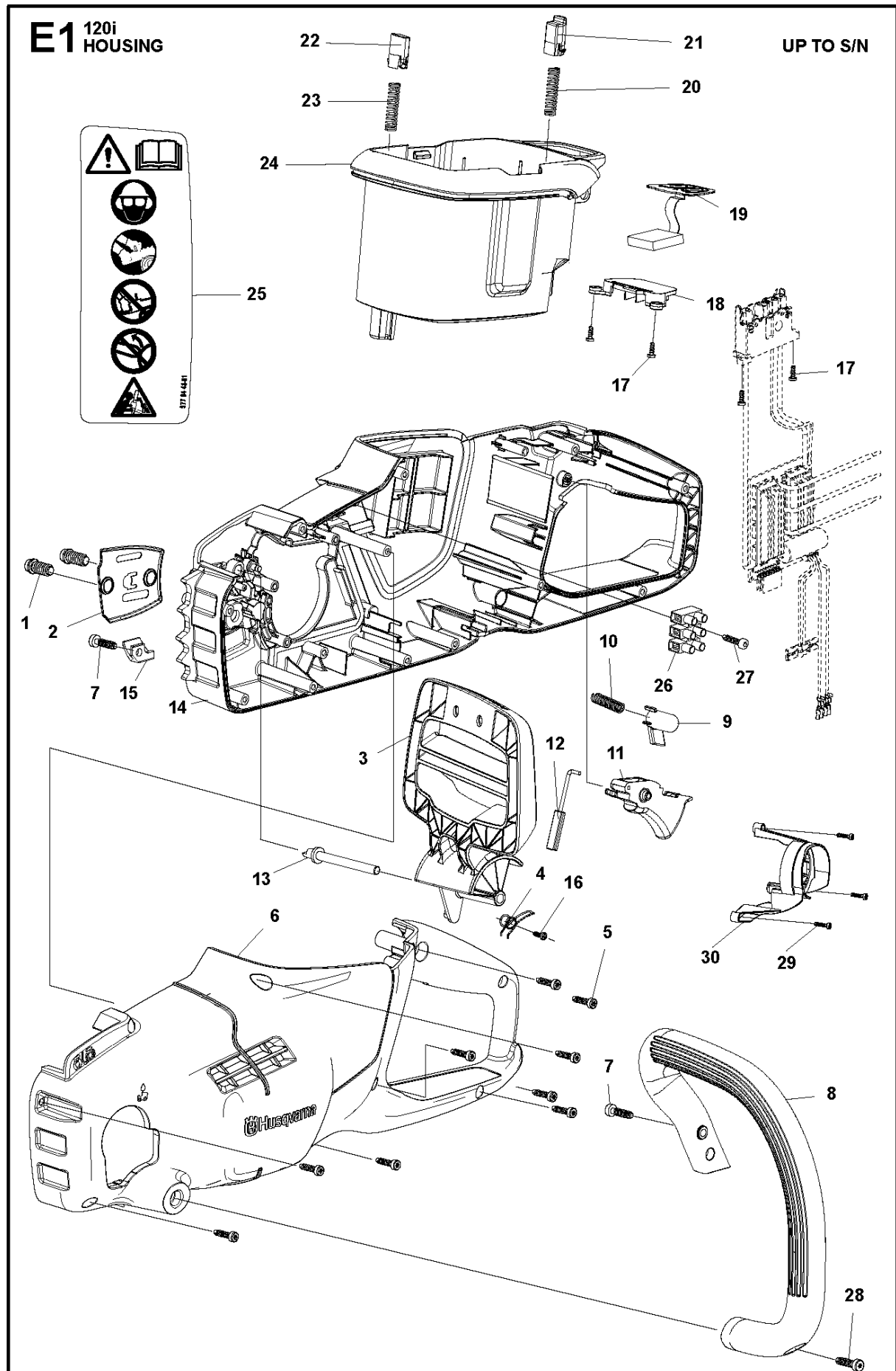
UP TO S/N



GEAR BOX

120i, 967098201,967098202,967098203, 967098101,967098102, 2018-02

| Ref | Part No | Description | Remark | QTY KIT |
|-----|--------------|--------------|------------|---------|
| 1 | 586 90 30-01 | SCREW | | 5 |
| 2 | 585 58 97-01 | COVER PLATE | | 1 |
| 3 | 585 60 35-01 | PLATE | | 1 |
| 4 | 586 90 26-01 | PEN | | 1 |
| 5 | 585 59 44-01 | PLATE | | 1 |
| 6 | 585 59 05-01 | BRAKE SPRING | | 1 |
| 7 | 585 59 03-01 | BRAKE BAND | | 1 |
| 8 | 582 48 68-01 | GEARBOX | | 1 |
| 9 | 582 86 43-01 | SHAFT | | 1 |
| 10 | 582 45 47-01 | GEARBOX | | 1 |
| 11 | 585 81 90-02 | SCREW | | 4 |
| 12 | 586 90 28-01 | SCREW | | 6 |
| 13 | 582 86 42-01 | PINION | | 1 |
| 14 | 582 56 11-01 | SCREW | | 3 |
| 15 | 582 45 67-01 | CONNECTOR | | 1 |
| 16 | 582 49 22-01 | MOTOR | | 1 |
| 17 | 587 37 77-01 | CLAMP | | 1 |
| 18 | 582 48 87-01 | DRIVE LINK | | 1 |
| 19 | 586 90 27-01 | NUT | | 1 |
| 20 | 574 79 77-01 | LOCKING RING | | 1 |
| 21 | 585 60 20-01 | WASHER | | 1 |
| 22 | 585 58 96-01 | SPROCKET | "3/8""-6T" | 1 |



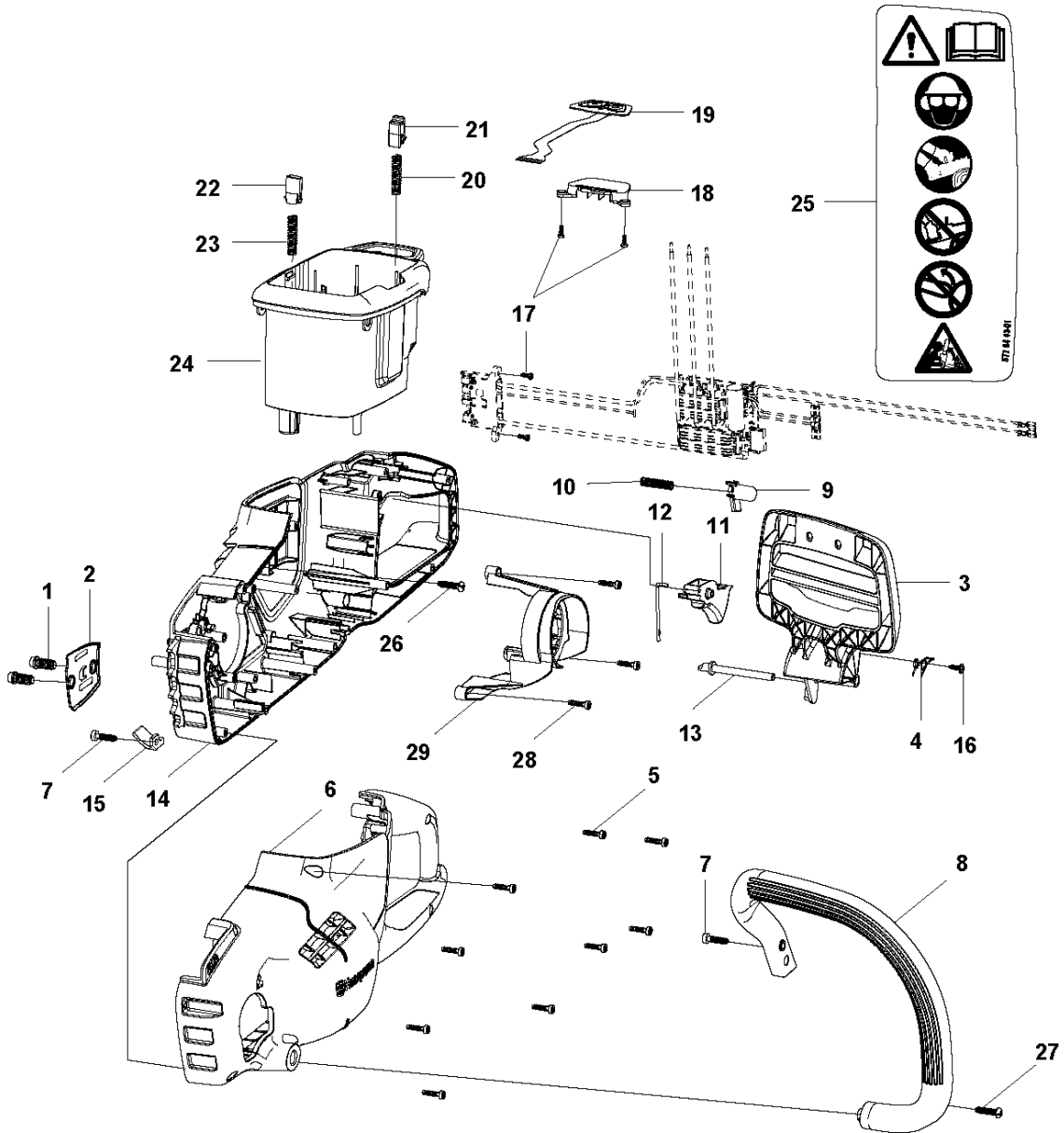
HOUSING

120i, 967098201,967098202,967098203, 967098101,967098102, 2018-02

| Ref | Part No | Description | Remark | QTY KIT |
|-----|--------------|----------------|--------|---------|
| 1 | 587 42 66-01 | SCREW | | 2 |
| 2 | 585 60 27-01 | MOUNTING PLATE | | 1 |
| 3 | 585 58 13-01 | BRAKE | | 1 |
| 4 | 587 60 01-01 | SPRING | | 1 |
| 5 | 585 81 90-02 | SCREW | | 9 |
| 6 | 588 16 25-02 | HOUSING | | 1 |
| 7 | 585 59 25-01 | SCREW | | 2 |
| 8 | 585 59 02-01 | FRONT HANDLE | | 1 |
| 9 | 585 59 00-01 | BUTTON | | 1 |
| 10 | 585 59 01-01 | SPRING | | 1 |
| 11 | 585 58 98-01 | TRIGGER | | 1 |
| 12 | 585 58 93-01 | LEVER | | 1 |
| 13 | 585 93 19-01 | PIVOT | | 1 |
| 14 | 585 56 68-02 | HOUSING | | 1 |
| 15 | 505 28 85-01 | CHAIN CATCHER | | 1 |
| 16 | 575 30 98-02 | SCREW | | 1 |
| 17 | 585 81 89-01 | SCREW | | 4 |
| 18 | 585 59 23-01 | BRACKET | | 1 |
| 19 | 582 54 15-01 | KEYPAD | | 1 |
| 20 | 585 63 62-01 | SPRING | | 1 |
| 21 | 577 99 66-01 | PUSH BUTTON | | 1 |
| 22 | 585 63 60-01 | PUSH BUTTON | | 1 |
| 23 | 585 63 66-01 | SPRING | | 1 |
| 24 | 585 59 30-01 | BATTERY BOX | | 1 |
| 25 | 577 84 43-01 | DECAL | | 1 |
| 26 | 582 56 93-01 | CONNECTOR | | 1 |
| 27 | 582 71 22-01 | SCREW | | 1 |
| 28 | 574 22 39-01 | SCREW | | 1 |
| 29 | 585 81 90-01 | SCREW | | 1 |
| 30 | 582 48 67-01 | COVER | | 1 |

E2 120i HOUSING

HIGHER THAN S/N

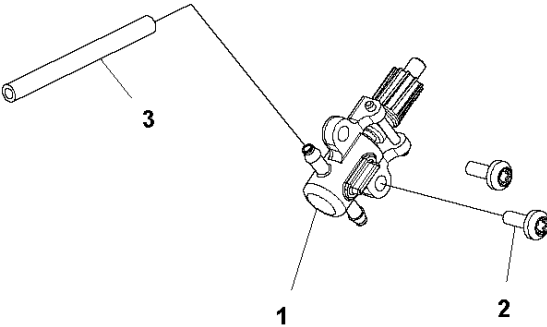


HOUSING

120i, 967098201,967098202,967098203, 967098101,967098102, 2018-02

| Ref | Part No | Description | Remark | QTY KIT |
|-----|--------------|---------------|--------|---------|
| 1 | 587 42 66-01 | SCREW | | 2 |
| 2 | 85602701 | TBD | | 1 |
| 3 | 585 58 13-01 | BRAKE | | 1 |
| 4 | 587 60 01-01 | SPRING | | 1 |
| 5 | 585 81 90-02 | SCREW | | 9 |
| 6 | 588 16 25-02 | HOUSING | | 1 |
| 7 | 585 59 25-01 | SCREW | | 2 |
| 8 | 585 59 02-01 | FRONT HANDLE | | 1 |
| 9 | 585 59 00-01 | BUTTON | | 1 |
| 10 | 585 59 01-01 | SPRING | | 1 |
| 11 | 585 58 98-01 | TRIGGER | | 1 |
| 12 | 585 58 93-01 | LEVER | | 1 |
| 13 | 585 93 19-01 | PIVOT | | 1 |
| 14 | 585 56 68-02 | HOUSING | | 1 |
| 15 | 505 28 85-01 | CHAIN CATCHER | | 1 |
| 16 | 575 30 98-02 | SCREW | | 1 |
| 17 | 585 81 89-01 | SCREW | | 4 |
| 18 | 585 59 23-01 | BRACKET | | 1 |
| 19 | 582 54 15-01 | KEYPAD | | 1 |
| 20 | 585 63 62-01 | SPRING | | 1 |
| 21 | 577 99 66-01 | PUSH BUTTON | | 1 |
| 22 | 585 63 60-01 | PUSH BUTTON | | 1 |
| 23 | 585 63 66-01 | SPRING | | 1 |
| 24 | 585 59 30-01 | BATTERY BOX | | 1 |
| 25 | 577 84 43-01 | DECAL | | 1 |
| 26 | 582 71 22-01 | SCREW | | 1 |
| 27 | 574 22 39-01 | SCREW | | 1 |
| 28 | 585 81 90-01 | SCREW | | 3 |
| 29 | 591 07 38-01 | COVER | | 1 |

C 120i
OIL PUMP

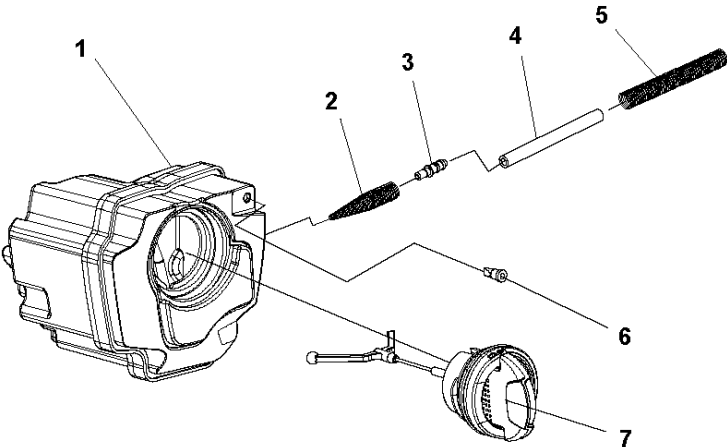


OIL PUMP

120i, 967098201,967098202,967098203, 967098101,967098102, 2018-02

| Ref | Part No | Description | Remark | QTY KIT |
|-----|--------------|---------------|--------|---------|
| 1 | 586 84 65-01 | OIL PUMP ASSY | | 1 |
| 2 | 586 90 29-01 | SCREW | | 2 |
| 3 | 585 56 66-01 | OIL HOSE | | 1 |

A 120i
OIL TANK



OIL TANK

120i, 967098201,967098202,967098203, 967098101,967098102, 2018-02

| Ref | Part No | Description | Remark | QTY KIT |
|-----|--------------|---------------|--------|---------|
| 1 | 582 73 46-01 | TANK ASSY | | 1 |
| 2 | 582 14 86-01 | SPRING | | 1 |
| 3 | 574 80 09-01 | TUBE | | 1 |
| 4 | 585 56 66-01 | OIL HOSE | | 1 |
| 5 | 581 99 01-01 | SPRING PIN | | 1 |
| 6 | 575 48 45-01 | VALVE NIPPLE | | 1 |
| 7 | 522 62 00-03 | TANK CAP ASSY | | 1 |