

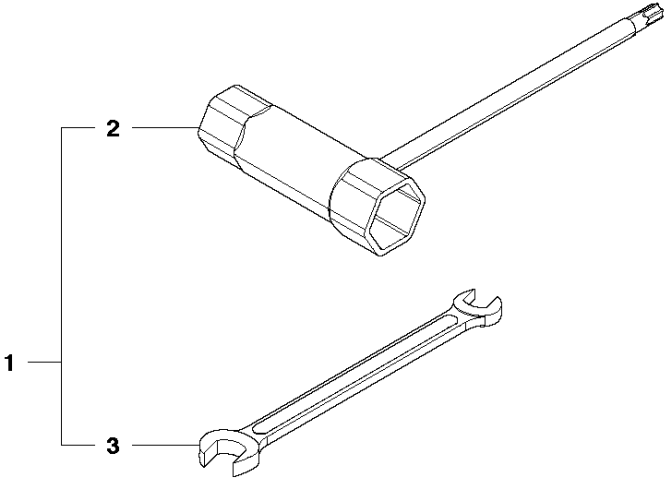


SPARE PARTS LIST

HEDGE TRIMMERS/POLE HEDGE
TRIMMERS

226HD75S, 967279901, 967279902,
2018-02

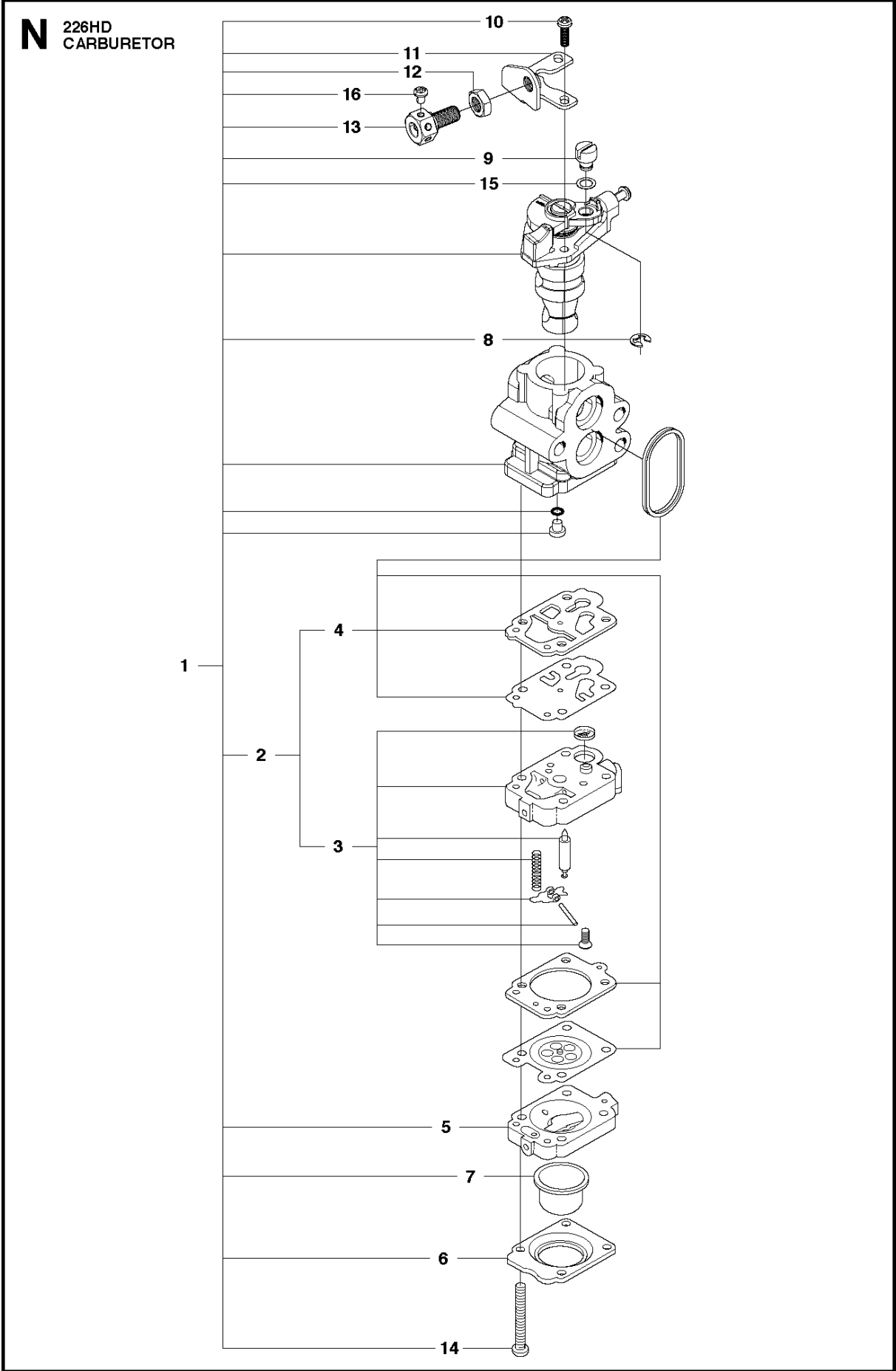
P 226HD
ACCESSORIES



ACCESSORIES

226HD75S, 967279901, 967279902, 2018-02

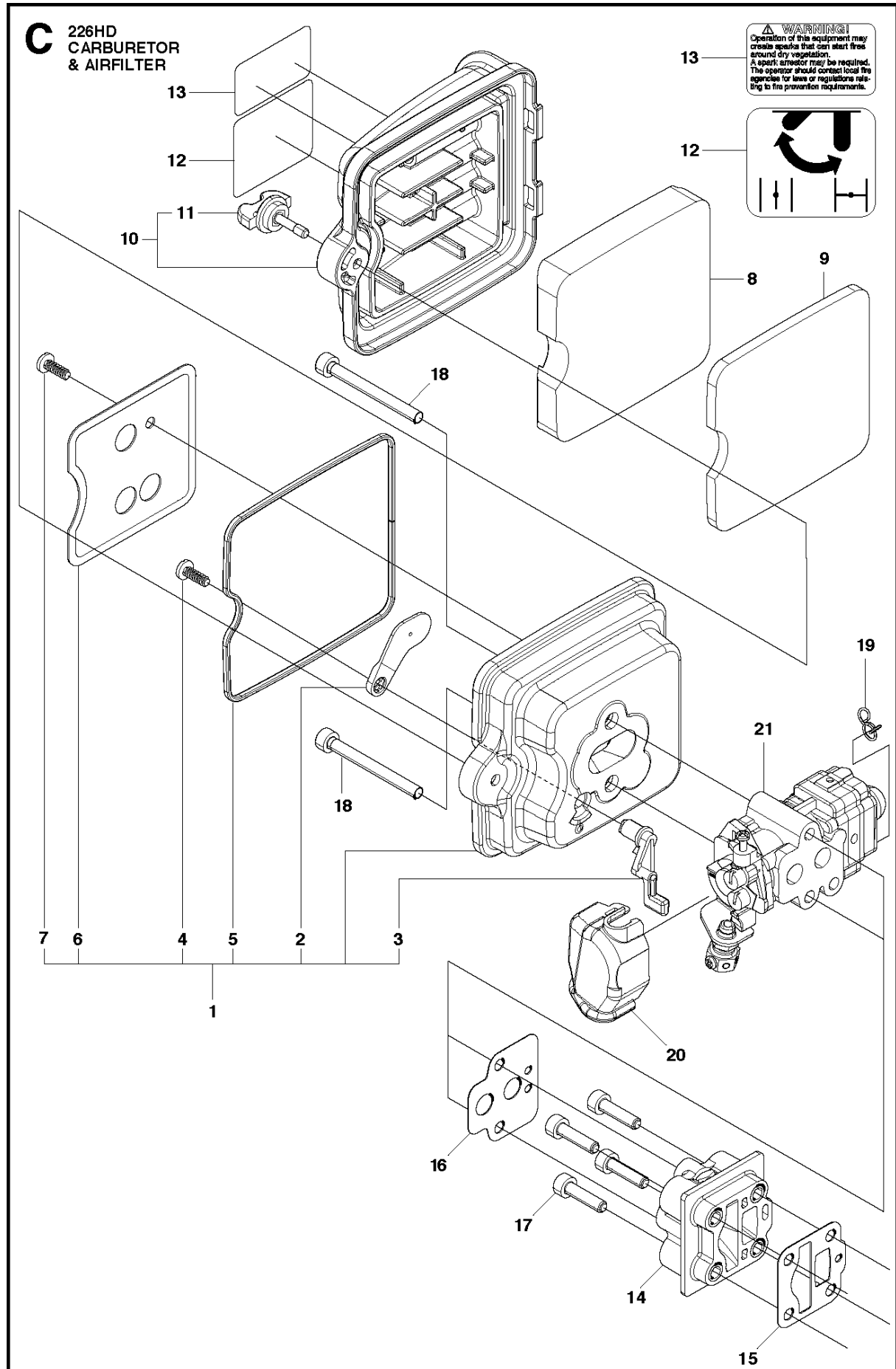
| Ref | Part No | Description | Remark | QTY | KIT |
|-----|--------------|--------------------|--------|-----|-----|
| 1 | 521 83 99-01 | TOOL-SET | | 1 | |
| 2 | 506 68 61-01 | COMBINATION WRENCH | | 1 | 1 |
| 3 | 506 61 50-01 | SPANNER | | 1 | 1 |



CARBURETOR

226HD75S, 967279901, 967279902, 2018-02

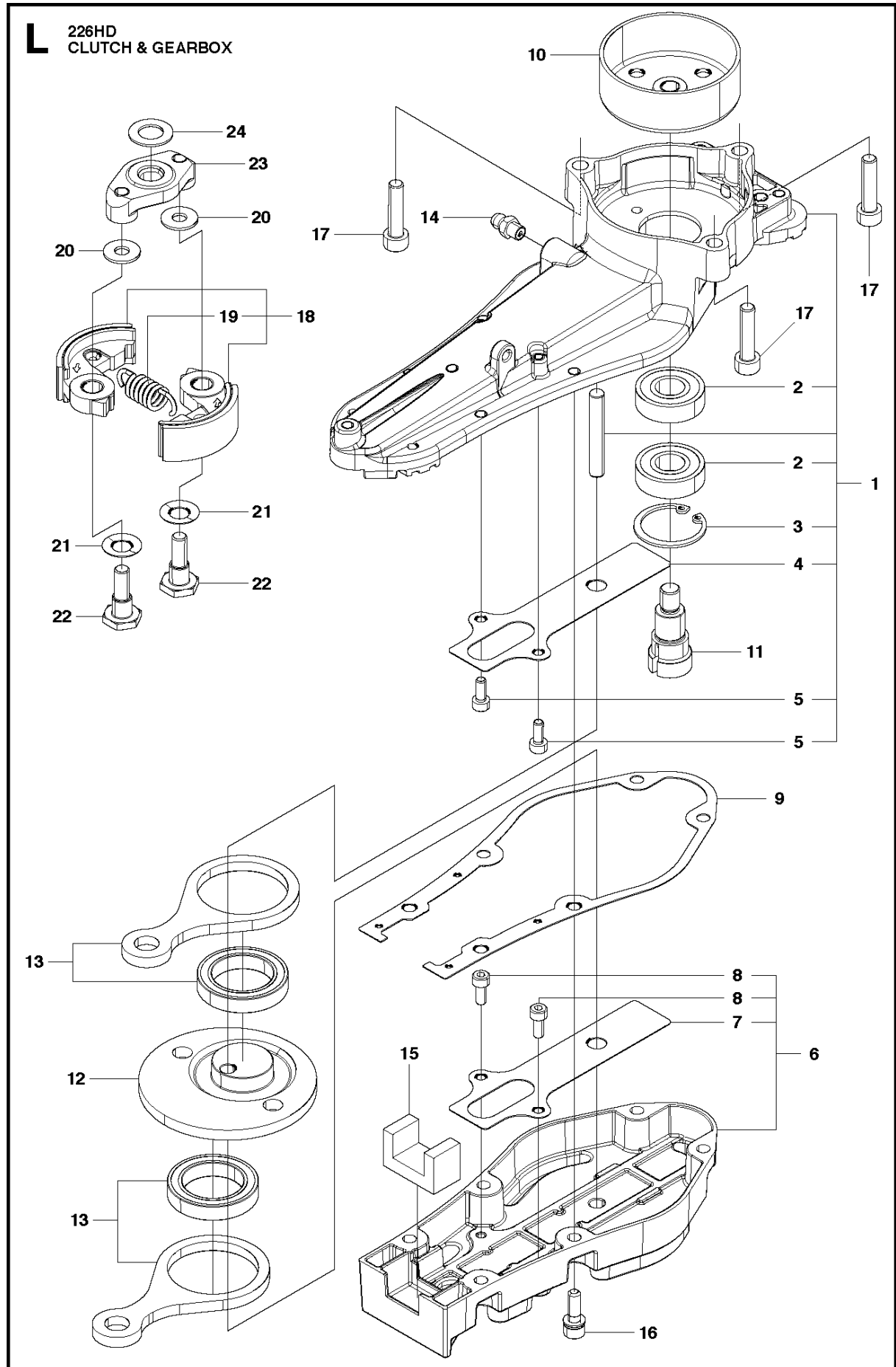
| Ref | Part No | Description | Remark | QTY | KIT |
|-----|--------------|------------------|--------|-----|------|
| 1 | 591 10 26-01 | CARBURETTOR | | 1 | |
| 2 | 528 07 01-01 | GASKET KIT | | 1 | 1 |
| 3 | 502 23 84-01 | CARBURETTOR BODY | | 1 | 1, 2 |
| 4 | 515 37 87-01 | GASKET KIT | | 1 | 1, 2 |
| 5 | 506 74 09-01 | BODY | | 1 | 1 |
| 6 | 506 74 10-01 | COVER | | 1 | 1 |
| 7 | 505 30 67-01 | PUMP | | 1 | 1 |
| 8 | 506 73 86-01 | RING | | 1 | 1 |
| 9 | 506 74 12-01 | SWIVEL | | 1 | 1 |
| 10 | 505 30 79-01 | SCREW | | 2 | 1 |
| 11 | 506 74 60-01 | BRACKET | | 1 | 1 |
| 12 | 506 61 26-01 | NUT | | 1 | 1 |
| 13 | 505 30 82-01 | SCREW-CABLE-ADJ | | 1 | 1 |
| 14 | 506 74 11-01 | SCREW | | 4 | 1 |
| 15 | 506 74 61-01 | WASHER | | 1 | 1 |
| 16 | 505 30 83-01 | SCREW | | 1 | 1 |



CARBURETOR & AIR FILTER

226HD75S, 967279901, 967279902, 2018-02

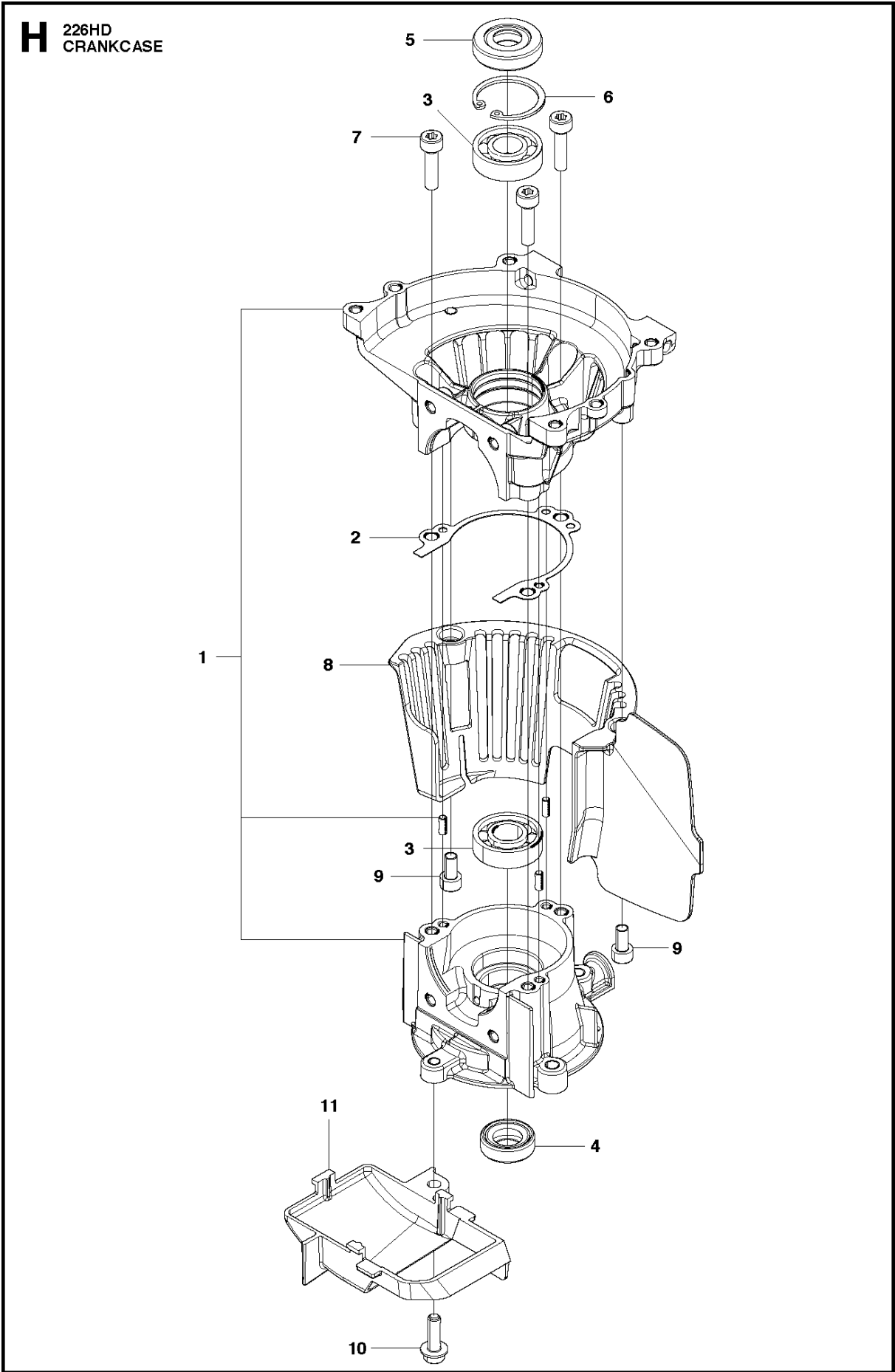
| Ref | Part No | Description | Remark | QTY | KIT |
|-----|--------------|-------------|---------|-----|-----|
| 1 | 511 35 92-01 | BODY | | 1 | |
| 2 | 506 68 43-01 | PLATE.CHOKE | | 1 | 1 |
| 3 | 521 76 05-01 | LEVER CHOKE | | 1 | 1 |
| 4 | 581 73 62-01 | SCREW | | 1 | 1 |
| 5 | 521 75 13-01 | PACKING | | 1 | 1 |
| 6 | 521 60 79-01 | SCREEN | | 1 | 1 |
| 7 | 581 73 62-01 | SCREW | | 1 | 1 |
| 8 | 523 09 00-01 | FILTER | | 1 | |
| 9 | 523 07 11-01 | FILTER | | 1 | |
| 10 | 523 07 12-01 | COVER | | 1 | |
| 11 | 523 07 13-01 | KNOB | | 1 | 10 |
| 12 | 574 29 97-01 | LABEL | | 1 | |
| 13 | 523 07 14-01 | LABEL | US only | 1 | |
| 14 | 511 34 97-01 | INSULATOR | | 1 | |
| 15 | 593 13 60-01 | GASKET | | 1 | |
| 16 | 521 75 50-01 | GASKET | | 1 | |
| 17 | 506 68 90-01 | BOLT | | 4 | |
| 18 | 504 11 65-01 | SCREW | | 2 | |
| 19 | 506 74 15-01 | CLIP | | 1 | |
| 20 | 506 74 42-01 | COVER | | 1 | |
| 21 | 591 10 26-01 | CARBURETTOR | | 1 | |



CLUTCH & OIL PUMP

226HD75S, 967279901, 967279902, 2018-02

| Ref | Part No | Description | Remark | QTY | KIT |
|-----|--------------|-------------|--------|-----|-----|
| 1 | 586 93 71-01 | GEAR CASE | | 1 | |
| 2 | 529 26 98-01 | BEARING | | 2 | 1 |
| 3 | 506 60 99-01 | RING | | 1 | 1 |
| 4 | 506 62 69-01 | PLATE | | 1 | 1 |
| 5 | 506 68 88-01 | BOLT | | 2 | 1 |
| 6 | 586 93 72-01 | GEAR CASE | | 1 | |
| 7 | 506 62 69-01 | PLATE | | 1 | 6 |
| 8 | 506 68 88-01 | BOLT | | 2 | 6 |
| 9 | 506 68 83-01 | GASKET | | 1 | |
| 10 | 506 61 95-01 | DRUM | | 1 | |
| 11 | 506 62 72-01 | GEAR | | 1 | |
| 12 | 506 68 87-01 | GEAR | | 1 | |
| 13 | 586 93 75-01 | ROD | | 2 | |
| 14 | 505 17 15-01 | FITTING | | 1 | |
| 15 | 506 68 89-01 | FELT | | 1 | |
| 16 | 575 70 10-01 | SCREW | | 6 | |
| 17 | 521 51 75-01 | BOLT | | 3 | |
| 18 | 506 62 94-01 | CLUTCH | | 1 | |
| 19 | 506 68 58-01 | SPRING | | 1 | 18 |
| 20 | 505 05 44-01 | WASHER | | 2 | |
| 21 | 506 61 38-01 | WASHER | | 2 | |
| 22 | 513 18 96-01 | SCREW | | 2 | |
| 23 | 506 65 21-01 | PLATE | | 1 | |
| 24 | 506 61 42-01 | WASHER | | 1 | |

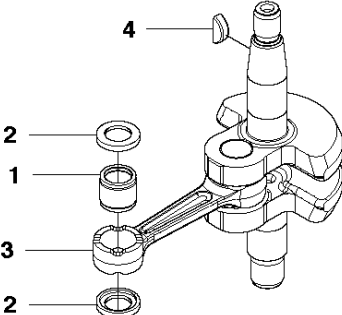


CRANKCASE

226HD75S, 967279901, 967279902, 2018-02

| Ref | Part No | Description | Remark | QTY KIT |
|-----|--------------|-------------|--------|---------|
| 1 | 506 63 84-01 | CRANKCASE | | 1 |
| 2 | 506 68 48-01 | GASKET | | 1 |
| 3 | 506 61 03-01 | BEARING | | 2 |
| 4 | 504 12 15-01 | SEALING | | 1 |
| 5 | 506 61 29-01 | SEAL | | 1 |
| 6 | 506 60 99-01 | RING | | 1 |
| 7 | 504 11 43-01 | SCREW | | 3 |
| 8 | 506 62 96-01 | PLATE | | 1 |
| 9 | 504 11 96-01 | SCREW | | 2 |
| 10 | 506 74 56-01 | BOLT | | 1 |
| 11 | 506 65 71-01 | DEFLECTOR | | 1 |

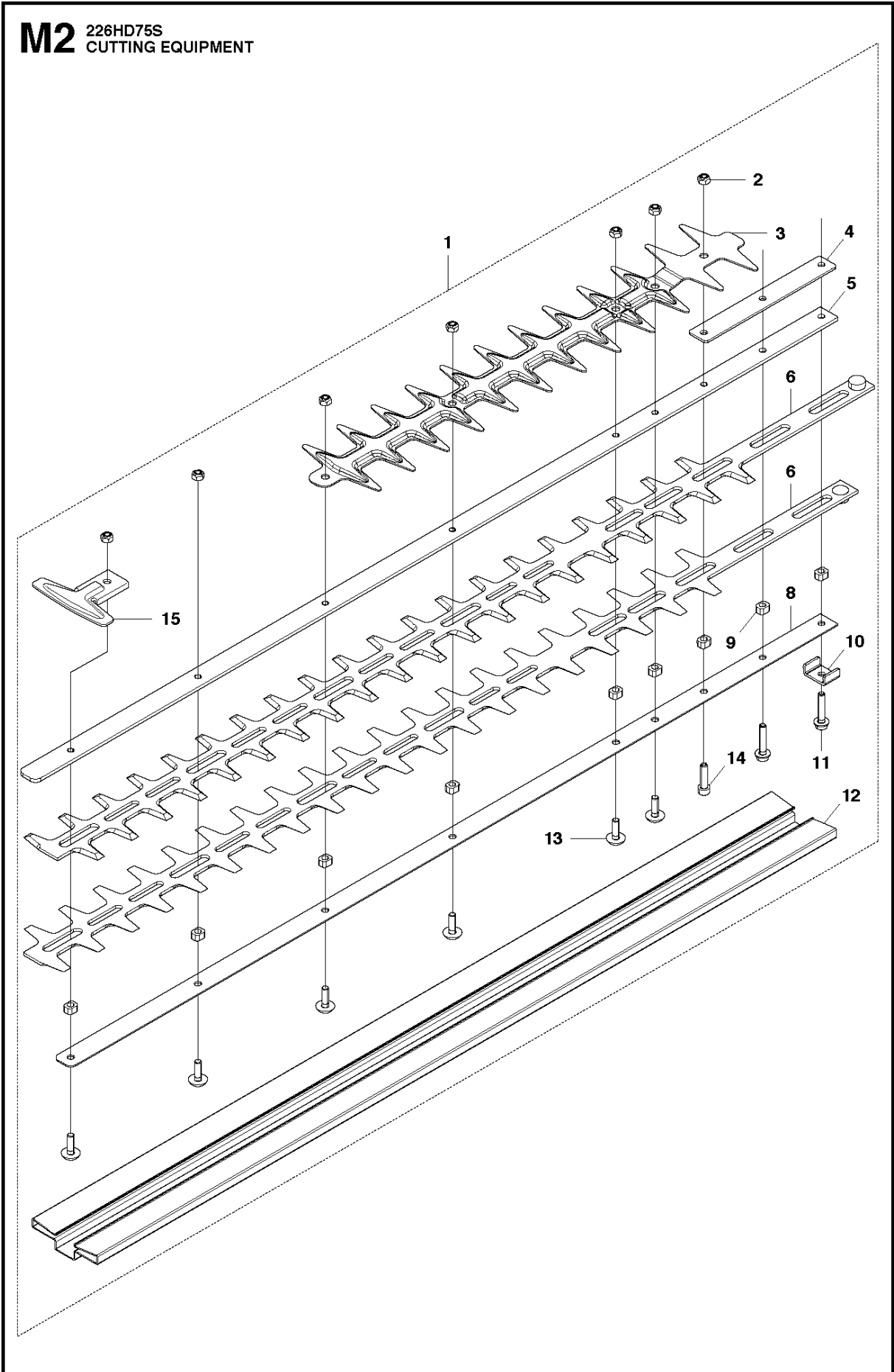
J 226HD
CRANK SHAFT



CRANKSHAFT

226HD75S, 967279901, 967279902, 2018-02

| Ref | Part No | Description | Remark | QTY KIT |
|-----|--------------|-------------|--------|---------|
| 1 | 506 68 50-01 | BEARING | | 1 |
| 2 | 505 04 10-01 | WASHER | | 2 |
| 3 | 506 65 18-01 | CRANKSHAFT | | 1 |
| 4 | 506 68 94-01 | KEY | | 1 |

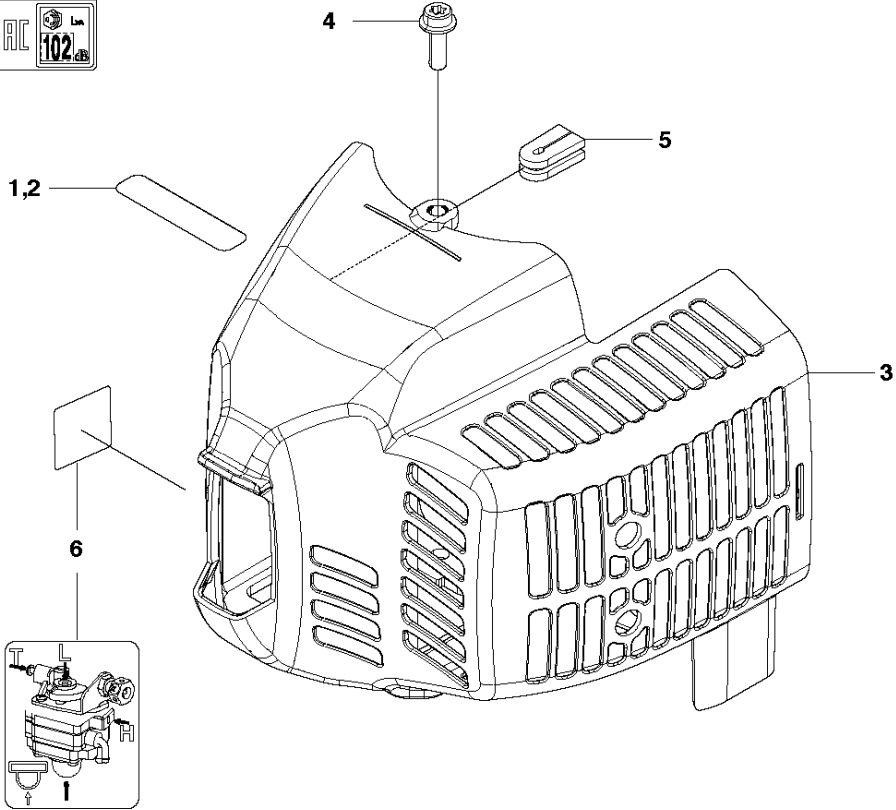
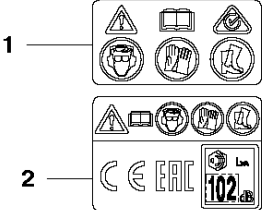


CUTTING EQUIPMENT

226HD75S, 967279901, 967279902, 2018-02

| Ref | Part No | Description | Remark | QTY KIT | |
|-----|--------------|-------------|----------|---------|---|
| 1 | 586 52 68-02 | BLADE | 226HD75S | 1 | |
| 2 | 506 68 78-01 | NUT | | 7 | 1 |
| 3 | 521 59 47-01 | BLADE GUARD | | 1 | 1 |
| 4 | 506 68 82-01 | PLATE | | 1 | 1 |
| 5 | 521 59 42-01 | PLATE | | 1 | 1 |
| 6 | 586 59 48-01 | BLADE | | 2 | 1 |
| 8 | 506 68 80-01 | PLATE.LOWER | | 1 | 1 |
| 9 | 506 68 76-01 | SPACER | | 9 | 1 |
| 10 | 506 62 74-01 | BRACKET | | 1 | 1 |
| 11 | 574 61 01-01 | BOLT | | 2 | 1 |
| 12 | 577 64 44-04 | BLADE COVER | | 1 | 1 |
| 13 | 574 61 00-01 | BOLT | | 6 | 1 |
| 14 | 504 11 43-01 | SCREW | | 1 | 1 |
| 15 | 577 54 18-01 | COVER | | 1 | 1 |

B 226HD
CYLINDER COVER

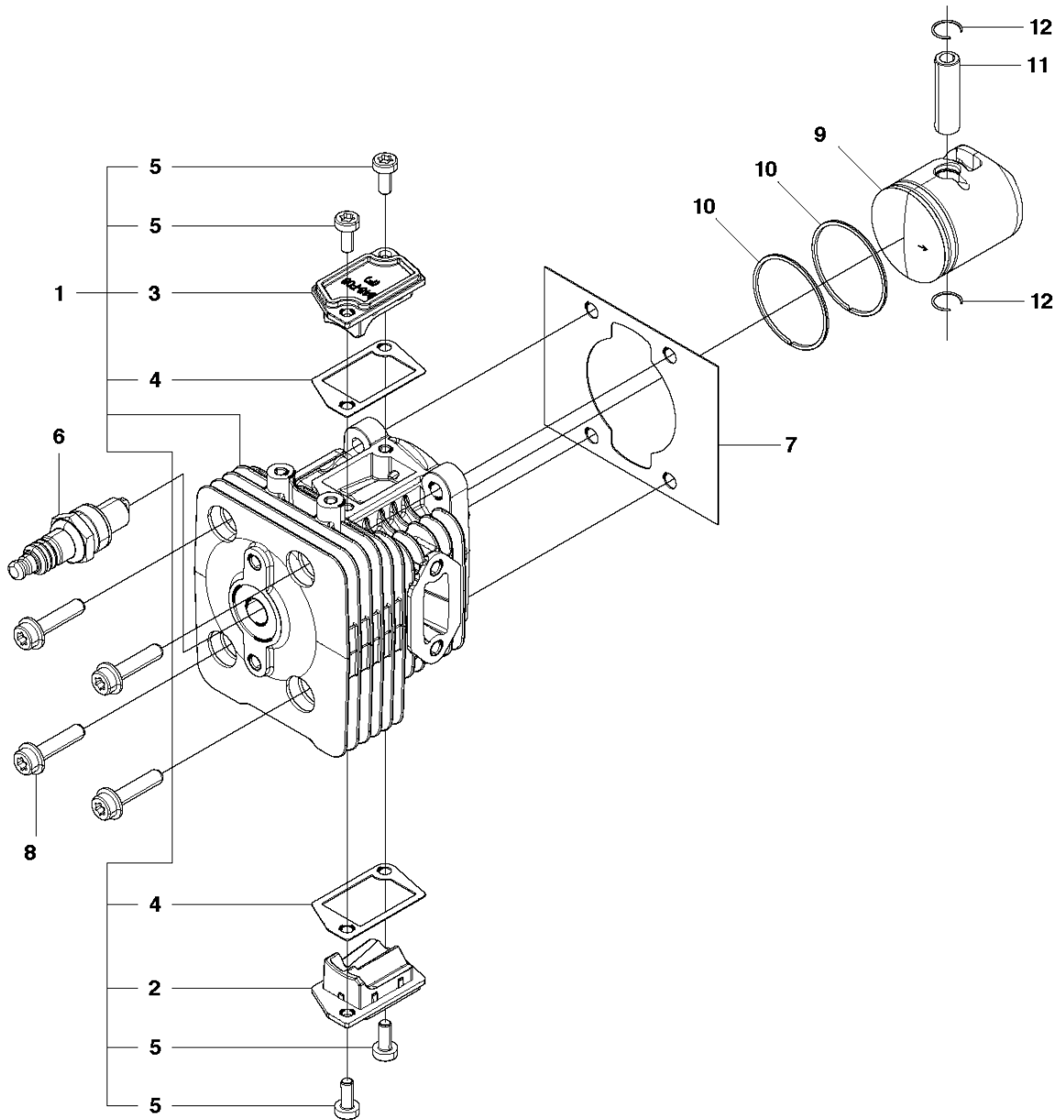


CYLINDER COVER

226HD75S, 967279901, 967279902, 2018-02

| Ref | Part No | Description | Remark | QTY KIT |
|-----|--------------|-------------|---------|---------|
| 1 | 587 48 26-01 | DECAL | US only | 1 |
| 2 | 587 43 88-01 | DECAL | EU only | 1 |
| 3 | 506 65 70-01 | COVER | | 1 |
| 4 | 506 74 56-01 | BOLT | | 1 |
| 5 | 506 61 59-01 | GROMMET | | 1 |
| 6 | 587 02 78-01 | DECAL | | 1 |

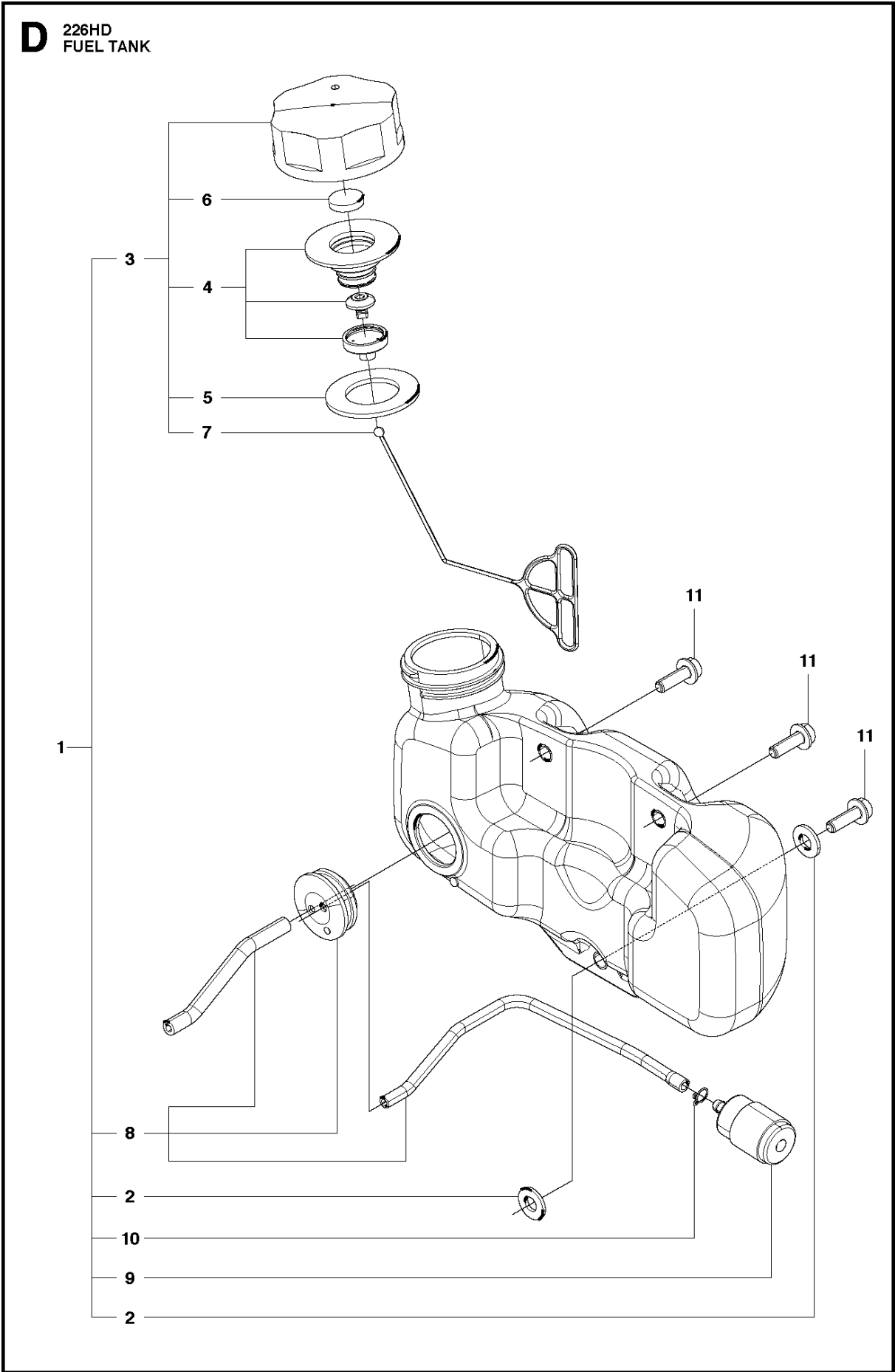
G 226HD
CYLINDER & PISTON



CYLINDER, PISTON & MUFFLER

226HD75S, 967279901, 967279902, 2018-02

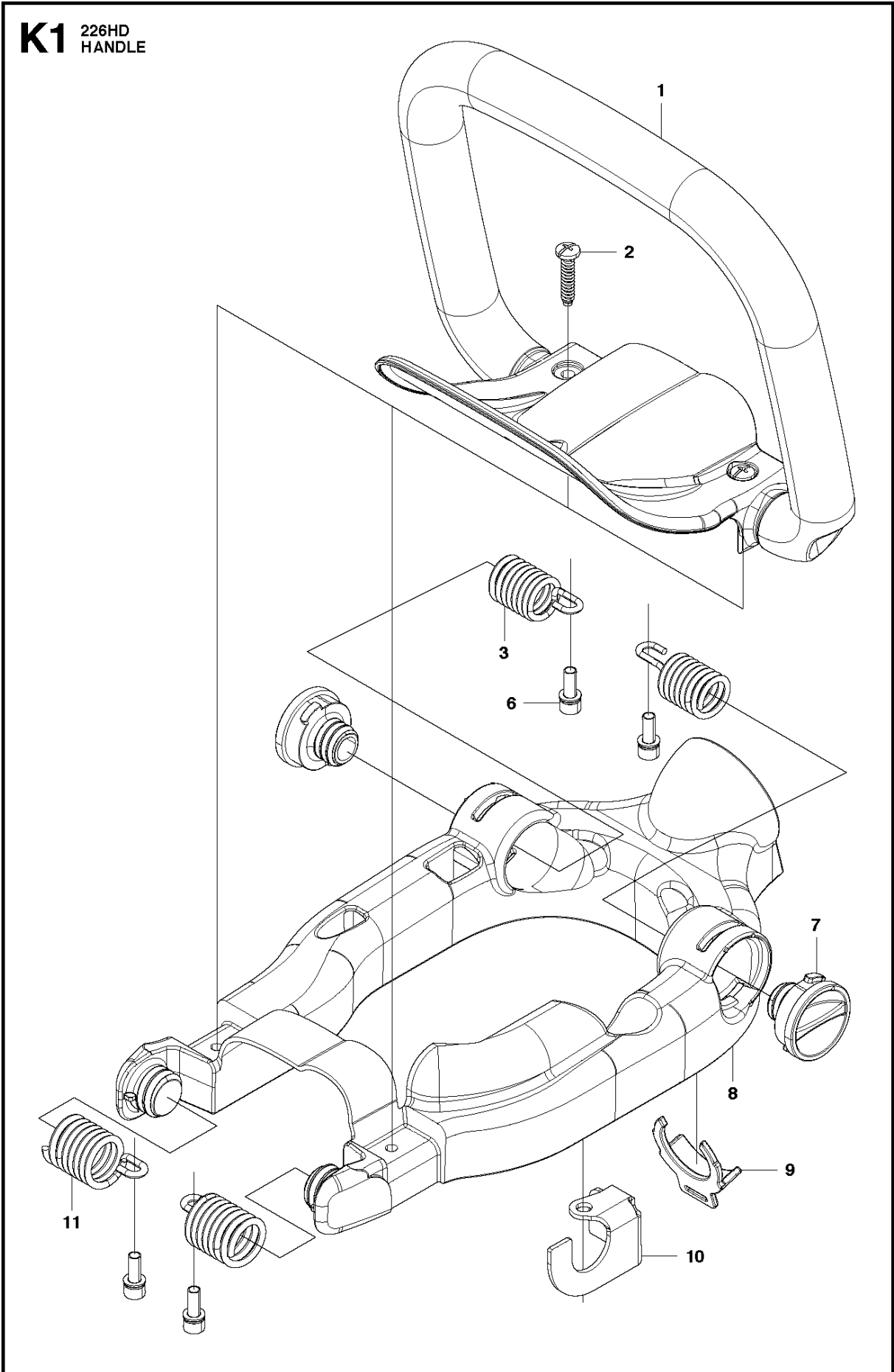
| Ref | Part No | Description | Remark | QTY KIT | |
|-----|--------------|-------------|--------|---------|---|
| 1 | 528 05 21-01 | CYLINDER | | 1 | |
| 2 | 506 65 41-02 | COVER | | 1 | 1 |
| 3 | 506 65 42-02 | COVER | | 1 | 1 |
| 4 | 593 13 58-01 | GASKET | | 2 | 1 |
| 5 | 504 11 92-01 | SCREW | | 4 | 1 |
| 6 | 528 07 40-01 | SPARK PLUG | | 1 | |
| 7 | 506 62 97-01 | GASKET | | 1 | |
| 8 | 506 74 52-01 | BOLT | | 4 | |
| 9 | 528 05 23-01 | PISTON | | 1 | |
| 10 | 506 61 81-01 | RING | | 2 | |
| 11 | 505 04 07-01 | PIN | | 1 | |
| 12 | 505 04 52-01 | RING | | 2 | |



FUEL TANK

226HD75S, 967279901, 967279902, 2018-02

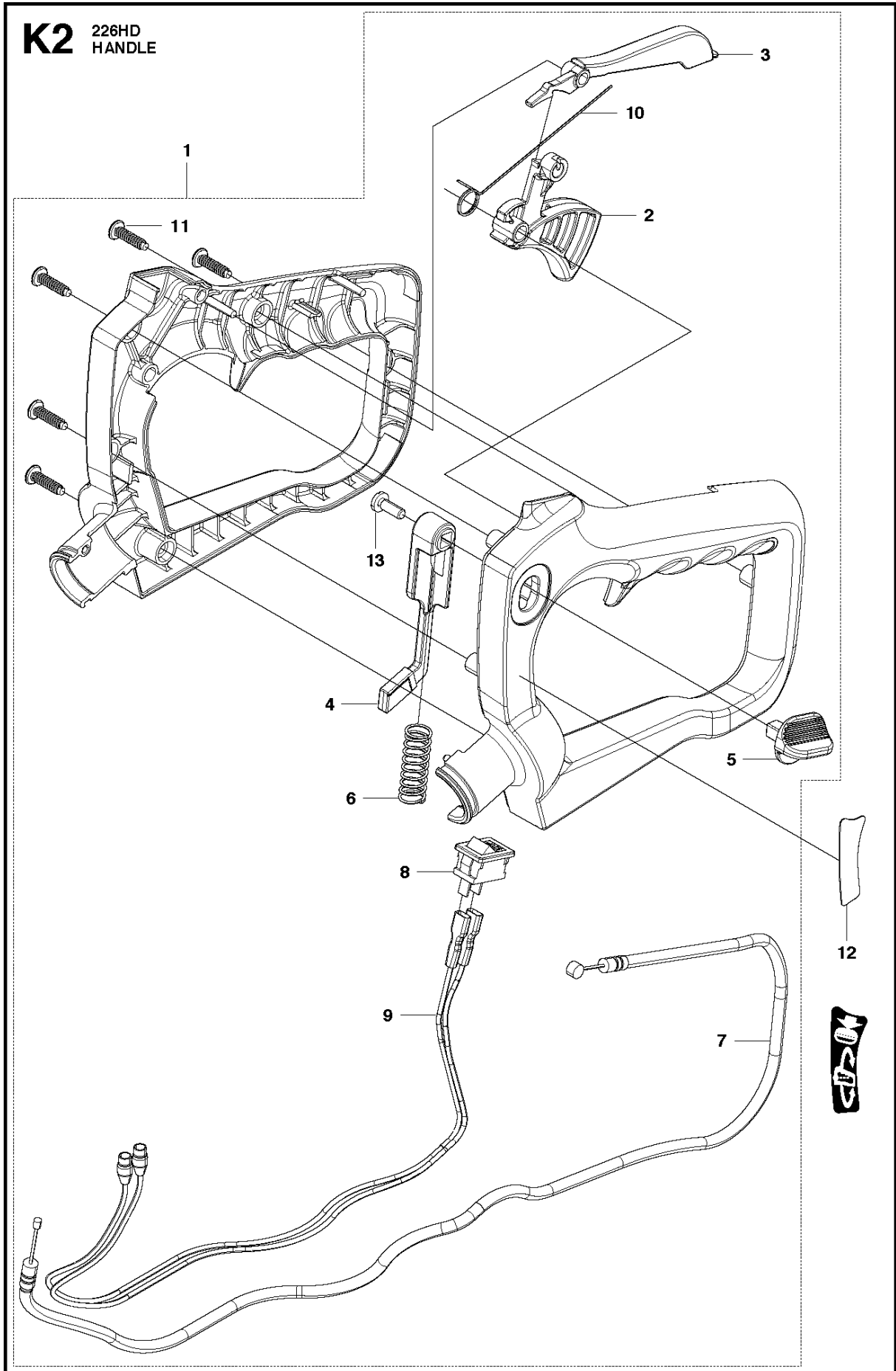
| Ref | Part No | Description | Remark | QTY KIT | |
|-----|--------------|----------------|---------|---------|------|
| 1 | 525 24 60-01 | TANK ASSY | EU only | 1 | |
| 1 | 579 21 09-01 | FUEL TANK ASSY | US ONLY | 1 | |
| 2 | 506 68 41-01 | PACKING | | 2 | 1 |
| 3 | 505 30 96-01 | CAP | | 1 | 1 |
| 4 | 515 36 94-01 | HOLDER | | 1 | 1, 3 |
| 5 | 506 74 43-01 | PACKING | | 1 | 1, 3 |
| 6 | 506 74 68-01 | FILTER | | 1 | 1, 3 |
| 7 | 506 74 58-01 | STOPPER | | 1 | 1, 3 |
| 8 | 506 65 31-01 | HOSE | EU only | 1 | 1 |
| 8 | 579 13 83-08 | HOSE ASSY | US ONLY | 1 | |
| 9 | 506 61 46-01 | FILTER | | 1 | 1 |
| 10 | 506 70 70-01 | CLIP | | 1 | 1 |
| 11 | 506 74 56-01 | BOLT | | 3 | |



HANDLE

226HD75S, 967279901, 967279902, 2018-02

| Ref | Part No | Description | Remark | QTY KIT |
|-----|--------------|-------------|--------|---------|
| 1 | 523 07 21-01 | HANDLE | | 1 |
| 2 | 513 58 61-01 | SCREW | | 2 |
| 3 | 521 59 39-01 | SPRING | | 2 |
| 6 | 521 51 61-01 | BOLT | | 4 |
| 7 | 521 85 12-01 | HOLDER | | 2 |
| 8 | 523 07 22-01 | FRAME | | 1 |
| 9 | 521 85 09-01 | STOPPER | | 1 |
| 10 | 576 69 53-01 | BRACKET | | 1 |
| 11 | 521 59 38-01 | SPRING | | 2 |

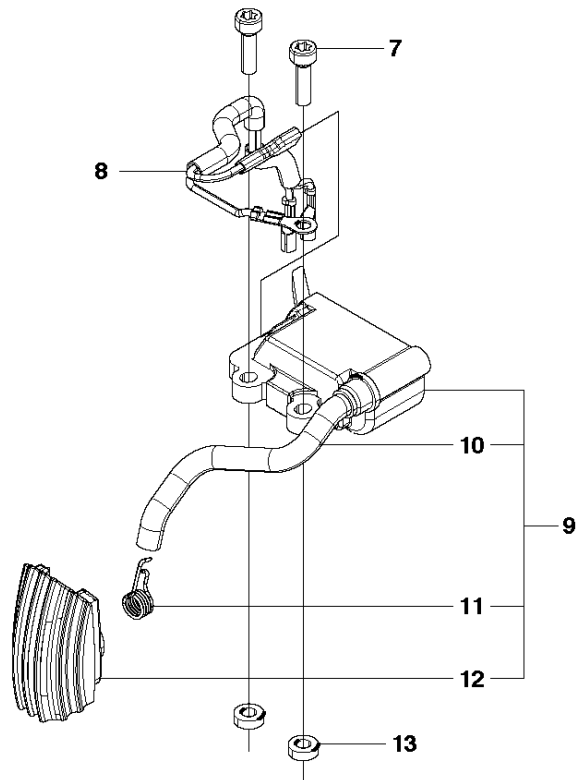
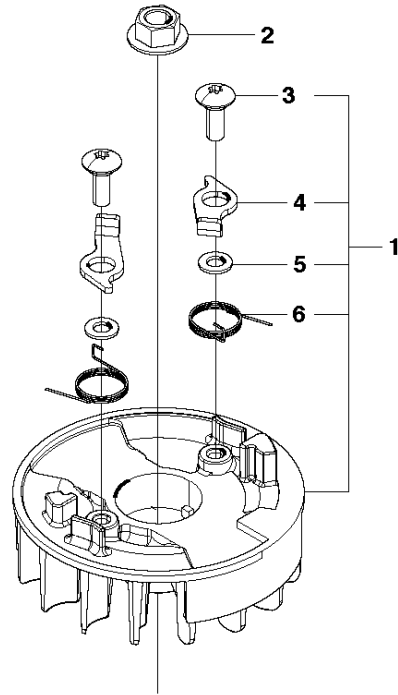


HANDLE

226HD75S, 967279901, 967279902, 2018-02

| Ref | Part No | Description | Remark | QTY | KIT |
|-----|--------------|-------------|--------|-----|-----|
| 1 | 523 07 23-01 | HANDLE | | 1 | |
| 2 | 523 07 24-01 | LEVER | | 1 | 1 |
| 3 | 523 07 25-01 | ARM | | 1 | 1 |
| 4 | 521 85 06-01 | LEVER | | 1 | 1 |
| 5 | 523 07 27-01 | KNOB | | 1 | 1 |
| 6 | 521 85 08-01 | SPRING | | 1 | 1 |
| 7 | 521 52 71-01 | CABLE | | 1 | 1 |
| 8 | 521 85 16-01 | SWITCH | | 1 | 1 |
| 9 | 512 79 80-01 | CODE-C | | 1 | 1 |
| 10 | 581 21 61-01 | SPRING | | 1 | 1 |
| 11 | 505 04 70-01 | SCREW | | 5 | 1 |
| 12 | 521 85 57-01 | LABEL | | 1 | |
| 13 | 506 61 40-01 | SCREW | | 1 | 1 |

E 226HD
IGNITION SYSTEM

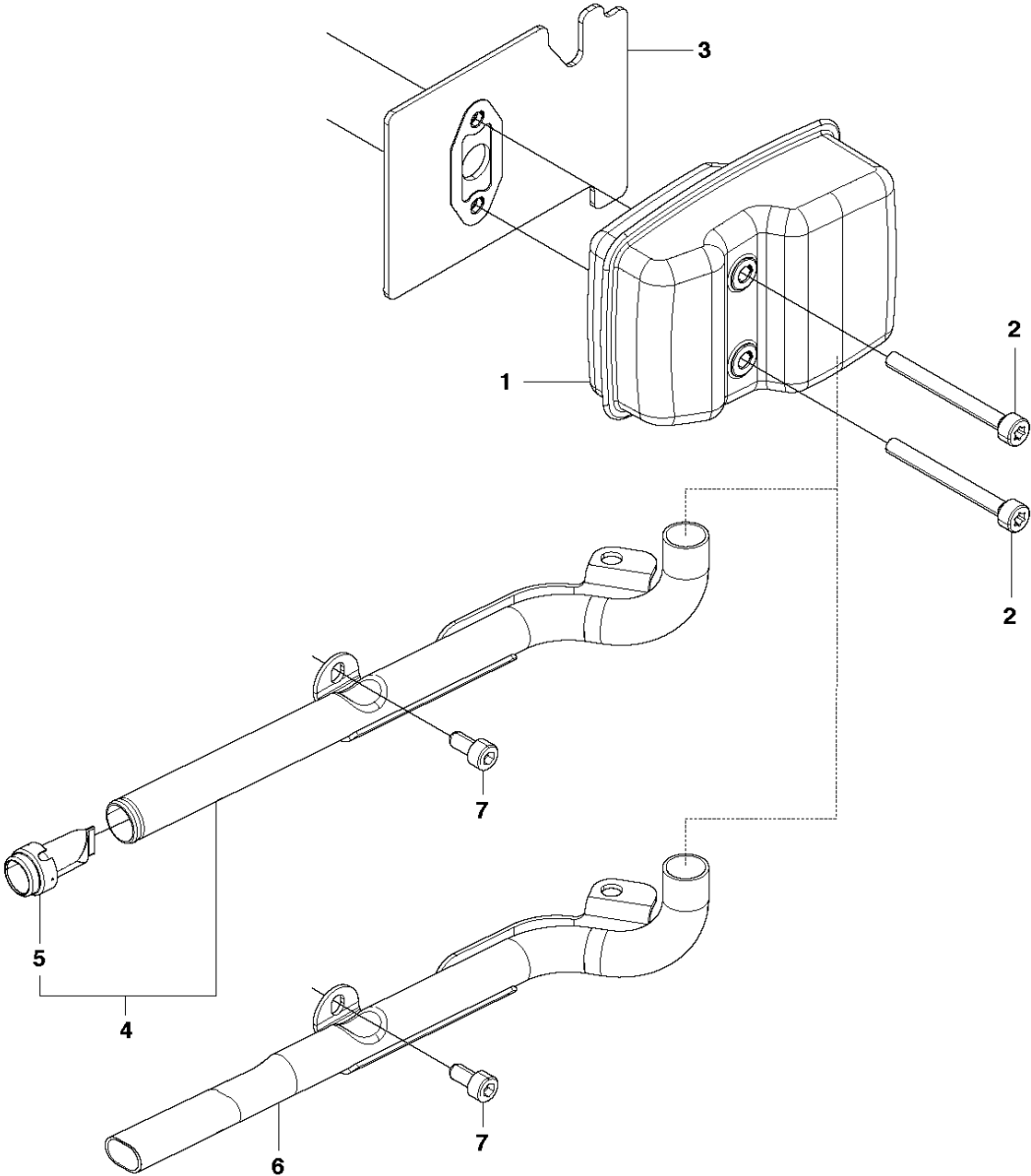


IGNITION SYSTEM

226HD75S, 967279901, 967279902, 2018-02

| Ref | Part No | Description | Remark | QTY | KIT |
|-----|--------------|---------------|--------|-----|-----|
| 1 | 506 65 60-01 | ROTOR-A | | 1 | |
| 2 | 504 11 80-01 | NUT | | 1 | |
| 3 | 506 61 43-01 | SCREW | | 2 | 1 |
| 4 | 506 61 41-01 | PAWL | | 2 | 1 |
| 5 | 506 61 44-01 | WASHER | | 2 | 1 |
| 6 | 521 74 71-01 | SPRING | | 2 | 1 |
| 7 | 506 74 57-01 | BOLT | | 2 | |
| 8 | 506 65 23-01 | CORD | | 1 | |
| 9 | 589 37 24-01 | IGNITION COIL | | 1 | |
| 10 | 511 35 12-01 | CORD | | 1 | 9 |
| 11 | 506 65 52-01 | SPRING | | 1 | 9 |
| 12 | 521 61 00-01 | HUB CAP | | 1 | 9 |
| 13 | 504 11 86-01 | SPACER | | 2 | |

F 226HD
MUFFLER

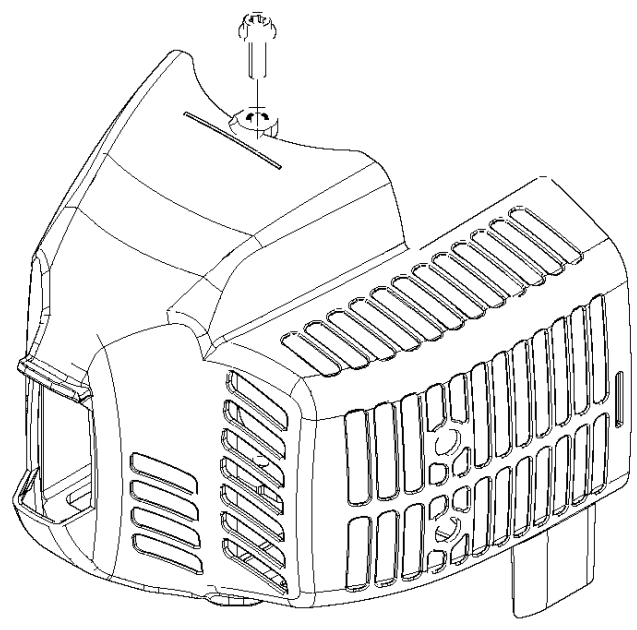
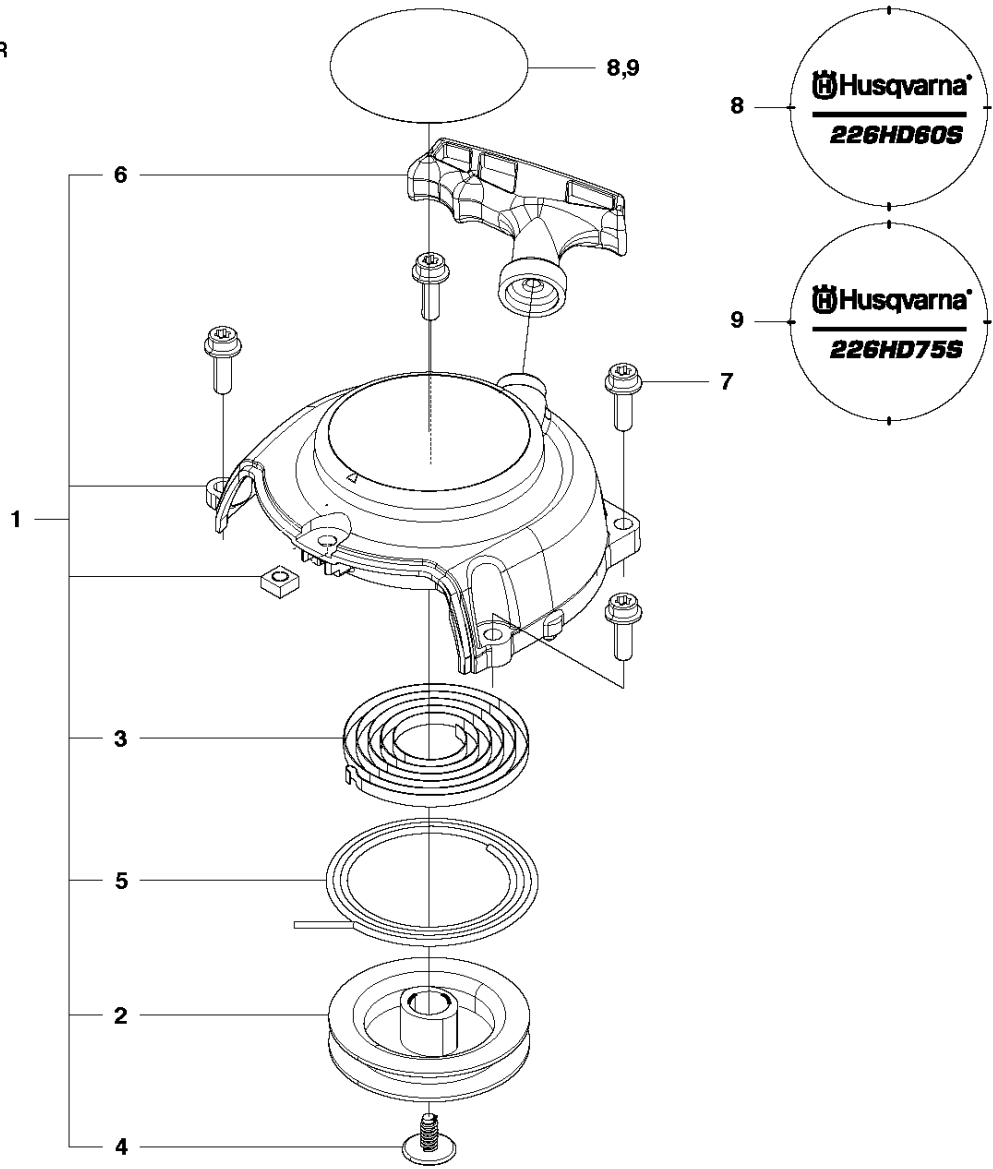


MUFFLER

226HD75S, 967279901, 967279902, 2018-02

| Ref | Part No | Description | Remark | QTY | KIT |
|-----|--------------|--------------|---------|-----|-----|
| 1 | 523 07 16-01 | MUFFLER | | 1 | |
| 2 | 504 11 65-01 | SCREW | | 2 | |
| 3 | 506 65 56-01 | GASKET | | 1 | |
| 4 | 523 07 20-01 | EXHAUST PIPE | US only | 1 | |
| 5 | 506 61 56-01 | ARRESTER | US ONLY | 1 | 4 |
| 6 | 521 59 06-01 | PIPE | EU only | 1 | |
| 7 | 504 11 96-01 | SCREW | | 1 | |

A 226HD
STARTER



STARTER

226HD75S, 967279901, 967279902, 2018-02

| Ref | Part No | Description | Remark | QTY | KIT |
|-----|--------------|--------------|----------|-----|-----|
| 1 | 506 65 72-01 | STARTER ASSY | | 1 | |
| 2 | 506 68 42-01 | REEL | | 1 | 1 |
| 3 | 506 67 43-01 | SPRING | | 1 | 1 |
| 4 | 506 61 30-01 | SCREW | | 1 | 1 |
| 5 | 506 68 34-01 | ROPE | | 1 | 1 |
| 6 | 506 61 47-01 | KNOB | | 1 | 1 |
| 7 | 506 74 56-01 | BOLT | | 4 | |
| 9 | 528 05 17-01 | LABEL,RECOIL | 226HD75S | 1 | |