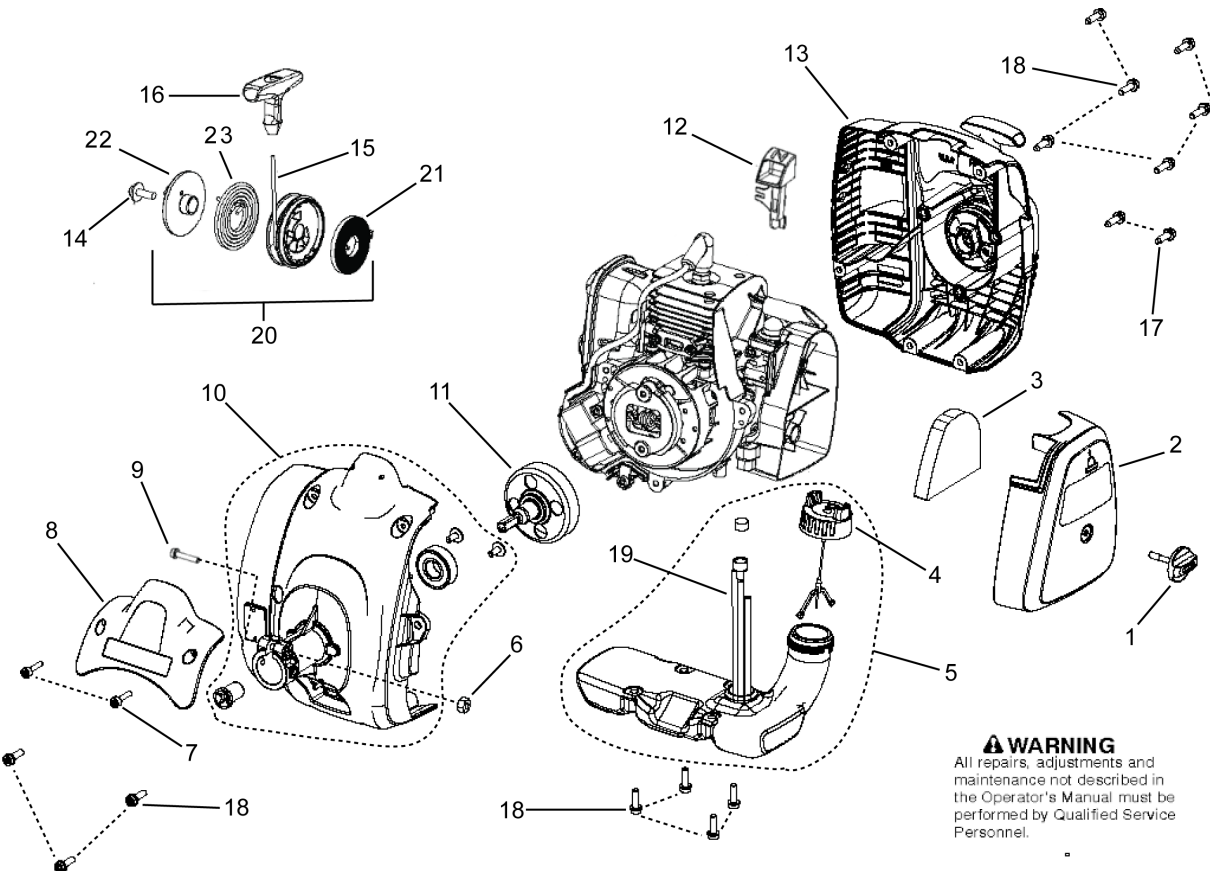




SPARE PARTS LIST

TRIMMERS/EDGERS

325 L, 967908301, 2018-11

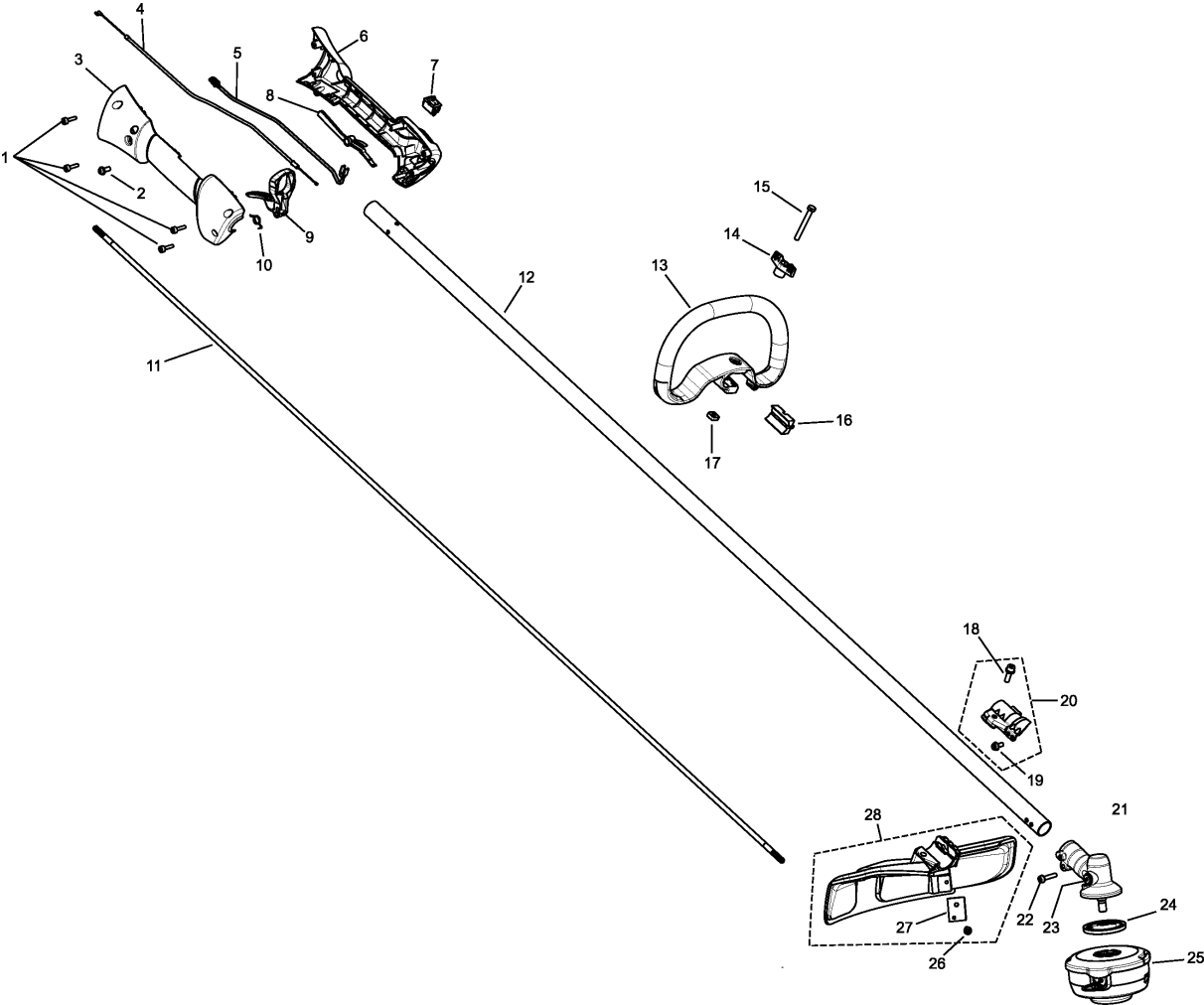


⚠ WARNING
All repairs, adjustments and maintenance not described in the Operator's Manual must be performed by Qualified Service Personnel.

HOUSING

325 L, 967908301, 2018-11

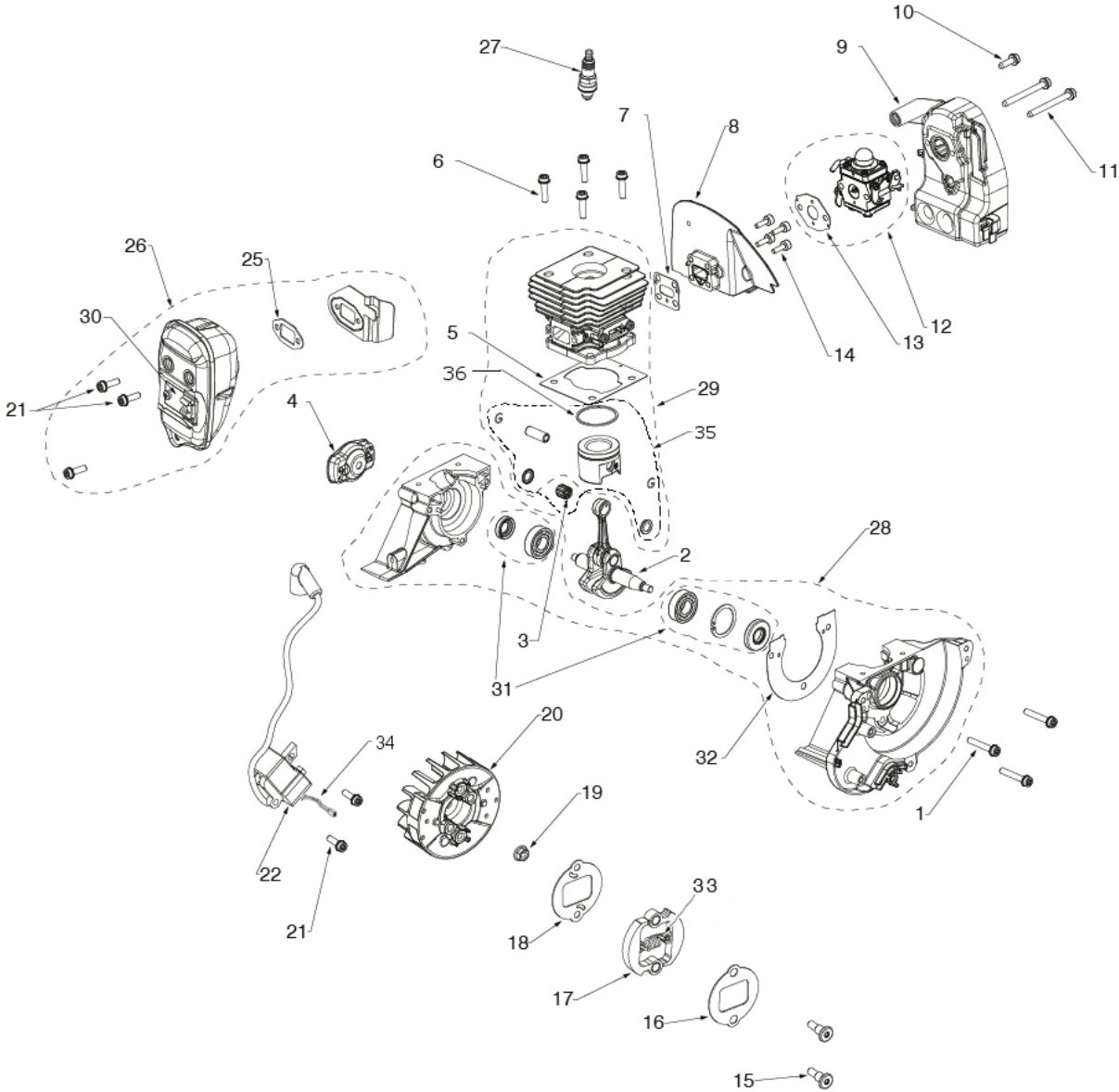
Ref	Part No	Description	Remark	QTY	KIT
1	537 21 32-09	KNOB		1	
2	524 85 38-01	FILTER COVER		1	
3	574 24 27-01	AIR FILTER		1	
4	574 16 23-04	TANK CAP ASSY		1	
5	545 00 80-94	FUEL TANK KIT		1	4, 19, fuel filter
6	731 23 14-01	HEXAGON NUT		1	
7	574 44 40-01	SCREW ITXSCT		1	
8	585 64 49-01	GUARD		1	
9	525 75 51-04	SCREW ITXSCFM		1	
10	584 99 38-01	CLUTCH COVER ASSY		1	
11	578 42 66-01	CLUTCH DRUM ASSY	CLUTCH DRUM	1	
12	524 85 37-01	CHOKE BUTTON		1	
13	580 29 40-01	STARTER ASSY		1	
14	545 11 28-01	SCREW		1	
15	545 00 80-79	KIT-ROPE		1	
16	575 48 95-01	STARTER HANDLE		1	
17	573 92 58-01	SCREW ITXSCT		1	
18	525 75 51-01	SCREW ITXSCFM		1	
19	545 00 80-96	FUEL LINE KIT		1	
20	585 53 03-01	STARTER PULLEY KIT		1	15,16,21
21	545 00 80-87	SPRING		1	
22	579 36 62-01	PULLEY		1	
23	578 46 51-01	SPRING		1	
-	574 60 39-01	FUEL FILTER		1	



SHAFT & HANDLE

325 L, 967908301, 2018-11

Ref	Part No	Description	Remark	QTY KIT
1	574 44 40-01	SCREW ITXSCT	SCREW ITXSCT	1
2	584 29 40-01	SCREW ITXPANT	SCREW	1
3	574 70 21-01	HOUSING	HOUSING	1
4	574 48 90-03	THROTTLE ASSY	THROTTLE ASSY WIRE	1
5	584 99 40-02	SHORT CIRCUIT CABLE	SHORT CIRCUIT CABLE	1
6	574 70 23-01	HOUSING	HOUSING	1
7	545 04 93-09	SWITCH MOMENTARY	SWITCH MOMENTARY	1
8	574 35 54-01	THROTTLE	THROTTLE LOCKOUT	1
9	574 35 53-01	TRIGGER	TRIGGER	1
10	530 01 64-54	RETURN SPRING	RETURN SPRING	1
11	581 11 05-01	DRIVE SHAFT	DRIVESHAFT	1
12	596 02 41-01	DRIVESHAFT ASSY	TUBE ASSY (US/CAN)	1
12	596 02 41-02	DRIVESHAFT ASSY	TUBE ASSY (EUROPE)	1
13	503 87 19-06	HANDLE	HANDLE LOOP	1
14	503 87 90-01	KNOB	KNOB	1
15	725 23 80-51	SCREW EHHM	BOLT	1
16	503 94 03-01	DISTANCE	HANDLE SPACER	1
17	502 19 71-01	SQUARE NUT	NUT M6 SQUARE	1
18	523 01 90-01	BOLT	SCREW	1
19	574 71 08-01	BOLT	SCREW	1
20	581 02 75-01	CLAMP	CLAMP ASSY	1
21	537 33 38-01	BEVEL GEAR	GEAR HEAD	1
22	525 75 51-04	SCREW ITXSCFM	SCREW ITXSCFM	1
23	503 20 15-01	SCREW IHHM	GREASE PLUG	1
24	537 23 49-01	DRIVER ASSY	DRIVER DISC	1
25	581 92 51-01	TRIMMER HEAD	HEAD TRIMMER T35	1
26	576 27 56-01	SCREW ITXSCT	SCREW ITXSCT	1
27	503 79 88-01	BLADE	BLADE	1
28	588 54 37-01	TRIMMER GUARD ASSY	GUARD ASSY TRIMMER	1



ENGINE

325 L, 967908301, 2018-11

Ref	Part No	Description	Remark	QTY	KIT
1	525 75 51-03	SCREW ITXSCFM		1	
2	522 92 89-03	CRANKSHAFT ASSY		1	
3	578 19 48-01	NEEDLE BEARING		1	
4	525 84 56-01	BRIDGE		1	
5	579 52 29-01	GASKET		1	
6	525 75 51-02	SCREW ITXSCFM		1	
7	579 62 26-03	GASKET		1	
8	579 62 25-01	INSULATION WALL		1	
9	580 98 55-01	FILTER HOLDER ASSY		1	
10	573 92 58-01	SCREW ITXSCFT		1	
11	573 92 58-02	SCREW ITXSCFT		1	
12	545 00 80-97	CARBURETOR KIT	CARBURETOR	1	
13	530 01 91-94	GASKET		1	
14	525 76 09-06	SCREW ITXSCM		1	
15	525 61 54-01	SCREW		1	
16	525 61 30-01	WASHER		1	
17	575 76 22-03	CLUTCH ASSY		1	33
18	525 61 29-01	WASHER		1	
19	731 71 16-51	HEXAGON NUT FLANGE		1	
20	510 08 82-02	FLYWHEEL		1	
21	525 75 51-01	SCREW ITXSCFM		1	
22	579 52 54-02	IGNITION MODULE		1	
25	580 98 58-01	GASKET		1	
26	501 17 43-01	MUFFLER KIT	RUSSIA & LATIN AMERICA ONLY	1	
26	545 00 80-98	MUFFLER KIT	ALL MARKETS EXCEPT RUSSIA & LATIN AMERICA	1	
27	545 00 80-93	SPARK PLUG	SPARK PLUG	1	
28	580 44 66-32	CRANKCASE ASSY	CRANKCASE	1	
29	545 00 80-91	PISTON + CYLINDER	PISTON & CYLINDER	1	
30	580 44 66-03	SPARK ARRESTER KIT	SPARK ARRESTOR (IF EQUIPPED)	1	
31	501 85 62-01	SEAL KIT		1	
32	579 52 28-01	GASKET		1	
33	587 03 70-01	SPRING		1	
34	584 99 39-02	SHORT CIRCUIT CABLE		1	
35	590 55 35-02	PISTON KIT	PISTON	1	
36	579 52 46-01	PISTON RING		1	