

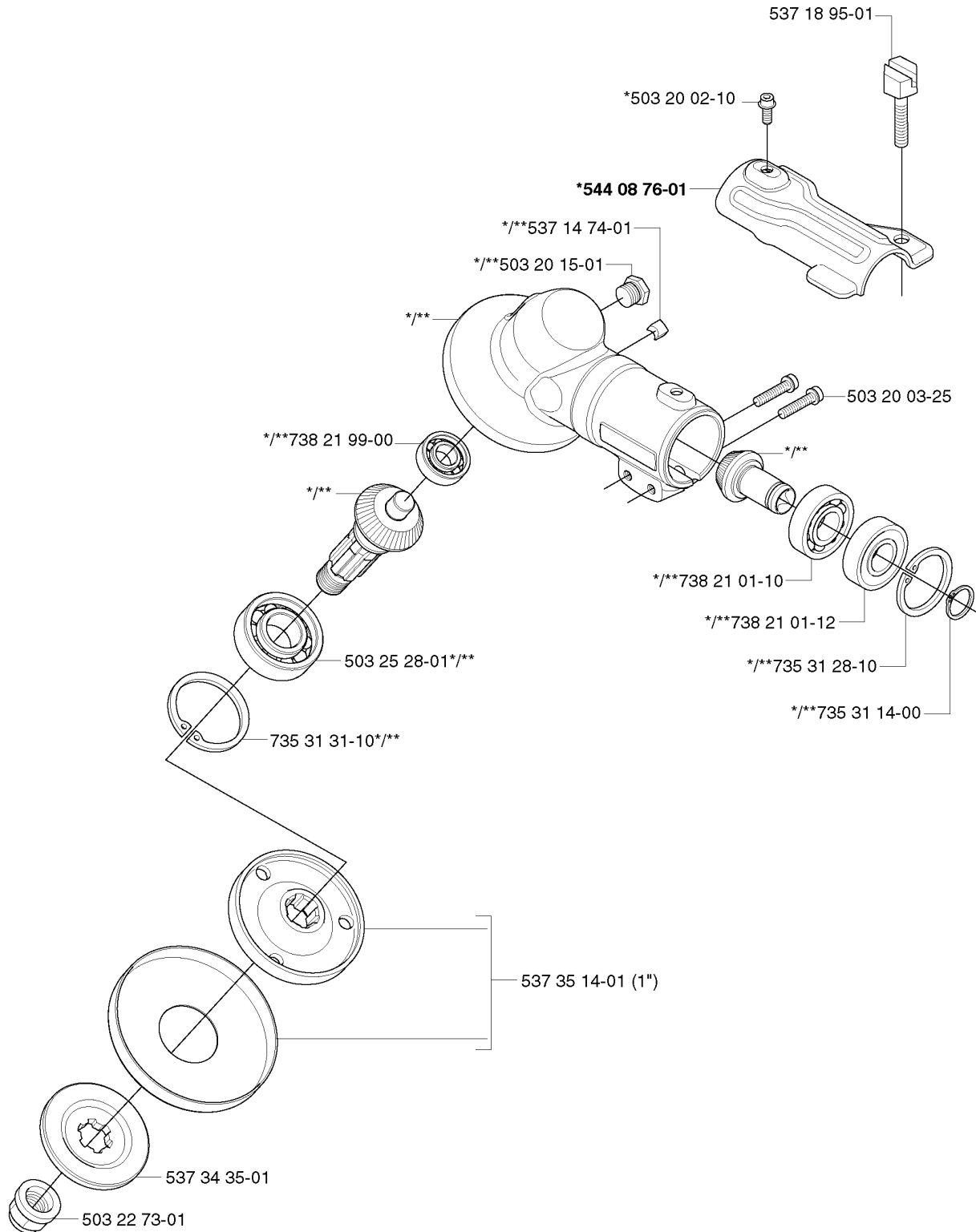


SPARE PARTS LIST

BRUSHCUTTERS/CLEARING SAWS

333 R, 2006-10

A *compl 544 21 64-01 (333R, 335Rx) (1:1.4)
**compl 537 29 58-02 (333RJ, 335RJx, 335Lx) (1:1.29)

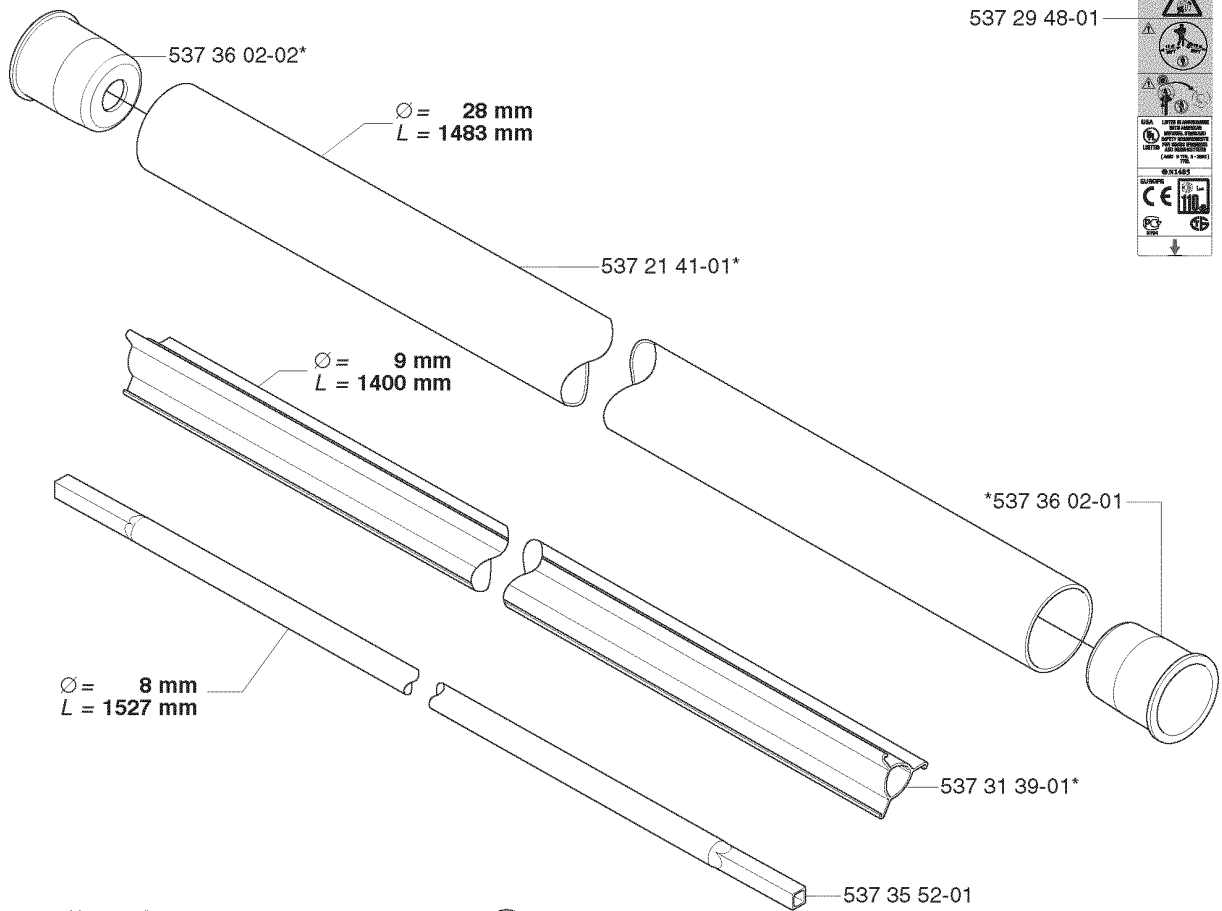


BEVEL GEAR

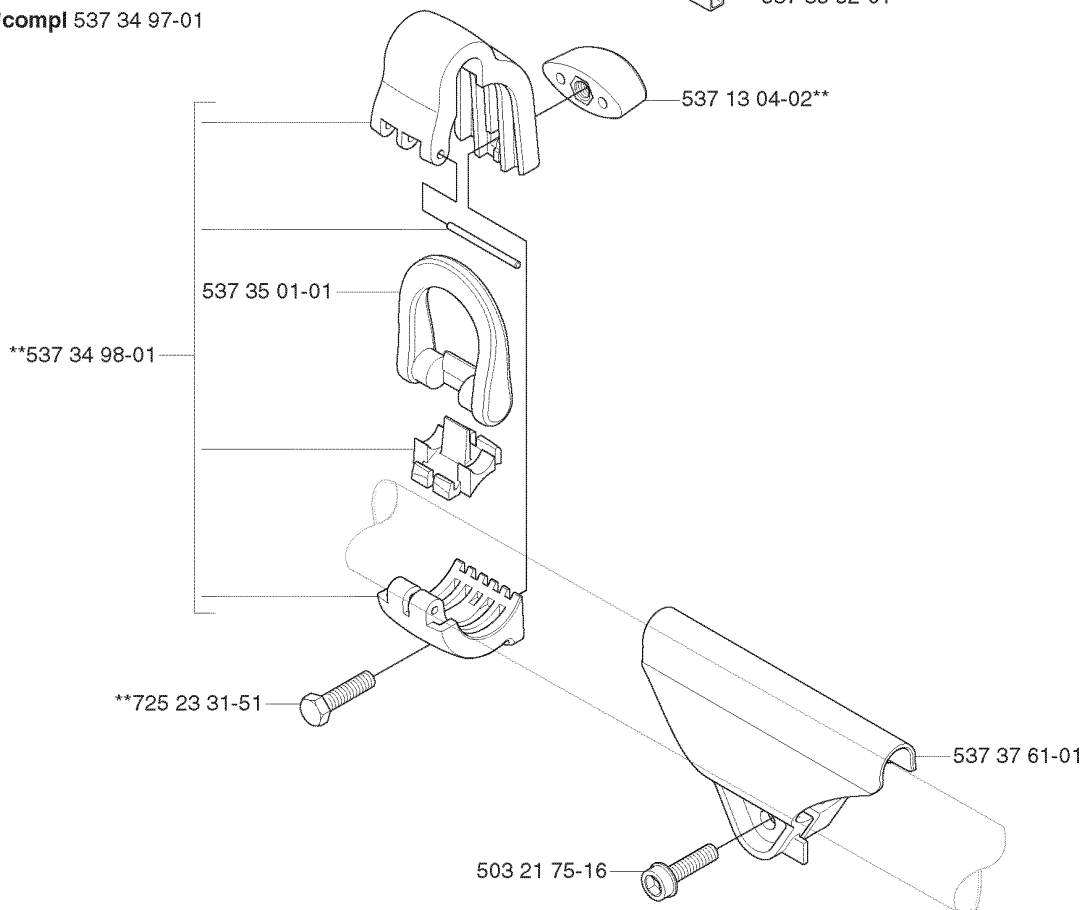
333 R, 2006-10

| Part No | Description | Remark | QTY KIT |
|--------------|----------------|--------|---------|
| 503 20 02-10 | SCREW IHSCFM | | 1 |
| 503 20 03-25 | SCREW IHSCFM | | 1 |
| 503 20 15-01 | SCREW IHHM | | 1 |
| 503 22 73-01 | NUT | | 1 |
| 503 25 28-01 | BALL BEARING | | 1 |
| 537 14 74-01 | MAGNET | | 1 |
| 537 18 95-01 | SCREW | | 1 |
| 537 29 58-02 | BEVEL GEAR | | 1 |
| 537 34 35-01 | SUPPORT FLANGE | | 1 |
| 537 35 14-01 | DRIVER | | 1 |
| 544 08 76-01 | CLAMP | | 1 |
| 544 21 64-01 | GEAR | | 1 |
| 735 31 14-00 | CIRCLIP | | 1 |
| 735 31 28-10 | CIRCLIP | | 1 |
| 735 31 31-10 | CIRCLIP | | 1 |
| 738 21 01-10 | BALL BEARING | | 1 |
| 738 21 01-12 | BALL BEARING | | 1 |
| 738 21 99-00 | BALL BEARING | | 1 |

B *compl 537 21 42-01(333R, 335Rx)



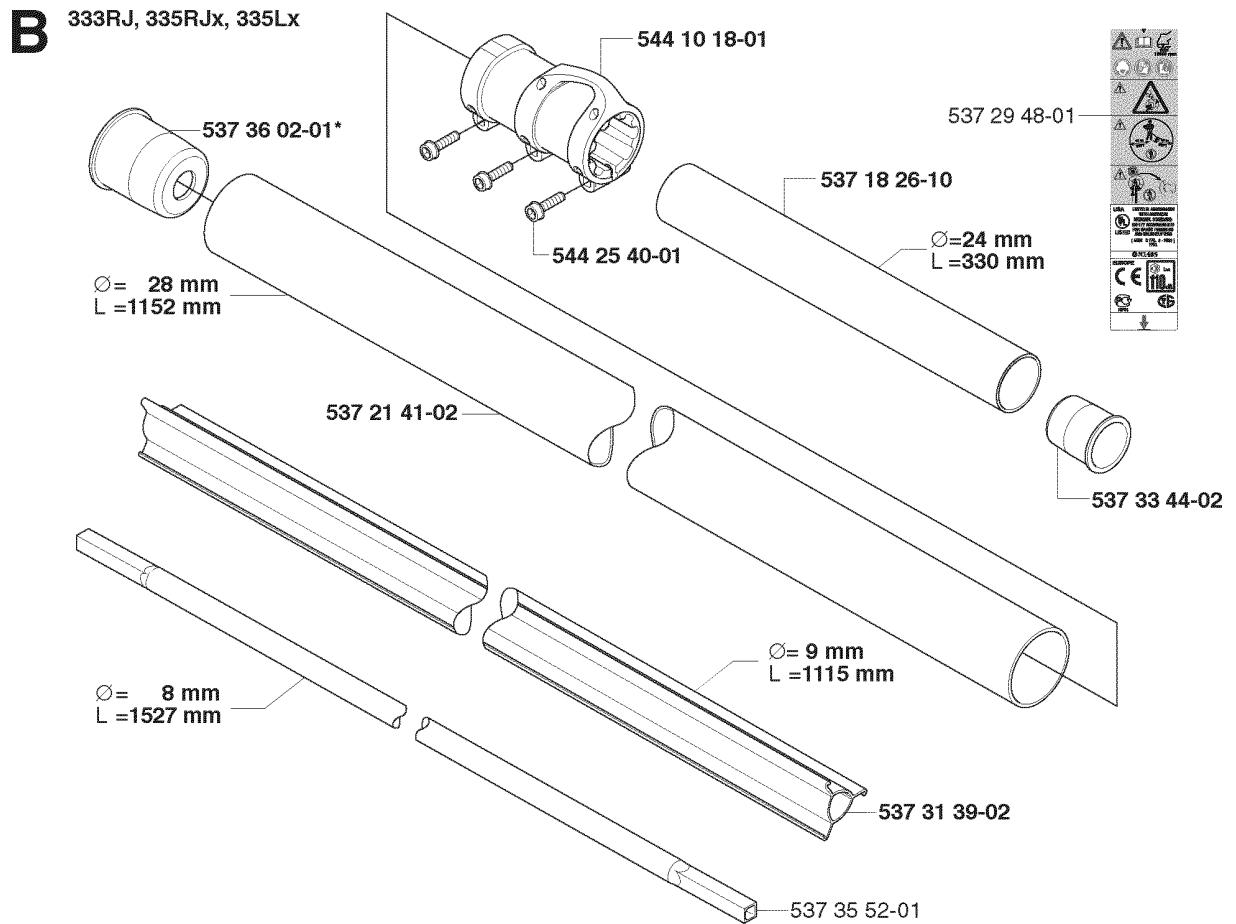
**compl 537 34 97-01



SHAFT

333 R, 2006-10

| Part No | Description | Remark | QTY KIT |
|--------------|--------------|--------|---------|
| 503 21 75-16 | SCREW IHSCFT | | 1 |
| 537 13 04-02 | KNOB | | 1 |
| 537 21 41-01 | TUBE | | 1 |
| 537 21 42-01 | TUBE | | 1 |
| 537 29 48-01 | LABEL | | 1 |
| 537 31 39-01 | GUIDE | | 1 |
| 537 34 97-01 | LOOP | | 1 |
| 537 34 98-01 | LOOP | | 1 |
| 537 35 01-01 | LOOP | | 1 |
| 537 35 52-01 | DRIVE SHAFT | | 1 |
| 537 36 02-01 | SPACER | | 1 |
| 537 36 02-02 | SPACER | | 1 |
| 537 37 61-01 | WIRING | | 1 |
| 725 23 31-51 | SCREW | | 1 |

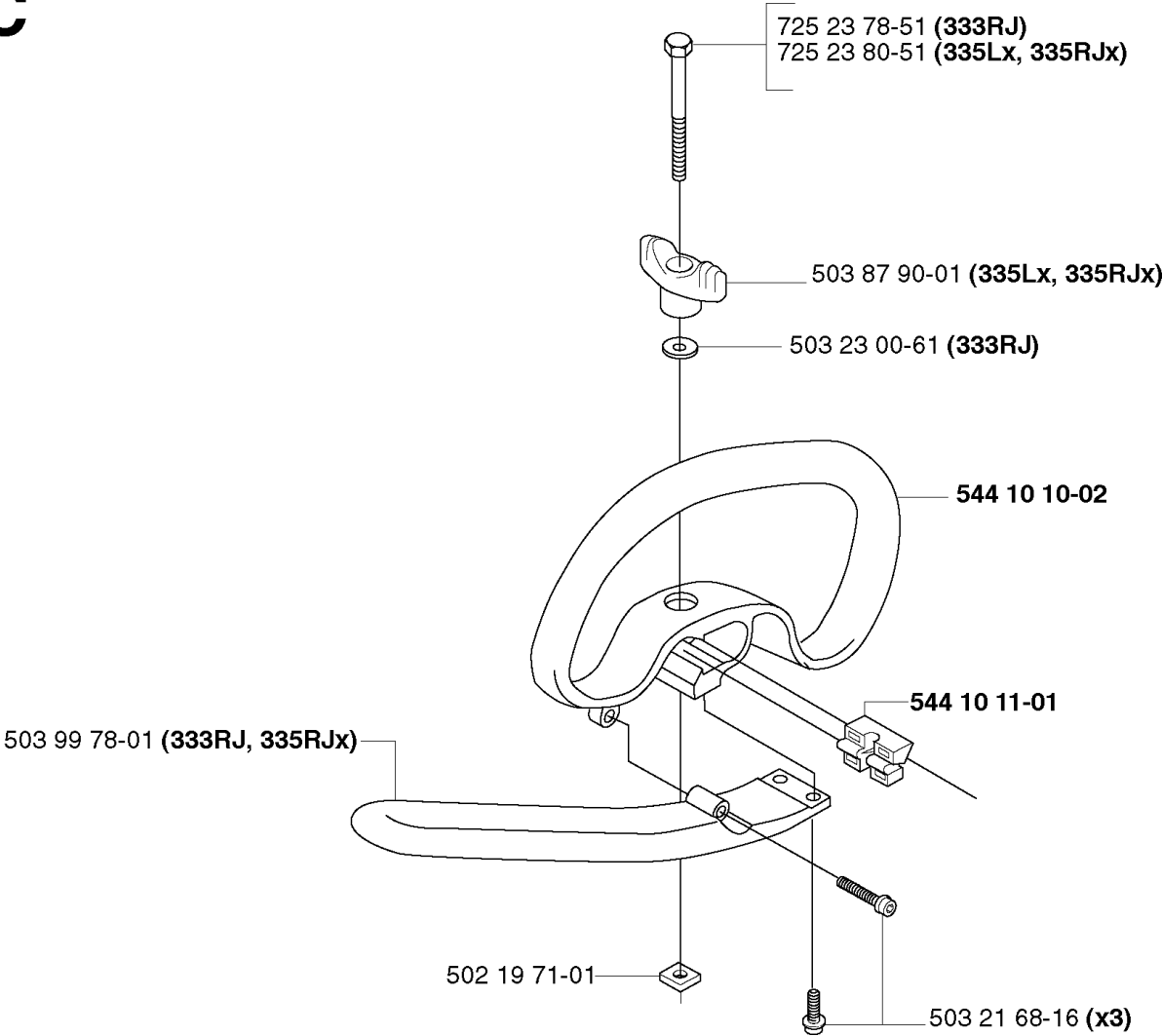


SHAFT

333 R, 2006-10

| Part No | Description | Remark | QTY KIT |
|--------------|-------------|--------|---------|
| 537 18 26-10 | TUBE | | 1 |
| 537 21 41-02 | TUBE | | 1 |
| 537 29 48-01 | LABEL | | 1 |
| 537 31 39-02 | GUIDE | | 1 |
| 537 33 44-02 | SPACER | | 1 |
| 537 35 52-01 | DRIVE SHAFT | | 1 |
| 537 36 02-01 | SPACER | | 1 |
| 544 10 18-01 | SLEEVE | | 1 |
| 544 25 40-01 | SCREW | | 1 |

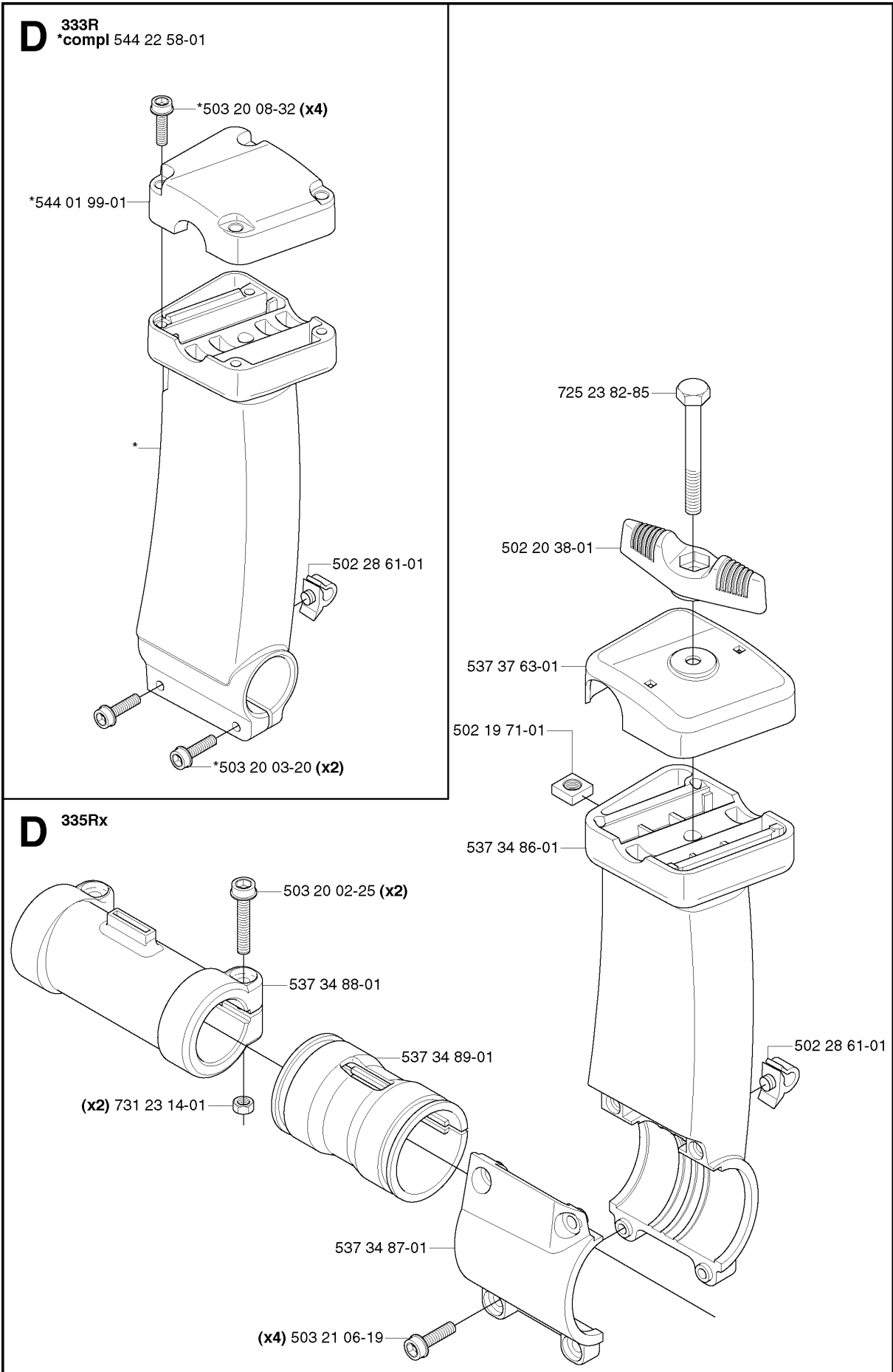
C



HANDLE

333 R, 2006-10

| Part No | Description | Remark | QTY KIT |
|--------------|---------------|--------|---------|
| 502 19 71-01 | SQUARE NUT | | 1 |
| 503 21 68-16 | SCREW IH SCT | | 3 |
| 503 23 00-61 | WASHER | | 1 |
| 503 87 90-01 | KNOB | | 1 |
| 503 99 78-01 | HANDLE | | 1 |
| 544 10 10-02 | HANDLE LOOP | | 1 |
| 544 10 11-01 | BLOCK.SPACING | | 1 |
| 725 23 78-51 | SCREW EHHM | | 1 |
| 725 23 80-51 | SCREW EHHM | | 1 |

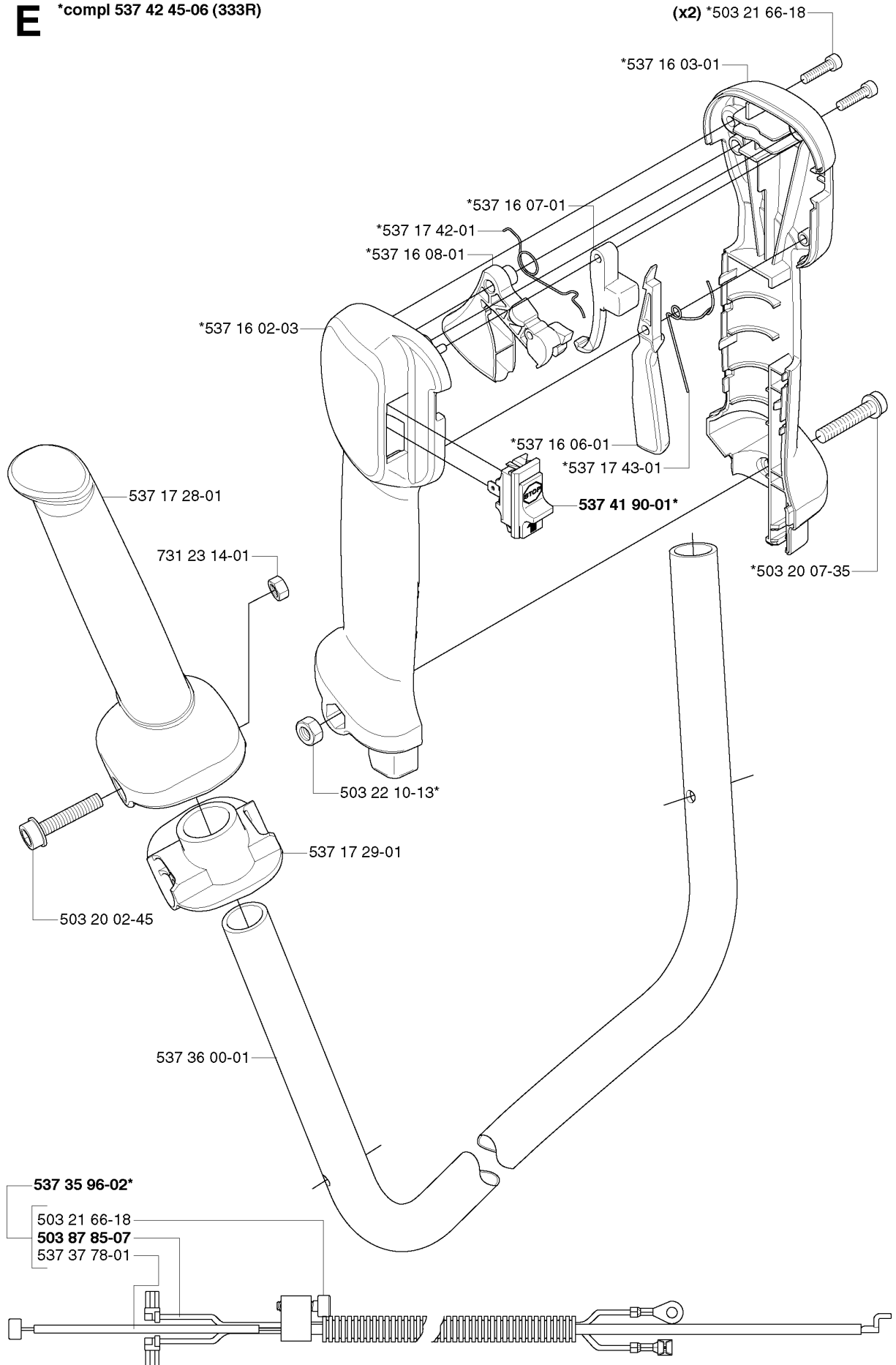


TOWER

333 R, 2006-10

| Part No | Description | Remark | QTY KIT |
|--------------|-----------------------|--------|---------|
| 502 19 71-01 | SQUARE NUT | | 1 |
| 502 20 38-01 | KNOB | | 1 |
| 502 28 61-01 | CLIP | | 1 |
| 502 28 61-01 | CLIP | | 1 |
| 503 20 02-25 | SCREW IHSCFM | | 2 |
| 503 20 03-20 | SCREW IHSCFM | | 2 |
| 503 20 08-32 | SCREW IHSCM | | 4 |
| 503 21 06-19 | SCREW IHST | | 4 |
| 537 34 86-01 | BRACKET | | 1 |
| 537 34 87-01 | HUB CAP | | 1 |
| 537 34 88-01 | COMPRESSION SLEEVE | | 1 |
| 537 34 89-01 | ANTIVIBRATION ELEMENT | | 1 |
| 537 37 63-01 | COVER | | 1 |
| 544 01 99-01 | HANDLEBAR BRACKET | | 1 |
| 544 22 58-01 | HANDLEBAR BRACKET | | 1 |
| 725 23 82-85 | SCREW EHHM | | 1 |
| 731 23 14-01 | HEXAGON NUT | | 2 |

E *compl 537 42 45-06 (333R)



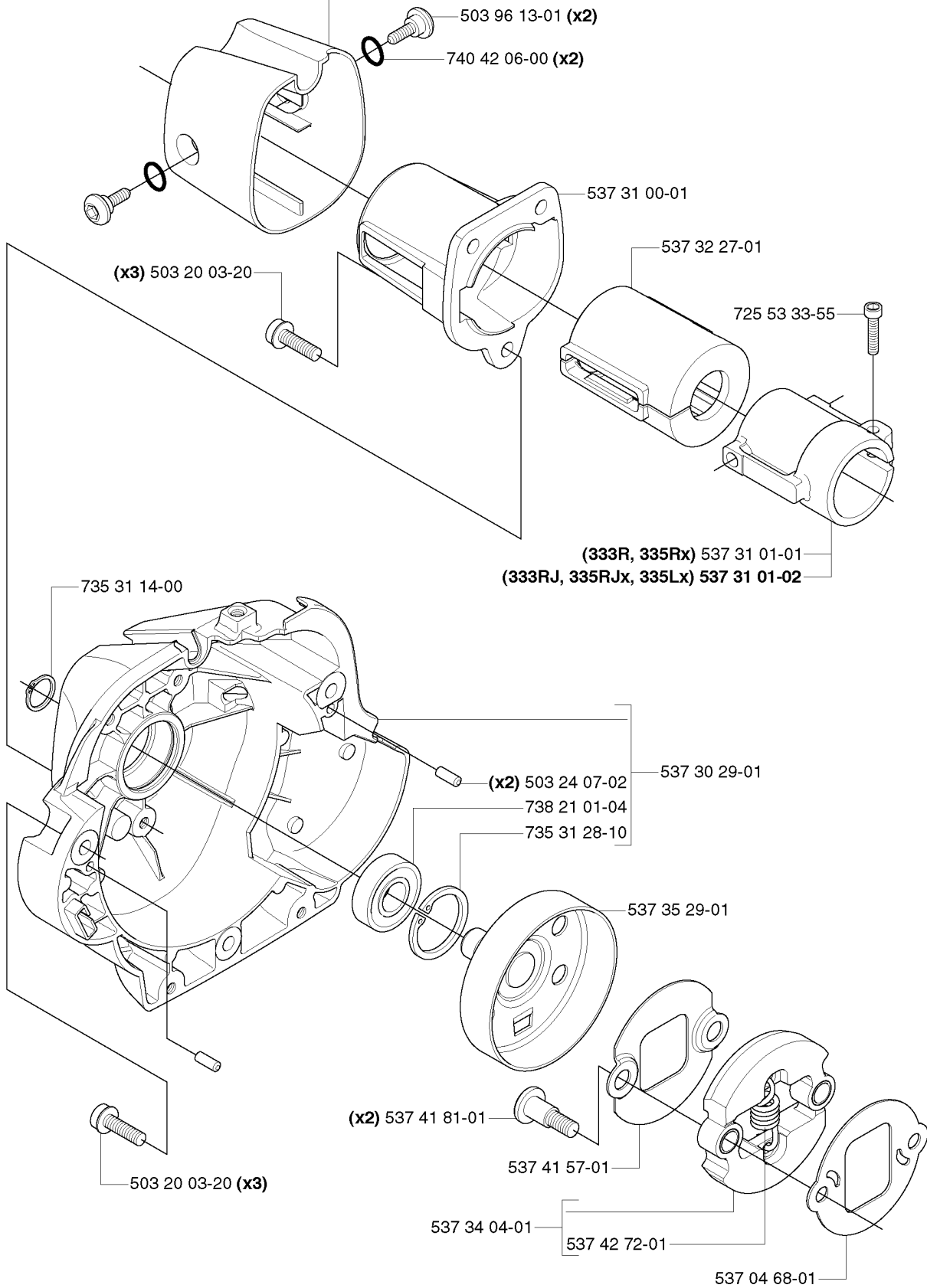
HANDLE & CONTROLS

333 R, 2006-10

| Part No | Description | Remark | QTY KIT |
|--------------|----------------------|--------|---------|
| 503 20 02-45 | SCREW IHSCFM | | 1 |
| 503 20 07-35 | SCREW IHSCFM | | 1 |
| 503 21 66-18 | SCREW IHSCF | | 1 |
| 503 21 66-18 | SCREW IHSCF | | 2 |
| 503 22 10-13 | HEXAGON NUT | | 1 |
| 503 87 85-07 | SHORT CIRCUIT CABLE | | 1 |
| 537 16 02-03 | HANDLE HALF | | 1 |
| 537 16 03-01 | HANDLE HALF | | 1 |
| 537 16 06-01 | THROTTLE LOCKOUT | | 1 |
| 537 16 07-01 | STARTER THROTTLE LOC | | 1 |
| 537 16 08-01 | THROTTLE TRIGGER | | 1 |
| 537 17 28-01 | HANDLE | | 1 |
| 537 17 29-01 | COVER | | 1 |
| 537 17 42-01 | SPRING THROTTLE TRIG | | 1 |
| 537 17 43-01 | SPRING | | 1 |
| 537 35 96-02 | WIRING ASSY | | 1 |
| 537 36 00-01 | HANDLEBAR | | 1 |
| 537 37 78-01 | THROTTLE WIRE ASSY | | 1 |
| 537 41 90-01 | SWITCH | | 1 |
| 537 42 45-06 | HANDLE SYSTEM | | 1 |
| 731 23 14-01 | HEXAGON NUT | | 1 |

H

(333RJ, 335RJx, 335Lx) 544 11 97-01
(333R, 335Rx) 537 32 61-01

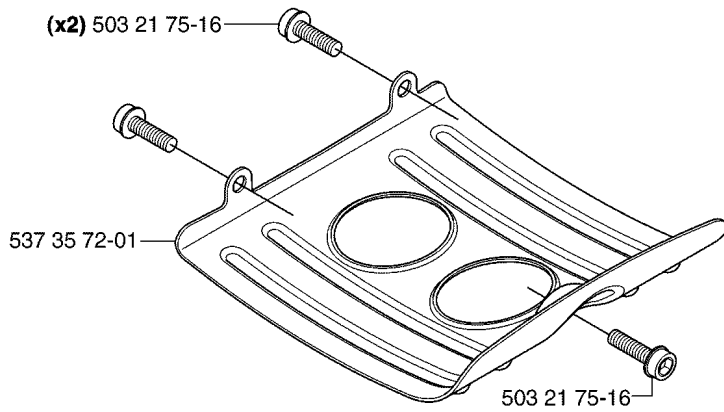
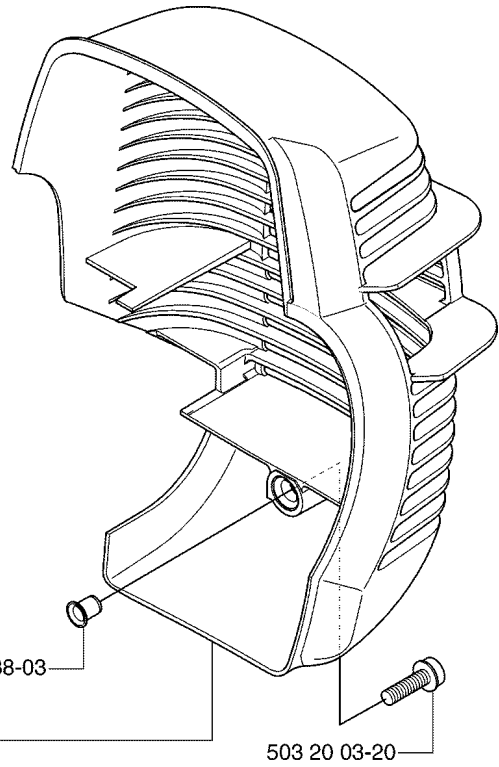
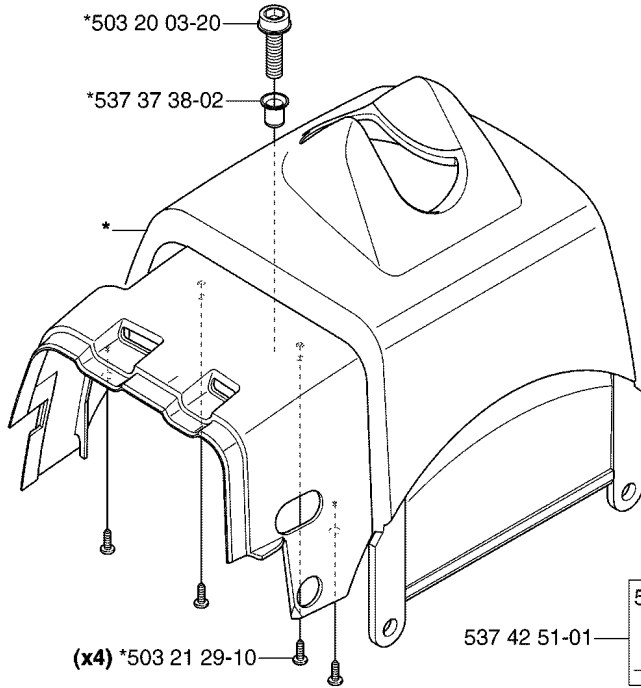


CLUTCH

333 R, 2006-10

| Part No | Description | Remark | QTY KIT |
|--------------|-----------------------|--------|---------|
| 503 20 03-20 | SCREW IHSCFM | | 3 |
| 503 20 03-20 | SCREW IHSCFM | | 3 |
| 503 24 07-02 | PARALLEL PIN | | 2 |
| 503 96 13-01 | SCREW | | 2 |
| 537 04 68-01 | WASHER | | 1 |
| 537 30 29-01 | CLUTCH COVER | | 1 |
| 537 31 00-01 | COVER | | 1 |
| 537 31 01-01 | COMPRESSION SLEEVE | | 1 |
| 537 31 01-02 | COMPRESSION SLEEVE | | 1 |
| 537 32 27-01 | ANTIVIBRATION ELEMENT | | 1 |
| 537 32 61-01 | COVER | | 1 |
| 537 34 04-01 | CLUTCH | | 1 |
| 537 35 29-01 | CLUTCH DRUM | | 1 |
| 537 41 57-01 | WASHER | | 1 |
| 537 41 81-01 | SCREW | | 2 |
| 537 42 72-01 | SPRING | | 1 |
| 544 11 97-01 | COVER | | 1 |
| 725 53 33-55 | SCREW IHSCM | | 1 |
| 735 31 14-00 | CIRCLIP | | 1 |
| 735 31 28-10 | CIRCLIP | | 1 |
| 738 21 01-04 | BALL BEARING | | 1 |
| 740 42 06-00 | O-RING | | 2 |

J *compl 544 16 01-01



- (335Lx) 537 39 52-02
- (333RJ) 537 39 52-03
- (333R) 537 39 52-04
- (335RJx) 537 39 52-05
- (335Rx) 537 39 52-06

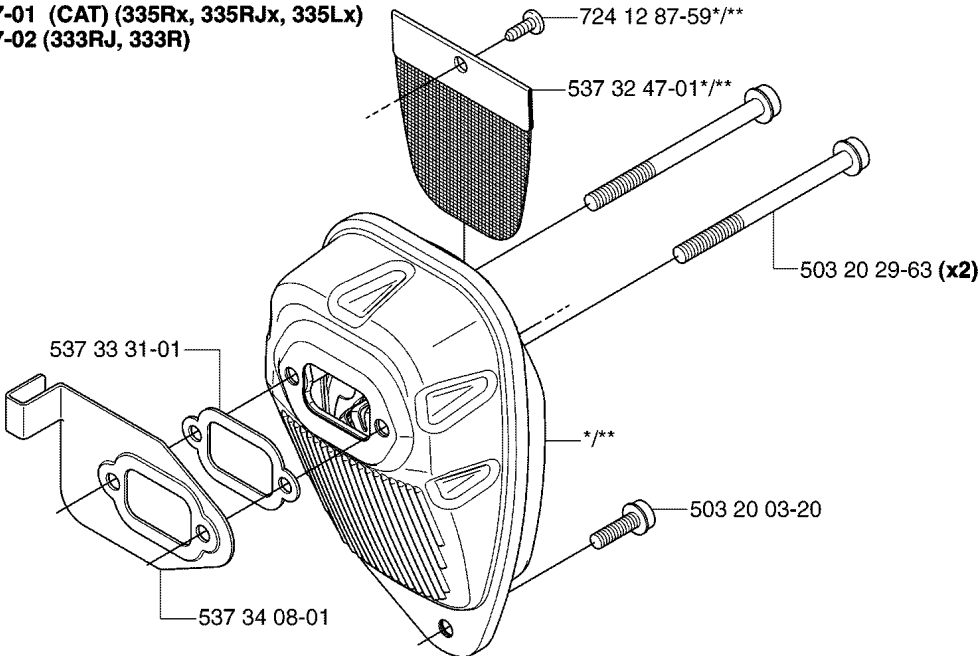
COVER

333 R, 2006-10

| Part No | Description | Remark | QTY KIT |
|--------------|------------------|--------|---------|
| 503 20 03-20 | SCREW IHSCFM | | 1 |
| 503 20 03-20 | SCREW IHSCFM | | 1 |
| 503 21 29-10 | SCREW CCRPANT | | 4 |
| 503 21 75-16 | SCREW IHSCFT | | 2 |
| 503 21 75-16 | SCREW IHSCFT | | 1 |
| 537 35 72-01 | PROTECTIVE PLATE | | 1 |
| 537 37 38-02 | TUBULAR RIVET | | 1 |
| 537 37 38-03 | TUBULAR RIVET | | 1 |
| 537 39 52-02 | LABEL | | 1 |
| 537 39 52-03 | LABEL | | 1 |
| 537 39 52-04 | LABEL | | 1 |
| 537 39 52-05 | LABEL | | 1 |
| 537 39 52-06 | LABEL | | 1 |
| 537 42 51-01 | HEAT PROTECTOR | | 1 |
| 544 16 01-01 | CYLINDER COVER | | 1 |

K *compl 544 11 67-01 (CAT) (335Rx, 335Rjx, 335Lx)

**compl 544 11 67-02 (333RJ, 333R)

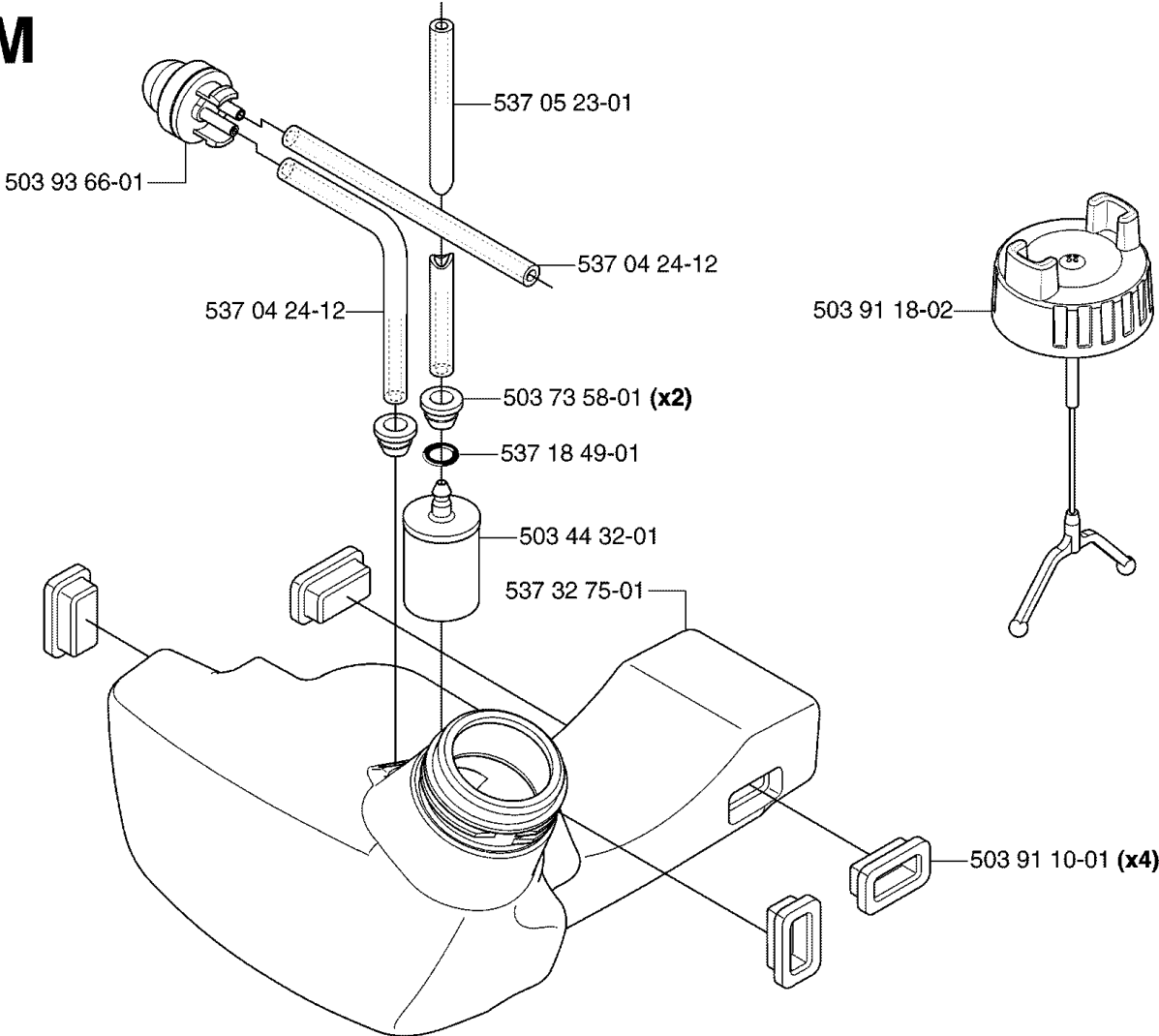


MUFFLER

333 R, 2006-10

| Part No | Description | Remark | QTY KIT |
|--------------|-----------------------|--------|---------|
| 503 20 03-20 | SCREW IHSCFM | | 1 |
| 503 20 29-63 | SCREW IHSCFM | | 2 |
| 537 32 47-01 | SPARK ARRESTER SCREEN | | 1 |
| 537 33 31-01 | GASKET | | 1 |
| 537 34 08-01 | AIR CONDUCTOR | | 1 |
| 544 11 67-01 | MUFFLER ASSY | | 1 |
| 544 11 67-02 | MUFFLER ASSY | | 1 |
| 724 12 87-59 | SCREW CRPANM | | 1 |

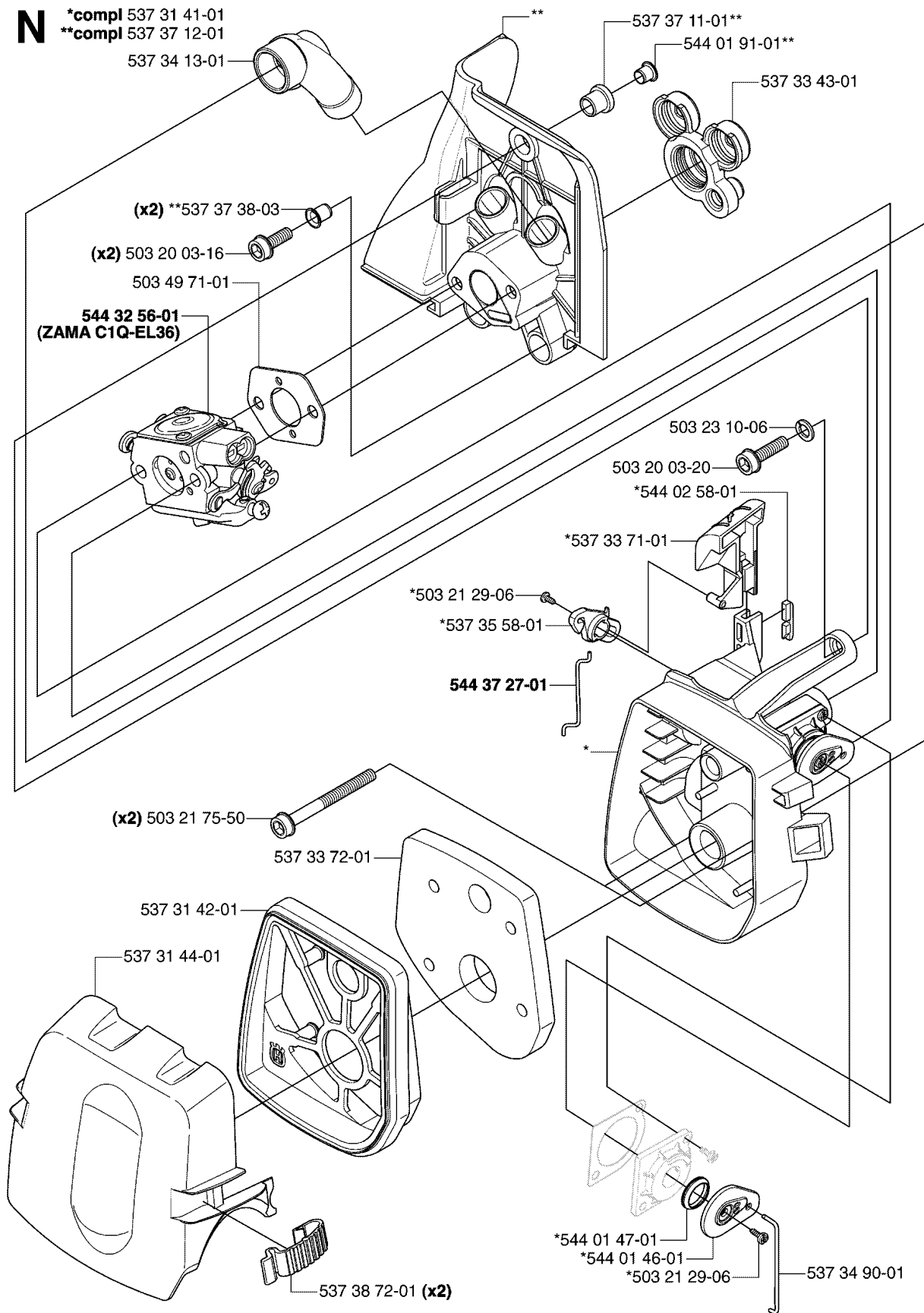
M



FUEL TANK

333 R, 2006-10

| Part No | Description | Remark | QTY KIT |
|--------------|-------------|--------|---------|
| 503 44 32-01 | FUEL FILTER | | 1 |
| 503 73 58-01 | BUSHING | | 2 |
| 503 91 10-01 | SUSPENSION | | 4 |
| 503 91 18-02 | TANK CAP | | 1 |
| 503 93 66-01 | PURGE | | 1 |
| 537 04 24-12 | FUEL HOSE | | 1 |
| 537 04 24-12 | FUEL HOSE | | 1 |
| 537 05 23-01 | FUEL HOSE | | 1 |
| 537 18 49-01 | O-RING | | 1 |
| 537 32 75-01 | FUEL TANK | | 1 |

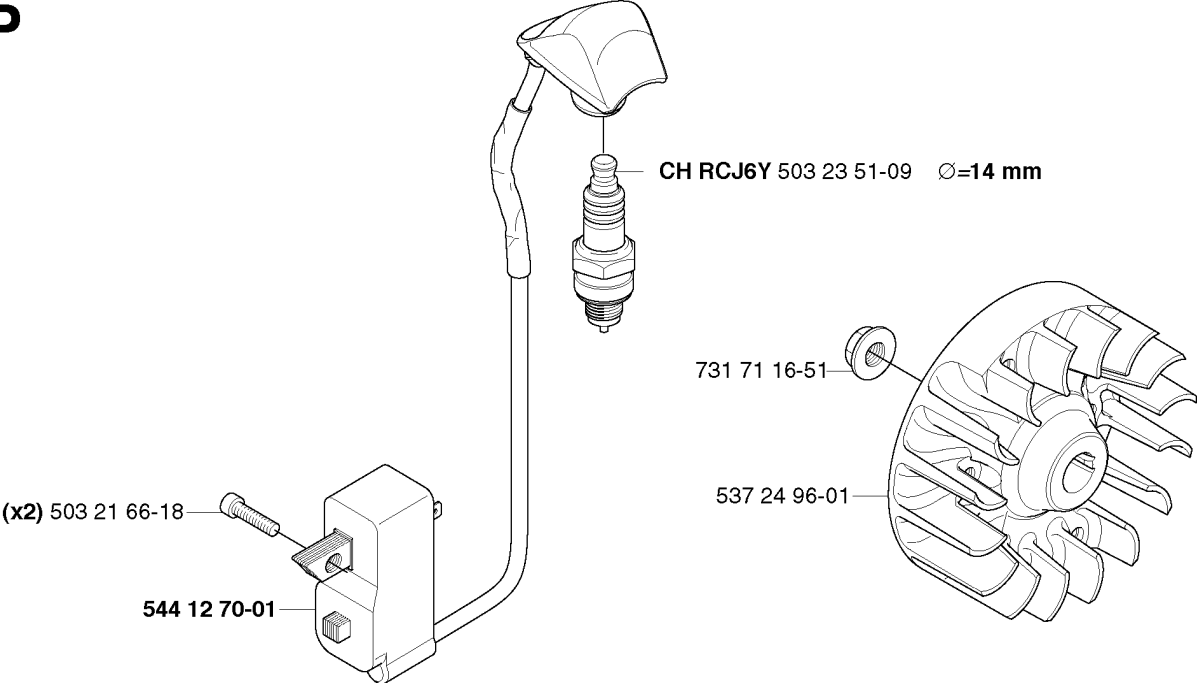


CARBURETOR & AIR FILTER

333 R, 2006-10

| Part No | Description | Remark | QTY KIT |
|--------------|------------------|--------|---------|
| 503 20 03-16 | SCREW IHSCFM | | 2 |
| 503 20 03-20 | SCREW IHSCFM | | 1 |
| 503 21 29-06 | SCREW CCRPANT | | 1 |
| 503 21 29-06 | SCREW CCRPANT | | 1 |
| 503 21 75-50 | SCREW IHSCFT | | 2 |
| 503 23 10-06 | WASHER | | 1 |
| 503 49 71-01 | GASKET | | 1 |
| 537 31 41-01 | FILTER HOLDER | | 1 |
| 537 31 42-01 | FRAME | | 1 |
| 537 31 44-01 | FILTER COVER | | 1 |
| 537 33 43-01 | INLET PIPE | | 1 |
| 537 33 71-01 | CHOKE CONTROL | | 1 |
| 537 33 72-01 | FILTER | | 1 |
| 537 34 13-01 | AIR DUCT | | 1 |
| 537 34 90-01 | LEVER | | 1 |
| 537 35 58-01 | LEVER | | 1 |
| 537 37 11-01 | SLEEVE | | 1 |
| 537 37 12-01 | INSULATION WALL | | 1 |
| 537 37 38-03 | TUBULAR RIVET | | 2 |
| 537 38 72-01 | SNAP LOCKING | | 2 |
| 544 01 46-01 | LEVER | | 1 |
| 544 01 47-01 | BELLOWS | | 1 |
| 544 01 91-01 | TUBULAR RIVET | | 1 |
| 544 02 58-01 | BAR | | 1 |
| 544 32 56-01 | CARBURETTOR | | 1 |
| 544 37 27-01 | SLEEVING BRACKET | | 1 |

P

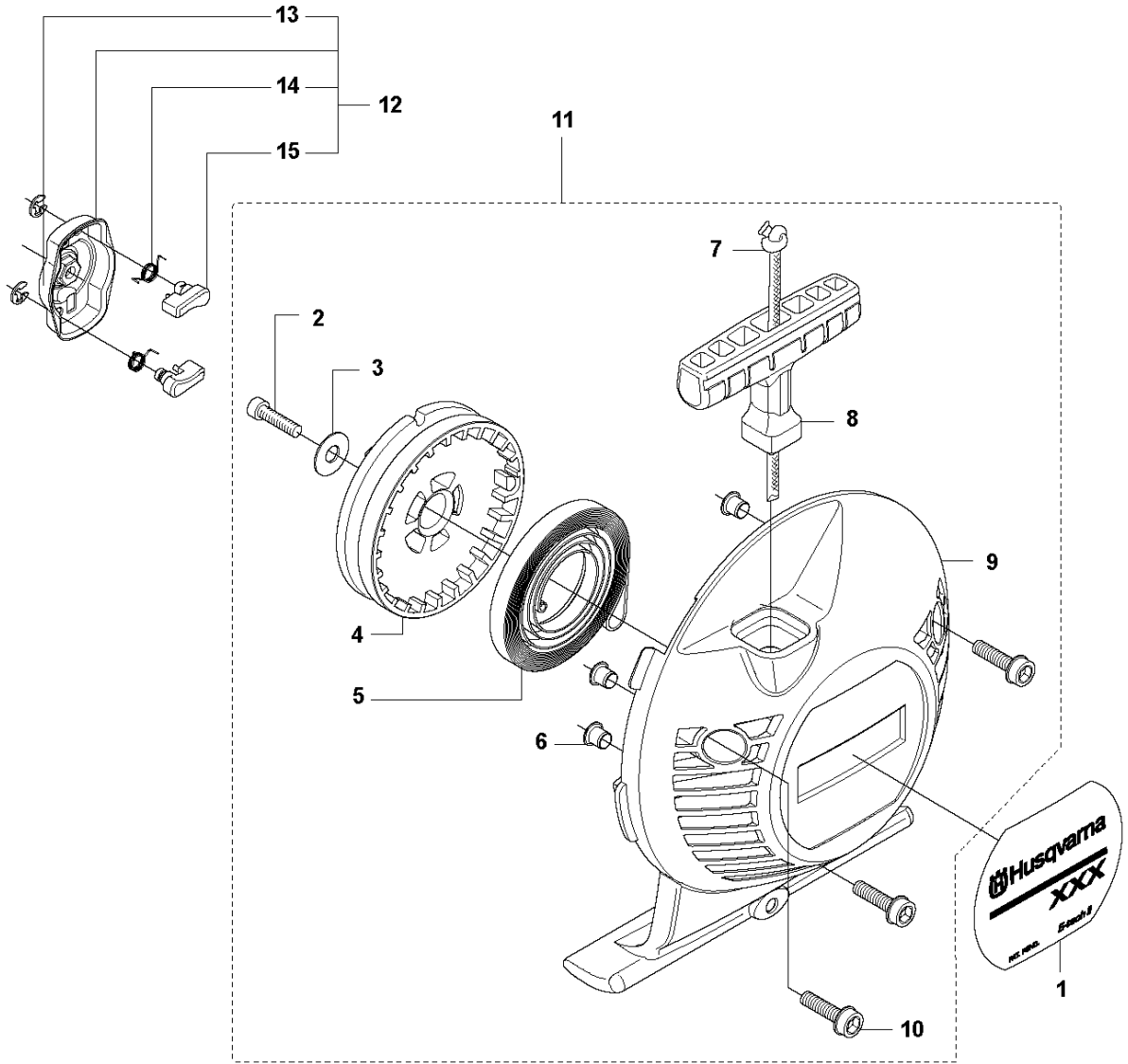


IGNITION SYSTEM

333 R, 2006-10

| Part No | Description | Remark | QTY KIT |
|--------------|--------------------|--------|---------|
| 503 21 66-18 | SCREW IHST | | 2 |
| 503 23 51-09 | SPARK PLUG | | 1 |
| 537 24 96-01 | FLYWHEEL | | 1 |
| 544 12 70-01 | IGNITION MODULE | | 1 |
| 731 71 16-51 | HEXAGON NUT FLANGE | | 1 |

K1 333R, 333RJ
335FR, 335LS, 335Lx, 335RJx, 335Rx.
STARTER

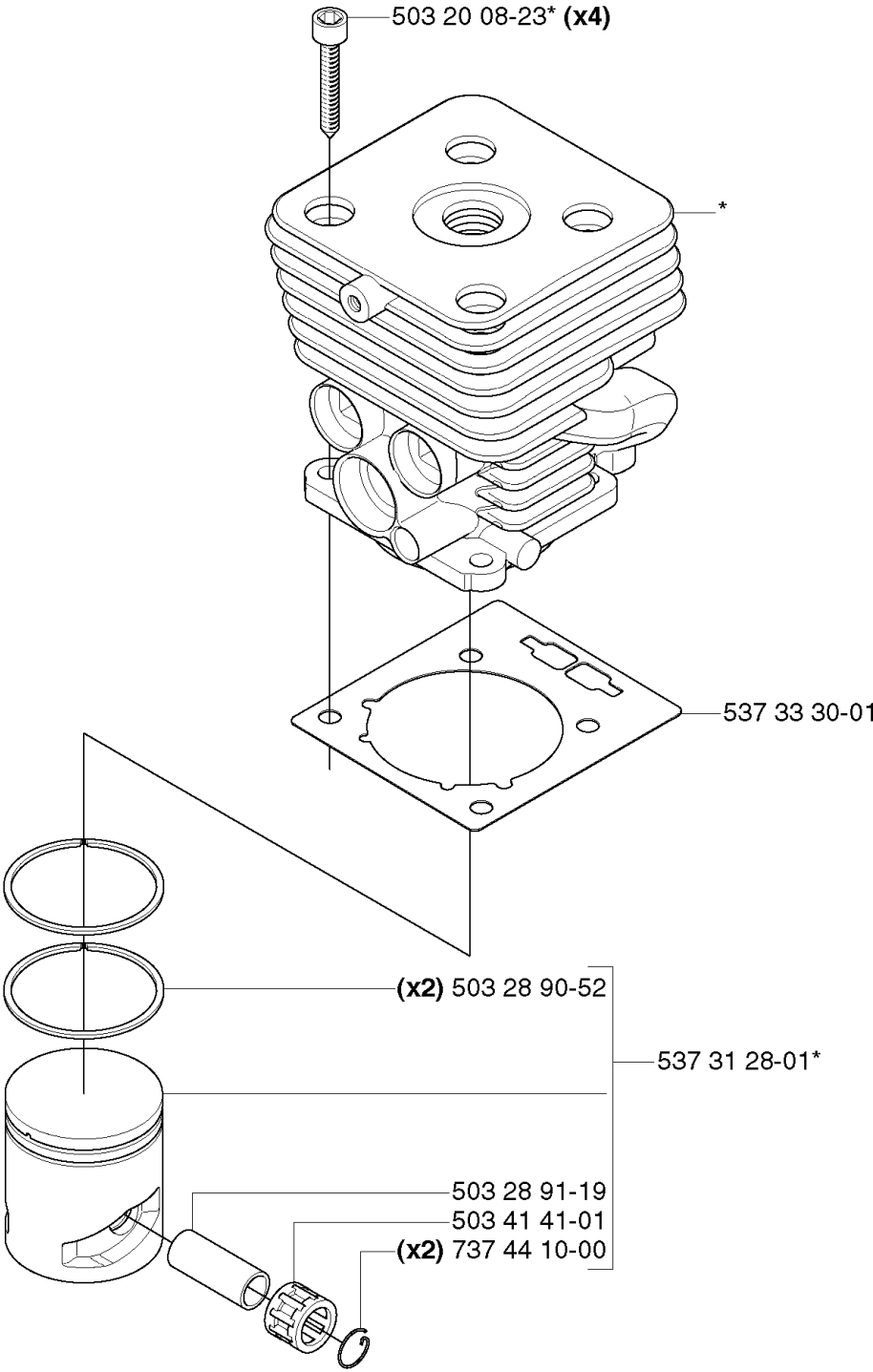


STARTER

333 R, 2006-10

| Ref | Part No | Description | Remark | QTY KIT | |
|-----|--------------|----------------|--------|---------|----|
| 1 | 537 32 24-05 | LABEL | 333R | 1 | |
| 1 | 537 32 24-06 | LABEL | 335Rx | 1 | |
| 1 | 537 32 24-09 | LABEL | 335FR | 1 | |
| 1 | 537 32 24-08 | LABEL | 335LS | 1 | |
| 2 | 503 21 79-20 | SCREW IH SCT | | 1 | 11 |
| 3 | 535 07 23-01 | WASHER | | 1 | 11 |
| 4 | 537 32 50-02 | STARTER PULLEY | | 1 | 11 |
| 5 | 503 85 99-01 | RECOIL SPRING | | 1 | 11 |
| 6 | 537 37 38-02 | TUBULAR RIVET | | 3 | 11 |
| 7 | 505 30 51-25 | STARTER CORD | | 1 | 11 |
| 8 | 503 54 39-01 | STARTER HANDLE | | 1 | 11 |
| 9 | 544 27 93-01 | STARTER | | 1 | 11 |
| 10 | 503 20 03-20 | SCREW IHSCFM | | 3 | 11 |
| 11 | 537 21 47-03 | STARTER ASSY | | 1 | |
| 12 | 503 87 33-05 | BRIDGE | | 1 | |
| 13 | 735 31 08-20 | E-CLIP | | 2 | 12 |
| 14 | 503 87 36-01 | SPRING | | 1 | 12 |
| 15 | 503 87 35-02 | STARTER PAWL | | 2 | 12 |

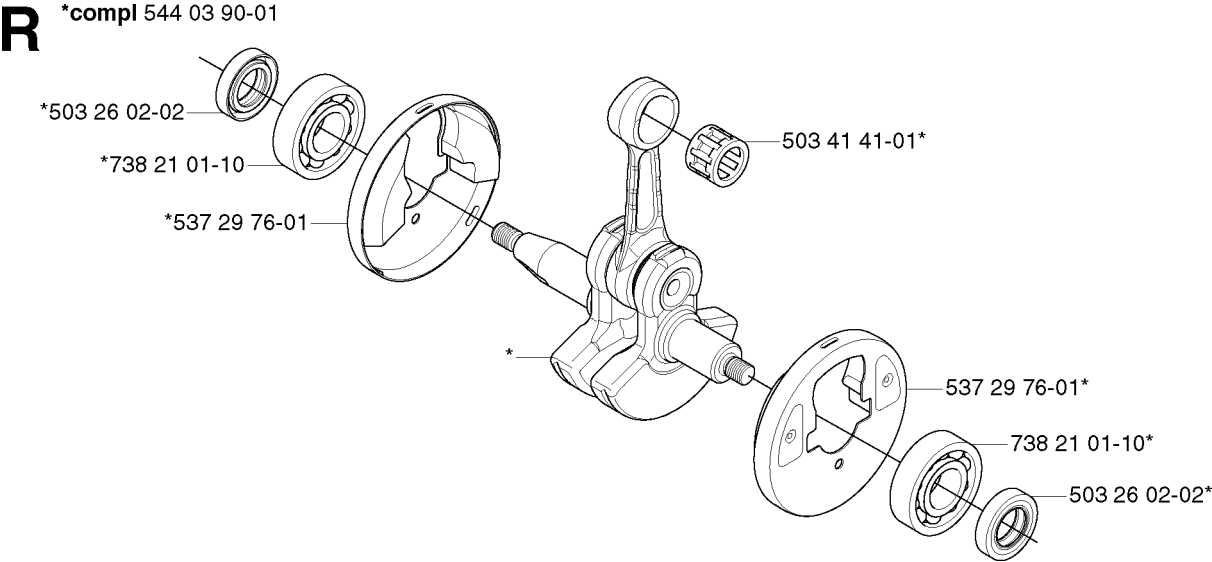
Q *compl 544 40 06-01 $\varnothing=38$ mm



CYLINDER PISTON

333 R, 2006-10

| Part No | Description | Remark | QTY KIT |
|--------------|----------------|--------|---------|
| 503 20 08-23 | SCREW IHSCM | | 4 |
| 503 28 90-52 | PISTON RING | | 2 |
| 503 28 91-19 | PISTON PIN | | 1 |
| 503 41 41-01 | NEEDLE BEARING | | 1 |
| 537 31 28-01 | PISTON | | 1 |
| 537 33 30-01 | GASKET | | 1 |
| 544 40 06-01 | CYLINDER ASSY | | 1 |
| 737 44 10-00 | SNAP RING | | 2 |



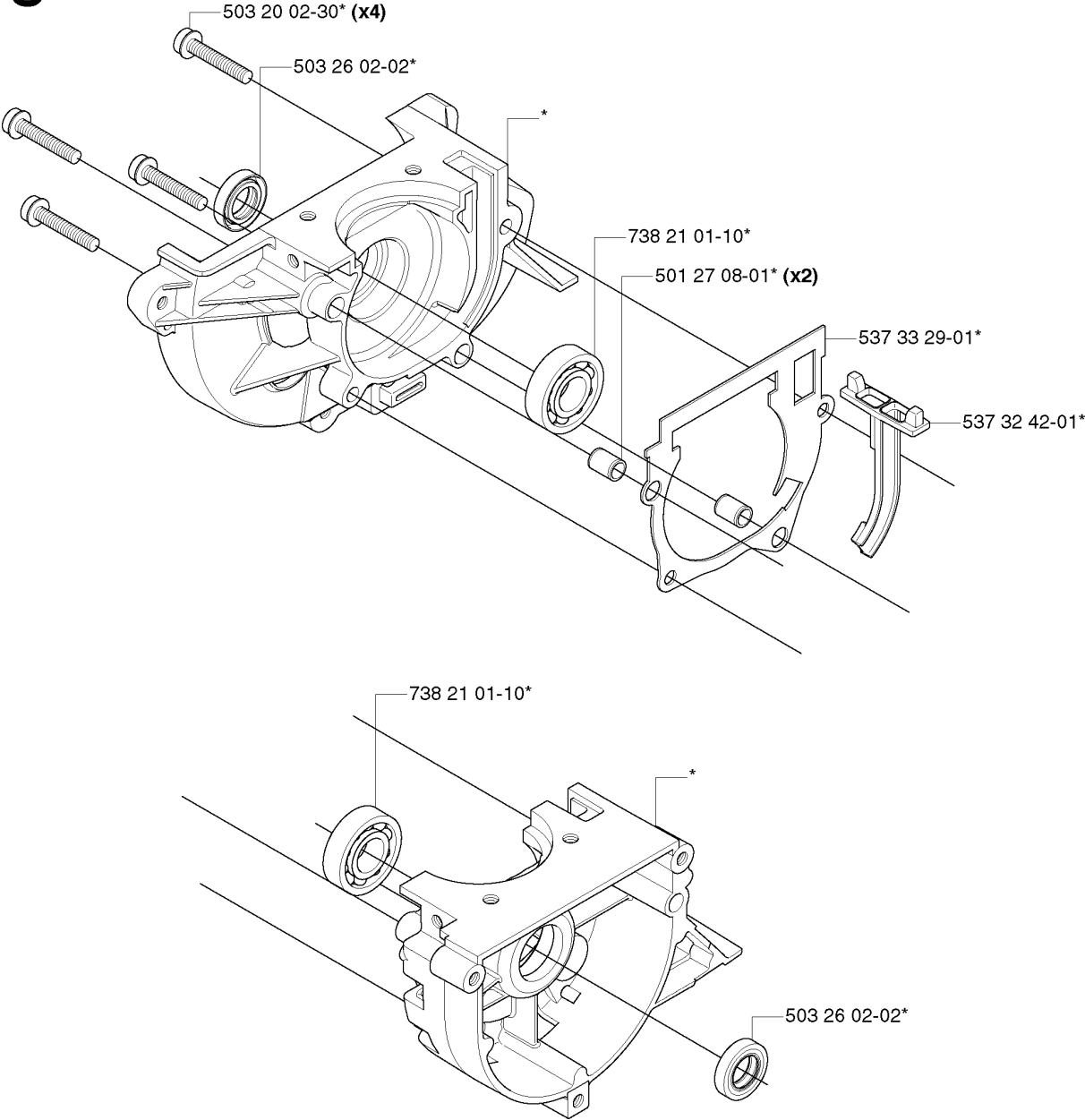
CRANKSHAFT

333 R, 2006-10

| Part No | Description | Remark | QTY KIT |
|--------------|-----------------|--------|---------|
| 503 26 02-02 | SEALING RING | | 1 |
| 503 26 02-02 | SEALING RING | | 1 |
| 503 41 41-01 | NEEDLE BEARING | | 1 |
| 537 29 76-01 | CUP | | 1 |
| 537 29 76-01 | CUP | | 1 |
| 544 03 90-01 | CRANKSHAFT ASSY | | 1 |
| 738 21 01-10 | BALL BEARING | | 1 |
| 738 21 01-10 | BALL BEARING | | 1 |

S

*compl 544 03 89-01



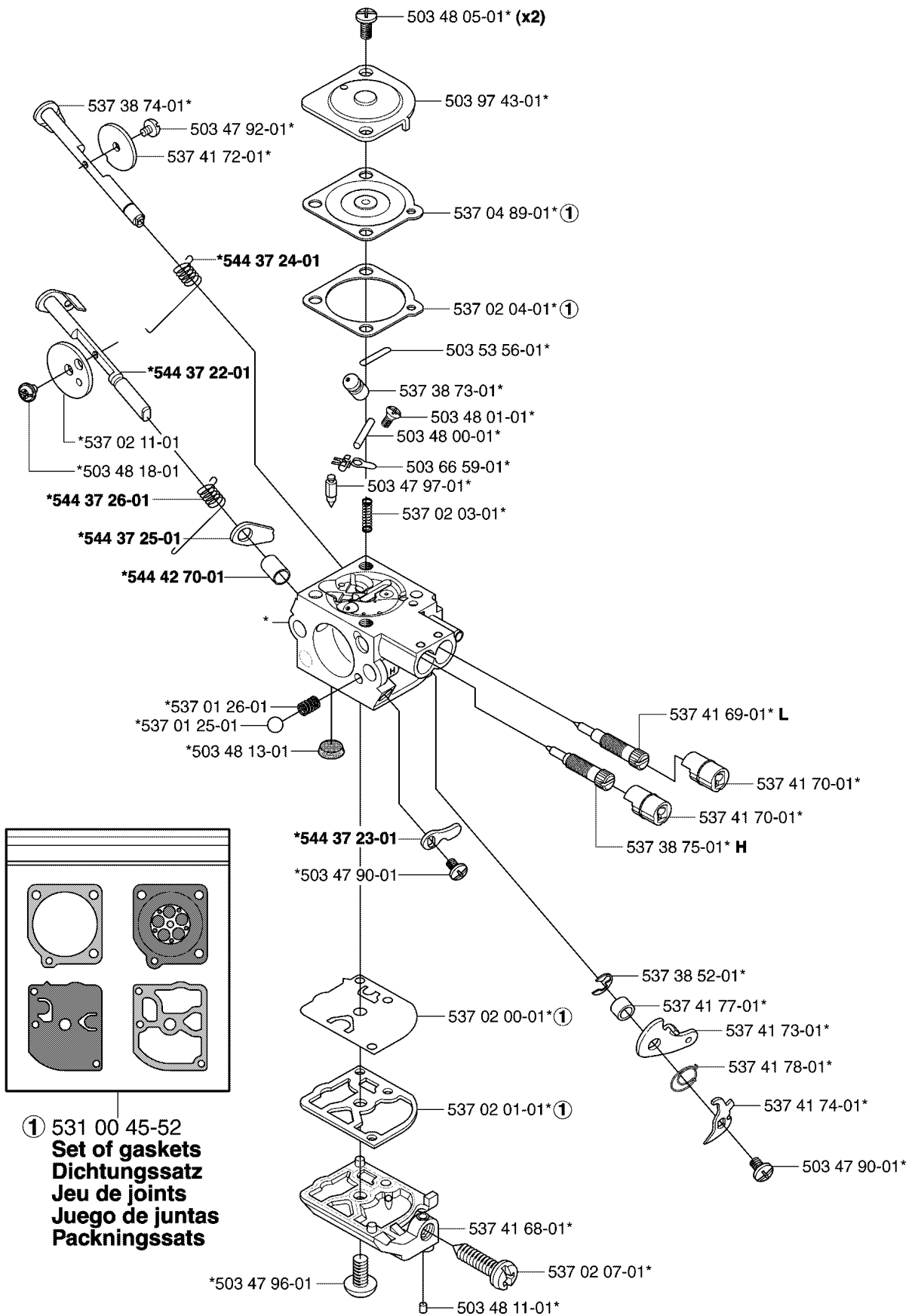
CRANKCASE

333 R, 2006-10

| Part No | Description | Remark | QTY KIT |
|--------------|----------------|--------|---------|
| 501 27 08-01 | GUIDE BUSHING | | 2 |
| 503 20 02-30 | SCREW IHSCFM | | 4 |
| 503 26 02-02 | SEALING RING | | 1 |
| 503 26 02-02 | SEALING RING | | 1 |
| 537 32 42-01 | INSERT | | 1 |
| 537 33 29-01 | GASKET | | 1 |
| 544 03 89-01 | CRANKCASE ASSY | | 1 |
| 738 21 01-10 | BALL BEARING | | 1 |
| 738 21 01-10 | BALL BEARING | | 1 |

T *compl 544 32 56-01 (ZAMA C1Q-EL36)

Zama C1Q-EL36

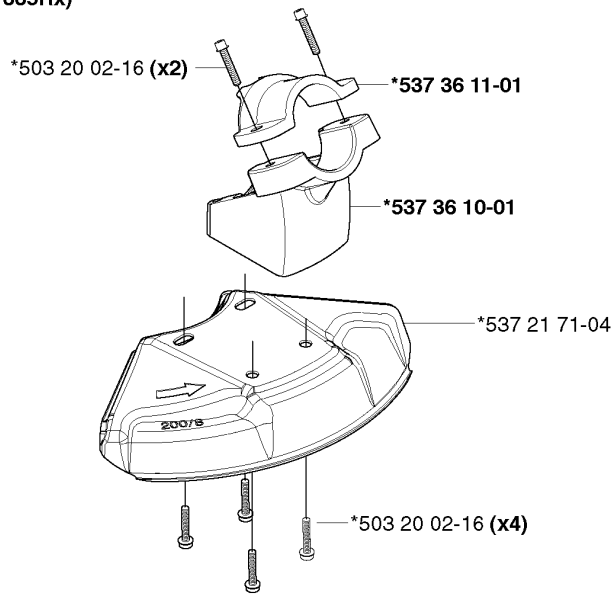


CARBURETOR

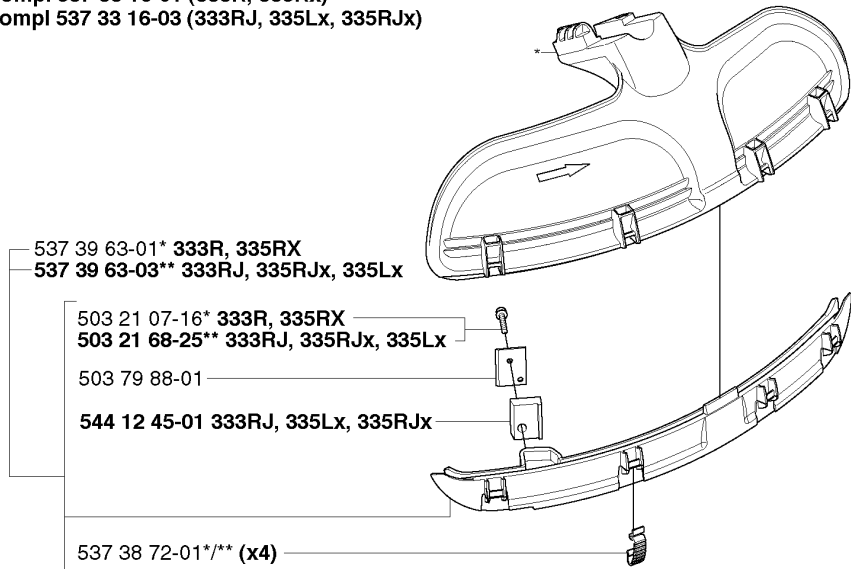
333 R, 2006-10

| Part No | Description | Remark | QTY KIT |
|--------------|----------------------|--------|---------|
| 503 47 90-01 | SCREW | | 1 |
| 503 47 90-01 | SCREW | | 1 |
| 503 47 92-01 | SCREW | | 1 |
| 503 47 96-01 | SCREW | | 1 |
| 503 47 97-01 | VALVE | | 1 |
| 503 48 00-01 | PIN RETAINING SCREW | | 1 |
| 503 48 01-01 | SCREW | | 1 |
| 503 48 05-01 | SCREW | | 2 |
| 503 48 11-01 | PIECE | | 1 |
| 503 48 13-01 | STRAINER | | 1 |
| 503 48 18-01 | SCREW | | 1 |
| 503 53 56-01 | PLUG WELCH | | 1 |
| 503 66 59-01 | LEVER | | 1 |
| 503 97 43-01 | COVER | | 1 |
| 537 01 25-01 | BALL | | 1 |
| 537 01 26-01 | SPRING | | 1 |
| 537 02 00-01 | DIAPHRAGM PUMP | | 1 |
| 537 02 01-01 | GASKET | | 1 |
| 537 02 03-01 | SPRING | | 1 |
| 537 02 04-01 | GASKET | | 1 |
| 537 02 07-01 | SCREW | | 1 |
| 537 02 11-01 | VALVE | | 1 |
| 537 04 89-01 | DIAPHRAGM | | 1 |
| 537 38 52-01 | CLIP | | 1 |
| 537 38 73-01 | NOZZLE ASSY | | 1 |
| 537 38 74-01 | SHAFT ASSY | | 1 |
| 537 38 75-01 | SCREW | | 1 |
| 537 41 68-01 | COVER | | 1 |
| 537 41 69-01 | SCREW | | 1 |
| 537 41 70-01 | LIMITER CAP | | 1 |
| 537 41 70-01 | LIMITER CAP | | 1 |
| 537 41 72-01 | VALVE | | 1 |
| 537 41 73-01 | LEVER | | 1 |
| 537 41 74-01 | LEVER | | 1 |
| 537 41 77-01 | COLLAR | | 1 |
| 537 41 78-01 | SPRING THROTT.RETURN | | 1 |
| 544 32 56-01 | CARBURETTOR | | 1 |
| 544 37 22-01 | SHAFT ASSY | | 1 |
| 544 37 23-01 | LEVER | | 1 |
| 544 37 24-01 | SPRING | | 1 |
| 544 37 25-01 | LEVER | | 1 |
| 544 37 26-01 | SPRING | | 1 |
| 544 42 70-01 | COLLAR | | 1 |

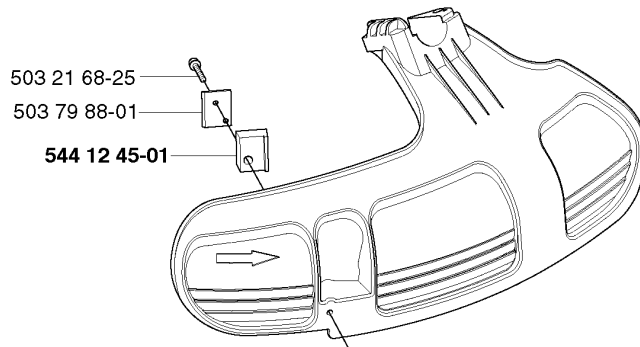
U *compl 537 38 77-01 (333R, 335Rx)



*compl 537 33 16-01 (333R, 335Rx)
 **compl 537 33 16-03 (333RJ, 335Lx, 335RJx)



*compl 537 34 94-03



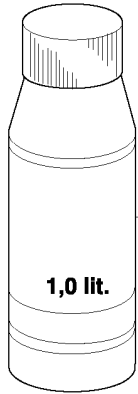
GUARDS

333 R, 2006-10

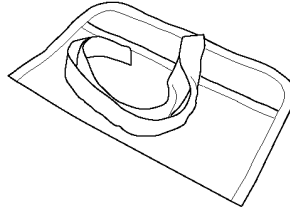
| Part No | Description | Remark | QTY KIT |
|--------------|---------------|--------|---------|
| 503 20 02-16 | SCREW IHSCFM | | 1 |
| 503 21 07-16 | SCREW IHSCFT | | 1 |
| 503 21 68-25 | SCREW IHSCFT | | 1 |
| 503 79 88-01 | BLADE | | 1 |
| 537 21 71-04 | BLADE GUARD | | 1 |
| 537 33 16-01 | COMBI GUARD | | 1 |
| 537 33 16-03 | SPLASH GUARD | | 1 |
| 537 34 94-03 | TRIMMER GUARD | | 1 |
| 537 36 10-01 | ADAPTER | | 1 |
| 537 36 11-01 | CLAMP | | 1 |
| 537 38 72-01 | SNAP LOCKING | | 4 |
| 537 38 77-01 | BLADE GUARD | | 1 |
| 537 39 63-01 | SPLASH GUARD | | 1 |
| 537 39 63-03 | SPLASH GUARD | | 1 |
| 544 12 45-01 | RETAINER | | 1 |

V Accessories
Zubehöre
Accessoires
Accesorios
Tillbehör

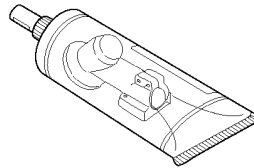
Oil Airfilter
Öl Luftfilter
Huile Filtraire
Aceite Filtro Air
Olja Luftfilter



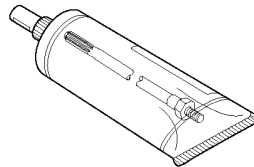
531 00 92-48



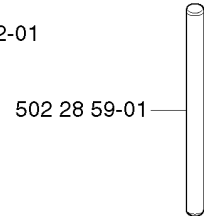
501 19 22-01



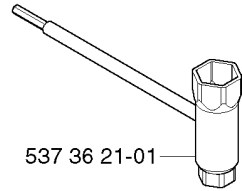
503 97 64-01



503 80 17-01

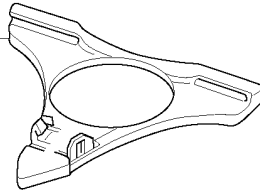


502 28 59-01

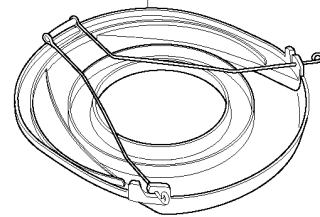


537 36 21-01

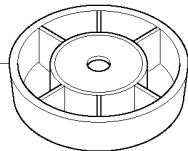
(300mm) 502 26 23-01



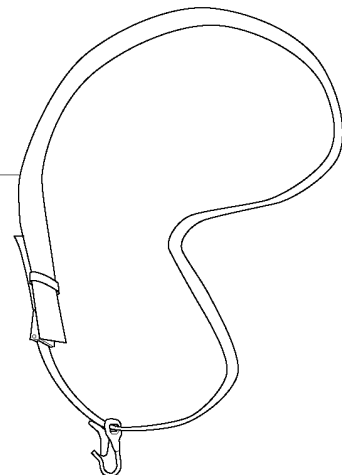
537 31 29-01 (200-275 mm)



503 89 01-02



537 21 62-01
USA 537 21 62-02

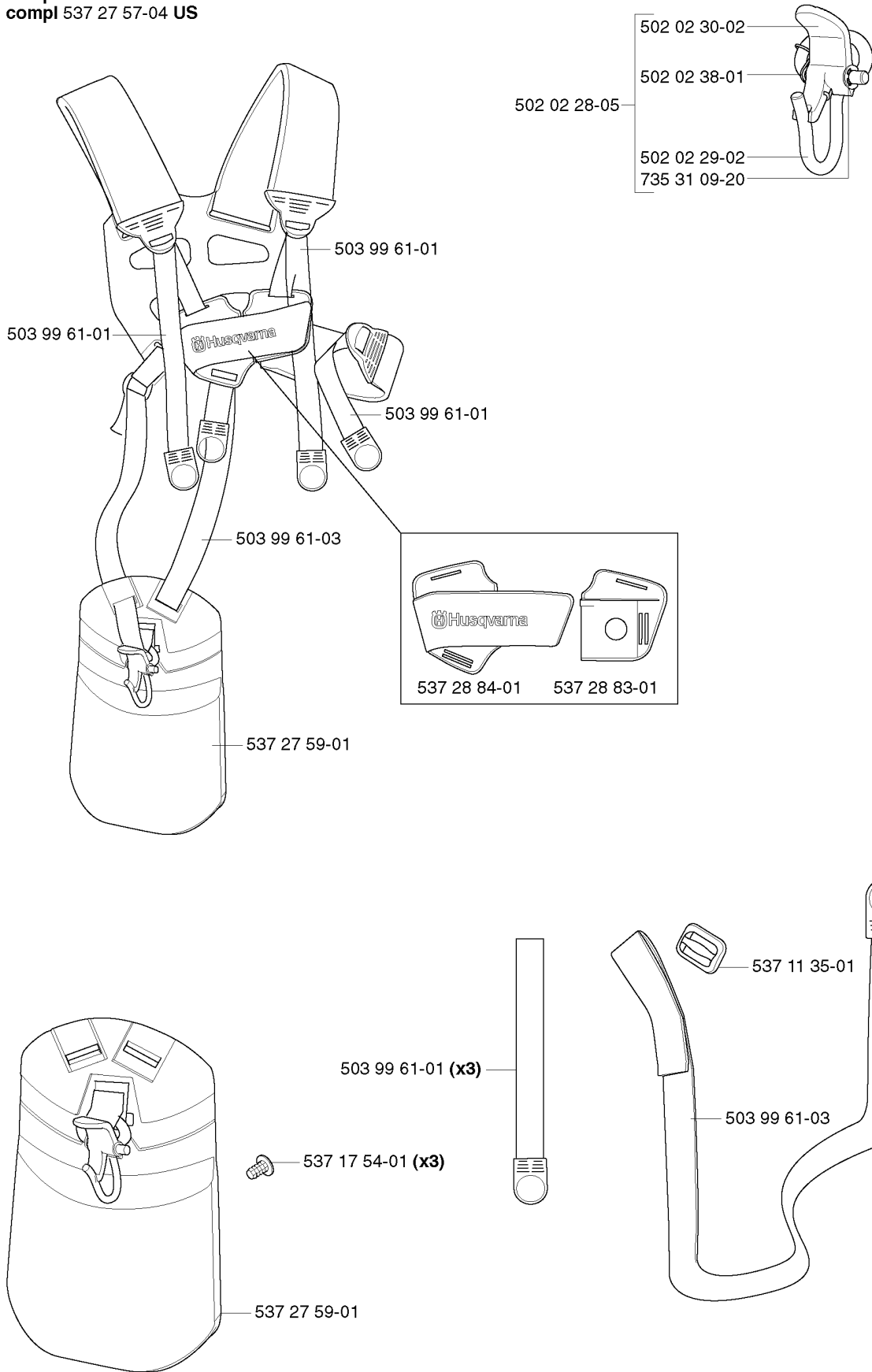


ACCESSORIES

333 R, 2006-10

| Part No | Description | Remark | QTY KIT |
|--------------|--------------------|--------|---------|
| 501 19 22-01 | TOOL | | 1 |
| 502 26 23-01 | TRANSPORT GUARD | | 1 |
| 502 28 59-01 | STOP | | 1 |
| 503 80 17-01 | GREASE | | 1 |
| 503 89 01-02 | SUPPORT CUP | | 1 |
| 503 97 64-01 | GREASE | | 1 |
| 531 00 92-48 | FILTER OIL | | 1 |
| 537 21 62-01 | HARNESS | | 1 |
| 537 21 62-02 | HARNESS | | 1 |
| 537 31 29-01 | TRANSPORT GUARD | | 1 |
| 537 36 21-01 | COMBINATION WRENCH | | 1 |

X Duo Balance
compl 537 27 57-02
compl 537 27 57-04 US



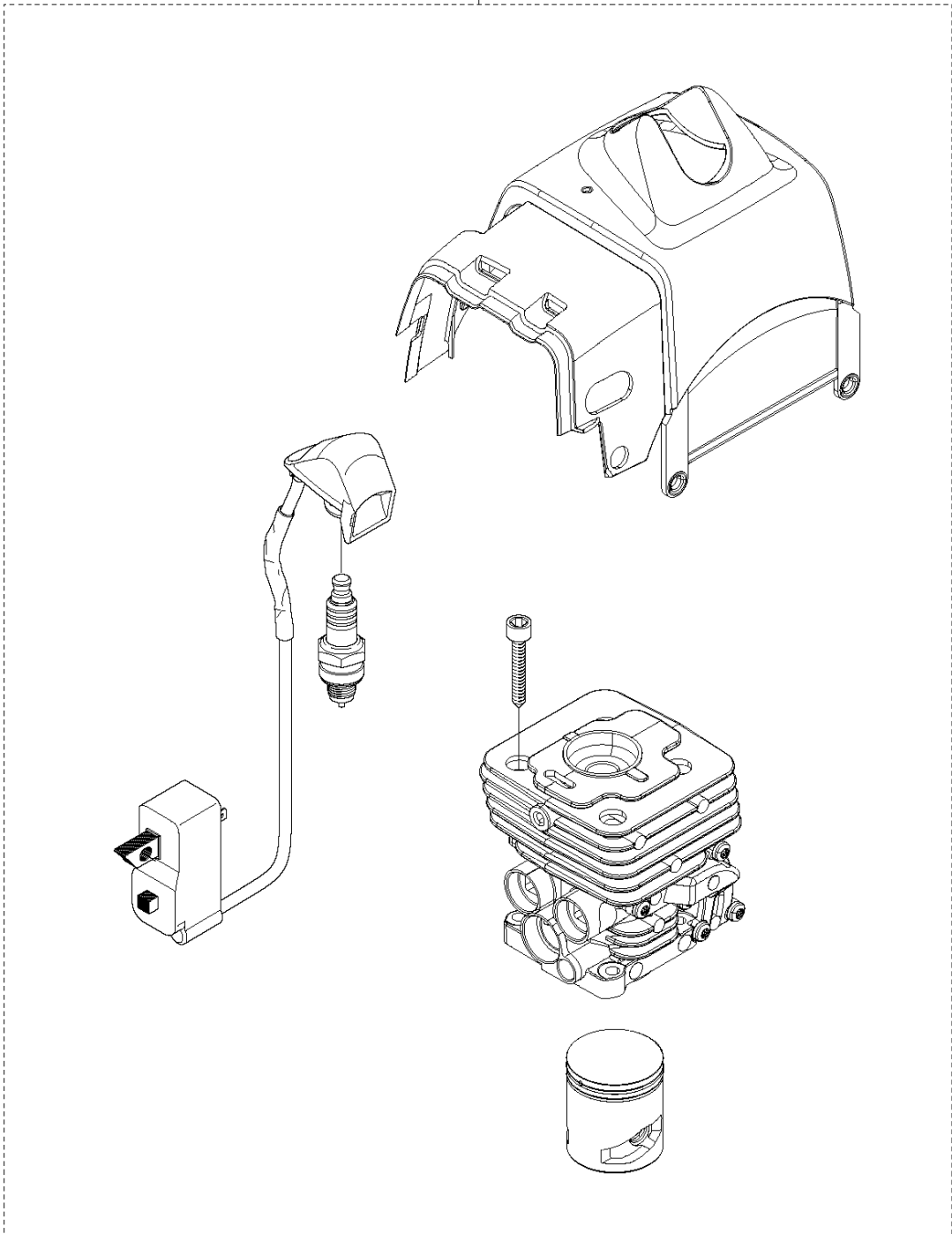
HARNES

333 R, 2006-10

| Part No | Description | Remark | QTY KIT |
|--------------|-------------|--------|---------|
| 502 02 28-05 | WELT HOOK | | 1 |
| 502 02 29-02 | HOOK | | 1 |
| 502 02 30-02 | LOCK | | 1 |
| 502 02 38-01 | SPRING | | 1 |
| 503 99 61-01 | BAND | | 3 |
| 503 99 61-01 | BAND | | 1 |
| 503 99 61-01 | BAND | | 1 |
| 503 99 61-01 | BAND | | 1 |
| 503 99 61-03 | BAND | | 1 |
| 503 99 61-03 | BAND | | 1 |
| 537 11 35-01 | RETAINER | | 1 |
| 537 17 54-01 | HIP PAD | | 3 |
| 537 27 57-02 | HARNES | | 1 |
| 537 27 57-04 | HARNES | | 1 |
| 537 27 59-01 | HIP PAD | | 1 |
| 537 27 59-01 | HIP PAD | | 1 |
| 537 28 83-01 | FRONT PIECE | | 1 |
| 537 28 84-01 | FRONT PIECE | | 1 |
| 735 31 09-20 | E-CLIP | | 1 |

CYLINDER KIT

1



CYLINDER KIT

333 R, 2006-10

| Ref | Part No | Description | Remark | QTY KIT |
|-----|--------------|-------------|--------|---------|
| 1 | 505 41 17-01 | KIT | | 1 |