

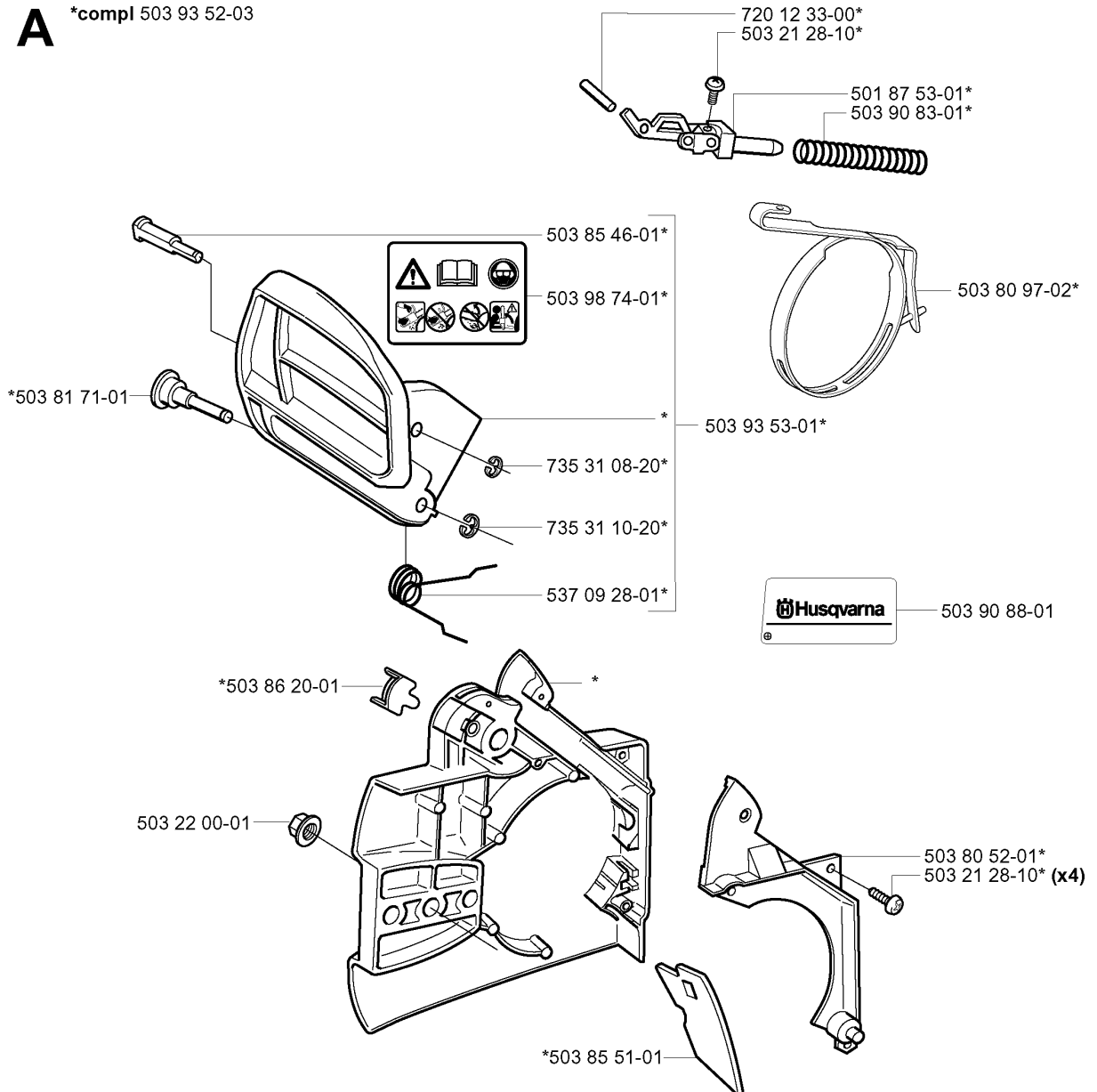


SPARE PARTS LIST

CHAIN SAWS

338 XPT, 2003-05

A *compl 503 93 52-03

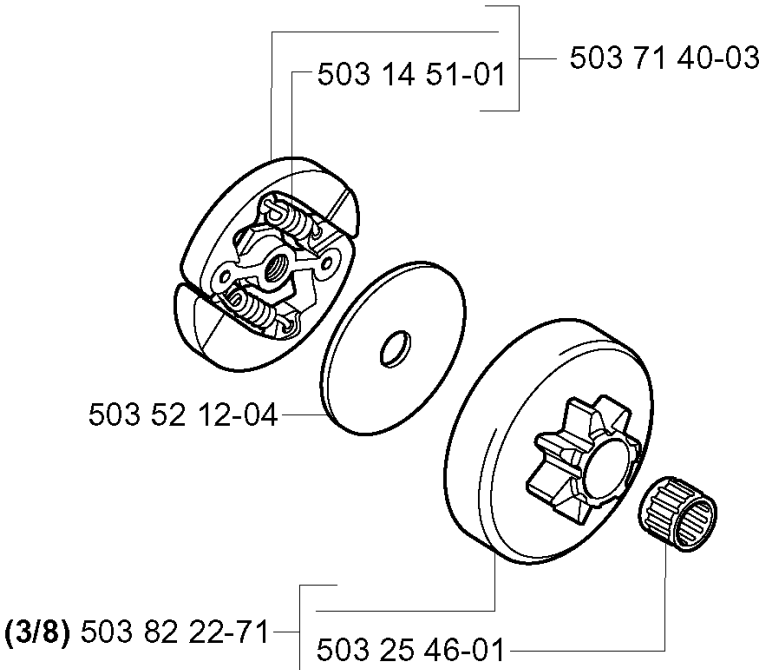


CHAIN BRAKE

338 XPT, 2003-05

Part No	Description	Remark	QTY KIT
501 87 53-01	KNEE JOINT ASSY		1
503 21 28-10	SCREW CCRPANT		4
503 21 28-10	SCREW CCRPANT		1
503 22 00-01	HEXAGON NUT		1
503 80 52-01	HUB CAP		1
503 80 97-02	BRAKE BAND ASSY		1
503 81 71-01	SHAFT PIVOT		1
503 85 46-01	PIVOT PIN		1
503 85 51-01	CHIP GUARD		1
503 86 20-01	SPRING GUIDE		1
503 90 83-01	BRAKE SPRING		1
503 90 88-01	LABEL		1
503 93 52-03	BRAKE ASSY		1
503 93 53-01	HAND GUARD ASSY		1
503 98 74-01	LABEL		1
537 09 28-01	POSITION SPRING		1
720 12 33-00	PARALLEL PIN		1
735 31 08-20	E-CLIP		1
735 31 10-20	E-CLIP		1

B

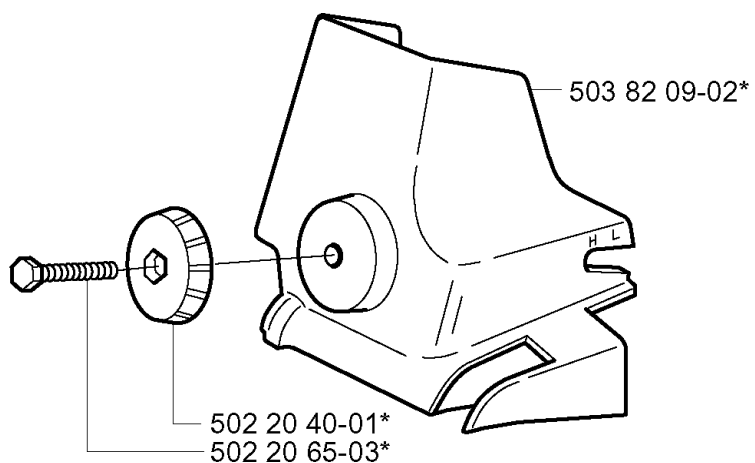


CLUTCH

338 XPT, 2003-05

Part No	Description	Remark	QTY KIT
503 14 51-01	CLUTCH SPRING		1
503 25 46-01	NEEDLE BEARING		1
503 52 12-04	WASHER		1
503 71 40-03	CLUTCH ASSY		1
503 82 22-71	CLUTCH DRUM ASSY	3/8	1

C *compl 503 79 26-02

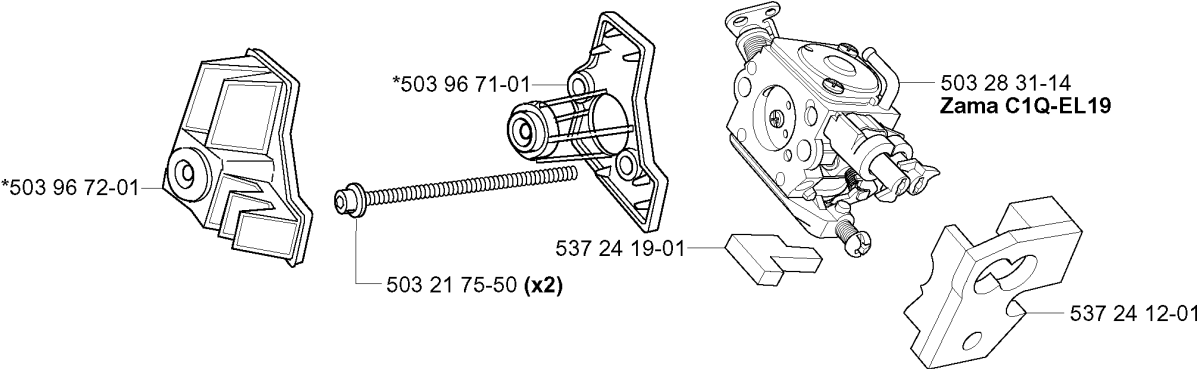


AIR FILTER COVER

338 XPT, 2003-05

Part No	Description	Remark	QTY KIT
502 20 40-01	KNOB		1
502 20 65-03	SCREW EHHM		1
503 79 26-02	AIR FILTER COVER		1
503 82 09-02	AIR FILTER COVER		1

D *compl 537 02 15-01

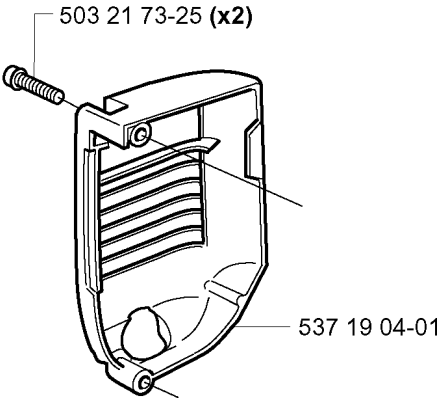
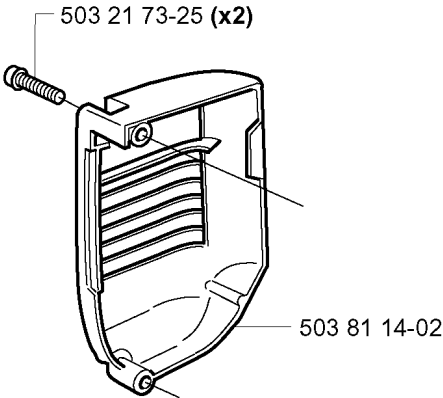


CARBURETOR

338 XPT, 2003-05

Part No	Description	Remark	QTY KIT
503 21 75-50	SCREW IHSCFT		2
503 28 31-14	CARBURETTOR	ZAMA C1Q-EL19	1
503 96 71-01	AIR FILTER BOTTOM		1
503 96 72-01	AIR FILTER		1
537 02 15-01	AIR FILTER ASSY		1
537 24 12-01	SEALING		1
537 24 19-01	SEALING		1

E

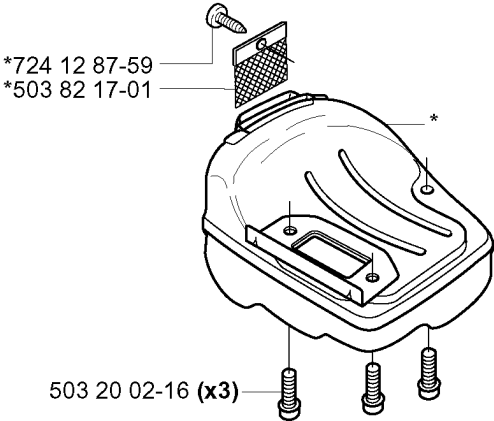


MUFFLER COVER

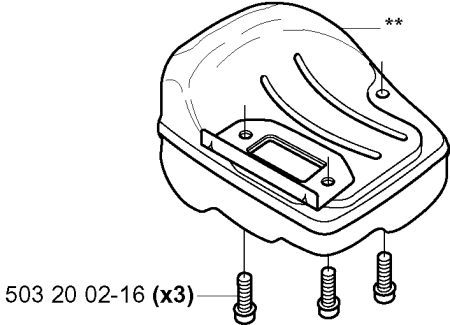
338 XPT, 2003-05

Part No	Description	Remark	QTY KIT
503 21 73-25	SCREW CIHSCTO		2
503 21 73-25	SCREW CIHSCTO		2
503 81 14-02	MUFFLER COVER		1
537 19 04-01	MUFFLER COVER		1

F *compl 503 93 03-03



**compl 537 19 50-01

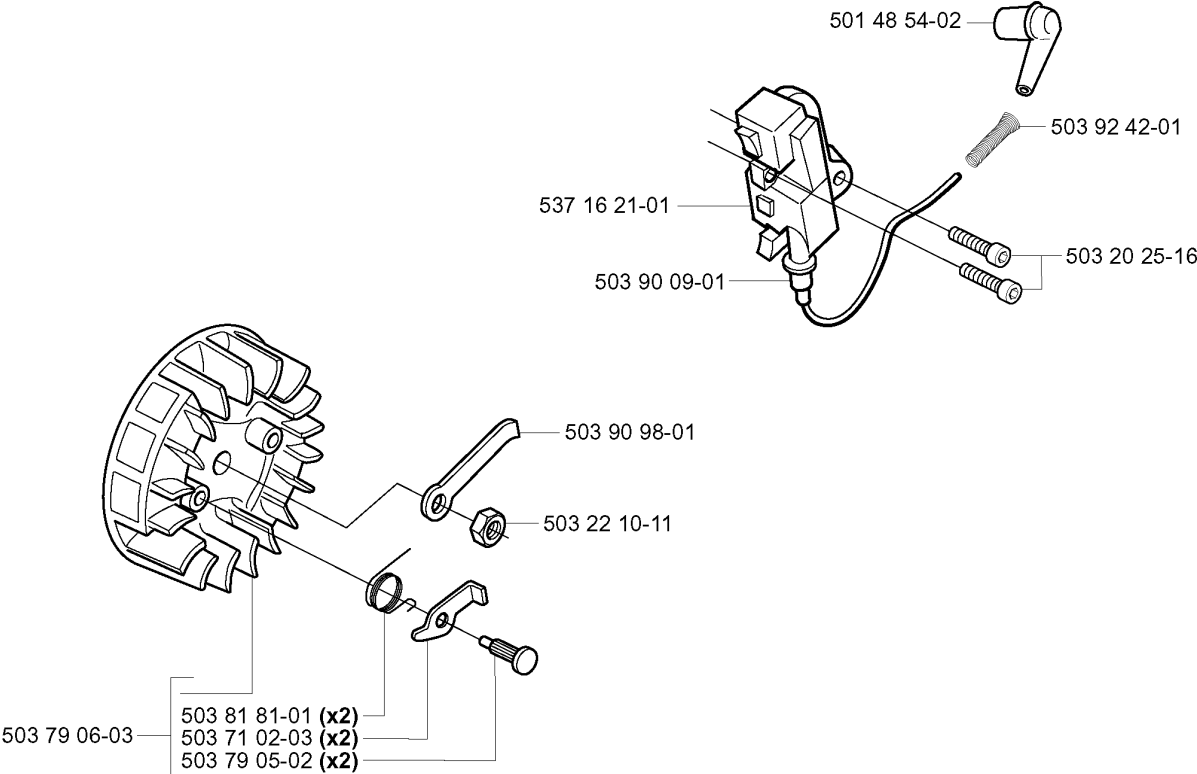


MUFFLER

338 XPT, 2003-05

Part No	Description	Remark	QTY KIT
503 20 02-16	SCREW IHSCFM		3
503 20 02-16	SCREW IHSCFM		3
503 82 17-01	SPARK ARRESTER SCREEN		1
503 93 03-03	MUFFLER ASSY		1
537 19 50-01	MUFFLER ASSY		1
724 12 87-59	SCREW CRPANM		1

G

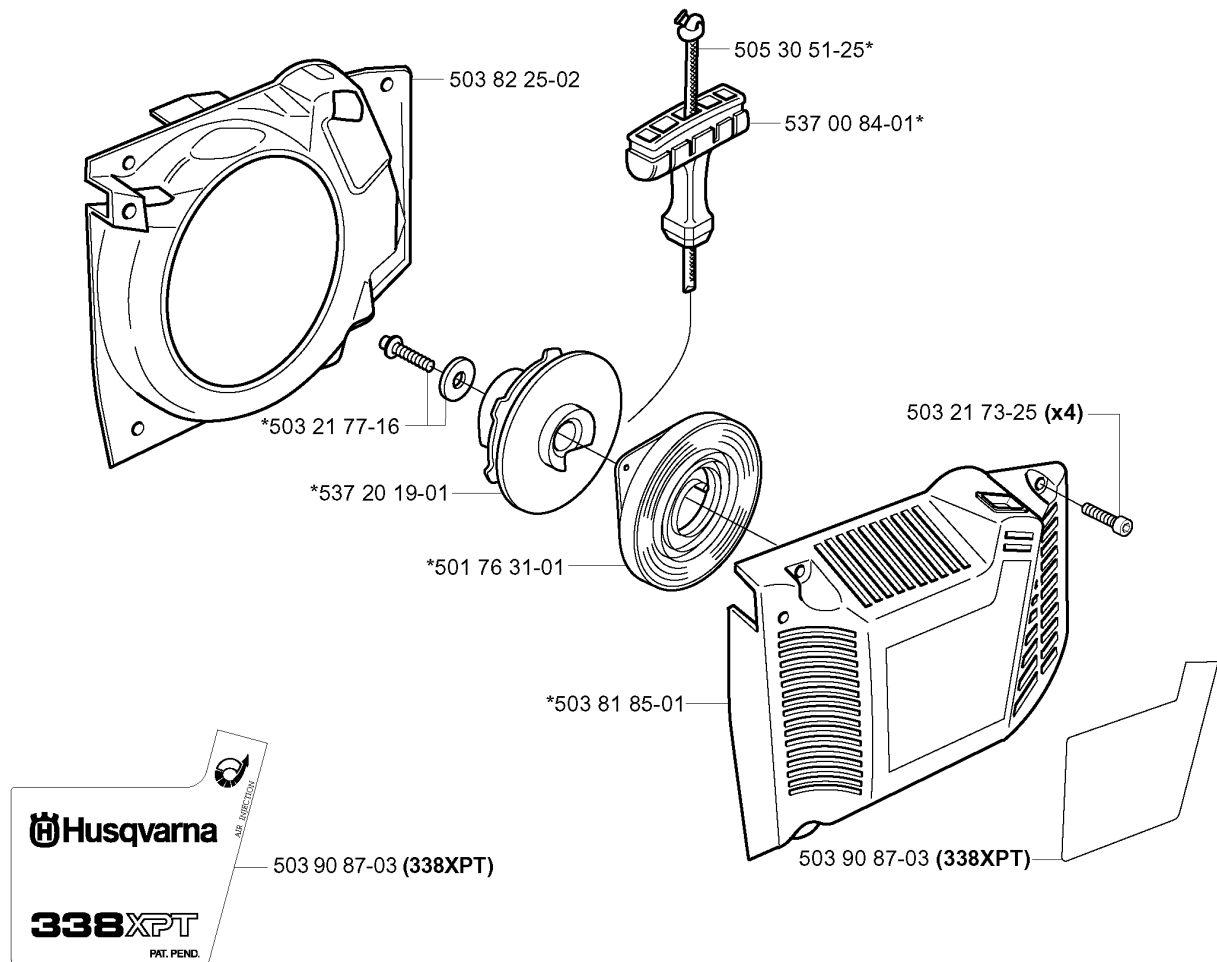


CYLINDER COVER

338 XPT, 2003-05

Part No	Description	Remark	QTY KIT
501 48 54-02	SPARK PLUG CAP		1
503 20 25-16	SCREW IHSCM		1
503 22 10-11	HEXAGON NUT		1
503 71 02-03	STARTER PAWL		2
503 79 05-02	RIVET		2
503 79 06-03	FLYWHEEL		1
503 81 81-01	SPRING		2
503 90 09-01	GUIDE		1
503 90 98-01	COUNTERWEIGHT		1
503 92 42-01	CABLE COVER		1
537 16 21-01	IGNITION SYSTEM		1

H *compl 503 79 25-01



STARTER

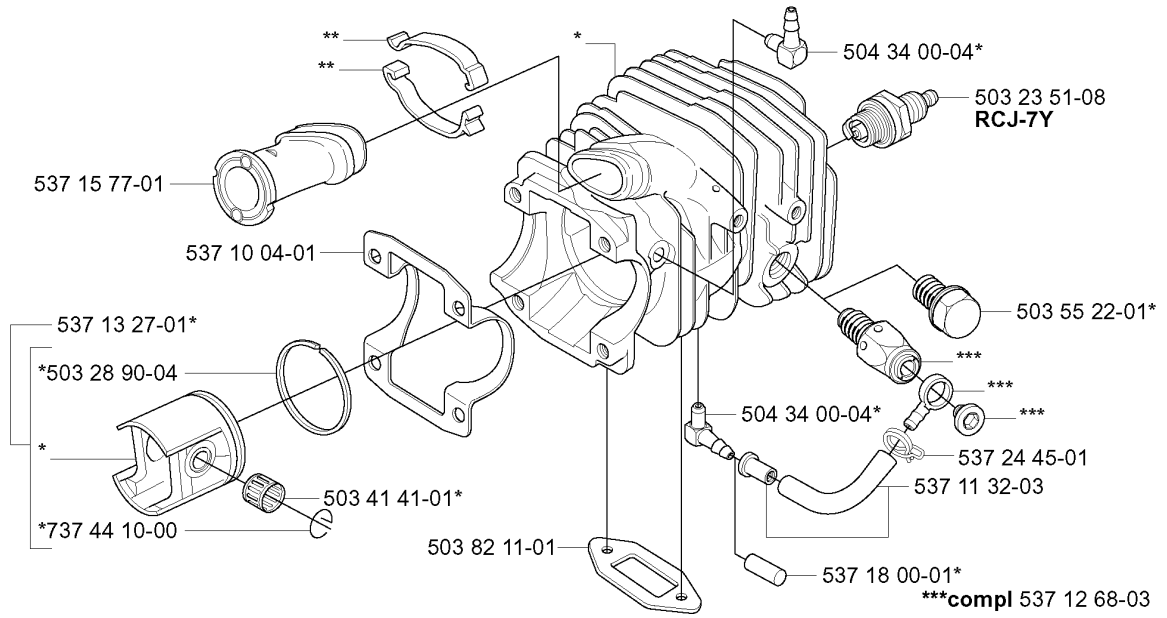
338 XPT, 2003-05

Part No	Description	Remark	QTY KIT
501 76 31-01	SPRING CASSETTE ASSY		1
503 21 73-25	SCREW CIHSCTO		4
503 21 77-16	SCREW IHSCT		1
503 79 25-01	STARTER ASSY		1
503 81 85-01	STARTER HOUSING		1
503 82 25-02	BAR		1
503 90 87-03	LABEL	338XPT	1
503 90 87-03	LABEL	338XPT	1
505 30 51-25	STARTER CORD		1
537 00 84-01	STARTER HANDLE		1
537 20 19-01	STARTER PULLEY		1

J

*compl 537 13 20-01

**compl 537 16 73-01

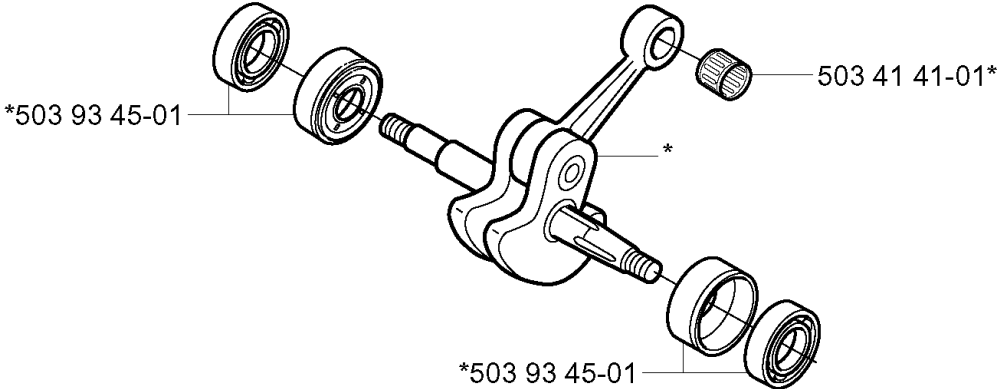


CYLINDER PISTON

338 XPT, 2003-05

Part No	Description	Remark	QTY KIT
503 23 51-08	SPARK PLUG	RCJ-7Y	1
503 28 90-04	PISTON RING		1
503 41 41-01	NEEDLE BEARING		1
503 55 22-01	PLUG		1
503 82 11-01	GASKET		1
504 34 00-04	FITTING		1
504 34 00-04	FITTING		1
537 10 04-01	GASKET		1
537 11 32-03	HOSE ASSY		1
537 12 68-03	KIT		1
537 13 20-01	CYLINDER		1
537 13 27-01	PISTON		1
537 15 77-01	INLET PIPE		1
537 16 73-01	CLIP		1
537 18 00-01	PROTECTIVE CAP		1
537 24 45-01	HOSE CLAMP		1
737 44 10-00	SNAP RING		1

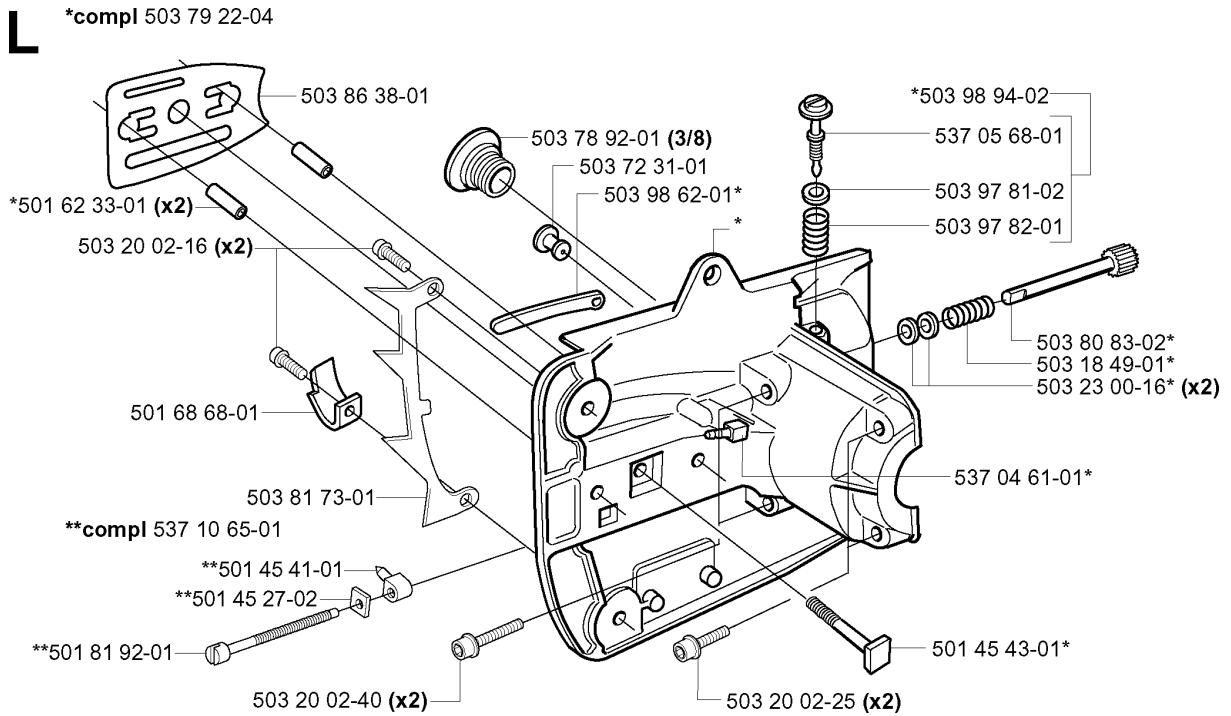
K *compl 503 84 53-72



CRANKSHAFT

338 XPT, 2003-05

Part No	Description	Remark	QTY KIT
503 41 41-01	NEEDLE BEARING		1
503 84 53-72	CRANKSHAFT ASSY		1
503 93 45-01	BEARING CAGE		1
503 93 45-01	BEARING CAGE		1



CRANKCASE

338 XPT, 2003-05

Part No	Description	Remark	QTY KIT
501 45 27-02	LOCK NUT		1
501 45 41-01	NUT		1
501 45 43-01	BAR BOLT		1
501 62 33-01	SPRING PIN		2
501 68 68-01	CHAIN CATCHER		1
501 81 92-01	SCREW		1
503 18 49-01	SPRING		1
503 20 02-16	SCREW IHSCFM		2
503 20 02-25	SCREW IHSCFM		2
503 20 02-40	SCREW IHSCFM		2
503 23 00-16	WASHER		2
503 72 31-01	BUSHING		1
503 78 92-01	PUMP PINION	3/8	1
503 79 22-04	CRANKCASE ASSY		1
503 80 83-02	PUMP PISTON		1
503 81 73-01	SPIKE		1
503 86 38-01	COVER PLATE		1
503 97 81-02	STOP WASHER		1
503 97 82-01	SPRING		1
503 98 62-01	SEALING		1
503 98 94-02	KIT		1
537 04 61-01	NIPPLE		1
537 05 68-01	ADJUSTER		1
537 10 65-01	KIT		1

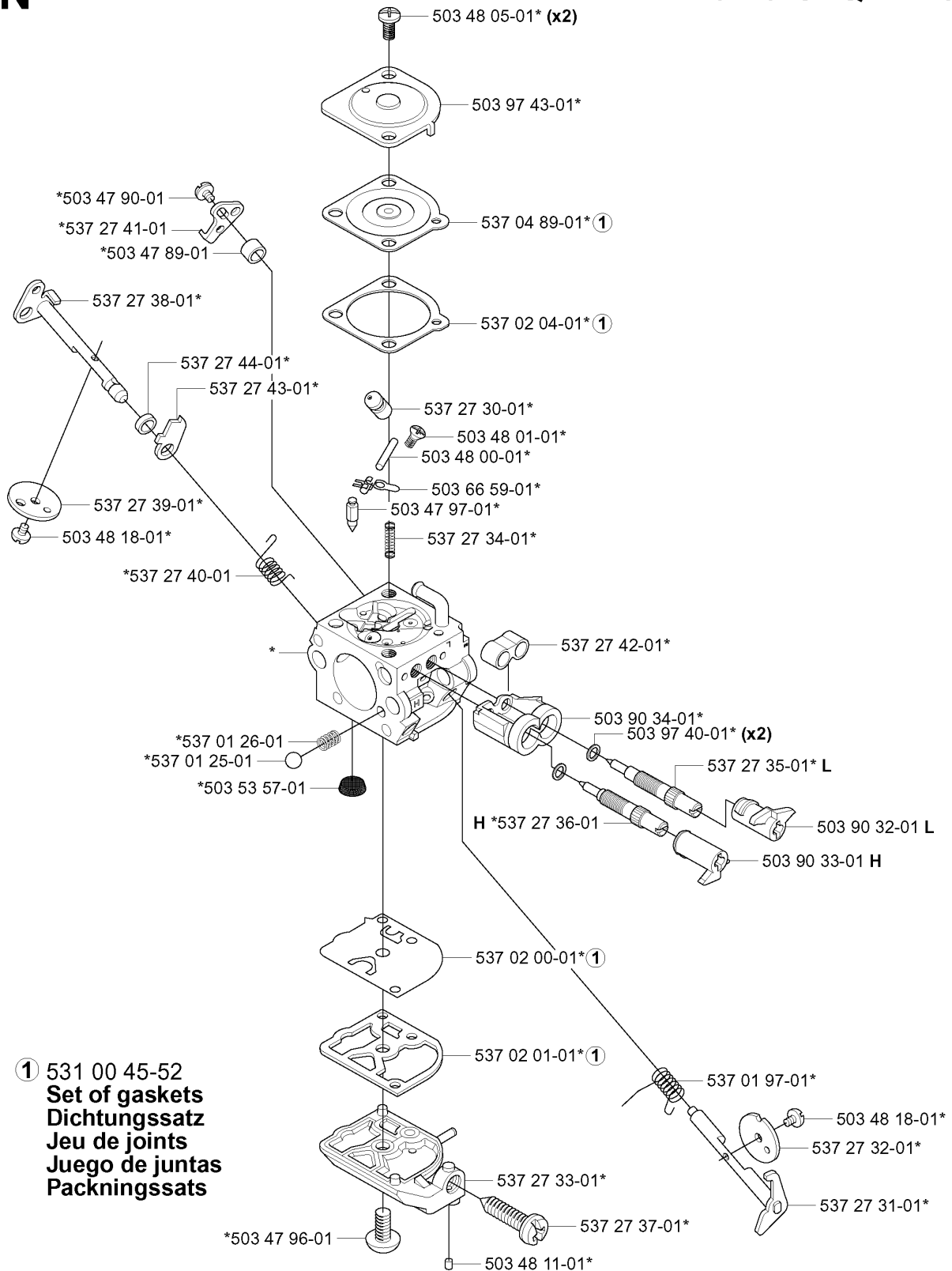
FUEL TANK & HANDLE

338 XPT, 2003-05

Part No	Description	Remark	QTY KIT
501 62 98-01	VALVE PLUG		1
501 81 96-02	TANK CAP ASSY		1
501 81 96-04	TANK CAP ASSY		1
503 20 02-16	SCREW IHSCFM		1
503 20 02-16	SCREW IHSCFM		1
503 20 02-16	SCREW IHSCFM		1
503 21 28-10	SCREW CCRPANT		1
503 21 88-30	SCREW IHST		2
503 26 30-17	O-RING		1
503 26 30-17	O-RING		1
503 44 32-01	FUEL FILTER		1
503 57 76-02	FUEL HOSE		1
503 57 76-02	FUEL HOSE		1
503 57 89-01	HOLDER		1
503 57 89-01	HOLDER		1
503 60 04-01	FILTER PLUG		1
503 73 58-01	BUSHING		1
503 81 32-01	THROTTLE TRIGGER		1
503 81 33-01	THROTTLE LOCKOUT		1
503 81 34-01	CHOKE		1
503 81 35-01	PLATE		1
503 81 69-01	FRONT HANDLE		1
503 82 27-02	CHOKE ROD		1
503 82 28-01	THROTTLE ROD		1
503 82 33-02	ANTIVIBRATION ELEMENT		1
503 84 26-01	IMPULSE HOSE		1
503 85 13-01	SPRING		1
503 85 38-04	ANTIVIBRATION ELEMENT		2
503 92 96-01	SPRING		1
503 93 66-01	PURGE		1
503 96 32-01	WIRING		1
503 96 75-01	OIL PLUMMET		1
503 98 13-01	PLUG		1
530 02 61-19	CHECK VALVE		1
537 04 24-08	FUEL HOSE		1
537 04 24-09	FUEL HOSE		1
537 08 93-02	SPARK PLUG COVER ASS		1
544 11 09-04	TANK UNIT ASSY		1
720 12 40-20	PARALLEL PIN		1
720 12 46-20	PARALLEL PIN		1
729 56 55-01	SCREW CCRPANT		1

N *compl 503 28 31-14

Zama C1Q-EL19

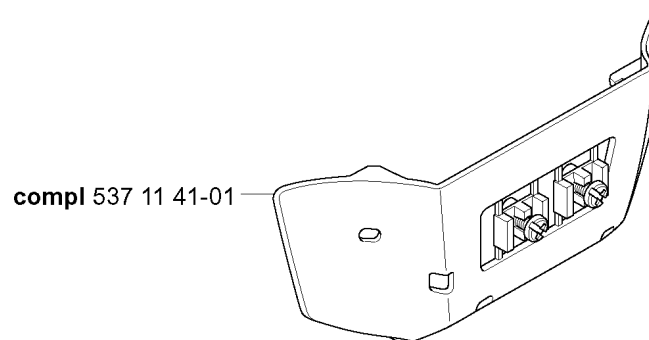
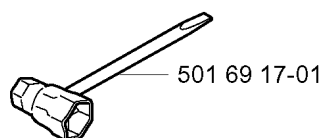
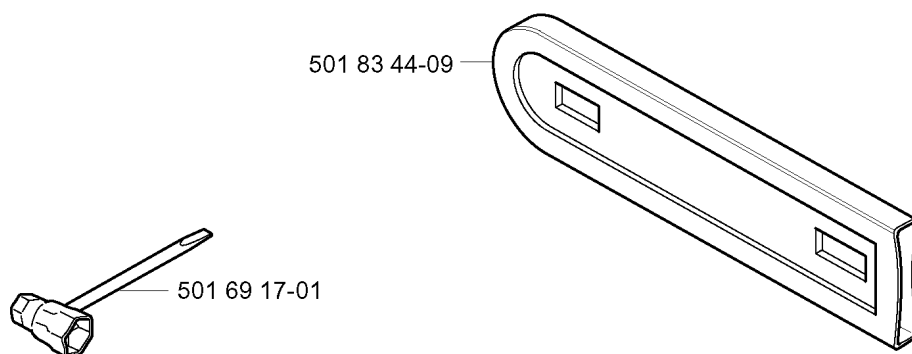


CARBURETOR DETAILS

338 XPT, 2003-05

Part No	Description	Remark	QTY KIT
503 28 31-14	CARBURETTOR		1
503 47 89-01	COLLAR		1
503 47 90-01	SCREW		1
503 47 96-01	SCREW		1
503 47 97-01	VALVE		1
503 48 00-01	PIN RETAINING SCREW		1
503 48 01-01	SCREW		1
503 48 05-01	SCREW		2
503 48 11-01	PIECE		1
503 48 18-01	SCREW		1
503 48 18-01	SCREW		1
503 53 57-01	STRAINER		1
503 66 59-01	LEVER		1
503 90 32-01	LIMITER CAP	L	1
503 90 33-01	LIMITER CAP	H	1
503 90 34-01	RETAINER		1
503 97 40-01	WASHER		2
503 97 43-01	COVER		1
537 01 25-01	BALL		1
537 01 26-01	SPRING		1
537 01 97-01	SPRING		1
537 02 00-01	DIAPHRAGM PUMP	531 00 45-52 SET OF GASKETS	1
537 02 01-01	GASKET	531 00 45-52 SET OF GASKETS	1
537 02 04-01	GASKET	531 00 45-52 SET OF GASKETS	1
537 04 89-01	DIAPHRAGM	531 00 45-52 SET OF GASKETS	1
537 27 30-01	NOZZLE ASSY		1
537 27 31-01	SHAFT ASSY		1
537 27 32-01	VALVE		1
537 27 33-01	COVER		1
537 27 34-01	SPRING		1
537 27 35-01	SCREW	L	1
537 27 36-01	SCREW	H	1
537 27 37-01	SCREW		1
537 27 38-01	SHAFT ASSY		1
537 27 39-01	VALVE		1
537 27 40-01	SPRING		1
537 27 41-01	LEVER		1
537 27 42-01	BOOT		1
537 27 43-01	LEVER		1
537 27 44-01	COLLAR		1

P Accessories
Zubehöre
Accessoires
Acessorios
Tillbehör



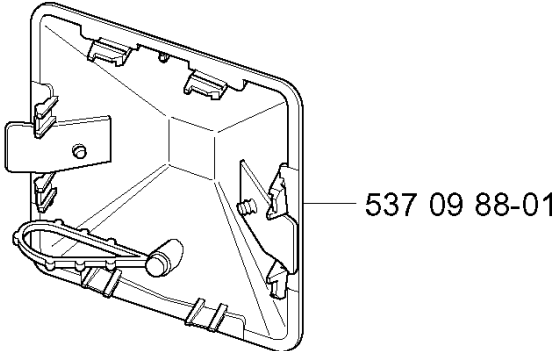
ACCESSORIES

338 XPT, 2003-05

Part No	Description	Remark	QTY KIT
501 69 17-01	COMBINATION WRENCH		1
501 83 44-09	BAR COVER		1
537 11 41-01	WINTER COVER ASSY		1



**Up to:
-001200207**



SERVICE UPDATES

338 XPT, 2003-05

Part No	Description	Remark	QTY KIT
537 09 88-01	SPARK PLUG COVER ASS		1