

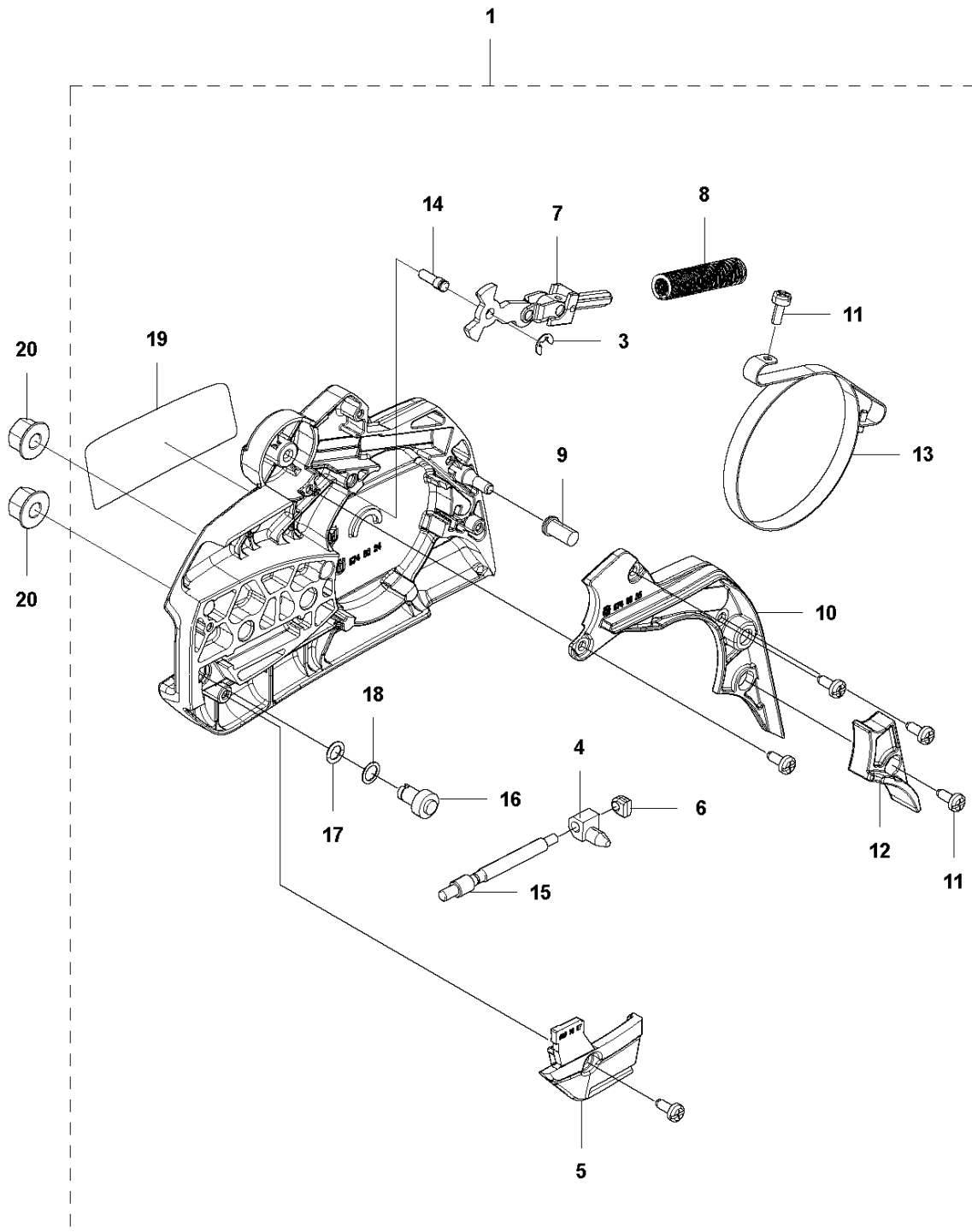


# SPARE PARTS LIST

CHAIN SAWS

465 RANCHER II,

**A** 465 Rancher II  
CHAIN BRAKE

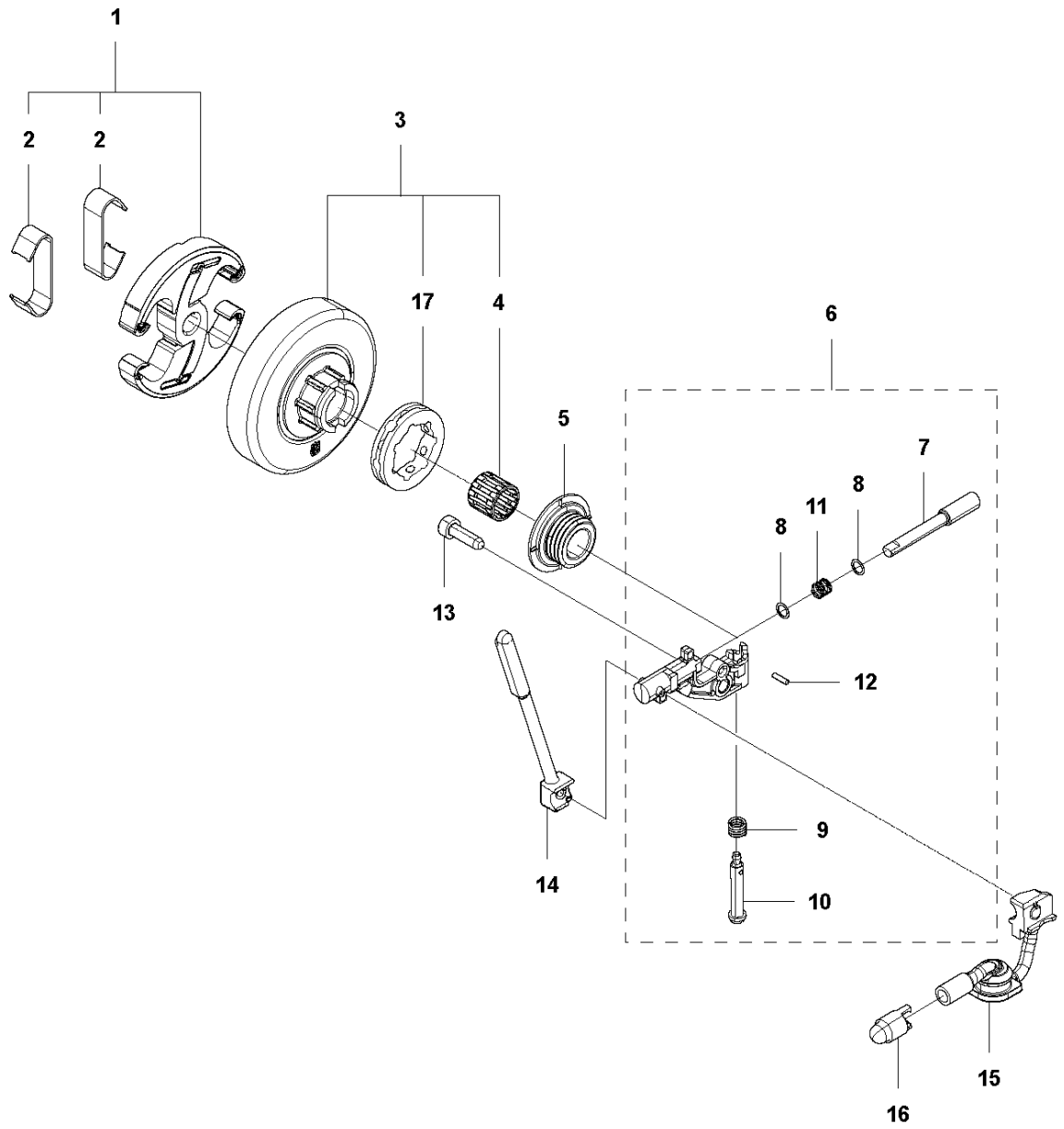


## CHAIN BRAKE

465 RANCHER II,

Ref	Part No	Description	Remark	QTY	KIT
1	574 60 35-01	CLUTCH COVER ASSY		1	
3	735 31 08-20	E-CLIP		1	1
4	503 99 83-01	PAWL		1	1
5	525 38 87-01	CHAIN GUIDE		1	1
6	537 01 74-01	BEARING SLEEVE		1	1
7	503 89 08-02	KNEE JOINT ASSY		1	1
8	503 46 59-01	BRAKE SPRING		1	1
9	503 85 52-01	GUIDE BUSHING		1	1
10	574 60 25-01	COVER LID		1	1
11	503 21 70-10	SCREW CCRPANT		6	1
12	574 60 26-01	WEAR PROTECTION		1	1
13	537 04 30-01	BRAKE BAND ASSY		1	1
14	503 89 29-01	PIN KNEE-JOINT		1	1
15	575 64 58-01	WORM SCREW		1	1
16	537 07 94-03	WORM WHEEL		1	1
17	740 48 07-02	O-RING		1	1
18	503 23 00-63	WASHER		1	1
19	537 29 86-01	LABEL		1	1
20	503 22 00-01	HEXAGON NUT		2	

**B** 465 Rancher II  
CLUTCH & OIL PUMP

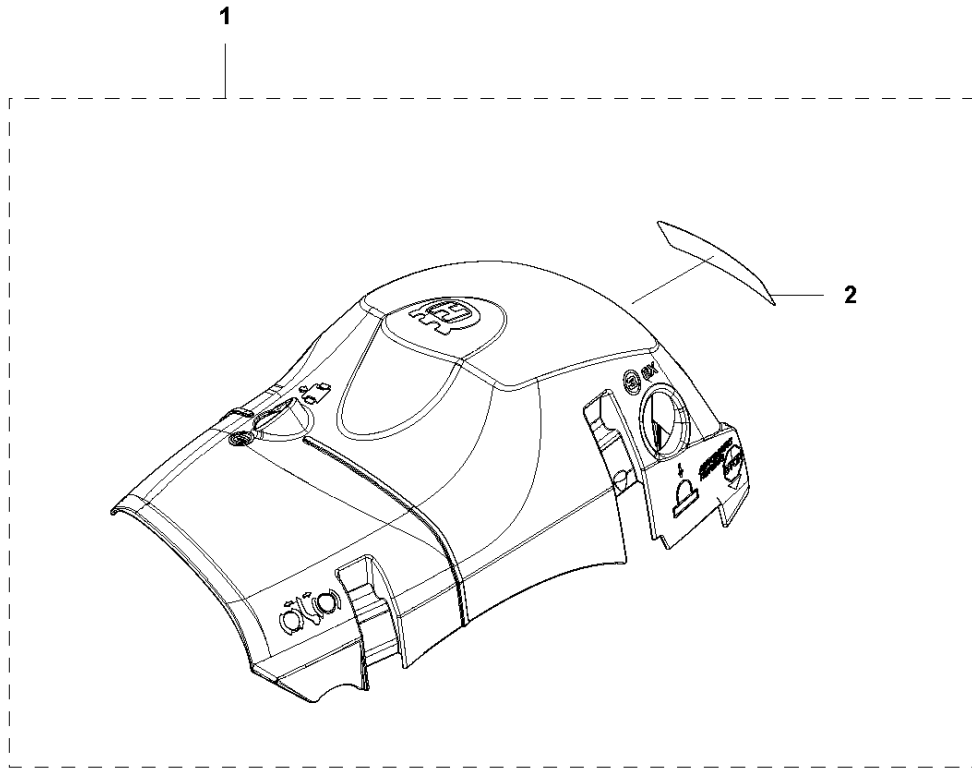


## CLUTCH &amp; OIL PUMP

465 RANCHER II,

Ref	Part No	Description	Remark	QTY	KIT
1	537 11 05-03	CLUTCH ASSY		1	
2	537 35 91-01	CLUTCH SPRING		2	1
3	577 76 95-01	CLUTCH DRUM		1	
4	503 25 52-01	NEEDLE BEARING		1	3
5	537 25 26-01	PUMP PINION		1	
6	544 18 01-04	OIL PUMP ASSY		1	
7	537 06 93-02	PUMP PISTON		1	6
8	503 23 00-60	WASHER		2	6
9	503 89 16-01	SPRING		1	6
10	537 02 71-01	ADJUSTER		1	6
11	503 89 15-01	SPRING		1	6
12	721 11 64-30	GROOVED PIN		1	6
13	503 21 74-16	SCREW IHST		1	
14	575 56 28-01	OIL PRESSURE HOSE		1	
15	576 99 85-01	OIL HOSE		1	
16	510 04 43-01	OIL SCREEN		1	
17	501 59 80-02	RIM		1	3

**C** 465 Rancher II  
CYLINDER COVER

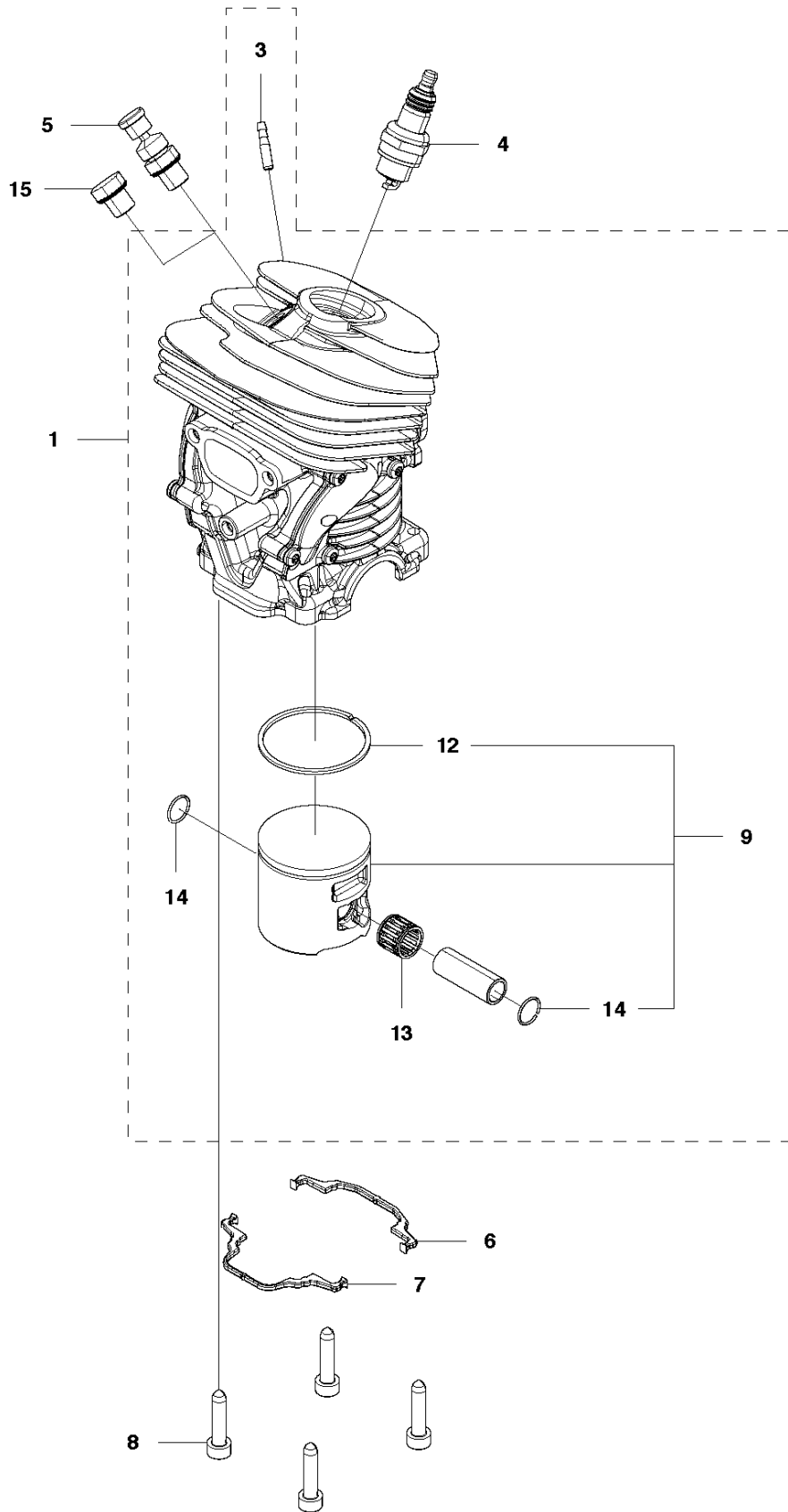


CYLINDER COVER

465 RANCHER II,

Ref	Part No	Description	Remark	QTY	KIT
1	577 77 59-01	CYLINDER COVER		1	
2	522 70 92-01	LABEL		1	1

**D** 465 Rancher II  
CYLINDER PISTON



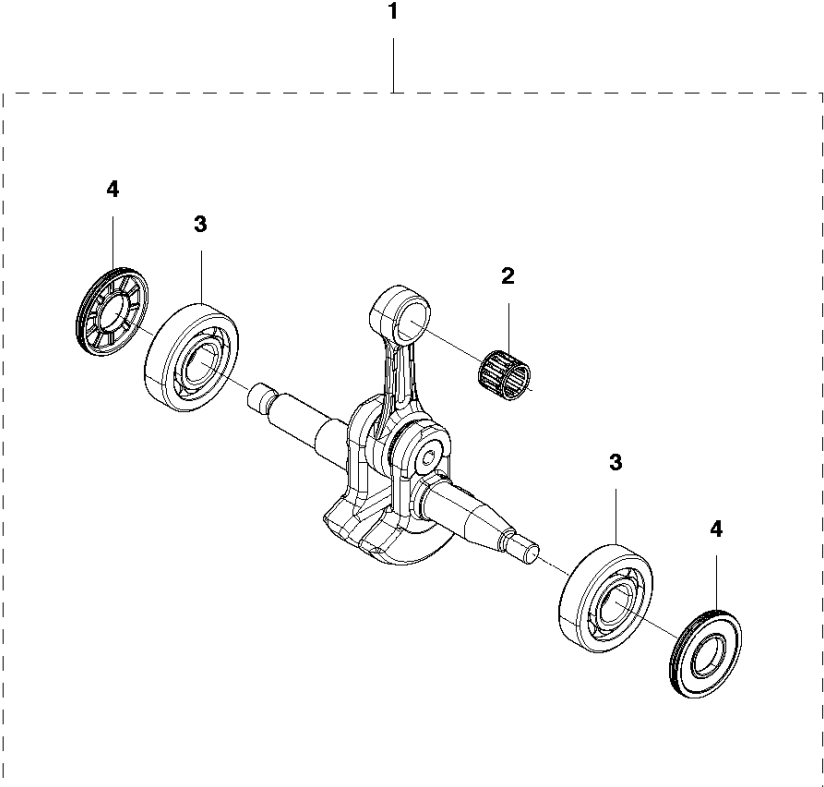


## CYLINDER PISTON

465 RANCHER II,

Ref	Part No	Description	Remark	QTY	KIT
1	578 06 85-01	CYLINDER-PISTON ASSY		1	
3	503 42 43-01	IMPULSE NIPPLE		1	1
4	503 23 51-11	SPARK PLUG		1	
5	585 23 63-01	DECOMPRESSION VALVE		1	
6	537 24 58-01	GASKET		1	
7	537 24 57-01	GASKET		1	
8	503 20 05-27	SCREW IHSCM		4	
9	586 74 16-02	PISTON ASSY		1	1
12	586 74 18-01	PISTON RING		1	1, 9
13	501 86 18-01	NEEDLE BEARING		1	1
14	737 44 12-00	SNAP RING		2	1, 9
15	503 55 22-01	PLUG		1	

**E** 465 Rancher II  
CRANKSHAFT

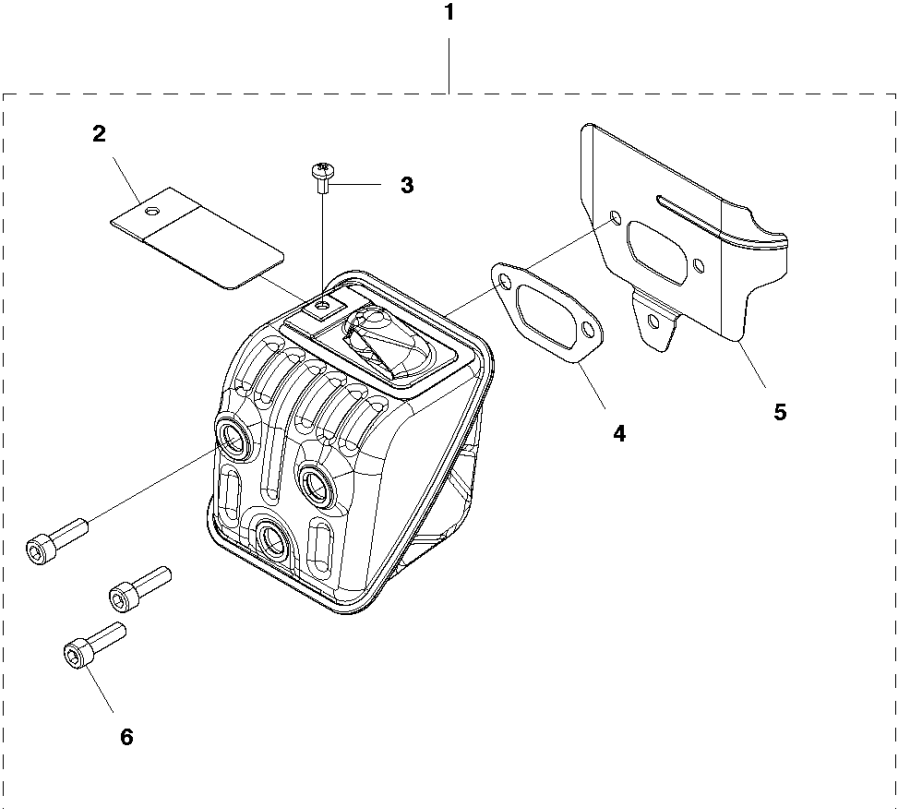


CRANKSHAFT

465 RANCHER II,

Ref	Part No	Description	Remark	QTY KIT	
1	578 09 03-01	CRANKSHAFT ASSY		1	
2	501 86 18-01	NEEDLE BEARING		1	1
3	503 25 16-02	BALL BEARING		2	1
4	503 26 19-01	SEALING		2	1

**F** 465 Rancher II  
MUFFLER

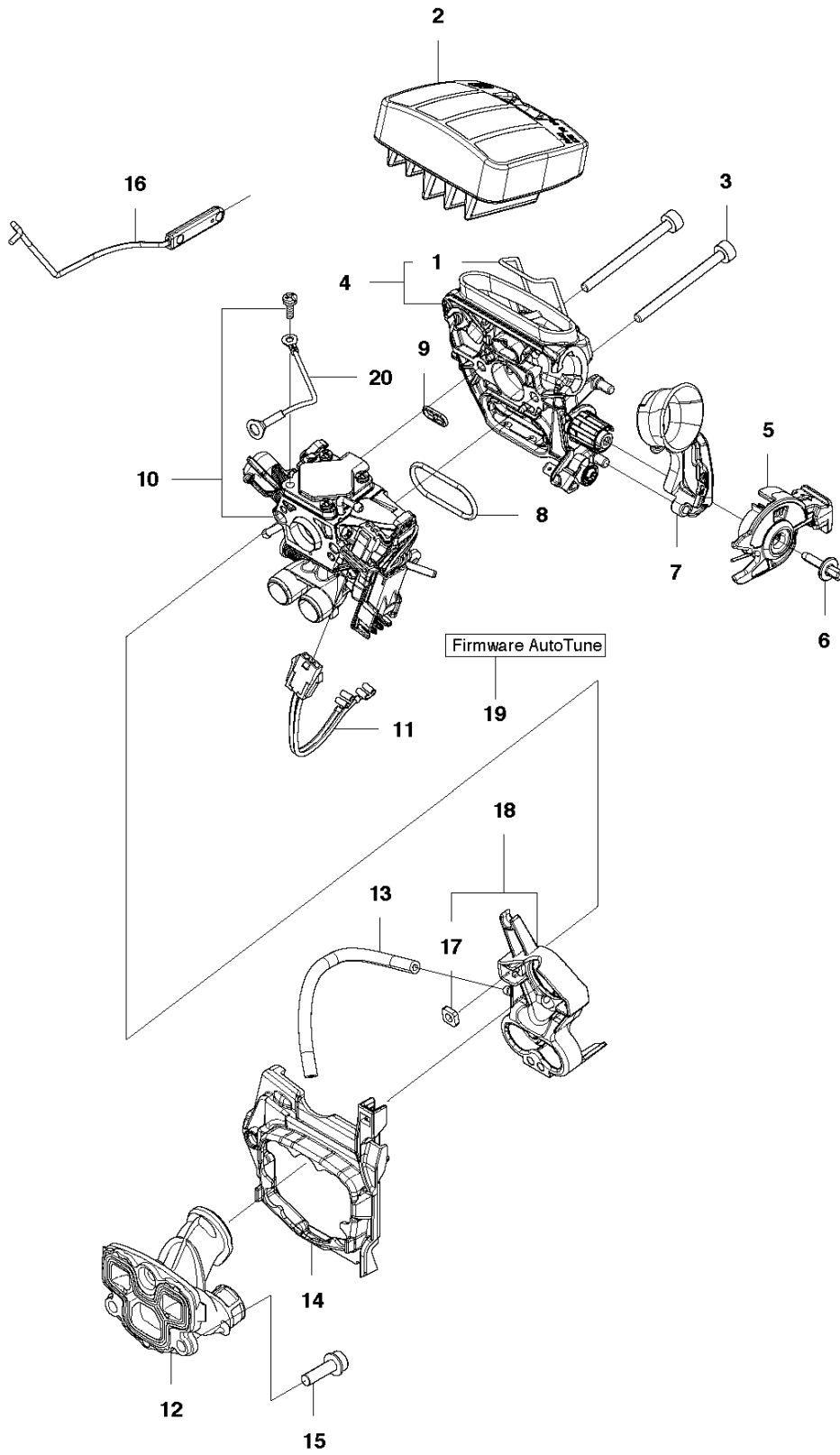


## MUFFLER

465 RANCHER II,

Ref	Part No	Description	Remark	QTY	KIT
1	575 74 30-02	MUFFLER KIT	MUFFLER KIT	1	
2	544 11 68-02	SPARK ARRESTER SCREEN	SPARK ARRESTOR SCREEN	1	1
3	724 12 87-59	SCREW CRPANM	SCREW CRPANM	1	1
4	537 28 77-01	GASKET	GASKET MUFFLER	1	1
5	577 22 33-01	HEAT DEFLECTOR	HEAT DEFLECTOR	1	1
6	725 53 70-55	SCREW IHSCM	SCREW IHSCM	3	1

**G** 465 Rancher II  
CARBURETOR & AIR FILTER

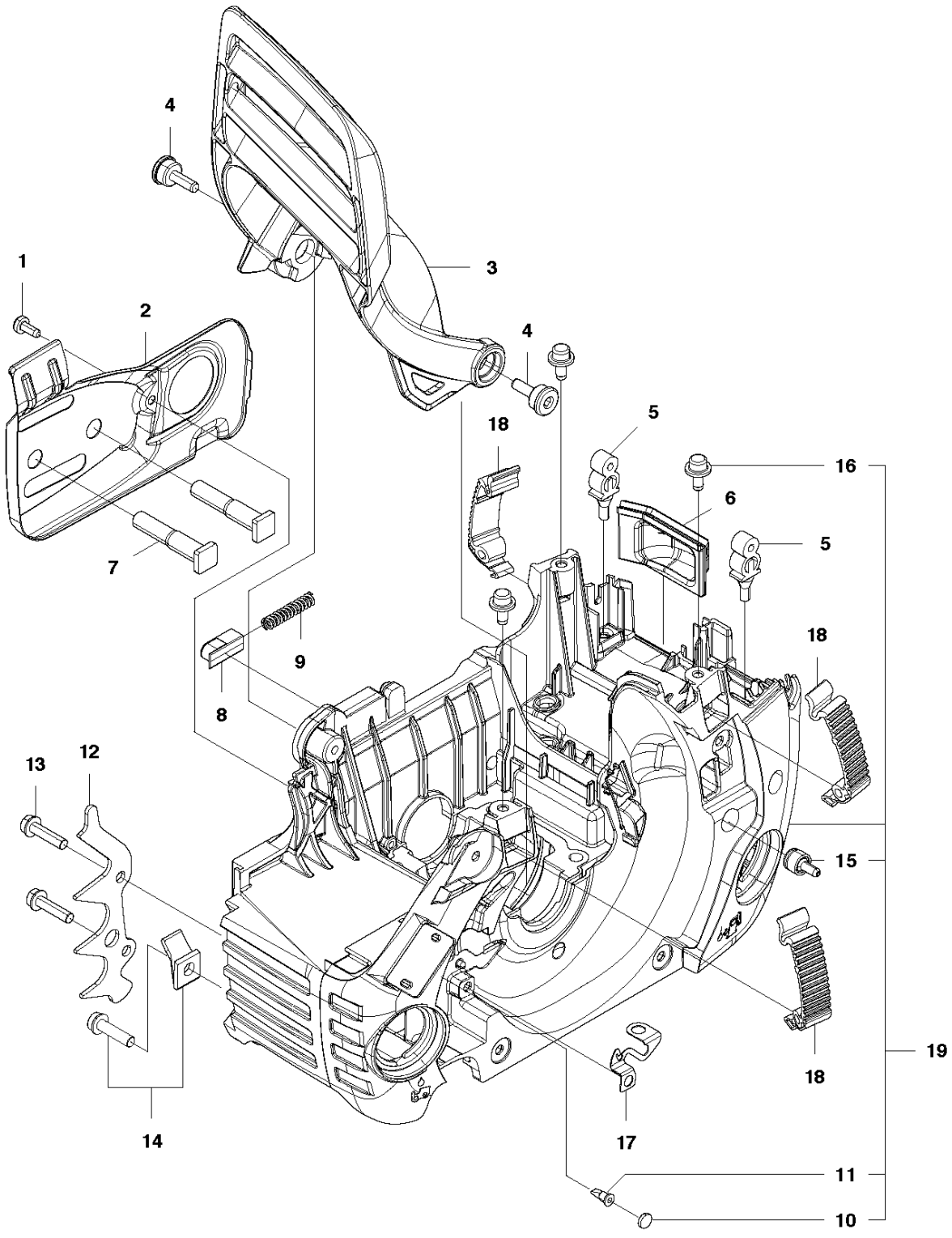


## CARBURETOR &amp; AIR FILTER

465 RANCHER II,

Ref	Part No	Description	Remark	QTY	KIT
1	522 90 73-01	SHACKLE		1	4
2	575 78 94-02	AIR FILTER ASSY	AIR FILTER ASSY 44?	1	
2	575 78 94-01	AIR FILTER ASSY	AIR FILTER ASSY 80?	1	
2	575 78 94-03	AIR FILTER ASSY	AIR FILTER ASSY FELT	1	
3	503 20 25-50	SCREW IHSCM		2	
4	522 90 76-03	FILTER HOLDER ASSY		1	
5	510 01 72-02	CHOKE CONTROL ASSY		1	
6	505 15 62-01	SCREW		1	
7	525 58 81-01	SEALING		1	
8	525 61 90-01	SEALING		1	
9	525 61 92-01	SEALING		1	
10	580 30 63-03	CARBURETTOR	AT-9	1	
11	577 53 64-01	WIRING ASSY		1	
12	575 56 73-01	PIPE ASSY		1	
13	503 40 06-01	IMPULSE HOSE		1	
14	537 37 14-01	INSULATION WALL		1	
15	503 20 02-16	SCREW IHSCFM		3	
16	576 14 87-01	THROTTLE ROD		1	
17	503 22 65-03	SQUARE NUT		2	18
18	575 38 25-01	FLANGE		1	
19	.	TBD	Download from your local supportsite		
20	581 08 99-01	WIRING ASSY			

**H** 465 Rancher II  
CRANKCASE



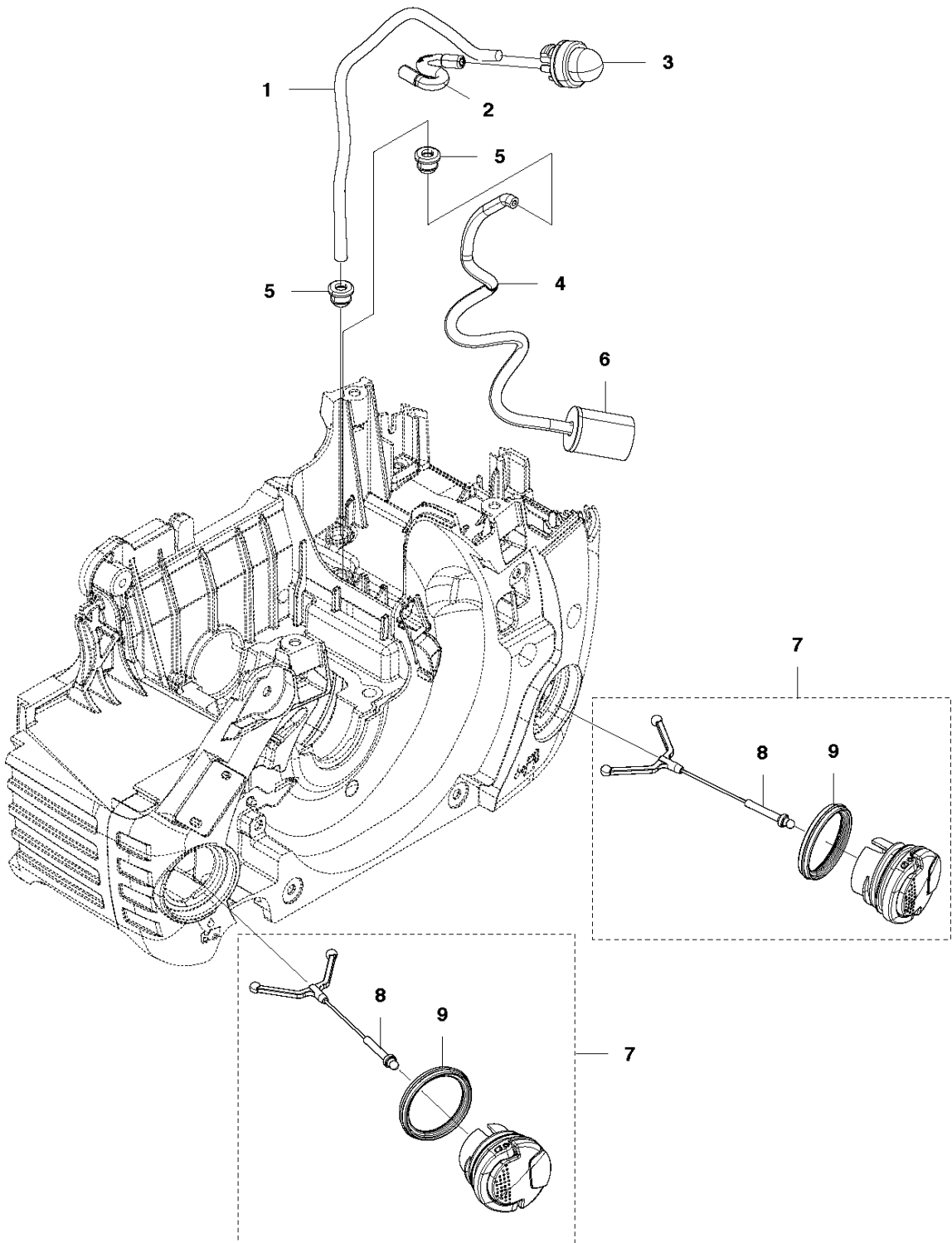


## CRANKCASE

465 RANCHER II,

Ref	Part No	Description	Remark	QTY	KIT
1	503 21 70-10	SCREW CCRPANT		1	
2	575 56 35-01	BAR PLATE		1	
3	574 60 23-01	HAND GUARD		1	
4	537 29 65-01	SCREW		2	
5	503 86 93-01	SUPPORT		2	
6	575 55 41-01	BELLOWS		1	
7	575 82 52-01	BAR BOLT		2	
8	503 89 24-01	LOCK		1	
9	503 43 65-01	POSITION SPRING		1	
10	537 40 35-01	FILTER		1	19
11	530 02 61-19	CHECK VALVE		1	19
12	578 06 88-01	SPIKE		1	
13	503 21 68-72	SCREW IHSCT		2	
14	503 91 06-71	KIT		1	
15	501 15 29-01	TANK VENT ASSY		1	19
16	544 33 16-01	GUIDE PIN		3	19
17	575 39 30-01	GROUND PLATE		1	
18	503 89 47-01	SNAP LOCKING		3	
19	575 39 26-03	CRANKCASE		1	

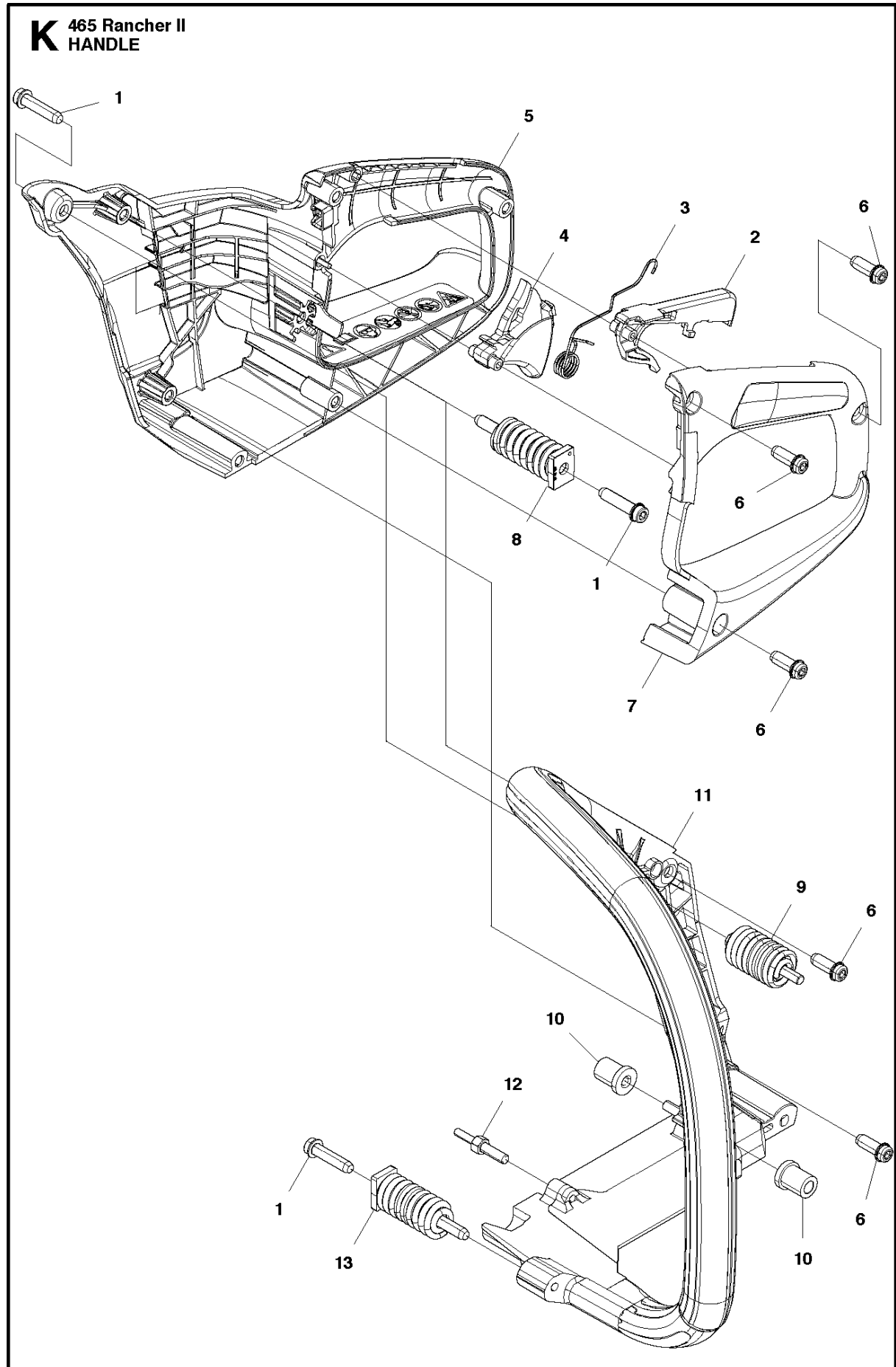
**J** 465 Rancher II  
FUEL TANK



## FUEL TANK

465 RANCHER II,

Ref	Part No	Description	Remark	QTY	KIT
1	537 04 24-05	FUEL HOSE	FUEL HOSE	1	
2	523 05 68-01	FUEL HOSE	FUEL HOSE	1	
3	503 93 66-01	PURGE	PRIMER HOUSING	1	
4	581 75 62-02	FUEL HOSE	FUEL HOSE	1	
5	503 73 58-01	BUSHING	BUSHING	2	
6	503 44 32-01	FUEL FILTER	FILTER	1	
7	522 62 00-03	TANK CAP ASSY	TANK CAP ASSY	2	
8	503 57 89-01	HOLDER	HOLDER	1	7
9	589 24 11-01	GASKET	SEALING	1	7

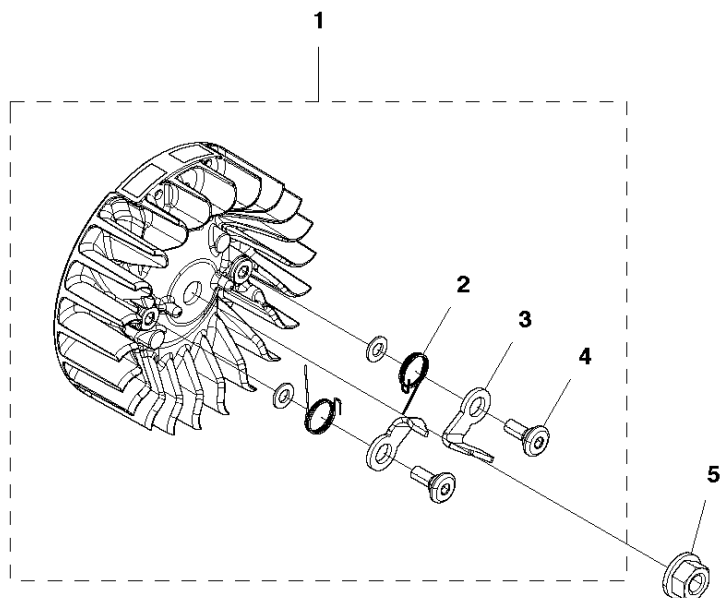
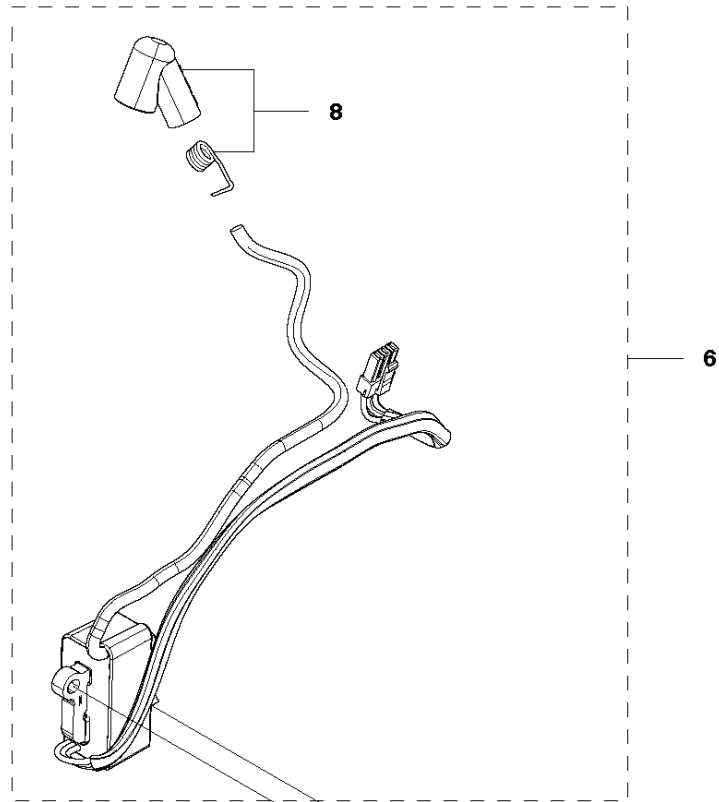


## HANDLE

465 RANCHER II,

Ref	Part No	Description	Remark	QTY KIT
1	503 21 88-76	SCREW IHSCT		3
2	502 44 02-01	THROTTLE LOCKOUT		1
3	503 99 86-01	RECOIL SPRING		1
4	537 26 05-03	THROTTLE TRIGGER		1
5	580 94 59-01	REAR HANDLE		1
6	503 21 02-70	SCREW IHSCT		5
7	537 23 07-04	HUB CAP		1
8	537 30 46-02	ANTIVIBRATION ELEMENT		1
9	503 85 41-02	ANTIVIBRATION ELEMENT		1
10	503 86 92-01	LATERAL SUPPORT		2
11	537 23 05-02	FRONT HANDLE		1
12	537 24 29-01	SCREW		1
13	503 92 31-02	ANTIVIBRATION ELEMENT		1

**L** 465 Rancher II  
IGNITION SYSTEM

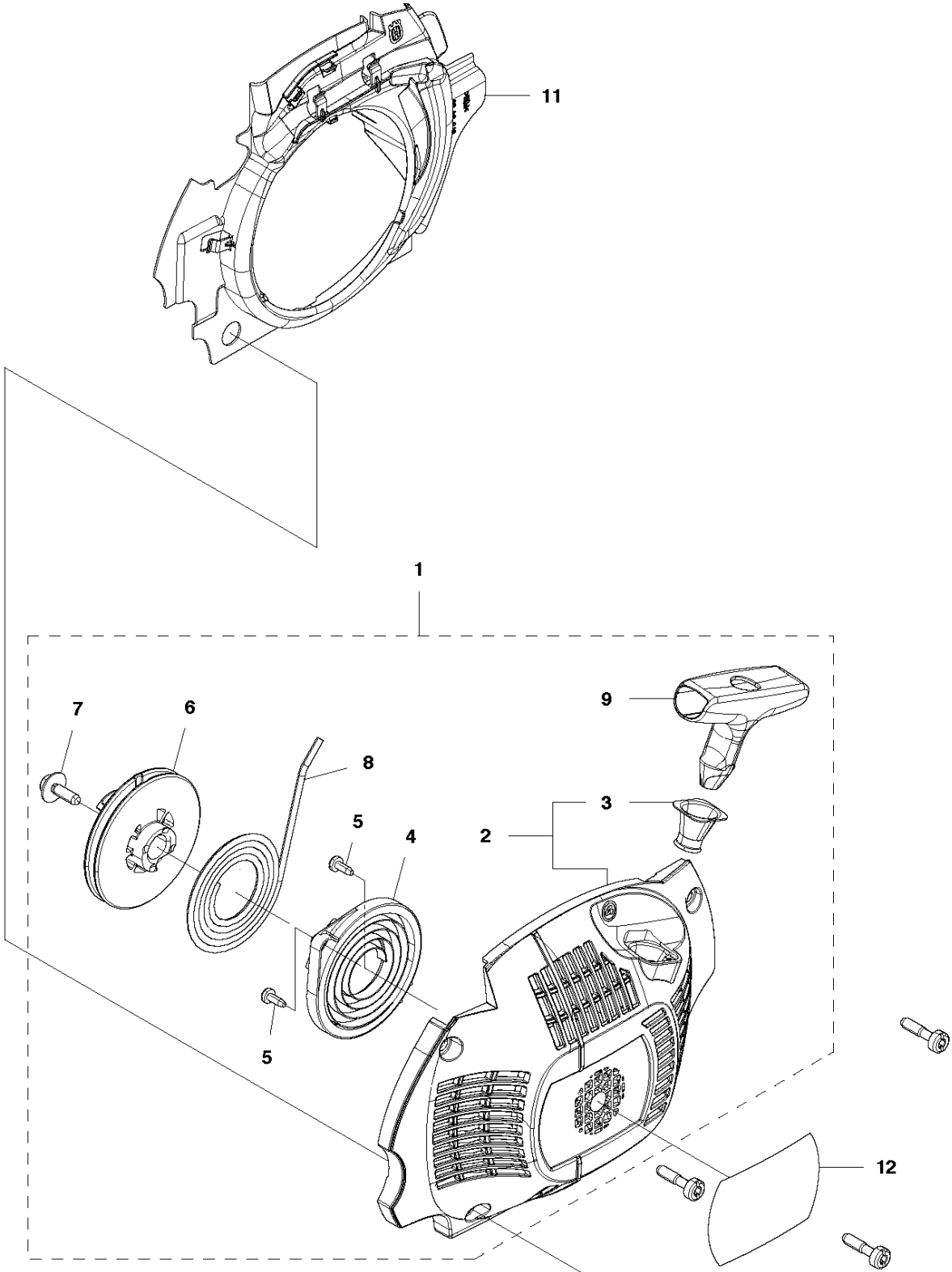


## IGNITION SYSTEM

465 RANCHER II,

Ref	Part No	Description	Remark	QTY	KIT
1	580 38 92-01	FLYWHEEL ASSY		1	
2	529 27 11-01	SPRING		2	1
3	537 24 56-01	STARTER PAWL		2	1
4	501 81 99-03	SCREW		2	1
5	503 22 04-01	NUT		1	
6	586 81 50-02	IGNITION MODULE		1	
7	503 21 55-25	SCREW IHST		2	
8	501 48 54-04	SPARK PLUG CAP ASSY		1	6

**M** 465 Rancher II  
STARTER



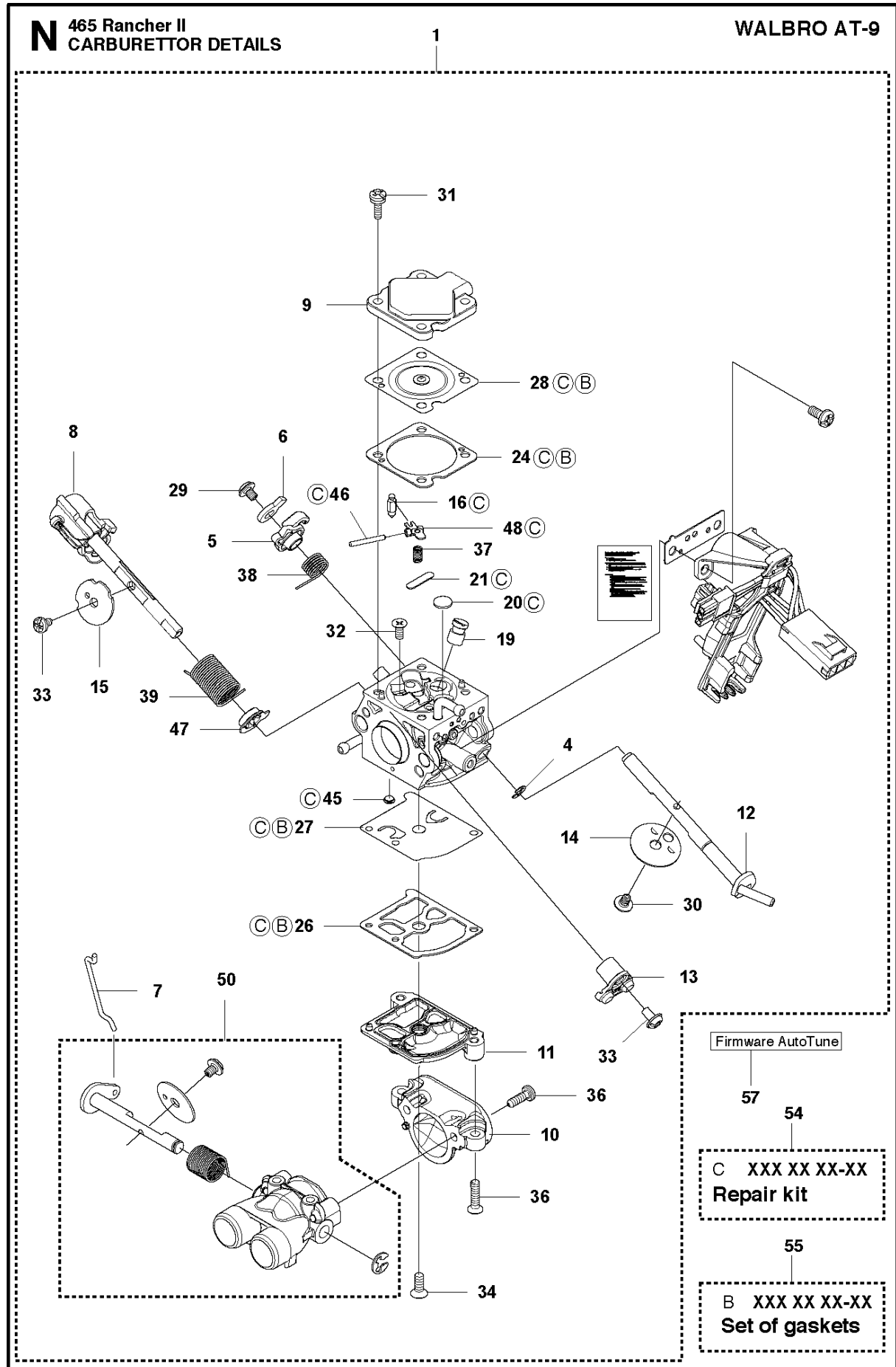
12



## STARTER

465 RANCHER II,

Ref	Part No	Description	Remark	QTY	KIT
1	574 64 32-02	STARTER ASSY		1	
2	574 64 31-01	STARTER HOUSING		1	1
3	537 28 32-01	REINFORCEMENT SLEEVE		1	1, 2
4	537 24 17-01	SPRING CASSETTE ASSY		1	1
5	503 21 28-10	SCREW CCRPANT		2	1
6	537 09 25-02	STARTER PULLEY		1	1
7	503 21 77-16	SCREW IHSCT		1	1
8	505 30 51-25	STARTER CORD		1	1
9	537 23 25-01	STARTER HANDLE		1	1
10	503 21 73-21	SCREW		4	
11	575 54 68-01	AIR BAFFLE		1	
12	575 86 32-01	DECAL		1	

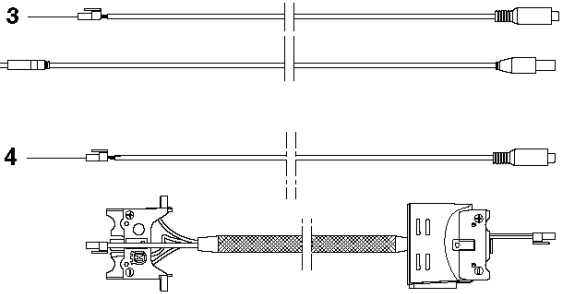
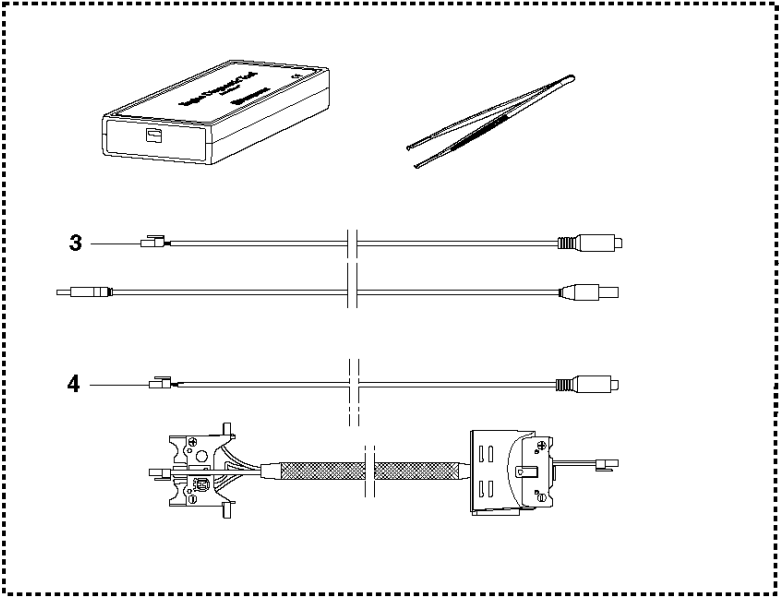
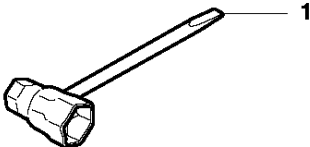


## CARBURETOR DETAILS

465 RANCHER II,

Ref	Part No	Description	Remark	QTY	KIT
1	580 30 63-03	CARBURETTOR	AT-9	1	
4	577 26 29-01	RETAINER		1	1
5	574 35 77-01	LEVER		1	1
6	576 61 85-01	LEVER		1	1
7	574 35 79-01	LINK		1	1
8	575 52 96-01	THROTTLE LEVER		1	1
9	574 35 81-01	COVER		1	1
10	575 79 48-01	INLET		1	1
11	579 26 52-01	COVER		1	1
12	574 35 84-01	SHAFT ASSY		1	1
13	579 32 32-01	THROTTLE SHAFT		1	1
14	574 35 85-01	VALVE		1	1
15	579 31 69-01	THROTTLE VALVE		1	1
16	503 56 34-01	NEEDLE VALVE		1	1
19	580 37 23-01	MAIN NOZZLE		1	1
20	504 79 08-01	PLUG		1	1
21	502 84 69-01	PLUG		1	1
24	574 35 86-01	GASKET		1	1
26	577 88 28-01	GASKET		1	1
27	577 88 29-01	DIAPHRAGM		1	1
28	587 07 16-01	DIAPHRAGM		1	1
29	501 46 87-01	SCREW		1	1
30	537 00 34-01	SCREW		1	1
31	537 00 31-01	SCREW		4	1
32	502 84 71-01	SCREW		1	1
33	544 11 15-01	SCREW		2	1
34	574 35 90-01	SCREW		1	1
36	576 61 89-01	SCREW		4	1
37	503 56 24-01	SPRING		5	1
38	574 35 93-01	SPRING		1	1
39	579 31 70-01	SPRING		1	1
45	501 66 61-01	SCREEN		1	1
46	505 52 01-25	PIN		1	1
47	574 35 96-01	BUSHING		1	1
48	502 84 74-01	LEVER		1	1
50	579 32 31-01	THROTTLE VALVE ASSY		1	1
54	582 40 28-01	REPAIR KIT		1	
55	582 40 26-01	DIAPHRAGM & GASKET KIT		1	
57	.	TBD	Download from your local supportsite		

**P** 465 Rancher II  
ACCESSORIES

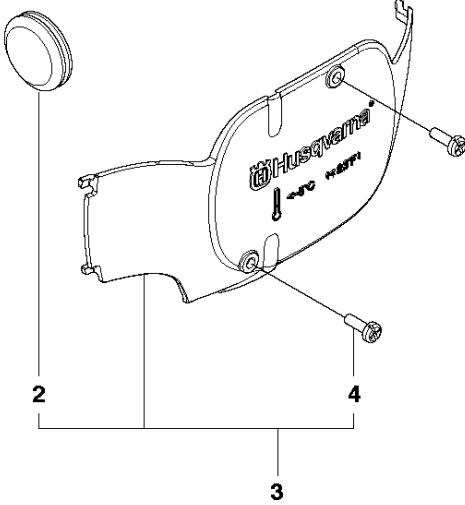
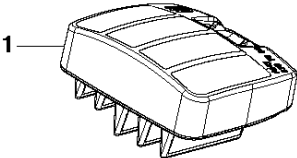


## ACCESSORIES

465 RANCHER II,

Ref	Part No	Description	Remark	QTY KIT	
1	501 69 17-01	COMBINATION WRENCH		1	
2	583 89 71-01	DIAGNOSTIC TOOL KIT		1	
3	576 18 34-01	CABLE ASSY	Diagnostic cable 14Mhz	1	2
4	576 95 22-01	CABLE ASSY	Diagnostic cable 8Mhz	1	2

**Q** 465 Rancher II  
WINTER KIT



WINTER KIT

465 RANCHER II,

Ref	Part No	Description	Remark	QTY	KIT
1	575 78 94-01	AIR FILTER ASSY	AIR FILTER 80μ	1	
2	503 40 59-01	WINTER PLUG		1	3
3	579 16 83-01	WINTER KIT		1	
4	503 21 70-16	SCREW CCRPANT		2	3