

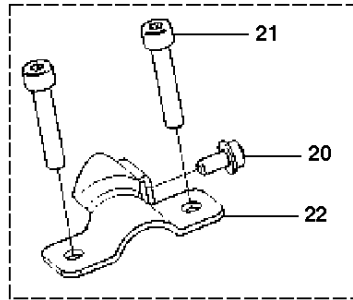


# SPARE PARTS LIST

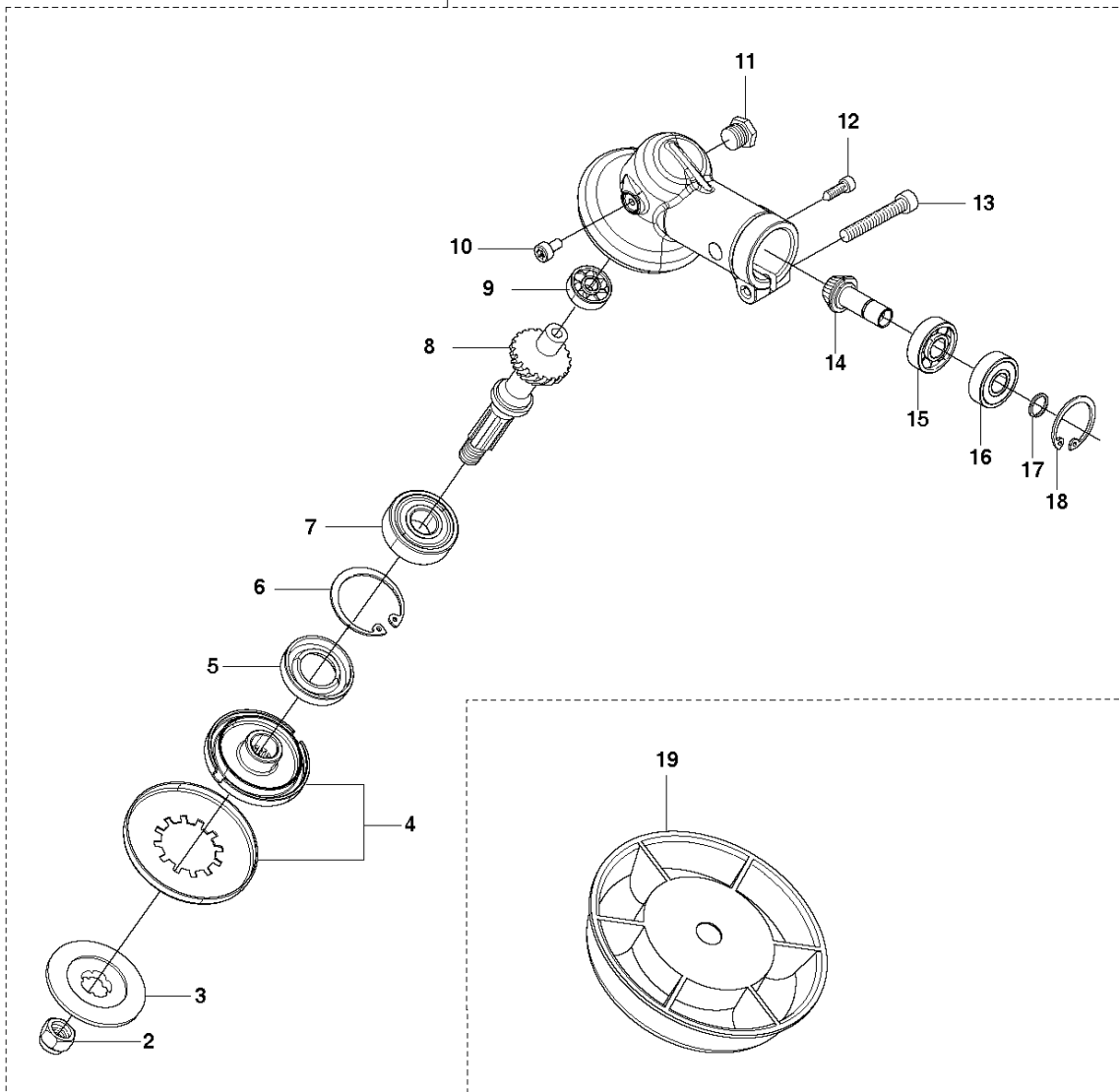
BRUSHCUTTERS/CLEARING SAWS

525 LST

**A2** 525 LST  
BEVEL GEAR



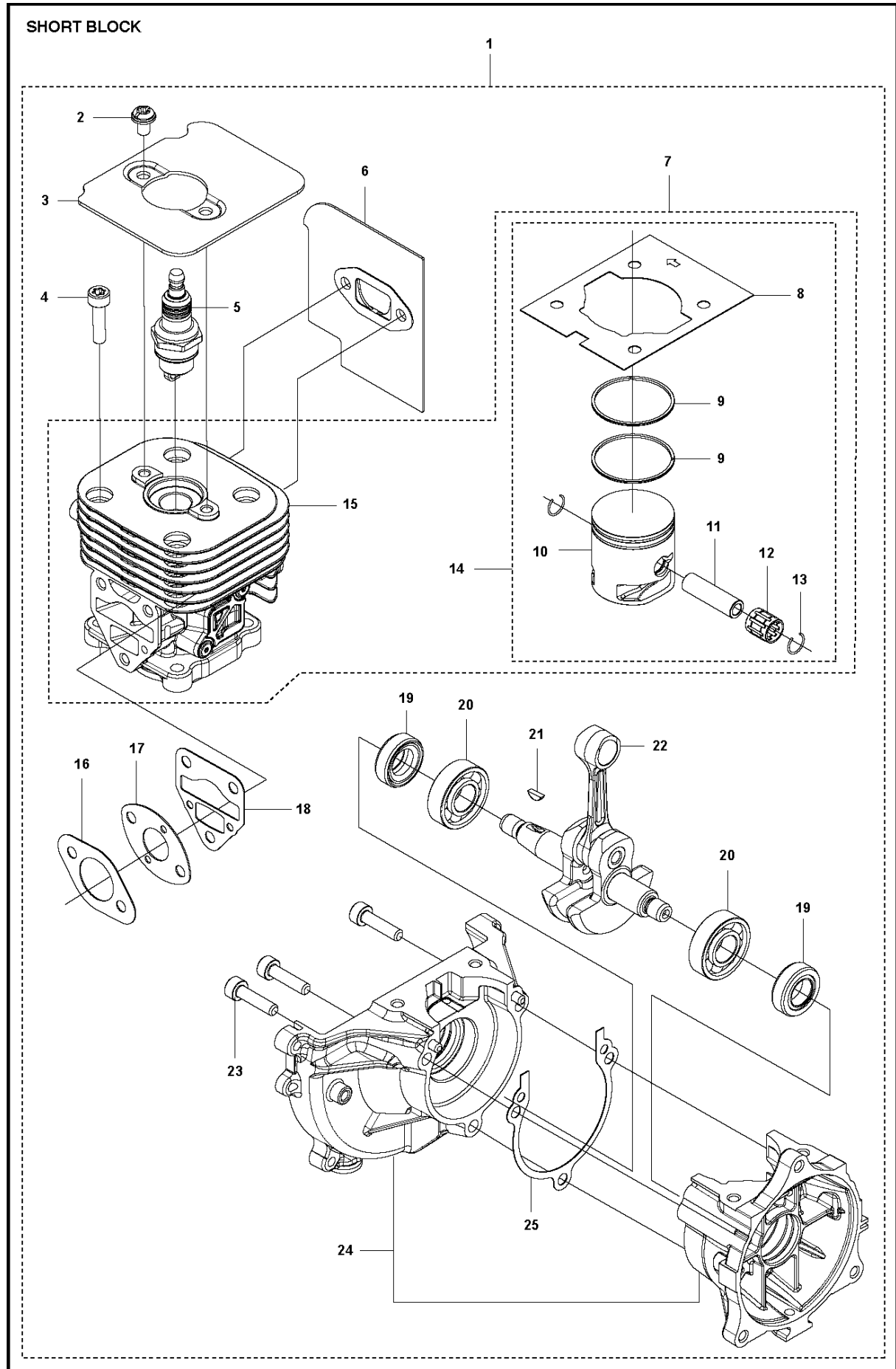
1



## BEVEL GEAR

525 LST

Ref	Part No	Description	Remark	QTY	KIT
1	584 96 46-01	BEVEL GEAR ASSY		1	
2	503 85 63-01	NUT		1	1
3	537 28 56-01	SUPPORT FLANGE		1	1
4	584 44 22-01	DRIVER		1	1
5	577 45 79-01	SEAL		1	1
6	504 12 10-01	SNAP RING		1	1
7	510 56 97-01	BEARING		1	1
8	584 44 20-01	GEAR		1	1
9	516 12 77-01	BALL BEARING		1	1
10	578 39 48-01	BOLT		1	1
11	576 39 90-01	SCREW		1	1
12	521 51 59-01	BOLT		1	1
13	577 94 20-01	BOLT		1	1
14	577 45 77-01	PINION		1	1
15	505 16 92-01	BEARING		1	1
16	505 16 93-01	BEARING		1	1
17	521 82 18-01	RING		1	1
18	505 16 94-01	LOCK RING		1	1
19	503 89 01-01	SUPPORT CUP		1	
20	521 51 59-01	BOLT		1	
21	512 84 64-01	BOLT		1	
22	581 22 73-01	BRACKET		1	

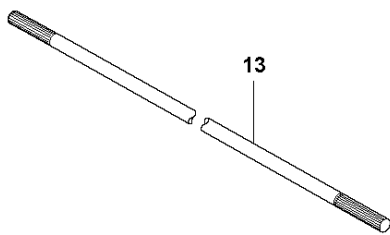
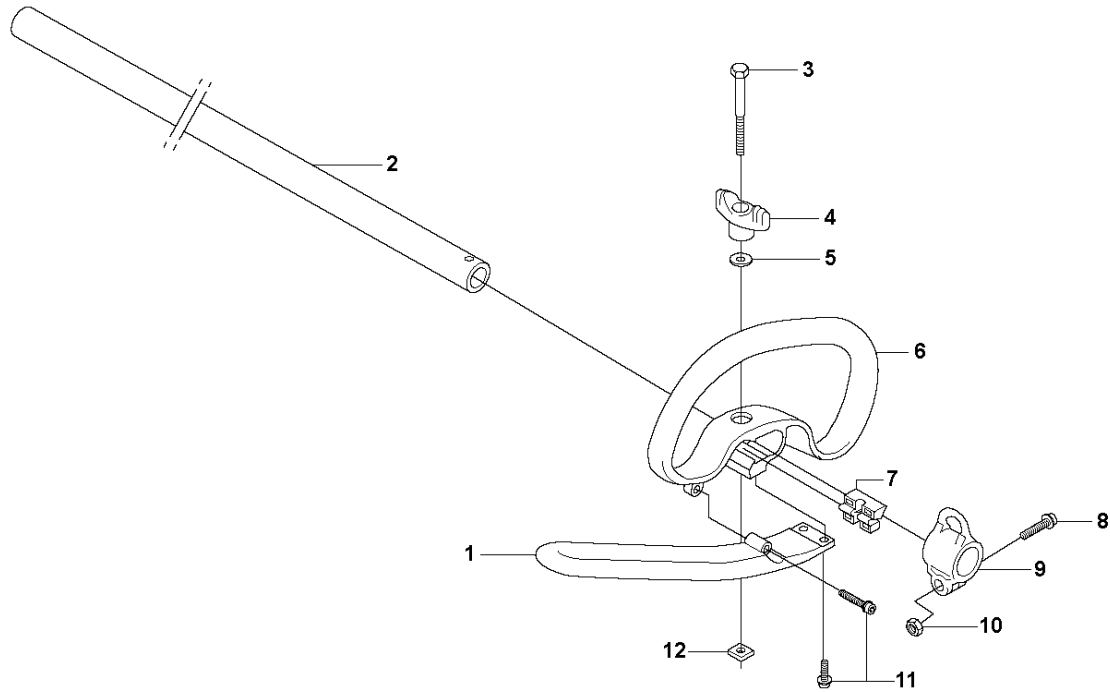


## SHORT BLOCK

525 LST

Ref	Part No	Description	Remark	QTY	KIT
1	592 77 64-01	SHORT BLOCK		1	
2	544 25 68-01	SCREW		2	
3	578 78 53-01	PLATE		1	
4	504 11 43-01	SCREW		4	
5	576 59 81-01	SPARK PLUG		1	
6	578 40 81-01	GASKET		1	
7	588 09 82-02	SERVICE KIT		1	
8	576 39 87-02	GASKET		1	7,14
9	506 61 81-01	RING		2	7,14
10	577 91 74-01	PISTON		1	7,14
11	505 04 07-01	PIN		1	7,14
12	576 40 27-01	BEARING		1	7,14
13	505 04 52-01	RING		2	7,14
14	588 09 81-02	SERVICE KIT		1	7
15	577 97 90-01	CYLINDER		1	7
16	577 88 24-02	GASKET		1	
17	576 39 91-02	GASKET		1	
18	576 39 89-01	GASKET		1	
19	504 12 15-01	SEALING		2	
20	506 61 03-01	BEARING		2	
21	506 68 94-01	KEY		1	
22	586 65 66-01	CRANKSHAFT		1	
23	504 11 43-01	SCREW		3	
24	581 30 86-02	CRANKCASE		1	
25	576 39 95-02	GASKET		1	

**B** 524L, 525L, LS, LST, RJX,  
SHAFT & HANDLE



14



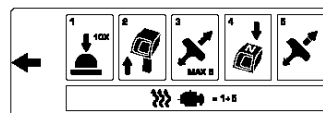
15



16



17



19

**WARNING!**  
Operation of this equipment may create sparks that can start fires around dry vegetation. A spark arrester may be required. The operator should contact local fire agencies for laws or regulations relating to fire prevention requirements.

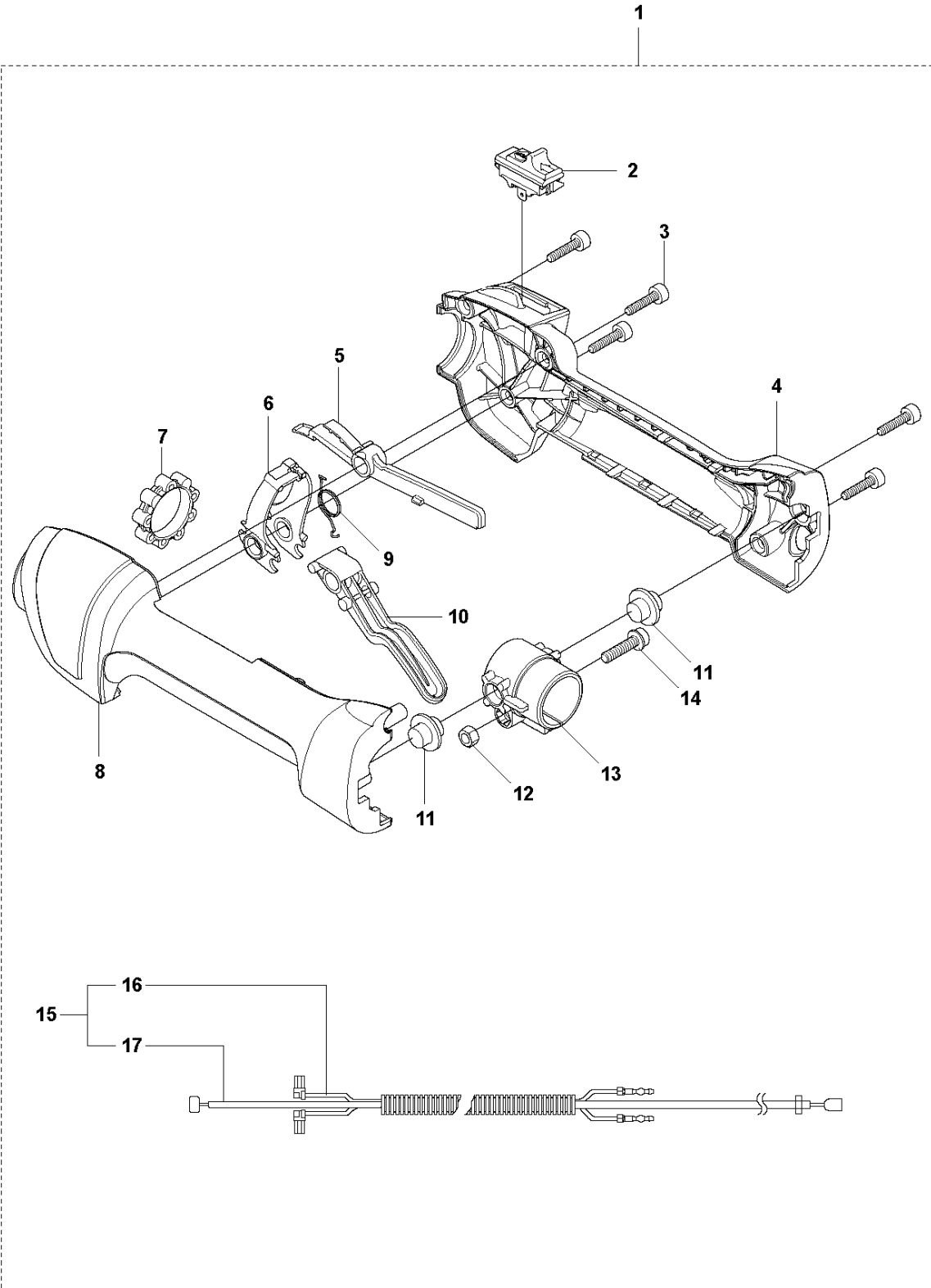
18

## SHAFT &amp; HANDLE

525 LST

Ref	Part No	Description	Remark	QTY KIT
1	503 99 78-04	HANDLE	RJX, (L, LST, RJD Australia)	1
2	579 14 90-01	TUBE	L=1483 $\varnothing$ 24mm	1
3	510 90 61-01	BOLT	L, LS, LST, RJD M6x35	1
3	725 23 80-51	SCREW EHHM	RJX, LK M6x50	1
4	503 87 90-01	KNOB	RJX, LK	1
5	503 23 00-61	WASHER	RJX, LK	1
6	503 87 19-06	HANDLE	L, LS, LST, RJX	1
6	503 87 19-08	HANDLE	LK, RJD, (LST Australia)	1
7	503 94 03-01	DISTANCE		1
8	525 75 51-01	SCREW ITXSCFM	RJX	1
9	503 94 10-01	HOOK	RJX	1
10	731 23 14-01	HEXAGON NUT	RJX	1
11	574 18 15-01	SCREW IHSCFTO	RJX, (L, LST, RJD Australia)	3
12	502 19 71-01	SQUARE NUT		1
13	581 11 05-01	DRIVE SHAFT	L=1515 $\varnothing$ 7mm	1
14	587 11 19-04	LABEL	L, LS, LST	1
15	503 79 56-01	LABEL		1
16	537 10 10-01	LABEL	RJX	1
17	589 29 51-01	LABEL		1
18	522 92 86-02	LABEL		1
19	579 56 23-01	DECAL		1

**F** 524L, 525L, LS, LST, LK, RJX, RJD  
THROTTLE CONTROLS





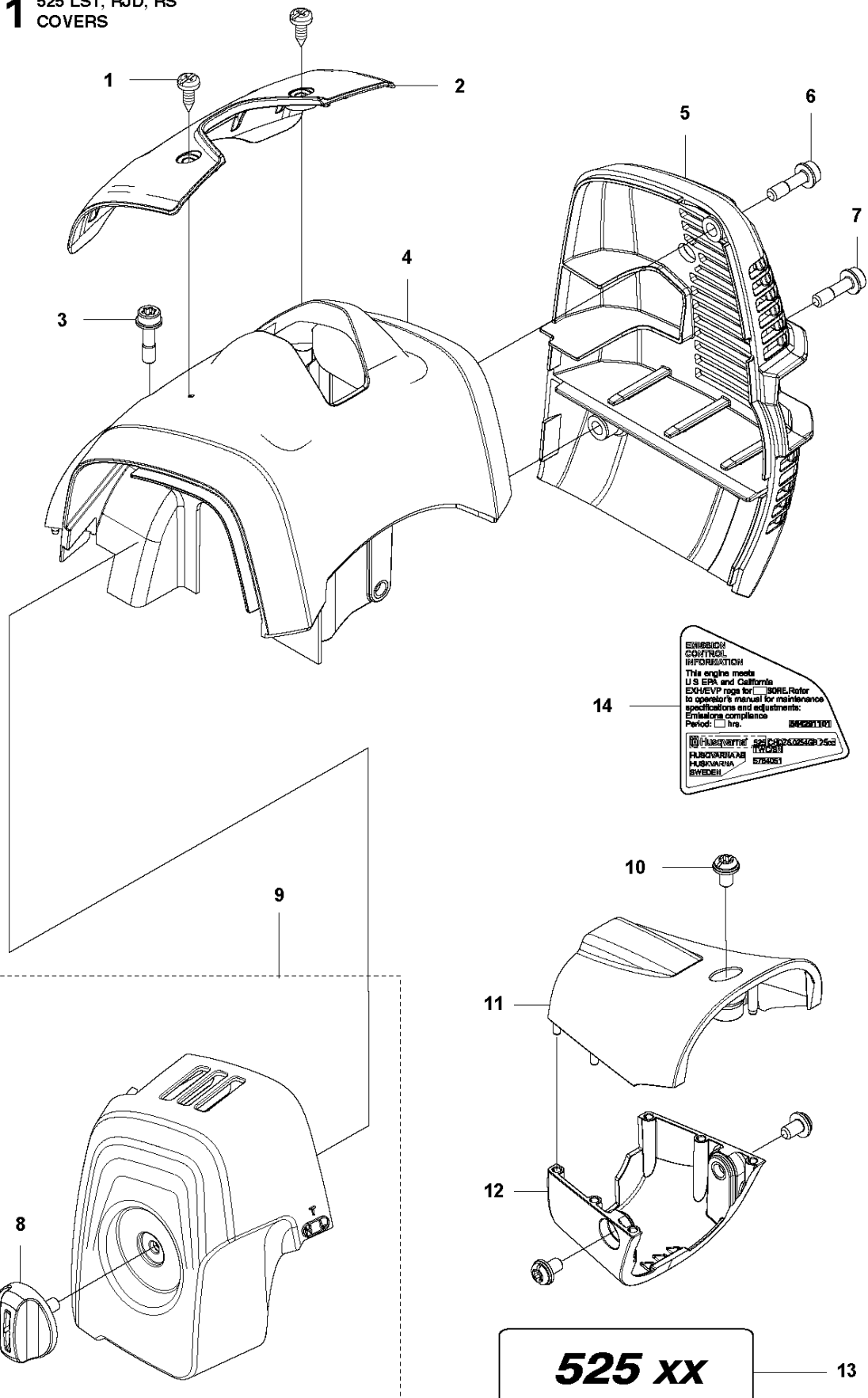
## THROTTLE CONTROLS

525 LST

Ref	Part No	Description	Remark	QTY	KIT
1	578 27 95-03	THROTTLE CONTROL	LS,LST	1	
2	537 41 90-01	SWITCH		1	1
3	575 96 05-01	SCREW IHSCT		5	1
4	544 23 84-01	HANDLE HALF	L, LS, LST, RJX	1	1
5	503 87 80-01	THROTTLE LOCKOUT		1	1
6	503 91 81-01	THROTTLE LEVER		1	1
7	503 96 14-01	ABSORBER		1	1
8	544 23 85-01	HANDLE HALF	L, LS, LST, RJX	1	1
9	544 10 08-01	RECOIL SPRING		1	1
10	503 87 79-03	THROTTLE TRIGGER		1	1
11	590 04 21-01	DAMPER	LS,LST	2	1
12	731 23 14-01	HEXAGON NUT		1	1
13	589 63 85-01	RETAINER	LS,LST	1	1
14	506 68 90-01	BOLT		1	1
15	578 27 96-01	WIRING		1	1
16	502 53 16-01	SHORT CIRCUIT CABLE		1	1, 15
17	578 86 78-01	THROTTLE CABLE		1	1, 15

# G1

525 LST, RJD, RS  
COVERS

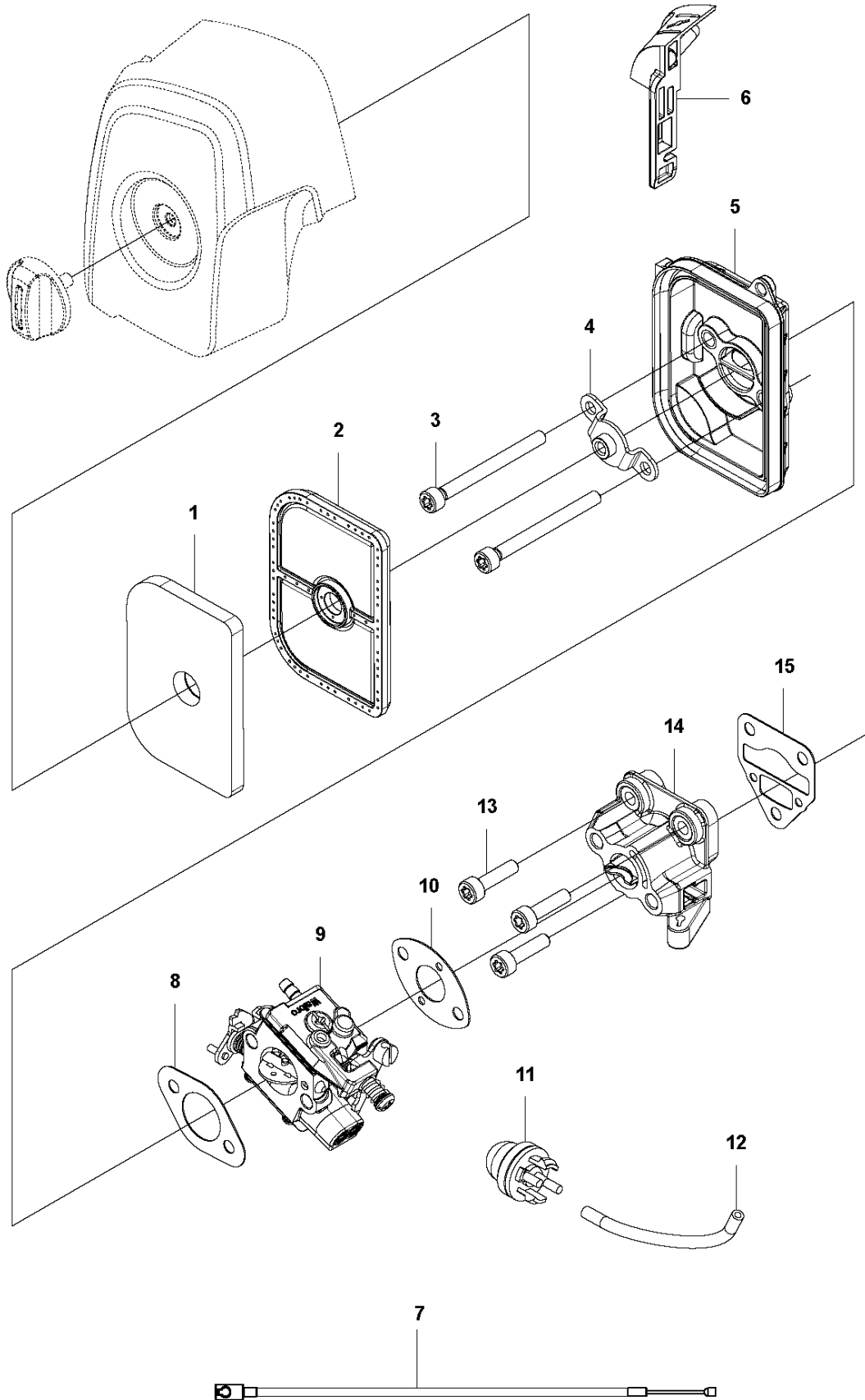


## COVER

525 LST

Ref	Part No	Description	Remark	QTY	KIT
1	503 21 35-12	SCREW CCRPANT		2	
2	576 40 45-01	ARM PROTECTION		1	
3	577 81 54-01	BOLT		1	
4	592 62 13-01	CYLINDER COVER	To be used with 576404101 Housing clutch	1	
4	592 62 13-02	CYLINDER COVER	To be used with 588567701 Housing clutch	1	
5	576 40 47-01	MUFFLER GUARD		1	
6	577 81 54-01	BOLT		1	
7	577 81 54-01	BOLT		1	
8	576 99 24-02	KNOB		1	9
9	578 40 88-01	FILTER COVER		1	
10	544 25 68-01	SCREW		3	
11	577 84 82-01	COVER		1	
12	577 84 81-01	COVER		1	
13	579 44 58-04	DECAL	525LS	1	
13	579 44 58-05	DECAL	525LST	1	
14	584 29 11-09	DECAL		1	

**H1** 524L, 525L, LS, LST, RJD, RS  
CARBURETOR & AIRFILTER

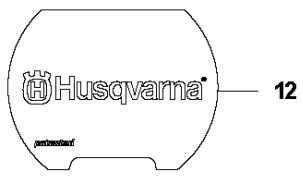
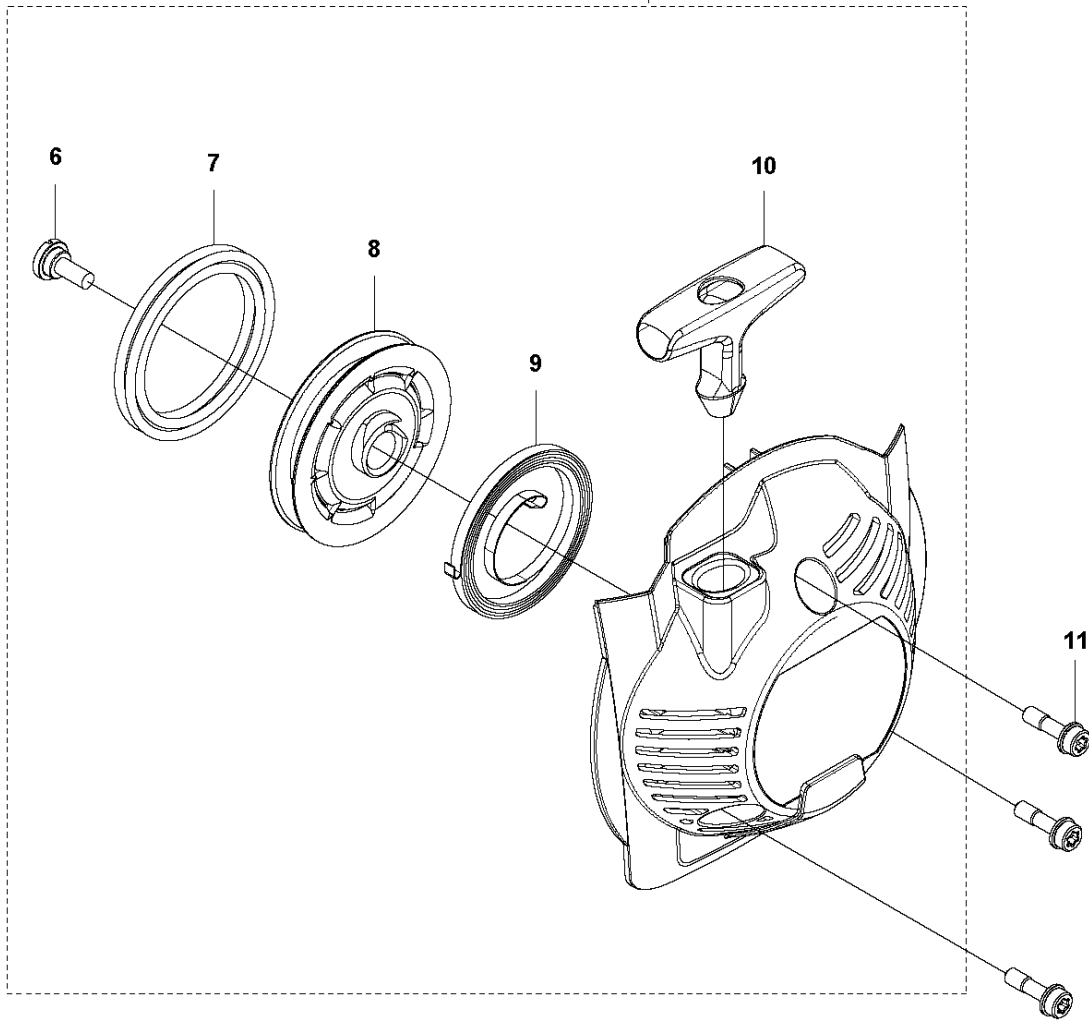
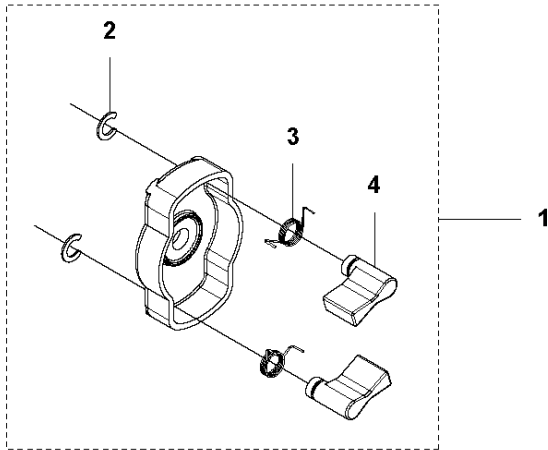


## CARBURETOR &amp; AIR FILTER

525 LST

Ref	Part No	Description	Remark	QTY KIT
1	577 85 15-01	AIR FILTER		1
2	576 40 16-01	AIR FILTER		1
3	580 46 72-01	BOLT		2
4	580 43 79-01	PLATE		1
5	577 85 13-01	FILTER HOUSING		1
6	577 84 83-01	CHOKE CONTROL		1
7	590 90 00-01	THROTTLE CABLE		1
8	577 88 24-02	GASKET		1
9	584 90 14-01	CARBURETTOR		1
10	576 39 91-02	GASKET		1
11	503 93 66-01	PURGE		1
12	577 05 05-01	PIPE		1
13	504 11 43-01	SCREW		3
14	578 90 83-01	INSULATOR		1
15	576 39 89-01	GASKET		1

**J1** 524L, 525L, 525LS, LST, RJD, RS  
STARTER

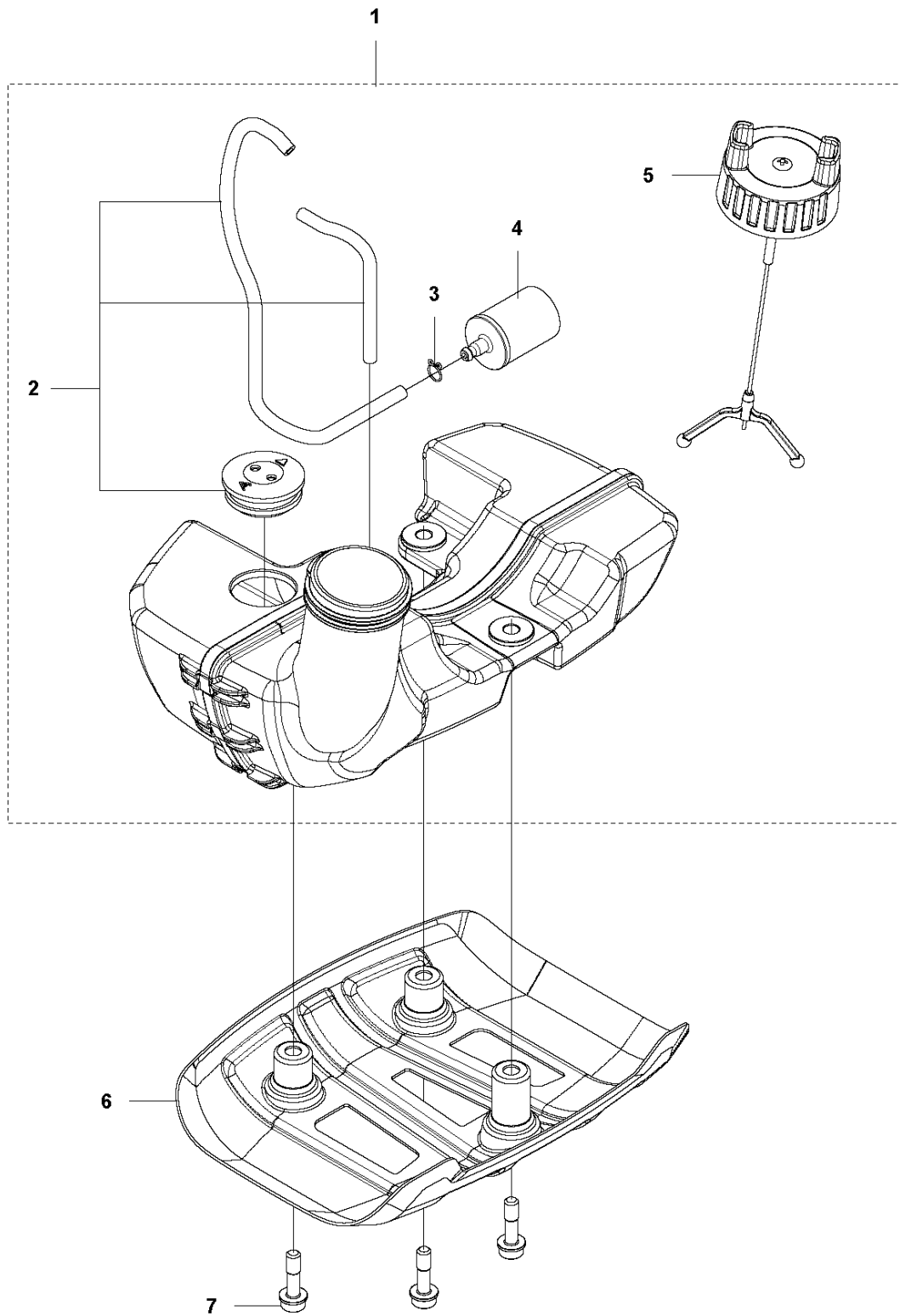


## STARTER

525 LST

Ref	Part No	Description	Remark	QTY	KIT
1	581 14 65-01	STARTER PULLEY		1	
2	521 60 04-01	E-RING		2	1
3	521 60 03-01	SPRING		2	1
4	521 60 02-01	RATCHET		2	1
5	578 99 25-01	STARTER		1	
6	506 61 30-01	SCREW		1	5
7	579 06 46-01	ROPE		1	5
8	579 06 48-01	STARTER PULLEY		1	5
9	504 11 50-01	SPRING.SPIRAL		1	5
10	575 48 95-01	STARTER HANDLE		1	5
11	577 81 54-01	BOLT		3	
12	579 36 96-01	DECAL		1	

**K1** 525L, LS, LST, RJD, RS  
FUEL TANK



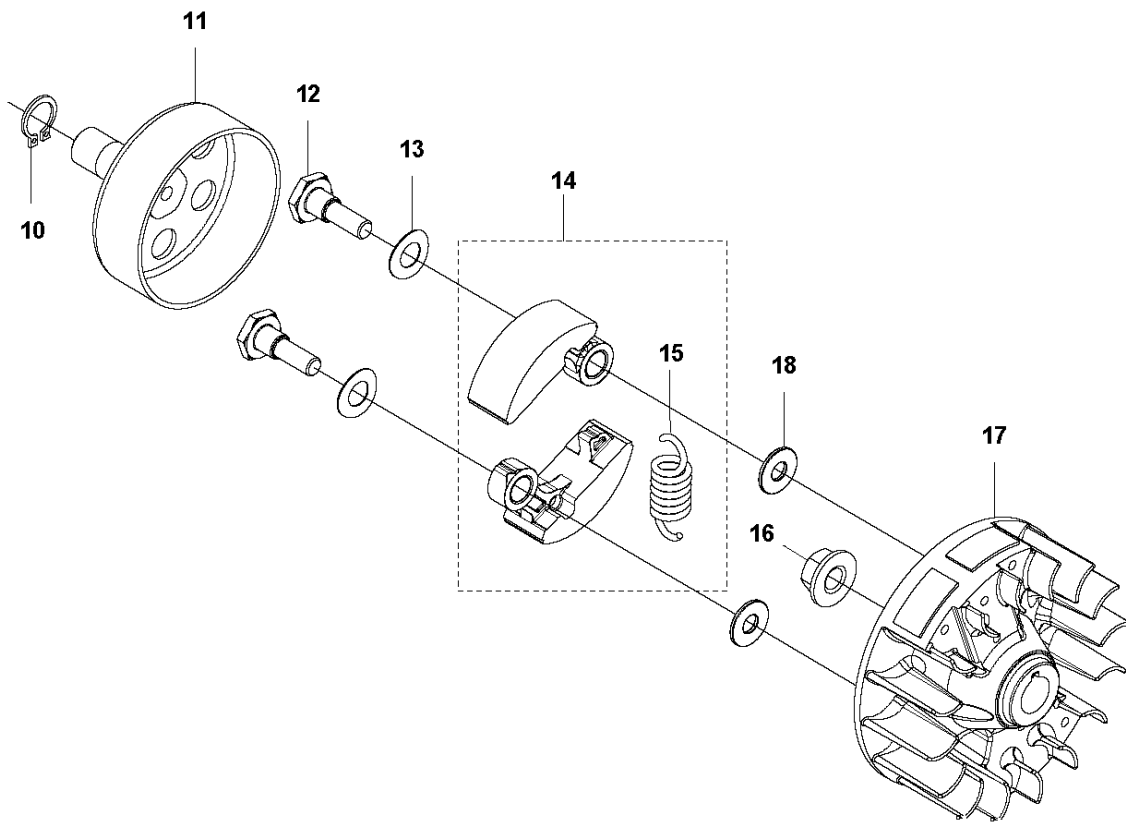
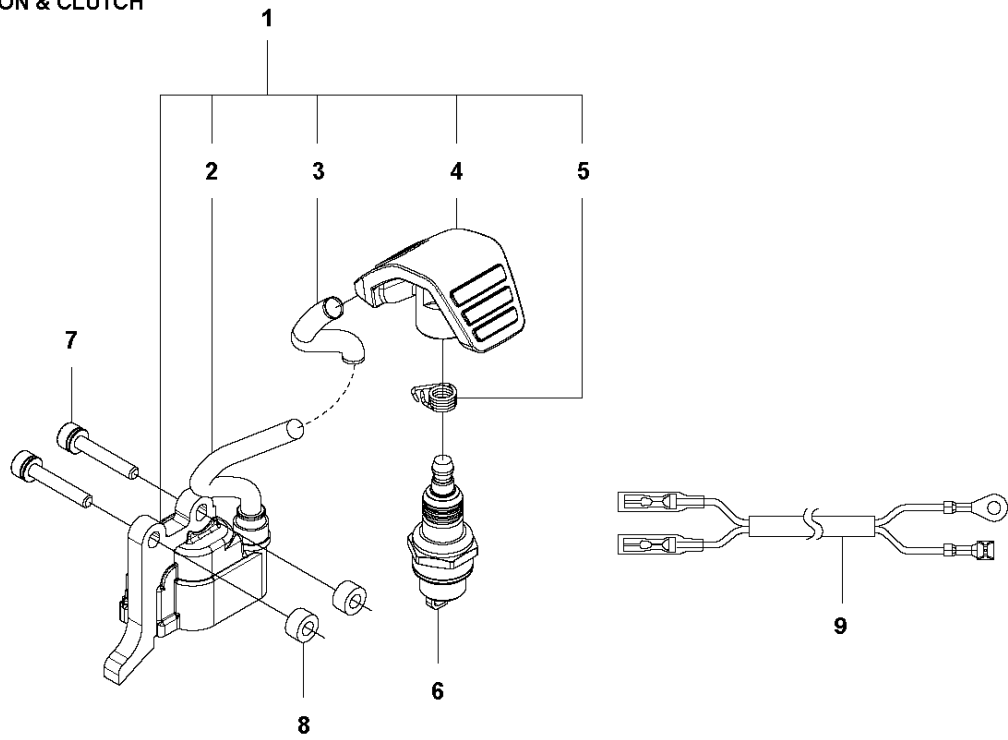


## FUEL TANK

525 LST

Ref	Part No	Description	Remark	QTY KIT	
1	576 40 51-01	FUEL TANK	USA, Australia/New Zealand	1	
2	586 35 96-05	HOSE ASSY		1	1
3	506 70 70-01	CLIP		1	1
4	503 44 32-01	FUEL FILTER		1	1
5	579 64 57-03	TANK CAP		1	1
6	576 40 55-01	SKID PLATE		1	
7	577 81 54-01	BOLT		3	

**L** 524, 525  
IGNITION & CLUTCH

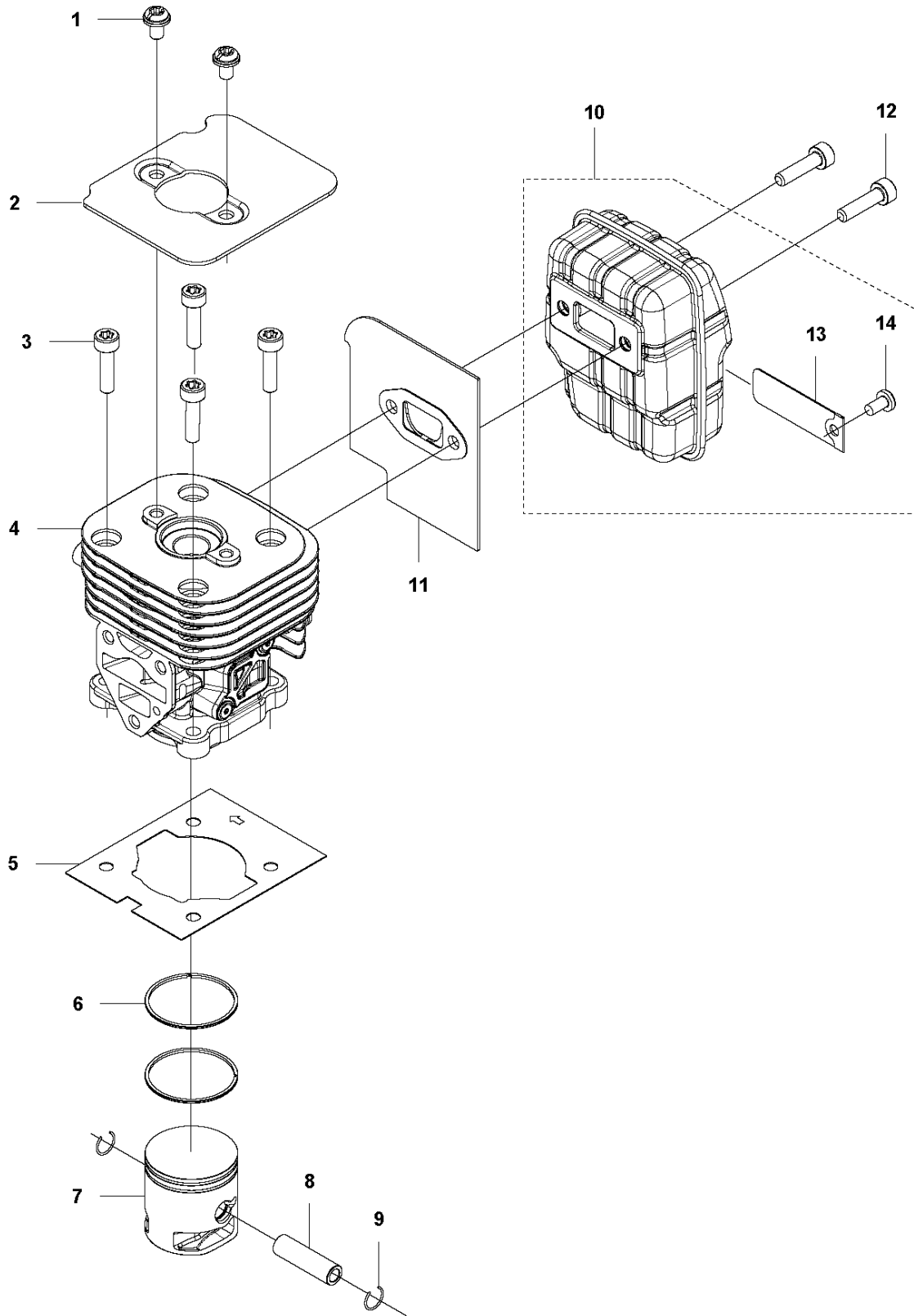


## IGNITION SYSTEM &amp; CLUTCH

525 LST

Ref	Part No	Description	Remark	QTY	KIT
1	588 14 15-01	IGNITION COIL		1	
2	584 82 66-01	IGNITION CABLE		1	1
3	579 59 07-01	TUBE		1	1
4	586 10 72-01	SPARK PLUG CAP		1	1
5	580 63 48-01	SPRING		1	1
6	584 96 81-01	SPARK PLUG	BPMR-8Y : NGK	1	
7	521 51 58-01	BOLT		2	
8	521 76 97-01	SPACER		2	
9	577 85 17-01	SHORT CIRCUIT CABLE		1	
10	516 12 41-01	RING		1	
11	581 14 20-01	CLUTCH DRUM		1	
12	513 18 96-01	SCREW		2	
13	521 75 82-01	WASHER		2	
14	585 83 47-01	CLUTCH ASSY		1	
15	576 40 07-01	CLUTCH SPRING		1	14
16	504 11 80-01	NUT		1	
17	578 96 78-01	FLYWHEEL		1	
18	505 05 44-01	WASHER		2	

**M** 524, 525  
CYLINDER PISTON & MUFFLER

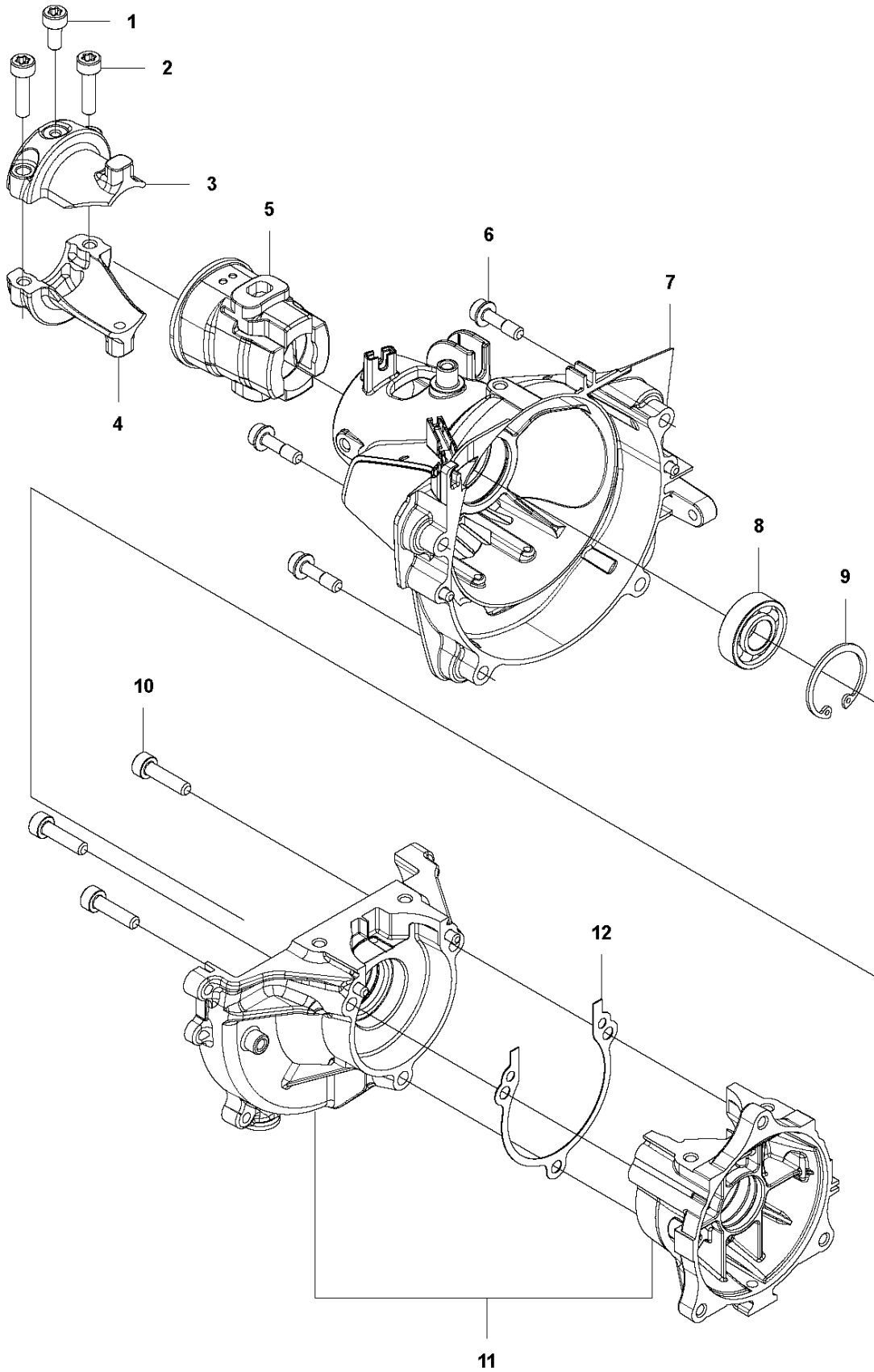


## CYLINDER, PISTON &amp; MUFFLER

525 LST

Ref	Part No	Description	Remark	QTY	KIT
1	544 25 68-01	SCREW		2	
2	578 78 53-01	PLATE		1	
3	504 11 43-01	SCREW		4	
4	577 97 90-01	CYLINDER		1	
5	576 39 87-02	GASKET		1	
6	506 61 81-01	RING		2	
7	577 91 74-01	PISTON		1	
8	505 04 07-01	PIN		1	
9	505 04 52-01	RING		2	
10	585 24 86-01	MUFFLER		1	
10	580 52 36-01	MUFFLER ASSY	USA	1	
11	578 40 81-01	GASKET		1	
12	504 11 43-01	SCREW		2	
13	580 51 44-01	SPARK ARRESTER		1	10
14	729 57 74-05	SCREW CRPANT		1	10

**N** 524, 525  
CRANK CASE

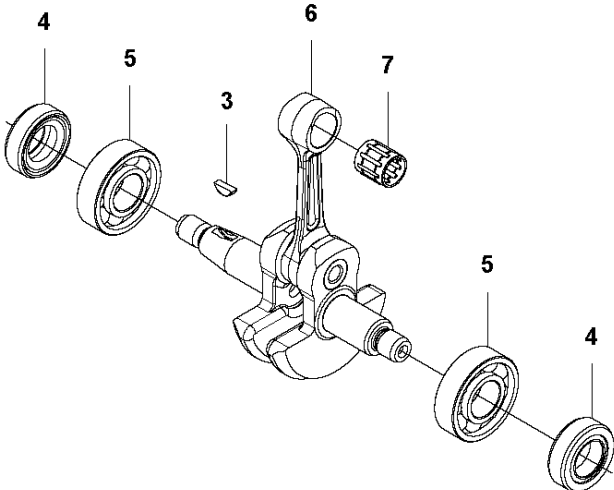
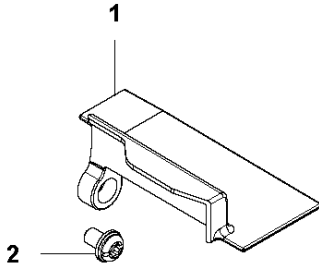


## CRANKCASE

525 LST

Ref	Part No	Description	Remark	QTY KIT
1	529 26 81-01	BOLT		1
2	577 94 20-01	BOLT		2
3	576 42 07-02	BRACKET		1
4	576 42 08-02	BRACKET		1
5	576 42 05-01	CUSHION		1
6	577 81 54-01	BOLT		4
7	588 56 77-01	HOUSING		1
8	525 95 32-01	BEARING		1
9	506 60 99-01	RING		1
10	504 11 43-01	SCREW		3
11	581 30 86-01	CRANKCASE		1
12	576 39 95-02	GASKET		1

**P** 524, 525  
CRANK SHAFT



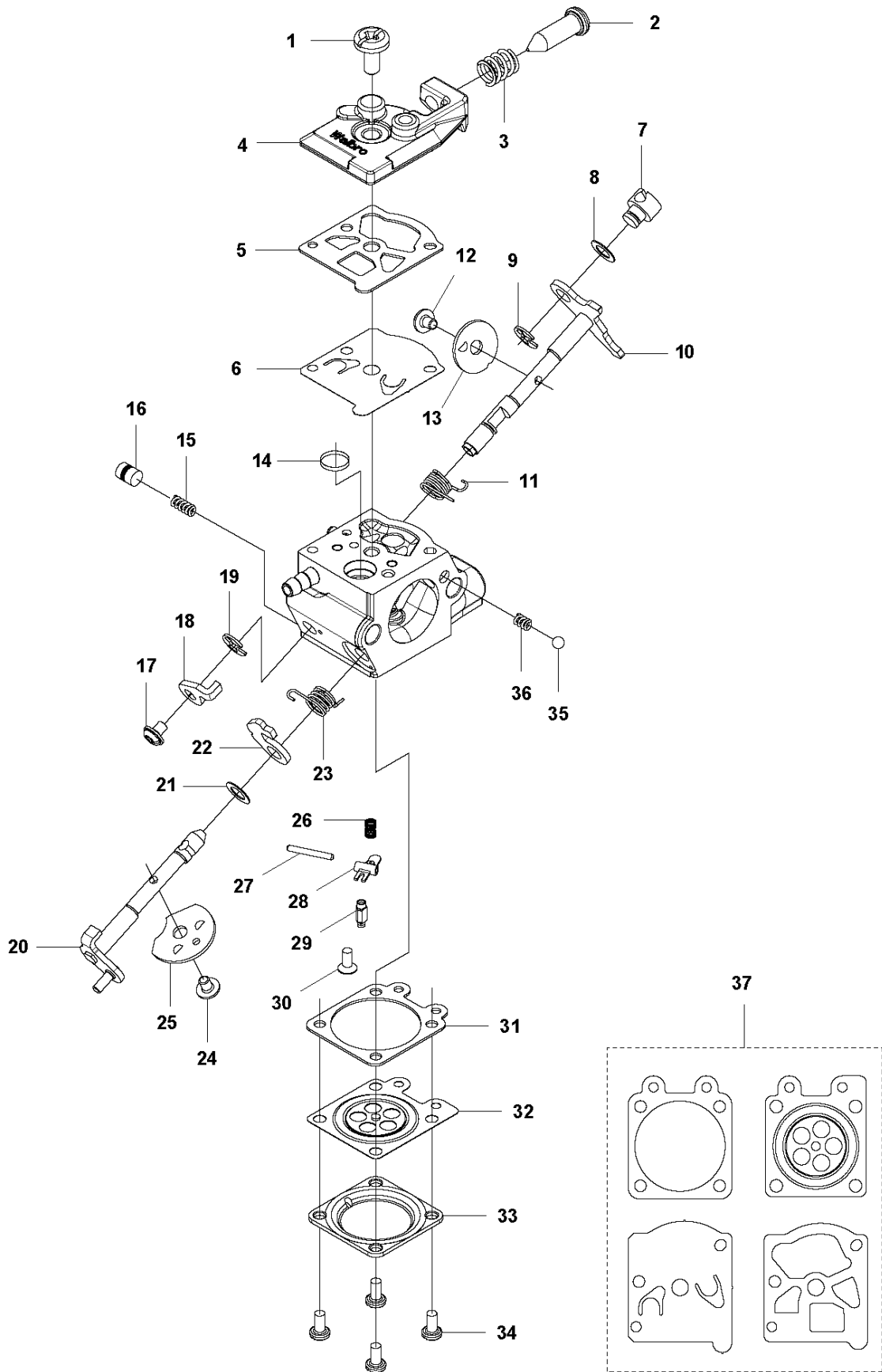


CRANKSHAFT

525 LST

Ref	Part No	Description	Remark	QTY KIT
1	576 40 46-01	MUFFLER		1
2	544 25 68-01	SCREW		1
3	506 68 94-01	KEY		1
4	504 12 15-01	SEALING		2
5	506 61 03-01	BEARING		2
6	579 22 32-01	CRANKSHAFT		1
7	576 40 27-01	BEARING		1

**Q** 524, 525  
CARBURETOR

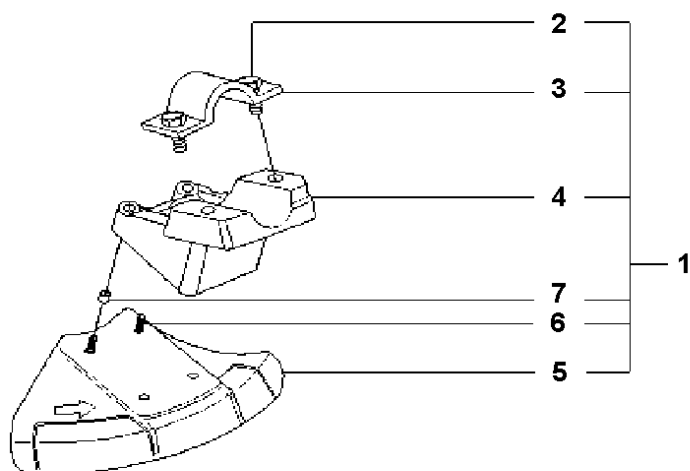


## CARBURETOR

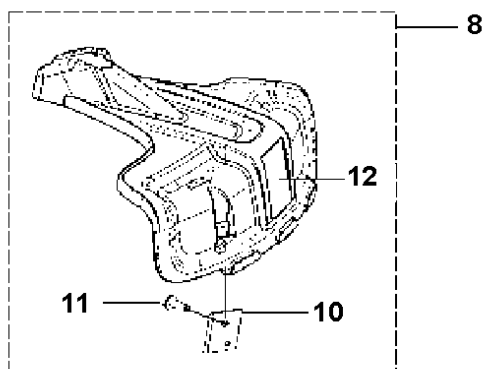
525 LST

Ref	Part No	Description	Remark	QTY KIT
1	520 97 63-01	SCREW		1
2	577 81 57-01	SCREW		1
3	513 59 32-01	SPRING		1
4	579 19 06-01	COVER		1
5	520 95 48-01	GASKET		1
6	502 21 36-01	DIAPHRAGM PUMP		1
7	513 40 08-01	SWIVEL		1
8	516 52 42-01	WASHER		1
9	506 73 86-01	RETAINER RING		1
10	579 19 07-01	SHAFT		1
11	577 81 55-01	SPRING		1
12	520 75 98-01	SCREW		1
13	520 97 86-01	VALVE		1
14	520 95 70-01	SCREEN		1
15	505 05 79-01	SPRING		1
16	584 90 12-01	PISTON ASSY		1
17	520 75 98-01	SCREW		1
18	579 19 08-01	LEVER		1
19	505 05 65-01	RING		1
20	579 19 10-01	SHAFT		1
21	516 52 42-01	WASHER		1
22	584 90 13-01	LEVER		1
23	579 19 11-01	SPRING		1
24	520 75 98-01	SCREW		1
25	581 15 49-01	VALVE		1
26	578 89 54-01	SPRING		1
27	520 97 74-01	PIN		1
28	577 80 72-01	LEVER		1
29	521 08 54-01	VALVE.INLET		1
30	577 80 71-01	SCREW		1
31	516 97 21-01	GASKET		1
32	577 80 70-01	DIAPHRAGM		1
33	514 18 92-01	COVER		1
34	520 97 88-01	SCREW ASSY		4
35	514 24 26-01	BALL		1
36	514 24 33-01	SPRING.CHOKE		1
37	580 68 48-01	GASKET KIT	Coomopes by item 5, 6, 31 and 32	1

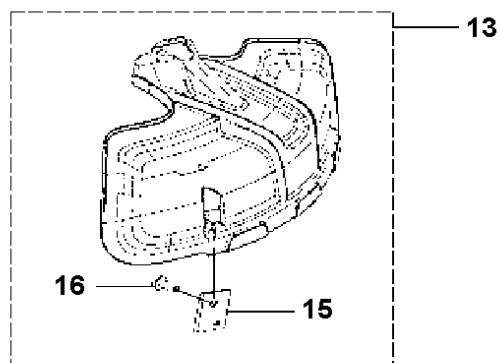
**R1** 525 RX, RXT, RK  
ACCESSORIES



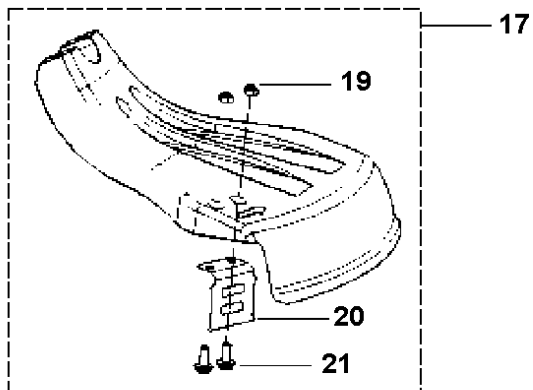
524L, 525L, LS, LST, LK, R1X, R1D, R5, RX, RXT, RK



524L, 525L, LS, LST, LK, R1X, R1D, R5, RX, RXT, RK



525 LS, LST

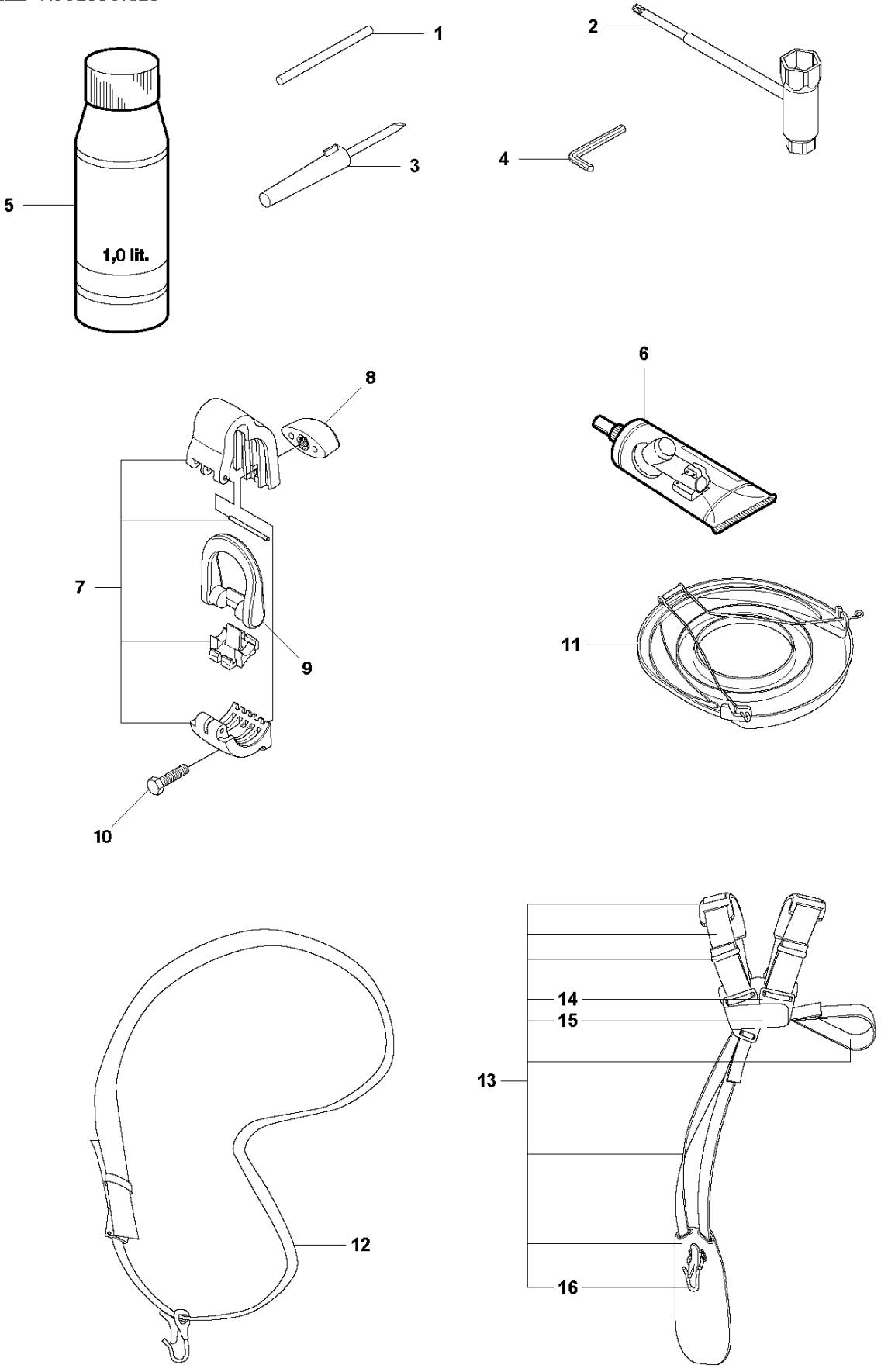


## ACCESSORIES

525 LST

Ref	Part No	Description	Remark	QTY	KIT
1	537 29 95-01	SAW BLADE GUARD	RX, RXT, RK	1	
2	573 99 43-04	SCREW IHSCFMO		2	1
3	537 04 75-01	CLAMP		1	1
4	537 29 34-01	ADAPTER		1	1
5	537 21 71-01	SAW BLADE GUARD		1	1
6	503 20 03-16	SCREW IHSCFM		4	1
7	574 03 95-01	LOCKING NUT		4	1
8	588 54 37-01	TRIMMER GUARD ASSY		1	
10	503 79 88-01	BLADE		1	8
11	576 27 56-01	SCREW ITXSCFT		1	8
12	503 74 29-01	DECAL		1	8
13	588 11 79-01	COMBINATION GUARD		1	
15	503 79 88-01	BLADE		1	13
16	576 27 56-01	SCREW ITXSCFT		1	13
17	501 13 67-03	GUARD	LS,LST	1	
19	521 00 06-01	NUT		2	17
20	574 39 56-01	BLADE		1	17
21	502 84 39-01	SCREW		2	17

**R2** 524L, 525L, LS, LST, LK, RJX, RJD, RS, RX, RXT, RK  
ACCESSORIES

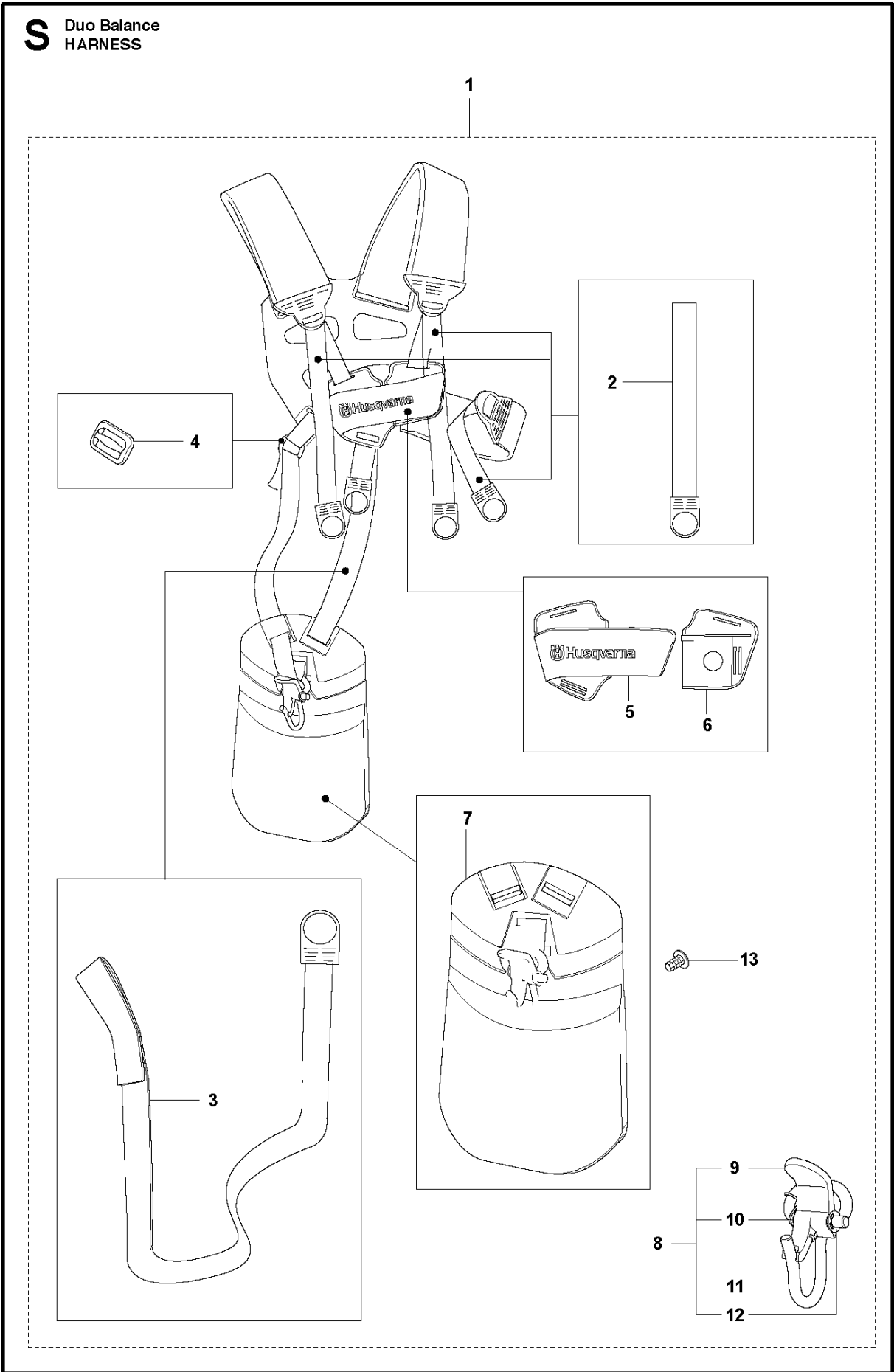


## ACCESSORIES

525 LST

Ref	Part No	Description	Remark	QTY	KIT
1	502 28 59-01	STOP		1	
2	575 73 82-02	COMBINATION WRENCH		1	
3	501 60 02-03	SCREWDRIVER		1	
4	502 21 58-01	WRENCH		1	
5	531 00 92-48	FILTER OIL		1	
6	503 97 64-01	GREASE		1	
7	537 35 36-01	LOOP		1	
8	537 13 04-02	KNOB		1	7
9	537 35 01-01	LOOP		1	7
10	725 23 31-51	SCREW		1	7
11	537 31 29-01	TRANSPORT GUARD	200 - 275mm	1	
12	537 21 62-01	HARNESS		1	
12	537 21 62-02	HARNESS	USA	1	
13	537 21 63-01	HARNESS		1	
13	537 21 63-02	HARNESS	USA	1	
14	503 73 40-01	FRONT PIECE		1	13
15	503 73 41-02	FRONT PIECE		1	13
16	502 02 28-02	WELT HOOK		1	13

**S** Duo Balance  
HARNESS





## HARNES

525 LST

Ref	Part No	Description	Remark	QTY KIT	
1	537 27 57-01	HARNES		1	
1	537 27 57-03	HARNES	US	1	1
2	503 99 61-01	BAND		3	1
3	503 99 61-03	BAND		1	1
4	537 11 35-01	RETAINER		1	1
5	537 28 84-01	FRONT PIECE		1	1
6	537 28 83-01	FRONT PIECE		1	1
7	537 27 59-01	HIP PAD		1	1
8	502 02 28-01	HOOK		1	1
9	502 02 30-02	LOCK		1	1,8
10	586 34 10-01	SPRING		1	1,8
11	502 02 29-02	HOOK		1	1,8
12	735 31 09-20	E-CLIP		1	1,8
13	537 17 54-01	HIP PAD		3	1

# Illustrated Parts List - IPL Update



Product Name(s)

**525LST**

Description of change

1. Improved vibration isolation in Throttle control. New damper and retainer.
2. Reduce complexity and optimize the range of spare parts

Comments

1. Throttle control assy ref. 1 (578 27 95-03) is backward interchangeable. Damper ref. 11 (590 04 21-01) and retainer ref. 13 (589 63 85-01) needs to be replaced together.
2. See below

Introduced from

Serial number / Date	Remark
2018-06	All parts below

IPL updates

Page title	Ref. no	New part no	Name	Excl. part no.	Remark
Throttle control	1	578 27 95-03	THROTTLE CONTROL	578 27 95-01	LS, LST
Throttle control	11	590 04 21-01	DAMPER	544 10 17-03	LS, LST
Throttle control	13	589 63 85-01	RETAINER	544 11 21-01	LS, LST
Accessories	9		TRIMMER GUARD ASSY	588 11 78-01	
Accessories	14		COMBINATIO N GUARD	501 13 67-05	
Accessories	18	501 13 67-05	GUARD	501 13 69-02	
Accessories	22		PLATE	526 05 66-01	