

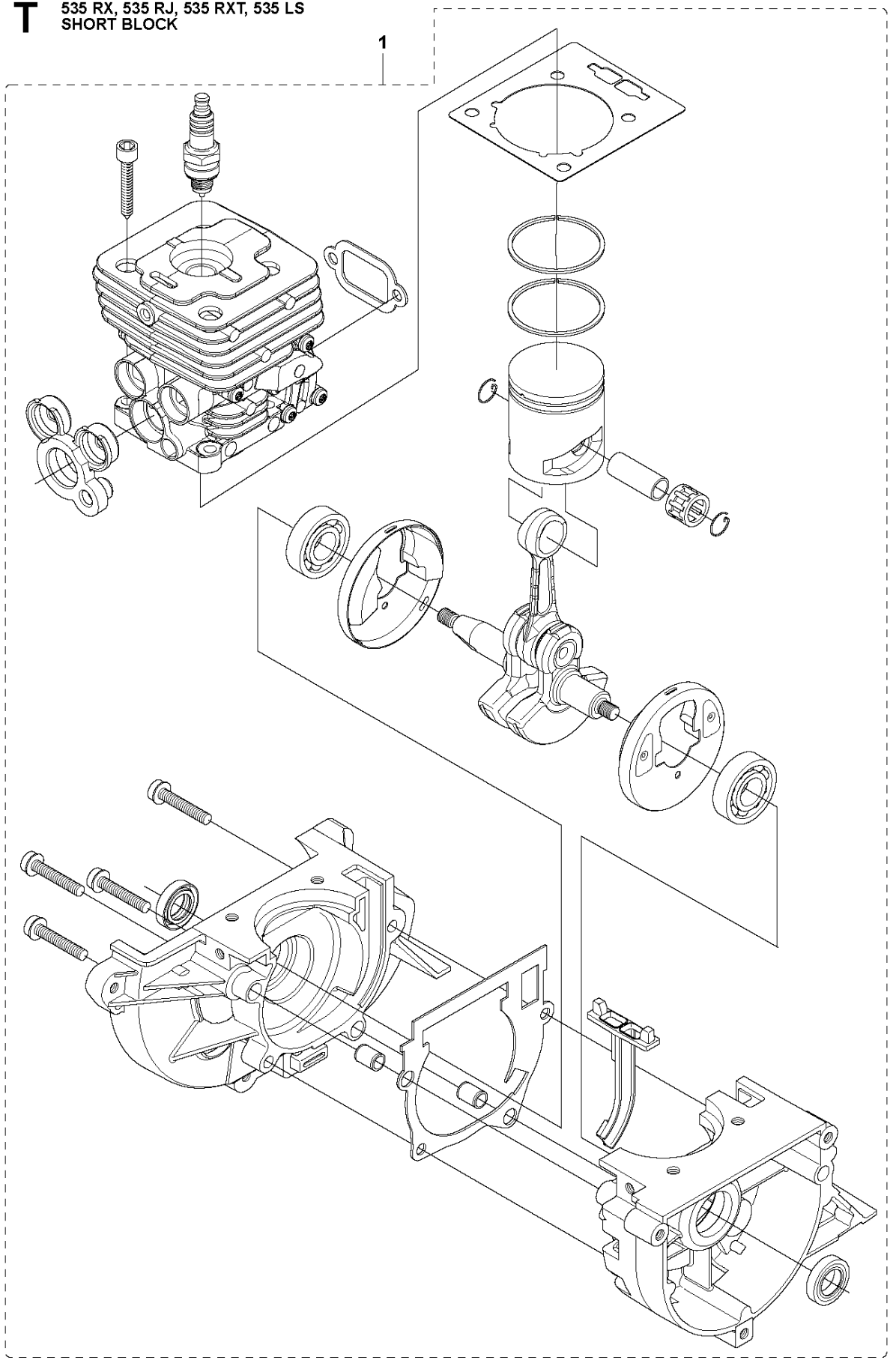


# SPARE PARTS LIST

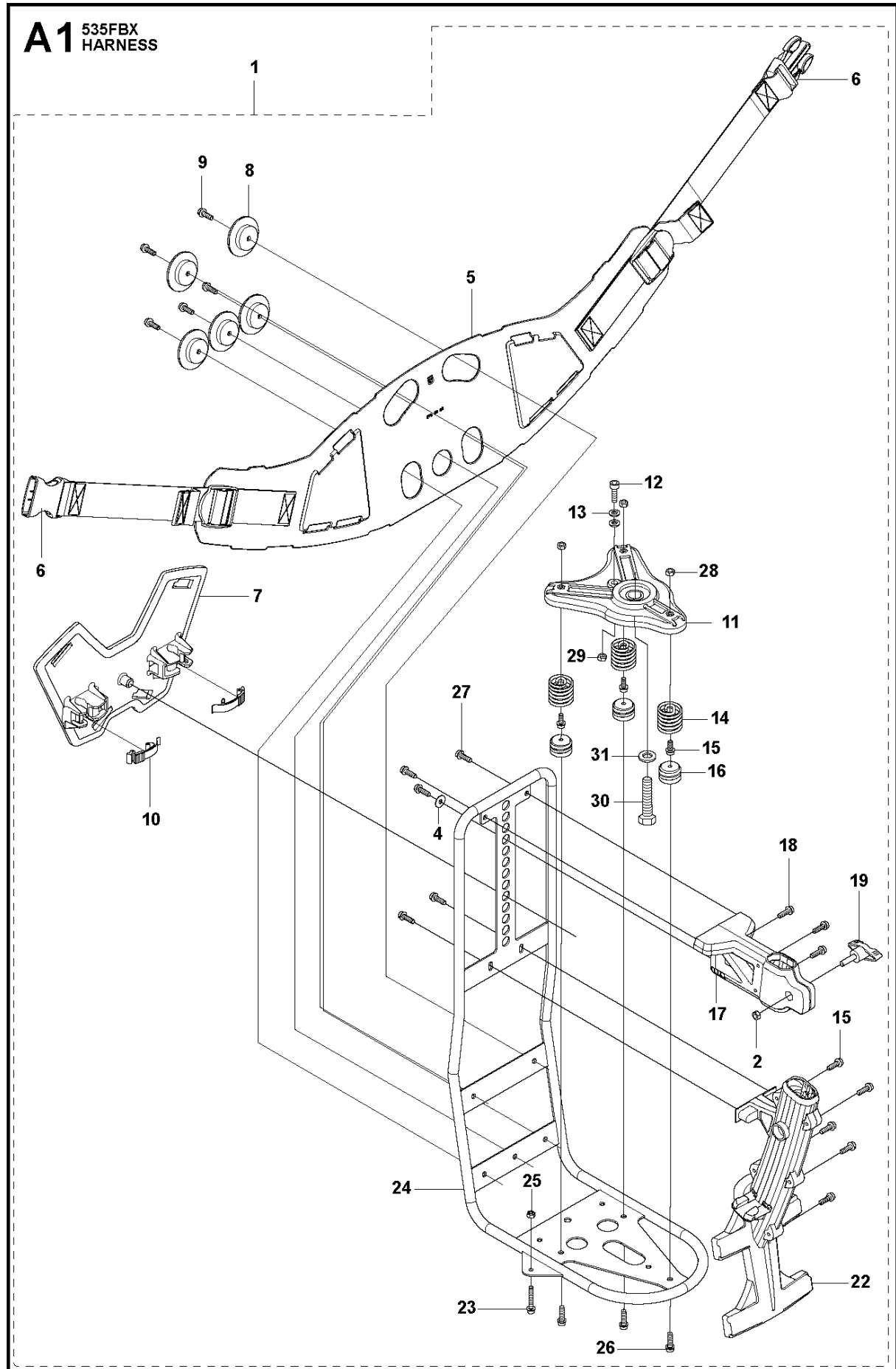
BRUSHCUTTERS/CLEARING SAWS

535 FBX

**T** 535 RX, 535 RJ, 535 RXT, 535 LS  
SHORT BLOCK

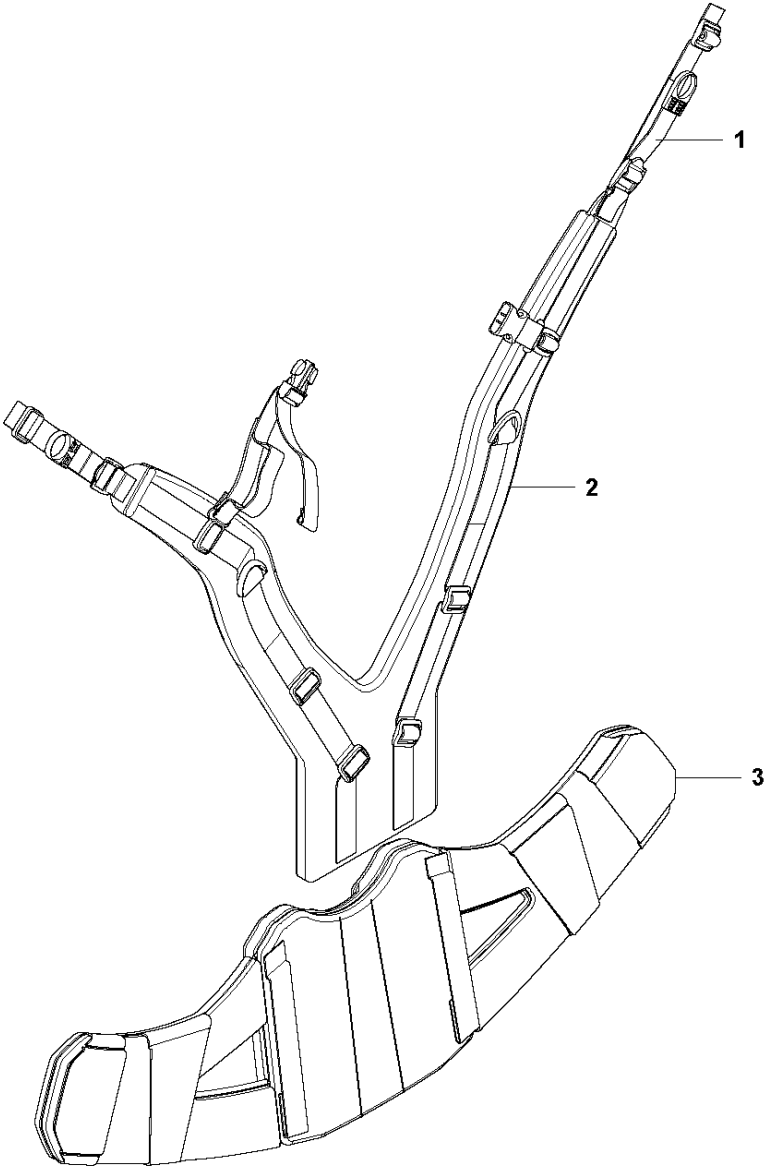


| Ref | Artikelnr    | Beskrivning      | Anmärkning | ANT SATS<br>AL |
|-----|--------------|------------------|------------|----------------|
| 1   | 594 72 94-01 | SHORT BLOCK ASSY |            | 1              |



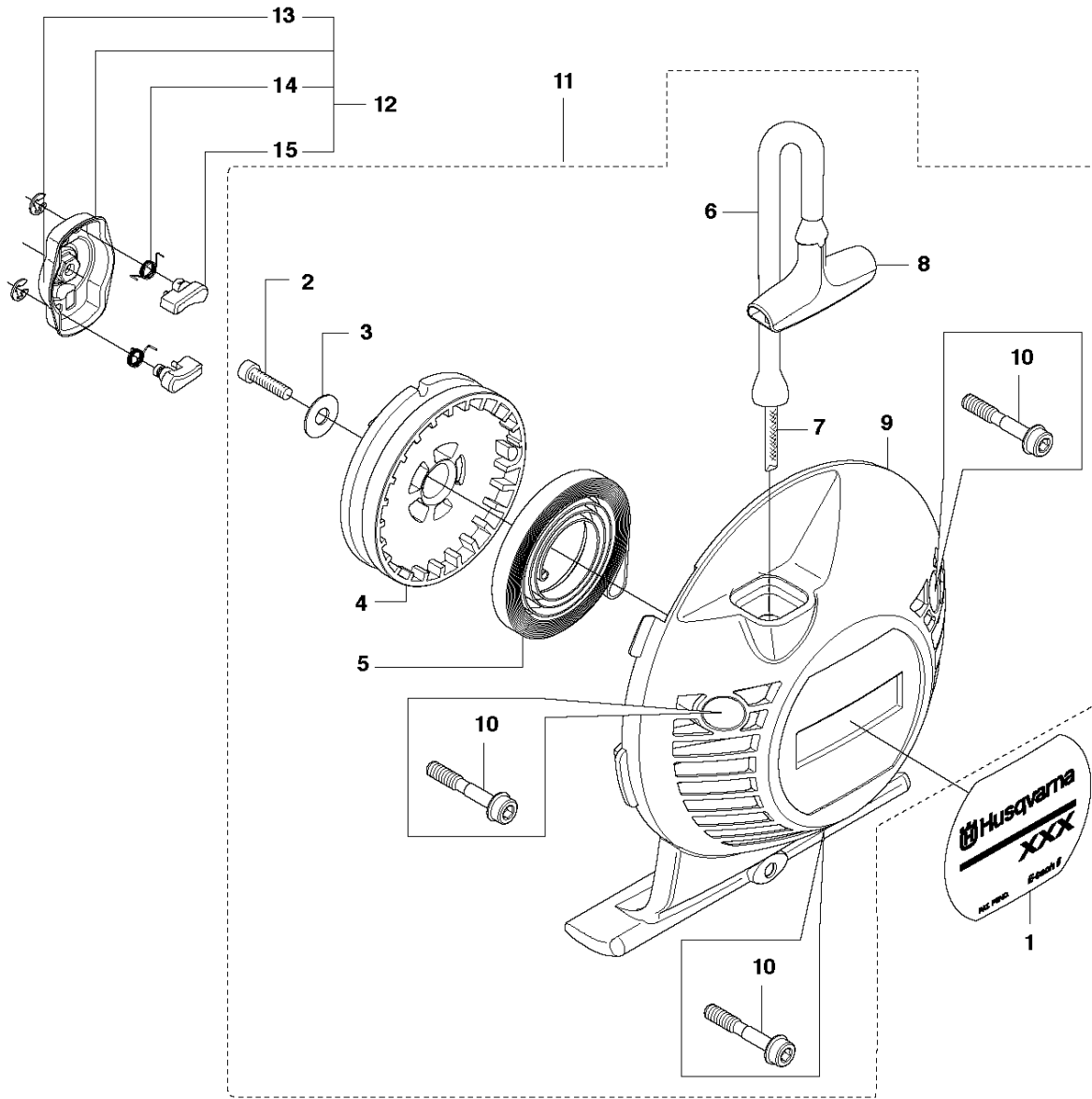
| Ref | Artikelnr    | Beskrivning       | Anmärkning | ANT | SATS |
|-----|--------------|-------------------|------------|-----|------|
| 1   | 521 99 18-01 | SELE KPL          |            | 1   |      |
| 2   | 731 23 16-01 | MUTTER (HEXAGON)  |            | 1   | 1    |
| 4   | 734 11 47-41 | BRICKA            |            | 1   | 1    |
| 5   | 522 48 74-01 | BÄLTE             |            | 1   | 1    |
| 6   | 537 33 15-01 | SPÄNNE            |            | 1   | 1    |
| 7   | 521 99 14-01 | AXELREM           |            | 1   | 1    |
| 8   | 521 88 77-01 | GENOMFÖRING       |            | 5   | 1    |
| 9   | 503 21 75-72 | SKRUV IHSCFT      |            | 5   | 1    |
| 10  | 503 74 01-02 | SNÄPPE            |            | 2   | 1    |
| 11  | 522 48 39-01 | HÅLLARE KPL       |            | 1   | 1    |
| 12  | 725 53 70-06 | SKRUV IHSCM       |            | 1   | 1    |
| 13  | 731 23 16-01 | MUTTER (HEXAGON)  |            | 1   | 1    |
| 14  | 522 02 88-01 | FJÄDER            |            | 3   | 1    |
| 15  | 503 21 75-72 | SKRUV IHSCFT      |            | 5   | 1    |
| 16  | 521 91 03-01 | FJÄDERHÅLLARE     |            | 3   | 1    |
| 17  | 522 98 33-01 | SVÄRDFÄSTE        |            | 1   | 1    |
| 18  | 503 21 07-16 | SKRUV IHSCFT      |            | 3   | 1    |
| 19  | 503 87 90-01 | KNOPP             |            | 1   | 1    |
| 20  | 725 23 76-51 | SKRUV EHHM        |            | 1   | 1    |
| 21  | 503 21 75-72 | SKRUV IHSCFT      |            | 5   | 1    |
| 22  | 522 98 31-01 | SVÄRDFÄSTE        |            | 1   | 1    |
| 23  | 725 53 35-55 | SKRUV IHSCM       |            | 1   | 1    |
| 24  | 510 36 36-01 | RAM               |            | 1   | 1    |
| 25  | 732 25 14-01 | HEXAGON LÅSMUTTER |            | 1   | 1    |
| 26  | 503 21 06-19 | SKRUV IHSCFT      |            | 3   | 1    |
| 27  | 503 21 75-72 | SKRUV IHSCFT      |            | 5   | 1    |
| 28  | 731 23 14-01 | MUTTER (HEXAGON)  |            | 3   |      |
| 29  | 731 23 16-01 | MUTTER (HEXAGON)  |            | 1   |      |
| 30  | 725 24 93-71 | SKRUV EHHM        |            | 1   |      |
| 31  | 734 11 72-01 | BRICKA            |            | 1   |      |

**A2** 535FBX  
HARNESS



| Ref | Artikelnr    | Beskrivning | Anmärkning | ANT | SATS |
|-----|--------------|-------------|------------|-----|------|
| 1   | 503 99 61-08 | BAND        |            | 1   | AL   |
| 2   | 522 92 07-01 | AXELREM     |            | 1   |      |
| 3   | 510 36 42-01 | BÄLTE       |            | 1   |      |

**K** 535FBX  
STARTER



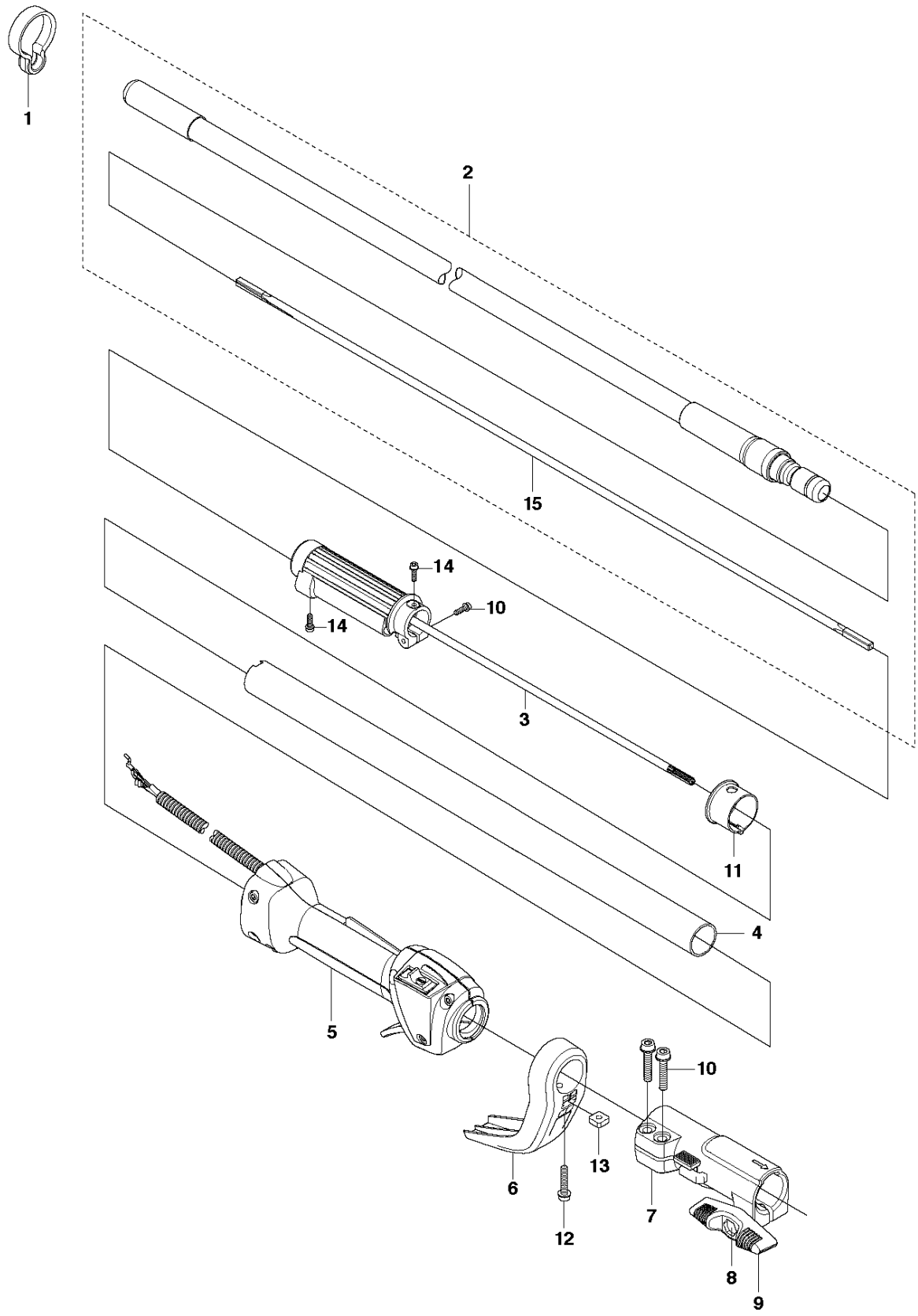


## STARTMOTOR

535 FBX

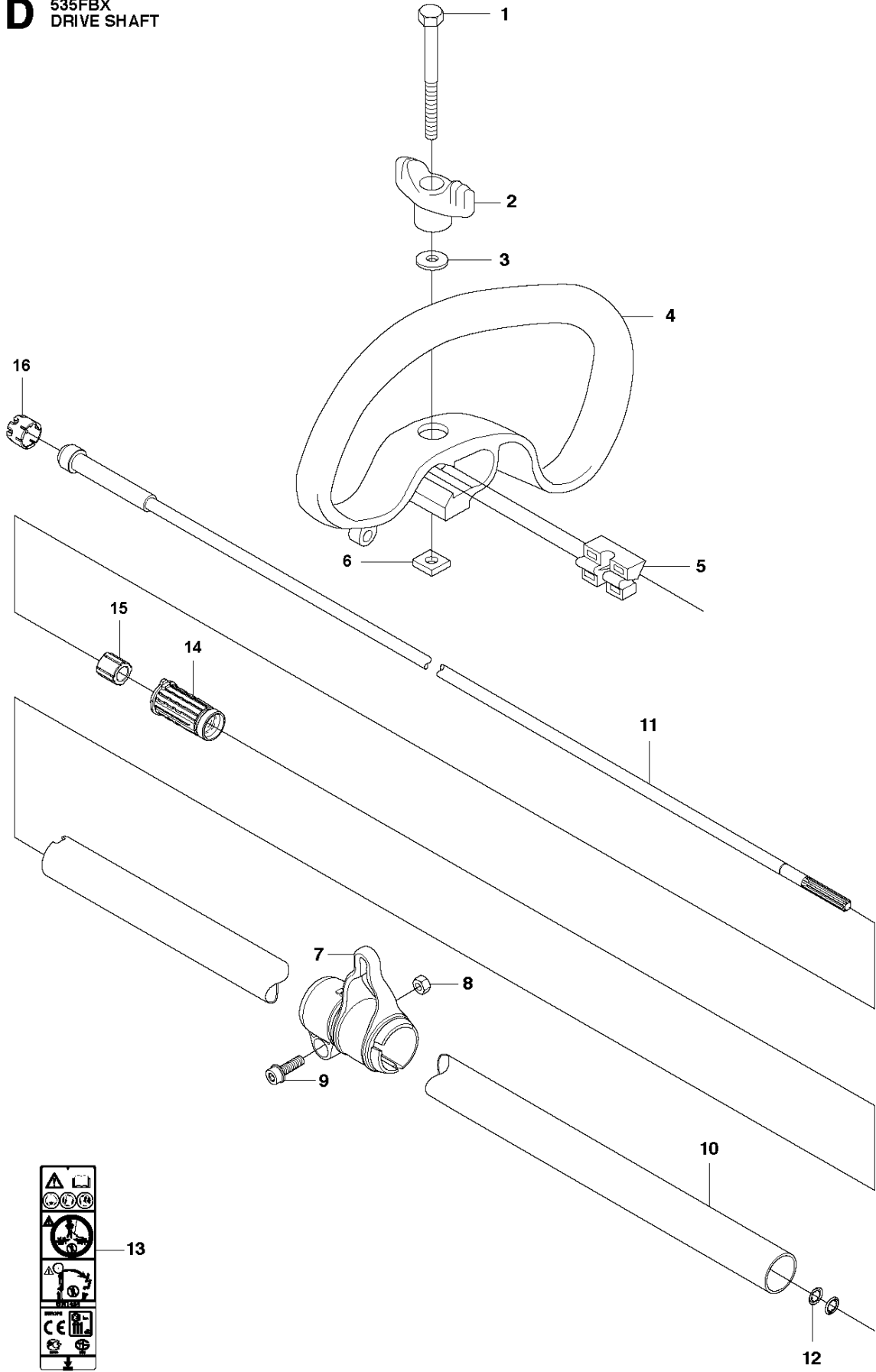
| Ref | Artikelnr    | Beskrivning      | Anmärkning                         | ANT | SATS  |
|-----|--------------|------------------|------------------------------------|-----|-------|
| 1   | 577 22 36-02 | DEKAL            |                                    | 1   |       |
| 2   | 503 21 79-20 | SKRUV IHSCF      |                                    | 1   | 11    |
| 3   | 535 07 23-01 | BRICKA           |                                    | 1   | 11    |
| 4   | 537 32 50-02 | LINHJUL          |                                    | 1   | 11    |
| 5   | 503 85 99-01 | RETURFJÄDER      |                                    | 1   | 11    |
| 6   | 522 87 64-01 | RUBBER CONDUIT   |                                    | 1   |       |
| 7   | 505 30 51-02 | STARTER CORD     |                                    | 1   | 11    |
| 8   | 537 23 25-01 | STARHANDTAG      |                                    | 1   | 11    |
| 9   | 544 10 25-02 | STARTAPPARAT     | Spare part incl. Screws<br>Pos. 10 | 1   | 11    |
| 10  | 573 99 43-05 | SKRUV IHSCFMO    | Captive screws                     | 3   | 9, 11 |
| 11  | 537 21 47-07 | STARTAPPARAT KPL |                                    | 1   |       |
| 12  | 503 87 33-05 | STARHAKA         |                                    | 1   |       |
| 13  | 735 31 08-20 | SPÄRRYTARE       |                                    | 2   | 12    |
| 14  | 503 87 36-01 | FJÄDER           |                                    | 1   | 12    |
| 15  | 503 87 35-02 | STARHAKA         |                                    | 2   | 12    |

**C** 535FBX  
TUBE



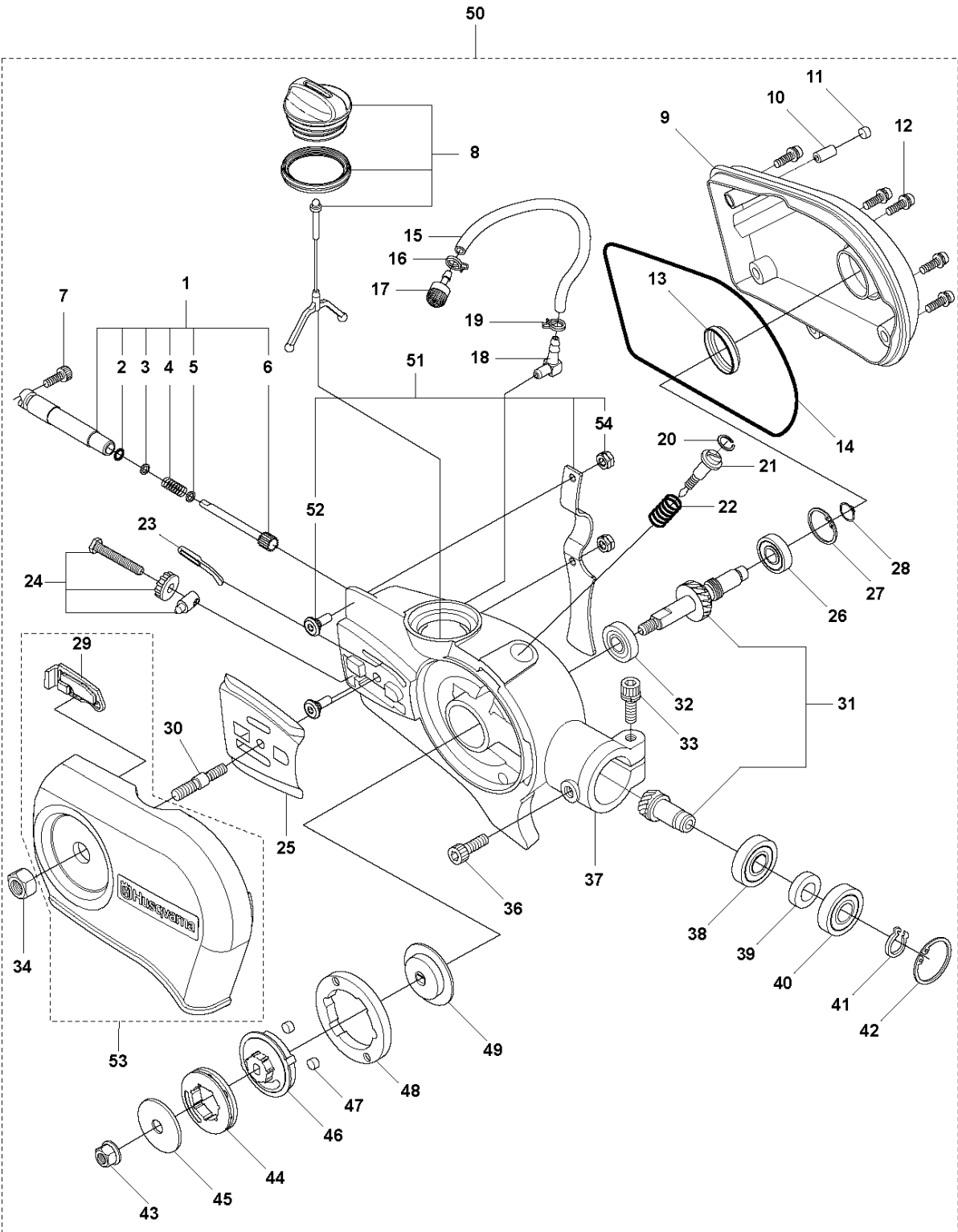
| Ref | Artikelnr    | Beskrivning    | Anmärkning | ANT | SATS |
|-----|--------------|----------------|------------|-----|------|
| 1   | 523 04 85-01 | ÖVERFALL       |            | 5   |      |
| 2   | 522 48 33-01 | SHAFT FLEXIBLE |            | 1   |      |
| 3   | 575 31 77-01 | DRIVAXEL KPL   |            | 1   |      |
| 4   | 575 24 32-01 | RÖR            |            | 1   |      |
| 5   | 544 14 36-06 | REGLAGE        |            | 1   |      |
| 6   | 523 06 26-01 | UTLÖSARE       |            | 1   |      |
| 7   | 544 36 75-02 | KLÄMHYLSA      |            | 1   |      |
| 8   | 725 23 76-51 | SKRUV EHHM     |            | 1   |      |
| 9   | 502 20 38-01 | KNOPP          |            | 1   |      |
| 10  | 503 20 07-25 | SKRUV IHSCFM   |            | 1   |      |
| 11  | 525 85 75-01 | DISTANSBRICKA  |            | 1   |      |
| 12  | 503 20 03-20 | SKRUV IHSCFM   |            | 1   |      |
| 13  | 503 22 65-04 | MUTTER 4-KANT  |            | 1   |      |
| 14  | 503 20 06-08 | SKRUV IHSCFM   |            | 2   |      |
| 15  | 586 92 82-01 | AXEL           |            | 1   | 2    |

**D** 535FBX  
DRIVE SHAFT



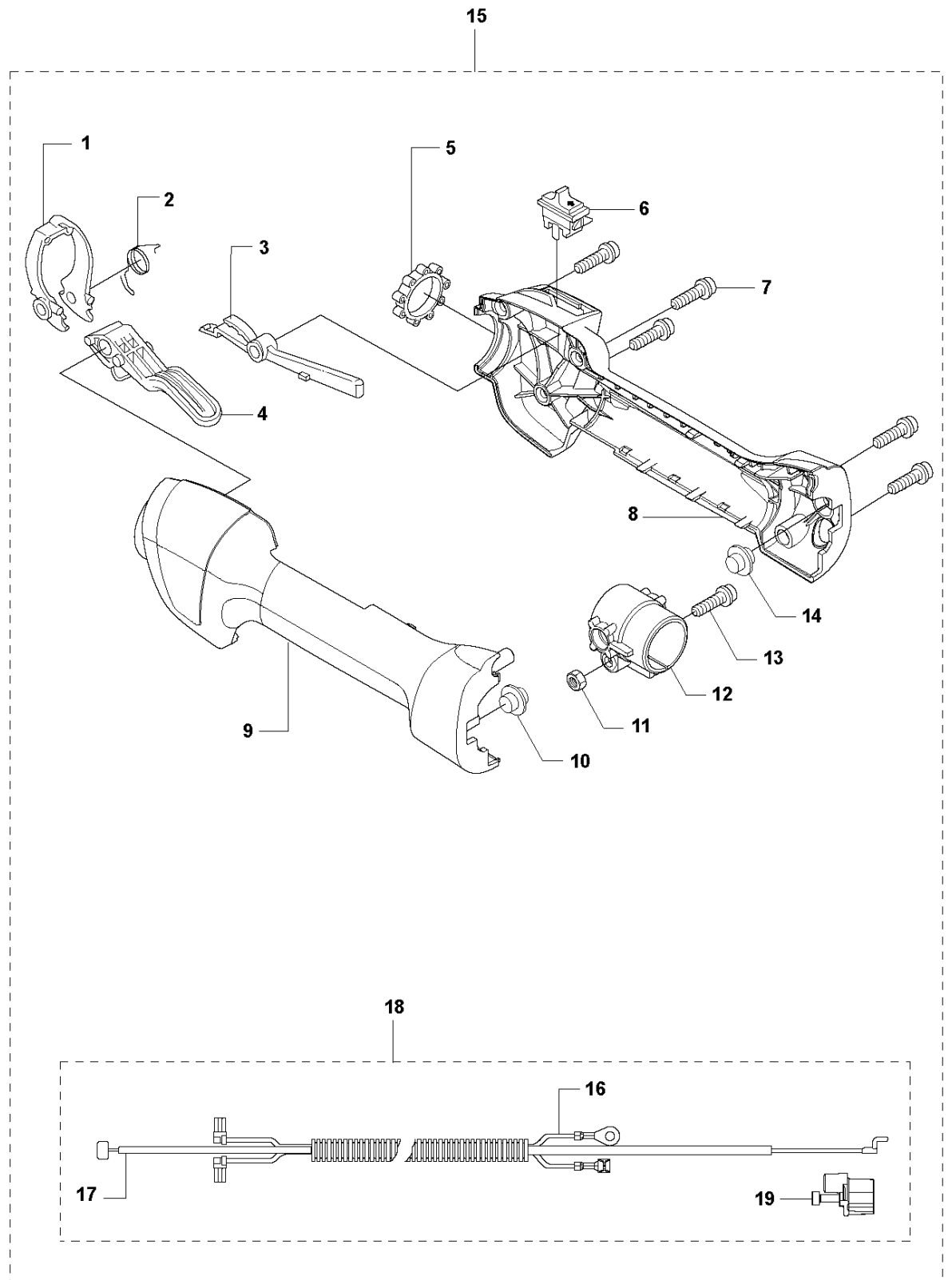
| Ref | Artikelnr    | Beskrivning      | Anmärkning | ANT SATS<br>AL |
|-----|--------------|------------------|------------|----------------|
| 1   | 725 23 80-51 | SKRUV EHHM       |            | 1              |
| 2   | 503 87 90-01 | KNOPP            |            | 1              |
| 3   | 503 23 00-61 | BRICKA           |            | 1              |
| 4   | 503 87 19-03 | HANDTAG          |            | 1              |
| 5   | 503 94 03-01 | DISTANS          |            | 1              |
| 6   | 502 19 71-01 | MUTTER 4-KANT    |            | 1              |
| 7   | 522 92 08-01 | LINFÄSTE         |            | 1              |
| 8   | 731 23 14-01 | MUTTER (HEXAGON) |            | 1              |
| 9   | 503 20 03-03 | SKRUV IHSCFM     |            | 1              |
| 10  | 574 43 78-01 | RÖR              |            | 1              |
| 11  | 587 41 17-03 | DRIVAXEL         |            | 1              |
| 12  | 735 58 08-10 | LÅSBRICKA        |            | 2              |
| 13  | 587 11 41-01 | DEKAL            |            | 1              |
| 14  | 587 41 46-01 | PLUGG            |            | 1              |
| 15  | 503 78 52-02 | STÖDLAGER        |            | 1              |
| 16  | 583 93 83-01 | KLÄMMA           |            | 1              |

**E** 535FBX  
SAW HEAD



| Ref | Artikelnr    | Beskrivning        | Anmärkning              | ANT | SATS<br>AL |
|-----|--------------|--------------------|-------------------------|-----|------------|
| 1   | 537 29 92-01 | OLJEPUMP KPL       |                         | 1   | 50         |
| 2   | 740 42 03-00 | O-RING             |                         | 1   | 50, 1      |
| 3   | 503 23 00-16 | BRICKA             |                         | 1   | 50, 1      |
| 4   | 503 18 49-01 | FJÄDER             |                         | 1   | 50, 1      |
| 5   | 503 23 00-16 | BRICKA             |                         | 1   | 50, 1      |
| 6   | 503 80 83-02 | PUMPKOLV           |                         | 1   | 50, 1      |
| 7   | 725 53 27-55 | SKRUV IHSCM        |                         | 1   | 50         |
| 8   | 537 28 15-02 | TANKLOCK KPL       |                         | 1   | 50         |
| 9   | 537 22 75-01 | NAVKAPSEL          |                         | 1   | 50         |
| 10  | 537 04 03-01 | VENTIL             |                         | 1   | 50         |
| 11  | 503 98 13-01 | PLUGG              |                         | 1   | 50         |
| 12  | 725 53 29-55 | SKRUV IHSCM        |                         | 5   | 50         |
| 13  | 537 33 01-01 | TÄTNING            |                         | 1   | 50         |
| 14  | 537 29 10-01 | O-RING             |                         | 1   | 50         |
| 15  | 537 29 11-01 | SLANG              |                         | 1   | 50         |
| 16  | 537 37 15-01 | SLANGKLÄMMA        |                         | 1   | 50         |
| 17  | 504 71 00-03 | OLJELOD            |                         | 1   | 50         |
| 18  | 504 34 00-04 | FITTING            |                         | 1   | 50         |
| 19  | 537 37 15-01 | SLANGKLÄMMA        |                         | 1   | 50         |
| 20  | 537 29 09-01 | SPÄRRING           |                         | 1   | 50         |
| 21  | 537 05 68-01 | JUSTERSKRUV        |                         | 1   | 50         |
| 22  | 503 97 82-01 | FJÄDER             |                         | 1   | 50         |
| 23  | 537 33 17-01 | OLJELEDARE         |                         | 1   | 50         |
| 24  | 537 22 82-01 | KEDJESPÄNNARE      |                         | 1   | 50         |
| 25  | 537 19 42-01 | KEDJELEDARPLÅT     |                         | 1   | 50         |
| 26  | 738 21 00-04 | KULLAGER           |                         | 1   | 50         |
| 27  | 735 31 27-10 | SPÄRRING           |                         | 1   | 50         |
| 28  | 735 31 12-00 | SPÄRRING           |                         | 1   | 50         |
| 29  | 575 55 37-01 | TÄTNINGSPLATTA     |                         | 1   | 50, 53     |
| 30  | 537 19 44-01 | SVÄRDSBULT         | M6-M8                   | 1   |            |
| 31  | 537 29 90-01 | KUGGHJULSSATS      |                         | 1   | 50         |
| 30  | 576 29 30-01 | SVÄRDSBULT         | M7-M8                   | 1   | 50         |
| 32  | 738 21 99-04 | KULLAGER           |                         | 1   | 50         |
| 33  | 725 53 33-55 | SKRUV IHSCM        |                         | 1   | 50         |
| 34  | 731 23 18-01 | MUTTER (HEXAGON)   |                         | 1   | 50         |
| 36  | 725 53 27-55 | SKRUV IHSCM        |                         | 1   | 50         |
| 37  | 537 22 74-01 | HUS                |                         | 1   | 50         |
| 38  | 738 21 99-04 | KULLAGER           |                         | 1   | 50         |
| 39  | 537 24 77-01 | DISTANSBRICKA      |                         | 1   | 50         |
| 40  | 738 21 99-04 | KULLAGER           |                         | 1   | 50         |
| 41  | 735 31 11-00 | SPÄRRING           |                         | 1   | 50         |
| 42  | 735 31 25-10 | SPÄRRING           |                         | 1   | 50         |
| 43  | 731 71 16-51 | HEXAGON NUT FLANGE |                         | 1   | 50         |
| 44  | 505 30 36-72 | FÄLG               |                         | 1   | 50         |
| 45  | 503 23 00-84 | BRICKA             |                         | 1   | 50         |
| 46  | 522 70 48-01 | NAV                |                         | 1   | 50         |
| 47  | 537 27 17-01 | BUSHING            |                         | 2   | 50         |
| 48  | 537 27 14-01 | RING               |                         | 1   | 50         |
| 49  | 537 27 16-01 | NAVKAPSEL          |                         | 1   | 50         |
| 50  | 575 12 25-01 | CUTTING HEAD ASSY  | up to s/n - 17250054020 | 1   |            |
| 50  | 575 12 25-02 | CUTTING HEAD ASSY  | from s/n 17250054021 -  | 1   |            |
| 51  | 577 98 19-01 | KROK               |                         | 1   | 50         |
| 52  | 501 81 99-01 | SCREW              |                         | 2   | 50, 51     |
| 53  | 575 54 18-01 | KEDJESKYDD         |                         | 1   |            |
| 54  | 503 22 24-01 | LOCK NUT           |                         | 2   | 51, 50     |

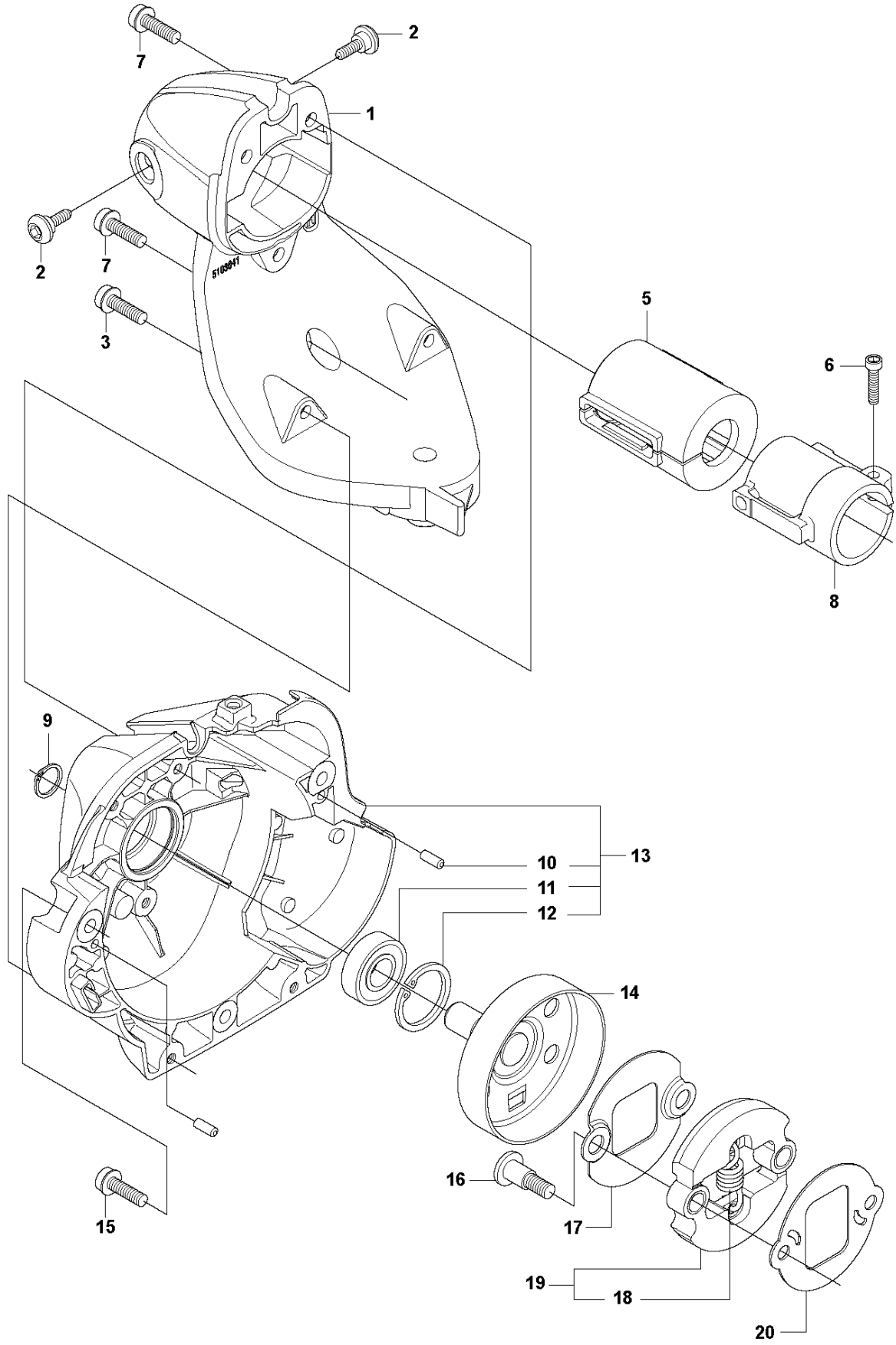
**F** 535FBX  
THROTTLE CONTROLS





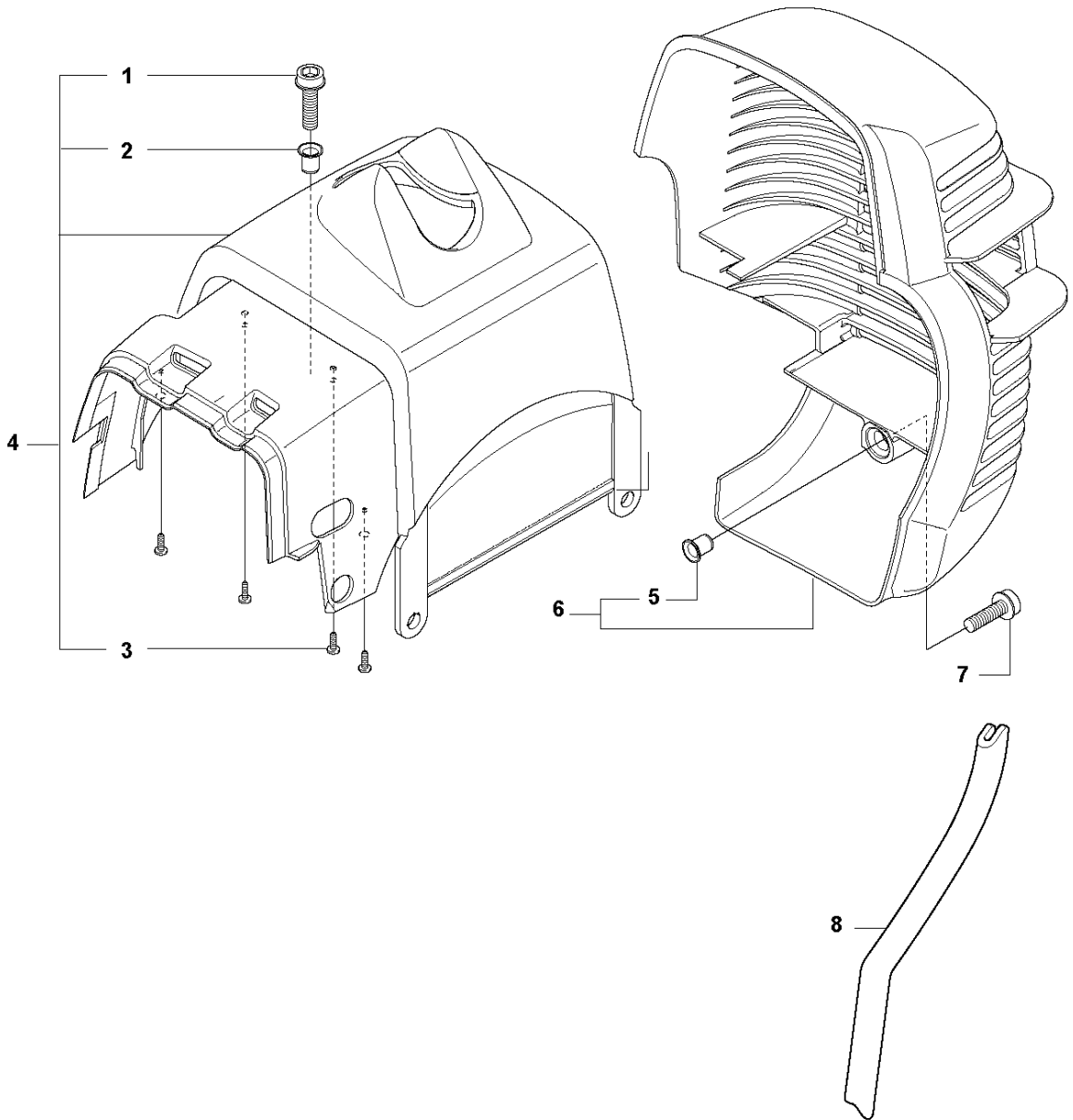
| Ref | Artikelnr    | Beskrivning        | Anmärkning | ANT | SATS   |
|-----|--------------|--------------------|------------|-----|--------|
| 1   | 503 91 81-01 | GASHÄVARM          |            | 1   | 15     |
| 2   | 544 10 08-01 | RETURFJÄDER        |            | 1   | 15     |
| 3   | 503 87 80-01 | GASSPÄRR           |            | 1   | 15     |
| 4   | 503 87 79-03 | THROTTLE TRIGGER   |            | 1   | 15     |
| 5   | 503 96 14-01 | ABSORBER           |            | 1   | 15     |
| 6   | 537 41 90-01 | BRYTARE            |            | 1   | 15     |
| 7   | 503 21 66-18 | SKRUV IHSCT        |            | 5   | 15     |
| 8   | 544 23 84-01 | HANDTAGSHALVA      |            | 1   | 15     |
| 8   | 544 10 02-02 | HANDTAGSHALVA      |            | 1   | 15     |
| 9   | 544 23 85-01 | HANDTAGSHALVA      |            | 1   | 15     |
| 9   | 544 10 03-02 | HANDTAGSHALVA      |            | 1   | 15     |
| 10  | 544 10 17-02 | DAMPER             |            | 1   | 15     |
| 11  | 731 23 14-01 | MUTTER (HEXAGON)   |            | 1   | 15     |
| 12  | 544 11 21-01 | HÅLLARE            |            | 1   | 15     |
| 13  | 503 20 03-20 | SKRUV IHSCFM       |            | 1   | 15     |
| 14  | 544 10 17-02 | DAMPER             |            | 1   | 15     |
| 15  | 544 14 36-06 | REGLAGE            |            | 1   |        |
| 16  | 503 87 85-08 | KORTSLUTNINGSKABEL |            | 1   | 15, 18 |
| 17  | 544 17 17-04 | THROTTLE WIRE ASSY |            | 1   | 15, 18 |
| 18  | 544 14 49-02 | KABLAGE KPL        |            | 1   |        |
| 19  | 575 35 60-01 | JUSTERINGSSKIVA    |            | 1   | 15, 18 |

**G** 535FBX  
CLUTCH & CLUTCH COVER



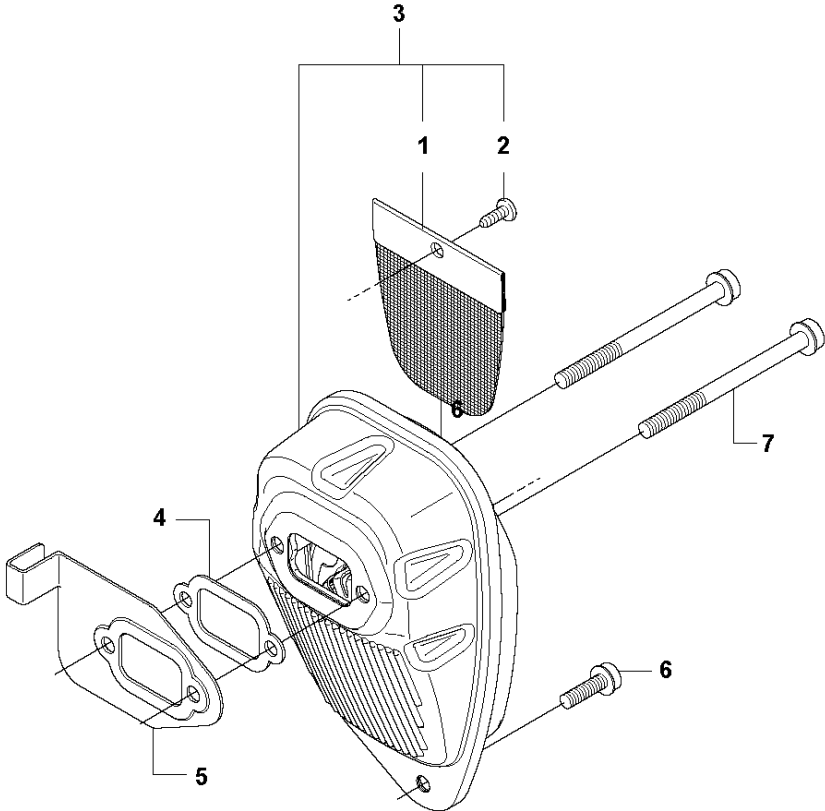
| Ref | Artikelnr    | Beskrivning         | Anmärkning                                 | ANT | SATS |
|-----|--------------|---------------------|--------------------------------------------|-----|------|
|     |              |                     |                                            | AL  |      |
| 1   | 510 36 41-01 | MOTOR BRACKET       |                                            | 1   |      |
| 2   | 503 96 13-02 | SCREW               |                                            | 2   |      |
| 3   | 503 21 74-16 | SKRUV IH SCT        | s/n up to - 20151500018<br>(for magnesium) | 2   |      |
| 3   | 725 53 29-56 | SKRUV IHSCM         | s/n from 20151500018 (for<br>aluminium)    | 2   |      |
| 5   | 537 32 27-01 | VIBRATIONISOLATOR   |                                            | 1   |      |
| 6   | 725 53 33-55 | SKRUV IHSCM         |                                            | 1   |      |
| 7   | 503 20 03-20 | SKRUV IHSCFM        |                                            | 4   |      |
| 8   | 537 31 01-03 | COMPRESSION SLEEVE  |                                            | 1   |      |
| 9   | 735 31 14-00 | SPÄRRING            |                                            | 1   |      |
| 10  | 503 24 07-02 | CYLINDRISK PINNE    |                                            | 2   | 13   |
| 11  | 738 21 01-04 | KULLAGER            |                                            | 1   | 13   |
| 12  | 735 31 28-10 | SPÄRRING            |                                            | 1   | 13   |
| 13  | 537 30 29-01 | KOPPLINGSKÅPA       | s/n up to - 20151500018<br>(Magnesium)     | 1   |      |
| 13  | 574 84 29-01 | KOPPLINGSKÅPA KPL   | s/n from 20151500019 -<br>(Aluminium)      | 1   |      |
| 14  | 522 47 14-01 | KOPPLINGSTRUMMA KPL |                                            | 1   |      |
| 15  | 503 20 03-20 | SKRUV IHSCFM        |                                            | 3   |      |
| 16  | 537 41 81-01 | SCREW               |                                            | 2   |      |
| 17  | 537 41 57-01 | BRICKA              |                                            | 1   |      |
| 18  | 537 42 72-01 | FJÄDER              |                                            | 1   | 19   |
| 19  | 537 34 04-01 | KOPPLING            |                                            | 1   |      |
| 20  | 537 04 68-01 | BRICKA              |                                            | 1   |      |

**H** 535FBX  
COVERS



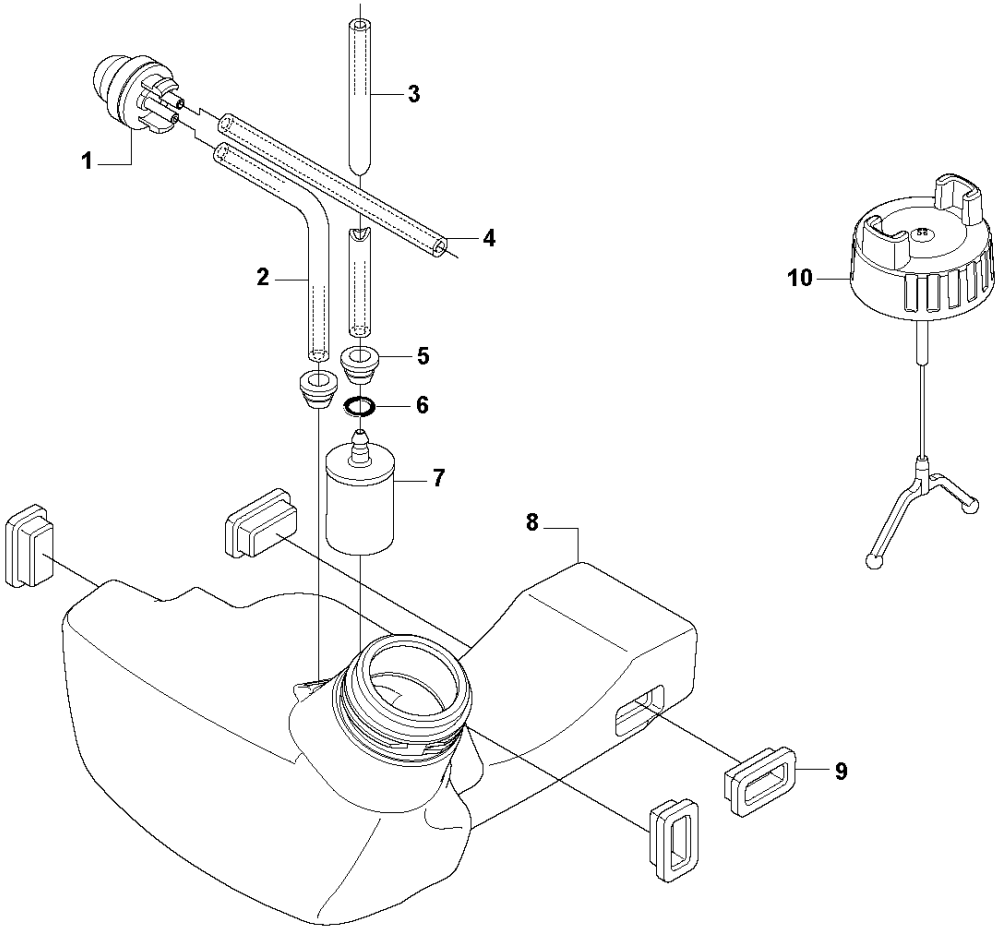
| Ref | Artikelnr    | Beskrivning   | Anmärkning | ANT | SATS |
|-----|--------------|---------------|------------|-----|------|
| 1   | 503 20 03-20 | SKRUV IHSCFM  |            | 1   | 4    |
| 2   | 537 37 38-02 | TUBULAR RIVET |            | 1   | 4    |
| 3   | 503 21 29-10 | SCREW CCRPANT |            | 4   | 4    |
| 4   | 544 16 01-01 | CYLINDERKÅPA  |            | 1   |      |
| 5   | 537 37 38-03 | TUBULAR RIVET |            | 1   | 6    |
| 6   | 537 42 51-01 | VÄRMESKYDD    |            | 1   |      |
| 7   | 503 20 03-20 | SKRUV IHSCFM  |            | 1   |      |
| 8   | 503 21 75-16 | SKRUV IHSCFT  |            | 2   |      |
| 9   | 537 39 52-11 | DEKAL         |            | 1   |      |

**J** 535FBX  
MUFFLER



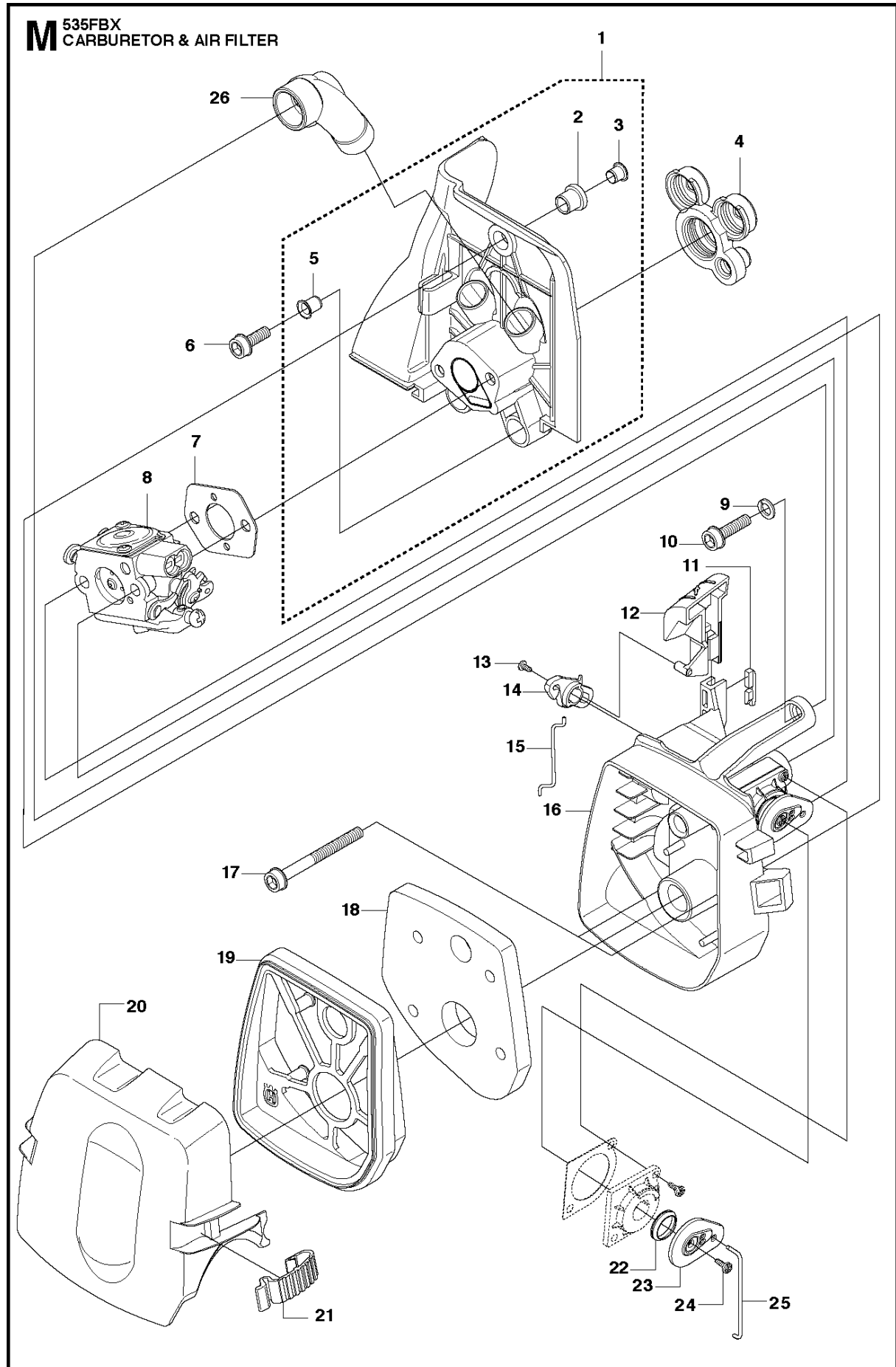
| Ref | Artikelnr    | Beskrivning     | Anmärkning | ANT | SATS |
|-----|--------------|-----------------|------------|-----|------|
| 1   | 544 11 68-01 | GNISTFÅNGARNÄT  |            | 1   | 3    |
| 2   | 724 12 87-59 | SKRUV CRPANM    |            | 1   | 3    |
| 3   | 505 40 86-01 | LJUDDÄMPARE KPL | CAT        | 1   |      |
| 4   | 537 33 31-01 | PACKNING        |            | 1   |      |
| 5   | 537 34 08-01 | LUFTLEDARE      |            | 1   |      |
| 6   | 503 20 03-20 | SKRUV IHSCFM    |            | 1   |      |
| 7   | 503 20 29-63 | SKRUV IHSCFM    |            | 2   |      |

**L** 535FBX  
FUEL TANK



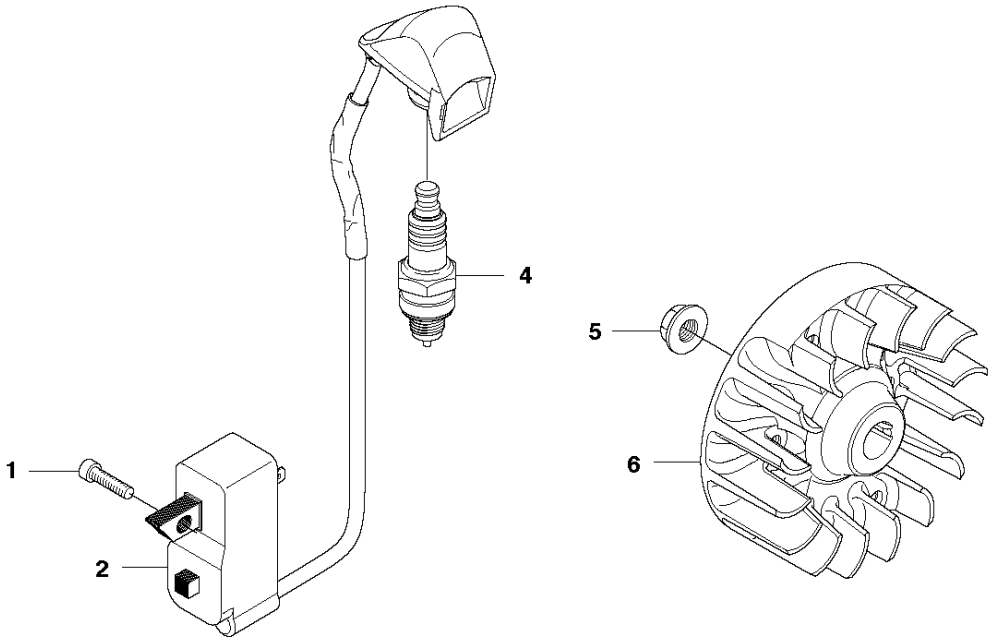


| Ref | Artikelnr    | Beskrivning   | Anmärkning | ANT SATS<br>AL |
|-----|--------------|---------------|------------|----------------|
| 1   | 503 93 66-01 | PURGE         |            | 1              |
| 2   | 537 04 24-12 | BRÄNSLESLANG  |            | 1              |
| 3   | 578 97 56-02 | BRÄNSLESLANG  |            | 1              |
| 4   | 537 04 24-12 | BRÄNSLESLANG  |            | 1              |
| 5   | 503 73 58-01 | BUSHING       |            | 2              |
| 6   | 537 18 49-01 | O-RING        |            | 1              |
| 7   | 503 44 32-01 | BRÄNSLEFILTER |            | 1              |
| 8   | 544 32 88-01 | TANK KPL      |            | 1              |
| 9   | 503 91 10-01 | UPPHÄNGNING   |            | 4              |
| 10  | 503 91 18-02 | TANKLOCK      |            | 1              |



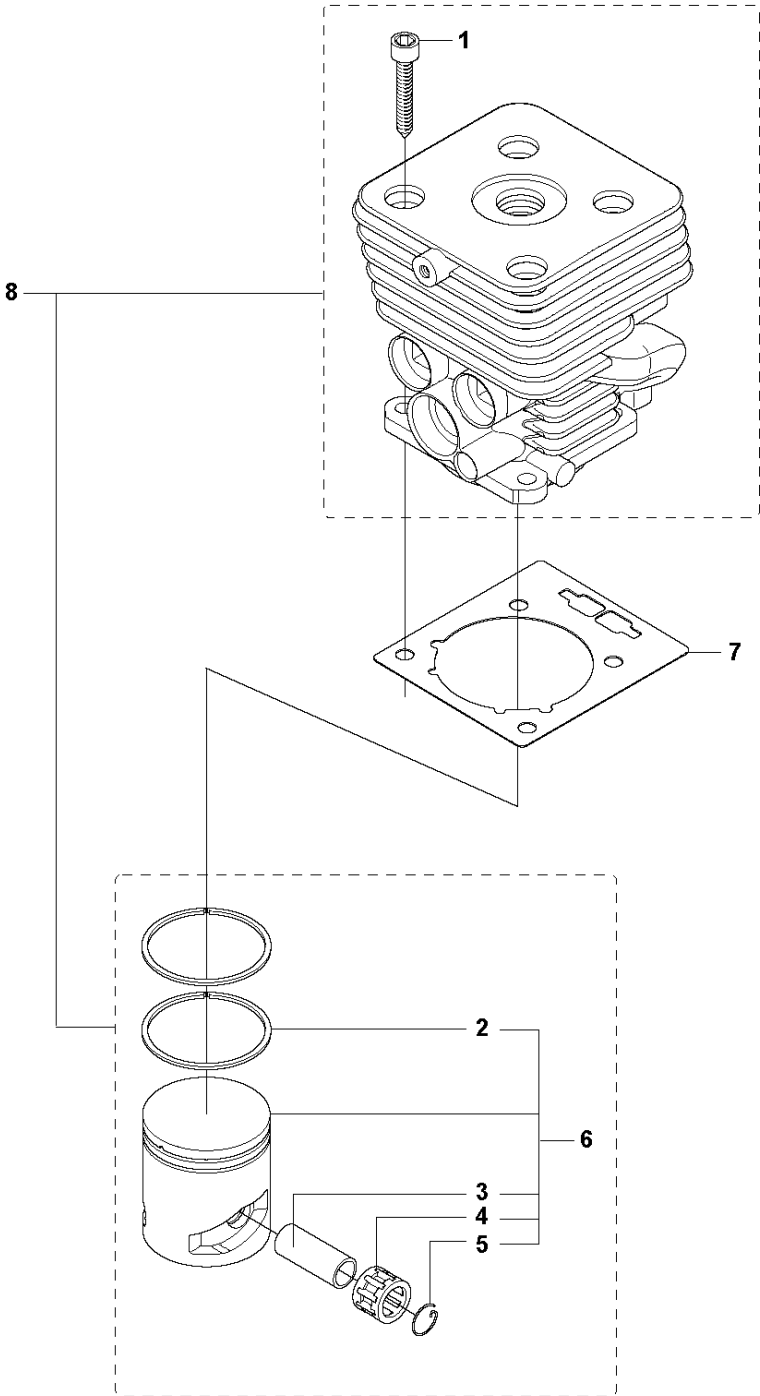
| Ref | Artikelnr    | Beskrivning   | Anmärkning    | ANT | SATS |
|-----|--------------|---------------|---------------|-----|------|
|     |              |               |               | AL  |      |
| 1   | 537 37 12-02 | MELLANVÄGG    |               | 1   |      |
| 2   | 537 37 11-01 | HYLSA         |               | 1   | 1    |
| 3   | 544 01 91-01 | TUBULAR RIVET |               | 1   | 1    |
| 4   | 537 33 43-01 | INSUGSRÖR     |               | 1   |      |
| 5   | 537 37 38-03 | TUBULAR RIVET |               | 2   | 1    |
| 6   | 503 20 03-16 | SKRUV IHSCFM  |               | 2   |      |
| 7   | 503 49 71-01 | PACKNING      |               | 1   |      |
| 8   | 581 16 75-01 | FÖRGASARE     | ZAMA C1Q-EL36 | 1   |      |
| 9   | 503 23 10-06 | BRICKA        |               | 1   |      |
| 10  | 503 20 03-20 | SKRUV IHSCFM  |               | 1   |      |
| 11  | 544 02 58-01 | SVÄRD         |               | 1   |      |
| 12  | 537 33 71-01 | CHOKEREGGLAGE |               | 1   |      |
| 13  | 503 21 29-06 | SCREW CCRPANT |               | 1   |      |
| 14  | 537 35 58-01 | HÄVARM        |               | 1   |      |
| 15  | 544 37 27-01 | LÄNKARM       |               | 1   |      |
| 16  | 537 31 41-01 | FILTERHÅLLARE |               | 1   |      |
| 17  | 503 21 75-50 | SKRUV IHSCFT  |               | 2   |      |
| 18  | 537 33 72-01 | FILTER        |               | 1   |      |
| 19  | 537 31 42-01 | RAM           |               | 1   |      |
| 20  | 537 31 44-01 | FILTERLOCK    |               | 1   |      |
| 21  | 537 38 72-01 | SNÄPPE        |               | 2   |      |
| 22  | 544 01 47-01 | BÄLG          |               | 1   |      |
| 23  | 544 01 46-01 | HÄVARM        |               | 1   |      |
| 24  | 503 21 29-06 | SCREW CCRPANT |               | 1   |      |
| 25  | 537 34 90-01 | HÄVARM        |               | 1   |      |
| 26  | 537 34 13-01 | LUFTKANAL     |               | 1   |      |

**L** 535 FBX  
IGNITION



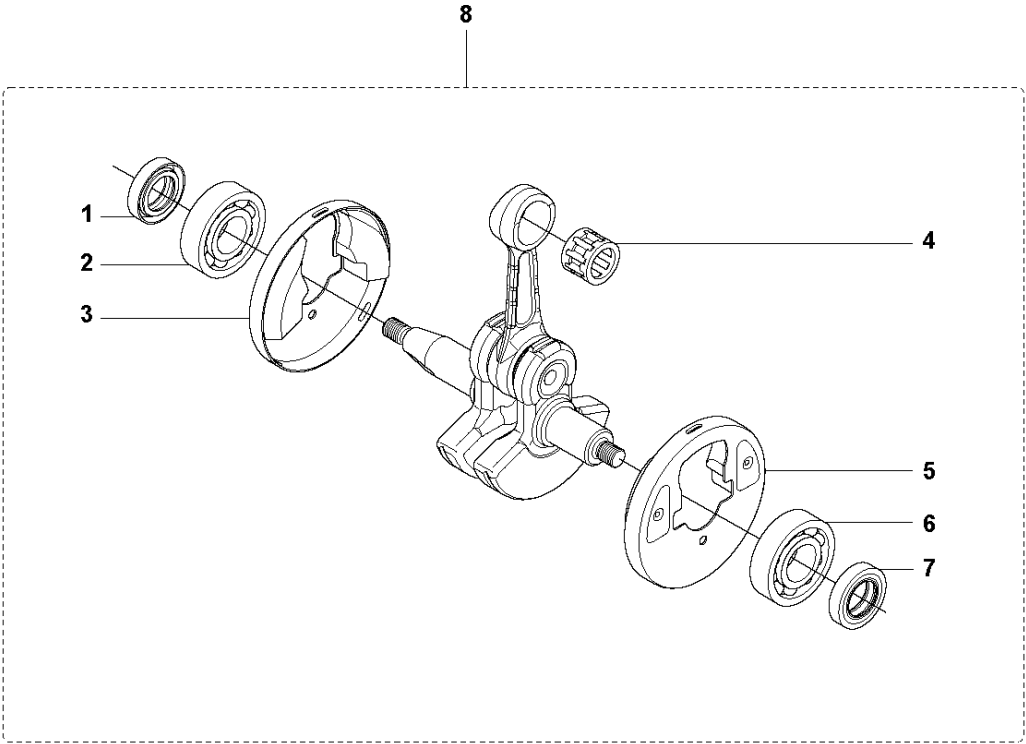
| Ref | Artikelnr    | Beskrivning        | Anmärkning         | ANT SATS<br>AL |
|-----|--------------|--------------------|--------------------|----------------|
| 1   | 503 21 66-18 | SKRUV IHSCT        |                    | 2              |
| 2   | 544 12 70-02 | TÄNDMODUL          |                    | 1              |
| 4   | 503 23 51-09 | TÄNDSTIFT          | CH RCJ6Y (Ø=14 mm) | 1              |
| 5   | 731 71 16-51 | HEXAGON NUT FLANGE |                    | 1              |
| 6   | 537 24 96-01 | SVÄNGHJUL          |                    | 1              |

**P** 535FBX  
CYLINDER PISTON



| Ref | Artikelnr    | Beskrivning  | Anmärkning             | ANT | SATS |
|-----|--------------|--------------|------------------------|-----|------|
| 1   | 503 20 08-23 | SKRUV IHSCM  |                        | 4   | 8    |
| 2   | 503 28 90-54 | KOLVRING     |                        | 2   | 6,8  |
| 3   | 503 28 91-19 | KOLVBULT     |                        | 1   | 6,8  |
| 4   | 503 41 41-01 | NÅLLAGER     |                        | 1   | 6,8  |
| 5   | 737 44 10-00 | LÅSRING      |                        | 2   | 6,8  |
| 6   | 585 99 83-02 | KOLV KPL     |                        | 1   | 8    |
| 7   | 537 33 30-01 | PACKNING     |                        | 1   |      |
| 8   | 544 40 06-01 | CYLINDER KPL | Ø = 38mm. 574 36 43-01 | 1   |      |

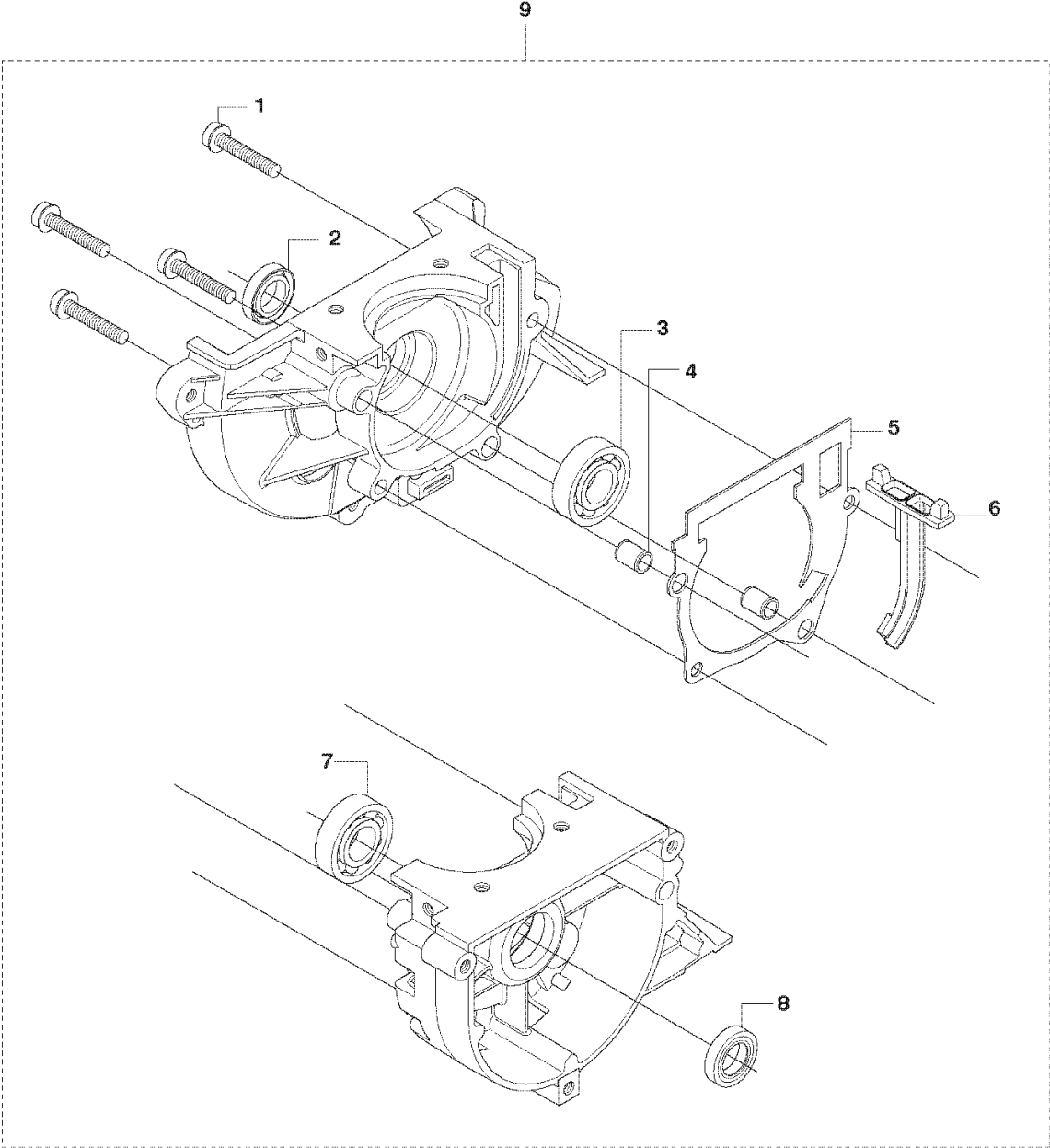
**Q** 535FBX  
CRANK SHAFT





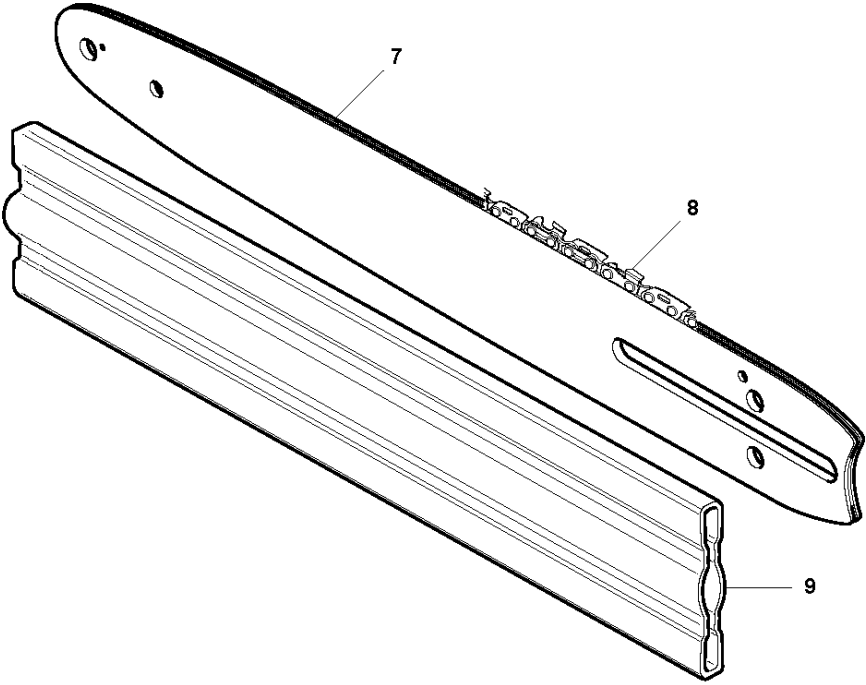
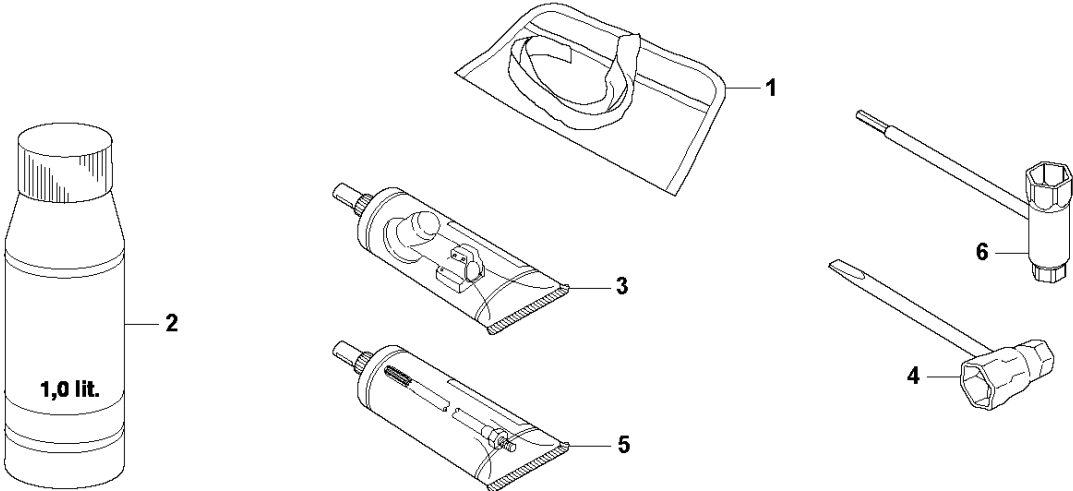
| Ref | Artikelnr    | Beskrivning  | Anmärkning | ANT | SATS |
|-----|--------------|--------------|------------|-----|------|
| 1   | 503 26 02-02 | SEALING RING |            | 1   | 8    |
| 2   | 738 21 01-10 | KULLAGER     |            | 1   | 8    |
| 3   | 537 29 76-01 | KOPP         |            | 1   | 8    |
| 4   | 503 41 41-01 | NÄLLAGER     |            | 1   | 8    |
| 5   | 537 29 76-01 | KOPP         |            | 1   | 8    |
| 6   | 738 21 01-10 | KULLAGER     |            | 1   | 8    |
| 7   | 503 26 02-02 | SEALING RING |            | 1   | 8    |
| 8   | 544 03 90-01 | VEVAXEL KPL  |            | 1   |      |

**R** 535FBX  
CRANK CASE

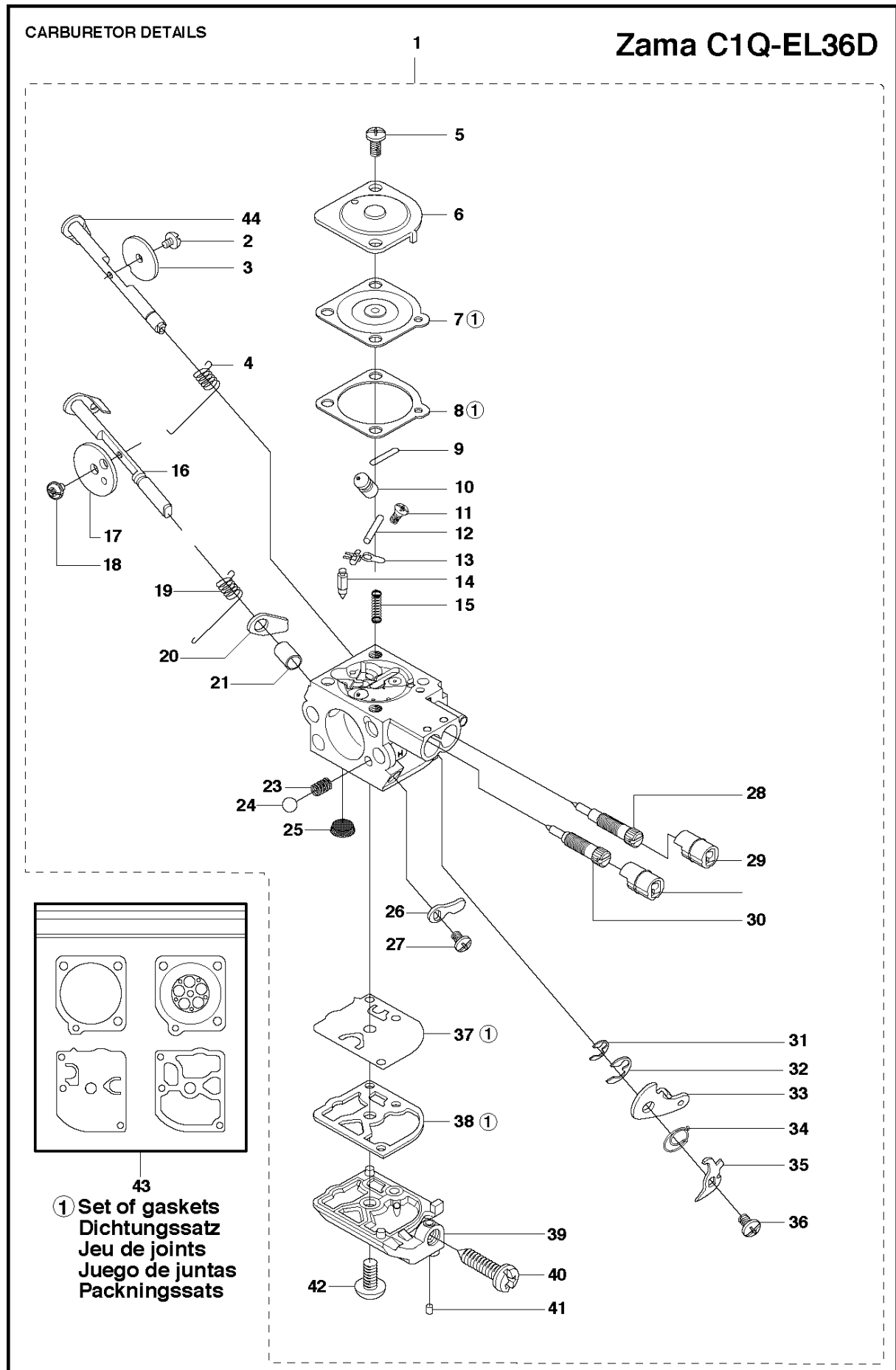


| Ref | Artikelnr    | Beskrivning  | Anmärkning                             | ANT | SATS |
|-----|--------------|--------------|----------------------------------------|-----|------|
| 1   | 503 20 02-30 | SKRUV IHSCFM |                                        | 4   | 9    |
| 2   | 503 26 02-02 | SEALING RING |                                        | 1   | 9    |
| 3   | 738 21 01-10 | KULLAGER     |                                        | 1   | 9    |
| 4   | 593 80 60-01 | STYRHYLSA    |                                        | 2   | 9    |
| 5   | 593 77 76-01 | PACKNING     |                                        | 1   | 9    |
| 6   | 537 32 42-01 | INSATS       |                                        | 1   | 9    |
| 7   | 738 21 01-10 | KULLAGER     |                                        | 1   | 9    |
| 8   | 503 26 02-02 | SEALING RING |                                        | 1   | 9    |
| 9   | 544 03 89-01 | VEVHUS KPL   | s/n up to - 20151500018<br>(Magnesium) | 1   |      |
| 9   | 585 38 22-01 | VEVHUS KPL   | s/n from 20151500019 -<br>(Aluminium)  | 1   |      |

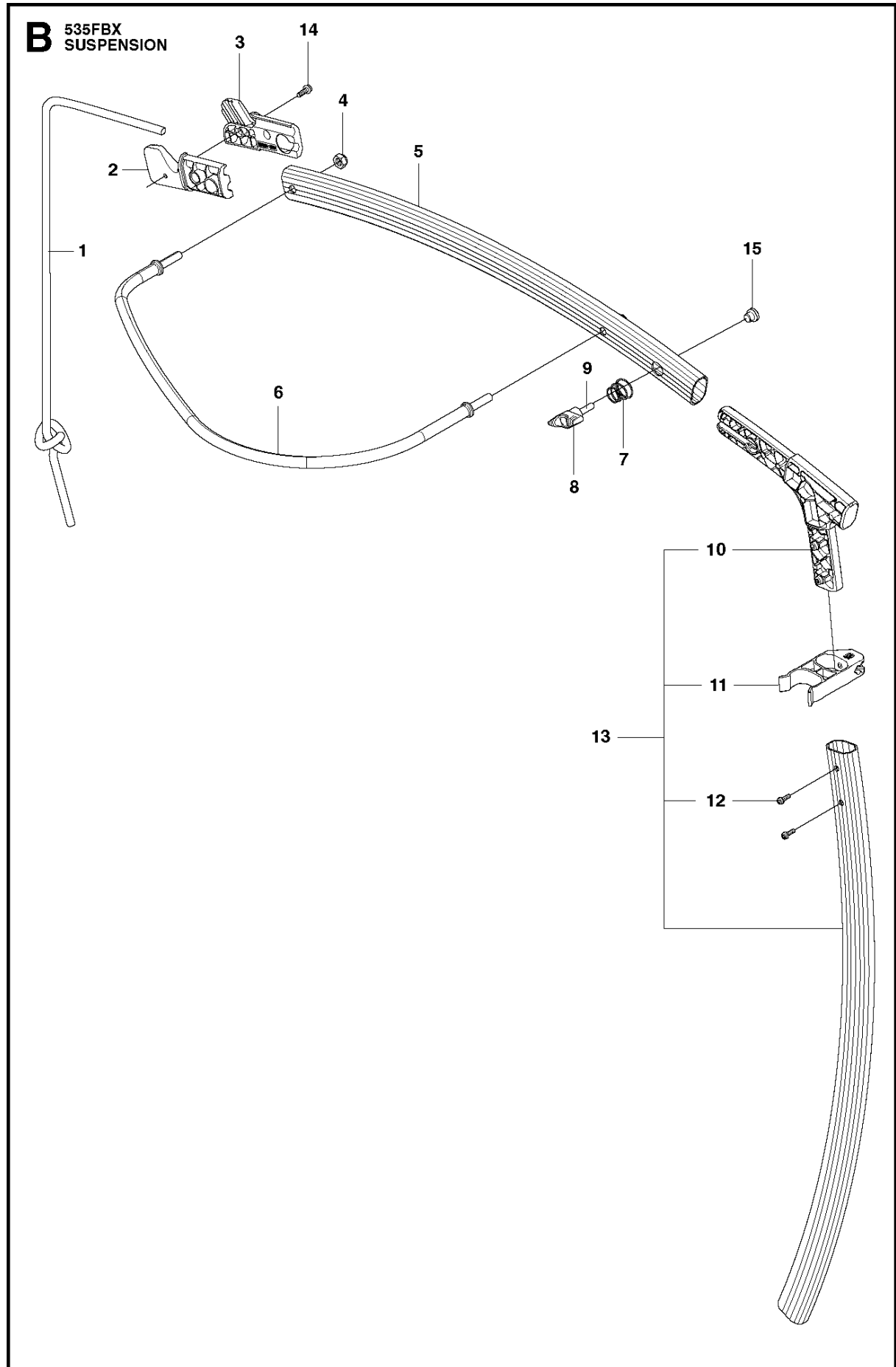
**T** 535FBX  
ACCESSORIES



| Ref | Artikelnr    | Beskrivning | Anmärkning         | ANT SATS<br>AL |
|-----|--------------|-------------|--------------------|----------------|
| 1   | 501 19 22-01 | VERKTYG     |                    | 1              |
| 2   | 531 00 92-48 | FILTEROLJA  | Oil Airfilter      | 1              |
| 3   | 503 98 96-05 | FETT        |                    | 1              |
| 4   | 501 69 17-01 | KOMBINYCKEL |                    | 1              |
| 5   | 503 80 17-01 | FETT        |                    | 1              |
| 6   | 537 36 21-01 | KOMBINYCKEL |                    | 1              |
| 7   | 578 40 01-56 | SVÄRD       | 13" 325 1,3mm 56DL | 1              |
| 8   | 581 64 31-56 | SAW CHAIN   | 325 1,3mm SP33G    | 1              |
| 9   | 537 12 99-01 | SVÄRDSSKYDD |                    | 1              |



| Ref | Artikelnr    | Beskrivning         | Anmärkning | ANT | SATS<br>AL |
|-----|--------------|---------------------|------------|-----|------------|
| 1   | 581 16 75-01 | FÖRGASARE           |            | 1   |            |
| 2   | 503 47 92-01 | SCREW               |            | 1   | 1          |
| 3   | 537 41 72-01 | VENTIL              |            | 1   | 1          |
| 4   | 544 37 24-01 | FJÄDER              |            | 1   | 1          |
| 5   | 503 48 05-01 | SCREW               |            | 2   | 1          |
| 6   | 503 97 43-01 | KÅPA                |            | 1   | 1          |
| 7   | 537 04 89-01 | MEMBRAN             |            | 1   | 1, 43      |
| 8   | 537 02 04-01 | PACKNING            |            | 1   | 1, 43      |
| 9   | 503 53 56-01 | PLUG WELCH          |            | 1   | 1          |
| 10  | 581 89 95-01 | NOZZLE MAIN         |            | 1   | 1          |
| 11  | 503 48 01-01 | SCREW               |            | 1   | 1          |
| 12  | 503 48 00-01 | PIN RETAINING SCREW |            | 1   | 1          |
| 13  | 503 66 59-01 | HÄVARM              |            | 1   | 1          |
| 14  | 503 47 97-01 | VENTIL              |            | 1   | 1          |
| 15  | 503 47 81-01 | FJÄDER              |            | 1   | 1          |
| 16  | 544 37 22-01 | AXEL KPL            |            | 1   | 1          |
| 17  | 537 37 03-01 | VENTIL              |            | 1   | 1          |
| 18  | 503 48 18-01 | SCREW               |            | 1   | 1          |
| 19  | 544 37 26-01 | FJÄDER              |            | 1   | 1          |
| 20  | 544 37 25-01 | HÄVARM              |            | 1   | 1          |
| 21  | 544 42 70-01 | KRAGE               |            | 1   | 1          |
| 23  | 537 01 26-01 | FJÄDER              |            | 1   | 1          |
| 24  | 537 01 25-01 | KULA                |            | 1   | 1          |
| 25  | 503 48 13-01 | SIL                 |            | 1   | 1          |
| 26  | 544 37 23-01 | HÄVARM              |            | 1   | 1          |
| 27  | 503 47 90-01 | SCREW               |            | 1   | 1          |
| 28  | 537 41 69-01 | SCREW               |            | 1   | 1          |
| 29  | 537 41 70-01 | LIMITER CAP         |            | 2   | 1          |
| 30  | 581 89 93-01 | SCREW               |            | 1   | 1          |
| 31  | 537 38 52-01 | KLÄMMA              |            | 1   | 1          |
| 32  | 537 38 50-01 | KLÄMMA              |            | 1   | 1          |
| 33  | 537 41 73-01 | HÄVARM              |            | 1   | 1          |
| 34  | 576 74 66-01 | FJÄDER              |            | 1   | 1          |
| 35  | 537 41 74-01 | HÄVARM              |            | 1   | 1          |
| 36  | 502 07 84-01 | SCREW               |            | 1   | 1          |
| 37  | 537 02 00-01 | DIAPHRAGM PUMP      |            | 1   | 1, 43      |
| 38  | 537 02 01-01 | PACKNING            |            | 1   | 1, 43      |
| 39  | 537 41 68-01 | KÅPA                |            | 1   | 1          |
| 40  | 537 02 07-01 | SCREW               |            | 1   | 1          |
| 41  | 503 48 11-01 | PIECE               |            | 1   | 1          |
| 42  | 503 47 96-01 | SCREW               |            | 1   | 1          |
| 43  | 531 00 45-52 | PACKNINGSSATS       |            | 1   |            |
| 44  | 544 37 21-01 | AXEL KPL            |            | 1   | 1          |





| Ref | Artikelnr    | Beskrivning       | Anmärkning | ANT | SATS |
|-----|--------------|-------------------|------------|-----|------|
|     |              |                   |            | AL  |      |
| 1   | 523 34 69-01 | GUMMISNÖRE        |            | 1   |      |
| 2   | 577 87 42-01 | CLAMP STRAP       |            | 1   |      |
| 3   | 577 87 43-01 | CLAMP STRAP       |            | 1   |      |
| 4   | 732 25 18-01 | HEXAGON LÄSMUTTER |            | 1   |      |
| 5   | 510 36 19-01 | SVÄRD             |            | 1   |      |
| 6   | 522 43 92-01 | SKYDDSBÅGE        |            | 1   |      |
| 7   | 574 44 85-01 | FJÄDER            |            | 1   |      |
| 8   | 503 87 90-01 | KNOPP             |            | 1   |      |
| 9   | 725 23 74-51 | SKRUV EHHM        |            | 1   |      |
| 10  | 523 08 57-01 | ANSLUTNING        |            | 1   | 13   |
| 11  | 523 09 59-01 | SVÄRD             |            | 1   | 13   |
| 12  | 503 21 75-72 | SKRUV IHSCFT      |            | 2   | 13   |
| 13  | 523 08 76-01 | SVÄRD             |            | 1   |      |
| 14  | 503 21 07-16 | SKRUV IHSCCT      |            | 1   |      |
| 15  | 525 23 83-01 | NITMUTTER         |            | 1   |      |