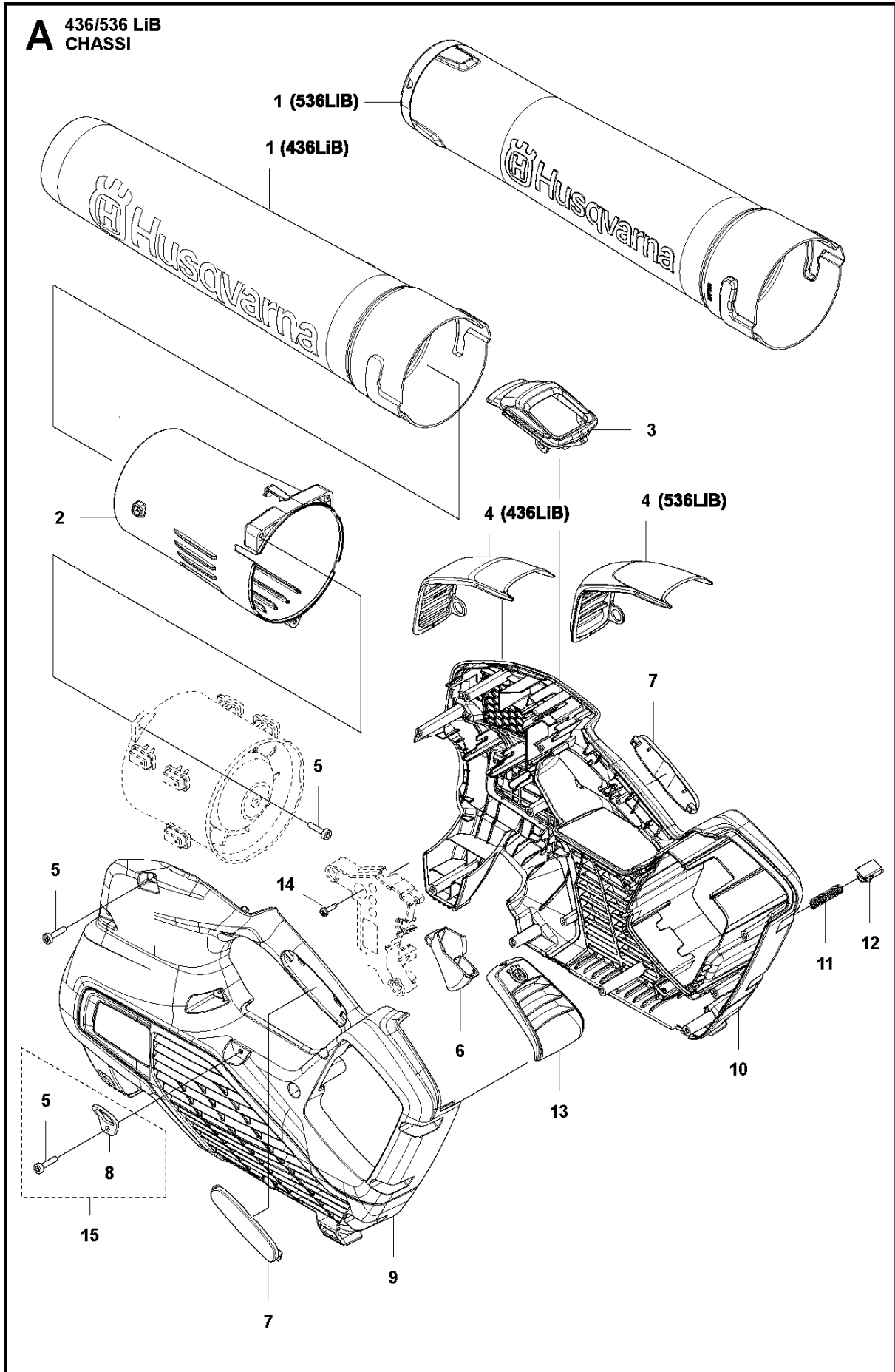




SPARE PARTS LIST

BLOWERS

536LiB from s/n 20180200037

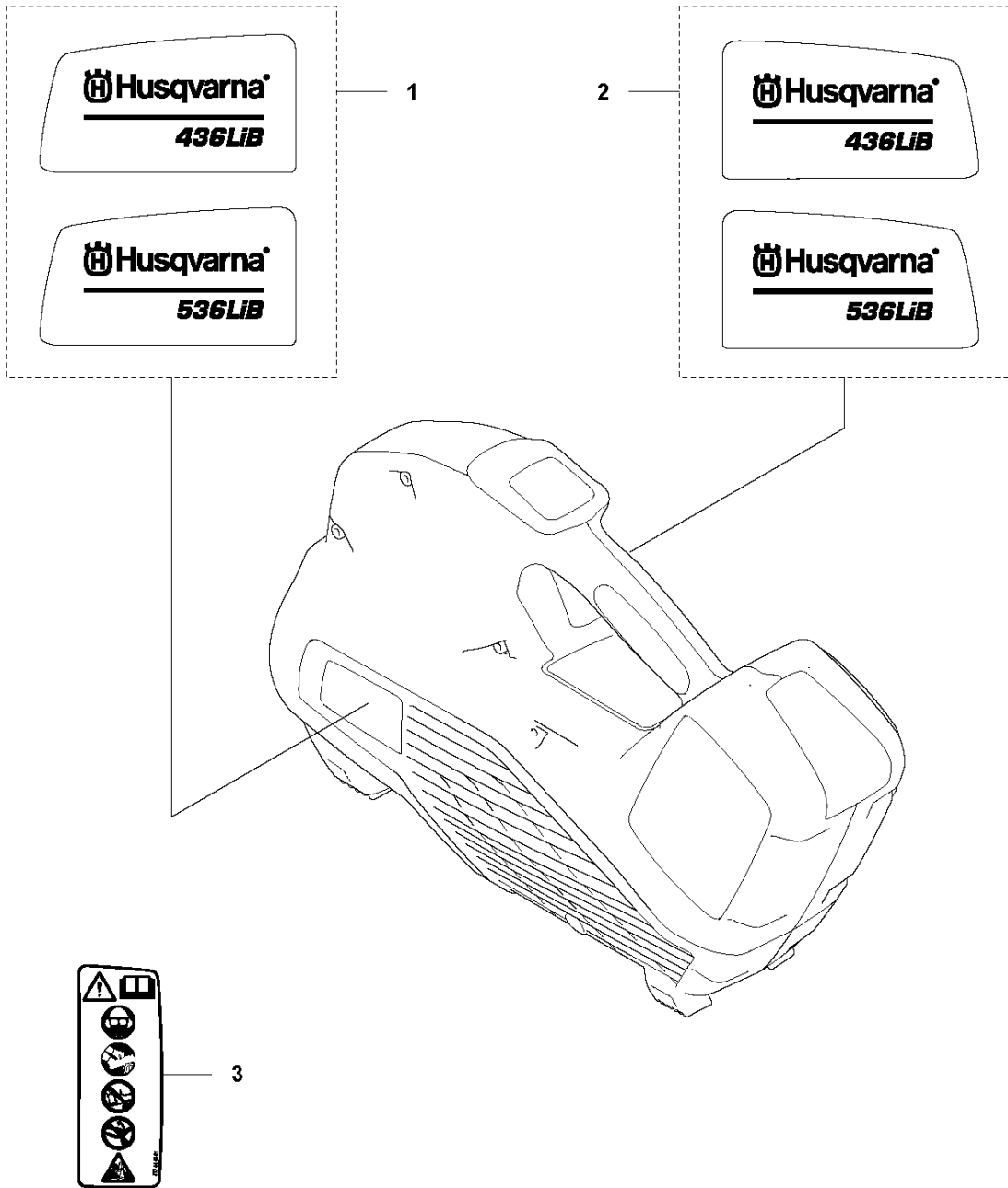


TUBE

536LiB from s/n 20180200037

| Ref | Part No | Description | Remark | QTY | KIT |
|-----|--------------|------------------|---------------|-----|-----|
| 1 | 586 10 63-02 | TUBE ASSY | 536LiB (Long) | 1 | |
| 1 | 582 59 96-01 | NOZZLE | 436LiB (Long) | 1 | |
| 2 | 582 50 16-01 | TUBE | | 1 | |
| 3 | 584 21 37-01 | FRAME | | 1 | |
| 4 | 584 91 47-01 | COVER | 536LiB | 1 | |
| 4 | 584 91 43-01 | COVER | 436LiB | 1 | |
| 5 | 579 21 19-01 | SCREW IH SCT | 536LiB | 16 | 15 |
| 5 | 579 21 19-01 | SCREW IH SCT | 436LiB | 15 | 15 |
| 6 | 579 56 41-02 | THROTTLE CONTROL | | 1 | |
| 7 | 544 04 20-03 | HANDLE INSERT | | 2 | |
| 8 | 586 51 42-01 | EYELET | | 1 | 15 |
| 9 | 584 15 74-02 | HOUSING | | 1 | |
| 10 | 584 15 73-02 | HOUSING | | 1 | |
| 11 | 585 48 00-01 | SPRING | | 1 | |
| 12 | 577 99 66-01 | PUSH BUTTON | | 1 | |
| 13 | 576 90 12-01 | COVER | | 1 | |
| 14 | 503 21 28-13 | SCREW CCRPANT | | 1 | |
| 15 | 588 00 97-01 | KIT | | 1 | |

B 436/536 LiB
DECALS

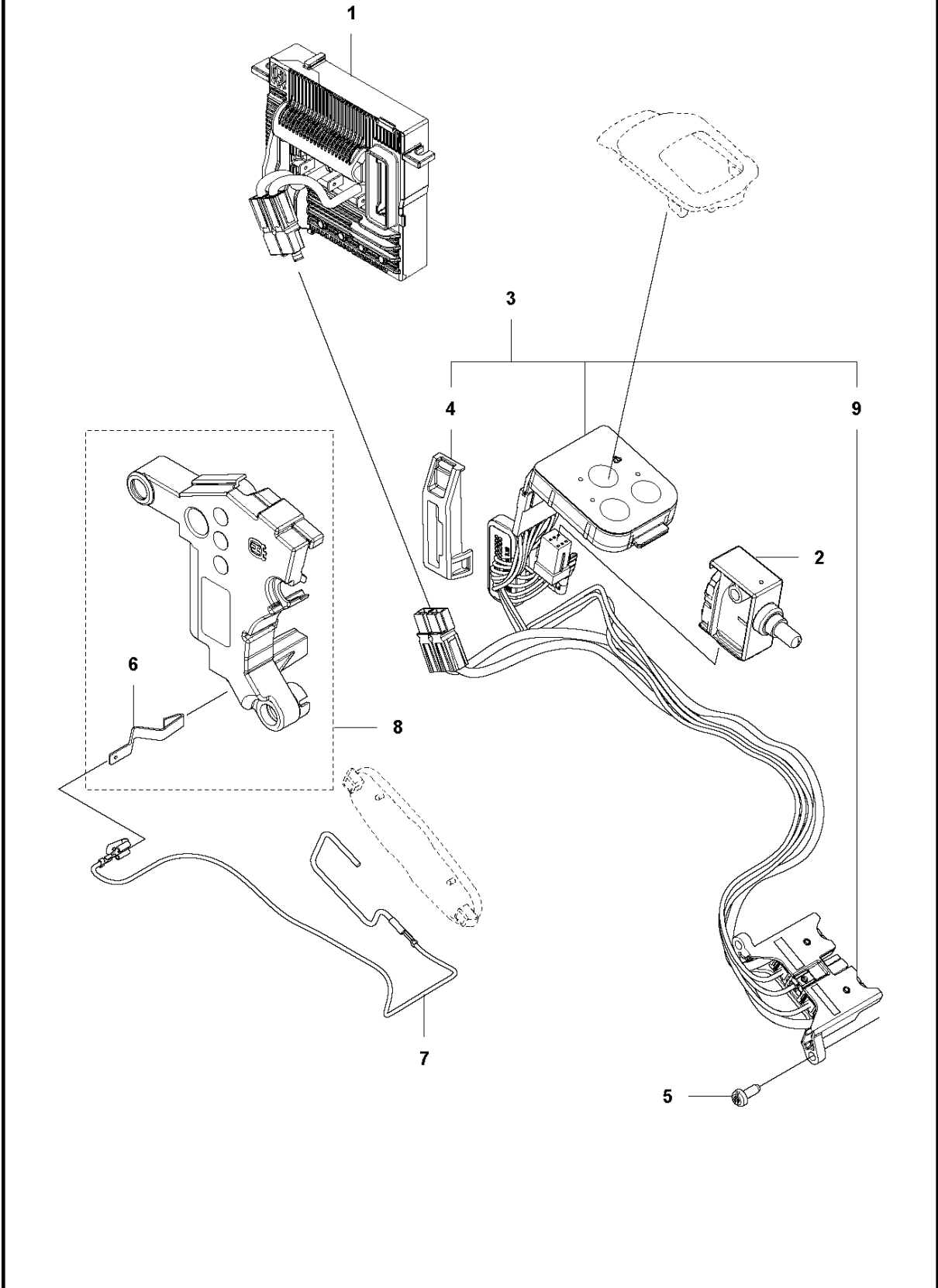


DECALS

536LiB from s/n 20180200037

| Ref | Part No | Description | Remark | QTY KIT |
|-----|--------------|-------------|--------|---------|
| 1 | 586 83 41-01 | DECAL | 436LiB | 1 |
| 1 | 586 83 41-02 | DECAL | 536LiB | 1 |
| 2 | 586 83 42-01 | DECAL | 436LiB | 1 |
| 2 | 586 83 42-02 | DECAL | 536LiB | 1 |
| 3 | 577 84 43-01 | DECAL | | 1 |

C 436/536 LiB
ELECTRIC SYSTEM

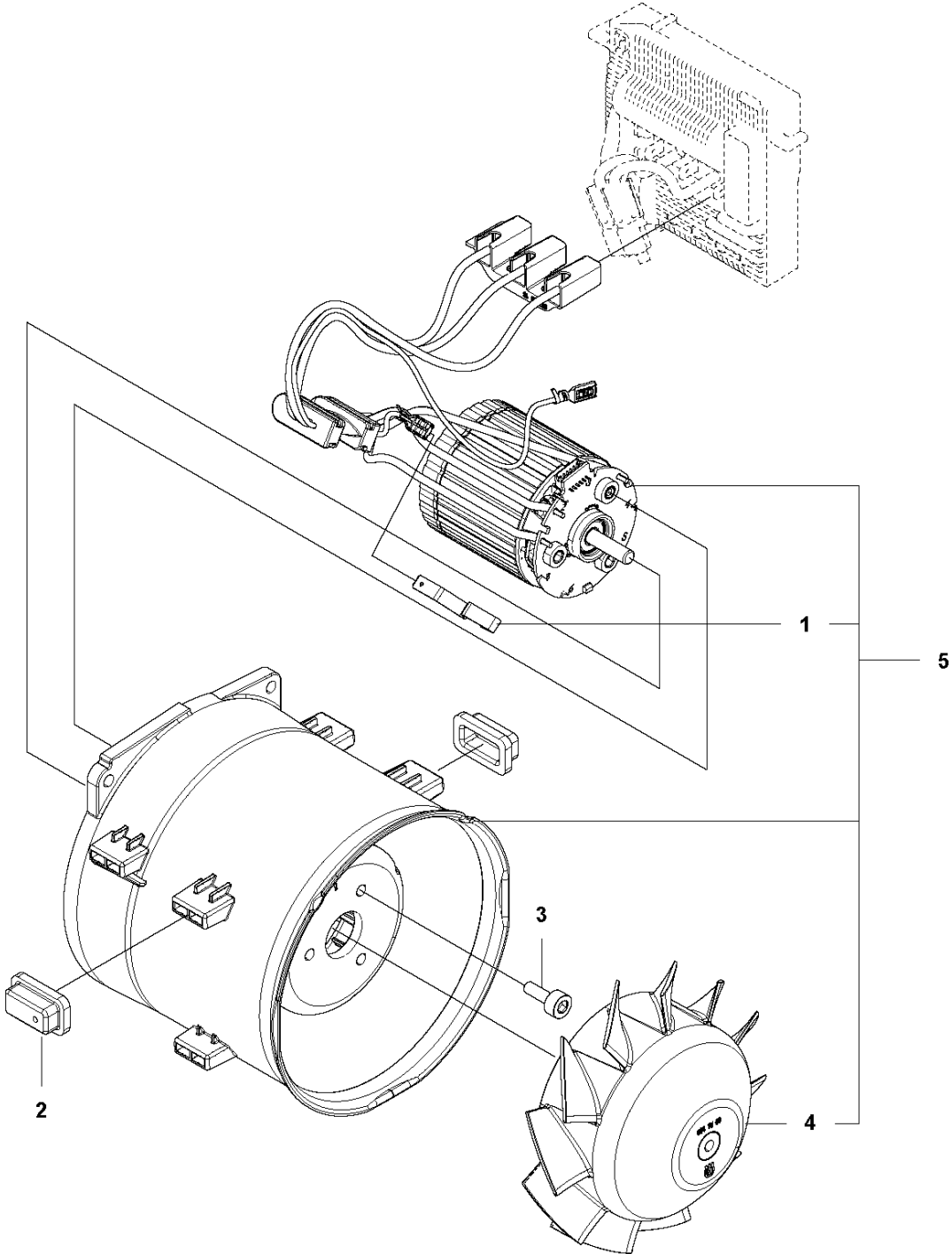


ELECTRICAL

536LiB from s/n 20180200037

| Ref | Part No | Description | Remark | QTY | KIT |
|-----|--------------|----------------|--------|-----|-----|
| 1 | 587 94 86-01 | CONTROL UNIT | | 1 | |
| 2 | 582 05 07-01 | TRIGGER SWITCH | | 1 | |
| 3 | 582 83 76-01 | WIRING ASSY | | 1 | |
| 4 | 587 32 72-01 | BRACKET | | 1 | 3 |
| 5 | 503 21 28-13 | SCREW CCRPANT | | 2 | |
| 6 | 586 49 22-01 | SPRING | | 1 | 8 |
| 7 | 586 96 39-01 | WIRING ASSY | | 1 | |
| 8 | 588 00 98-01 | KIT | | 1 | |
| 9 | 593 81 30-01 | CONNECTOR | | 1 | 3 |

D1 536 LiB
FAN SYSTEM

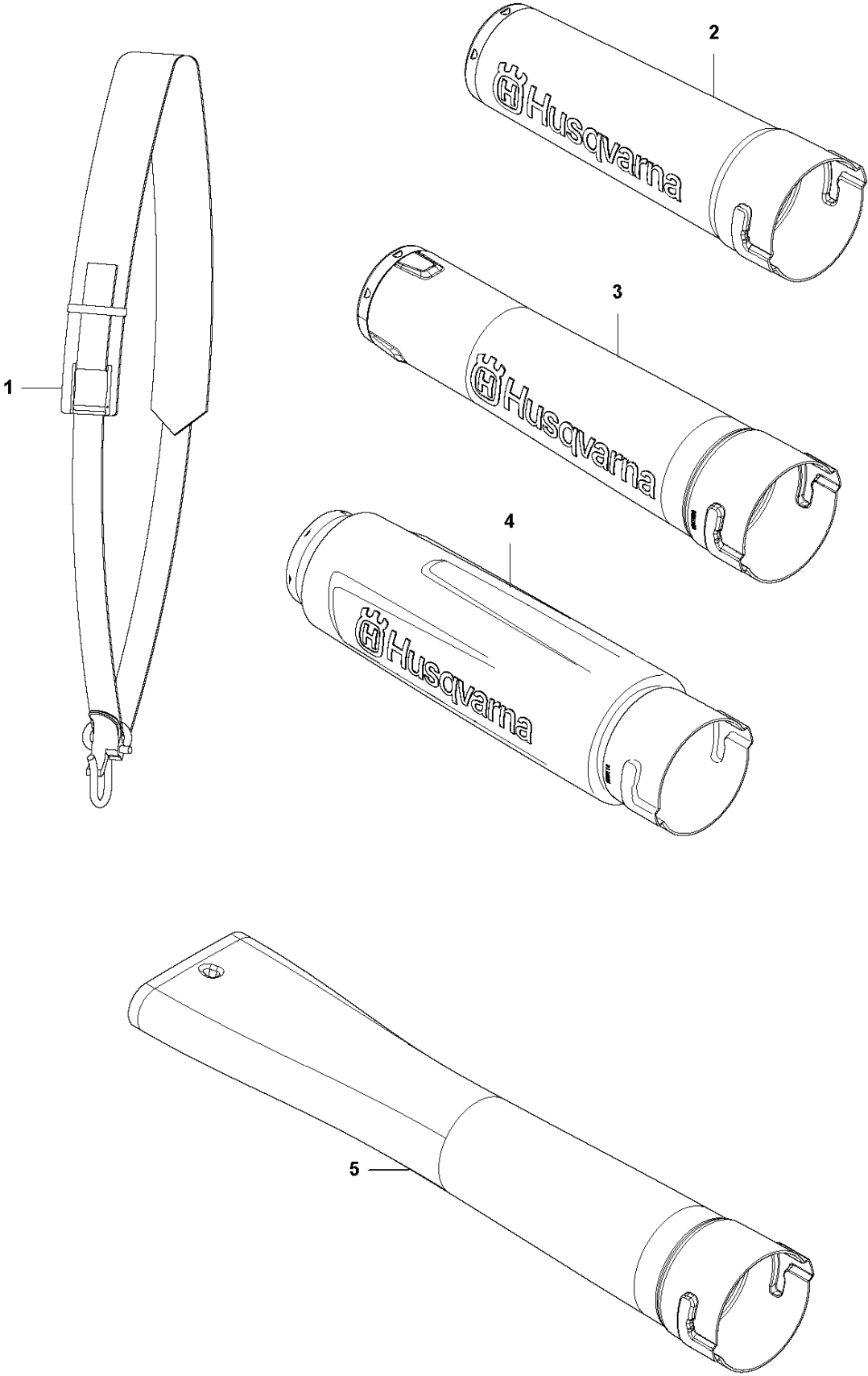


FAN

536LiB from s/n 20180200037

| Ref | Part No | Description | Remark | QTY | KIT |
|-----|--------------|-------------|--------|-----|-----|
| 1 | 586 49 22-01 | SPRING | | 1 | 5 |
| 2 | 503 91 10-01 | SUSPENSION | | 6 | |
| 3 | 503 20 25-12 | SCREW IHSCM | | 3 | 5 |
| 4 | 584 15 60-01 | ROTOR | | 1 | 5 |
| 5 | 588 00 99-01 | MOTOR ASSY | | 1 | |

E 436/536 LiB
ACCESSORIES



ACCESSORIES

536LiB from s/n 20180200037

| Ref | Part No | Description | Remark | QTY KIT |
|-----|--------------|-------------|-------------------------|---------|
| 1 | 537 21 62-01 | HARNES | | 1 |
| 2 | 586 10 63-01 | TUBE ASSY | Round Nozzle (300mm) | 1 |
| 3 | 586 10 63-02 | TUBE ASSY | Round Nozzle (400mm) | 1 |
| 4 | 589 81 17-01 | TUBE ASSY | Nozzle Silencer (400mm) | 1 |
| 5 | 579 79 75-01 | NOZZLE | Flat Nozzle (600mm) | 1 |