



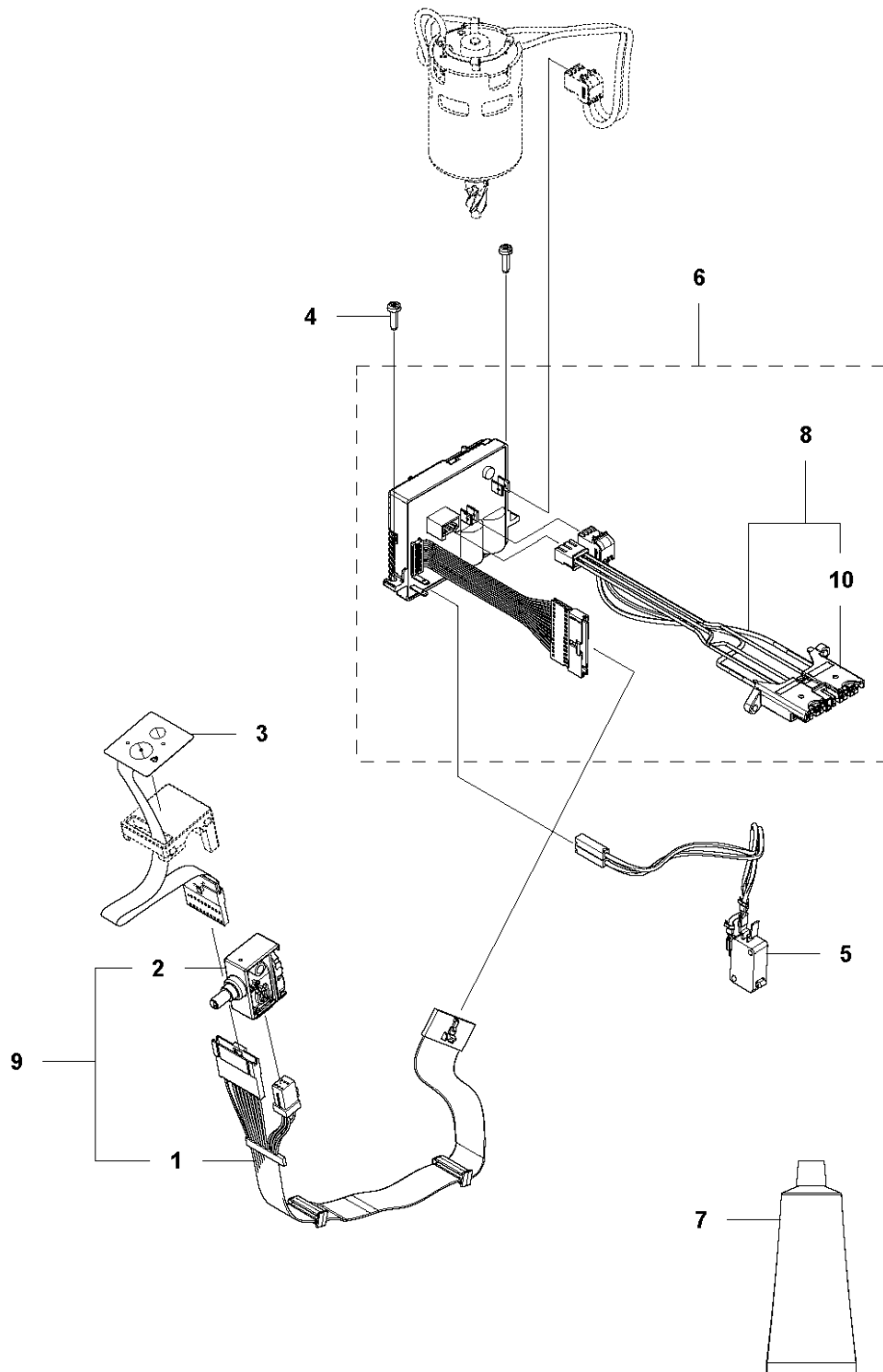
SPARE PARTS LIST

HEDGE TRIMMERS/POLE HEDGE
TRIMMERS

536LiHD60X

E2 536 LiHD70X / LiHD60X
ELECTRIC

FROM S/N 20180900384 -

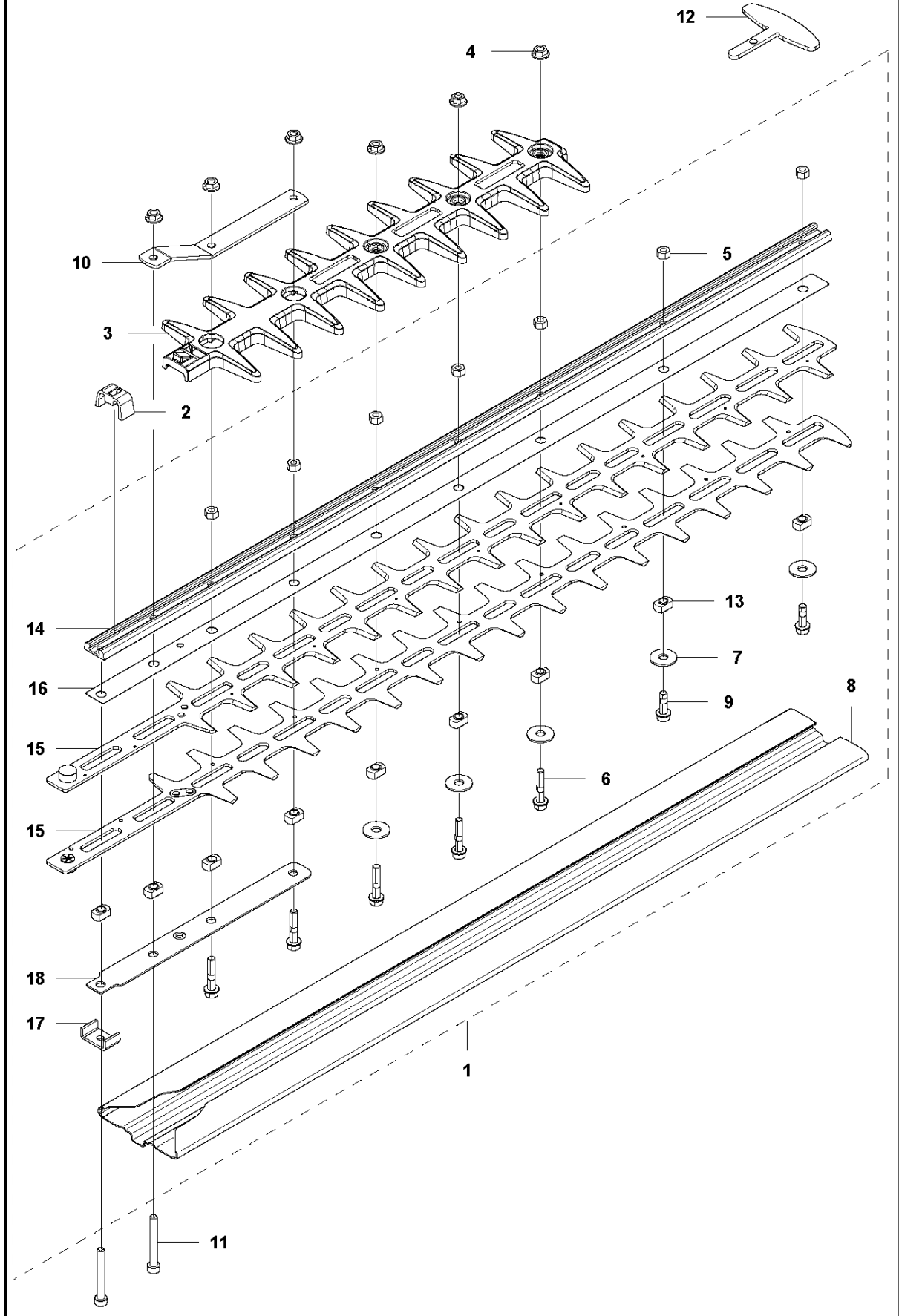


ELECTRICAL

536LiHD60X

Ref	Part No	Description	Remark	QTY	KIT
1	583 81 97-01	WIRING ASSY		1	9
2	582 05 07-01	TRIGGER SWITCH		1	9
3	579 73 82-01	KEYPAD		1	
4	503 21 28-13	SCREW CCRPANT		2	
5	581 53 13-01	WIRING ASSY		1	
6	581 94 66-01	CONTROL UNIT		1	
7	588 17 64-01	GREASE	SB-B1500023	1	
8	579 70 93-01	WIRING ASSY		1	
9	593 89 65-01	SWITCH KIT		1	
10	593 81 30-01	CONNECTOR		1	8, 6

A1 536 LiHD60X
CUTTING

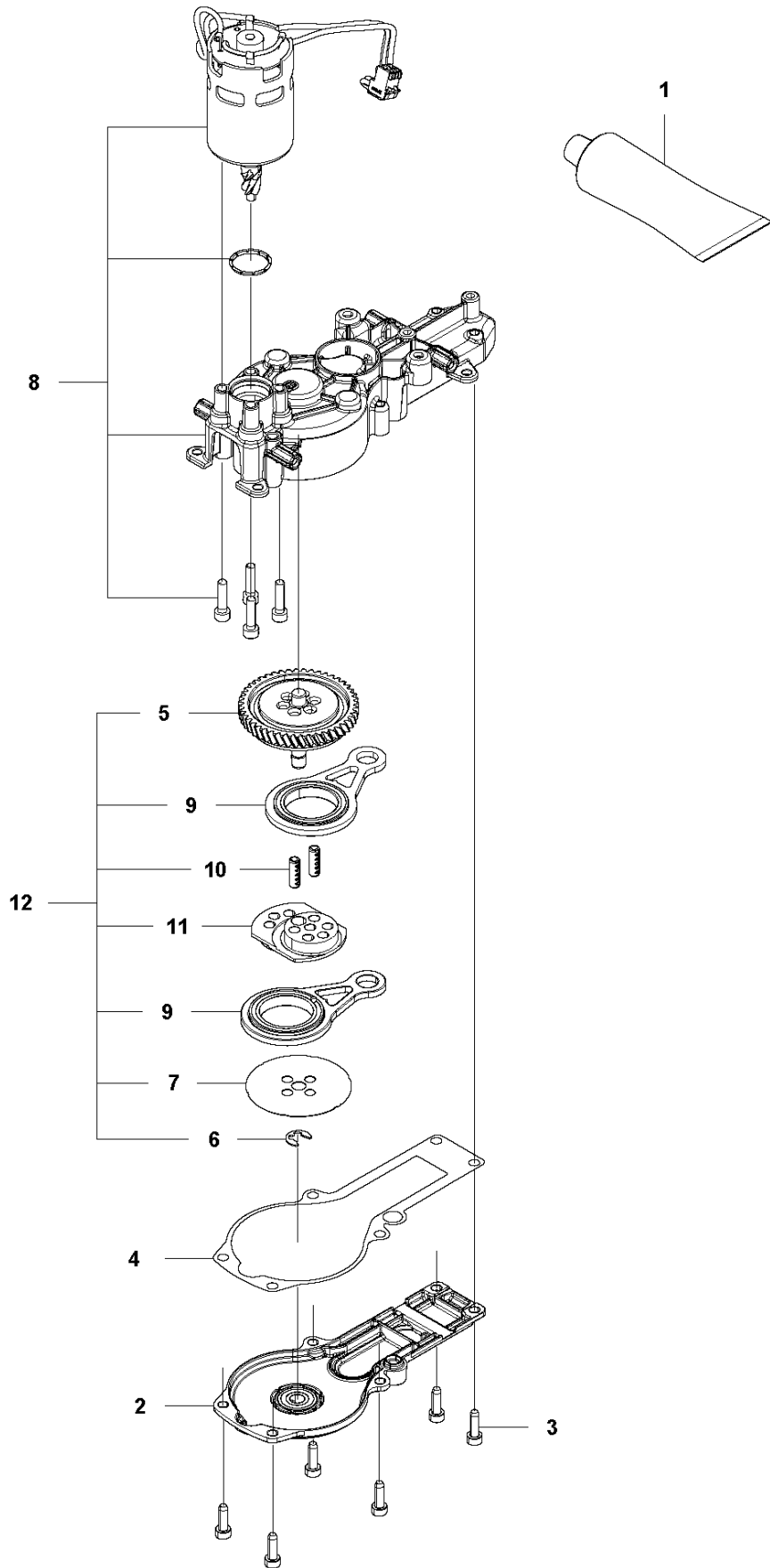


CUTTING EQUIPMENT

536LiHD60X

Ref	Part No	Description	Remark	QTY	KIT
1	580 71 83-04	CUTTING DECK		1	
2	578 37 22-01	GASKET		1	
3	581 10 09-01	PROTECTION ASSY		1	
4	503 22 00-09	HEXAGON NUT		6	
5	579 63 31-01	HEXAGON NUT		7	1
6	584 15 22-02	SCREW IHSCFM		5	1
7	503 23 00-24	WASHER		5	1
8	581 25 93-02	TRANSPORT GUARD		1	1
9	584 15 22-01	SCREW IHSCFM		2	1
10	580 93 15-01	SUPPORT		1	
11	581 76 16-01	SCREW IHSCFM		2	
12	581 48 35-01	PROTECTION		1	
13	580 71 62-01	SPACER		9	1
14	580 71 57-01	BAR		1	1
15	580 71 56-03	BLADE		2	1
16	580 71 60-01	WEAR PLATE		1	1
17	578 37 20-01	BRACKET		1	1
18	580 71 58-02	BAR		1	1

B 536 LiHD70X / LiHD60X
GEAR

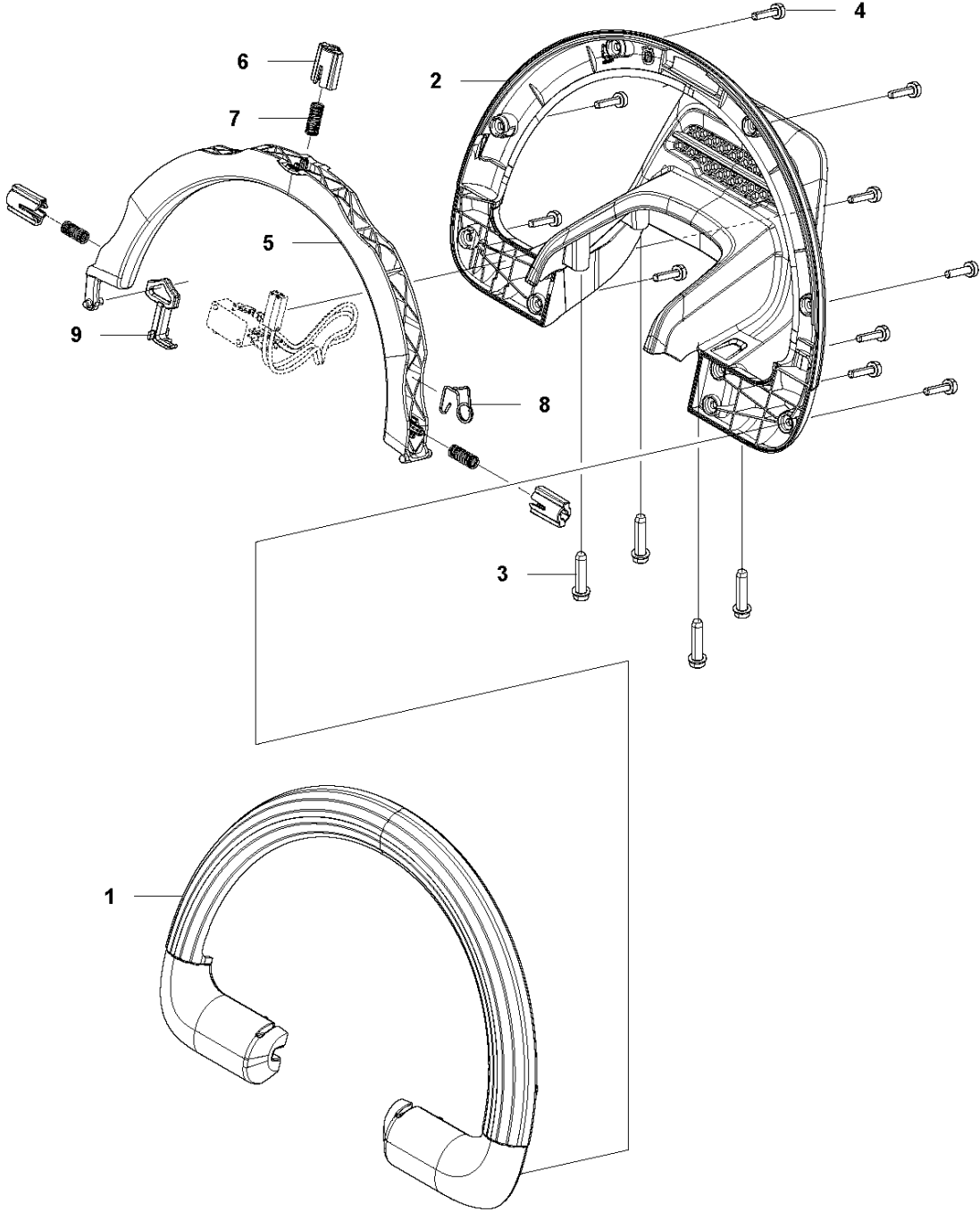


GEARS

536LiHD60X

Ref	Part No	Description	Remark	QTY	KIT
1	503 98 96-03	GREASE		1	
2	577 83 45-02	BASEPLATE		1	
3	503 21 68-72	SCREW IHSCT		6	
4	584 41 10-01	GASKET		1	
5	582 36 30-01	HELICAL GEAR		1	12
6	578 05 49-01	LOCKWASHER		1	12
7	522 71 46-01	DISC		1	12
8	582 38 67-01	MOTOR ASSY		1	
9	582 36 31-01	CONNECTING ROD ASSY		2	12
10	578 00 27-01	HEAVY DUTY DOWEL PIN		2	12
11	581 83 85-01	ECCENTRIC DISC		1	12
12	582 83 70-01	GEAR		1	

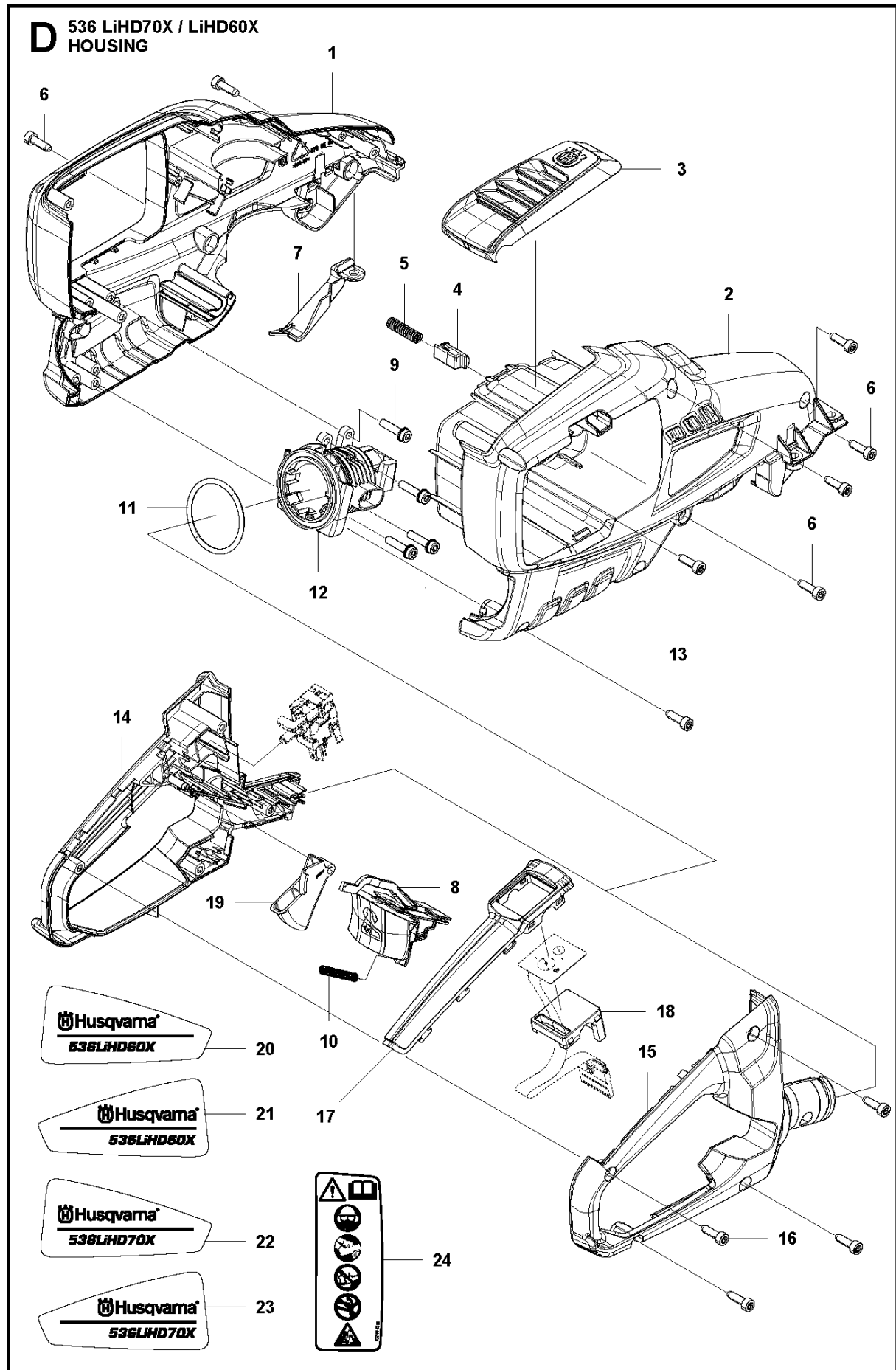
C 536 LiHD70X / LiHD60X
HANDLE



HANDLE

536LiHD60X

Ref	Part No	Description	Remark	QTY KIT
1	579 56 35-03	FRONT HANDLE		1
2	579 56 34-02	FRONT HANDLE		1
3	503 21 88-76	SCREW IHSCT		4
4	579 21 19-01	SCREW IHSCT		10
5	579 56 36-02	FRONT HANDLE		1
6	580 79 01-01	BUSHING		3
7	583 89 03-01	RECOIL SPRING		3
8	584 27 40-01	SPRING		1
9	581 22 32-01	LEVER		1



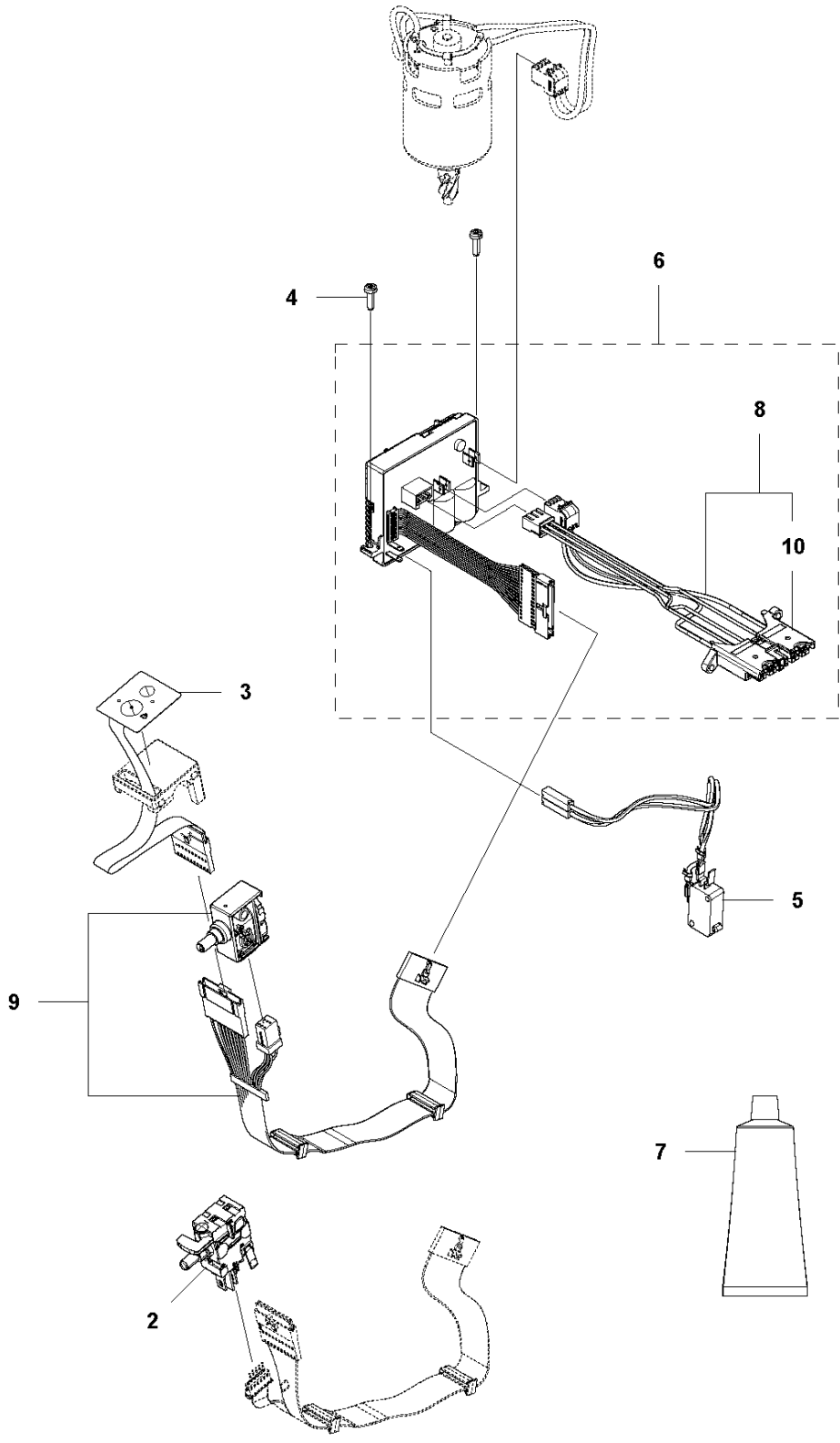
HOUSING

536LiHD60X

Ref	Part No	Description	Remark	QTY KIT
1	579 55 96-01	CHASSIS	Chassis left	1
2	579 55 97-01	CHASSIS	Chassis right	1
3	579 56 03-01	COVER		1
4	577 99 66-01	PUSH BUTTON		1
5	577 99 65-01	SPRING		1
6	503 21 74-16	SCREW IHSCT		4
7	580 71 50-01	COVER		1
8	579 56 53-01	LOCKING BUTTON		1
9	503 21 68-72	SCREW IHSCT		4
10	584 27 00-01	RECOIL SPRING		1
11	575 23 20-02	O-RING		1
12	579 56 01-01	HANDLE HOLDER		1
13	579 21 19-01	SCREW IHSCT		5
14	579 56 37-01	REAR HANDLE		1
15	579 56 38-01	REAR HANDLE		1
16	579 21 19-01	SCREW IHSCT		5
17	579 56 54-01	FRAME		1
18	580 71 95-01	BRACKET		1
19	579 56 41-01	THROTTLE CONTROL		1
20	581 66 29-01	DECAL	Decal 60x	1
21	581 66 28-01	DECAL	Decal 60x	1
22	581 66 29-02	DECAL	Decal 70x	1
23	581 66 28-02	DECAL	Decal 70x	1
24	577 84 43-01	DECAL		1

E1 536 LiHD70X / LiHD60X
ELECTRIC

UP TO S/N 20180900384

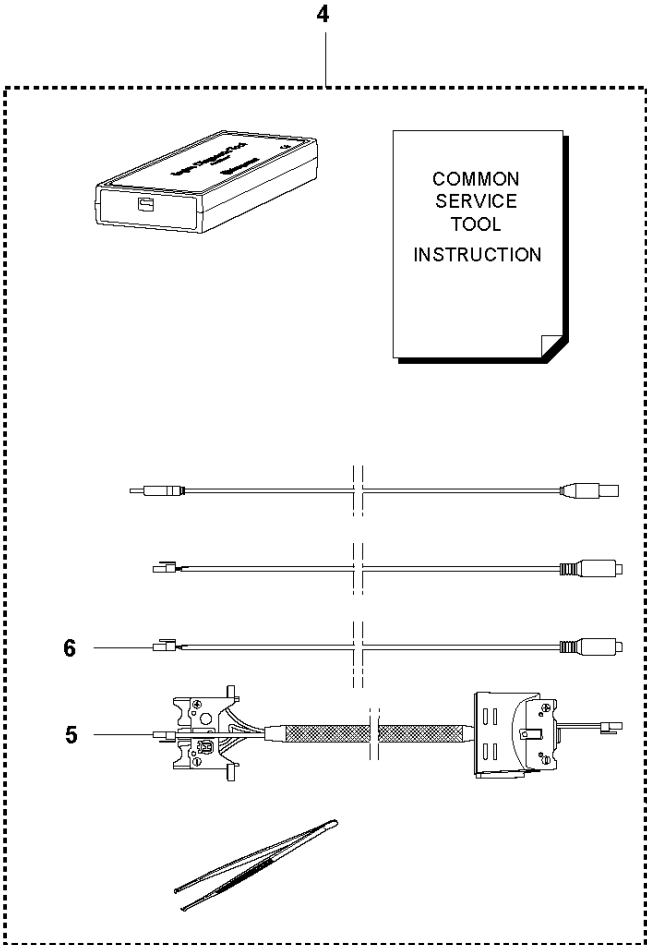
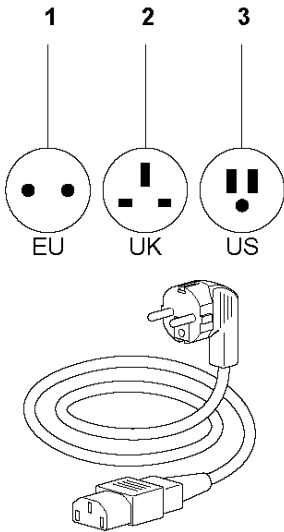


ELECTRICAL

536LiHD60X

Ref	Part No	Description	Remark	QTY	KIT
2	578 32 69-01	TRIGGER SWITCH		1	9
3	579 73 82-01	KEYPAD		1	
4	503 21 28-13	SCREW CCRPANT		2	
5	581 53 13-01	WIRING ASSY		1	
6	581 94 66-01	CONTROL UNIT		1	
7	588 17 64-01	GREASE	SB-B1500023	1	
8	579 70 93-01	WIRING ASSY		1	
9	593 89 65-01	SWITCH KIT		1	
10	593 81 30-01	CONNECTOR		1	8, 6

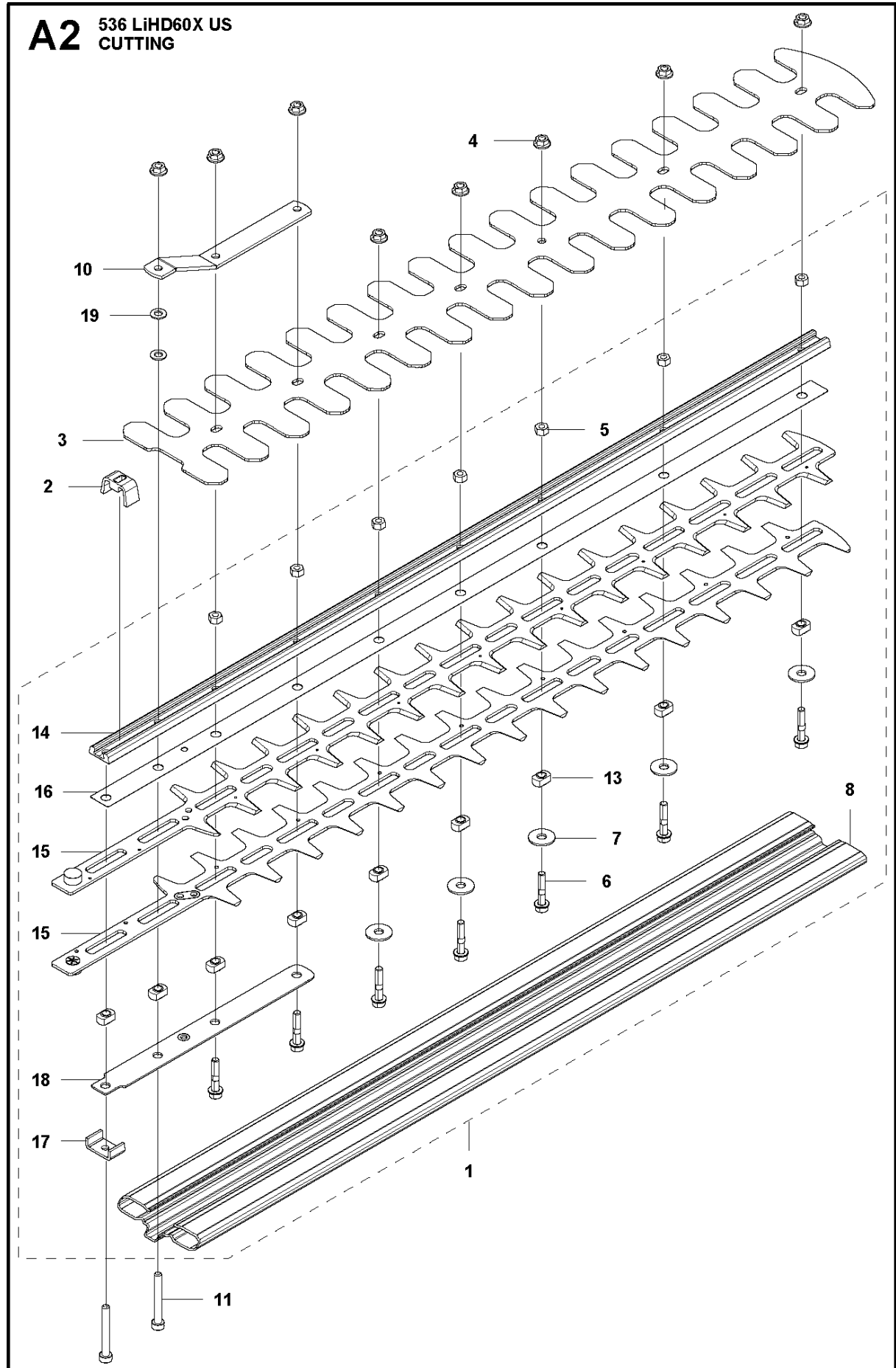
F 536 LiHD70X / LiHD60X
ACCESSORIES



ACCESSORIES

536LiHD60X

Ref	Part No	Description	Remark	QTY	KIT
1	578 08 19-01	MAINS CABLE		1	
2	579 13 06-01	MAINS CABLE		1	
3	579 13 04-01	MAINS CABLE		1	
4	583 89 71-01	DIAGNOSTIC TOOL KIT		1	
5	579 62 13-01	WIRING ASSY		1	4, 7
6	576 95 22-01	CABLE ASSY		1	7



CUTTING EQUIPMENT

536LiHD60X

Ref	Part No	Description	Remark	QTY	KIT
1	580 71 83-06	CUTTING DECK		1	
2	578 37 22-01	GASKET		1	
3	585440101	TBD		1	
4	503 22 00-09	HEXAGON NUT		8	
5	579 63 31-01	HEXAGON NUT		7	1
6	584 15 22-02	SCREW IHSCFM		7	1
7	503 23 00-24	WASHER		5	1
8	581 25 93-02	TRANSPORT GUARD		1	1
10	580 93 15-01	SUPPORT		1	
11	581 76 16-01	SCREW IHSCCT		2	
13	580 71 62-01	SPACER		9	1
14	580 71 57-01	BAR		1	1
15	580 71 56-03	BLADE		2	1
16	580 71 60-01	WEAR PLATE		1	1
17	578 37 20-01	BRACKET		1	1
18	580 71 58-02	BAR		1	1
19	503 23 00-42	WASHER		2	