

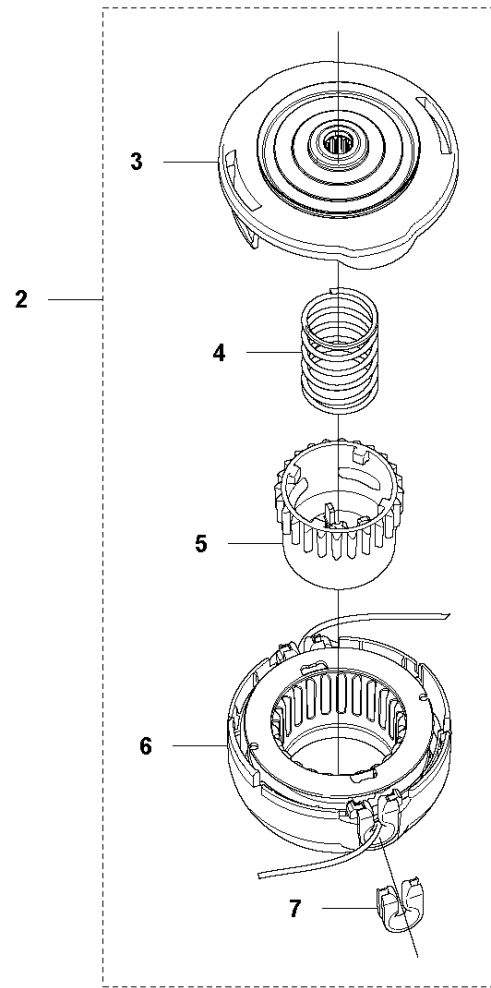
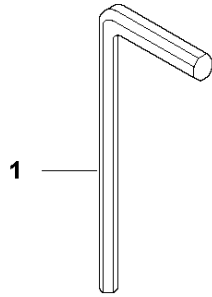


# SPARE PARTS LIST

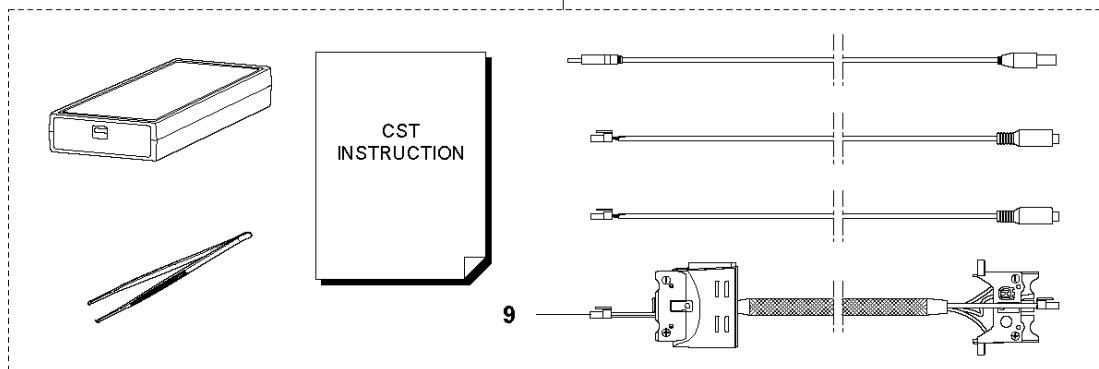
TRIMMERS/EDGERS

536 LiLX

**F** 536LiLX  
ACCESSORIES



8

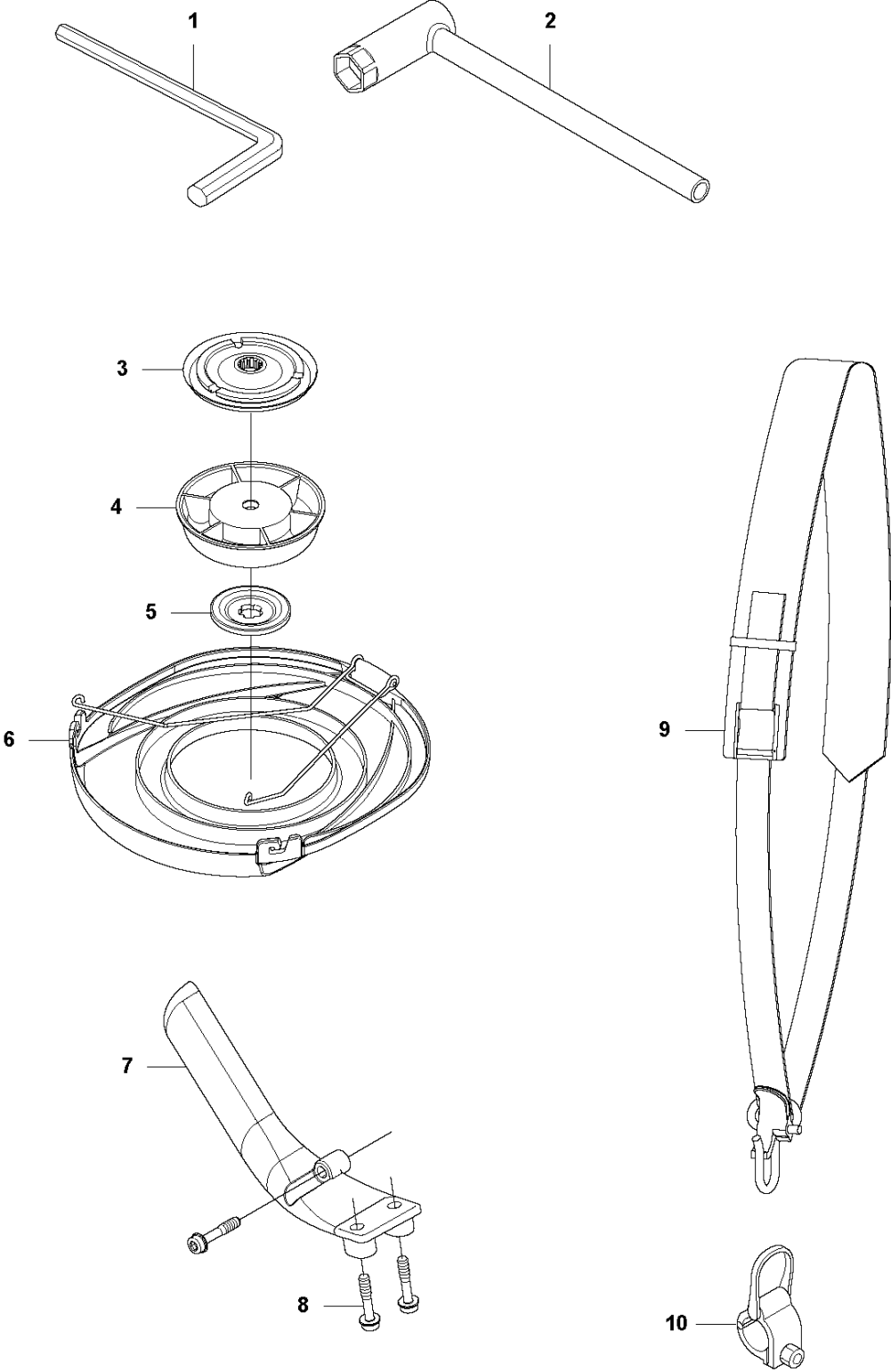


## ACCESSORIES

536 LiLX

Ref	Part No	Description	Remark	QTY	KIT
1	503 55 86-01	SPANNER		1	
2	579 29 40-03	TRIMMER HEAD		1	
3	585 51 08-02	HOUSING ASSY		1	2
4	577 05 03-01	SPRING		1	2
5	577 04 93-01	KNOB		1	2
6	578 19 69-01	COVER		1	2
7	501 33 04-01	GROMMET		2	2
8	583 89 71-01	DIAGNOSTIC TOOL KIT		1	
9	579 62 13-01	WIRING ASSY		1	8

**A** 536LiLX  
ATTACHMENT KIT

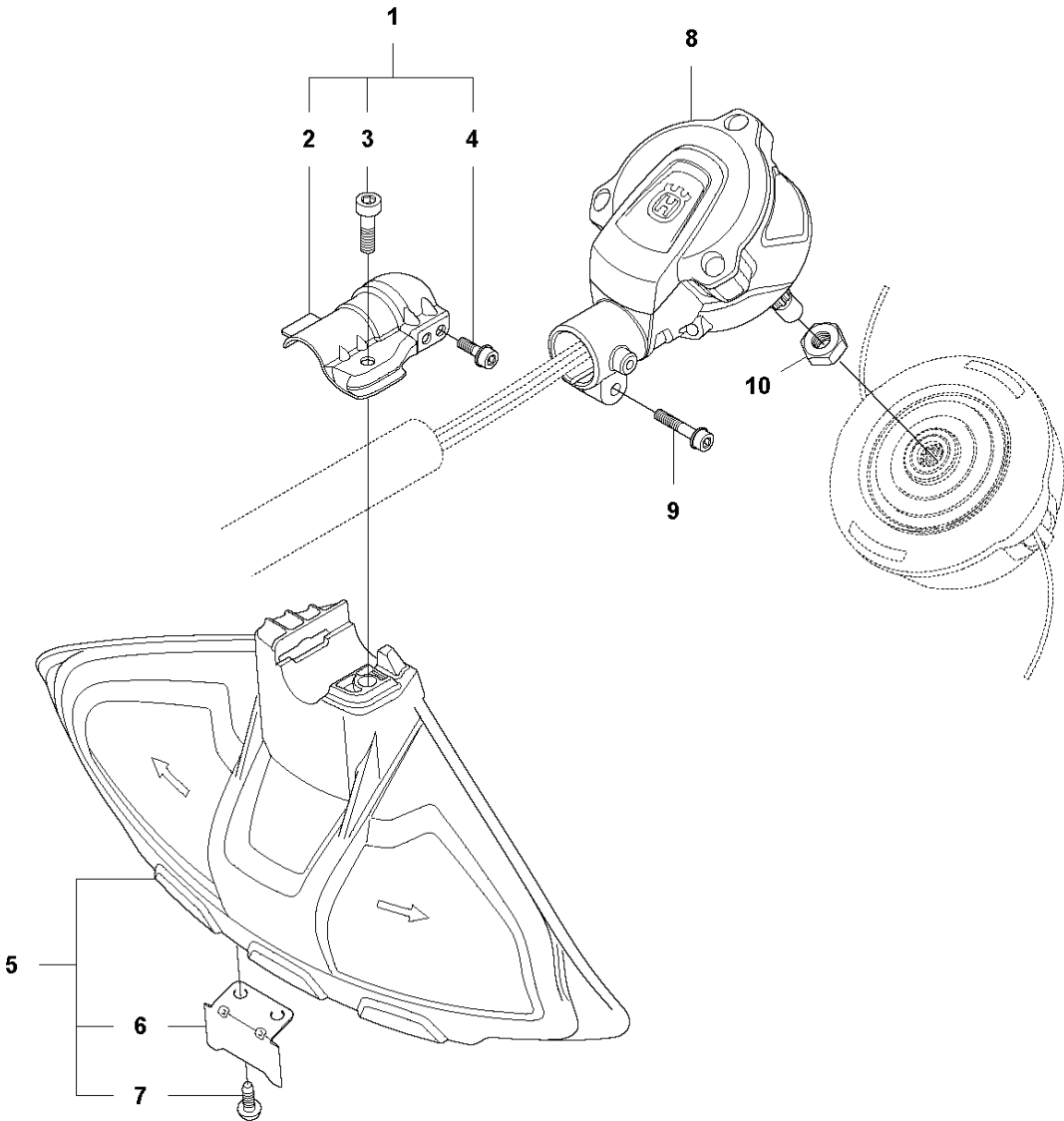


## ATTACHMENTS

536 LiLX

Ref	Part No	Description	Remark	QTY KIT
1	503 55 86-01	SPANNER		1
2	502 11 46-02	SOCKET WRENCH		1
3	587 24 08-01	DRIVER ASSY		1
4	503 89 01-01	SUPPORT CUP		1
5	537 28 56-01	SUPPORT FLANGE		1
6	537 31 29-01	TRANSPORT GUARD		1
7	503 99 78-04	HANDLE		1
8	574 18 15-01	SCREW IHSCFTO		3
9	537 21 62-01	HARNESS		1
9	537 21 62-02	HARNESS		1
10	537 35 36-01	LOOP		1

**A** 536LiLX  
CUTTING

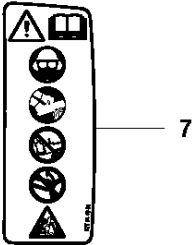
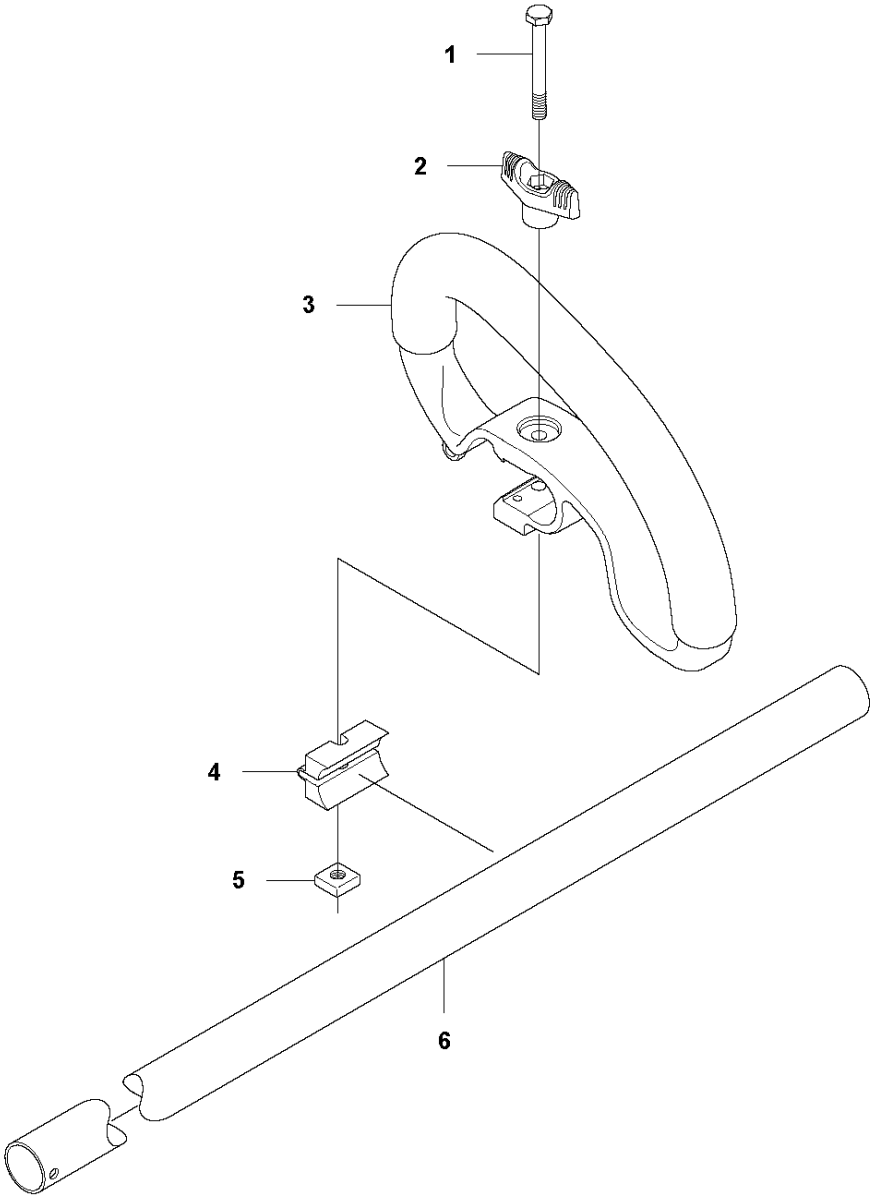


CUTTING EQUIPMENT

536 LiLX

Ref	Part No	Description	Remark	QTY	KIT
1	574 30 69-04	CLAMP		1	
2	503 93 55-01	CLAMP.GUARD		1	1
3	503 20 20-07	SCREW IHSCM		1	1
4	503 20 14-12	SCREW IHSCFMO		1	1
5	577 01 83-03	TRIMMER GUARD ASSY		1	
6	574 52 34-01	KNIFE		1	5
7	503 21 07-16	SCREW IH SCT		2	5
8	577 02 21-04	MOTOR ASSY		1	
9	503 20 07-78	SCREW IHSCFM		1	
10	503 85 63-01	NUT		1	

**B** 536LiLX  
TUBE



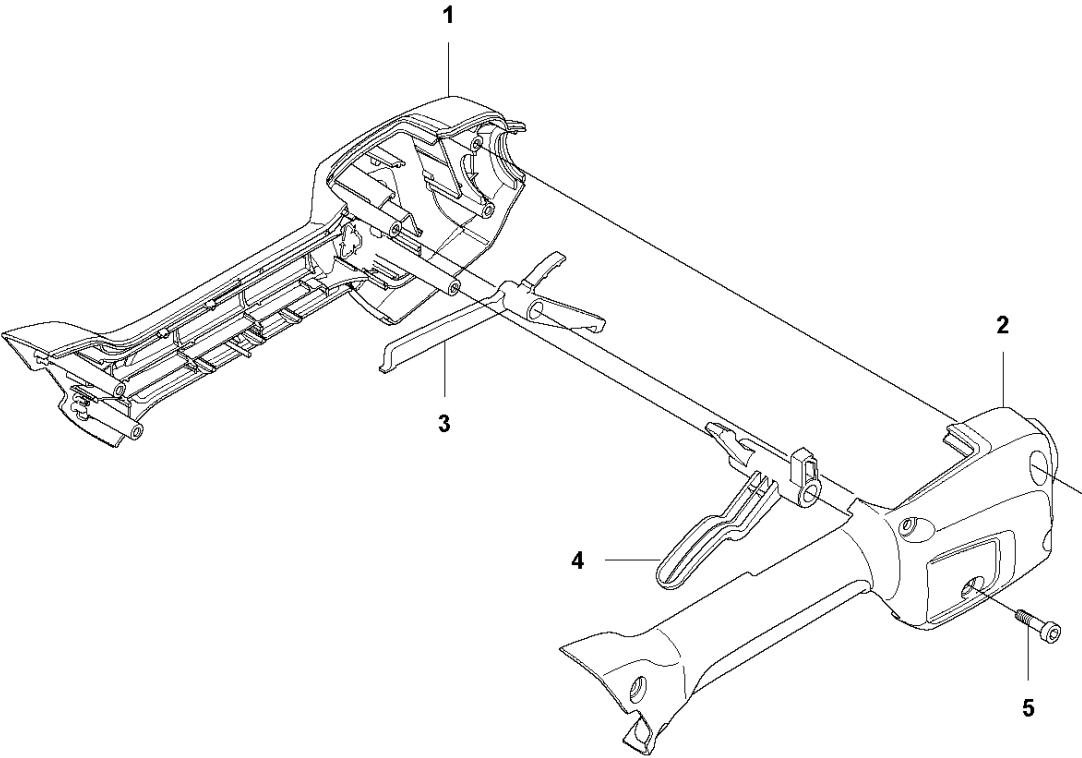
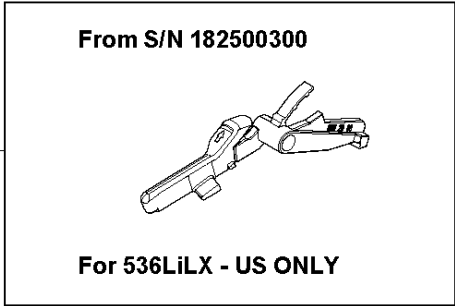


TUBE

536 LiLX

Ref	Part No	Description	Remark	QTY KIT
1	725 23 80-51	SCREW EHHM		1
2	503 87 90-01	KNOB		1
3	503 87 19-06	HANDLE		1
4	503 94 03-01	DISTANCE		1
5	502 19 71-01	SQUARE NUT		1
6	577 06 14-03	TUBE		1
7	577 84 43-01	DECAL		1

**C** 536LiLX  
HANDLE

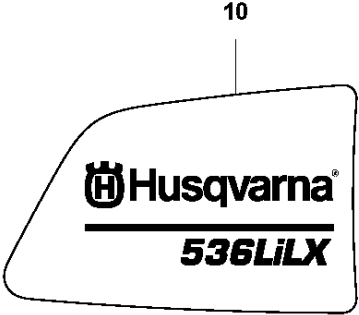
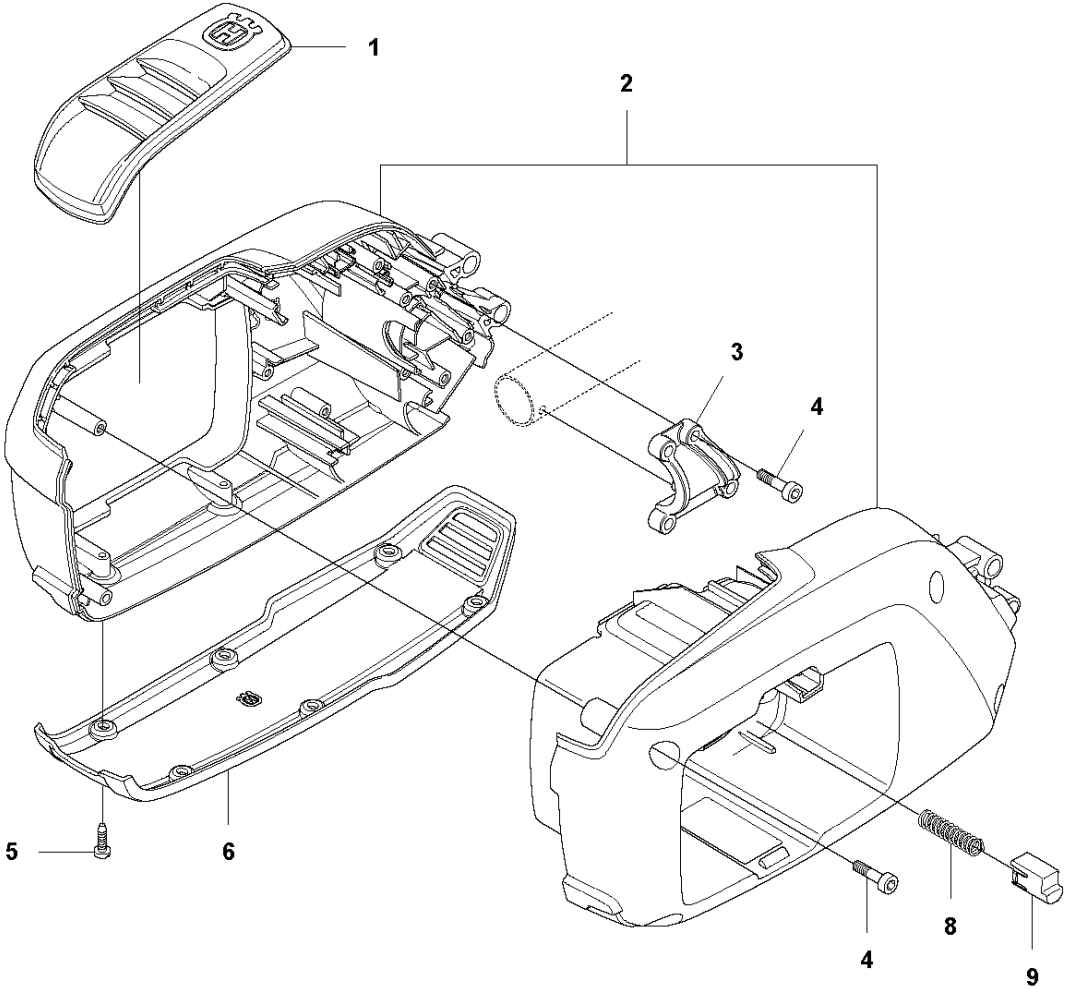


HANDLE

536 LiLX

Ref	Part No	Description	Remark	QTY KIT
1	577 01 31-01	HANDLE HALF		1
2	577 01 32-02	HANDLE HALF		1
3	577 51 23-01	THROTTLE LOCKOUT		1
4	589 37 79-01	TRIGGER		1
5	579 21 19-01	SCREW IH SCT		6
6	589 27 40-01	THROTTLE LOCKOUT	From S/N 182500300, 536LiLX - US ONLY	1

**D1** 536LiLX: S/N → 201610xxxx  
BATTERY HOUSING

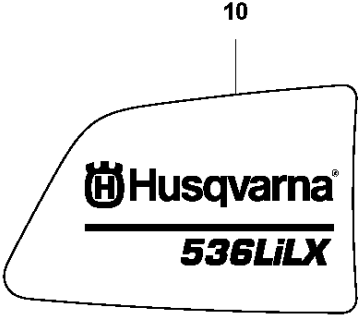
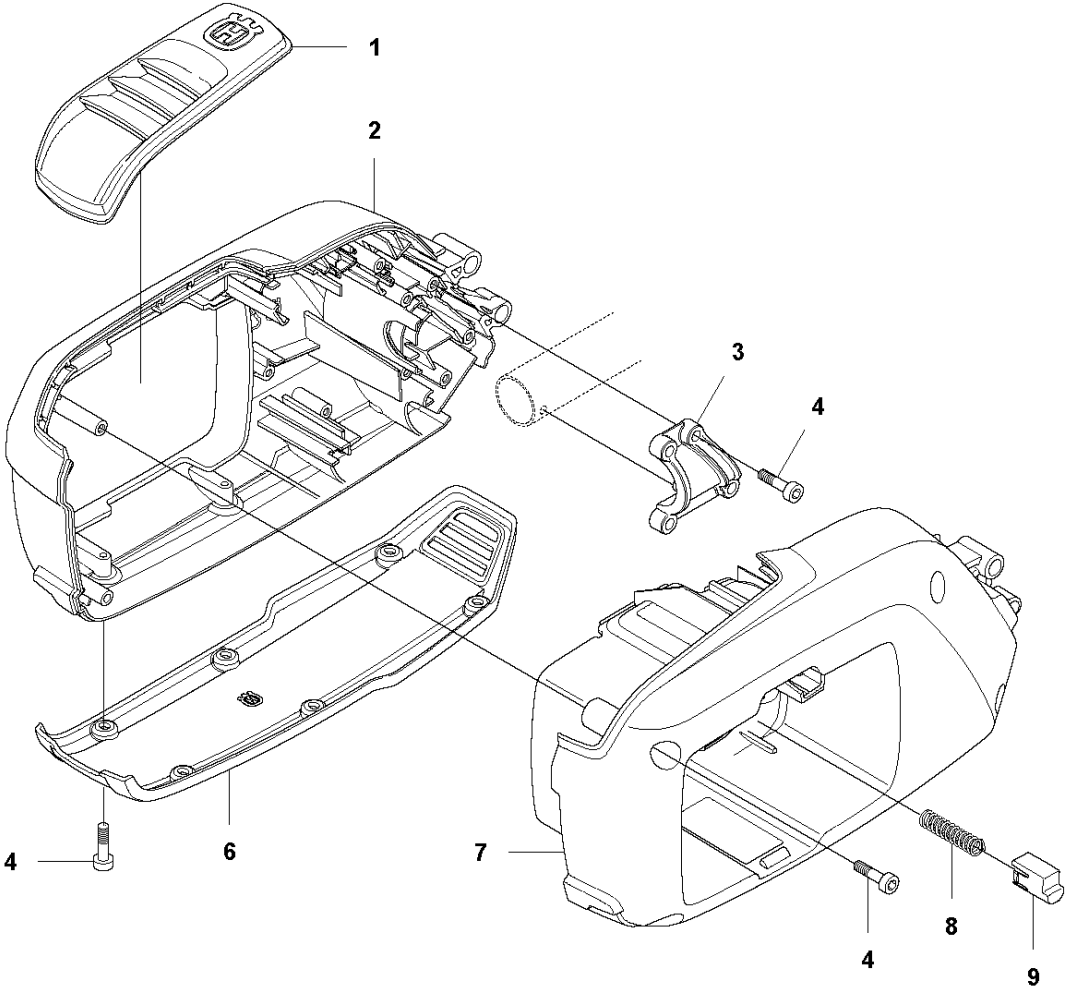


## HOUSING

536 LiLX

Ref	Part No	Description	Remark	QTY KIT
1	577 01 41-01	COVER		1
2	582 70 14-01	HOUSING		1
3	577 02 22-01	CLAMP		1
4	579 21 19-01	SCREW IHSCT		8
5	503 21 28-13	SCREW CCRPANT		6
6	577 01 42-01	SKID PLATE		1
8	585 48 00-01	SPRING		1
9	577 99 66-01	PUSH BUTTON		1
10	579 00 62-04	DECAL		1

**D2** 536LiLX: S/N 201610xxxx →  
**BATTERY HOUSING**



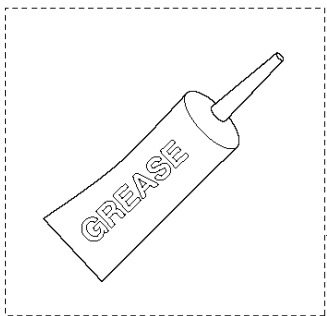
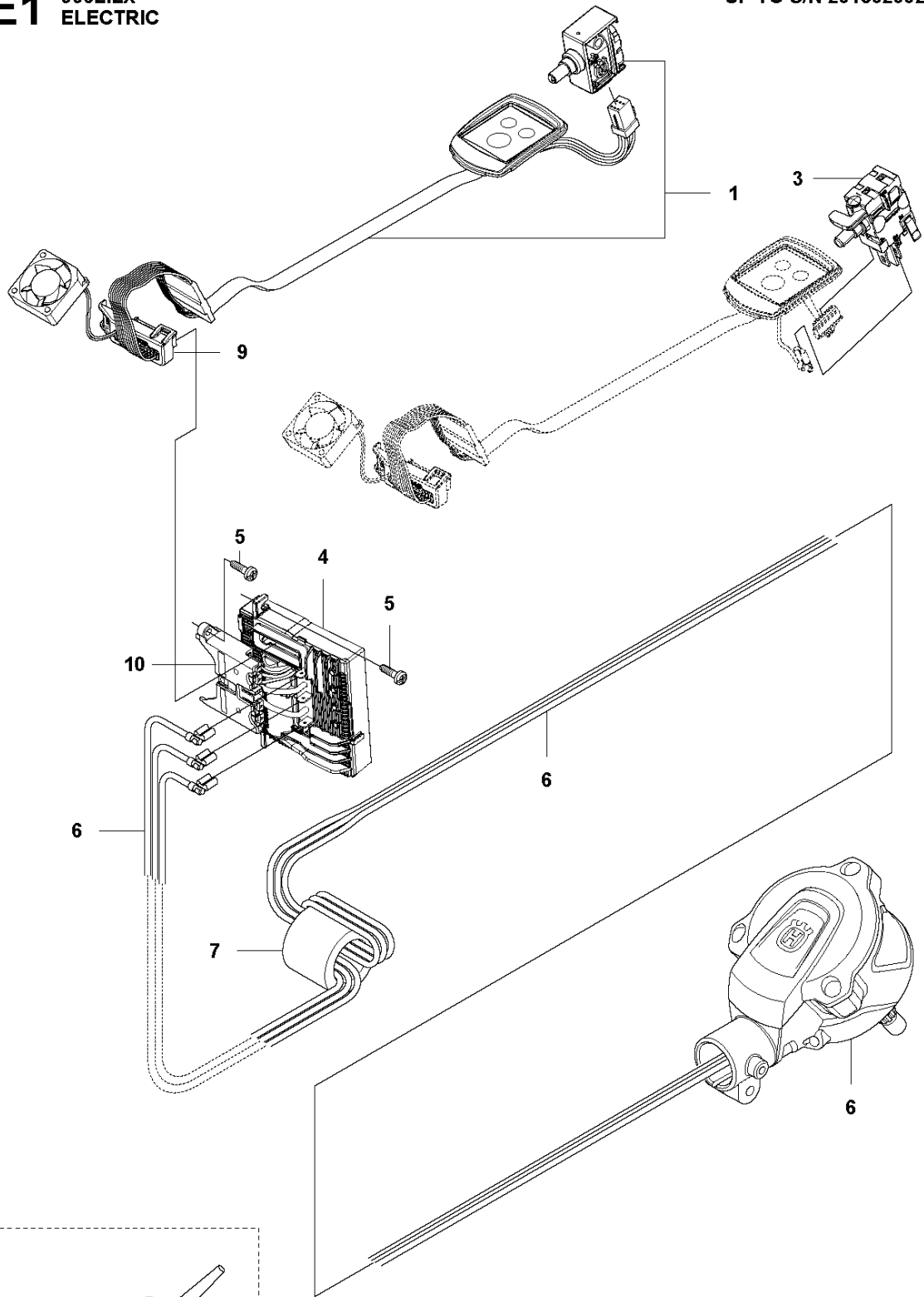
## HOUSING

536 LiLX

Ref	Part No	Description	Remark	QTY KIT
1	577 01 41-01	COVER		1
2	577 00 76-03	HOUSING		1
3	577 02 22-01	CLAMP		1
4	579 21 19-01	SCREW IHSCT		14
6	588 91 98-01	SKID PLATE		1
7	577 01 30-02	HOUSING		1
8	585 48 00-01	SPRING		1
9	577 99 66-01	PUSH BUTTON		1
10	579 00 62-04	DECAL		1

**E1** 536LiLX  
ELECTRIC

UP TO S/N 20180200201





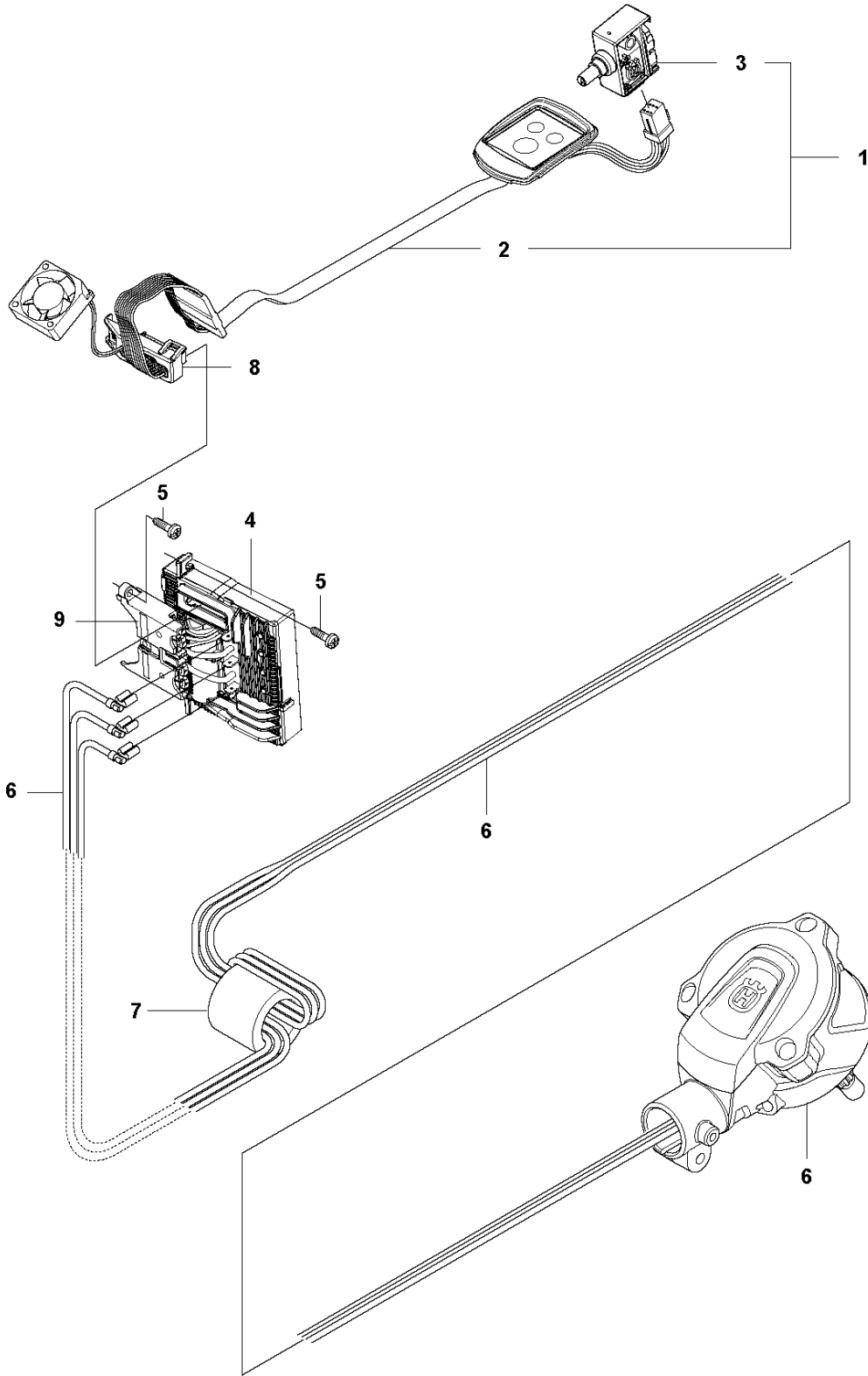
## ELECTRICAL

536 LiLX

Ref	Part No	Description	Remark	QTY	KIT
1	593 89 58-01	SWITCH KIT		1	
3	578 32 69-01	TRIGGER SWITCH		1	1
4	586 32 32-01	CONTROL UNIT		1	
5	503 21 28-13	SCREW CCRPANT		4	
6	577 02 21-06	MOTOR ASSY		1	
7	577 97 66-01	FERRITE CORE	Removed from s/n 181500084->	1	
8	588 17 64-01	GREASE		1	
9	587 32 72-01	BRACKET		1	
10	593 81 30-01	CONNECTOR		1	

**E2** 536LiLX  
ELECTRIC

FROM S/N 20180200201 -



## ELECTRICAL

536 LiLX

Ref	Part No	Description	Remark	QTY	KIT
1	593 89 58-01	SWITCH KIT		1	
2	582 71 37-01	WIRING ASSY		1	1
3	582 05 07-01	TRIGGER SWITCH		1	1
4	586 32 32-01	CONTROL UNIT		1	
5	503 21 28-13	SCREW CCRPANT		4	
6	577 02 21-06	MOTOR ASSY		1	
7	577 97 66-01	FERRITE CORE	Removed from s/n 181500084->	1	
8	587 32 72-01	BRACKET		1	
9	593 81 30-01	CONNECTOR		1	