

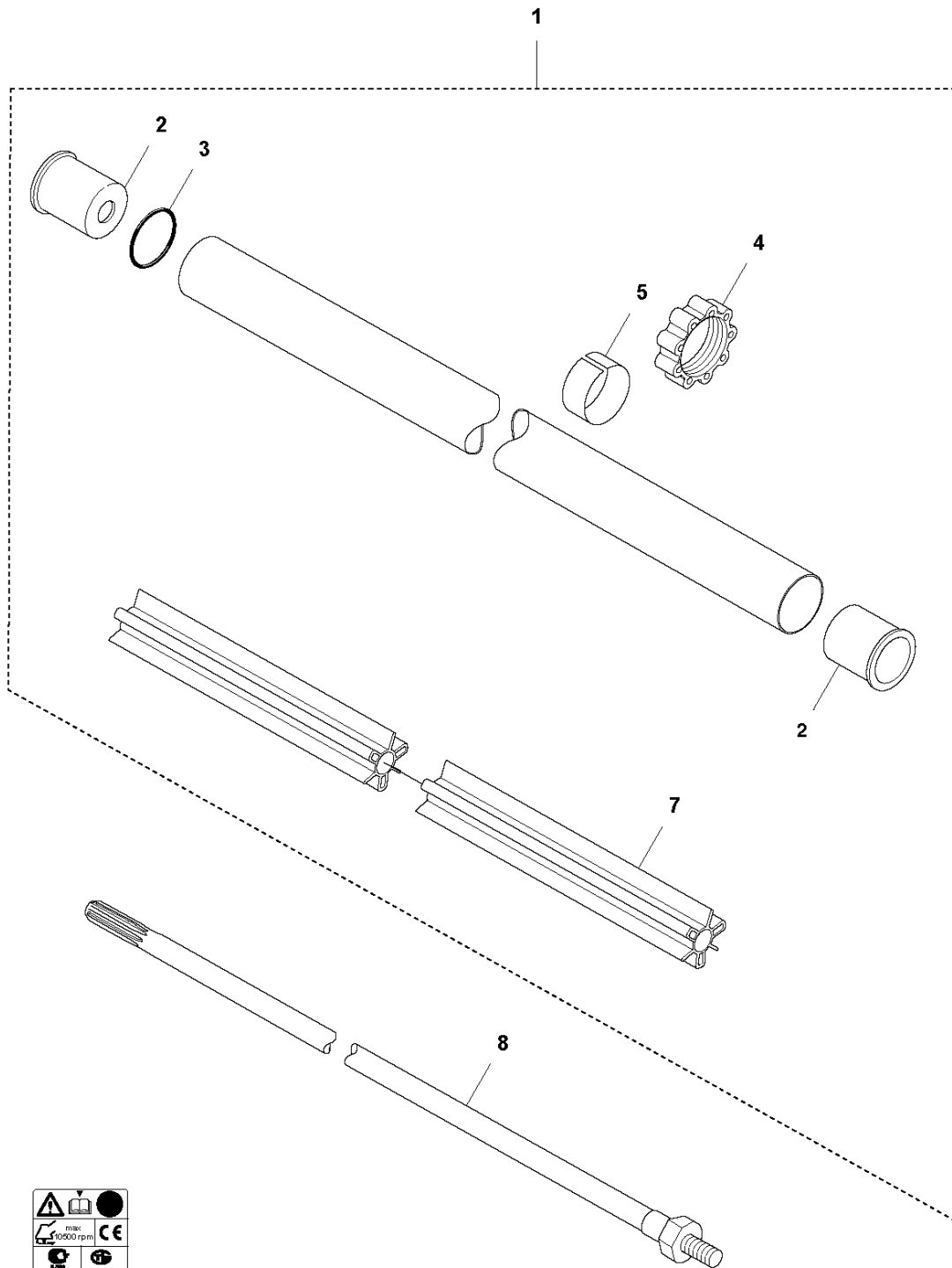


SPARE PARTS LIST

BRUSHCUTTERS/CLEARING SAWS

545FX AT, 2017-12

B 545FX AT, 545FXT AT
SHAFT



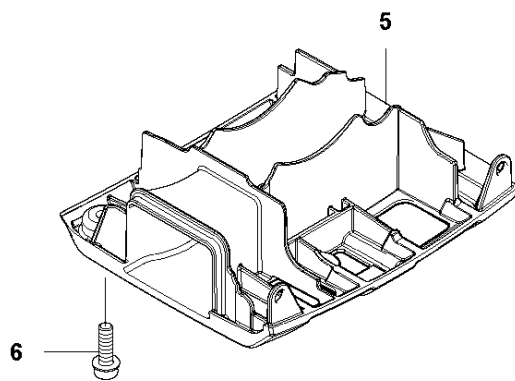
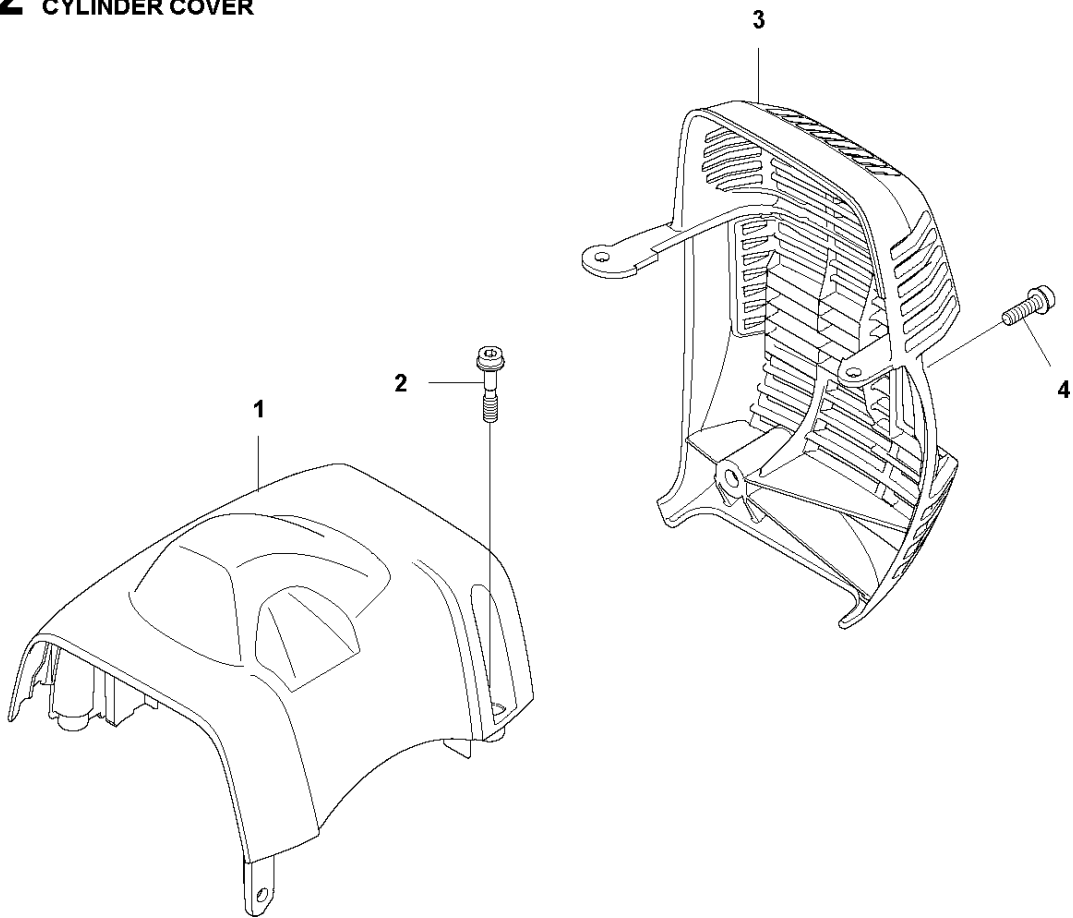
9

SHAFT

545FX AT, 2017-12

| Ref | Part No | Description | Remark | QTY | KIT |
|-----|--------------|-----------------------|--------|-----|-----|
| 1 | 586 26 26-07 | TUBE ASSY | | 1 | |
| 2 | 544 02 94-01 | SPACER | | 2 | 1 |
| 3 | 506 11 03-01 | O-RING | | 1 | 1 |
| 4 | 537 30 98-01 | ANTIVIBRATION ELEMENT | | 1 | 1 |
| 5 | 537 30 97-02 | TAPE | | 1 | 1 |
| 7 | 523 01 88-01 | BEARING SHAFT | | 1 | 1 |
| 8 | 503 95 54-01 | DRIVE SHAFT | | 1 | |
| 9 | 589 29 51-01 | LABEL | | 1 | |

G2 545FX AT, 545FXT AT
CYLINDER COVER



7 — **545 FX**
AutoTune™

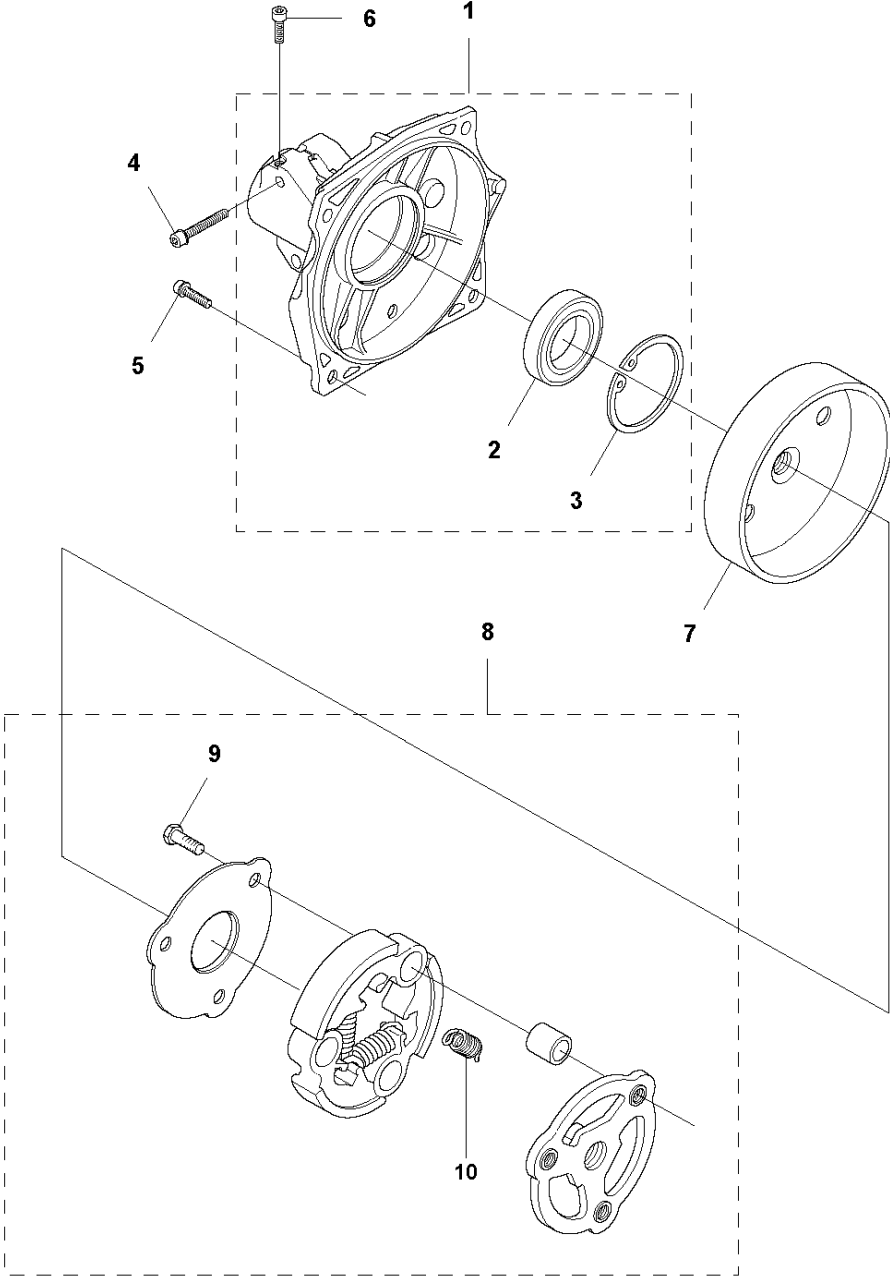
8 — **545 FXT**
AutoTune™

CYLINDER COVER

545FX AT, 2017-12

| Ref | Part No | Description | Remark | QTY KIT |
|-----|--------------|----------------|--------|---------|
| 1 | 579 45 04-01 | CYLINDER COVER | | 1 |
| 2 | 574 47 70-04 | SCREW IHSCFMO | | 3 |
| 3 | 576 92 00-05 | HEAT PROTECTOR | | 1 |
| 4 | 503 20 07-74 | SCREW IHSCFM | | 1 |
| 5 | 579 81 75-01 | SKID PLATE | | 1 |
| 6 | 503 20 07-74 | SCREW IHSCFM | | 2 |
| 7 | 582 80 54-02 | LABEL | | 1 |
| 8 | 582 80 54-03 | LABEL | | 1 |

F 545RXT AT, 545FX AT, 545FXT AT
CLUTCH

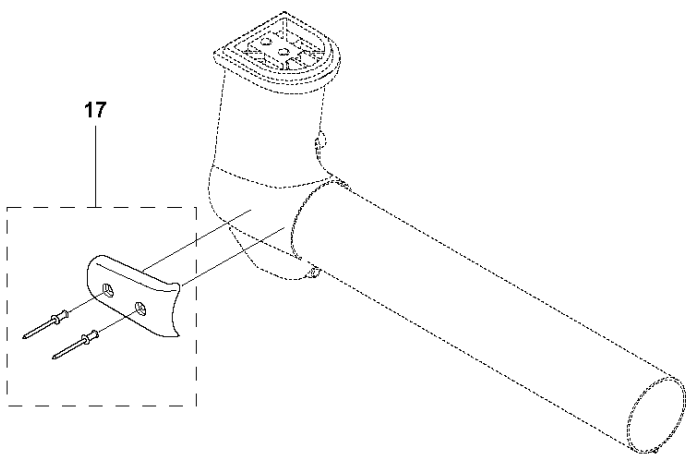
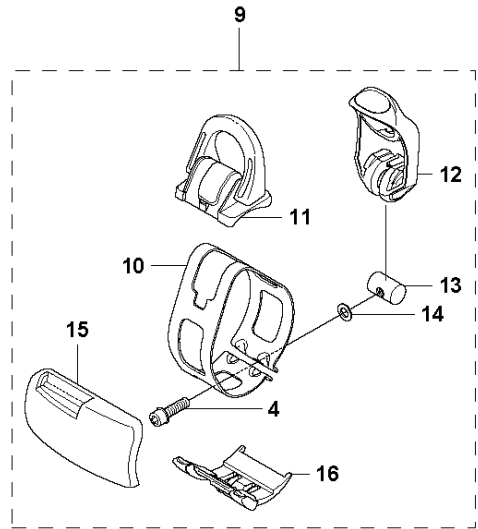
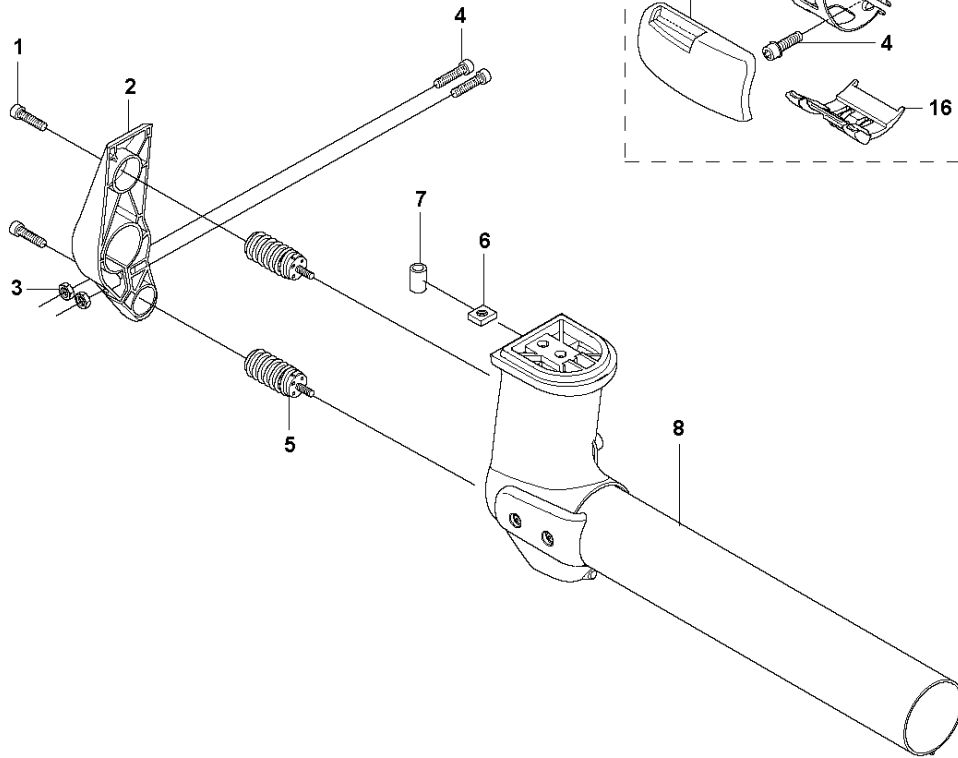


CLUTCH

545FX AT, 2017-12

| Ref | Part No | Description | Remark | QTY KIT | |
|-----|--------------|------------------|--------------------------------|---------|---|
| 1 | 503 95 41-04 | CLUTCH COVER | | 1 | |
| 2 | 738 22 02-19 | BALL BEARING | | 1 | 1 |
| 3 | 735 31 33-10 | CIRCLIP | | 1 | 1 |
| 4 | 503 20 02-30 | SCREW IHSCFM | | 2 | |
| 5 | 503 20 02-20 | SCREW IHSCFM | | 4 | |
| 6 | 503 20 20-01 | SCREW IHSCM | QTY:1 bag containing 10 screws | 1 | |
| 7 | 544 90 07-01 | CLUTCH DRUM ASSY | | 1 | |
| 8 | 588 46 66-01 | CLUTCH ASSY | | 1 | |
| 9 | 503 20 18-02 | SCREW EHHM | | 3 | 8 |
| 10 | 505 43 53-02 | CLUTCH SPRING | | 3 | 8 |

C2 545FX AT, 545FXT AT
SUSPENSION

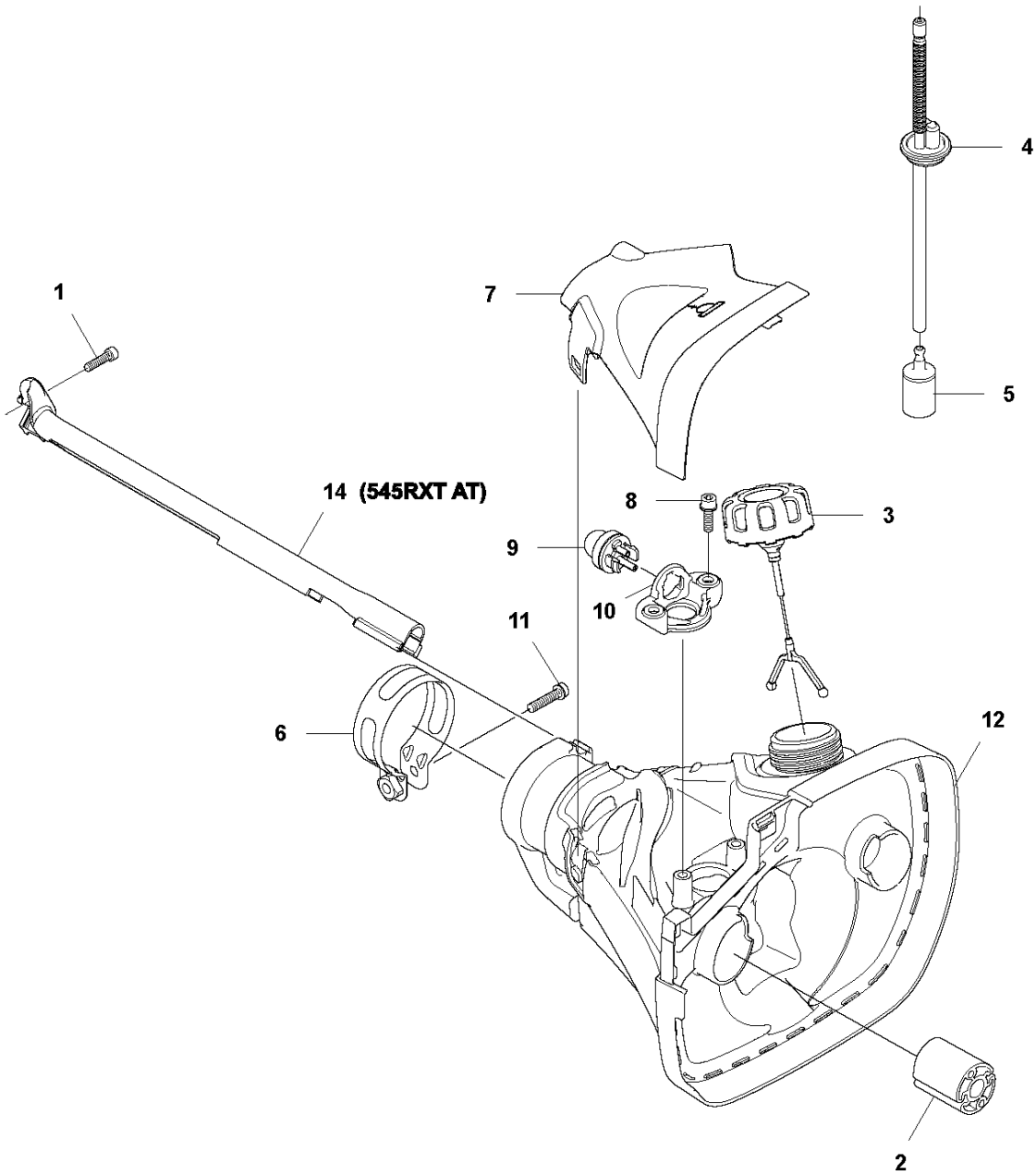


SUSPENSION

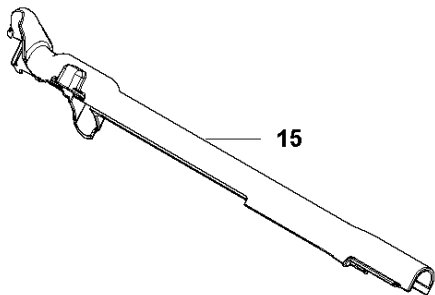
545FX AT, 2017-12

| Ref | Part No | Description | Remark | QTY | KIT |
|-----|--------------|-----------------------|---------------------------|-----|-----|
| 1 | 503 20 03-16 | SCREW IHSCFM | | 2 | |
| 2 | 589 01 58-01 | HOLDER | | 1 | |
| 3 | 503 22 10-12 | HEXAGON NUT | | 2 | |
| 4 | 503 20 02-25 | SCREW IHSCFM | | 2 | 9 |
| 5 | 588 82 99-01 | ANTIVIBRATION ELEMENT | | 2 | |
| 6 | 502 19 71-01 | SQUARE NUT | | 1 | |
| 7 | 503 85 73-02 | COVER | | 1 | |
| 8 | 581 97 89-01 | SUSPENSION | | 1 | |
| 9 | 577 37 57-01 | LOOP | | 1 | |
| 10 | 537 19 79-01 | BAND | | 1 | 9 |
| 11 | 537 20 18-03 | LOOP | | 1 | 9 |
| 12 | 577 20 83-01 | LEVER | | 1 | 9 |
| 13 | 537 42 73-01 | NUT | | 1 | 9 |
| 14 | 503 23 00-11 | WASHER | One bag containing 10 pcs | 1 | 9 |
| 15 | 544 25 07-01 | WEAR PROTECTION | | 1 | 9 |
| 16 | 577 29 93-01 | GUIDE RAIL | | 1 | 9 |
| 17 | 586 20 27-01 | WEAR PROTECTION | | 1 | |

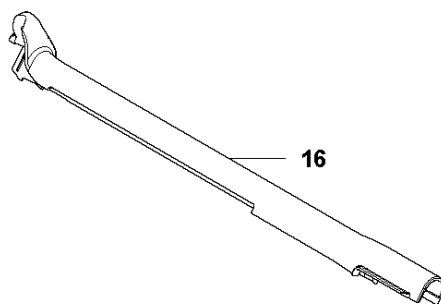
E 545RXT AT, 545FX AT, 545FXT AT
FUEL TANK



545FXT AT



545FX AT

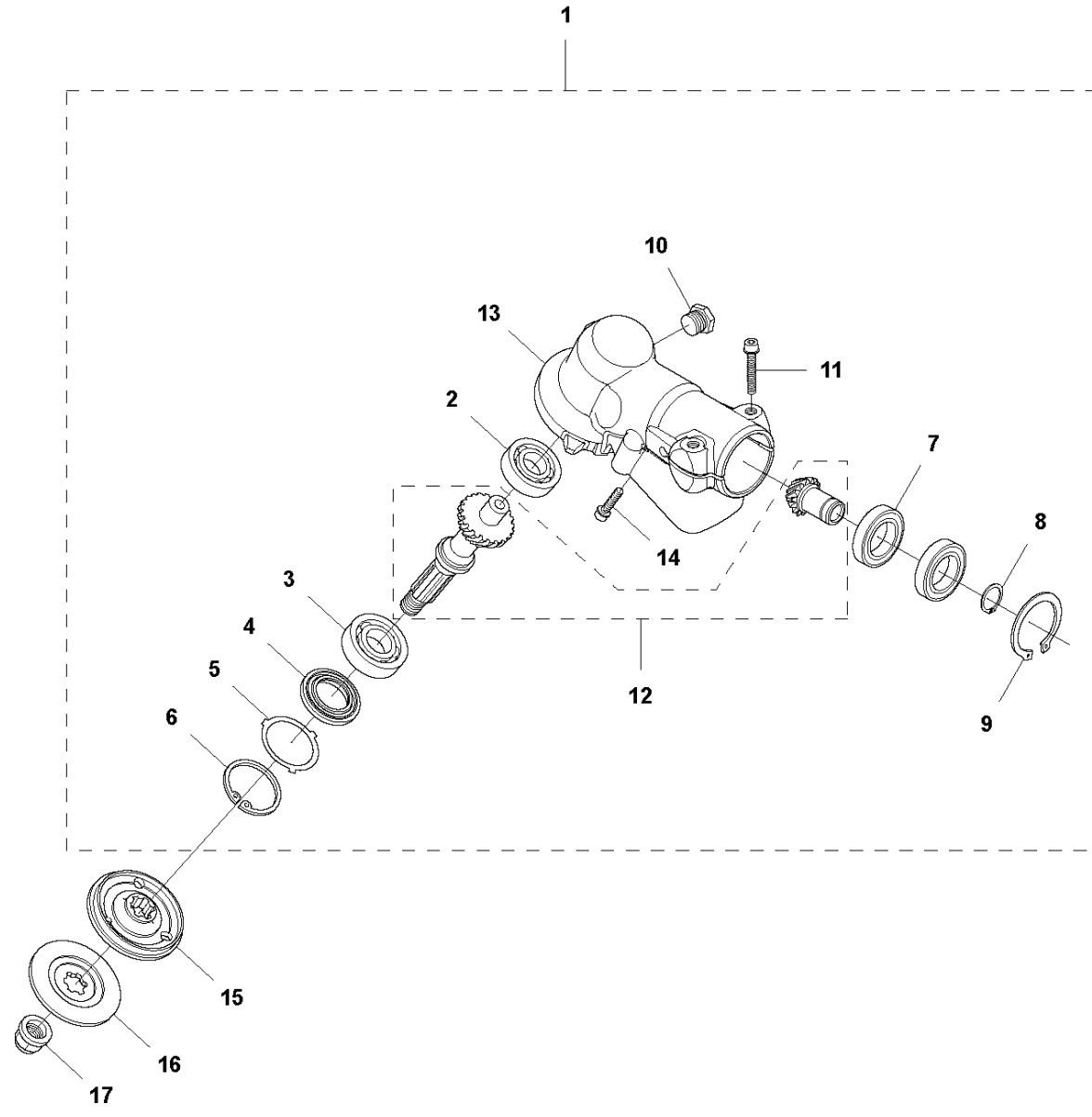


FUEL TANK

545FX AT, 2017-12

| Ref | Part No | Description | Remark | QTY KIT |
|-----|--------------|-----------------------|--------|---------|
| 1 | 503 20 02-16 | SCREW IHSCFM | | 1 |
| 2 | 510 20 87-01 | ANTIVIBRATION ELEMENT | | 1 |
| 3 | 504 11 32-01 | TANK CAP | | 1 |
| 4 | 544 21 54-01 | FUEL HOSE | | 1 |
| 5 | 503 44 32-01 | FUEL FILTER | | 1 |
| 6 | 581 84 89-01 | CLAMP | | 1 |
| 7 | 580 77 10-01 | COVER LID | | 1 |
| 8 | 503 21 75-16 | SCREW IHSCFT | | 2 |
| 9 | 503 93 66-01 | PURGE | | 1 |
| 10 | 544 21 53-01 | BRACKET | | 1 |
| 11 | 503 20 03-02 | SCREW IHSCFM | | 1 |
| 12 | 580 77 08-01 | FUEL TANK ASSY | | 1 |
| 14 | 537 17 25-01 | COVER | RXT AT | 1 |
| 15 | 584 14 81-01 | WIRING PROTECTION | FXT AT | 1 |
| 16 | 537 17 25-02 | COVER | FX AT | 1 |

A2 545FX AT, 545FXT AT
BEVEL GEAR

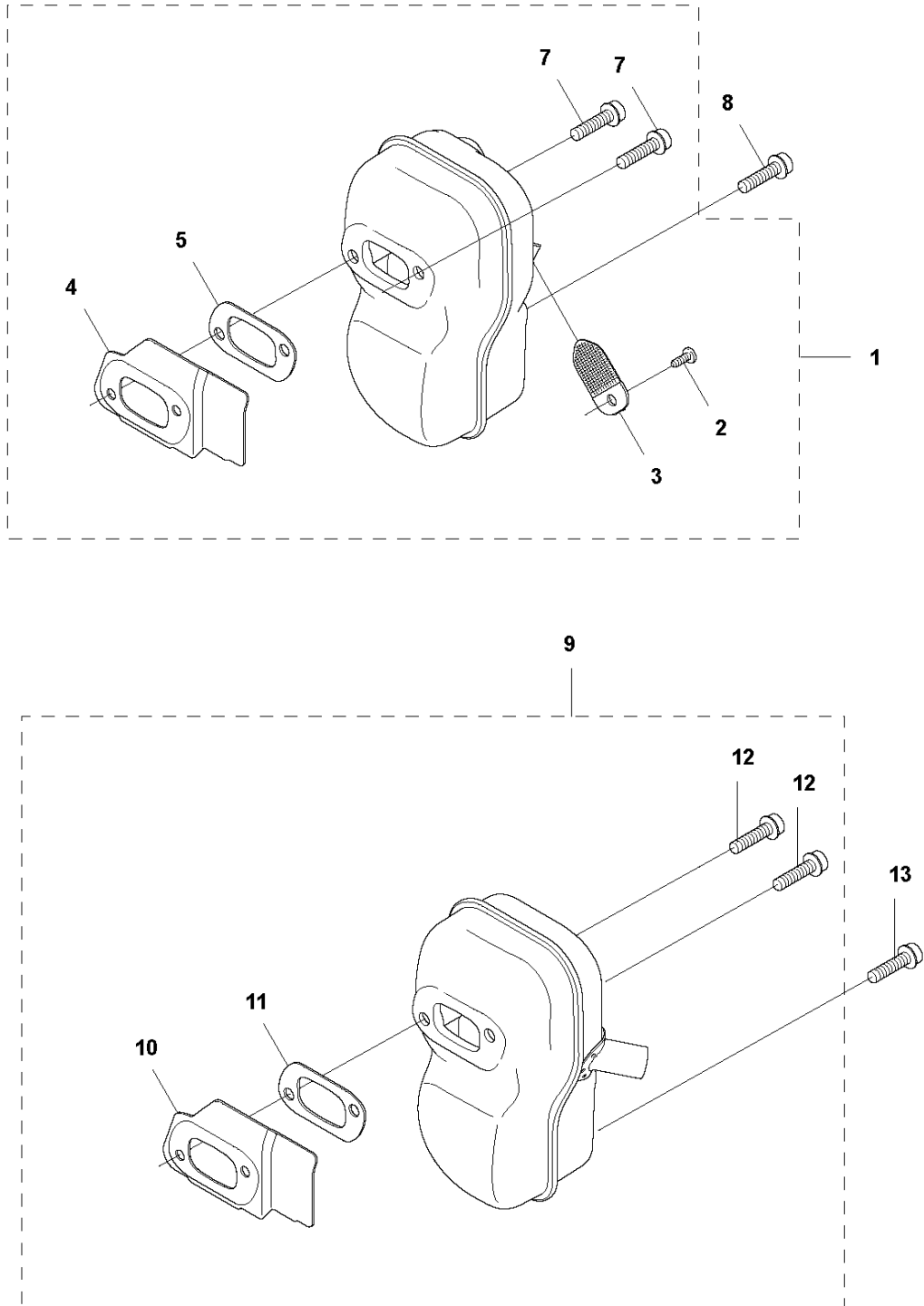


BEVEL GEAR

545FX AT, 2017-12

| Ref | Part No | Description | Remark | QTY | KIT |
|-----|--------------|----------------|--------|-----|-----|
| 1 | 588 16 33-01 | GEAR ASSY | | 1 | |
| 2 | 738 21 01-10 | BALL BEARING | | 1 | 1 |
| 3 | 503 25 08-01 | BEARING | | 1 | 1 |
| 4 | 503 26 17-01 | SEALING | | 1 | 1 |
| 5 | 503 75 89-01 | COVER WASHER | | 1 | 1 |
| 6 | 735 31 33-10 | CIRCLIP | | 1 | 1 |
| 7 | 738 21 87-12 | BALL BEARING | | 2 | 1 |
| 8 | 735 31 17-00 | CIRCLIP | | 1 | 1 |
| 9 | 735 31 31-10 | CIRCLIP | | 1 | 1 |
| 10 | 503 20 15-01 | SCREW IHHM | | 1 | 1 |
| 11 | 503 20 02-25 | SCREW IHSCFM | | 2 | 1 |
| 12 | 587 97 76-01 | GEAR | | 1 | 1 |
| 13 | 502 29 79-01 | GEAR HOUSING | | 1 | 1 |
| 14 | 503 20 03-16 | SCREW IHSCFM | | 4 | 1 |
| 15 | 544 19 78-01 | DRIVER | | 1 | |
| 16 | 537 34 35-02 | SUPPORT FLANGE | | 1 | |
| 17 | 502 29 11-01 | BLADE NUT | | 1 | |

H1 545RXT AT, 545FX AT
MUFFLER

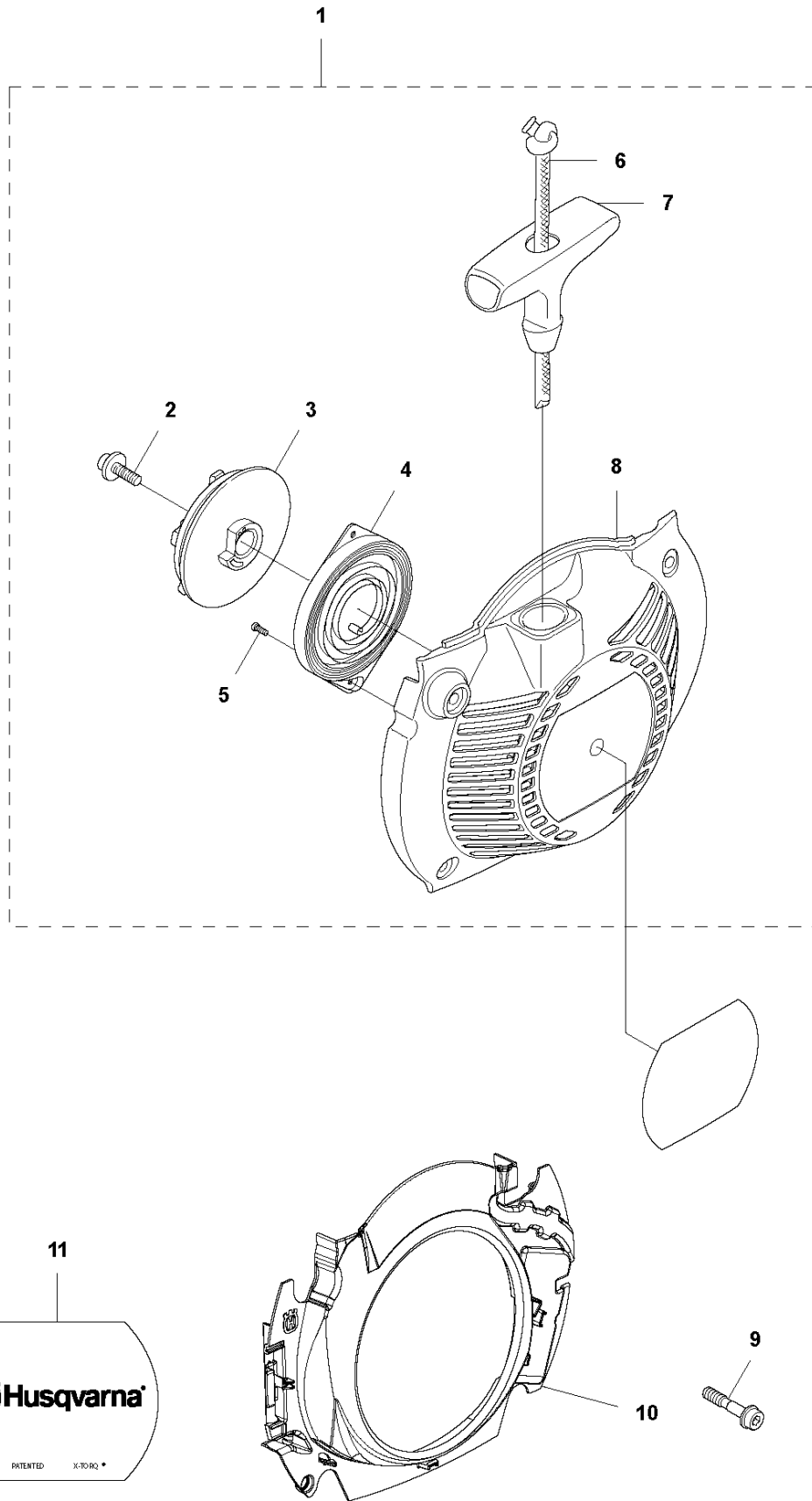


MUFFLER

545FX AT, 2017-12

| Ref | Part No | Description | Remark | QTY KIT | |
|-----|--------------|-----------------------|--------|---------|---|
| 1 | 574 38 11-06 | MUFFLER KIT | FF | 1 | |
| 2 | 724 12 87-59 | SCREW CRPANM | | 1 | 1 |
| 3 | 522 60 95-01 | SPARK ARRESTER SCREEN | | 1 | 1 |
| 4 | 522 93 87-01 | HEAT DEFLECTOR | | 3 | 1 |
| 5 | 522 95 44-01 | GASKET | | 1 | 1 |
| 7 | 503 20 07-76 | SCREW IHSCFM | | 2 | 1 |
| 8 | 503 20 07-76 | SCREW IHSCFM | | 1 | |
| 9 | 574 38 11-05 | MUFFLER KIT | PIPE | 1 | |
| 10 | 522 93 87-01 | HEAT DEFLECTOR | | 1 | 9 |
| 11 | 522 95 44-01 | GASKET | | 1 | 9 |
| 12 | 503 20 07-76 | SCREW IHSCFM | | 2 | 9 |
| 13 | 503 20 07-76 | SCREW IHSCFM | | 1 | |

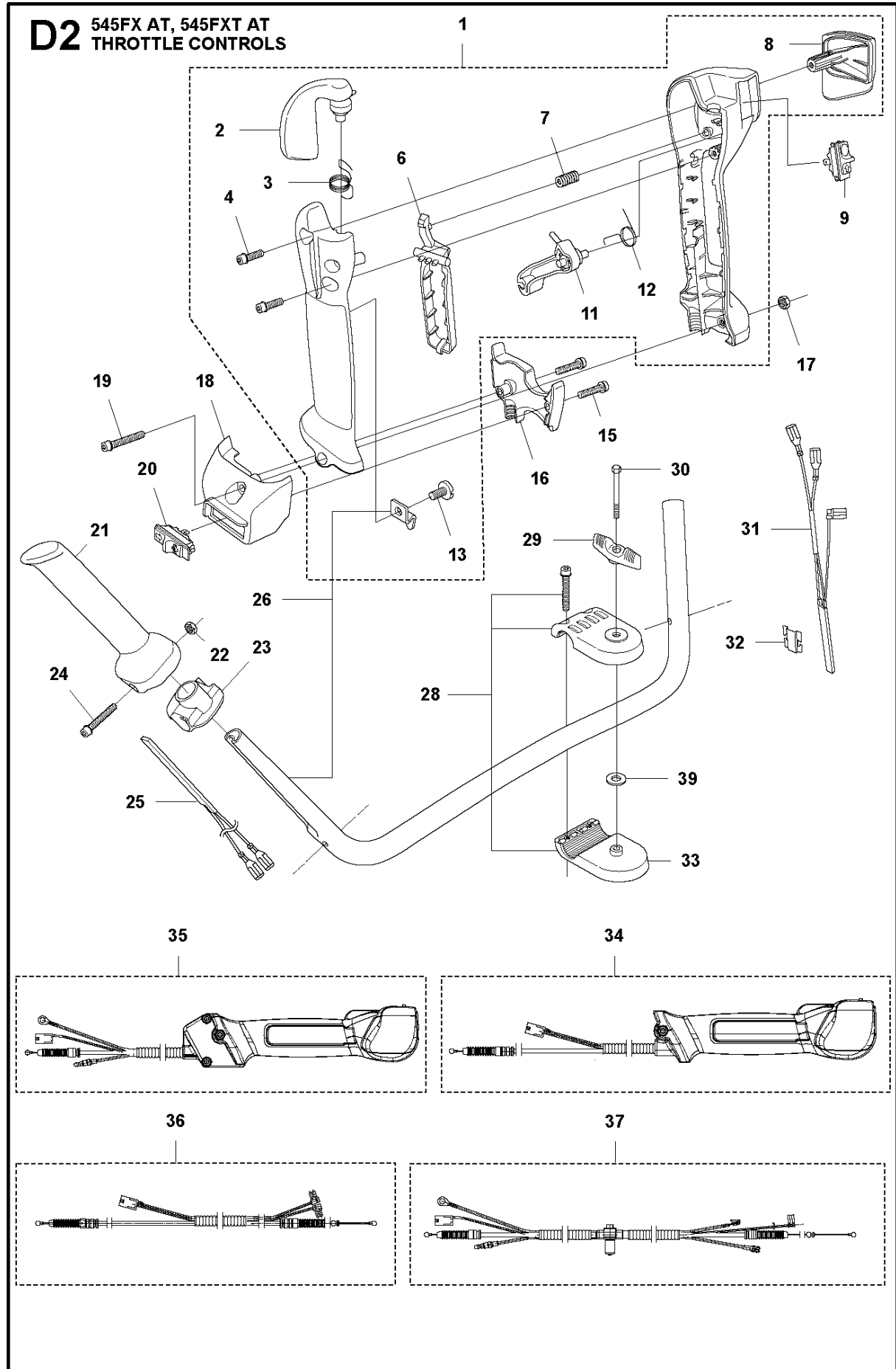
K 545RXT AT, 545FX AT, 545FXT AT
STARTER



STARTER

545FX AT, 2017-12

| Ref | Part No | Description | Remark | QTY | KIT |
|-----|--------------|-----------------------|---------------|-----|-----|
| 1 | 573 96 08-01 | STARTER | | 1 | |
| 2 | 503 21 69-16 | SCREW IHSC T | | 1 | 1 |
| 3 | 503 95 73-01 | STARTER PULLEY | | 1 | 1 |
| 4 | 502 20 06-01 | SPRING CASSETTE ASSY | | 1 | 1 |
| 5 | 503 21 29-10 | SCREW CCRPANT | | 2 | 1 |
| 6 | 505 30 51-25 | STARTER CORD | | 1 | 1 |
| 7 | 537 23 25-01 | STARTER HANDLE | | 1 | 1 |
| 8 | 502 15 77-01 | STARTER ASSY | | 1 | 1 |
| 9 | 574 47 70-04 | SCREW IHSCFMO | Captive Screw | 4 | |
| 10 | 579 43 47-01 | COOLING AIR CONDUCTOR | | 1 | |
| 11 | 576 46 81-01 | LABEL | | 1 | |

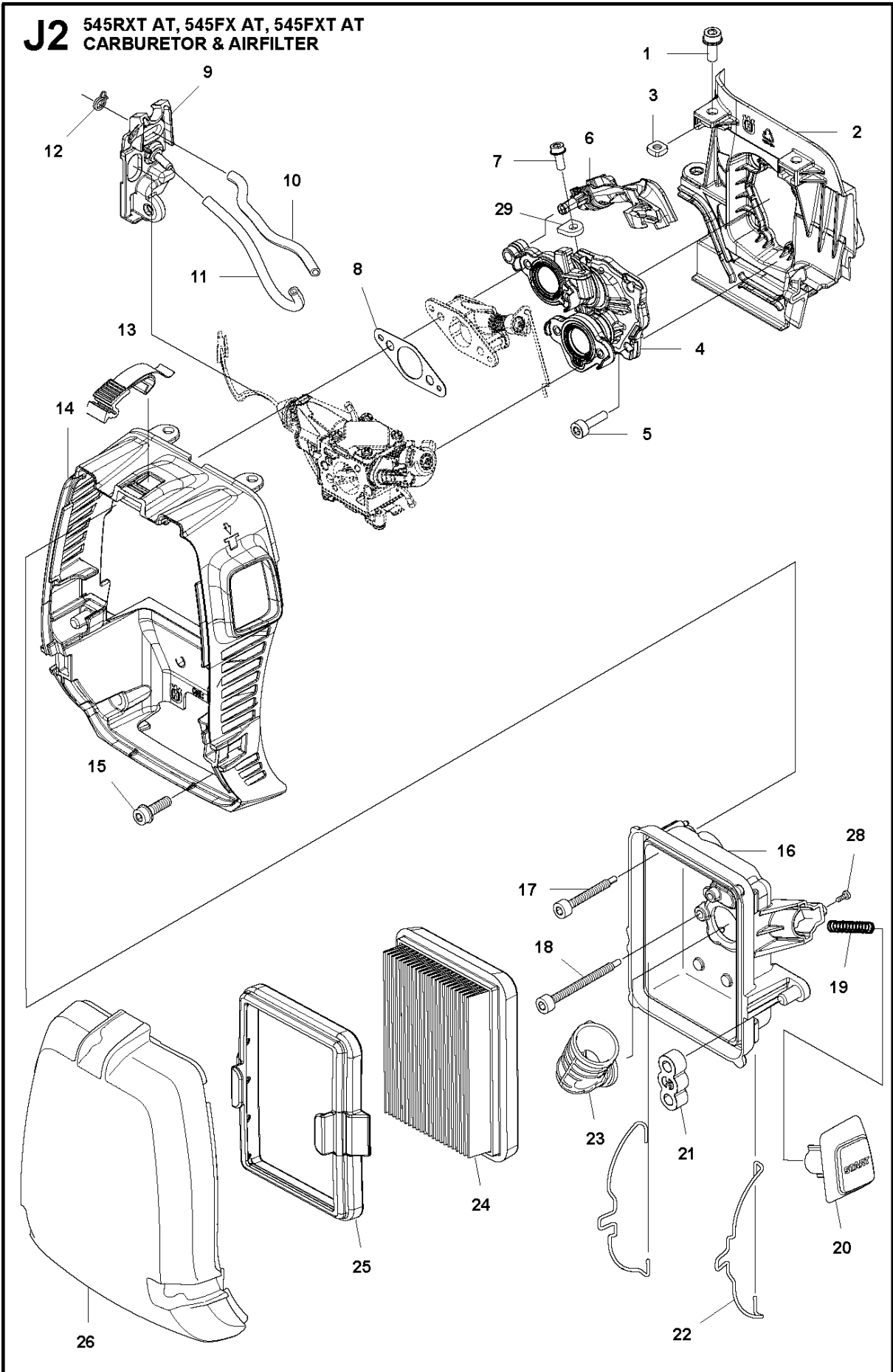


THROTTLE CONTROLS

545FX AT, 2017-12

| Ref | Part No | Description | Remark | QTY | KIT |
|-----|--------------|----------------------|--|-----|-----------|
| 1 | 537 19 72-13 | THROTTLE HANDLE | Thumb-operated throttle | 1 | 34, 35 |
| 2 | 537 26 34-01 | THROTTLE TRIGGER | | 1 | 1, 34, 35 |
| 3 | 537 35 32-01 | SPRING | | 1 | 1, 34, 35 |
| 4 | 503 21 75-20 | SCREW IHSCFT | | 2 | 1, 34, 35 |
| 6 | 537 15 56-01 | THROTTLE LOCKOUT | | 1 | 1, 34, 35 |
| 7 | 537 19 97-01 | SPRING | | 1 | 1, 34, 35 |
| 8 | 537 18 24-01 | COVER | | 1 | 1, 34, 35 |
| 9 | 537 41 90-01 | SWITCH | | 1 | 34, 35 |
| 11 | 537 26 35-01 | THROTTLE LEVER | | 1 | 1, 34, 35 |
| 12 | 537 34 27-01 | SPRING | | 1 | 1, 34, 35 |
| 13 | 503 21 70-10 | SCREW CCRPANT | | 1 | 1, 34, 35 |
| 15 | 503 21 66-74 | SCREW IHSCFT | FXT AT | 2 | 35 |
| 16 | 537 20 16-01 | RETAINER | FXT AT | 1 | 35 |
| 17 | 731 23 14-05 | HEXAGON NUT | | 1 | |
| 18 | 537 20 15-01 | RETAINER | FXT AT | 1 | 35 |
| 19 | 503 20 07-82 | SCREW IHSCFM | FX AT | 1 | |
| 19 | 503 20 07-84 | SCREW IHSCFM | FXT AT | 1 | 35 |
| 20 | 503 71 82-02 | SWITCH | FXT AT | 1 | 35 |
| 21 | 537 17 28-05 | HANDLE | | 1 | |
| 22 | 731 23 14-05 | HEXAGON NUT | | 1 | |
| 23 | 537 17 29-02 | BRACKET | | 1 | |
| 24 | 503 20 02-45 | SCREW IHSCFM | | 1 | |
| 25 | 537 22 72-01 | ELEMENT | FXT AT | 1 | 35 |
| 26 | 525 88 20-01 | KIT | FX AT | 1 | |
| 26 | 525 88 20-02 | KIT | FXT AT | 1 | |
| 28 | 595 30 36-01 | HANDLEBAR BRACKET | s/n from 20173300001 up to 20181100180 | 1 | |
| 28 | 595 53 36-01 | HANDLEBAR BRACKET | | 1 | |
| 29 | 502 20 38-01 | KNOB | | 1 | |
| 30 | 725 23 83-81 | SCREW EHHM | | 1 | |
| 31 | 537 22 71-01 | ELEMENT | FXT AT | 1 | 35 |
| 32 | 537 26 51-01 | SECURING PLATE | FXT AT | 2 | 35 |
| 33 | 537 12 91-01 | HANDLE BRACKET | | 1 | |
| 34 | 589 93 41-01 | THROTTLE HANDLE ASSY | FX AT, Thumb-operated throttle | 1 | |
| 35 | 589 93 41-02 | THROTTLE HANDLE ASSY | FXT AT, Thumb-operated throttle | 1 | |
| 36 | 579 25 48-01 | WIRING ASSY | FX AT | 1 | 34 |
| 37 | 579 25 48-02 | WIRING ASSY | FXT AT | 1 | 35 |
| 39 | 502 28 21-01 | WASHER | | 1 | |

J2 545RXT AT, 545FX AT, 545FXT AT
CARBURETOR & AIRFILTER

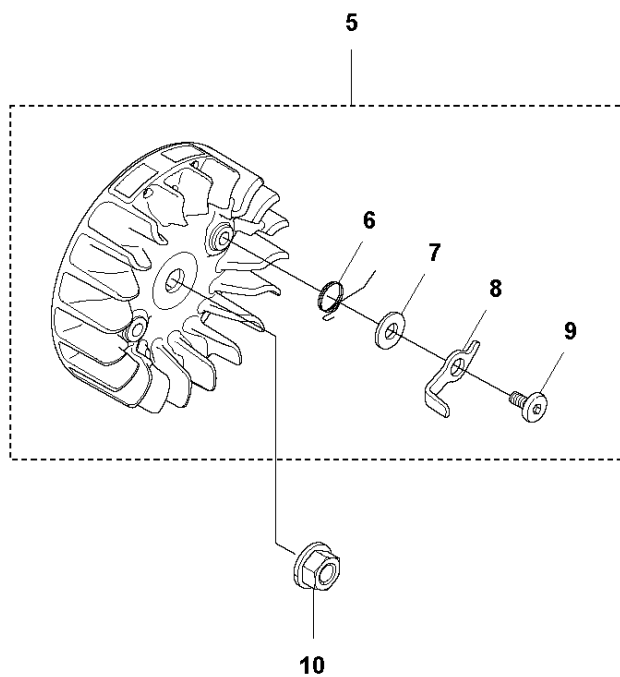
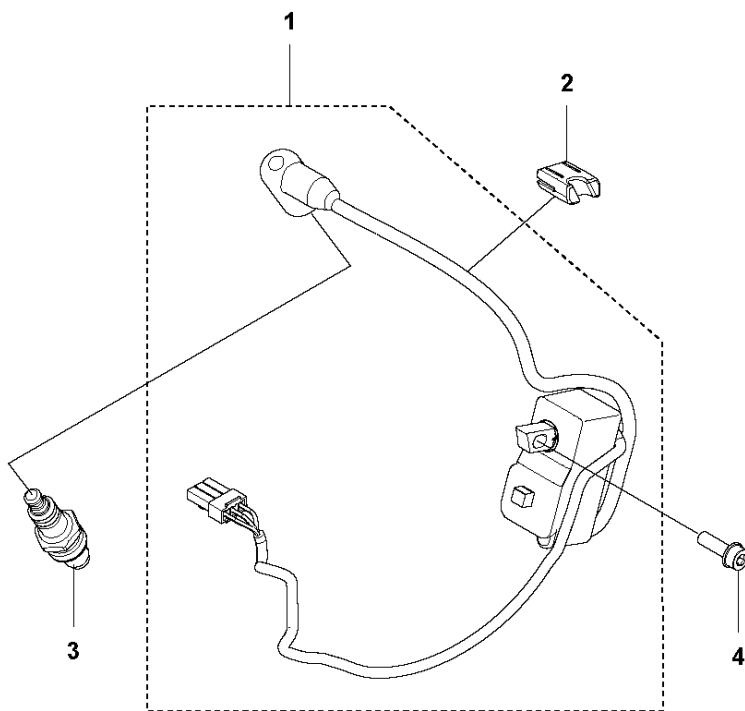


CARBURETOR & AIR FILTER

545FX AT, 2017-12

| Ref | Part No | Description | Remark | QTY | KIT |
|-----|--------------|------------------|--------|-----|-----|
| 1 | 503 20 07-12 | SCREW IHSCFM | | 2 | |
| 2 | 579 43 55-01 | INSULATION WALL | | 1 | |
| 3 | 503 22 65-04 | SQUARE NUT | | 2 | 2 |
| 4 | 580 83 28-02 | INLET PIPE ASSY | | 1 | |
| 5 | 503 20 25-16 | SCREW IHSCM | | 4 | |
| 6 | 579 48 06-01 | WIRE HOLDER | | 1 | |
| 7 | 503 20 20-08 | SCREW IHSCM | | 1 | |
| 8 | 501 16 93-01 | GASKET | | 1 | |
| 9 | 579 48 09-01 | GROMMET | | 1 | |
| 10 | 537 04 24-03 | FUEL HOSE | | 1 | |
| 11 | 581 75 61-18 | FUEL HOSE | | 1 | |
| 12 | 502 63 55-01 | HOSE CLAMP | | 1 | |
| 13 | 503 74 01-02 | SNAP LOCKING | | 3 | 14 |
| 14 | 579 45 03-01 | FRAME ASSY | | 1 | |
| 15 | 503 20 07-74 | SCREW IHSCFM | | 2 | |
| 16 | 579 48 26-01 | HOLDER | | 1 | |
| 17 | 583 93 73-02 | SCREW IHSCM | | 2 | |
| 18 | 583 93 73-01 | SCREW IHSCM | | 2 | |
| 19 | 582 08 75-01 | SPRING | | 1 | |
| 20 | 581 86 50-01 | START BUTTON | | 1 | |
| 21 | 580 80 23-01 | SUPPORT | | 2 | |
| 22 | 579 48 49-01 | SHACKLE | | 2 | |
| 23 | 579 48 32-01 | AIR INTAKE | | 1 | |
| 24 | 588 95 66-01 | AIR FILTER | | 1 | |
| 25 | 501 18 68-01 | FRAME | | 1 | |
| 26 | 579 45 24-01 | PROTECTIVE COVER | | 1 | |
| 28 | 724 12 22-01 | SCREW CRPANM | | 1 | |
| 29 | 574 40 44-01 | LOCKING NUT | | 1 | |

L1 545RXT AT, 545FX AT
IGNITION SYSTEM

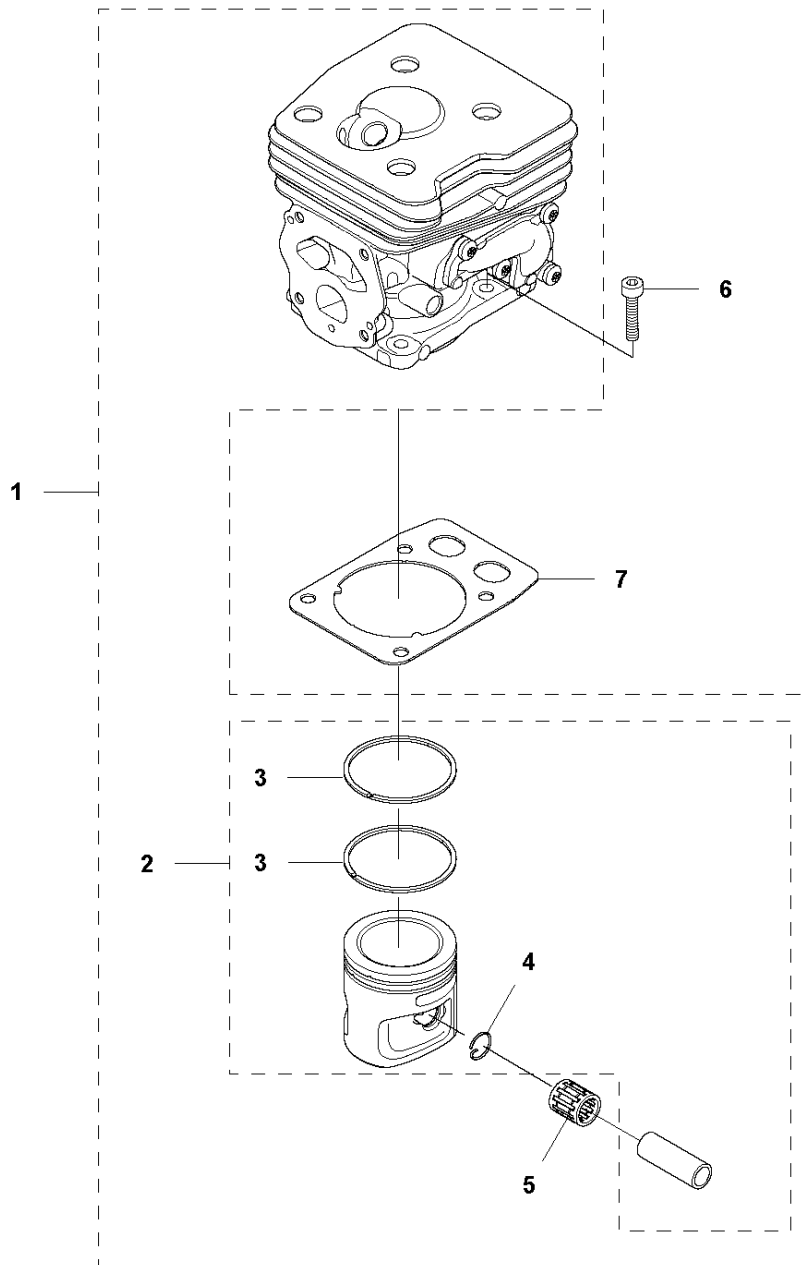


IGNITION SYSTEM

545FX AT, 2017-12

| Ref | Part No | Description | Remark | QTY KIT | |
|-----|--------------|----------------------|--------|---------|---|
| 1 | 582 72 33-01 | IGNITION MODULE ASSY | | 1 | |
| 2 | 593 24 70-01 | CABLE GUIDE | | 1 | |
| 3 | 574 51 96-01 | SPARK PLUG | | 1 | |
| 4 | 503 20 07-74 | SCREW IHSCFM | | 2 | |
| 5 | 578 12 63-01 | FLYWHEEL ASSY | | 1 | |
| 6 | 503 81 29-02 | SPRING | | 2 | 5 |
| 7 | 503 23 00-42 | WASHER | | 2 | 5 |
| 8 | 503 81 24-01 | STARTER PAWL | | 2 | 5 |
| 9 | 501 81 99-03 | SCREW | | 2 | 5 |
| 10 | 503 22 04-01 | NUT | | 1 | |

M 545RXT AT, 545FX AT, 545FXT AT
CYLINDER & PISTON

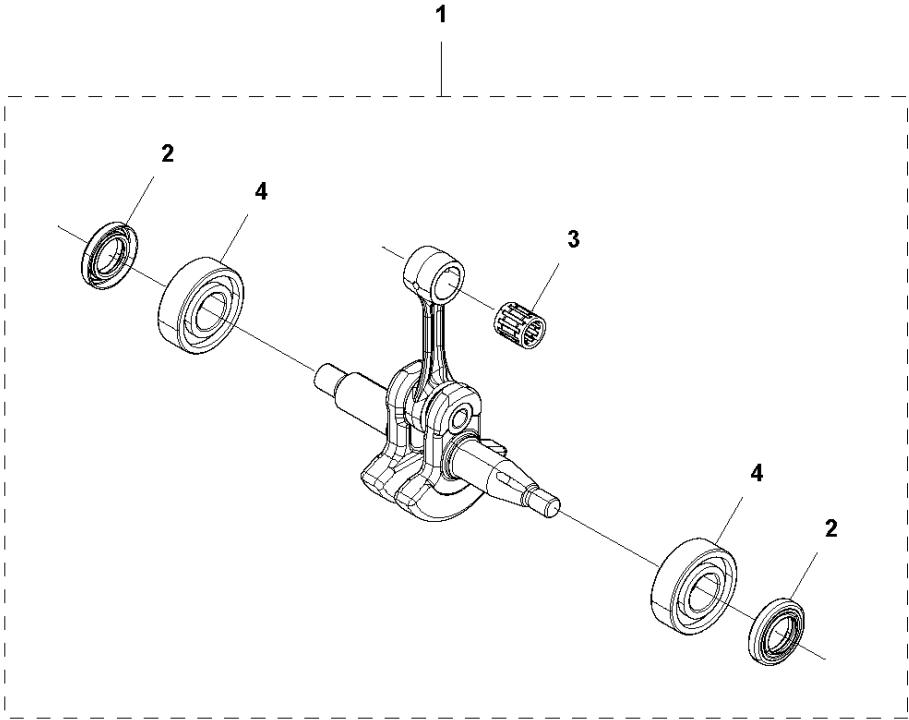


CYLINDER PISTON

545FX AT, 2017-12

| Ref | Part No | Description | Remark | QTY | KIT |
|-----|--------------|----------------|--------|-----|------|
| 1 | 577 27 49-03 | CYLINDER KIT | | 1 | |
| 2 | 576 28 27-02 | PISTON ASSY | | 1 | 1 |
| 3 | 576 28 30-01 | PISTON RING | | 2 | 1, 2 |
| 4 | 737 44 10-00 | SNAP RING | | 1 | 1, 2 |
| 5 | 503 25 63-01 | NEEDLE BEARING | | 1 | 1 |
| 6 | 725 53 33-55 | SCREW IHSCM | | 4 | |
| 7 | 587 15 34-01 | GASKET | | 1 | |

N 545RXT AT, 545FX AT, 545FXT AT
CRANK SHAFT

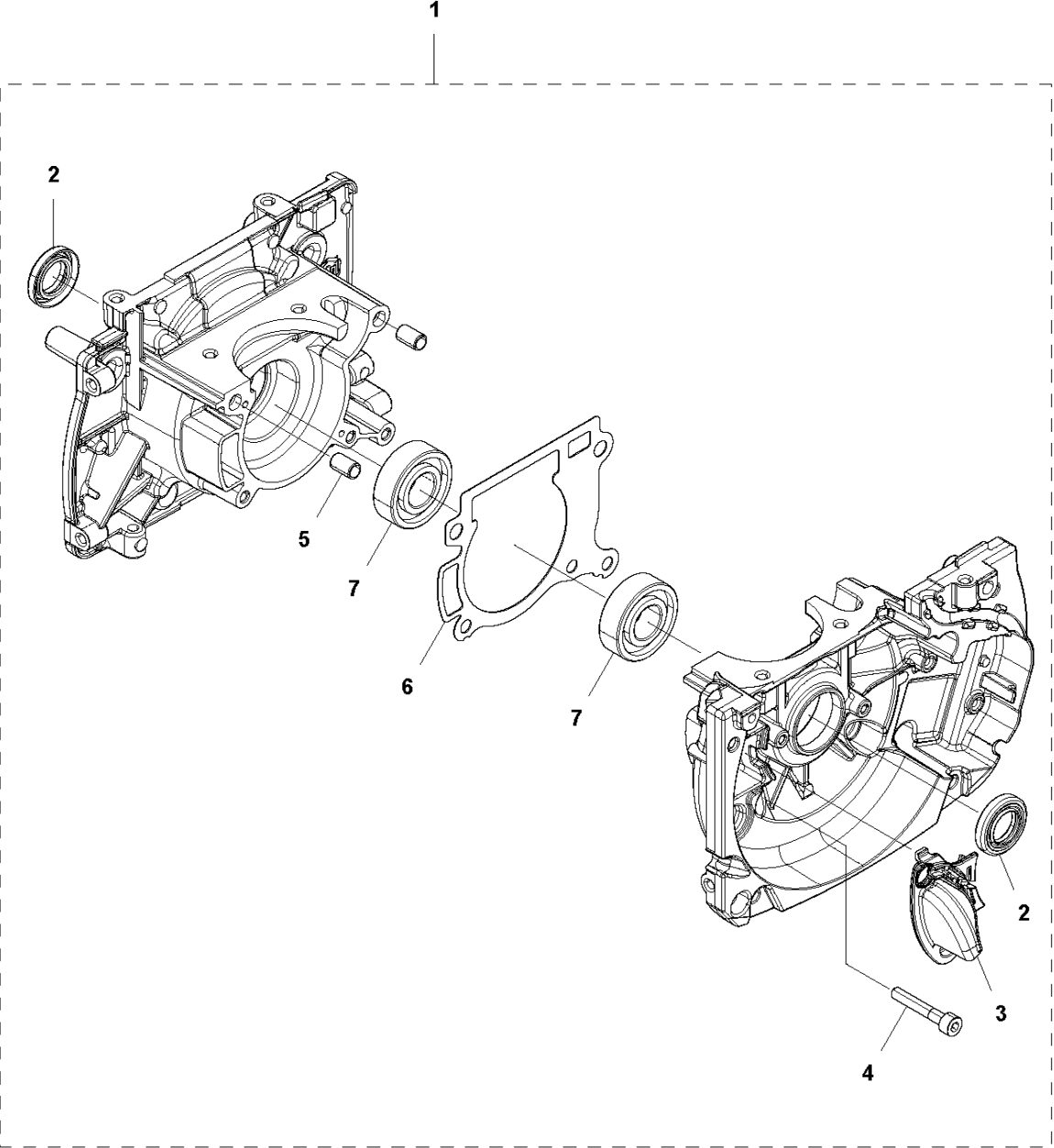


CRANKSHAFT

545FX AT, 2017-12

| Ref | Part No | Description | Remark | QTY KIT | |
|-----|--------------|----------------|--------|---------|---|
| 1 | 577 27 48-02 | CRANKSHAFT KIT | | 1 | |
| 2 | 589 21 03-01 | RADIAL SEAL | | 2 | 1 |
| 3 | 503 25 63-01 | NEEDLE BEARING | | 1 | 1 |
| 4 | 503 25 08-01 | BEARING | | 2 | 1 |

P 545RXT AT, 545FX AT, 545FXT AT
CRANKCASE

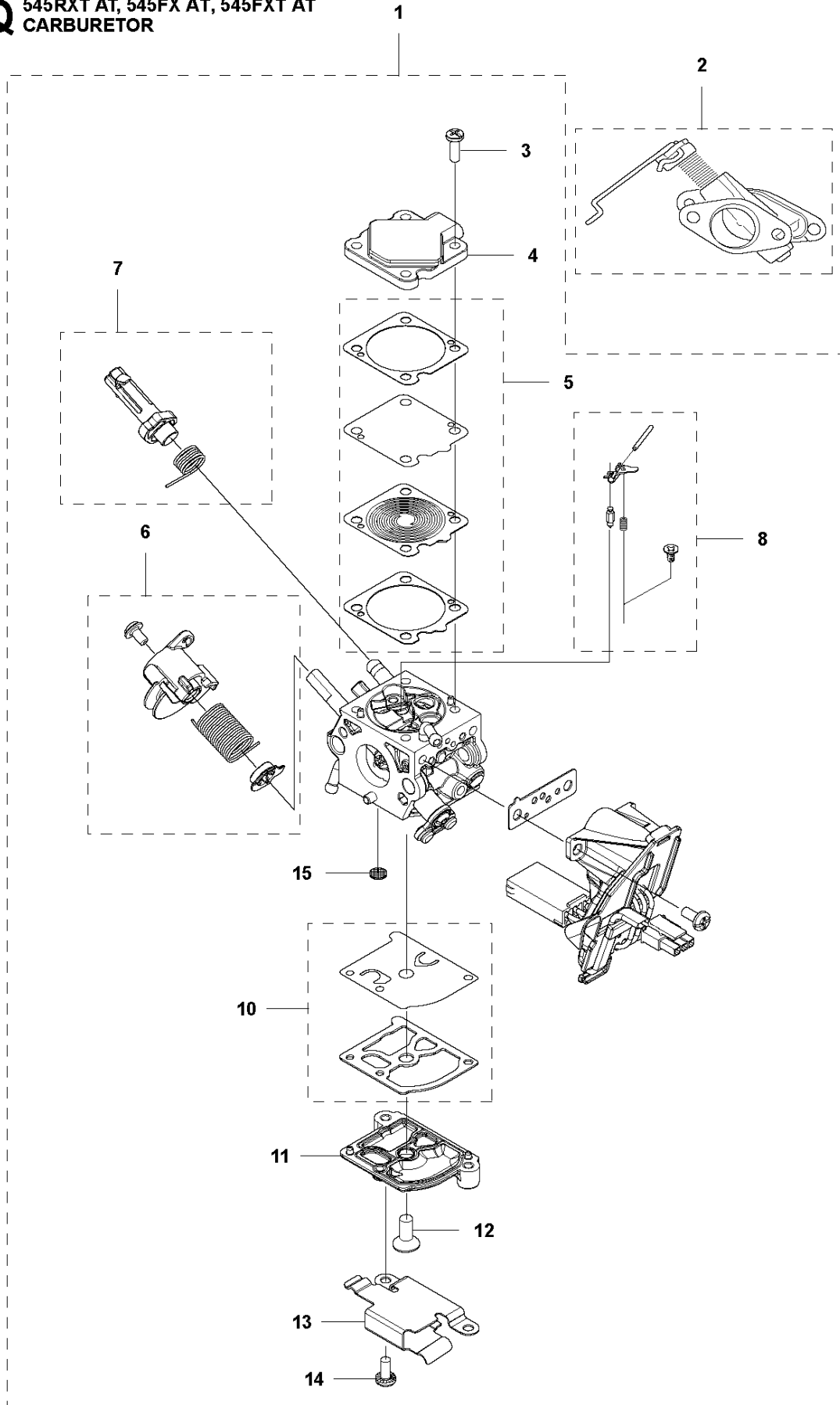


CRANKCASE

545FX AT, 2017-12

| Ref | Part No | Description | Remark | QTY | KIT |
|-----|--------------|---------------|--------|-----|-----|
| 1 | 589 77 26-01 | CRANKCASE KIT | | 1 | |
| 2 | 589 21 03-01 | RADIAL SEAL | | 2 | 1 |
| 3 | 579 48 89-01 | NOZZLE | | 1 | 1 |
| 4 | 503 20 02-30 | SCREW IHSCFM | | 5 | 1 |
| 5 | 501 27 08-01 | GUIDE BUSHING | | 2 | 1 |
| 6 | 588 57 41-01 | GASKET | | 1 | 1 |
| 7 | 503 25 08-01 | BEARING | | 2 | 1 |

Q 545RXT AT, 545FX AT, 545FXT AT
CARBURETOR

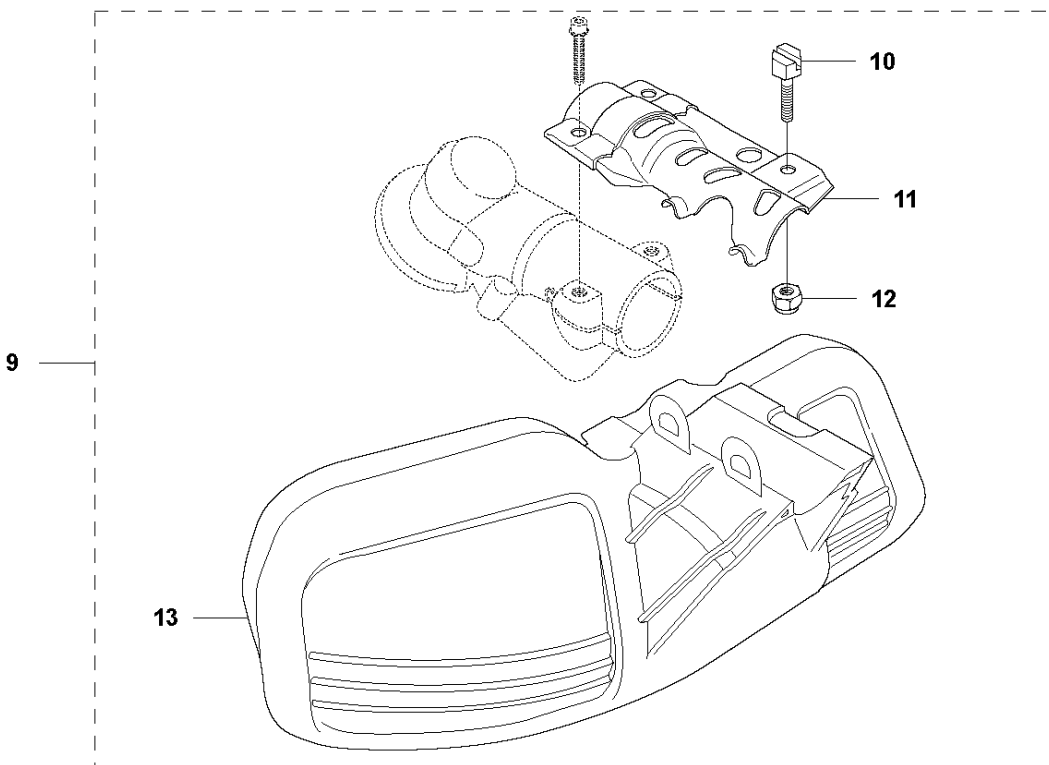
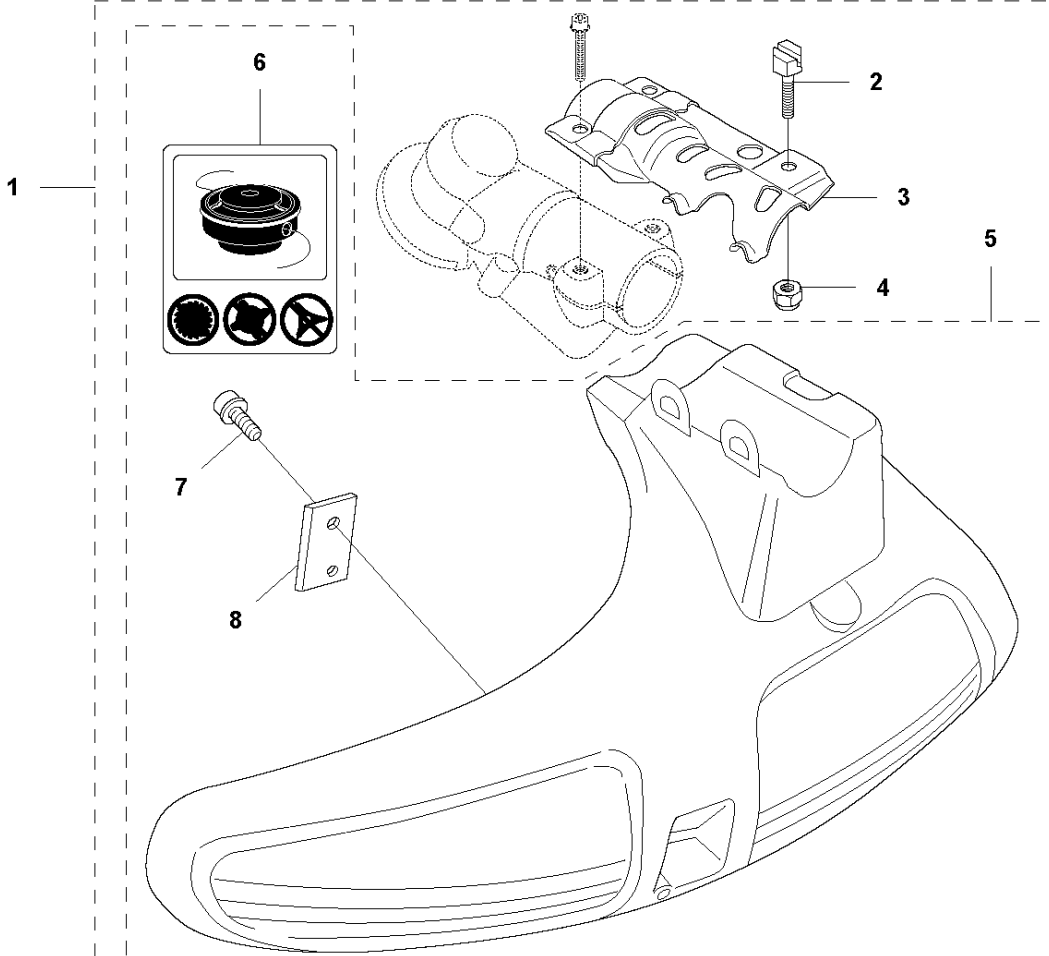


CARBURETOR

545FX AT, 2017-12

| Ref | Part No | Description | Remark | QTY KIT | |
|-----|--------------|------------------------|--------|---------|---|
| 1 | 589 29 29-01 | CARBURETTOR | | 1 | |
| 2 | 578 98 93-01 | HOUSING ASSY | | 1 | |
| 3 | 537 00 31-01 | SCREW | | 4 | 1 |
| 4 | 574 35 81-01 | COVER | | 1 | 1 |
| 5 | 582 36 64-01 | DIAPHRAGM & GASKET KIT | | 1 | 1 |
| 6 | 589 28 84-01 | CARBURETTOR KIT | | 1 | 1 |
| 7 | 589 28 78-01 | CARBURETTOR KIT | | 1 | 1 |
| 8 | 589 28 85-01 | CARBURETTOR KIT | | 1 | 1 |
| 10 | 589 28 86-01 | CARBURETTOR KIT | | 1 | 1 |
| 11 | 579 26 52-01 | COVER | | 1 | 1 |
| 12 | 574 35 90-01 | SCREW | | 1 | 1 |
| 13 | 583 90 90-01 | BRACKET | | 1 | 1 |
| 14 | 574 35 91-01 | SCREW | | 2 | 1 |
| 15 | 501 66 61-01 | SCREEN | | 1 | |

R5 545FX AT, 545FXT AT
ACCESSORIES

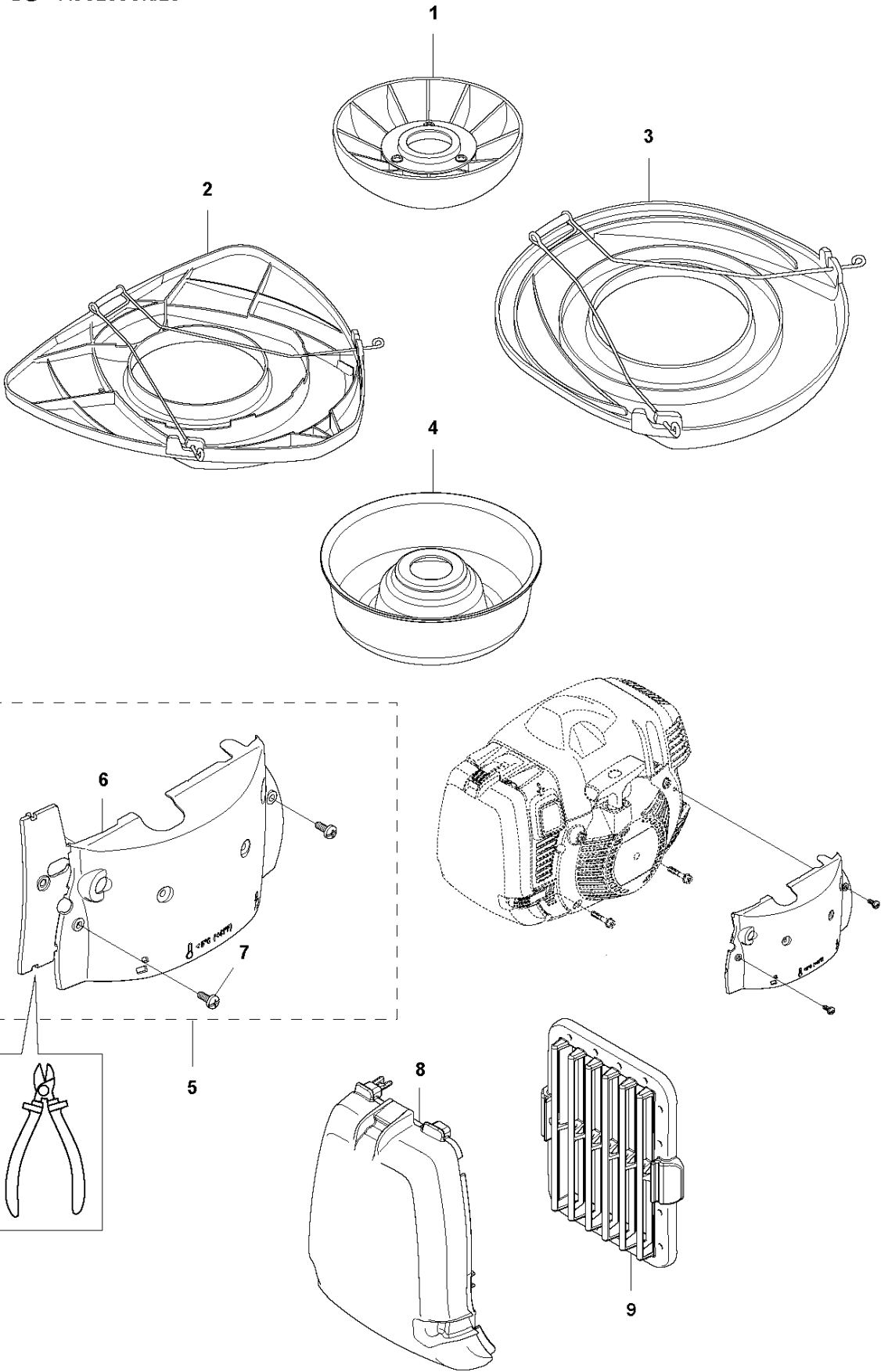


ACCESSORIES

545FX AT, 2017-12

| Ref | Part No | Description | Remark | QTY | KIT |
|-----|--------------|-------------------|--------|-----|------|
| 1 | 537 29 73-01 | TRIMMER GUARD | | 1 | |
| 2 | 537 18 95-01 | SCREW | | 1 | 1 |
| 3 | 537 23 03-01 | ATTACHMENT PLATE | | 1 | 1 |
| 4 | 732 21 16-01 | LOCK NUT | | 1 | 1 |
| 5 | 503 95 43-02 | TRIMMER GUARD | | 1 | 1 |
| 6 | 503 74 29-01 | DECAL | | 1 | 1, 5 |
| 7 | 503 21 07-16 | SCREW IHSCT | | 1 | 1, 5 |
| 8 | 537 28 53-01 | BLADE | | 1 | 1, 5 |
| 9 | 537 29 74-01 | GRASS BLADE GUARD | | 1 | |
| 10 | 537 18 95-01 | SCREW | | 1 | 9 |
| 11 | 537 23 03-01 | ATTACHMENT PLATE | | 1 | 9 |
| 12 | 732 21 16-01 | LOCK NUT | | 1 | 9 |
| 13 | 537 28 85-01 | GRASS BLADE GUARD | | 1 | 9 |

R3 545RXT AT, 545FX AT, 545FXT AT
ACCESSORIES

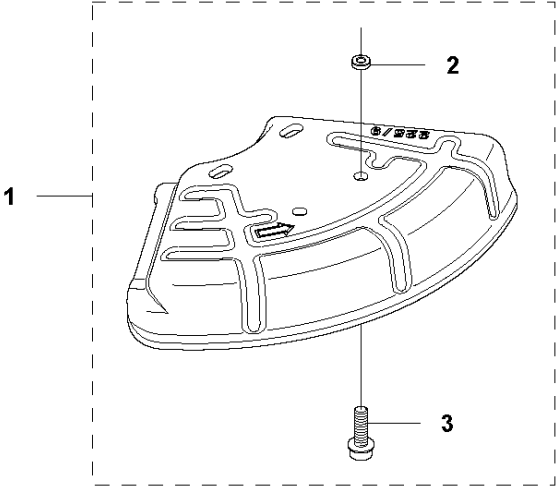


ACCESSORIES

545FX AT, 2017-12

| Ref | Part No | Description | Remark | QTY | KIT |
|-----|--------------|-----------------|--------|-----|-----|
| 1 | 502 15 70-02 | SUPPORT CUP | | 1 | |
| 2 | 544 35 91-01 | TRANSPORT GUARD | | 1 | |
| 3 | 537 31 29-01 | TRANSPORT GUARD | | 1 | |
| 4 | 544 38 02-01 | SUPPORT CUP | | 1 | |
| 5 | 577 04 39-01 | WINTER KIT | | 1 | |
| 6 | 522 55 09-01 | WINTER COVER | | 1 | 5 |
| 7 | 503 21 70-10 | SCREW CCRPANT | | 3 | 5 |
| 8 | 590 07 41-01 | WINTER COVER | | 1 | |
| 9 | 590 08 02-03 | AIR FILTER | | 1 | |

R4 545FX AT, 545FXT AT
ACCESSORIES

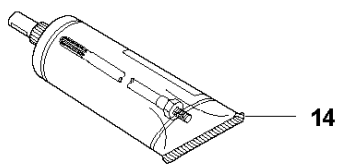
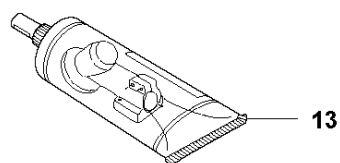
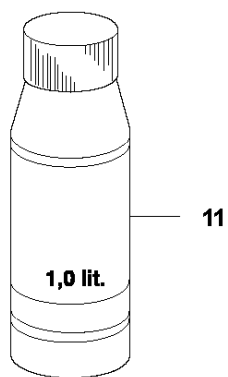
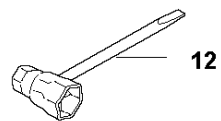
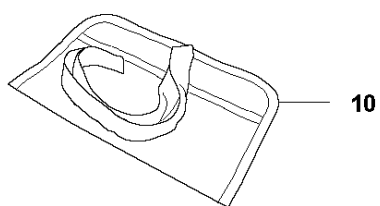
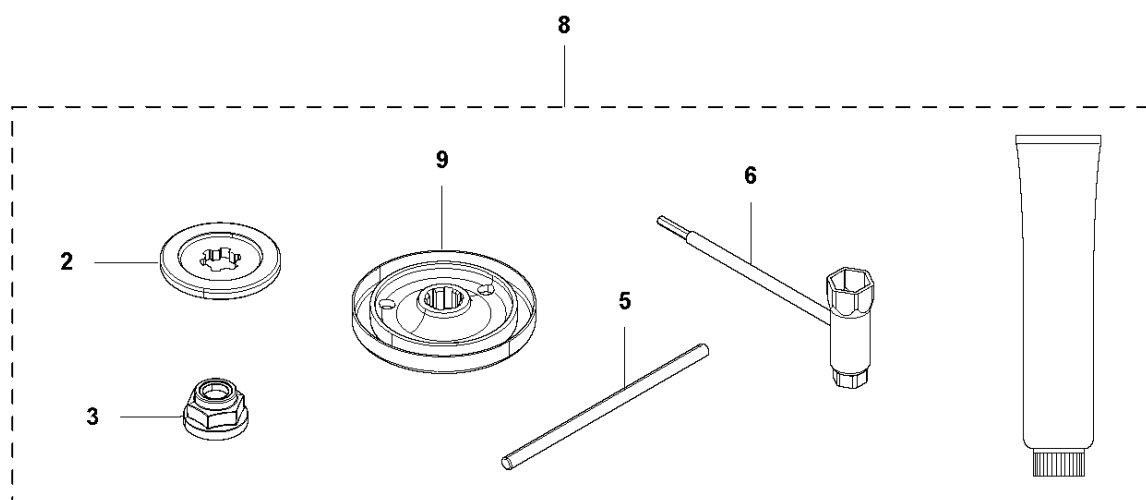
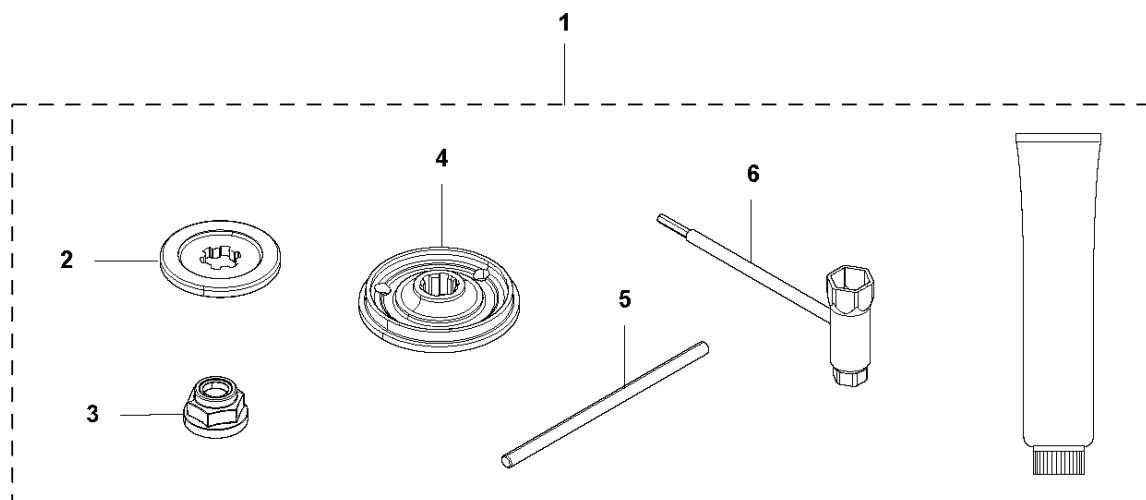


ACCESSORIES

545FX AT, 2017-12

| Ref | Part No | Description | Remark | QTY | KIT |
|-----|--------------|-----------------|--------|-----|-----|
| 1 | 574 50 67-02 | SAW BLADE GUARD | | 1 | |
| 2 | 574 03 95-01 | LOCKING NUT | | 4 | 1 |
| 3 | 503 20 03-16 | SCREW IHSCFM | | 4 | 1 |

R1 545RXT AT, 545FX AT, 545FXT AT
ACCESSORIES

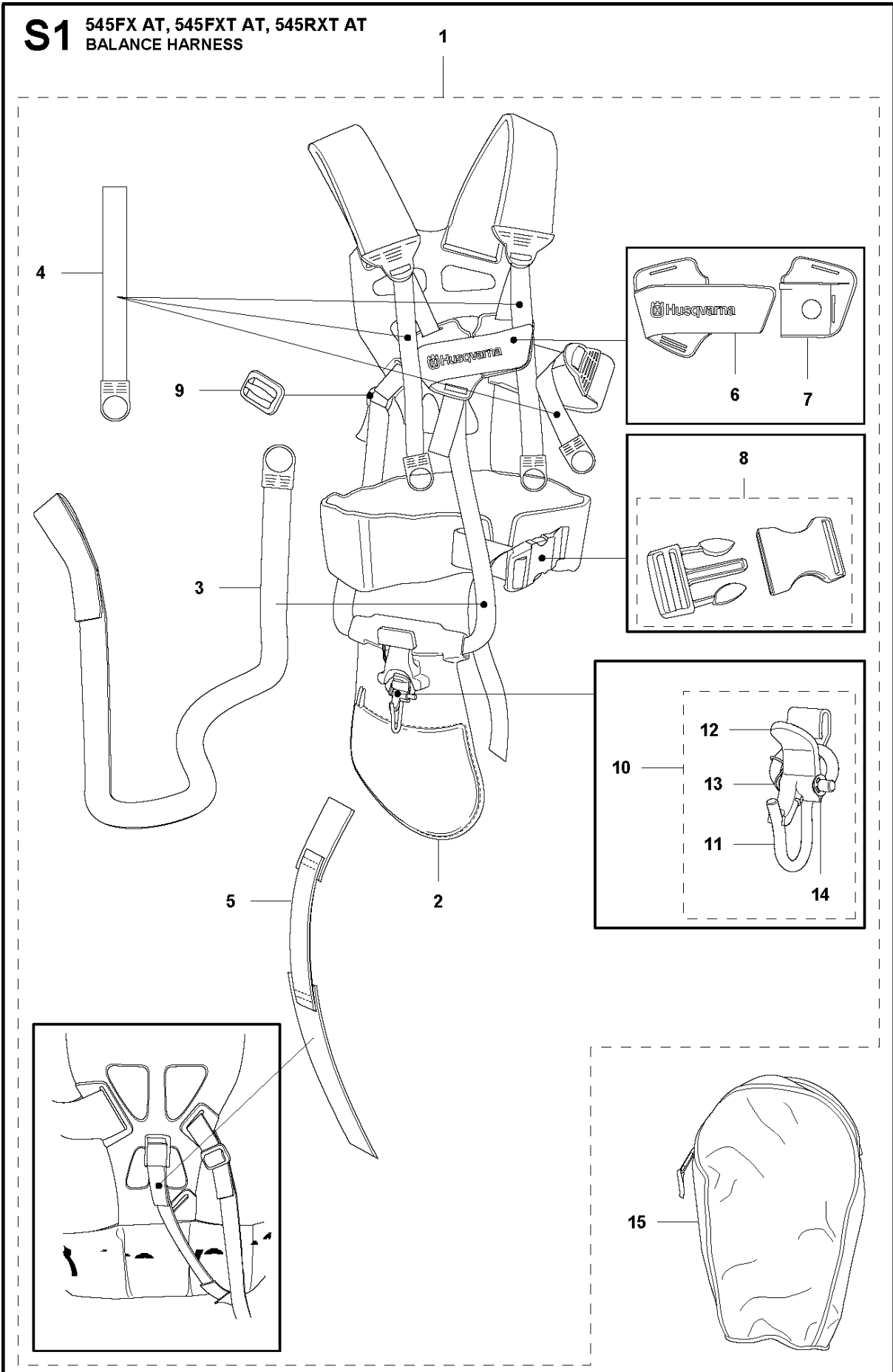


ACCESSORIES

545FX AT, 2017-12

| Ref | Part No | Description | Remark | QTY | KIT |
|-----|--------------|--------------------|--------|-----|-----|
| 1 | 502 21 60-24 | ACCESSORY BAG | | 1 | |
| 2 | 537 34 35-02 | SUPPORT FLANGE | | 1 | 1,8 |
| 3 | 502 29 11-01 | BLADE NUT | | 1 | 1 |
| 4 | 544 19 78-01 | DRIVER | | 1 | 1 |
| 5 | 502 28 59-01 | STOP | | 1 | 1 |
| 6 | 537 36 21-02 | COMBINATION WRENCH | | 1 | 1 |
| 8 | 502 21 60-27 | ACCESSORY BAG | | 1 | |
| 9 | 537 35 14-02 | DRIVER | | 1 | |
| 10 | 501 19 22-01 | TOOL | | 1 | |
| 12 | 501 69 17-02 | COMBINATION WRENCH | | 1 | |
| 11 | 531 00 92-48 | FILTER OIL | | 1 | |
| 13 | 503 97 64-01 | GREASE | | 1 | |
| 14 | 503 80 17-01 | GREASE | | 1 | |

S1 545FX AT, 545FXT AT, 545RXT AT
BALANCE HARNESS

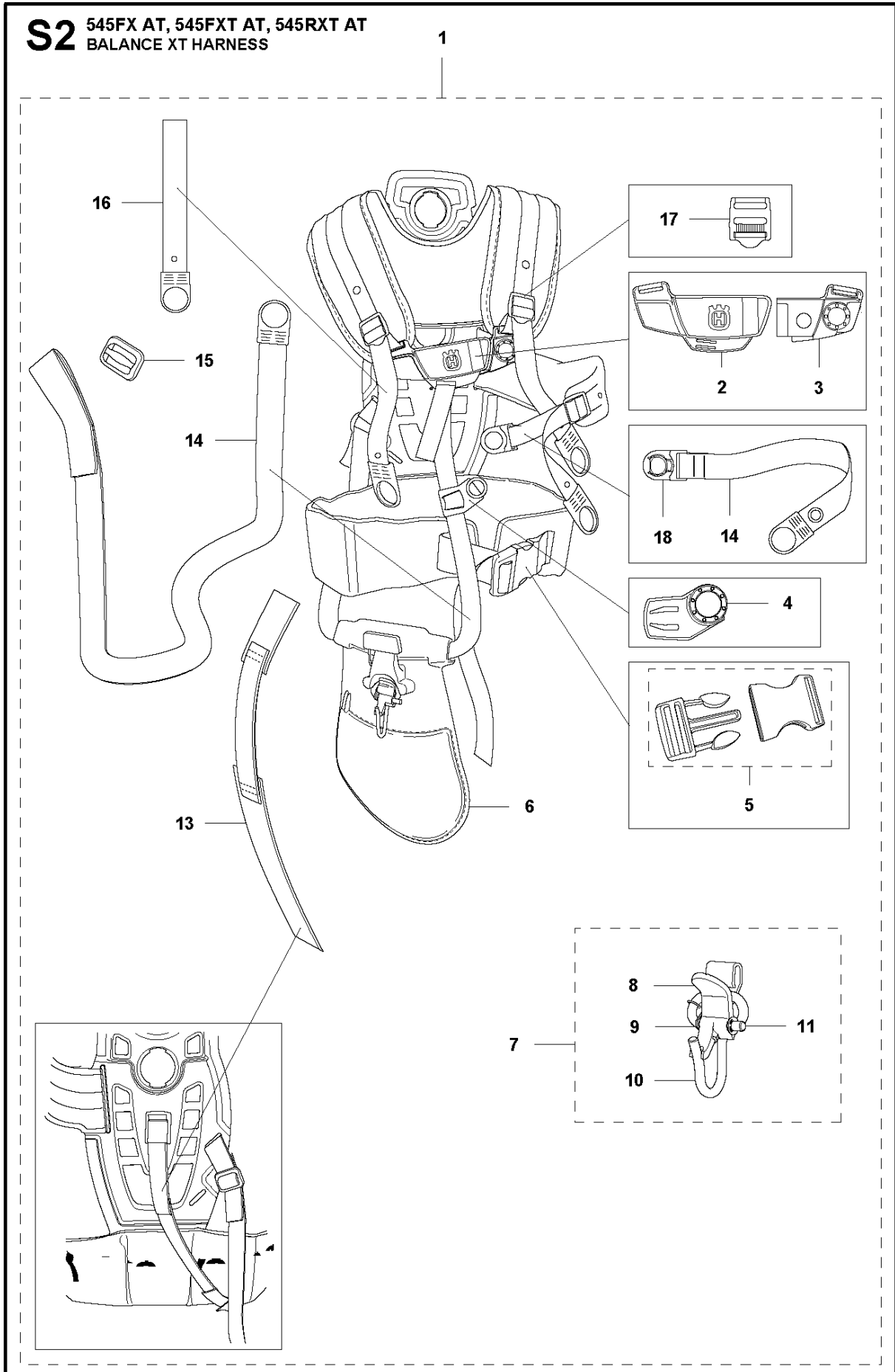


HARNESS

545FX AT, 2017-12

| Ref | Part No | Description | Remark | QTY | KIT |
|-----|--------------|-------------|----------------------|-----|-------|
| 1 | 578 44 97-01 | HARNESS | | 1 | |
| 2 | 544 90 17-01 | HIP PAD | | 1 | 1 |
| 3 | 503 99 61-03 | BAND | | 1 | 1 |
| 4 | 503 99 61-01 | BAND | | 3 | 1 |
| 5 | 537 15 35-01 | STRAP | | 1 | 1 |
| 6 | 537 28 84-01 | FRONT PIECE | | 1 | 1 |
| 7 | 537 28 83-01 | FRONT PIECE | | 1 | 1 |
| 8 | 537 33 15-01 | BUCKLE | | 1 | 1 |
| 9 | 537 28 70-01 | BUCKLE | | 1 | 1 |
| 10 | 544 96 07-02 | WELT HOOK | | 1 | 1 |
| 11 | 502 02 29-02 | HOOK | | 1 | 1, 10 |
| 12 | 502 02 30-02 | LOCK | | 1 | 1, 10 |
| 13 | 586 34 10-01 | SPRING | | 1 | 1, 10 |
| 14 | 735 31 09-20 | E-CLIP | | 1 | 1, 10 |
| 15 | 537 30 66-01 | BAG | Triobalance Tool bag | 1 | |

S2 545FX AT, 545FXT AT, 545RXT AT
BALANCE XT HARNES



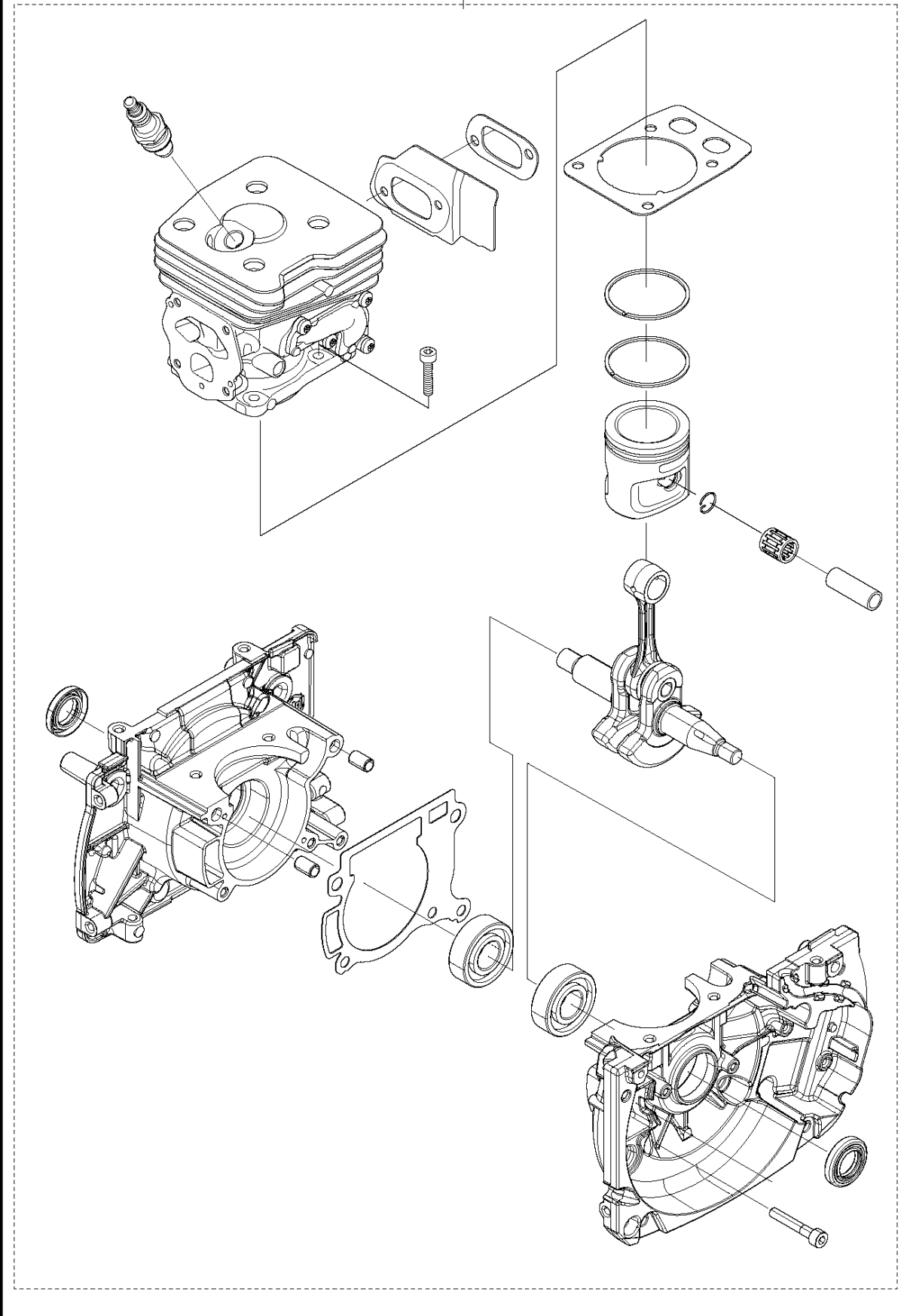
HARNESS

545FX AT, 2017-12

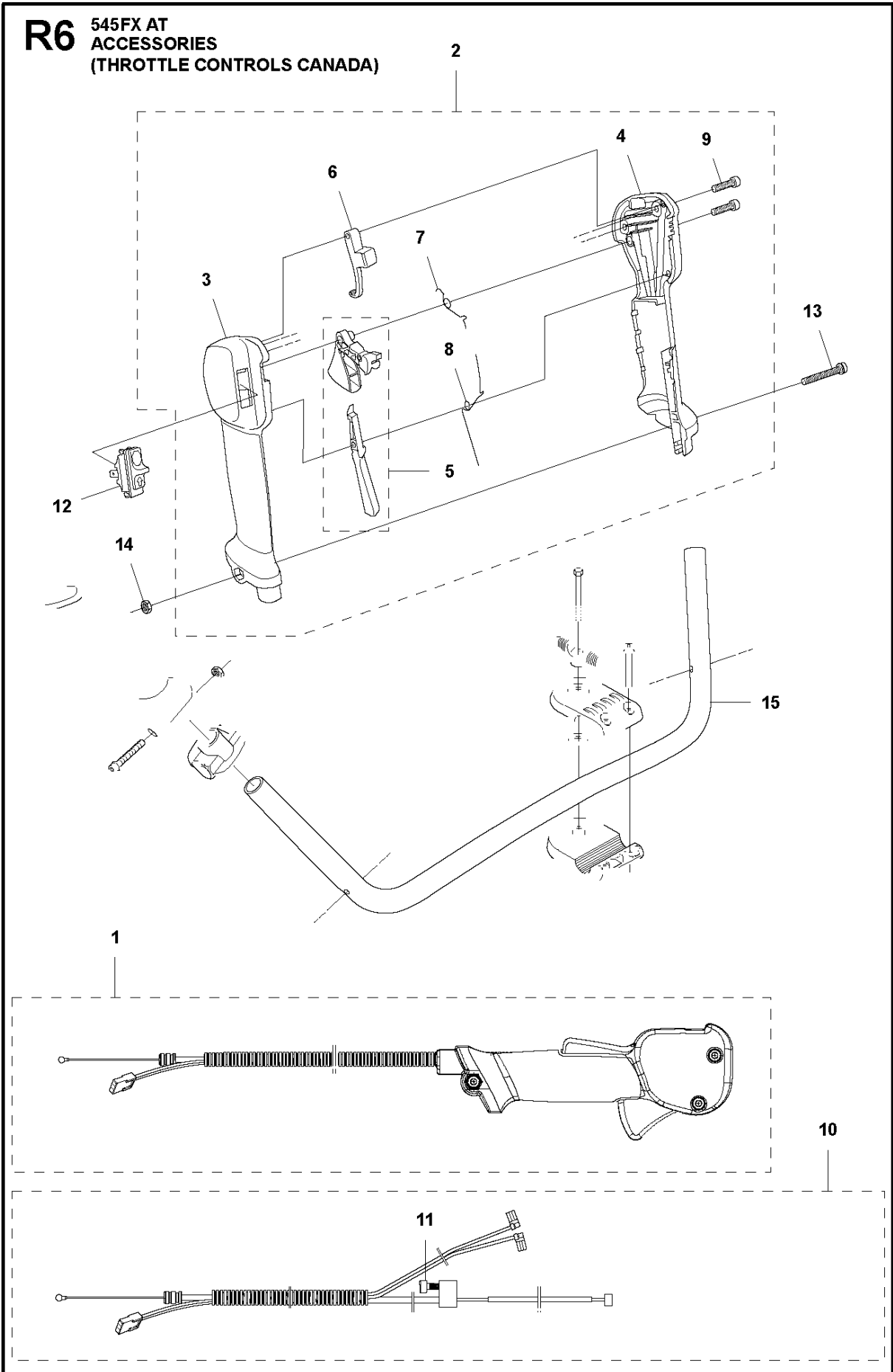
| Ref | Part No | Description | Remark | QTY | KIT |
|-----|--------------|--------------|--------|-----|------|
| 1 | 578 44 98-01 | HARNESS | | 1 | |
| 3 | 504 54 51-01 | BUCKLE | | 3 | 1 |
| 2 | 504 54 52-01 | BUCKLE | | 1 | |
| 4 | 504 63 75-01 | SNAP LOCKING | | 1 | 1 |
| 5 | 537 33 15-01 | BUCKLE | | 1 | 1 |
| 6 | 544 90 17-01 | HIP PAD | | 1 | 1 |
| 7 | 544 96 07-02 | WELT HOOK | | 1 | 1 |
| 8 | 502 02 30-02 | LOCK | | 1 | 1, 7 |
| 9 | 586 34 10-01 | SPRING | | 1 | 1, 7 |
| 10 | 502 02 29-02 | HOOK | | 1 | 1, 7 |
| 11 | 735 31 09-20 | E-CLIP | | 1 | 1, 7 |
| 13 | 537 15 35-01 | STRAP | | 1 | 1 |
| 14 | 503 99 61-04 | BAND | | 1 | 1 |
| 15 | 537 28 70-01 | BUCKLE | | 1 | 1 |
| 16 | 503 99 61-07 | BAND | | 1 | |
| 17 | 505 44 46-01 | BUCKLE | | 1 | |
| 18 | 504 63 74-01 | SNAP LOCKING | | 1 | |

T 545 RXT AT, 545FX AT, 545FXT AT
SHORT BLOCK

1



| Ref | Part No | Description | Remark | QTY KIT |
|-----|--------------|-------------|--------|---------|
| 1 | 590 09 28-01 | SHORT BLOCK | | 1 |



THROTTLE CONTROLS

545FX AT, 2017-12

| Ref | Part No | Description | Remark | QTY KIT | |
|-----|--------------|----------------------|--------------------------------|---------|-------|
| 1 | 577 07 19-06 | THROTTLE HANDLE ASSY | Index finger-operated throttle | 1 | |
| 2 | 504 20 98-04 | THROTTLE HANDLE ASSY | Index finger-operated throttle | 1 | 1 |
| 3 | 537 18 07-11 | HANDLE HALF | | 1 | 1, 2 |
| 4 | 537 18 08-11 | HANDLE HALF | | 1 | 1, 2 |
| 5 | 506 49 77-01 | THROTTLE CONTROL | | 1 | 1, 2 |
| 6 | 585 06 59-01 | BUTTON | | 1 | 1, 2 |
| 7 | 537 17 42-01 | SPRING THROTTLE TRIG | | 1 | 1, 2 |
| 8 | 537 17 43-01 | SPRING | | 1 | 1, 2 |
| 9 | 503 21 66-74 | SCREW IH SCT | | 2 | 1, 2 |
| 10 | 579 25 45-02 | WIRING ASSY | | 1 | 1, 10 |
| 11 | 503 21 66-18 | SCREW IH SCT | | 1 | |
| 12 | 537 41 90-01 | SWITCH | | 1 | |
| 13 | 503 20 07-82 | SCREW IH SCFM | | 1 | |
| 14 | 503 22 10-13 | HEXAGON NUT | | 1 | |
| 15 | 505 43 33-03 | HANDLEBAR | | 1 | |

Illustrated Parts List - IPL Update



Product Name(s)

545FX AT

Description of change

New improved blue filter with better filtration (PA 25/19).

Comments

Fully interchangeable.

Introduced from

| Serial number / Date | Remark |
|-----------------------------|---------------|
| 2018-10 | Air filter |
| | |

IPL updates

| Page title | Ref. no | New part no | Name | Excl. part no. | Remark |
|-------------------|----------------|--------------------|-------------|-----------------------|---------------|
| Accessories | 9 | 590 08 02-03 | Air filter | 590 08 02-01 | |
| | | | | | |