

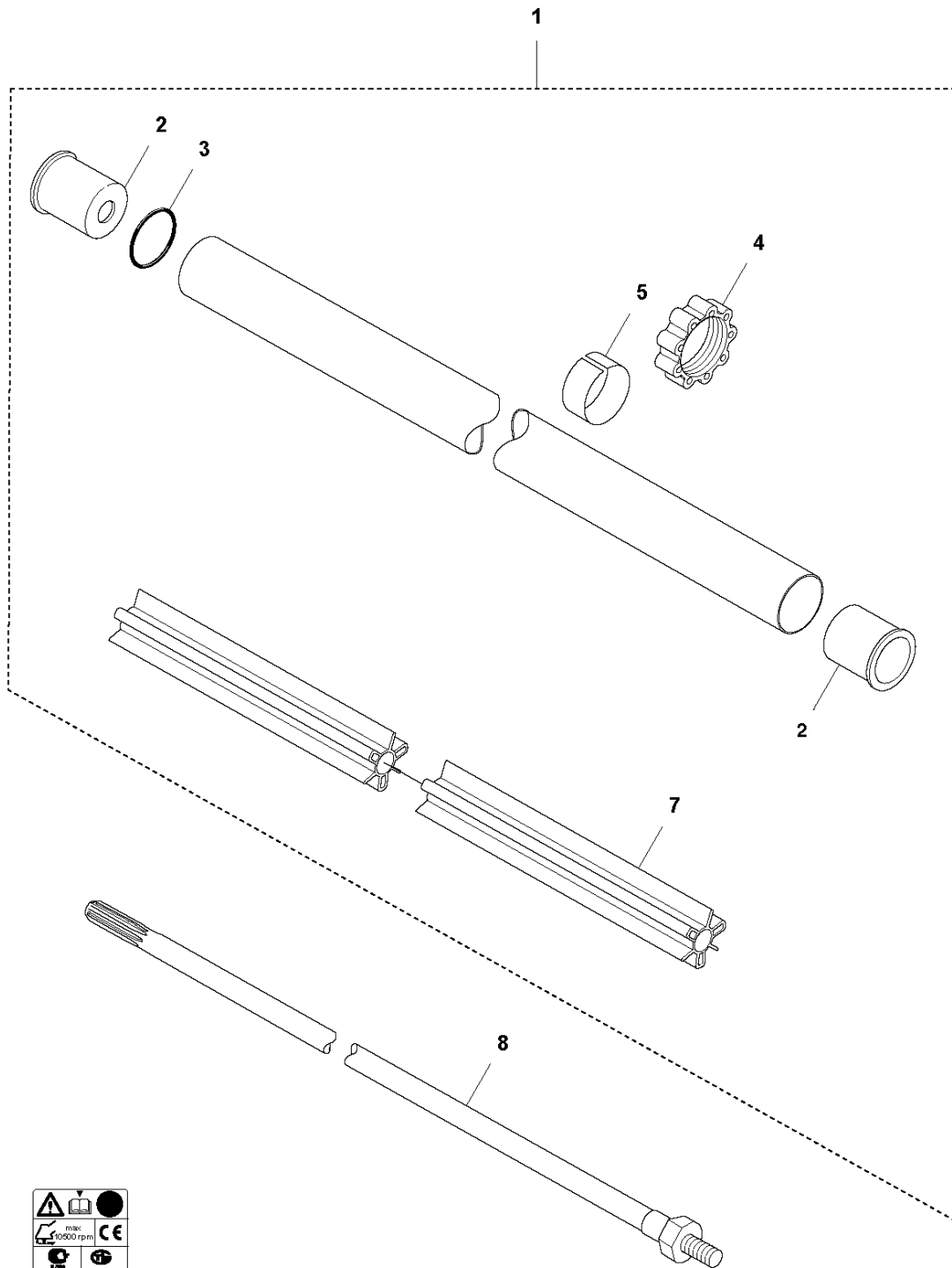


# SPARE PARTS LIST

BRUSHCUTTERS/CLEARING SAWS

545FX AT, 2017-12

**B** 545FX AT, 545FXT AT  
SHAFT



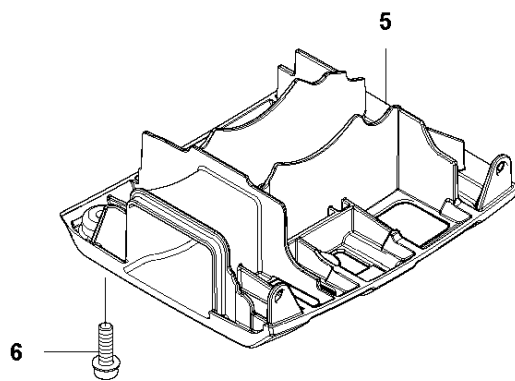
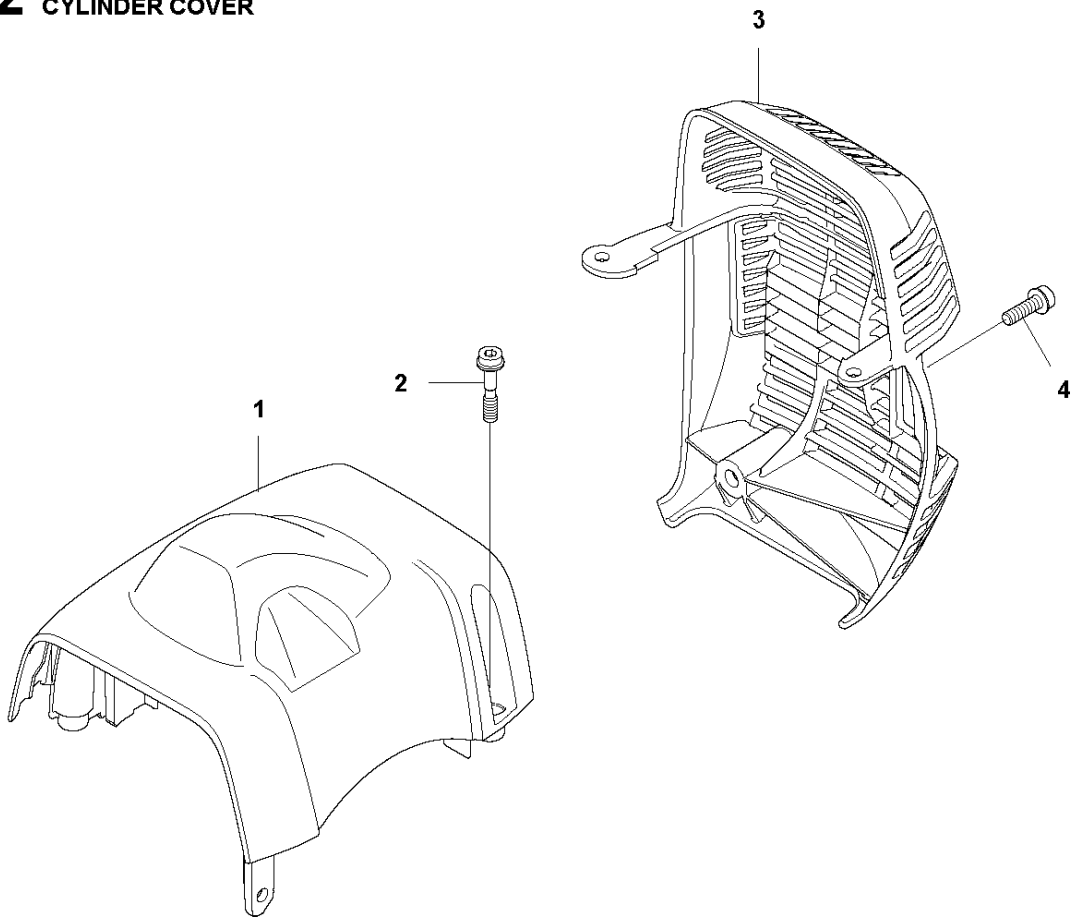
9

SHAFT

545FX AT, 2017-12

Ref	Part No	Description	Remark	QTY	KIT
1	586 26 26-07	TUBE ASSY		1	
2	544 02 94-01	SPACER		2	1
3	506 11 03-01	O-RING		1	1
4	537 30 98-01	ANTIVIBRATION ELEMENT		1	1
5	537 30 97-02	TAPE		1	1
7	523 01 88-01	BEARING SHAFT		1	1
8	503 95 54-01	DRIVE SHAFT		1	
9	589 29 51-01	LABEL		1	

**G2** 545FX AT, 545FXT AT  
CYLINDER COVER



7 — **545 FX**  
AutoTune™

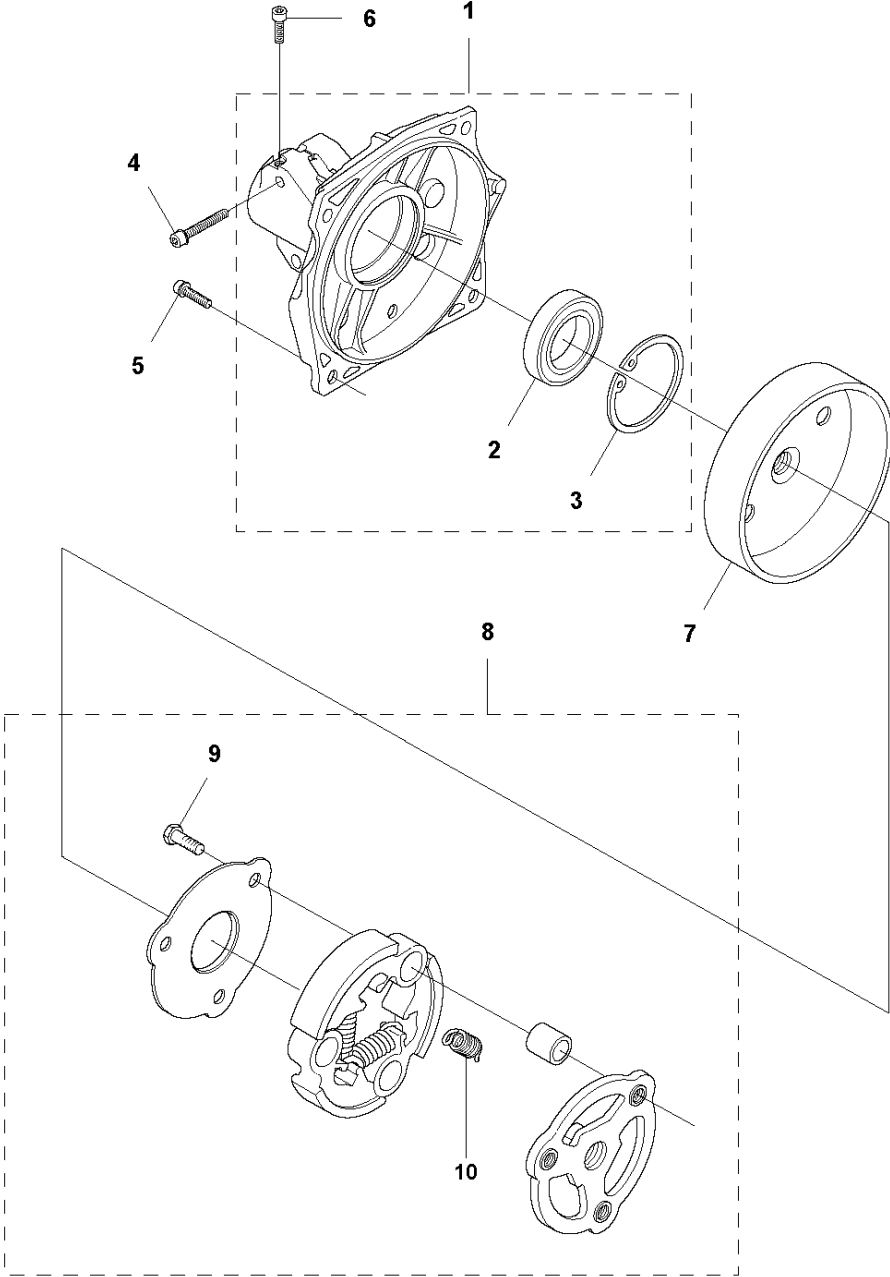
8 — **545 FXT**  
AutoTune™

## CYLINDER COVER

545FX AT, 2017-12

Ref	Part No	Description	Remark	QTY KIT
1	579 45 04-01	CYLINDER COVER		1
2	574 47 70-04	SCREW IHSCFMO		3
3	576 92 00-05	HEAT PROTECTOR		1
4	503 20 07-74	SCREW IHSCFM		1
5	579 81 75-01	SKID PLATE		1
6	503 20 07-74	SCREW IHSCFM		2
7	582 80 54-02	LABEL		1
8	582 80 54-03	LABEL		1

**F** 545RXT AT, 545FX AT, 545FXT AT  
CLUTCH

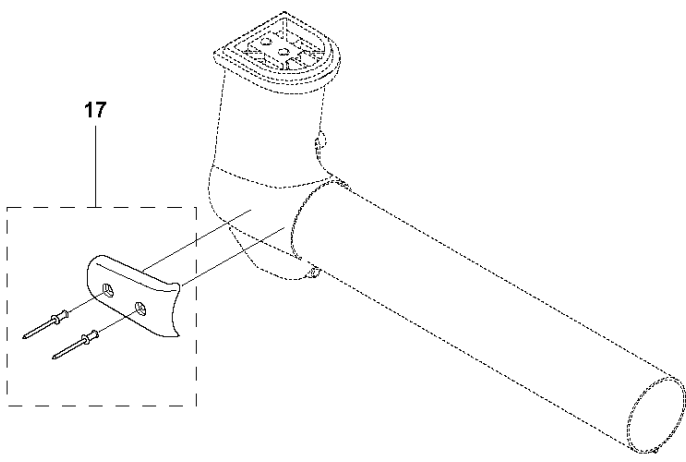
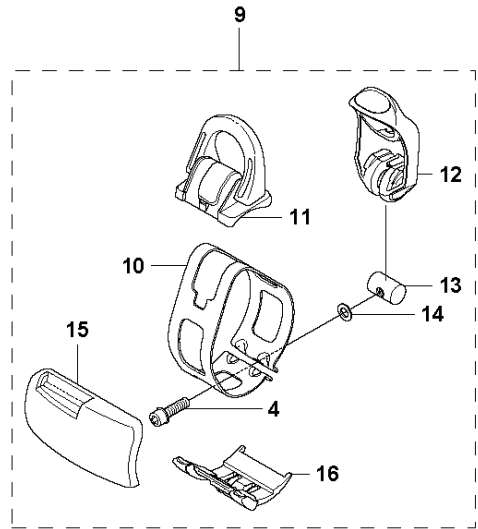
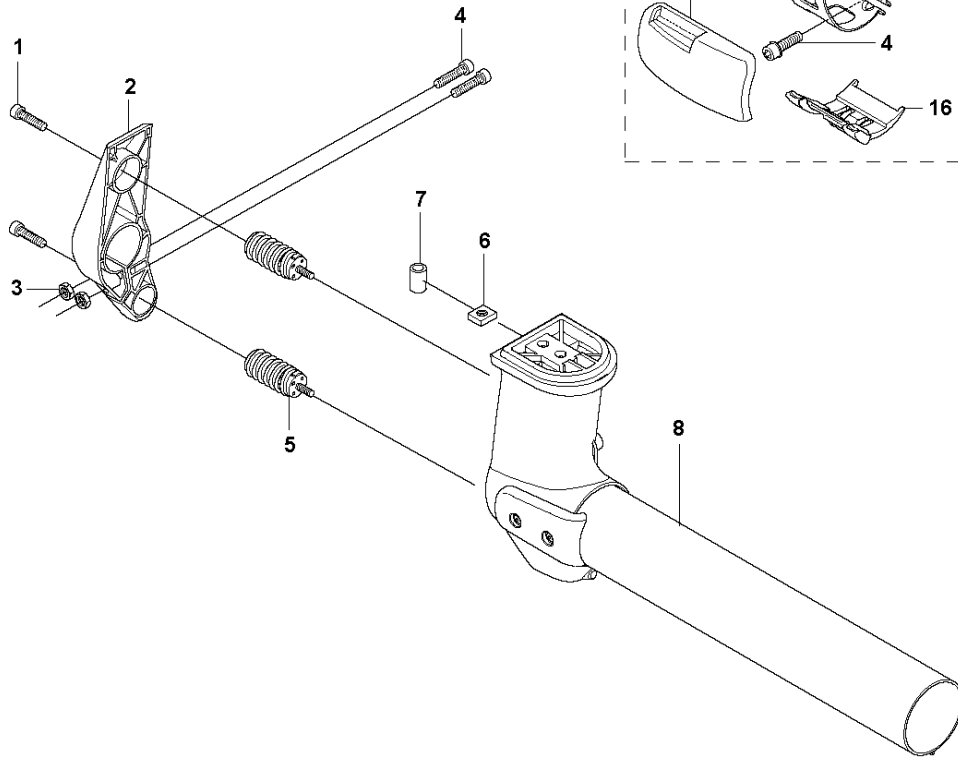


## CLUTCH

545FX AT, 2017-12

Ref	Part No	Description	Remark	QTY KIT	
1	503 95 41-04	CLUTCH COVER		1	
2	738 22 02-19	BALL BEARING		1	1
3	735 31 33-10	CIRCLIP		1	1
4	503 20 02-30	SCREW IHSCFM		2	
5	503 20 02-20	SCREW IHSCFM		4	
6	503 20 20-01	SCREW IHSCM	QTY:1 bag containing 10 screws	1	
7	544 90 07-01	CLUTCH DRUM ASSY		1	
8	594 51 23-01	CLUTCH ASSY		1	
9	503 20 18-02	SCREW EHHM		3	8
10	505 43 53-02	CLUTCH SPRING		3	8

**C2** 545FX AT, 545FXT AT  
SUSPENSION



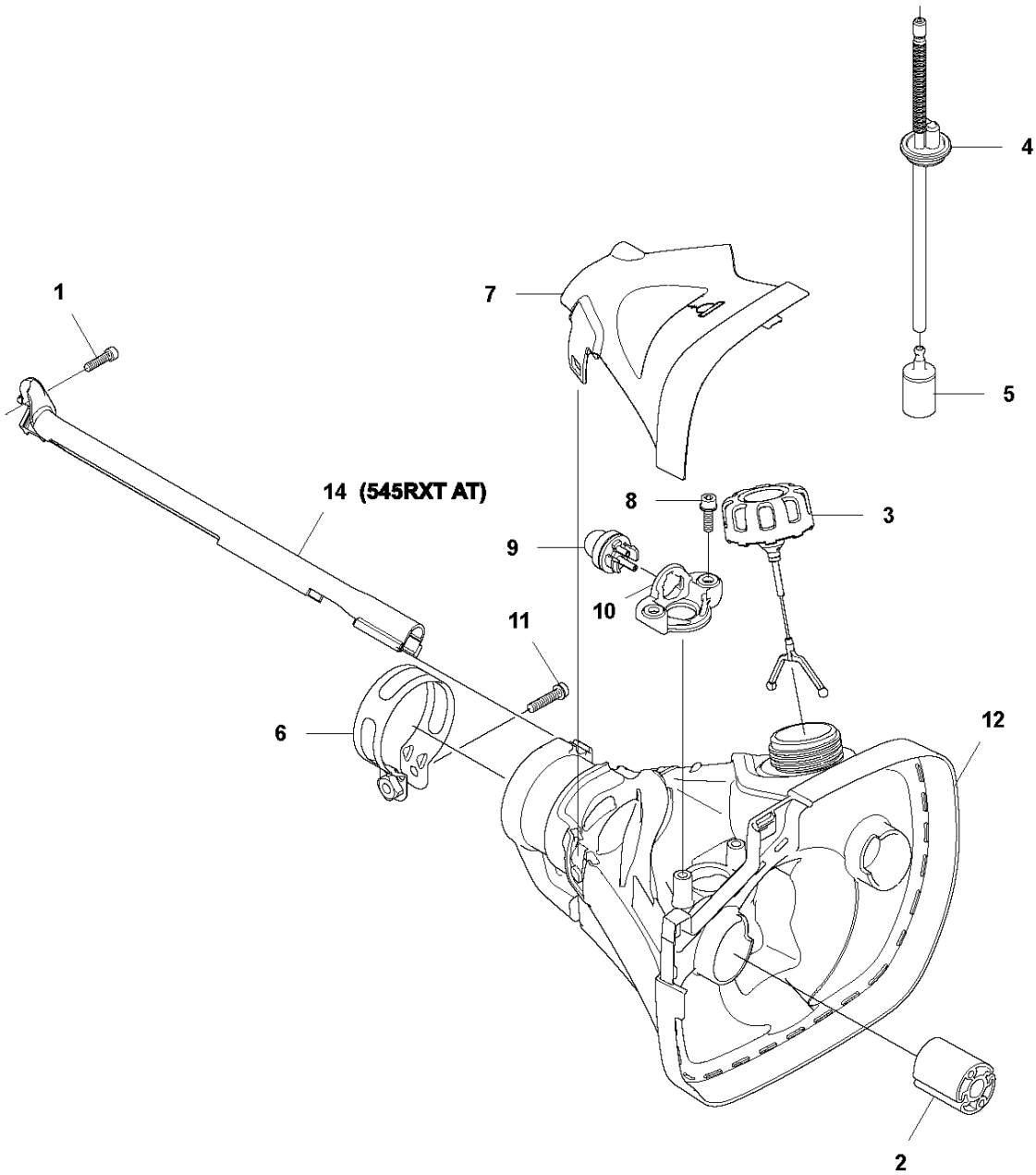


## SUSPENSION

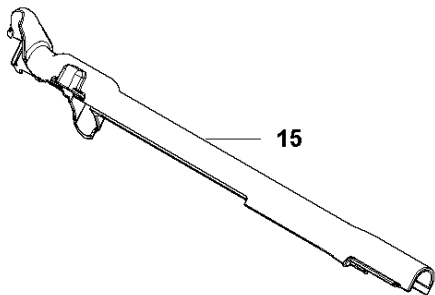
545FX AT, 2017-12

Ref	Part No	Description	Remark	QTY	KIT
1	503 20 03-16	SCREW IHSCFM		2	
2	589 01 58-01	HOLDER		1	
3	503 22 10-12	HEXAGON NUT		2	
4	503 20 02-25	SCREW IHSCFM		2	9
5	588 82 99-01	ANTIVIBRATION ELEMENT		2	
6	502 19 71-01	SQUARE NUT		1	
7	503 85 73-02	COVER		1	
8	581 97 89-01	SUSPENSION		1	
9	577 37 57-01	LOOP		1	
10	537 19 79-01	BAND		1	9
11	537 20 18-03	LOOP		1	9
12	577 20 83-01	LEVER		1	9
13	537 42 73-01	NUT		1	9
14	503 23 00-11	WASHER	One bag containing 10 pcs	1	9
15	544 25 07-01	WEAR PROTECTION		1	9
16	577 29 93-01	GUIDE RAIL		1	9
17	586 20 27-01	WEAR PROTECTION		1	

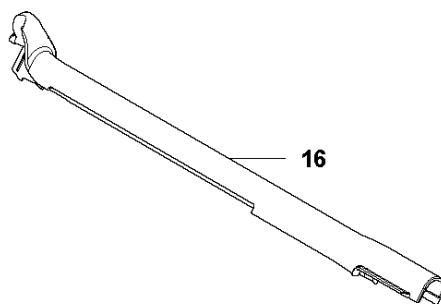
**E** 545RXT AT, 545FX AT, 545FXT AT  
FUEL TANK



**545FXT AT**



**545FX AT**

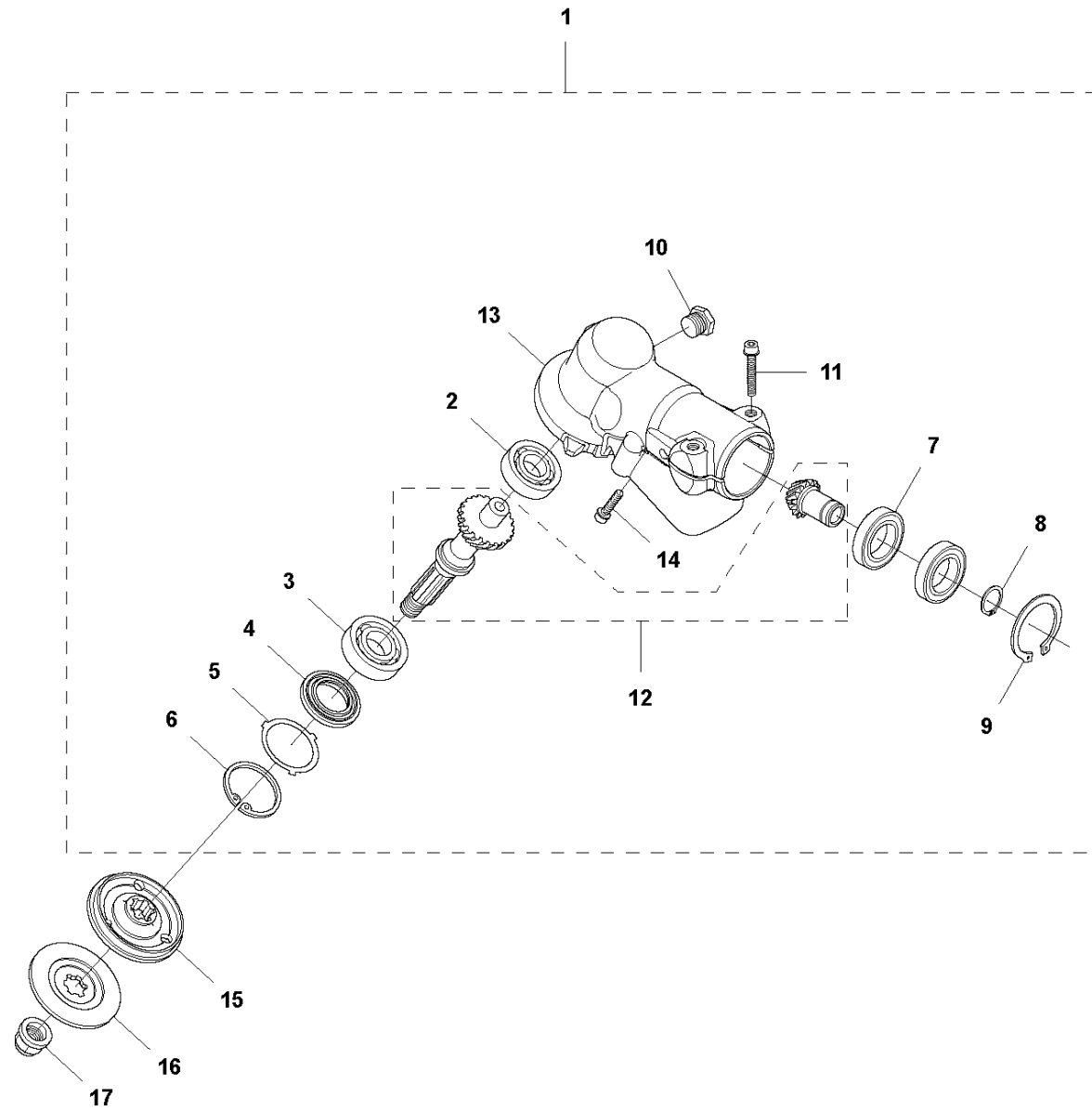


## FUEL TANK

545FX AT, 2017-12

Ref	Part No	Description	Remark	QTY KIT
1	503 20 02-16	SCREW IHSCFM		1
2	510 20 87-01	ANTIVIBRATION ELEMENT		1
3	504 11 32-01	TANK CAP		1
4	544 21 54-01	FUEL HOSE		1
5	503 44 32-01	FUEL FILTER		1
6	581 84 89-01	CLAMP		1
7	580 77 10-01	COVER LID		1
8	503 21 75-16	SCREW IHSCFT		2
9	503 93 66-01	PURGE		1
10	544 21 53-01	BRACKET		1
11	503 20 03-02	SCREW IHSCFM		1
12	580 77 08-01	FUEL TANK ASSY		1
14	537 17 25-01	COVER	RXT AT	1
15	584 14 81-01	WIRING PROTECTION	FXT AT	1
16	537 17 25-02	COVER	FX AT	1

**A2** 545FX AT, 545FXT AT  
BEVEL GEAR

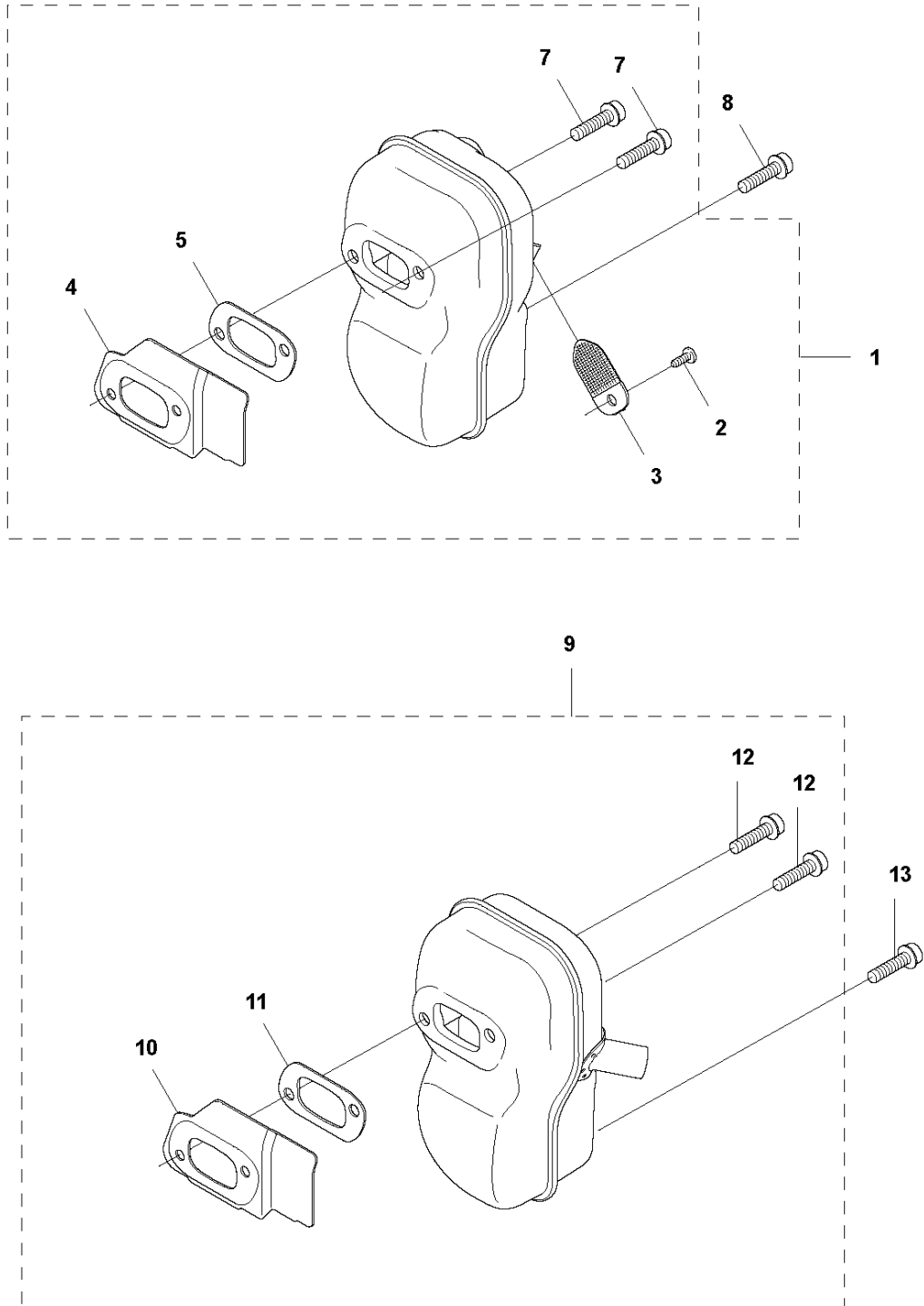


## BEVEL GEAR

545FX AT, 2017-12

Ref	Part No	Description	Remark	QTY	KIT
1	588 16 33-01	GEAR ASSY		1	
2	738 21 01-10	BALL BEARING		1	1
3	503 25 08-01	BEARING		1	1
4	503 26 17-01	SEALING		1	1
5	503 75 89-01	COVER WASHER		1	1
6	735 31 33-10	CIRCLIP		1	1
7	738 21 87-12	BALL BEARING		2	1
8	735 31 17-00	CIRCLIP		1	1
9	735 31 31-10	CIRCLIP		1	1
10	503 20 15-01	SCREW		1	1
11	503 20 02-25	SCREW IHSCFM		2	1
12	587 97 76-01	GEAR		1	1
13	502 29 79-01	GEAR HOUSING		1	1
14	503 20 03-16	SCREW IHSCFM		4	1
15	544 19 78-01	DRIVER		1	
16	537 34 35-02	SUPPORT FLANGE		1	
17	502 29 11-01	BLADE NUT		1	

**H1** 545RXT AT, 545FX AT  
MUFFLER

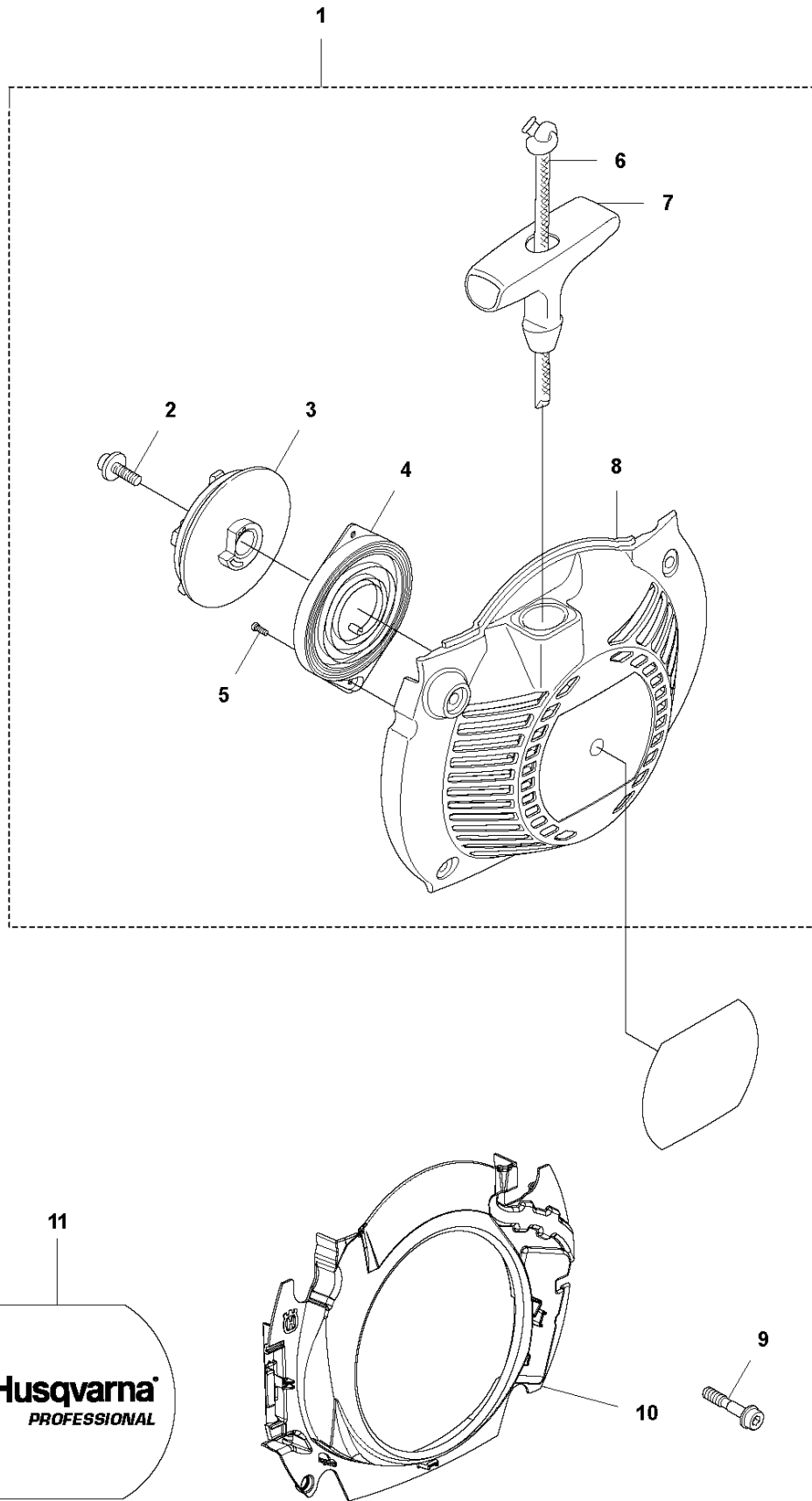


## MUFFLER

545FX AT, 2017-12

Ref	Part No	Description	Remark	QTY KIT	
1	574 38 11-06	MUFFLER KIT	FF	1	
2	724 12 87-59	SCREW CRPANM		1	1
3	522 60 95-01	SPARK ARRESTER SCREEN		1	1
4	522 93 87-01	HEAT DEFLECTOR		3	1
5	522 95 44-01	GASKET		1	1
7	503 20 07-76	SCREW IHSCFM		2	1
8	503 20 07-76	SCREW IHSCFM		1	
9	574 38 11-05	MUFFLER KIT	PIPE	1	
10	522 93 87-01	HEAT DEFLECTOR		1	9
11	522 95 44-01	GASKET		1	9
12	503 20 07-76	SCREW IHSCFM		2	9
13	503 20 07-76	SCREW IHSCFM		1	

**K** 545RXT AT, 545FX AT, 545FXT AT  
STARTER

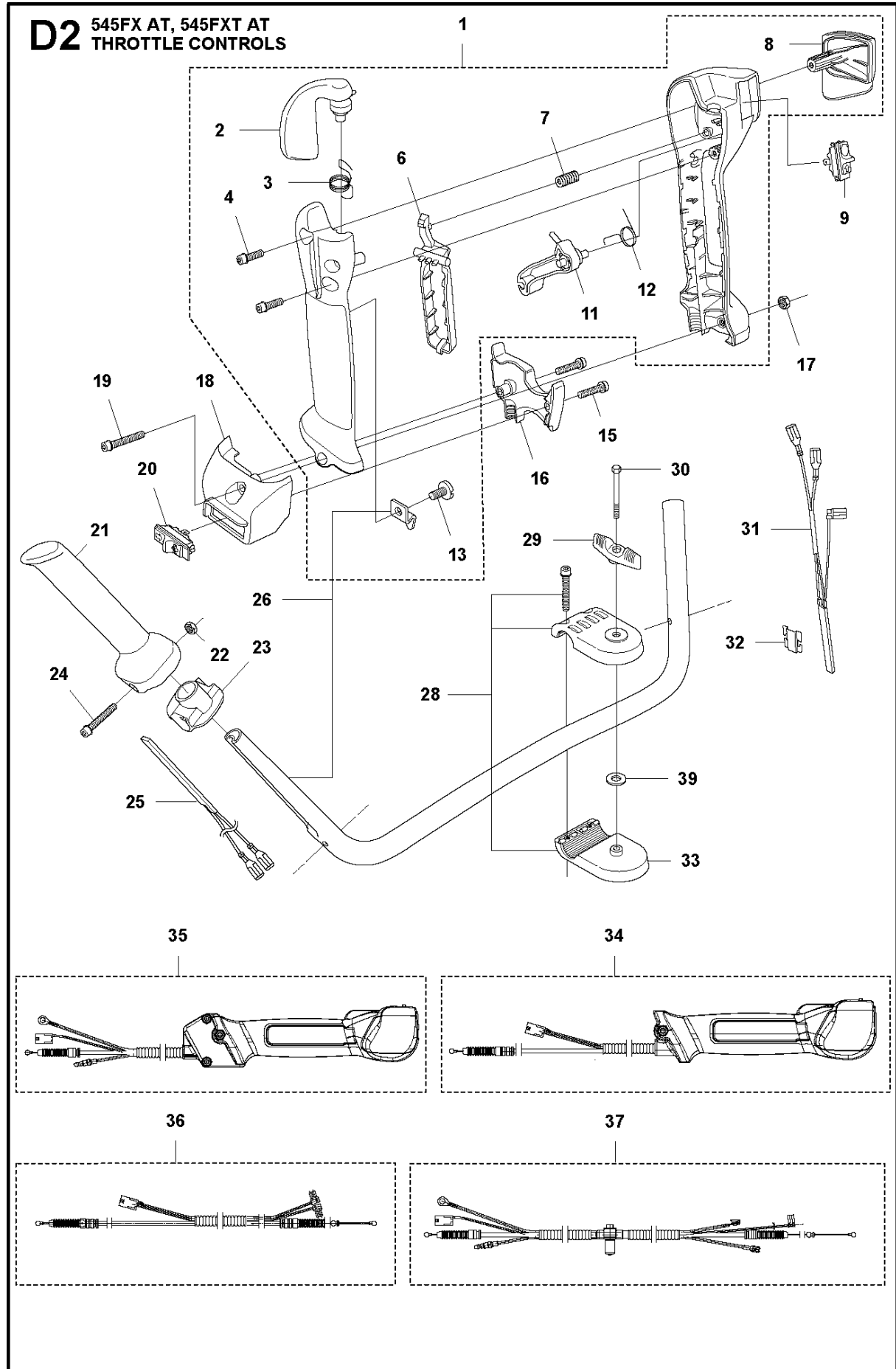




## STARTER

545FX AT, 2017-12

Ref	Part No	Description	Remark	QTY	KIT
1	573 96 08-01	STARTER		1	
2	503 21 69-16	SCREW IHSC T		1	1
3	503 95 73-01	STARTER PULLEY		1	1
4	502 20 06-01	SPRING CASSETTE ASSY		1	1
5	503 21 29-10	SCREW CCRPANT		2	1
6	505 30 51-25	STARTER CORD		1	1
7	537 23 25-01	STARTER HANDLE		1	1
8	502 15 77-01	STARTER ASSY		1	1
9	574 47 70-04	SCREW IHSCFMO	Captive Screw	4	
10	579 43 47-01	COOLING AIR CONDUCTOR		1	
11	576 46 81-02	LABEL		1	

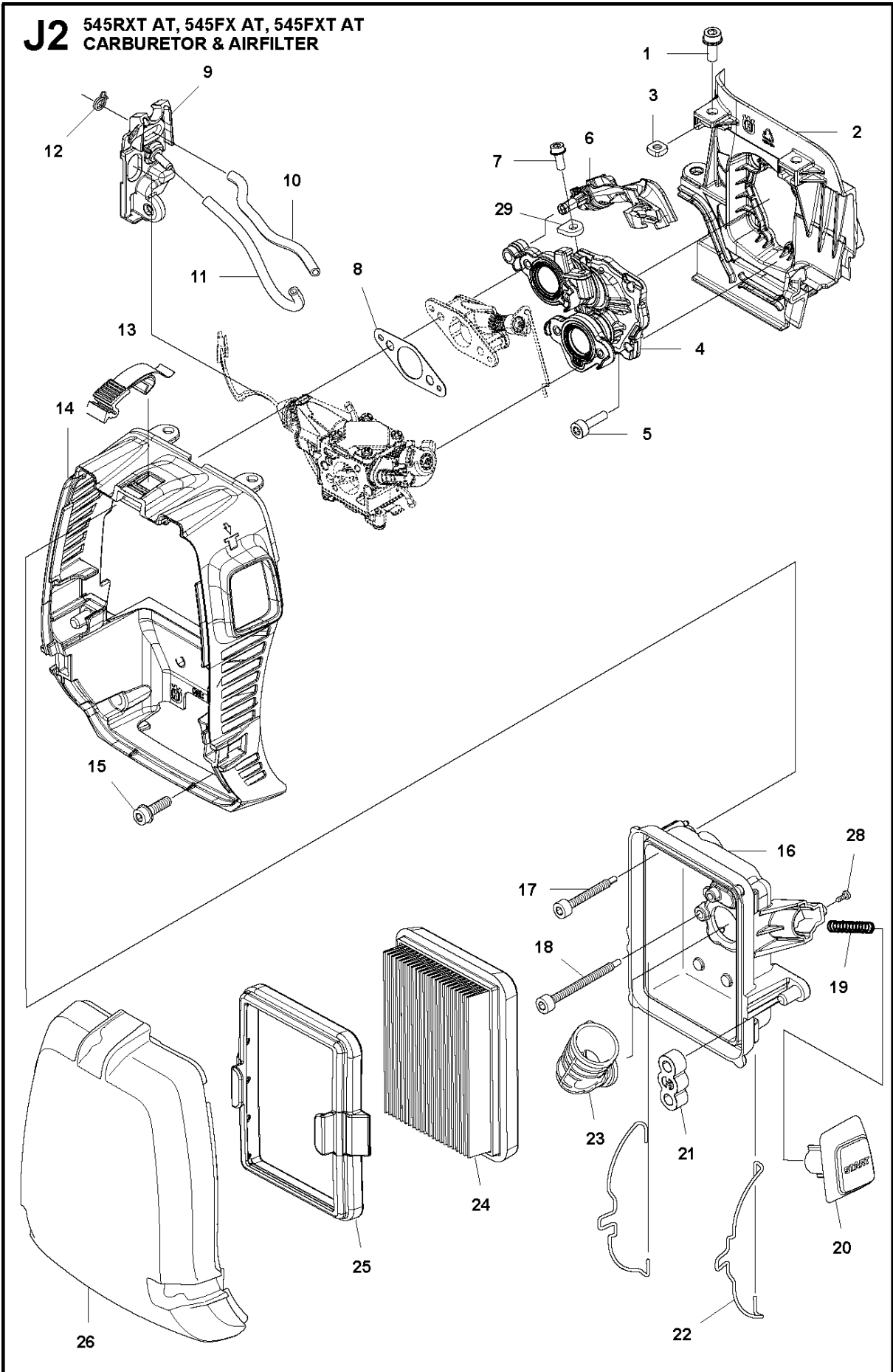


## THROTTLE CONTROLS

545FX AT, 2017-12

Ref	Part No	Description	Remark	QTY	KIT
1	537 19 72-13	THROTTLE HANDLE	Thumb-operated throttle	1	34, 35
2	537 26 34-01	THROTTLE TRIGGER		1	1, 34, 35
3	537 35 32-01	SPRING		1	1, 34, 35
4	503 21 75-20	SCREW IHSCFT		2	1, 34, 35
6	537 15 56-01	THROTTLE LOCKOUT		1	1, 34, 35
7	537 19 97-01	SPRING		1	1, 34, 35
8	537 18 24-01	COVER		1	1, 34, 35
9	537 41 90-01	SWITCH		1	34, 35
11	537 26 35-01	THROTTLE LEVER		1	1, 34, 35
12	537 34 27-01	SPRING		1	1, 34, 35
13	503 21 70-10	SCREW CCRPANT		1	1, 34, 35
15	503 21 66-74	SCREW IHSCFT	FXT AT	2	35
16	537 20 16-01	RETAINER	FXT AT	1	35
17	731 23 14-05	HEXAGON NUT		1	
18	537 20 15-01	RETAINER	FXT AT	1	35
19	503 20 07-82	SCREW IHSCFM	FX AT	1	
19	503 20 07-84	SCREW IHSCFM	FXT AT	1	35
20	503 71 82-02	SWITCH	FXT AT	1	35
21	537 17 28-05	HANDLE		1	
22	731 23 14-05	HEXAGON NUT		1	
23	537 17 29-02	BRACKET		1	
24	503 20 02-45	SCREW IHSCFM		1	
25	537 22 72-01	ELEMENT	FXT AT	1	35
26	525 88 20-01	KIT	FX AT	1	
26	525 88 20-02	KIT	FXT AT	1	
28	595 30 36-01	HANDLEBAR BRACKET	s/n from 20173300001 up to 20181100180	1	
28	596 28 33-01	HANDLEBAR BRACKET		1	
29	502 20 38-01	KNOB		1	
30	725 23 83-81	SCREW EHHM		1	
31	537 22 71-01	ELEMENT	FXT AT	1	35
32	537 26 51-01	SECURING PLATE	FXT AT	2	35
33	537 12 91-01	HANDLE BRACKET		1	
34	589 93 41-01	THROTTLE HANDLE ASSY	FX AT, Thumb-operated throttle	1	
35	589 93 41-02	THROTTLE HANDLE ASSY	FXT AT, Thumb-operated throttle	1	
36	579 25 48-01	WIRING ASSY	FX AT	1	34
37	579 25 48-02	WIRING ASSY	FXT AT	1	35
39	502 28 21-01	WASHER		1	

**J2** 545RXT AT, 545FX AT, 545FXT AT  
CARBURETOR & AIRFILTER

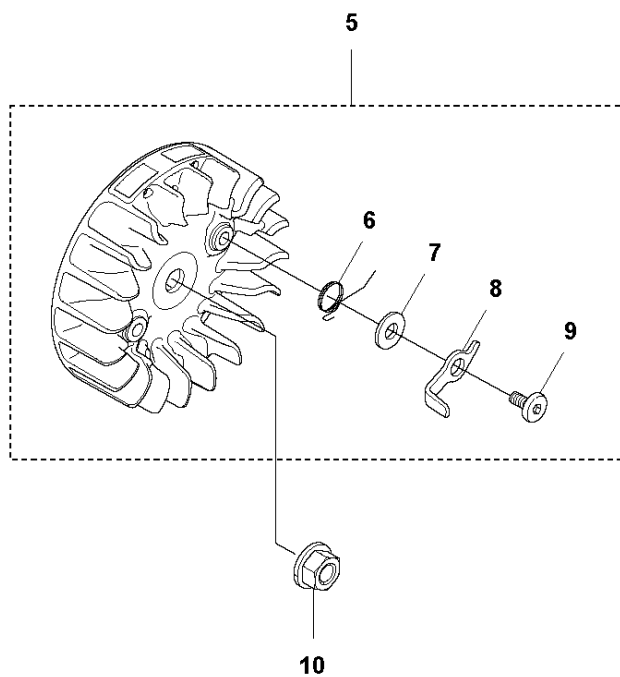
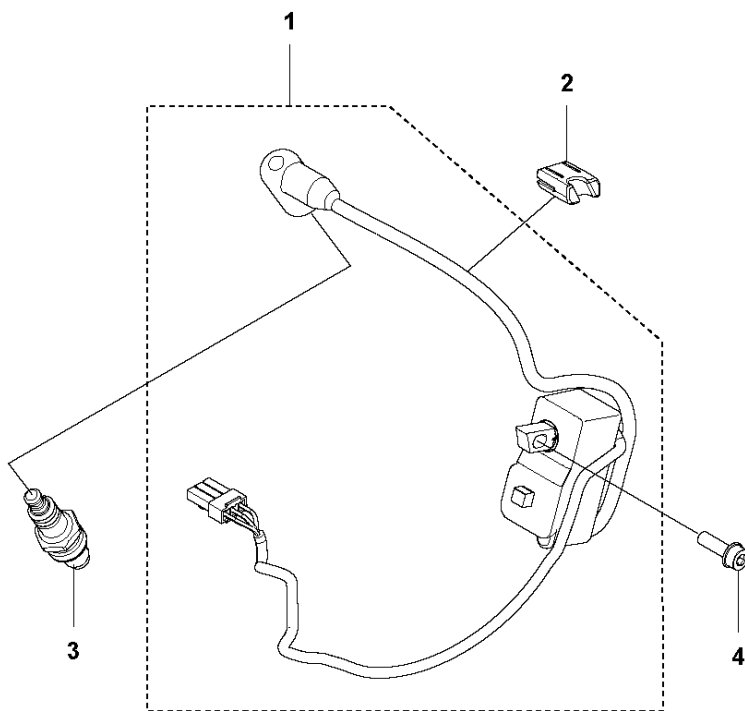


## CARBURETOR &amp; AIR FILTER

545FX AT, 2017-12

Ref	Part No	Description	Remark	QTY	KIT
1	503 20 07-12	SCREW IHSCFM		2	
2	579 43 55-01	INSULATION WALL		1	
3	503 22 65-04	SQUARE NUT		2	2
4	580 83 28-02	INLET PIPE ASSY		1	
5	503 20 25-16	SCREW IHSCM		4	
6	579 48 06-01	WIRE HOLDER		1	
7	503 20 20-08	SCREW IHSCM		1	
8	501 16 93-01	GASKET		1	
9	579 48 09-01	GROMMET		1	
10	537 04 24-03	FUEL HOSE		1	
11	581 75 61-18	FUEL HOSE		1	
12	502 63 55-01	HOSE CLAMP		1	
13	503 74 01-02	SNAP LOCKING		3	14
14	579 45 03-01	FRAME ASSY		1	
15	503 20 07-74	SCREW IHSCFM		2	
16	579 48 26-01	HOLDER		1	
17	583 93 73-02	SCREW IHSCM		2	
18	583 93 73-01	SCREW IHSCM		2	
19	582 08 75-01	SPRING		1	
20	581 86 50-01	START BUTTON		1	
21	580 80 23-01	SUPPORT		2	
22	579 48 49-01	SHACKLE		2	
23	579 48 32-01	AIR INTAKE		1	
24	588 95 66-01	AIR FILTER		1	
25	501 18 68-01	FRAME		1	
26	579 45 24-01	PROTECTIVE COVER		1	
28	724 12 22-01	SCREW CRPANM		1	
29	574 40 44-01	LOCKING NUT		1	

**L1** 545RXT AT, 545FX AT  
IGNITION SYSTEM

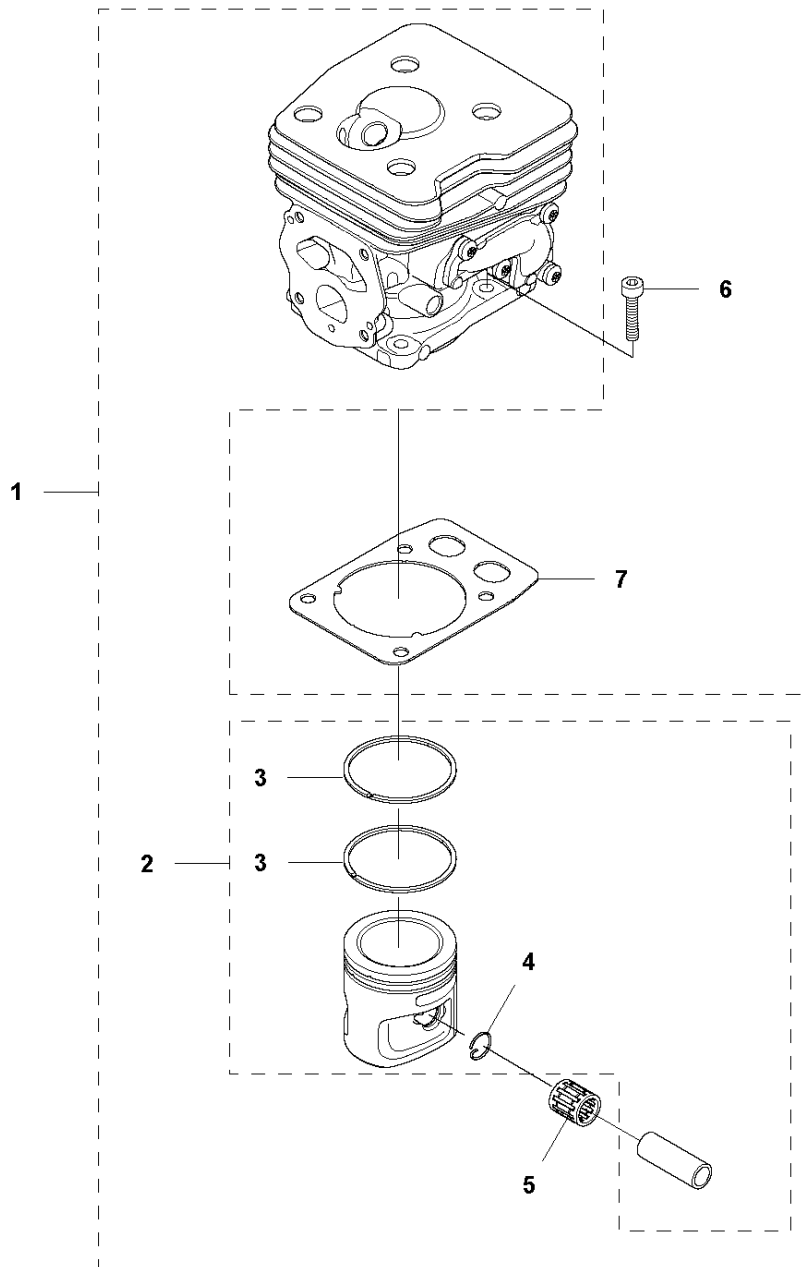


## IGNITION SYSTEM

545FX AT, 2017-12

Ref	Part No	Description	Remark	QTY KIT	
1	582 72 33-01	IGNITION MODULE ASSY		1	
2	593 24 70-01	CABLE GUIDE		1	
3	574 51 96-01	SPARK PLUG		1	
4	503 20 07-74	SCREW IHSCFM		2	
5	578 12 63-01	FLYWHEEL ASSY		1	
6	503 81 29-02	SPRING		2	5
7	503 23 00-42	WASHER		2	5
8	503 81 24-01	STARTER PAWL		2	5
9	501 81 99-03	SCREW		2	5
10	503 22 04-01	NUT		1	

**M** 545RXT AT, 545FX AT, 545FXT AT  
CYLINDER & PISTON



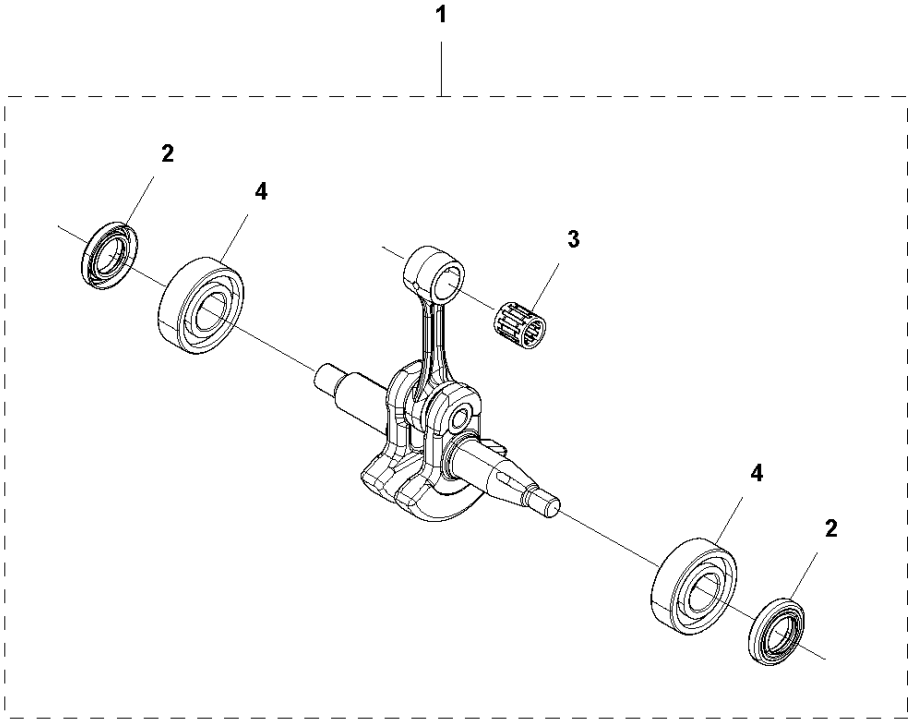


CYLINDER PISTON

545FX AT, 2017-12

Ref	Part No	Description	Remark	QTY	KIT
1	577 27 49-03	CYLINDER KIT		1	
2	576 28 27-02	PISTON ASSY		1	1
3	576 28 30-01	PISTON RING		2	1, 2
4	737 44 10-00	SNAP RING		1	1, 2
5	503 25 63-01	NEEDLE BEARING		1	1
6	725 53 33-55	SCREW IHSCM		4	
7	587 15 34-01	GASKET		1	

**N** 545RXT AT, 545FX AT, 545FXT AT  
CRANK SHAFT

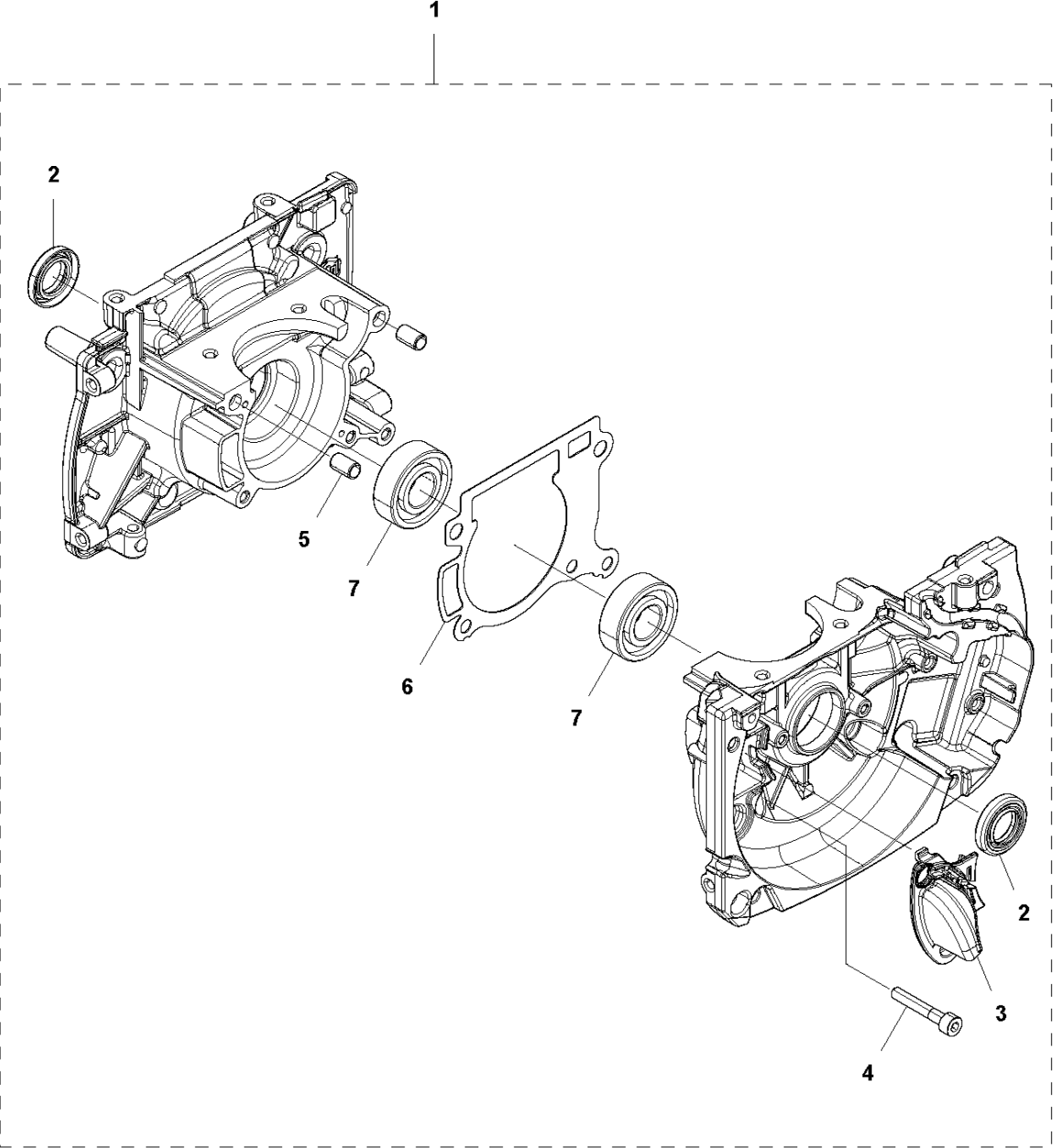


CRANKSHAFT

545FX AT, 2017-12

Ref	Part No	Description	Remark	QTY KIT	
1	577 27 48-02	CRANKSHAFT KIT		1	
2	589 21 03-01	RADIAL SEAL		2	1
3	503 25 63-01	NEEDLE BEARING		1	1
4	503 25 08-01	BEARING		2	1

**P** 545RXT AT, 545FX AT, 545FXT AT  
CRANKCASE

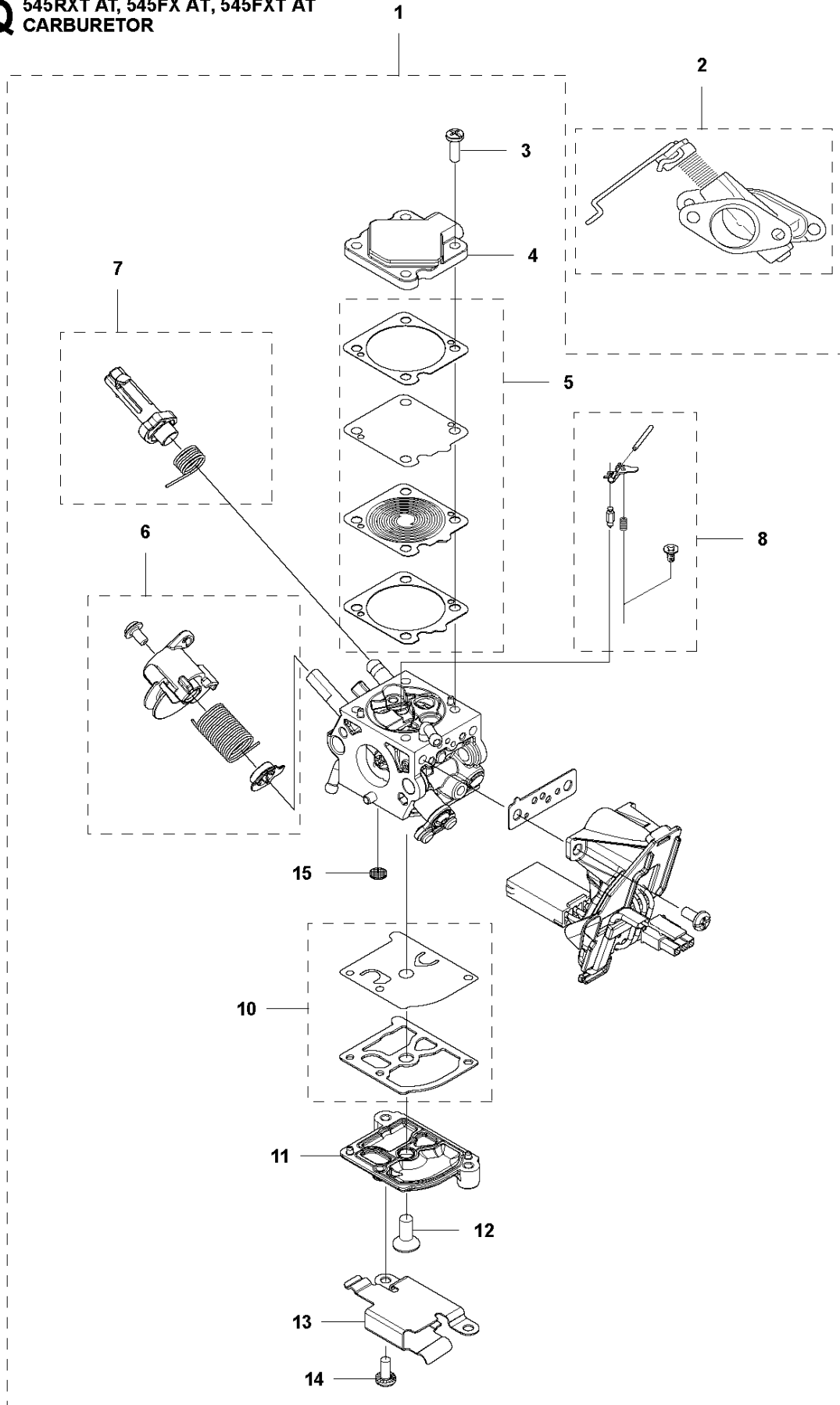


## CRANKCASE

545FX AT, 2017-12

Ref	Part No	Description	Remark	QTY	KIT
1	589 77 26-01	CRANKCASE KIT		1	
2	589 21 03-01	RADIAL SEAL		2	1
3	579 48 89-01	NOZZLE		1	1
4	503 20 02-30	SCREW IHSCFM		5	1
5	593 80 60-01	GUIDE BUSHING		2	1
6	593 77 75-01	GASKET		1	1
7	503 25 08-01	BEARING		2	1

**Q** 545RXT AT, 545FX AT, 545FXT AT  
CARBURETOR

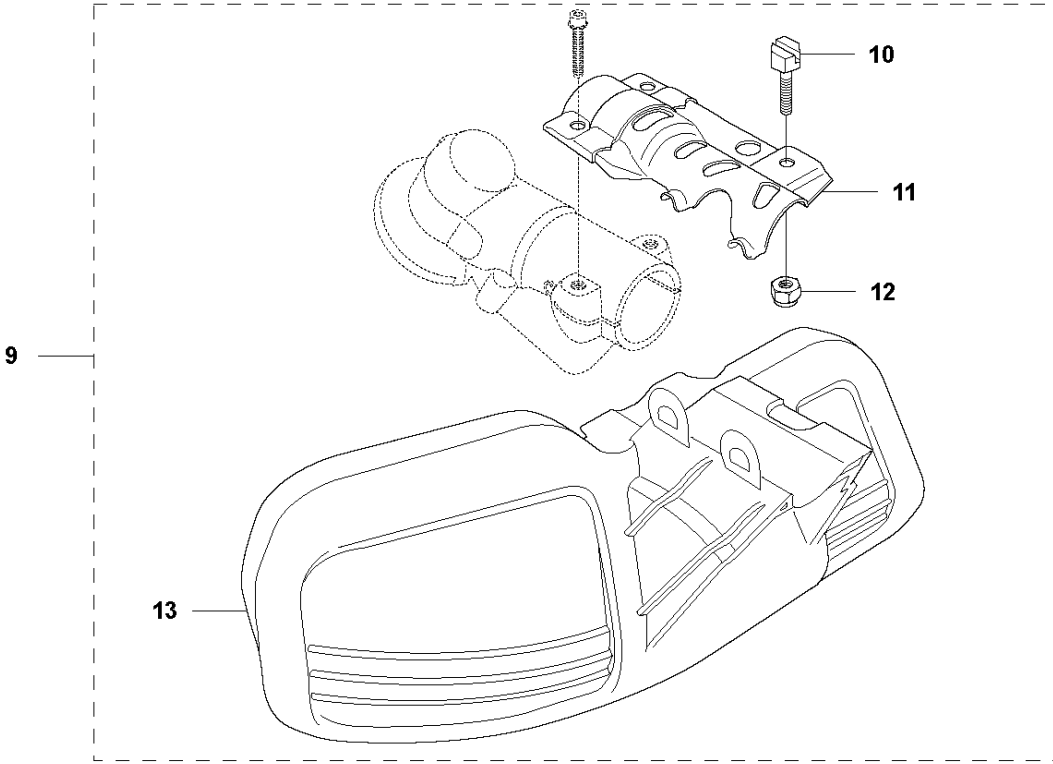
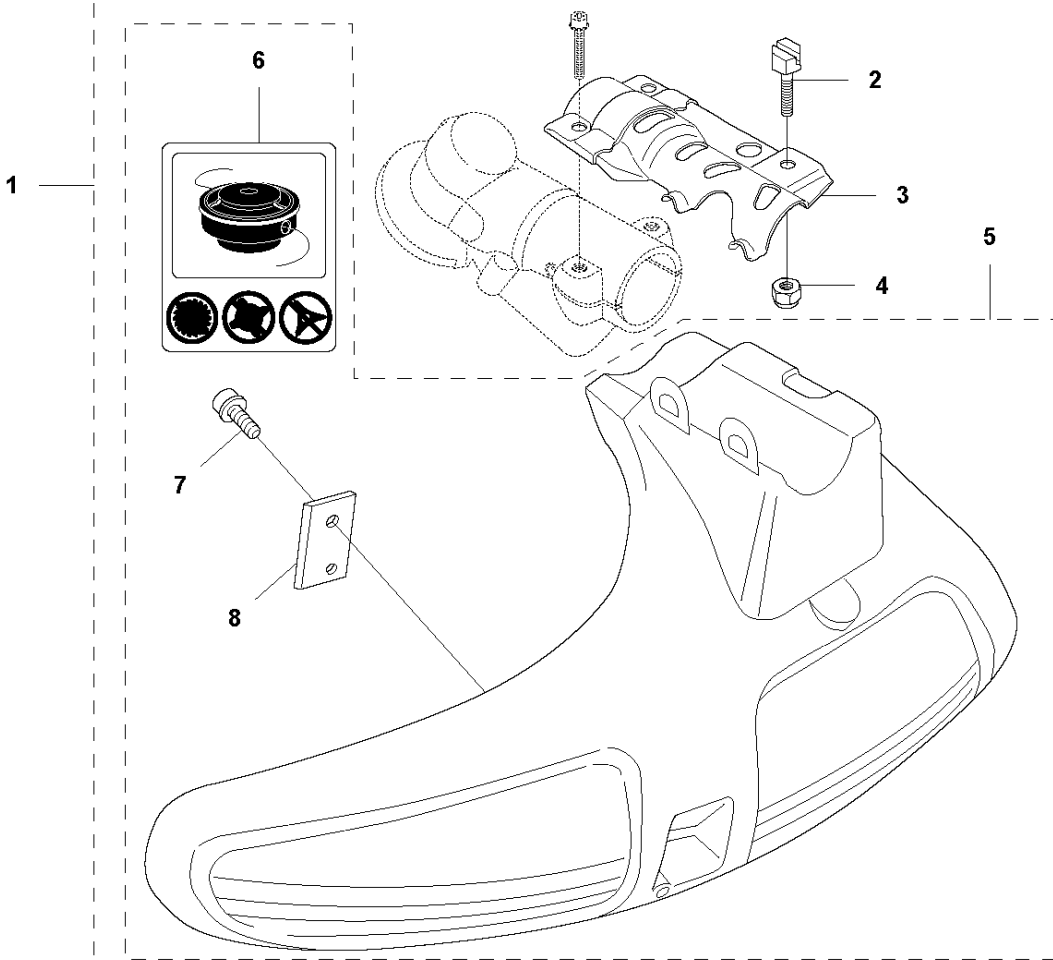


## CARBURETOR

545FX AT, 2017-12

Ref	Part No	Description	Remark	QTY	KIT
1	589 29 29-01	CARBURETTOR		1	
2	578 98 93-01	HOUSING ASSY		1	
3	537 00 31-01	SCREW		4	1
4	574 35 81-01	COVER		1	1
5	582 36 64-01	DIAPHRAGM & GASKET KIT		1	1
6	589 28 84-01	CARBURETTOR KIT		1	1
7	589 28 78-01	CARBURETTOR KIT		1	1
8	589 28 85-01	CARBURETTOR KIT		1	1
10	589 28 86-01	CARBURETTOR KIT		1	1
11	579 26 52-01	COVER		1	1
12	574 35 90-01	SCREW		1	1
13	583 90 90-01	BRACKET		1	1
14	574 35 91-01	SCREW		2	1
15	501 66 61-01	SCREEN		1	

**R5** 545FX AT, 545FXT AT  
ACCESSORIES



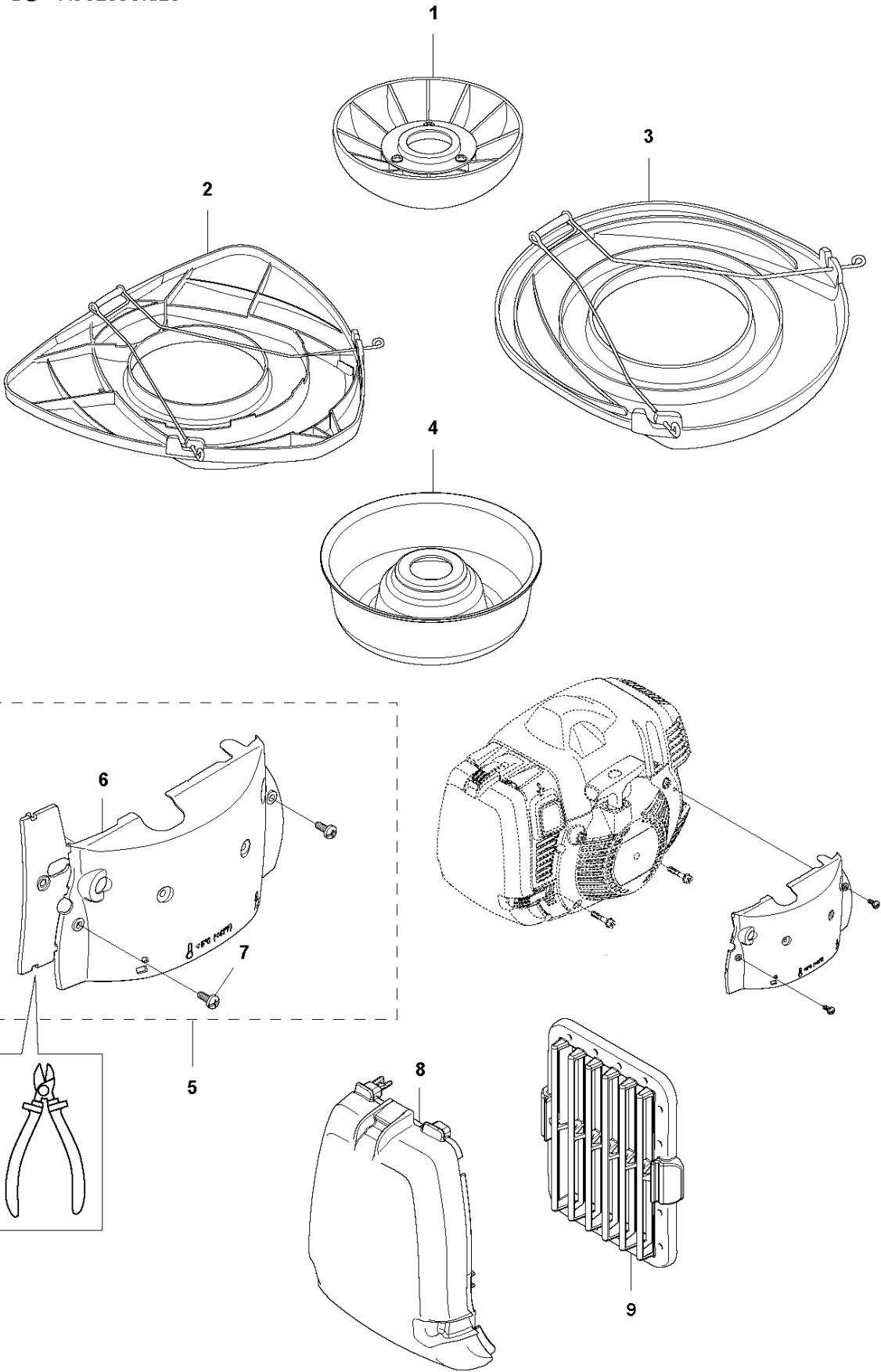


## ACCESSORIES

545FX AT, 2017-12

Ref	Part No	Description	Remark	QTY	KIT
1	537 29 73-01	TRIMMER GUARD		1	
2	537 18 95-01	SCREW		1	1
3	537 23 03-01	ATTACHMENT PLATE		1	1
4	732 21 16-01	LOCK NUT		1	1
5	503 95 43-02	TRIMMER GUARD		1	1
6	503 74 29-01	DECAL		1	1, 5
7	503 21 07-16	SCREW IHSCT		1	1, 5
8	537 28 53-01	BLADE		1	1, 5
9	537 29 74-01	GRASS BLADE GUARD		1	
10	537 18 95-01	SCREW		1	9
11	537 23 03-01	ATTACHMENT PLATE		1	9
12	732 21 16-01	LOCK NUT		1	9
13	537 28 85-01	GRASS BLADE GUARD		1	9

**R3** 545RXT AT, 545FX AT, 545FXT AT  
ACCESSORIES

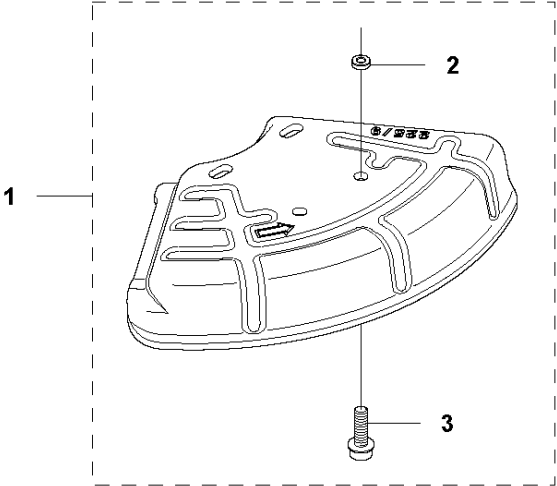


## ACCESSORIES

545FX AT, 2017-12

Ref	Part No	Description	Remark	QTY	KIT
1	502 15 70-02	SUPPORT CUP		1	
2	544 35 91-01	TRANSPORT GUARD		1	
3	537 31 29-01	TRANSPORT GUARD		1	
4	544 38 02-01	SUPPORT CUP		1	
5	577 04 39-01	WINTER KIT		1	
6	522 55 09-01	WINTER COVER		1	5
7	503 21 70-10	SCREW CCRPANT		3	5
8	590 07 41-01	WINTER COVER		1	
9	590 08 02-03	AIR FILTER		1	

**R4** 545FX AT, 545FXT AT  
ACCESSORIES

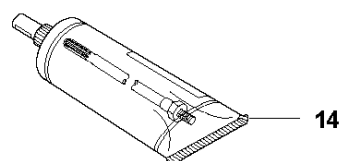
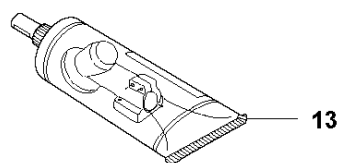
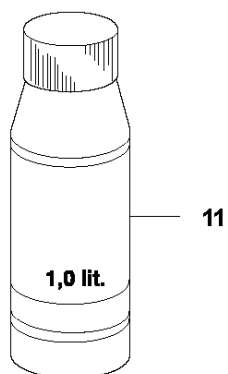
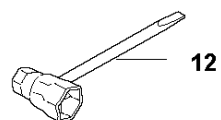
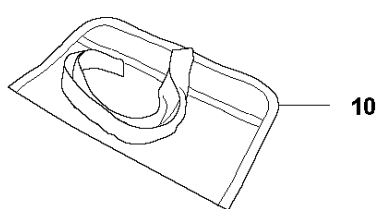
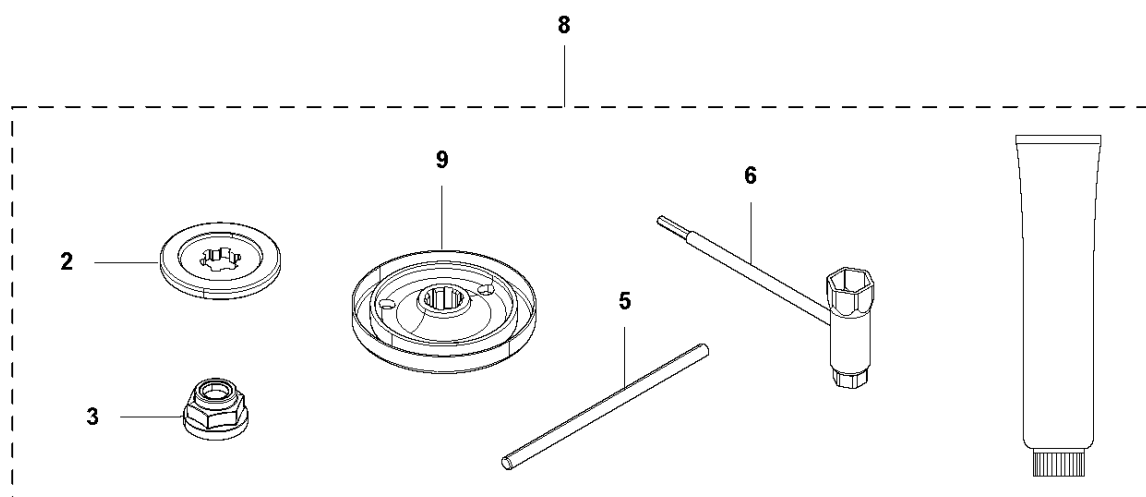
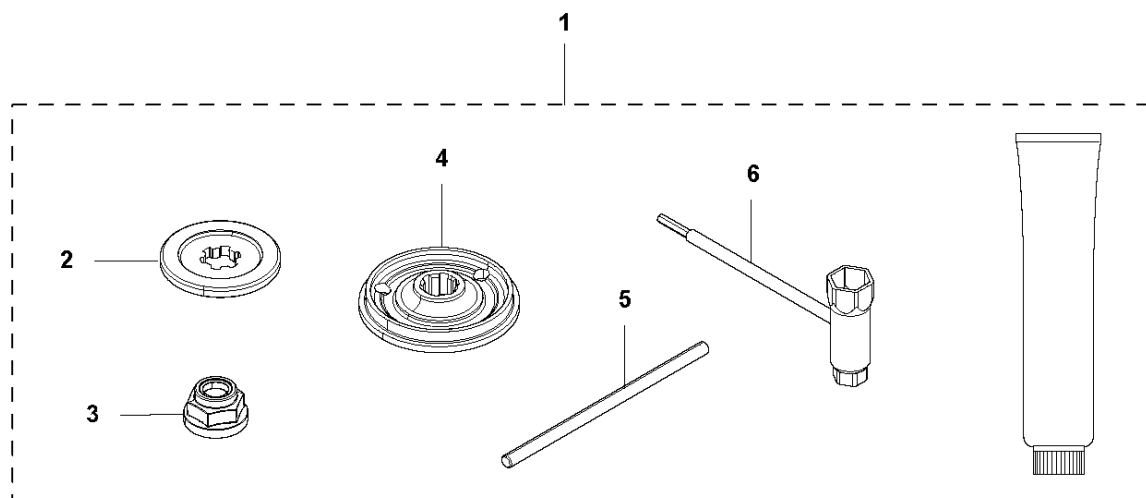


## ACCESSORIES

545FX AT, 2017-12

Ref	Part No	Description	Remark	QTY	KIT
1	574 50 67-02	SAW BLADE GUARD		1	
2	574 03 95-01	LOCKING NUT		4	1
3	503 20 03-16	SCREW IHSCFM		4	1

**R1** 545RXT AT, 545FX AT, 545FXT AT  
ACCESSORIES

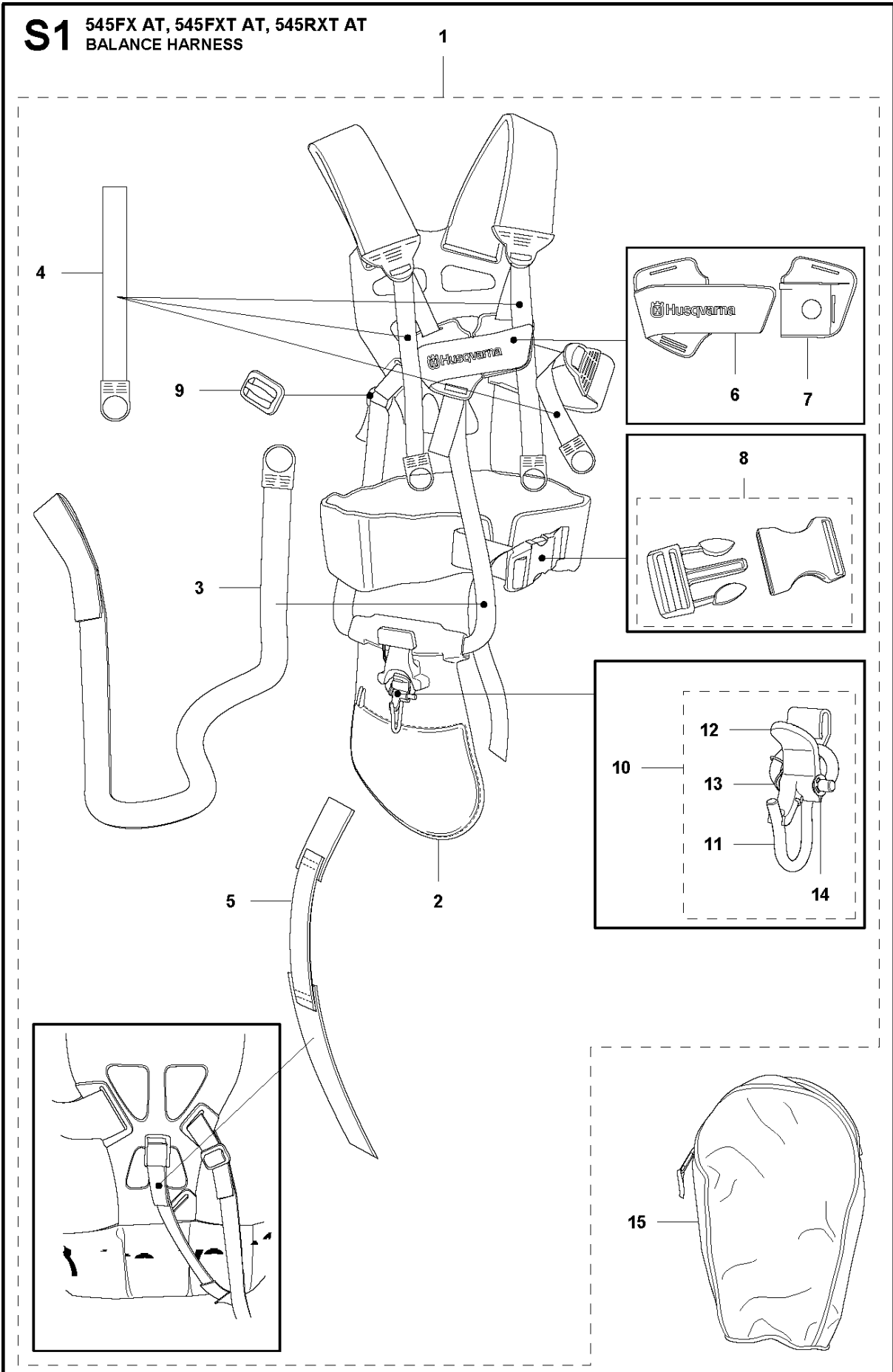


## ACCESSORIES

545FX AT, 2017-12

Ref	Part No	Description	Remark	QTY	KIT
1	502 21 60-24	ACCESSORY BAG		1	
2	537 34 35-02	SUPPORT FLANGE		1	1,8
3	502 29 11-01	BLADE NUT		1	1
4	544 19 78-01	DRIVER		1	1
5	502 28 59-01	STOP		1	1
6	537 36 21-02	COMBINATION WRENCH		1	1
8	502 21 60-27	ACCESSORY BAG		1	
9	537 35 14-02	DRIVER		1	
10	501 19 22-01	TOOL		1	
12	501 69 17-02	COMBINATION WRENCH		1	
11	531 00 92-48	FILTER OIL		1	
13	503 97 64-01	GREASE		1	
14	503 80 17-01	GREASE		1	

**S1** 545FX AT, 545FXT AT, 545RXT AT  
BALANCE HARNESS





## HARNESS

545FX AT, 2017-12

Ref	Part No	Description	Remark	QTY	KIT
1	578 44 97-01	HARNESS		1	
2	544 90 17-01	HIP PAD		1	1
3	503 99 61-03	BAND		1	1
4	503 99 61-01	BAND		3	1
5	537 15 35-01	STRAP		1	1
6	537 28 84-01	FRONT PIECE		1	1
7	537 28 83-01	FRONT PIECE		1	1
8	537 33 15-01	BUCKLE		1	1
9	537 28 70-01	BUCKLE		1	1
10	544 96 07-02	WELT HOOK		1	1
11	502 02 29-02	HOOK		1	1, 10
12	502 02 30-02	LOCK		1	1, 10
13	586 34 10-01	SPRING		1	1, 10
14	735 31 09-20	E-CLIP		1	1, 10
15	537 30 66-01	BAG	Triobalance Tool bag	1	



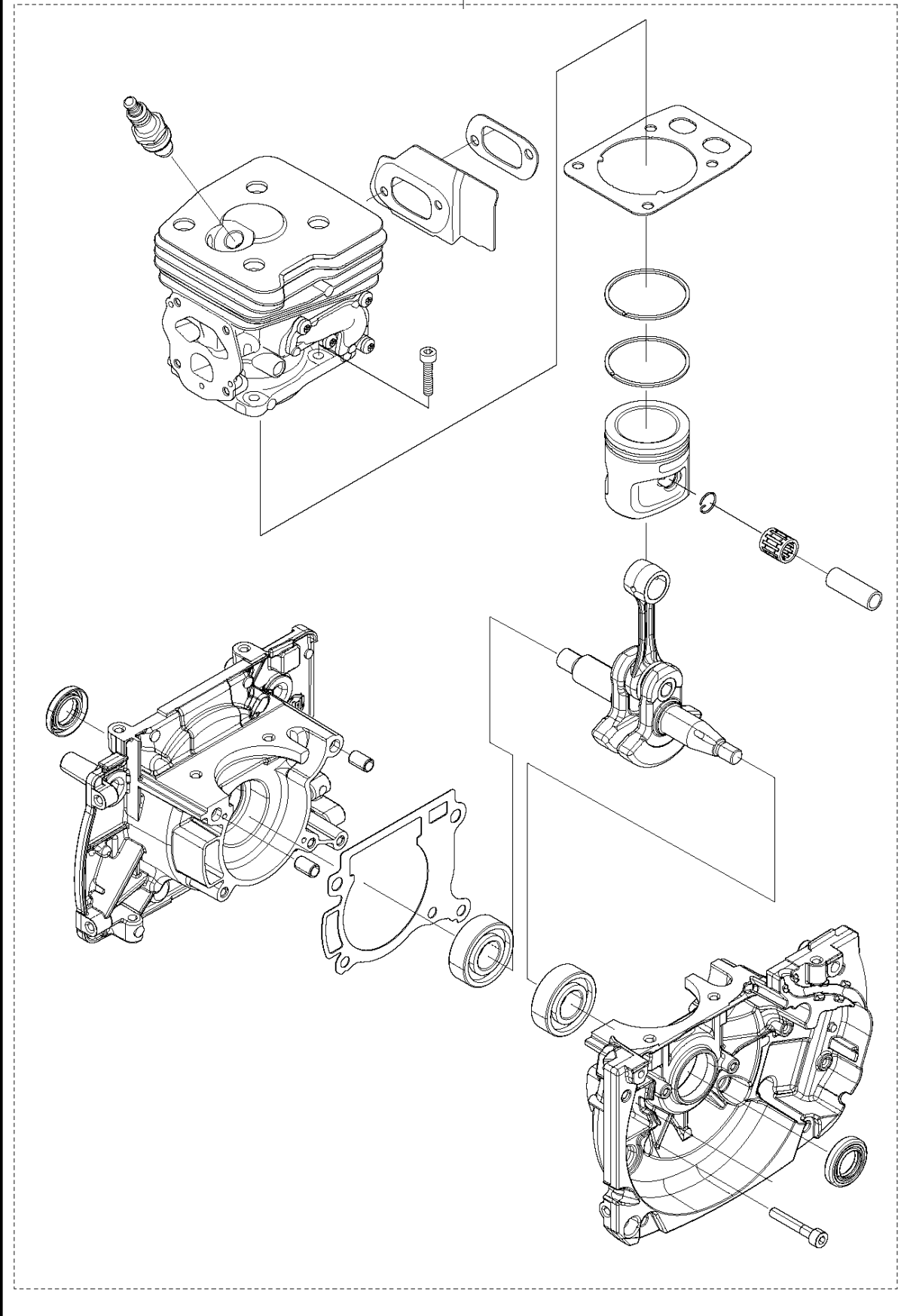
## HARNESS

545FX AT, 2017-12

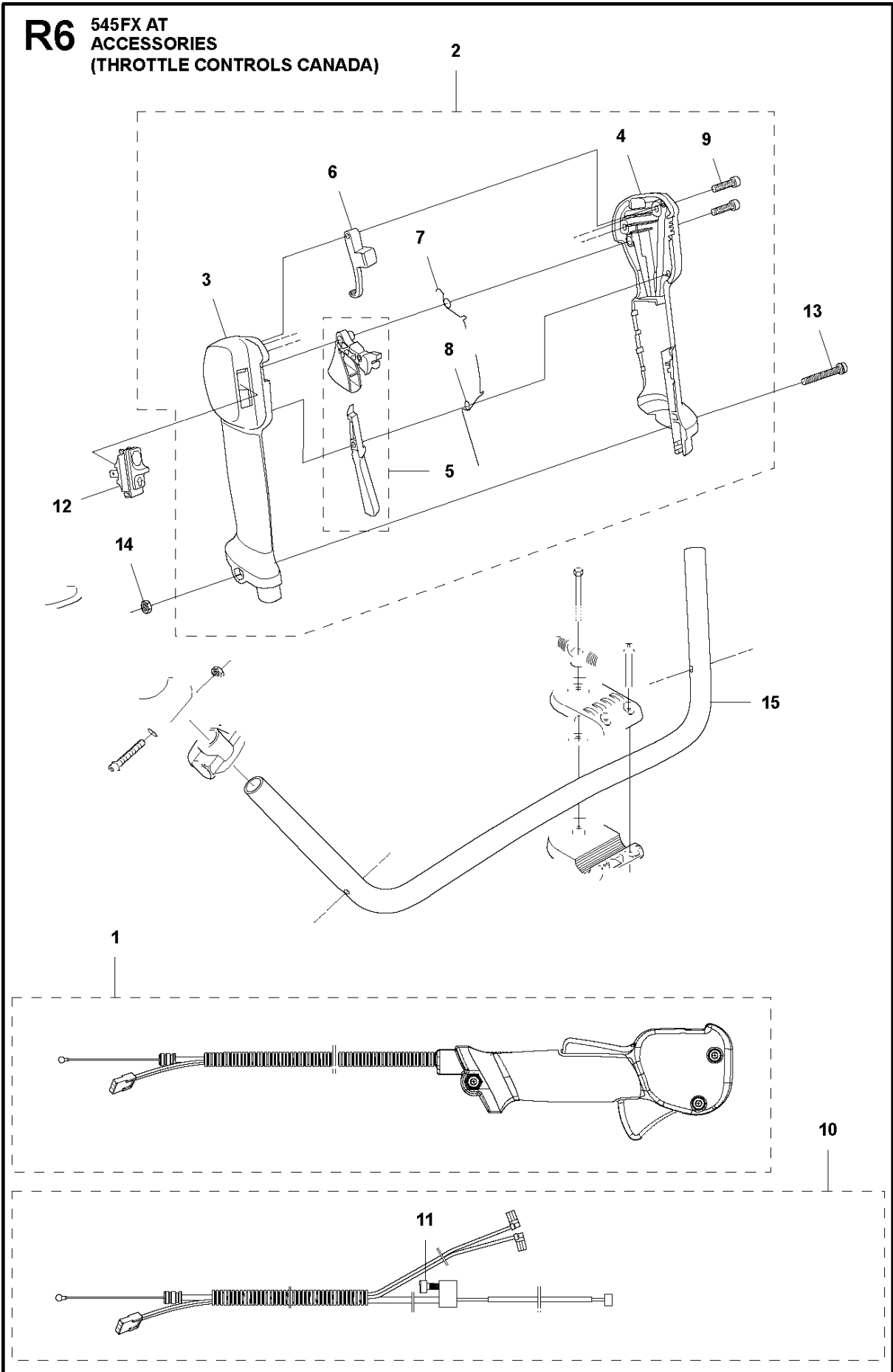
Ref	Part No	Description	Remark	QTY	KIT
1	578 44 98-01	HARNESS		1	
3	504 54 51-01	BUCKLE		3	1
2	504 54 52-01	BUCKLE		1	
4	504 63 75-01	SNAP LOCKING		1	1
5	537 33 15-01	BUCKLE		1	1
6	544 90 17-01	HIP PAD		1	1
7	544 96 07-02	WELT HOOK		1	1
8	502 02 30-02	LOCK		1	1, 7
9	586 34 10-01	SPRING		1	1, 7
10	502 02 29-02	HOOK		1	1, 7
11	735 31 09-20	E-CLIP		1	1, 7
13	537 15 35-01	STRAP		1	1
14	503 99 61-04	BAND		1	1
15	537 28 70-01	BUCKLE		1	1
16	503 99 61-07	BAND		1	
17	505 44 46-01	BUCKLE		1	
18	504 63 74-01	SNAP LOCKING		1	

**T** 545 RXT AT, 545FX AT, 545FXT AT  
SHORT BLOCK

1



Ref	Part No	Description	Remark	QTY KIT
1	590 09 28-01	SHORT BLOCK		1



## THROTTLE CONTROLS

545FX AT, 2017-12

Ref	Part No	Description	Remark	QTY KIT	
1	577 07 19-06	THROTTLE HANDLE ASSY	Index finger-operated throttle	1	
2	504 20 98-04	THROTTLE HANDLE ASSY	Index finger-operated throttle	1	1
3	537 18 07-11	HANDLE HALF		1	1, 2
4	537 18 08-11	HANDLE HALF		1	1, 2
5	506 49 77-01	THROTTLE CONTROL		1	1, 2
6	585 06 59-01	BUTTON		1	1, 2
7	537 17 42-01	SPRING THROTTLE TRIG		1	1, 2
8	537 17 43-01	SPRING		1	1, 2
9	503 21 66-74	SCREW IH SCT		2	1, 2
10	579 25 45-02	WIRING ASSY		1	1, 10
11	503 21 66-18	SCREW IH SCT		1	
12	537 41 90-01	SWITCH		1	
13	503 20 07-82	SCREW IH SCFM		1	
14	503 22 10-13	HEXAGON NUT		1	
15	505 43 33-03	HANDLEBAR		1	