

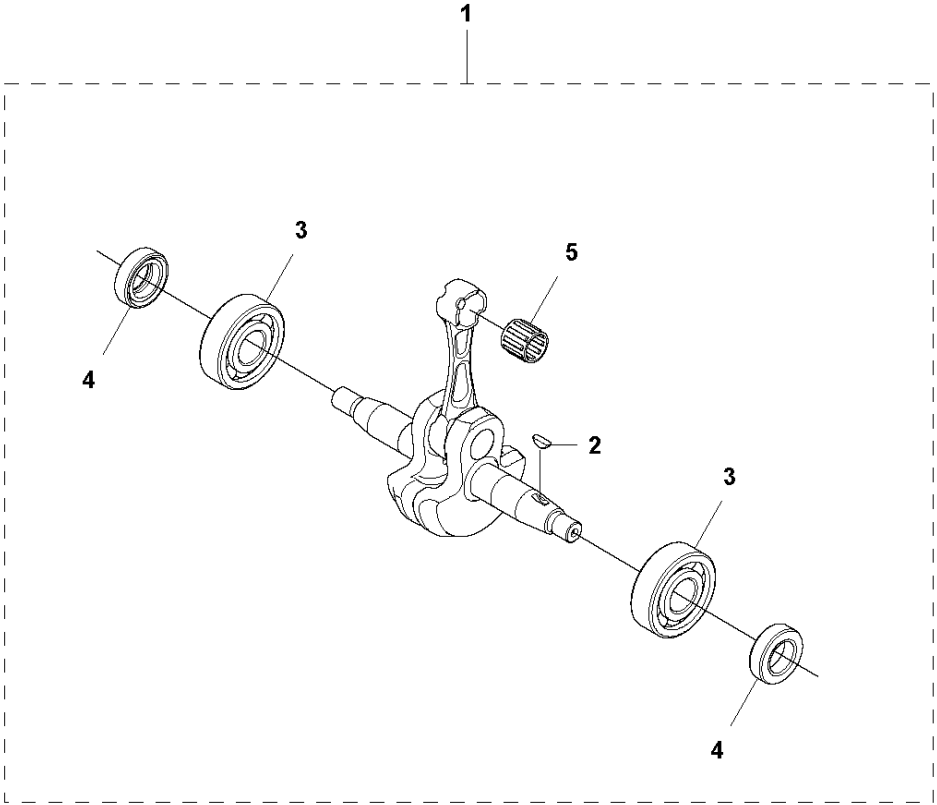


SPARE PARTS LIST

BLOWERS

578BTF, 2018-09

L 578 BTF
CRANK SHAFT

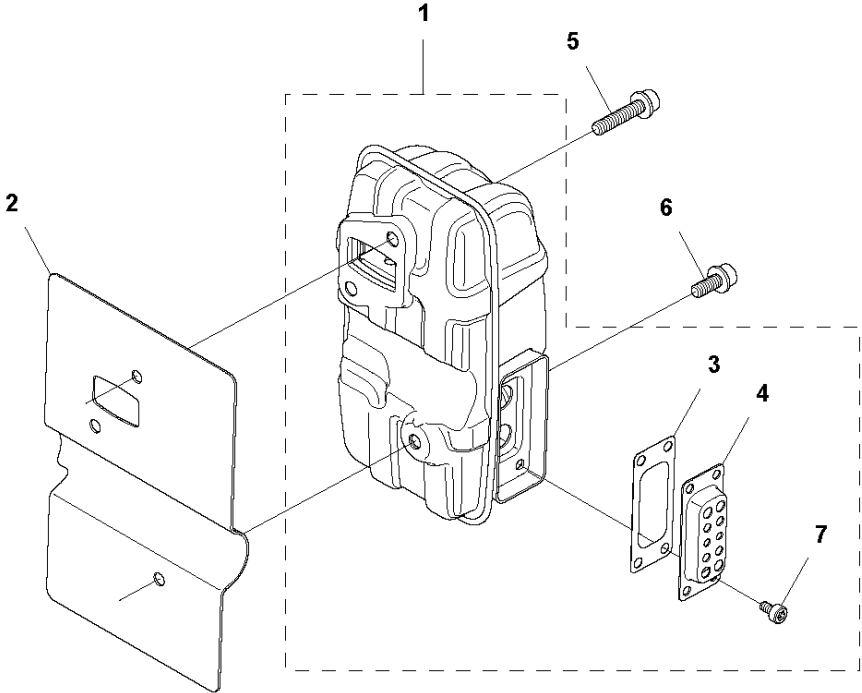


CRANKSHAFT

578BTF, 2018-09

| Ref | Part No | Description | Remark | QTY | KIT |
|-----|--------------|-------------|--------|-----|-----|
| 1 | 578 38 51-01 | SERVICE KIT | | 1 | |
| 2 | 506 68 94-01 | KEY | | 1 | 1 |
| 3 | 521 52 13-01 | BEARING | | 2 | 1 |
| 4 | 521 52 19-01 | SEAL | | 2 | 1 |
| 5 | 576 69 64-01 | BEARING | | 1 | 1 |

F 578 BTF
MUFFLER

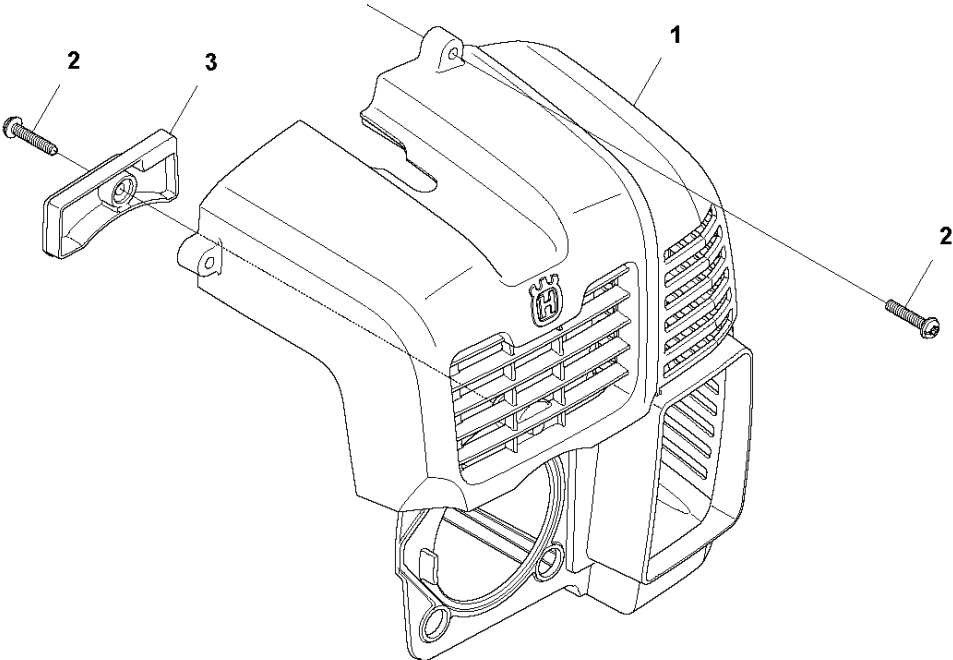


MUFFLER

578BTF, 2018-09

| Ref | Part No | Description | Remark | QTY | KIT |
|-----|--------------|----------------|--------|-----|-----|
| 1 | 585 04 42-01 | MUFFLER ASSY | | 1 | |
| 2 | 576 59 09-01 | GASKET | | 1 | |
| 3 | 585 04 44-01 | SPARK ARRESTER | | 1 | 1 |
| 4 | 585 04 45-01 | DIFFUSER | | 1 | 1 |
| 5 | 576 59 07-01 | BOLT | | 2 | |
| 6 | 576 59 08-01 | BOLT | | 1 | |
| 7 | 544 36 27-01 | BOLT | | 4 | 1 |

C 578 BTF
CYLINDER COVER

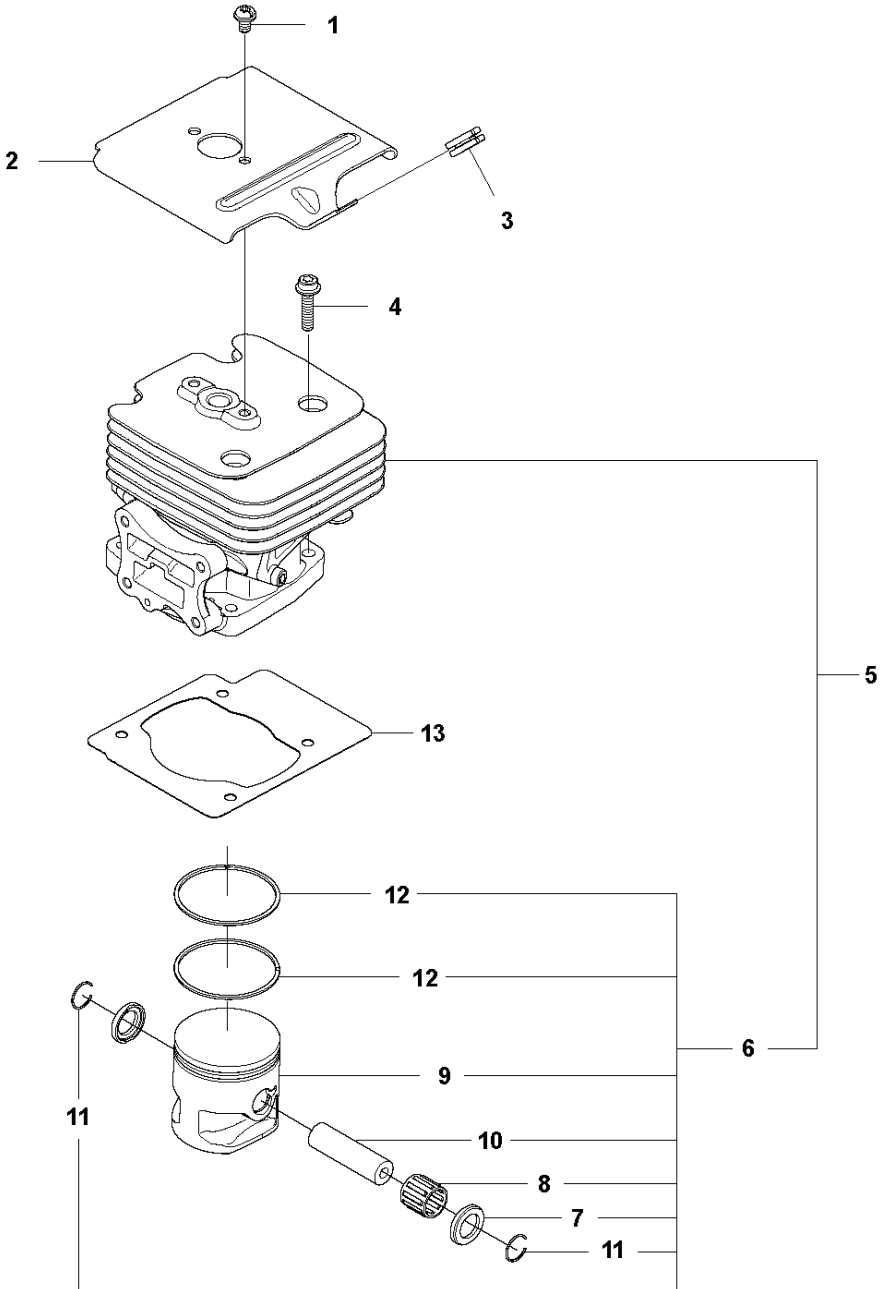


CYLINDER COVER

578BTF, 2018-09

| Ref | Part No | Description | Remark | QTY KIT |
|-----|--------------|--------------|--------|---------|
| 1 | 576 57 85-01 | ENGINE COVER | | 1 |
| 2 | 512 84 81-01 | SCREW | | 5 |
| 3 | 576 57 86-01 | COVER | | 1 |

J 578 BTF
CYLINDER & PISTON

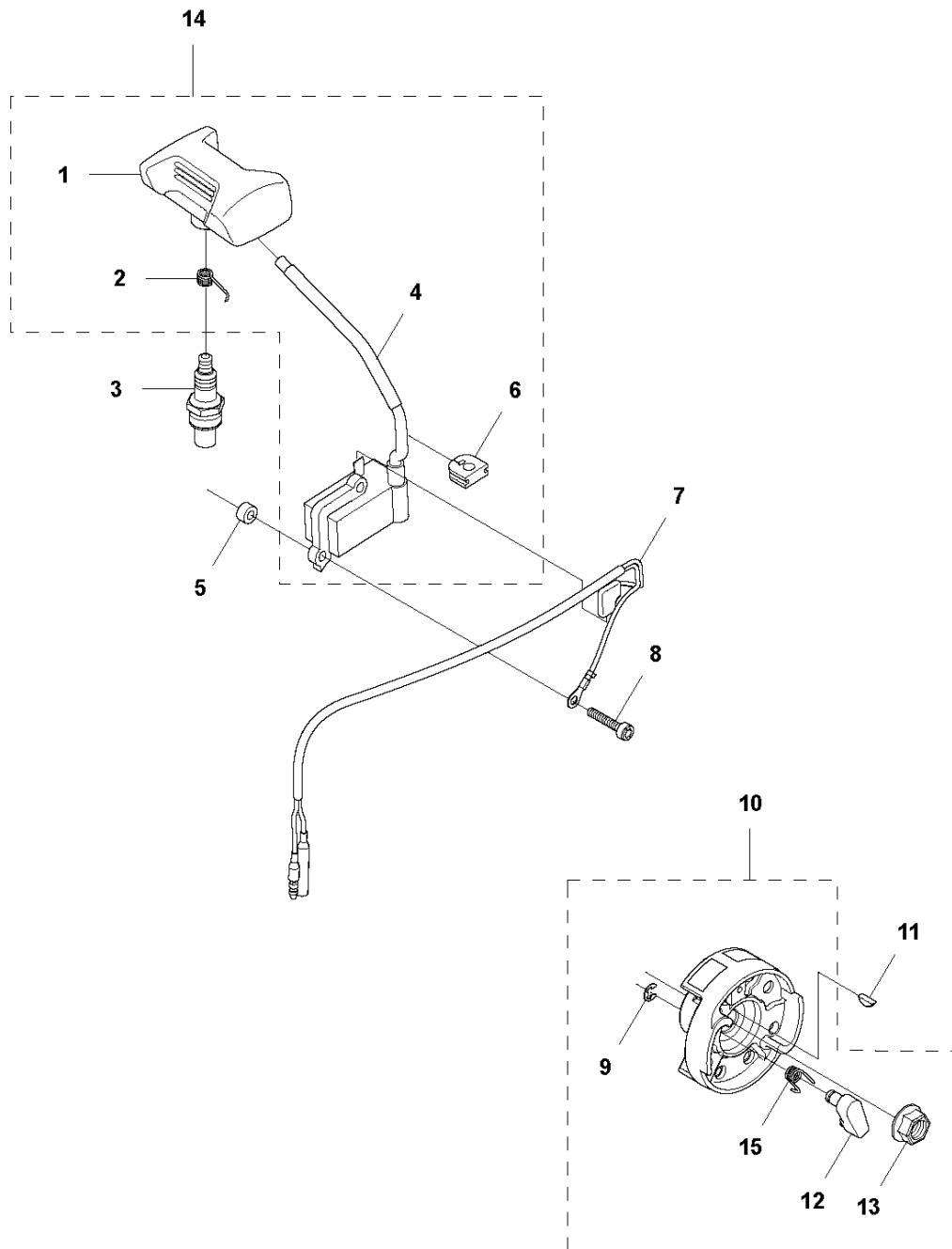


CYLINDER PISTON

578BTF, 2018-09

| Ref | Part No | Description | Remark | QTY | KIT |
|-----|--------------|-------------|--------|-----|------|
| 1 | 544 25 68-01 | SCREW | | 2 | |
| 2 | 576 58 95-01 | PLATE | | 1 | |
| 3 | 576 58 96-01 | GROMMET | | 1 | |
| 4 | 506 74 52-01 | BOLT | | 4 | |
| 5 | 578 38 50-01 | CYLINDER | | 1 | |
| 6 | 576 59 64-01 | PISTON | | 1 | 5 |
| 7 | 521 52 05-01 | WASHER | | 2 | 5, 6 |
| 8 | 576 69 64-01 | BEARING | | 1 | 5, 6 |
| 9 | 576 59 65-01 | PISTON | | 1 | 5, 6 |
| 10 | 576 59 68-01 | PIN | | 1 | 5, 6 |
| 11 | 521 53 19-01 | SNAP RING | | 2 | 5, 6 |
| 12 | 576 59 67-01 | RING | | 2 | 5, 6 |
| 13 | 576 58 94-01 | GASKET | | 1 | |

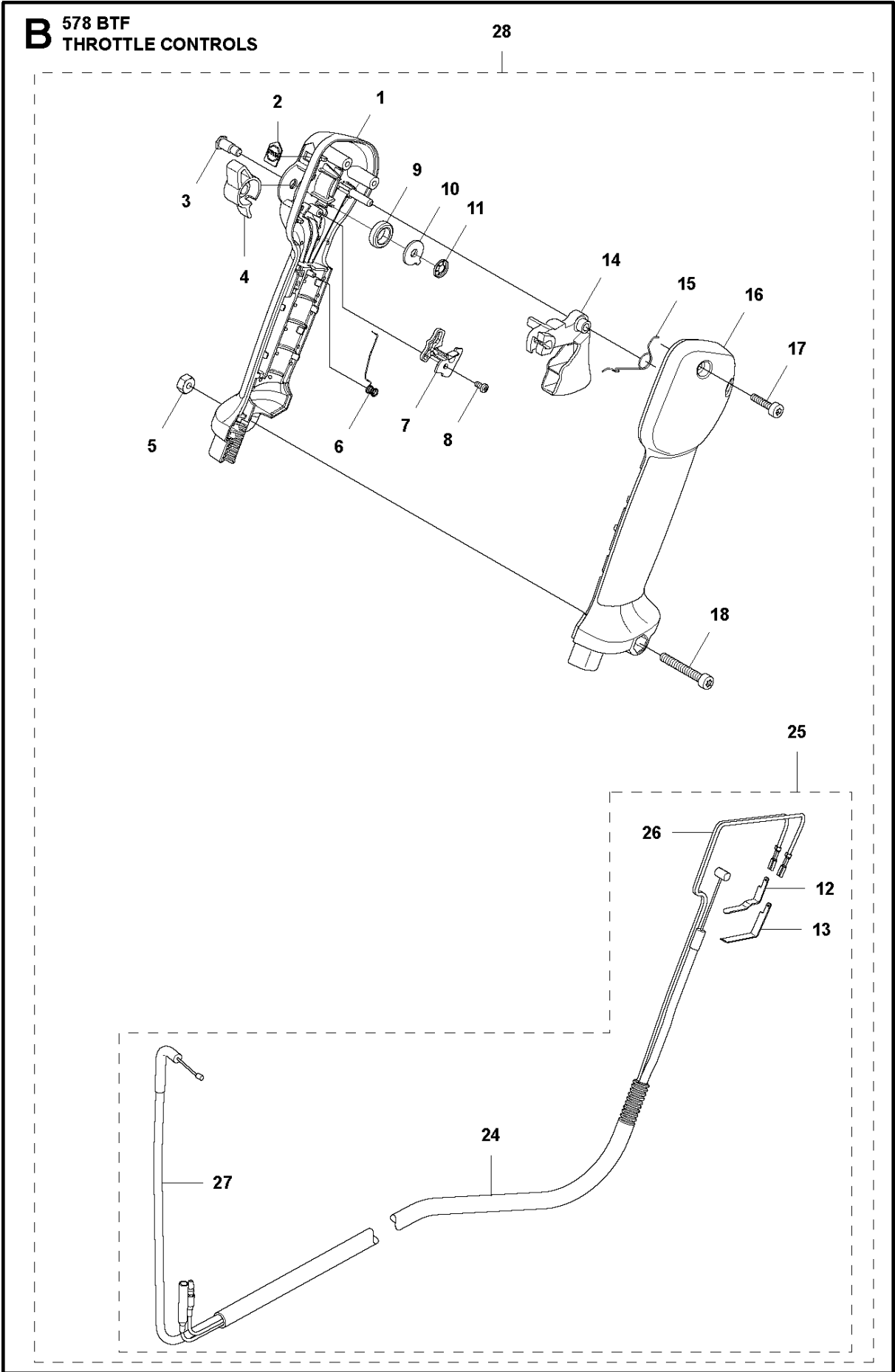
H 578 BTF
IGNITION SYSTEM



IGNITION SYSTEM

578BTF, 2018-09

| Ref | Part No | Description | Remark | QTY | KIT |
|-----|--------------|----------------|--------|-----|-----|
| 1 | 587 98 47-01 | SPARK PLUG CAP | | 1 | 14 |
| 2 | 506 65 52-01 | SPRING | | 1 | 14 |
| 3 | 521 23 34-01 | SPARK PLUG | | 1 | |
| 4 | 587 65 44-01 | TUBE | | 1 | 14 |
| 5 | 588 17 14-01 | SPACER | | 2 | |
| 6 | 515 41 53-01 | GROMMET | | 1 | 14 |
| 7 | 576 59 38-01 | CORD | | 1 | |
| 8 | 579 38 30-01 | BOLT | | 2 | |
| 9 | 587 65 48-01 | RING | | 2 | 10 |
| 10 | 587 65 51-01 | ROTOR | | 1 | |
| 11 | 506 68 94-01 | KEY | | 1 | |
| 12 | 587 65 50-01 | RATCHET | | 2 | 10 |
| 13 | 513 24 19-01 | NUT | | 1 | 10 |
| 14 | 587 98 45-01 | COIL | | 1 | |
| 15 | 587 65 49-01 | SPRING | | 2 | 10 |

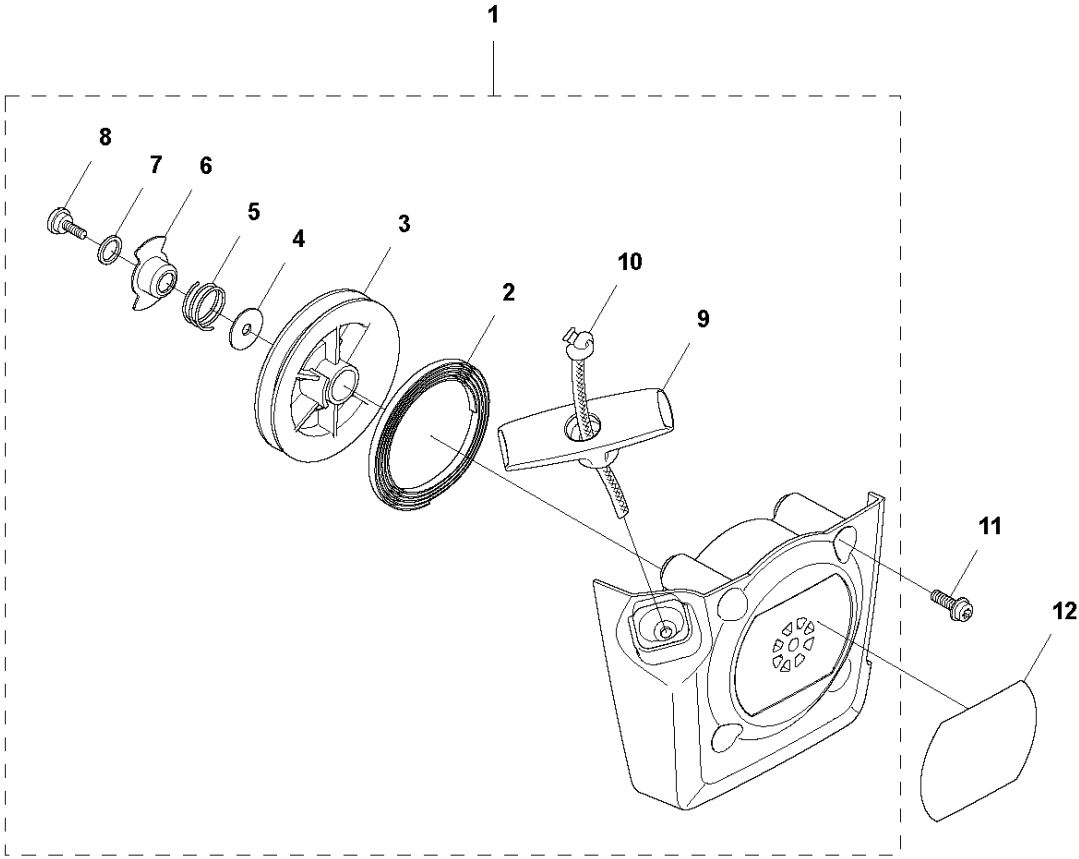


THROTTLE CONTROLS

578BTF, 2018-09

| Ref | Part No | Description | Remark | QTY | KIT |
|-----|--------------|----------------------|--------------------|-----|--------|
| 1 | 502 24 48-01 | HANDLE HALF | | 1 | 28 |
| 2 | 502 64 17-01 | PLATE | | 1 | 28 |
| 3 | 537 14 12-03 | SHAFT PIVOT | | 1 | 28 |
| 4 | 502 24 55-01 | CONTROL | | 1 | 28 |
| 5 | 510 91 12-01 | NUT | | 1 | 28 |
| 6 | 505 56 79-01 | SPRING | | 1 | 28 |
| 7 | 502 24 60-01 | RETAINER | | 1 | 28 |
| 8 | 503 21 29-06 | SCREW CCRPANT | | 1 | 28 |
| 9 | 591 17 64-01 | SPRING | | 1 | 28 |
| 10 | 505 18 15-01 | WASHER | | 1 | 28 |
| 11 | 735 58 35-01 | WASHER | | 1 | 28 |
| 12 | 537 22 63-01 | CONNECTOR | | 1 | 25, 28 |
| 13 | 537 22 62-01 | CONNECTOR | | 1 | 25, 28 |
| 14 | 502 24 54-01 | TRIGGER | | 1 | 28 |
| 15 | 537 17 42-01 | SPRING THROTTLE TRIG | | 1 | 28 |
| 16 | 502 24 49-01 | HANDLE HALF | | 1 | 28 |
| 17 | 505 29 12-01 | SCREW | | 2 | 28 |
| 18 | 505 29 08-01 | SCREW | | 1 | 28 |
| 24 | 577 75 69-01 | TUBE | | 1 | 25, 28 |
| 25 | 576 78 56-01 | WIRING ASSY | | 1 | 28 |
| 26 | 576 78 57-01 | CORD | | 1 | 25, 28 |
| 27 | 576 78 58-01 | CABLE | | 1 | 25, 28 |
| 28 | 596 39 18-01 | LEVER ASSY | s/n from - 2018-11 | 1 | |

D 578 BTF
STARTER

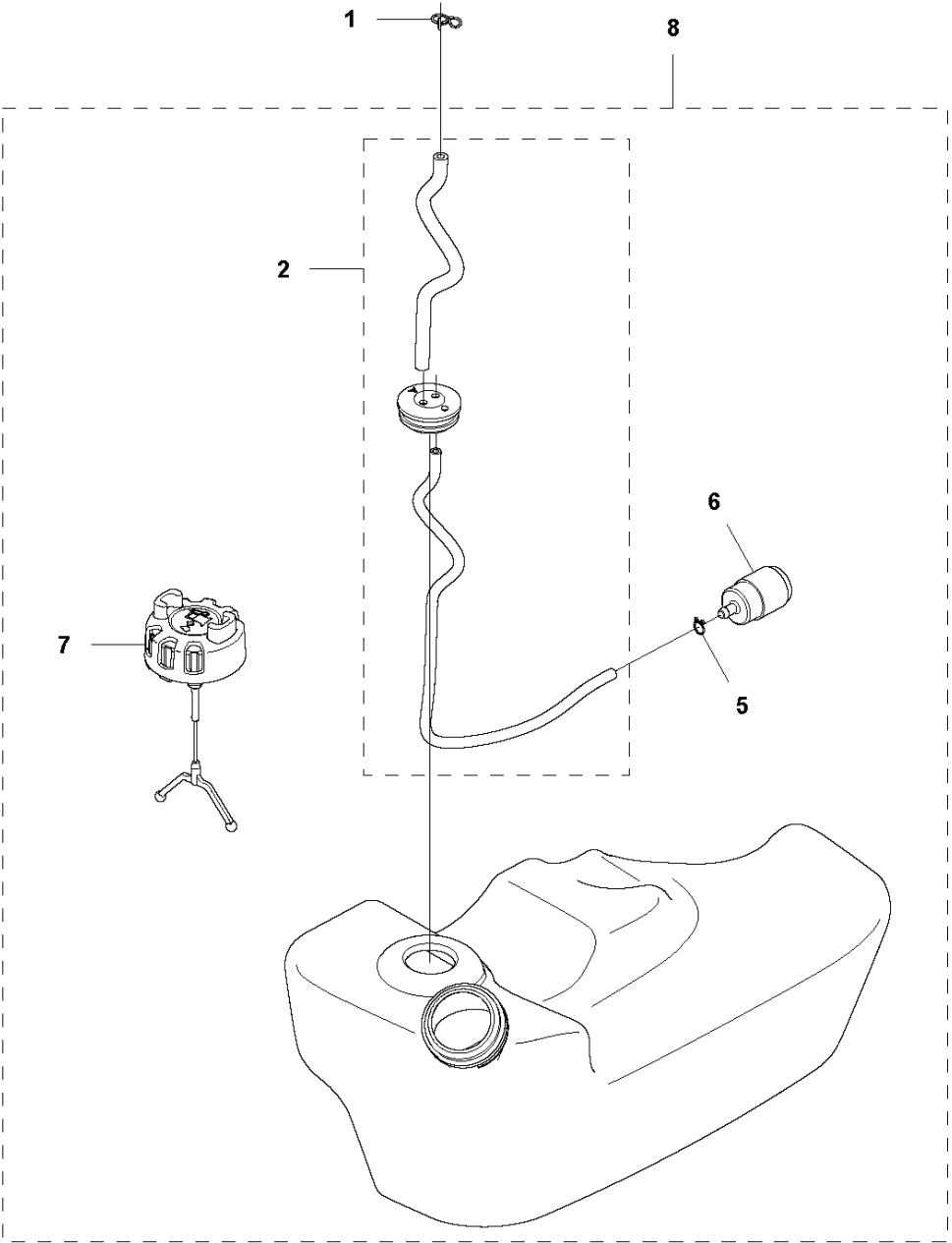


STARTER

578BTF, 2018-09

| Ref | Part No | Description | Remark | QTY KIT | |
|-----|--------------|----------------|--------|---------|---|
| 1 | 578 28 35-01 | STARTER ASSY | | 1 | |
| 2 | 521 62 96-01 | SPRING | | 1 | 1 |
| 3 | 576 59 42-01 | REEL | | 1 | 1 |
| 4 | 521 63 08-01 | WASHER | | 1 | 1 |
| 5 | 521 63 06-01 | SPRING | | 1 | 1 |
| 6 | 521 63 03-01 | PLATE | | 1 | 1 |
| 7 | 521 63 12-01 | WASHER | | 1 | 1 |
| 8 | 515 36 71-01 | SCREW | | 1 | 1 |
| 9 | 537 23 25-01 | STARTER HANDLE | | 1 | 1 |
| 10 | 577 05 31-01 | ROPE | | 1 | 1 |
| 11 | 506 74 56-01 | BOLT | | 4 | |
| 12 | 586 89 41-01 | DECAL | | 1 | |

G 578 BTF
FUEL TANK

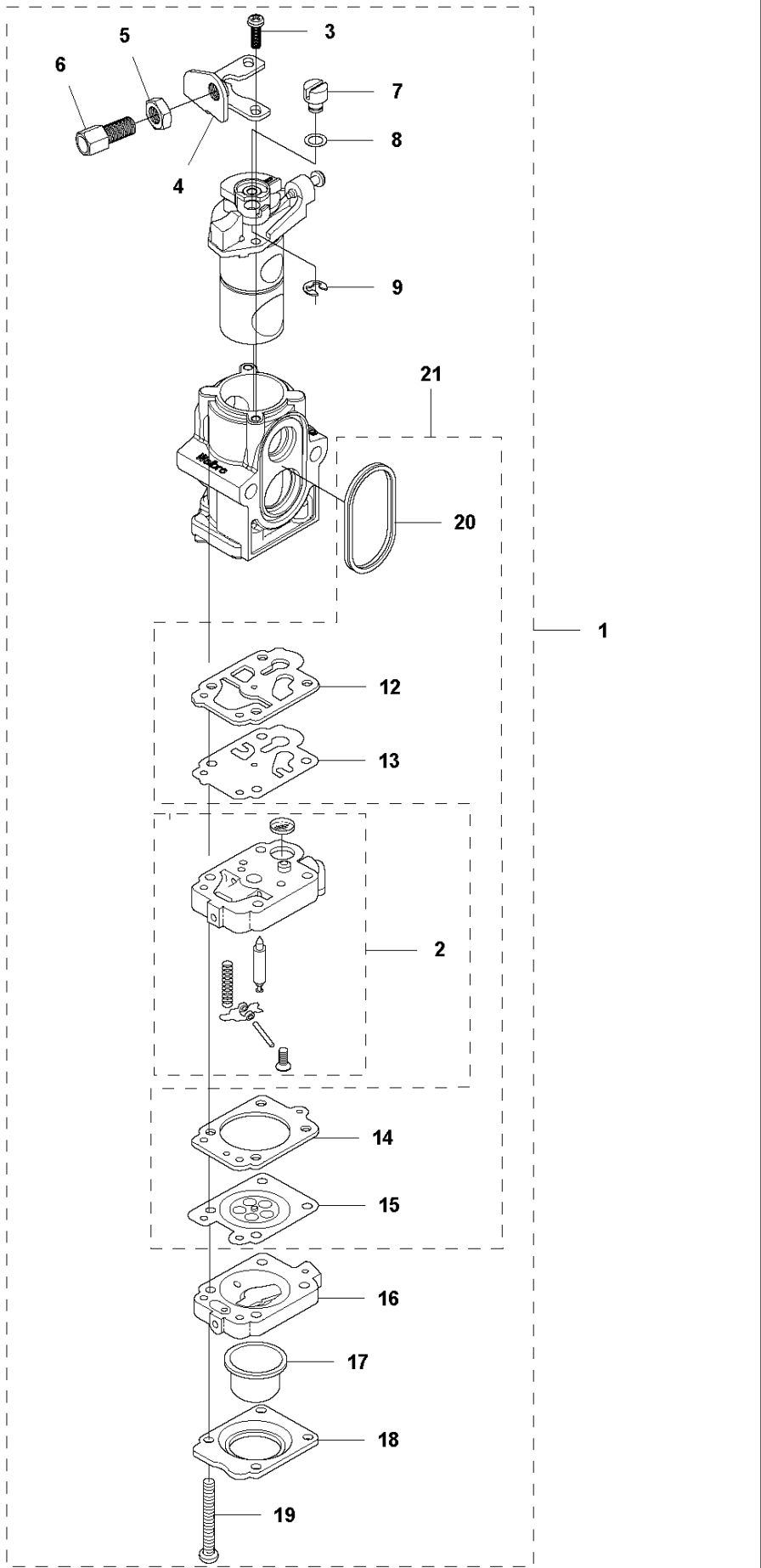


FUEL TANK

578BTF, 2018-09

| Ref | Part No | Description | Remark | QTY | KIT |
|-----|--------------|----------------|--------|-----|-----|
| 1 | 506 74 15-01 | CLIP | | 1 | |
| 2 | 587 19 37-01 | PIPE | | 1 | 8 |
| 5 | 506 70 70-01 | CLIP | | 1 | 8 |
| 6 | 506 74 26-01 | FILTER | | 1 | 8 |
| 7 | 504 03 18-01 | TANK CAP ASSY | | 1 | 8 |
| 8 | 598 74 89-01 | FUEL TANK ASSY | | 1 | |

Q 578 BTF
CARBURETOR

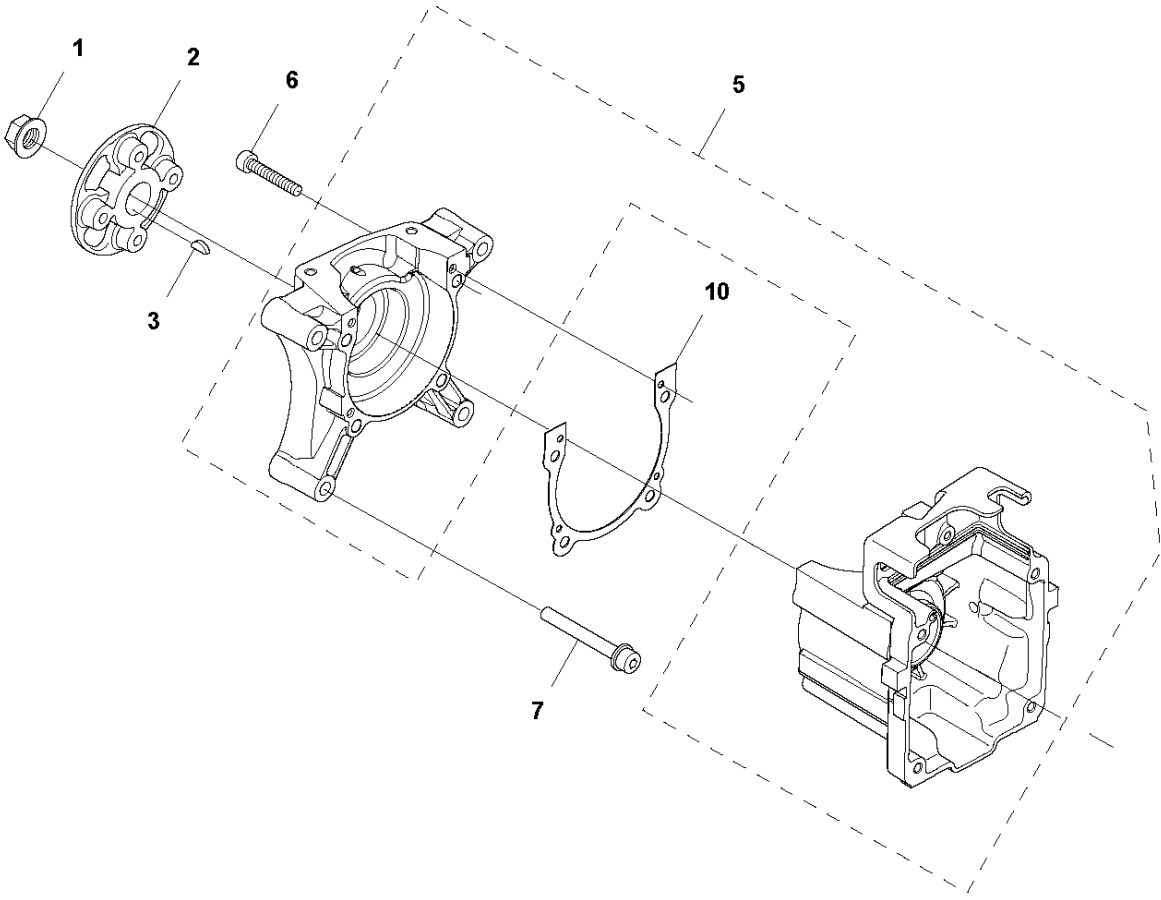


CARBURETOR

578BTF, 2018-09

| Ref | Part No | Description | Remark | QTY | KIT |
|-----|--------------|------------------|--------|-----|-------|
| 1 | 586 90 10-01 | CARBURETTOR | | 1 | |
| 2 | 544 36 35-01 | BODY CARBURETTOR | | 1 | 1 |
| 3 | 505 30 79-01 | SCREW | | 2 | 1 |
| 4 | 506 74 60-01 | BRACKET | | 1 | 1 |
| 5 | 506 61 26-01 | NUT | | 1 | 1 |
| 6 | 506 74 13-01 | SCREW | | 1 | 1 |
| 7 | 506 74 12-01 | SWIVEL | | 1 | 1 |
| 8 | 506 74 61-01 | WASHER | | 1 | 1 |
| 9 | 506 73 86-01 | RETAINER RING | | 1 | 1 |
| 12 | 506 74 51-01 | GASKET | | 1 | 1, 21 |
| 13 | 506 68 98-01 | DIAPHRAGM | | 1 | 1, 21 |
| 14 | 506 74 08-01 | GASKET | | 1 | 1, 21 |
| 15 | 505 30 68-01 | DIAPHRAGM | | 1 | 1, 21 |
| 16 | 506 74 09-01 | BODY | | 1 | 1 |
| 17 | 505 30 67-01 | PUMP | | 1 | 1 |
| 18 | 506 74 10-01 | COVER | | 1 | 1 |
| 19 | 506 74 11-01 | SCREW | | 4 | 1 |
| 20 | 521 63 15-01 | RING | | 1 | 1, 21 |
| 21 | 511 45 95-01 | GASKET KIT | | 1 | |

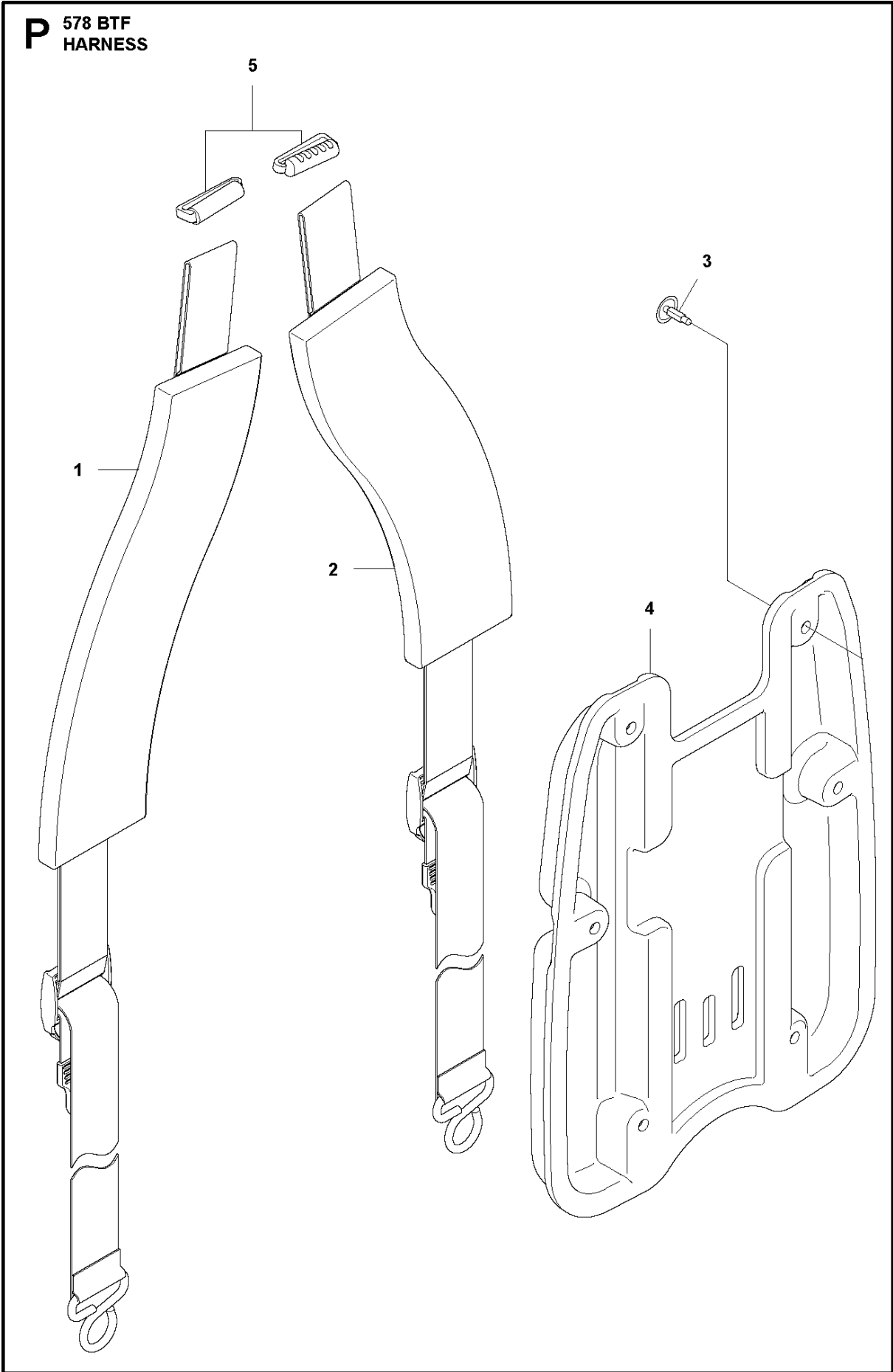
K 578 BTF
CRANK CASE



CRANKCASE

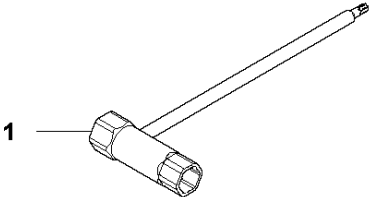
578BTF, 2018-09

| Ref | Part No | Description | Remark | QTY KIT |
|-----|--------------|-------------|--------|---------|
| 1 | 513 24 19-01 | NUT | | 1 |
| 2 | 576 59 27-01 | COUPLING | | 1 |
| 3 | 506 68 94-01 | KEY | | 1 |
| 5 | 576 59 11-01 | CRANKCASE | | 1 |
| 6 | 515 38 81-01 | BOLT | | 4 |
| 7 | 576 56 43-01 | BOLT | | 4 |
| 10 | 576 59 16-01 | GASKET | | 1 |



| Ref | Part No | Description | Remark | QTY KIT |
|-----|--------------|-------------|--------------------|---------|
| 1 | 587 07 08-01 | BAND | | 1 |
| 2 | 594 99 21-01 | HARNESS | s/n from - 2018-11 | 1 |
| 3 | 526 47 67-01 | CLIP | | 6 |
| 4 | 576 56 20-01 | PAD | | 1 |
| 5 | 544 27 00-01 | CLIP | | 2 |

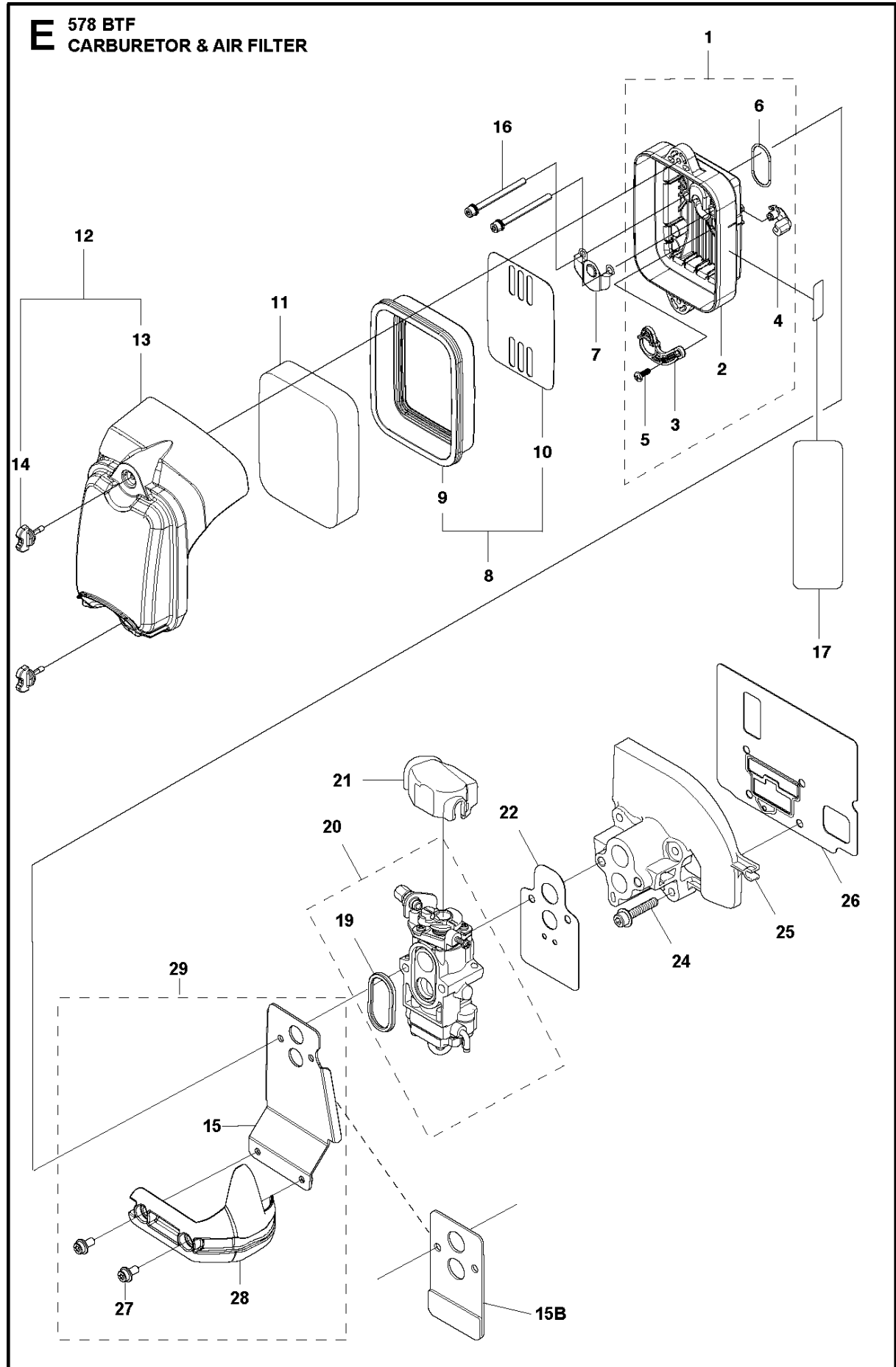
R 578 BTF
ACCESSORIES



ACCESSORIES

578BTF, 2018-09

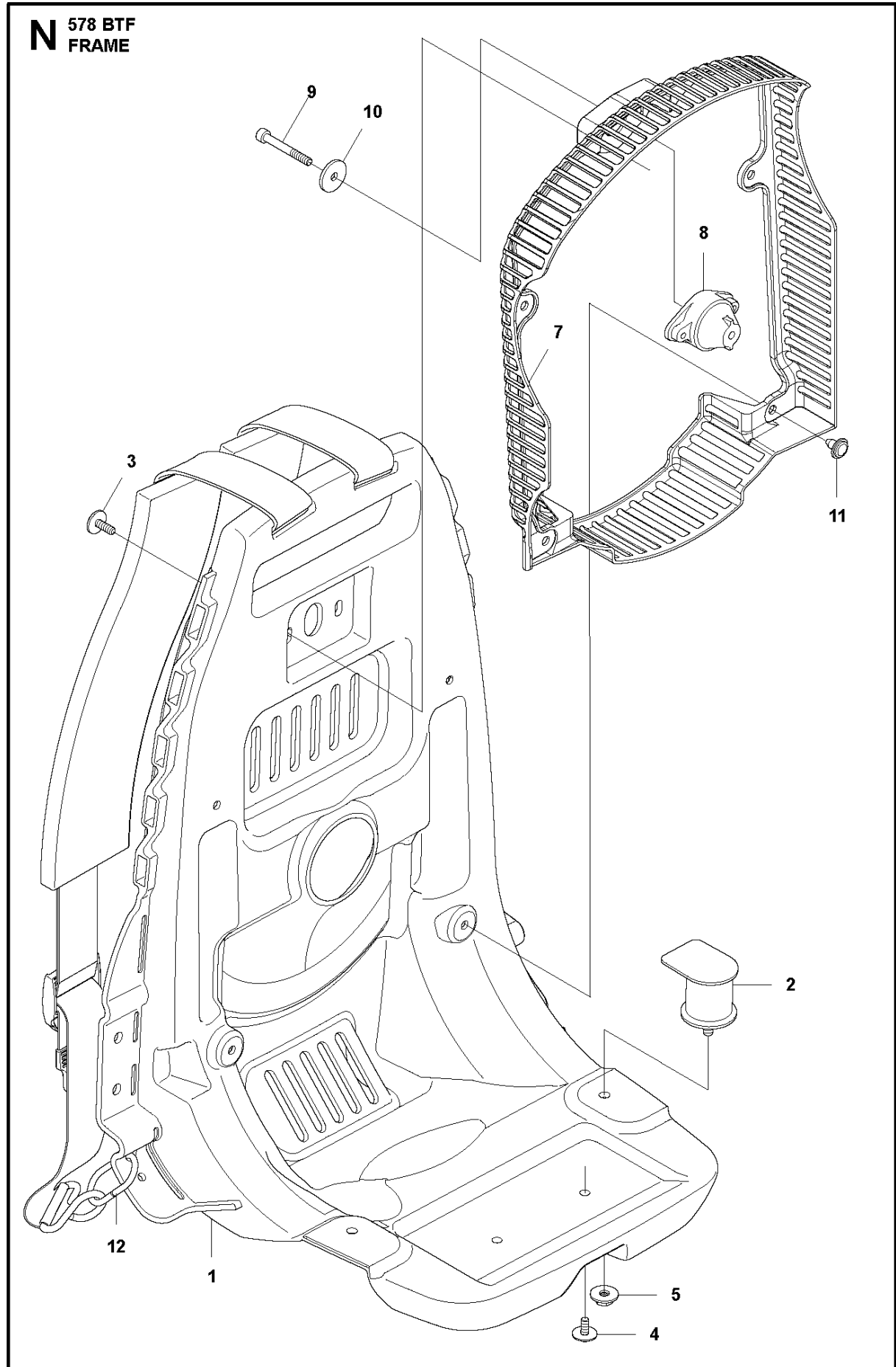
| Ref | Part No | Description | Remark | QTY KIT |
|-----|--------------|-------------|--------|---------|
| 1 | 521 53 30-01 | SOCKET | | 1 |



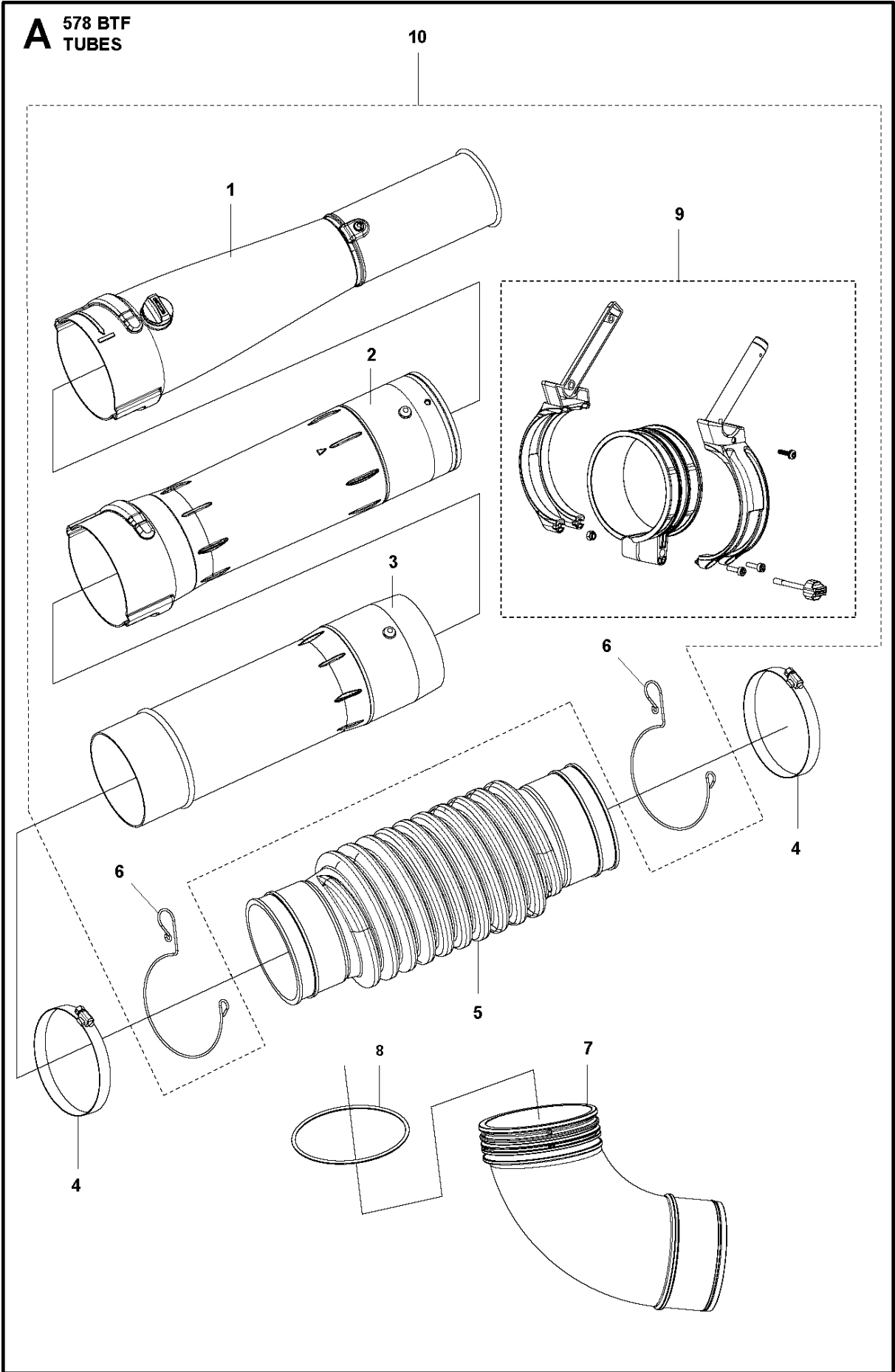
CARBURETOR & AIR FILTER

578BTF, 2018-09

| Ref | Part No | Description | Remark | QTY KIT | |
|-----|--------------|-------------------|-------------------------------|---------|----|
| 1 | 502 84 49-02 | AIR FILTER HOLDER | | 1 | |
| 2 | 577 96 15-01 | AIR FILTER HOLDER | | 1 | 1 |
| 3 | 512 25 96-01 | PLATE.CHOKE | | 1 | 1 |
| 4 | 521 74 05-01 | LEVER | | 1 | 1 |
| 5 | 581 73 62-01 | SCREW | | 1 | 1 |
| 6 | 512 26 00-01 | O-RING | | 1 | 1 |
| 7 | 502 84 47-01 | PLATE | | 1 | |
| 8 | 502 84 45-01 | GASKET | | 1 | |
| 9 | 512 26 03-01 | PACKING | | 1 | 8 |
| 10 | 512 26 04-01 | SCREEN | | 1 | 8 |
| 11 | 502 84 44-01 | AIR FILTER | | 1 | |
| 12 | 577 18 14-01 | AIR FILTER COVER | | 1 | |
| 13 | 577 03 01-01 | AIR FILTER COVER | | 1 | 12 |
| 14 | 502 84 43-01 | KNOB | | 2 | 12 |
| 15 | 592 62 19-01 | PLATE | From serial No.20174203096 | 1 | 29 |
| 15B | 578 27 40-01 | PLATE | | 1 | |
| 16 | 502 84 46-01 | SCREW | | 2 | |
| 17 | 521 74 02-01 | LABEL | | 1 | |
| 19 | 521 63 15-01 | RING | | 1 | 20 |
| 20 | 586 90 10-01 | CARBURETTOR | | 1 | |
| 21 | 506 74 42-01 | COVER | | 1 | |
| 22 | 577 08 96-01 | GASKET | | 1 | |
| 24 | 576 58 98-01 | BOLT | | 1 | |
| 25 | 578 10 84-01 | INSULATOR | | 1 | |
| 26 | 577 69 48-01 | GASKET | | 1 | |
| 27 | 521 51 59-01 | BOLT | | 2 | 29 |
| 28 | 593 00 14-01 | GUARD | | 1 | 29 |
| 29 | 593 29 95-01 | GUARD | | 1 | |



| Ref | Part No | Description | Remark | QTY KIT |
|-----|--------------|-------------|--------|---------|
| 1 | 577 14 54-01 | FRAME | | 1 |
| 2 | 576 56 22-01 | DAMPER | | 2 |
| 3 | 544 27 08-01 | SCREW | | 2 |
| 4 | 577 62 88-01 | SCREW | | 2 |
| 5 | 513 66 75-01 | NUT | | 2 |
| 7 | 576 57 92-01 | NET | | 1 |
| 8 | 513 66 67-01 | DAMPER | | 1 |
| 9 | 521 51 72-01 | BOLT | | 1 |
| 10 | 577 35 79-01 | WASHER | | 1 |
| 11 | 526 24 39-01 | CLIP | | 4 |
| 12 | 514 33 16-01 | RING | | 2 |

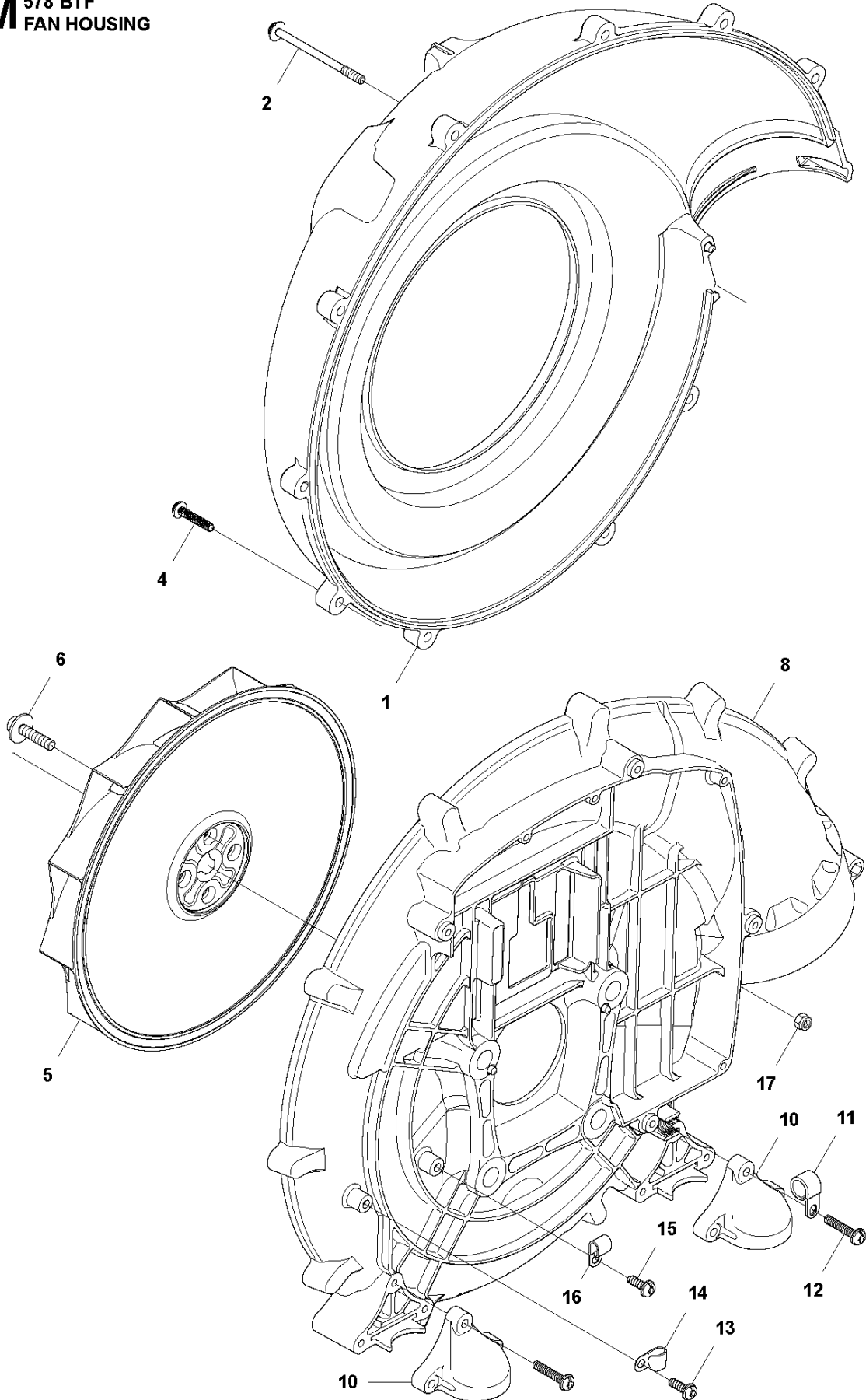


TUBE

578BTF, 2018-09

| Ref | Part No | Description | Remark | QTY | KIT |
|-----|--------------|-------------|---------------------|-----|-----|
| 1 | 595 00 57-01 | TUBE ASSY | s/n from - 2018-11 | 1 | 10 |
| 2 | 594 10 31-01 | PIPE | s/n from - 2018-11 | 1 | 10 |
| 3 | 576 56 48-01 | PIPE | s/n from - 2018-11 | 1 | 10 |
| 4 | 544 27 41-01 | CLAMP | | 2 | |
| 5 | 576 56 47-01 | HOSE | | 1 | |
| 6 | 544 27 60-01 | CLAMP | s/n from - 2018-11 | 2 | 10 |
| 7 | 576 57 83-01 | ELBOW | | 1 | |
| 8 | 505 17 98-01 | O-RING | | 1 | |
| 9 | 596 47 35-01 | HOLDER KIT | s/n from - 2018-11 | 1 | 10 |
| 10 | 596 39 72-01 | PIPE ASSY | s/n up to - 2018-11 | 1 | |

M 578 BTF
FAN HOUSING



| Ref | Part No | Description | Remark | QTY KIT |
|-----|--------------|-------------|--------|---------|
| 1 | 576 70 29-01 | VOLUTE | | 1 |
| 2 | 544 26 46-01 | SCREW | | 2 |
| 4 | 512 84 81-01 | SCREW | | 10 |
| 5 | 581 80 69-01 | FAN | | 1 |
| 6 | 576 56 16-01 | BOLT | | 4 |
| 8 | 576 70 28-01 | VOLUTE | | 1 |
| 10 | 576 57 94-01 | BRACKET | | 2 |
| 11 | 504 12 23-01 | CLAMP | | 1 |
| 12 | 512 84 81-01 | SCREW | | 6 |
| 13 | 512 84 79-01 | SCREW | | 1 |
| 14 | 521 52 51-01 | CLAMP | | 1 |
| 15 | 512 84 79-01 | SCREW | | 1 |
| 16 | 521 52 51-01 | CLAMP | | 1 |
| 17 | 514 18 39-01 | NUT | | 2 |

Illustrated Parts List - IPL Update



Product Name(s)

578BTF Blower (967307702)

Description of change

Optimized blow pipe and change pipe end to metal.
Improved handle lever side mounted changed to top mounted.

Comments

The new solution is not backward compatible.
On products produced before s/n 2018-11 the 596397201 Pipe kit (ref. 10) must be used, see image.

Introduced from

| Serial number / Date | Remark |
|----------------------|-----------------|
| 2018-11 | All parts below |
| | |
| | |

IPL updates

| Page title | Ref. no | New part no | Name | Excl. part no. | Remark |
|-------------------|---------|-------------|---------------|----------------|---------------------|
| HARNESS | 2 | 594992101 | BAND | 511802901 | s/n from – 2018-11 |
| THROTTLE CONTROLS | 19 | | SQUARE NUT | 503226501 | |
| THROTTLE CONTROLS | 20 | | HOLDER | 502245301 | |
| THROTTLE CONTROLS | 21 | | HANDLE HOLDER | 576579701 | |
| THROTTLE CONTROLS | 22 | | TURNING KNOB | 504800301 | |
| THROTTLE CONTROLS | 23 | | SCREW EHHM | 725234451 | |
| THROTTLE CONTROLS | 28 | 596391801 | LEVER | 576579601 | s/n from – 2018-11 |
| THROTTLE CONTROLS | 29 | | RING | 586894701 | |
| TUBE | 1 | 595005701 | END PIPE ASSY | 586894601 | s/n from – 2018-11 |
| TUBE | 2 | 594103101 | PIPE | 576581701 | s/n from – 2018-11 |
| TUBE | 3 | 576564801 | PIPE | 576581401 | s/n from – 2018-11 |
| TUBE | 6 | 544276001 | CLAMP | 502842801 | s/n from – 2018-11 |
| TUBE | 9 | 596473501 | HOLDER KIT | | s/n from – 2018-11 |
| TUBE | 10 | 596397201 | PIPE KIT | | s/n up to – 2018-11 |
| | | | | | |
| | | | | | |
| | | | | | |

Illustrated Parts List - IPL Update



Husqvarna
Group

