

ILLUSTRATED PARTS LIST

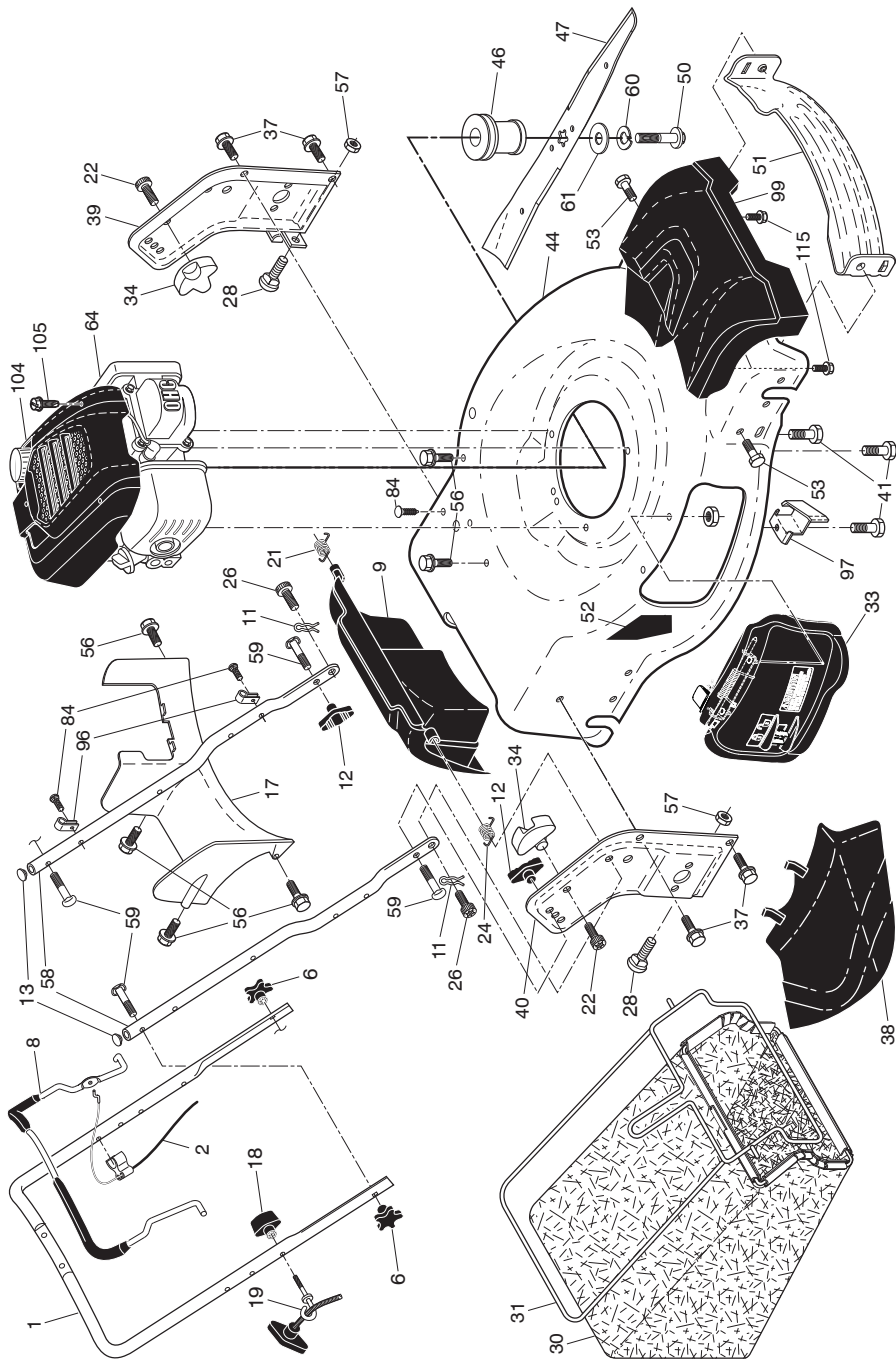


ROTARY LAWN MOWER

MODEL NUMBER: **LC 356V**

MFG. ID. NUMBER: **96141029105**

**HUSQVARNA ROTARY LAWN MOWER -- MODEL NUMBER LC 356V (MFG. ID. NO. 96141029105)**

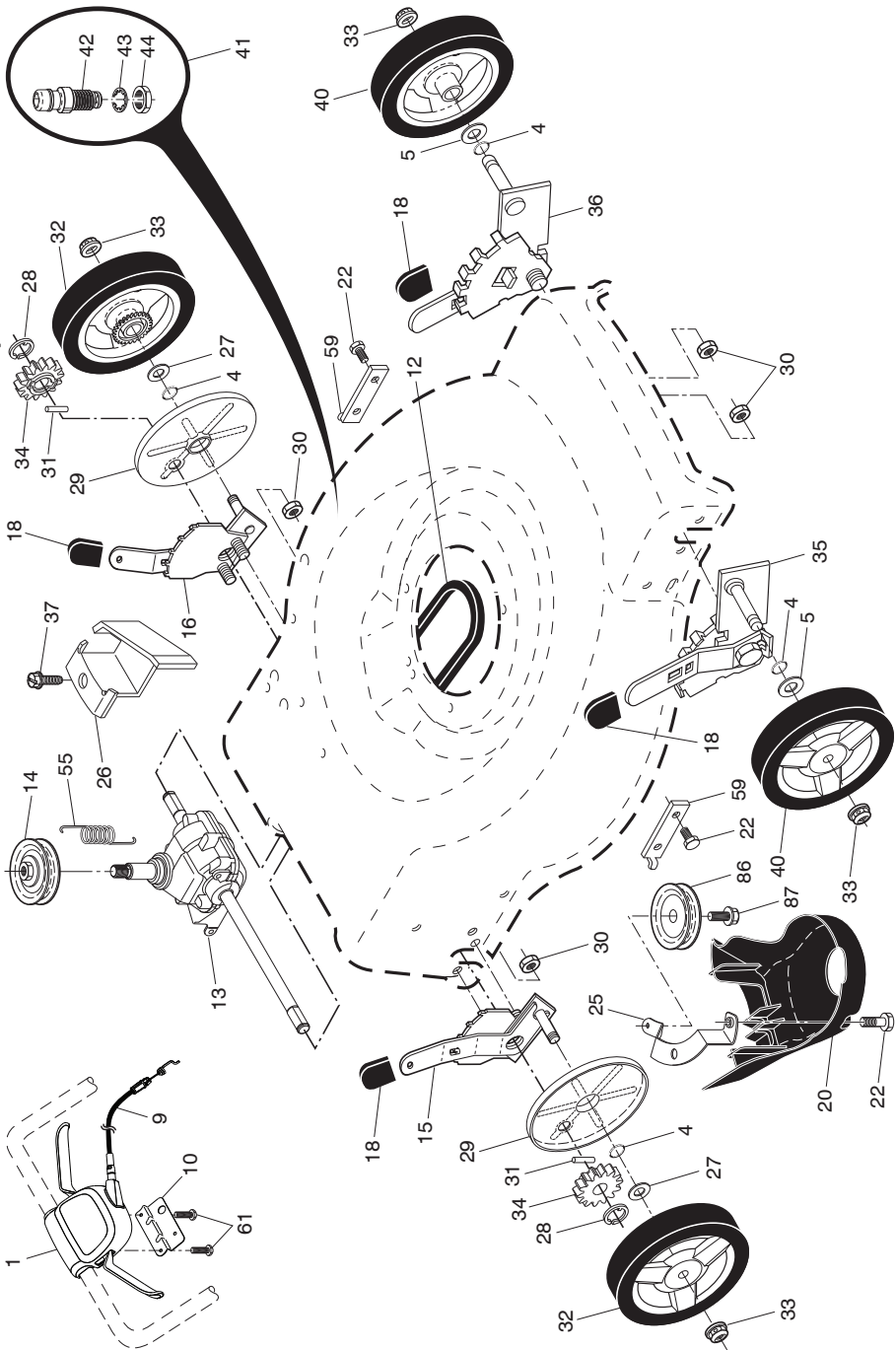


# HUSQVARNA ROTARY LAWN MOWER -- MODEL NUMBER LC 356V (MFG. ID. NO. 96141029105)

KEY NO.	PART NO.	DESCRIPTION	KEY NO.	PART NO.	DESCRIPTION	KEY NO.	PART NO.	DESCRIPTION
1	585 85 48-06	Upper Handle Assembly	38	532 42 61-29	Discharge Deflector	84	532 42 81-24	Fastener, Push
2	532 42 49-83	Cable, Engine Zone Control	39	585 90 07-03	Handle Bracket, LH	96	532 19 79-91	Clip, Cable
6	532 18 23-98	Handle Knob, Star	40	585 90 08-03	Handle Bracket, RH	97	581 11 53-02	Belt Keeper
8	587 68 93-02	Control Bar	41	532 15 04-06	Screw, Dogpoint	99	585 66 87-02	Front Shroud Assembly
9	532 43 13-91	Rear Door Assembly			3/8-16 x 1-1/8	104	580 29 00-01	Engine Shroud
11	532 42 55-75	Hairpin, Door/Handle Pivot	44	581 70 83-27	Kit, Lawn Mower Housing	105	580 76 87-01	Mounting Screw,
12	532 19 19-38	Handle Knob, Standard	46	581 85 15-01	Blade Adapter / Pulley			Engine Shroud
13	532 43 75-16	Plug, Lower Handle Bar	47	580 24 40-01	Blade, 22"	115	584 29 94-01	Screw
17	581 78 21-01	Rear Baffle	50	532 85 10-84	Screw, Machine, Flanged	--	532 42 38-49	Bag of Parts (Includes
18	581 91 26-01	T-Knob			Hex Head, with Nylon Patch,			Key Numbers 12 and 59)
19	581 90 21-01	Rope Guide			Grade 8, 3/8-24 x 1-1/8	--	115 96 57-20	Operator's Manual,
21	532 41 99-49	Spring, Rear Door, LH, Black	51	532 43 05-99	Front Baffle			European
22	532 14 18-41	Screw, Panhead, Torx #20	52	532 18 21-66	Decal, Danger	--	115 96 57-10	Operator's Manual,
24	532 41 99-48	Spring, Rear Door, RH, Grey	53	817 00 05-10	Screw			Scandinavian
26	532 41 99-45	Screw, Rear Door / Handle Pivot	56	817 41 13-12	Screw, Hex Washer Head #13 x 3/4	--	115 96 57-50	Operator's Manual,
								East Bloc
28	586 21 25-01	Bolt, Carriage 5/16-18 x 5/8	57	532 15 53-77	Nut, Hex	--	115 96 57-40	Operator's Manual,
30	580 94 34-05	Grassbag	58	585 90 82-03	Lower Handle			Baltic
31	585 05 47-02	Frame, Grass Catcher	59	532 19 15-74	Handle Bolt	--	115 96 57-53	Operator's Manual,
33	593 24 11-02	Mulcher Door Kit	64	---	Engine, Honda, Model No. GCV160-LAOS3DB			Ukranian / Turkish
34	532 43 81-34	Pivot Bracket			(Order parts from Honda)			
37	817 00 05-10	Screw, Hex Head 1/4-20						

**NOTE:** All component dimensions given in U.S. inches. 1 inch = 25.4 mm. **IMPORTANT:** Use only Original Equipment Manufacturer (O.E.M.) replacement parts. Failure to do so could be hazardous, damage your lawn mower and void your warranty.

**HUSQVARNA ROTARY LAWN MOWER -- MODEL NUMBER LC 356V (MFG. ID. NO. 96141029105)**



# HUSQVARNA ROTARY LAWN MOWER - - MODEL NUMBER LC 356V (MFG. ID. NO. 96141029105)

KEY NO.	PART NO.	DESCRIPTION	KEY NO.	PART NO.	DESCRIPTION
1	501 40 81-01	Drive Control Assembly (Includes Cable)	29	581 84 04-01	Cover, Dust, Wheel
4	532 19 74-80	O-Ring	30	532 19 17-30	Nut, Hex
5	532 08 83-48	Washer, Flat	31	532 40 48-45	Pawl, Drive
9	581 95 21-01	Cable, Drive	32	581 68 51-01	Wheel & Tire Assembly, Rear
10	587 24 93-02	Bracket	33	532 40 91-48	Nut, Flangelock 3/8-16
12	580 36 46-04	Belt, Drive	34	532 40 48-35	Pinion
13	581 68 08-01	Gear Case Assembly, Complete	35	532 43 78-72	Kit, Wheel Adjuster, Front, RH
14	586 96 30-01	Pulley, Drive	36	532 43 78-71	Kit, Wheel Adjuster, Front, LH
15	581 49 79-06	Wheel Adjuster, Rear, RH	37	532 16 34-09	Screw, Hi-Lo Thread
16	581 49 79-05	Wheel Adjuster, Rear, LH	40	532 41 31-83	Wheel & Tire Assembly, Front
18	532 70 10-37	Selector Knob	41	532 43 84-89	Kit, Water Washout Assembly
20	580 80 69-01	Debris Shield	42	532 43 49-94	Fitting, Water Washout
22	817 00 05-10	Bolt, Hex Head 5/16-18	43	532 41 55-85	Washer, Lock, Internal Tooth
25	581 31 38-02	Mounting Bracket, Debris Shield	44	532 41 55-86	Locknut, Hex, with O-Ring
26	581 11 53-02	Belt Keeper	55	581 35 13-01	Spring, Return
27	532 06 77-25	Washer	59	532 44 21-13	Support Bracket, Front Axle
28	812 00 00-58	E-Ring 7/16	61	532 18 16-98	Screw
			86	587 96 92-01	Pulley, Idler
			87	581 12 76-01	Screw

**NOTE:** All component dimensions given in U.S. inches. 1 inch = 25.4 mm. **IMPORTANT:** Use only Original Equipment Manufacturer (O.E.M.) replacement parts. Failure to do so could be hazardous, damage your lawn mower and void your warranty.