

ILLUSTRATED PARTS LIST

MODEL NUMBER ST 230P

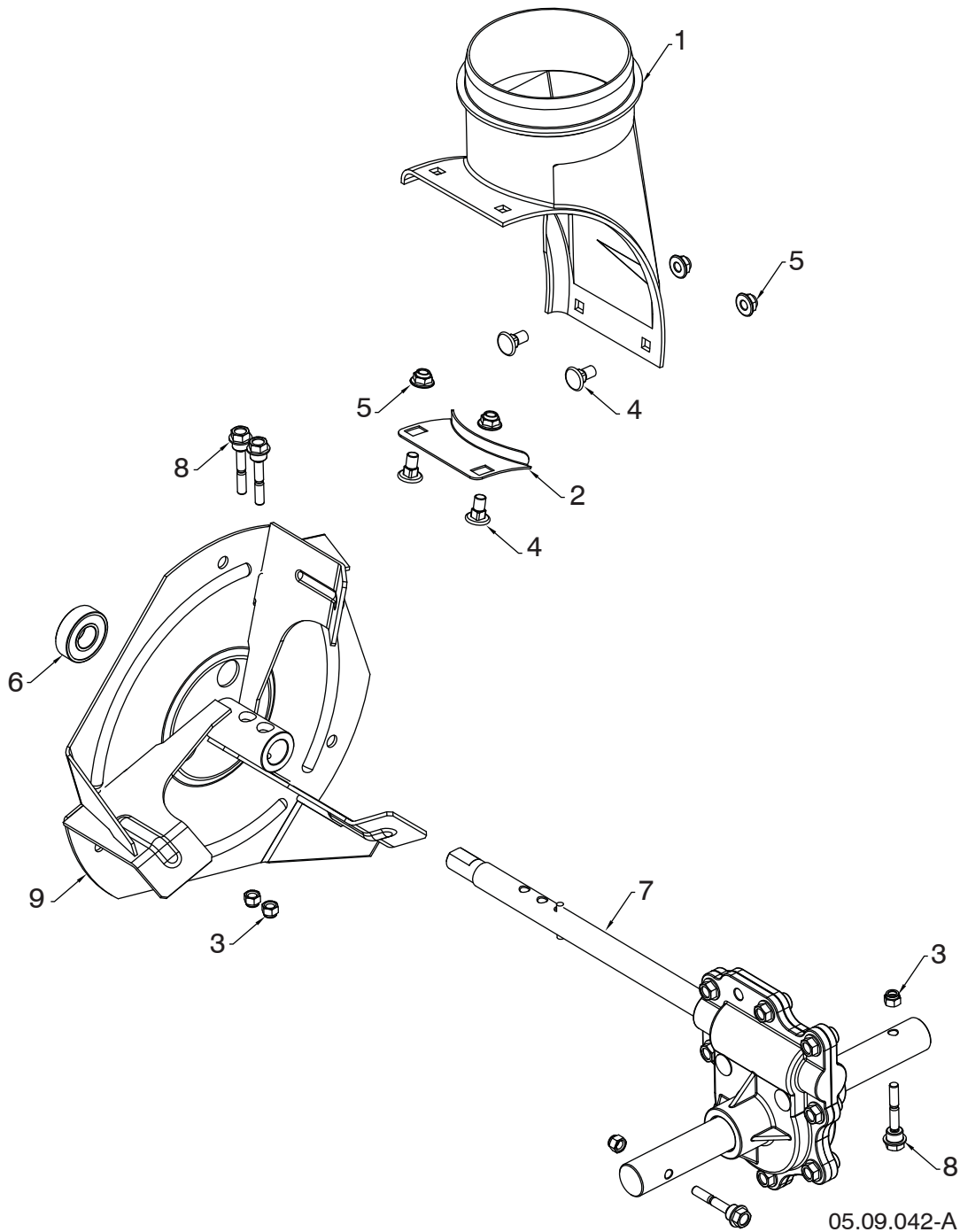
PRODUCT NUMBER 961 93 01-01

MFG. ID. NUMBER 96193010105

REPAIR PARTS

AUGER HOUSING / IMPELLER ASSEMBLY

SNOW THROWER - MODEL NO. ST 230P (96193010105), PRODUCT NO. 961 93 01-01



NOTE: All component dimensions given in U.S. inches. 1 inch = 25.4 mm
IMPORTANT: Use only Original Equipment Manufacturer (O.E.M.) replacement parts. Failure to do so could be hazardous, damage your snow thrower and void your warranty.

REPAIR PARTS**AUGER HOUSING / IMPELLER ASSEMBLY****SNOW THROWER - MODEL NO. ST 230P (96193010105), PRODUCT NO. 961 93 01-01**

| KEY NO. | PART NO. | DESCRIPTION |
|--------------------|---------------------|---------------------------------|
| 1 | 585 05 69-01 | CHUTE DISCAHRGE BASE |
| 2 | 532 18 40-95 | BRACKET CORNER DISCHARGE YZP |
| 3 | 873 80 04-00 | NUT NYLOCK 1/4 - 20 |
| 4 | 585 69 12-01 | BOLT CAR WAF BLK 5/16-18 X .488 |
| 5 | 585 69 13-01 | NUT HEX FLANGE 5/16-18 NYLOCK |
| 6 | 532 19 87-91 | BEARING 1501389 BALL |
| 7 | 582 86 76-01 | TRANSMISSION GEARBOX ALUM DD |
| 8 | 588 07 75-01 | BOLT 1/4-20 X 1-13/16 SHEAR |
| 9 | 586 60 72-02 | IMPELLER STEEL SNOW 479 |

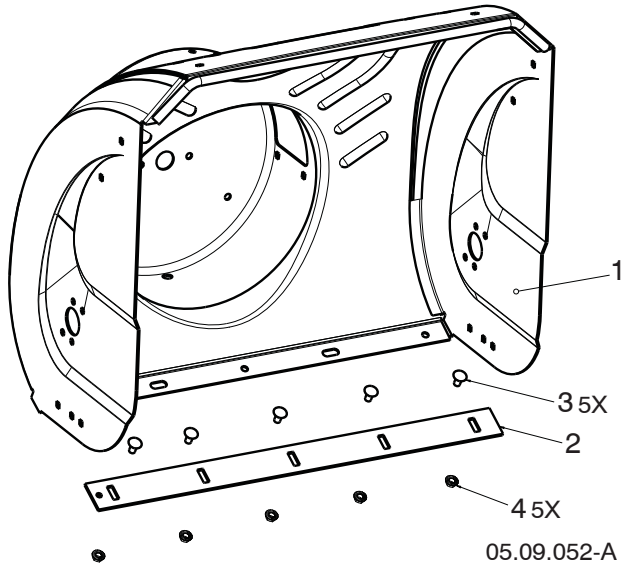
NOTE: All component dimensions given in U.S. inches. 1 inch = 25.4 mm

IMPORTANT: Use only Original Equipment Manufacturer (O.E.M.) replacement parts.
Failure to do so could be hazardous, damage your snow thrower and void your warranty.

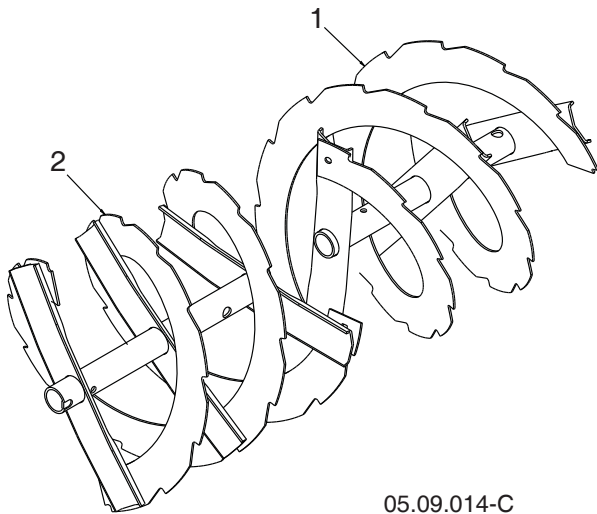
REPAIR PARTS

AUGER HOUSING / IMPELLER ASSEMBLY

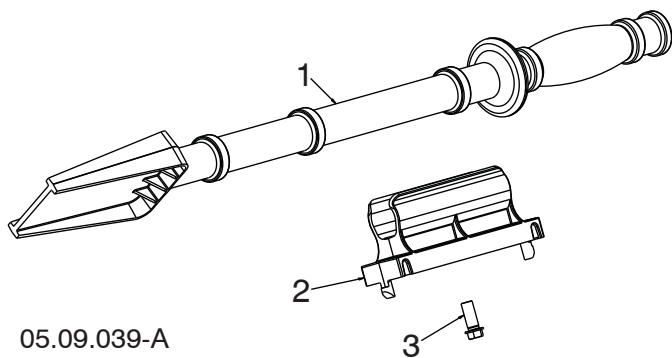
SNOW THROWER - MODEL NO. ST 230P (96193010105), PRODUCT NO. 961 93 01-01



| KEY NO. | PART NO. | DESCRIPTION |
|---------|--------------|----------------------------------|
| 1 | 581 70 83-91 | AUGER HOUSING |
| 2 | 532 41 62-70 | SCRAPER BAR |
| 3 | 872 27 05-05 | CARRIAGE BOLT 5/16-18 X .625 GR5 |
| 4 | 532 15 53-77 | NUT 5/16-18 |



| KEY NO. | PART NO. | DESCRIPTION |
|---------|--------------|----------------------|
| 1 | 532 42 11-24 | AUGER ASSEMBLY 30 LH |
| 2 | 532 42 11-25 | AUGER ASSEMBLY 30 RH |



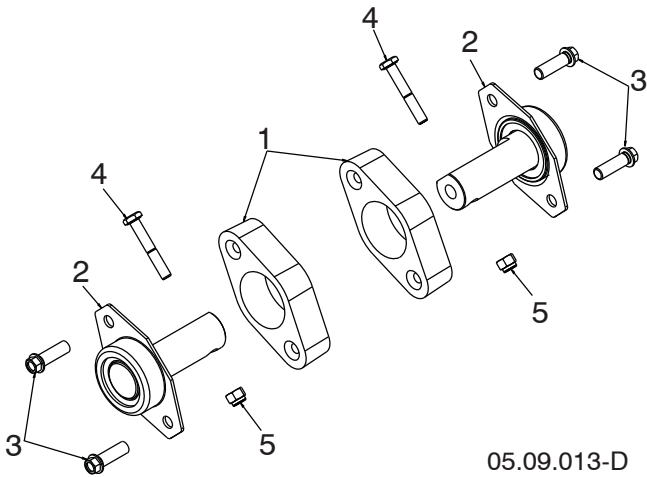
| KEY NO. | PART NO. | DESCRIPTION |
|---------|--------------|------------------------------|
| 1 | 532 19 21-99 | TOOL CLEANOUT |
| 2 | 532 40 54-00 | CLIP CLEANOUT TOOL |
| 3 | 532 19 41-89 | SCREW HEX WASHER 13-16 X 5/8 |

NOTE: All component dimensions given in U.S. inches. 1 inch = 25.4 mm
IMPORTANT: Use only Original Equipment Manufacturer (O.E.M.) replacement parts. Failure to do so could be hazardous, damage your snow thrower and void your warranty.

REPAIR PARTS

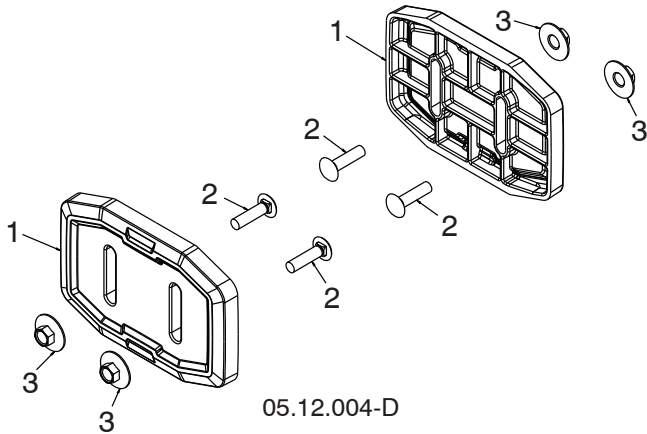
AUGER HOUSING / IMPELLER ASSEMBLY

SNOW THROWER - MODEL NO. ST 230P (96193010105), PRODUCT NO. 961 93 01-01



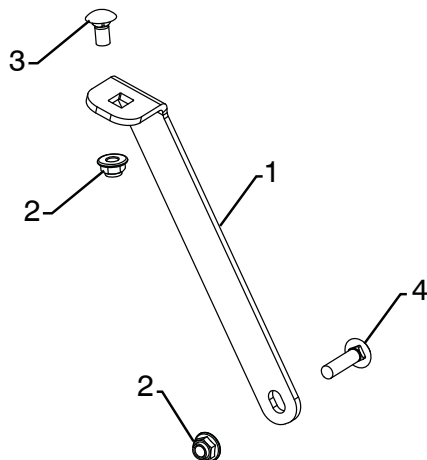
05.09.013-D

| KEY NO. | PART NO. | DESCRIPTION |
|---------|--------------|--------------------------------|
| 1 | 532 18 81-70 | PLASTIC RETAINER |
| 2 | 532 42 77-62 | AUGER BALL BEARING |
| 3 | 584 29 94-01 | SCREW HI-LO 5/16-14 X 1.00 BLK |
| 4 | 874 78 04-26 | BOLT SHEAR HEX HD 1/4-20 |
| 5 | 873 80 04-00 | NUT 1/4-20 |



05.12.004-D

| KEY NO. | PART NO. | DESCRIPTION |
|---------|--------------|------------------------------|
| 1 | 583 83 88-01 | SKID SHOW UHMW |
| 2 | 585 80 29-01 | BOLT CARR BLK 5/16-18 X 1.25 |
| 3 | 585 80 28-01 | NUT HEX 5/16-18 LRG FLG |



05.09.049-A

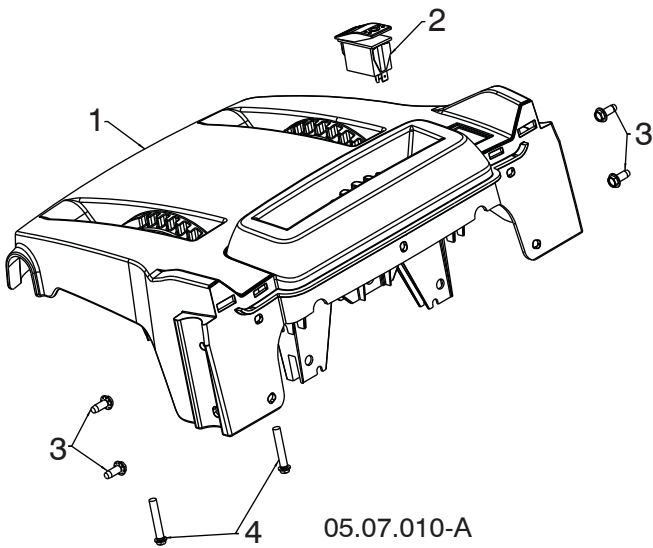
| KEY NO. | PART NO. | DESCRIPTION |
|---------|--------------|-------------------------------------|
| 1 | 589 32 30-02 | SUPPORT GEARBOX LS |
| 2 | 585 69 13-01 | NUT HEX FLG NYLOCK BLK 5/16-18 |
| 3 | 585 83 20-01 | BOLT CARRIAGE BLK 5/16-18 X 5/8 BLK |
| 4 | 872 11 05-10 | BOLT CARRIAGE 5/16-18 X 1-1/4 |

NOTE: All component dimensions given in U.S. inches. 1 inch = 25.4 mm
IMPORTANT: Use only Original Equipment Manufacturer (O.E.M.) replacement parts. Failure to do so could be hazardous, damage your snow thrower and void your warranty.

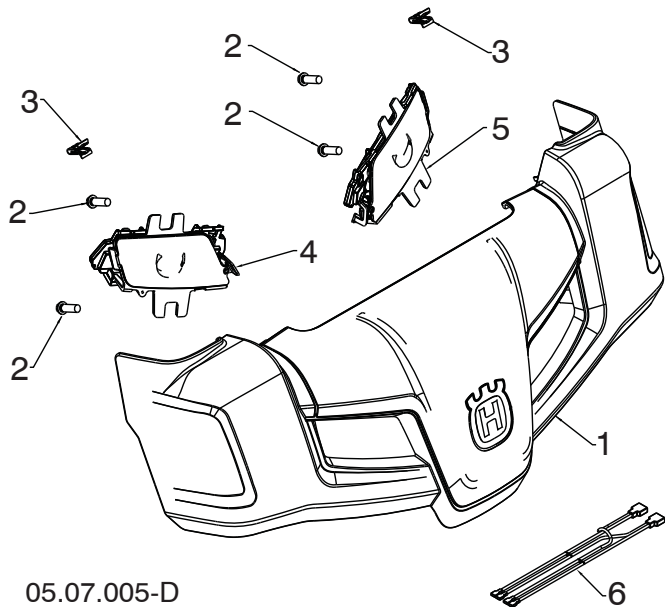
REPAIR PARTS

CONTROL PANEL / DISCHARGE CHUTE

SNOW THROWER - MODEL NO. ST 230P (96193010105), PRODUCT NO. 961 93 01-01



| KEY NO. | PART NO. | DESCRIPTION |
|---------|--------------|-------------------------------------|
| 1 | 581 13 12-04 | CONSOLE BASE MULTICONT GRAY-MS498 |
| 2 | 585 80 50-01 | SWITCH GRIP HEATED BLACK |
| 3 | 817 06 04-10 | SCREW TA SEMI GIMLE 1/4-20 X .62 |
| 4 | 581 32 95-01 | SCREW HEX WASHER HI-LO 13-16 X 1.50 |



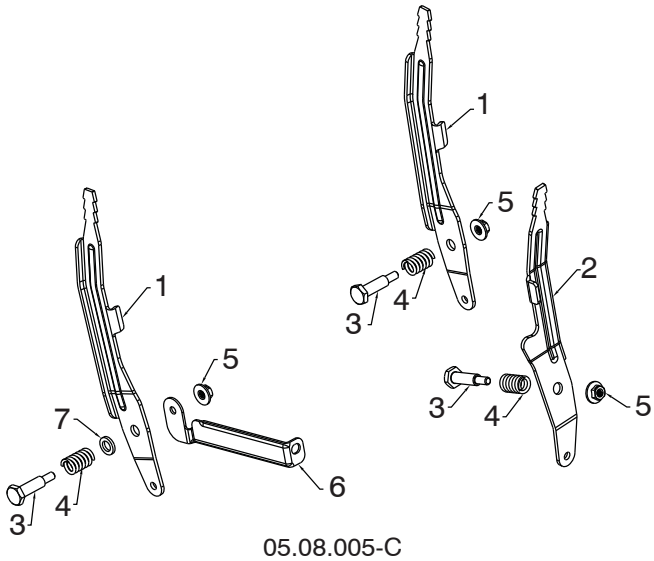
| KEY NO. | PART NO. | DESCRIPTION |
|---------|--------------|-----------------------------|
| 1 | 581 12 79-01 | HUSQVARNA CONSOLE COVER ASM |
| 2 | 532 19 41-89 | SCREW HI-LO 13-16 X 5/8 |
| 3 | 581 92 87-01 | CLIP PANEL |
| 4 | 586 72 35-01 | LIGHT ASM LED HUSQ RH |
| 5 | 586 72 36-01 | LIGHT ASM LED HUSQ LH |
| 6 | 585 86 83-01 | WIRE HARNESS LIGHT JUMPER |

NOTE: All component dimensions given in U.S. inches. 1 inch = 25.4 mm
IMPORTANT: Use only Original Equipment Manufacturer (O.E.M.) replacement parts. Failure to do so could be hazardous, damage your snow thrower and void your warranty.

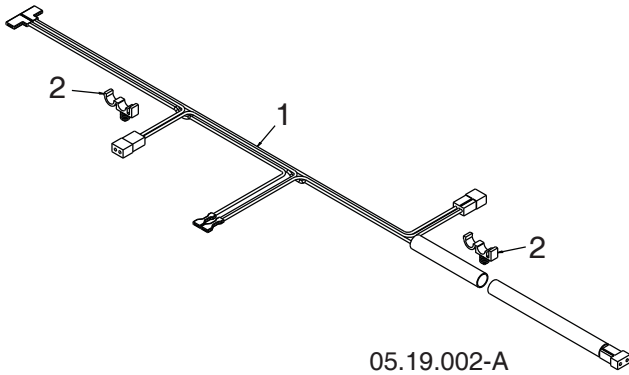
REPAIR PARTS

CONTROL PANEL / DISCHARGE CHUTE

SNOW THROWER - MODEL NO. ST 230P (96193010105), PRODUCT NO. 961 93 01-01



| KEY NO. | PART NO. | DESCRIPTION |
|---------|--------------|-------------------------------------|
| 1 | 581 12 39-02 | LEVER CONTROL SPEED/DEFL |
| 2 | 581 24 16-02 | LEVER CONTROL CHUTE ROT |
| 3 | 581 32 97-01 | BOLT SHOULDER 1/4-20 |
| 4 | 581 32 96-01 | SPRING COMPRESSION |
| 5 | 586 66 89-01 | NUT FL LOCK 1/4-20 |
| 6 | 584 46 84-02 | BRACE SUPPORT SPEED |
| 7 | 587 03 13-01 | WASHER .625 X .375 X .094 NYLON 6/6 |



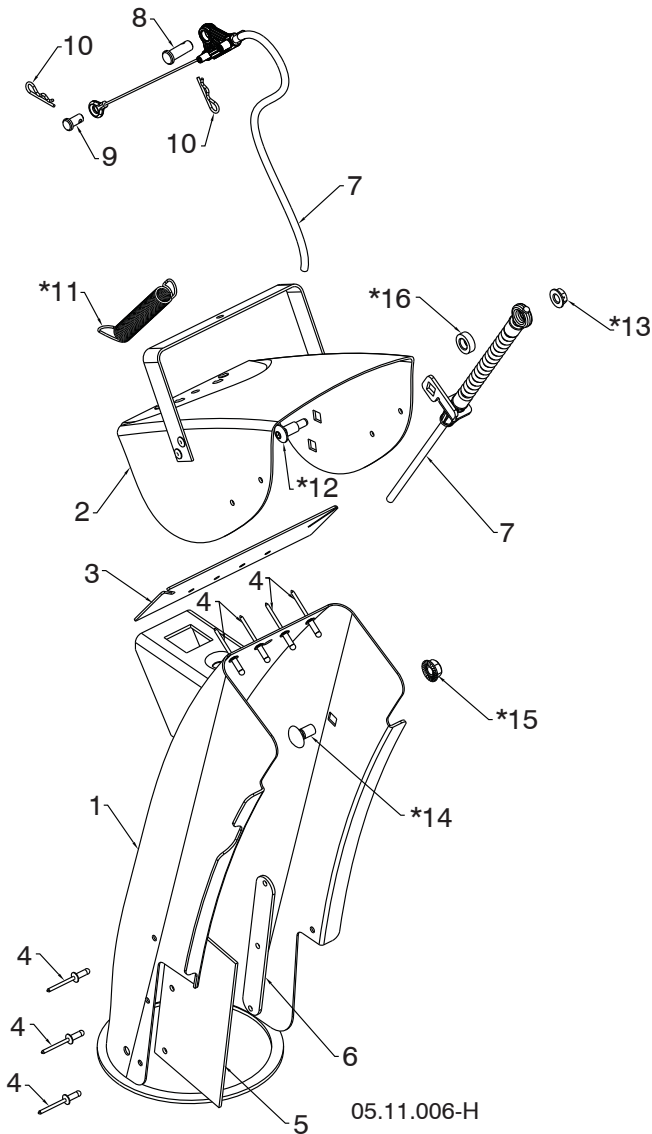
| KEY NO. | PART NO. | DESCRIPTION |
|---------|--------------|----------------------------|
| 1 | 587 53 57-01 | HARNES WIRE LIGHTS & GRIPS |
| 2 | 532 14 50-06 | WIRE RETAINER |

NOTE: All component dimensions given in U.S. inches. 1 inch = 25.4 mm
IMPORTANT: Use only Original Equipment Manufacturer (O.E.M.) replacement parts. Failure to do so could be hazardous, damage your snow thrower and void your warranty.

REPAIR PARTS

CONTROL PANEL / DISCHARGE CHUTE

SNOW THROWER - MODEL NO. ST 230P (96193010105), PRODUCT NO. 961 93 01-01



| KEY NO. | PART NO. | DESCRIPTION |
|---------|--------------|--|
| 1 | 588 07 78-02 | CHUTE WELDMENT ASSEMBLY (INCLUDES 1-6) |
| 2 | ----- | RIVETED DEFLECTOR ASSEMBLY |
| 3 | ----- | DEFLECTOR SEAL |
| 4 | ----- | POP RIVET |
| 5 | ----- | CHUTE SNOW SHIELD |
| 6 | ----- | SHIELD STRAP RETAINER |
| 7 | 590 58 70-01 | CONTROL CHUTE DEFLECTOR BOWDEN |
| 8 | 581 32 94-01 | PIN CLEVIS 5/16 X .875 |
| 9 | 585 80 83-01 | PIN CLEVIS 1/4 X .312 |
| 10 | 532 42 33-03 | HAIRPIN RETAINER |
| *11 | 532 18 45-05 | DEFLECTOR SPRING |
| *12 | 501 41 73-01 | CARRIAGE BOLT 1/4-20 X .544 |
| *13 | 585 69 14-01 | NUT 1/4-20 |
| *14 | 585 83 20-01 | CARRIAGE BOLT 3/8-16 X .625 |
| *15 | 873 97 05-00 | NUT 5/16-18 |
| *16 | 501 41 74-01 | WASHER .362 X .625 X .205 NYLON |

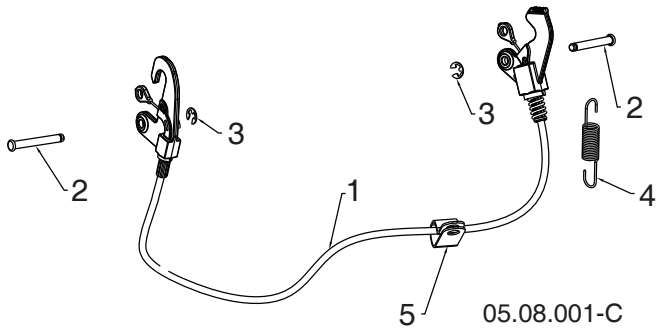
NOTE: ALL ITEMS MARKED WITH AN * ARE PROVIDED IN THE BAG OF ITEMS SHIPPED LOOSE WITH PRODUCT.

NOTE: All component dimensions given in U.S. inches. 1 inch = 25.4 mm
IMPORTANT: Use only Original Equipment Manufacturer (O.E.M.) replacement parts. Failure to do so could be hazardous, damage your snow thrower and void your warranty.

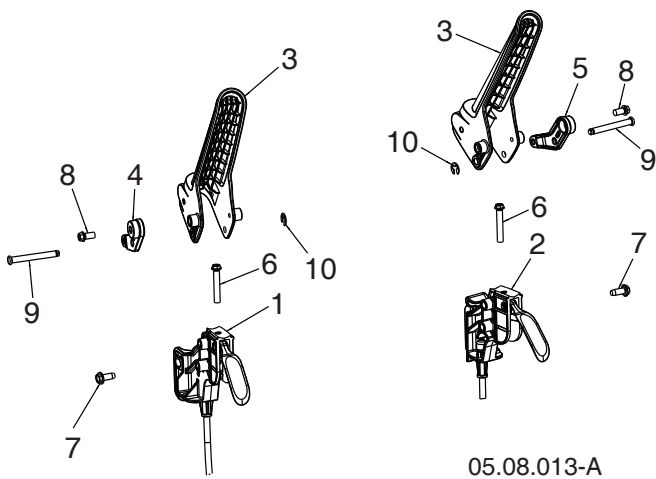
REPAIR PARTS

CONTROL PANEL / DISCHARGE CHUTE

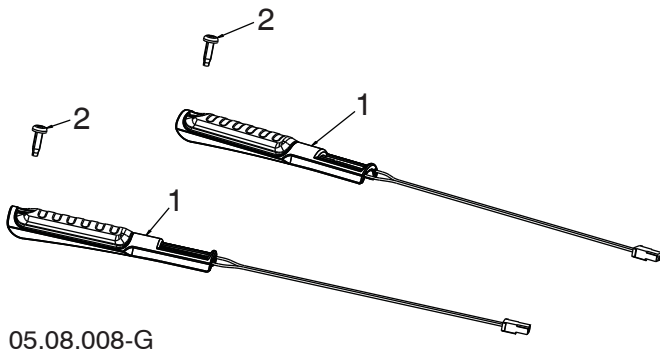
SNOW THROWER - MODEL NO. ST 230P (96193010105), PRODUCT NO. 961 93 01-01



| KEY NO. | PART NO. | DESCRIPTION |
|---------|--------------|------------------|
| 1 | 593 85 34-01 | CABLE INTERLOCK |
| 2 | 532 43 17-62 | PIN GROOVED |
| 3 | 812 00 00-14 | E-RING |
| 4 | 581 15 12-01 | SPRING RETURN |
| 5 | 532 19 79-91 | CLIP CABLE BLACK |



| KEY NO. | PART NO. | DESCRIPTION |
|---------|--------------|--------------------------|
| 1 | 588 26 39-01 | CABLE, POWER STEER - LHS |
| 2 | 588 26 39-02 | CABLE, POWER STEER - RHS |
| 3 | 587 46 30-01 | LEVER, CONTROL |
| 4 | 587 73 97-01 | LEVER, CABLE ARM - LHS |
| 5 | 587 73 97-02 | LEVER, CABLE ARM - RHS |
| 6 | 581 32 95-01 | SCREW HI-LO 13-16 X 1.50 |
| 7 | 817 06 04-10 | SCREW 1/4-20 X .625 |
| 8 | 817 41 13-08 | SCREW HI-LW 13-16 X .500 |
| 9 | 588 14 77-01 | PIN, GROOVED |
| 10 | 812 00 00-14 | E-RING |



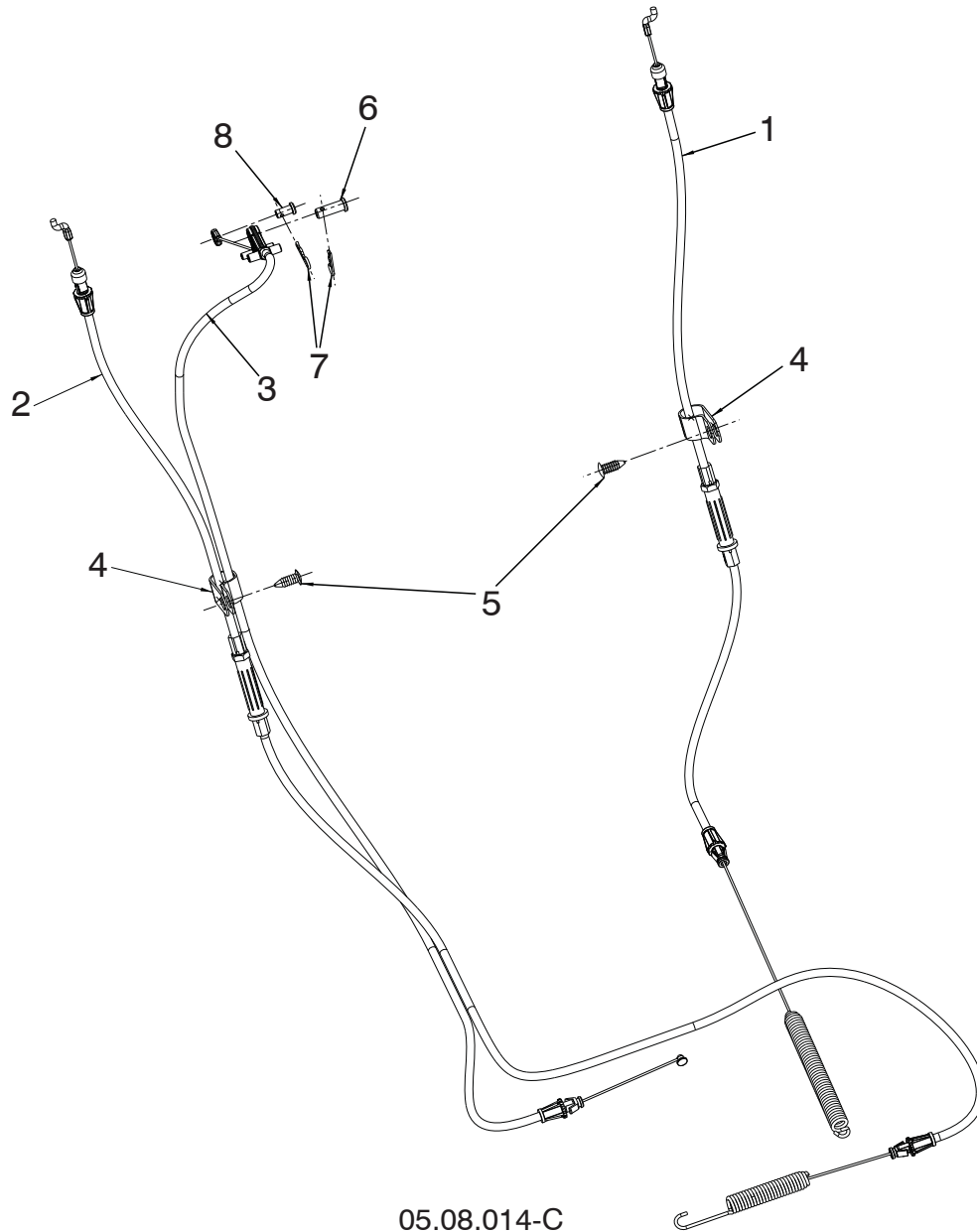
| KEY NO. | PART NO. | DESCRIPTION |
|---------|--------------|-----------------------------------|
| 1 | 590 49 36-01 | GRIP, HEATED, DSST SHO |
| 2 | 532 44 22-50 | SCREW PAN HD TORX 1/4-20 X .75 |

NOTE: All component dimensions given in U.S. inches. 1 inch = 25.4 mm
IMPORTANT: Use only Original Equipment Manufacturer (O.E.M.) replacement parts.
 Failure to do so could be hazardous, damage your snow thrower and void your warranty.

REPAIR PARTS

CONTROL PANEL / DISCHARGE CHUTE

SNOW THROWER - MODEL NO. ST 230P (96193010105), PRODUCT NO. 961 93 01-01



05.08.014-C

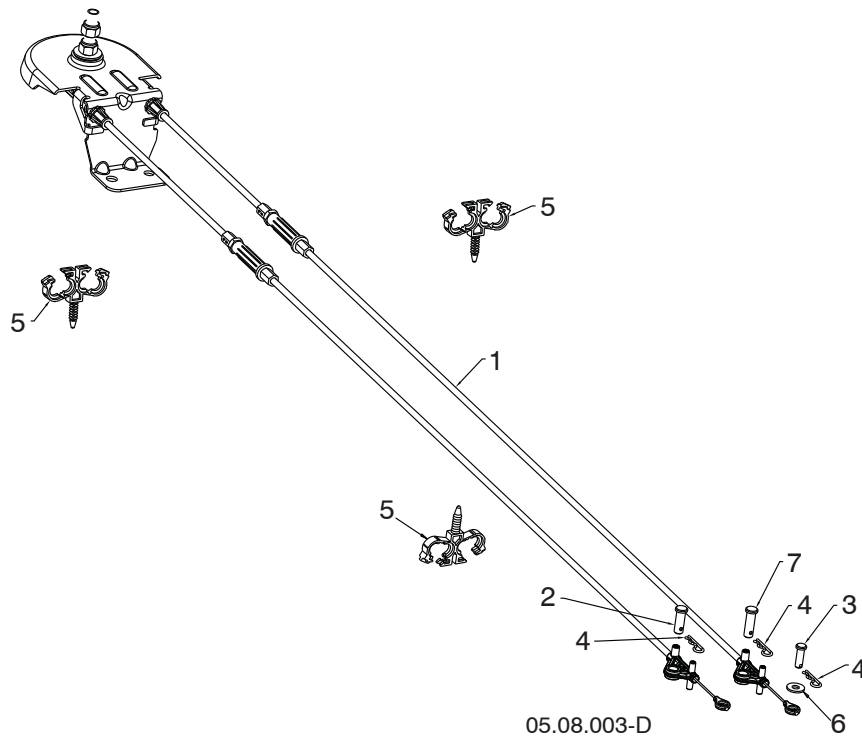
| KEY NO. | PART NO. | DESCRIPTION |
|---------|--------------|---------------------|
| 1 | 582 51 90-02 | CABLE CONTROL DRIVE |
| 2 | 588 11 38-02 | CABLE CONTROL AUGER |
| 3 | 588 12 23-01 | CABLE CONTROL SPEED |
| 4 | 532 19 79-91 | CLIP CABLE |
| 5 | 532 42 81-24 | FASTENER PUSH .250 |
| 6 | 581 32 94-01 | PIN CLEVIS 5/16 |
| 7 | 532 42 33-03 | HAIRPIN |
| 8 | 585 80 83-01 | PIN CLEVIS 1/4 |

NOTE: All component dimensions given in U.S. inches. 1 inch = 25.4 mm
IMPORTANT: Use only Original Equipment Manufacturer (O.E.M.) replacement parts. Failure to do so could be hazardous, damage your snow thrower and void your warranty.

REPAIR PARTS

CONTROL PANEL / DISCHARGE CHUTE

SNOW THROWER - MODEL NO. ST 230P (96193010105), PRODUCT NO. 961 93 01-01



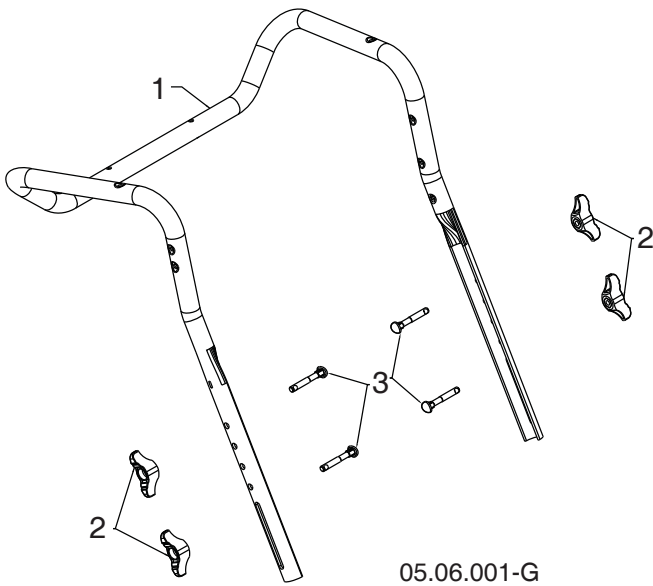
| KEY NO. | PART NO. | DESCRIPTION |
|---------|--------------|-----------------------|
| 1 | 581 68 03-01 | CABLE ROTATOR ASM |
| 2 | 581 32 94-01 | PIN CLEVIS 5/16 X 7/8 |
| 3 | 877 10 08-12 | PIN CLEVIS 1/4 X 3/4 |
| 4 | 532 42 33-03 | HAIRPIN SOFT ZINC |
| 5 | 584 65 22-01 | CLIP CONDUIT DOUBLE |
| 6 | 586 68 21-01 | WASHER |
| 7 | 587 13 08-01 | PIN CLEVIS 5/16 X 1 |

NOTE: All component dimensions given in U.S. inches. 1 inch = 25.4 mm
IMPORTANT: Use only Original Equipment Manufacturer (O.E.M.) replacement parts. Failure to do so could be hazardous, damage your snow thrower and void your warranty.

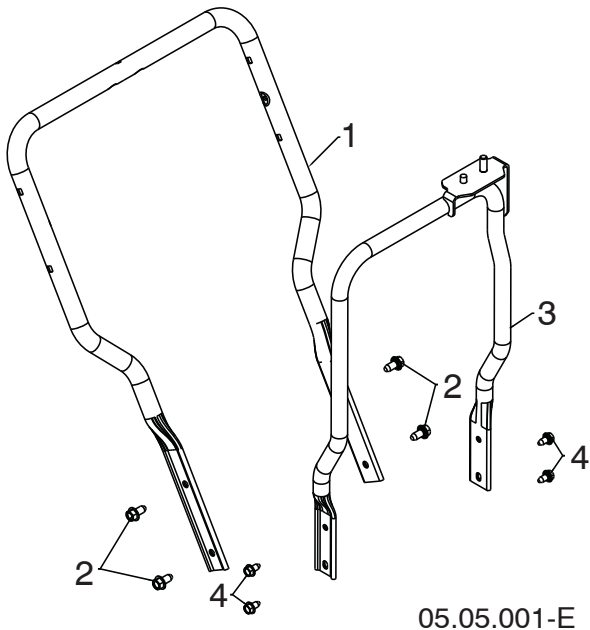
REPAIR PARTS

HANDLES

SNOW THROWER - MODEL NO. ST 230P (96193010105), PRODUCT NO. 961 93 01-01



| KEY NO. | PART NO. | DESCRIPTION |
|---------|--------------|---|
| 1 | 588 16 08-03 | UPPER HANDLE |
| 2 | 532 19 19-38 | HANDLE KNOB STD BLACK |
| 3 | 588 05 99-01 | SCREW 5/16-18 X 2.25 CONCAVE HEAD WITH PATCH |



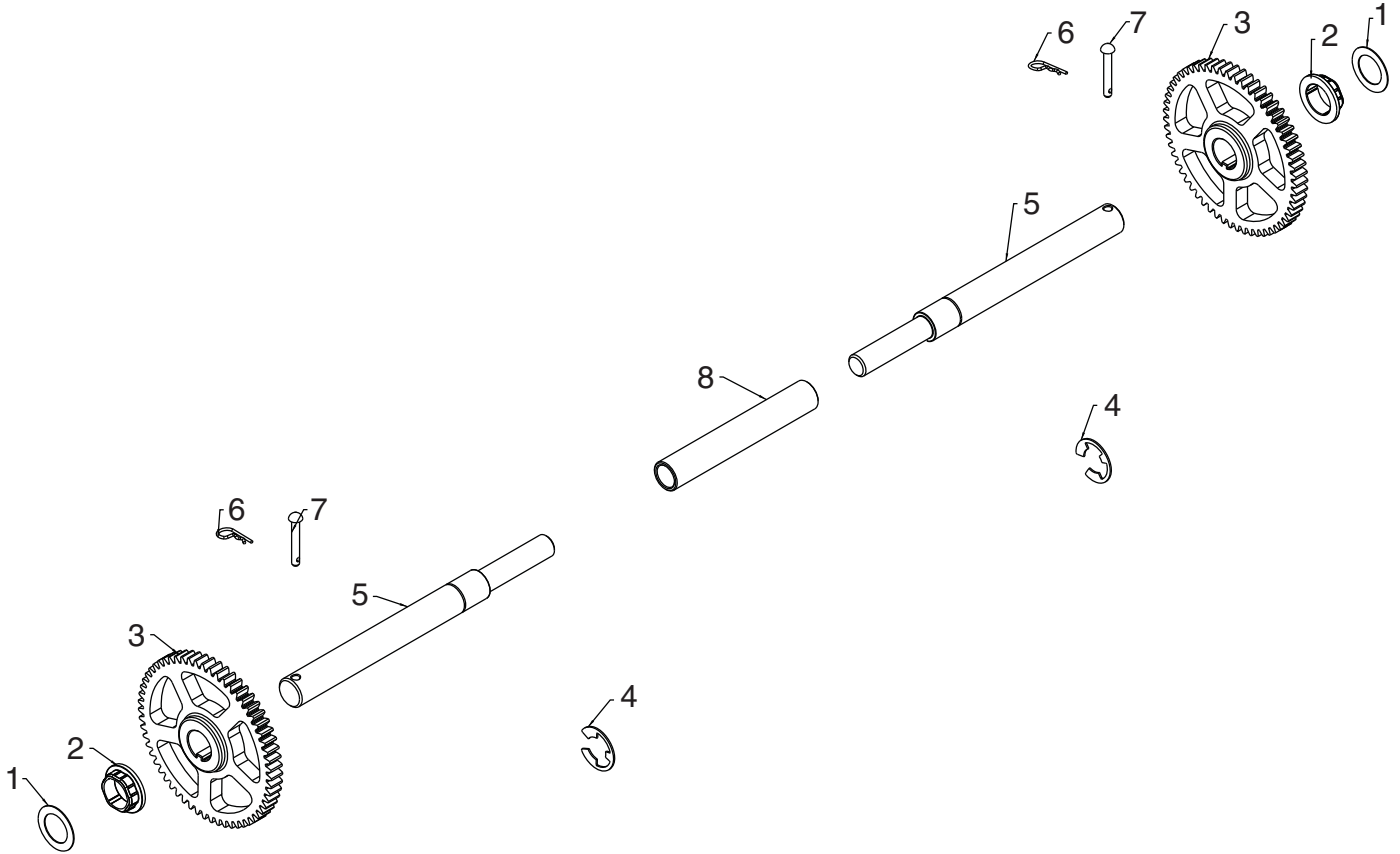
| KEY NO. | PART NO. | DESCRIPTION |
|---------|--------------|-----------------------------------|
| 1 | 588 67 21-03 | LOWER HANDLE |
| 2 | 817 00 06-12 | SCREW HEX WASH HD 3/8-16 X .75 |
| 3 | 589 26 45-04 | CHUTE ROTATOR SUPPORT ASM |
| 4 | 817 00 05-10 | BOLT HEX 5/16-18 |

NOTE: All component dimensions given in U.S. inches. 1 inch = 25.4 mm
IMPORTANT: Use only Original Equipment Manufacturer (O.E.M.) replacement parts.
 Failure to do so could be hazardous, damage your snow thrower and void your warranty.

REPAIR PARTS

DRIVE

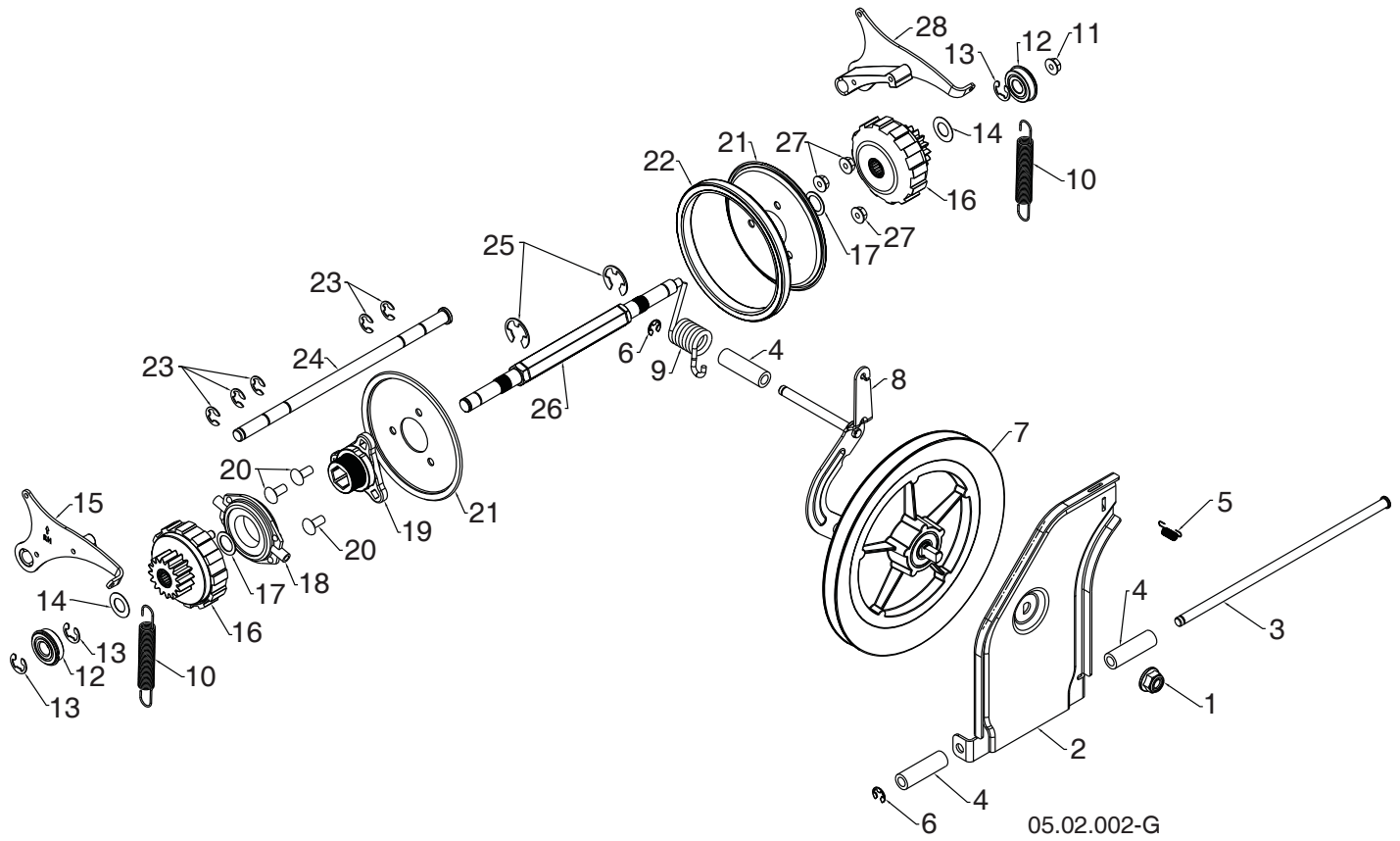
SNOW THROWER - MODEL NO. ST 230P (96193010105), PRODUCT NO. 961 93 01-01



05.03.002-B

| KEY NO. | PART NO. | DESCRIPTION |
|---------|--------------|-----------------------------|
| 1 | 532 44 49-49 | WASHER 1.00 |
| 2 | 587 97 89-01 | BUSHING HEX 1 SHAFT |
| 3 | 588 51 86-01 | GEAR 59T DRIVEN |
| 4 | 812 00 00-53 | RETAINING RING |
| 5 | 580 75 26-01 | AXLE SHAFT SPLIT |
| 6 | 532 12 47-88 | RETAINER SPRING 1 ZINC |
| 7 | 532 17 12-71 | RIVET RD HD DRILLED 1/4 DIA |
| 8 | 580 75 25-01 | AXLE SLEEVE |

NOTE: All component dimensions given in U.S. inches. 1 inch = 25.4 mm
IMPORTANT: Use only Original Equipment Manufacturer (O.E.M.) replacement parts.
 Failure to do so could be hazardous, damage your snow thrower and void your warranty.



NOTE: All component dimensions given in U.S. inches. 1 inch = 25.4 mm
IMPORTANT: Use only Original Equipment Manufacturer (O.E.M.) replacement parts.
 Failure to do so could be hazardous, damage your snow thrower and void your warranty.

SNOW THROWER - MODEL NO. **ST 230P** (96193010105), PRODUCT NO. 961 93 01-01

| KEY NO. | PART NO. | DESCRIPTION |
|---------|--------------|---------------------------------------|
| 1 | 521 99 11-01 | NUT HEX FLANGE LK 1/2-13 |
| 2 | 587 70 34-02 | SWING PLATE FRICTION PULL |
| 3 | 581 12 30-01 | ROD TIP PLATE |
| 4 | 581 73 27-01 | SPACER DRIVE |
| 5 | 532 19 38-85 | LATCH SPRING |
| 6 | 812 00 00-07 | E-RING RETAINER |
| 7 | 581 32 84-01 | FRICTION DISC COMBO PULLEY |
| 8 | 587 19 34-03 | BRACKET YOKE ASSEMBLY |
| 9 | 581 31 53-01 | SPRING TORSION DRIVE |
| 10 | 585 26 38-01 | EXTENSION SPRING |
| 11 | 585 69 15-01 | NUT HEX FLANGE LOCK 5/16-18 |
| 12 | 580 75 62-01 | BEARING 9/16 I.D. 1622-2RSNR |
| 13 | 580 75 61-02 | RETAINING RING 1622-2RSNR |
| 14 | 580 75 13-01 | WASHER FLAT .59 I.D. X 1.065 X 25 GA |
| 15 | 580 75 66-01 | PAWL ASM RH |
| 16 | 580 75 60-01 | GEAR ASM PLANETARY |
| 17 | 580 75 63-01 | WASHER FLAT .6875 I.D. X 1.00 X 21 GA |
| 18 | 532 17 53-44 | TRUNNION BEARING ASM |
| 19 | 581 09 09-01 | HUB RUBBER WHEEL |
| 20 | 872 11 05-06 | BOLT CARRIAGE 5/16-18 X .75 |
| 21 | 581 09 10-02 | PLATE RUBBER WHEEL |
| 22 | 581 09 11-01 | RING RUBBER WHEEL |
| 23 | 586 64 43-01 | E-RING |
| 24 | 580 75 51-01 | ROD PAWL |
| 25 | 812 00 00-22 | E-RING |
| 26 | 580 75 24-01 | SHAFT REDUCTION PWR STR |
| 27 | 532 75 11-53 | NUT HEX FLANGE LK 5/16-18 |
| 28 | 580 75 67-01 | PAWL ASM LH |

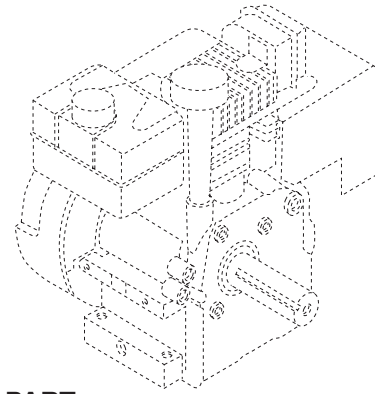
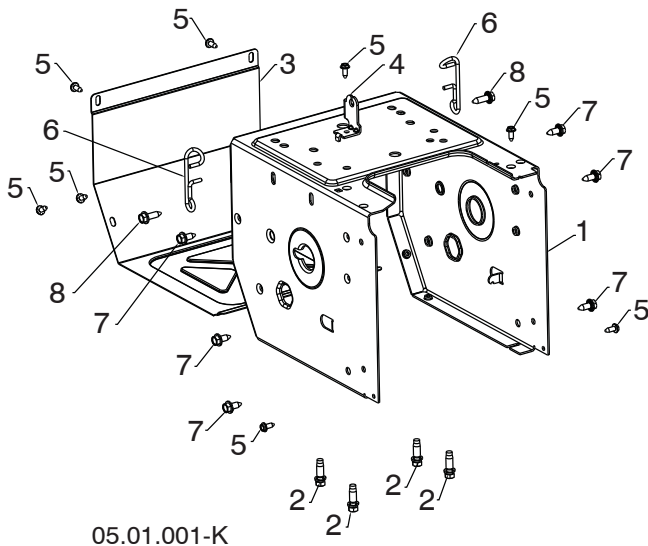
NOTE: All component dimensions given in U.S. inches. 1 inch = 25.4 mm

IMPORTANT: Use only Original Equipment Manufacturer (O.E.M.) replacement parts. Failure to do so could be hazardous, damage your snow thrower and void your warranty.

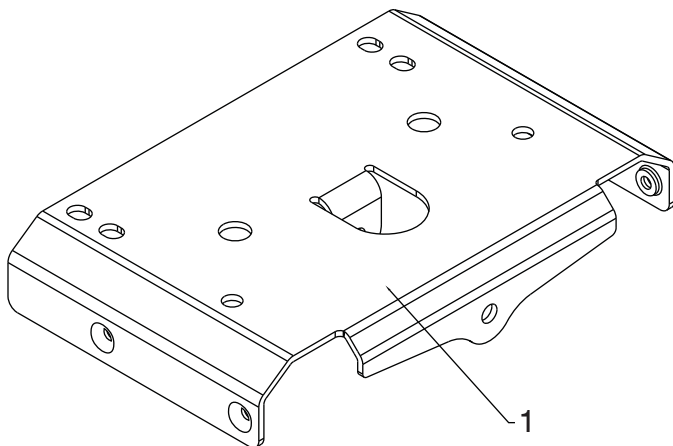
REPAIR PARTS

CHASSIS / ENGINE / PULLEYS

SNOW THROWER - MODEL NO. ST 230P (96193010105), PRODUCT NO. 961 93 01-01



| KEY NO. | PART NO. | DESCRIPTION |
|---------|--------------|--|
| -- | 580 42 61-07 | COMPLETE LCT ENGINE PW2HK18850178E |
| 1 | 589 26 47-05 | FRAME |
| 2 | 532 15 04-06 | ENGINE BOLT 3/8-16 X 1.280 DOGPOINT |
| 3 | 580 83 95-05 | FRAME COVER |
| 4 | 501 06 04-03 | SHIFTER BRACKET |
| 5 | 582 90 69-01 | SCREW HEX WASHER 1/4-20 X .625 |
| 6 | 588 95 45-01 | WIREFORM SUPPORT CABLE |
| 7 | 532 42 88-67 | BOLT HEXHD WASHER 5/16-18 X .750 |
| 8 | 585 21 75-01 | BOLT HEXHD WASHER 5/16-18 X 1.000 |



| KEY NO. | PART NO. | DESCRIPTION |
|---------|--------------|----------------------|
| 1 | 585 54 60-02 | LARGE MOUNTING PLATE |

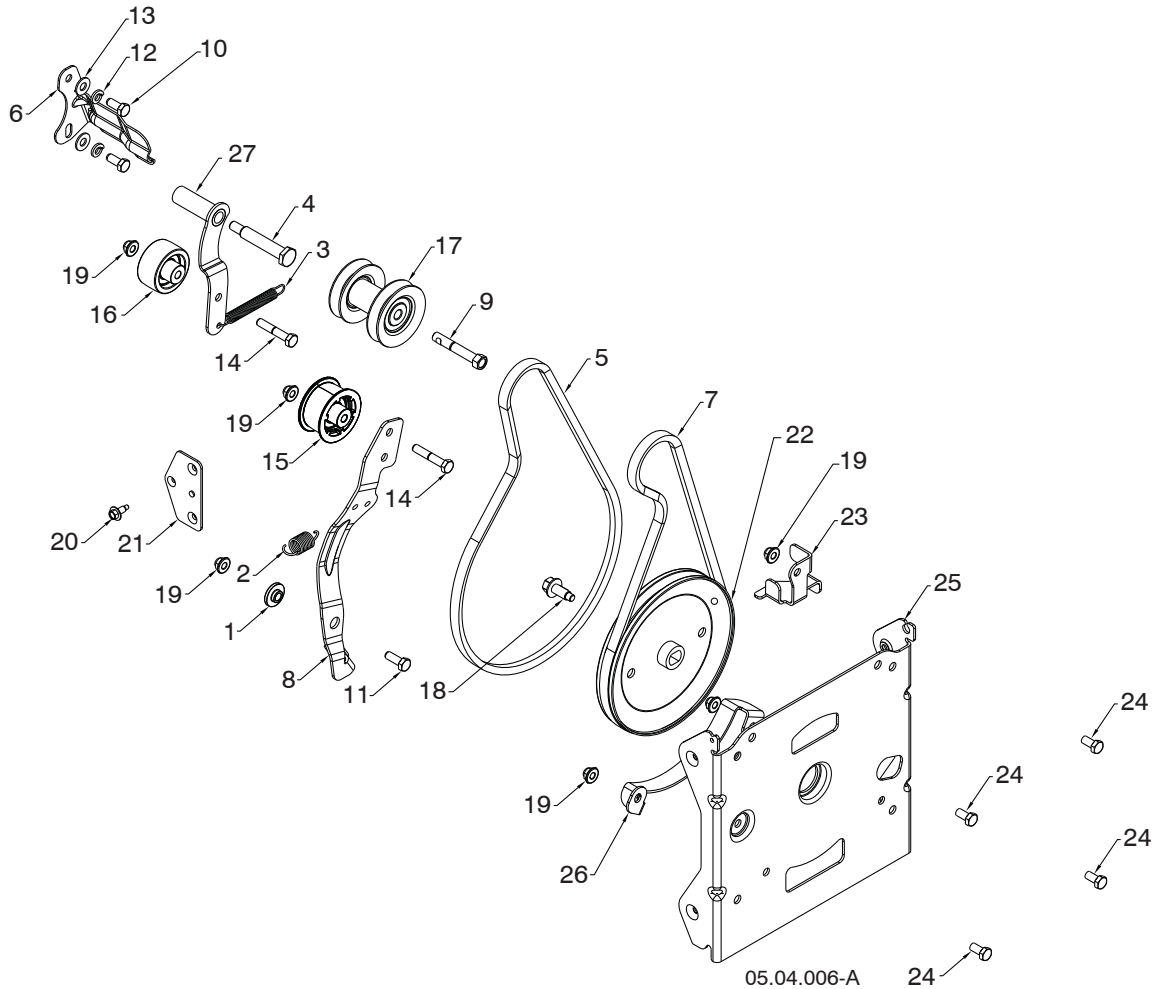
NOTE: All component dimensions given in U.S. inches. 1 inch = 25.4 mm

IMPORTANT: Use only Original Equipment Manufacturer (O.E.M.) replacement parts. Failure to do so could be hazardous, damage your snow thrower and void your warranty.

REPAIR PARTS

CHASSIS / ENGINE / PULLEYS

SNOW THROWER - MODEL NO. ST 230P (96193010105), PRODUCT NO. 961 93 01-01



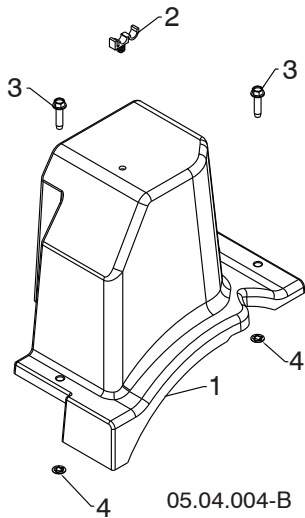
| KEY NO. | PART NO. | DESCRIPTION | KEY NO. | PART NO. | DESCRIPTION |
|---------|--------------|-------------------------------------|---------|--------------|----------------------------------|
| 1 | 587 34 37-01 | BUSHING BRAKE ARM | 16 | 586 88 02-01 | PULLEY IDLER FLANG 2.0 O/ SPACER |
| 2 | 587 03 12-01 | SPRING RETURN IDLER ARM | 17 | 587 89 37-03 | PULLEY ASM IMPELLER / DRIVE |
| 3 | 580 75 30-01 | SPRING RETURN IDLER ARM | 18 | 583 81 49-01 | SCREW FLANGE HEAD 3/8-16 |
| 4 | 581 41 38-01 | BOLT SHOULDER 5/16-24 X 2.15 | 19 | 532 42 79-42 | NUT NYLOK FLANGE 5/16-18 |
| 5 | 585 82 99-02 | BELT DRIVE HI CRANK | 20 | 585 51 78-01 | SCREW 1/4-20 X .65 W/DOG POINT |
| 6 | 588 49 28-02 | BRACKET BELT KEEPER | 21 | 590 04 46-02 | BRACKET NUT BZP |
| 7 | 501 81 82-02 | BELT IMPELLER HIGH CRANK | 22 | 590 69 92-01 | PULLEY IMPELLER DD 4L |
| 8 | 580 83 11-06 | ARM IDLER AUTO PH .676 | 23 | 587 58 72-02 | GUIDE LOWER AUGER BELT 479 |
| 9 | 582 38 84-01 | BOLT ENGINE PULLEY | 24 | 532 16 31-83 | BOLT HXHD 5/16-18 X 5/8 |
| 10 | 874 61 05-12 | CAPSCREW HEXHD 5/16-24 X .75 GR5 | 25 | 581 59 25-02 | BRACKET AUG HOUSING INTER 479 |
| 11 | 874 76 05-14 | BOLT HEXHD 5/16-18 X .875 | 26 | 581 63 20-02 | BRACKET BELT KEEPER LOWER 479 |
| 12 | 810 04 05-00 | LOCKWASHER 5/16 SPLIT HVY | 27 | 581 33 82-03 | ARM IDLER DRIVE |
| 13 | 819 11 12-16 | WASHER 11/32 X 3/4 X 16GA | | | |
| 14 | 874 76 05-28 | BOLT HXHD 5/16-18 X 1.75 | | | |
| 15 | 581 14 14-01 | PULLEY IDLER 2.0 WITH SPACER | | | |

NOTE: All component dimensions given in U.S. inches. 1 inch = 25.4 mm
IMPORTANT: Use only Original Equipment Manufacturer (O.E.M.) replacement parts.
 Failure to do so could be hazardous, damage your snow thrower and void your warranty.

REPAIR PARTS

CHASSIS / ENGINE / PULLEYS

SNOW THROWER - MODEL NO. ST 230P (96193010105), PRODUCT NO. 961 93 01-01



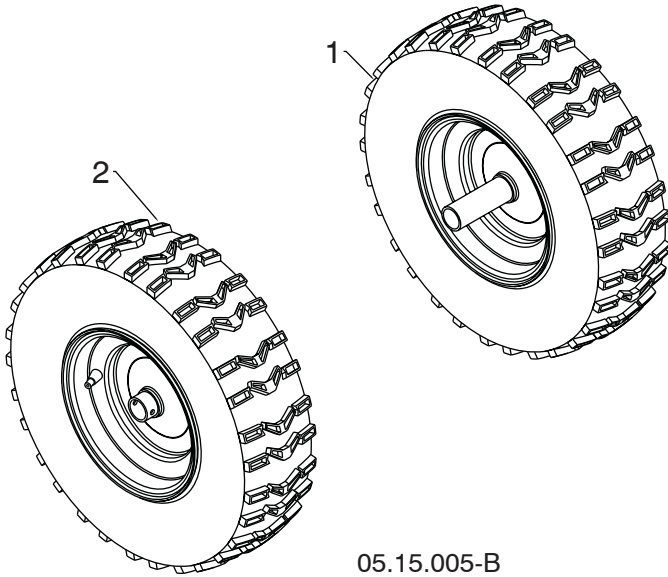
| KEY NO. | PART NO. | DESCRIPTION |
|---------|--------------|---|
| 1 | 587 10 55-01 | BELT COVER HI CRANK (INCLUDES KEY# 3 & 4) |
| 2 | 532 14 50-06 | CABLE GUIDE |
| 3 | ----- | BOLT HEX WSH THDRL 1/4-20 X 1 |
| 4 | ----- | PALNUT 1/4 IN |

NOTE: All component dimensions given in U.S. inches. 1 inch = 25.4 mm
IMPORTANT: Use only Original Equipment Manufacturer (O.E.M.) replacement parts. Failure to do so could be hazardous, damage your snow thrower and void your warranty.

REPAIR PARTS

WHEELS

SNOW THROWER - MODEL NO. ST 230P (96193010105), PRODUCT NO. 961 93 01-01



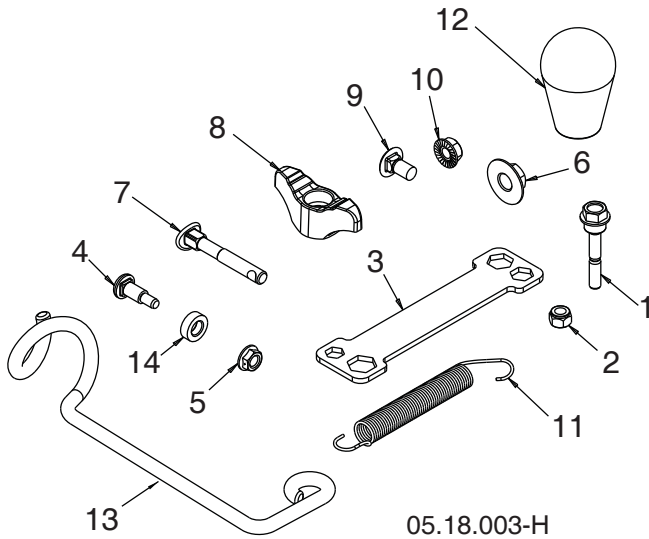
| KEY NO. | PART NO. | DESCRIPTION |
|---------|--------------|--------------------------------|
| 1 | 532 43 57-86 | WHEEL 16X4.80 NPS LH 1.00 K478 |
| 2 | 532 43 57-88 | WHEEL 16X4.80 NPS RH 1.00 K478 |

NOTE: All component dimensions given in U.S. inches. 1 inch = 25.4 mm
IMPORTANT: Use only Original Equipment Manufacturer (O.E.M.) replacement parts. Failure to do so could be hazardous, damage your snow thrower and void your warranty.

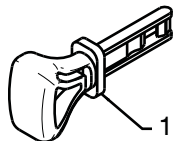
REPAIR PARTS

BAG OF PARTS

SNOW THROWER - MODEL NO. ST 230P (96193010105), PRODUCT NO. 961 93 01-01



| KEY NO. | PART NO. | DESCRIPTION |
|---------|--------------|------------------------------|
| 1 | 588 07 75-01 | BOLT 1/4-20 X 1.81 |
| 2 | 873 80 04-00 | NUT NYLOCK 1/4-20 |
| 3 | 532 42 91-12 | WRENCH |
| 4 | 501 41 73-01 | BOLT SHOULDER |
| 5 | 585 69 1401 | NUT HEX FL 1/4-20 CTR |
| 6 | 585 69 10-01 | NUT NYLOCK 3/8-16 |
| 7 | 588 05 99-01 | BOLT 5/16-18 X 2.25 CONCAVE |
| 8 | 532 19 19-38 | KNOB 5/16-18 TWO-WING |
| 9 | 585 83 20-01 | BOLT 5/16-18 X .625 |
| 10 | 873 97 05-00 | NUT SERR FL LOCK 5/16-18 |
| 11 | 532 18 45-05 | SPRING DEFLECT CHUTE |
| 12 | 581 69 75-01 | KNOB SOFT TOUCH SLOTTED |
| 13 | 581 89 73-01 | SUPPORT ROTATION CABLE |
| 14 | 501 41 74-01 | WASHER NYLON |
| NI | 588 07 76-03 | KIT REPLACEMENT BAG OF PARTS |



01.14.009-B

| KEY NO. | PART NO. | DESCRIPTION |
|---------|--------------|-------------------------|
| 1 | 532 44 30-59 | SAFETY IGNITION KEY KIT |

NOTE: All component dimensions given in U.S. inches. 1 inch = 25.4 mm
IMPORTANT: Use only Original Equipment Manufacturer (O.E.M.) replacement parts. Failure to do so could be hazardous, damage your snow thrower and void your warranty.

SNOW THROWER - MODEL NO. ST 230P (96193010105), PRODUCT NO. 961 93 01-01



1



4



3

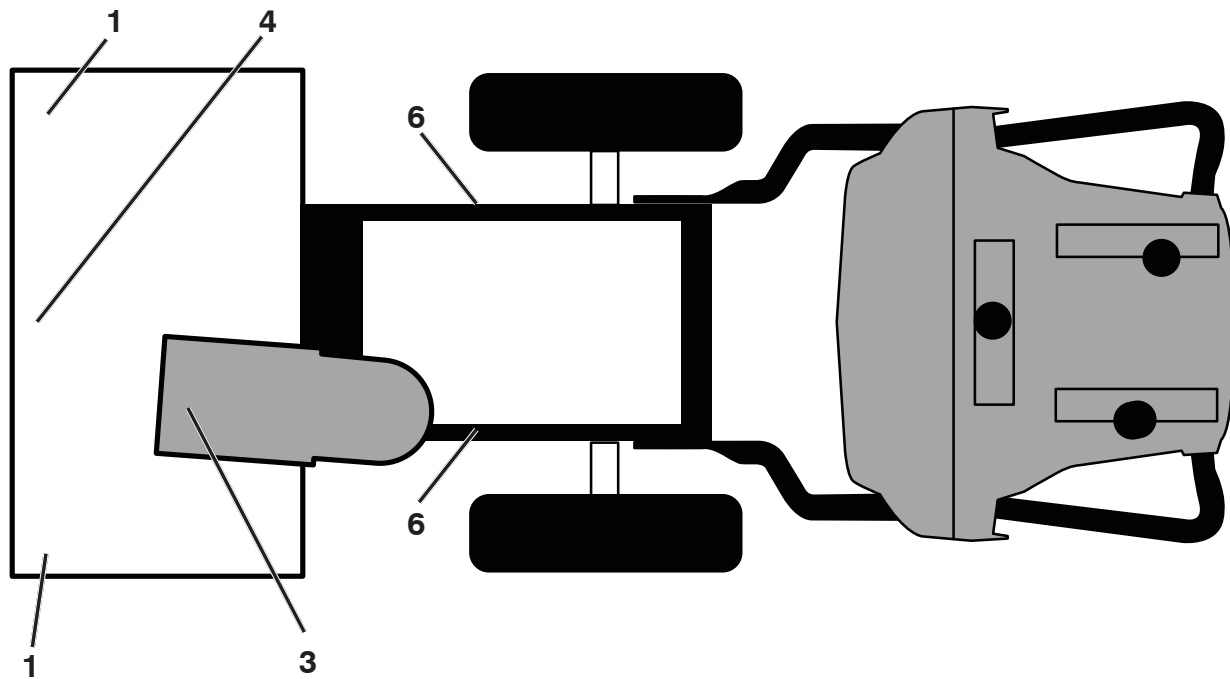


2

| KEY NO. | PART NO. | DESCRIPTION |
|---------|--------------|--------------------|
| 1 | 532 18 40-45 | DECAL AUGER |
| 2 | 590 81 22-01 | DECAL CHUTE |
| 3 | 532 19 96-83 | DECAL AUGER SAFETY |
| 4 | 532 18 40-28 | DECAL BELT GUIDE |

05.16.001-A

NOTE: All component dimensions given in U.S. inches. 1 inch = 25.4 mm
IMPORTANT: Use only Original Equipment Manufacturer (O.E.M.) replacement parts. Failure to do so could be hazardous, damage your snow thrower and void your warranty.



| KEY PART NO. | PART NO. | DESCRIPTION |
|--------------|--------------|---|
| 1 | 532 19 96-83 | DECAL, AUGER |
| 3 | 590 81 22-01 | DECAL, DANGER, DEFLECTOR |
| 4 | 532 18 40-45 | DECAL, DANGER |
| 6 | 532 18 40-28 | DECAL, BELT GUARD |
| -- | 532 42 86-77 | CROWN "H" EMBLEM (NOT SHOWN) |
| -- | 532 17 45-72 | DECAL, CANADA IGNITION (NOT SHOWN) |
| -- | 588 61 85-01 | DECAL, AUG. HSQ (NOT SHOWN) |
| -- | 590 69 72-01 | DECAL, ENG. RECOIL (NOT SHOWN) |
| -- | 115 99 57-49 | OPERATOR'S MANUAL, ENGLISH, FRENCH, SPANISH |

NOTE: All component dimensions given in U.S. inches. 1 inch = 25.4 mm
IMPORTANT: Use only Original Equipment Manufacturer (O.E.M.) replacement parts. Failure to do so could be hazardous, damage your snow thrower and void your warranty.

ENGINE, LCT

COMPLETE ENGINE-580426107

GEN II 291/306/369/414/420cc Snow Engines

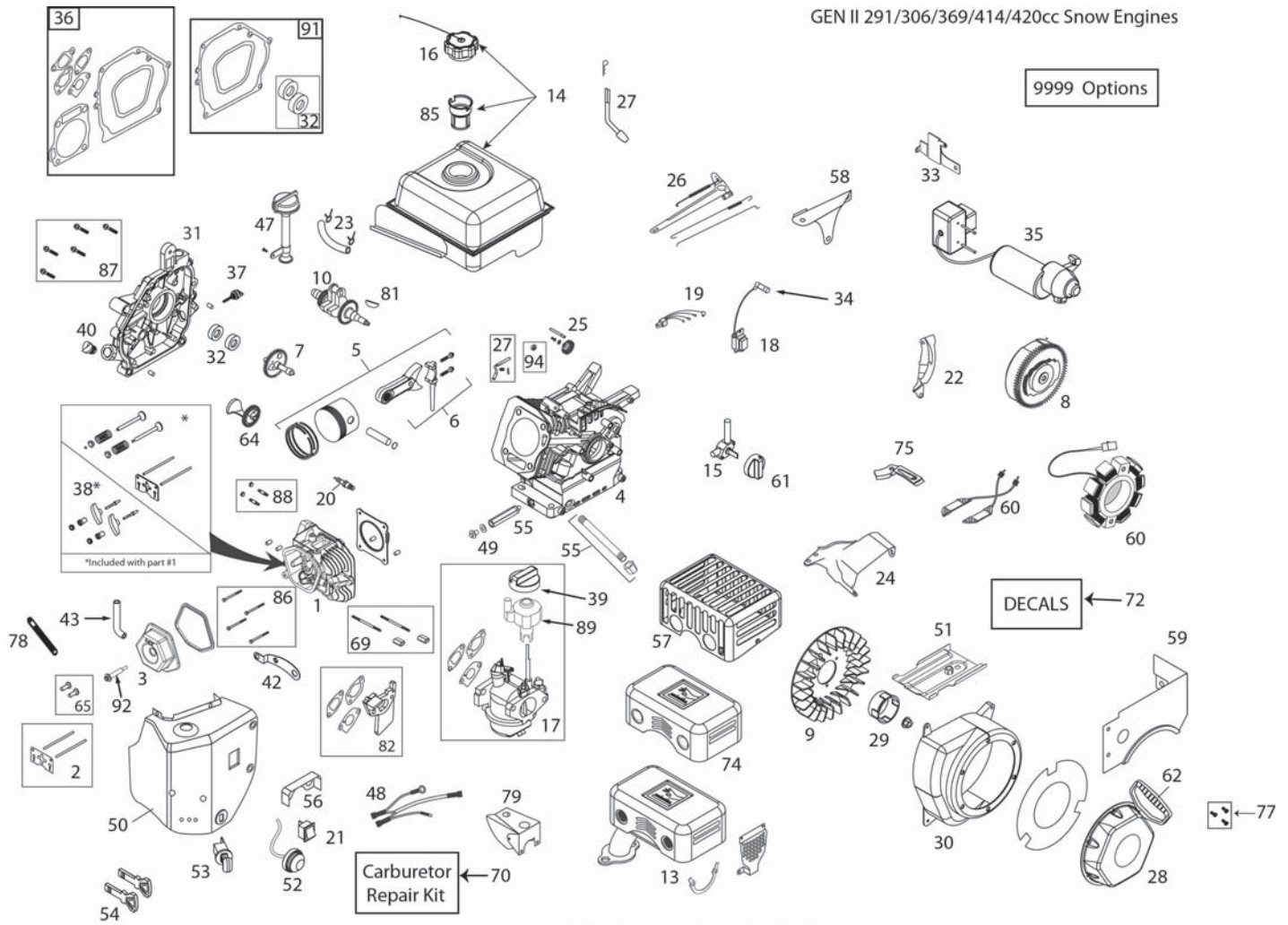


ILLUSTRATION FOR REFERENCE PURPOSES ONLY

| KEY PART NO. | NO. | DESCRIPTION |
|--------------|--------------|--|
| 1 | 532 42 92-54 | CYLINDER HEAD ASSEMBLY - 291CC (INCL. GASKET) |
| 2 | 532 42 96-13 | PUSH ROD & PLATE KIT (291CC) (INCL. VALVE COVER GSKT) |
| 3 | 532 42 93-03 | VALVE COVER (291/414CC) (INCL. GASKET) |
| 4 | N/A | N/A |
| 5 | 532 42 92-58 | PISTON & ROD ASSEMBLY (291CC) |
| 6 | 587 14 26-01 | CONNECTING ROD ASSEMBLY (291CC) |
| 7 | 532 42 92-53 | CAMSHAFT - MCR (291CC) (INCL. COVER GASKET) |
| 8 | 532 44 38-95 | FLYWHEEL - ELECTRIC START (5-CHARGING MAGNETS) (291CC) |
| 9 | 532 42 92-38 | COOLING FAN - FLYWHEEL (PLASTIC - 291CC) |
| 10 | 587 12 45-01 | CRANKSHAFT (#18 KEYED 291CC SNOW) |

| KEY PART NO. | NO. | DESCRIPTION |
|--------------|--------------|---|
| 13 | 587 19 87-01 | QUIET MUFFLER-HOP-369CC-SNOW |
| 14 | 532 43 48-89 | FUEL TANK (291CC-SNOW) (3.6L BLACK W/PLASTIC CAP) |
| 15 | 532 42 92-34 | FUEL TANK ON/OFF VALVE (PETCOCK) - GEN II SNOW |
| 16 | 532 42 92-11 | FUEL TANK CAP - BLACK PLASTIC (VENTED) |
| 17 | 587 12 46-01 | CARBURETOR (L11D) (291CC SNOW W/IDLE-DOWN) |
| 18 | 532 44 38-97 | IGNITION COIL (CDI) (291-414CC) (HI-TEMP) |
| 20 | 532 42 92-55 | SPARK PLUG |
| 21 | 532 42 92-23 | ON/OFF SWITCH - ROCKER |
| 22 | N/A | N/A |
| 23 | 532 43 21-46 | FUEL HOSE KIT (229MM) |
| 24 | 532 43 55-79 | SPEED CONTROL BRACKET (FIXED) |

NOTE: All component dimensions given in U.S. inches. 1 inch = 25.4 mm

IMPORTANT: Use only Original Equipment Manufacturer (O.E.M.) replacement parts. Failure to do so could be hazardous, damage your snow thrower and void your warranty.

ENGINE, LCT

COMPLETE ENGINE-580426107

| KEY NO. | PART NO. | DESCRIPTION | KEY NO. | PART NO. | DESCRIPTION |
|---------|--------------|---|---------|--------------|---|
| 25 | 532 42 92-92 | GOVERNOR GEAR ASSEMBLY | 57 | 582 66 84-01 | CE MUFFLER GUARD |
| 26 | 532 42 92-48 | GOVERNOR ARM & LINK KIT (291CC SNOW)-LQA | 58 | 532 42 92-25 | SHIELD - GOVERNOR LLNKAGE -SNOW |
| 27 | 532 42 92-50 | GOVERNOR ARM PADDLE | 59 | 582 62 14-01 | FUEL TANK SKIRT (291CC SNOW) |
| 28 | 582 62 11-01 | RECOIL STARTER - 291CC SNOW (JPC) | 60 | 532 44 38-96 | CHARGING COIL (60-WATT AC) (291/414CC) |
| 29 | 582 62 13-01 | STARTER CUP - 291CC SNOW (JPC) | 61 | 532 43 27-52 | FUEL CONTROL KNOB (GEN II SNOW - RED) |
| 30 | 582 62 12-01 | BLOWER HSG (291CC SNOW MATTE BLK W/FRT OIL DRAIN) | 62 | 532 44 38-99 | STARTER GRIP-SNOW (DELUXE) |
| 31 | 532 42 92-41 | CRANKCASE COVER ASSY (HOFT & 2-LOW FILLS) | 64 | N/A | N/A |
| 32 | 532 42 92-83 | OIL SEAL KIT | 65 | 581 37 29-01 | TAPPET KIT (291/414CC)(SET OF 2) |
| 33 | 587 14 28-01 | ELECTRIC STARTER SWITCH-BOX BRACKET - 291CC SNOW | 69 | 586 32 66-01 | CARBURETOR MTG STUD KIT (2) (291CC SNOW) |
| 34 | 532 43 69-66 | SPARK PLUG BOOT - WITH METAL SHIELD (SNOW) | 70 | 580 35 37-01 | CARBURETOR REPAIR KIT (291/414CC) |
| 35 | 532 42 92-20 | 120V ELECTRIC STARTER (291CC) | 74 | 587 37 53-01 | MUFFLER SHIELD |
| 36 | 532 42 96-15 | ENGINE GASKET KIT (291CC) | 75 | N/A | N/A |
| 37 | 532 43 55-34 | SMALL BLACK OIL DIPSTICK (PLASTIC) | 77 | 532 43 26-88 | RECOIL BOLT KIT (3 BOLTS PER KIT) |
| 38 | 532 42 96-12 | ROCKER ARM KIT (291/414CC) (INCL. GASKET) | 78 | N/A | N/A |
| 39 | 532 42 92-24 | CHOKE CONTROL KNOB (GEN II RED) | 79 | N/A | N/A |
| 40 | 532 42 92-42 | NON-REMOVABLE PLASTIC PLUG (291/414CC) | 81 | 585 29 72-02 | WOODRUFF FLYWHEEL KEYS (5-PACK) (4X6X18MM)(136/291CC) |
| 42 | N/A | N/A | 82 | 585 02 05-02 | 291CC CARBURETOR SPACER KIT |
| 43 | 580 35 38-01 | BREATHER TUBE (291/414CC) | 85 | 586 32 56-01 | FUEL TANK STRAINER |
| 47 | 532 42 92-37 | HIGH OIL-FILL TUBE & CAP (NO DIPSTICK) | 86 | 586 32 74-01 | CYLINDER HEAD BOLT KIT (4) (291-414CC) |
| 48 | 532 42 92-84 | WIRE HARNESS (414CC SNOW) | 87 | 586 32 72-01 | CC COVER BOLT KIT (7) (291CC) |
| 50 | 532 42 92-06 | HEATER BOX KIT (291CC SNOW) | 88 | 586 32 68-01 | MUFFLER MTG STUD KIT (2) |
| 51 | 532 42 92-31 | SHIELD - CYLLNDER | 89 | 587 12 48-01 | SPEED CONTROL KNOB (GREY) |
| 52 | 532 42 92-18 | PRIMER BULB WITH HOSE-SNOW | 91 | 587 99 41-03 | CRANKSHAFT GASKET KIT 291-306CC |
| 53 | 532 42 92-21 | SAFETY KEY SWITCH W/KEYS | 92 | 587 99 52-01 | VALVE COVER BOLT_WITH SEAL |
| 54 | 532 44 30-59 | KEY SET - RED (2) (SNOW) | 94 | N/A | N/A |
| 55 | 587 13 99-01 | OIL DRAIN TUBE (96.5MM) WITH CAP NUT | 9999 | 586 32 64-01 | HIGH ALTITUDE JET (>6,000 FEET)(291CC L11 CARBURETOR) |
| 56 | 532 42 92-13 | CARBURETOR VAPOR SHIELD - 414CC SNOW | 9999 | 579 80 64-01 | BOLT KIT - BLWR HGS/HEATER BOX/TANK SKIRT |

NOTE: All component dimensions given in U.S. inches. 1 inch = 25.4 mm
IMPORTANT: Use only Original Equipment Manufacturer (O.E.M.) replacement parts. Failure to do so could be hazardous, damage your snow thrower and void your warranty.