

**ILLUSTRATED PARTS LIST**

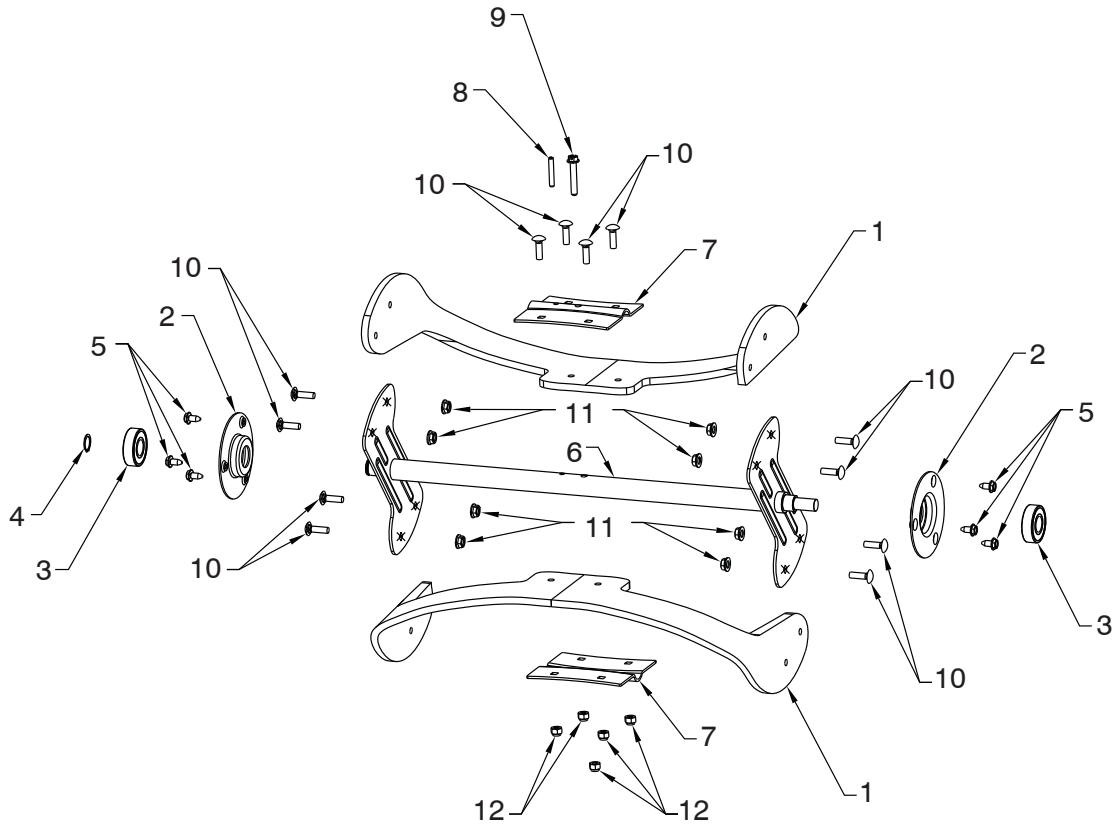
**MODEL NUMBER ST 151**

**PRODUCT NUMBER 961 81 00-14**

**MFG. ID. NUMBER 96181001402**

# REPAIR PARTS SNOW THROWER - - MODEL NUMBER ST 151 (96181001402)

## AUGER ASSEMBLY



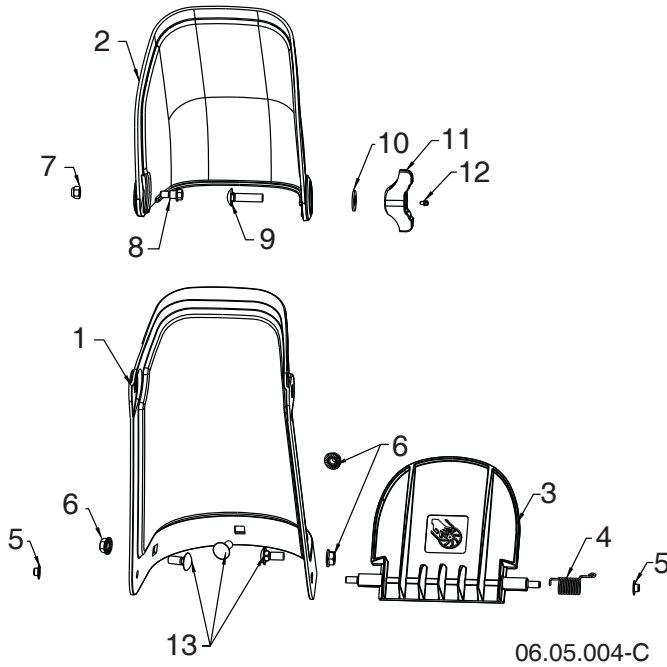
06.03.001-F

KEY NO.	PART NO.	DESCRIPTION
1	532 44 27-59	BLADE
2	580 85 55-01	BEARING SUPPORT
3	532 43 76-22	BALL BEARING
4	812 00 00-28	RETAINING RING
5	817 06 04-08	SCREW HEX 1/4-20 X 3/8
6	532 43 76-17	AUGER WELDMENT
7	580 85 54-01	CENTER BLADE PLATE
8	532 43 76-20	ROLL PIN
9	532 19 96-87	SCREW HEX WS HD 1/4-20 X 1.5
10	872 11 04-07	BOLT CARRIAGE 1/4-20 X 7/8
11	532 19 17-30	LOCKNUT 1/4-20 HEX FLANGE SIDE
12	532 13 20-04	NUT HEX 1/4-20 SERR

**NOTE:** All component dimensions given in U.S. inches. 1 inch = 25.4 mm  
**IMPORTANT:** Use only Original Equipment Manufacturer (O.E.M.) replacement parts.  
 Failure to do so could be hazardous, damage your snow thrower and void your warranty.

# REPAIR PARTS SNOW THROWER - - MODEL NUMBER ST 151 (96181001402)

## CHUTE ASSEMBLY

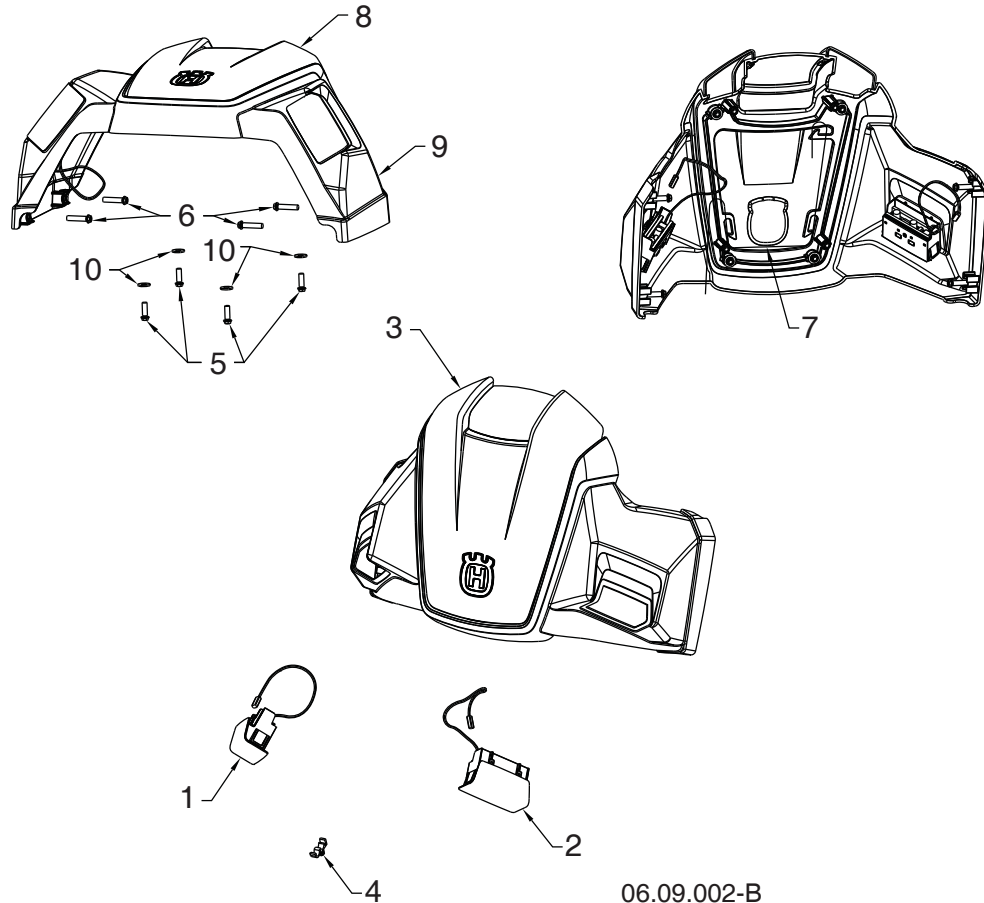


KEY NO.	PART NO.	DESCRIPTION
1	583 75 82-01	CHUTE (GREY)
2	532 44 34-31	DEFLECTOR (GREY)
3	532 44 41-40	GUARD (GREY)
4	532 43 66-22	SPRING
5	532 44 22-51	PUSH NUT
6	873 97 05-00	NUT LOCK HEX W/INS 5/16-18 UNC PL
7	532 13 20-04	NUT HEX 1/4-20 NYLON LOCKING
8	532 44 46-82	SHOULDER BOLT 1/4-20 HEX HEAD
9	872 11 05-10	CARRIAGE BOLT 5/16-18 X 1-1/4
10	819 13 13-16	WASHER 13/32 X 13/16 X 16 GA
11	532 19 19-38	WING KNOB
12	532 07 16-73	CAP PLUNGER
13	872 01 05-06	CARRIAGE BOLT 5/16-18 UNC X 1
--	532 44 30-57	HARDWARE BAG

**NOTE:** All component dimensions given in U.S. inches. 1 inch = 25.4 mm  
**IMPORTANT:** Use only Original Equipment Manufacturer (O.E.M.) replacement parts. Failure to do so could be hazardous, damage your snow thrower and void your warranty.

# REPAIR PARTS SNOW THROWER - - MODEL NUMBER ST 151 (96181001402)

## HANDLE ASSEMBLY



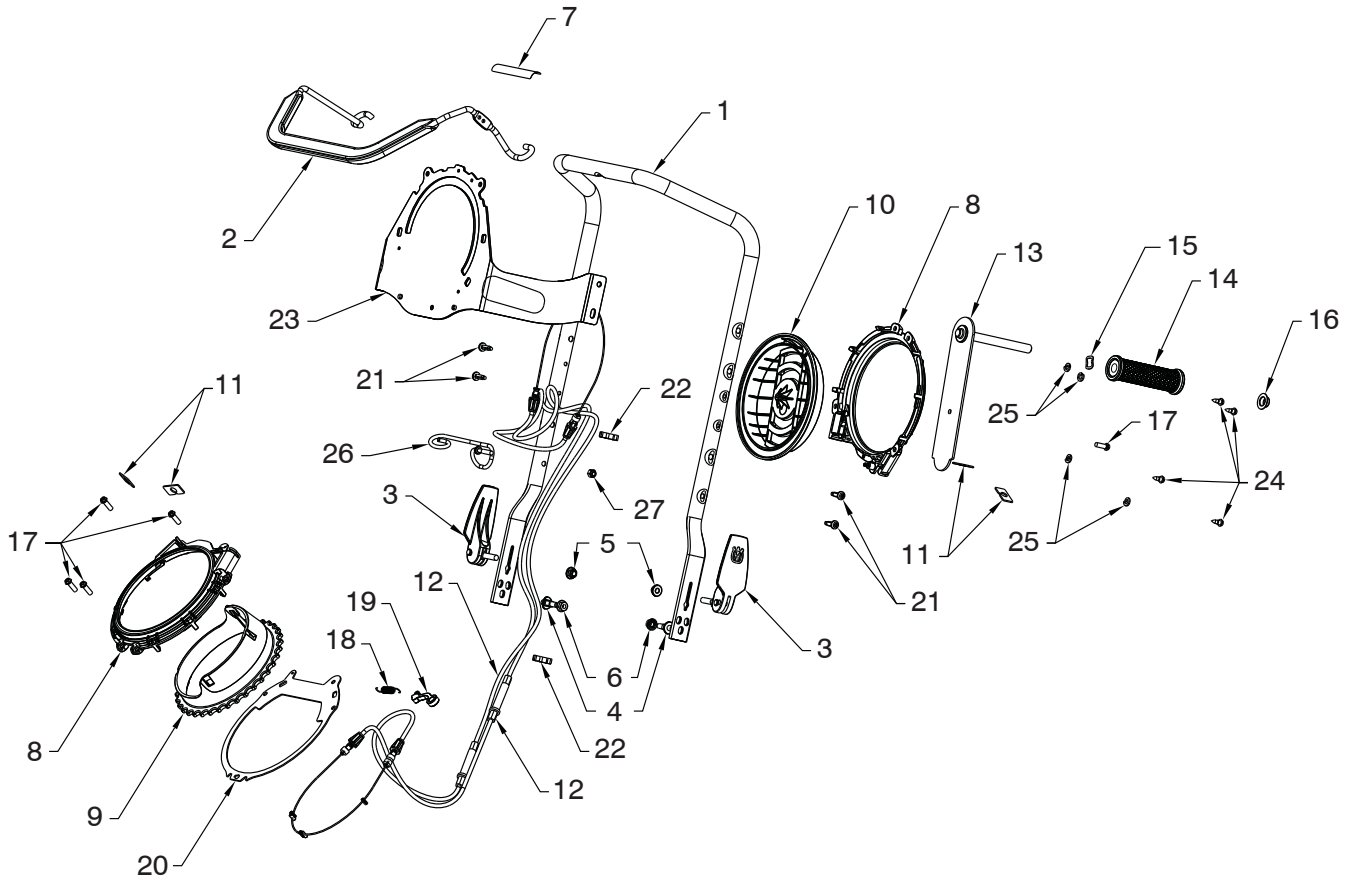
06.09.002-B

KEY NO.	PART NO.	DESCRIPTION
1	580 68 05-01	RH LED SUBASM
2	580 68 05-02	LH LED SUBASM
3	581 00 88-01	SHROUD CONTROL ASM - SERVICED AS KEY # 8 & 9
4	532 14 50-06	PUSH IN CLIP
5	817 41 13-12	3/4" HI-LO SCREW
6	817 41 13-18	1-1/8" HI-LO SCREW
7	532 44 30-46	WIRING HARNESS
8	532 44 32-45	SHROUD ASM SM - SERVICE PART
9	532 44 16-24	SHROUD LG - SERVICE PART
10	819 09 10-16	WASHER FLAT 1/4 SAE

**NOTE:** All component dimensions given in U.S. inches. 1 inch = 25.4 mm  
**IMPORTANT:** Use only Original Equipment Manufacturer (O.E.M.) replacement parts.  
 Failure to do so could be hazardous, damage your snow thrower and void your warranty.

# REPAIR PARTS SNOW THROWER - - MODEL NUMBER ST 151 (96181001402)

## HANDLE ASSEMBLY

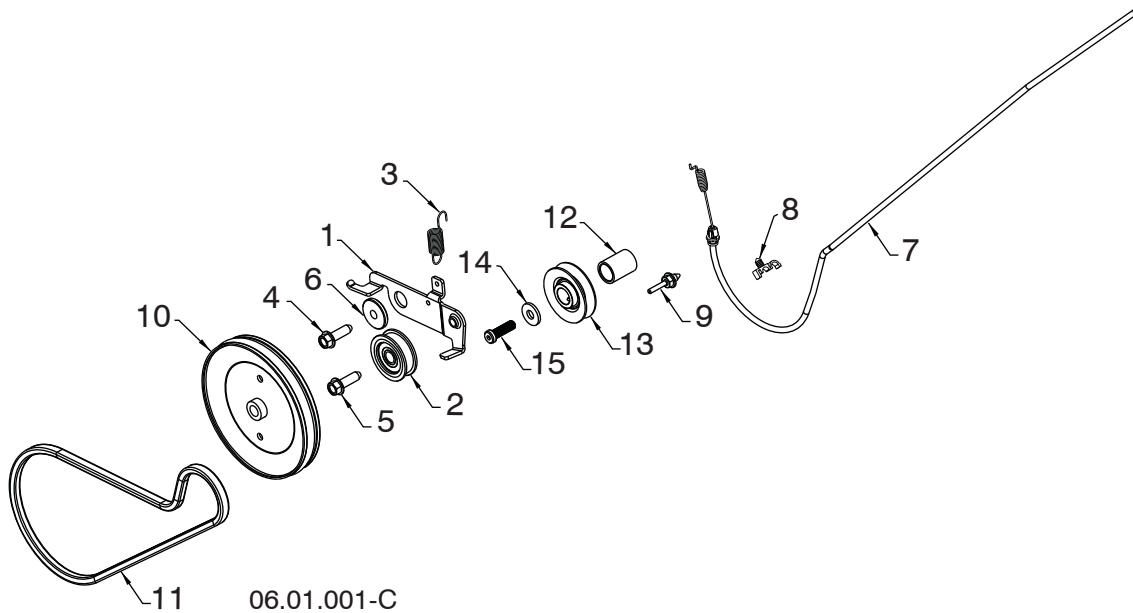


06.07.005-A

KEY NO.	PART NO.	DESCRIPTION	KEY NO.	PART NO.	DESCRIPTION
1	532 44 34-32	UPPER HANDLE ERGO GRAY	16	532 43 54-17	NUT PUSH AXLE .05"
2	532 44 34-33	OVERMOLD BAIL ASM HUSQ	17	817 41 13-12	SCREW HEX WSHHD #13 X .750
3	532 44 30-21	QUICK ADJUST SUBASM	18	580 66 45-01	CHUTE CONTROL SPRING ROTATE
4	532 19 92-55	STUD QUICK ADJ	19	532 43 48-78	CHUTE RATCHET ARM
5	532 44 22-48	NUT 5/16-18 FLANGE NYLOCK BLACK	20	580 85 56-01	CHUTE BASE PLATE
6	873 97 05-00	NUT LOCK HEX FLANGE	21	532 44 22-50	SCREW PAN HD TORX 1/4-20 X .750
7	532 43 75-06	DECAL HANDLE BAR AUGER INSTRUCTIONAL	22	532 14 50-06	CABLE GUIDE
8	532 44 39-38	CHUTE RETAINER RING	23	580 85 59-01	SUPPORT BRACKET DDC STAMP
9	532 44 39-39	CHUTE BASE DCC BLACK	24	532 18 44-71	SCREW SHOULDER 10/24 X .62
10	532 44 39-40	PULLEY DCC RING BLACK	25	810 04 04-00	LOCKWASHER 1/4 SPLIT
11	532 43 68-06	BRACKET CABLE DCC	26	532 44 22-34	ROPE GUIDE
12	532 43 68-05	CABLE DCC	27	532 13 20-04	NUT HEX 1/4-20 BZO
13	532 43 68-90	HANDLE SUDASM PIVOT			
14	532 44 28-35	HANDLE GRIP SUBASM			
15	532 44 47-49	WASHER THREE WAVE SPRING			

**NOTE:** All component dimensions given in U.S. inches. 1 inch = 25.4 mm  
**IMPORTANT:** Use only Original Equipment Manufacturer (O.E.M.) replacement parts. Failure to do so could be hazardous, damage your snow thrower and void your warranty.

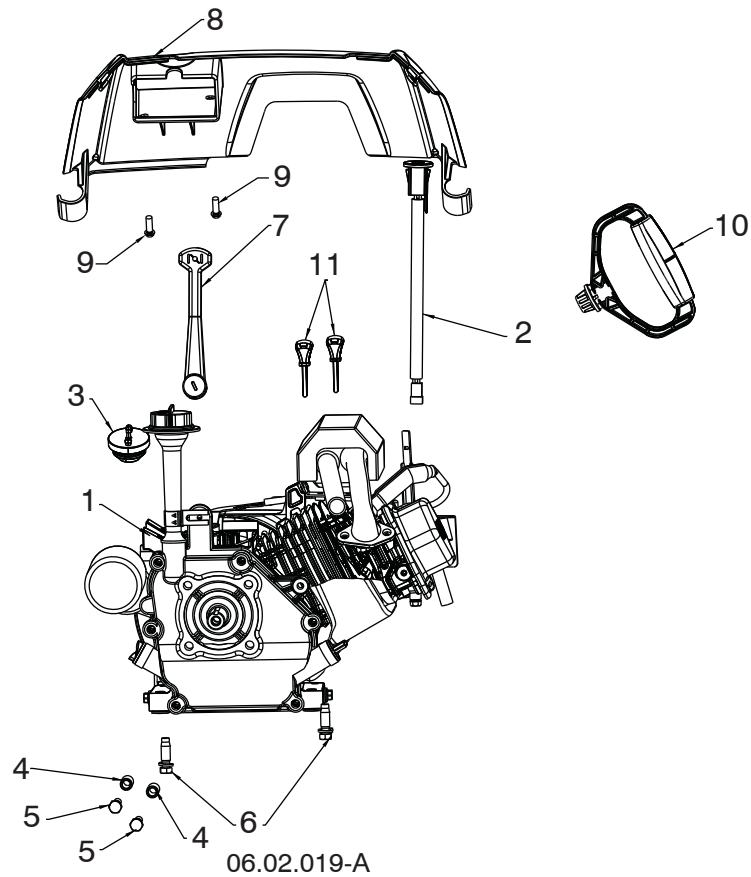
**REPAIR PARTS SNOW THROWER - - MODEL NUMBER ST 151 (96181001402)**  
**DRIVE ASSEMBLY**



KEY NO.	PART NO.	DESCRIPTION
1	580 85 53-01	IDLER ARM
2	532 16 60-43	IDLER PULLEY
3	532 43 48-59	RETURN SPRING
4	817 06 06-20	SCREW 3/8-16 X 1-1/4 (TORQUE 13-18 FT-LBS)
5	817 06 06-20	SCREW 3/8-16 X 1-1/4 (TORQUE 22-27 FT-LBS)
6	532 19 90-92	SPACER
7	532 44 30-18	CLUTCH CABLE ASM
8	532 14 50-06	PUSH CLIP
9	532 43 45-02	BELT KEEPER
10	532 43 53-83	DRIVE PULLEY
11	532 43 72-61	BELT
12	532 43 48-60	ENGINE CRANK SPACER
13	532 42 64-90	ENGINE PULLEY
14	532 85 10-74	WASHER
15	532 43 08-17	SCREW 3/8-24 X 1/25

**NOTE:** All component dimensions given in U.S. inches. 1 inch = 25.4 mm  
**IMPORTANT:** Use only Original Equipment Manufacturer (O.E.M.) replacement parts.  
 Failure to do so could be hazardous, damage your snow thrower and void your warranty.

# REPAIR PARTS SNOW THROWER - - MODEL NUMBER ST 151 (96181001402) ENGINE ASSEMBLY

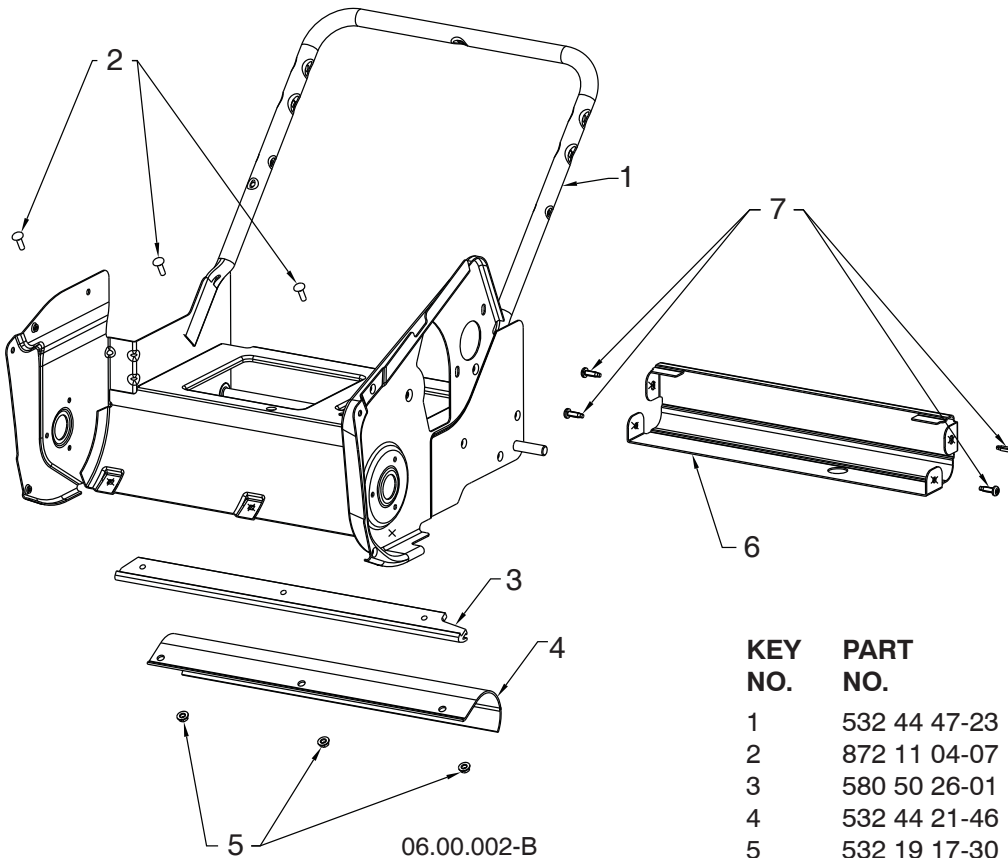


KEY NO.	PART NO.	DESCRIPTION
1	580 81 11-02	ENGINE LCT PW3HK1865018Y
2	532 43 54-07	KEY SWITCH
3	532 43 62-35	PRIMER BULB
4	532 43 48-57	ENGINE SPACER
5	532 43 55-78	SCREW 5/16-24 X 2.00 HHCS
6	532 15 04-06	ENGINE BOLT 3/8-16 DOGPOINT
7	532 43 48-74	CHOKE LEVER
8	532 44 34-24	LOWER REAR COVER
9	817 41 13-12	SCREW HEX WSHHD #13 X .750
10	532 43 62-76	HANDLE RECOIL
11	532 44 30-59	KEY SET (QTY: 2)

**NOTE:** All component dimensions given in U.S. inches. 1 inch = 25.4 mm  
**IMPORTANT:** Use only Original Equipment Manufacturer (O.E.M.) replacement parts.  
 Failure to do so could be hazardous, damage your snow thrower and void your warranty.

# REPAIR PARTS SNOW THROWER - - MODEL NUMBER ST 151 (96181001402)

## FRAME ASSEMBLY

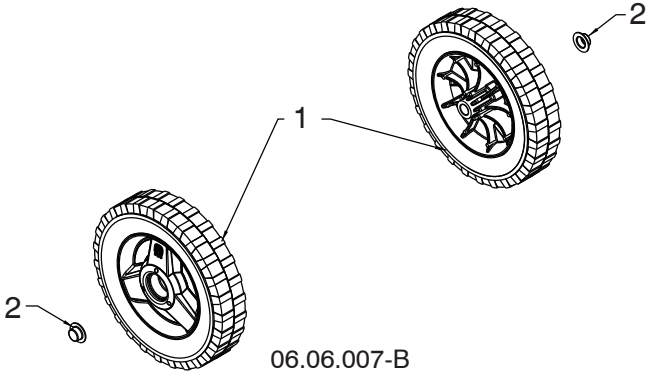


KEY NO.	PART NO.	DESCRIPTION
1	532 44 47-23	FRAME WELDMENT
2	872 11 04-07	BOLT CARRIAGE 1/4-20 X 7/8
3	580 50 26-01	BAR SCRAPER UHMW
4	532 44 21-46	SKIRT SCRAPER SSST
5	532 19 17-30	NUT HEX FLANGE 1/4-20 CTR LOCK
6	532 44 34-23	SUPPORT SSST REAR FRAME
7	532 44 22-50	SCREW PAN HD TORX 1/4-20 X .750

**NOTE:** All component dimensions given in U.S. inches. 1 inch = 25.4 mm  
**IMPORTANT:** Use only Original Equipment Manufacturer (O.E.M.) replacement parts. Failure to do so could be hazardous, damage your snow thrower and void your warranty.



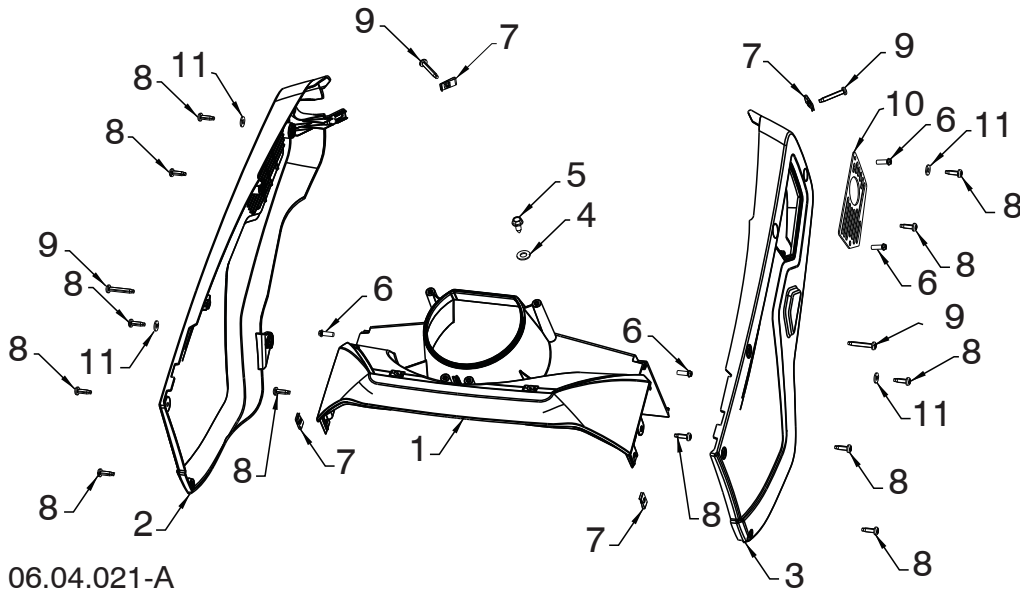
**REPAIR PARTS SNOW THROWER - - MODEL NUMBER ST 151 (96181001402)  
 FRAME ASSEMBLY**



KEY NO.	PART NO.	DESCRIPTION
1	532 44 21-20	WHEEL HUSQ 8" BAR SN
2	532 43 54-17	PUSH NUT

**NOTE:** All component dimensions given in U.S. inches. 1 inch = 25.4 mm  
**IMPORTANT:** Use only Original Equipment Manufacturer (O.E.M.) replacement parts.  
 Failure to do so could be hazardous, damage your snow thrower and void your warranty.

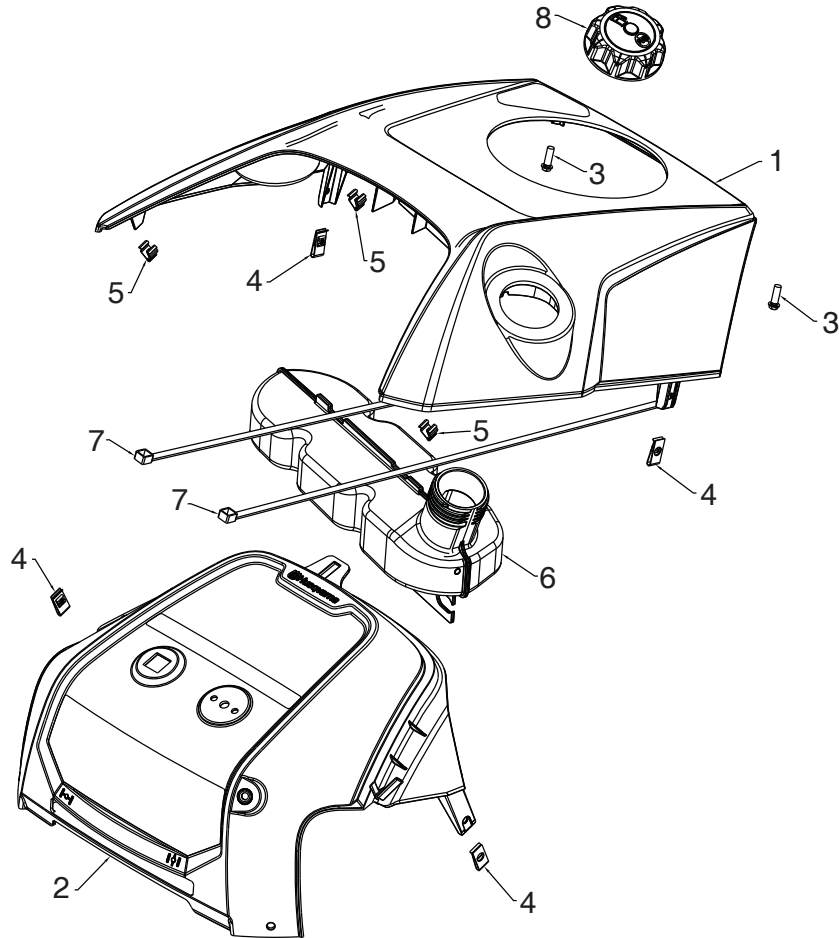
**REPAIR PARTS SNOW THROWER - - MODEL NUMBER ST 151 (96181001402)  
SHROUD ASSEMBLY**



KEY NO.	PART NO.	DESCRIPTION
1	532 44 34-25	PLENUM
2	584 98 99-03	COVER NON DRIVE SIDE
3	584 99 00-03	COVER DRIVE SIDE
4	819 13 13-16	WASHER FLAT 3/8 SAE
5	532 42 88-67	BOLT 5/16-18 X .75
6	817 41 13-12	SCREW 13-16 X .75
7	532 19 66-88	CLIP THREADED
8	532 44 22-50	SCREW 1/4-20 X .75
9	532 44 42-62	SCREW 1/4-20 X 1.50
10	580 83 35-01	EXHAUST PLATE
11	819 09 10-16	WASHER FLAT 1/4 SAE

**NOTE:** All component dimensions given in U.S. inches. 1 inch = 25.4 mm  
**IMPORTANT:** Use only Original Equipment Manufacturer (O.E.M.) replacement parts.  
 Failure to do so could be hazardous, damage your snow thrower and void your warranty.

# REPAIR PARTS SNOW THROWER - - MODEL NUMBER ST 151 (96181001402) SHROUD ASSEMBLY



06.04.014-F

KEY NO.	PART NO.	DESCRIPTION
1	532 44 41-33	TOP COVER
2	588 75 40-01	REAR UPPER COVER
3	817 41 13-12	BOLT 13-16 X .75
4	532 19 66-88	THREADED CLIP
5	532 43 48-68	TRIM CLIP
6	580 98 26-01	FUEL TANK ASSEMBLY
7	532 14 68-48	CABLE TIE
8	581 07 55-01	FUEL CAP/GASKET
--	115 99 64-20	OPERATOR MANUAL EURO
--	115 99 64-10	OPERATOR MANUAL SCAN
--	115 99 64-50	OPERATOR MANUAL EBLOC
--	115 99 64-40	OPERATOR MANUAL BALTIC
--	115 99 64-53	OPERATOR MANUAL UKRAIN

**NOTE:** All component dimensions given in U.S. inches. 1 inch = 25.4 mm  
**IMPORTANT:** Use only Original Equipment Manufacturer (O.E.M.) replacement parts.  
 Failure to do so could be hazardous, damage your snow thrower and void your warranty.

# REPAIR PARTS SNOW THROWER - - MODEL NUMBER ST 151 (96181001402) ENGINE, LCT COMPLETE ENGINE-580811102

136/179/208cc Single-Stage Snow Engines

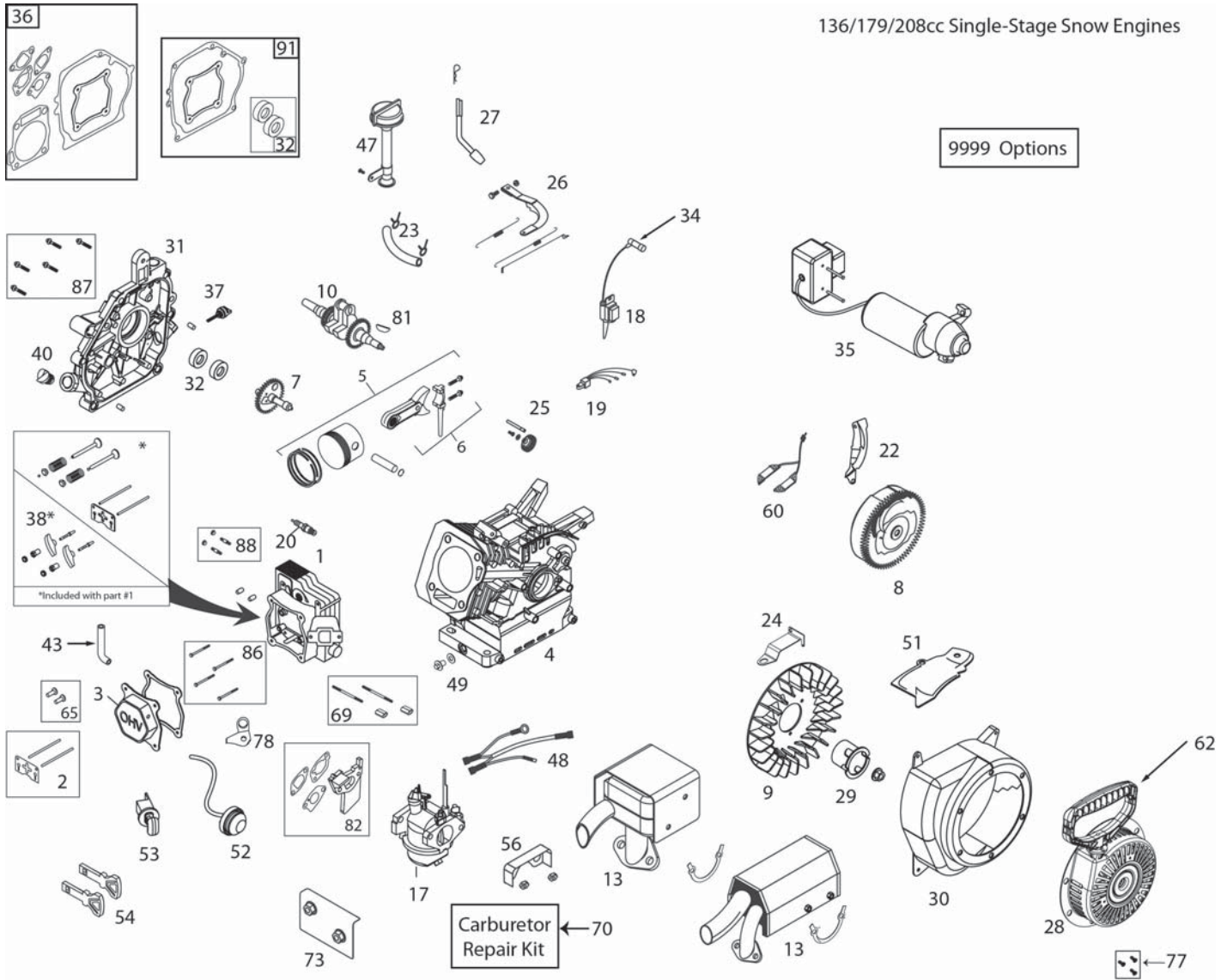


ILLUSTRATION FOR REFERENCE PURPOSES ONLY

KEY NO.	PART NO.	DESCRIPTION	KEY NO.	PART NO.	DESCRIPTION
1	532 42 05-78	CYLINDER HEAD ASSEMBLY - 208CC (INCL. GASKET)	7	532 42 05-84	CAMSHAFT - MCR (208CC)
2	532 42 05-79	PUSH ROD & PLATE KIT (208CC)(INCL. VALVE COVER GSKT)	8	532 42 92-35	FLYWHEEL - ELECTRIC START (2-CHARGING MAGNETS) (208CC)
3	532 42 05-80	VALVE COVER (208CC) (INCL. GASKET)	9	532 42 05-86	COOLING FAN - FLYWHEEL (PLASTIC - 208CC)
4	532 43 65-67	CYLINDER - 208CC GEN LL SNOW	10	532 44 66-42	CRANKSHAFT (#18 KEYED 208CC SNOW)
5	532 42 05-82	PISTON & ROD ASSEMBLY (208CC)	13	532 44 42-77	MUFFLER ASSY (208CC SS SNOW) (PPP)
6	532 42 05-83	CONNECTING ROD ASSEMBLY (208CC)	17	532 43 71-22	CARBURETOR (L10-4) (SS SNOW 208CC- W/GSKTS & SPACER)

**NOTE:** All component dimensions given in U.S. inches. 1 inch = 25.4 mm  
**IMPORTANT:** Use only Original Equipment Manufacturer (O.E.M.) replacement parts.  
 Failure to do so could be hazardous, damage your snow thrower and void your warranty.

**REPAIR PARTS SNOW THROWER - - MODEL NUMBER ST 151 (96181001402)**  
**ENGINE, LCT COMPLETE ENGINE-580811102**

KEY NO.	PART NO.	DESCRIPTION	KEY NO.	PART NO.	DESCRIPTION
18	580 94 13-01	IGNITION COIL (CDI)( WITH 2-WIRE PLUG CONNECTOR)	48	580 94 14-01	(SN <1265H WIRE HARNESS (SINGLE STAGE)-SNOW
19	N/A	N/A	49	532 43 54-95	OIL DRAIN PLUG W/WASHER (136/208/254CC)
20	532 42 49-39	SPARK PLUG	51	532 43 71-19	SHIELD - CYLINDER
22	532 42 49-75	SHIELD - FLYWHEEL - ELECTRIC START - SNOW	52	532 43 71-23	PRIMER BULB W/HOSE KIT (SINGLE STAGE)SNOW
23	532 43 80-14	FUEL HOSE KIT - SINGLE STAGE SNOW (318MM)	53	532 42 49-54	SAFETY KEY SWITCH -SNOW (INCL. KEYS)
24	532 42 92-59	SPEED CONTROL BRACKET (FIXED)	54	532 44 30-59	KEY SET - RED (2) (SNOW)
25	532 42 96-46	GOVERNOR GEAR ASSEMBLY (136/208CC)	56	532 42 92-60	CARBURETOR VAPOR SHIELD- 208CC SNOW
26	581 76 87-01	GOVERNOR ARM & LINK KIT (208CC SNOW - 3600 FIXED RPM)	60	532 44 40-90	CHARGING COIL
27	532 42 06-02	GOVERNOR ARM PADDLE	62	532 42 49-68	STARTER GRIP-SNOW
28	585 77 12-01	RECOIL STARTER (SINGLE-STAGE 78" ROPE)	65	581 37 28-01	TAPPET KIT (208/254CC) (SET OF 2)
29	532 43 69-68	STARTER CUP (USE WITH ROUND STYLE STARTER) (208CC SNOW)	69	532 42 49-51	CARBURETOR STUDS & COUPLING KIT-SNOW
30	532 42 49-71	BLOWER HOUSING - BLACK ELECTRIC START W/WELDNUT (208CC)	70	580 35 36-01	CARBURETOR REPAIR KIT (136/208/254CC)
31	532 44 37-73	CRANKCASE COVER ASSY-HOFT (PRESSED IN) (INCL. GASKET)	73	532 44 42-75	INTAKE SHIELD (208CC SS SNOW)
32	532 42 95-99	OIL SEAL KIT (2 PCS FOR 3/4-INCH CRANKSHAFT)	77	532 43 26-88	RECOIL BOLT KIT (3 BOLTS PER KIT)
34	532 43 69-66	SPARK PLUG BOOT - WITH METAL SHIELD (SNOW)	78	581 45 93-01	BREATHER TUBE BRACKET
35	532 43 71-25	230V ELECTRIC STARTER (208CC SS SNOW)	81	585 29 72-01	WOODRUFF FLYWHEEL KEYS (5-PACK) (5X6X18MM) (208/414CC)
36	532 42 96-01	ENGINE GASKET KIT (208CC)	82	585 02 05-03	208CC/254CC CARBURETOR SPACER KIT
37	532 42 09-61	SMALL BLACK OIL DIPSTICK (PLASTIC)	86	586 32 73-01	CYLINDER HEAD BOLT KIT (4) (136-179-208-254CC)
38	532 42 96-91	ROCKER ARM KIT (208CC) (INCL. GASKET)	87	586 32 69-01	CC COVER BOLT KIT (6) (179-208-254CC)
40	532 42 95-98	NON-REMOVABLE PLASTIC PLUG (136/208/254CC)	88	586 32 68-01	MUFFLER MTG STUD KIT (2)
43	580 35 34-01	BREATHER TUBE (136/208/254CC)	91	587 52 57-01	CRANKSHAFT GASKET KIT 179-208CC
47	532 44 40-91	HIGH OIL-FILL TUBE/DIPSTICK (ROUND THREADED TYPE)	9999	586 32 62-01	HIGH ALTITUDE JET (>6,000 FEET)(208CC L10-1 CARBURETOR)
			9999	579 80 64-01	BOLT KIT - BLWR HGS/HEATER BOX/TANK SKIRT

**NOTE:** All component dimensions given in U.S. inches. 1 inch = 25.4 mm  
**IMPORTANT:** Use only Original Equipment Manufacturer (O.E.M.) replacement parts.  
 Failure to do so could be hazardous, damage your snow thrower and void your warranty.