

ILLUSTRATED PARTS LIST

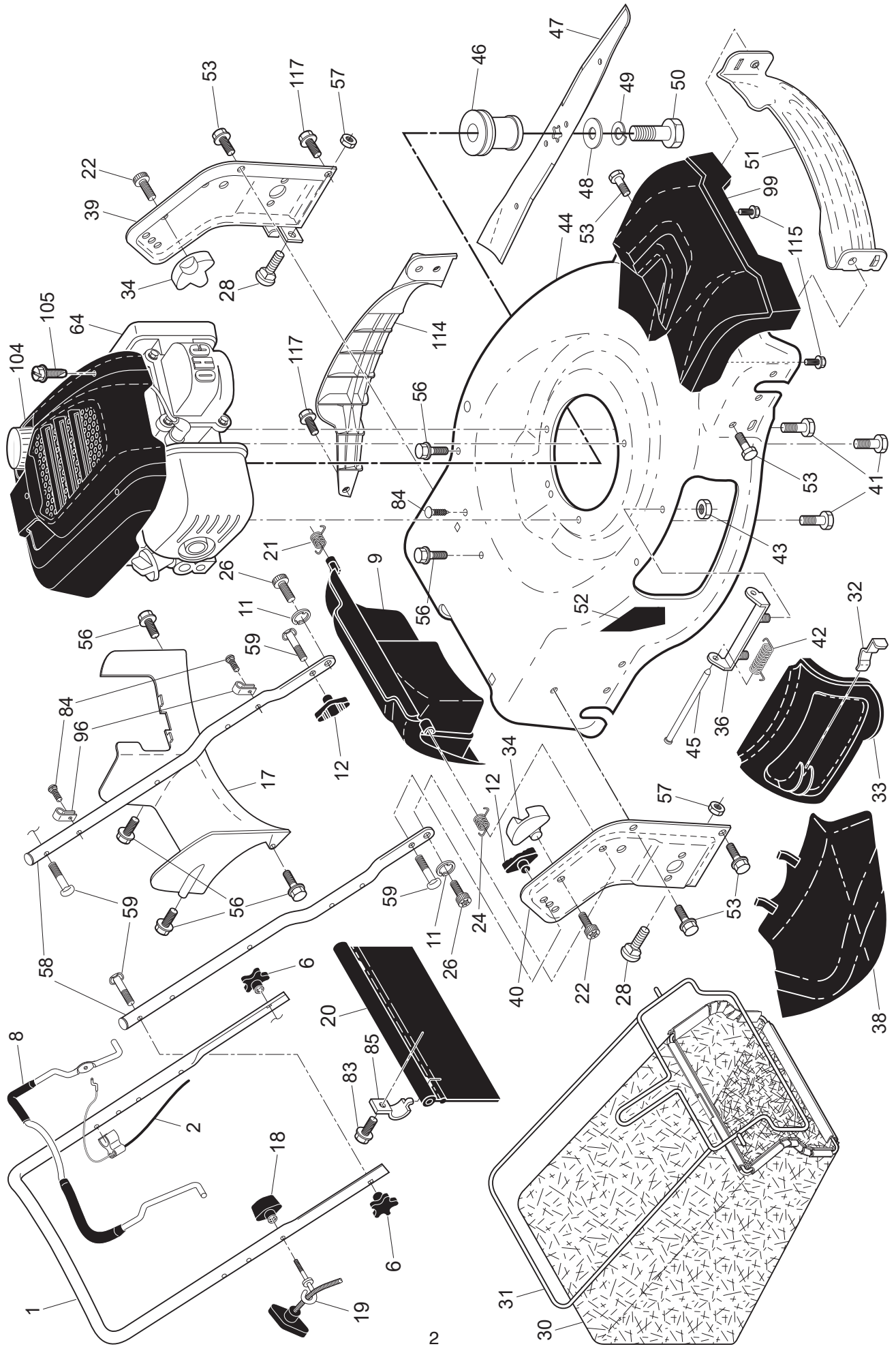


ROTARY LAWN MOWER

MODEL NUMBER HU800AWDH

MFG. ID. NUMBER 96145002104

HUSQVARNA ROTARY LAWN MOWER - MODEL NUMBER HU800AWDH (MFG. ID. NUMBER 96145002104)

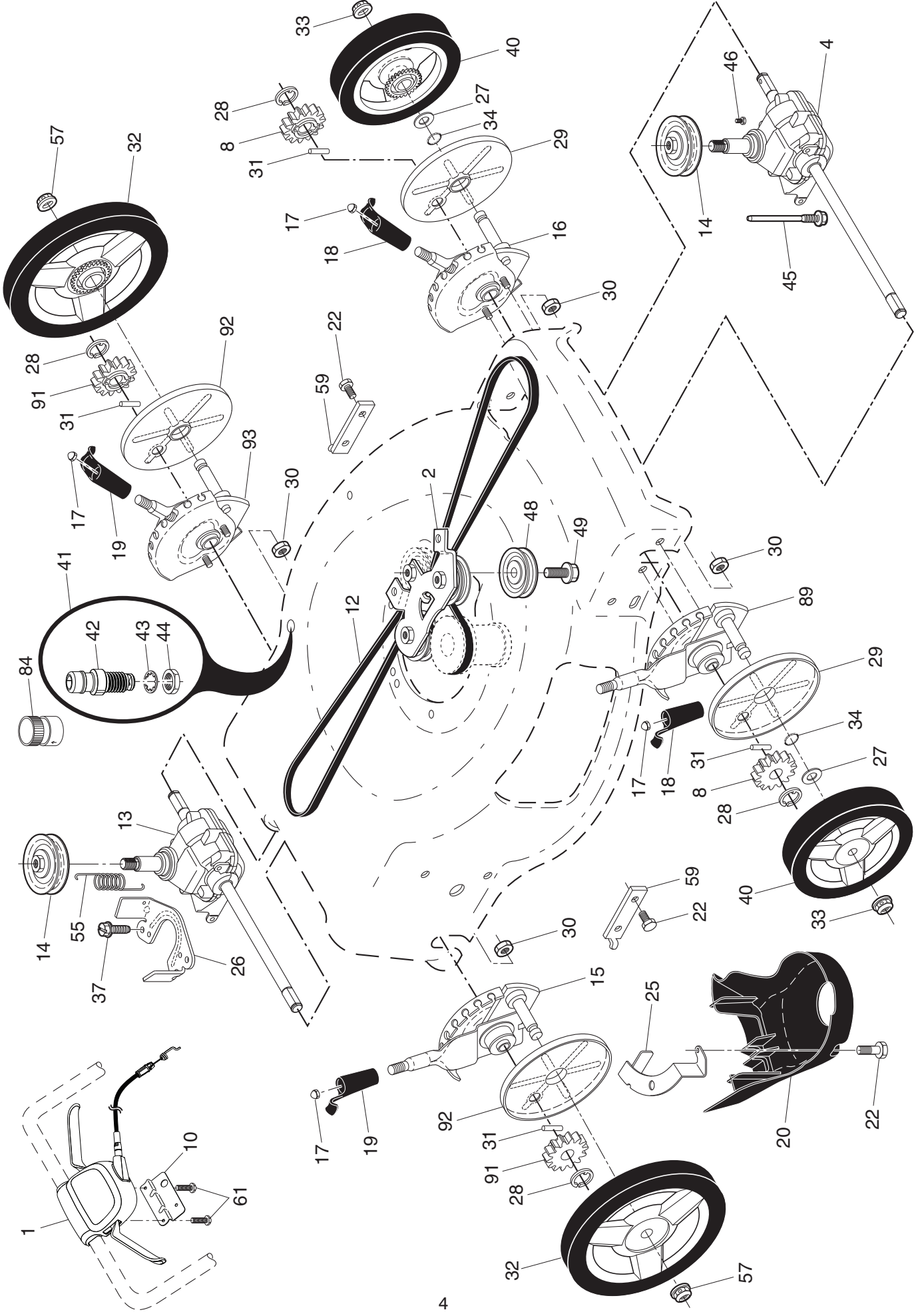


HUSQVARNA ROTARY LAWN MOWER - MODEL NUMBER HU800AWDH (MFG. ID. NUMBER 96145002104)

KEY NO.	PART NO.	DESCRIPTION	KEY NO.	PART NO.	DESCRIPTION
1	585 85 48-06	Upper Handle Assembly	45	532 17 56-50	Rod, Hinge
2	532 42 49-83	Cable, Engine Zone Control	46	591 34 47-01	Blade Adapter / Pulley
6	532 18 23-98	Handle Knob, Star	47	532 40 67-13	Blade, 22"
8	587 68 93-02	Control Bar, Overmolded	48	532 85 10-74	Washer, Flat, Hardened
9	593 30 45-01	Rear Door Assembly	49	532 85 02-63	Washer, Lock, Helical Spring
11	579 48 28-01	E-Ring, Door/Handle Pivot	50	532 85 10-84	Bolt, Hex Head, Grade 8, 3/8-24 x 1-3/8
12	532 19 19-38	Handle Knob, Standard	51	532 43 05-99	Front Baffle
17	581 78 21-01	Rear Baffle	52	532 18 21-66	Decal, Warning, Cut Finger
18	581 91 26-01	T-Knob	53	817 00 05-10	Screw
19	581 90 21-01	Rope Guide	56	817 41 13-12	Screw, Hex Washer Head #13 x 3/4
20	532 44 45-37	Rear Skirt	57	532 15 53-77	Nut, Hex
21	532 41 99-49	Spring, Rear Door, LH, Black	58	593 27 04-03	Lower Handle Asm Includes Plugs
22	532 14 18-41	Screw, Panhead, Torx #20	59	532 19 15-74	Handle Bolt
24	532 41 99-48	Spring, Rear Door, RH, Grey	64	- - -	Engine, Honda, Model Number GCV190-LA053L (For engine service and replacement parts, call Honda Engines at 1-800-426-7701)
26	532 41 99-45	Screw, Rear Door/Handle Pivot			
28	586 21 25-01	Bolt, Carriage 5/16-18 x 5/8			
30	580 94 34-02	Grassbag	83	532 75 00-97	Screw, Hex Washer Head
31	585 05 47-02	Frame, Grass Catcher	84	532 42 81-24	Fastener, Push
32	532 44 11-92	Latch, Mulcher Door	85	532 43 45-30	Mounting Bracket, Rear Skirt
33	532 41 99-27	Mulcher Door	96	532 19 79-91	Clip, Cable
34	532 43 81-34	Bracket, Grassbag	99	585 66 87-01	Front Shroud Assembly
36	532 17 57-35	Bracket, Hinge	104	580 29 00-01	Shroud, Engine
38	532 42 61-29	Discharge Deflector	105	580 76 87-01	Mounting Screw, Engine Shroud
39	585 90 07-03	Handle Bracket, LH	114	587 56 81-02	Bumper, Side
40	585 90 08-03	Handle Bracket, RH	115	581 33 00-01	Screw
41	532 15 04-06	Screw, Dogpoint 3/8-16 x 1-1/8	117	532 42 88-67	Bolt
42	532 19 30-00	Spring, Hinge	- -	532 42 38-49	Bag of Parts (Includes Key Numbers 12 and 59)
43	532 43 81-30	Nut, Hex	- -	115 72 19-32	Operator's Manual, English / French
44	581 70 83-54	Kit, Lawn Mower Housing	- -	115 72 19-46	Operator's Manual, Spanish

NOTE: All component dimensions given in U.S. inches. 1 inch = 25.4 mm. **IMPORTANT:** Use only Original Equipment Manufacturer (O.E.M.) replacement parts. Failure to do so could be hazardous, damage your lawn mower and void your warranty.

HUSQVARNA ROTARY LAWN MOWER - MODEL NUMBER HU800AWDH (MFG. ID. NUMBER 96145002104)



HUSQVARNA ROTARY LAWN MOWER - MODEL NUMBER HU800AWDH (MFG. ID. NUMBER 96145002104)

KEY NO.	PART NO.	DESCRIPTION	KEY NO.	PART NO.	DESCRIPTION
1	589 81 88-07	Drive Control Assembly (Includes Cable)	32	501 06 70-01	Wheel & Tire Assembly, Rear, 11"
2	586 07 28-02	Mounting Bracket, Idler Pulleys	33	532 40 91-48	Nut, Flangelock 3/8-16
4	589 59 92-01	Gearcase Assembly, Front	34	532 19 74-80	O-Ring
8	532 40 48-35	Pinion, Front	37	532 16 34-09	Screw, Hi-Lo Thread, #12 x 5/8
10	587 24 93-02	Mounting Bracket, Drive Control	40	580 36 53-01	Wheel & Tire Assembly, Front, 8"
12	580 36 46-10	Belt, Drive	41	532 43 84-89	Kit, Water Washout Assembly
13	581 68 08-01	Gearcase Assembly, Rear	42	532 43 49-94	Fitting, Water Washout
14	586 96 30-01	Pulley, Drive	43	532 41 55-85	Washer, Lock, Internal Tooth
15	581 75 88-03	Kit, Wheel Adjuster Assembly, RH Rear	44	532 41 55-86	Locknut, Hex, with O-Ring
16	581 75 88-06	Kit, Wheel Adjuster Assembly, LH Front	45	587 43 82-01	Belt Keeper, Gearcase, Front
17	532 41 38-08	Pushnut	46	584 29 94-01	Screw
18	532 42 61-88	Knob, Front Wheel Adjuster	48	587 97 30-01	Pulley Assembly, Idler
19	532 42 61-89	Knob, Rear Wheel Adjuster	49	581 33 45-01	Screw, Mounting, Idler Pulley
20	580 80 69-01	Debris Shield	55	581 35 13-01	Spring, Tension
22	817 00 05-10	Screw, Hex Head 5/16	57	532 40 91-49	Nut, Hex
25	532 42 60-65	Mounting Bracket, Debris Shield	59	532 44 21-13	Support Bracket
26	581 15 25-02	Belt Keeper, Gearcase, Rear	61	532 18 16-98	Screw
27	532 06 77-25	Washer, Flat	84	532 41 64-05	Adapter, Quick-Connect Coupling
28	812 00 00-58	E-Ring 7/16	89	581 75 88-05	Kit, Wheel Adjuster Assembly, RH Front
29	581 84 04-01	Dust Cover, Wheel, Front	91	587 23 24-01	Pinion, Rear
30	532 43 81-30	Nut, Hex	92	587 25 17-01	Dust Cover, Wheel, Rear
31	532 40 48-45	Pawl, Drive	93	581 75 88-04	Kit, Wheel Adjuster Assembly, LH Rear

NOTE: All component dimensions given in U.S. inches. 1 inch = 25.4 mm. **IMPORTANT:** Use only Original Equipment Manufacturer (O.E.M.) replacement parts. Failure to do so could be hazardous, damage your lawn mower and void your warranty.