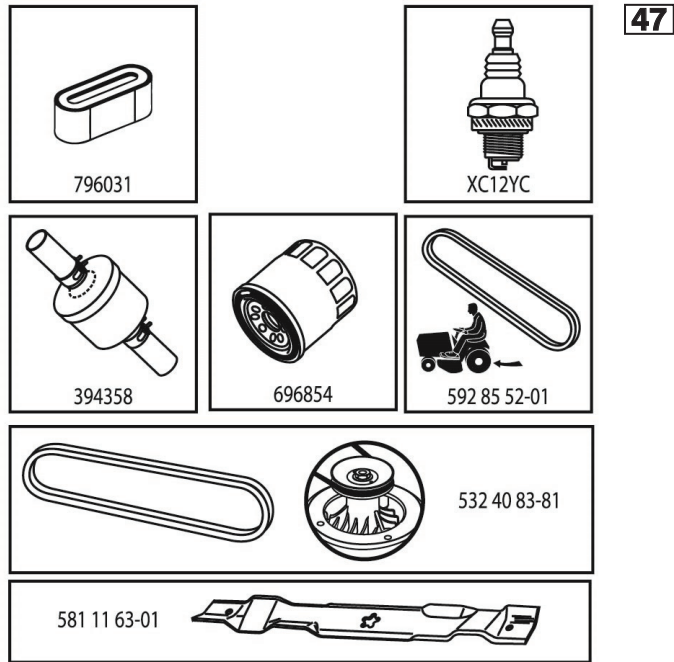


# ILLUSTRATED PARTS LIST

MODEL NO. 96041042100

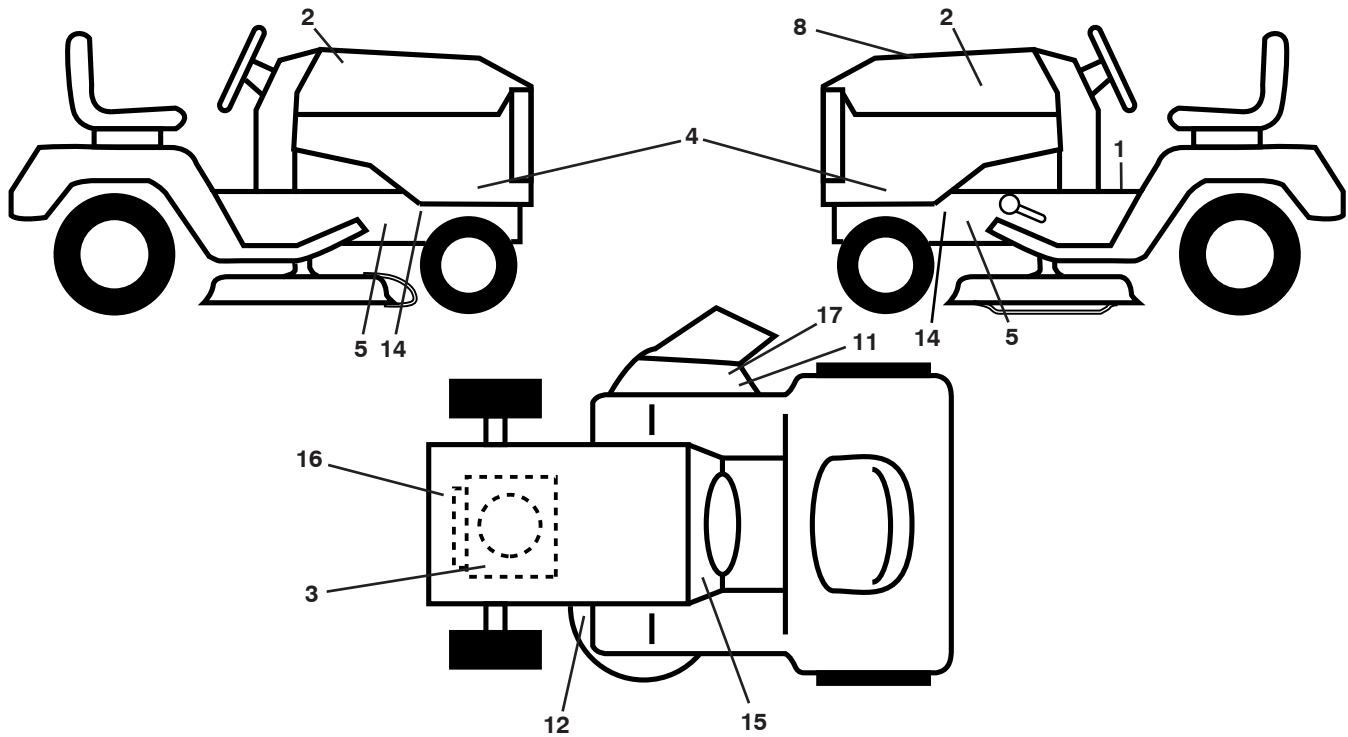
CUSTOMER CATALOG NO. TS 138

PRODUCT NO. 960 41 04-21



595838301

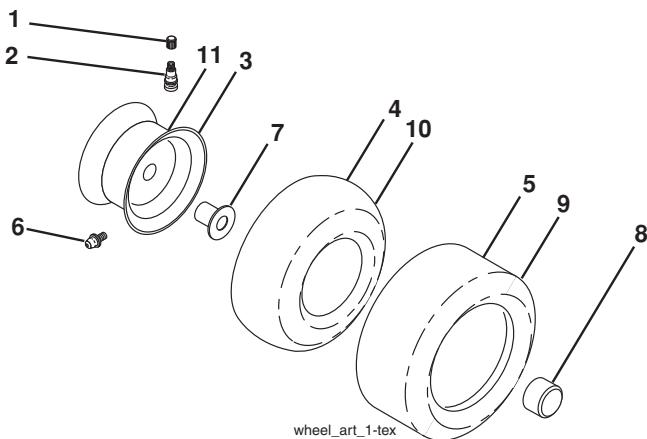
**TRACTOR - - MODEL NO. TS 138 (96041042100), PRODUCT NO. 960 41 04-21  
DECALS 27**



KEY PART NO.	PART NO.	DESCRIPTION
1	586 35 06-01	Decal, Operators
2	501 13 14-01	Hood Husq
3	581 57 97-01	Decal, Warning Eng. Symbols
4	587 40 73-01	Decal, Hood Panel
5	581 57 96-01	Decal, Chassis Hot Muffler
8	595 83 83-01	Decal, Rpl.
11	581 57 92-01	Decal, Warning
12	581 58 00-03	Decal, Mower V-Belt Schematic
14	581 57 98-01	Decal, Warning-Service/Fire
15	586 06 62-01	Decal, Snowflake
16	587 73 12-01	Decal, Eng. BS

KEY PART NO.	PART NO.	DESCRIPTION
17	584 90 46-01	Decal, Deflect. Warning
--	581 72 48-01	Decal, Bypass
--	581 72 46-01	Decal, Drawbar Load Limit
--	532 43 96-81	Pad, Footrest, LH
--	532 43 96-82	Pad, Footrest, RH
--	114 04 52-20	Manual Oper. Euro
--	114 04 25-10	Manual Oper. Scan
--	114 04 53-50	Manual Oper. Ebloc
--	114 04 54-40	Manual Oper. Baltic

**WHEELS AND TIRES**

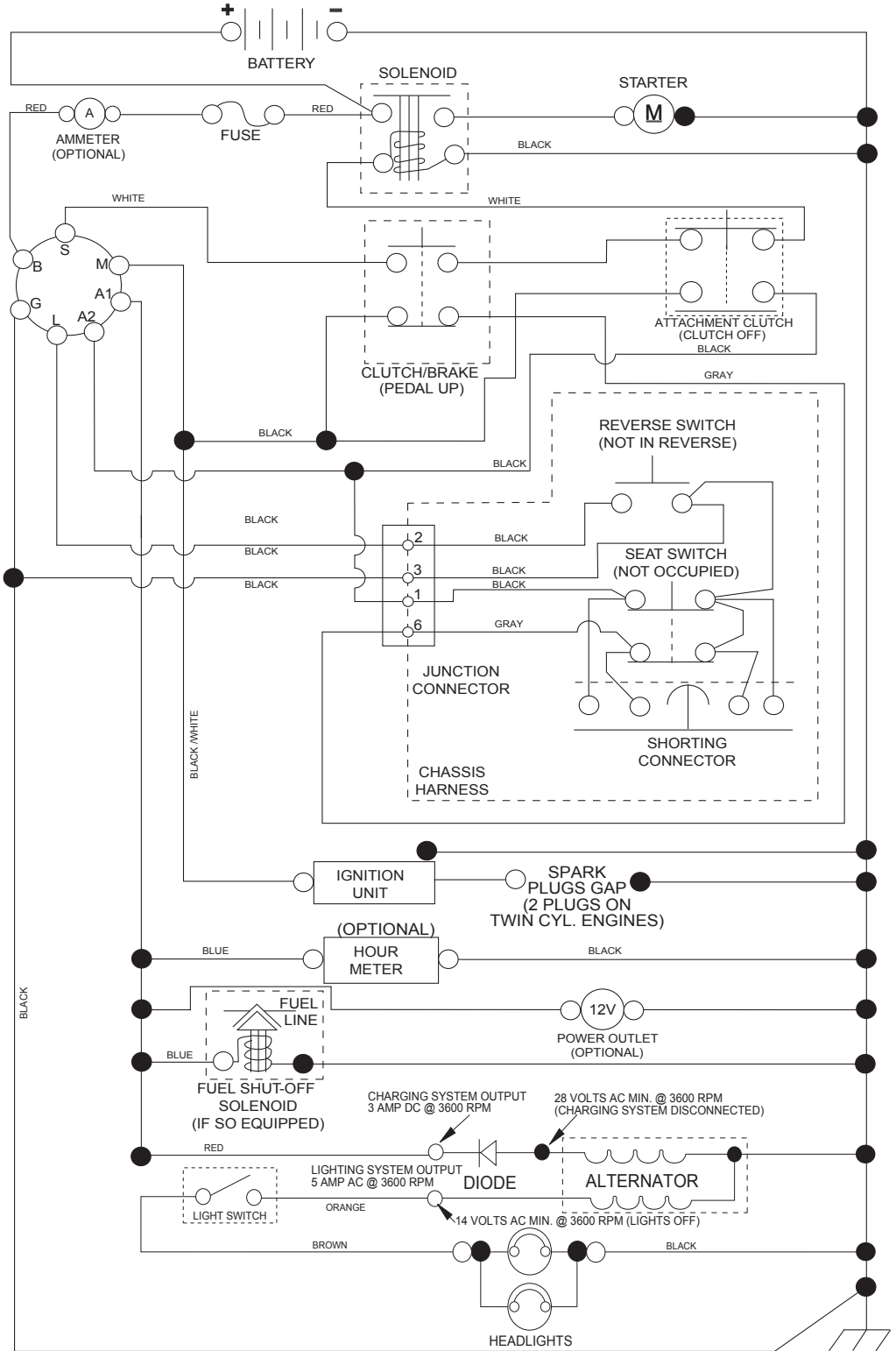


KEY PART NO.	PART NO.	DESCRIPTION
1	532 05 91-92	Cap Valve Tire
2	532 06 51-39	Stem Valve
3	532 13 83-36	Rim Asm. 6" Front
4	532 05 99-04	Tube Front (Service Item Only)
5	532 10 62-22	Tire Front 15 x 6-6
6	532 00 02-78	Fitting Grease (Front Wheel Only)
7	532 00 90-40	Bearing Flange (Front Wheel Only)
8	532 17 50-39	Cap Axle Blk. 1 50 x 1 00
9	532 12 46-35	Tire Rear 18 x 8.5-8
10	532 00 71-52	Tube Rear (Service Item Only)
11	532 13 83-37	Rim Asm. 8" Rear
--	532 14 43-34	Sealant, Tire (10 oz. Tube)

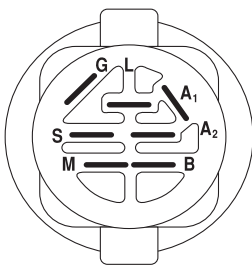
**NOTE:** All component dimensions given in U.S. inches.  
1 inch = 25.4 mm

# TRACTOR - - MODEL NO. TS 138 (96041042100), PRODUCT NO. 960 41 04-21 SCHEMATIC **38**

SCH11

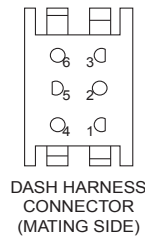
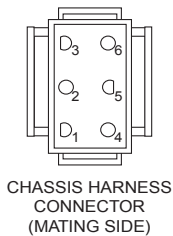


**NOTE**  
YOUR TRACTOR IS EQUIPPED WITH A SPECIAL ALTERNATOR SYSTEM. THE LIGHTS ARE NOT CONNECTED TO THE BATTERY, BUT HAVE THEIR OWN ELECTRICAL SOURCE. BECAUSE OF THIS, THE BRIGHTNESS OF THE LIGHTS WILL CHANGE WITH ENGINE SPEED. AT IDLE THE LIGHTS WILL DIM. AS THE ENGINE IS SPEEDED UP, THE LIGHTS WILL BECOME THEIR BRIGHTEST.

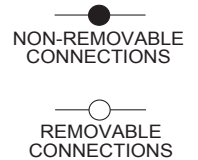


**IGNITION SWITCH**

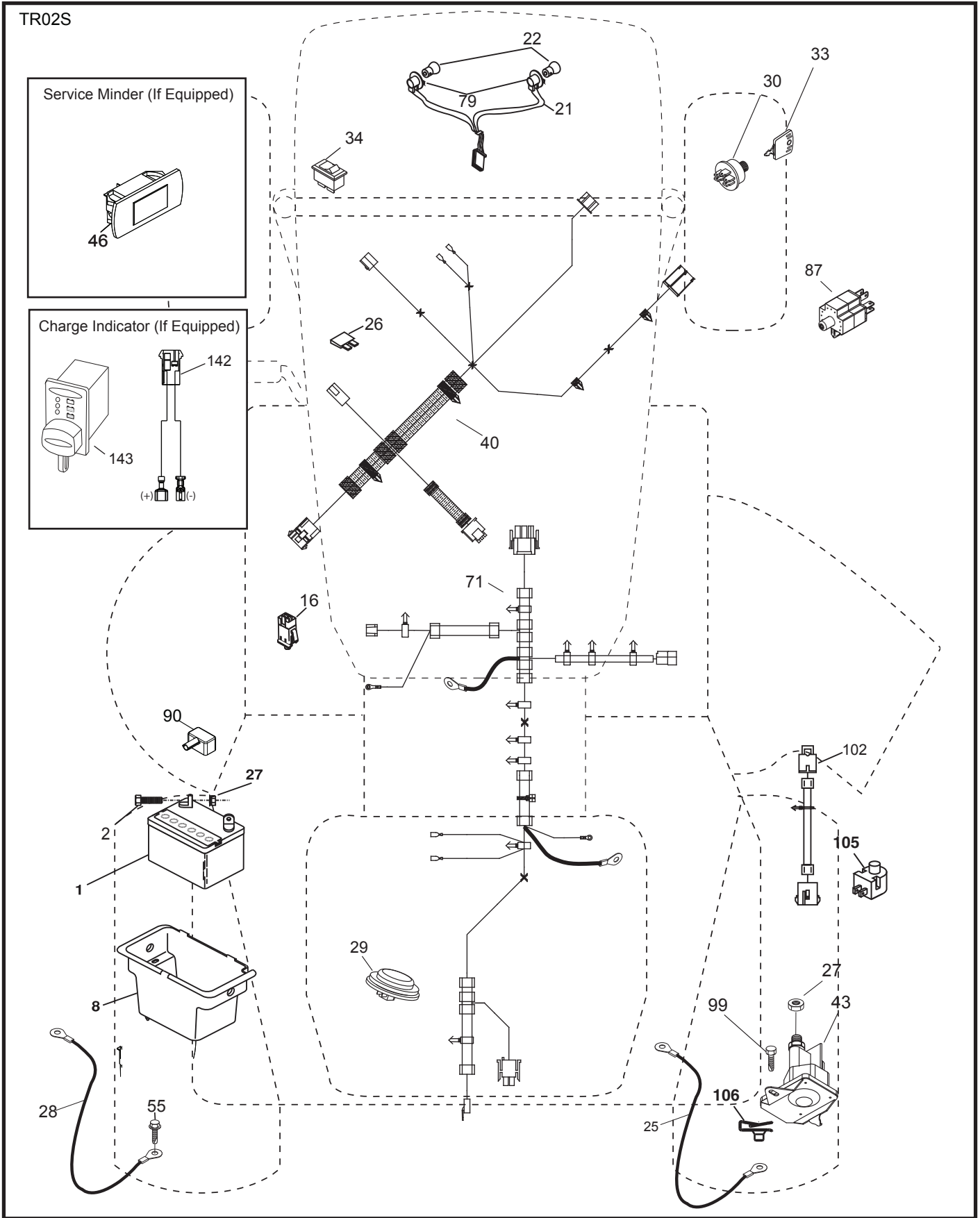
POSITION	CIRCUIT	"MAKE"
OFF	M+G+A1	
RUN/OVERRIDE	B+A1	
RUN	B+A1	L+A2
START	B + S + A1	



**WIRING INSULATED CLIPS**  
NOTE: IF WIRING INSULATED CLIPS WERE REMOVED FOR SERVICING OF UNIT, THEY SHOULD BE RE-INSTALLED TO PROPERLY SECURE YOUR WIRING.



**TRACTOR - - MODEL NO. TS 138 (96041042100), PRODUCT NO. 960 41 04-21**  
**ELECTRICAL 32**

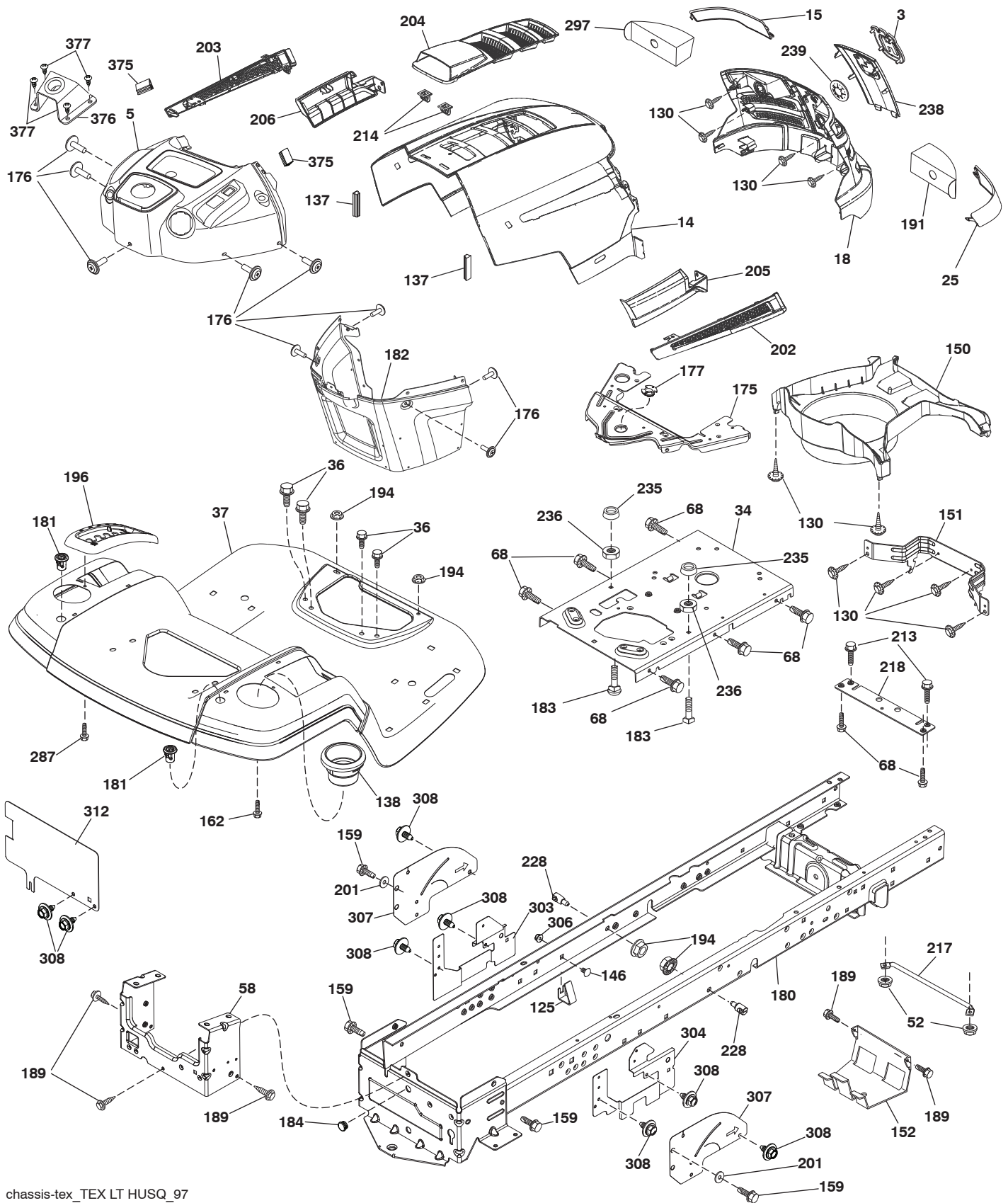


**TRACTOR - - MODEL NO. TS 138 (96041042100), PRODUCT NO. 960 41 04-21  
ELECTRICAL 32**

<b>KEY NO.</b>	<b>PART NO.</b>	<b>DESCRIPTION</b>
1	532 16 34-65	Battery
2	874 76 04-12	Bolt Hex Head 1/4-20 x 3/4
8	532 19 32-28	Box Battery
16	532 17 61-38	Switch Interlock Push-In
21	532 40 02-52	Harness Socket Light w/4152J
22	532 00 41-52	Bulb Light
25	581 49 80-01	Cable Starter
26	532 17 51-58	Fuse
27	596 13 36-01	locknut, Keps., 1/4-20
28	532 42 16-86	Cable, Ground
29	532 40 15-45	Switch, Seat
30	532 19 33-50	Switch, Ign.
33	532 41 19-35	Key/Chain
34	532 11 07-12	Switch Light/Reset
40	581 02 31-01	Harness Ign. Dash
43	582 04 28-02	Solenoid
46	594 91 91-01	Gauge Srvmdr Hrm
55	817 06 05-12	Screw Thdrol. 5/16-18 x 3/4 TYTT
71	501 13 37-01	Harness Chassis
79	532 17 52-42	Socket Asm. Bulb Twistlock
87	532 19 78-02	Switch Interlock Clutch Cable
90	532 43 53-95	Cover Terminal
99	817 67 04-12	Screw 1/4-20 x 3/4
102	532 40 44-54	Harness Pigtail
105	532 40 75-68	Switch Reverse
106	532 17 48-14	Palnut 1/4 Lugs

**NOTE:** All component dimensions given in U.S. inches.  
1 inch = 25.4 mm

TRACTOR - - MODEL NO. TS 138 (96041042100), PRODUCT NO. 960 41 04-21  
CHASSIS AND ENCLOSURES **39**



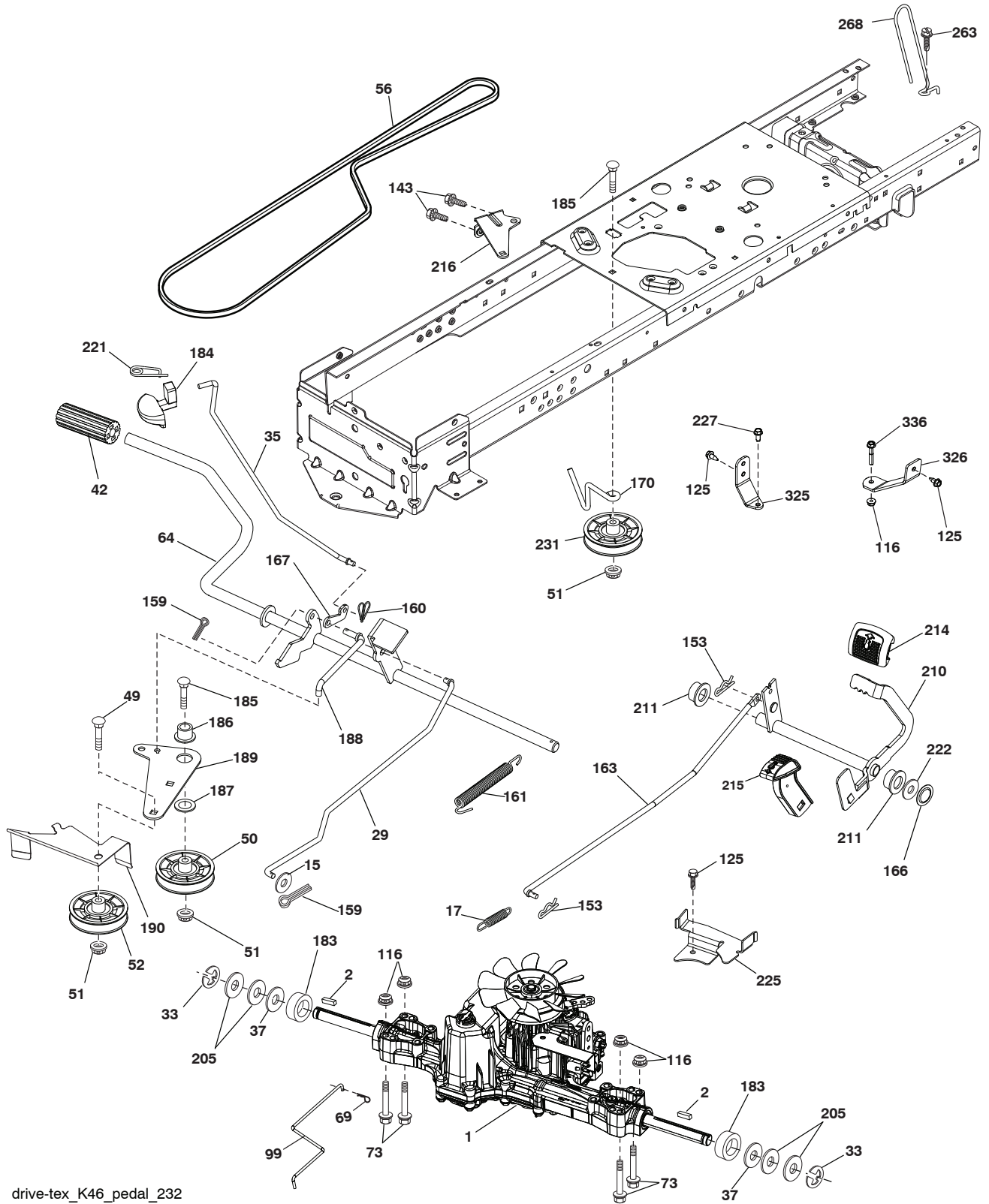
chassis-tex\_TEX LT HUSQ\_97

**TRACTOR - - MODEL NO. TS 138 (96041042100), PRODUCT NO. 960 41 04-21  
CHASSIS AND ENCLOSURES 39**

KEY NO.	PART NO.	DESCRIPTION	KEY NO.	PART NO.	DESCRIPTION
3	581 05 63-01	Logo	196	532 43 96-47	Console Asm. Deck Lift
5	585 52 98-05	Dash	201	819 13 20-16	Washer 13/32 x 1-1/4 x 16 Ga.
14	532 44 12-67	Hood	202	532 44 13-42	Vent Side Hood RH
15	532 44 14-28	Lens LH	203	532 44 13-43	Vent Side Hood LH
18	532 44 13-68	Grille	204	532 44 13-75	Vent Top Hood
25	532 44 14-27	Lens RH	205	532 44 13-44	Skirt Side RH
34	580 91 08-01	Plate Engine	206	532 44 13-45	Skirt Side LH
36	817 06 05-12	Screw 5/16-18 x 3/4	213	596 03 05-01	Bolt, Hex, Hd. 5/16-18 unc x 3/4
37	532 44 12-06	Fender	214	532 19 91-45	Clip Retainer
52	596 04 05-01	Nut, Lock, Hex. Prvl. 5/16-18	217	532 40 91-67	Rod Pivot Hood
58	532 41 22-80	Drawbar Upper	218	532 19 63-95	X-Piece Hood Stop
68	596 03 07-01	Screw, Hexagon, 5/16-18 X 1/2	228	593 82 40-01	Stud, W/"d"anti-rotation
125	581 68 48-01	Clip Fuel Line	235	596 56 42-01	Spacer, Fender, Clr. Zn
130	596 32 17-01	Screw, #10 X 0.750, Bos. Thread	236	873 93 05-00	Nut Lock 5/16-18 unc
137	532 40 75-90	Bumper Dash	238	532 44 13-74	Trim
138	532 43 97-47	Cupholder	239	532 40 48-83	Clip Tinnerman
146	581 85 79-01	Bolt 3/8-16 x 5/8	287	817 60 04-06	Screw Hex WASHEAD 1/4-20 x 3/8
150	532 40 66-62	Air Duct	297	532 40 66-65	Insert Reflective LH
151	532 40 78-07	Bracket Pivot	303	589 00 81-02	Shield LH Lwr
152	532 19 95-35	Shield Browning	304	589 00 90-02	Shield RH Lwr
159	817 00 06-12	Screw 3/8 - 16 x 3/4	306	873 90 06-00	Nut Lock 3/8-16
162	596 13 41-01	Screw, Hex. Tap. 1/4-15 X 1/2	307	587 49 46-01	Shield Upper Pedal
175	532 19 94-72	Crossmember	308	532 17 18-77	Bolt 5/16-18 unc x 3/4
176	532 40 07-76	Screw 10-24 x 5/8	312	589 00 67-02	Shield Drawbar French
177	532 19 52-28	Bushing Steering	375	586 90 82-01	Dash Clip-On Bumper
180	532 41 50-63	Chassis	376	589 45 87-01	Mount Asm. Husq LT Upper Strng
181	532 43 97-46	Bushing Mtg. Fender Cargo	377	589 45 53-01	Screw 10 x 1/2 ZN PL Phil Pan AB
182	532 40 71-76	Dash Lower			
183	595 30 57-01	Screw, Hexagon, 5/16-18 X 1-1/4			
184	587 55 41-01	Plug			
189	817 00 05-12	Screw 5/16-18 x 3/4			
191	532 41 65-01	Insert Reflective RH			
194	596 13 57-01	Nut, Lock, Prvl. Torq. 5/16-18X.68			

**NOTE:** All component dimensions given in U.S. inches.  
1 inch = 25.4 mm

TRACTOR - - MODEL NO. TS 138 (96041042100), PRODUCT NO. 960 41 04-21  
DRIVE **40**



drive-tex\_K46\_pedal\_232

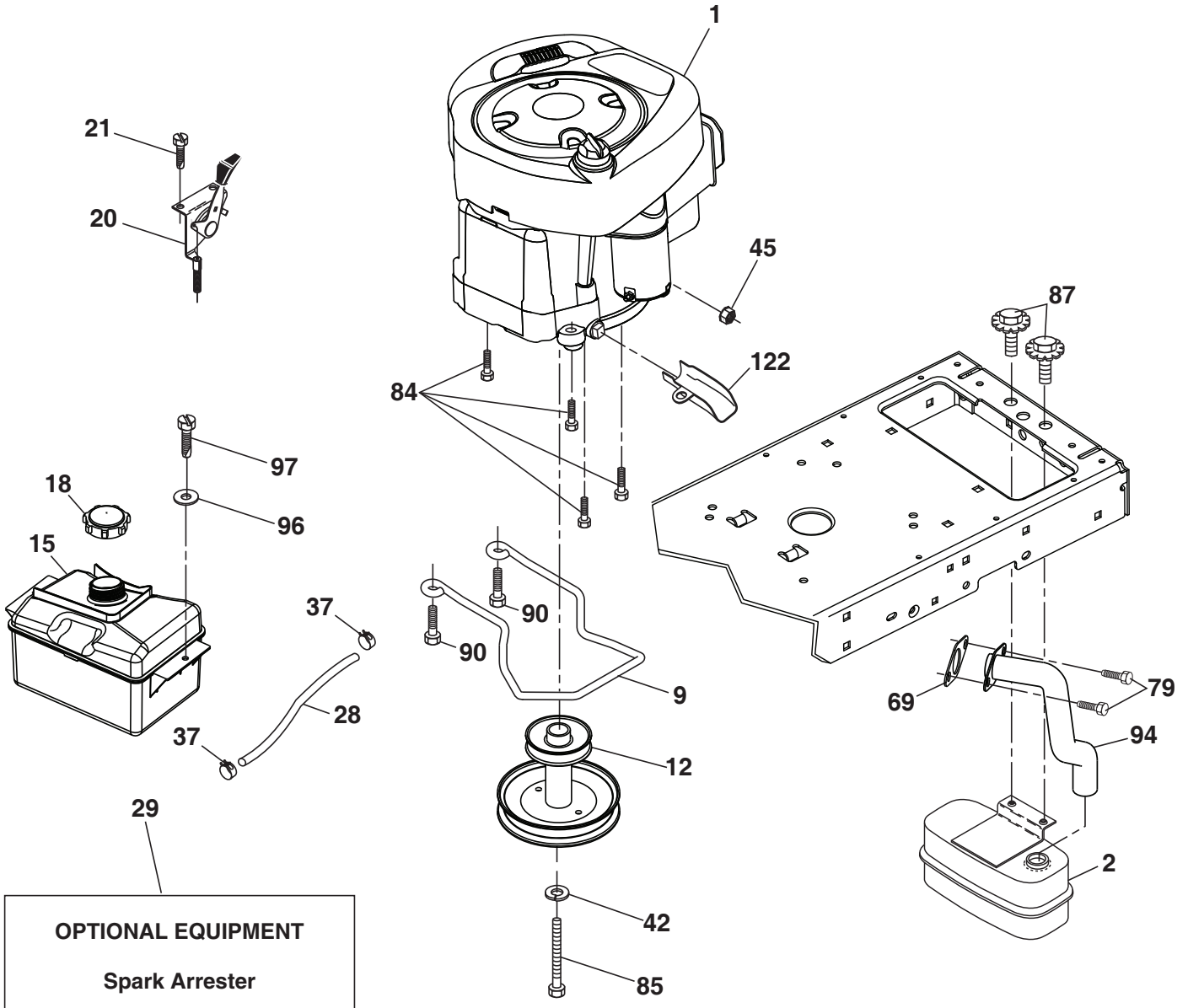


**TRACTOR - - MODEL NO. TS 138 (96041042100), PRODUCT NO. 960 41 04-21  
DRIVE **40****

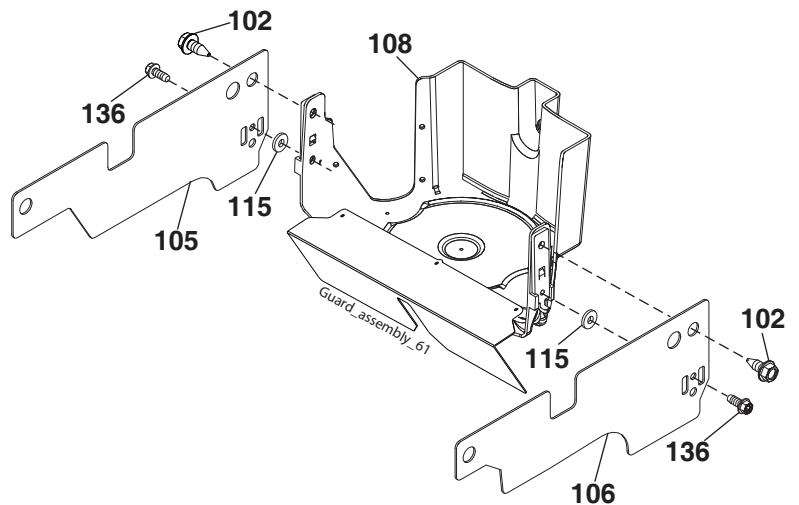
<b>KEY NO.</b>	<b>PART NO.</b>	<b>DESCRIPTION</b>	<b>KEY NO.</b>	<b>PART NO.</b>	<b>DESCRIPTION</b>
1	-----	Transaxle, Tufftorq K46BT (426120) (Order parts from trans-axle manufacturer.)	170	532 41 34-30	Keeper Center Span
2	532 12 35-83	Key Square	183	532 13 70-57	Spacer Axle
15	596 56 53-01	Washer 3/8 x 0.08", St . Clr. Zinc	184	532 41 14-84	Handle Parking Brake
17	532 41 36-78	Spring, Brake	185	872 11 06-22	Bolt
29	532 40 38-06	Rod, Brake	186	532 19 43-21	Spacer Retainer
33	812 00 00-01	Ring E	187	596 13 55-01	Washer, 13/32 x 2, Clear, Zinc
35	596 87 48-01	Rod, Control, Park, Txlt. Clr. Zinc	188	582 21 70-01	Link Clutch Ground Drive
37	532 18 89-67	Washer Harden .793 x 1.637 x 060	189	532 19 43-17	Bellcrank Ground Drive
42	532 00 88-83	Cover, Foot Pedal	190	532 19 43-18	Keeper Bellcrank Ground Drive
49	596 13 62-01	Bolt, Cup, Head, 3/8-16 x 3/4	205	532 12 17-48	Washer 25/32 x 1-5/8 x 16 Ga.
50	532 19 43-27	Pulley Idler Flat	210	532 40 09-80	Rocker Asm. Pedal Control
51	873 90 06-00	Lock Nut 3/8-16	211	532 12 01-83	Bearing Nylon
52	532 19 43-26	Idler V-Groove 910" Offset	214	532 42 12-63	Pedal Forward Pad
56	592 85 52-01	V-Belt, Drive	215	586 60 65-02	Pedal Reverse
64	532 19 78-65	Shaft Asm. Pedal Brake Control	216	532 19 61-31	Bracket Pulley Idler
69	532 42 33-03	Hairpin Soft Zinc .059 x 1.125	221	532 40 31-87	Retainer Spring Clip Handle
73	596 13 65-01	Bolt, Hex, Head, 5/16-18 x 1-1/2	222	879 21 20-10	Washer 21/32 x 1-1/4 10 Ga.
99	582 40 45-01	Rod Bypass LT K46, K57	225	532 40 33-19	Keeper Belt Transaxle
116	596 13 57-01	Nut, Lock, Prvl. Torq. 5/16-18 x .68	227	596 13 59-01	Bolt, Hex, 5/16-18 x 3/4, Clr. Znc
125	817 00 05-12	Screw 5/16-18 x 3/4	231	532 40 72-87	Idler V-Groove
143	596 03 07-01	Screw.Hexagon.5/16-18 x 1/2	263	817 00 06-12	Screw Thdr 3/8-16 x 3/4
153	532 00 44-97	Retainer Spring 1"	268	596 88 78-01	Guard, Muffler, B&S, OHV
159	596 02 95-01	Pin, Cotter, 1/8 Dia. x 3/4	325	586 00 11-02	Torque Brkt RH
160	596 02 94-01	Clip, Retainer "M"	326	586 43 12-02	Torque Strap LH
161	532 10 57-09	Spring, Return, Clutch	336	587 25 96-02	Bolt, 5/16-18 x 1-3/4
163	593 86 10-01	Rod, Ctrl., K57R, K46			
166	532 42 91-64	Nut Push			
167	532 40 52-57	Latch Brake Parking			

**NOTE:** All component dimensions given in U.S. inches.  
1 inch = 25.4 mm

TRACTOR - - MODEL NO. TS 138 (96041042100), PRODUCT NO. 960 41 04-21  
ENGINE 24



engine-tex\_BS\_119



**TRACTOR - - MODEL NO. TS 138 (96041042100), PRODUCT NO. 960 41 04-21  
ENGINE 24**

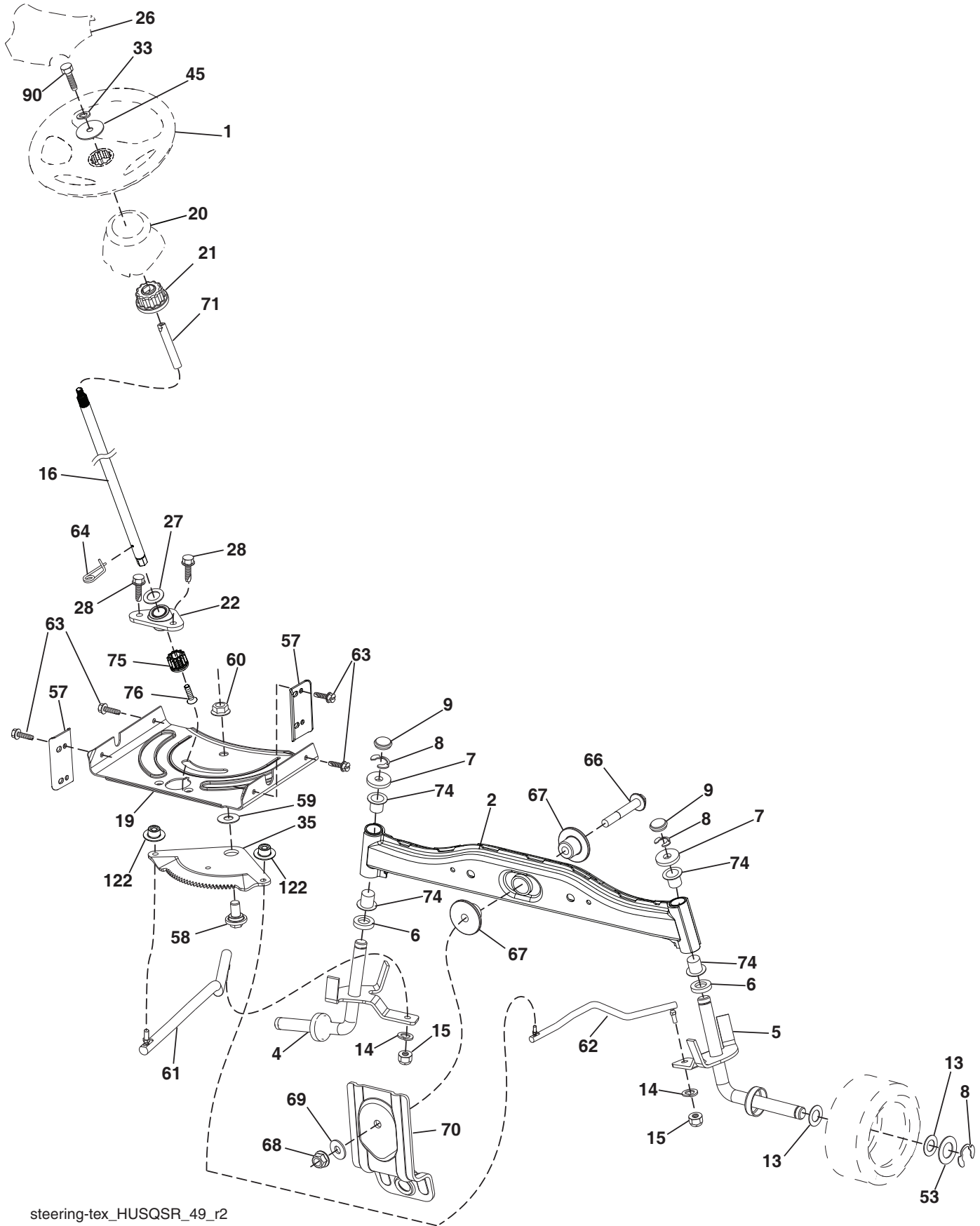
KEY NO.	PART NO.	DESCRIPTION
1	-----	Engine Briggs Model No. 31R577-0027-B1 (587333501) (Order parts from engine manufacturer.)
2	532 18 86-55	Muffler
9	501 83 26-02	Keeper Belt Engine
12	586 47 85-01	Pulley Engine
15	581 28 99-01	Tank Fuel
18	532 43 02-20	Cap Asm
20	587 24 26-01	Control Throttle
21	596 32 17-01	Screw, #10 X 0.750, Bos. Thread
28	532 13 70-40	Fuel Line
29	532 13 71-80	Spark Arrester Kit
37	532 12 34-87	Clamp Hose
42	596 23 89-01	Washer, 7/16 In. Clr. Zn
45	596 13 36-01	Locknut, keps. 1/4-20
69	532 16 52-91	Gasket
79	596 13 42-01	Screw, Hex, Socket, 5/16-18 x 3/4
84	817 06 06-20	Screw 3/8-16 x 1/4
85	501 60 65-01	Bolt Hex 7/16-20 x Gr. 5-1.5
87	532 17 18-77	Bolt 5/16-18 unc x 3/4 w/Sems
90	817 00 06-16	Screw 3/8-16 x 1
94	581 88 09-01	Exhaust Tube
96	596 13 53-01	Washer, Plain, 9/32 X 7/8, Clr. Zn
97	817 67 04-12	Screw 1/4-20 x 3/4
102	817 00 05-12	Screw
105	501 26 72-02	Shield Side LH
106	501 26 82-02	Shield Side RH
108	587 17 95-09	Cover Eng. Pulley w/SHLD 38", 42"
115	532 43 17-61	Palnut #10
122	532 42 19-22	Extension Drain Oil
136	596 43 40-01	Screw, #10 x 0.500, Bos. Thread

**NOTE:** All component dimensions given in U.S. inches.  
1 inch = 25.4 mm

**Engine Power Rating Information**

The gross power rating for individual gas engine models is labeled in accordance with SAE (Society of Automotive Engineers) code J1940 (Small Engine Power & Torque Rating Procedure), and rating performance has been obtained and corrected in accordance with SAE J1995 (Revision 2002-05). Torque values are derived at 3060 RPM; horsepower values are derived at 3600 RPM. Actual gross engine power will be lower and is affected by, among other things, ambient operating conditions and engine-to-engine variability. Given both the wide array of products on which engines are placed and the variety of environmental issues applicable to operating the equipment, the gas engine will not develop the rated gross power when used in a given piece of power equipment (actual "on-site" or net power). This difference is due to a variety of factors including, but not limited to, accessories (air cleaner, exhaust, charging, cooling, carburetor, fuel pump, etc.), application limitations, ambient operating conditions (temperature, humidity, altitude), and engine-to-engine variability. Due to manufacturing and capacity limitations, Briggs & Stratton may substitute an engine of higher rated power for this Series engine.

**TRACTOR - - MODEL NO. TS 138 (96041042100), PRODUCT NO. 960 41 04-21**  
**STEERING ASSEMBLY [41]**



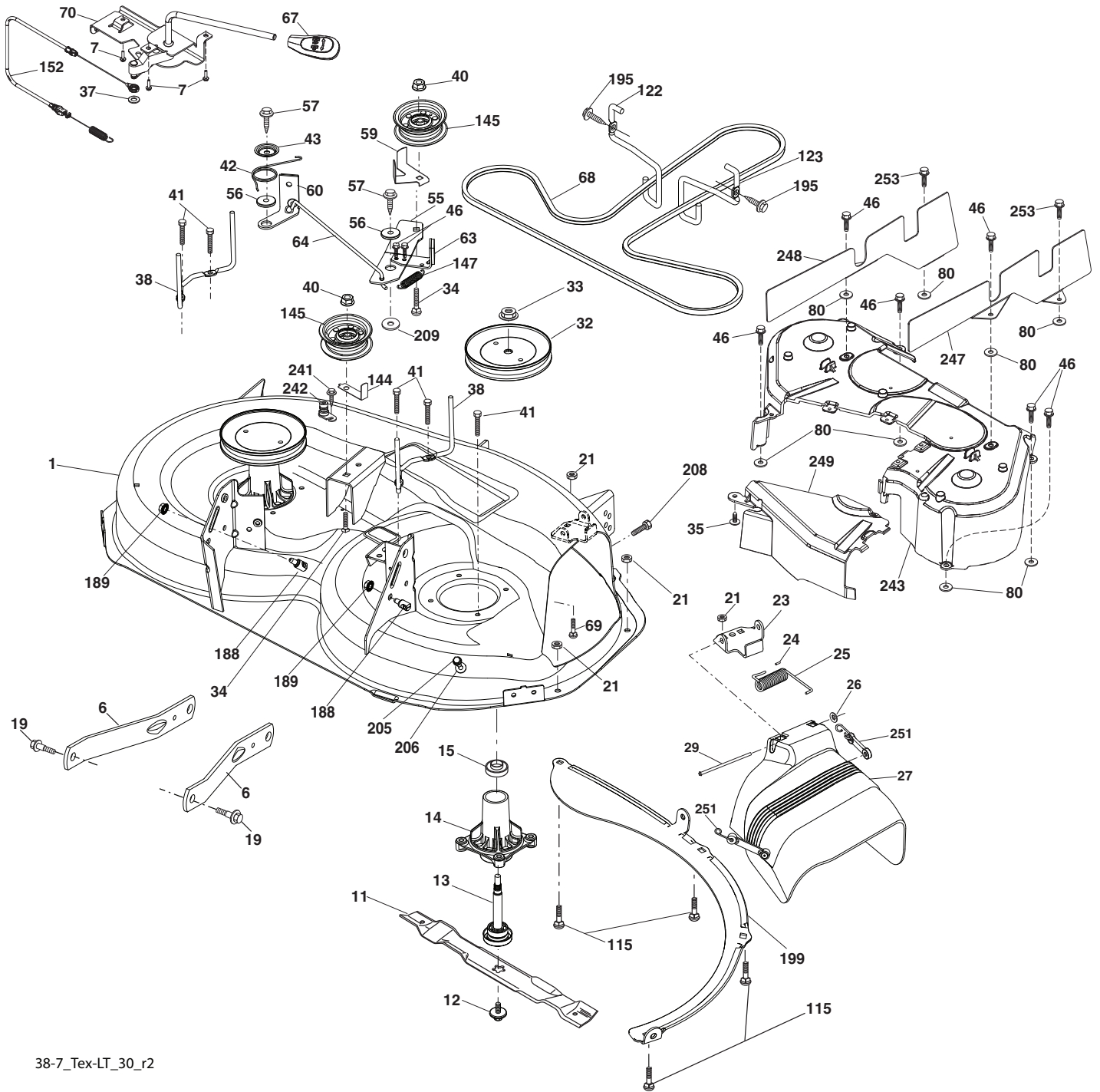
steering-tex\_HUSQSR\_49\_r2

**TRACTOR - - MODEL NO. TS 138 (96041042100), PRODUCT NO. 960 41 04-21  
STEERING ASSEMBLY 41**

<b>KEY NO.</b>	<b>PART NO.</b>	<b>DESCRIPTION</b>
1	532 43 99-97	Wheel, Steering Husq SR
2	532 41 81-68	Axle Asm., Front
4	532 40 30-87	Spindle Asm., LH
5	532 40 30-88	Spindle Asm., RH
6	532 00 62-66	Washer, thrust, .75 x 1.230
7	532 12 17-48	Washer 25/32 x 1-5/8 x 16 Ga.
8	812 00 00-29	Ring, Clip #T5304-75
9	532 12 12-32	Cap, Spindle
13	532 12 17-49	Washer 25/32 x 1-1/4 x 16 Ga.
14	596 23 87-01	Washer, Spring, Lock, .381 Dx, .680
15	873 54 06-00	Nut, Crown Lock 3/8-24 unf
16	585 86 92-02	Steering Shaft
19	532 19 47-29	Plate Steering
20	532 44 14-25	Boot, Steering
21	532 18 67-37	Adapter, Wheel Steering
22	585 02 98-02	Bearing
26	532 43 97-43	Insert, Wheel Steering Husq SR
27	596 93 34-01	Washer, Plain
28	817 00 06-12	Screw 3/8-16 x 3/4
33	596 23 88-01	Washer, Lock, 5/16, Sqr. End, zn
35	532 19 47-32	Gear, Sector Plate
45	596 04 00-01	Washer, 11/32 x 2-3/8" Clr. zn
53	532 18 89-67	Washer Hardened .793 x 1.637 x .060
57	532 40 74-65	Bracket Upstop
58	532 19 47-47	Bolt Shoulder Sector Pivot CFM
59	532 19 47-48	Washer Thrust Sector Steering
60	873 97 10-00	Nut Flange Lock 5/8-11
61	597 04 78-02	Linkage, Asm., Draglink, LH, raw
62	597 04 79-02	Linkage, Asm., Draglink, RH, raw
63	817 00 05-12	Screw 5/16-18 x 3/4
64	532 19 98-49	Retainer Clip Spring Steering
66	871 02 07-48	Bolt Hex Fghd. 7/16-14 x 3 Serr.
67	532 19 47-37	Bushing PM Front Axle
68	873 90 07-00	Nut Lock Flange 7/16-14 Gr. 5
69	532 19 91-62	Washer 1.5 x .505 x .118
70	585 33 88-01	Bracket Deck Susp. Front
71	532 19 07-52	Shaft Extension Steering
74	532 00 33-66	Bearing, Col., Strg., Blk
75	580 68 37-01	Pinion
76	580 68 36-01	Screw Head Sock
90	596 03 90-01	Screw, Pan, Hd. Rolling, 10-24 x 5/8
122	532 44 49-62	Cap Gear Sector

**NOTE:** All component dimensions given in U.S. inches.  
1 inch = 25.4 mm

TRACTOR - - MODEL NO. TS 138 (96041042100), PRODUCT NO. 960 41 04-21  
MOWER DECK 44



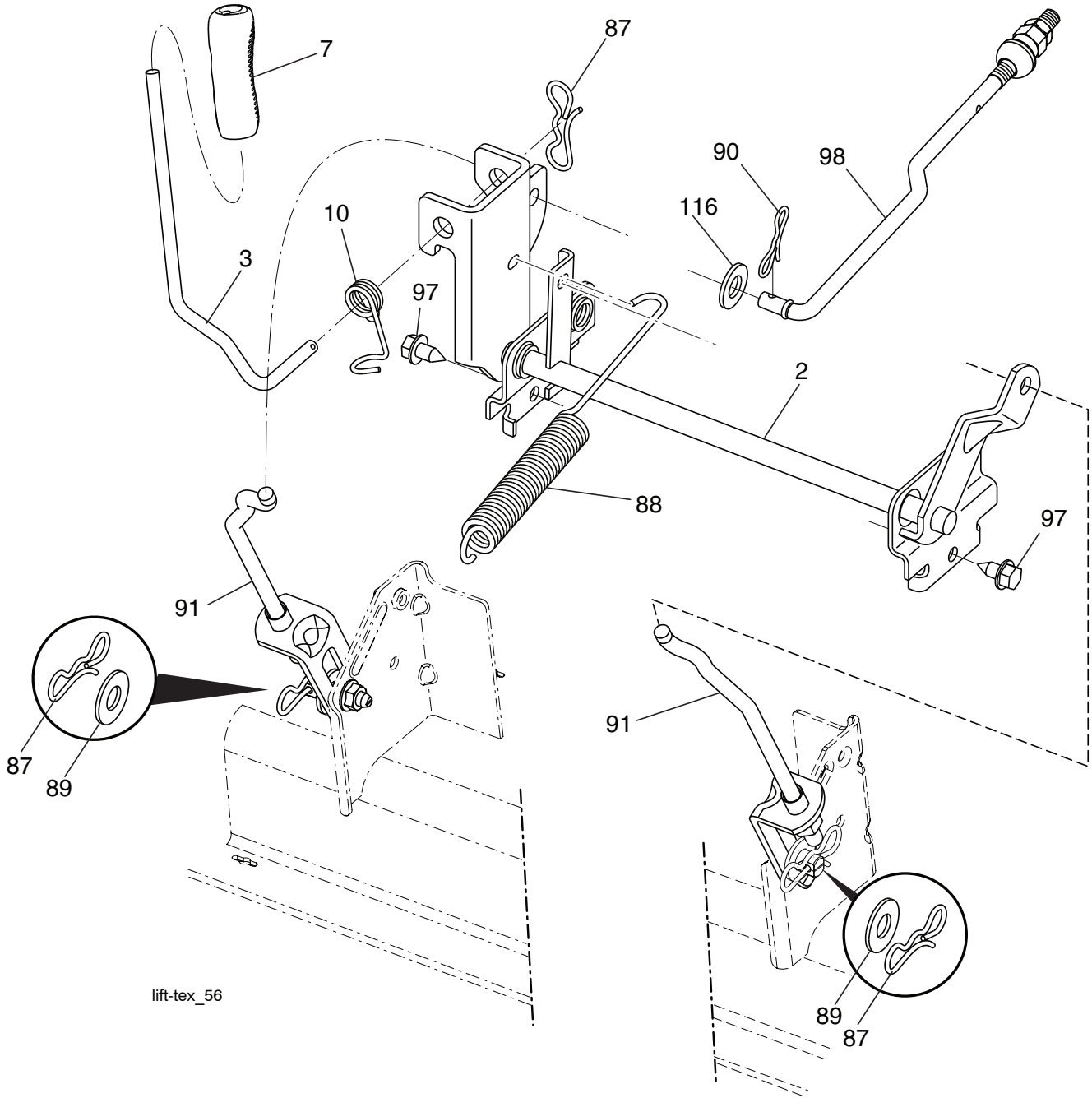
38-7\_Tex-LT\_30\_r2

**TRACTOR - - MODEL NO. TS 138 (96041042100), PRODUCT NO. 960 41 04-21  
MOWER DECK 44**

KEY NO.	PART NO.	DESCRIPTION	KEY NO.	PART NO.	DESCRIPTION
1	532 43 44-63	Kit, SVC, Weldment	80	532 42 30-62	Pal Nut
6	532 19 51-86	Arm Suspension	115	872 11 05-05	Bolt Carr. 5/16-18x5 18 Short
7	596 32 17-01	Screw, #10 x 0.750, Bos. Thread	122	532 19 72-58	Keeper Belt Engine LH
11	581 11 63-01	Blade 38" 2N1	123	532 19 72-59	Keeper Belt Engine RH
12	584 30 93-01	Screw 7/16-20 x 1 Hex	144	532 19 34-14	Keeper Belt
13	587 25 65-01	Shaft Assembly, Mandrel	145	532 19 31-97	Pulley, Idler, Flat
14	532 18 72-81	Housing, Mandrel	147	532 40 18-72	Spring Return
15	585 32 39-01	Bearing, Mandrel	152	532 43 51-11	Manual Clutch Cable
19	532 19 65-39	Bolt, Shoulder	188	593 82 40-01	Stud, W/"D" Anti-Rotation
21	596 04 05-01	Nut, lock, Hex, Prvl. 5/16-18	189	596 13 57-01	Nut, Lock, Prvl. Torq. 5/16-18 x .68
23	532 19 25-57	Bracket, Deflector	195	817 00 06-12	Screw 3/8-16 x 3/4
24	532 10 53-04	Cap, Sleeve	199	532 40 00-95	Baffle Vortex
25	532 19 70-26	Spring, Torsion, Deflector	205	817 49 04-16	Screw 1/4-20 x 1
26	532 11 04-52	Nut, Push	206	596 13 53-01	Washer, Plain, 9/32 x 7/8, Clr. Zn
27	532 40 16-18	Shield, Deflector	208	817 67 06-08	Screw 3/8-16 x 1/2
29	595 29 70-01	Rod, Hinge	209	596 13 55-01	Washer, 13/32 x 2, Clear, Zinc
32	532 19 97-89	Pulley, Mandrel	241	532 15 29-27	Screw TT #10-32.5 3/8 Flange
33	596 13 48-01	Nut, Hex, 9/16-18 x 1.010	242	532 41 55-98	Port Washout
34	596 13 61-01	Bolt, Cup, Head, 3/8-16 x 1-1/2"	243	532 40 65-10	Cover Assy
35	532 13 38-35	Fastener, Christmas Tree	247	589 00 94-02	Shield Deck RH Assy
37	596 56 53-01	Washer, 3/8 x 0.08", St. Clr. Zinc	248	589 00 95-02	Shield Deck LH Assy
38	532 19 95-41	Keeper Belt LH Mandrel	249	532 40 65-14	Cover Cable Clutch
40	873 90 06-00	Nut, Lock Flg. 3/8-16 unc	251	532 43 60-87	Kit Bungee (Includes Phillips head screw, weld nut, screw, bungee latch, and bungee strap)
41	584 95 39-01	Bolt Hex 313 - 18 x 1.19			
42	532 19 84-10	Spring Torsion Brake			
43	532 19 72-56	Spring Torsion Retainer	253	532 42 73-50	Rivet
46	532 13 77-29	Screw 1/4-20 x 5/8	--	587 25 33-01	Mandrel Assembly (Includes housing (key# 14), shaft assembly (key# 13), and bearing (key# 15) only - pulley/nut/washer and blade bolt/washers not included.)
55	532 19 72-49	Arm, Idler			
56	532 19 90-92	Spacer, Retainer			
57	817 00 06-16	Screw 3/8-16 x 1			
59	532 14 10-43	Guard, Tuv. Idler			
60	532 19 94-71	Arm Brake Mower	--	532 44 33-58	Replacement Mower, Complete
63	532 19 94-70	Arm Brake Mower			
64	532 19 97-90	Link Brake			
67	532 40 30-12	Handle Clutch Cable			
68	532 40 83-81	V-Belt			
69	596 13 64-01	Bolt, Cup, Head, 5/16-18 x 5/8			
70	532 40 12-46	Clutch Asm. Manual			

**NOTE:** All component dimensions given in U.S. inches.  
1 inch = 25.4 mm

**TRACTOR - - MODEL NO. TS 138 (96041042100), PRODUCT NO. 960 41 04-21**  
**MOWER LIFT 45**



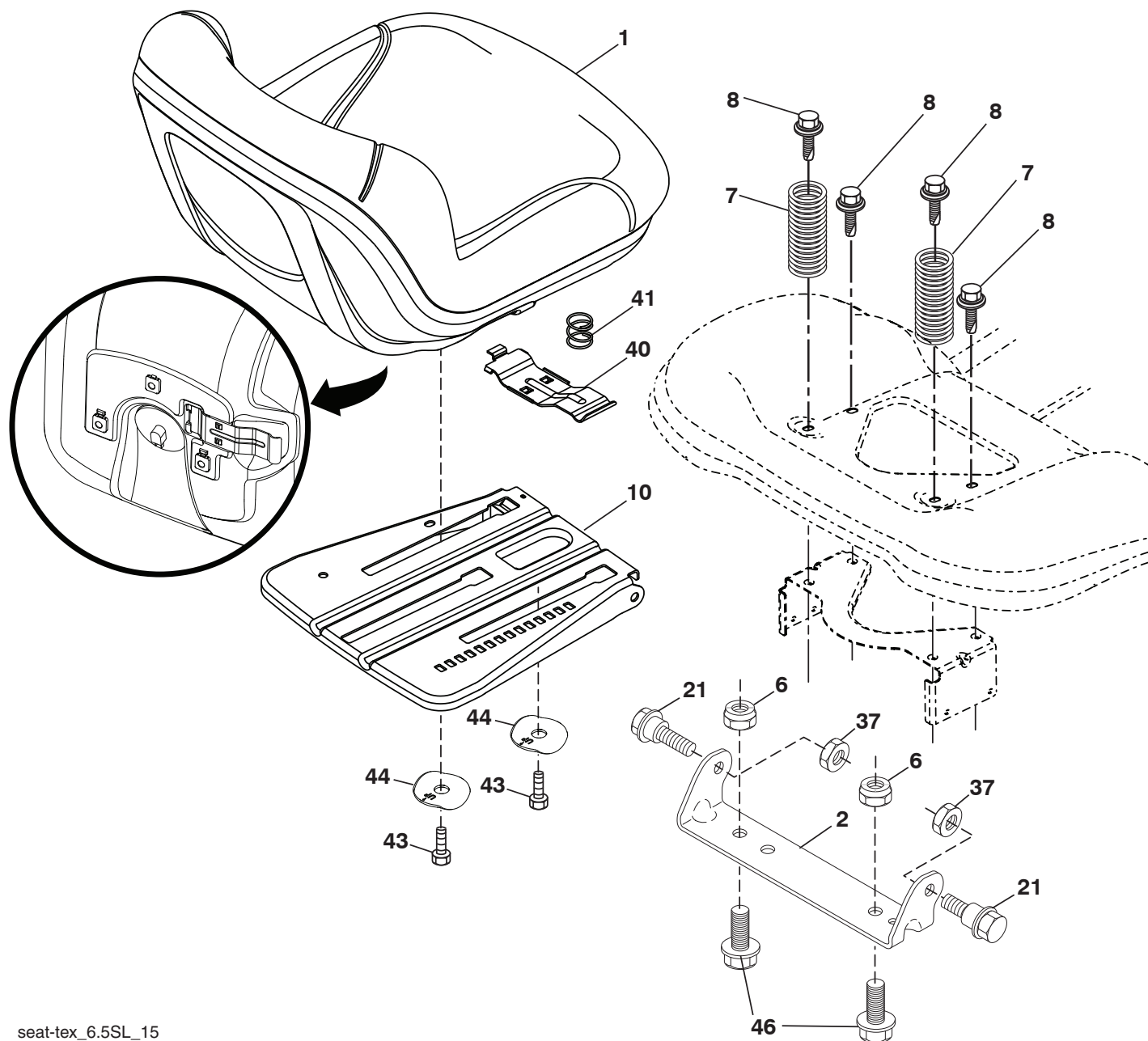
KEY NO.	PART NO.	DESCRIPTION
2	532 42 20-27	Shaft Asm., Lift
3	594 01 80-01	Lever, Lift, Handle
7	580 96 23-01	Grip, Lever
10	532 19 63-14	Spring Torsion
87	532 19 42-09	Pin Cotter 7/16 Bow Tie Lock
88	532 41-07-10	Spring Lift Assist
89	819 19 19-12	Washer Clear Zinc
90	532 19 42-08	Pin Cotter 5/16 Bow Tie Lock

KEY NO.	PART NO.	DESCRIPTION
91	589 46 48-03	Link, Assy. Lift, Rear
97	817 00 06-12	Screw 3/8-16 x .75 Smgml. Tap/R.Z
98	581 50 69-03	Link, Assy. Front, Mwr. Susp
116	594 97 65-01	Washer, Round 15/32 x 15/16 x .065

**NOTE:** All component dimensions given in U.S. inches.  
 1 inch = 25.4 mm



**TRACTOR - - MODEL NO. TS 138 (96041042100), PRODUCT NO. 960 41 04-21  
SEAT ASSEMBLY 42**



seat-tex\_6.5SL\_15

KEY NO.	PART NO.	DESCRIPTION
1	532 43 98-19	Seat
2	532 18 01-66	Bracket Pivot Fender
6	873 80 06-00	Nut, Lock w/Ins. 3/8-16 unc
7	589 48 35-01	Spring, Seat Cprsn.
8	532 17 18-77	Bolt 5/16-18 unc x 3/4 w/Sems.
10	596 65 74-02	Plate, Seat
21	587 90 78-01	Bolt, Shoulder 5/16-18 x 5/8
37	596 58 37-02	Nut, W/Nonmetal Ins. Blk. Zinc
40	532 19 76-61	Handle

KEY NO.	PART NO.	DESCRIPTION
41	532 19 82-00	Spring
43	874 76 06-12	Bolt 3/8-16 unc x 3/4
44	501 05 18-01	Washer Winged
46	588 09 04-01	Bolt 3/8-16 X 1, 1.25 OD

**NOTE:** All component dimensions given in U.S. inches.  
1 inch = 25.4 mm

