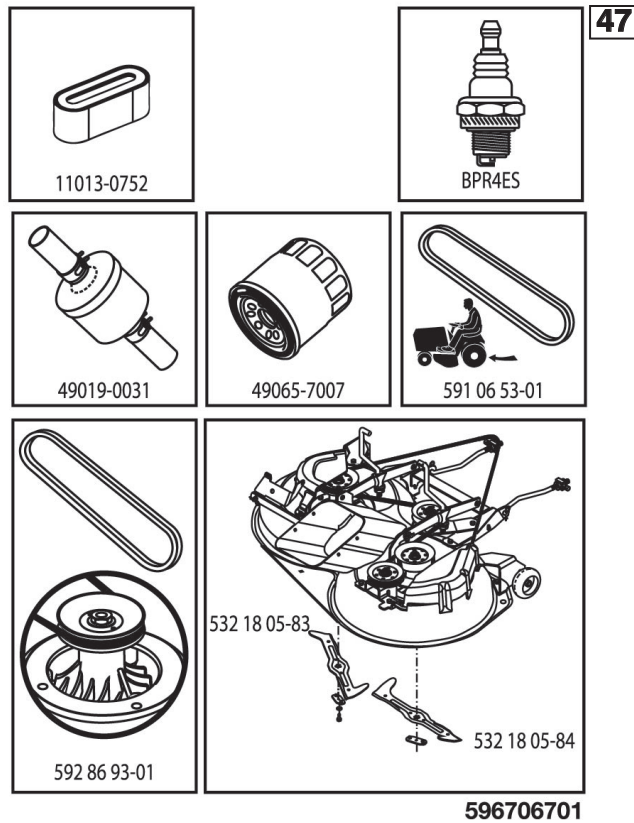


ILLUSTRATED PARTS LIST

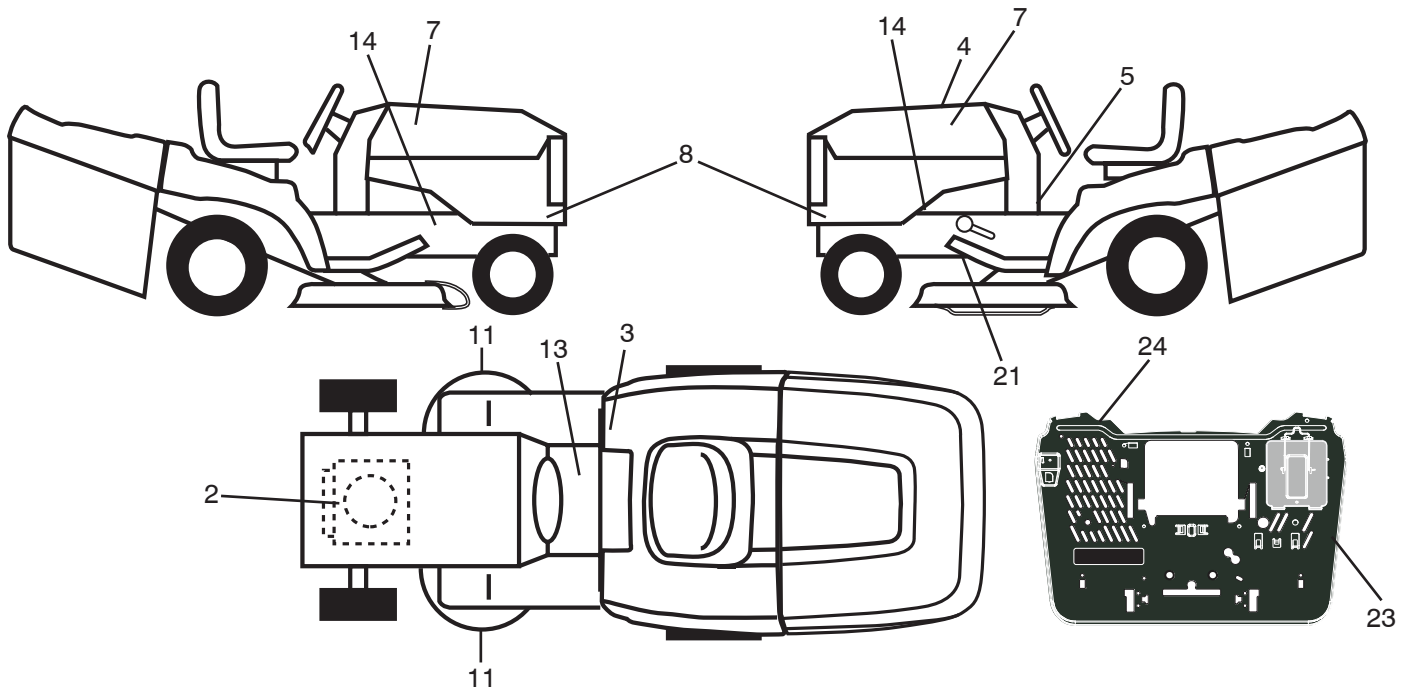
MFG. ID NO. 96051018600

CUSTOMER CATALOG NO. TC 342

PRODUCT NO. 960 51 01-86



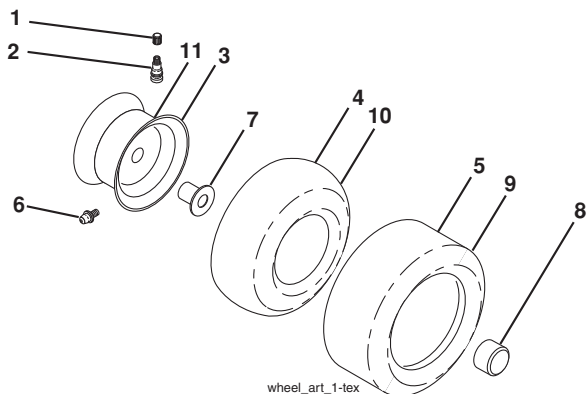
TRACTOR - MODEL NO. TC 342 (96051018600), PRODUCT NO. 960 51 01-86
DECALS 27



KEY NO.	PART NO.	DESCRIPTION
2	581 57 97-01	Decal, Engine
3	586 80 03-01	Decal, Fwd/Rev Pedal
4	596 70 67-01	Decal, Replacement
5	581 57 84-01	Decal, Lower Dash
7	581 62 73-01	Decal, Hood
8	587 55 34-01	Decal, Side Panel
11	581 57 91-01	Decal, Mower Cut Finger Symbol
13	586 04 73-02	Decal, Tractor Saddle

KEY NO.	PART NO.	DESCRIPTION
14	581 57 96-01	Decal, Chassis Hot Muffler
21	592 98 02-01	Decal, Belt Schematic
23	532 44 46-19	Decal, Bypass
24	532 44 54-93	Decal, Warning Combined
--	532 44 14-09	Pad Footrest LH
--	532 44 14-10	Pad Footrest RH
--	114 08 37-26	Manual Operator's (English)
--	114 12 31-79	Manual Operator's (Japanese)

WHEELS AND TIRES



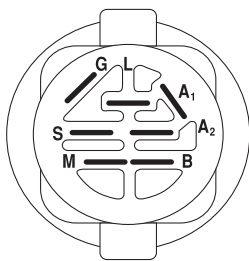
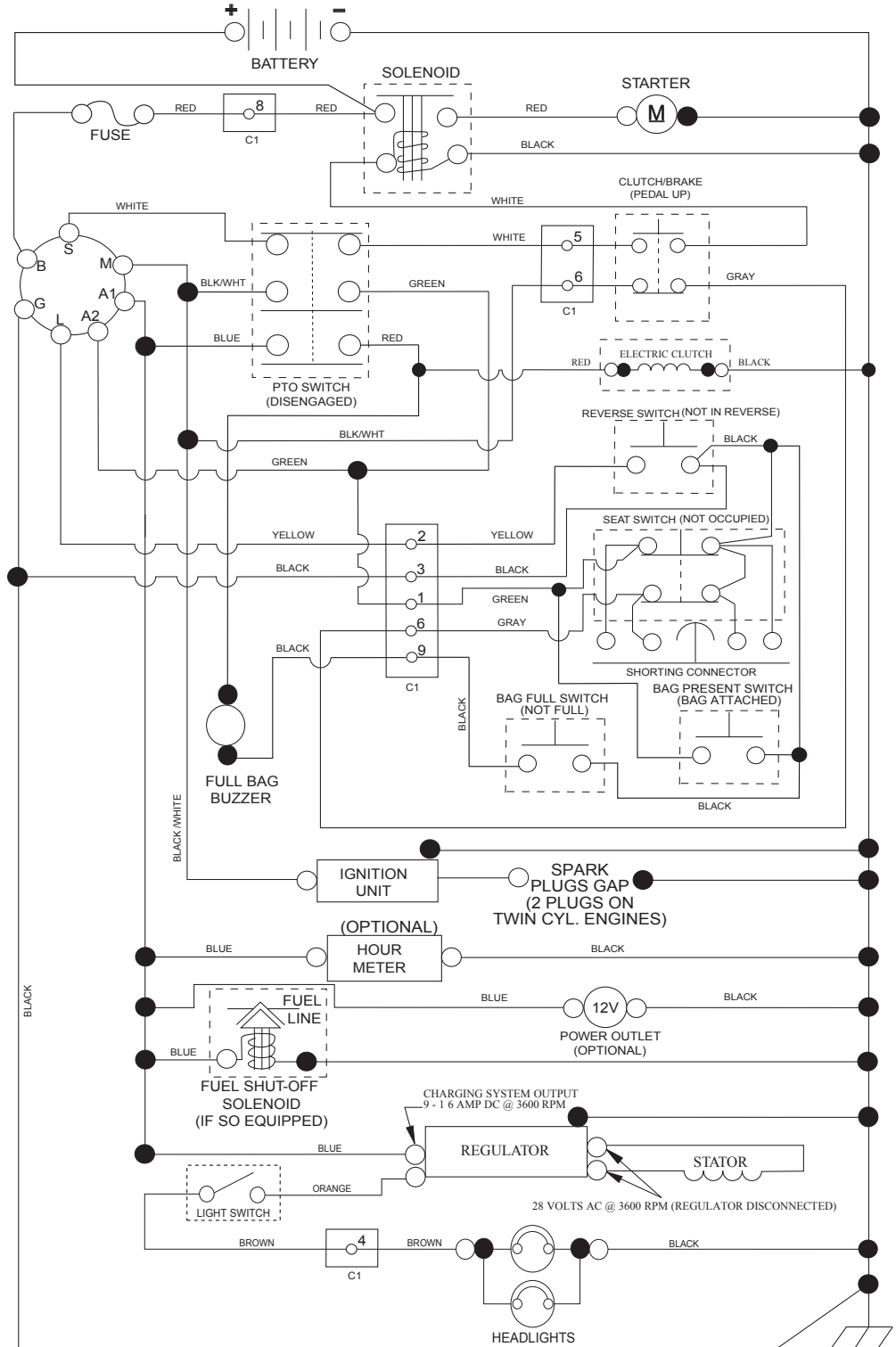
KEY NO.	PART NO.	DESCRIPTION
1	532 05 91-92	Cap Valve Tire
2	532 06 51-39	Stem Valve
3	532 13 83-36	Rim Front
4	532 05 99-04	Tube Front (Service Item Only)
5	532 17 04-55	Tire Front 15 x 6-6
6	532 00 02-78	Fitting Grease (Front Wheel Only)
7	532 00 90-40	Bearing Flange (Front Wheel Only)
8	532 17 50-39	Cap Axle Blk 1 50 x 1 00
9	588 69 19-01	Tire Rear 18 x 9.5-8
10	532 00 71-52	Tube Rear (Service Item Only)
11	532 13 83-37	Rim Asm 8" Rear
--	532 14 43-34	Sealant, Tire (10 oz. Tube)

NOTE: All component dimensions given in U.S. inches
 1 inch = 25.4 mm

TRACTOR - MODEL NO. TC 342 (96051018600), PRODUCT NO. 960 51 01-86

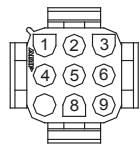
SCHEMATIC **38**

SCH19

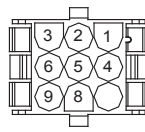


IGNITION SWITCH

POSITION	CIRCUIT	"MAKE"
OFF	M+G+A1	
RUN/OVERRIDE	B+A1	
RUN	B+A1	L+A2
START	B + S + A1	



CHASSIS HARNESS CONNECTOR (C1) (MATING SIDE)



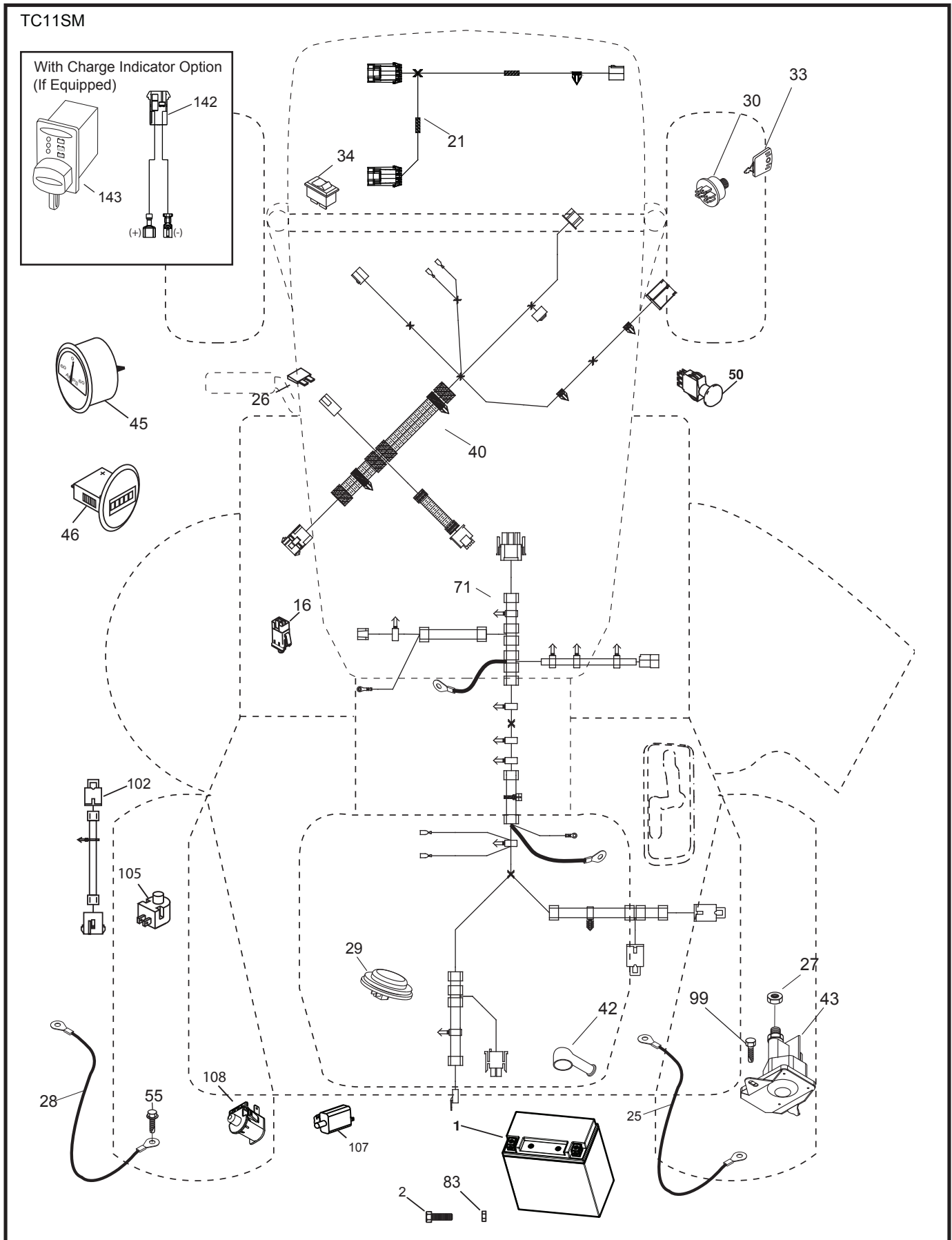
DASH HARNESS CONNECTOR (C1) (MATING SIDE)

WIRING INSULATED CLIPS
NOTE: IF WIRING INSULATED CLIPS WERE REMOVED FOR SERVICING OF UNIT, THEY SHOULD BE RE-INSTALLED TO PROPERLY SECURE YOUR WIRING.

●
NON-REMOVABLE CONNECTIONS

○
REMOVABLE CONNECTIONS

TRACTOR - MODEL NO. TC 342 (96051018600), PRODUCT NO. 960 51 01-86
ELECTRICAL 32

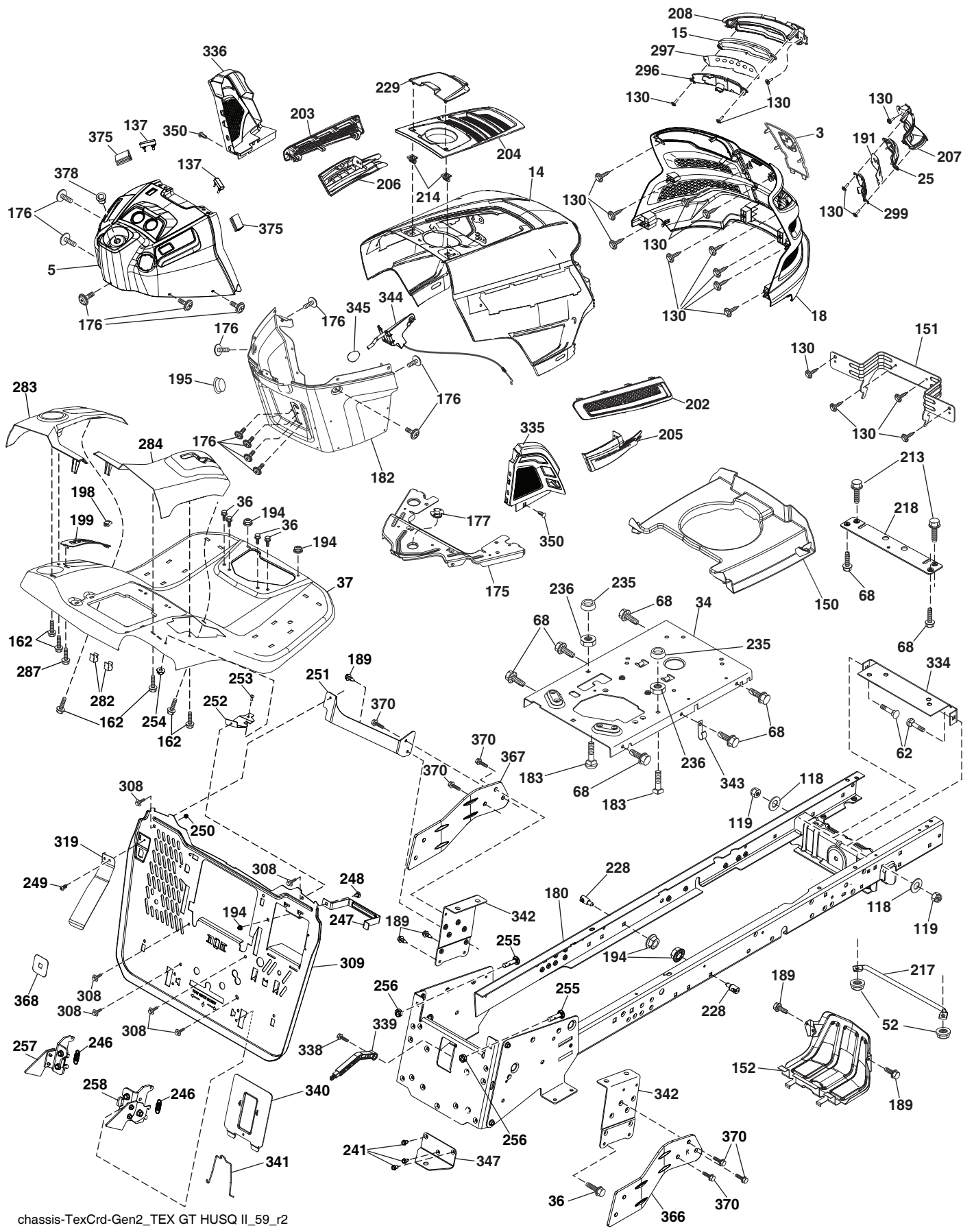


TRACTOR - MODEL NO. TC 342 (96051018600), PRODUCT NO. 960 51 01-86
ELECTRICAL 32

KEY NO.	PART NO.	DESCRIPTION
1	532 43 71-57	Battery
2	596 32 01-01	Bolt, Hex. M6 x 1 x 12.4 mm 8.8
16	532 17 61-38	Switch Interlock Push-In
21	585 43 64-01	Harness Light
25	589 32 37-01	Cable, Batt. 8 Ga. Red
26	532 17 51-58	Fuse
27	596 13 36-01	Locknut, Keps. 1/4-20
28	589 32 36-01	Cable, Batt. BLCK10 SLV
29	532 40 15-45	Switch, Seat
30	532 19 33-50	Switch, Ign
33	532 41 19-33	Key/Chain
34	532 11 07-12	Switch Light
40	587 30 48-01	Harness Ign. Dash
42	532 13 15-63	Cover Terminal Red
43	582 04 28-02	Solenoid, W/Brass, Plunger, ZN
45	587 55 39-06	Gauge, Ammeter, Prime, Round
46	587 55 40-06	Gauge, Hourmeter, Prime, Round
50	582 10 76-02	Switch, PTO. 8 Terminal, Std. RED
55	817 06 05-12	Screw Thdrol 5/16-18 x 3/4 TYTT
71	532 44 08-20	Harness Ignition Chassis
83	594 08 65-01	Nut, Square, M6 x 1
99	817 00 05-12	Screw 5/16-18 x 3/4
102	532 44 12-62	Harness Jumper
105	532 40 75-68	Switch Reverse
107	532 18 03-79	Switch Full Bagger
108	589 50 03-01	Switch Snapmount

NOTE: All component dimensions given in U.S. inches
 1 inch = 25.4 mm

TRACTOR - MODEL NO. TC 342 (96051018600), PRODUCT NO. 960 51 01-86
CHASSIS AND ENCLOSURES 39



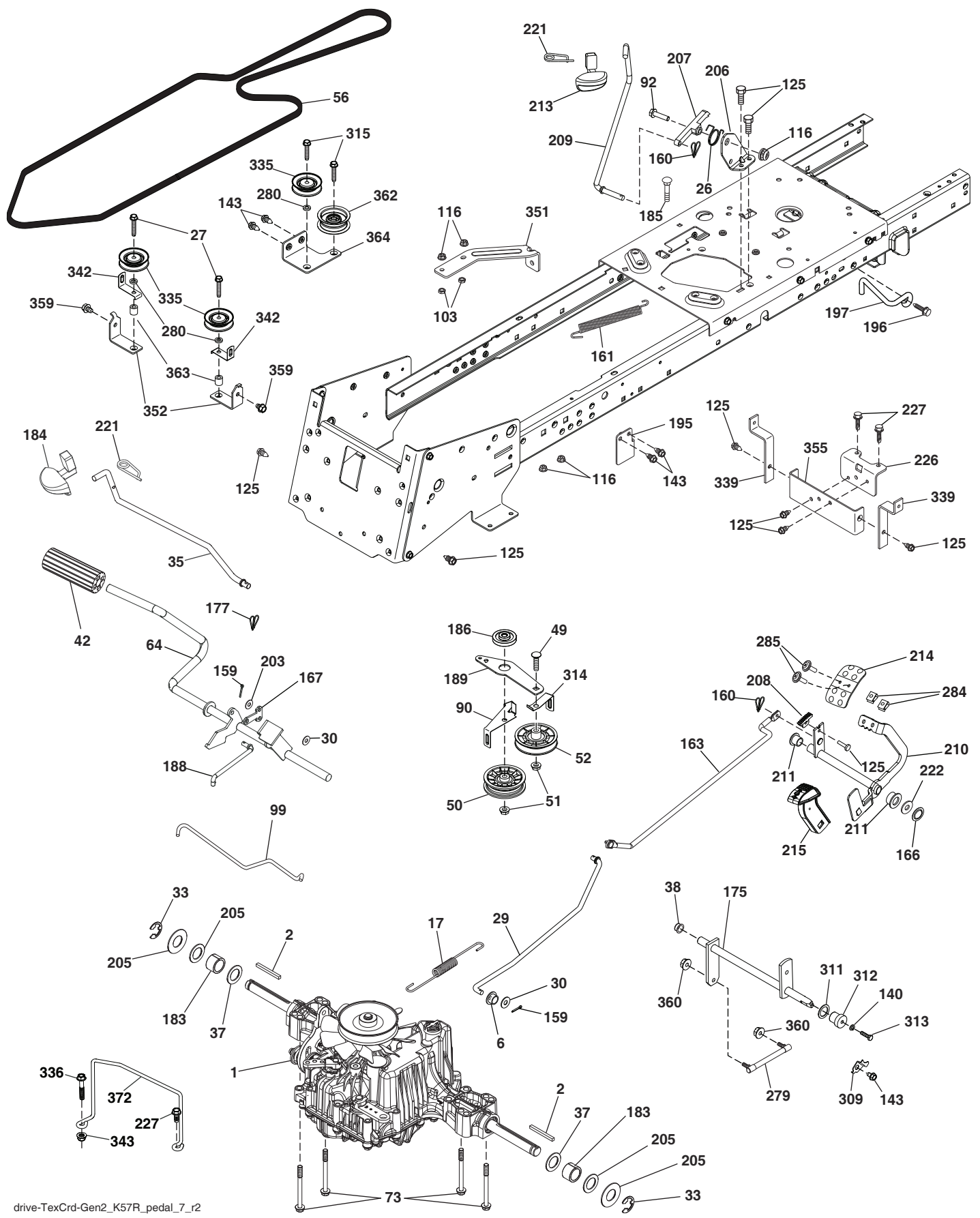
chassis-TeXCrd-Gen2_TEX GT HUSQ II_59_r2

TRACTOR - MODEL NO. TC 342 (96051018600), PRODUCT NO. 960 51 01-86
CHASSIS AND ENCLOSURES 39

KEY NO.	PART NO.	DESCRIPTION	KEY NO.	PART NO.	DESCRIPTION
3	532 44 44-81	Applique	247	582 55 26-02	Strap Battery TCRD Gen 2.5 x .431
5	590 74 88-17	Dash	248	872 11 05-04	Bolt Carr 5/16-unc x1/2
14	532 44 11-77	Hood	249	586 93 60-01	Screw Button 10-24 x 1/2 Ptchd
15	585 42 03-01	Lens LH	250	596 04 08-01	Lock, Nut, Washer #10-24 In. Gr. 2
18	587 52 34-01	Grille	251	589 31 89-04	Backplate Support Bracket
25	585 42 02-01	Lens RH	252	581 99 22-04	Backplate Support Bracket
34	593 94 44-02	Plate, Engine, Weldedchas. 127"	253	596 23 84-01	Bolt, Carr. 1/4-20 x 3/4 Gr. 5 Clrzn
36	817 06 05-12	Screw 5/16-18 x 3/4	254	873 90 04-00	Nut Hex Flange 1/4-20 unc
37	532 44 14-19	Fender	255	589 39 22-03	Bolt, Crssdrl. 3/8-16 x 1-3/4 Gr. 2
52	596 04 05-01	Nutlock, Hex. Prvl. 5/16-18	256	596 21 90-01	Nut, Hex. Jam, Nut, Top 3/8 x 9/16
62	596 72 82-01	Bolt, Carr. 3/8-16 x 1" Gr. 5	257	589 74 66-02	Bagger Latch Assembly LH
68	596 03 07-01	Screw, Hexagon, 5/16-18 x 1/2	258	589 74 67-02	Bagger Latch Assembly RH
118	596 56 53-01	Washer 3/8 x 0.08 In. St. Clr. Zinc	282	532 41 41-10	Clip Retainer
119	596 32 26-01	Nut. Crownlock 3/8-16 unc.	283	532 44 72-12	Console Deck Lift LH
130	596 32 17-01	Screw, #10 x 0.750 BOS Thread	284	532 44 72-20	Console Shft RH
137	532 40 75-90	Bumper Dash	287	817 60 04-06	Screw 1/4-20 x 3/8
150	532 43 97-74	Air Duct	296	585 42 05-01	LED Light LH
151	532 43 66-70	Bracket Pivot	297	586 18 29-01	Insert Reflective LH
152	532 43 98-70	Shield Browning	299	585 42 04-01	LED Light RH
162	596 13 41-01	Screw, Hex. Tap. 1/4-15 x 1/2	308	532 17 18-77	Bolt 5/16-18 unc x 3/4
175	590 60 77-02	Crossmember	309	582 55 25-02	Backplate
176	532 40 07-76	Screw 10-24 x 5/8	319	581 31 39-07	Lever Bag
177	532 19 52-28	Bushing Steering	334	532 44 25-37	Bracket Engine
180	593 89 88-01	Chassis	335	532 44 82-04	Cover RH Lower Close Out
182	532 43 89-67	Dash Lower	336	532 44 53-09	Cover LH Lower Close Out
183	595 30 57-01	Screw, Hexagon, 5/16-18 x 1-1/4	338	594 09 39-01	Bolt, Shoulder 5/16-18 x .88
189	817 00 05-12	Screw 5/16-18 x 3/4	339	532 43 66-41	Lever Bagger Full
191	586 18 28-01	Insert Reflective RH	340	582 55 27-02	Door Battery
194	596 13 57-01	Nutlock, Prvl, Torq. 5/16-18 x .68	341	582 06 08-01	Latch Battery Door Tex CRD
195	532 40 41-37	Plug Hole Dash Lower	342	582 82 68-02	Supprt Fender
198	532 44 15-52	Indicator Deck Lift	343	532 44 07-49	Clip
199	532 41 87-39	Plate Deck Lift	344	532 43 89-70	Control EZ Mulch
202	532 43 97-28	Vent Side Hood RH	345	532 44 06-39	Knob
203	532 43 97-27	Vent Side Hood LH	347	532 44 28-87	Hitch Tow
204	532 44 06-65	Vent Top Hood	350	532 44 51-43	Clip X-Mas Tree
205	532 43 97-30	Trim Hood Side RH	366	599 36 16-02	Bracket, RH. Front, Support, Baggr
206	532 43 97-29	Trim Hood Side LH	367	599 36 19-02	Bracket, LH. Front, Support, Baggr
207	585 42 00-02	Bezel RH	368	581 42 48-01	Shourd Bag Full Lever
208	585 42 01-02	Bezel LH	370	817 12 06-16	Screw, 3/8-16 x 1, Smgml, T
213	596 03 05-01	Bolt, Hex. Hd. 5/16-18 unc x 3/4	375	586 90 82-01	Bumper Dash
214	532 19 91-45	Clip Retainer Tinner	378	590 84 98-01	Bushing Flange
217	532 40 91-67	Rod Pivot	--	532 43 18-82	Kit Brush Guard
218	532 19 63-95	X-Piece Hood Stop			
228	532 19 51-61	Stud Fastner			
229	532 44 14-63	Lid Ext			
235	532 40 61-29	Spacer Fender			
236	873 93 05-00	Nut Lock 5/16-18 unc			
241	593 33 76-01	Screw 5/16-18 x 1.00 Hwh. Trs			
246	591 44 90-01	Spring TCRD Gen 2.5 Bagger Ext.			

NOTE: All component dimensions given in U.S. inches
1 inch = 25.4 mm

TRACTOR - MODEL NO. TC 342 (96051018600), PRODUCT NO. 960 51 01-86
DRIVE **40**



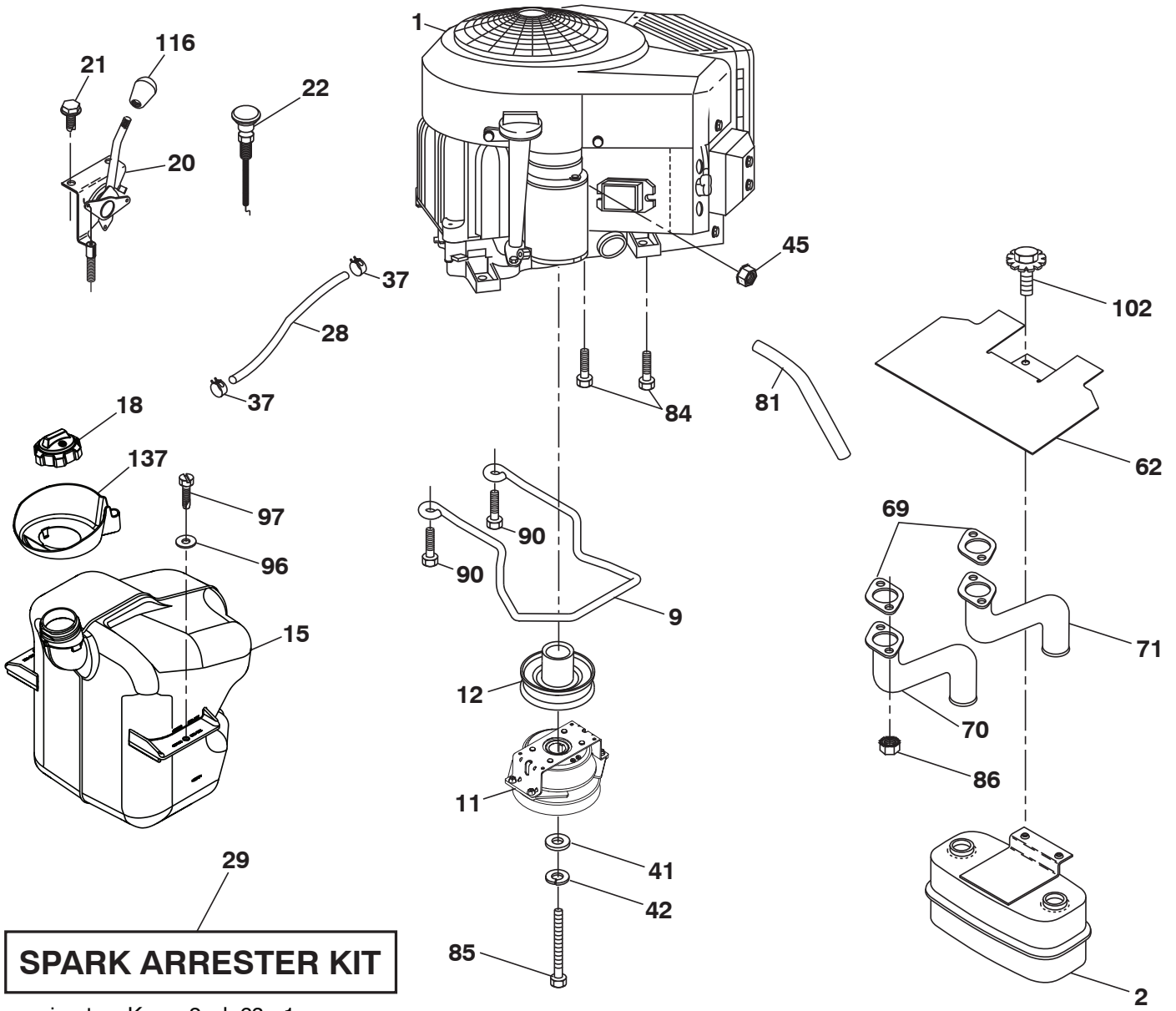
drive-TexCrd-Gen2_K57R_pedal_7_r2

**TRACTOR - MODEL NO. TC 342 (96051018600), PRODUCT NO. 960 51 01-86
DRIVE **40****

KEY NO.	PART NO.	DESCRIPTION	KEY NO.	PART NO.	DESCRIPTION
1	---	Transaxle, Tufftorq K57AH (585743601) (Order parts from transaxle manufacturer.)	196	817 00 06-16	Screw 3/8-16 x 1 SMGML Tap/R Blk
2	532 12 35-83	Key Square	203	596 20 41-01	Washer, 11/32 x 11/16 x 14
6	532 12 40-28	Bushing Snap	205	532 12 17-48	Washer 25/32 x 1-5/8 x 16 Ga.
17	532 43 62-27	Spring Brake K46	206	532 44 85-96	Bracket Mount Latch Cruise
26	532 19 96-79	Spring Return Cruise	207	587 03 14-02	Latch, Cruisecontrol, Tex. Clr.
27	596 24 10-01	Screw, Hex. Threadroll 5-16 x 18	208	596 56 41-01	Gear
29	532 44 27-95	Rod, Brake	209	590 52 78-02	Rod, Cruisecontrol, Tex. Clr
30	596 14 02-01	Washer, .406 ID X OD x OD x .065	210	532 40 09-80	Rocker Asm. Pedal Control
33	812 00 00-01	Ring E	211	532 12 01-83	Bearing Nylon
35	583 86 45-02	Rod, Brake, Park	213	532 40 31-19	Knob Control Cruise
37	532 18 89-67	Washer Harden .793 x 1.063 x .060	214	532 41 68-63	Pedal Forward
38	532 16 96-13	Nyliner Bushing	215	586 60 65-02	Pedal Reverse
42	532 00 88-83	Cover, Foot Pedal	221	532 40 31-87	Retainer Spring Clip Handle
49	596 13 62-01	Bolt, Cup Head, 3/8-16 x 3/4	222	879 21 20-10	Washer 21/32 x 1-1/4 10 Ga.
50	532 19 43-27	Idler Flat	226	532 40 15-64	Bracket Strap Torque
51	873 90 06-00	Lock Nut 3/8-16	227	596 13 59-01	Bolt, Hex. 5/16-18 x 3/4 Clr. Znc.
52	532 19 43-26	Idler V-Groove	279	532 44 42-83	Link Shift
56	591 06 53-01	V-Belt, Drive	280	596 03 99-01	Washer, Plain, 11/32 x 5/8 Clr.
64	532 19 78-65	Shaft Asm. Pedal Brake Control	284	532 41 76-93	Nut U-CHNL 1/4-20.550 DP 350 PNL
73	595 31 66-01	Bolt, Hhd. W/Flanger 5/16-18 Gr. 5	285	874 18 04-12	Screw
90	532 44 36-05	Keeper Belt Clutching	309	532 16 55-81	Plate Fstnr Cross Shf
92	595 30 57-01	Screw, Hexagon, 5/16-18 x 1-1/4	311	532 16 98-45	Washer Nylon
99	532 44 39-47	Rod Spring Bypass	312	532 16 56-14	Hub Tapered
103	596 43 63-01	Nut, Hex. 5/16-18 x 0.577" Gr. 5 Zn.	313	596 04 07-01	Bolt, Hex. 1/4-20 x 1
116	596 13 57-01	Nutlock, Prvl. Torq. 5/16-18 x .68	314	532 44 47-13	Keeper Belt
125	817 00 05-12	Screw 5/16-18 x 3/4	315	817 58 05-20	Screw Thdrol 5/16-18 x 4.25
140	596 02 98-01	Spring, Lock, Washer, Square, Ends	335	532 19 95-34	Pulley V-Idler
143	596 03 07-01	Screw, Hexagon, 5/16-18 x 1/2	336	587 25 96-02	Bolt 5/16-18 x 1-3/4 Flanged
159	596 02 95-01	Pin, Cotter, 1/8 Dia. x 3/4	339	532 43 68-67	Strap Torque K46 CRD TEX
160	596 02 94-01	Clip, Retainer, "M-Shape"	342	532 18 26-82	Keeper Belt 2.5" STL V-Idlr CRD
161	532 10 57-09	Spring, Return, Clutch	343	539 11 28-99	Nut 5/16-18 Hex Flanged Nyloc
163	594 08 41-02	Rod, Cntrol. Pedalshift, CRD2. Raw	351	532 43 69-98	Bracket 97 CRD Deck Sway
166	532 42 91-64	Nut Push	352	532 43 56-45	Bracket Idler CRD Tex
167	532 40 52-57	Latch Brake Parking	355	532 43 56-69	Bracket
175	532 42 93-59	Shaft Asm Crossshift Rear CRD	359	596 56 40-02	Bolt, HHD. 3/8-16 x 0.655 Clr. Zn
177	587 22 53-01	Pin, Cotter, Locking, Bowtie, 1 In.	360	532 44 47-14	Nut 5/16-24 unf
183	532 13 70-57	Spacer Axle	362	532 43 68-12	Idler Flat
184	587 65 37-01	Handle Parking Brake	363	532 44 27-80	Spacer 343 x 63 x .62
185	872 11 06-22	Bolt 3/8-16 unc x 2-3/4 Gr. 5	364	532 44 30-32	Bracket Idler CRD Tex
186	532 19 43-21	Spacer Retainer	372	582 65 49-01	Keeper Belt Transaxle
188	582 21 70-01	Link Clutch			
189	532 43 36-11	Bellcrank Ground Drive			
195	580 45 69-01	Bracket Rod Brake CRD Tex			
197	585 65 86-02	Wireform, Clutch, AntiRotation			

NOTE: All component dimensions given in U.S. inches
1 inch = 25.4 mm

TRACTOR - MODEL NO. TC 342 (96051018600), PRODUCT NO. 960 51 01-86
ENGINE **24**



**TRACTOR - MODEL NO. TC 342 (96051018600), PRODUCT NO. 960 51 01-86
ENGINE 24**

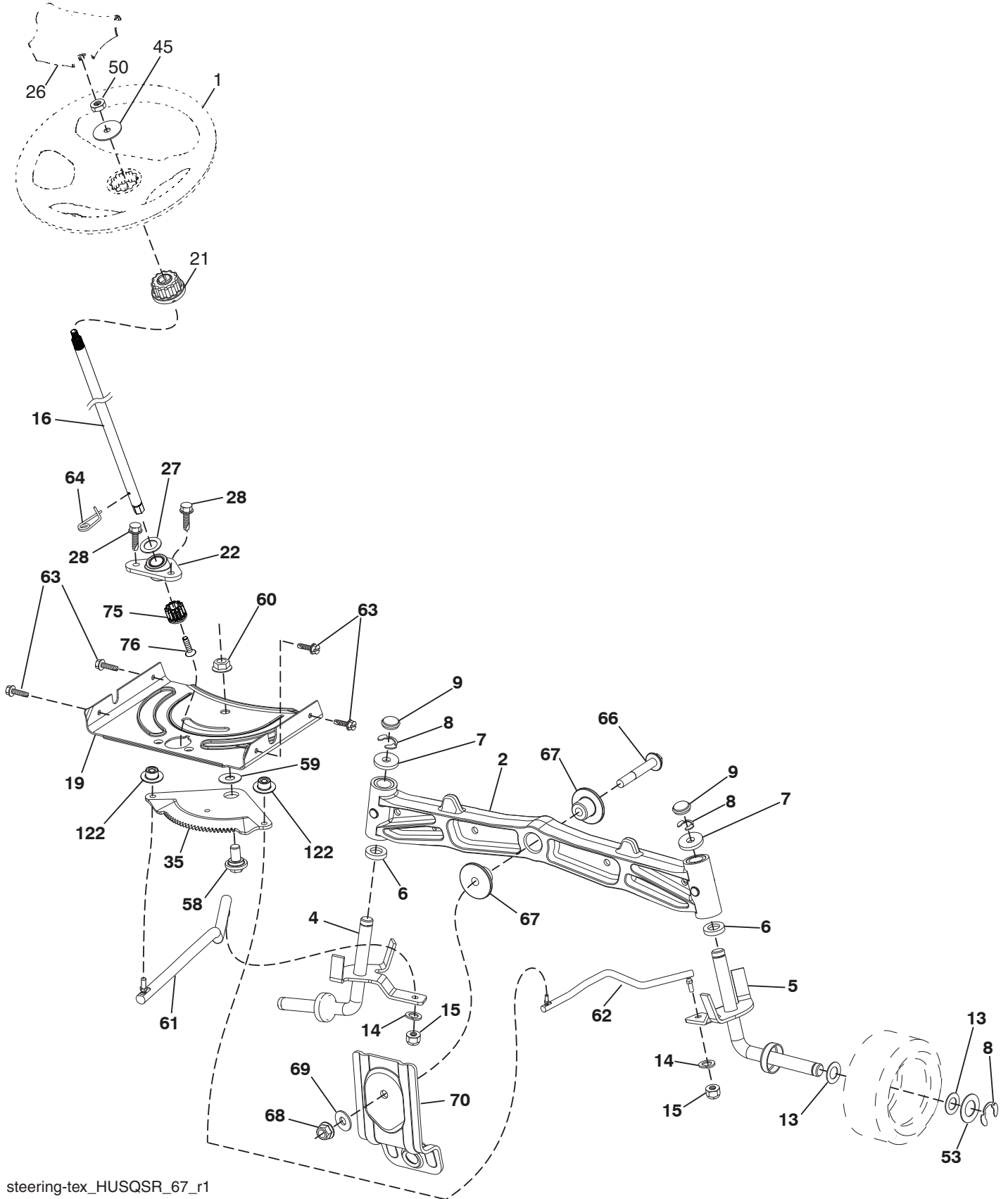
KEY NO.	PART NO.	DESCRIPTION
1	— — — — —	Engine Kawa FR651V (593006001) (Order parts from engine manufacturer.)
2	589 81 87-01	Muffler
9	501 83 26-02	Keeper Belt Engine
11	592 82 17-01	Clutch Electric
12	532 40 50-97	Pulley Engine
15	532 43 58-16	Tank Fuel
18	532 44 14-62	Fuel Cap
20	532 42 43-41	Control Throttle
21	596 32 17-01	Screw, #10 x 0.750 BOS Thread
22	532 19 15-96	Control Choke
28	532 13 70-40	Fuel Line
29	532 13 71-80	Spark Arrester Kit
37	532 12 34-87	Clamp Hose
41	532 12 61-97	Washer 1-1/2 OD x 15/32 ID x .250
42	596 23 89-01	Washer, 7/16 in. Clr. Zn
45	596 13 36-01	Locknut, Keps. 1/4-20
62	532 43 40-17	Shield Heat Muffler
69	532 17 81-51	Gasket
70	583 95 56-01	Tube Exhaust LH
71	583 95 57-01	Tube Exhaust RH
81	532 14 84-56	Tube Drain Oil Easy
84	817 12 06-16	Screw 3/8-16 x 1 Smgml Tap
85	501 60 66-01	Bolt Hex 7/16-20 x 3.75 Gr. 5
86	532 18 43-62	Nut Flange
90	817 00 06-16	Screw 3/8-16 x 1
96	596 13 53-01	Washer, Plain, 9/32 x 7/8 Clr. Zn
97	817 67 04-12	Screw 1/4-20 x 3/4
102	817 00 05-12	Screw 5/16-18 x 3/4
116	539 13 26-24	Knob Shift
137	532 44 14-61	Spill Cup

NOTE: All component dimensions given in U.S. inches
1 inch = 25.4 mm

For engine service and replacement parts, call the toll free number for your engine manufacturer listed below:

Kawasaki 1-949-460-5688

TRACTOR - MODEL NO. TC 342 (96051018600), PRODUCT NO. 960 51 01-86
STEERING ASSEMBLY 41



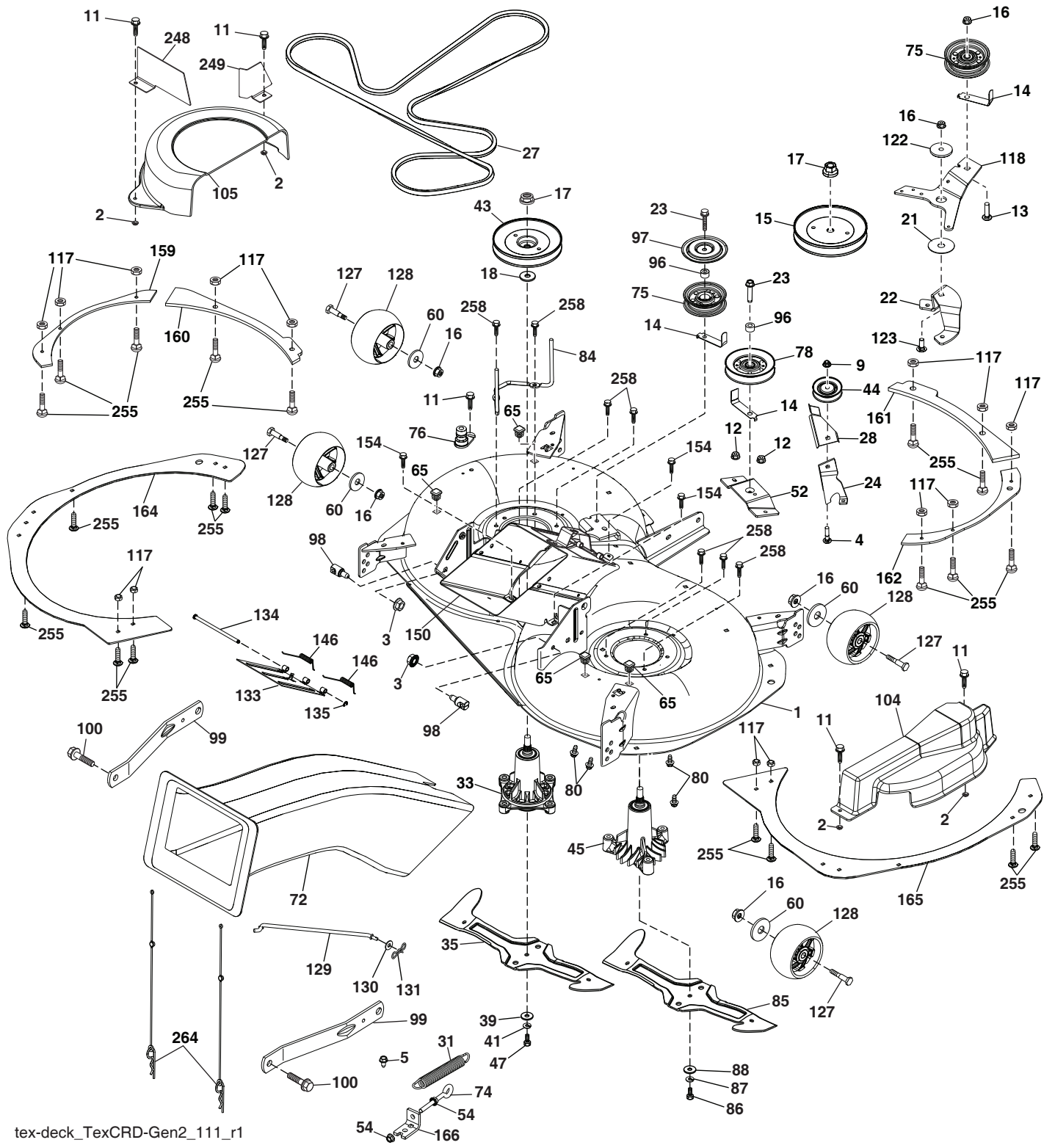
steering-tex_HUSQSR_67_r1

**TRACTOR - MODEL NO. TC 342 (96051018600), PRODUCT NO. 960 51 01-86
STEERING ASSEMBLY 41**

KEY NO.	PART NO.	DESCRIPTION
1	532 43 97-40	Wheel, Steering
2	532 19 59-68	Axle Asm., Front
4	532 40 30-87	Spindle Asm., LH
5	532 40 30-88	Spindle Asm., RH
6	532 00 62-66	Washer Thrust .75 x 1.230
7	532 12 17-48	Washer 25/32 x 1-5/8 x 16 Ga.
8	812 00 00-29	Ring, Clip #T5304-75
9	532 12 12-32	Cap, Spindle
13	532 12 17-49	Washer 25/32 x 1-1/4 x 16 Ga.
14	596 23 87-01	Washer, Spring, Lock, .381 ID x .680
15	873 54 06-00	Nut, Crown Lock 3/8-24 unf
16	587 01 60-02	Steering Shaft
19	532 19 47-29	Plate Steering
21	586 84 02-01	Adapter Wheel Steering
22	585 02 98-02	Bearing Shaft
26	532 43 97-43	Insert, Wheel Steering
27	596 93 34-01	Washer, Plain
28	817 00 06-12	Screw 3/8-16 x 3/4
35	532 19 47-32	Gear, Sector Plate
45	587 01 64-01	Washer 3/8 ID 2-3/8 OD 12 Ga.
50	873 90 06-00	Nut Lock Flg 3/8-16 unc
53	532 18 89-67	Washer Hardened .793 x 1.637 x .060
58	532 19 47-47	Bolt Shoulder Sector Pivot CFM
59	532 19 47-48	Washer Thrust Sector Steering
60	873 97 10-00	Nut Flange Lock 5/8-11
61	597 07 02-02	Draglink, LH. Adj. Std. Clrzn
62	597 07 03-02	Draglink, RH. Adj. Std. Clrzn
63	817 00 05-12	Screw 5/16-18 x 3/4
64	532 19 98-49	Retainer Clip Spring Steering
66	871 02 07-48	Bolt Hex Fghd 7/16-14 x 3 Serr
67	532 19 47-37	Bushing PM Front Axle
68	873 90 07-00	Nut Lock Flange 7/16-14 Gr. 5
69	532 19 91-62	Washer 1.5 x .505 x .118
70	585 33 88-01	Bracket Deck Susp. Front
75	580 68 37-01	Pinion
76	580 68 36-01	Screw Head Sock
122	532 44 49-62	Cap Gear

NOTE: All component dimensions given in U.S. inches
1 inch = 25.4 mm

TRACTOR - MODEL NO. TC 342 (96051018600), PRODUCT NO. 960 51 01-86
MOWER DECK 44



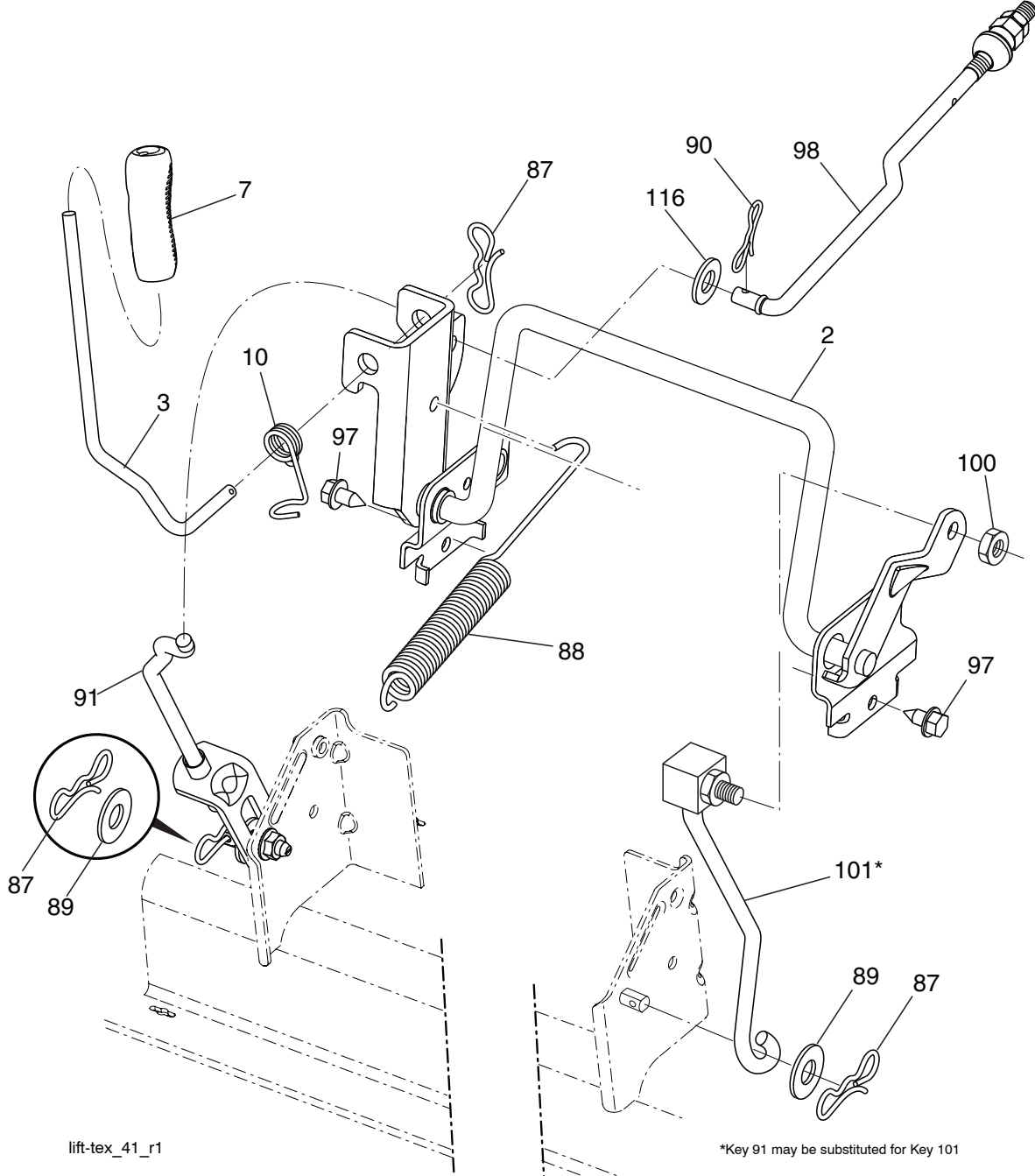
tex-deck_TexCRD-Gen2_111_r1

TRACTOR - MODEL NO. TC 342 (96051018600), PRODUCT NO. 960 51 01-86
MOWER DECK 44

KEY NO.	PART NO.	DESCRIPTION	KEY NO.	PART NO.	DESCRIPTION
1	596 76 28-01	Kit SVC Deck Weldment	87	596 23 87-01	Washer, Spring, Lock, .381 ID x .680
2	532 42 30-62	Palnut 1/4	88	532 14 02-96	Washer, Hard, Blade, Mover
3	596 13 57-01	Nutlock, Prvl, Torq. 5/16-18 x .68	96	532 40 02-71	Spacer
4	872 11 05-10	Bolt Carr. 5/16-18 x 1-1/4 Gr. 5	97	532 18 20-61	Shield Idler Mower
5	817 00 05-10	Bolt 5/16-18 Hex Whs Hd Lckserr	98	532 19 51-61	Stud Fastener
9	585 69 13-01	Nut Hex Flg 5/16-18	99	532 19 51-86	Arm Suspension Mower Rear
11	532 13 77-29	Screw Thd Roll 1/4-20 x 5/8	100	532 19 65-39	Bolt Shoulder
12	539 11 28-99	Nut Hex Flg 5/16-18	104	592 86 57-01	Mandrel Cover RH
13	596 13 61-01	Bolt, Cup Head, 3/8-16 x 1-1/2	105	532 44 47-55	Mandrel Cover LH
14	532 15 60-85	Keeper Belt Idler	117	873 90 04-00	Nut Hex Flange 1/4-20 unc
15	532 19 59-45	Pulley Mandrel	118	592 86 58-02	Arm Clutching
16	873 90 06-00	Nut Lock FIG 3/8-16 unc	122	532 16 57-23	Spacer Retainer
17	532 40 02-34	Nut Flange Lock Top	123	596 98 75-01	Bolt, 3/8 x 1-1/4" Gr. 5 Clr. Zn.
18	532 18 76-90	Washer, Spacer, Mandrel	127	596-43-44-04	Bolt, Shoulder 3/8-16 x 3-5/8"
21	532 17 85-15	Washer Flat Hardened	128	589 52 73-01	Wheel Gauge
22	592 85 47-02	Bracket Clutching Arm	129	532 44 32-37	Rod Anti-Sway
23	596 56 40-03	Bolt, Hex 3/8-16 x 1.78 Clrzinc.	130	596 13 32-01	Washer 13/32 x 13/16 x 12 Ga.
24	594 97 29-03	Bracket Angles V-Idler	131	532 19 42-08	Pin Cotter 5/16 Bow Tie Lock
27	592 86 93-01	V-Belt Drive	133	532 43 81-97	EZ Mulch Door
28	592 86 59-02	Idler Keeper	134	593 88 95-01	Pin Hinge
31	587 35 84-01	Spring Ext.	135	532 43 79-88	E-Ring 5/16
33	587 81 97-01	Kit, Mandrel, Nongrease, Tall	146	532 44 58-96	Spring Tex CRD EZ Mulch
35	532 18 05-83	Blade Mower LH	150	596 01 30-02	Weldment Chute Lower 107 CRD
39	581 52 65-01	Washer 7/16 Flat	154	532 19 98-55	Screw 1/4-20 Panhead
41	596 23 89-01	Washer, 7/16 in. Clr. Zn	159	585 30 94-05	Plate LH Side
43	532 44 32-39	Pulley Mandrel	160	585 30 95-05	Plate LH Front
45	532 16 55-79	Mandrel Asm.CRD.LH (includes bearing, housing, shaft, felt washer, nut, bolt, and washer)	161	585 31 60-05	Plate RH Front
44	532 19 95-34	Pulley V-Idler Ground	162	585 31 61-05	Plate RH Side
47	584 30 93-01	Screw 7/16-20 x 1	164	589 35 85-02	Baffle Plate LH
52	594 97 26-03	Bracket Center V-Idler	165	587 42 61-02	Baffle Plate RH
54	596 03 92-01	Nut, Lock, Hex. 5/16-18 Clear, Zin.	166	592 85 60-01	Bracket Tension Adjustment
60	596 13 49-01	Washer, Plain 3/8 x 5/8"	248	589 00 98-02	LH Rear Steel Guard
65	596 95 22-01	Plulg, Hole, Square	249	589 00 97-02	LH Front Steel Guard
72	581 45 41-03	Chute Upper	255	592 80 78-01	Bolt 1/4-20 x 3/4 Short Neck
74	596 24 08-01	Bolt .Eyelet 5/16-18 x 3-1/2	258	584 95 39-01	Bolt Hex Wsh Hd .316-18 x 1.19
75	532 17 34-38	Pulley Idler Flat	264	589 39 29-02	Retainer, Asm. Chute, CRD2. 5. Tex
76	532 41 55-98	Washout Port	--	596 76 29-01	Replacement Mower Complete
78	532 17 39-02	Pulley Idler			
80	595 90 16-01	Bolt, Cup, 5/16-18 x 3/4 Clear, Zin			
84	532 44 32-35	Keeper Belt Mandrel			
85	532 18 05-84	Blade Mower RH			
86	532 18 17-13	Bolt 3/8-24 x 1.50 Gr.8			

NOTE: All component dimensions given in U.S. inches
1 inch = 25.4 mm

TRACTOR - MODEL NO. TC 342 (96051018600), PRODUCT NO. 960 51 01-86
MOWER LIFT 45

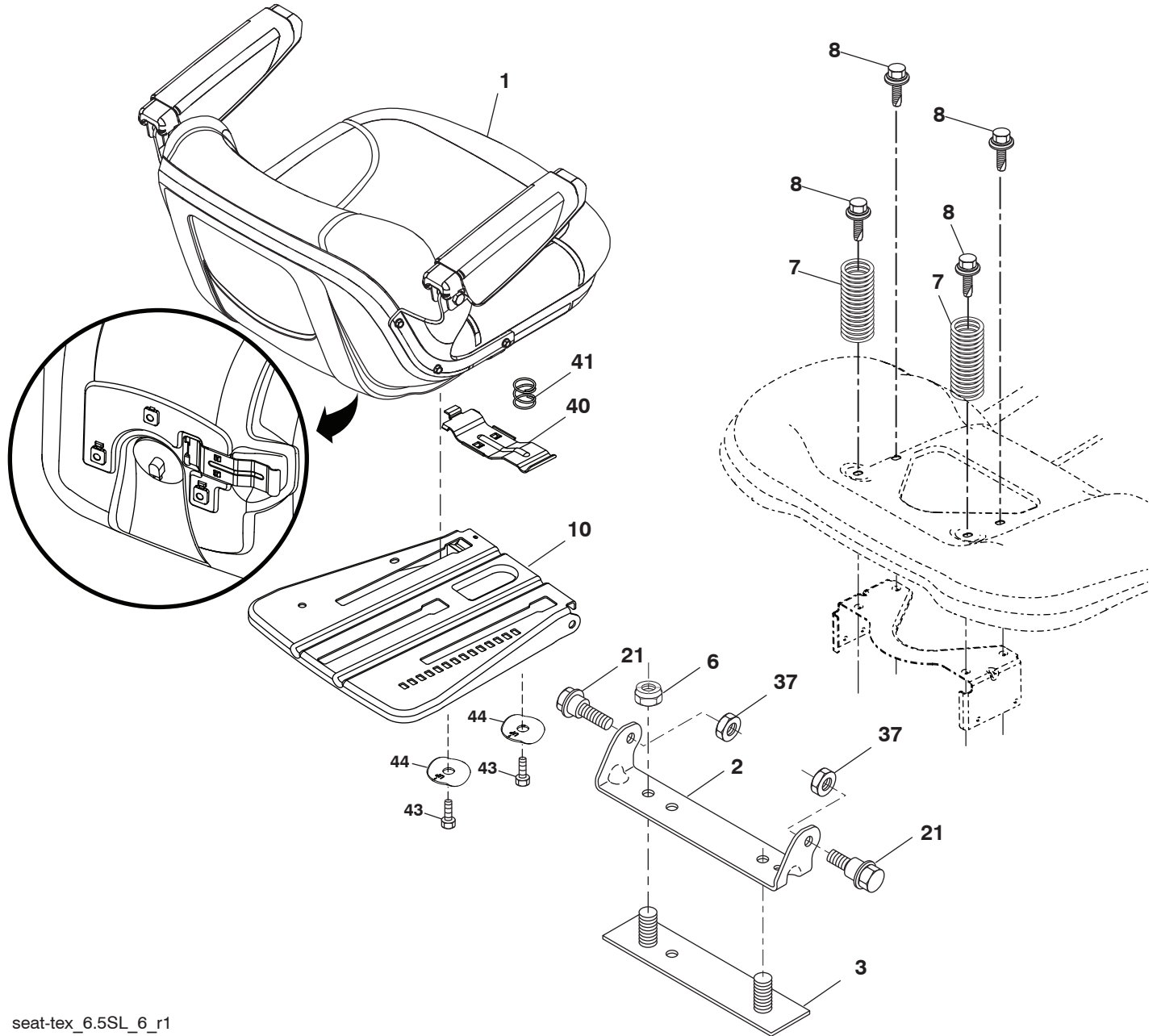


KEY NO.	PART NO.	DESCRIPTION
2	532 43 69-96	Deck Lift Weldment
3	594 01 80-01	Handle, Liftlever, Lt, Std, Wide
7	580 96 23-01	Grip, Lever
10	532 19 63-14	Spring Torsion
87	532 19 42-09	Pin Cotter 7/16 Bow Tie Lock
88	532 44 54-96	Spring Lift Assist
89	819 19 19-12	Washer Clear Zinc
90	532 19 42-08	Pin Cotter 5/16 Bow Tie Lock
91	589 46 48-03	Link, Assy. Lift, Rear

KEY NO.	PART NO.	DESCRIPTION
97	596 56 40-01	Hex. Bolt W/Collar. 3/8-16 x 0.53
98	581 50 69-03	Link, Assy. Front, Mwr. Susp.
100	595 30 59-01	Nut, Hex. Locknut, 3/8-16
101	532 40 70-03	Link Asm. Lift
116	819 15 15-16	Washer 15/32 x 15/16 x 16 Ga.

NOTE: All component dimensions given in U.S. inches
 1 inch = 25.4 mm

TRACTOR - MODEL NO. TC 342 (96051018600), PRODUCT NO. 960 51 01-86
SEAT ASSEMBLY 42



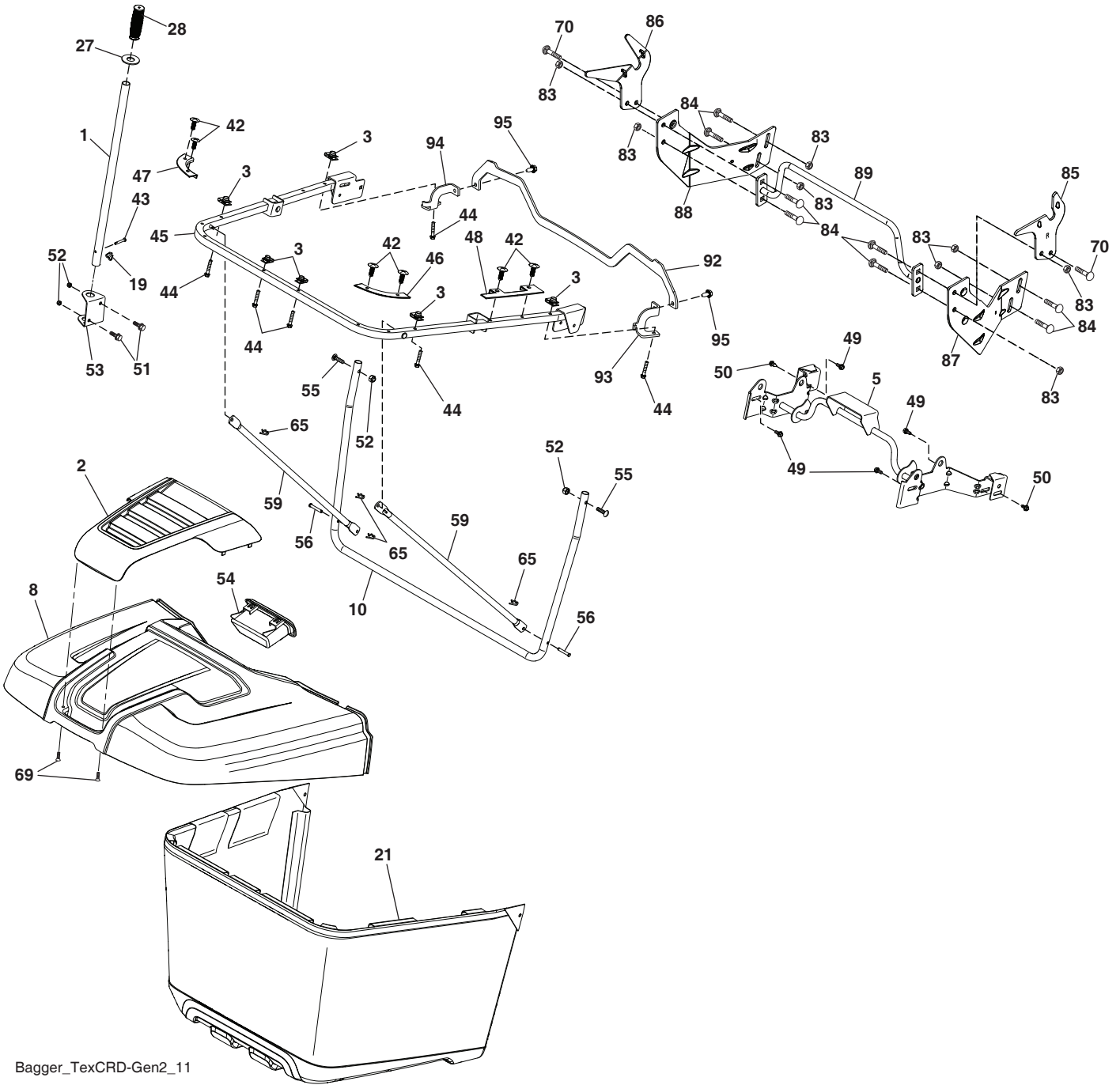
seat-tex_6.5SL_6_r1

KEY NO.	PART NO.	DESCRIPTION
1	588 55 67-01	Seat
2	532 18 01-66	Bracket Pivot Fender
3	532 14 06-75	Strap, Asm Fender
6	873 80 06-00	Nut, Lock W/Ins. 3/8-16 unc
7	589 48 35-01	Spring, Seat Cprsn
8	532 17 18-77	Bolt 5/16-18 unc x 3/4 w/Sems
10	596 65 74-02	Pan, Seat
21	587 90 78-01	Bolt, Shoulder 5/16-18 x 5/8

KEY NO.	PART NO.	DESCRIPTION
37	596 58 37-02	Nut, W/Nonmetal, Ins. Blk. Zinc
40	595 08 81-02	Handle, Seat, Slide, E-Dip, x 431
41	532 19 82-00	Spring Latch Seat
43	874 76 06-12	Bolt Fin Hex 3/8-16 unc x 3/4
44	501 05 18-01	Washer Winged

NOTE: All component dimensions given in U.S. inches
 1 inch = 25.4 mm

TRACTOR - MODEL NO. TC 342 (96051018600), PRODUCT NO. 960 51 01-86
BAGGER **46**



Bagger_TexCRD-Gen2_11

**TRACTOR - MODEL NO. TC 342 (96051018600), PRODUCT NO. 960 51 01-86
BAGGER 46**

KEY NO.	PART NO.	DESCRIPTION
1	532 42 86-10	Tube Handle Bagger
2	532 44 75-72	Applique
3	532 17 48-14	Clip
5	532 44 37-62	Upper Pivot Tube
8	532 44 75-75	Bagger Top
10	532 44 37-55	Frame Front
19	532 19 42-08	Cotter Pin 5/16 Bow Tie
21	581 33 71-03	Bag Asm
27	532 44 55-29	Grommet Rubber
28	532 16 57-87	Grip Handle
42	532 44 04-28	Clip
43	532 12 68-75	Clevis Pin
44	532 19 96-87	Bolt 1/4-20
45	532 44 37-54	Upper Frame
46	532 44 55-41	Bag Corner Close Out RH
47	532 44 40-79	Bag Corner Close Out LH
48	532 44 40-80	Top Bagger Side Close Out
49	532 17 18-73	Bolt Shoulder 5/16-18
50	532 17 18-77	Bolt 5/16-18 x 3/4 W/Sems
51	872 11 05-06	Bolt 5/16 x 18 x 3/4
52	596 58 37-02	Nut, Hex. 5/16-18 Nyloc. Blk. Zinc
53	532 44 41-95	Bracket Dump Handle
54	532 44 72-18	Bagger Top Front Handle
55	596 03 08-01	Bolt, Rdhd. Sq. 5/16-18 x 1 1/2 Gr. 5
56	532 42 03-06	Pin Clevis .183 x 1.26
59	532 44 47-63	Bagger Sprd Tube
65	532 00 44-97	Retainer, Spring 1" Zinc/Cad
69	532 42 18-01	Screw #8 Flat Head Drill
70	817 00 06-12	Screw 3/8-16 x 3/4
83	873 80 06-00	Nut Lock Hex w/Ins. 3/8-16 unc
84	596 72 82-01	Bolt, Carri. 3/8-16 x 1" Gr. 5
85	581 31 44-02	Bracket RH Pivot
86	581 31 43-02	Bracket LH Pivot
87	581 31 48-02	Bracket RH
88	581 31 47-02	Bracket LH
89	581 31 51-04	Weldment Offset Strut
92	586 05 23-02	Bracket Top Support
93	586 05 24-02	Bracket Support RH
94	586 05 25-02	Bracket Support LH
95	817 00 05-12	Screw 5/16-18 x 3/4

NOTE: All component dimensions given in U.S. inches
1 inch = 25.4 mm

