

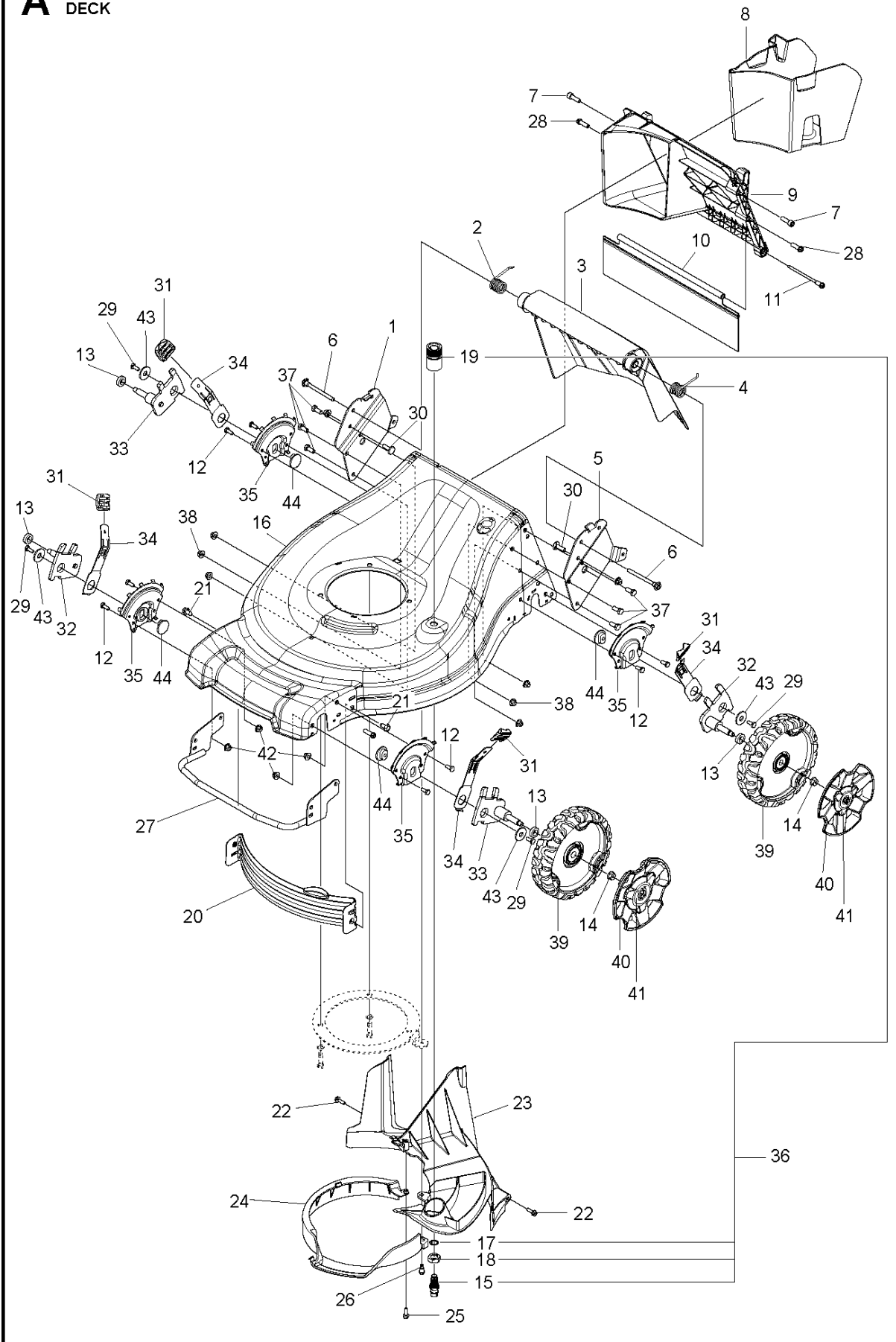


# SPARE PARTS LIST

LAWN MOWERS: CONSUMER  
WALK-BEHINDS

L421P, 96133003301, 2018-09

**A** L421P  
DECK

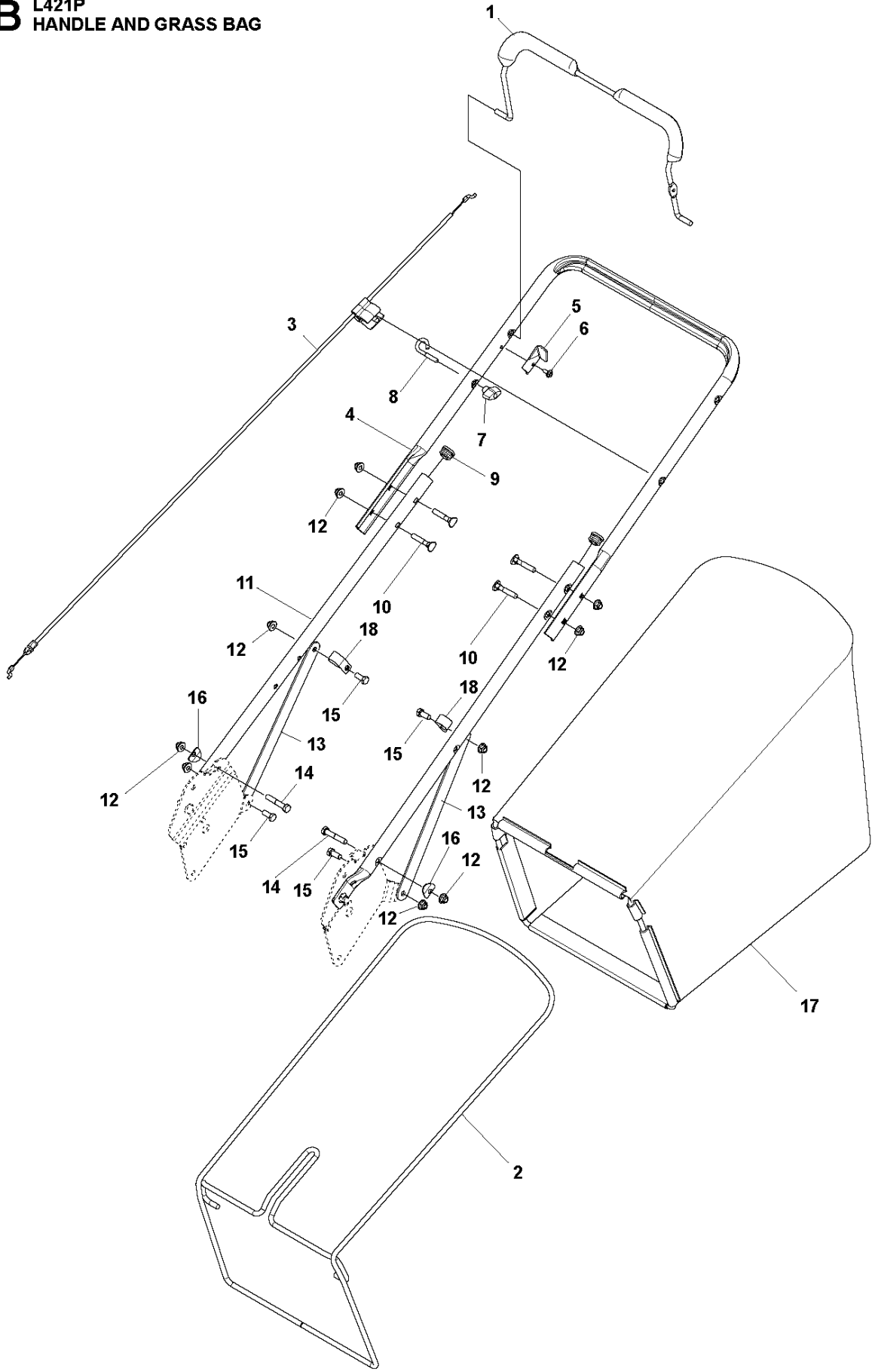


## MOWER DECK / CUTTING DECK

L421P, 96133003301, 2018-09

Ref	Part No	Description	Remark	QTY	KIT
1	590 56 05-02	HANDLE BRACKET	Handle, Right	1	
2	590 75 52-01	TORSION SPRING	Right, Door	1	
3	586 13 80-05	DOOR	Rear	1	
4	590 75 50-01	TORSION SPRING	Left, Door	1	
5	590 56 04-02	HANDLE BRACKET	Adjustable Handle, Left	1	
6	532 18 41-93	BOLT	Pivot. 3/8-16	2	
7	587 28 11-01	SCREW	Hi-Lo, 5/16-14 X T-45	2	
8	586 92 27-01	MULCHING PLUG		1	
9	586 13 75-01	INSERT	Rear	1	
10	586 69 88-01	GUARD	Rear	1	
11	587 43 82-01	SCREW	Hi-Lo, 5/16-14 X 4.10	1	
12	874 78 04-16	BOLT	1/4-20.	8	
13	532 19 74-80	O-RING		4	
14	532 40 91-48	NUT	Hex Flange, 3/8-16	4	
15	532 43 49-94	PORT	Zinc	1	36
16	588 61 02-32	HOUSING ASSY	"21"" Commercial"	1	
17	532 41 55-85	LOCKWASHER	Star	1	36
18	532 41 55-86	LOCKING NUT	Hex	1	36
19	532 41 64-05	COUPLING		1	36
20	586 69 86-01	BAFFLE	Front	1	
21	817 00 05-10	BOLT	Hex, 5/16	2	
22	587 59 98-01	SCREW	Hi-Lo, 13-16 X .750	2	
23	586 56 04-01	BELT COVER	Belt/Rear Baffle	1	
24	587 08 10-01	STRIPPER	Stripper	1	
25	587 59 98-01	SCREW	Hi-Lo, 13-16 X .750	1	
26	581 72 61-01	BOLT	Shoulder, 1/4-20 Tri-lobe	1	
27	590 55 99-05	BUMPER ASSY	Front (Gray)	1	
28	587 28 11-01	SCREW	Hi-Lo, 5/16 X 1.00	2	
29	874 78 06-16	BOLT	3/8-16 X 1.00 GR5 Hex	4	
30	872 11 05-10	BOLT	5/16-18 x 0.75, Carriage bolt	2	
31	532 70 10-37	KNOB	Ergonomic	4	
32	590 67 44-02	ARM	Axle arm RF/LR	2	
33	590 55 97-02	AXLE	Axle arm LF/RR	2	
34	587 00 06-05	SPRING	Selector spring	4	
35	587 00 04-07	ADJUSTER	HGT. adjuster	4	
36	532 42 11-14	WATER CONNECTOR	Kit	1	15, 17, 18, 19
37	874 78 05-12	SCREW	Screw	6	
38	532 42 79-42	NUT	Nut	6	
39	584 61 16-01	WHEEL ASSY		4	
40	584 15 93-01	HUB CAP		4	
41	584 15 94-01	NUT CAP		4	
42	532 43 81-30	NUT	1/4 .20 Hex F18	4	
43	819 13 20-12	WASHER	13/32 X 1-1/4 X 7/64 Thick Flat	4	
44	594 01 97-01	AXLE	HGT. adjuster	4	

**B** L421P  
HANDLE AND GRASS BAG

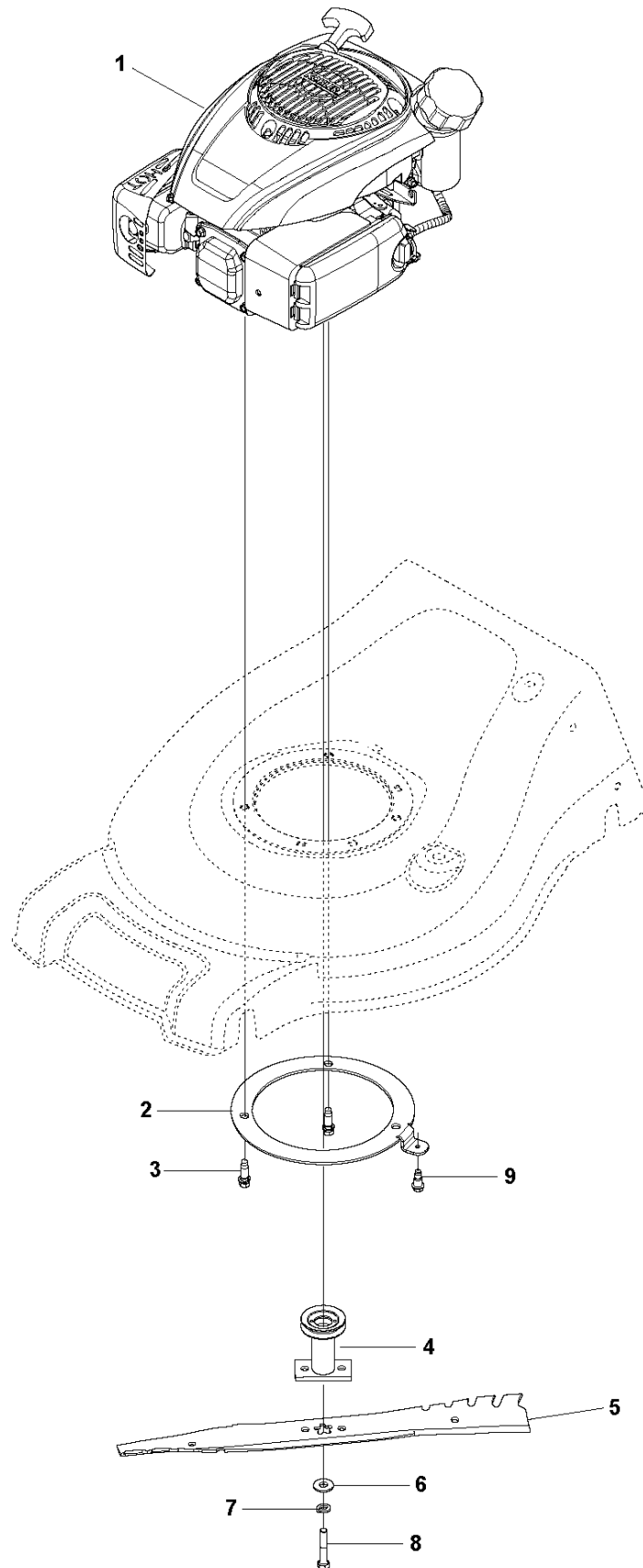


## HANDLE

L421P, 96133003301, 2018-09

Ref	Part No	Description	Remark	QTY KIT
1	587 47 83-02	BAIL ARM ASSY	Straight, Over-molded, Operator Presence	1
2	586 92 91-02	BAG FRAME	Grass Bag	1
3	532 44 03-85	CABLE	Operator Presence Bail	1
4	589 19 79-05	HANDLEBAR	Straight	1
5	532 43 00-34	BRACKET	Upstop	1
6	532 17 88-48	SCREW	10-16 X 5/8	1
7	581 91 26-01	KNOB	T, Rope Guide	1
8	581 90 21-01	GUIDE	Rope	1
9	532 43 75-16	PLUG	Plastic, 7/8, 14-20 Gauge	2
10	532 19 15-74	HANDLE BOLT	Concave Head, Retaining	4
11	590 68 63-02	HANDLE	Lower 2 piece, 3 Position	2
12	532 42 79-42	NUT	5/16-18 Locknut	4
13	590 56 06-02	BRACE	Diagonal handle	2
14	874 78 05-28	BOLT	Hex, 5/16-18 X 1.75	2
15	592 94 54-01	BOLT	5/16-18 x 0.75, Grade 8	2
16	592 80 84-01	WASHER	Curved washer, 5/16	2
17	587 10 04-08	GRASS BAG ASSY	"Husqvarna 21""	1
18	590 68 68-01	CLAMP	7/8 Loop clamp	2

**C** L421P  
ENGINE



## ENGINE

L421P, 96133003301, 2018-09

Ref	Part No	Description	Remark	QTY KIT
1	000 00 00-00	W/O DESCRIPTION	Kohler HD 775 For service and parts 1-800-544-2444	1
2	591 10 11-02	MOUNTING PLATE	Engine	1
3	532 15 04-06	BOLT	Engine, 3/8-16	2
4	590 04 42-01	ADAPTER	"7/8 21""	1
5	586 85 96-02	BLADE	High Lift	1
6	532 85 10-74	WASHER	Hardened	1
7	532 85 02-63	WASHER	3/8, Helical Spring	1
8	582 38 84-01	BOLT	Hex Head Machine Screw	1
9	581 72 61-01	BOLT	Shoulder, 1/4-20 Tri-lobe	1