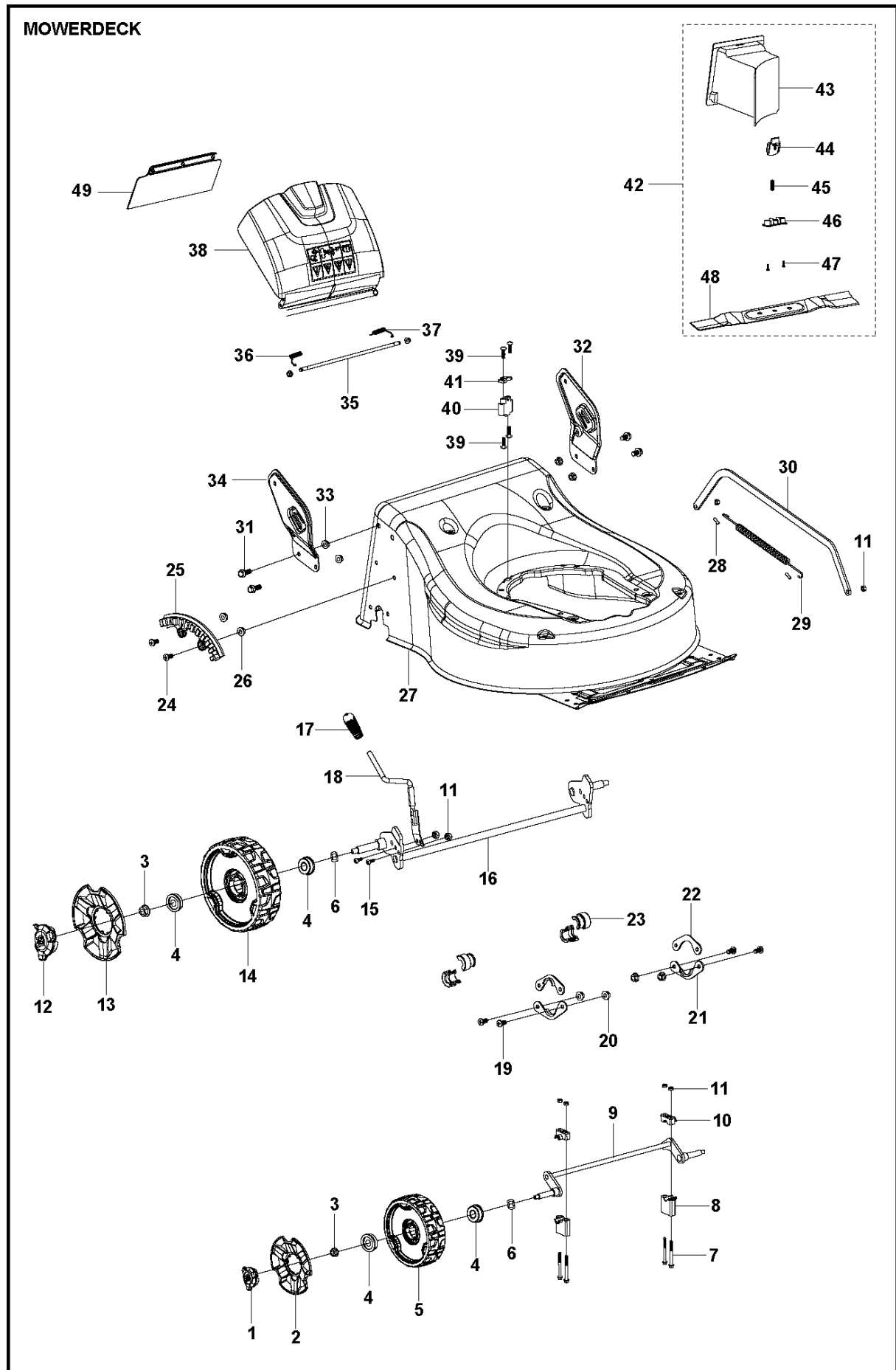




# SPARE PARTS LIST

LAWN MOWERS: CONSUMER  
WALK-BEHINDS

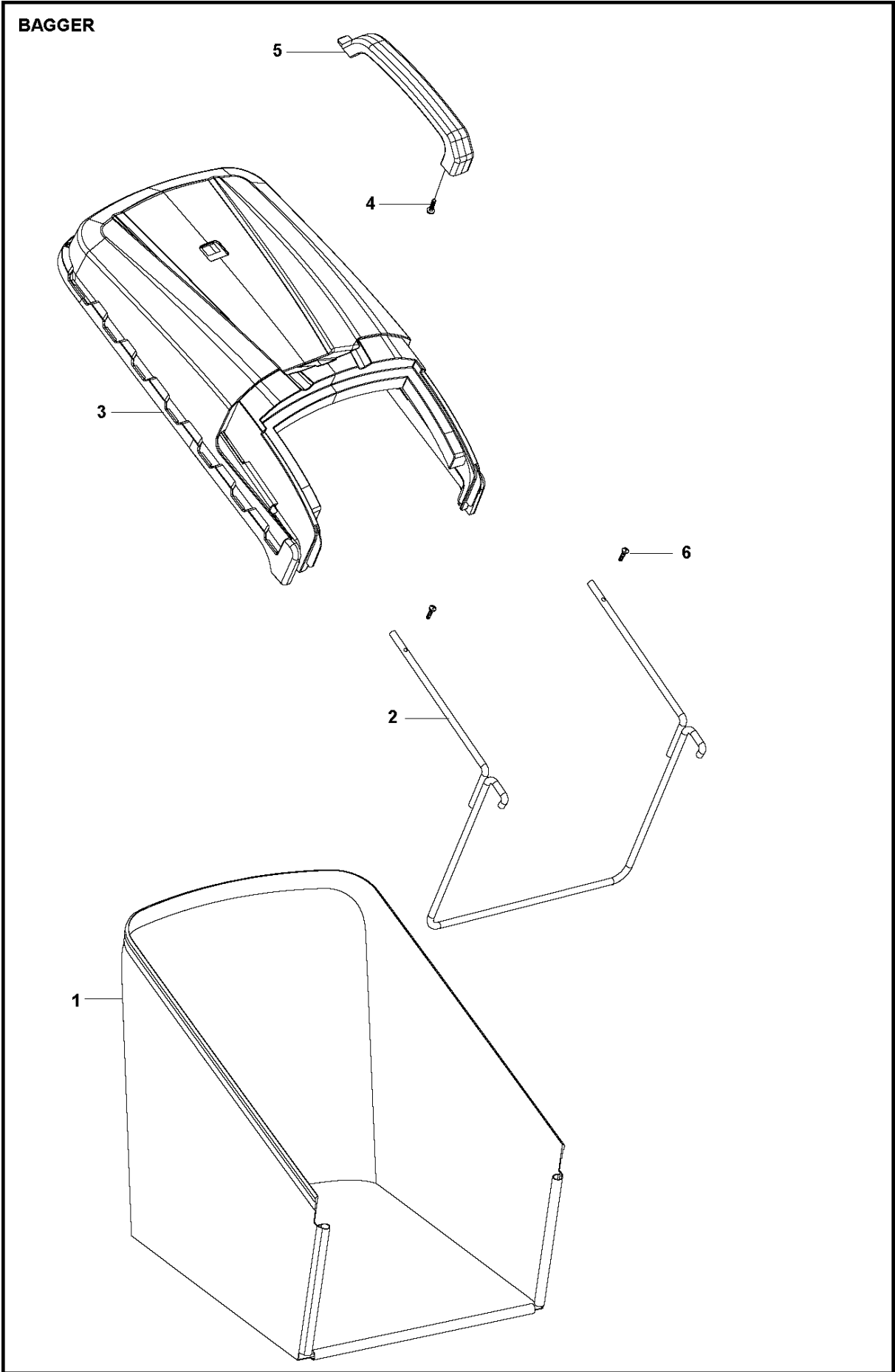
LE116P, 967628404, 2018-02



## MOWER DECK / CUTTING DECK

LE116P, 967628404, 2018-02

Ref	Part No	Description	Remark	QTY	KIT
1	587 58 50-01	WHEEL COVER		2	
2	501 49 15-01	COVER		2	
3	587 91 35-01	LOCKING BOLT		4	
4	587 91 29-01	BEARING		8	
5	501 49 16-01	WHEEL ASSY		2	
6	587 91 46-01	WASHER		4	
7	579 68 46-01	BOLT		4	
8	579 68 47-01	SUPPORT		2	
9	579 68 48-01	FRONT AXLE ASSY		1	
10	579 68 49-01	SUPPORT		2	
11	587 91 31-01	LOCKING BOLT		8	
12	587 58 51-01	WHEEL COVER		2	
13	587 58 53-01	WHEEL COVER		2	
14	587 91 80-01	WHEEL		2	
15	587 91 27-01	WASHER		2	
16	579 68 50-01	REAR AXLE ASSY		1	
17	587 58 57-01	KNOB		1	
18	502 50 27-01	HANDLE ASSY		1	
19	587 91 26-01	SCREW		4	
20	587 91 34-01	LOCK NUT		6	
21	587 91 09-01	FIXING PLATE		2	
22	587 99 24-01	FIXING PLATE		2	
23	587 91 79-01	COVER		2	
24	579 68 51-01	BOLT		2	
25	587 90 99-01	SEGMENT		1	
26	579 68 52-01	NUT		2	
27	579 68 54-01	DECK		1	
28	587 91 58-01	TUBING		2	
29	587 91 49-01	SPRING		1	
30	579 68 53-01	CONNECTING ROD		1	
31	587 91 39-01	BOLT		4	
32	579 68 81-01	BRACKET		1	
33	579 68 79-01	NUT		4	
34	501 05 44-01	BRACKET		1	
35	502 23 10-01	ROD		1	
36	587 91 51-01	SPRING		1	
37	587 91 50-01	BRACKET		1	
38	501 49 20-01	COVER		1	
39	579 68 55-01	SCREW		4	
40	579 68 56-01	BRACKET		1	
41	579 68 57-01	PLATE		1	
42	579 68 94-01	MULCHING KIT		1	
43	579 85 70-01	PLUG		1	42
44	579 68 93-01	BUTTON		1	42
45	579 68 92-01	SPRING		1	42
46	579 68 91-01	PLATE		1	42
47	579 68 67-01	SCREW		2	42
48	579 85 69-01	BLADE		1	42
49	595 07 75-01	COVER KIT		1	



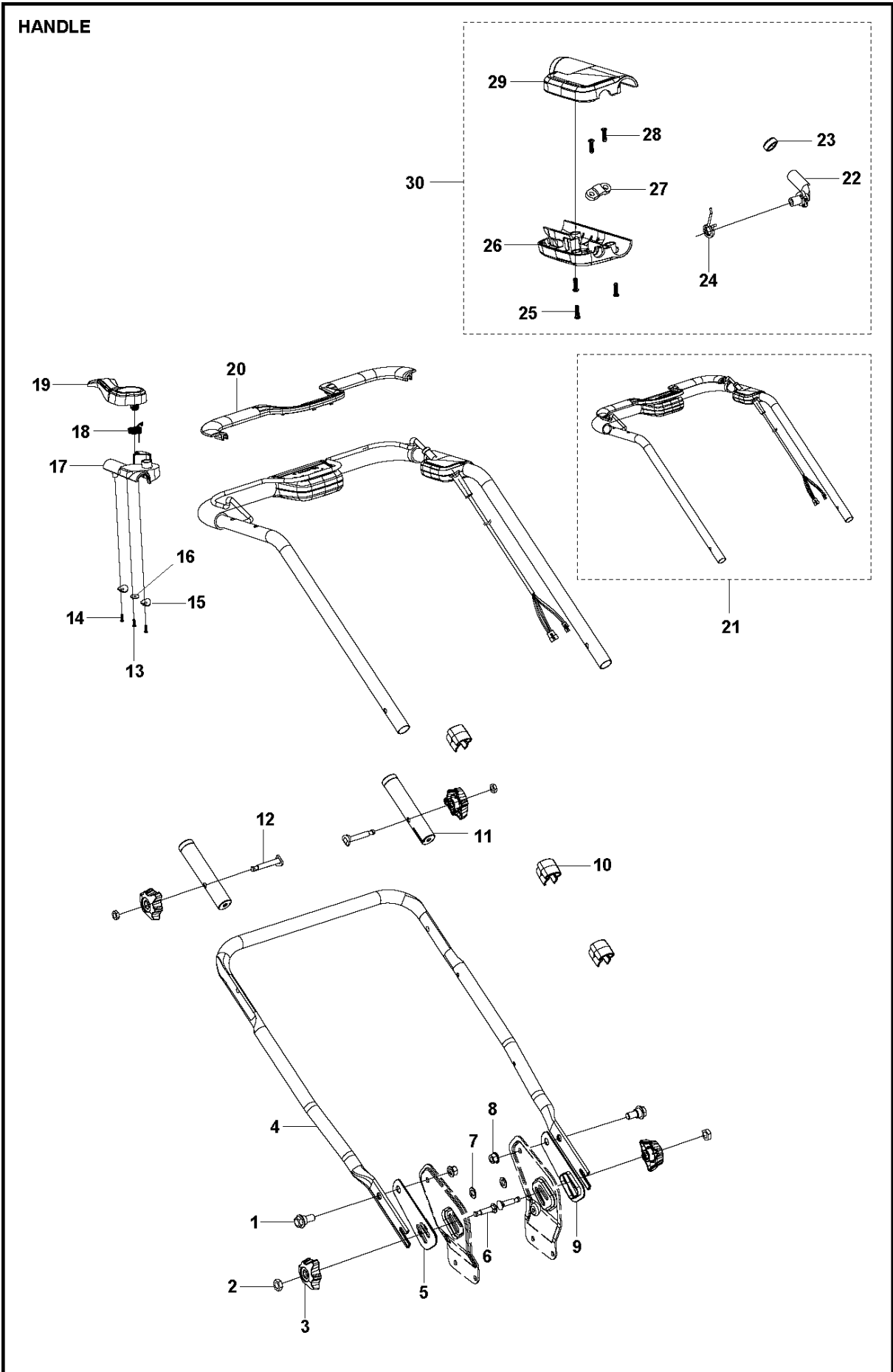
Ref	Part No	Description	Remark	QTY KIT
1	587 58 63-01	GRASSBAG		1
2	587 91 18-01	BRACKET		1
3	587 58 60-01	COVER		1
4	587 91 23-01	SCREW		1
5	587 58 61-01	HANDLE		1
6	579 68 67-01	SCREW		2



## MOTOR

LE116P, 967628404, 2018-02

Ref	Part No	Description	Remark	QTY KIT
1	579 68 41-01	BOLT		1
2	579 68 42-01	SPRING WASHER		1
3	579 68 43-01	WASHER		1
4	501 17 16-01	MOWER BLADE		1
5	579 68 45-01	BLADE SUPPORT		1
6	579 68 58-01	NUT		4
7	579 68 59-01	HOLDER		1
8	579 68 60-01	WASHER		4
9	579 68 61-01	BOLT		4
10	579 68 62-01	MOTOR		1
11	579 68 63-01	SCREW		4
12	579 68 64-01	ELECTRONIC BOX		1
13	579 68 65-01	WASHER		3
14	579 68 55-01	SCREW		16
15	579 68 66-02	WIRE		1
16	579 68 68-01	PLATE		1
17	582 02 92-01	RELAY		1
18	579 68 69-01	KEY SWITCH		1
19	501 48 96-01	BOX		1
20	579 68 70-01	SPRING		2
21	501 49 02-01	CAP		2
22	501 49 01-01	KEY		1
23	501 48 85-01	COVER		1
24	501 48 87-01	COVER		1
25	501 48 84-01	COVER		1
26	579 68 67-01	SCREW		8
27	501 48 88-01	COVER		1
28	579 68 71-01	WIRE		1
29	501 48 83-01	COVER		1
30	579 68 75-01	SCREW		12
31	501 48 95-01	COVER		1
32	579 84 39-01	WEIGHT		1
33	579 68 76-01	WASHER		4
34	501 48 89-01	COVER		1
35	501 48 91-01	DECAL		1
36	579 68 77-01	TORSION SPRING		1
37	501 48 98-01	HINGE		2
38	579 68 78-01	TORSION SPRING		1





## HANDLE

LE116P, 967628404, 2018-02

Ref	Part No	Description	Remark	QTY KIT
1	502 42 99-01	BOLT		2
2	587 91 33-01	HEXAGON NUT		4
3	587 58 58-01	KNOB		4
4	579 68 80-01	HANDLEBAR		1
5	501 05 56-01	PLATE		1
6	502 25 99-01	BOLT		2
7	502 25 87-01	SPACER RING		2
8	587 91 35-01	LOCKING BOLT		2
9	501 05 55-01	PLATE		1
10	501 05 57-01	HOLDER		3
11	501 05 54-01	COVER		2
12	502 40 21-01	BOLT		2
13	579 68 67-01	SCREW		1
14	579 68 75-01	SCREW		2
15	579 68 87-01	WASHER		2
16	579 68 65-01	WASHER		1
17	501 49 03-01	HOLDER		1
18	579 68 88-01	TORSION SPRING		1
19	501 49 04-01	COVER		1
20	501 49 13-01	COVER		1
21	589 96 93-01	HANDLE KIT		1
22	501 49 06-01	COVER		1
23	579 68 84-01	BAIL ARM ASSY		1
24	579 68 83-01	TORSION SPRING		1
25	579 68 67-01	SCREW		3
26	501 48 90-01	COVER		1
27	579 68 57-01	PLATE		1
28	579 68 55-01	SCREW		2
29	579 83 70-01	COVER		1
30	590 16 01-01	SWITCH KIT		1