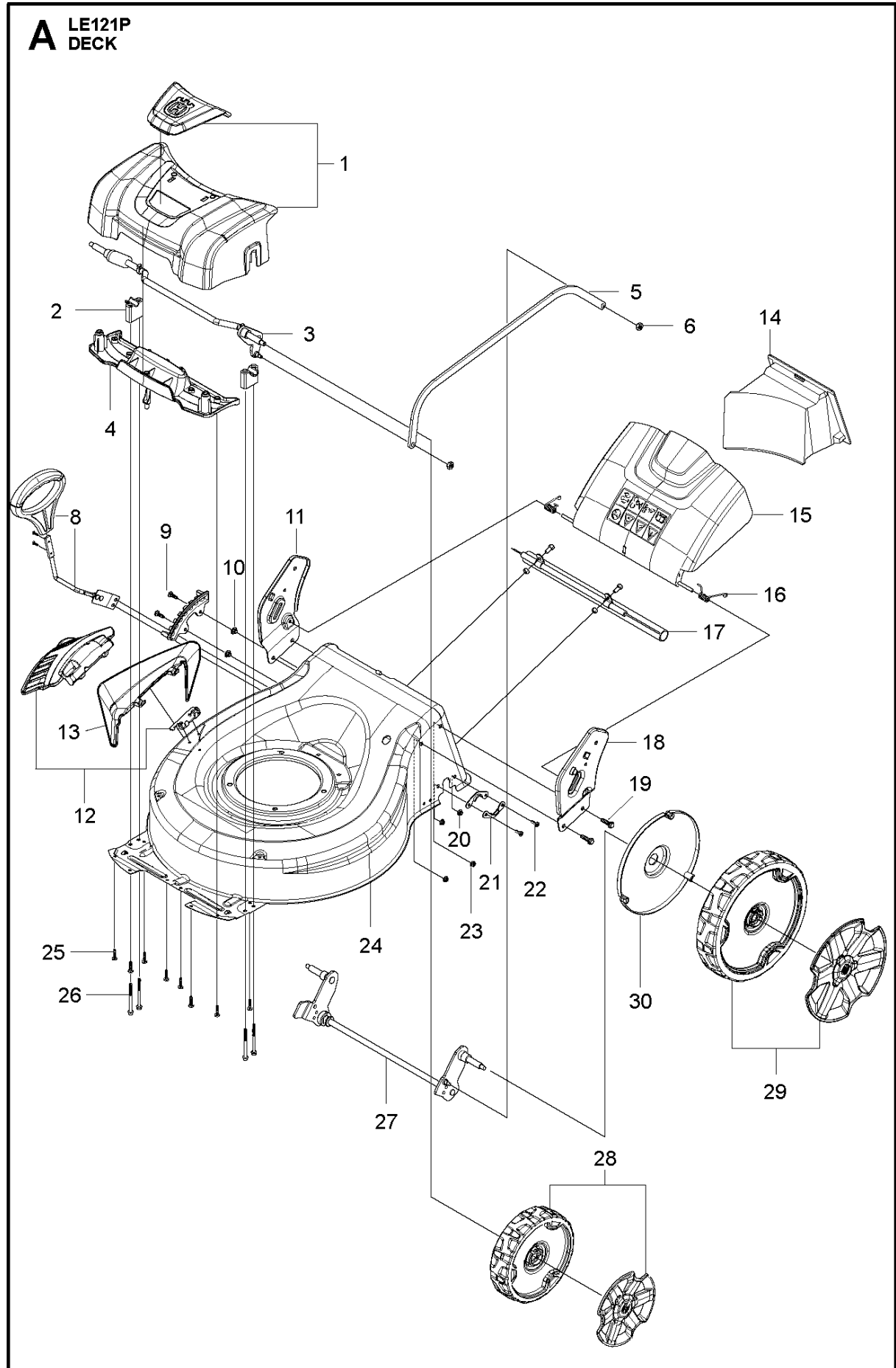




SPARE PARTS LIST

LAWN MOWERS: CONSUMER
WALK-BEHINDS

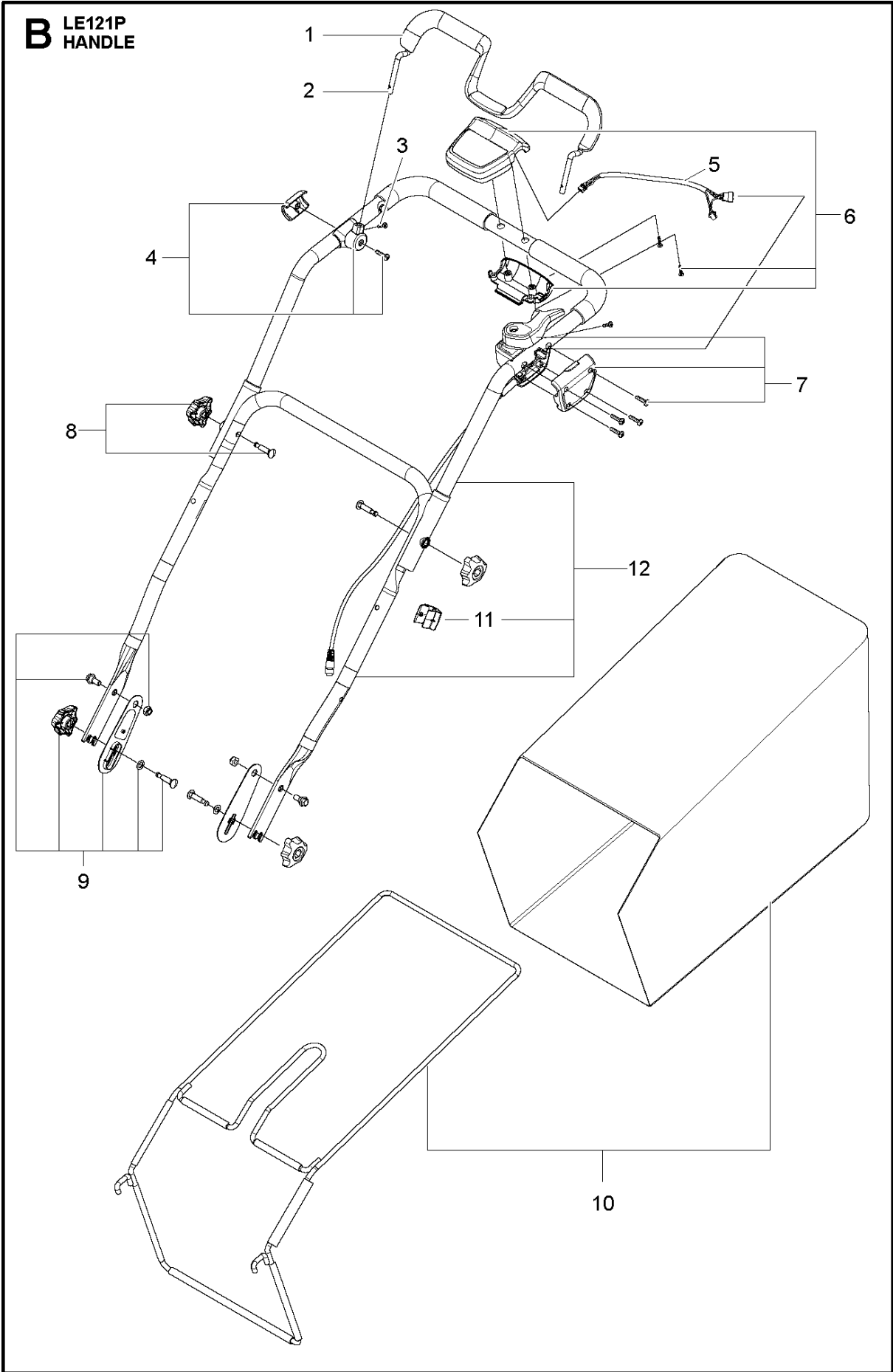
LE121 P, 967682502, 2018-01



MOWER DECK / CUTTING DECK

LE121 P, 967682502, 2018-01

Ref	Part No	Description	Remark	QTY KIT
1	593 29 11-01	FRONT COVER ASSY	Front cover upper	1
2	593 29 21-01	BRACKET	Front axle	2
3	593 29 29-01	WHEEL AXLE	Suspension	1
4	591 43 04-01	COVER	Front cover low	1
5	593 29 30-01	ROD	Suspension	1
6	587 91 31-01	LOCKING BOLT	M6	2
8	593 31 01-02	LEVER ASSY	Height adjustment handle	1
9	593 73 03-01	SCREW	Machined M6*12	2
10	582 79 46-01	LOCK NUT	M6 hex flange locking	2
11	591 43 15-01	HANDLE SUPPORT	Right side	1
12	593 29 34-01	HATCH	Side discharge	1
13	593 29 33-01	DEFLECTOR	Side discharge	1
14	593 29 35-01	MULCH PLUG		1
15	591 43 03-01	HATCH	Rear discharge	1
16	593 29 36-01	SPRING	Rear discharge hatch	2
17	593 29 37-01	FLAP	Rear tail	1
18	591 43 14-01	HANDLE SUPPORT	Left side	1
19	587 91 39-01	BOLT		4
20	582 79 46-01	LOCK NUT		2
21	593 31 03-01	BRACKET	rear axle bracket assy	2
22	587 91 26-01	SCREW		4
23	587 91 35-01	LOCKING BOLT		4
24	593 29 39-01	CHASSIS	Deck assy	1
25	592 97 38-01	SCREW		8
26	593 75 54-01	SCREW		4
27	593 29 43-01	WHEEL AXLE	Suspension	1
28	593 73 63-01	WHEEL ASSY	Front	2
29	593 73 65-01	WHEEL ASSY	Rear, push	2
30	591 43 97-01	DUST COVER	"20"" mower"	2

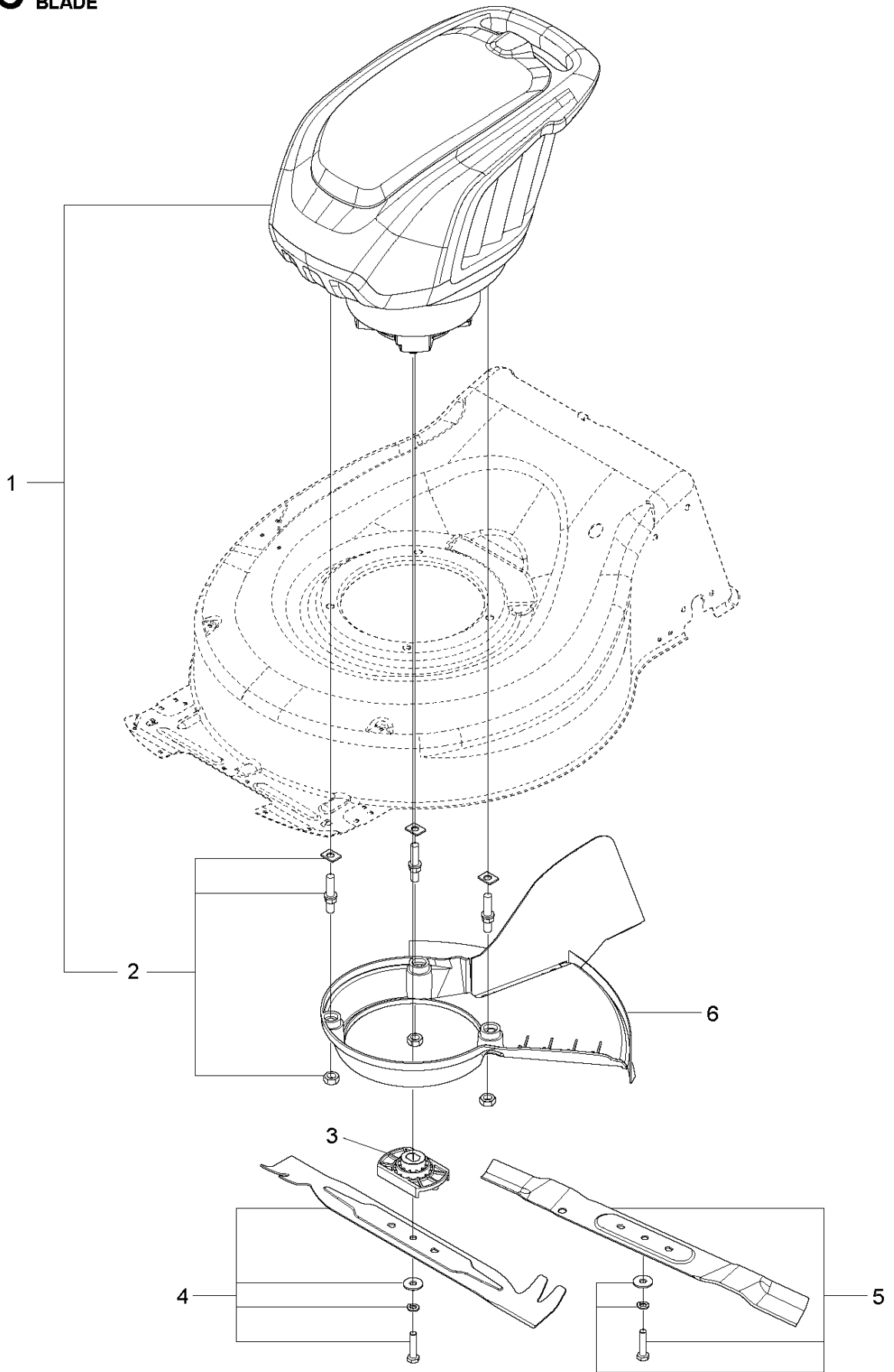


HANDLE

LE121 P, 967682502, 2018-01

Ref	Part No	Description	Remark	QTY KIT	
1	590 59 38-01	GRIP	Bail ergonomic grip	1	
2	590 59 39-02	BAIL	OPC bail	1	
3	593 19 87-01	DRIVE SCREW	M4 bail screw	2	
4	593 11 87-01	BAIL ARM ASSY	Spare part assy	1	
5	593 19 86-01	EXTENSION CABLE	Control board cable	1	
6	593 30 07-01	CONTROL BOARD	LE Push	1	
7	593 11 79-01	SWITCHBOX ASSY	Spare part assy	1	
8	593 29 73-01	KNOB	Knob assy upper	2	
9	593 73 68-01	KNOB ASSY	Handle-chassy fastening assy	2	
10	593 73 80-01	GRASS BAG ASSY	Grassbag, 593297601 + frame, 593297501	1	
11	591 08 64-01	CABLE HOLDER	Handle clip	1	12
12	593 73 75-01	HANDLE ASSY	Upper & lower handle + grip + clamp	1	11

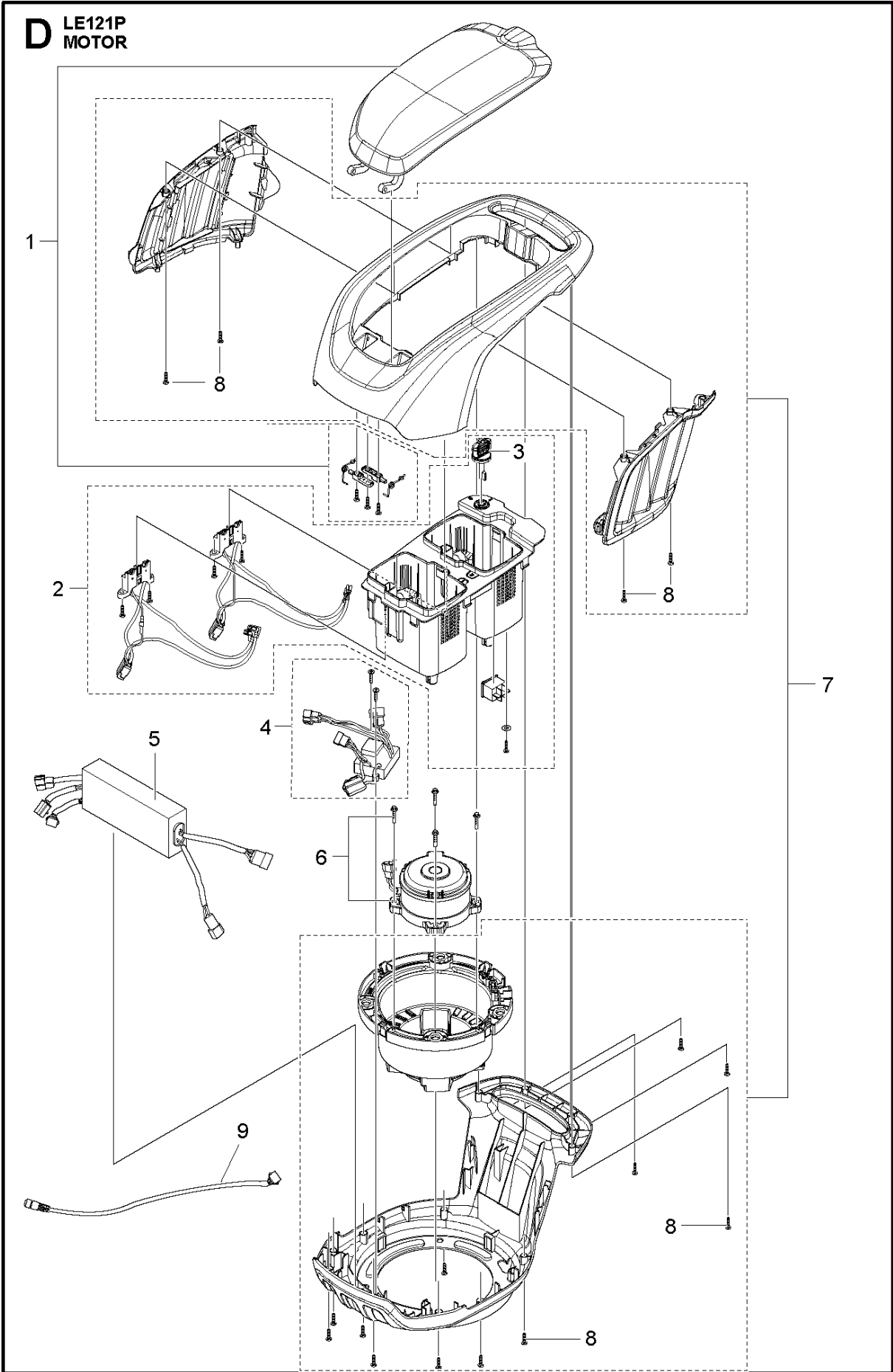
C LE121P
BLADE



BLADE MOTOR & CUTTING EQUIPMENT

LE121 P, 967682502, 2018-01

Ref	Part No	Description	Remark	QTY	KIT
1	593 30 01-01	POWER UNIT	Powerhead assy	1	1
2	593 73 77-01	SCREW KIT	DAYE POS 137+138+139	2	2
3	591 08 43-01	BLADE SUPPORT	Transmission system	1	
4	593 73 82-02	BLADE KIT	"20"" Collect blade with fasteners"	1	
5	593 73 82-01	BLADE KIT	"20"" Mulch blade with fasteners"	1	
6	591 43 87-01	BELT COVER	For 20 inch mower	1	



MOTOR

LE121 P, 967682502, 2018-01

Ref	Part No	Description	Remark	QTY KIT
1	593 12 43-01	LID ASSY	Battery pocket lid	1
2	593 12 45-01	BATTERY BOX	Battery pocket assy	1
3	501 49 01-01	KEY	battery pocket key	1
4	593 13 36-01	CONTACT PLATE	Control plate assy	1
5	593 30 03-01	CONTROL UNIT		1
6	593 78 38-01	SCREW KIT	Brushless motor 900W	4
7	593 20 39-01	ENGINE HOOD ASSY	Power unit plastic cover assy	1
8	593 75 55-01	SCREW	Engine hood screws	16
9	593 78 39-01	CABLE	To handle	1